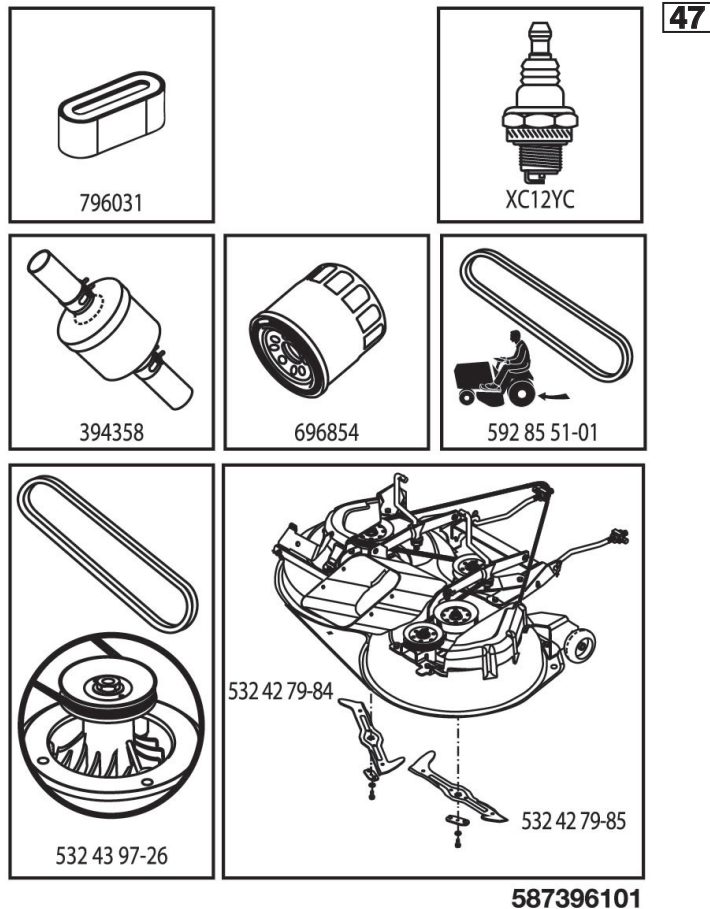


ILLUSTRATED PARTS LIST

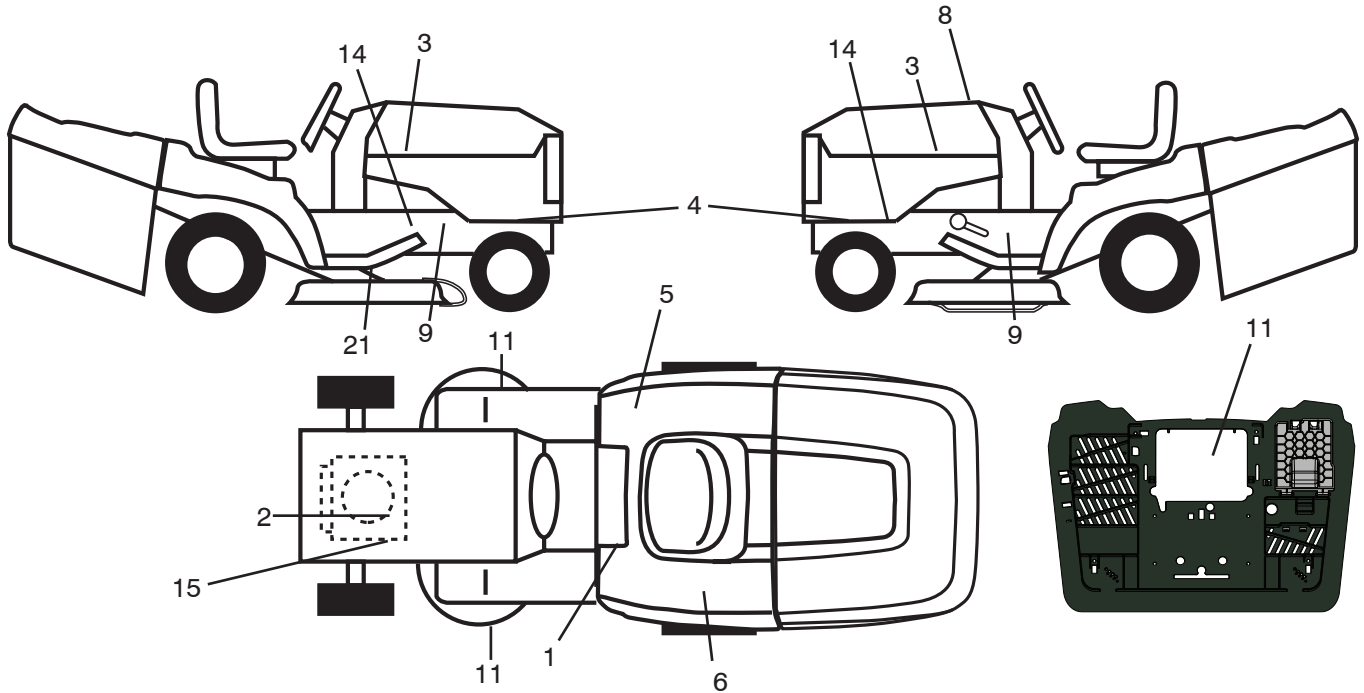
MODEL NO. 96051012402

CUSTOMER CATALOG NO. TC 138

PRODUCT NO. 960 51 01-24



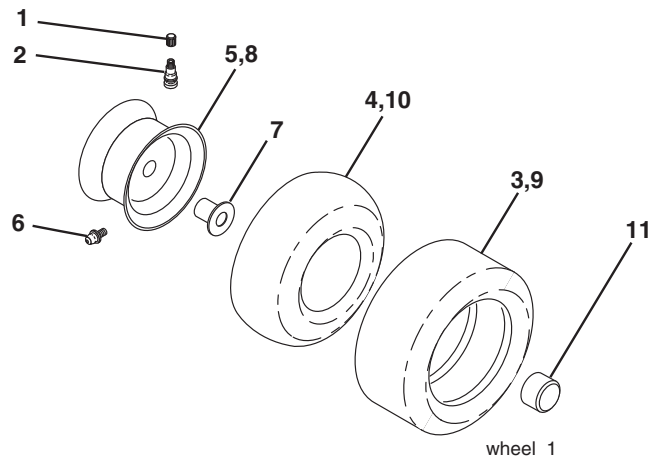
TRACTOR -- MODEL NO. TC 138 (96051012402), PRODUCT NO. 960 51 01-24
DECALS 27



| KEY NO. | PART NO. | DESCRIPTION |
|---------|--------------|--------------------------------|
| 1 | 581 57 83-01 | Decal, Warning |
| 2 | 581 57 97-01 | Decal, Warning Eng. Sym. |
| 3 | 581 62 73-01 | Decal, Hood RH/LH |
| 4 | 587 40 71-01 | Decal, Side Panel |
| 5 | 586 06 62-01 | Decal, Snowflake |
| 6 | 588 04 97-01 | Decal, 100 DB/CE |
| 8 | 587 39 61-01 | Decal, Replacement |
| 9 | 581 57 98-01 | Decal, Warning |
| 11 | 581 57 91-01 | Decal, Mower Cut Finger Symbol |
| 14 | 581 57 96-01 | Decal, Chassis Hot Muffler |

| KEY NO. | PART NO. | DESCRIPTION |
|---------|--------------|----------------------------|
| 15 | 587 73 12-01 | Decal, Engine BS |
| 21 | 532 44 11-89 | Decal, Belt Sch CRD |
| -- | 532 44 27-44 | Decal, Battery |
| -- | 532 44 14-10 | Pad Footrest RH |
| -- | 532 44 14-09 | Pad Footrest LH |
| -- | 532 44 46-19 | Decal, Bypass |
| -- | 115 77 31-40 | Manual Operator's (Euro) |
| -- | 115 77 32-50 | Manual Operator's (Scan) |
| -- | 115 77 33-20 | Manual Operator's (E-Bloc) |
| -- | 115 77 34-30 | Manual Operator's (Baltic) |

WHEELS & TIRES



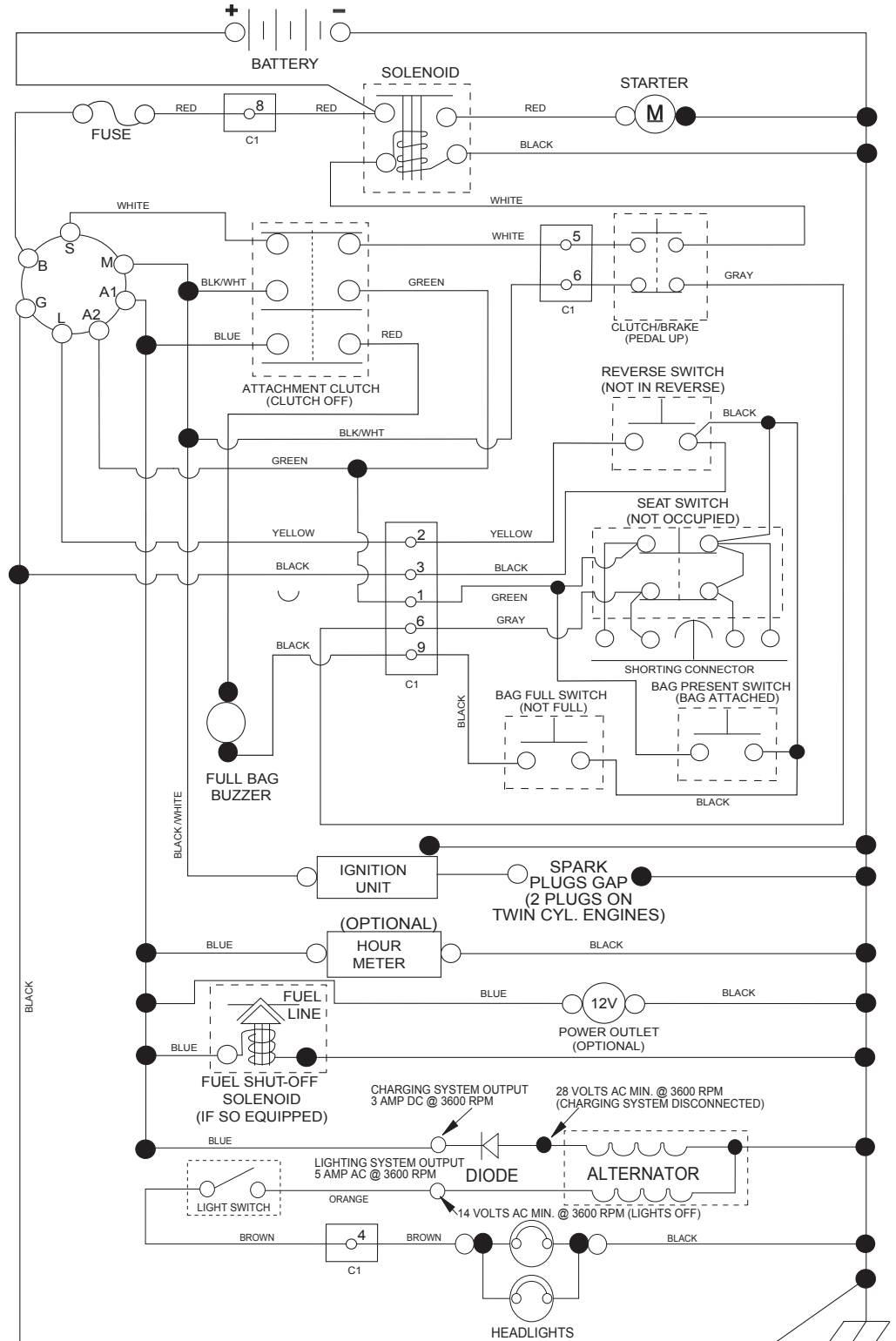
| KEY NO. | PART NO. | DESCRIPTION |
|---------|--------------|-----------------------------|
| 1 | 532 05 91-92 | Cap Valve Tire |
| 2 | 532 06 51-39 | Stem Valve |
| 3 | 532 10 62-22 | Tire Front 15 x 6-6 |
| 4 | 532 05 99-04 | Tube Inner Front #35060 |
| 5 | 532 13 83-36 | Rim Asm 6" Front |
| 6 | 532 12 49-57 | Fitting Grease |
| 7 | 532 12 49-59 | Bearing Flange |
| 8 | 532 13 83-37 | Rim Asm 8" Rear |
| 9 | 532 12 46-35 | Tire Rear 18 x 8.5-8 |
| 10 | 532 12 49-26 | Tube Rear 8.5 x 8 |
| 11 | 532 17 50-39 | Cap Axle |
| -- | 532 14 43-34 | Sealant, Tire (10 oz. Tube) |

NOTE: All component dimensions given in U.S. inches
 1 inch = 25.4 mm

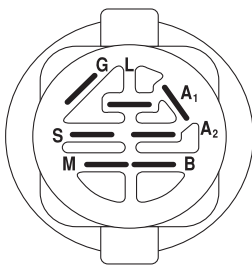
TRACTOR - - MODEL NO. TC 138 (96051012402), PRODUCT NO. 960 51 01-24

SCHEMATIC 38

SCH17

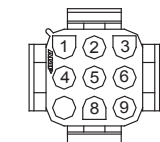


NOTE
 YOUR TRACTOR IS EQUIPPED WITH A SPECIAL ALTERNATOR SYSTEM. THE LIGHTS ARE NOT CONNECTED TO THE BATTERY, BUT HAVE THEIR OWN ELECTRICAL SOURCE. BECAUSE OF THIS, THE BRIGHTNESS OF THE LIGHTS WILL CHANGE WITH ENGINE SPEED. AT IDLE THE LIGHTS WILL DIM. AS THE ENGINE SPEED IS INCREASED, THE LIGHTS WILL BECOME THEIR BRIGHTEST.

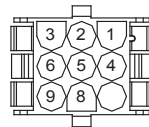


IGNITION SWITCH

| POSITION | CIRCUIT | "MAKE" |
|--------------|------------|--------|
| OFF | M+G+A1 | |
| RUN/OVERRIDE | B+A1 | |
| RUN | B+A1 | L+A2 |
| START | B + S + A1 | |



CHASSIS HARNESS CONNECTOR (C1) (MATING SIDE)



DASH HARNESS CONNECTOR (C1) (MATING SIDE)

WIRING INSULATED CLIPS
 NOTE: IF WIRING INSULATED CLIPS WERE REMOVED FOR SERVICING OF UNIT, THEY SHOULD BE RE-INSTALLED TO PROPERLY SECURE YOUR WIRING.

●
 NON-REMOVABLE CONNECTIONS

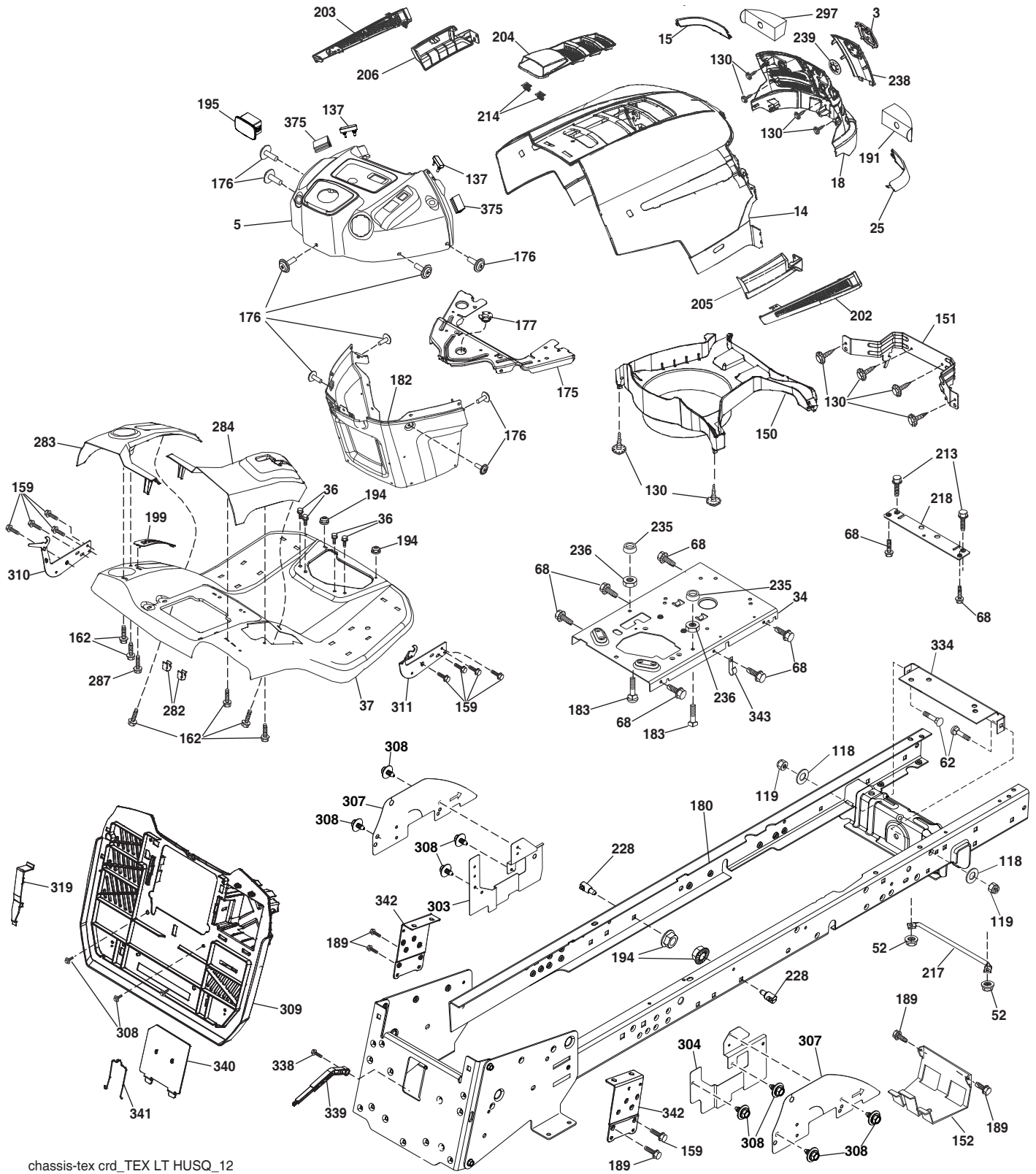
○
 REMOVABLE CONNECTIONS

**TRACTOR - - MODEL NO. TC 138 (96051012402), PRODUCT NO. 960 51 01-24
ELECTRICAL 32**

| KEY NO. | PART NO. | DESCRIPTION |
|--------------------|---------------------|--------------------------------|
| 1 | 532 43 71-57 | Battery |
| 2 | 532 44 09-23 | Screw Hex Hd Cap M6 x 1.12mm |
| 16 | 532 17 61-38 | Switch Interlock |
| 21 | 532 40 02-52 | Harness Asm Light w/4152J |
| 22 | 532 00 41-52 | Bulb Light #1156 |
| 25 | 581 48 98-01 | Cable Battery Red |
| 26 | 532 17 51-58 | Fuse |
| 27 | 873 51 04-00 | Nut Keps Hex 1/4-20 unc |
| 28 | 581 48 98-02 | Cable Ground Black |
| 29 | 532 40 15-45 | Switch Seat |
| 30 | 532 19 33-50 | Switch Ignition |
| 33 | 532 41 19-35 | Key/Chain |
| 34 | 532 11 07-12 | Switch Light |
| 40 | 585 84 99-01 | Harness Ignition Dash |
| 43 | 532 19 25-07 | Solenoid |
| 55 | 817 06 05-12 | Screw 5/16-18 x 3/4 |
| 71 | 587 26 87-01 | Harness Chassis |
| 79 | 532 17 52-42 | Socket Asm. |
| 83 | 532 43 67-74 | Nut Square M6 x 1 x 8.5 x 11mm |
| 87 | 532 42 10-60 | Switch Railmount |
| 99 | 817 00 05-12 | Screw 5/16-18 x 3/4 |
| 102 | 532 44 12-62 | Harness Jumper |
| 105 | 532 40 75-68 | Switch Reverse |
| 107 | 532 18 03-79 | Switch Full Bagger Indicator |
| 108 | 532 42 10-62 | Switch Snapmount |
| 142 | 583 85 78-01 | Charge Port Pigtail |
| 143 | 532 44 80-59 | Charge Port |

NOTE: All component dimensions given in U.S. inches
1 inch = 25.4 mm

TRACTOR - - MODEL NO. TC 138 (96051012402), PRODUCT NO. 960 51 01-24
CHASSIS AND ENCLOSURES **39**



chassis-tex crd_TEX LT HUSQ_12

**TRACTOR - - MODEL NO. TC 138 (96051012402), PRODUCT NO. 960 51 01-24
CHASSIS AND ENCLOSURES 39**

| KEY NO. | PART NO. | DESCRIPTION | KEY NO. | PART NO. | DESCRIPTION |
|------------|--------------|------------------------------------|------------|--------------|----------------------------------|
| 3 | 581 05 63-01 | Logo | 213 | 874 76 05-12 | Bolt Hex HD 5/16-18 unc 3/4 |
| 5 | 585 52 98-06 | Dash | 214 | 532 19 91-45 | Clip Retainer |
| 14 | 532 44 12-67 | Hood | 217 | 532 40 91-67 | Rod Pivot Hood |
| 15 | 532 44 14-28 | Lens LH | 218 | 532 19 63-95 | X-Piece Hood Stop |
| 18 | 532 44 13-68 | Grille | 228 | 532 19 51-61 | Stud Fastener |
| 25 | 532 44 14-27 | Lens RH | 235 | 532 40 61-29 | Spacer Fender |
| 34 | 580 91 09-01 | Plate Engine | 236 | 873 93 05 00 | Nut Center Lock 5/16-18 unc |
| 36 | 817 06 05-12 | Screw 5/16-18 x 3/4 | 238 | 532 44 13-74 | Trim |
| 37 | 532 44 13-69 | Fender | 239 | 532 40 48-83 | Clip Tinnerman |
| 52 | 873 68 05-00 | Nut Crownlock 5/16-18 | 282 | 532 41 41-10 | Clip Retainer |
| 62 | 872 11 06-08 | Bolt 3/8-16 x 1 Gr. 5 | 283 | 532 44 05-31 | Console Deck Lift |
| 68 | 817 49 05-08 | Screw Thdrol. 5/16-18 x 1/2 | 284 | 532 44 05-30 | Console Shift RH |
| 118 | 819 13 13-16 | Washer 13/32 x 13/16 x 16 | 287 | 817 60 04-06 | Screw Hex Washhead. 1/4-20 x 3/8 |
| 119 | 873 68 06-00 | Nut Crown Lock | 297 | 532 40 66-65 | Insert Reflective LH |
| 130 | 532 41 63-58 | Screw #10 x .750 BOS Thread | 303 | 587 49 31-01 | Shield LH |
| 137 | 532 40 75-90 | Bumper Dash | 304 | 587 49 33-01 | Shield RH |
| 150 | 532 40 66-62 | Air Duct | 307 | 587 49 45-01 | Shield Upper |
| 151 | 532 40 78-07 | Bracket Pivot | 308 | 532 17 18-77 | Bolt 5/16-18 unc x 3/4 |
| 152 | 532 19 95-35 | Shield Browning | 309 | 584 44 11-01 | Backplate |
| 162 | 532 14 24-32 | Screw Hex Wsh. Hi-Lo 1/4 x 1/2 unc | 310 | 532 44 66-36 | Bracket Hangbar Bag LH |
| 175 | 532 19 94-72 | Crossmember | 311 | 532 44 66-37 | Bracket Hangbar Bag RH |
| 176 | 532 40 07-76 | Screw 10-24 x 5/8 | 319 | 532 17 46-62 | Bracket Actuator Bagger |
| 177 | 532 19 52-28 | Bushing Steering | 334 | 532 44 25-37 | Bracket Engine |
| 180 | 581 18 71-01 | Chassis | 338 | 532 43 66-40 | Bolt Shoulder |
| 182 | 532 40 71-76 | Dash Lower | 339 | 532 43 66-41 | Lever Bagger Full |
| 183 | 874 52 05-20 | Bolt 5/16-18 x 1-1/4 | 340 | 532 44 09-31 | Door Battery Tray |
| 189 | 817 00 05-12 | Screw 5/16-18 x 3/4 | 341 | 582 06 08-01 | Latch Batter Tray |
| 191 | 532 41 65-01 | Insert Reflective RH | 342 | 532 43 59-38 | Support Fender |
| 194 | 873 90 05-00 | Nut Lock Hex Flange 5/16-18 | 343 | 532 44 07-49 | Clip |
| 195 | 532 43 99-76 | Plug Dash | 375 | 586 90 82-01 | Dash Clip-On Bumper |
| 199 | 532 41 87-39 | Plate Deck Lift | | | |
| 202 | 532 44 13-42 | Vent Side Hood RH | | | |
| 203 | 532 44 13-43 | Vent Side Hood LH | | | |
| 204 | 532 44 13-75 | Vent Top Hood | | | |
| 205 | 532 44 13-44 | Skirt Side RH | | | |
| 206 | 532 44 13-45 | Skirt Side LH | | | |

NOTE: All component dimensions given in U.S. inches
1 inch = 25.4 mm

TRACTOR - - MODEL NO. TC 138 (96051012402), PRODUCT NO. 960 51 01-24

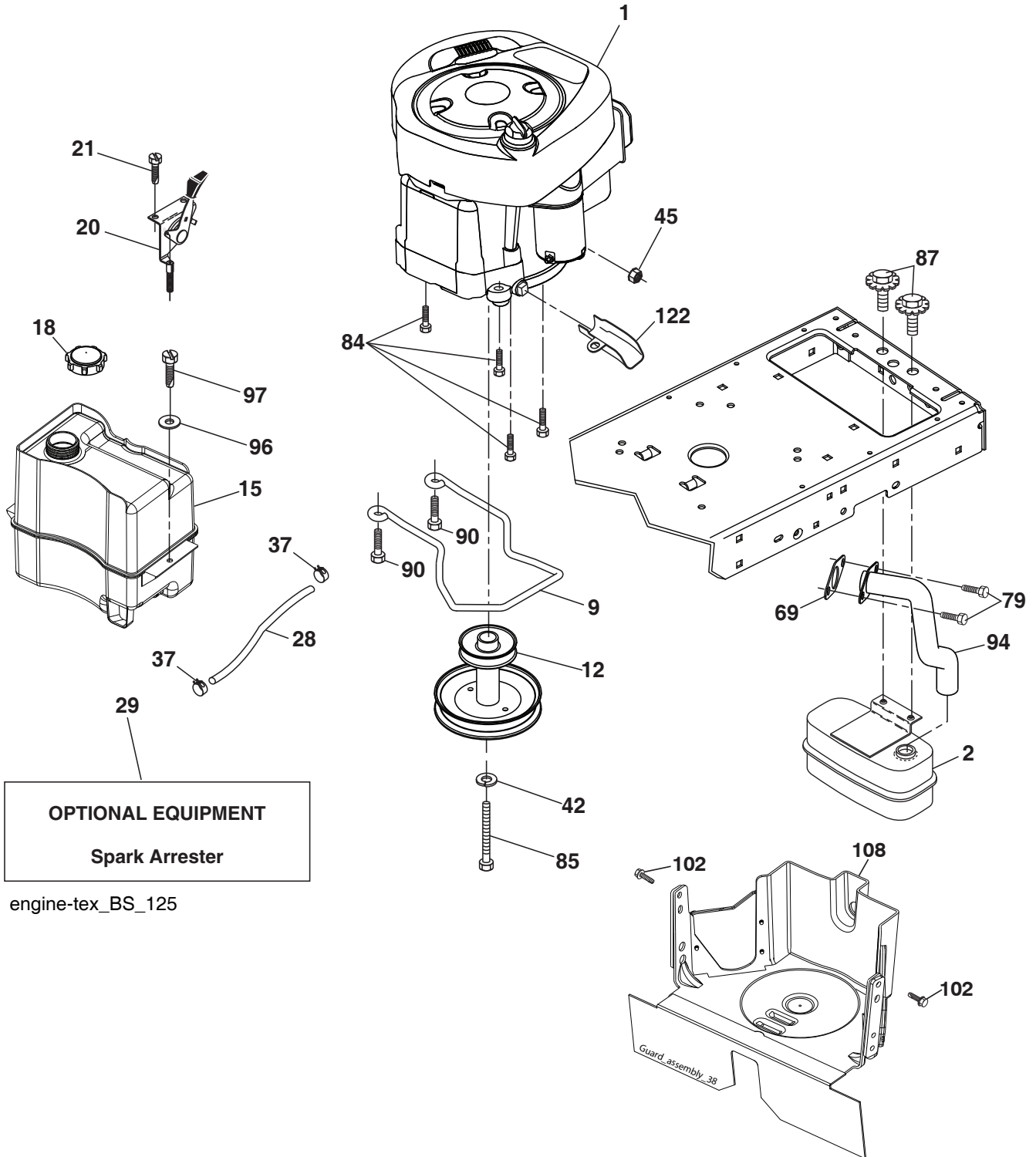
DRIVE 40

| KEY NO. | PART NO. | DESCRIPTION | KEY NO. | PART NO. | DESCRIPTION |
|----------------|-----------------|---|----------------|-----------------|---------------------------------|
| 1 | --- | Transaxle, TUFFTORQ K46 DF (446488) (Order parts from trans-axle manufacturer.) | 195 | 580 45 69-01 | Bracket Brake Rod |
| 2 | 532 12 35-83 | Key Square | 203 | 819 11 11-16 | Washer 11/32 x 11/16 x 16 Ga. |
| 6 | 532 12 40-28 | Bushing Snap | 205 | 532 12 17-48 | Washer 25/32 x 1-5/8 16 Ga. |
| 15 | 819 13 13-16 | Washer 13/32 x 13/16 x 16 Ga. | 210 | 532 40 09-80 | Rocker Asm. Pedal |
| 17 | 532 43 62-27 | Spring, Brake | 214 | 532 42 12-63 | Pedal Forward |
| 29 | 532 43 58-81 | Rod, Brake | 215 | 532 41 94-82 | Pad Pedal Reverse |
| 30 | 819 13 16-16 | Washer 13/32 x 1 x 16 Ga. | 211 | 532 12 01-83 | Bearing Nylon |
| 33 | 812 00 00-01 | Ring E | 221 | 532 40 31-87 | Retainer Spring |
| 35 | 532 40 10-31 | Rod, Brake, Park | 222 | 879 21 20-10 | Washer Flat |
| 37 | 532 18 89-67 | Washer .793 x 1.637 x 060 | 226 | 532 40 15-64 | Bracket Mount Torque |
| 38 | 532 16 96-13 | Nylon Snap In | 227 | 817 49 05-12 | Screw |
| 42 | 532 12 48-72 | Cover, Foot Pedal | 263 | 817 00 06-12 | Screw Hexwsh Thdr 3/8-16 x 3/4 |
| 49 | 872 11 06-14 | Bolt 3/8-16 unc | 268 | 532 18 24-02 | Guard Muffler |
| 50 | 532 19 43-27 | Idler Flat | 275 | 819 13 16-14 | Washer 13/32 x 1 x 14 Ga. |
| 51 | 873 90 06-00 | Lock Nut 3/8-16 | 279 | 532 44 42-83 | Link Shift Hydro |
| 52 | 532 19 43-26 | Idler V-Groove | 280 | 819 11 10-12 | Washer 11/32 x 5/8 x 12 Ga. |
| 56 | 592 85 51-01 | V-Belt, Drive | 309 | 532 16 55-81 | Plate Fstnr. |
| 61 | 532 43 77-88 | Pulley Transaxle | 311 | 532 16 98-45 | Washer Nylon |
| 64 | 532 19 78-65 | Shaft Asm. Pedal Brake Control | 312 | 532 16 56-14 | Hub Tapered |
| 73 | 874 49 05-56 | Bolt Hex 5/16-18 x 3.75 | 313 | 874 78 04-16 | Bolt Hex Fin 1/4-20 unc x 1.GD5 |
| 90 | 532 44 36-05 | Keeper Belt Clutching | 314 | 532 44 47-13 | Retainer, Belt |
| 99 | 532 44 39-47 | Rod Bypass | 315 | 817 58 05-20 | Screw Thdrol 5/16-18 x 4.25 |
| 103 | 873 35 05-00 | Nut 5/16-18 unc | 319 | 532 43 67-94 | Spacer Transaxle Tex CRD |
| 116 | 873 90 05-00 | Nut Lock Hex Flange 5/16-18 | 320 | 532 18 76-90 | Washer Spacer |
| 125 | 817 00 05-12 | Screw 5/16-18 x 3/4 | 335 | 532 19 95-34 | Pulley V Idler Ground Drive |
| 140 | 810 04 04-00 | Washer Lock Hvy. Helical 1/4 | 339 | 532 43 68-67 | Strap Torue K46 CRD Tex |
| 143 | 817 49 05-08 | Screw Thdrol 5/16-18 x 1/2 TYTT | 351 | 532 43 69-98 | Bracket Deck Sway |
| 159 | 876 02 04-12 | Pin Cotter 1/8 x 3/4 | 352 | 532 43 58-19 | Bracket Idler |
| 160 | 532 16 94-84 | Retainer Clip | 353 | 532 43 65-77 | Bracket Idler RH |
| 161 | 532 10 57-09 | Spring, Return, Clutch | 355 | 532 43 56-69 | Strap Torque |
| 163 | 532 43 66-32 | Rod Control | 360 | 532 44 47-14 | Nut Hex 5/16-24 |
| 166 | 532 42 91-64 | Nut Push .625 | 362 | 532 43 68-12 | Idler Flat |
| 167 | 532 40 52-57 | Latch Brake Parking | 364 | 532 44 30-32 | Bracket Idler |
| 175 | 532 42 93-59 | Shaft Asm. Cross Shift | | | |
| 183 | 532 13 70-57 | Spacer Axle | | | |
| 184 | 532 41 14-84 | Handle Park Brk. | | | |
| 185 | 872 11 06-22 | Bolt 3/8-16 unc x 2-3/4 | | | |
| 186 | 532 19 43-21 | Spacer Retainer | | | |
| 188 | 532 19 43-23 | Link Clutch Ground Drive | | | |
| 189 | 532 43 36-11 | Bellcrank Ground Drive | | | |

* Parts supplied by manufacturer

NOTE: All component dimensions given in U.S. inches
1 inch = 25.4 mm

TRACTOR -- MODEL NO. TC 138 (96051012402), PRODUCT NO. 960 51 01-24
 ENGINE **24**



engine-tex_BS_125

**TRACTOR - - MODEL NO. TC 138 (96051012402), PRODUCT NO. 960 51 01-24
ENGINE 24**

| KEY NO. | PART NO. | DESCRIPTION |
|----------------|-----------------|---|
| 1 | ----- | Engine B&S Model No. 31R577-0027-B1(587333501) (Order parts from engine manufacturer.) |
| 2 | 532 18 86-55 | Muffler |
| 9 | 501 83 26-01 | Keeper Belt Engine |
| 12 | 586 47 85-01 | Pulley Engine |
| 15 | 581 28 99-01 | Tank Fuel 1.5 |
| 18 | 532 43 02-20 | Cap Fuel |
| 20 | 587 24 26-01 | Control Throttle |
| 21 | 532 41 63-58 | Screw #10 x 0.750 BOS Thread |
| 28 | 532 13 70-40 | Fuel Line |
| 29 | 532 13 71-80 | Spark Arrester Kit |
| 37 | 532 12 34-87 | Clamp Hose |
| 42 | 810 04 07-00 | Lock Washer Hvy. 7/16 |
| 45 | 873 51 04-00 | Nut Keps Hex 1/4-20 unc |
| 69 | 532 16 52-91 | Gasket |
| 79 | 532 19 23-34 | Screw Socket HD 5/16-18 x .75 |
| 84 | 817 06 06-20 | Screw |
| 85 | 501 60 65-01 | Bolt Hex 7/16-20 x 4 x Gr. 5-1.5 Thr |
| 87 | 532 17 18-77 | Bolt 5/16-18 unc x 3/4 |
| 90 | 817 00 06-16 | Screw 3/8-16 x 1 |
| 94 | 581 88 09-01 | Exhaust Tube |
| 96 | 819 09 14-16 | Washer 9/32 x 7/8 x 16 Ga. |
| 97 | 817 67 04-12 | Screw 1/4-20 x 3/4 |
| 102 | 817 06 05-16 | Screw 5/16-18 x 1 |
| 108 | 587 17 95-02 | Cover Pulley Eng. w/SHLD |
| 122 | 532 42 19-22 | Extension Drain Oil |

NOTE: All component dimensions given in U.S. inches
1 inch = 25.4 mm

Engine Power Rating Information

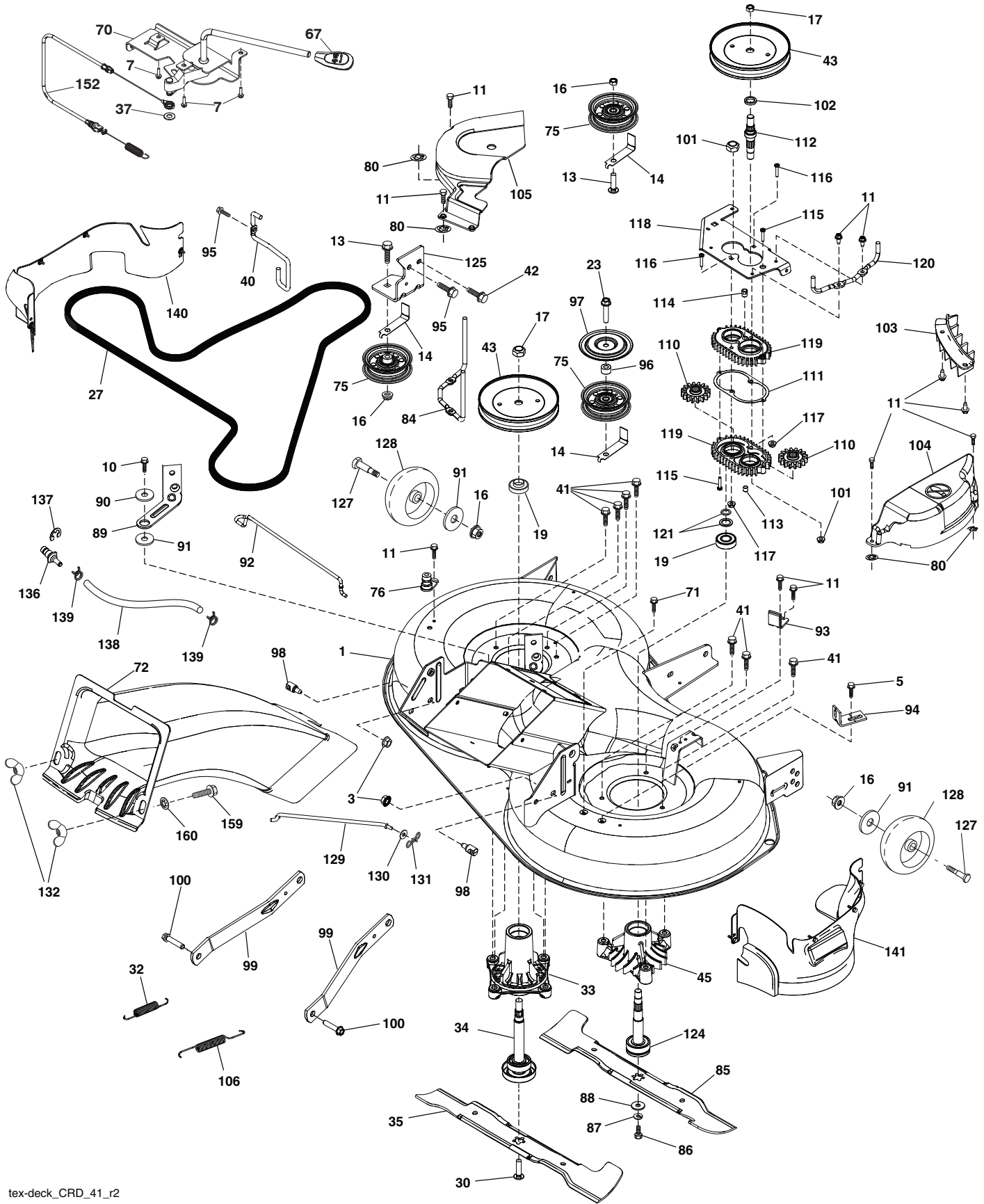
The gross power rating for individual gas engine models is labeled in accordance with SAE (Society of Automotive Engineers) code J1940 (Small Engine Power & Torque Rating Procedure), and rating performance has been obtained and corrected in accordance with SAE J1995 (Revision 2002-05). Torque values are derived at 3060 RPM; horsepower values are derived at 3600 RPM. Actual gross engine power will be lower and is affected by, among other things, ambient operating conditions and engine-to-engine variability. Given both the wide array of products on which engines are placed and the variety of environmental issues applicable to operating the equipment, the gas engine will not develop the rated gross power when used in a given piece of power equipment (actual "on-site" or net power). This difference is due to a variety of factors including, but not limited to, accessories (air cleaner, exhaust, charging, cooling, carburetor, fuel pump, etc.), application limitations, ambient operating conditions (temperature, humidity, altitude), and engine-to-engine variability. Due to manufacturing and capacity limitations, Briggs & Stratton may substitute an engine of higher rated power for this Series engine.

TRACTOR - - MODEL NO. TC 138 (96051012402), PRODUCT NO. 960 51 01-24
STEERING ASSEMBLY 41

| KEY NO. | PART NO. | DESCRIPTION |
|---------|--------------|--|
| 1 | 532 43 99-97 | Wheel, Steering |
| 2 | 532 41 81-68 | Axle Asm. |
| 4 | 532 40 30-87 | Spindle Asm., LH |
| 5 | 532 40 30-88 | Spindle Asm., RH |
| 6 | 532 12 49-31 | Bearing, Race Thrust Harden |
| 7 | 532 12 17-48 | Washer 25/32 x 1-5/8 x 16 Ga. |
| 8 | 812 00 00-29 | Ring, Klip #T5304-75 |
| 9 | 532 12 12-32 | Cap, Spindle |
| 13 | 532 12 17-49 | Washer 25/32 x 1-1/4 x 16 Ga. |
| 14 | 810 04 06-00 | Washer, Lock Hvy Hlcl Spr 3/8 |
| 15 | 873 54 06-00 | Nut, Crown Lock 3/8-24 unf |
| 16 | 585 86 92-02 | Steering Shaft |
| 19 | 532 19 47-29 | Plate Steering |
| 20 | 532 44 14-25 | Boot, Steering |
| 21 | 532 18 67-37 | Adapter, Wheel Steering |
| 22 | 585 02 98-02 | Bearing |
| 26 | 532 43 97-43 | Insert, Wheel Steering |
| 27 | 819 21 16-16 | Washer 21 x 32 x 1 x 16 Ga. |
| 28 | 817 00 06-12 | Screw 3/8-16 x 3/4 |
| 33 | 810 04 05-00 | Washer Lock 5/16 |
| 35 | 532 19 47-32 | Gear, Sector Plate |
| 45 | 819 11 38-12 | Washer 11/32 x 3/8 x 12 Ga. |
| 53 | 532 18 89-67 | Washer Hardened .793 x 1.637 x .060 |
| 57 | 532 40 74-65 | Bracket Upstop |
| 58 | 532 19 47-47 | Bolt Shoulder Sector Pivot CFM |
| 59 | 532 19 47-48 | Washer Thrust Sector Steering |
| 60 | 873 97 10-00 | Nut Flange Lock 5/8-11 |
| 61 | 532 19 47-40 | Draglink, LH |
| 62 | 532 19 47-41 | Draglink, RH |
| 63 | 817 00 05-12 | Screw 5/16-18 x 3/4 |
| 64 | 532 19 98-49 | Retainer Clip Spring Steering |
| 66 | 871 02 07-48 | Bolt Hex Fghd 7/16-14 x 3 Serr |
| 67 | 532 19 47-37 | Bushing PM Front Axle |
| 68 | 873 90 07-00 | Nut Lock Flange 7/16-14 Gr. 5 |
| 69 | 532 19 91-62 | Washer 1.5 x .505 x .118 |
| 70 | 585 33 88-01 | Bracket Deck Susp. Front |
| 71 | 532 19 07-52 | Shaft Extension Steering |
| 72 | 532 42 89-82 | Bolt Fin Hx 5/16-18 x 4 |
| 74 | 532 12 49-37 | Bearing |
| 75 | 580 68 37-01 | Pinion |
| 76 | 580 68 36-01 | Screw Head Sock |
| 122 | 532 44 49-62 | Cap Gear Sector |
| -- | 501 76 20-01 | Kit ID Box (Includes Key#'s 1, 20, 21, 26, 33, 45, 71, & 72). This kit also includes bagger parts (532 43 66-41 Full Bagger Lever); refer to pages 6 & 7 in this IPL, (873 90 04-00 Nut Hex Flange 1/4-20 unc), (532 42 16-14 Spring Latch Bagger), (817 49 04-12 Screw 1/4-20 x 3/4); refer to pages 18 & 19 in this IPL. |

NOTE: All component dimensions given in U.S. inches
1 inch = 25.4 mm

TRACTOR - - MODEL NO. TC 138 (96051012402), PRODUCT NO. 960 51 01-24
MOWER DECK **44**



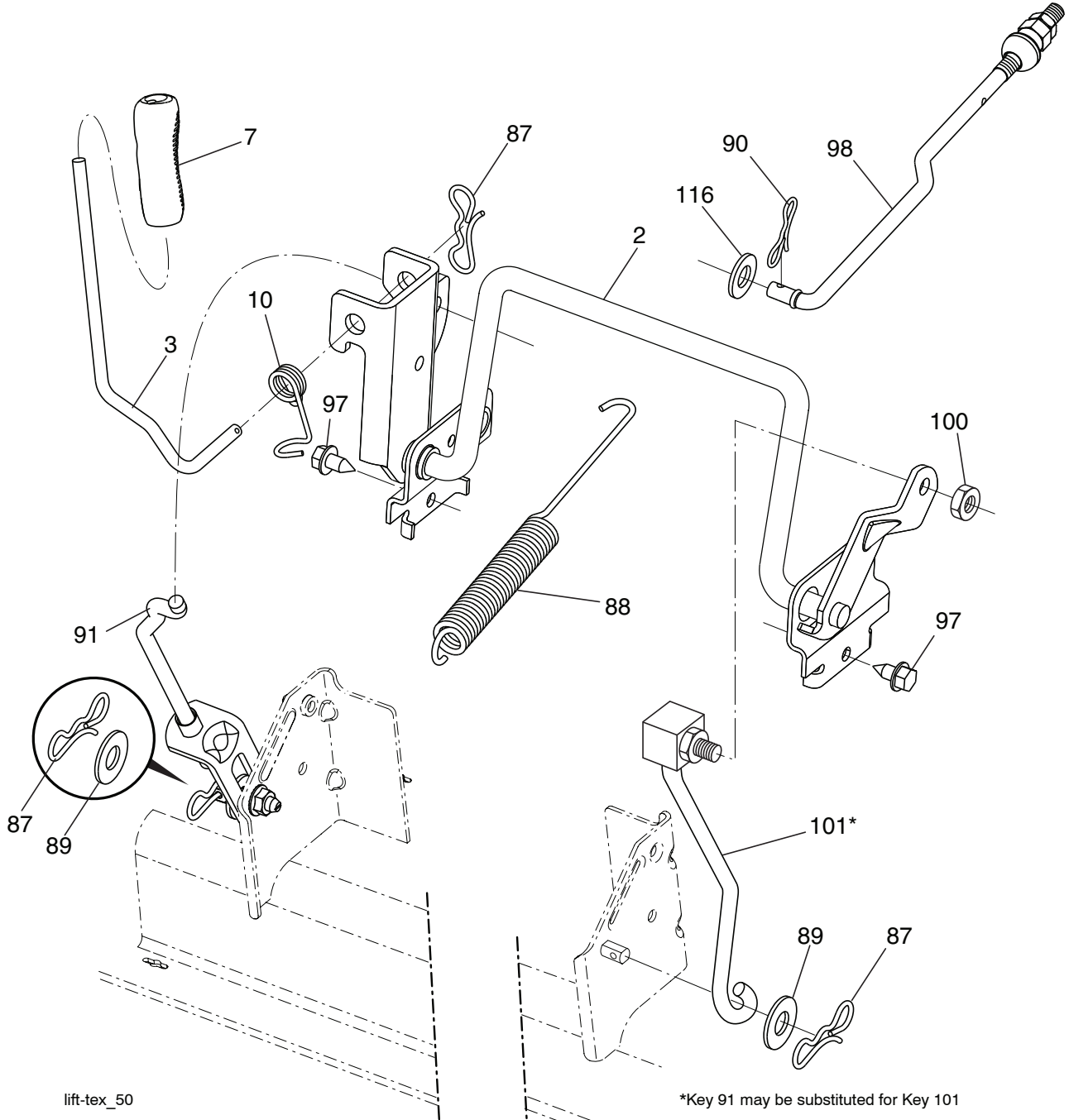
tex-deck_CRD_41_r2

TRACTOR - - MODEL NO. TC 138 (96051012402), PRODUCT NO. 960 51 01-24
MOWER DECK 44

| KEY NO. | PART NO. | DESCRIPTION | KEY NO. | PART NO. | DESCRIPTION |
|---------|--------------|-------------------------------------|---------|--------------|---|
| 1 | 532 44 09-71 | Deck Weldment | 105 | 532 43 87-44 | Mandrel Cover LH |
| 3 | 873 90 05-00 | Nut Lock Hex Flange 5/16 - 18 | 106 | 532 19 32-16 | Spring Brake Return |
| 5 | 817 00 05-10 | Bolt 5/16-18 | 110 | 587 93 48-01 | Gear Output |
| 7 | 532 41 63-58 | Screw #10 x 0.750 BOS Thread | 111 | 532 43 69-79 | Gasket Gearcase |
| 10 | 817 00 06-16 | Screw 3/8-16x1 smgml tap | 112 | 532 44 38-52 | Shaft Gearcase Adapter |
| 11 | 532 13 77-29 | Screw Thd Roll 1/4 - 20 X 5/8 | 113 | 532 43 85-33 | Plug Oil |
| 13 | 872 11 06-12 | Bolt Carr Sh 3/8 - 16 x 1-1/2 Gr. 5 | 114 | 588 17 05-01 | Valve Relief |
| 14 | 532 15 60-85 | Keeper Belt Idler | 115 | 818 03 10-16 | Screw Torx #10-24 x 1 |
| 16 | 873 90 06-00 | Nut Lock FIG 3/8 - 16 unc | 116 | 872 11 04-14 | Bolt 1/4-20 x 1.75 Gr. 5 |
| 17 | 532 40 02-34 | Nut Flange Lock Top | 117 | 873 90 04-00 | Nut Hex Flange 1/4-20 unc |
| 19 | 532 11 04-85 | Bearing Ball Mandrel | 118 | 532 43 69-89 | Arm Clutching |
| 23 | 817 49 06-28 | Screw Thdrol 3/8 - 16 X 1-3/4 | 119 | 532 43 81-66 | Gearcase Subasm |
| 27 | 532 43 97-26 | V-Belt Drive | 120 | 532 43 69-91 | Keeper Belt RH |
| 30 | 584 30 93-01 | Screw Sems 7/16-20 x 1 Hex Head | 121 | 532 43 69-85 | Washer |
| 32 | 532 40 18-72 | Spring Return Deck | 124 | 532 43 69-86 | Non Greasable Mandrel Shaft |
| 33 | 532 18 72-81 | Housing Mandrel 4pt Service | 125 | 532 44 04-20 | Bracket Idler Chassis |
| 34 | 532 19 28-72 | Shaft Asm Mndrl N/Greasable38 | 127 | 532 19 34-06 | Bolt Shoulder 3/8-16 x 3-5/8 Gr. 5 |
| 35 | 532 42 79-84 | Blade Mower LH | 128 | 532 17 48-73 | Wheel Gauge |
| 37 | 819 13 13-16 | Washer 13/32 x 13/16 x 16 Ga. | 129 | 532 40 48-51 | Rod Anti-Sway |
| 40 | 532 19 72-58 | Keeper Belt Engine LH | 130 | 819 13 13-12 | Washer 13/32 x 13/16 x 12 Ga. |
| 41 | 584 95 39-01 | Bolt Hex | 131 | 532 19 42-08 | Pin Cotter 5/16 Bow Tie Lock |
| 42 | 817 00 05-12 | Screw 5/16-18 x 3/4 | 132 | 532 17 88-99 | Knob Handle 3/8-16 |
| 43 | 532 19 74-73 | Pulley Mandrel | 136 | 532 43 96-39 | Washout Port |
| 45 | 532 13 71-52 | Housing Mandrel | 137 | 812 00 00-29 | Ring Clip |
| 67 | 532 40 30-12 | Handle Clutch Cable | 138 | 532 44 07-43 | Hose |
| 70 | 532 40 12-46 | Clutch Asm Manual LT Pred | 139 | 532 44 07-42 | Hose Clamp |
| 71 | 817 67 06-08 | Screw 3/8-16 x 1/2 | 140 | 501 57 94-01 | LH Guard |
| 72 | 582 03 56-01 | Chute Upper | 141 | 501 57 93-01 | RH Guard |
| 75 | 532 13 14-94 | Pulley Idler Flat | 152 | 532 44 04-88 | Cable Clutch Manual w/Spring |
| 76 | 532 43 96-40 | Washout Port | 159 | 872 14 06-14 | Bolt 3/8-16 unc x 1-3/4 |
| 80 | 532 42 30-62 | Pal Nut | 160 | 532 16 89-37 | Nut Push |
| 84 | 532 43 25-20 | Keeper Belt LH Mandrel | -- | 587 25 33-01 | Mandrel Assembly (Includes Housing Assembly (key#33), Shaft Assembly (key#34) and Bearing Only (key#19) - Pulley/ Nut/Washer And Blade Bolt/ Washers Not Included) |
| 85 | 532 42 79-85 | Blade Mower RH | | | |
| 86 | 532 18 17-13 | Bolt 3/8-24 x 1.50 Gr. 8 | | | |
| 87 | 810 03 06-00 | Washer Lock Hvy. 3/8 | | | |
| 88 | 532 14 02-96 | Washer Hard | | | |
| 89 | 532 43 81-24 | Arm Brake 97 LH | | | |
| 90 | 532 19 90-92 | Spacer Retainer | -- | 532 44 81-32 | Gear Case Kit. Use .75 oz. Shell 460 Oil. (Include Gear Output (key #110), Gasket Gearcase (key #111), Shaft Gearcase (key #112), Plug Oil (key #113), Vent Breather 1/8 NPT (key #114), Screw Torx (key #115), Gearcase Subasm (key #119). |
| 91 | 819 13 20-12 | Washer 13/32 x 1-1/4 x 12 Ga. | | | |
| 92 | 532 43 69-93 | Rod Brake Assembly | | | |
| 93 | 532 43 81-25 | Arm Brake RH | | | |
| 94 | 532 19 72-50 | Bracket Clutch Cable | | | |
| 95 | 817 00 06-12 | Screw 3/8-16 x 3/4 | | | |
| 96 | 532 40 02-71 | Spacer | | | |
| 97 | 532 18 20-61 | Shield Idler Mower | | | |
| 98 | 532 19 51-61 | Stud Fastener | -- | 587 49 20-01 | Replacement Mower Complete |
| 99 | 532 19 51-86 | Arm Suspension Mower Rear | | | |
| 100 | 532 19 65-39 | Bolt Shoulder | | | |
| 101 | 873 68 09-00 | Nut Crownlock 9/16 - 18 unc | | | |
| 102 | 532 40 25-11 | Spacer Bearing Swing Plate | | | |
| 103 | 532 43 69-92 | Guard Front Vent | | | |
| 104 | 532 43 89-68 | Mandrel Cover RH | | | |

NOTE: All component dimensions given in U.S. inches
1 inch = 25.4 mm

TRACTOR - - MODEL NO. TC 138 (96051012402), PRODUCT NO. 960 51 01-24
MOWER LIFT 45



lift-tex_50

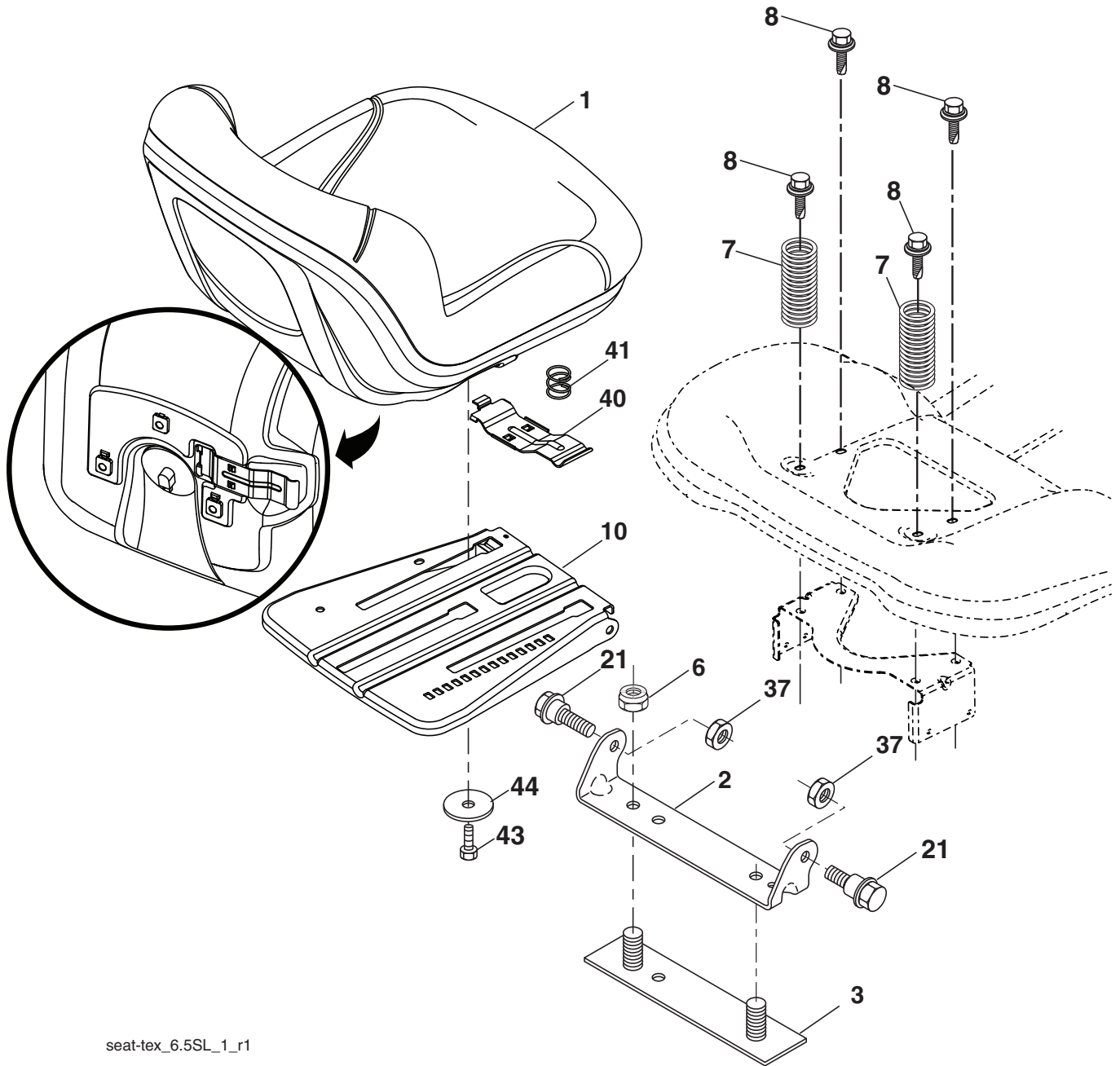
*Key 91 may be substituted for Key 101

| KEY NO. | PART NO. | DESCRIPTION |
|---------|--------------|--------------------------------|
| 2 | 532 43 69-96 | Deck Lift |
| 3 | 532 19 52-31 | Lever Asm., Lift RH |
| 7 | 580 96 23-01 | Grip, Lever |
| 10 | 532 19 63-14 | Spring Torsion |
| 87 | 532 19 42-09 | Pin Cotter 7/16 Bow Tie Lock |
| 88 | 532 44 54-96 | Spring Lift Assist |
| 89 | 819 19 19-12 | Washer 17/32 x 1-3/16 x 12 Ga. |
| 90 | 532 19 42-08 | Pin Cotter 5/16 Bow Tie Lock |
| 91 | 532 19 51-81 | Link Lift Susp Mower Rear |

| KEY NO. | PART NO. | DESCRIPTION |
|---------|--------------|-------------------------------|
| 97 | 817 49 06-08 | Screw 3/8-16 x 1/2 |
| 98 | 532 19 52-70 | Link Lift Susp. Front Mower |
| 100 | 873 93 06-00 | Nut Centerlock |
| 101 | 532 40 70-03 | Link Asm. Lift |
| 116 | 819 15 15-16 | Washer 15/32 x 15/16 x 16 Ga. |

NOTE: All component dimensions given in U.S. inches
 1 inch = 25.4 mm

**TRACTOR - - MODEL NO. TC 138 (96051012402), PRODUCT NO. 960 51 01-24
SEAT ASSEMBLY 42**



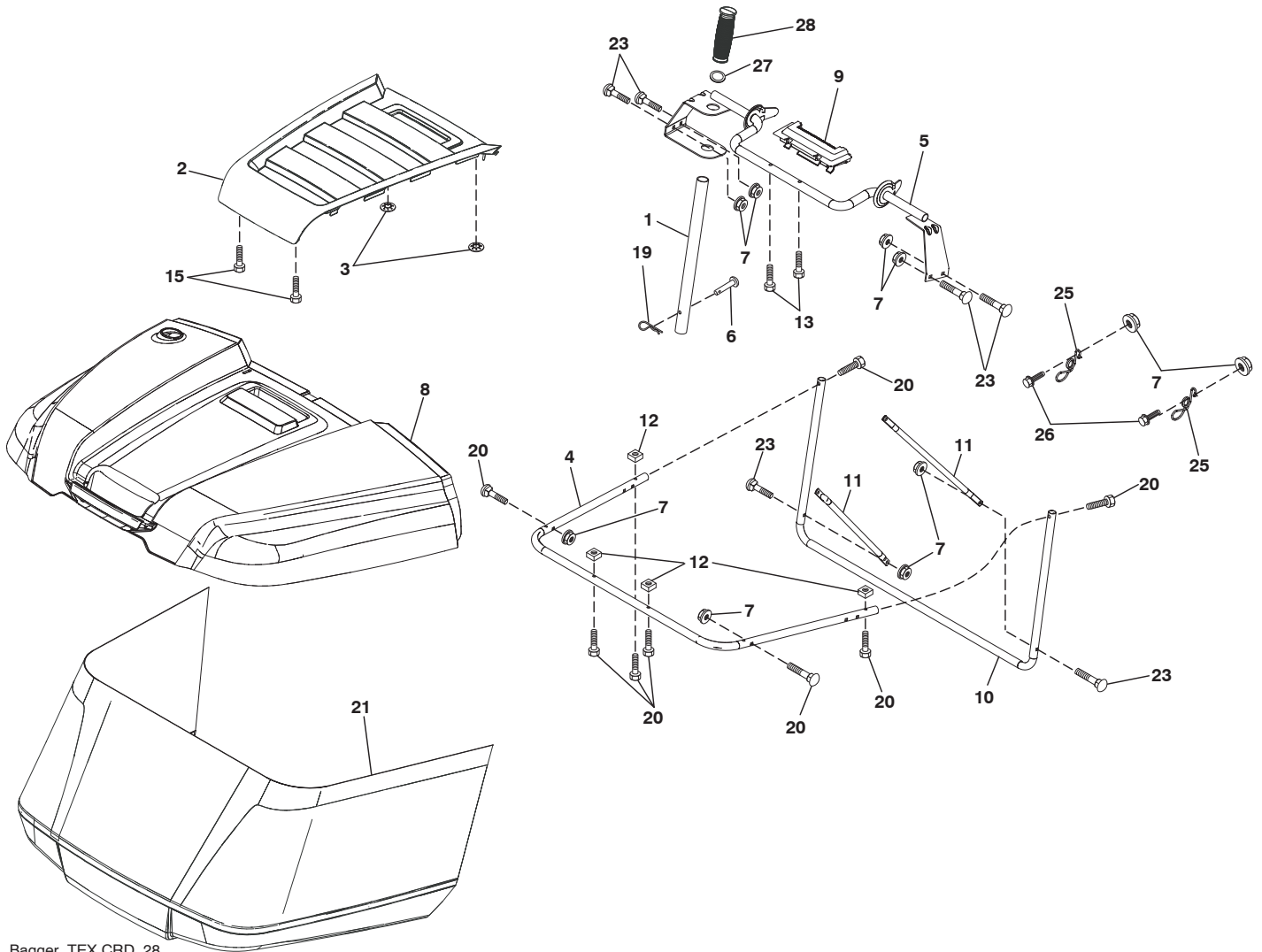
seat-tex_6.5SL_1_r1

| KEY NO. | PART NO. | DESCRIPTION |
|---------|--------------|--------------------------------|
| 1 | 532 43 97-09 | Seat |
| 2 | 532 18 01-66 | Bracket Pivot Fender |
| 3 | 532 14 06-75 | Strap, Asm. Fender |
| 6 | 873 80 06-00 | Nut, Lock w/Ins. 3/8-16 unc |
| 7 | 587 61 33-01 | Spring, Seat Cprsn. |
| 8 | 532 17 18-77 | Bolt 5/16-18 unc x 3/4 w/Sems. |
| 10 | 532 19 69-77 | Pan, Seat |
| 21 | 587 90 78-01 | Bolt, Shoulder 5/16-18 x 5/8 |

| KEY NO. | PART NO. | DESCRIPTION |
|---------|--------------|-------------------------------|
| 37 | 873 80 05-00 | Nut, Lock 5/16-18 unc |
| 40 | 532 19 76-61 | Handle |
| 41 | 532 19 82-00 | Spring |
| 43 | 874 76 06-12 | Bolt 3/8-16 unc x 3/4 |
| 44 | 819 13 38-12 | Washer 13/32 x 2-3/8 x 12 Ga. |

NOTE: All component dimensions given in U.S. inches
1 inch = 25.4 mm

TRACTOR - - MODEL NO. TC 138 (96051012402), PRODUCT NO. 960 51 01-24
BAGGER 46



Bagger_TEX CRD_28

**TRACTOR - - MODEL NO. TC 138 (96051012402), PRODUCT NO. 960 51 01-24
BAGGER 46**

| KEY NO. | PART NO. | DESCRIPTION |
|--------------------|---------------------|------------------------------|
| 1 | 532 42 86-10 | Tube Handle Bagger |
| 2 | 532 44 13-58 | Applique |
| 3 | 532 41 38-08 | Nut Push .156 |
| 4 | 579 78 54-01 | Frame Asm Bagger Top |
| 5 | 532 41 76-32 | Frame Asm Top Bagger |
| 6 | 532 12 68-75 | Rivet Drilled |
| 7 | 873 90 04-00 | Nut Hex Flange 1/4-20 unc |
| 8 | 532 44 12-61 | Cover Bagger |
| 9 | 532 41 76-29 | Insert Handle Bagger |
| 10 | 532 43 67-70 | Frame Front |
| 11 | 532 43 67-71 | Tubing Brace Bagger |
| 12 | 532 42 17-93 | Nut Square 1/4 |
| 13 | 532 42 17-80 | Screw 1/4 x 1.150 |
| 15 | 532 42 18-01 | Screw #8 Flat Head Drill Tip |
| 19 | 532 19 42-08 | Cotter Pin 5/16 Bow Tie |
| 20 | 501 40 66-01 | Screw Hex Cap 1/4-20 x 1.500 |
| 21 | 532 44 83-06 | Bag Asm |
| 23 | 872 04 04-10 | Bolt Carr. 1/4-20 |
| 25 | 532 42 16-14 | Spring Latch Bagger |
| 26 | 817 49 04-12 | Screw 1/4-20 x 3/4 |
| 27 | 532 42 12-62 | Grommet Rubber |
| 28 | 532 16 57-87 | Grip Handle Black |

NOTE: All component dimensions given in U.S. inches
1 inch = 25.4 mm

