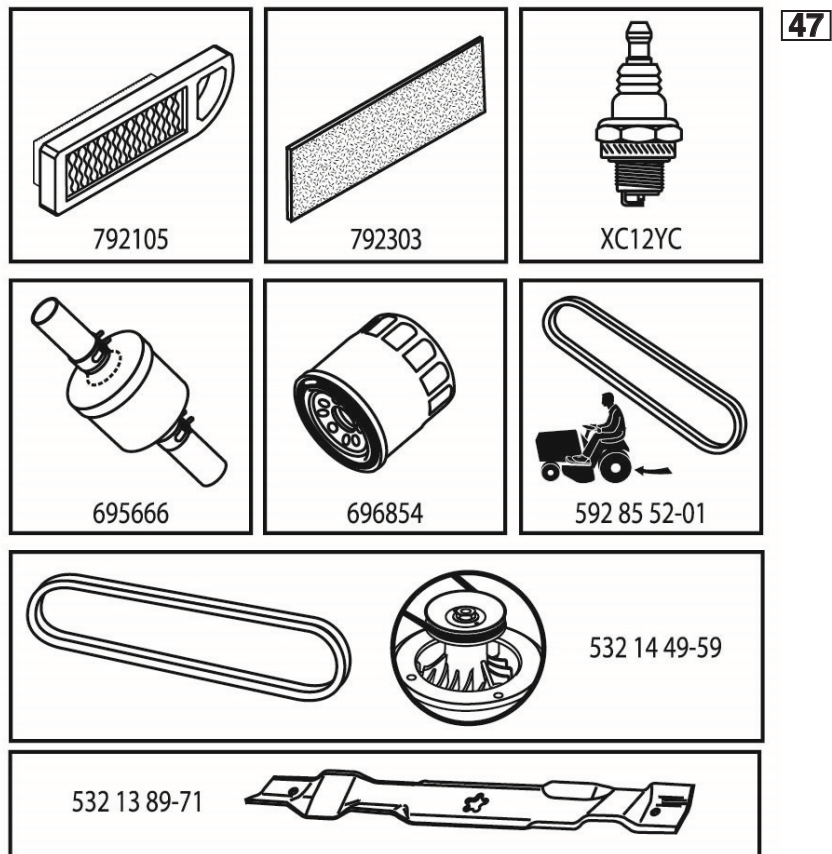


# ILLUSTRATED PARTS LIST

**MFG. ID NO. 96041043400**

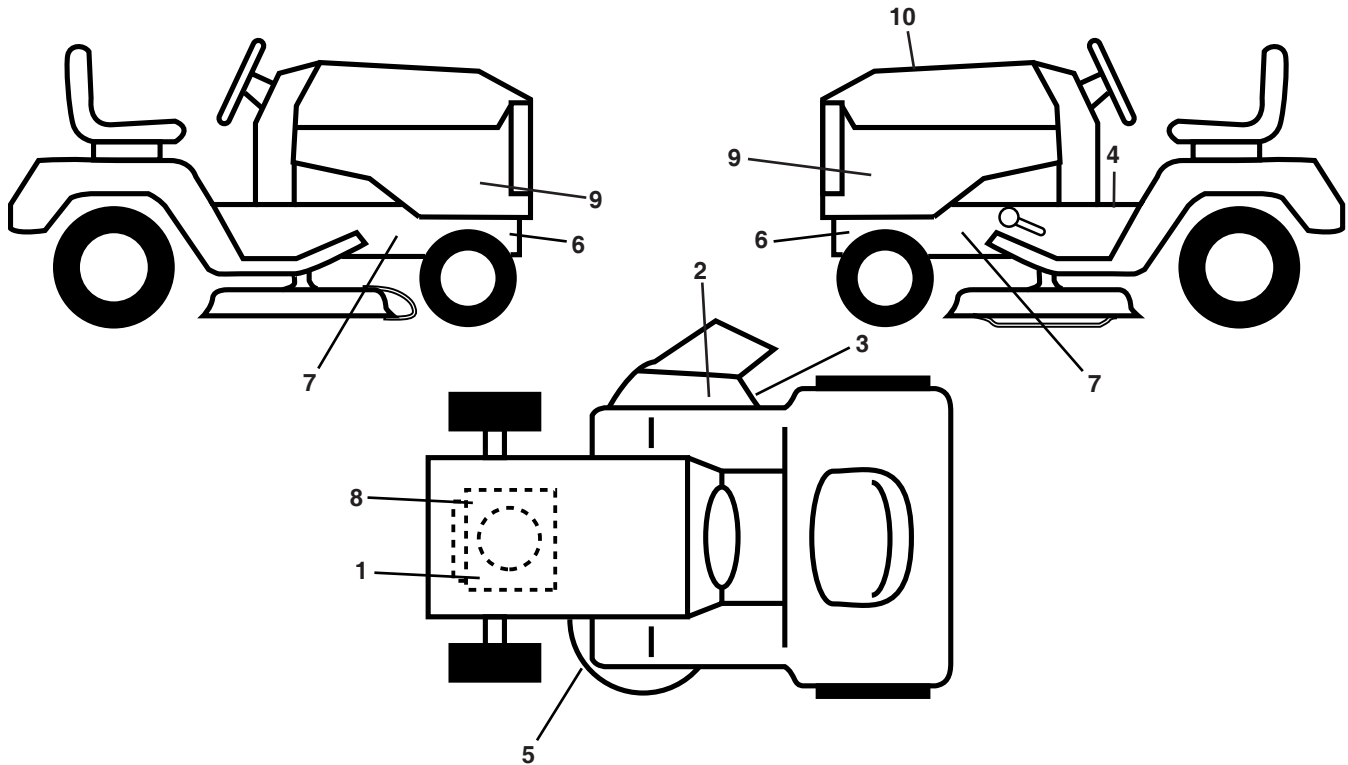
**CUSTOMER CATALOG NO. TS 142TX**

**PRODUCT NO. 960 41 04-34**



**587617701**

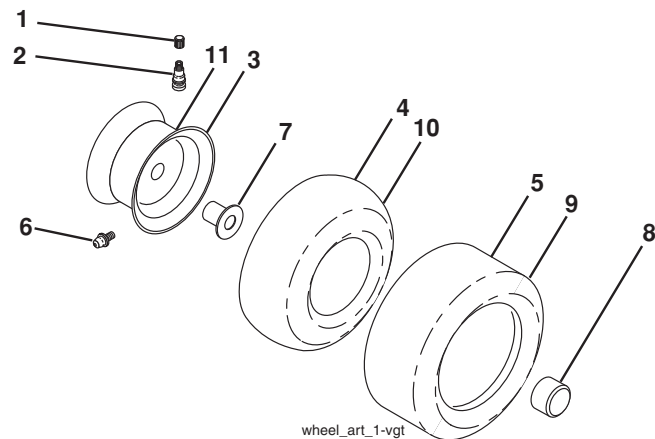
**TRACTOR - - MODEL NO. TS 142TX (96041043400), PRODUCT NO. 960 41 04-34  
DECALS 27**



KEY NO.	PART NO.	DESCRIPTION
1	587 46 91-01	Decal, Engine
2	584 90 46-01	Decal, Deflect. Warning
3	581 57 92-01	Decal, Warning Symbol
4	586 35 06-01	Decal, Saddle Fndr
5	581 58 00-01	Decal, Mower Sch.
6	581 57 96-01	Decal, Hot Muffler
7	581 57 98-01	Decal, Warning
8	581 57 97-01	Decal, Warning Eng. Symbol
9	598 42 08-01	Decal, Panel Side
10	587 61 77-01	Decal, Replacement

KEY NO.	PART NO.	DESCRIPTION
--	581 72 48-01	Decal, Bypass
--	581 72 46-01	Decal, Load Limit
--	532 43 96-81	Pad, Footrest, LH
--	532 43 96-82	Pad, Footrest, RH
--	114 20 13-20	Manual Oper. Euro
--	114 20 14-10	Manual Oper. Scan
--	114 20 15-50	Manual Oper. Ebloc
--	114 20 16-40	Manual Oper. Baltic
--	114 20 18-53	Manual Oper. Ukrainian
--	114 20 17-76	Manual Oper. Turkish

**WHEELS AND TIRES**



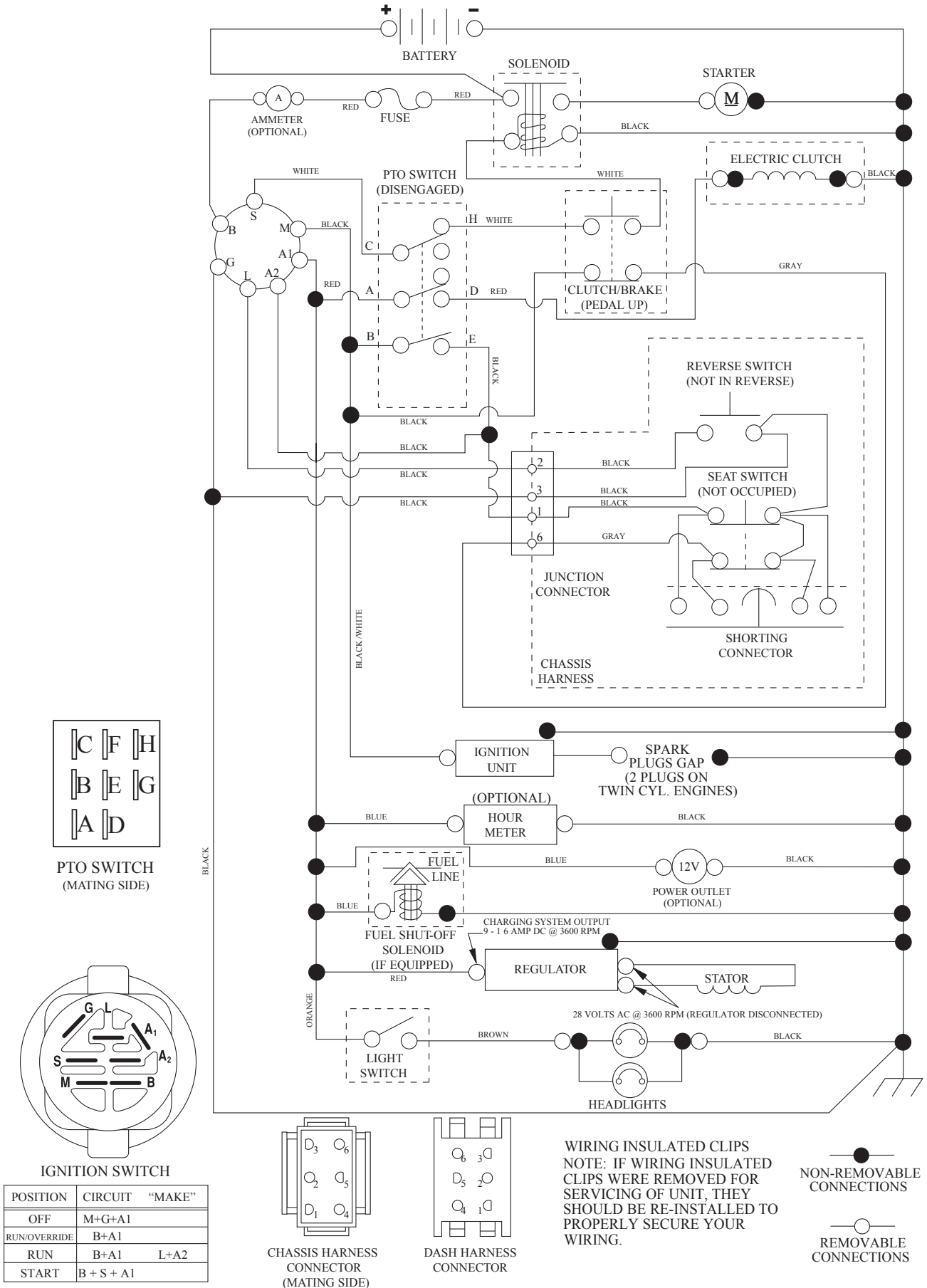
KEY NO.	PART NO.	DESCRIPTION
1	532 05 91-92	Cap, Valve, Tire
2	532 06 51-39	Stem, Valve
3	532 13 83-36	Rim Assembly, Front
4	532 05 99-04	Tube, Front (Service Item Only)
5	532 10 62-22	Tire, Front 15 x 6-6
6	532 00 02-78	Fitting, Grease (Front Wheel Only)
7	532 00 90-40	Bearing, Flange (Front Wheel Only)
8	532 17 50-39	Cap, Axle (Front Wheel Only)
9	532 12 20-82	Tire, Rear 20 x 10-8
10	532 00 71-52	Tube, Rear (Service Item Only)
11	532 13 83-37	Rim Assembly, Rear
--	532 14 43-34	Sealant, Tire (10 oz. Tube)

**NOTE:** All component dimensions given in U.S. inches  
1 inch = 25.4 mm

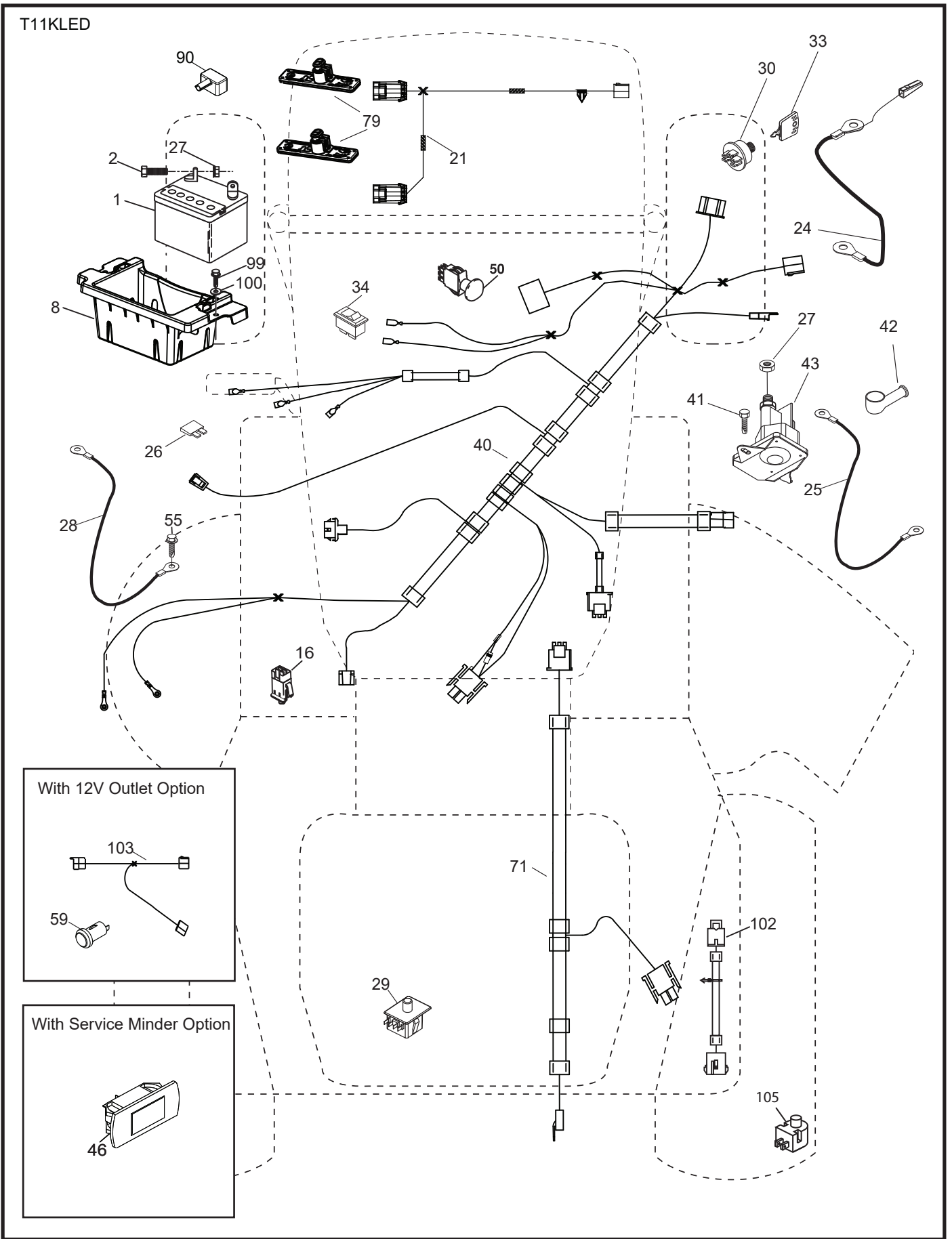
# TRACTOR - - MODEL NO. TS 142TX (96041043400), PRODUCT NO. 960 41 04-34

## SCHEMATIC **38**

SCH12



**TRACTOR - - MODEL NO. TS 142TX (96041043400), PRODUCT NO. 960 41 04-34**  
**ELECTRICAL 32**

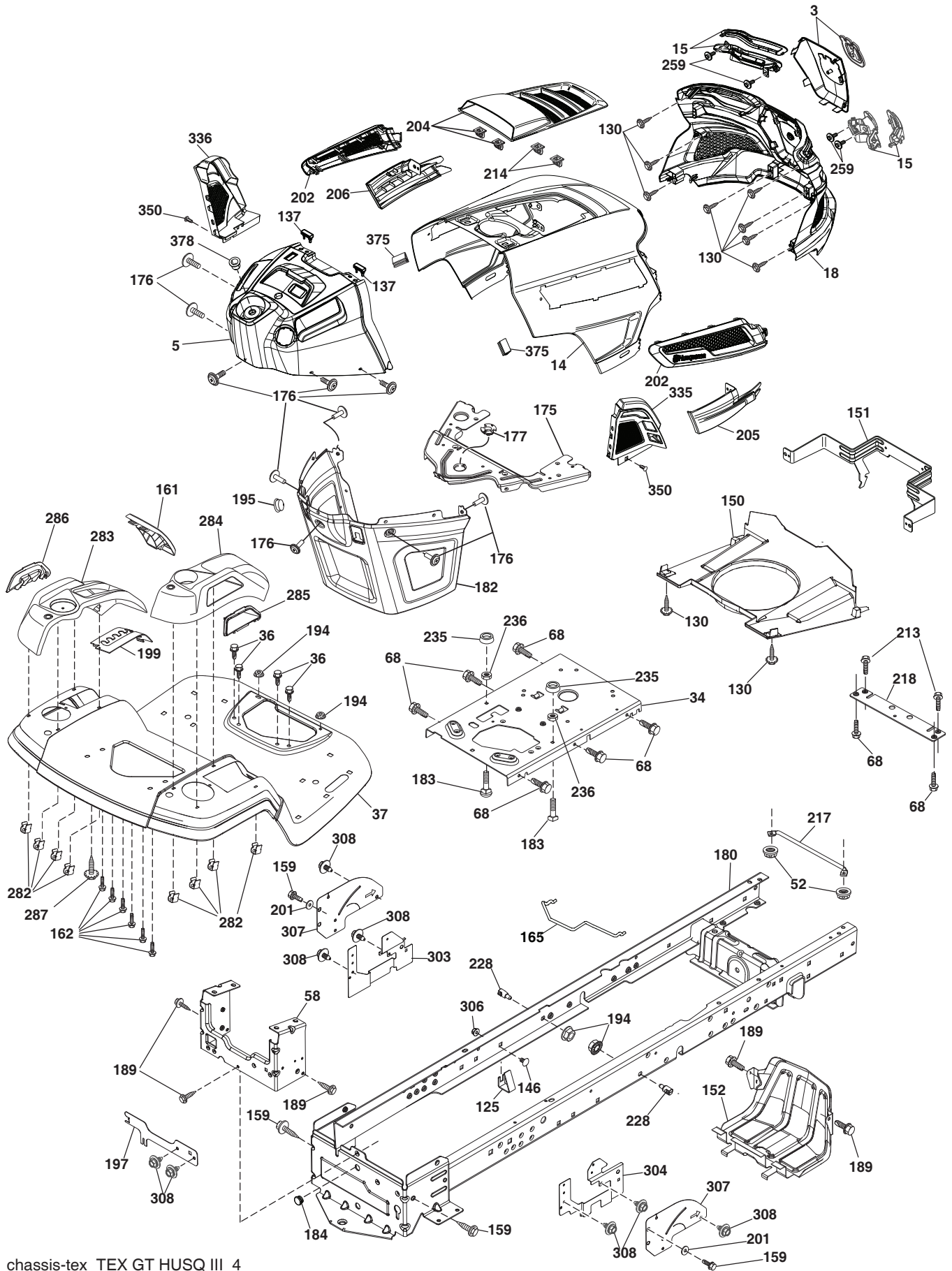


**TRACTOR - - MODEL NO. TS 142TX (96041043400), PRODUCT NO. 960 41 04-34  
ELECTRICAL 32**

<b>KEY NO.</b>	<b>PART NO.</b>	<b>DESCRIPTION</b>
1	532 16 34-65	Battery
2	874 76 04-12	Bolt Hex Hd 1/4-20 unc x 3/4
8	587 20 51-01	Battery Box
16	532 17 61-38	Switch Interlock
21	585 43 64-02	Harness, LED Lights
24	585 55 56-01	Cable Battery
25	585 55 55-01	Cable Starter
26	532 17 51-58	Fuse
27	596 13 36-01	Locknut, KEPS, 1/4-20
28	532 41 65-88	Cable Ground 21" Blk 6 Ga.
29	532 19 27-49	Switch Seat
30	532 19 33-50	Switch Ign
33	532 41 19-35	Key/Chain
34	532 11 07-12	Switch Light/Reset
40	501 13 29-01	Harness Ign Dash
41	817 72 04-08	Screw Thd Cut 1/4-20 x 1/2
42	532 13 15-63	Cover Terminal Red
43	582 04 28-02	Solenoid w/Brass Plunger, AN
46	594 91 91-01	Hourmeter Delta
50	582 10 76-02	Switch PTO
55	817 06 05-12	Screw Thdrol 5/16-18 x 3/4
71	532 19 42-76	Harness Ign. Chassis
79	597 52 30-01	Light, Husgt3, LED Bar
90	532 43 53-95	Cover Terminal Battery
99	817 67 04-12	Screw Hexwsh Thdrol 1/4-20 x 3/4
100	596 13 53-01	Washer, Plain, 9/32 x 7/8, clr/zn
102	532 40 75-68	Switch Reverse
105	532 40 44-54	Harness Pigtail

**NOTE:** All component dimensions given in U.S. inches  
1 inch = 25.4 mm

TRACTOR - - MODEL NO. TS 142TX (96041043400), PRODUCT NO. 960 41 04-34  
CHASSIS AND ENCLOSURES **39**



chassis-tex\_TEX GT HUSQ III\_4

**TRACTOR - - MODEL NO. TS 142TX (96041043400), PRODUCT NO. 960 41 04-34  
CHASSIS AND ENCLOSURES **39****

KEY NO.	PART NO.	DESCRIPTION	KEY NO.	PART NO.	DESCRIPTION
3	597 68 82-01	Kit, Grille Applique, (includes applique cover and emblem badge)	201	819 13 20-16	Washer 13/32 x 1-1/4 x 16 Ga.
5	590 74 88-21	Dash	202	597 86 77-01	Kit, Side Vents, LH/RH (includes LH/RH side vents)
14	532 44 11-77	Hood	204	597 40 80-01	Kit, Top Vent (includes top vent and clip retainers)
15	597 86 79-01	Kit, SVC, Hus GT3, LED Headlights (includes LH/RH lens and LH/RH housing)	205	532 43 97-30	Trim Hood Side RH
18	597 40 71-02	Grille	206	532 43 97-29	Trim Hood Side LH
34	580 91 08-01	Plate Engine	213	596 03 05-01	Bolt, Hex HD, 5/16-18 unc x 3/4
36	817 06 05-12	Screw 5/16-18 x 3/4	214	532 19 91-45	Clip Retainer
37	532 44 11-78	Fender	217	532 40 91-67	Rod Pivot
52	596 04 05-01	Nut, Lock, Hex, PRVL, 5/16-18	218	532 19 63-95	Bracket, Hood, Pivot
58	532 41 22-80	Drawbar	228	593 82 40-01	Stud w/"D" Anti-Rotation
68	596 03 07-01	Screw, Hexagon, 5/16-18 x 1/2	235	596 56 42-01	Spacer, Fender, CLR, Zn
125	581 68 48-01	Clip Fuel Line	236	873 93 05-00	Nut Center Lock 5/16-18 unc
130	596 32 17-01	Screw #10 x 0.750 BOS Thread	259	596 43 40-01	Screw #10.10 x 0.500, BOS Thread
137	532 40 75-90	Bumper Hood/Dash	282	532 41 41-10	Clip Retainer Console
146	581 85 79-01	Bolt, 3/8-16 x 5/8	283	532 43 98-61	Console Deck Lift
150	532 43 97-74	Duct Air	284	532 43 98-23	Console Control Pedal
151	532 43 66-70	Bracket Pivot	285	532 41 63-15	Console Insert RH
152	532 43 98-70	Shield Browning	286	532 41 63-17	Console Insert LH
159	817 00 06-12	Screw Hexwsh Thdr 3/8-16 x 3/4	287	817 60 04-06	Screw Hex Wsh Hd 1/4-20 x 3/8
161	532 43 97-81	Console Fuel Window	303	589 00 81-02	Shield Chassis LH
162	596 13 41-01	Screw, Hex, TAP, 1/4-15 x 1/2	304	589 00 90-02	Shield Chassis RH
165	532 19 68-26	Bracket Support Tank	306	873 90 06-00	Nut 3/8-16
175	590 60 77-02	Crossmember	307	587 49 46-01	Shield Upper
176	532 40 07-76	Screw 10-24 x 5/8 Rnd Qdrx	308	532 17 18-77	Bolt 5/16-18 unc x 3/4
177	532 19 52-28	Bushing Steering	335	532 44 82-04	Cover Dash RH
180	532 41 50-64	Chassis	336	532 44 53-09	Cover Dash LH
182	586 73 86-02	Dash Lower	350	532 44 51-43	Clip X-mas Tree
183	595 30 57-01	Screw, Hexagon, 5/16-18 x 1-1/4	375	586 90 82-01	Dash Clip-On Bumper
184	587 55 41-01	Plug	378	590 84 98-01	Bushing, Flange, Plastic
189	817 00 05-12	Screw 5/16-18 x 3/4			
194	596 13 57-01	Nut,Lock,PRVL,Torq,5/16-18x.68			
195	532 40 41-37	Plug 12v Adapter			
197	589 20 46-02	Shield Drawbar			
199	532 41 34-85	Plate Deck Lift			

**NOTE:** All component dimensions given in U.S. inches  
1 inch = 25.4 mm





**TRACTOR - - MODEL NO. TS 142TX (96041043400), PRODUCT NO. 960 41 04-34  
DRIVE **40****

KEY NO.	PART NO.	DESCRIPTION	KEY NO.	PART NO.	DESCRIPTION
1	---	Transaxle, TUFFTORQ K46 BT (426120) (Order parts from trans-axle manufacturer)	184	587 65 37-01	Handle Parking Brake
2	532 12 35-83	Key	185	872 11 06-22	Bolt Rdhd Sqnk 3/8-16 x 2-3/4 Gr. 5
15	596 56 53-01	Washer 3/8 x 0.08 in, ST, CLR, ZINC	186	532 19 43-21	Spacer Retainer
17	532 41 36-78	Spring Brake	187	596 13 55-01	Washer 13/32 x 2, CLAR, ZINC
29	532 40 38-06	Rod, Brake	188	582 21 70-01	Link Clutch Ground Drive, Long
33	812 00 00-01	Ring E	189	532 19 43-17	Bellcrank Ground Drive
35	583 86 45-02	Rod, BRK, Parking, GT, HUSQ	190	532 19 43-18	Keeper Bellcrank Ground Drive
42	532 00 88-83	Cover Foot Pedal	196	817 00 06-16	Screw 3/8-16 x 1
49	596 13 62-01	Bolt, Cup Head, 3/8-16 x 3/4	197	585 65 86-02	Clutch, Antirotation, Wireform
50	532 19 43-27	Pulley Idler Flat	205	532 12 17-48	Washer
51	873 90 06-00	Lock Nut 3/8-16	210	532 40 09-80	Rocker Asm. Pedal
52	532 19 43-26	Idler V-Groove	211	532 12 01-83	Bushing Brake Shaft
56	592 85 52-01	V-Belt Drive	214	532 42 12-63	Pedal Forward
64	532 19 78-65	Shaft Asm. Pedal Brake Control	215	586 60 65-02	Pedal Reverse
69	532 42 33-03	Hairpin Soft Zink .059 x 1.125	216	532 19 61-31	Bracket Pulley Idler
73	596 13 65-01	Bolt, Hex Head, 5/16-18 x 1-1/2	221	532 40 31-87	Retainer Spring Clip Handle
99	582 40 45-01	Rod Bypass	222	879 21 20-10	Washer 21/32 x 1-1/4 10 Ga.
116	596 13 57-01	Nut, Lock, PRVL, Torq, 5/16-18 x .68	225	532 40 33-19	Keeper Belt Trans.
125	817 00 05-12	Screw 5/16-18 x 3/4	227	596 13 59-01	Bolt, Hex, 5/16-18 x 3/4, Clr, Znc
143	596 03 07-01	Screw, Hexagon, 5/16-18 x 1/2	230	532 18 89-67	Washer Hardened
153	532 00 44-97	Retainer Spring	325	585 66 85-02	Bracket
159	596 02 95-01	Pin, Cotter, 1/8 dia x 3/4	326	585 67 08-02	Bracket
161	532 10 57-09	Spring Return Clutch	336	587 25 96-02	Bolt 5/16-18 x 1-3/4 Flanged
163	593 86 10-01	Rod, CTRL, K57R, K46			
166	532 42 91-64	Nut Push			
167	532 40 52-57	Latch Brake Parking			
170	532 19 43-22	Keeper Belt Centerspan			
171	596 13 63-01	Bolt, Cup Head, 3/8-16 x 2			
177	587 22 53-01	Pin, Cotter, Locking, Bowtie, 1in			
183	532 13 70-57	Spacer Split			

**NOTE:** All component dimensions given in U.S. inches  
1 inch = 25.4 mm

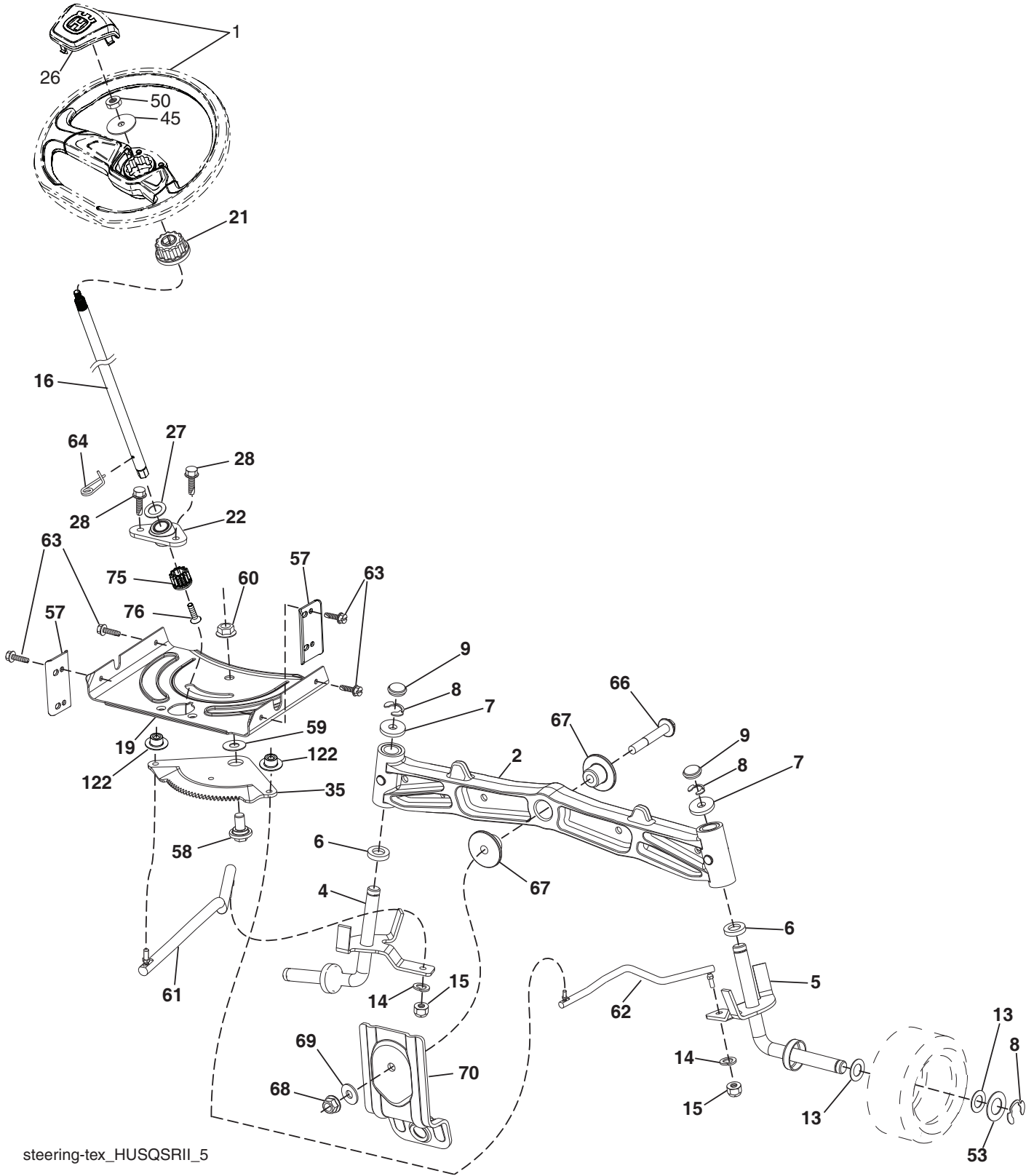


**TRACTOR - - MODEL NO. TS 142TX (96041043400), PRODUCT NO. 960 41 04-34  
ENGINE 24**

KEY NO.	PART NO.	DESCRIPTION
1	- - - - -	Engine B&S Model No. 40U777-0006-B5(597360001) (Order parts from engine manufacturer)
2	589 81 87-01	Muffler
9	501 83 26-02	Keeper Belt Engine
11	587 24 15-01	Clutch Electric
12	532 40 50-97	Pulley Engine
15	532 43 80-27	Tank Fuel
18	585 12 48-01	Cap Asm
20	587 24 27-01	Control Throttle
21	596 32 17-01	Screw #10 x .075, BOS Thread
28	532 40 11-35	Fuel Line
29	532 13 71-80	Spark Arrester Kit
37	532 12 34-87	Clamp Hose
41	532 12 61-97	Washer 1-1/2 OD x 15/32 ID x .250
42	596 23 89-01	Washer, 7/16 in, CLR, ZN
45	596 13 36-01	Locknut, KEPS, 1/4-20
62	532 43 40-17	Shield Heat Muffler
69	532 16 53-91	Gasket
70	581 88 11-01	Tube Exhaust LH
71	581 88 10-01	Tube Exhaust RH
79	596 13 42-02	Screw, Socket, 5/16-18 x 1, CLR, Zn
81	532 14 84-56	Tube Drain Oil Easy
82	532 42 82-87	Valve Oil Drain
84	817 06 06-20	Screw 3/8-16 x 1/4
85	581 33 28-04	Bolt 7/16-20 x 3.5 Gr. 5
90	817 00 06-16	Screw 3/8-16 x 1
91	532 18 74-95	Bushing 1.375 OD
102	817 00 05-12	Screw 5/16-18 x 3/4
105	501 26 72-02	Shield Side LH
106	501 26 82-02	Shield Side RH
108	587 17 95-09	Cover Eng. Pulley w/SHLD 38", 42"
115	532 43 17-61	Palnut #10
116	539 13 26-24	Knob-Shift
136	596 43 40-01	Screw #10 x 0.500, BOS Thread

**NOTE:** All component dimensions given in U.S. inches  
1 inch = 25.4 mm

TRACTOR - - MODEL NO. TS 142TX (96041043400), PRODUCT NO. 960 41 04-34  
STEERING ASSEMBLY **41**



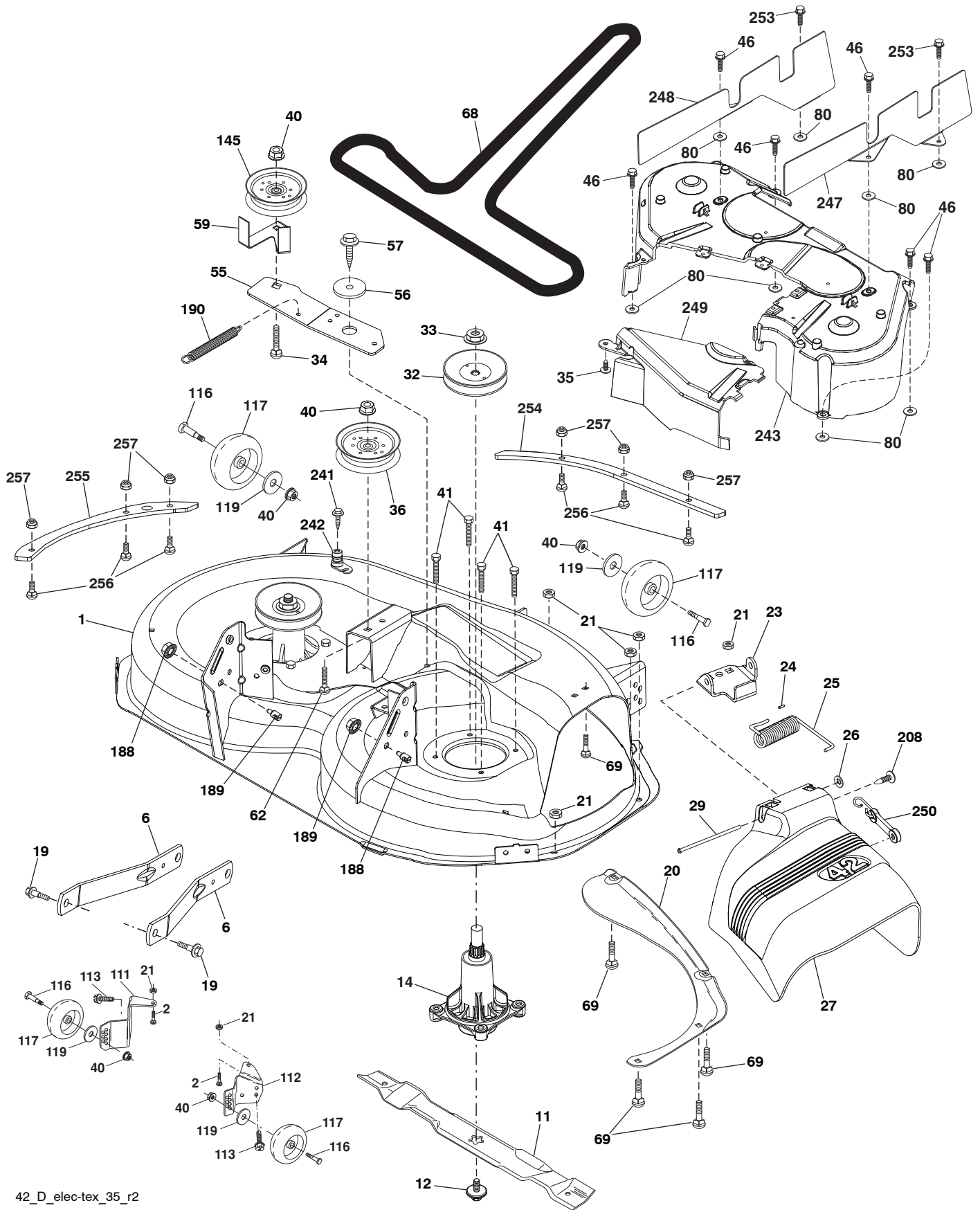
steering-tex\_HUSQSR11\_5

**TRACTOR - - MODEL NO. TS 142TX (96041043400), PRODUCT NO. 960 41 04-34  
STEERING ASSEMBLY **41****

<b>KEY NO.</b>	<b>PART NO.</b>	<b>DESCRIPTION</b>
1	597 86 61-01	Wheel, Steering, Kit (includes steering wheel and cap)
2	532 19 59-68	Axle Asm.
4	532 40 30-87	Spindle, LH
5	532 40 30-88	Spindle, RH
6	532 00 62-66	Washer, Thrust .75 x 1.230
7	532 12 17-48	Washer 25/32 x 1-5/8 x 16 Ga.
8	812 00 00-29	Ring, Klip #T5304-75
9	532 12 12-32	Cap, Spindle
13	532 12 17-49	Washer 25/32 x 1-1/4 x 16 Ga.
14	596 23 87-01	Washer, Spring Lock, 381ID x .680
15	873 54 06-00	Nut, Crown Lock 3/8-24 unf
16	587 01 60-02	Shaft Steering
19	532 19 47-29	Plate Steering
21	586 84 02-01	Adapter, Wheel Steering Splnd Alum
22	585 02 98-02	Bearing, Shaft, Steer Low
26	594 94 91-01	Cap, Wheel, Steering
27	596 93 34-01	Washer, Plain
28	817 00 06-12	Screw 3/8-16 x 3/4
35	532 19 47-32	Gear, Sector Plate
45	587 01 64-01	Washer 3/8 ID 2-3/8OD 12 Ga. PLTD
50	873 90 06-00	Nut Lock Flg. 3/8-16 unc
53	532 18 89-67	Washer Hardened .793 x 1.637 x .060
57	532 40 74-65	Bracket Upstop
58	532 19 47-47	Bolt Shoulder Sector Pivot CFM
59	532 19 47-48	Washer Thrust Sector Steering
60	873 97 10-00	Nut Flange Lock 5/8-11
61	597 07 02-02	Linkage, Draglink, ADJ, LH, CLR, ZN
62	597 07 03-02	Linkage, Draglink, RH, STNDRD, CLR
63	817 00 05-12	Screw 5/16-18 x 3/4
64	532 19 98-49	Retainer Clip Spring Steering
66	871 02 07-48	Bolt Hex Fghd 7/16-14 x 3 Serr
67	532 19 47-37	Bushing PM Front Axle
68	873 90 07-00	Nut Lock Flange 7/16-14 Gr. 5
69	532 19 91-62	Washer 1.5 x .505 x .118
70	585 33 88-01	Bracket Deck Susp. Front
75	580 68 37-01	Pinion
76	580 68 36-01	Screw Head Sock
122	532 44 49-62	Cap Gear Sector

**NOTE:** All component dimensions given in U.S. inches  
1 inch = 25.4 mm

TRACTOR - - MODEL NO. TS 142TX (96041043400), PRODUCT NO. 960 41 04-34  
MOWER DECK **44**



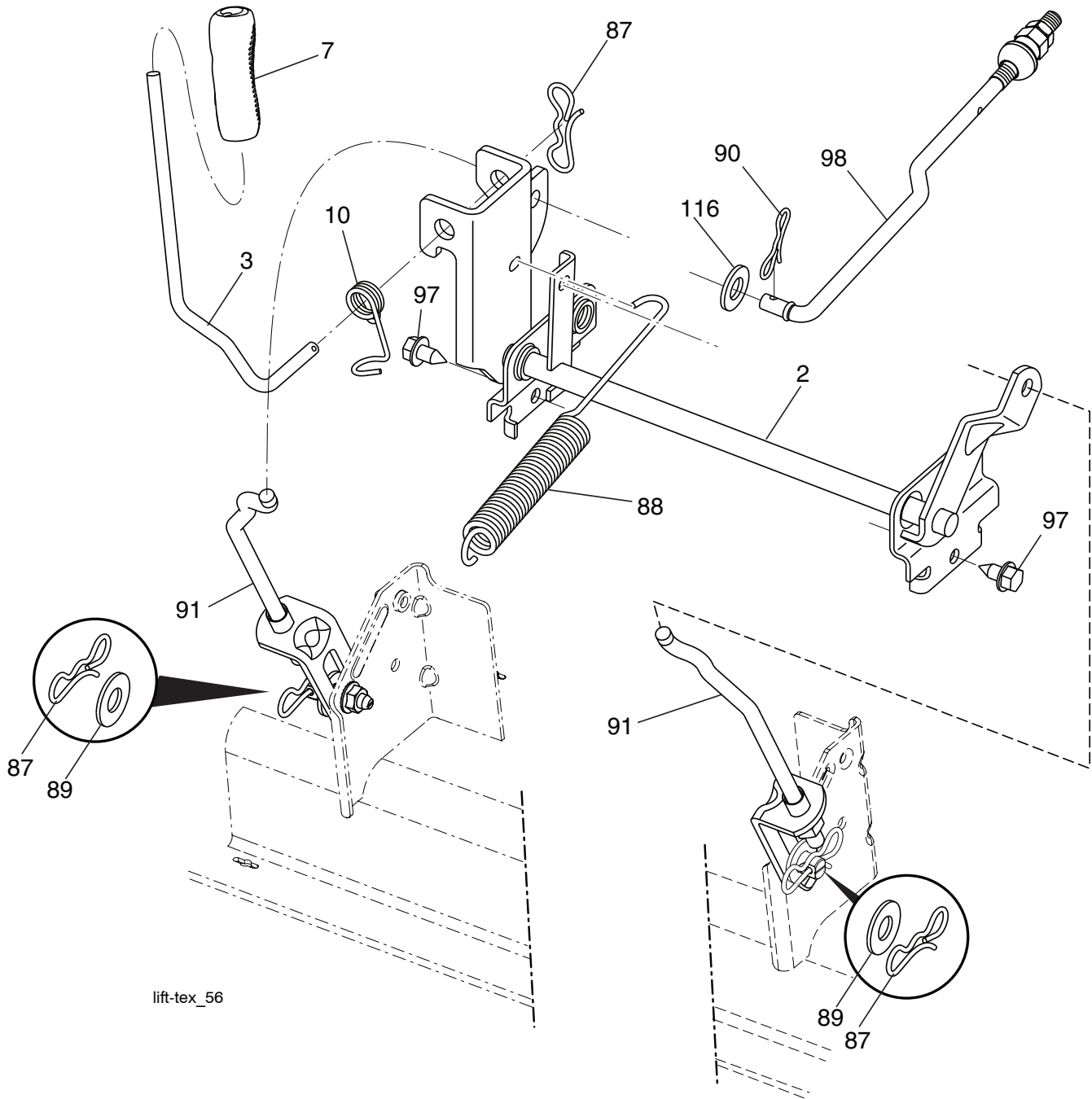
42\_D\_elec-tex\_35\_r2

**TRACTOR - - MODEL NO. TS 142TX (96041043400), PRODUCT NO. 960 41 04-34  
MOWER DECK 44**

KEY NO.	PART NO.	DESCRIPTION	KEY NO.	PART NO.	DESCRIPTION
1	583 93 50-01	Kit, SVC, Weldment	111	532 40 47-84	Bracket, Wheel, Guage, LH
2	595 90 16-01	Bolt, Cup, 5/16-18x3/4, CLR, ZNC	112	532 40 47-85	Bracket, Wheel, Guage, RH
6	532 19 51-86	Arm Susp. Rear	113	817 00 05-10	Bolt 5/16-18 Hex. Lx. Whs.
11	532 13 89-71	Blade Mower 42"	116	596 43 44-02	Bolt, Shoulder, 2.41 x 1.66 x 5"
12	584 30 93-01	Screw 7/16-20 x 1 Hex	117	589 52 74-01	Wheel, Gauge
14	587 81 97-01	Kit, Mandrel, Non Greaseable, Tall (includes mandrel asm. and bolts)	119	596 13 49-01	Washer Plain, 3/8 x 7/8
19	532 19 65-39	Bolt, Shoulder	145	532 19 31-97	Pulley Idler Primary
20	532 15 97-70	Baffle, Vortex	188	593 82 40-01	Stud w/"D" Anti-Rotation
21	596 04 05-01	Nut, Lock, Hex, PRVL 5/16-18	189	596 13 57-01	Nut, Lock, PRVL, Torq, 5/16-18x.68
23	532 19 25-57	Bracket, Deflector Mower 42"	190	532 19 72-51	Spring Mower Drive
24	532 10 53-04	Cap, Sleeve 80 x 112 Blk Mower	208	817 67 06-08	Screw 3/8-16 x 1/2
25	532 19 70-26	Spring, Torsion, Deflector	241	532 15 29-27	Screw TT #10-32.5. 3/8
26	532 11 04-52	Nut, Push Phos & Oil	242	532 41 55-98	Port Washout
27	597 31 65-01	Shield, Deflector 42" Blk	243	532 43 23-94	Cover, Deck
29	595 29 70-01	Rod, Hinge	247	532 43 02-61	Shield Deck RH
32	532 15 35-35	Pulley, Mandrel	248	532 43 02-60	Shield Deck LH
33	596 13 48-01	Nut, Hex, 9/16-18 x 1.01	249	532 40 65-14	Cover, Cable Clutch
34	596 13 61-01	Bolt, Cup Head, 3/8-16 x 1-1/2"	250	532 43 60-87	Kit Bungee
35	532 13 38-35	Fastner	253	532 42 73-50	Rivet Tuflok .25 x .24
36	532 19 73-79	Pulley, Idler, Flat	254	585 31 68-05	Reinforcement Plate Front
40	873 90 06-00	Nut Lock 3/8-16	255	585 31 70-05	Reinforcement Plate Side
41	584 95 39-01	Bolt Hex Wsh Hd 313-18 x 1.19	256	592 80 78-01	Bolt 1/4-20 x 1"
46	532 13 77-29	Screw 1/4-20 x 5/8	257	873 90 04-00	Nut 1/4-20 unc
55	532 43 71-10	Arm, Idler	--	598 46 31-01	ReplacementMower, Complete(Std. deck Order separately gauge wheel components Key Nos. 116-119)
56	532 19 90-92	Spacer, Retainer			
57	817 00 06-16	Screw 3/8-16 x 1			
59	532 14 10-43	Guard TUV Idler			
62	596 13 63-01	Bolt, Cup Head, 3/8-16 x 2			
68	532 14 49-59	V-Belt, 42" Mower			
69	596 13 64-01	Bolt, Cup Head, 5/16-18 x 5/8			
80	532 42 30-62	Palnut 1/4			

**NOTE:** All component dimensions given in U.S. inches  
1 inch = 25.4 mm

**TRACTOR - - MODEL NO. TS 142TX (96041043400), PRODUCT NO. 960 41 04-34**  
**MOWER LIFT 45**



lift-tex\_56

KEY NO.	PART NO.	DESCRIPTION
2	532 42 20-27	Shaft Asm., Lift
3	594 01 80-01	Lever, Lift Handle
7	580 96 23-01	Grip, Lever
10	532 19 63-14	Spring Torsion
87	532 19 42-09	Pin Cotter 7/16 Bow Tie Lock
88	532 41 07-10	Spring Lift Assist
89	819 19 19-12	Washer Clear Zinc
90	532 19 42-08	Pin Cotter 5/16 Bow Tie Lock

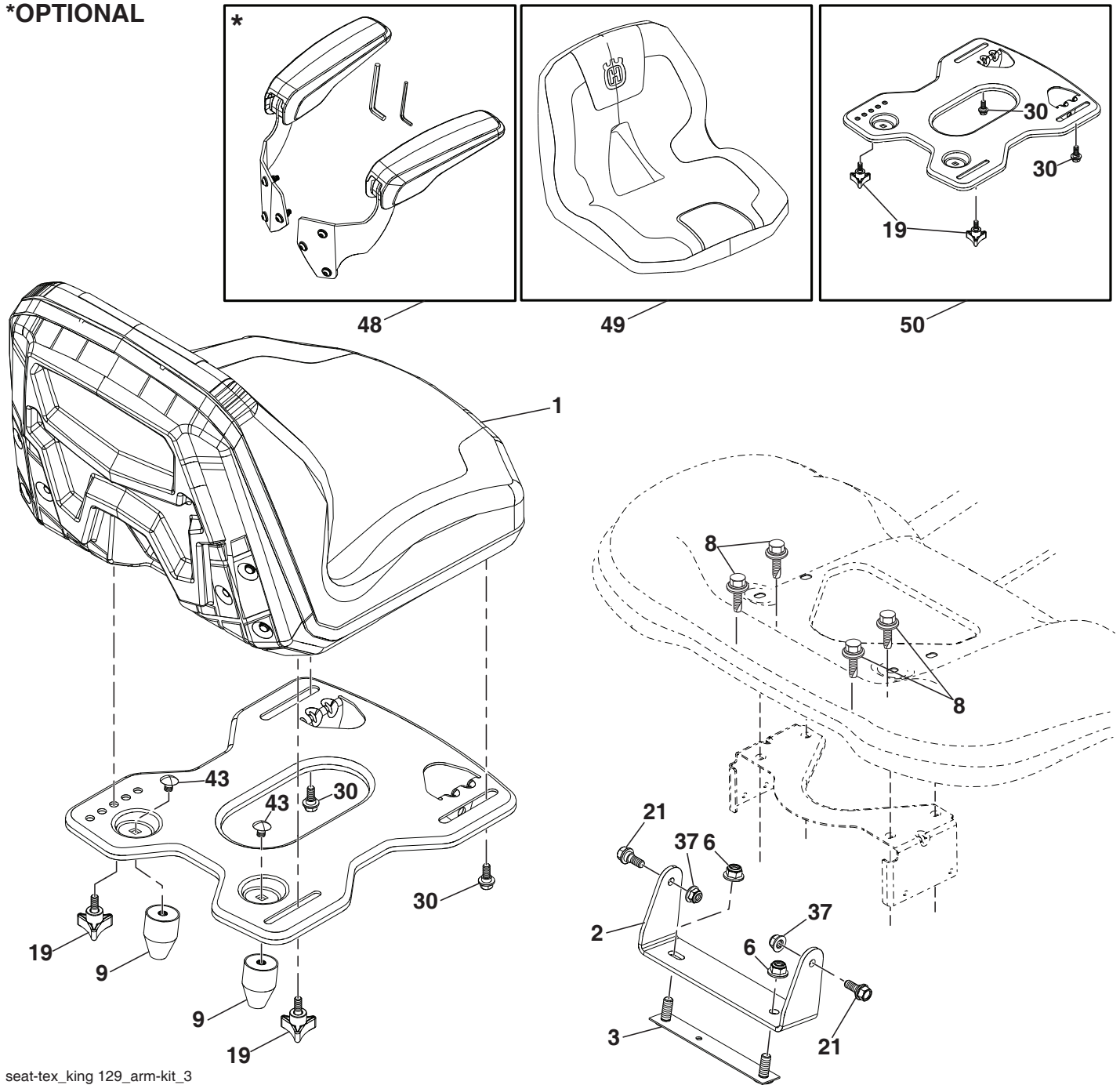
KEY NO.	PART NO.	DESCRIPTION
91	589 46 48-03	Link Assy, Lift, Rear
97	817 00 06-12	Screw 3/8-16 x .75 Smgml Tap/R.Z
98	581 50 69-03	Link Assy, Front MWR Susp
116	594 97 65-01	Washer 15/32 x 15/16 x .065

**NOTE:** All component dimensions given in U.S. inches  
 1 inch = 25.4 mm



**TRACTOR - - MODEL NO. TS 142TX (96041043400), PRODUCT NO. 960 41 04-34  
SEAT ASSEMBLY 42**

**\*OPTIONAL**



seat-tex\_king 129\_arm-kit\_3

KEY NO.	PART NO.	DESCRIPTION
1	597 65 81-01	Seat, SK150/129 w/o Armrests (includes seat cover key# 49)
2	597 32 99-02	Bracket, PNT, PVT, FNDR, Seat EDIP
3	590 77 76-02	Bracket Asm, Reinfor FNDR, EDIP
6	521 99 65-02	Nut, Hex, Lock w/Flange 3/8-16
8	532 17 18-77	Bolt 5/16-18 unc x 3/4 w/Sems
9	597 78 51-01	Bumper, Rubber, Isolator
19	597 78 31-01	Knob, 3 Wing 5/16-18, CLR, ZN
21	596 24 07-01	Bolt, Hex 5/16-18 x 21/32

KEY NO.	PART NO.	DESCRIPTION
30	597 78-18-01	Bolt, Hex, Should 5/16-18 unc ZPB
37	594 94 44-01	Nut, Hexagon, Flange 5/16-18
43	597 86 93-01	Bolt, Carri, Cqur 3/8 x .45, CLR, ZN
48	597 65 82-03	Service Kit, 15", Seat Arm
49	597 95 94-01	Cover, Husq. 15", (SK129) Seat
50	598 00 16-01	Service, Kit, Seat Pan (includes all components illustrated in box for Key# 50)

**NOTE:** All component dimensions given in U.S. inches  
1 inch = 25.4 mm

