



Husqvarna®



RA-V

EN	Operator's manual	2-11
ES-MX	Manual del usuario	12-21
FR-CA	Manuel d'utilisation	22-31

Contents

Introduction.....	2	Maintenance.....	8
Safety.....	3	Transportation, storage and disposal.....	11
Operation.....	6	Technical data.....	11
Assembly.....	7		

Introduction

Product description

We have a policy of continuous product development and therefore reserve the right to modify the design and appearance of the products without prior notice.

Note: This manual cover gasoline operated power units.

Intended use

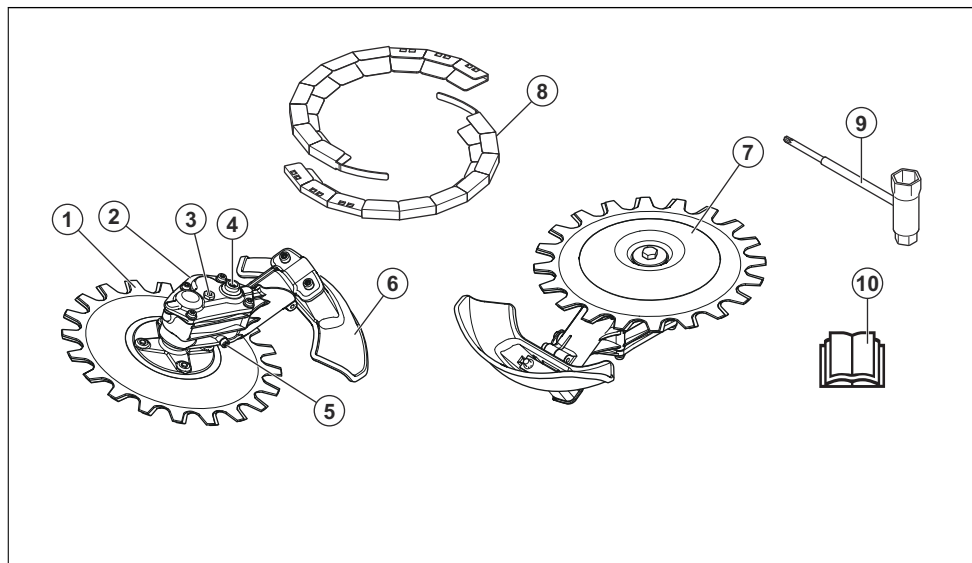


WARNING: The cutting attachment must only be used together with compatible products. Refer to the operator's manual of the product.

The cutting attachment is used to cut grass and twigs.

Note: National regulations can set limit to the operation of the product.

Cutting attachment overview



- | | |
|-------------------------------------|-----------------------------|
| 1. Blade | 6. Cutting attachment guard |
| 2. Gear housing | 7. Support cup |
| 3. Plug for filling lubricant | 8. Transport guard |
| 4. Socket for moving blade manually | 9. Combination spanner |
| 5. Plug for discharge lubricant | 10. Operator's manual |

Symbols on the attachment

yyyywwxxxx

The serial label shows serial number. **yyyy** is the production year and **ww** is the production week.

Note: Other symbols/decals on the attachment refer to special certification requirements for certain markets.

Safety

Safety definitions

Warnings, cautions and notes are used to point out specially important parts of the operator's manual.



WARNING: Used if there is a risk of injury or death for the operator or bystanders if the instructions in the manual are not obeyed.



CAUTION: Used if there is a risk of damage to the product and/or the attachment, other materials or the adjacent area if the instructions in the manual are not obeyed.

Note: Used to give more information that is necessary in a given situation.

General safety instructions



WARNING: Read the safety instructions that follow before you use the attachment.

- Please read the operator's manual carefully and make sure you understand the instructions before using the attachment.
- These instructions supplement the instructions that were included with the product. For other procedures, please refer to the operating instructions for the product.
- Under no circumstances may the design of the attachment be modified without the permission of the manufacturer. Do not use an attachment that appears to have been modified by others and always use original accessories. Non-authorized modifications and/or accessories can result in serious personal injury or the death of the operator or others.
- Overexposure to vibration can lead to circulatory damage or nerve damage in people who have impaired circulation. Contact your doctor if you experience symptoms of overexposure to vibration. Such symptoms include numbness, loss of feeling, tingling, pricking, pain, loss of strength, changes in skin color or condition. These symptoms normally appear in the fingers, hands or wrists. These symptoms may be increased in cold temperatures.

Safety instructions for operation



WARNING: Read the warning instructions that follow before you use the product.

- Only use the product for operations that are given in this manual. Refer to *Recommended use for the cutting attachment on page 6*.
- Do not use the product if you are not sure about if you can operate it.
- Do not operate this product when you are tired, ill, or if you use alcohol, drugs or medicine. This can decrease your vision, your judgment or your coordination.
- Do not use the product if you cannot get aid if an accident occurs.
- Do not use the product if there are signs of damage.
- Make sure that the cutting attachment always stops when the engine is at idle speed.
- Make sure that no one comes nearer than 15 m / 50 ft when you cut. Make sure that only approved persons are in the work area.
- Do not let children use or come near the product.
- Keep the work area clean and bright. Do not use the product in bad weather, for example in fog, heavy rain, strong winds, intense cold, risk of lightning.
- If something gets caught in the blades during operation, stop the engine and wait until the blades do not move. Remove the spark plug cap from the spark plug. Put the combination wrench in the gear housing socket to move the blades, refer to *To sharpen the blades on page 9*.
- If the blades are damaged during operation, the top blade and lower blade can get caught in each other. Do not touch the blades, they can move suddenly and cause injury.
- Make sure that you are in a safe and stable position during operation.
- The product can cause objects to eject at high speed. Make sure that all persons in the work area use approved personal protective equipment. Remove loose objects from the work area.
- Monitor the work area when you wear hearing protection. Always remove your hearing protection when the engine stops.
- If the product has unusual vibration, stop the engine and remove the spark plug cap from the spark plug. Check immediately for the cause. Vibration is usually a warning of damage.

- Do not go away from the product when the engine is on.
- Hold the product with 2 hands. Hold the product on the right of your body. Operate the product with the cutting attachment below your waist.



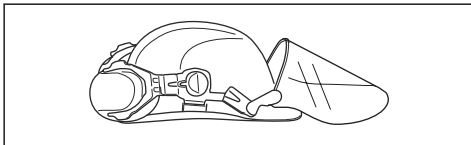
- The cutting attachment must cut away from the operator. To cut in the direction the operator can cause serious injury.
- Make sure your hands and feet do not come near the blades when the engine is on.

Personal protective equipment



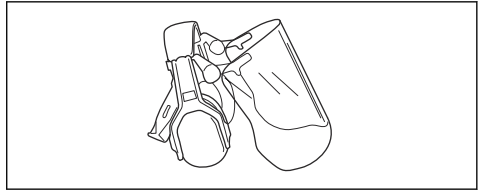
WARNING: Read the warning instructions that follow before you use the product.

- Always use approved personal protective equipment when you use the product. Personal protective equipment cannot fully prevent injury but it decreases the degree of injury if an accident does occur. Let your dealer help you select the right equipment.
- Use a protective helmet where there is a risk of falling objects.

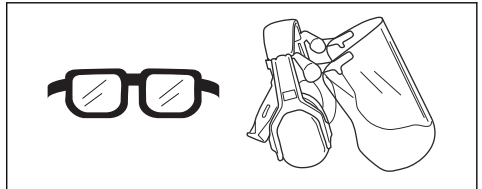


- Use approved hearing protection that provides adequate noise reduction. Long-term exposure to noise can result in permanent hearing impairment. Husqvarna AB recommends that operators use hearing protectors when using products for a longer coherent time of a day. Continual and regular users should have their hearing checked regularly. Note

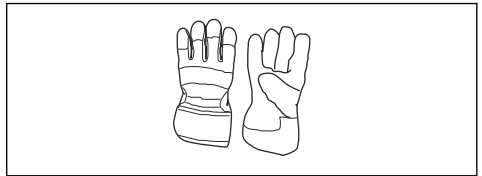
that hearing protectors limit the ability to hear sounds and warning signals.



- Use approved eye protection. If you use a visor, you must also use approved protective goggles. Approved protective goggles must agree with the ANSI Z87.1 standard in the USA or EN 166 in EU countries.



- Use gloves when it is necessary, for example, when you examine or clean the product.

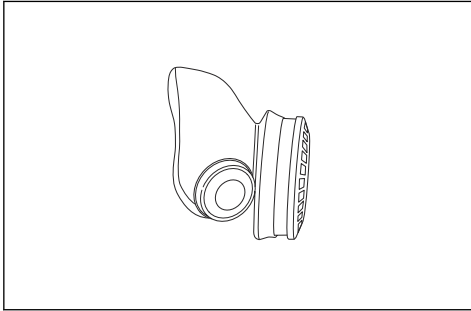


- Use protective boots, or shoes, with non-slip soles.



- Use clothing made of a strong fabric. Always use heavy, long pants and long sleeves. Do not use loose clothing that can catch on twigs and branches. Do not wear jewelry, short pants, open shoes or go with bare feet. Put your hair up safely above your shoulders.

- Use breathing protection when there is a risk of dust.



- Keep first aid equipment close at hand.



Safety devices on the attachment



WARNING: Read the warning instructions that follow before you use the attachment.

This section contains the attachment's safety features, its purpose and how checks and maintenance should be carried out to ensure that it operates correctly. See instructions under the heading *Cutting attachment overview on page 2* to find where these parts are located on your attachment.

The life span of the attachment can be reduced and the risk of accidents can increase if attachment maintenance is not carried out correctly and if service and/or repairs are not carried out professionally. If you need further information please contact your nearest servicing dealer.



WARNING: Never use an attachment with defective safety components. The attachment's safety equipment must be inspected and maintained as described in this section. If your attachment fails any of these checks, contact your service agent to get it repaired.



WARNING: All servicing and repair work on the product requires special training. This is especially true of the product's safety equipment. If your product fails any of the checks described below you must contact your service agent. When you buy any of our products we guarantee the availability of professional repairs and service. If the retailer who sells your product is not a

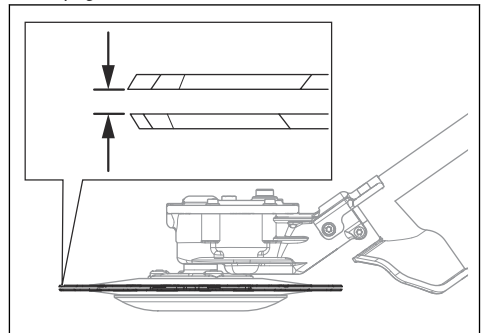
servicing dealer, ask him for the address of your nearest service agent.

To do a check of the cutting attachment and the cutting attachment guard

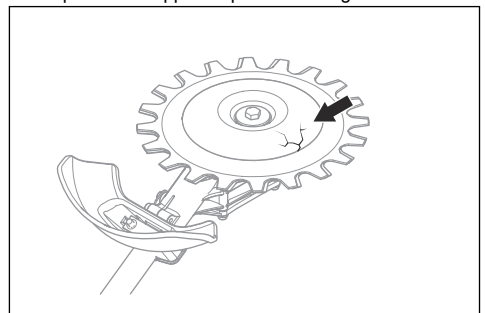


WARNING: Do not use a cutting attachment without an approved cutting attachment guard. If an incorrect or defective cutting attachment guard is installed, it can cause injury.

1. Stop the engine and make sure that the cutting attachment stops.
2. Remove the spark plug cap from the spark plug.
3. Put on protective gloves.
4. Make sure that the blades are not damaged. Replace the blades if they are damaged. Refer to *To replace the blades on page 9*.
5. Examine the blades. Make sure that there is no clearance between the blades. If there is a clearance between the blades, the blades must be adjusted. Refer to *To adjust the clearance between the blades on page 10*.

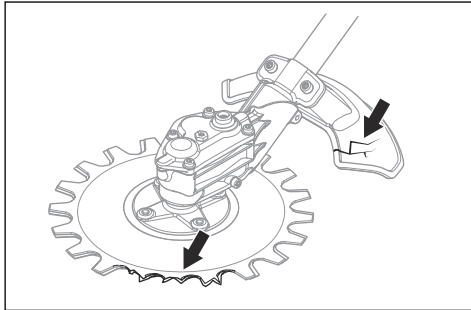


6. Make sure that the support cup is not damaged. Replace the support cup if it is damaged.



7. Make sure that the screws on the cutting attachment are tightened.

8. Make sure that the blades and the cutting attachment guard is not damaged. Replace damaged parts.



Safety instructions for maintenance

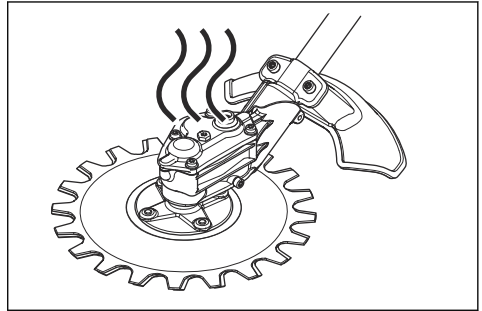


WARNING: The cutting attachment can continue to rotate after the throttle trigger has been released. Remove the spark plug cap from the spark plug. Make sure that the

cutting attachment has stopped fully before you do maintenance.



WARNING: The gear housing gets hot during operation of the product. Hot surfaces can burn you, do not touch the gear housing.



- Always wear heavy-duty gloves when you repair the cutting attachment. The cutting equipment is very sharp and can easily cause cuts.
- Use only original spare parts for repairs.

Operation

The working technique



WARNING: Branches or grass can get caught between the cutting attachment guard and the cutting attachment. Always stop the engine before you clean the cutting attachment.

- Use full throttle when you cut and decrease to idle speed after each cut.

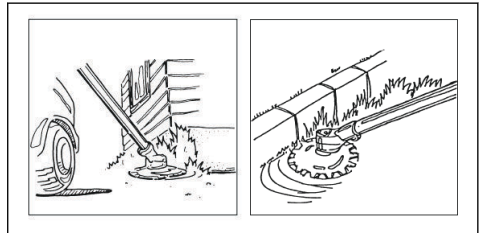


CAUTION: Engine damage can occur if the engine runs for too long at full throttle without load.

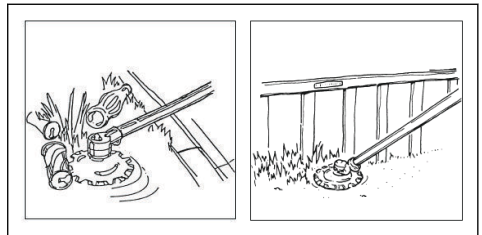
Recommended use for the cutting attachment

The cutting attachment blades moves with a small angle and can cut in all directions. Move the cutting attachment along the ground at a height where the support cup touches the ground. Use the cutting attachment to cut:

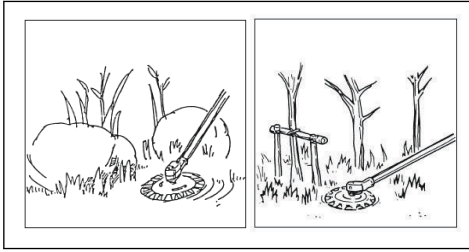
- Park areas and road edges.



- Road side and near fences.



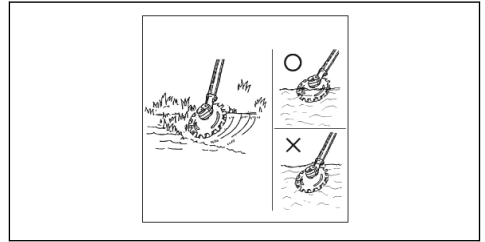
- Around stones and trees.



- Near water.



CAUTION: Do not put the gear housing in water.



Assembly

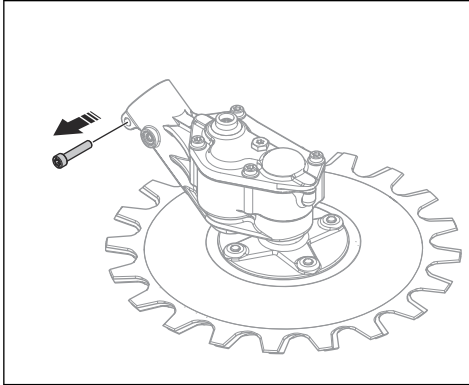
To install the cutting unit

Note: The cutting attachment must only be installed to a grass trimmer. Refer to *Intended use on page 2*.

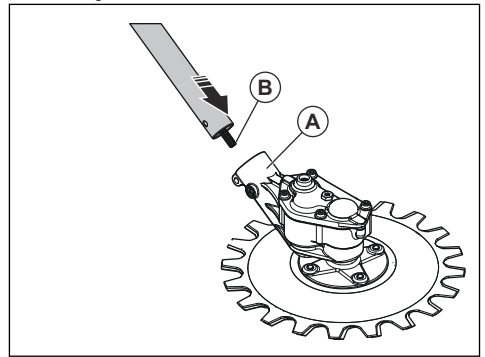


WARNING: Use protective gloves when you hold the blades.

1. Remove the clamp screw from the gear housing.

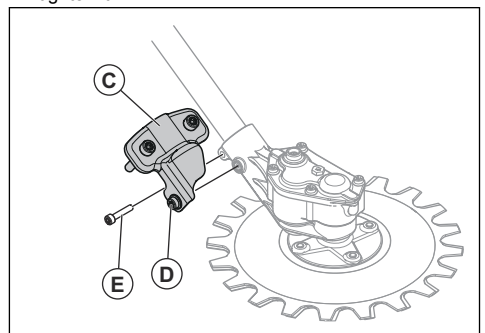


2. Put the shaft (B) into the gear housing (A). Make sure that the drive shaft engages in the gear housing.



CAUTION: Make sure that the holes are aligned. If the holes are not aligned, the gear housing can be damaged.

3. Install the clamp (C) and tighten the lock screw (D). Install the clamp screw (E) for the gear housing and tighten it.

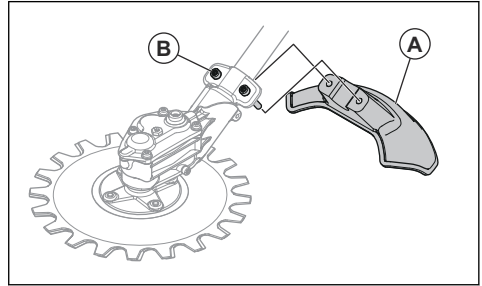


To install the cutting attachment guard



WARNING: Do not use the product without a cutting attachment guard

- Install the cutting attachment guard (A). Tighten the screws (B) equally.



Maintenance

Introduction

Below you will find some general maintenance instructions. If you need further information please contact your service workshop.

Maintenance schedule

Below is a list of the maintenance steps that must be done on the cutting attachment.

Maintenance	Daily	Weekly	Monthly
Clean the external parts of the product.	X		
Make sure that the blades are not damaged. Replace the blades if they are damaged.	X		
Make sure that the cutting attachment guard is not damaged. Replace the cutting attachment guard if it is damaged.	X		
Make sure that the support cup is not damaged. Replace the support cup if it is damaged.	X		
Make sure that the screws and nuts are tight.	X		
Fill the gear housing with grease, approximately each 100 work hours.		X	

Note: The operator must only do the maintenance and service on the cutting attachment that is given in this operator's manual. Other maintenance and service must be done by an approved service workshop.

To clean and lubricate the blades

1. Clean the blades from unwanted materials before and after you use the product.
2. Lubricate the blades before long periods of storage.

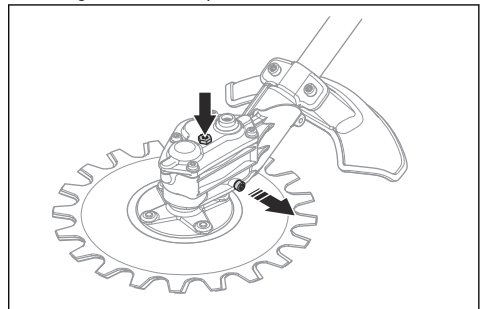
Note: Speak to your servicing dealer for more information about recommended cleaning agents and lubricants.

To lubricate the gear housing



CAUTION: Do not fill the gear housing fully. If the gear housing is full, the grease can cause damage to the seals and cause leakage.

1. Remove the grease plugs.
2. Add grease to the top hole.



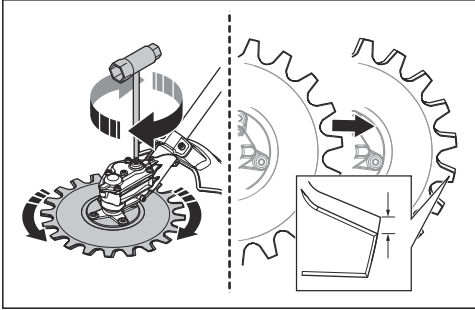
3. Install the grease plugs.

To sharpen the blades

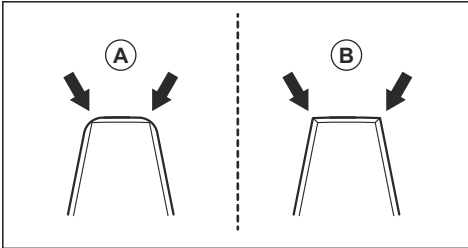


WARNING: Use protective gloves when you hold the blades.

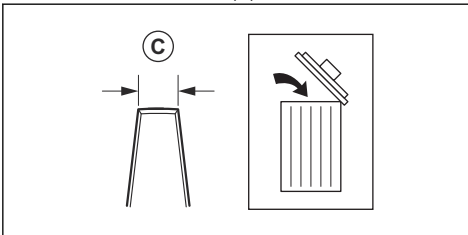
1. Put the combination wrench in the socket on the gear housing.
2. Turn the combination wrench until there is a 3 mm/ 0.12 in. difference between the top blade and the lower blade.



3. Sharpen the edges (B) that you can access with a grinder. Make sure not to make the edges rounded (A).



4. Turn the combination wrench in the opposite direction to get access to the opposite edges.
5. Sharpen the edges that you can access with a grinder.
6. Replace the blades when the width of the tooth is less than 8 mm/0.32 in. (C).



To replace the blades



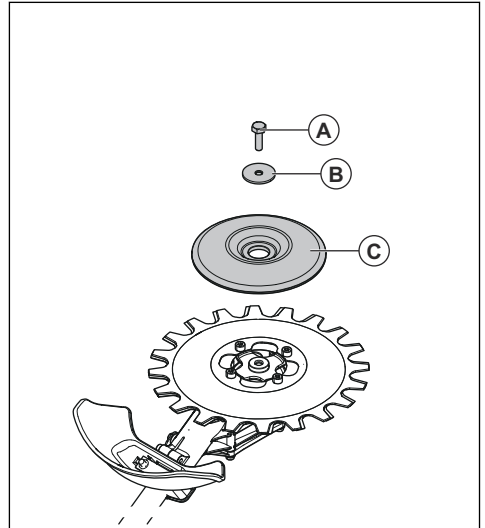
WARNING: Use protective gloves when you hold the blades.



WARNING: To prevent unbalance and vibrations in the product, clean the cutting attachment when you replace the blades.

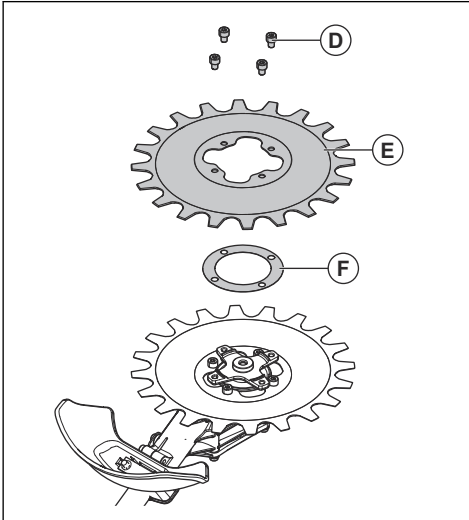
Note: The blades are interchangeable.

1. Remove the center screw (A), the washer (B) and the support cup (C).

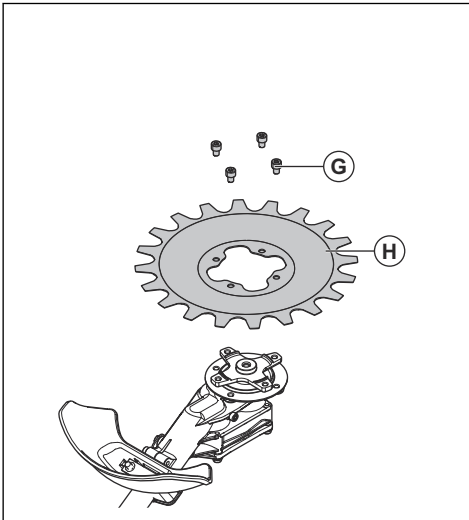


Note: The center screw has a left hand thread

- Remove the 4 screws (D), the lower blade (E) and the shim (F).



- Remove the 4 screws (G) and the top blade (H).



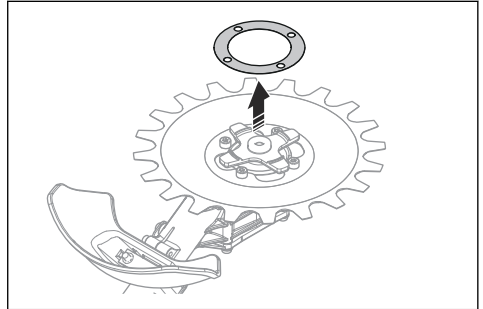
- Install the blades in opposite sequence. Tighten the screws equally when you install the blades.
- Torque the screws (G) to 9-12 Nm.
- Torque the screws (D) to 9-12 Nm.
- Torque the center screw (A) to 15-20 Nm.

To adjust the clearance between the blades



WARNING: Use protective gloves when you hold the blades.

- Remove the lower blade, refer to *To replace the blades on page 9*.
- Remove the shim.



Note: Save the shim until it is time to replace the blades.

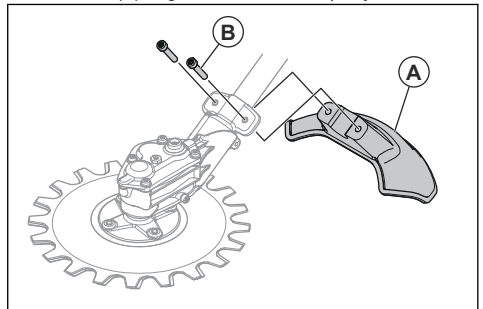
- Install the lower blade. Tighten the screws equally when you install the blades.

To replace the cutting attachment guard



WARNING: Use protective gloves when you hold the blades.

- Remove the 2 screws (B) and the cutting attachment guard (A).
- Install the new cutting attachment guard (A) with the 2 screws (B). Tighten the screws equally.



Transportation, storage and disposal

Transport and storage

- Make sure that the transport guard is attached correctly to the cutting attachment when the product is not in use, is transported or is in storage.
- Keep the cutting attachment in a locked area to prevent access for children or persons that are not approved.
- Attach the cutting attachment safely during transportation to prevent damage and accidents.
- Make sure that the cutting attachment is clean and that a complete service is done before long time storage.

Technical data

Technical data

RA-V	
Weight	
Weight, lbs/kg	4.4/2.0
Blades	
Diameter, inch/mm	9/230
Blade speed, cuts/min	4600

Contenido

Introducción.....	12	Mantenimiento.....	18
Seguridad.....	13	Transporte, almacenamiento y eliminación de residuos.....	21
Funcionamiento.....	17	Datos técnicos.....	21
Montaje.....	17		

Introducción

Descripción de la máquina

Husqvarna AB tiene una política de desarrollo continuo de productos y, por lo tanto, se reserva el derecho de modificar el diseño y el aspecto de los productos sin previo aviso.

Tenga en cuenta: Este manual abarca las unidades de alimentación que funcionan con gasolina.

El equipo de corte se utiliza para cortar césped y ramas pequeñas.

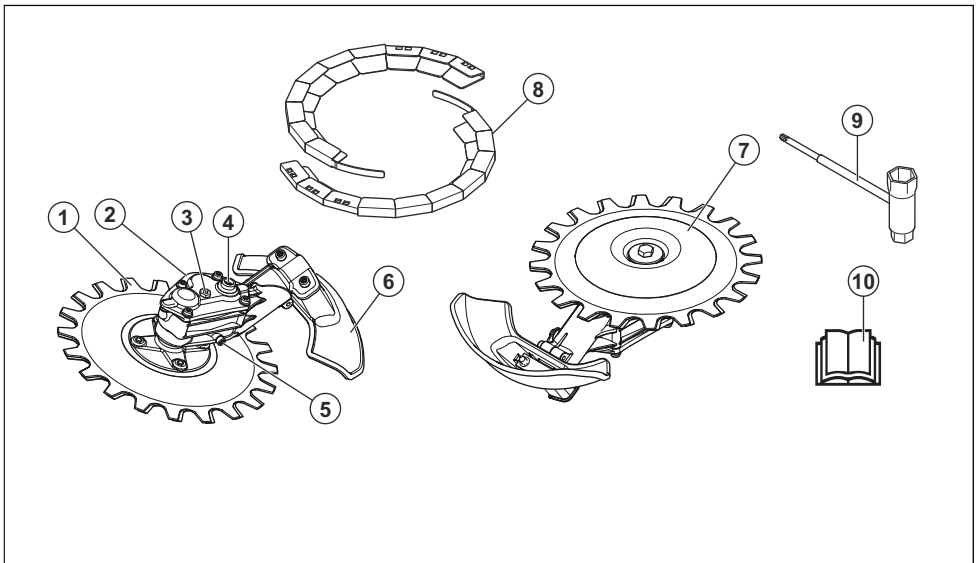
Tenga en cuenta: Las normativas nacionales pueden establecer un límite para el funcionamiento del producto.

Uso previsto



ADVERTENCIA: El equipo de corte solo se debe utilizar en conjunto con productos compatibles. Consulte el manual de usuario del producto.

Descripción general del equipo de corte



1. Hoja
2. Caja de engranajes
3. Tapón para agregar lubricante
4. Casquillo para mover la cuchilla manualmente
5. Tapón para descargar lubricante
6. Protección del equipo de corte

7. Cazoleta de apoyo
8. Protección para transporte
9. Llave combinada
10. Manual del usuario

Tenga en cuenta: Otros símbolos o etiquetas en el equipo hacen referencia a requisitos de certificación especiales para ciertos mercados.

Símbolos en el accesorio

yyyywwxxxx

La etiqueta con el número de serie muestra el número de serie. **yyyy** es el año de fabricación y **ww** es la semana de producción.

Seguridad

Definiciones de seguridad

Las advertencias, precauciones y notas se utilizan para señalar las piezas particularmente importantes del manual del usuario.



ADVERTENCIA: Se utilizan para señalar el riesgo de lesiones graves o mortales para el operador o para aquellos que se encuentren cerca si no se siguen las instrucciones del manual.



AVISO: Se utilizan para señalar el riesgo de dañar el producto o accesorio, otros materiales o el área adyacente si no se respetan las instrucciones del manual.

Tenga en cuenta: Se utilizan para entregar más información necesaria en situaciones particulares.

Instrucciones generales de seguridad



ADVERTENCIA: Lea las siguientes instrucciones de seguridad antes de usar el accesorio.

- Lea cuidadosamente el manual de usuario y asegúrese de que entienda las instrucciones antes de utilizar el accesorio.
- Estas instrucciones son un complemento de las instrucciones que se incluyen con el producto. Para otros procedimientos, consulte las instrucciones de operación del producto.
- Bajo ninguna circunstancia podrá modificar el diseño del accesorio sin el permiso del fabricante. No utilice un accesorio que parezca haber sido modificado por otras personas y utilice siempre los accesorios originales. Las modificaciones o accesorios no autorizados pueden provocar daños personales o la muerte del operador u otras personas.
- La sobreexposición a las vibraciones puede producir trastornos vasculares o nerviosos en personas que padecen de trastornos circulatorios. Póngase en contacto con su médico si experimenta síntomas de

la sobreexposición a las vibraciones. Estos síntomas son entumecimiento, pérdida de sensibilidad, hormigueo, ardor, dolor, pérdida de fuerza, cambios en el color o el estado de la piel. Normalmente, estos síntomas se presentan en los dedos, manos o muñecas. Estos síntomas pueden empeorar con bajas temperaturas.

Instrucciones de seguridad para el funcionamiento



ADVERTENCIA: Lea atentamente las instrucciones de advertencia siguientes antes de usar el producto.

- Solo utilice el producto para las operaciones que se describen en este manual. Consulte *Uso recomendado del equipo de corte en la página 17*.
- No utilice el producto si no está seguro de que es capaz de utilizarlo.
- No utilice este producto cuando esté cansado, enfermo, o si consume alcohol, drogas o medicamentos. Esto puede disminuir su visión, su capacidad de discernimiento o su coordinación.
- No utilice el producto si no puede recibir ayuda en caso de que ocurra accidente.
- No utilice el producto si observa signos de daños.
- Asegúrese de que el equipo de corte siempre se detenga cuando el motor se encuentre en régimen de ralentí.
- Asegúrese de que nadie se aproxime a menos de 15 m/50 pies cuando realice cortes. Asegúrese de que solo personas autorizadas estén en la zona de trabajo.
- No deje que los niños se acerquen al producto ni que lo usen.
- Mantenga el área de trabajo limpia y despejada. No utilice el producto en condiciones meteorológicas adversas, por ejemplo, en caso de niebla, lluvia intensa, vientos fuertes, frío intenso o riesgo de relámpagos.
- Si algo se atasca en las cuchillas durante el funcionamiento, detenga el motor y espere hasta que las cuchillas dejen de moverse. Quite el

sombrerete de bujía de la bujía. Inserte la llave combinada en la cavidad de la caja de engranajes para mover las cuchillas, consulte *Para afilar las cuchillas en la página 19.*

- Si las cuchillas se dañan durante el funcionamiento, la cuchilla superior y la inferior pueden quedar atascadas entre sí. No toque las cuchillas, ya que pueden moverse repentinamente y causar lesiones.
- Asegúrese de encontrarse en una posición segura y estable durante la operación.
- El producto puede hacer que los objetos salgan eyectados a alta velocidad. Asegúrese de que todas las personas en el área de trabajo utilicen equipos de protección personal aprobados. Retire los objetos sueltos del área de trabajo.
- Supervise el área de trabajo cuando utilice protectores auriculares. Siempre retire sus protectores auriculares cuando se detenga el motor.
- Si el producto presenta vibraciones inusuales, apague el motor y retire el sombrerete de bujía de la bujía. Revise de inmediato para encontrar la causa. La vibración suele ser una advertencia de daños.
- No se aleje del producto cuando el motor esté en marcha.
- Sostenga el producto con ambas manos. Mantenga el producto a la derecha de su cuerpo. Utilice el producto con el equipo de corte por debajo de la cintura.



- El equipo de corte debe usarse en dirección opuesta al operador. Cortar en la dirección en la que se encuentra el operador puede causar daños graves.
- Asegúrese de que las manos y los pies no se acerquen a las cuchillas cuando el motor esté en funcionamiento.

Equipo de protección personal

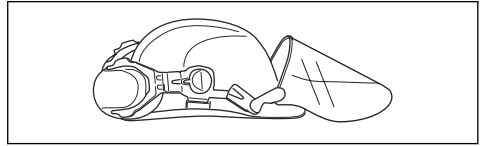


ADVERTENCIA: Lea atentamente las instrucciones de advertencia siguientes antes de usar el producto.

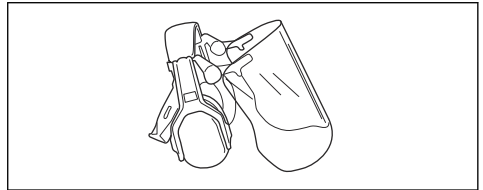
- Utilice siempre el equipo de protección personal adecuado cuando use el producto. El equipo de protección personal no puede impedir el riesgo de lesiones, pero disminuirá el grado de lesión si ocurre

un accidente. Permita que su distribuidor le ayude seleccionar el equipo adecuado.

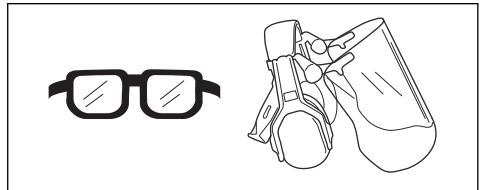
- Utilice un casco protector cuando exista el riesgo de caída de objetos.



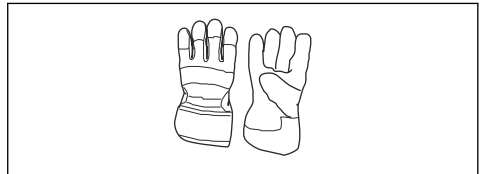
- Utilice protectores auriculares aprobados que proporcionen una reducción de ruido adecuada. La exposición prolongada al ruido puede causar la pérdida permanente de la audición. Husqvarna AB recomienda que los operadores utilicen protectores auriculares cuando utilicen productos durante días enteros. Los usuarios recurrentes y habituales deben procurar acudir a exámenes auditivos con regularidad. Tenga en cuenta que los protectores auriculares limitan la capacidad de escuchar sonidos y señales de advertencia.



- Use protección ocular homologada. Si utiliza un visor, también debe usar gafas protectoras homologadas. Las gafas protectoras homologadas deben cumplir con la norma ANSI Z87.1 de EE. UU. o con EN 166 en los países de la UE.



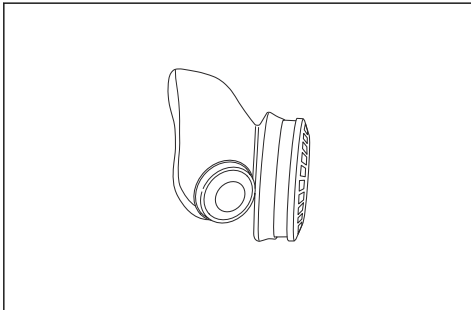
- Utilice guantes cuando sea necesario, por ejemplo, cuando examine o limpie el producto.



- Utilice botas o zapatos de protección con suelas antideslizantes.



- Utilice ropa de material resistente. Use siempre pantalones largos y gruesos, y mangas largas. Evite usar ropas holgadas que se puedan enganchar con ramas. No trabaje con joyas, pantalones cortos, calzado con aberturas ni con los pies descalzos. Ate su cabello por encima de sus hombros.
- Utilice una protección respiratoria cuando haya riesgo de polvo.



- Mantenga un equipo de primeros auxilios a mano.



Dispositivos de seguridad en el accesorio



ADVERTENCIA: Lea cuidadosamente las siguientes instrucciones de advertencia antes de usar el accesorio.

En esta sección se describen las características de seguridad del accesorio y su propósito y cómo deben llevarse a cabo las comprobaciones y el mantenimiento para asegurarse de que funciona correctamente. Consulte las instrucciones bajo el título *Descripción general del equipo de corte en la página 12* para ver dónde están situadas estas piezas en el accesorio.

La vida útil del accesorio se puede reducir y el riesgo de accidentes puede aumentar si el mantenimiento del accesorio no se realiza correctamente y si el servicio o

las reparaciones no se llevan a cabo de forma profesional. Si necesita más información, comuníquese con su taller de servicio más cercano.



ADVERTENCIA: No utilice nunca un accesorio con componentes de seguridad defectuosos. El equipo de seguridad del accesorio se debe inspeccionar y mantener tal como se describe en esta sección. Si el accesorio no pasa exitosamente alguna de estas comprobaciones, póngase en contacto con el taller de servicio para que lo reparen.



ADVERTENCIA: Todos los trabajos de mantenimiento y reparación del producto requieren una formación especial. Esto aplica especialmente al equipo de seguridad del producto. Si el producto no pasa exitosamente alguna de las comprobaciones indicadas a continuación, póngase en contacto con el taller de servicio. La compra de alguno de nuestros productos le garantiza la disponibilidad de mantenimiento y servicio profesionales. Si el comerciante que vende el producto no es un concesionario de servicio, pídale la dirección del taller de servicio más cercano.

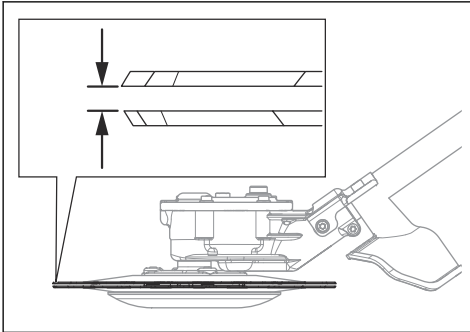
Para revisar el equipo de corte y la protección del equipo de corte



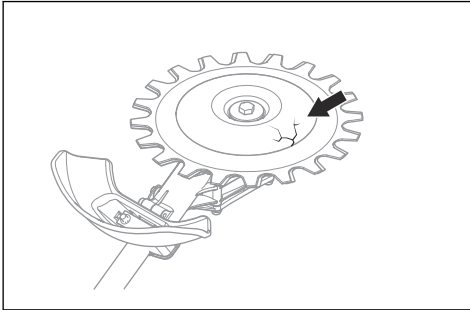
ADVERTENCIA: No utilice un equipo de corte sin una protección aprobada. Si se instala una protección del equipo de corte incorrecta o defectuosa, puede provocar lesiones.

1. Detenga el motor y asegúrese de que el equipo de corte se detenga.
2. Quite el sombrerete de bujía de la bujía.
3. Utilice guantes protectores.
4. Asegúrese de que las cuchillas no estén dañadas. Reemplace las cuchillas si están dañadas. Consulte *Para sustituir las hojas en la página 20*.

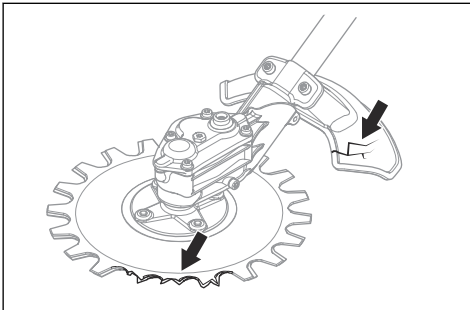
5. Examine las cuchillas. Asegúrese de que no haya separación entre las cuchillas. Si existe una separación entre las cuchillas, estas se deben ajustar. Consulte *Para ajustar la separación entre las cuchillas en la página 21*.



6. Asegúrese de que la cazoleta de apoyo no presente daños. Reemplácela si está dañada.



7. Asegúrese de que los tornillos del equipo de corte estén apretados.
8. Asegúrese de que las cuchillas y la protección del equipo de corte no presenten daños. Cambie las piezas dañadas.



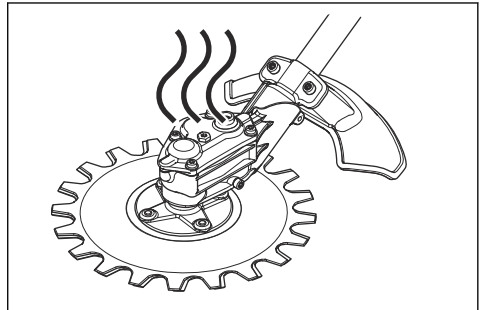
Instrucciones de seguridad para el mantenimiento



ADVERTENCIA: El equipo de corte puede seguir girando después de soltar el acelerador. Quite el sombrerete de bujía de la bujía. Asegúrese de que el equipo de corte se haya detenido completamente antes de realizar tareas de mantenimiento.



ADVERTENCIA: La caja de engranajes se calienta durante el funcionamiento del producto. Las superficies calientes le pueden ocasionar quemaduras, por ende, se recomienda que no toque la caja de engranajes.



- Siempre utilice guantes para trabajo pesado cuando repare el equipo de corte. El equipo de corte es muy afilado y puede provocar cortes fácilmente.
- Utilice únicamente piezas de repuesto originales para las reparaciones.

Funcionamiento

Técnica de trabajo



ADVERTENCIA: Las ramas o el césped pueden quedar atrapados entre el equipo de corte y su protección. Siempre detenga el motor antes de limpiar el equipo de corte.

- Utilice la aceleración máxima cuando corte y disminuya a régimen de ralentí después de cada corte.

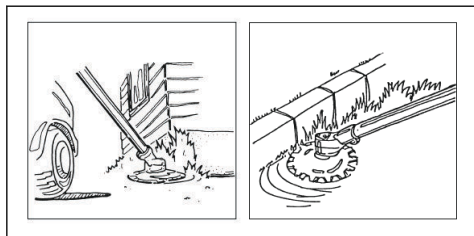


AVISO: El motor puede sufrir daños si funciona durante demasiado tiempo en aceleración máxima sin carga.

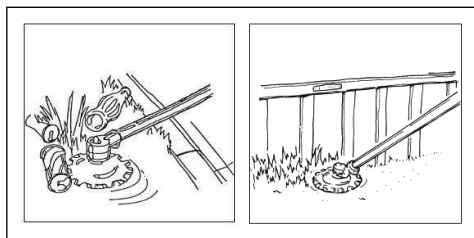
Uso recomendado del equipo de corte

Las cuchillas del equipo de corte se mueven en un ángulo pequeño y pueden realizar cortes en todas las direcciones. Mueva el equipo de corte por el suelo a una altura en que la cazoleta de apoyo toque el suelo. Utilice el equipo de corte para cortar en:

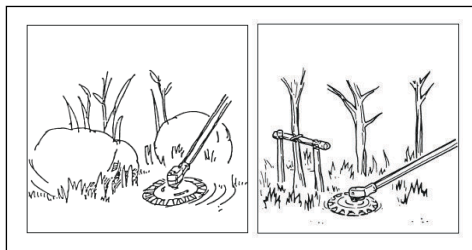
- Zonas de parques y orillas de caminos.



- Orillas de caminos y vallas cercanas.



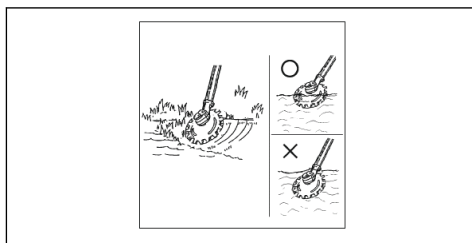
- Alrededor de piedras y árboles.



- Cerca del agua.



AVISO: No sumerja en agua la caja de engranajes.



Montaje

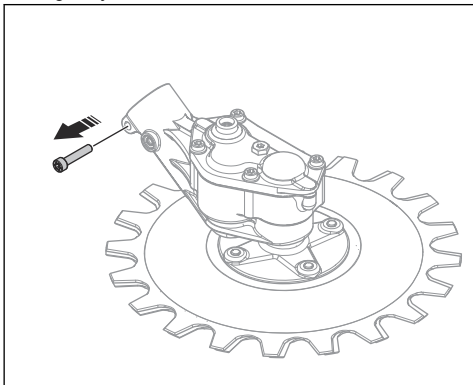
Para instalar la unidad de corte

Tenga en cuenta: El equipo de corte solo se debe instalar en una recortadora de césped. Consulte *Uso previsto en la página 12*.

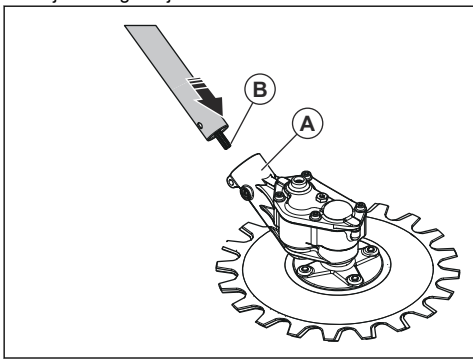


ADVERTENCIA: Utilice guantes protectores cuando sostenga las cuchillas.

1. Retire el tornillo de la abrazadera de la caja de engranajes.



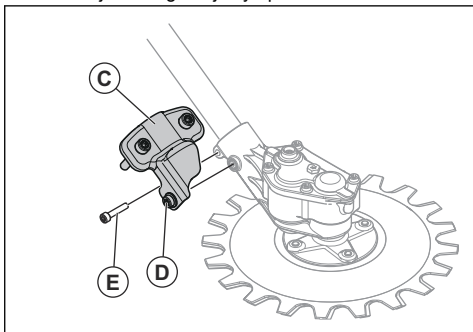
2. Coloque el eje (B) en la caja de engranajes (A). Asegúrese de que el eje propulsor se acople en la caja de engranajes.



AVISO: Asegúrese de que los orificios estén alineados. Si los orificios no están

alineados, la caja de engranajes se puede dañar.

3. Instale la abrazadera (C) y apriete el tornillo de seguridad (D). Instale el tornillo de la abrazadera (E) en la caja de engranajes y apriételo.

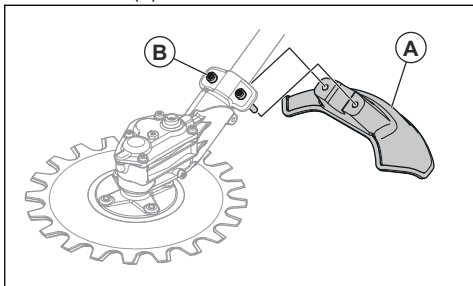


Para instalar la protección del equipo de corte



ADVERTENCIA: No utilice el producto sin una protección del equipo de corte

- Instale la protección del equipo de corte (A). Apriete los tornillos (B) de la misma manera.



Mantenimiento

Introducción

A continuación encontrará algunas instrucciones generales de mantenimiento. Si necesita más información, comuníquese con su taller de servicio.

Programa de mantenimiento

A continuación, se presenta una lista de pasos de mantenimiento que se deben realizar en el equipo de corte.

Tenga en cuenta: El operador solo debe realizar el mantenimiento y el servicio al equipo de corte que se indica en este manual de usuario. Otras tareas de mantenimiento y de servicio se deben realizar en un taller de servicio autorizado.

Mantenimiento	Diario	Una vez por semana	Una vez al mes
Limpie las partes exteriores del producto.	X		
Asegúrese de que las cuchillas no estén dañadas. Reemplace las cuchillas si están dañadas.	X		
Asegúrese de que la protección del equipo de corte no esté dañada. Reemplace la protección del equipo de corte si está dañada.	X		
Asegúrese de que la cazoleta de apoyo no presente daños. Reemplácela si está dañada.	X		
Asegúrese de que las tuercas y los tornillos estén apretados.	X		
Llene la caja de engranajes con grasa, aproximadamente cada 100 horas de trabajo.		X	

Para limpiar y lubricar las hojas

1. Retire materiales no deseados de las hojas antes y después de utilizar el producto.
2. Lubrique las cuchillas antes de períodos prolongados de almacenamiento.

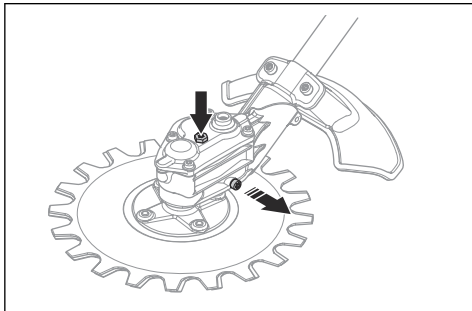
Tenga en cuenta: Comuníquese con su taller de servicio para obtener más información sobre los agentes de limpieza y lubricantes recomendados.

Para lubricar la caja de engranajes



AVISO: No llene la caja de engranajes completamente. Si la caja de engranajes está llena, la grasa puede provocar daños a los sellos y ocasionar fugas.

1. Quite los tapones de engrase.
2. Agregue grasa al orificio superior.



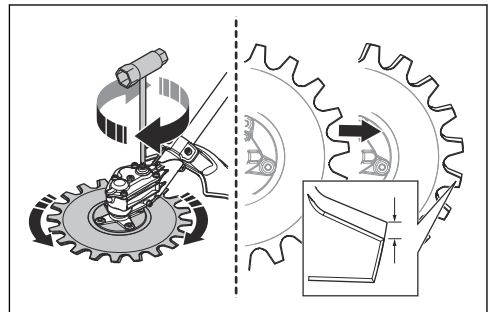
3. Instale los tapones de engrase.

Para afilar las cuchillas

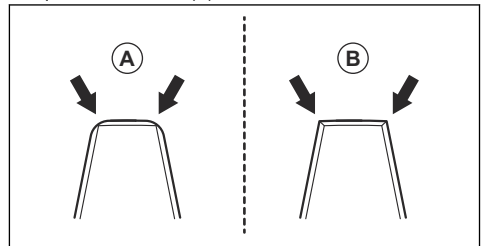


ADVERTENCIA: Utilice guantes protectores cuando sostenga las cuchillas.

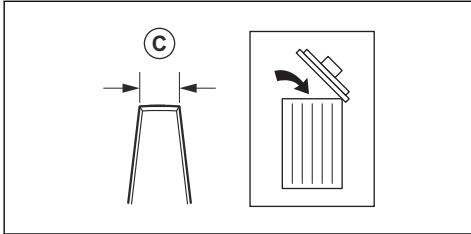
1. Coloque la llave combinada en la cavidad de la caja de engranajes.
2. Gire la llave combinada hasta que quede una diferencia de 3 mm/0,12" entre la cuchilla superior y la cuchilla inferior.



3. Afile con una amoladora los bordes (B) a los que pueda acceder. Asegúrese de que los bordes no queden redondos (A).



- Gire la llave combinada en la dirección opuesta para acceder a los bordes opuestos.
- Afile con una amoladora los bordes a los que pueda acceder.
- Reemplace las cuchillas cuando el ancho del diente sea inferior a 8 mm/0,32" (C).



Para sustituir las hojas



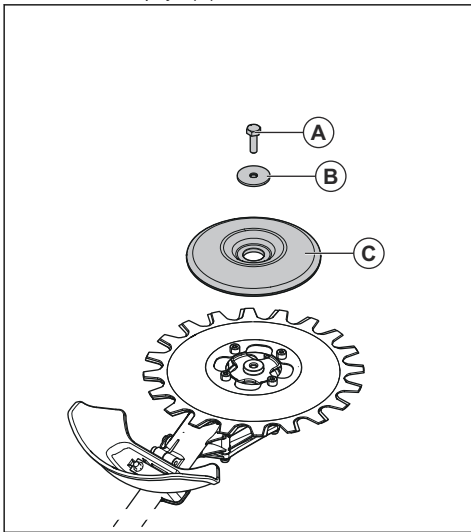
ADVERTENCIA: Utilice guantes protectores cuando sostenga las cuchillas.



ADVERTENCIA: Para evitar desestabilizaciones y vibraciones del producto, limpie el equipo de corte cuando reemplace las cuchillas.

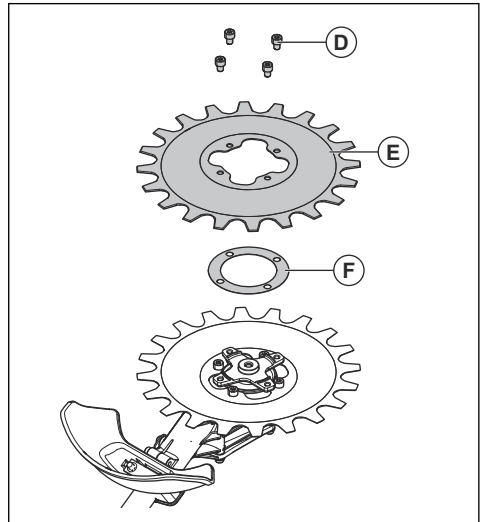
Tenga en cuenta: Las cuchillas son intercambiables.

- Quite el tornillo central (A), la arandela (B) y la cazoleta de apoyo (C).

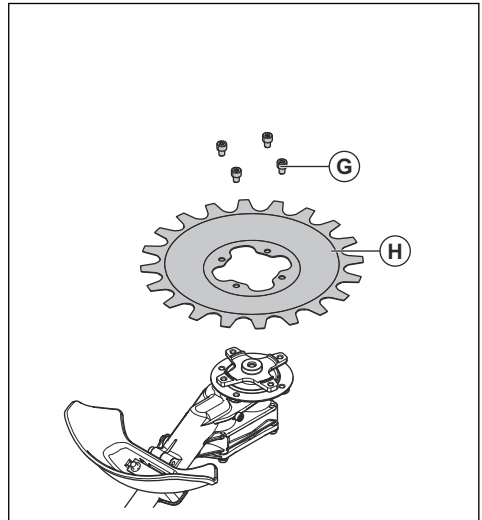


Tenga en cuenta: El tornillo central tiene un enrosque hacia la izquierda.

- Quite los 4 tornillos (D), la cuchilla inferior (E) y la cuña (F).



- Quite los 4 tornillos (G) y la cuchilla superior (H).



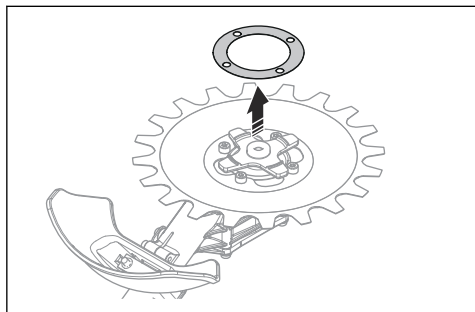
- Instale las cuchillas en la secuencia opuesta. Apriete los tornillos de la misma manera cuando instale las cuchillas.
- Apriete los tornillos (G) a 9-12 Nm.
- Apriete los tornillos (D) a 9-12 Nm.
- Apriete el tornillo central (A) a 15-20 Nm.

Para ajustar la separación entre las cuchillas



ADVERTENCIA: Utilice guantes protectores cuando sostenga las cuchillas.

1. Retire la cuchilla inferior, consulte *Para sustituir las hojas en la página 20*.
2. Retire la cuña.



Tenga en cuenta: Guarde la cuña hasta que se reemplacen las cuchillas.

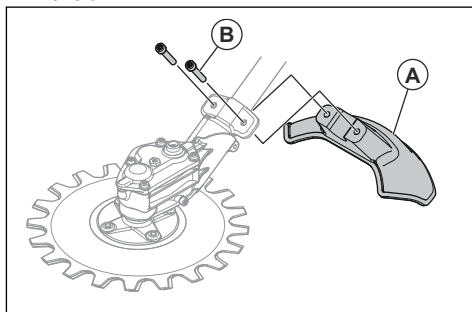
3. Instale la cuchilla inferior. Apriete los tornillos de la misma manera cuando instale las cuchillas.

Para reemplazar la protección del equipo de corte



ADVERTENCIA: Utilice guantes protectores cuando sostenga las cuchillas

- Quite los 2 tornillos (B) y la protección del equipo de corte (A).
- Instale la nueva protección del equipo de corte (A) con 2 tornillos (B). Apriete los tornillos de la misma manera.



Transporte, almacenamiento y eliminación de residuos

Transporte y almacenamiento

- Asegúrese de que la protección para transportes esté correctamente instalada en el equipo de corte cuando el producto no se esté utilizando, se esté transportando o esté almacenado.
- Mantenga el equipo de corte en un área cerrada para evitar que los niños u otras personas sin autorización puedan acceder a él.

- Para evitar daños y accidentes, fije de manera segura el equipo de corte durante su transporte.
- Asegúrese de que equipo de corte esté limpio y de que se realice un mantenimiento completo antes de un almacenamiento prolongado.

Datos técnicos

Datos técnicos

RA-V	
Peso	
Peso, lb/kg	2,0/4,4
Cuchillas	
Diámetro, pulg./mm	230/9
Velocidad de la hoja, cortes/min	4600

Table des matières

Introduction.....	22	Entretien.....	28
Sécurité.....	23	Transport, entreposage et mise au rebut.....	31
Fonctionnement.....	27	Données techniques.....	31
Montage.....	28		

Introduction

Description du produit

Nous avons une politique de développement continu et nous réservons donc le droit de modifier la conception et l'apparence des produits sans préavis.

Remarque : Ce manuel couvre les unités d'alimentation d'essence utilisées.

L'équipement de coupe sert à couper l'herbe et les brindilles.

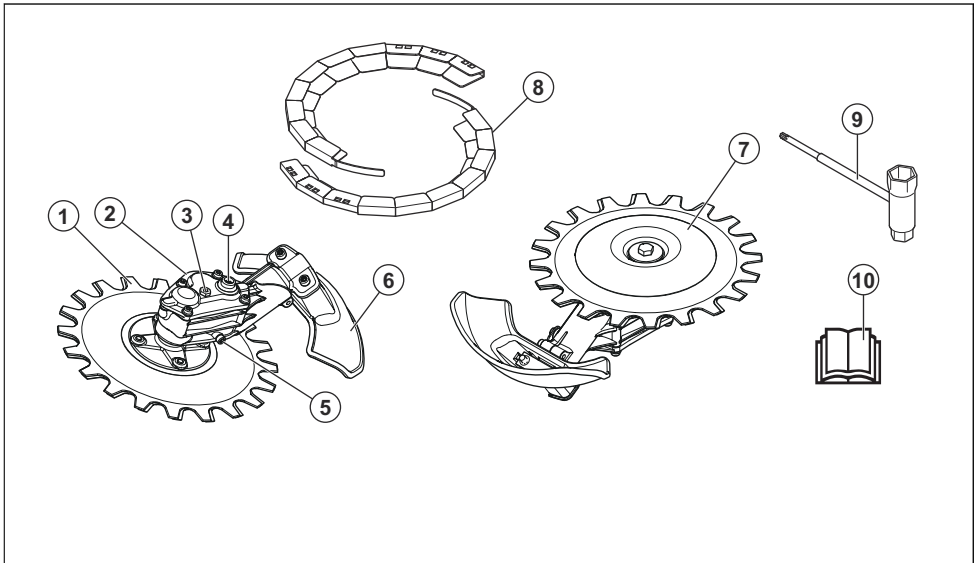
Remarque : Les réglementations nationales peuvent limiter l'utilisation du produit.

Utilisation prévue



AVERTISSEMENT: L'équipement de coupe ne doit être utilisé qu'avec des produits compatibles. Se reporter au manuel d'utilisation du produit.

Aperçu de l'équipement de coupe



1. Lame
2. Carter
3. Bouchon pour le remplissage du lubrifiant
4. Prise pour le déplacement manuel de la lame
5. Bouchon pour la vidange du lubrifiant
6. Dispositif de protection de l'outil de coupe
7. Bol de garde au sol
8. Protection de transport

Symboles figurant sur l'outil

yyyywwxxxx

L'étiquette du numéro de série indique le numéro de série. **yyyy** représente l'année de production et **ww** indique la semaine de production.

Remarque : Les autres symboles et autocollants apposés sur l'outil se rapportent aux exigences en matière de certification pour certains marchés.

Sécurité

Définitions relatives à la sécurité

Les avertissements, recommandations et remarques soulignent des points du manuel d'utilisation qui revêtent une importance particulière.



AVERTISSEMENT: Indique la présence d'un risque de blessure ou de décès de l'utilisateur ou de personnes à proximité si les instructions du manuel ne sont pas suivies.



MISE EN GARDE : Indique la présence d'un risque de dommages au produit ou à l'outil, à d'autres appareils ou à la zone adjacente si les instructions du manuel ne sont pas suivies.

Remarque : Utilisé pour donner des renseignements plus détaillés qui sont nécessaires dans une situation donnée.

Consignes générales de sécurité



AVERTISSEMENT: Lire les instructions de sécurité qui suivent avant d'utiliser l'outil.

- Lire attentivement le manuel de l'opérateur et s'assurer de bien comprendre les instructions avant d'utiliser l'outil.
- Ces instructions complètent les instructions fournies avec le produit. Pour d'autres procédures, se reporter aux instructions d'utilisation du produit.
- La conception de l'outil ne peut en aucun cas être modifiée sans l'autorisation du fabricant. Ne pas utiliser un outil qui semble avoir été modifié par d'autres, et toujours utiliser des accessoires d'origine. Les modifications et les accessoires non autorisés peuvent engendrer des blessures graves ou la mort de l'utilisateur ou d'autres personnes.
- La surexposition aux vibrations peut engendrer des problèmes circulatoires ou des troubles nerveux, en particulier chez les personnes ayant des troubles circulatoires. En cas de symptômes liés à une surexposition aux vibrations, consulter un médecin.

Voici certains de ces symptômes : engourdissement, perte de sensibilité, fourmillement, picotement, douleur, faiblesse musculaire, décoloration ou modification de l'épiderme. Ces symptômes apparaissent normalement aux doigts, aux mains et aux poignets. Ces symptômes peuvent être accentués par le froid.

Consignes de sécurité pour l'utilisation



AVERTISSEMENT: Lire les messages d'avertissement qui suivent avant d'utiliser l'appareil.

- Utiliser le produit seulement pour les applications décrites dans le présent manuel. Se reporter à la section *Utilisation recommandée de l'équipement de coupe à la page 27*.
- N'utilisez pas ce produit si vous n'êtes pas sûr si vous permet de faire fonctionner celui-ci.
- Ne pas utiliser l'outil en cas de fatigue, de maladie ou sous l'emprise de l'alcool, de drogues ou de médicaments. Cela peut diminuer l'acuité visuelle, le jugement ou la coordination.
- Ne pas utiliser l'outil s'il n'est pas possible de recevoir de l'aide en cas d'accident.
- Ne pas utiliser le produit s'il y a des signes de dommages
- Vérifier que la chaîne ne tourne pas lorsque le moteur est au ralenti.
- Assurez-vous que personne ne se trouve plus proche de 15 m / 50 ft lorsque vous devez couper. S'assurer que seules les personnes approuvées se trouvent dans la zone de travail.
- Ne pas laisser les enfants utiliser le produit ou s'en approcher.
- Maintenir la zone de travail propre et bien éclairée pour éviter les accidents. Ne pas utiliser l'outil par mauvais temps, par exemple dans le brouillard, sous la pluie, dans des endroits exposés à l'humidité, humides ou fortement venteux, en cas de froid intense ou en présence d'un risque de foudre, etc.
- Si quelque chose se coince dans les lames pendant le fonctionnement, arrêter le moteur et attendre jusqu'à ce que les lames ne bougent pas. Retirer le chapeau de la bougie. Mettre la clé mixte dans le

carter prise de déplacer les lames, reportez-vous à la . *Pour affûter les lames à la page 29*

- Si les lames sont endommagées au cours de l'utilisation, la lame supérieure et inférieure de la lame peut se coincer dans l'autre. Ne touchez pas les lames, elles peuvent se déplacer brusquement et causer des blessures.
- S'assurer d'être dans une position stable et sécuritaire au cours du travail.
- Le produit peut entraîner des objets pour éjecter à grande vitesse. Assurez-vous que toutes les personnes se trouvant dans la zone de travail utiliser des équipements de protection personnelle. Retirer les matériaux inflammables de la zone de travail.
- Surveiller la zone de travail lorsque vous portez des protège-oreilles. Toujours enlever le dispositif de protection pour les oreilles dès que le moteur s'arrête.
- Si le produit a vibration inhabituelle, arrêtez le moteur et retirez le capuchon de bougie de la bougie d'allumage. Recherchez-en immédiatement la cause. Les vibrations indiquent généralement l'existence de dommages.
- Ne pas s'éloigner de l'outil lorsque le moteur est sous tension.
- Tenir l'outil avec les deux mains. Tenir le produit sur le côté droit du corps. Utiliser le produit en plaçant l'outil de coupe sous la taille.



- L'outil de coupe doit fonctionner dans le sens opposé à l'opérateur. Pour couper dans le sens l'opérateur peut provoquer des blessures graves.
- Lorsque le moteur est en marche, gardez les mains et les pieds à l'écart de la fraise.

Équipement de protection personnelle

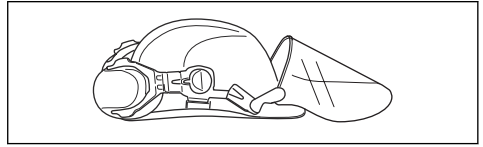


AVERTISSEMENT: Lire les messages d'avertissement qui suivent avant d'utiliser l'appareil.

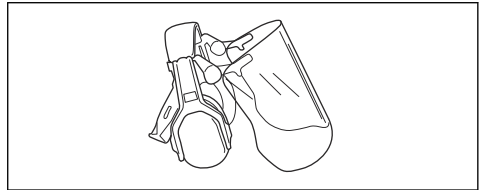
- Toujours utiliser un équipement de protection personnelle homologué lors de l'utilisation de l'appareil. Cet équipement de protection personnelle n'élimine pas complètement les risques de blessures, mais il peut en réduire la gravité en cas

d'accident. Laisser le concessionnaire vous aider à sélectionner l'équipement adéquat.

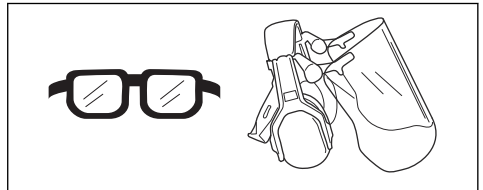
- Porter un casque de protection en cas de risque de chute d'objets.



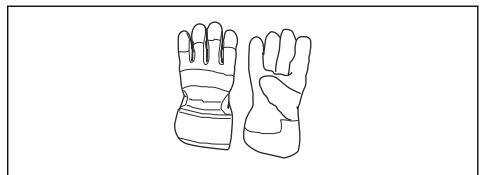
- Porter un dispositif de protection pour les oreilles homologué qui procure une réduction adéquate du bruit. L'exposition prolongée au bruit peut causer des lésions auditives permanentes. Husqvarna AB recommande aux utilisateurs d'utiliser des protecteurs d'oreille lors de l'utilisation des produits pendant des périodes prolongées dans une journée. Les utilisateurs permanents et réguliers doivent faire vérifier régulièrement leur ouïe. Noter que les protecteurs d'oreille limitent la capacité d'entendre les sons et les signaux d'avertissement.



- Utiliser un dispositif de protection homologué pour les yeux. Porter également des lunettes de protection homologuées en cas d'utilisation d'une visière. Les lunettes de protection homologuées doivent être conformes à la norme ANSI Z87.1 aux États-Unis ou à la norme EN 166 dans les pays de l'Union européenne.



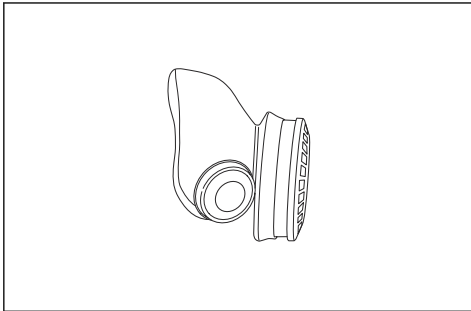
- Utiliser des gants au besoin, par exemple lors de l'examen ou du nettoyage du produit.



- Utiliser des bottes de protection ou des chaussures avec semelles antidérapantes.



- Utiliser des vêtements faits de tissus résistants. Toujours utiliser des pantalons longs et lourds et des manches longues. Ne pas porter des vêtements amples qui peuvent se prendre dans les broussailles et les branches. Ne pas porter des bijoux, des pantalons courts, des chaussures ouvertes et ne pas marcher pieds nus. Garder les cheveux au-dessus de vos épaules.
- Utiliser une protection respiratoire lorsqu'il y a un risque de poussière.



- Garder une trousse de premiers soins à portée de main.



Dispositifs de sécurité sur l'outil



AVERTISSEMENT: Lisez les messages d'avertissement qui suivent avant d'utiliser l'outil.

Cette section décrit l'équipement de sécurité de l'outil, son usage et la façon d'en effectuer les inspections et l'entretien afin de s'assurer qu'il fonctionne correctement. Voir les instructions à la section *Aperçu de l'équipement de coupe à la page 22* pour savoir où se trouvent ces pièces sur votre outil.

La durée de vie de l'outil peut être réduite et le risque d'accident peut augmenter si l'entretien de l'outil n'est pas effectué correctement et si l'entretien ou les

réparations ne sont pas effectués de façon professionnelle. Pour obtenir de plus amples informations, veuillez communiquer avec votre concessionnaire le plus proche.



AVERTISSEMENT: N'utilisez jamais un outil dont les composants de sécurité sont défectueux. L'équipement de sécurité de l'outil doit être inspecté et entretenu selon les directives de la présente section. Si une inspection de l'outil détecte une panne, communiquez avec un atelier spécialisé pour réparation.



AVERTISSEMENT: Tous les travaux de réparation nécessitent une formation spéciale. Ceci concerne particulièrement l'équipement de sécurité du produit. Si les contrôles suivants ne donnent pas un résultat positif, on doit communiquer avec un atelier spécialisé. L'achat de l'un de nos produits offre à l'acheteur la garantie d'un service et de réparations qualifiés. Si le détaillant qui vous a vendu le produit n'est pas un centre de service agréé, demandez-lui l'adresse de l'atelier spécialisé le plus proche.

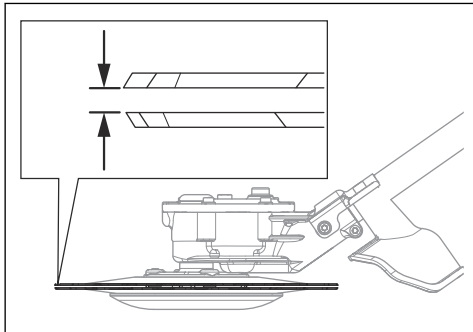
Faire un contrôle de l'équipement de coupe et la protection de l'équipement de coupe



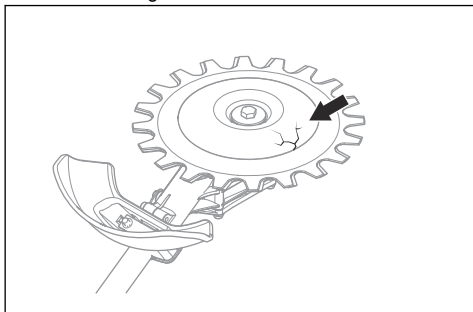
AVERTISSEMENT: Ne pas utiliser un outil de coupe dépourvu du dispositif de protection homologué. L'utilisation d'un dispositif de protection défectueux ou inapproprié peut causer des blessures graves.

1. Arrêter le moteur et s'assurer que l'outil de coupe ne tourne pas.
2. Retirer le chapeau de la bougie.
3. Enfiler des gants de protection.
4. S'assurer que les câbles ne sont pas endommagés. Remplacer les lames si elles sont tordues ou endommagées. Se reporter à la section *Pour remplacer les lames à la page 30*.

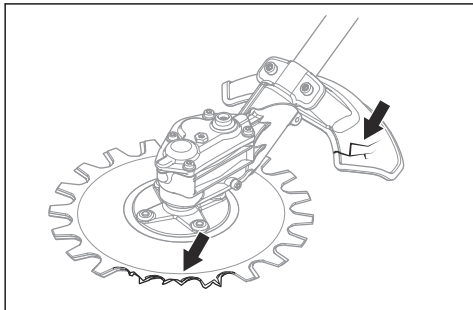
5. Vérifier les lames. S'assurer qu'il n'y a pas d'huile sur les poignées. S'il y a un jeu entre les lames, les lames doivent être réglés. Se reporter à la section *Pour ajuster le jeu entre les lames à la page 31.*



6. S'assurer que le tuyau à carburant n'est pas endommagé. Remplacer la bride de support si elle est endommagée.



7. S'assurer que les vis de l'unité de coupe sont fixées.
8. Vérifier que le couteau monté sur le dispositif de protection de l'outil de coupe n'est pas endommagé. Remplacer les pièces endommagées.



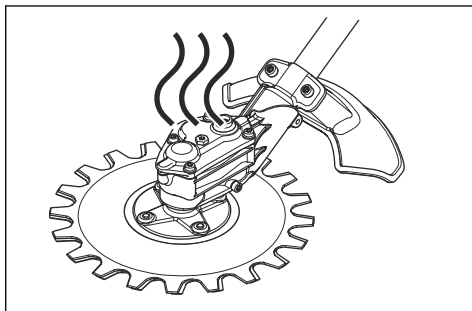
Consignes de sécurité pour l'entretien



AVERTISSEMENT: L'outil de coupe continue de tourner, même après que l'accélérateur soit relâché. Retirer le chapeau de la bougie. Assurez-vous que l'équipement de coupe est arrêté complètement avant de procéder à l'entretien.



AVERTISSEMENT: Le carter d'engrenage devient très chaude pendant le fonctionnement du produit. Des surfaces chaudes peut vous brûler, ne pas toucher le carter d'engrenage.



- Toujours porter des gants très résistants lors de la réparation de l'outil de coupe. L'équipement de coupe est extrêmement tranchant et peut facilement causer une coupure.
- N'utiliser que des pièces de rechange d'origine pour les réparations.

Fonctionnement

La méthode de travail



AVERTISSEMENT: Des branches ou de l'herbe peuvent se coincer entre la protection de l'équipement de coupe et l'équipement de coupe. Toujours arrêter le moteur avant de nettoyer l'outil.

- Faire tourner le moteur à plein régime lors de la coupe, puis réduire le régime moteur au ralenti après chaque coupe.

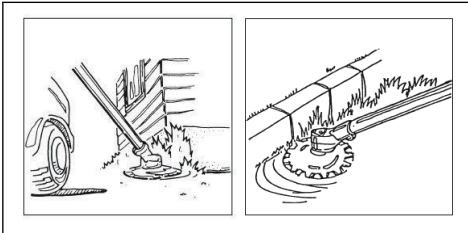


MISE EN GARDE : Le moteur peut être endommagé s'il tourne pendant trop longtemps à plein régime et sans charge.

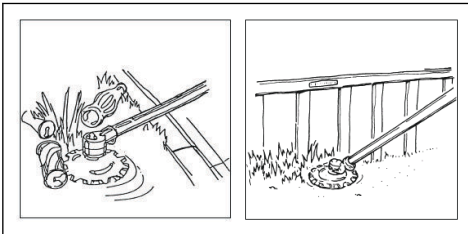
Utilisation recommandée de l'équipement de coupe

Les lames de l'équipement de coupe se déplacent à un faible angle et peuvent couper dans toutes les directions. Déplacer l'équipement de coupe le long du sol à une hauteur où le bol de garde au sol touche le sol. Utiliser l'équipement de coupe pour couper ce qui suit :

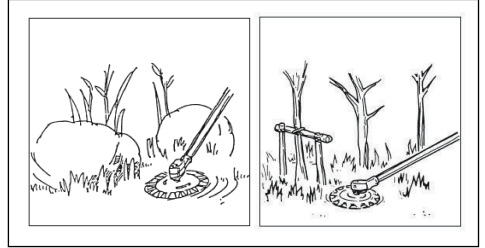
- Bordures des zones de stationnement et des routes



- Bordures de route et à proximité des clôtures.



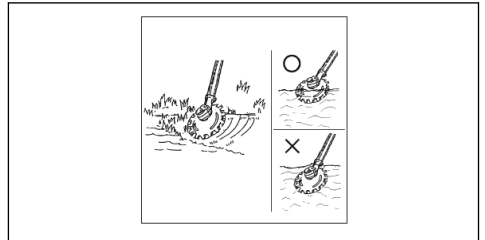
- Autour des pierres et des arbres.



- Près de l'eau.



MISE EN GARDE : Ne pas mettre le carter dans l'eau.



Montage

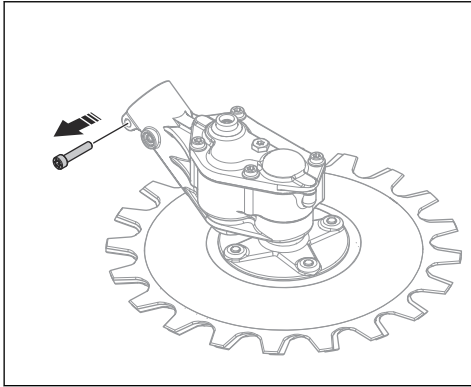
Pour installer l'unité de coupe

Remarque : L'outil de coupe doit être installé sur un coupe-herbe uniquement. Se reporter à la section *Utilisation prévue à la page 22.*

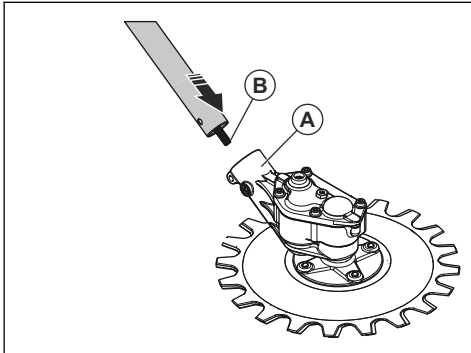


AVERTISSEMENT: Porter des gants de protection pour tenir les lames.

1. Retirer la vis du collier du carter d'engrenage.

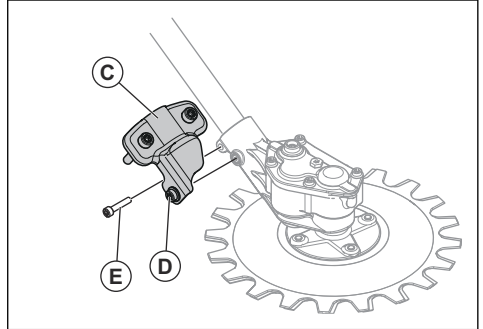


2. Placer l'arbre (B) dans le carter d'engrenage (A). S'assurer que l'arbre d'entraînement s'engage dans le carter d'engrenage.



MISE EN GARDE : S'assurer que les trous sont alignés. Si les trous ne sont pas alignés, le carter d'engrenage peut être endommagé.

3. Installer le collier (C) et serrer la vis de verrouillage (D). Installer la vis du collier (E) pour carter d'engrenage et la serrer.

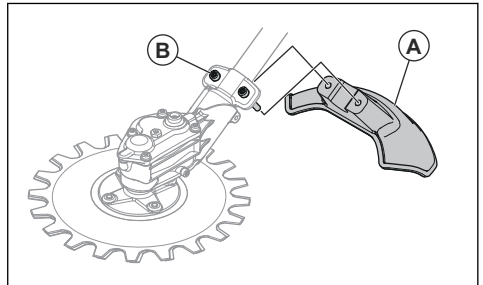


Pour installer la protection de l'outil de coupe



AVERTISSEMENT: Ne pas utiliser l'outil sans protection

- Installer la protection de l'outil de coupe (A). Serrer les vis (B) de manière égale.



Entretien

Introduction

Vous trouverez ci-dessous quelques instructions d'entretien général. Pour obtenir des renseignements supplémentaires, communiquez avec votre atelier d'entretien.

Calendrier d'entretien

Ci-dessous se trouve une liste d'étapes d'entretien qui doivent être effectuées sur l'équipement de coupe.

Remarque : L'opérateur doit effectuer uniquement l'entretien et les réparations de l'équipement de coupe qui est présenté dans ce manuel de l'opérateur. Tous

les autres travaux d'entretien et de réparation doivent être effectués par un atelier d'entretien autorisé.

Entretien	Quotidien	Hebdo-madaire	Mensuel
Nettoyer les pièces externes de l'outil.	X		
S'assurer que les lames ne sont pas endommagées. Remplacer les lames si elles sont endommagées.	X		
Vérifier que le dispositif de protection de l'outil de coupe n'est pas endommagé. Remplacer le dispositif de protection s'il est endommagé.	X		
S'assurer que le bol de garde au sol n'est pas endommagé. Remplacer le bol de garde au sol s'il est endommagé.	X		
Vérifier que les vis et les écrous sont bien serrés.	X		
Remplir le carter de graisse environ toutes les 100 heures de fonctionnement.		X	

Pour nettoyer et lubrifier les lames

1. Nettoyer les lames de tout matériau indésirable avant et après l'utilisation du produit.
2. Lubrifier les lames avant une longue période de remisage.

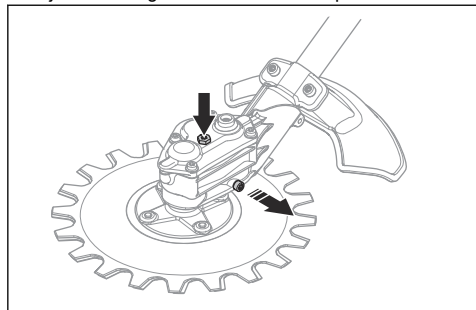
Remarque : Pour obtenir de plus amples renseignements sur les lubrifiants et les produits de nettoyage recommandés, communiquer avec votre centre de services.

Pour lubrifier le carter d'engrenage



MISE EN GARDE : Ne pas remplir complètement le carter d'engrenage. Si le carter est plein, la graisse peut endommager les joints d'étanchéité et provoquer des fuites.

1. Retirer les bouchons de graissage.
2. Ajouter de la graisse dans le trou supérieur.



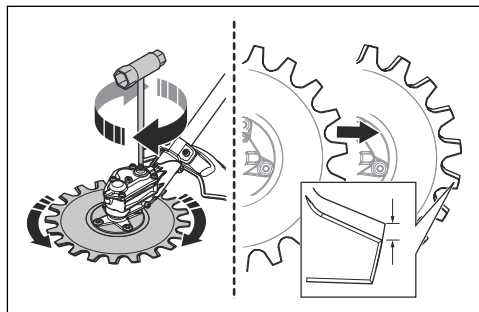
3. Installer les bouchons de graissage.

Pour affûter les lames

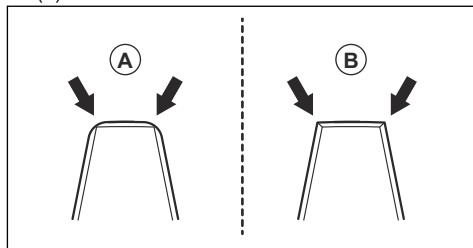


AVERTISSEMENT: Porter des gants de protection pour tenir les lames.

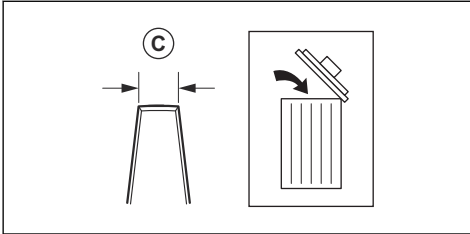
1. Placer la clé mixte dans la douille du carter.
2. Tourner la clé mixte jusqu'à ce qu'il y ait un écart de 3 mm (0,12 po) entre la lame supérieure et la lame inférieure.



3. Affûter les tranchants (B) accessibles à l'aide d'une meuleuse. Veiller à ne pas arrondir les tranchants (A).



4. Tourner la clé mixte dans le sens opposé pour accéder aux tranchants opposés.
5. Affûter les tranchants accessibles à l'aide d'une meuleuse.
6. Remplacer les lames lorsque la largeur de la dent est inférieure à 8 mm (0,32 po) (C).



Pour remplacer les lames



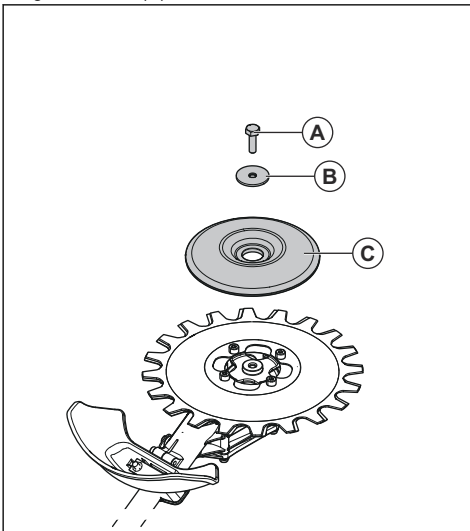
AVERTISSEMENT: Porter des gants de protection pour tenir les lames.



AVERTISSEMENT: Pour éviter les déséquilibres et les vibrations du produit, nettoyer l'équipement de coupe lors du remplacement des lames.

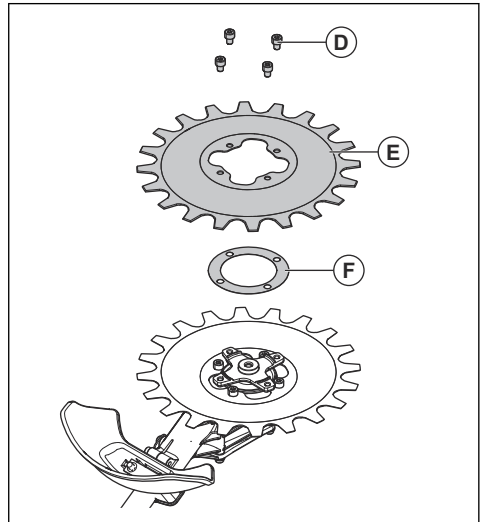
Remarque : Les lames sont interchangeables.

1. Retirer la vis centrale (A), la rondelle (B) et le bol de garde au sol (C).

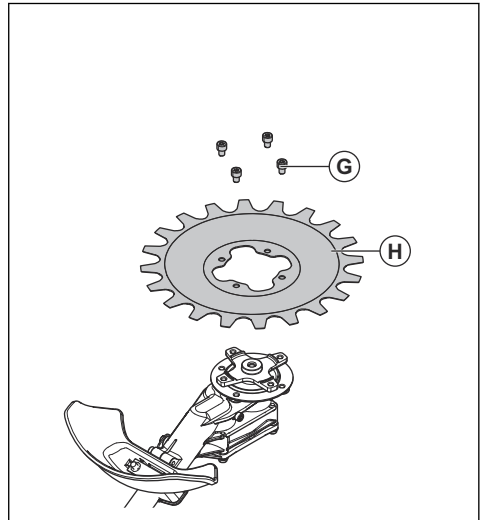


Remarque : La vis centrale est dotée d'un filetage à gauche.

2. Retirer les 4 vis (D), la lame inférieure (E) et la cale (F).



3. Retirer les 4 vis (G) et la lame supérieure (H).



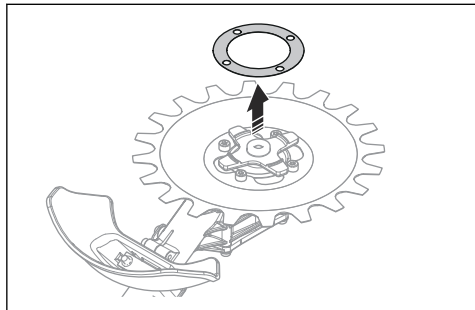
4. Installer les lames dans l'ordre inverse. Serrer les vis de manière égale lors de l'installation des lames.
5. Serrer les vis (G) au couple de 9 à 12 Nm.
6. Serrer les vis (D) au couple de 9 à 12 Nm.
7. Serrez la vis centrale (A) au couple de 15 à 20 Nm.

Pour ajuster le jeu entre les lames



AVERTISSEMENT: Porter des gants de protection pour tenir les lames.

1. Retirer la lame inférieure, se reporter à *Pour remplacer les lames à la page 30*
2. Retirer la cale.



Remarque : Conserver la cale jusqu'à ce qu'il soit temps de réinstaller les lames.

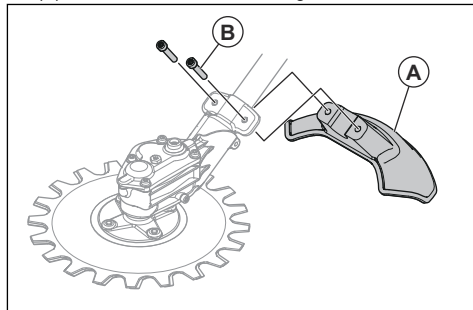
3. Installer la lame inférieure. Serrer les vis de manière égale lors de l'installation des lames.

Pour remplacer le protège-lame



AVERTISSEMENT: Porter des gants de protection pour tenir les lames.

- Retirer les 2 vis (B) et le protège-lame (A).
- Installer le protège-lame neuf (A) à l'aide des 2 vis (B). Serrer les vis de manière égale.



Transport, entreposage et mise au rebut

Transport et entreposage

- Assurez-vous que la protection de transport est correctement fixée à l'outil de coupe lorsque le produit n'est pas utilisé, est transportée ou s'il est dans le local de rangement.
- Garder l'équipement de coupe dans un endroit verrouillé hors de portée des enfants et des personnes non autorisées.

- Fixer solidement l'équipement de coupe pendant le transport pour éviter tout dommage ou accident.
- Avant d'entreposer l'équipement de coupe à long terme, s'assurer qu'il est bien nettoyé et en effectuer l'entretien complet.

Données techniques

Données techniques

RA-V	
Poids	
Poids, lb/kg	4,4/2,0
Lames	
Diamètre, po/mm	9/230
Vitesse de lame, coupes/min	4 600



www.husqvarna.com

Original instructions
Instrucciones originales
Instructions d'origine

1141216-49



2019-04-25