



 **Husqvarna**<sup>®</sup>



ST 324, ST 327, ST 330

EN Operator's manual  
ES-MX Manual del usuario  
FR-CA Manuel d'utilisation

2-23  
24-47  
48-71

---

## Contents

---

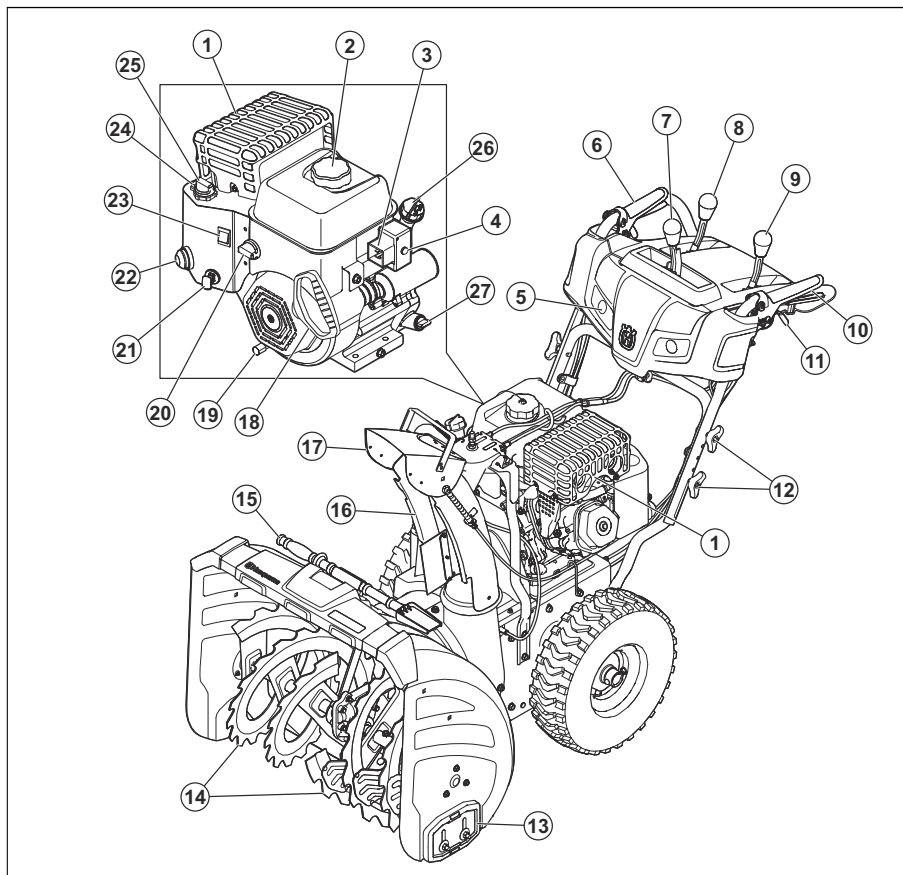
Introduction.....	2	Maintenance.....	13
Safety.....	4	Troubleshooting.....	20
Assembly.....	7	Transportation, storage and disposal.....	22
Operation.....	9	Technical data.....	23

---

## Introduction

---

### Product overview



- |                                  |                                   |
|----------------------------------|-----------------------------------|
| 1. Muffler                       | 8. Drive speed control lever      |
| 2. Gasoline filler cap           | 9. Deflector remote control lever |
| 3. Connection, electric start    | 10. Drive engagement              |
| 4. Electric start button         | 11. Steering triggers             |
| 5. Light                         | 12. Handle knob                   |
| 6. Auger engagement              | 13. Skid plate                    |
| 7. Discharge chute control lever | 14. Augers                        |

- 15. Clean-out tool
- 16. Discharge chute
- 17. Chute deflector
- 18. Starter rope handle
- 19. Oil drain
- 20. Fuel switch
- 21. ON/OFF key
- 22. Primer
- 23. ON/OFF switch
- 24. Throttle control
- 25. Choke
- 26. Oil fill all models. Dipstick (ST 324)
- 27. Dipstick (ST 327, ST 330)

**Product description**

The product is a wheeled snow thrower that is used to remove snow from the ground.

**Intended use**

This product can be used to remove snow from fields, roads, walkways and driveways. Do not use it on slopes that are greater than 20°. Do not use the product in areas where there is much debris, dirt and protruding stones.

**Symbols on the product**

**Note:** If the decals on the product are damaged, contact the distributor to replace them.



Warning.



Read the operator's manual.



Engine on



Engine off.



Fast.



Slow.



Choke.



Primer.



Fuel.



Oil.



Forward.



Reverse.



Ear protection recommended.



Do not remove shields while engine is running.



Remove spark plug cable before maintenance.



Traction drive off/on.



Snow discharge off/on.



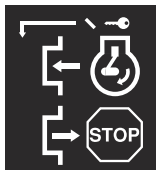
Beware of thrown objects-keep bystanders away.



Warning, keep hands away.



Warning, keep feet away.



Ignition key. Insert to start and run, pull out to stop.

- the product is incorrectly repaired.
- the product is repaired with parts that are not from the manufacturer or not approved by the manufacturer.
- the product has an accessory that is not from the manufacturer or not approved by the manufacturer.
- the product is not repaired at an approved service center or by an approved authority.

## Product liability

As referred to in the product liability laws, we are not liable for damages that our product causes if:

---

## Safety

---

### Safety definitions

The definitions below give the level of severity for each signal word.



**WARNING:** Injury to persons.



**CAUTION:** Damage to the product.

**Note:** This information makes the product easier to use.

### General safety instructions

- Use the product correctly. Injury or death is a possible result of incorrect use. Only use the product for the tasks found in this manual. Do not use the product for other tasks.
  - Obey the instructions in this manual. Obey the safety symbols and the safety instructions. If the operator does not obey the instructions and the symbols, injury, damage or death is a possible result.
  - Do not discard this manual. Use the instructions to assemble, to operate and to keep your product in good condition. Use the instructions for correct installation of attachments and accessories. Only use approved attachments and accessories.
  - Do not use a damaged product. Obey the maintenance schedule. Only do the maintenance work that you find an instruction about in this manual. An approved service center must do all other maintenance work.
  - This manual cannot include all situations that can occur when you use the product. Be careful and use your common sense. Do not operate the product or do maintenance to the product if you are not sure about the situation. Speak to a product expert, your dealer, service agent or approved service center for information.
- Disconnect the spark plug cable before you assemble the product, put the product into storage or do maintenance.
  - Do not use the product if it is changed from its initial specification. Do not change a part of the product without approval from the manufacturer. Only use parts that are approved by the manufacturer. Injury or death is a possible result of incorrect maintenance.
  - Do not breathe in the fumes from the engine. Long term inhalation of the engine's exhaust fumes is a health risk.
  - Do not start the product indoors or near flammable material. The exhaust fumes are hot and can contain a spark which can start a fire. Not sufficient airflow can cause injury or death because of asphyxiation or carbon monoxide.
  - When you use this product the engine makes an electromagnetic field. The electromagnetic field can cause damage to medical implants. Speak to your physician and medical implant manufacturer before you operate the product.
  - Do not let a child operate the product. Do not let a person, without knowledge of the instructions operate the product.
  - Make sure that you always monitor a person, with decreased physical capacity or mental capacity, that uses the product. A responsible adult must be there at all times.
  - Lock the product in an area that children and unapproved persons cannot access.
  - The product can eject objects and cause injuries. Obey the safety instructions to decrease the risk of injury or death.
  - Do not go away from the product when the engine is on.
  - The operator of the product is responsible if an accident occurs.
  - Before and while you walk rearward, look behind and down for small children, animals or other risks that can cause you to fall.
  - Make sure that parts are not damaged before you use the product.
  - Make sure that you are at a minimum 15 m (50 ft) away from other persons or animals before

you use the product. Make sure that a person in adjacent area knows that you will use the product.

- Refer to national or local laws. They can prevent or decrease the operation of the product in some conditions.

## Safety instructions for operation

- Do not put hands or feet near or under rotating parts. Keep clear of the discharge opening at all times.
- Exercise extreme caution when operating on or crossing gravel drives, walks, or roads. Stay alert for hidden hazards or traffic.
- After striking a foreign object, stop the engine (motor), remove the wire from the spark plug, disconnect the cord on electric motors, thoroughly inspect the product for any damage, and repair the damage before restarting and operating the product.
- If the product starts to vibrate abnormally, stop the engine (motor) and check immediately for the cause. Vibration is generally a warning of trouble.
- Stop the engine (motor) whenever you leave the operating position, before unclogging the auger housing or chute deflector, and when making any repairs, adjustments or inspections.
- When cleaning, repairing or inspecting the product, stop the engine and make certain the augers and all moving parts have stopped. Disconnect the spark plug wire and keep the wire away from the plug to prevent someone from accidentally starting the engine.
- Do not run the engine indoors, except when starting the engine and for transporting the product in or out of the building. Open the outside doors; exhaust fumes are dangerous.
- Exercise extreme caution when operating on slopes.
- Never operate the product without proper guards, and other safety protective devices in place and working.
- Never direct the chute deflector toward people or areas where property damage can occur. Keep children and others away.
- Do not overload the product capacity by attempting to clear snow at too fast a rate.
- Never operate the product at high transport speeds on slippery surfaces. Look behind and use care when operating in reverse.
- Disengage power to the augers when the product is transported or not in use.
- Use only attachments and accessories approved by the manufacturer of the product (such as wheel weights, counterweights, or cabs).
- Never operate the product without good visibility or light. Always be sure of your footing, and keep a firm hold on the handles. Walk; never run.
- Never touch a hot engine or muffler.

## Work area safety

- Thoroughly inspect the area where the equipment is to be used and remove all doormats, sleds, boards, wires, and other foreign objects.
- Disengage all clutches and shift into neutral before starting the engine (motor).
- Do not operate the product without wearing adequate winter garments. Avoid loose fitting clothing that can get caught in moving parts. Wear footwear that will improve footing on slippery surfaces.
- Handle fuel with care; it is highly flammable.
  - Use an approved fuel container.
  - Never add fuel to a running engine or hot engine.
  - Fill fuel tank outdoors with extreme care. Never fill fuel tank indoors.
  - Never fill containers inside a vehicle or on a truck or trailer bed with a plastic liner. Always place containers on the ground, away from your vehicle, before filling.
  - When practical, remove gas-powered equipment from the truck or trailer and refuel it on the ground. If this is not possible, then refuel such equipment on a trailer with a portable container, rather than from a gasoline dispenser nozzle.
  - Keep the nozzle in contact with the rim of the fuel tank or container opening at all times, until refueling is complete. Do not use a nozzle lock-open device.
  - Replace gasoline cap securely and wipe up spilled fuel.
  - If fuel is spilled on clothing, change clothing immediately.
- Use extension cords and receptacles as specified by the manufacturer for all units with electric drive motors or electric starting motors.
- Adjust the auger housing height to clear gravel or crushed rock surface.
- Never attempt to make any adjustments while the engine (motor) is running (except when specifically recommended by the manufacturer).
- Always wear safety glasses or eye shields during operation or while performing an adjustment or repair to protect eyes from foreign objects that may be thrown from the machine.

## Personal protective equipment

Always use the correct personal protective equipment when you operate the product. This includes, at minimum, sturdy footwear, eye protection and hearing protection. Personal protective equipment does not erase the risk of injury but may decrease the grade of injury if an accident occurs.

- Always wear safety glasses or eye protection while you operate the product or do maintenance or repairs.
- Always wear appropriate winter garments when you operate the product.
- Always use heavy-duty slip-resistant boots with good ankle support while you operate the product.
- Do not wear loose fitting clothing that can get caught in moving parts.
- Use approved protective gloves, if necessary. For example, when attaching, examining or cleaning the blade.
- Always use approved ear protection while you operate the product. Noise for a long period can cause noise-induced hearing loss.

### Safety devices on the product

- Make sure that you regularly do the maintenance to the product.
  - The life of the product increases.
  - The risk of accidents decreases.

Let an approved dealer or an approved service center regularly examine the product to do adjustments or repairs.

- Do not use a product with damaged protective equipment. If the product is damaged, speak to an approved service center.

### Muffler

The muffler keeps the noise levels to a minimum and sends the exhaust fumes away from the operator.

Do not use the product if the muffler is missing or defective. A defective muffler increases the noise level and the risk of fire.

Examine the muffler regularly to make sure that it is attached correctly and not damaged.



**CAUTION:** The muffler becomes very hot during and after use and when the engine operates at idle speed. Be careful

### Proposition 65



## WARNING

The engine exhaust from this product contains chemicals known to the State of California to cause cancer, birth defects or other reproductive harm.

near flammable materials and/or fumes to prevent fire.

### Fuel safety



**WARNING:** Read the warning instructions that follow before you use the product.

- Do not start the product if there is fuel or engine oil on the product. Remove the unwanted fuel/oil and let the product dry.
- If you spill fuel on your clothing, change clothing immediately.
- Do not get fuel on your body, it can cause injury. If you get fuel on your body, use soap and water to remove the fuel.
- Do not start the product if the engine has a leak. Examine the engine for leaks regularly.
- Be careful with fuel. Fuel is flammable and the fumes are explosive and can cause injuries or death.
- Do not breathe in the fuel fumes, it can cause injury. Make sure that there is a sufficient airflow.
- Do not smoke near the fuel or the engine.
- Do not put warm objects near the fuel or the engine.
- Do not add the fuel when the engine is on.
- Make sure that the engine is cool before you refuel.
- Before you refuel, open the fuel tank cap slowly and release the pressure carefully.
- Do not add fuel to the engine in an indoor area. Not sufficient airflow can cause injury or death because of asphyxiation or carbon monoxide.
- Tighten the fuel tank cap fully. If the fuel tank cap is not tightened, there is a risk of fire.
- Move the product a minimum of 3 m (10 ft) from the position where you filled the tank before a start.
- Do not put too much fuel in the fuel tank.

## Safety instructions for maintenance



**WARNING:** Read the warning instructions that follow before you use the product.

- The exhaust fumes from the engine contain carbon monoxide, an odorless, poisonous and very dangerous gas. Do not start the engine indoors or in closed spaces.
- Before you do the maintenance on the product, stop the engine and remove the ignition cable from the spark plug.
- Use protective gloves when you do maintenance on the blades. The blades are very sharp and cuts can easily occur.
- Accessories and changes to the product that are not approved by the manufacturer, can cause serious injury or death. Do not change the product. Always use accessories that are approved by the manufacturer.
- If the maintenance is not done correctly and regularly, the risk of injury and damage to the product increases.
- Only do the maintenance as given in this operator's manual. All other servicing must be done by an approved service agent.
- Let an approved service agent do servicing on the product regularly.
- Replace damaged, worn or broken parts.

## Assembly

### To remove the product from the carton

1. Remove loose parts included with the product. Cut the four corners of the carton and put the end panels down flat.
2. Remove the two screws that attach the auger housing to the pallet. Remove the steel brackets from the skid plates if they have it.
3. Remove all package materials.
4. Remove the product from the carton and make sure no loose parts are left in the carton.

### Loose parts



Knob (3)



Discharge chute (1)



ON/OFF key (s)



Carriage bolts 5/16-18 x 2 1/4" (2)



Handle knobs (2)



Locknut 3/8 (1)



Cable guide (1)



Shear pins 1/4-20 x 1-3/4 (6)



Locknuts 1/4-20 (6)



Locknut 5/16-18 (1)



Locknut 1/4-20 (1)



Nylon washer (1)



Carriage bolt 5/16-18 x 5/8 (1)



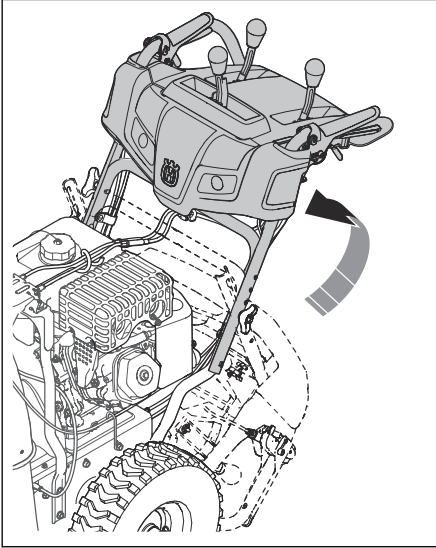
Spring (1)



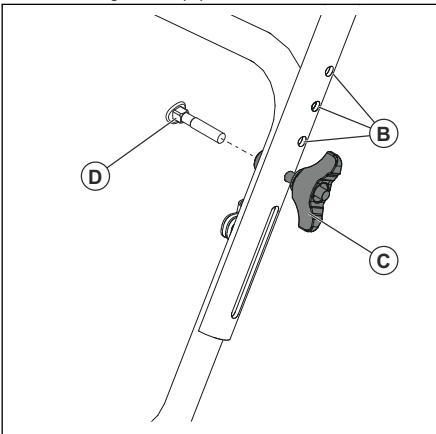
Shoulder bolt 1/4-20 (1)

## To install the handle

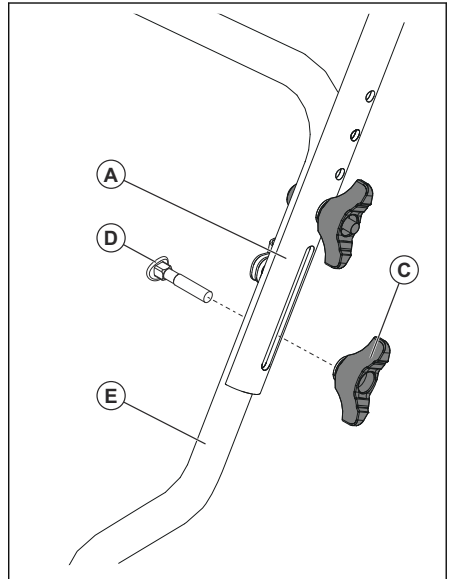
1. Raise the upper handle to the operating position.



2. Adjust the handle position to one of the mounting holes (B) and tighten the handle knobs (C) with the carriage bolts (D).



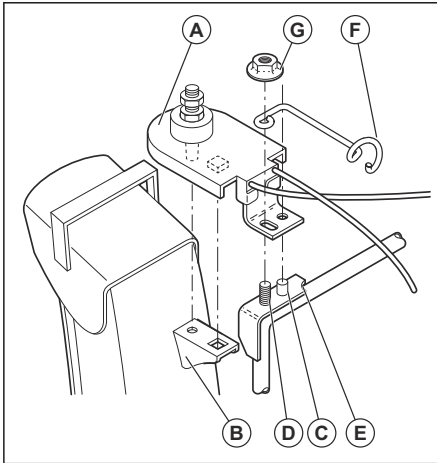
3. Install more carriage bolts (D) and handle knobs (C) to secure the upper handle (A) to the lower handle (E).



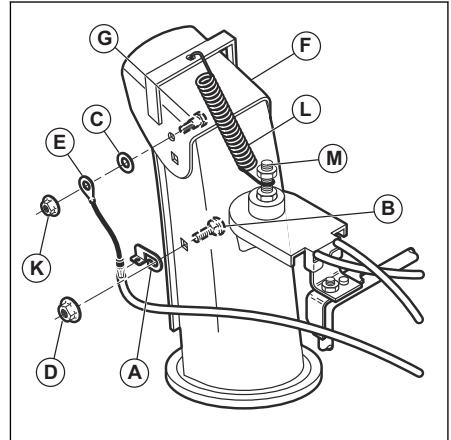
## To install the chute deflector and chute rotator head

1. Put the chute deflector assembly on the top of the chute base with the discharge opening in the direction of the front of the product.
2. Put the chute rotator head (A) on the chute bracket (B). Rotate the chute assembly to align the pins under the chute rotator head with the holes in the chute bracket if it is necessary.
3. Put the chute rotator head on the pin (C) and the threaded stud (D) on the mounting bracket (E).
4. Attach a locknut (G) on the threaded stud and tighten.

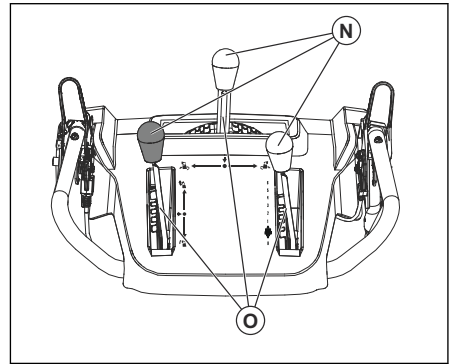




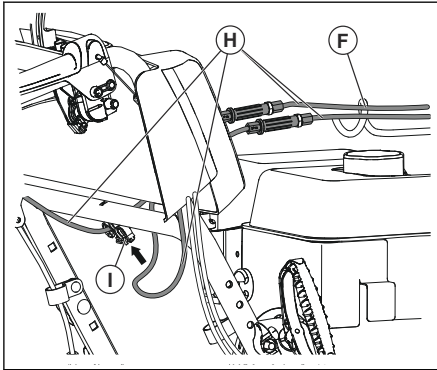
2. Install the remote cable eyelet (E) to the chute deflector (F) with a shoulder bolt (G), a nylon washer (C), and tighten with a 1/4-20 lock nut (D). The cable eyelet will be loose on the shoulder bolt.
3. Attach the spring (L) between the hex nut (M) on the chute rotator head and the hole on the chute deflector.



4. Attach the lever control knobs (N) by pressing them down on the control levers (O).



5. Put the cables through the cable guide (F) and the double clip (I) to attach the rotator cable (H) to the lower handle.



## To install the chute deflector remote control

1. Attach the remote cable bracket (A) to the discharge chute with a carriage bolt (B) and a 5/16-18 locknut (D). Tighten the bolt.

## Operation

### Before you start the product

- Keep persons and animals away from the work area.
- Do daily maintenance. See *Maintenance schedule on page 14*.
- Make sure the ignition lead fits correctly on the spark plug.
- Add oil or gasoline, if necessary. See *Technical data on page 23*.

### To fill the engine with oil



**CAUTION:** Do not rotate the dipstick when you check the oil. Do not fill above the mark.

1. Remove the oil cap and clean the dipstick. See *Product overview on page 2* for the location of the dipstick.
2. Add oil to the top mark on the dipstick. Use the dipstick to do a check of the oil level at regular intervals.

- Put the oil cap back.

## To fill fuel

If available, use low-emission/alkylate gasoline. If low-emission/alkylate gasoline is not available, use good quality unleaded gasoline or leaded gasoline. Use gasoline with an octane number of 90 RON out of North America (87 AKI in North America) or higher, and with a maximum of 10% ethanol (E10).

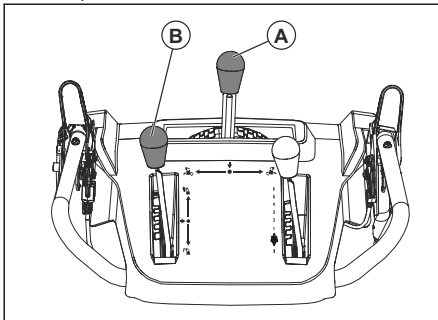


**CAUTION:** Do not use gasoline with an octane number less than 90 RON out of North America (87 AKI in North America). This can cause damage to the product.

- Open the fuel tank cap slowly to release the pressure.
- Fill slowly with a fuel can. If you spill fuel, remove it with a cloth and let remaining fuel dry off.
- Clean the area around the fuel tank cap.
- Tighten the fuel tank cap fully. If the fuel tank cap is not tightened, there is a risk of fire.
- Move the product a minimum of 3 m (10 ft) from the position where you filled the tank, before a start.

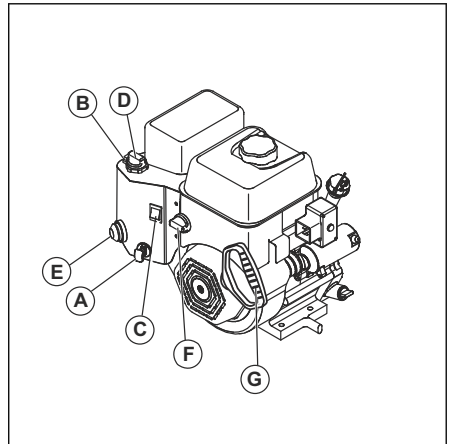
## To adjust the discharge chute and the chute deflector

- To adjust the discharge chute position, move the discharge chute control lever (A) back and to the left or right direction.
- To adjust the snow throwing distance of the chute deflector, move the deflector remote control lever (B) down to decrease the distance and up to increase the distance.



## To start the engine, manual start

- Insert the ON/OFF key (A) into the ignition slot until it clicks. Do not turn the key.



- Turn the fuel ON/OFF switch (F) to the ON position.
- Put the throttle control (B) to the FAST position.
- Put the ON/OFF switch (C) to the ON position.
  - If the engine is cold, rotate the choke (D) to the FULL position and push the primer (E) three times.



**CAUTION:** Do not over prime the engine. It can prevent the engine from starting. If the engine is over primed, wait a few minutes before attempting to start and do not push the primer.

- Pull the starter rope handle (G).



**CAUTION:** Do not release the grip quickly. Move it back to the start position slowly.

**Note:** If the rope starter has frozen, slowly pull out as much rope out of the starter as possible and release the starter rope handle. If the engine does not start, repeat the procedure or use the electric starter.

- If the choke was used to start the engine, slowly move the choke (D) to the OFF position.
- Run the engine 2-3 minutes at idling speed before you start to throw snow.
- If the engine does not run as it should, turn it off.

## To start the engine, electric start



**WARNING:** The product has a 120 V A.C. electric starter. Do not use the electric starter if your house is not a 120 V A.C. three-wire grounded system. Serious personal injury or damage to the product could occur. The electric starter has a three-wire power plug, and is

designed to use 120 V A.C. household current. Make sure that your house is a 120 V A.C. three-wire grounded system. If you are uncertain, ask a licensed electrician.

1. Insert the ON/OFF key (A) into the ignition slot until it clicks. Do not turn the key.
2. Turn the fuel ON/OFF switch (F) to the ON position.
3. Put the throttle control (B) to the FAST position.
4. Put the ON/OFF switch (C) to the ON position.
  - a) If the engine is cold, turn the choke (D) to the FULL position.
5. Push the primer (E) three times.



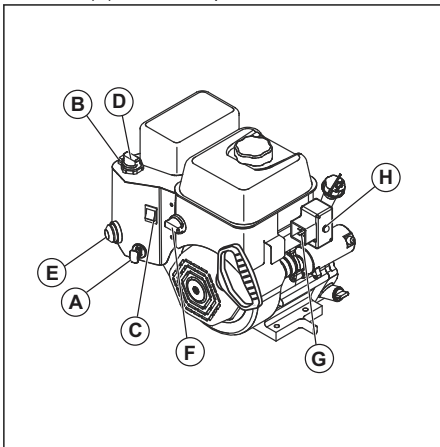
**CAUTION:** Do not over prime the engine. It can prevent the engine from starting. If the engine is over primed, wait a few minutes before trying to start and do not push the primer.

6. Connect the extension cord to the connector on the engine (G).
7. Connect the other end of the extension cord into a three-hole grounded 120 V A.C. receptacle.
8. Push the electric start button (H) until the engine starts.



**CAUTION:** Do not crank the engine more than five continuous seconds between each time you try to start. Wait 5 to 10 seconds between each try.

9. If the choke was used to start the engine, release the electric start button and slowly move the choke (D) to the OFF position.



10. Disconnect the extension cord from the receptacle first and then from the engine.

11. Run the engine 2-3 minutes at idling speed before you start to throw snow.

## To operate the product



**CAUTION:** Do not operate without snow or water to lubricate the auger blades. Incorrect use can cause high temperatures in the auger blades, especially if the product is new. This can cause damage to the auger blades and scraper bar.

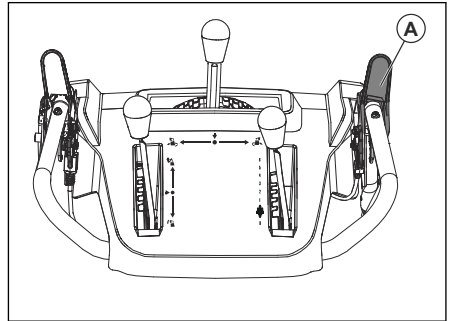


**CAUTION:** Do not partially engage drive or auger levers for an extended period of time; this can lead to premature wear or burning of the belts.

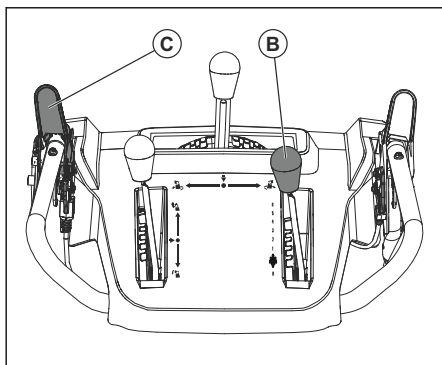
**Note:** When both the drive engagement and auger engagement are engaged, the drive engagement will lock the auger engagement in position. Use the right hand to control the snow discharge chute.

**Note:** Do not change the speed when the drive lever is engaged. This can cause damage to the transmission.

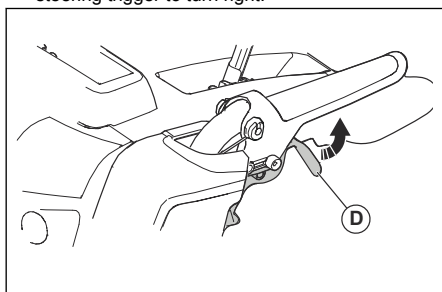
1. To engage the auger blades, push the auger engagement (A) to the handle to engage the auger and throw snow.



2. Raise the drive speed control lever (B) from the middle position to make the product move forward when the drive engagement (C) is engaged. Do not change the speed when the drive lever is engaged. This can cause damage to the transmission.
3. Lower the drive speed control lever from the middle position to make the product move rearward when the drive engagement is engaged.

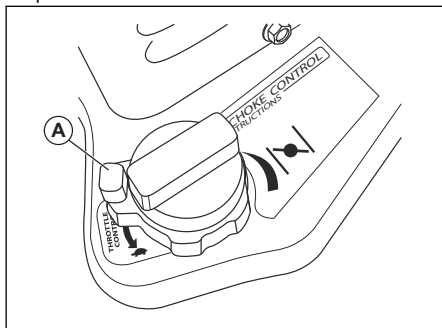


- To make the product move in the selected direction, hold the drive engagement (C) against the handle.
- If the product has power steering, hold the left steering trigger (D) to turn left. Hold the right steering trigger to turn right.



## To stop the product

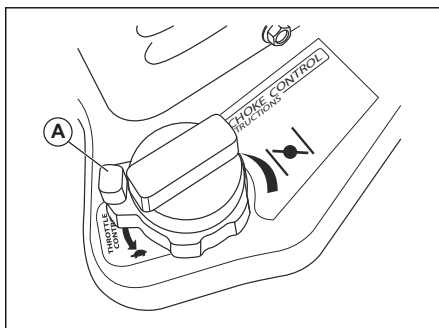
- Move the throttle control (A) to the STOP position.



- Remove the ON/OFF key.

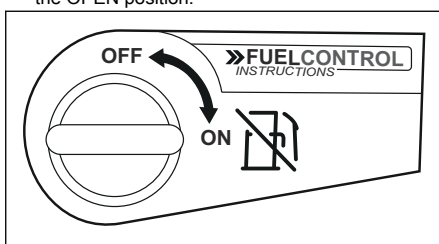
## To use the throttle control

- Turn the throttle control (A) to change the amount of fuel used. Always operate the engine at full throttle.



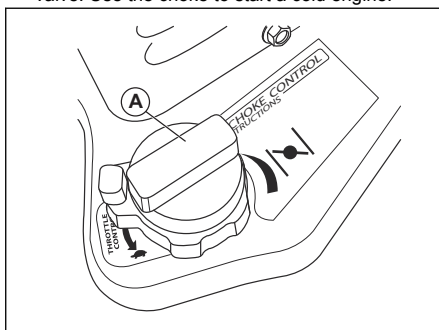
## To use the fuel switch

- Turn the fuel switch to open or close the fuel valve. Operate the product with the fuel switch in the OPEN position.



## To use the choke control

- Turn the choke (A) to open or close the choke valve. Use the choke to start a cold engine.



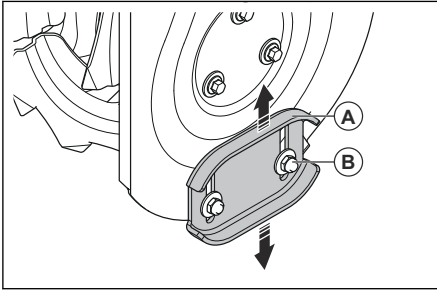
## To adjust the skid plates

No adjustment is required for normal installation.

- When the lock nut (B) is loose or the skid plate (A) is not high enough from the ground, unlock the lock nut (B) with a 13 mm open-ended wrench, to move the skid plate up or down.
- On flat surfaces, like asphalt roads, raise the skid plates (A) 5-6 mm (0.2-0.25 in) off the ground. On uneven surfaces, like gravel roads, make the clearance between the ground and the product larger with the skid plates to get the scraper bar above the top of the gravel. Make sure that the

gravel and stones do not enter into the product. It can cause personal injuries if objects are ejected at high speed.

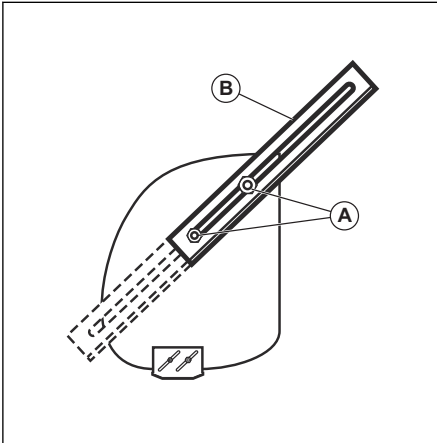
3. Tighten the lock nut (B).



### To use the drift cutters (if equipped)

Use the drift cutters to cut through snowdrifts deeper than the front of the product.

1. Loosen the adjustment nuts (A) on both sides of the product to allow each drift cutter (B) to be raised to its highest position.



2. Tighten the nuts.
3. Lower the drift cutters after use.

### To prevent freeze-up after use

**Note:** Controls and moving parts can be blocked by ice. Do not apply much force to the controls. If you cannot operate a control or a part, start the engine and let it operate for some minutes.

1. Start the engine and let it operate for some minutes. Stop the engine and wait for all moving parts to stop.
2. Remove snow and loose ice from the product.
3. Remove snow and loose ice from the base of the chute.
4. Turn the chute deflector to the left direction and to the right direction to remove ice and water.
5. Set the key to the "OFF" position.
6. If the product does not have an electric starter, pull the starter rope handle several times to remove ice and water.
7. If the product has an electric starter, connect the product to power and push the start button once to remove ice and water.

### To get a good result

- Always run the engine at full throttle or near full throttle.
- Always adapt the speed of the product to the snow situation and adjust the speed with the drive speed control lever. Make sure that the product throws snow evenly.
- It is easier and more efficient to remove snow immediately after it falls.
- Always throw snow downwind whenever possible.
- On flat surfaces, like asphalt roads, raise the skid plates up to 5-6 mm (0.2-0.25 in) off the ground.
- The scraper bar is reversible. When it becomes worn almost to the edge of the housing, reverse it. Replace the scraper bar if it is damaged, or if both sides are worn.
- Do not dispatch the chute deflector if it is clogged.
- If the product does not move forward due to unforeseen circumstances, release the drive engagement immediately or pull out the ON/OFF key to OFF position.

## Maintenance

### Introduction

When the product is in use, bolts can loosen and components can become worn. This can cause

malfunction like incorrect tolerance clearance, increased oil consumption, or misalignment of various components. Do regular maintenance on the product to prevent malfunction.

## Maintenance schedule

Maintenance	Daily	20 hours	50 hours	100 hours
Make sure that nuts and screws are tightened	X			
Do a check of the engine oil level	X			
Replace oil <sup>1</sup>		X	X	X
Make sure there are no fuel or oil leaks	X			
Remove clogging, foreign objects in auger	X			
Inspect the tire pressure <sup>2</sup>			X	
Inspect and change the spark plug <sup>3</sup>				X

**Note:** It is not necessary to add grease or to do other maintenance to the gearbox.

### To do a general inspection

- Make sure that the nuts and screws on the product are tightened.

### To do a check of the oil level



**CAUTION:** A too low oil level can do damage to the engine. Do a check of the oil level before you start the product.

1. Put the product on level ground.
2. Remove the oil tank cap with the attached dipstick.
3. Clean the oil from the dipstick.
4. Put the dipstick fully into the oil tank to give a correct picture of the oil level.
5. Remove the dipstick.
6. Examine the oil level on the dipstick.
7. If the oil level is low, fill with engine oil and do a check of the oil level again.

### To replace the engine oil

1. Run the engine a few minutes to make the oil warm. Warm oil flows better and includes more contaminants.



**WARNING:** The engine oil is hot. Avoid skin contact with the used engine oil.

2. Put the product on level ground.
3. Remove the ON/OFF key.
4. Put a container below the oil drain plug.
5. Remove the oil drain plug, tip the product and drain the used oil in the container.
6. Put the product back to the operating position.
7. Install the oil drain plug and tighten it by hand.
8. Fill the engine with oil, see *To fill the engine with oil on page 9*.

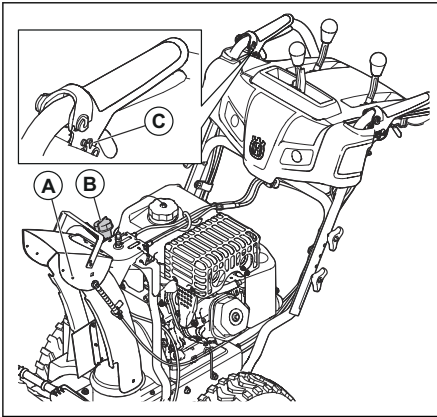
### To lubricate the product

- Lubricate the pivot points (A) with oil.
- Lubricate the engine (B) with oil.
- Apply a small amount of lithium grease to the interlock bosses (C) at the beginning of each season or every 25 hours of use.

<sup>1</sup> Replace the oil after the first 20 h, 50 h, 100 h and then every 100 h.

<sup>2</sup> See Technical data for correct tire pressure.

<sup>3</sup> Check and clean spark plug before use each year.



## Muffler

The muffler keeps the noise levels to a minimum and sends the exhaust fumes away from the operator.

Do not use the product if the muffler is missing or defective. A defective muffler increases the noise level and the risk of fire.

Examine the muffler regularly to make sure that it is attached correctly and not damaged.



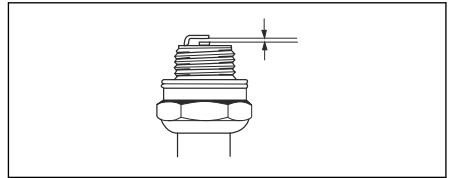
**CAUTION:** The muffler becomes very hot during and after use and when the engine operates at idle speed. Be careful near flammable materials and/or fumes to prevent fire.

## To examine the spark plug



**CAUTION:** Always use the recommended spark plug type. Incorrect spark plug type can cause damage to the product.

- Examine the spark plug if the engine is low on power, is not easy to start or does not operate correctly at idle speed.
- To decrease the risk of unwanted material on the spark plug electrodes, obey these instructions:
  - a) Make sure that the idle speed is correctly adjusted.
  - b) Make sure that the fuel mixture is correct.
  - c) Make sure that the air filter is clean.
- If the spark plug is dirty, clean it and make sure that the electrode gap is correct, see *Technical data on page 23*.



- Replace the spark plug if it is necessary.

## To inspect the augers and the scraper bar

1. Before each use, inspect the augers and the scraper bar for wear.
2. If the edge of the scraper bar is worn, reverse the scraper bar. If the scraper bar has damages or is worn on both edges, replace it.
3. If the edges of the augers are worn, contact an authorized service center to replace them.

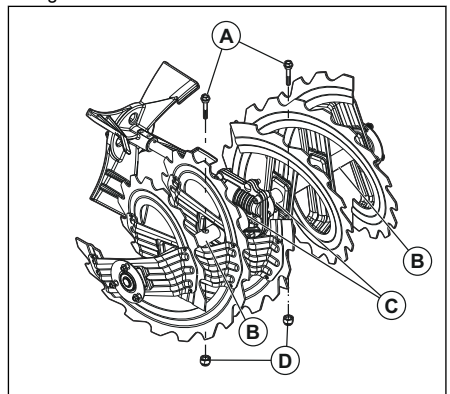
## To replace the auger shear pins

The auger shear pins protect the product from damage. The auger shear pins break if an object comes into the moving parts.



**CAUTION:** Use only original equipment shear pins supplied with the product.

1. If an auger shear pin breaks, stop the engine and wait for the moving parts to stop.
2. Remove the ON/OFF key and disconnect the spark plug cable.
3. Align the hole in the auger hub (B) with the hole in the auger shaft (C) and install a new  $\frac{1}{4}$  - 20 x 2 shear pin (A).
4. Install a  $\frac{1}{4}$ -20 locknut (D) on the shear pin and tighten.



5. Put the ON/OFF key in the ignition and connect the spark plug cable to the spark plug.

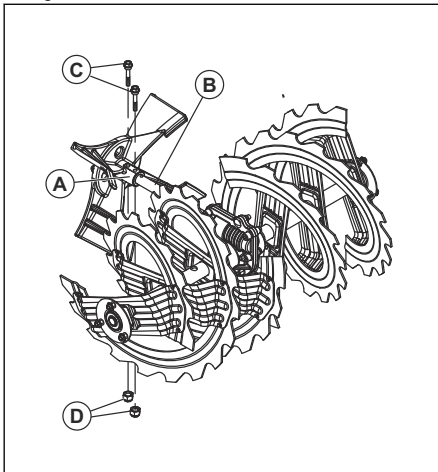
## To replace the impeller shear pins

The impeller shear pins protect the product from damage. The impeller shear pins break if an object comes into the moving parts.



**CAUTION:** Use only original equipment shear pins supplied with the product.

1. If an impeller shear pin breaks, stop the engine and wait for the moving parts to stop.
2. Remove the ON/OFF key and disconnect the spark plug cable.
3. Align the hole in the impeller hub (A) with the holes in the impeller shaft (B) and install a new 1/4-20 shear pin (C).
4. Install a 1/4-20 locknut (D) on the shear pin and tighten.



5. Put the ON/OFF key in the ignition and connect the spark plug cable to the spark plug.

## To examine the tires

- Keep the tires free of fuel, oil and chemicals to prevent damage to the rubber.
- Keep the tires away from stumps, stones, ruts, sharp objects and other objects which can cause damage to the tires.
- Keep the tire pressure correct, see *Technical data on page 23*.

## To clear a clogged chute deflector

Do not unclog the chute deflector before the following operations are made.

1. Release the auger engagement and the drive engagement at the same time.
2. Wait 10 seconds to make sure that the augers have stopped.
3. Stop the product.

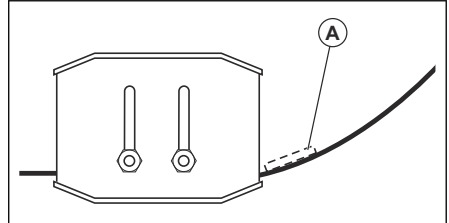
4. Use the clean-out tool (at least 15" long, included in some models) to remove the clog.



**WARNING:** Do not put your hands into the chute deflector or inside the auger housing.

## To replace the scraper bar

1. Put the scraper bar (A) in a reversed position when it is worn to the edge of the housing.



2. Replace the scraper bar if it is worn on both sides or if it is damaged.

## Drive belts



**WARNING:** The v-belts on your product are of special construction and should be replaced by original equipment manufacturer (OEM) belts available from your nearest service center. Using other than OEM belts can cause personal injury or damage to the product.



**WARNING:** The belt replacement requires separation of the product. While separating the auger housing from the frame, it is important that an assistant stands in the operating position and holds the product handles. Serious personal injury and/or damage to the product could occur if the product falls during the belt replacement process.

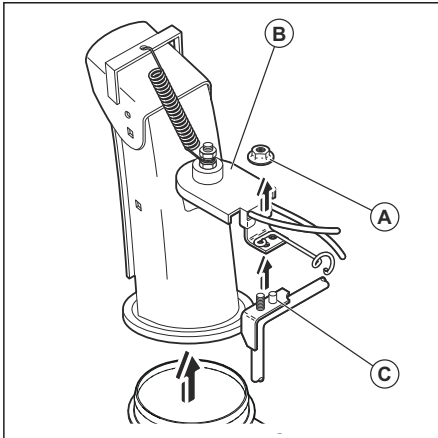
**Note:** The auger and traction drive belts are not adjustable. Replace the belts if they are damaged or begin to slip from wear. It is recommended to have the belts replaced by a qualified service center.

**Note:** It is recommended to replace the drive belt and auger belt at the same time.

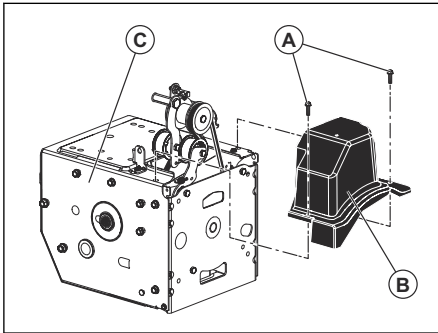
## To prepare for replacement of the belts

1. Remove the fuel from the fuel tank.
2. Loosen the lock nut (A) that secures the chute rotator head (B) to the mounting bracket (C) to remove the discharge chute.



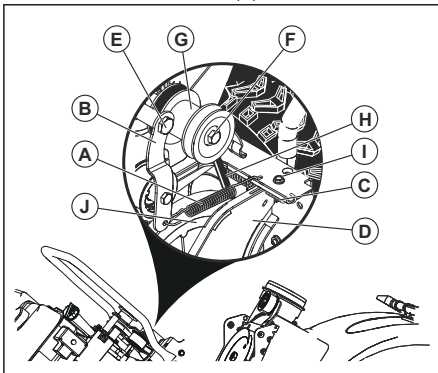


3. Loosen the two screws (A) that secure the belt cover (B) to the frame (C) and remove the belt cover.



### To remove the drive belt

1. Remove the auger belt. See *To remove the auger belt on page 18*.
2. Remove the tensioner spring (A) attached to the drive belt tensioner arm (B).

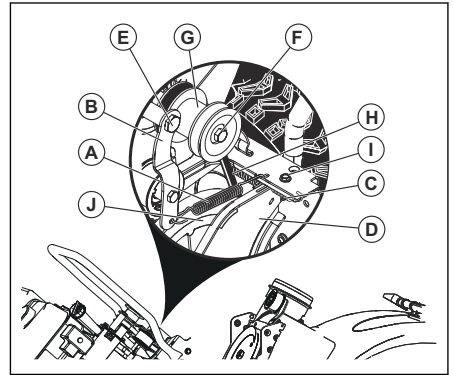


3. Remove the return spring (C) holding the swing plate (D) in place.

4. Remove the arm bolt (E) and drive belt tensioner arm.
5. Remove the pulley bolt (F), engine pulley (G) and drive belt (H) from the engine.
6. Remove the top bolt (I) holding the swing plate to the frame
7. Pivot and hold the swing plate away from the product and remove the drive belt from the drive pulley (J).

### To install the drive belt

1. Pivot and hold the swing plate (D) away from the product.



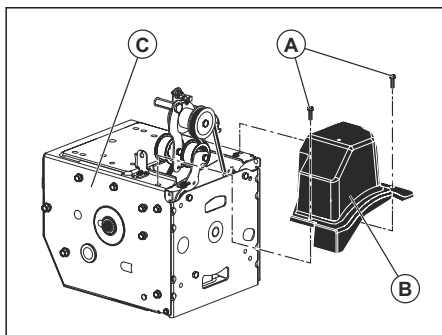
2. Put the drive belt (H) onto the drive pulley (J).

**Note:** Make sure that the drive belt is routed in the drive pulley groove properly before you lower the swing plate.

3. Install and tighten the top bolt (I).
4. Put the drive belt in the groove of the engine pulley (G) before installing on the engine shaft.
5. Install the pulley bolt (F) and attach the engine pulley on the engine. Tighten the pulley bolt (30-35 Ft. Lbs. / 41-47 Nm).
6. Install the drive belt tensioner arm (B) and tighten the arm bolt (E) on the engine.
7. Install the return spring (C) on the swing plate.
8. Install the tensioner spring (A) on the tensioner arm.
9. Operate all controls to make sure that the drive belt is installed correctly and that all components are moving correctly.

### To install the belt cover

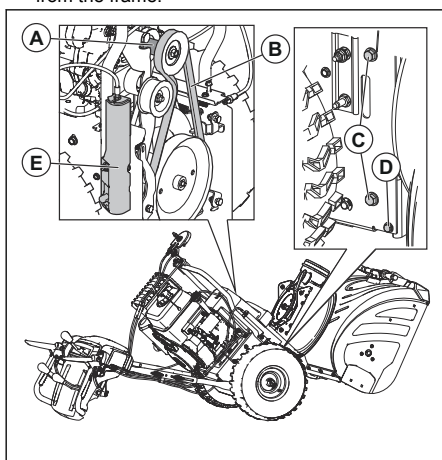
1. Install the belt cover (B) on the frame (C) and tighten the two screws (A).



2. Install the discharge chute.

### To remove the auger belt

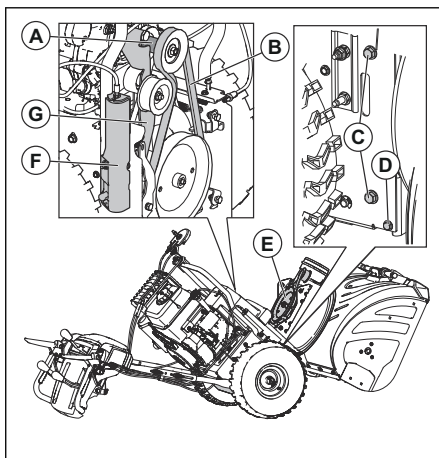
1. Remove the 5/16" nut and the cable cover (E) from the frame.



2. Remove the top 5/16" bolts and lower 1/4" bolts (D) from the 2 sides of the frame. Do not discard the bolts.
3. Loosen but do not remove the lower 5/16" bolts (C) on the 2 sides of the frame.
4. Remove the auger belt (B) from the engine pulley (A).
5. Tilt the rear section down. The front section will tilt forward at the same time. The bottom bolt is a hinge between the front and rear sections.
6. Put a wooden block below the hinge point to set the product in the tilted position.
7. Move the auger brake arm and remove the auger belt (B) from around the arm.

### To install the auger belt

1. Move the auger brake arm (G) and put the auger belt around and in the groove of the auger pulley (E).

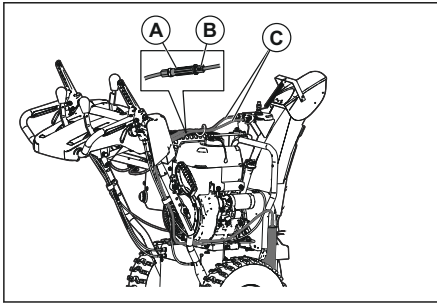


**CAUTION:** Make sure that the belt is not caught between the frame and auger housing as you put the unit together.

2. Remove the wooden block from below the product.
3. Lift the handles to tilt the rear section up. The front section will tilt back and pivot to attach the rear section.
4. Make sure that the belt is put in the auger pulley (E) groove correctly.
5. Install the 5/16" bolts (C), and tighten (11-16 Nm).
6. Install the 1/4" bolts (D) and tighten (5-8 Nm).
7. Install the auger belt (B) on the engine pulley (A). Make sure that the belt is put correctly around the idler pulley and installed correctly in the engine pulley groove.
8. Install the cable cover (F) and the 5/16" nut on the frame.
9. Operate all controls to make sure that the auger belt is installed correctly and that all components are moving correctly.

### To adjust the tension of the cable for the discharge chute deflector

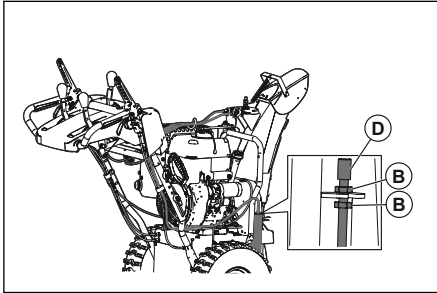
1. Loosen the jam nuts (B) to adjust the tension of the cable for the discharge chute adjacent to the adjuster turnbuckle (A).



2. Hold the short section and turn the long section to increase the adjuster.
3. Adjust until the cable for the discharge chute deflector (C) has a tight fit. Tighten the jam nuts.

### To adjust the auger control cable

1. Remove the cable cover on the right hand side of the frame (D).

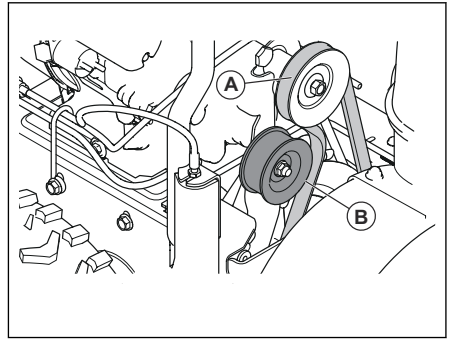


2. To remove slack from the auger control cable, unscrew the bottom jam nut (B) and tighten the top jam nut (B) until the auger belt tension has increased.
3. Retest the auger engagement. Repeat adjustment as needed until only a small amount of slack remains in the cable when the lever is disengaged.
4. Tighten the bottom jam nut to lock in the tension.

**Note:** You may also tension the auger belt by adjusting the idler pulley as a secondary option. If the adjustment does not resolve the problem, replace the auger belt. See *To remove the auger belt on page 18*.

### To adjust the belt tension

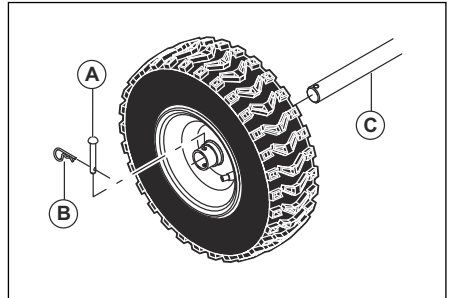
1. Remove the belt cover. See *To prepare for replacement of the belts on page 16*.
2. Loosen the idler pulley nut (A).



3. Slide the idler pulley closer to the belt to increase the belt tension. Slide it away from the belt to decrease the belt tension.
4. Tighten the idler pulley nut (A).
5. To make sure that the belt is declutched fully when the auger lever is disengaged, have an assistant stand 10 feet / 3 meters in front of the product, on the opposite side of the chute. The assistant observes the rotation of the auger, and measures the time it takes for the auger to stop rotating when the lever is released. If the auger stops rotating after more than 5 seconds, repeat the adjustment and slide the idler pulley further from the belt.
6. When the auger stops rotating after less than 5 seconds, install the belt cover. See *To prepare for replacement of the belts on page 16*.

### To remove the wheels

1. Remove the wheel pin (A) and the retainer pin (B).
2. Remove the wheel from the axle (C).



### To clean the product

- Clean plastic parts with a clean and dry cloth.
- Do not use a high pressure washer to clean the product.
- Do not flush water directly on the motor.
- Use a brush to remove leaves, grass and dirt.

# Troubleshooting

## Troubleshooting

Problem	Possible cause	Solution
The product does not start	The safety ignition key is not inserted.	Insert the safety ignition key.
	The product is out of fuel.	Fill the fuel tank with fresh, clean gasoline.
	The ON/OFF key is OFF.	Move the ON/OFF key to ON position.
	The choke is in OFF (CLOSE) position.	Move the choke to ON (FULL, OPEN) position.
	The primer is not depressed.	Press the primer.
	The engine is flooded.	Wait a few minutes before restarting, DO NOT prime.  Restart the engine while full throttle and the choke in OFF (CLOSE) position.
	The spark plug cable is not connected.	Connect the cable to the spark plug.
	The spark plug is bad.	Replace the spark plug.
	There is water in the fuel or the fuel is too old.	Empty the fuel tank and carburetor. Fill the fuel tank with fresh, clean gasoline.
	There is vapor locked in the fuel line.	Make sure that all the fuel line is below the outlet of the fuel tank. The fuel line should run continuously down from fuel tank to carburetor.
	Other causes.	Inspect the starting procedures carefully in this manual.
	The fuel switch (if equipped) is in CLOSE (OFF) position.	Turn the fuel switch to OPEN (ON) position.
The throttle is in STOP position.	Move the throttle to FAST position.	

<b>Problem</b>	<b>Possible cause</b>	<b>Solution</b>
Decreased power	The spark plug cable is not connected.	Connect the cable to the spark plug.
	The product throws too much snow.	Decrease the speed and the width of the swath.
	The fuel tank cap is covered with ice or snow.	Remove the ice and the snow on and around the fuel tank cap.
	The muffler is dirty or clogged.	Clean or replace the muffler.
	Improper cable length.	Adjust the cable.
	The muffler is blocked.	Make sure that the engine is cool. Clear the blockage.
	The air intake of the carburetor is blocked.	Make sure that the engine is cool. Clear the blockage.
The engine idles or runs roughly	The choke is in ON (FULL, OPEN) position.	Move the choke to OFF (CLOSE) position.
	The fuel line is blocked.	Clean the fuel line.
	There is water in the fuel or the fuel is too old.	Empty the fuel tank and carburetor. Fill the fuel tank with fresh, clean gasoline.
	The carburetor needs to be replaced.	Contact an authorized service center.
	The belt is stretched.	Replace the auger v-belt.
Excessive vibration / Handle movement	Some parts are loose. The augers are damaged.	Tighten all fasteners. Replace the damaged parts. If vibration remains, contact an authorized service center.
	The handles are not positioned correctly.	Make sure that the handles are locked into position.
	The adjustment lever nuts are loose.	Tighten the nuts until the handle feels safe.
The starter rope handle is hard to pull	The starter rope handle is frozen.	Slowly pull out as much rope out of the starter as possible and release the starter rope handle. If the engine does not start, repeat the procedure or use the electrical starter.
	The starter rope is interfering with components.	The starter rope should not touch any cables or hoses.

<b>Problem</b>	<b>Possible cause</b>	<b>Solution</b>
Loss of traction drive/ slowing of drive speed  Loss of snow discharge or slowing of snow discharge	The belt slips.	Adjust the cable. Adjust the belt.
	The belt is worn.	Check / replace the belt. Adjust the pulley.
	The belt is off the pulley.	Check / reinstall the belt. Adjust the pulley.
	The chute deflector is clogged.	Clean the chute deflector.
	Foreign objects clog the augers.	Remove the debris or the foreign object from the augers.
	The shear pin is broken.	Replace the broken shear pin.
	Excessive snow and ice build up in between track components.	Remove snow and ice build up from in between track components.
	The friction drive wheel is worn.	Contact an authorized service center.
	The friction disc is wet	Let the friction disc dry
Failure of auger rotation after the grip is released	The drive belt is not aligned.	Adjust the drive belt.
	The discharge deflector is not aligned.	Adjust the discharge deflector.
The lights are not on (if so equipped)	The engine is not running.	Start the engine.
	The cable connection is loose.	Check the cable connections at the engine and the lights.
	The LED is burnt out.	Replace the LED light module. Individual LEDs can not be replaced.
The chute rotator is difficult to move	There is debris in the chute rotator mechanism.	Clean the internal parts of the chute rotator mechanism.
	The cables are kinked or damaged.	Make sure that the cables are not kinked. Replace the cables that are damaged.
The product turns to one side	The tire pressure is not equal.	Adjust the tire pressure and fill the tire.
	The product drives with only one wheel.	Inspect the tire lock pin.
	Uneven sled adjustment.	Adjust the skid plates and the sledge.
	Uneven skid plates adjustment.	Adjust the skid plates and the sledge.

---

## Transportation, storage and disposal

---

### Transportation and storage

- For storage and transportation of the product and fuel, make sure that there are no leaks or fumes. Sparks or open flames, for example from electrical devices or boilers, can start a fire.
- Always use approved containers for storage and transportation of fuel.
- Empty the fuel tank before you put the product in storage for a long period of time. Discard the fuel at an applicable disposal location
- Safely attach the product during transportation to prevent damage and accidents.

- Keep the product in a locked area to prevent access for children or persons that are not approved.
- Keep the product in a dry and frost free area.

- Discard all chemicals, such as engine oil or fuel, at a service center or at an applicable disposal location.
- When the product is no longer in use, discard it at a recycling location.

## Disposal

- Obey the local recycling requirements and applicable regulations.

---

## Technical data

---

### Technical data

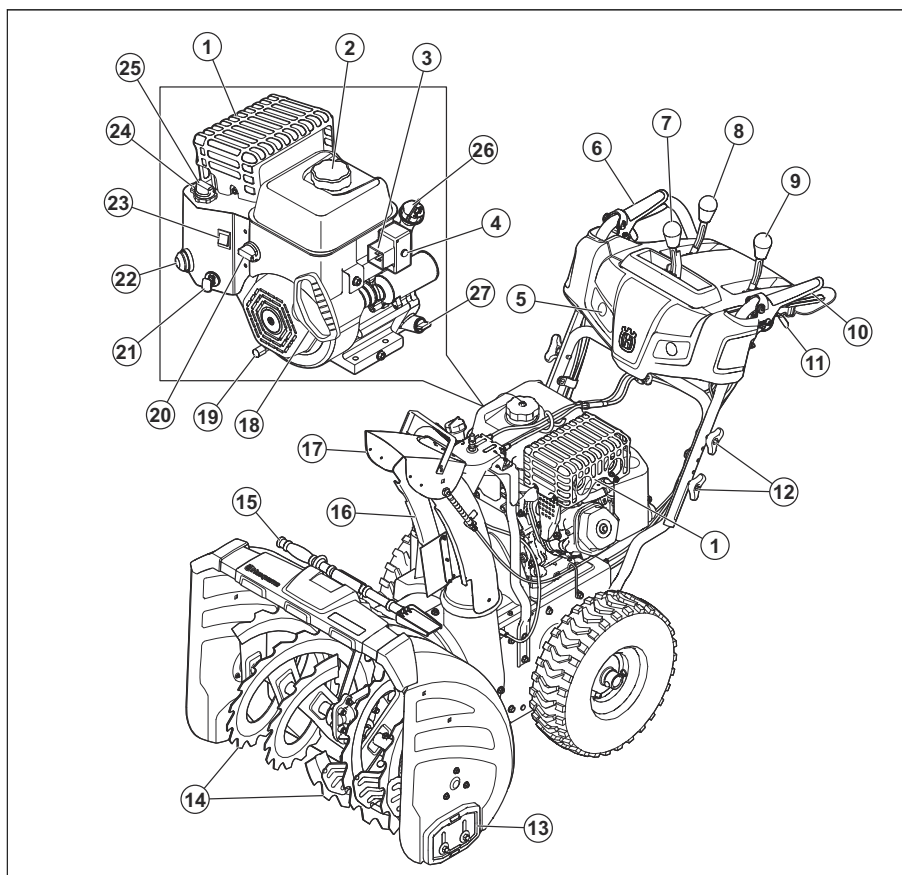
	ST 324	ST 327	ST 330
<b>Dimensions</b>			
Weight, with empty tanks, kg	108	115	121
Max. operating tire pressure, PSI	18	18	20
<b>Engine</b>			
Brand	LCT	LCT	LCT
Displacement, cc	254	291	369
Fuel type	Unleaded regular (maximum 10% ethanol)		
Fuel capacity, gallons / liters	0.35 / 1.33	0.62 / 2.35	0.62 / 2.35
Oil type (API SJ-SN)	SAE 5W30 (below 0°C (32°F))		
Oil capacity ounces / liters	20 / 0.59	32 / 0.95	38 / 1.12
<b>Electrical system</b>			
Spark plug	F6RTC or F7RTC		
Spark plug electrode gap (in / mm)	0.030 / 0.762		

## Contenido

Introducción.....	24	Mantenimiento.....	36
Seguridad.....	26	Solución de problemas.....	44
Montaje.....	29	Transporte, almacenamiento y eliminación de residuos.....	46
Funcionamiento.....	32	Datos técnicos.....	47

## Introducción

### Descripción general de la máquina



1. Silenciador
2. Tapón de llenado de gasolina
3. Conexión, arranque eléctrico
4. Botón de arranque eléctrico
5. Luz
6. Acoplamiento del barreno
7. Palanca de control del conducto de expulsión
8. Palanca de ajuste del régimen de velocidad
9. Palanca del control remoto del deflector
10. Acoplamiento de la transmisión
11. Gatillos de dirección
12. Perilla del mango



13. Plancha protectora
14. Barrenos
15. Herramienta de limpieza
16. Conducto de expulsión
17. Deflector del conducto
18. Empuñadura de la cuerda de arranque
19. Drenaje de aceite
20. Interruptor de combustible
21. Llave de encendido/apagado (ON/OFF)
22. Cebador
23. Interruptor ENCENDER/APAGAR
24. Control del acelerador
25. Estrangulador
26. Todos los modelos con llenado de aceite. Varilla de nivel (ST 324)
27. Varilla de nivel (ST 327, ST 330)

## Descripción de la máquina

El producto es un quitanieves con ruedas que se utiliza para retirar la nieve del suelo.

## Uso específico

Este producto puede utilizarse para retirar la nieve de campos, caminos, senderos y accesos. No lo utilice en pendientes superiores a 20°. No utilice el producto en áreas con muchos residuos, suciedad y piedras protuberantes.

## Símbolos en el producto

**Tenga en cuenta:** Si las etiquetas del producto están dañadas, comuníquese con el distribuidor para sustituirlas.



¡Advertencia!



Lea el manual de instrucciones.



Motor en marcha



Motor apagado.



Rápido.



Lento.



Estrangulador.



Cebador.



Combustible.



Aceite.



Hacia delante.



Reversa.



Se recomienda usar protectores auriculares.



No retire las protecciones mientras el motor está funcionando.



Retire el cable de la bujía antes de realizar tareas de mantenimiento.



Accionamiento de tracción desactivado/activado.



Descarga de nieve desactivada/activada.



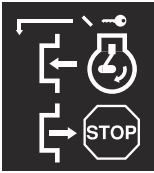
Tenga cuidado con los objetos que puedan salir eyectados; mantenga la zona despejada de personas.



Advertencia: Mantenga las manos alejadas.



Advertencia: Mantenga los pies alejados.



Llave de encendido. Introdúzcala para arrancar y poner en funcionamiento el motor, y extráigala para detenerlo.

## Responsabilidad del fabricante

Como se menciona en las leyes de responsabilidad del fabricante, no nos hacemos responsables de los daños que cause nuestro producto si:

- el producto se repara incorrectamente
- el producto se repara con piezas que no son del fabricante o que este no autoriza
- el producto tiene un accesorio que no es del fabricante o que este no autoriza
- el producto no se repara en un centro de servicio autorizado o por una autoridad aprobada.

## Seguridad

### Definiciones de seguridad

Las siguientes definiciones proporcionan el nivel de gravedad de cada palabra clave.



**ADVERTENCIA:** Lesiones a personas.



**AVISO:** Daños en el producto.

**Tenga en cuenta:** Esta información hace que el producto sea más fácil de usar.

### Instrucciones generales de seguridad

- Utilice el producto correctamente. Las lesiones graves o fatales son un posible resultado de un uso incorrecto. Solo utilice el producto para las tareas que aparecen en este manual. No utilice el producto para otras tareas.
- Obedezca las instrucciones contenidas en este manual. Obedezca los símbolos y las instrucciones de seguridad. Si el usuario no obedece las instrucciones y los símbolos, es posible que se produzcan daños y lesiones tanto graves como fatales.
- No deseche este manual. Utilice las instrucciones para montar, operar y mantener el producto en buen estado. Utilice las instrucciones para la correcta instalación de piezas y accesorios. Utilice solamente piezas y accesorios homologados.
- No use un producto dañado. Cumpla con el programa de mantenimiento. Realice solamente las tareas de mantenimiento en las que se detallan instrucciones en este manual. Un centro de servicio autorizado debe realizar todos los demás trabajos de mantenimiento.
- En este manual no se pueden abarcar todas las situaciones que pueden ocurrir cuando se utiliza el producto. Tenga cuidado y use el sentido

común. No haga funcionar el producto ni realice mantenimientos si no está seguro acerca de la situación. Hable con un experto en el producto, su distribuidor, el agente de servicio o un centro de servicio autorizado para obtener más información.

- Desconecte el cable de la bujía antes de montar o almacenar el producto, o realizar tareas de mantenimiento.
- No utilice el producto si cambia su especificación inicial. No cambie una parte del producto sin la aprobación del fabricante. Utilice solamente las piezas que están aprobadas por el fabricante. Las lesiones graves o fatales son un posible resultado de un mantenimiento incorrecto.
- No respire los humos del motor. La inhalación prolongada de los gases de escape es un riesgo para la salud.
- No encienda el producto en interiores o cerca de materiales inflamables. Los gases de escape están muy calientes y pueden crear incendios debido a la creación de chispas. Un flujo de aire insuficiente puede causar lesiones graves o fatales por asfixia o debido al monóxido de carbono.
- Cuando utilice este producto, el motor crea un campo electromagnético. El campo electromagnético puede causar daños a implantes médicos. Hable con su médico y fabricante del implante antes de utilizar el producto.
- No deje que un niño utilice el producto. No permita que una persona que no conozca las instrucciones utilice el producto.
- Asegúrese de supervisar siempre a una persona con capacidades físicas o mentales limitadas que utilice el producto. Debe haber un adulto responsable en todo momento.
- Mantenga el producto en un área a la cual los niños y las personas no autorizadas no puedan acceder.
- El producto puede expulsar objetos y causar lesiones. Siga las instrucciones de seguridad para reducir el riesgo de lesiones graves o fatales.

- No se aleje del producto cuando el motor esté en marcha.
- El operador del producto es responsable en caso de un accidente.
- Antes de caminar hacia atrás y mientras lo hace, mire hacia atrás y hacia abajo para cerciorarse de que no haya niños pequeños, animales u otros riesgos que puedan provocar caídas.
- Asegúrese de que las piezas no estén dañadas antes de utilizar el producto.
- Asegúrese de estar al menos 15 m (50 pies) de distancia de otras personas o animales antes de utilizar el producto. Asegúrese de que una persona en el área adyacente sepa que utilizará el producto.
- Consulte las leyes locales o nacionales. Estas pueden evitar o disminuir el funcionamiento del producto en algunas condiciones.
- Nunca dirija el deflector del conducto hacia las personas o hacia zonas donde puedan ocurrir daños a la propiedad. Mantenga alejados a los niños y a otras personas.
- No sobrecargue la capacidad del producto intentando retirar nieve a una velocidad demasiado rápida.
- Nunca haga funcionar el producto a una alta velocidad de transporte en superficies resbaladizas. Mire hacia atrás y tenga cuidado cuando retroceda.
- Desconecte la alimentación de los barrenos para transportar el producto o cuando no esté en uso.
- Utilice solamente los implementos y accesorios homologados por el fabricante del producto, por ejemplo, los pesos de las ruedas, contrapesos o cabinas.
- Nunca haga funcionar el producto sin buena visibilidad o luz. Preste atención mientras camina y mantenga firmes las empuñaduras. Camine, nunca corra.
- Nunca toque un motor o silenciador calientes.

## Instrucciones de seguridad para el funcionamiento

- No ponga las manos ni los pies cerca o debajo de las piezas giratorias. Manténgase alejado de la abertura de descarga en todo momento.
- Tenga extremo cuidado cuando trabaje en caminos, pasos o accesos de grava o pase por ellos. Manténgase alerta para detectar riesgos ocultos o tránsito
- Después de golpear un objeto extraño, detenga el motor, desconecte el cable de la bujía o desconecte el hilo en los motores eléctricos. Inspeccione atentamente la máquina para detectar daños y repárelos antes de volver a encender y ocupar el producto.
- Si el equipo comienza a vibrar de manera anormal, detenga el motor y revise de inmediato para encontrar la causa. La vibración es generalmente una advertencia de problemas.
- Detenga el motor siempre que abandone la posición de operación, antes de destapar la carcasa del barreno o el deflector del conducto y también cuando realice reparaciones, ajustes o inspecciones.
- Cuando realice la limpieza, reparación o inspección del producto, detenga el motor y asegúrese de que los barrenos y todas las piezas móviles se detuvieron. Desconecte el cable de la bujía y manténgalo lejos de la bujía para evitar que alguien arranque el motor accidentalmente.
- No haga funcionar el motor en interiores, excepto cuando arranque el motor y para el transporte del producto dentro o fuera del edificio. Abra las puertas externas; los gases de escape son peligrosos.
- Ponga extrema atención cuando trabaje en pendientes.
- Nunca haga funcionar el producto sin las debidas protecciones ni los dispositivos protectores de seguridad en su lugar y en funcionamiento.

## Seguridad en el área de trabajo

- Inspeccione atentamente el área donde se va a utilizar el equipo y retire todos los tapetes, trineos, tablas, cables y otros objetos extraños.
- Desacople todos los embragues y ponga el cambio en neutro antes de arrancar el motor.
- No maneje el producto sin usar la indumentaria de invierno adecuada. Evite usar ropa floja que pueda quedar atrapada en las piezas móviles. Utilice calzado que mejore la postura en superficies resbaladizas.
- Manipule el combustible con cuidado; es altamente inflamable.
  - Use un recipiente de combustible aprobado.
  - Nunca agregue combustible a un motor en marcha o caliente.
  - Llene el depósito de combustible en el exterior, con máximo cuidado. Nunca llene el depósito de combustible en interiores
  - Nunca llene los recipientes de combustible dentro de un vehículo, en un camión o sobre la plataforma de un remolque con revestimiento plástico. Siempre coloque los recipientes en el suelo, alejados del vehículo, antes de rellenar.
  - Cuando sea posible, retire el equipo a gasolina del camión o tráiler y reabastézcalo en el suelo. Si no es posible, entonces reabastezca el equipo en un tráiler con un recipiente portátil, en lugar de hacerlo directamente con la boquilla del dispensador de gasolina.
  - Mantenga la boquilla en contacto con el borde del depósito o recipiente de combustible abriéndolo siempre hasta que el abastecimiento de combustible esté completo. No use un dispositivo que mantenga abierto el seguro de la boquilla.

- Vuelva a colocar la tapa de la gasolina con seguridad y limpie todo el combustible que se haya derramado.
- Si el combustible se derrama sobre la ropa, cámbiesela de inmediato.
- Utilice los cables de extensión y receptáculos especificados por el fabricante para todas las unidades con motores de transmisión eléctrica o de arranque eléctrico.
- Ajuste la altura de la carcasa del barreno para limpiar superficies rocosas o de grava.
- Nunca intente realizar ajustes con el motor en marcha, excepto si el fabricante lo recomienda específicamente.
- Siempre utilice gafas protectoras o protectores oculares durante el funcionamiento o cuando realice ajustes o reparaciones a fin de proteger los ojos de objetos extraños que puedan ser eyectados de la máquina.

## Equipo de protección personal

Utilice siempre el equipo de protección personal adecuado cuando use el producto. Esto incluye, como mínimo, calzado resistente, protección ocular y protectores auriculares. El equipo de protección personal no elimina el riesgo de lesiones, pero puede disminuir el grado de las lesiones en caso de accidente.

- Siempre use gafas de seguridad o protección ocular cuando opere el producto o realice tareas de mantenimiento o reparación.
- Utilice siempre indumentaria de invierno adecuada cuando opere el producto.
- Utilice siempre botas antideslizantes de servicio pesado con buen soporte de tobillo durante el funcionamiento del producto.
- No utilice ropa floja que pueda quedar atrapada en las piezas móviles.
- Utilice guantes protectores homologados, si es necesario. Por ejemplo, al instalar, examinar o limpiar la cuchilla.
- Use siempre protectores auriculares autorizados cuando utilice el producto. Escuchar ruidos durante un largo período puede provocar pérdida de audición inducida por el ruido.

## Dispositivos de seguridad en el producto

- Asegúrese de realizar el mantenimiento del producto frecuentemente.
  - Esto aumenta la vida útil del producto.
  - Disminuye el riesgo de accidentes.

Permita que un concesionario autorizado o un centro de servicio autorizado examinen frecuentemente el producto para realizar ajustes o reparaciones.

- No use un producto con equipo de protección dañado. Si el producto está dañado, comuníquese con un centro de servicio autorizado.

## Silenciador

El silenciador mantiene los niveles de ruido al mínimo y envía los gases de escape lejos del operador.

No utilice el producto si el silenciador no está instalado o está defectuoso. Un silenciador defectuoso aumenta el nivel de ruido y el riesgo de incendio.

Examine el silenciador con regularidad para asegurarse de que está instalado correctamente y que no esté dañado.



**AVISO:** El silenciador se calienta mucho durante y después del uso y cuando el motor funciona en régimen de ralentí. Tenga cuidado cerca de materiales o vapores inflamables para prevenir incendios.

## Seguridad de combustible




**ADVERTENCIA:** Lea atentamente las instrucciones de advertencia siguientes antes de usar el producto.

- No arranque el producto si hay combustible o aceite de motor en el producto. Quite el combustible o aceite no deseado y deje secar el producto.
- Si derrama combustible en su ropa, cámbiese la ropa inmediatamente.
- No permita que le caiga combustible en el cuerpo, ya que puede causar lesiones. Si le cae combustible en el cuerpo, utilice jabón y agua para quitarlo.
- No arranque el producto si el motor tiene una fuga. Examine frecuentemente el motor en busca de fugas.
- Tenga cuidado con el combustible. El combustible es inflamable y los gases son explosivos y pueden causar lesiones graves o fatales.
- No respire los gases del combustible, ya que pueden causar lesiones. Asegúrese de que haya suficiente flujo de aire.
- No fume cerca del combustible o del motor.
- No coloque objetos calientes cerca del combustible o del motor.
- No agregue combustible cuando el motor esté en marcha.
- Asegúrese de que el motor se enfríe antes de llenar el depósito de combustible.
- Antes de llenar el depósito de combustible, abra lentamente la tapa del depósito de combustible y libere la presión con cuidado.
- No agregue combustible al motor en un área interior. Un flujo de aire insuficiente puede causar lesiones graves o fatales por asfixia o debido al monóxido de carbono.

- Apriete bien la tapa del depósito de combustible. Si no aprieta la tapa del depósito de combustible, se genera un riesgo de incendio.
- Mueva el producto a un mínimo de 3 m (10 pies) de la posición en la que se llenó el depósito antes de empezar a usarlo.
- No ponga demasiado combustible en el depósito de combustible.

## Propuesta 65



# ¡ADVERTENCIA!

Los gases de escape del motor de este producto contienen sustancias químicas conocidas en el Estado de California como causantes de cáncer, defectos congénitos y otros daños reproductivos.

## Instrucciones de seguridad para el mantenimiento



**ADVERTENCIA:** Lea atentamente las instrucciones de advertencia siguientes antes de usar el producto.

- Los gases de escape del motor contienen monóxido de carbono, un gas inodoro, tóxico y muy peligroso. No arranque el motor en interiores o en espacios cerrados.
- Antes de realizar el mantenimiento del producto, detenga el motor y quite el cable de encendido de la bujía.
- Utilice guantes protectores cuando realice las tareas de mantenimiento en las cuchillas. Las cuchillas son muy afiladas y pueden producir cortes con facilidad.
- Accesorios y modificaciones en el producto que no estén aprobados por el fabricante pueden causar lesiones graves o la muerte. No modifique el producto. Siempre utilice accesorios aprobados por el fabricante.
- Si el mantenimiento no se realiza de manera correcta y regular, aumenta el riesgo de sufrir lesiones y causar daños en el producto.
- Solo realice tareas de mantenimiento como se indica en el presente manual del usuario. Todas las demás tareas de mantenimiento se deben realizar en un taller de servicio aprobado.
- Procure realizar las tareas de mantenimiento con regularidad en un taller de servicio aprobado.
- Cambie las piezas dañadas, desgastadas o rotas.

## Montaje

### Para extraer el producto de la caja de cartón

1. Retire las piezas sueltas que se incluyen con el producto. Recorte las cuatro esquinas de la caja y coloque los paneles del extremo en una superficie plana.
2. Extraiga los dos tornillos que sujetan la carcasa del barreno al palé. Extraiga los soportes de acero de las planchas protectoras, si tienen.
3. Retire todos los materiales de embalaje.
4. Retire el producto de la caja y asegúrese de que no queden piezas sueltas en la caja.

### Piezas sueltas



Perrilla (3)



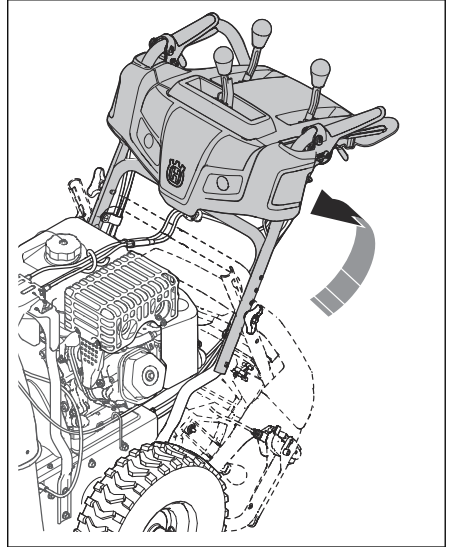
Conducto de expulsión (1)



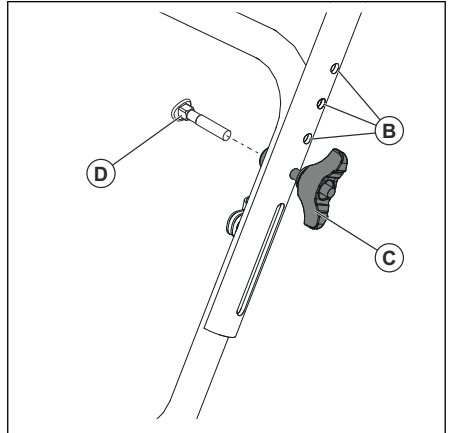
Llave(s) de encendido/apagado (ON/OFF)

## Para instalar la empuñadura

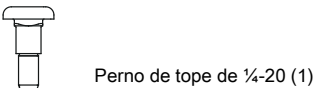
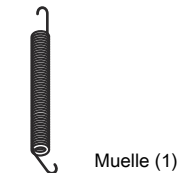
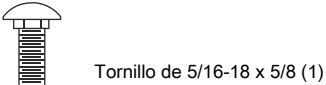
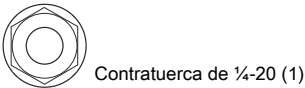
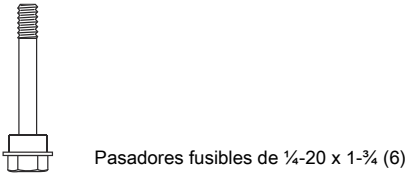
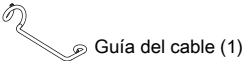
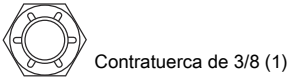
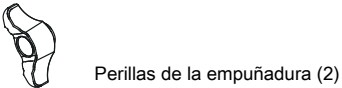
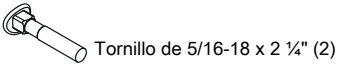
1. Levante la empuñadura superior hasta la posición de funcionamiento.

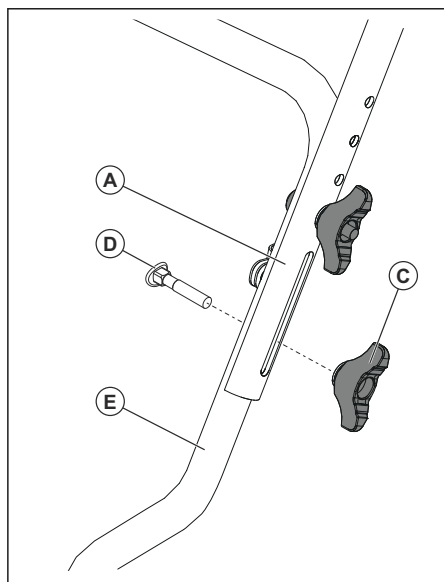


2. Ajuste la posición de la empuñadura en uno de los orificios de montaje (B) y apriete las perillas de la empuñadura (C) con los tornillos (D).



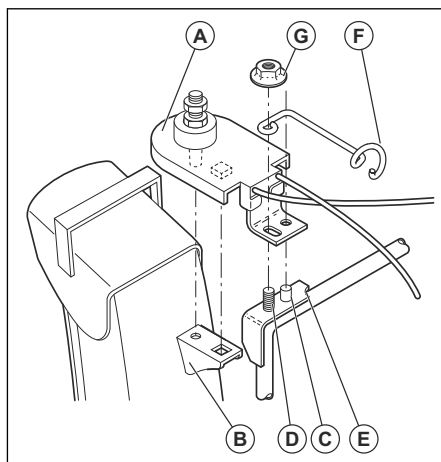
3. Instale más tornillos (D) y perillas de la empuñadura (C) para fijar la empuñadura superior (A) a la empuñadura inferior (E).



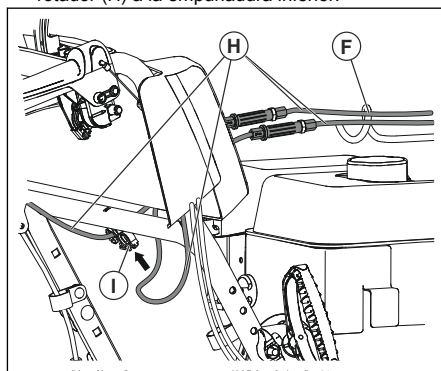


## Para instalar el deflector del conducto y el cabezal del rotador del conducto

1. Coloque el montaje del deflector del conducto en la parte superior de la base del conducto con la apertura de descarga orientada hacia la parte delantera del producto.
2. Coloque el cabezal del rotador del conducto (A) en el soporte del conducto (B). Gire el montaje del conducto para alinear los pasadores bajo el cabezal del rotador del conducto con los orificios en el soporte del conducto si es necesario.
3. Coloque el cabezal del rotador del conducto en el pasador (C) y el espárrago roscado (D) en el soporte de montaje (E).
4. Fije una contratuerca (G) en el espárrago roscado y apriétela.

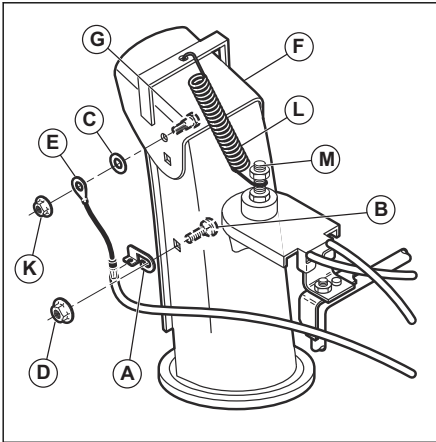


5. Coloque los cables a través de la guía del cable (F) y del sujetador doble (I) para fijar el cable del rotador (H) a la empuñadura inferior.

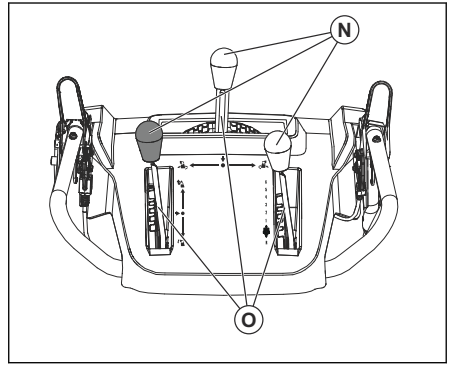


## Para instalar el control remoto del deflector del conducto

1. Fije el soporte del cable remoto (A) al conducto de expulsión con un tornillo (B) y una contratuerca de 5/16-18 (D). Apriete el perno.
2. Instale el ojal del cable remoto (E) en el deflector del conducto (F) con un perno de tope (G) y una arandela de nailon (C), y apriete con una contratuerca de 1/4-20 (K). El ojal del cable se aflojará en el perno de tope.
3. Instale el muelle (L) entre la tuerca hexagonal (M) en el cabezal del rotador del conducto y el orificio en el deflector del conducto.



- Coloque las perillas de control de la palanca (N) presionándolas contra las palancas de control (O).



## Funcionamiento

### Antes de arrancar el producto

- Mantenga a las personas y animales alejados de la zona de trabajo.
- Realice un mantenimiento diario. Consulte *Programa de mantenimiento en la página 37*.
- Asegúrese de que el cable de encendido se ajuste correctamente a la bujía.
- Agregue aceite o gasolina, si es necesario. Consulte *Datos técnicos en la página 47*.

### Para llenar el motor con aceite:



**AVISO:** No gire la varilla de nivel cuando revise el aceite. No llene por encima de la marca.

- Retire el tapón de aceite y limpie la varilla. Consulte *Descripción general de la máquina en la página 24* para ver la ubicación de la varilla de nivel.
- Llene con aceite hasta la marca superior de la varilla de nivel. Utilice la varilla de nivel para examinar el nivel de aceite en intervalos regulares.
- Vuelva a colocar el tapón del aceite.

### Para abastecer de combustible

Si es posible, utilice gasolina de bajas emisiones/alquilato. Si no dispone de gasolina de bajas emisiones/alquilato, utilice gasolina con o sin plomo de buena calidad. Utilice gasolina con un octanaje de 90 RON fuera de EE. UU. (87 AKI en EE. UU.) o más, y con un máximo de 10 % de etanol (E10).



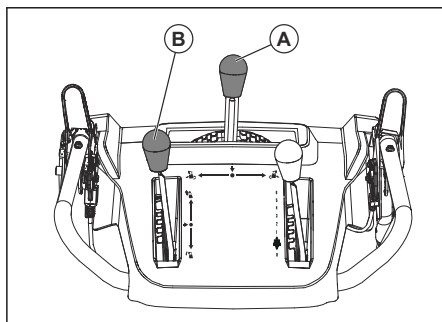
**AVISO:** No utilice gasolina con un octanaje inferior a 90 RON fuera de EE. UU. (87 AKI en de EE. UU.). Esto puede provocar daños al producto.

- Abra lentamente la tapa del depósito de combustible para liberar la presión.
- Llene lentamente con un bidón de combustible. Si derrama combustible, límpielo con un paño y deje que se sequen los restos.
- Limpie el área alrededor del tapón del depósito de combustible.
- Apriete bien la tapa del depósito de combustible. Si no aprieta la tapa del depósito de combustible, se genera un riesgo de incendio.
- Mueva el producto a un mínimo de 3 m (10 pies) de la posición en la que llenó el depósito antes de ponerlo en marcha.

### Para ajustar el conducto de expulsión y el deflector del conducto

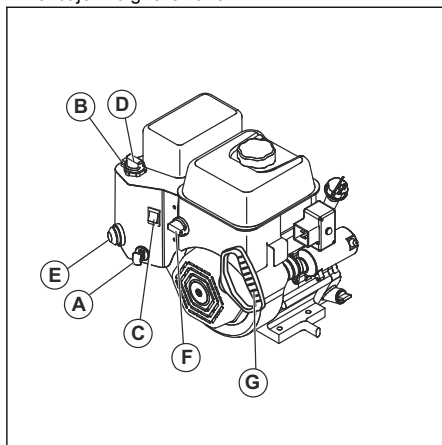
- Para ajustar la posición del conducto de expulsión, mueva la palanca de control del conducto de expulsión (A) hacia atrás y hacia la izquierda o derecha.
- Para ajustar la distancia del quitanieves del deflector del conducto, mueva la palanca de control remoto del deflector (B) hacia abajo para disminuir la distancia y hacia arriba para aumentarla.





## Para arrancar el motor con arranque manual

1. Introduzca la llave de encendido/apagado (ON/OFF) (A) en la ranura de encendido hasta que encaje. No gire la llave.



2. Coloque el interruptor de encendido/apagado (ON/OFF) de combustible en la posición ON (Encendido).
3. Mueva el acelerador (B) hasta la posición FAST (Rápido).
4. Mueva el interruptor de encendido/apagado (ON/OFF) (C) a la posición ON (Encendido).
  - a) Si el motor está frío, gire el estrangulador (D) hasta la posición FULL (Máximo) y presione el cebador (E) tres veces.



**AVISO:** No cebe en exceso el motor. Esto puede impedir que el motor arranque. Si el motor se ceba en exceso, espere unos minutos antes de intentar arrancarlo y no presione el cebador.

5. Tire la empuñadura del cordón de arranque (G).



**AVISO:** No suelte el agarre con rapidez. Vuelva a colocarla en la posición de arranque lentamente.

**Tenga en cuenta:** Si el arranque de cordón se congeló, tire lentamente hacia afuera la mayor cantidad de cordón posible y suelte la empuñadura del cordón de arranque. Si el motor no arranca, repita el procedimiento o utilice el arranque eléctrico.

6. Si se usó el estrangulador para arrancar el motor, mueva lentamente el estrangulador (D) a la posición OFF (Apagado).
7. Haga funcionar el motor entre 2 y 3 minutos en ralentí antes de comenzar a quitar la nieve.
8. Si el motor no funciona como debería, apáguelo.

## Para arrancar el motor con arranque eléctrico



**ADVERTENCIA:** El producto tiene un arranque eléctrico de 120 V CA. No utilice el arranque eléctrico si su hogar no cuenta con un sistema a tierra trifilar de 120 V CA. Pueden producirse daños personales graves o daños al producto. El arranque eléctrico consta de un enchufe trifilar y está diseñado para usarse con corriente de uso doméstico de 120 V CA. Asegúrese de que su hogar cuente con un sistema a tierra trifilar de 120 V CA. Si tiene dudas, consulte a un electricista autorizado.

1. Introduzca la llave de encendido/apagado (ON/OFF) (A) en la ranura de encendido hasta que encaje. No gire la llave.
2. Coloque el interruptor de encendido/apagado (ON/OFF) de combustible en la posición ON (Encendido).
3. Mueva el acelerador (B) hasta la posición FAST (Rápido).
4. Mueva el interruptor de encendido/apagado (ON/OFF) (C) a la posición ON (Encendido).
  - a) Si el motor está frío, gire el estrangulador (D) hasta la posición FULL (Máximo).
5. Presione el cebador (E) tres veces.



**AVISO:** No cebe en exceso el motor. Esto puede impedir que el motor arranque. Si el motor se ceba en exceso, espere unos minutos antes de intentar arrancarlo y no presione el cebador.

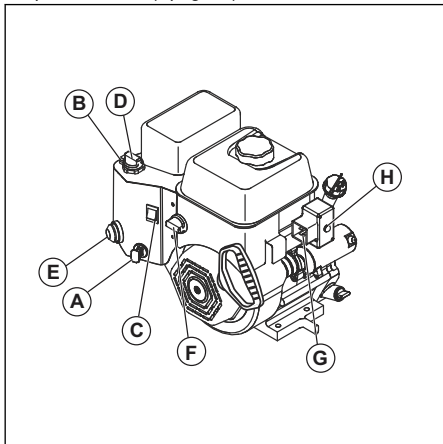
6. Conecte el cable de extensión al conector del motor (G).

7. Conecte el otro extremo del cable de extensión en un receptáculo de 120 V CA con conexión a tierra de tres clavijas.
8. Presione el botón de arranque eléctrico (H) hasta que el motor arranque.



**AVISO:** No haga girar el motor más de cinco segundos seguidos entre cada intento de arranque. Espere de 5 a 10 segundos entre cada intento.

9. Si se usó el estrangulador para arrancar el motor, suelte el botón de arranque eléctrico y mueva lentamente el estrangulador (D) a la posición OFF (Apagado).



10. Desconecte el cable de extensión primero del receptáculo y, después, del motor.
11. Haga funcionar el motor entre 2 y 3 minutos en ralentí antes de comenzar a quitar la nieve.

## Para hacer funcionar el producto



**AVISO:** No haga funcionar el equipo sin nieve o agua para lubricar las hojas del barreno. El uso incorrecto puede provocar altas temperaturas en las hojas del barreno, especialmente si el producto es nuevo. Esto puede causar daños en las hojas del barreno y la espada del raspador.



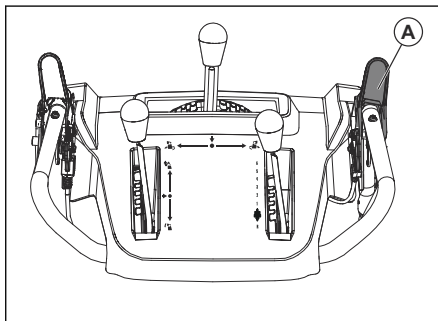
**AVISO:** No acople parcialmente la palanca de la transmisión o del barreno durante un período prolongado, ya que esto puede provocar un desgaste prematuro de las correas o que estas se quemen.

**Tenga en cuenta:** Cuando se conectan tanto el acoplamiento de la transmisión como el del barreno, el acoplamiento de la transmisión bloqueará el acoplamiento del barreno en su posición. Utilice la

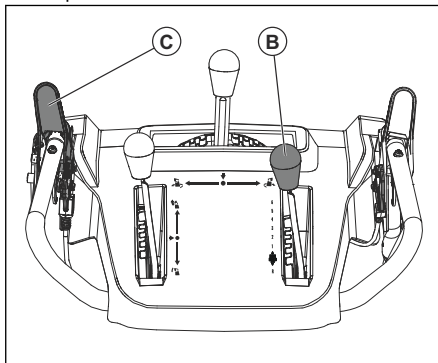
mano derecha para manipular el conducto de expulsión de nieve.

**Tenga en cuenta:** No cambie la velocidad cuando la palanca de la transmisión esté acoplada. Esto puede dañar la transmisión.

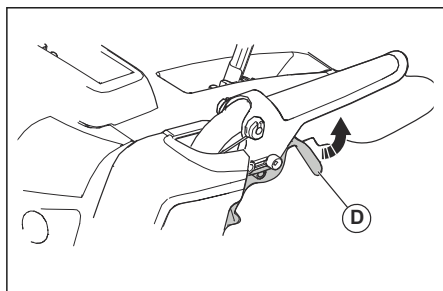
1. Para acoplar las hojas del barreno, presione el acoplamiento del barreno (A) contra la empuñadura para conectar el barreno y quitar nieve.



2. Levante la palanca de control de velocidad de la transmisión (B) desde la posición central para mover el producto hacia delante cuando esté conectado el acoplamiento de la transmisión (C). No cambie la velocidad cuando la palanca de la transmisión esté acoplada. Esto puede dañar la transmisión.
3. Baje la palanca de control de velocidad de la transmisión desde la posición central para mover el producto hacia atrás cuando esté conectado el acoplamiento de la transmisión.

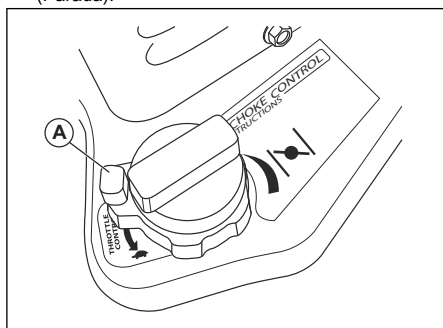


4. Para que el producto se mueva en la dirección seleccionada, sostenga el acoplamiento de la transmisión (C) contra la empuñadura.
5. Si el producto cuenta con dirección asistida, sostenga el gatillo de dirección izquierdo (D) para girar hacia la izquierda. Sujete el gatillo de dirección derecho para girar hacia la derecha.



## Para detener la máquina

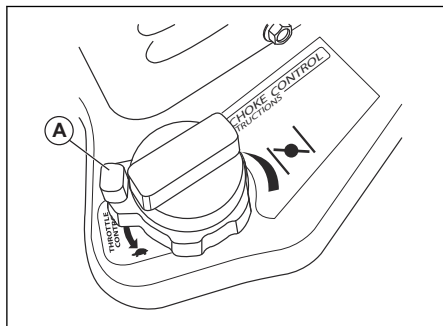
1. Mueva el acelerador (A) a la posición STOP (Parada).



2. Retire la llave de encendido/apagado (ON/OFF).

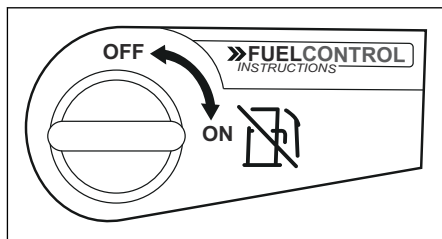
## Para utilizar el control del acelerador

- Gire el acelerador (A) para cambiar la cantidad de combustible utilizado. Siempre haga funcionar el motor en aceleración máxima.



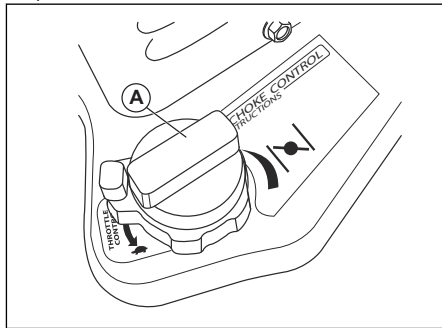
## Para utilizar el interruptor de combustible

- Gire el interruptor de combustible para abrir o cerrar el paso de combustible. Haga funcionar el producto con el interruptor de combustible en la posición OPEN (Abierto).



## Para utilizar el estrangulador

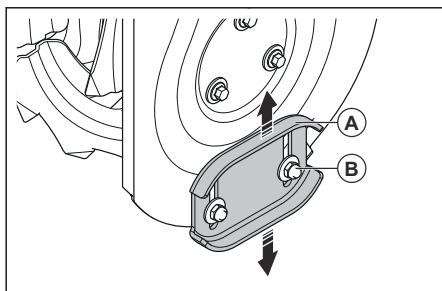
- Gire el estrangulador (A) para abrir o cerrar la válvula estranguladora. Use el estrangulador para arrancar el motor en frío.



## Para ajustar las planchas protectoras:

No es necesario realizar ajustes en el caso de una instalación normal.

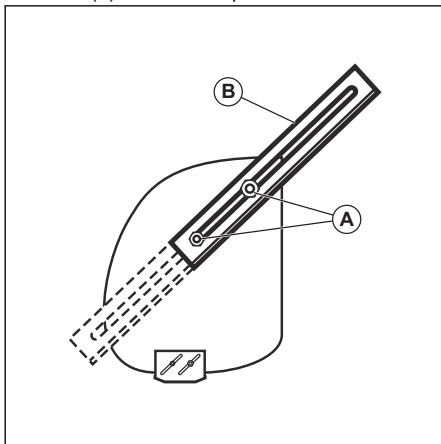
1. Si la contratuerca (B) está suelta o la plancha protectora (A) no está lo suficientemente alta desde el suelo, destrabe la contratuerca (B) con una llave abierta de 13 mm (0,51"), para mover la plancha protectora hacia arriba o hacia abajo.
2. En superficies planas, como caminos asfaltados, levante las planchas protectoras (A) entre 5 y 6 mm (0,2 y 0,25") desde el suelo. En superficies irregulares, como caminos de grava, aumente la separación entre el suelo y el producto con las planchas protectoras para subir la espada del raspador por encima de la superficie de la grava. Asegúrese de que no entren piedras o grava al producto. Se pueden producir daños personales si estos objetos salen eyectados a gran velocidad.
3. Apriete la contratuerca (B).



## Para utilizar las cortadoras de deriva (si están equipadas)

Utilice las cortadoras de deriva para cortar pasada la parte delantera del producto a través de los ventisqueros.

1. Afloje las tuercas de ajuste (A) en ambos lados del producto para permitir que cada cortadora de deriva (B) se suba a su posición más alta.



2. Apriete las tuercas.
3. Baje las cortadoras de deriva después de usarlas.

## Para evitar el congelamiento después de su uso

**Tenga en cuenta:** Los controles y las piezas móviles se pueden obstruir con el hielo. No aplique

demasiada fuerza a los controles. Si no puede manipular un control o una pieza, arranque el motor y déjelo funcionar durante unos minutos.

1. Arranque el motor y déjelo funcionar durante unos minutos. Detenga el motor y espere a que se detengan todas las piezas móviles.
2. Retire la nieve y el hielo suelto del producto.
3. Retire la nieve y el hielo suelto de la base del conducto.
4. Gire el deflector del conducto hacia la izquierda y hacia la derecha para quitar el hielo y el agua.
5. Coloque la llave en la posición de apagado (OFF).
6. Si el producto no tiene arranque eléctrico, tire la empuñadura del cordón de arranque varias veces para quitar el hielo y el agua.
7. Si el producto tiene arranque eléctrico, conecte el producto a la alimentación eléctrica y presione el botón de arranque una vez para quitar el hielo y el agua.

## Para conseguir un buen resultado

- Siempre haga funcionar el motor en aceleración máxima o cerca de la aceleración máxima.
- Adapte siempre la velocidad del producto a la situación de la nieve. Ajuste la velocidad con la palanca de ajuste del régimen de velocidad. Asegúrese de que el producto lance la nieve de manera uniforme.
- Es más fácil y eficiente retirar la nieve inmediatamente después de que cae.
- Siempre que sea posible, arroje la nieve en la dirección del viento.
- En superficies planas, como caminos asfaltados, levante las planchas protectoras entre 5 y 6 mm (0,2 y 0,25") desde el suelo.
- La espada del raspador es reversible. Cuando se desgasta casi hasta el borde de la carcasa, úsela por el otro lado. Reemplace la espada del raspador si está dañada o si ambos lados están desgastados.
- No despache el deflector del conducto si está obstruido.
- Si el producto no se mueve hacia delante debido a circunstancias imprevistas, suelte el acoplamiento de la transmisión inmediatamente o mueva la llave de encendido/apagado (ON/OFF) a la posición OFF (Apagado).

# Mantenimiento

## Introducción

Cuando el producto esté en uso, los pernos se pueden aflojar y los componentes se pueden desgastar. Esto puede causar alteraciones, como

una holgura de tolerancia incorrecta, mayor consumo de aceite o la alineación incorrecta de los diversos componentes. Realice un mantenimiento periódico al producto para evitar que funcione de manera incorrecta.

## Programa de mantenimiento

Mantenimiento	Diario	20 horas	50 horas	100 horas
Asegúrese de que las tuercas y los tornillos estén apretados	X			
Compruebe el nivel de aceite del motor	X			
Cambio del aceite <sup>4</sup>		X	X	X
Asegúrese de que no haya fugas de combustible o aceite	X			
Retire la suciedad u otros objetos extraños del barreno	X			
Revise la presión de los neumáticos <sup>5</sup>			X	
Inspeccione y cambie la bujía <sup>6</sup>				X

**Tenga en cuenta:** No es necesario agregar grasa o realizar otras tareas de mantenimiento en caja de cambios.

### Para hacer una inspección general

- Asegúrese de que las tuercas y los tornillos en el producto estén apretados.

### Para comprobar el nivel de aceite



**AVISO:** Un nivel de aceite demasiado bajo puede dañar el motor. Revise el nivel de aceite antes de utilizar el producto.

- Coloque el producto en un terreno plano.
- Retire el tapón del depósito de aceite junto con la varilla de nivel incluida.
- Limpie el aceite de la varilla de nivel.
- Vuelva a colocar la varilla de nivel completa en el depósito de aceite para tener una idea correcta del nivel de aceite.
- Quitó la varilla de nivel.
- Examine el nivel de aceite con la varilla de nivel.
- Si el nivel de aceite es bajo, llene con aceite de motor y revise nuevamente.

### Para cambiar el aceite del motor:

- Haga funcionar el motor durante unos minutos para entibiar el aceite. El aceite tibio fluye mejor y transporta menos contaminantes.



**ADVERTENCIA:** El aceite del motor está caliente. Evite que el aceite de motor usado entre en contacto con la piel.

- Coloque el producto en un terreno plano.
- Retire la llave de encendido/apagado (ON/OFF).
- Coloque un recipiente debajo del tapón de vaciado de aceite.
- Quite el tapón de vaciado de aceite, incline el producto y drene el aceite utilizado en el recipiente.
- Vuelva a poner el producto en la posición de funcionamiento.
- Coloque el tapón de vaciado de aceite y apriételo con la mano.
- Llene el motor con aceite; consulte *Para llenar el motor con aceite: en la página 32* para obtener más información.

### Para lubricar el producto

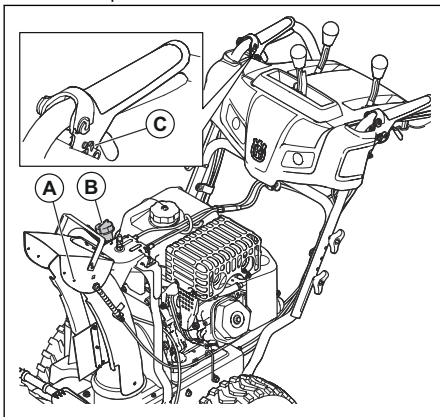
- Lubrique los puntos de pivote (A) con aceite.

<sup>4</sup> Cambie el aceite después de las primeras 20 h, 50 h y 100 h, y luego cada 100 h.

<sup>5</sup> Consulte Datos técnicos para conocer la presión correcta de los neumáticos.

<sup>6</sup> Revise y limpie la bujía antes de utilizarla cada año.

- Lubrique el motor (B) con aceite.
- Aplique una pequeña cantidad de grasa de litio a los cubos de interbloqueo (C) en el inicio de cada temporada o cada 25 horas de uso.



## Silenciador

El silenciador mantiene los niveles de ruido al mínimo y envía los gases de escape lejos del operador.

No utilice el producto si el silenciador no está instalado o está defectuoso. Un silenciador defectuoso aumenta el nivel de ruido y el riesgo de incendio.

Examine el silenciador con regularidad para asegurarse de que está instalado correctamente y que no esté dañado.



**AVISO:** El silenciador se calienta mucho durante y después del uso y cuando el motor funciona en régimen de ralentí. Tenga cuidado cerca de materiales o vapores inflamables para prevenir incendios.

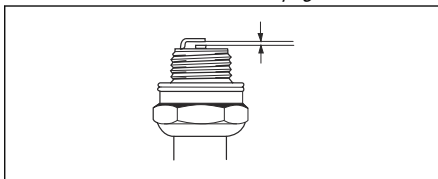
## Para examinar la bujía



**AVISO:** Utilice siempre el tipo de bujía recomendada. El tipo de bujía incorrecto puede causar daños en el producto.

- Examine la bujía si el motor tiene una potencia demasiado baja, no arranca fácilmente o no funciona correctamente al régimen de ralentí.
- Para disminuir el riesgo de material no deseado en los electrodos de la bujía, siga estas instrucciones:
  - a) Asegúrese de que el régimen de ralentí esté ajustado correctamente.
  - b) Asegúrese de que la mezcla de combustible es la correcta.
  - c) Asegúrese de que el filtro de aire esté limpio.

- Si la bujía está sucia, límpiela y asegúrese de que la distancia entre los electrodos es correcto, consulte *Datos técnicos en la página 47*.



- Reemplace la bujía si es necesario.

## Para inspeccionar los barrenos y la espada del raspador:

1. Antes de cada uso, inspeccione los barrenos y la espada del raspador para ver si muestras signos de desgaste.
2. Si el borde de la espada del raspador está desgastado, úsela por el otro lado. Si la espada del raspador tiene daños o desgaste en ambos bordes, reemplácela.
3. Si los bordes de los barrenos están desgastados, comuníquese con un centro de servicio autorizado para reemplazarlos.

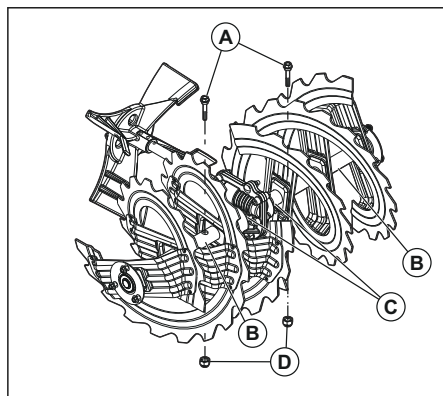
## Para reemplazar los pasadores fusibles del barreno

Los pasadores fusibles protegen el producto de daños. Los pasadores fusibles del barreno se rompen si un objeto entra en contacto con las piezas móviles.



**AVISO:** Utilice únicamente los pasadores fusibles originales que se suministran con el producto.

1. Si un pasador fusible del barreno se rompe, detenga el motor y espere a que las piezas móviles se detengan.
2. Retire la llave de encendido/apagado (ON/OFF) y desconecte el cable de la bujía.
3. Alinee el orificio del cubo del barreno (B) con el orificio del eje del barreno (C) e instale un nuevo pasador fusible de ¼-20 x 2 (A).
4. Instale una contratuerca de ¼-20 (D) en el pasador fusible y apriétela.



5. Coloque la llave de encendido/apagado (ON/OFF) en el encendido y conecte el cable de la bujía a la bujía.

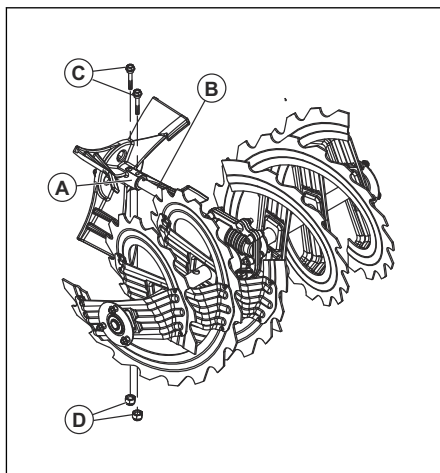
## Para reemplazar los pasadores fusibles del propulsor

Los pasadores fusibles del propulsor protegen el producto de daños. Los pasadores fusibles del propulsor se rompen si un objeto entra en contacto con las piezas móviles.



**AVISO:** Utilice únicamente los pasadores fusibles originales que se suministran con el producto.

1. Si un pasador fusible del propulsor se rompe, detenga el motor y espere a que las piezas móviles se detengan.
2. Retire la llave de encendido/apagado (ON/OFF) y desconecte el cable de la bujía.
3. Alinee el orificio del cubo del propulsor (A) con los orificios del eje del barreno (B) e instale un nuevo pasador fusible de ¼-20 (C).
4. Instale una contratuerca de ¼-20 (D) en el pasador fusible y apriétela.



5. Coloque la llave de encendido/apagado (ON/OFF) en el encendido y conecte el cable de la bujía a la bujía.

## Para examinar los neumáticos

- Mantenga los neumáticos libres de combustible, aceite y productos químicos para evitar dañar el caucho.
- Mantenga los neumáticos alejados de tocones, piedras, baches, objetos filosos y otros objetos que puedan dañarlos.
- Mantenga la presión de los neumáticos correcta; consulte *Datos técnicos en la página 47* para obtener más información.

## Para eliminar obstrucciones del deflector del conducto:

No elimine la obstrucción del deflector del conducto sin haber realizado las siguientes operaciones:

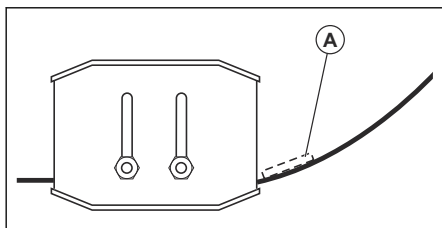
1. Libere el acoplamiento del barreno y de la transmisión al mismo tiempo.
2. Espere 10 segundos para asegurarse de que los barrenos se detuvieron.
3. Detenga la máquina.
4. Utilice la herramienta de limpieza (de al menos 381 mm [15"] de longitud, que se incluye en algunos modelos) para eliminar la obstrucción.



**ADVERTENCIA:** No ponga las manos en el deflector del conducto o en el interior de la carcasa del barreno.

## Para reemplazar la espada del raspador

1. Coloque la espada del raspador (A) invertida cuando se haya desgastado hasta el borde de la carcasa.



2. Reemplace la espada del raspador si está desgastada en ambos lados o si está dañada.

## Correas de transmisión



**ADVERTENCIA:** Las correas trapezoidales del producto son de fabricación especial y deben cambiarse por correas del fabricante del equipo original (OEM, por su sigla en inglés) disponibles en su centro de servicio más cercano. Usar correas no fabricadas por el OEM puede conllevar a daños personales o daños al producto.



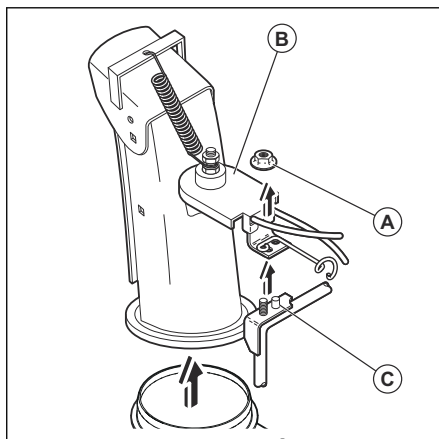
**ADVERTENCIA:** Para reemplazar las correas, es necesario desmontar el producto. Al desmontar la carcasa del barreno del bastidor, es importante que un ayudante se ubique en la posición de manipulación del producto y sostenga las empuñaduras. Pueden producirse daños personales graves o daños al producto si este se cae durante el reemplazo de las correas.

**Tenga en cuenta:** Las correas de transmisión de la tracción y del barreno no son ajustables. Reemplace las correas si están dañadas o si empiezan a deslizarse debido al desgaste. Se recomienda reemplazar las correas en un centro de servicio calificado.

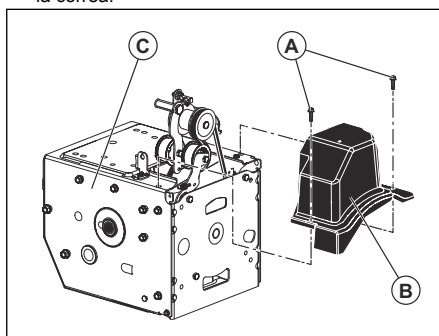
**Tenga en cuenta:** Se recomienda reemplazar la correa de transmisión y la correa del barreno a la vez.

### Para preparar el reemplazo de las correas

1. Vacíe el combustible del depósito de combustible.
2. Afloje la contratuerca (A) que fija el cabezal del rotador del conducto (B) al soporte de montaje (C) para retirar el conducto de expulsión.

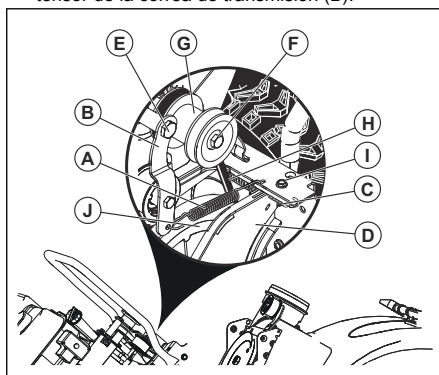


3. Afloje los dos tornillos (A) que fijan la cubierta de la correa (B) al bastidor (C) y retire la cubierta de la correa.



### Para retirar la correa de transmisión

1. Retire la correa del barreno. Consulte *Para quitar la correa del barreno en la página 41*.
2. Retire el muelle tensor (A) fijado al brazo del tensor de la correa de transmisión (B).



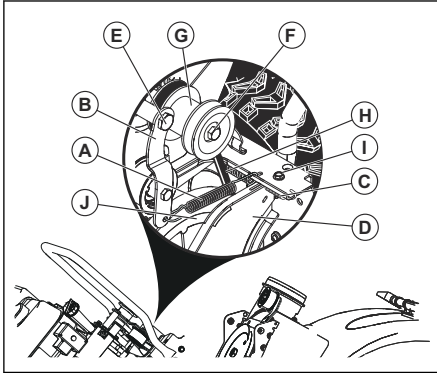
3. Retire el muelle de retorno (C) que sujeta la placa oscilante (D) en su sitio.



4. Retire el perno del brazo (E) y el brazo del tensor de la correa de transmisión.
5. Retire el perno de la polea (F), la polea del motor (G) y la correa de transmisión (H) del motor.
6. Retire el perno superior (I) que sujeta la placa oscilante al bastidor.
7. Gire y mantenga la placa oscilante alejada del producto y retire la correa de transmisión de la polea de transmisión (J).

### Para instalar la correa de transmisión

1. Gire y mantenga la placa oscilante (D) alejada del producto.



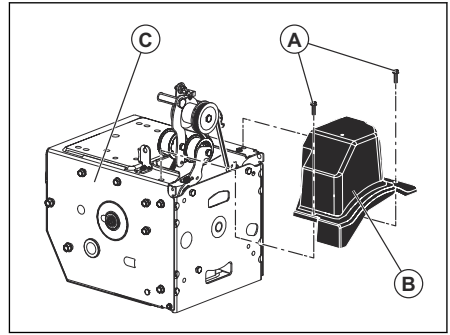
2. Coloque la correa de transmisión (H) en la polea de transmisión (J).

**Tenga en cuenta:** Asegúrese de que la correa de transmisión se coloque correctamente en la ranura de la polea de transmisión antes de bajar la placa oscilante.

3. Instale y apriete el perno superior (I).
4. Coloque la correa de transmisión en la ranura de la polea del motor (G) antes de instalarla en el eje del motor.
5. Instale el perno de la polea (F) y fije la polea del motor en el motor. Apriete el perno de la polea (30-35 pies libras / 41-47 Nm).
6. Instale el brazo del tensor de la correa de transmisión (B) y apriete el perno del brazo (E) en el motor.
7. Instale el muelle de retorno (C) en la placa oscilante.
8. Instale el muelle tensor (A) en el brazo del tensor.
9. Haga funcionar todos los controles para asegurarse de que la correa de transmisión esté correctamente instalada y de que todos los componentes se muevan correctamente.

### Para instalar la cubierta de la correa

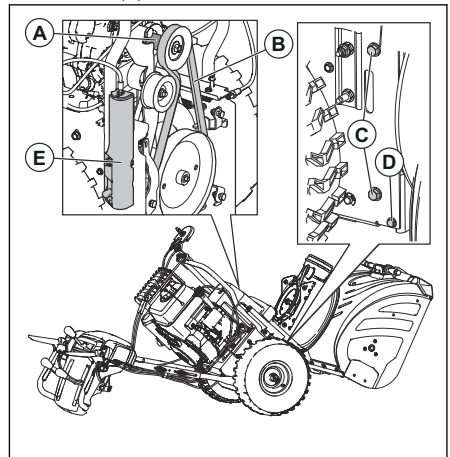
1. Instale la cubierta de la correa (B) en el bastidor (C) y apriete los dos tornillos (A).



2. Instale el conducto de expulsión.

### Para quitar la correa del barreno

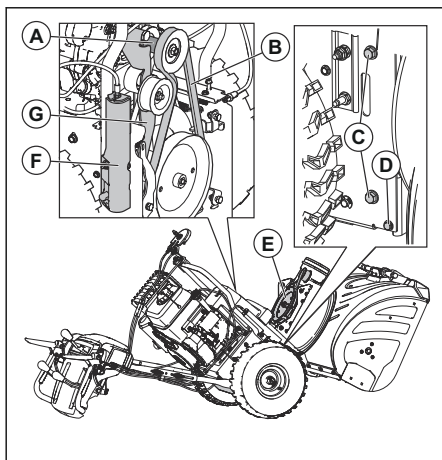
1. Retire la tuerca de 5/16" la tuerca y la cubierta del cable (E) del bastidor.



2. Quite los pernos superiores de 5/16" y baje los pernos de 1/4" (D) de los dos lados del bastidor. No bote los pernos.
3. Afloje, sin retirar, los pernos inferiores de 5/16" (C) de los dos lados del bastidor.
4. Retire la correa del barreno (B) de la polea del motor (A).
5. Incline la sección trasera hacia abajo. La sección delantera se inclinará hacia delante al mismo tiempo. El perno inferior es una bisagra entre las secciones delantera y trasera.
6. Coloque un bloque de madera debajo del punto de bisagra para mantener el producto inclinado.
7. Mueva el brazo de freno del barreno y retire la correa del barreno (B) de alrededor del brazo.

### Para instalar la correa del barreno

1. Mueva el brazo de freno del barreno (G) y coloque la correa del barreno alrededor del brazo y en la ranura de la polea del barreno (E).

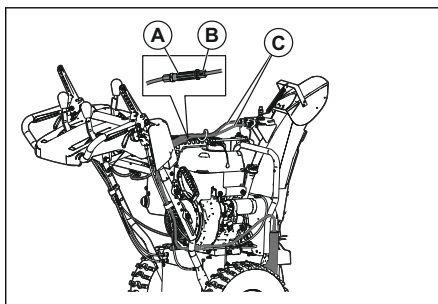


**AVISO:** Asegúrese de que la correa no quede atrapada entre el bastidor y la carcasa del barreno cuando junte la unidad.

2. Retire el bloque de madera de abajo del producto.
3. Levante las empuñaduras para inclinar la sección trasera hacia arriba. La sección delantera se inclinará hacia atrás y girará para unirse a la sección trasera.
4. Asegúrese de colocar correctamente la correa en la ranura de la polea del barreno (E).
5. Instale los pernos de 5/16" (C) y apriételos (11-16 Nm).
6. Instale los pernos de 1/4" (D) y apriételos (5-8 Nm).
7. Instale la correa del barreno (B) en la polea del motor (A). Asegúrese de que la correa se coloque correctamente alrededor de la polea tensora e instale adecuadamente en la ranura de la polea del motor.
8. Instale la cubierta del cable (F) y la tuerca de 5/16" en el bastidor.
9. Haga funcionar todos los controles para asegurarse de que la correa del barreno esté correctamente instalada y de que todos los componentes se muevan correctamente.

## Para ajustar la tensión del cable del deflector del conducto de expulsión

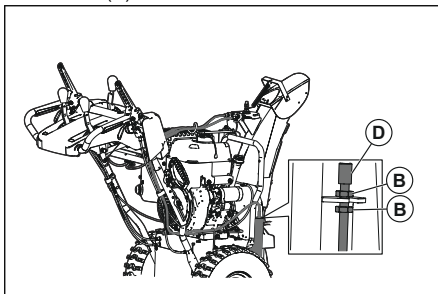
1. Afloje las tuercas de inmovilización (B) para ajustar la tensión del cable del conducto de expulsión adyacente al torniquete del ajustador (A).



2. Sostenga la parte corta y gire la parte larga para aumentar el ajustador.
3. Ajuste hasta que el cable del deflector del conducto de expulsión (C) quede bien apretado. Apriete las tuercas de inmovilización.

## Para ajustar el cable de control del barreno

1. Retire la cubierta del cable del lado derecho del bastidor (D).

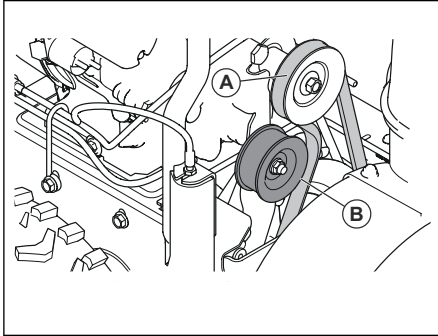


2. Para eliminar la holgura del cable de control del barreno, desatornille la tuerca de inmovilización inferior (B) y apriete la tuerca de inmovilización superior (B) hasta que aumente la tensión de la correa del barreno.
3. Vuelva a probar el acoplamiento del barreno. Repita el ajuste según sea necesario hasta que la holgura del cable sea poca cuando la palanca esté desacoplada.
4. Apriete la tuerca de inmovilización inferior para bloquear la tensión.

**Tenga en cuenta:** También puede tensar la correa del barreno ajustando la polea tensora como segunda opción. Si el ajuste no resuelve el problema, cambie la correa del barreno. Consulte *Para quitar la correa del barreno en la página 41*.

## Para comprobar la tensión de la correa

1. Retire la cubierta de la correa. Consulte *Para preparar el reemplazo de las correas en la página 40*.
2. Afloje la tuerca de la polea tensora (A).



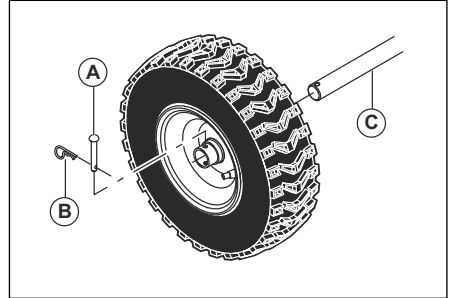
3. Acerque la polea tensora a la correa deslizándola para aumentar la tensión de la correa. Aléjela de la correa para disminuir la tensión de la correa.
4. Apriete la tuerca de la polea tensora (A).
5. Para asegurarse de que la correa esté totalmente desembragada cuando la palanca del barreno esté desacoplada, pídale a un ayudante que se pare a 3 metros (10 pies) delante del producto, en el lado opuesto del conducto. El ayudante debe observar la rotación del barreno y medir el tiempo que tarda en dejar de girar después de que se suelta la palanca. Si el

barreno deja de girar pasados 5 segundos, repita el ajuste y aleje la polea tensora de la correa aún más deslizándola.

6. Cuando el barreno deje de girar antes de los 5 segundos, instale la cubierta de la correa. Consulte *Para preparar el reemplazo de las correas en la página 40*.

## Para quitar las ruedas

1. Extraiga el pasador de la rueda (A) y el pasador de retención (B).
2. Quite la rueda del eje (C).



## Para limpiar el producto

- Limpie las piezas de plástico con un paño limpio y seco.
- No use limpiadores de alta presión para limpiar el producto.
- No arroje agua directamente sobre el motor.
- Utilice un cepillo para retirar las hojas, el césped y la suciedad.

## Solución de problemas

### Solución de problemas

Problema	Causa posible	Solución
El producto no arranca	La llave de encendido de seguridad no se encuentra inserta.	Inserte la llave de encendido de seguridad.
	El producto no tiene combustible.	Llene el depósito de combustible con gasolina nueva y limpia.
	La llave de encendido/apagado (ON/OFF) está en la posición OFF (Apagado).	Mueva la llave de encendido/apagado (ON/OFF) a la posición ON (Encendido).
	El estrangulador se encuentra en la posición OFF (CLOSE) (Apagado [Cerrado]).	Mueva el estrangulador a la posición ON (FULL, OPEN) (Encendido [Máximo, Abierto]).
	El cebador no se encuentra presionado.	Presione el cebador.
	El motor está inundado.	Espere unos minutos antes de volver a arrancar, NO presione el cebador.  Vuelva a arrancar el motor con la aceleración máxima y el estrangulador en la posición OFF (CLOSE) (Apagado [Cerrado]).
	El cable de la bujía no está conectado.	Conecte el cable a la bujía.
	La bujía está defectuosa.	Reemplace la bujía.
	Hay agua en el combustible o el combustible es demasiado antiguo.	Vacíe el depósito de combustible y el carburador. Llene el depósito de combustible con gasolina nueva y limpia.
	Hay vapor en la tubería de combustible.	Asegúrese de que toda la tubería de combustible esté por debajo de la salida del depósito de combustible. La tubería de combustible debe fluir de forma continua hacia abajo desde el depósito de combustible hasta el carburador.
	Otras causas.	Inspeccione con cuidado los procedimientos de arranque de este manual.
	El interruptor de combustible (si está equipado) está en la posición CLOSE (Cerrado) (OFF [Apagado]).	Coloque el interruptor de combustible en la posición OPEN (ON) (Abierto [Encendido]).
El acelerador está en la posición STOP (Detención).	Mueva el acelerador hasta la posición FAST (Rápido).	

<b>Problema</b>	<b>Causa posible</b>	<b>Solución</b>
Potencia reducida	El cable de la bujía no está conectado.	Conecte el cable a la bujía.
	El producto lanza demasiada nieve.	Disminuya la velocidad y el ancho de la hilera.
	La tapa del depósito de combustible está cubierta de hielo o nieve.	Retire el hielo y la nieve del tapón del depósito de combustible y alrededor de él.
	El silenciador está sucio u obstruido.	Limpie o reemplace el silenciador.
	Longitud incorrecta del cable.	Ajuste el cable.
	El silenciador está obstruido.	Asegúrese de que el motor esté frío. Limpie la obstrucción.
	La toma de aire del carburador está obstruida.	Asegúrese de que el motor esté frío. Limpie la obstrucción.
El motor funciona en ralentí o de forma irregular	El estrangulador está en la posición ON (FULL, OPEN) (Encendido [Máximo, Abierto]).	Ponga el estrangulador en la posición de OFF (CLOSE) (Apagado [Cerrado]).
	La tubería de combustible está obstruida.	Limpie la tubería de combustible.
	Hay agua en el combustible o el combustible es demasiado antiguo.	Vacíe el depósito de combustible y el carburador. Llene el depósito de combustible con gasolina nueva y limpia.
	Se debe reemplazar el carburador.	Comuníquese con un centro de servicio autorizado.
	La correa se encuentra estirada.	Reemplace la correa en V del barreno.
Movimiento del manillar o vibración excesiva	Algunas piezas están sueltas. Los barrenos están dañados.	Apriete todas las sujeciones. Reemplace todas las piezas dañadas. Si la vibración persiste, comuníquese con un centro de servicio autorizado.
	Los manillares no están colocados de manera correcta.	Asegúrese de que los manillares estén trabados en su posición.
	Las tuercas de la palanca de ajuste están sueltas.	Apriete las tuercas hasta que el manillar se sienta firme.
Cuesta extraer la empuñadura del cordón de arranque	La empuñadura del cordón de arranque está congelada.	Tire lentamente hacia afuera la mayor cantidad de cordón posible del mecanismo de arranque y suelte la empuñadura del cordón de arranque. Si el motor no arranca, repita el procedimiento o utilice el mecanismo de arranque eléctrico.
	El cordón de arranque interfiere en los componentes.	El cordón de arranque no debe tocar cables ni mangueras.

Problema	Causa posible	Solución
Pérdida de tracción o ralentización de la velocidad de transmisión.	La correa patina.	Ajuste el cable. Ajuste la correa.
	La correa está desgastada.	Revise o reemplace la correa. Ajuste la polea.
Pérdida o ralentización de la descarga de nieve.	La correa se salió de la polea.	Revise o vuelva a instalar la correa. Ajuste la polea.
	El deflector del conducto está obstruido.	Limpie el deflector del conducto.
	Objetos extraños obstruyen los barrenos.	Retire la suciedad o los objetos extraños de los barrenos.
	El pasador fusible está roto.	Reemplace el pasador fusible roto.
	Exceso de hielo y nieve acumulados entre los componentes de la vía.	Retire el hielo y nieve acumulados entre los componentes de la vía.
	La rueda motriz de fricción está desgastada.	Comuníquese con un centro de servicio autorizado.
	El disco de fricción está mojado	Deje secar el disco de fricción
	Falla en la rotación del barreno después de soltar la empuñadura.	La correa de transmisión no está alineada.
El deflector de descarga no está alineado.		Ajuste el deflector de descarga.
Las luces no están encendidas (si están equipadas)	El motor no está en marcha.	Arranque el motor.
	La conexión de los cables está suelta.	Compruebe las conexiones de los cables del motor y las luces.
	El LED está quemado.	Reemplace el módulo de luz LED. Los LED individuales no se pueden reemplazar.
Es difícil mover el rotador del conducto	Hay suciedad en el mecanismo del rotador del conducto.	Limpie las piezas internas del mecanismo del rotador del conducto.
	Los cables están torcidos o dañados.	Asegúrese de que los cables no estén torcidos. Reemplace los cables dañados.
El producto se gira hacia un lado.	La presión de los neumáticos no es igual.	Ajuste la presión de los neumáticos y llene los neumáticos.
	El producto se mueve con una sola rueda.	Inspeccione el pasador de bloqueo de los neumáticos.
	Ajuste del trineo irregular.	Ajuste las planchas protectoras y el trineo.
	Planchas protectoras con ajuste no uniforme.	Ajuste las planchas protectoras y el trineo.

## Transporte, almacenamiento y eliminación de residuos

### Transporte y almacenamiento

- Para el almacenamiento y el transporte del producto y del combustible, asegúrese de que no haya fugas o vapores. Las chispas o llamas, por

ejemplo, de dispositivos eléctricos o calderas, pueden iniciar un incendio.

- Siempre use contenedores aprobados para el almacenamiento y el transporte del combustible.
- Vacíe el depósito de combustible antes de almacenar el producto durante un largo tiempo.

Deseche el combustible en un sitio adecuado para tal propósito.

- Asegure bien el producto durante el transporte para evitar daños y accidentes.
- Mantenga el producto en un área cerrada para evitar que los niños u otras personas sin autorización puedan acceder a él.
- Mantenga el producto en un lugar seco y sin escarcha.

## Eliminación

- Obedezca las regulaciones vigentes y requisitos de reciclaje locales.
- Deseche todos los productos químicos, como el combustible o el aceite del motor, en un centro de servicio o en un sitio adecuado para tal propósito.
- Si no va a utilizar más el producto, deséchelo en un sitio de reciclaje.

## Datos técnicos

### Datos técnicos

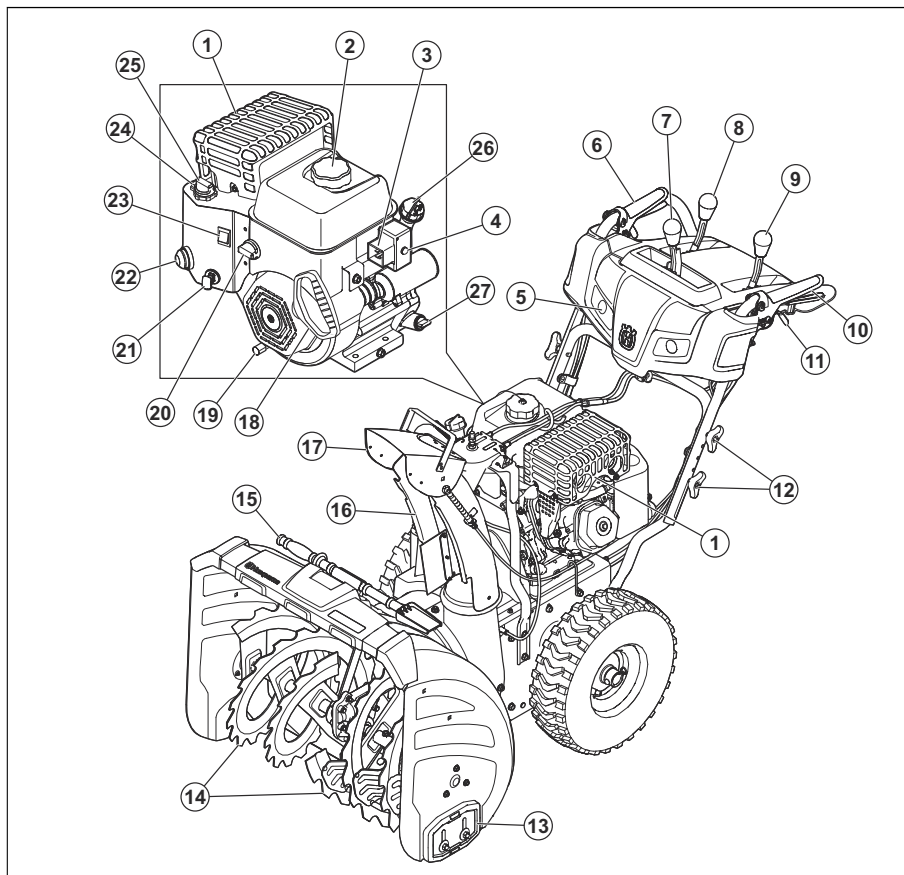
	ST 324	ST 327	ST 330
<b>Dimensiones</b>			
Peso con tanques vacíos, kg	108	115	121
Presión de funcionamiento máxima de los neumáticos, PSI	18	18	20
<b>Motor</b>			
Marca	LCT	LCT	LCT
Cilindrada, cc	254	291	369
Tipo de combustible	Regular sin plomo (con un máximo de un 10 % de etanol)		
Capacidad de combustible, litros/galones	1,33/0,35	2,35/0,62	2,35/0,62
Tipo de aceite (API SJ-SN)	SAE 5W30 (inferior a 0 °C [32 °F])		
Capacidad de aceite, litros/onzas	0,59/20	0,95/32	1,12/38
<b>Sistema eléctrico</b>			
Bujía	F6RTC o F7RTC		
Distancia entre los electrodos de la bujía (mm/pulg)	0,762/0,030		

## Table des matières

Introduction.....	48	Entretien.....	60
Sécurité.....	50	Dépannage.....	68
Montage.....	53	Transport, entreposage et mise au rebut.....	70
Fonctionnement.....	56	Données techniques.....	71

## Introduction

### Présentation de la machine



- |   |  |
|---|--|
| 1. Silencieux                                   | 8. Levier de commande de vitesse de l'entraînement |
| 2. Bouchon de remplissage d'essence             | 9. Levier de commande à distance de déflecteur     |
| 3. Connexion, démarrage électrique              | 10. Engagement de l'entraînement                   |
| 4. Bouton de démarrage électrique               | 11. Leviers de direction                           |
| 5. Témoin                                       | 12. Bouton de poignée                              |
| 6. Engagement de tarière                        | 13. Plaque de protection                           |
| 7. Levier de commande de la goulotte d'éjection |  |



14. Tarière
15. Outil de nettoyage
16. Goulotte d'éjection
17. Déflecteur de goulotte
18. Corde du lanceur
19. Vidange d'huile
20. Commutateur de carburant
21. Clé ON/OFF (marche/arrêt)
22. Poire d'amorçage
23. Interrupteur de marche/arrêt
24. Commande d'accélérateur
25. Volet de départ
26. Remplissage d'huile (tous les modèles). Jauge (ST 324)
27. Jauge (ST 327, ST 330)

## Description de la machine

Le produit est une souffleuse à neige sur roues pour déblayer la neige du sol.

## Utilisation prévue

Cet appareil peut être utilisé pour retirer la neige des champs, des routes, des allées et des trottoirs. Ne pas l'utiliser sur les pentes supérieures à 20°. Ne pas utiliser ce produit dans des zones où il y a beaucoup de débris, de saleté et de pierres qui dépassent.

## Symboles figurant sur la machine

**Remarque :** Si les autocollants sur le produit sont endommagés, communiquer avec le concessionnaire pour les remplacer.



Avertissement.



Lire le manuel de l'opérateur.



Moteur en marche.



Arrêt du moteur.



Rapide.



Lent.



Volet de départ.



Amorceur.



Carburant.



Huile.



Marche avant.



Marche arrière.



Protecteurs d'oreilles recommandés.



Ne pas retirer le bouclier lorsque le moteur tourne.



Déconnecter le câble de la bougie avant de commencer l'entretien.



Mise en marche/arrêt de l'entraînement de la traction.



Éjection de neige désactivé/activé.



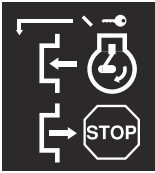
Faire attention à la projection d'objets; éloigner toute personne à distance.



Avertissement, garder les mains à l'écart.



Avertissement, garder les pieds à l'écart.



Clé de contact. Insérer pour démarrer et manœuvrer la machine, tirer pour l'arrêter.

serons pas tenus responsables des dommages que notre produit causerait dans les situations suivantes :

- Le produit n'est pas réparé de façon adéquate.
- Le produit est réparé avec des pièces qui ne sont pas fournies ou homologuées par le fabricant.
- Le produit comprend un accessoire qui n'est pas fourni ou homologué par le fabricant.
- Le produit n'est pas réparé par un centre de service après-vente agréé ou par une autorité homologuée.

## Responsabilité concernant le produit

Comme indiqué dans les lois en vigueur sur la responsabilité concernant les produits, nous ne

## Sécurité

### Définitions relatives à la sécurité

Les définitions ci-dessous indiquent le niveau de gravité pour chaque mot signal.



**AVERTISSEMENT** : Blessures aux personnes.



**MISE EN GARDE** : Dommages causés à l'outil.

**Remarque** : Cette information facilite l'utilisation de l'outil.

### Consignes générales de sécurité

- Utiliser l'outil correctement. Des blessures graves ou mortelles peuvent résulter d'une utilisation non adéquate. Utiliser l'outil seulement pour les tâches décrites dans le présent manuel. Ne pas utiliser cet outil pour d'autres tâches.
- Suivre les instructions de ce manuel. Respecter les symboles et les instructions de sécurité. Si l'opérateur ne respecte pas les instructions et les symboles, il pourrait en résulter des blessures, des dommages ou la mort.
- Ne pas jeter ce manuel. Utiliser les instructions pour assembler l'outil, le faire fonctionner et le conserver en bon état. Suivre les instructions pour l'installation correcte des équipements et accessoires. Utiliser uniquement des pièces et accessoires homologués.
- Ne pas utiliser l'outil s'il est endommagé. Respecter le calendrier d'entretien. N'effectuer que les travaux d'entretien prescrits dans ce manuel. Un centre agréé doit effectuer tous les autres travaux d'entretien.
- Ce manuel ne décrit pas toutes les situations qui peuvent se produire lorsqu'on utilise l'outil.

Rester prudent et faire preuve de bon sens. Ne pas faire fonctionner l'outil ni effectuer un entretien sur l'outil si vous n'êtes pas sûr de la situation. Pour obtenir plus d'information, s'adresser à un spécialiste de l'outil, à votre revendeur, à un atelier de réparation ou à un centre de service après-vente agréé.

- Débrancher le câble d'allumage avant d'installer, de stocker ou de procéder à l'entretien de l'outil.
- Ne pas utiliser l'outil si des modifications contraires à ses caractéristiques initiales y ont été apportées. Ne pas modifier une partie de l'outil sans l'approbation du fabricant. Utiliser seulement des pièces homologuées par le fabricant. Des blessures graves ou mortelles peuvent résulter d'un entretien non adéquat.
- Ne pas respirer les vapeurs du moteur. L'inhalation à long terme des produits d'échappement du moteur représente un danger pour la santé.
- Ne pas démarrer l'outil dans un local clos ou à proximité de matériaux inflammables. Les gaz d'échappement sont très chauds et peuvent contenir des étincelles qui peuvent causer un incendie. Un débit d'air insuffisant peut entraîner des blessures ou la mort en raison d'une asphyxie ou du monoxyde de carbone.
- Lors de l'utilisation de ce produit, le moteur génère un champ électromagnétique. Le champ électromagnétique peut endommager les implants médicaux. Parler à votre médecin et au fabricant de l'implant avant d'utiliser l'outil.
- Ne pas laisser un enfant utiliser l'outil. Ne pas laisser une personne utiliser le produit sans connaître les instructions.
- S'assurer de toujours surveiller les personnes avec des capacités physiques ou mentales réduites qui utilisent le produit. Un adulte responsable doit être présent à tout moment.
- Enfermer le produit dans un endroit verrouillé auquel les enfants et les personnes non autorisées ne peuvent pas accéder.

- Le produit peut projeter des objets et causer des blessures. Respecter les consignes de sécurité afin de réduire le risque de blessures graves ou mortelles.
- Ne pas s'éloigner de l'outil lorsque le moteur est sous tension.
- Tout accident avec cet outil engage la responsabilité de l'opérateur.
- Avant de reculer, regarder derrière et vers le bas pour vérifier la présence éventuelle de petits enfants, d'animaux ou autres risques de chute.
- Avant d'utiliser l'outil, vérifier que les pièces ne sont pas endommagées.
- S'assurer d'être à au moins 15 m (50 pi) d'autres personnes ou d'animaux avant d'utiliser le produit. S'assurer que toutes les personnes dans les environs immédiats sont informées que vous allez utiliser le produit.
- Consulter les lois nationales ou locales. Elles peuvent interdire ou limiter l'utilisation de l'outil dans certaines conditions.
- Ne jamais faire fonctionner la machine sans ses grilles, plaques et autres dispositifs de protection en place et en bon état de fonctionnement.
- Ne jamais diriger le déflecteur de goulotte vers des personnes ou vers des endroits où les éventuelles projections pourraient causer des dégâts. Tenir les enfants et autres personnes à l'écart.
- Ne pas dépasser la capacité du produit en tentant de retirer la neige trop rapidement.
- Ne pas utiliser le produit à des vitesses trop élevées sur des surfaces glissantes. Lorsqu'on recule, regarder derrière soi et se déplacer lentement.
- Désengager l'alimentation des tarières lorsque le produit est en cours de transport quand il n'est pas en cours d'utilisation.
- Utiliser les appareils et accessoires approuvés par le fabricant du produit (tels que les poids de roue, contrepoids ou cabine).
- Ne jamais utiliser le produit sans une bonne visibilité ou lumière. Garder les pieds toujours bien daplomb sur le sol et tenir la poignée avec fermeté. Toujours marcher; ne jamais courir.
- Ne jamais toucher le moteur ou le silencieux quand il est chaud.

## Consignes de sécurité pour l'utilisation

- Ne pas placer les mains ou les pieds près ou sous les pièces en rotation. Toujours se tenir à l'écart de l'ouverture d'éjection.
- Faire preuve d'extrême prudence à proximité des routes, des allées ou des chemins en gravier. Faire attention aux dangers non évidents et à la circulation.
- Après avoir heurté un objet étranger, arrêter le moteur, enlever le câble de la bougie d'allumage (ou débrancher le fil des appareils électriques), bien inspecter le produit pour vérifier qu'il n'y a pas de dommage et réparer la défaillance avant de redémarrer et d'utiliser le produit.
- Si le produit se met à vibrer anormalement, arrêter le moteur et en rechercher immédiatement la cause. Les vibrations indiquent généralement l'existence de problèmes.
- Arrêter le moteur à chaque fois qu'on quitte la zone de travail, avant de débloquer la tarière ou le déflecteur de goulotte, et lorsqu'on effectue un réglage, une réparation ou une inspection de la machine.
- Lorsqu'on veut nettoyer, réparer ou inspecter le produit, arrêter le moteur et vérifier que les tarières et toutes les pièces en mouvement s'arrêtent. Débrancher le fil de la bougie et tenir le fil à l'écart de la bougie pour éviter tout démarrage accidentel.
- Ne pas mettre le moteur en marche à l'intérieur, sauf lors du démarrage du moteur et le transport du produit dans ou hors de l'immeuble. Ouvrir les portes; les gaz d'échappement du moteur sont dangereux.
- Faire preuve d'extrême prudence lorsqu'on travaille dans les pentes.

## Sécurité de l'aire de travail

- Inspecter minutieusement l'endroit où l'équipement doit être utilisé et retirer tout paillasson, traîneau, planche, fil ou autre objet.
- Désengager tous les embrayages et mettre au point mort avant de démarrer le moteur.
- Ne pas faire fonctionner le produit l'hiver sans porter des vêtements adéquats. Éviter les vêtements amples pouvant se prendre dans les pièces en mouvement. Le port de chaussures adéquates améliorera la stabilité sur des surfaces glissantes.
- Manipuler l'essence avec précaution, car elle est hautement inflammable.
  - Utiliser des récipients de carburant approuvés.
  - Ne jamais faire l'appoint en essence lorsque le moteur est en marche ou chaud.
  - Remplir le réservoir de carburant à l'extérieur avec une extrême prudence. Ne jamais faire l'appoint en essence à l'intérieur
  - Ne jamais remplir des contenants de carburant à l'intérieur d'un véhicule ou sur la plateforme d'un camion ou d'une remorque avec une garniture en plastique. Toujours placer les contenants sur le sol loin d'un véhicule avant le remplissage.
  - Autant que possible, retirer tout équipement à essence du camion ou de la remorque et faire le remplissage sur le sol. Quand cela n'est pas possible, faire le remplissage de tels équipements sur une remorque à l'aide d'un bidon portable plutôt qu'à l'aide d'un pistolet distributeur d'essence.

- Garder le pistolet distributeur en contact avec le bord du réservoir de carburant ou de l'ouverture du bidon à tout moment jusqu'à obtention du plein. Ne pas utiliser de dispositif à ouverture bloquée du pistolet distributeur.
- Remettre le bouchon de carburant solidement en place et nettoyer le carburant déversé.
- En cas de déversement de carburant sur les vêtements, changer immédiatement de vêtement.
- Utiliser rallonges et réceptacles conformes à celles spécifiées par le fabricant pour tous les appareils à moteur électrique ou à démarrage électrique.
- Régler la hauteur du carter de tarière afin d'éviter le gravier et les pierres en surface.
- Ne jamais essayer de faire des réglages pendant que le moteur est en marche (sauf là où spécifié par recommandation du fabricant).
- Toujours porter des lunettes ou un masque de protection pour les yeux pendant l'utilisation de la machine ou lorsqu'on effectue un réglage ou une réparation, de sorte à protéger les yeux en cas de projection de corps étrangers.

## Équipement de protection personnelle

Toujours s'équiper d'un équipement de protection personnelle approprié lors de l'utilisation de l'outil. Cela comprend, à tout le moins, des souliers résistants, des lunettes de sécurité et un protecteur auriculaire. Cet équipement de protection personnelle n'élimine pas les risques de blessures, mais peut réduire la gravité en cas d'accident.

- Toujours porter des lunettes de sécurité ou tout autre dispositif de protection des yeux lors de l'utilisation de l'outil ou des opérations d'entretien ou de réparations.
- Toujours porter des vêtements hiver approprié lorsqu'on fait fonctionner le produit.
- Utiliser toujours des bottes antidérapantes robustes qui offrent un bon support aux chevilles lors de l'utilisation du produit.
- Ne pas porter de vêtements amples pouvant se prendre dans les pièces en mouvement.
- Utiliser des gants de protection homologués, au besoin. Par exemple, lors de la fixation, de l'examen ou du nettoyage de la lame.
- Toujours utiliser un dispositif de protection homologué pour les oreilles lorsqu'on utilise la machine. Le fait d'entendre du bruit pendant une longue période peut engendrer une perte auditive.

## Dispositifs de sécurité sur l'outil

- Faire régulièrement l'entretien sur le produit.
  - Cette précaution augmente la durée de vie utile du produit.
  - Cette précaution réduit le risque d'accident.

Communiquer régulièrement avec un concessionnaire agréé ou à un centre de service après-vente agréé d'examiner le produit pour effectuer les réglages et les réparations.

- Ne pas utiliser un produit avec un équipement de protection endommagé. Si l'outil est endommagé, communiquer avec un centre de service après-vente agréé.

## Silencieux

Le silencieux maintient le niveau de bruit au minimum et dirige les gaz d'échappement loin de l'utilisateur.

Ne pas utiliser l'outil si le silencieux est manquant ou défectueux. Un silencieux défectueux augmente le niveau sonore et le risque d'incendie.

Examiner régulièrement le silencieux pour s'assurer qu'il est correctement raccordé et en bon état.



**MISE EN GARDE :** Le silencieux devient très chaud pendant et après utilisation et lorsque le moteur tourne au ralenti. Faire attention à proximité des matériaux inflammables ou des fumées afin d'éviter tout risque d'incendie.

## Sécurité – carburant



**AVERTISSEMENT :** Lire les messages d'avertissement qui suivent avant d'utiliser l'outil.

- Ne pas démarrer l'outil s'il y a du carburant ou de l'huile moteur sur l'outil. Nettoyer le carburant ou l'huile et laisser sécher l'outil.
- Si du carburant se déverse sur les vêtements, changer immédiatement de vêtement.
- Ne pas déverser du carburant sur le corps; cela pourrait causer des blessures. Si du carburant se déverse sur le corps, se nettoyer au savon doux et à l'eau.
- Ne pas démarrer l'outil si le moteur présente une fuite. Vérifier régulièrement le moteur à la recherche de fuites.
- Faire preuve de prudence lors de la manipulation du carburant. Celui-ci est inflammable et ses vapeurs sont explosives et peuvent causer des blessures ou la mort.
- Ne pas respirer les vapeurs de carburant, car elles peuvent causer des blessures. Vérifier que la ventilation est suffisante.
- Ne pas fumer à proximité du carburant ou du moteur.
- Ne pas placer des objets chauds à proximité du carburant ou du moteur.
- Ne pas faire le plein de carburant lorsque le moteur tourne.
- Vérifier que le moteur est froid avant de faire le plein.

- Avant de faire le plein, ouvrir lentement le couvercle du réservoir de carburant et relâcher la pression avec précaution.
- Ne pas faire le plein dans une pièce fermée. Un débit d'air insuffisant peut entraîner des blessures ou la mort en raison d'une asphyxie ou du monoxyde de carbone.
- Serrer fermement le couvercle du réservoir de carburant. Si le couvercle du réservoir de carburant n'est pas bien serré, il y a un risque d'incendie.
- Avant de démarrer l'outil, le déplacer à au moins 3 m (10 pi) de la position où le plein de carburant a été fait.
- Ne pas mettre trop de carburant dans le réservoir de carburant.

## Proposition 65



### ATTENTION!

Les émissions du moteur de cet outil contiennent des produits chimiques qui, d'après l'État de Californie, peuvent causer le cancer, des malformations congénitales ou autre danger pour la reproduction.

## Consignes de sécurité pour la maintenance



**AVERTISSEMENT :** Lire les messages d'avertissement qui suivent avant d'utiliser l'outil.

- Les gaz d'échappement du moteur contiennent du monoxyde de carbone, un gaz inodore, toxique et très dangereux. Ne pas démarrer le moteur à l'intérieur ou dans des espaces fermés.
- Avant d'effectuer un entretien sur le produit, arrêter le moteur et retirer le câble d'allumage de la bougie.
- Utiliser des gants de protection lors des opérations d'entretien sur le produit. Les lames sont affûtées et des coupures peuvent se produire facilement.
- Les accessoires et les modifications apportées au produit qui ne sont pas approuvés par le fabricant peuvent causer des blessures graves, voire mortelles. Ne pas modifier l'outil. Toujours utiliser des accessoires homologués par le fabricant.
- Si l'entretien n'est pas effectué correctement et régulièrement, le risque de blessures et de dommages sur l'outil augmente.
- N'effectuer que les travaux d'entretien indiqués dans ce manuel d'utilisation. Tous les autres travaux d'entretien doivent être effectués par un agent d'entretien agréé.
- Demander à un agent d'entretien agréé d'effectuer régulièrement l'entretien de l'outil.
- Remplacer les pièces endommagées, usées ou brisées.

## Montage

### Retrait du produit du carton

1. Retirer toutes les pièces desserrées incluses avec l'outil. Couper les quatre coins du carton et placer les panneaux d'extrémité à plat.
2. Retirer les deux vis qui fixent le carter de la tarière à la palette. Retirer les supports en acier des plaques de protection, le cas échéant.
3. Retirer tous les matériaux d'emballage.
4. Retirer le produit du carton et s'assurer qu'aucune pièce libre n'est laissée dans le carton.

### Pièces libres



Bouton papillon de réglage (3)



Couvercle de goulotte d'éjection (1)



Clé ON/OFF (marche/arrêt)



Boulons de carrosserie 5/16-18 x 2 1/4 po (2)



Boutons de poignée (2)



Contre-écrou 3/8 (1)



Guide de câble (1)



Goupilles de tonte 1/4-20 x 1-3/4 (6)



Contre-écrous 1/4-20 (6)



Contre-écrou 5/16-18 (1)



Contre-écrou 1/4-20 (1)



Rondelle en nylon (1)



Boulon de carrosserie 5/16-18 x 5/8 (1)



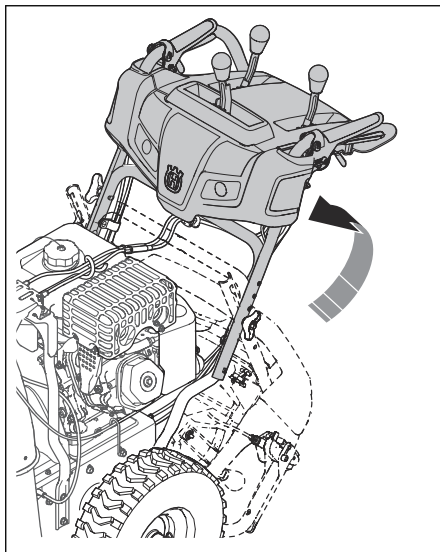
Ressort (1)



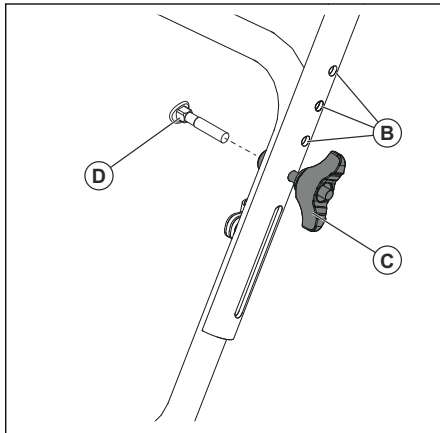
Boulon à épaulement 1/4-20 (1)

## Installation de la poignée

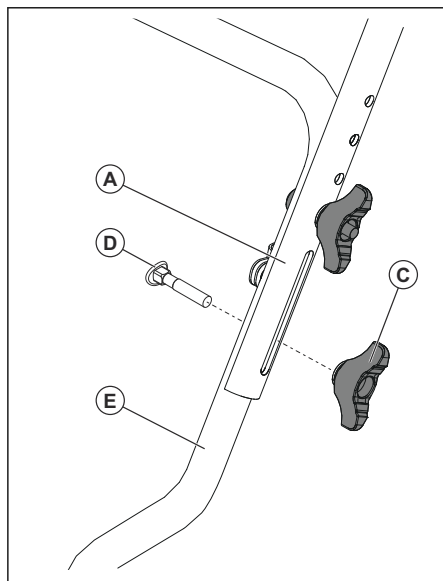
1. Déplacer la poignée supérieure à la position d'utilisation.



2. Régler la position de la poignée à l'un des trous de montage (B) et serrer les boutons de poignées (C) avec les boulons de carrosserie (D).

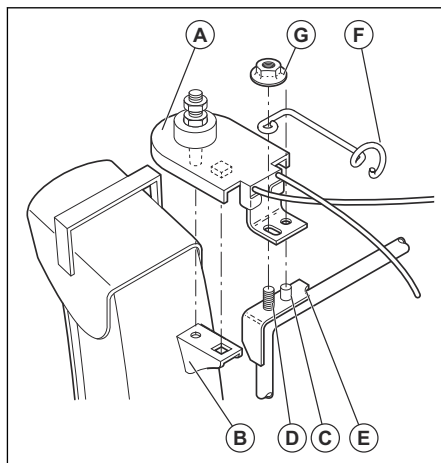


3. Installer les boulons de carrosserie (D) et les boutons de poignée (C) pour fixer la poignée supérieure (A) sur la poignée inférieure (E).

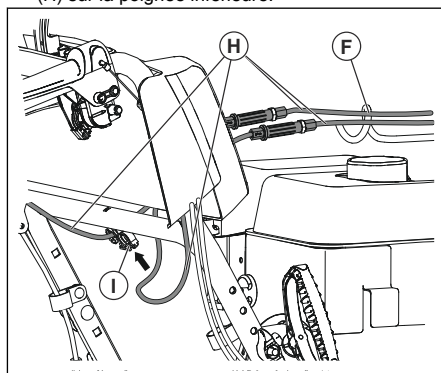


## Installation du déflecteur de goutte et de la tête du rotateur de goutte

1. Placer le déflecteur de goutte au haut de la base de la goutte avec l'ouverture d'évacuation vers l'avant du produit.
2. Placer la tête du rotateur de goutte (A) sur le support de la goutte (B). Tourner l'assemblage de la goutte pour aligner les goupilles sous la tête du rotateur de goutte avec les trous du support de goutte, si nécessaire.
3. Placer la tête du rotateur de la goutte sur la goupille (C) et le goujon fileté (D) du support de montage (E).
4. Fixer un contre-écrou (G) sur le goujon fileté et serrer.

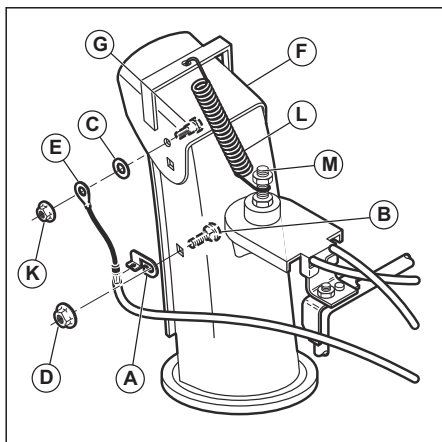


5. Insérer les câbles dans le guide de câbles (F) et le collier double (I) pour fixer le câble du rotateur (H) sur la poignée inférieure.

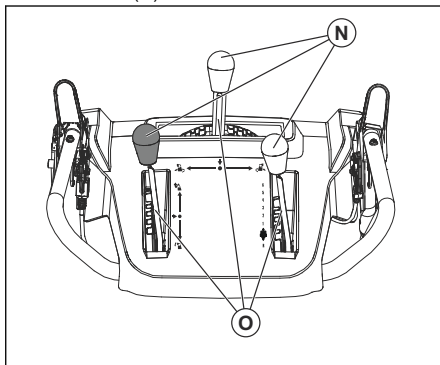


## Installation de la télécommande du déflecteur de goutte

1. Fixer la console du câble (A) sur la goutte d'éjection au moyen d'un boulon de carrosserie (B) et d'un contre-écrou 5/16-18 (D). Serrer le boulon.
2. Installer l'œillet du câble de télécommande (E) sur le déflecteur de goutte (F) avec un boulon à épaulement (G) et une rondelle en nylon (C), puis serrer-le tout au moyen d'un contre-écrou ¼-20 (K). L'œillet du câble ne sera pas serré sur le boulon à épaulement.
3. Fixer le ressort (L) entre l'écrou hexagonal (M) de la tête du rotateur de la goutte et le trou du déflecteur de goutte.



- Fixer les boutons du levier de commande (N) en les poussant vers le bas dans les leviers de commande (O).



## Fonctionnement

### Avant de démarrer le produit

- Tenir les personnes et les animaux à l'écart de la zone de travail.
- Effectuer l'entretien quotidien. Voir *Calendrier d'entretien à la page 61*.
- S'assurer que le câble d'allumage se loge correctement sur la bougie.
- Ajouter de l'huile ou de l'essence, au besoin. Voir *Données techniques à la page 71*.

### Remplissage du moteur avec de l'huile



**MISE EN GARDE :** Ne pas tourner la jauge d'huile lorsqu'on vérifie l'huile. Ne pas remplir au-dessus du repère.

- Retirer le bouchon d'huile et nettoyer la jauge d'huile. Voir *Présentation de la machine à la page 48* pour l'emplacement de la jauge.
- Remplir d'huile jusqu'à la marque supérieure de la jauge d'huile. Utiliser la jauge pour vérifier le niveau d'huile périodiquement.
- Remettre le bouchon du réservoir d'huile en place.

### Faire le plein

Si disponible, utiliser de l'essence à faibles émissions ou un alkylat. Si une essence à faibles émissions ou un alkylat n'est pas disponible, utiliser de l'essence sans plomb ou de l'essence au plomb de bonne qualité. Utiliser de l'essence avec un indice d'octane de 90 RON hors de l'Amérique du Nord (87 AKI en Amérique du Nord) ou plus élevé, et avec un maximum de 10 % d'éthanol (E10).



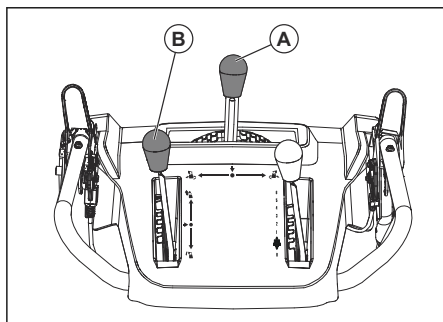
**MISE EN GARDE :** Ne pas utiliser d'essence avec un indice d'octane inférieur à 90 RON hors de l'Amérique du Nord (87 AKI en Amérique du Nord). Cela pourrait endommager le produit.

- Ouvrir le bouchon du réservoir de carburant lentement pour libérer la pression.
- Remplir le réservoir lentement avec un bidon de carburant. En cas de déversement de carburant, le nettoyer avec un chiffon et laisser le reste du carburant sécher.
- Nettoyer la zone autour du bouchon du réservoir de carburant.
- Serrer fermement le couvercle du réservoir de carburant. Si le couvercle du réservoir de carburant n'est pas bien serré, il y a un risque d'incendie.
- Avant de démarrer l'outil, le déplacer à au moins 3 m (10 pi) de la position où le plein de carburant a été fait.

### Réglage de la goulotte d'éjection et du déflecteur de goulotte

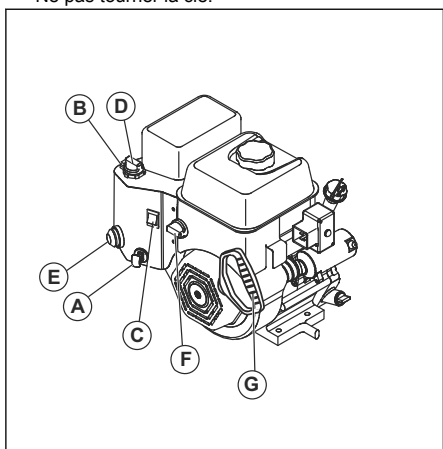
- Pour régler la position de la goulotte d'éjection, déplacer le levier de commande de la goulotte d'éjection (A) vers l'arrière, vers la gauche ou vers la droite.
- Pour régler la distance de la fraise à neige du déflecteur de goulotte, déplacer le levier de télécommande du déflecteur (B) vers le bas pour diminuer la distance ou vers le haut pour augmenter la distance.





## Démarrage du moteur (manuel)

1. Insérer la clé ON/OFF (marche/arrêt) (A) dans la fente d'allumage jusqu'à ce qu'elle s'enclenche. Ne pas tourner la clé.



2. Placer l'interrupteur de marche/arrêt du carburant (F) à la position ON (marche).
3. Déplacer la commande d'accélération (B) à la position FAST (rapide).
4. Mettre l'interrupteur de marche/arrêt (C) à la position ON (marche).
  - a) Si le moteur est froid, tourner le volet de départ (D) à la position FULL (plein) et appuyer sur la pompe d'amorçage (E) trois fois.



**MISE EN GARDE :** Ne pas trop amorcer le moteur. Cela peut nuire au démarrage du moteur. Si le moteur est suramorcé, attendre quelques minutes avant de tenter le démarrage et ne pas amorcer le moteur par la suite.

5. Tirer la poignée à corde du lanceur (G).



**MISE EN GARDE :** Ne pas relâcher la prise trop rapidement. La ramener délicatement à la position de départ.

**Remarque :** Si la poignée du lanceur gèle, tirer doucement sur la corde du lanceur et relâcher la poignée du lanceur. Si le moteur ne démarre pas, répéter la procédure ou utiliser le démarreur électrique.

6. Si la commande de starter a été utilisée pour démarrer le moteur, déplacer lentement le volet de départ (D) à la position OFF (arrêt).
7. Faire tourner le moteur 2 à 3 minutes au ralenti avant de commencer à projeter la neige.
8. Si le moteur ne démarre pas comme il se doit, l'éteindre.

## Démarrage du moteur (électrique)



**AVERTISSEMENT :** Le produit est doté d'un 120 V démarreur électrique c.a. Ne pas utiliser le démarreur électrique si votre maison n'est pas équipée d'un 120 V système de mise à la terre à trois broches c.a. Des blessures graves ou des dommages au produit pourraient survenir. Le démarreur électrique est équipé d'une prise d'alimentation à trois broches et est conçu pour un 120 V courant domestique c.a. Assurez-vous que votre maison dispose d'un 120 V système de mise à la terre à trois broches c.a. En cas de doute, consulter un électricien agréé.

1. Insérer la clé ON/OFF (marche/arrêt) (A) dans la fente d'allumage jusqu'à ce qu'elle s'enclenche. Ne pas tourner la clé.
2. Placer l'interrupteur de marche/arrêt du carburant (F) à la position ON (marche).
3. Déplacer la commande d'accélération (B) à la position FAST (rapide).
4. Mettre l'interrupteur de marche/arrêt (C) à la position ON (marche).
  - a) Si le moteur est froid, tourner le volet de départ (D) à la position FULL (plein).
5. Appuyer sur l'amorce (3) trois fois.



**MISE EN GARDE :** Ne pas trop amorcer le moteur. Cela peut nuire au démarrage du moteur. Si le moteur est suramorcé, attendre quelques minutes avant de tenter le démarrage et ne pas amorcer le moteur par la suite.

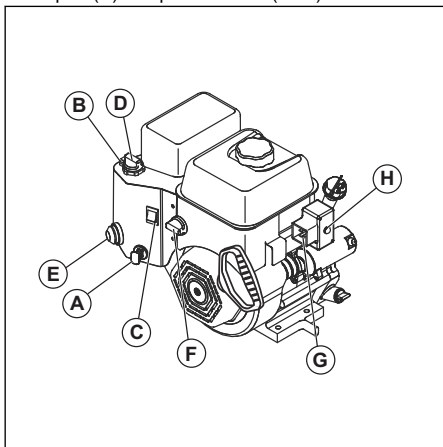
6. Brancher la rallonge dans le connecteur du moteur (G).

- Brancher l'autre extrémité de la rallonge sur la 120 V prise d'alimentation à trois trous c.a. dotée d'une mise à la terre.
- Appuyer sur le bouton de démarrage électrique (H) jusqu'à ce que le moteur démarre.



**MISE EN GARDE :** Ne pas tenter de démarrer le moteur pendant plus de cinq secondes continues entre chaque tentative de démarrage. Attendre 5 à 10 secondes entre chaque tentative.

- Si le volet de départ a été utilisé pour démarrer le moteur, relâcher le bouton de démarrage électrique et déplacer lentement le volet de départ (D) à la position OFF (arrêt).



- Débrancher la rallonge, tout d'abord à la prise, puis au moteur.
- Faire tourner le moteur 2 à 3 minutes au ralenti avant de commencer à projeter la neige.

## Utilisation de la machine



**MISE EN GARDE :** Ne pas faire fonctionner la machine sans neige ou sans eau pour lubrifier les lames de la tarière. Une mauvaise utilisation peut mener à une température élevée des lames de la tarière, surtout si le produit est neuf. Cela peut endommager les lames de la tarière et la barre de racleur.



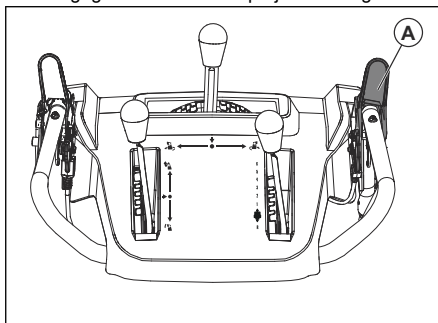
**MISE EN GARDE :** Ne pas engager partiellement les leviers d'entraînement ou de la tarière pendant une durée prolongée, car cela risque d'entraîner une usure prématurée des courroies.

**Remarque :** Lorsque l'engagement de l'entraînement et l'engagement de la tarière sont actionnés, l'engagement de l'entraînement verrouille la tarière

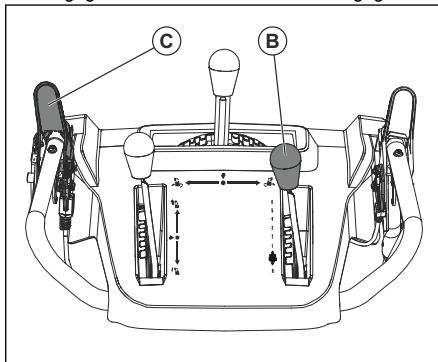
en place. Utiliser la main droite pour manœuvrer la goulotte d'éjection à neige.

**Remarque :** Ne pas modifier la vitesse lorsque le levier de transmission est engagé. Cela pourrait endommager la transmission.

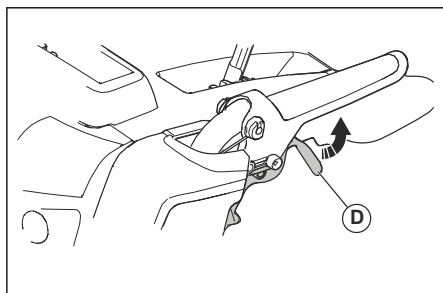
- Pour engager les lames de la tarière, pousser sur la poignée d'engagement de la tarière afin d'engager la tarière et de projeter la neige.



- Relever le levier de commande de vitesse d'entraînement (B) de la position centrale afin que le produit puisse se déplacer vers l'avant lorsque l'engagement de l'entraînement (C) est engagé. Ne pas modifier la vitesse lorsque le levier de transmission est engagé. Cela pourrait endommager la transmission.
- Abaisser le levier de commande de vitesse d'entraînement de la position centrale afin que le produit puisse se déplacer vers l'arrière lorsque l'engagement de l'entraînement est engagé.

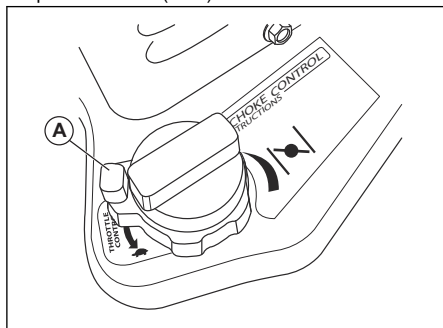


- Pour que le produit se déplace dans la direction sélectionnée, maintenir l'engagement de l'entraînement (C) contre la poignée.
- Si le produit est équipé d'une direction assistée, maintenir le levier de direction gauche (D) pour tourner à gauche. Maintenir le levier de direction droit pour tourner à droite.



## Arrêt du produit

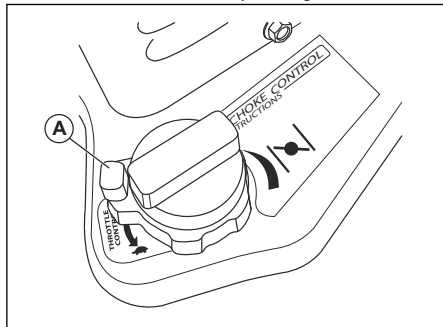
1. Déplacer la commande d'accélérateur (A) à la position STOP (arrêt).



2. Retirer la clé ON/OFF (marche/arrêt).

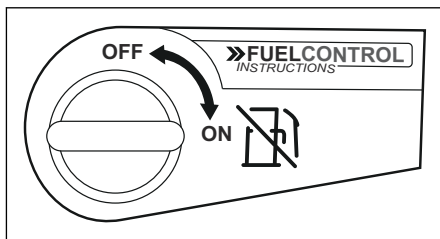
## Utilisation de la commande d'accélérateur

- Tourner la commande d'accélération (A) pour modifier la quantité de carburant utilisé. Toujours faire tourner le moteur à plein régime.



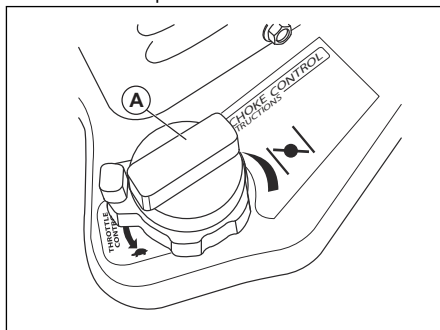
## Utilisation du commutateur de carburant

- Tourner le commutateur de carburant ou fermer le robinet de carburant. Utiliser le produit lorsque le commutateur de carburant se trouve à la position OPEN (ouvert).



## Utilisation de la commande du volet de départ

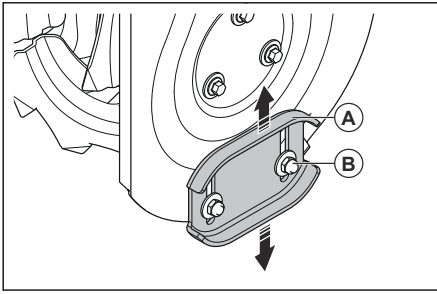
- Tourner la commande du volet de départ (A) afin d'ouvrir ou de fermer la soupape du volet de départ. Utiliser le volet de départ pour démarrer le moteur lorsqu'il est froid.



## Réglage des plaques de protection

Aucun réglage n'est requis pour l'installation normale.

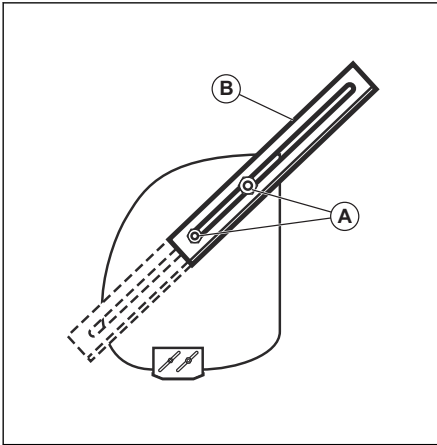
1. Si le contre-écrou (B) est lâche ou la plaque de protection (A) n'est pas suffisamment élevée du sol, déverrouiller le contre-écrou (B) à l'aide d'une clé de 13 mm à extrémité ouverte afin de déplacer la plaque de protection vers le haut ou vers le bas.
2. Sur les surfaces planes, comme les routes asphaltées, relever la barre de protection (A) de 5 à 6 mm (de 0,2 à 0,25 po) à partir du sol. Sur les surfaces inégales, comme le gravier, s'assurer que l'espacement entre le sol et le produit est plus grand au moyen des plaques de protection afin que la barre du racleur se trouve au-dessus du gravier. Assurez-vous que le gravier et les pierres n'entrent pas dans le produit. Des blessures personnelles peuvent survenir si des objets sont éjectés à grande vitesse.
3. Fixer le contre-écrou (B).



## Utilisation des coupe-bancs (selon équipement)

Utiliser les coupe-bancs pour couper plus profondément les bancs de neige, par rapport à l'avant du produit.

1. Desserrer les écrous de réglage (A) des deux côtés du produit afin que chaque barre de coupe (B) puisse être à la position la plus haute.



2. Serrer les écrous.
3. Abaisser les coupe-bancs après usage.

## Prévention du gel après utilisation

**Remarque :** Les commandes et les pièces mobiles peuvent être bloquées par la glace. Ne pas appliquer une force excessive aux commandes. S'il n'est pas possible d'actionner une commande ou de

manœuvrer une pièce, démarrer le moteur et le laisser fonctionner pendant quelques minutes.

1. Démarrer le moteur et le laisser tourner au ralenti pendant quelques minutes. Arrêter le moteur et attendre que toutes les pièces mobiles soient immobilisées.
2. Retirer la neige et les morceaux de glace du produit.
3. Retirer la neige et les morceaux de glace à la base de la goulotte.
4. Tourner le déflecteur de goulotte vers la gauche et vers la droite pour enlever la glace et de l'eau.
5. Mettre la clé à la position OFF (arrêt).
6. Si le produit n'est pas doté d'un démarreur électrique, tirer la poignée du lanceur à plusieurs reprises afin de retirer la glace et l'eau.
7. Si le produit dispose d'un démarreur électrique, brancher le produit à l'alimentation et appuyer sur le bouton de démarrage une fois afin de retirer la glace et l'eau.

## Pour obtenir un bon résultat

- Toujours faire tourner le moteur à plein régime ou presque à plein régime.
- Toujours adapter la vitesse du produit aux circonstances relatives à la neige et adapter la vitesse au moyen du levier de commande de vitesse d'entraînement. S'assurer que le produit projette la neige de façon uniforme.
- Il est plus facile et plus efficace d'éliminer la neige immédiatement après la chute.
- Toujours projeter la neige dans la direction du vent autant que possible.
- Sur les surfaces planes, comme les routes asphaltées, relever la barre de protection de 5 à 6 mm (de 0,2 à 0,25 po) à partir du sol.
- La barre de racleur est réversible. Quand elle est usée et s'approche de l'extrémité du carter, l'inverser. Remplacer la barre de racleur si elle est endommagée ou si les deux côtés sont usés.
- Ne pas régler le déflecteur de goulotte s'il est encrassé.
- Si le produit ne se déplace pas vers l'avant en raison de circonstances exceptionnelles, relâcher immédiatement l'engagement de l'entraînement ou tirer la clé ON/OFF (marche/arrêt) à la position OFF (arrêt).

# Entretien

## Introduction

Lorsque le produit est en utilisation, les boulons peuvent se desserrer et des composants peuvent s'user. Cela peut entraîner un dysfonctionnement,

comme un mauvais espacement, une augmentation de la consommation d'huile ou un problème d'alignement de différents éléments. Procéder à un entretien régulier du produit afin d'éviter tout dysfonctionnement.

## Calendrier d'entretien

Entretien	Quotidien	20 heures	50 heures	100 heures
S'assurer que les écrous et les vis sont serrés	X			
Vérifier le niveau d'huile moteur	X			
Remplacer l'huile <sup>7</sup>		X	X	X
S'assurer qu'il n'y a pas de fuites de carburant ou d'huile	X			
Retirer les obstructions et les corps étrangers de la tarrière	X			
Vérifier la pression des pneus <sup>8</sup>			X	
Inspecter et remplacer la bougie <sup>9</sup>				X

**Remarque :** Il n'est pas nécessaire d'ajouter de la graisse ou d'effectuer d'autres entretiens sur la boîte de vitesses.

### Pour effectuer une inspection générale

- S'assurer que les écrous et les vis sur le produit sont serrés.

### Vérification du niveau d'huile



**MISE EN GARDE :** Un niveau d'huile trop faible peut causer des dommages au moteur. Vérifier le niveau d'huile avant d'utiliser le produit.

1. Placer le produit sur un sol plat.
2. Retirer le bouchon du réservoir d'huile avec la jauge d'huile.
3. Nettoyer l'huile sur la jauge d'huile.
4. Insérer entièrement la jauge dans le réservoir d'huile pour obtenir une estimation appropriée du niveau d'huile.
5. Retirer la jauge d'huile.
6. Examiner le niveau d'huile sur la jauge d'huile.

7. Si le niveau d'huile est trop bas, remplir avec de l'huile moteur et vérifier de nouveau le niveau d'huile.

### Vidange de l'huile

1. Faire tourner le moteur quelques minutes pour faire chauffer l'huile. L'huile chaude s'écoule plus facilement et emporte avec elle plus de contaminants.



**AVERTISSEMENT :** L'huile moteur est chaude. Éviter tout contact entre la peau et l'huile moteur usagée.

2. Placer le produit sur un sol plat.
3. Retirer la clé ON/OFF (marche/arrêt).
4. Placer un récipient sous le bouchon de vidange d'huile.
5. Retirer le bouchon de vidange d'huile, basculer le produit et vidanger l'huile usagée dans le conteneur.
6. Replacer le produit à la position de fonctionnement.
7. Installer le bouchon de vidange d'huile et le serrer à la main.
8. Remplir le moteur d'huile, voir *Remplissage du moteur avec de l'huile* à la page 56.

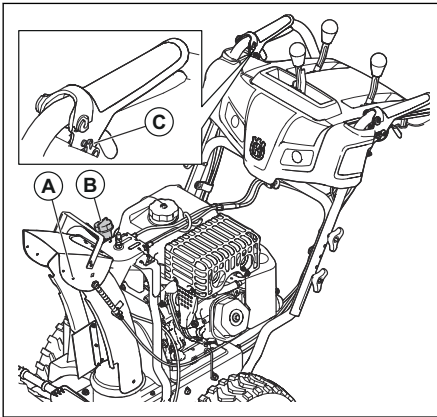
<sup>7</sup> Remplacer l'huile après les 20, 50 et 100 premières heures puis toutes les 100 heures.

<sup>8</sup> Voir la section sur les caractéristiques techniques pour connaître la bonne pression des pneus.

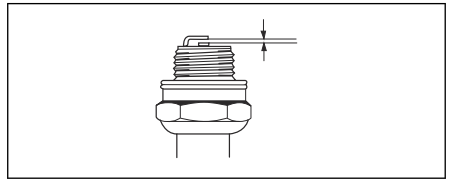
<sup>9</sup> Contrôler et nettoyer la bougie avant l'utilisation chaque année.

## Lubrification de la machine

- Lubrifier les points pivots (A) avec de l'huile.
- Lubrifier le moteur (B) avec de l'huile.
- Appliquer une petite quantité de graisse au lithium au mécanisme de verrouillage Boss (C) au début de chaque saison ou toutes les 25 heures d'utilisation.



- b) Vérifier que le mélange de carburant est correct.
  - c) Vérifier que le filtre à air est propre.
- Si la bougie d'allumage est sale, la nettoyer et s'assurer que l'écartement des électrodes est correct, voir la figure *Données techniques à la page 71*.



- Remplacer la bougie d'allumage au besoin.

## Inspection des tarières et de la barre de racler

1. Avant chaque utilisation, vérifier la tarière et la barre de racler pour détecter tout signe d'usure.
2. Si le bord de la barre de racler est usé, inverser la barre de racler. Si la barre de racler est endommagée ou est usée des deux côtés, la remplacer.
3. Si les bords de la tarière sont usés, communiquer avec un centre de service agréé pour les remplacer.

## Silencieux

Le silencieux maintient le niveau de bruit au minimum et dirige les gaz d'échappement loin de l'utilisateur.

Ne pas utiliser l'outil si le silencieux est manquant ou défectueux. Un silencieux défectueux augmente le niveau sonore et le risque d'incendie.

Examiner régulièrement le silencieux pour s'assurer qu'il est correctement raccordé et en bon état.



**MISE EN GARDE :** Le silencieux devient très chaud pendant et après utilisation et lorsque le moteur tourne au ralenti. Faire attention à proximité des matériaux inflammables ou des fumées afin d'éviter tout risque d'incendie.



**MISE EN GARDE :** N'utiliser que les goupilles de tonte livrées avec le produit.

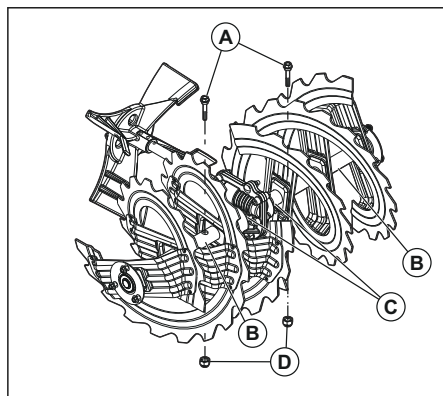
## Vérification de la bougie d'allumage



**MISE EN GARDE :** Toujours utiliser une bougie d'allumage du type recommandé. Une bougie d'allumage de type inapproprié peut endommager le produit.

- Examiner la bougie d'allumage si le moteur manque de puissance, démarre difficilement ou ne fonctionne pas correctement au régime de ralenti.
- Afin de réduire le risque de matériau indésirable sur les électrodes de la bougie, respecter les consignes suivantes :
  - a) Vérifier que le régime de ralenti est réglé de façon adéquate.

1. En cas de bris d'une goupille de tonte de la tarière, arrêter le moteur et attendre que les pièces mobiles soient immobiles.
2. Retirer la clé ON/OFF (marche/arrêt) et débrancher le câble d'allumage.
3. Aligner le trou du moyeu de la tarière (B) avec le trou dans l'arbre de la tarière (C) et installer une nouvelle goupille de tonte 1/4-20 x 2 (A).
4. Installer un contre-écrou 1/4-20 (D) sur la goupille de tonte et serrer.



5. Insérer la clé ON/OFF (marche/arrêt) dans le contact, puis brancher le câble d'allumage de la bougie.

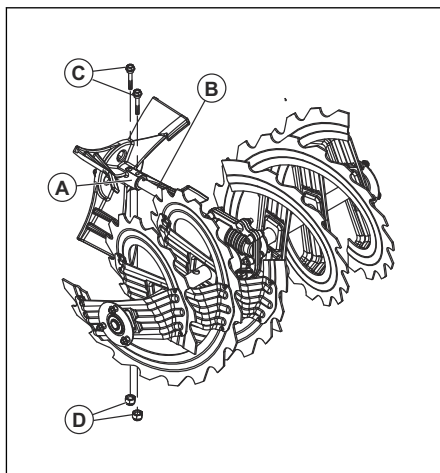
## Remplacement des goupilles de tonte de la roue à ailette

La goupille de tonte de la roue à ailette protège le produit contre les dommages. Les goupilles de tonte de la roue à ailette peuvent se briser si un objet est inséré dans les pièces mobiles.



**MISE EN GARDE :** N'utiliser que les goupilles de tonte livrées avec le produit.

1. En cas de bris d'une goupille de tonte de la roue à ailette, arrêter le moteur et attendre que les pièces mobiles soient immobiles.
2. Retirer la clé ON/OFF (marche/arrêt) et débrancher le câble d'allumage.
3. Aligner le trou du moyeu de la roue à ailette (A) avec les trous de l'arbre de la roue à ailette (B) et installer une nouvelle goupille de tonte ¼-20 (C).
4. Installer un contre-écrou ¼-20 (D) sur la goupille de tonte et serrer.



5. Insérer la clé ON/OFF (marche/arrêt) dans le contact, puis brancher le câble d'allumage de la bougie.

## Pour examiner les pneus

- Maintenir les pneus exempts de carburant et d'huile pour éviter d'endommager le caoutchouc.
- Maintenir les pneus à l'écart de souches, de pierres, d'ornières, d'objets pointus et de tout autre objet pouvant les endommager.
- Maintenir la pression correcte des pneus, voir *Données techniques à la page 71*.

## Dégagement d'un déflecteur de goulotte bouché

Ne pas déboucher le déflecteur de goulotte avant de réaliser les opérations suivantes.

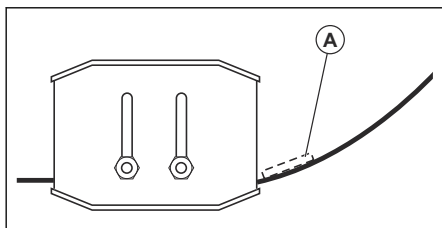
1. Relâcher simultanément l'engagement de la tarière et celui de l'entraînement.
2. Attendre 10 secondes pour s'assurer que les tarières sont arrêtées.
3. Mettre le produit hors tension.
4. Utiliser l'outil de nettoyage (au moins 38 cm [15 po] de long, inclus avec certains modèles) pour retirer l'obstruction.



**AVERTISSEMENT :** Ne pas placer les mains dans le déflecteur de goulotte ou à l'intérieur du carter de tarière.

## Remplacement de la barre de racler

1. Placer la barre de racler (A) dans la position inversée lorsqu'elle est usée du côté du carter.



2. Remplacer la barre de racleur si elle est usée des deux côtés ou si elle est endommagée.

## Courroies d'entraînement



**AVERTISSEMENT** : Les courroies en V sont spécialement conçues pour le produit et doivent être remplacées par des pièces du fabricant d'origine disponibles auprès de votre centre de services le plus proche. L'utilisation de courroies autres que celles du fabricant d'origine peut causer des blessures personnelles ou endommager le produit.



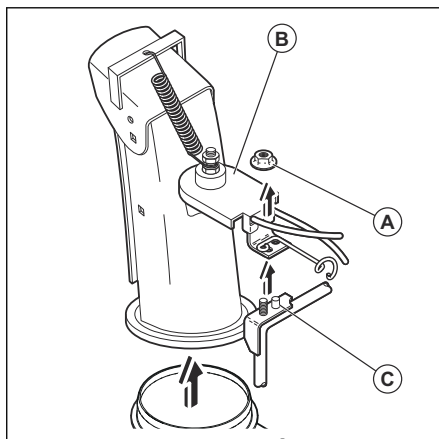
**AVERTISSEMENT** : Le remplacement de la courroie nécessite le démontage du produit. Pour séparer le carter de la tarière du châssis, il est important qu'un assistant se tienne debout dans la position de fonctionnement et qu'il tienne les poignées du produit. Des blessures corporelles graves ou un endommagement du produit pourraient se produire si le produit est échappé pendant le remplacement de la courroie.

**Remarque** : Il n'est pas possible d'ajuster la courroie de la tarière et la courroie d'entraînement. Remplacer les courroies si elles sont endommagées ou si elles commencent à glisser en raison de l'usure. Il est recommandé de faire remplacer les courroies par un centre de réparation agréé.

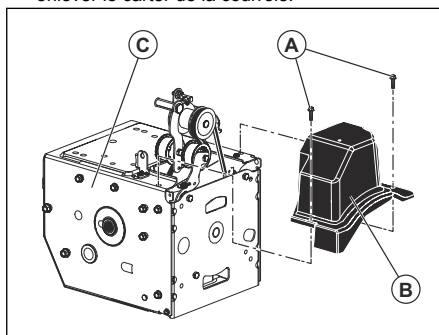
**Remarque** : Il est recommandé de remplacer la courroie d'entraînement ainsi que la courroie de la tarière.

## Préparation du remplacement des courroies

1. Retirer le carburant du réservoir de carburant.
2. Desserrer le contre-écrou (A) qui fixe la tête du rotateur de goulotte (B) au support de montage (C) afin de retirer la goulotte d'éjection.

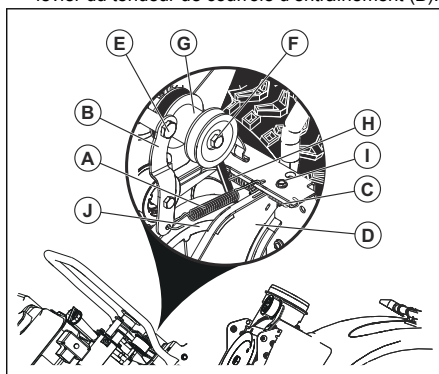


3. Desserrer les deux vis (A) qui maintiennent le carter de la courroie (B) sur le châssis (C) et enlever le carter de la courroie.



## Retrait de la courroie d'entraînement

1. Retirer la courroie de tarière. Voir *Retrait de la courroie de tarière à la page 65*.
2. Déposer le ressort du tendeur (A) fixé sur le levier du tendeur de courroie d'entraînement (B).



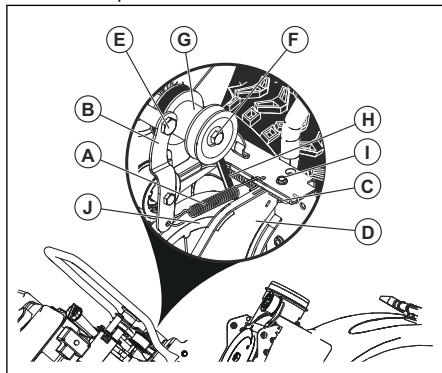
3. Déposer le ressort de rappel (C) qui maintient le plateau de rotation (D) en place.



- Déposer le boulon du levier (E) et le levier du tendeur de courroie.
- Retirer le boulon de la poulie (F), la poulie du moteur (G) et la courroie d'entraînement (H) du moteur.
- Retirer le boulon supérieur (I) qui maintient le plateau de rotation sur le châssis
- Pivoter et maintenir le plateau de rotation à l'écart du produit et retirer la courroie d'entraînement de la poulie d'entraînement (J).

### Installation de la courroie d'entraînement

- Pivoter et maintenir le plateau de rotation (D) à l'écart du produit.



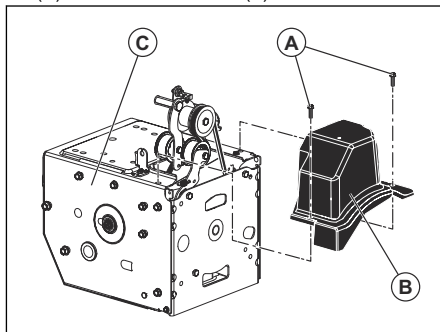
- Placer la courroie d'entraînement (H) sur la poulie d'entraînement (J).

**Remarque :** S'assurer que la courroie d'entraînement est acheminée correctement dans la rainure de la poulie d'entraînement avant d'abaisser le plateau de rotation.

- Installer et serrer le boulon supérieur (I).
- Placer la courroie d'entraînement dans la rainure de la poulie du moteur (G) avant de l'installer sur l'arbre du moteur.
- Installer le boulon de la poulie (F) et l'attacher la poulie du moteur sur le moteur. Serrer le boulon de la poulie (de 30 à 35 pi- lb / de 41 à 47 Nm).
- Installer le levier du tendeur de courroie d'entraînement (B) et serrer le boulon du levier (E) sur le moteur.
- Installer le ressort de rappel (C) sur le plateau de rotation.
- Installer le ressort du tendeur (A) sur le levier du tendeur.
- Actionner toutes les commandes pour s'assurer que la courroie d'entraînement est correctement installée et que tous les composants se déplacent correctement.

### Installation du carter de la courroie

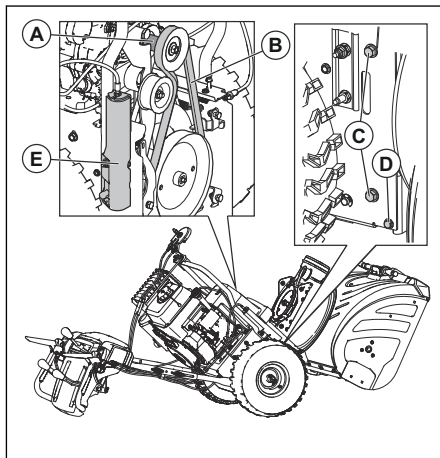
- Installer le carter de la courroie (B) sur le châssis (C) et serrer les deux vis (A).



- Installer la goulotte de décharge.

### Retrait de la courroie de tarière

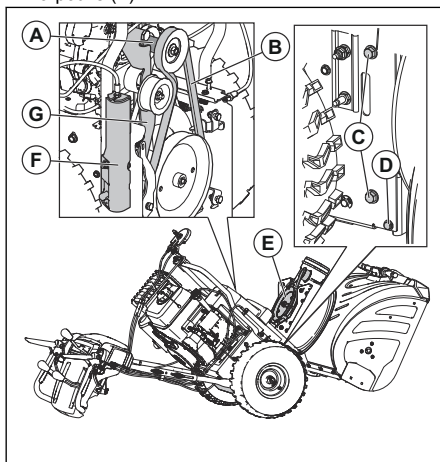
- Déposer l'écrou 5/16 po et le cache-câble (E) du châssis.



- Déposer les boulons 5/16 po supérieurs et les boulons ¼ po inférieurs (D) des 2 côtés du châssis. Conserver les boulons.
- Desserrer, sans retirer, les boulons 5/16 po inférieurs (C) des 2 côtés du châssis.
- Déposer la courroie de tarière (B) de la poulie du moteur (A).
- Incliner la partie arrière vers le bas. La partie avant s'inclinera vers l'avant par la même occasion. Le boulon inférieur est une charnière entre les sections avant et arrière.
- Placer une cale en bois sous le point de charnière afin de mettre le produit en position repliée.
- Déplacer le levier de frein de la tarière et retirer la courroie de la tarière (B) du levier.

## Installation de la courroie de tarière

1. Déplacer le levier de frein de la tarière (G) et placer la courroie de la tarière dans la rainure de la poulie (E).



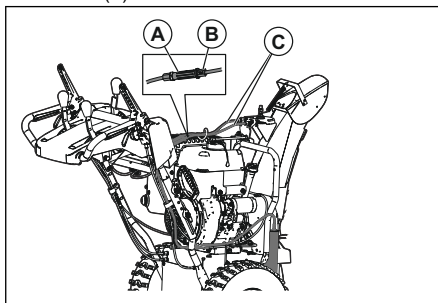
**MISE EN GARDE :** S'assurer que la courroie n'est pas coincée entre le châssis et le carter de la tarière lorsque vous assemblez l'unité.

2. Retirer le bloc de bois à partir de la partie inférieure du produit.
3. Tourner les poignées pour incliner la partie arrière vers le haut. La partie avant s'inclinera vers l'arrière et pivotera afin de fixer la partie arrière.
4. S'assurer que la courroie est correctement positionnée dans la rainure de la poulie de la tarière (E).
5. Installer les boulons 5/16 po (C) et serrer (de 11 à 16 Nm).
6. Installer les boulons ¼ po (D) et serrer (de 5 à 8 Nm).
7. Installer la courroie de la tarière (B) sur la poulie du moteur (A). S'assurer que la courroie est correctement placée sur la poulie folle et correctement installée dans la rainure de la poulie du moteur.
8. Installer le cache-câble (F) et l'écrou 5/16 po sur le châssis.
9. Actionner toutes les commandes afin de s'assurer que la courroie de la tarière est correctement installée et que tous les composants se déplacent correctement.

## Réglage de la tension du câble du déflecteur de la goulotte d'éjection

1. Desserrer les écrous de blocage (B) afin de régler la tension du câble de la goulotte

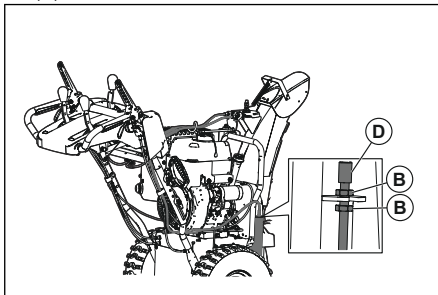
d'éjection adjacente au dispositif de réglage du tendeur (A).



2. Tenir fermement la section courte et tourner la section longue afin d'allonger le tendeur.
3. Procéder à un ajustement jusqu'à ce que le câble du déflecteur de la goulotte d'éjection (C) soit bien serré. Serrer les écrous de blocage.

## Ajustement du câble de commande de la tarière

1. Retirer le cache-câble du côté droit du châssis (D).



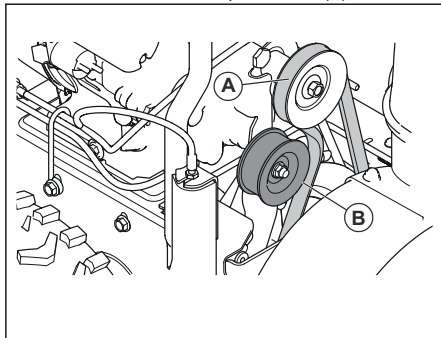
2. Pour éliminer le mou du câble de commande de la tarière, dévisser le l'écrou de blocage inférieur (B) et serrer l'écrou de blocage supérieur (B) jusqu'à ce que la tension de la courroie de la tarière soit adéquate.
3. Redémarrer la tarière. Répéter le réglage, au besoin, jusqu'à ce qu'il ne reste seulement qu'un peu de mou dans le câble lorsque le levier est désengagé.
4. Serrer l'écrou de blocage inférieur afin de le verrouiller en tension.

**Remarque :** Il est également possible de tendre la courroie de la tarière en ajustant la poulie folle comme une option secondaire. Si le réglage du câble ne règle pas le problème, remplacer la courroie de la tarière. Voir *Retrait de la courroie de tarière à la page 65*.

## Réglage de la tension de la courroie

1. Retirer le carter de la courroie. Voir *Préparation du remplacement des courroies à la page 64*.

2. Desserrer l'écrou de la poulie folle (A).

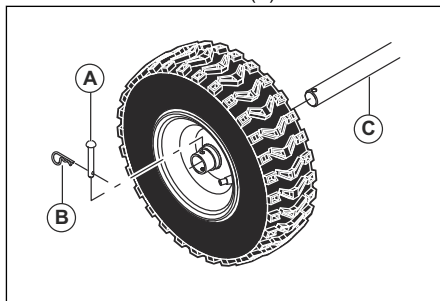


3. Faire glisser la poulie folle vers la courroie afin d'augmenter la tension de la courroie. Éloigner la poulie de la courroie pour réduire la tension de la courroie.
4. Serrer l'écrou de la poulie folle (A).
5. Pour s'assurer que la courroie est complètement débrayée lorsque le levier de la tarière est désengagé, demander à un assistant de se tenir debout à 3 m (10 pi) devant le produit, du côté opposé de la goulotte. L'assistant doit observer la rotation de la tarière et calculer le temps nécessaire pour l'arrêt de la rotation après avoir relâché le levier. Si la tarière arrête de tourner après plus de 5 secondes, recommencer le réglage et faire glisser la poulie folle plus loin de la courroie.
6. Lorsque la tarière arrête de tourner après moins de 5 secondes, installer le couvercle de la

courroie. Voir *Préparation du remplacement des courroies à la page 64.*

## Dépose des roues

1. Déposer l'axe de la roue (A) et l'axe de retenue (B).
2. Enlever la roue de l'arbre (C).



## Pour nettoyer l'outil

- Nettoyer les pièces en plastique à l'aide d'un chiffon propre et sec.
- Ne pas utiliser de nettoyeur à haute pression pour nettoyer la tondeuse.
- Ne pas verser de l'eau directement sur le moteur.
- Utiliser une brosse pour enlever les feuilles, l'herbe et la saleté.

# Dépannage

## Dépannage

Problème	Cause possible	Solution
L'outil ne démarre pas	La clé de démarrage de sécurité n'est pas insérée.	Insérer la clé de démarrage de sécurité.
	Le produit est en panne de carburant.	Remplir le réservoir de carburant avec de l'essence fraîche et propre.
	La clé ON/OFF (marche/arrêt) est à la position OFF (arrêt).	Placer la clé ON/OFF (marche/arrêt) à la position ON (marche).
	Le volet de départ est à la position OFF (arrêt, fermé).	Déplacer le volet de départ à la position ON (marche, complètement ouvert).
	L'amorceur n'est pas enfoncé.	Appuyer sur l'amorceur.
	Le moteur est noyé.	Attendre quelques minutes avant de redémarrer, NE PAS purger.  Redémarrer le moteur à plein régime avec le volet de départ à la position OFF (arrêt, fermé).
	Le fil de la bougie d'allumage n'est pas connecté.	Connecter le fil à la bougie d'allumage.
	La bougie d'allumage est défectueuse.	Remplacer la bougie d'allumage.
	Il y a de l'eau dans le carburant ou le carburant est trop vieux.	Vider le réservoir de carburant et le carburateur. Remplir le réservoir de carburant avec de l'essence fraîche et propre.
	Il y a de la vapeur dans la conduite de carburant.	S'assurer que toute la conduite d'alimentation en carburant est en dessous de la sortie du réservoir de carburant. La conduite d'alimentation en carburant doit fonctionner en permanence entre le réservoir de carburant et le carburateur.
	Autres causes.	Lire attentivement les méthodes de démarrage de ce manuel.
	Le commutateur de carburant (selon l'équipement) est à la position CLOSE (arrêt).	Placer le commutateur de démarrage du moteur à la position ON (marche).
	La commande d'accélération est à la position STOP (Arrêt).	Déplacer la commande d'accélérateur à la position FAST (Rapide).

<b>Problème</b>	<b>Cause possible</b>	<b>Solution</b>
Puissance réduite	Le fil de la bougie d'allumage n'est pas connecté.	Connecter le fil à la bougie d'allumage.
	Le produit rejette trop de neige.	Réduire la vitesse et la largeur de l'andain.
	Le couvercle du réservoir de carburant est recouvert de glace ou de neige.	Retirer la glace et la neige sur et autour du couvercle du réservoir de carburant.
	Le silencieux est sale ou bouché.	Nettoyer ou remplacer le silencieux.
	Mauvaise longueur de câble.	Régler le câble.
	Le silencieux est obstrué.	Vérifier que le moteur est froid. Retirer l'obstruction.
	La prise d'air d'admission du carburateur est obstruée.	Vérifier que le moteur est froid. Retirer l'obstruction.
Le moteur tourne au ralenti ou ronfle	Le volet de départ est à la position ON (marche, complètement ouvert).	Déplacer le volet de départ à la position OFF (arrêt, fermé).
	La conduite de carburant est obstruée.	Nettoyer la conduite de carburant.
	Il y a de l'eau dans le carburant ou le carburant est trop vieux.	Vider le réservoir de carburant et le carburateur. Remplir le réservoir de carburant avec de l'essence fraîche et propre.
	Le carburateur doit être remplacé.	Communiquer avec un centre de réparation agréé.
	La courroie est tendue.	Remplacer la courroie trapézoïdale de la tarière.
Vibrations/Mouvements excessifs de la poignée	Certaines pièces sont desserrées. Les tarières sont endommagées.	Serrer tout le matériel de fixation. Remplacer les pièces endommagées. Si la vibration persiste, communiquer avec un centre de service agréé.
	Les poignées ne sont pas correctement positionnées.	Assurez-vous que les poignées sont verrouillées en position.
	Les écrous du levier de réglage sont desserrés.	Serrer les écrous jusqu'à ce que la poignée soit sécuritaire.
La poignée du lanceur est difficile à tirer	La poignée du lanceur est gelée.	Tirer autant que possible sur corde du lanceur, puis relâcher la poignée. Si le moteur ne démarre pas, répéter la procédure ou utiliser le démarreur électrique.
	La corde interfère avec les composants.	La corde du lanceur ne doit toucher aucun câble ni tuyau.

Problème	Cause possible	Solution
Perte de traction/ralentissement de la vitesse d'entraînement  Perte de décharge ou ralentissement de la décharge de neige	La courroie glisse.	Régler le câble. Régler la courroie.
	La courroie est usée.	Vérifier/remplacer la courroie. Régler la poulie.
	La courroie est sortie de la poulie.	Vérifier/réinstaller la courroie. Régler la poulie.
	Le déflecteur de goulotte est obstrué.	Nettoyer le déflecteur de goulotte.
	Des corps étrangers obstruent les tarières.	Retirer les débris ou le corps étranger des tarières.
	La goupille de tonte est brisée.	Remplacer la goupille de tonte brisée.
	Accumulation excessive de neige et de glace entre les composants de la chenille.	Retirer la neige et la glace entre les composants de la chenille.
	La roue d'entraînement de friction est usée.	Communiquer avec un centre de réparation agréé.
	Le disque de friction est humide	Laisser le disque de friction sécher
Échec de rotation de la tarière après le relâchement de la poignée	La courroie d'entraînement n'est pas alignée.	Régler la courroie d'entraînement.
	Le déflecteur d'éjection n'est pas aligné.	Régler le déflecteur d'éjection.
L'éclairage n'est pas aligné (selon l'équipement)	Le moteur ne tourne pas.	Démarrer le moteur.
	Le branchement du câble est desserré.	Vérifier les branchements électriques au niveau du moteur et des feux.
	La DEL est brûlée.	Remplacer le module d'éclairage à DEL. Il n'est pas possible de remplacer des DEL distinctes.
Le rotateur de goulotte est difficile à déplacer	Il y a des débris dans le mécanisme du rotateur de goulotte.	Nettoyer la partie interne du mécanisme du rotateur de réception.
	Câbles déformés ou endommagés.	S'assurer que les câbles ne sont pas endommagés. Remplacer les câbles endommagés.
Le produit tourne d'un seul côté	La pression des pneus n'est pas égale.	Régler la pression des pneus et gonfler le pneu.
	Le produit est entraîné par une seule roue.	Inspecter la goupille de blocage des pneus.
	Réglage irrégulier du traîneau.	Régler les plaques de protection et le traîneau.
	Réglage irrégulier des plaques de protection.	Régler les plaques de protection et le traîneau.

---

## Transport, entreposage et mise au rebut

---

### Transport et entreposage

- Pour le stockage et le transport du produit et du carburant, s'assurer qu'il n'y a pas de fuite ou de

vapeur. Les étincelles ou les flammes nues, par exemple avec des appareils électriques ou des chaudières, peuvent démarrer un incendie.

- Utiliser toujours des contenants agréés pour entreposer ou transporter le carburant.
- Vider le réservoir de carburant avant de ranger le produit pour une période prolongée. Mettre au rebut le carburant à un emplacement de mise au rebut adéquat
- Immobiliser le produit en sécurité pendant le transport pour éviter tout dommage ou accident.
- Garder le produit dans un endroit verrouillé hors de portée des enfants et des personnes non autorisées.
- Conserver le produit dans un endroit sec à l'abri du gel.

## Mise au rebut

- Respecter les exigences locales en matière de recyclage et la réglementation en vigueur.
- Mettre au rebut tous les produits chimiques, tel que le moteur d'huile ou de carburant, dans un centre de service ou à un emplacement de mise au rebut adéquat.
- Lorsqu'on n'utilise plus le produit, le mettre au rebut à un emplacement de recyclage.

## Données techniques

### Données techniques

	ST 324	ST 327	ST 330
<b>Dimensions</b>			
Poids, réservoirs vides (kg)	108	115	121
Pression maximale de fonctionnement des pneus, en PSI	18	18	20
<b>Moteur</b>			
Marque	LCT	LCT	LCT
Cylindrée, cm <sup>3</sup>	254	291	369
Type de carburant	Régulier sans plomb (maximum 10 % d'éthanol)		
Capacité de carburant, gallons/litres	0,35 / 1,33	0,62 / 2,35	0,62 / 2,35
Type d'huile (API SJ-SN)	SAE 5W-30 (en dessous de 0 °C/32 °F)		
Capacité du réservoir d'huile onces/litres	20 / 0,59	32 / 0,95	38 / 1,12
<b>Système électrique</b>			
Bougie d'allumage	F6RTC ou F7RTC		
Écartement des électrodes des bougies (po/mm)	0,030 / 0,762		



[www.husqvarna.com](http://www.husqvarna.com)

Original instructions  
Instrucciones originales  
Instructions d'origine

1159961-49



2020-01-09