

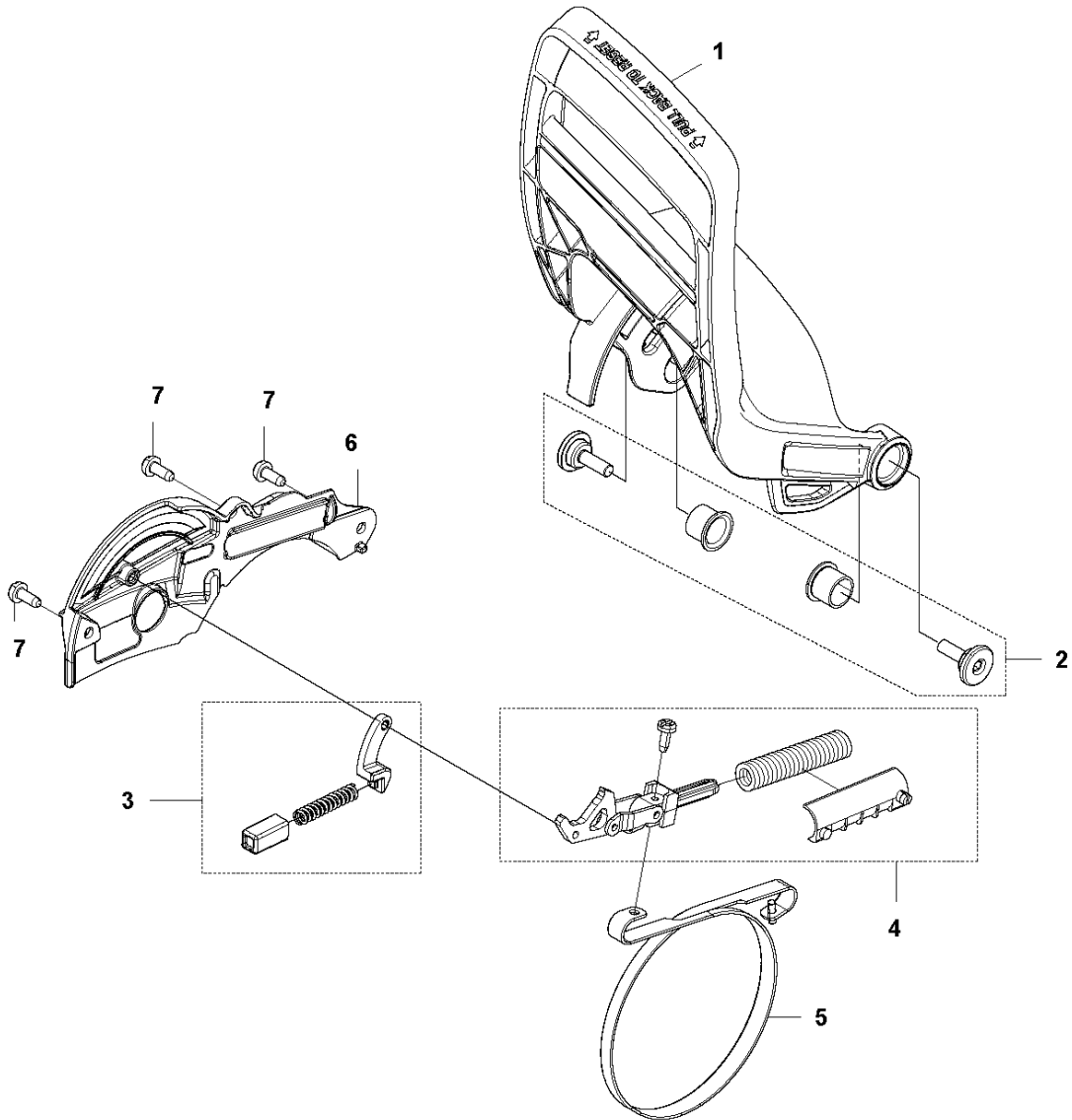


SPARE PARTS LIST

CHAIN SAWS

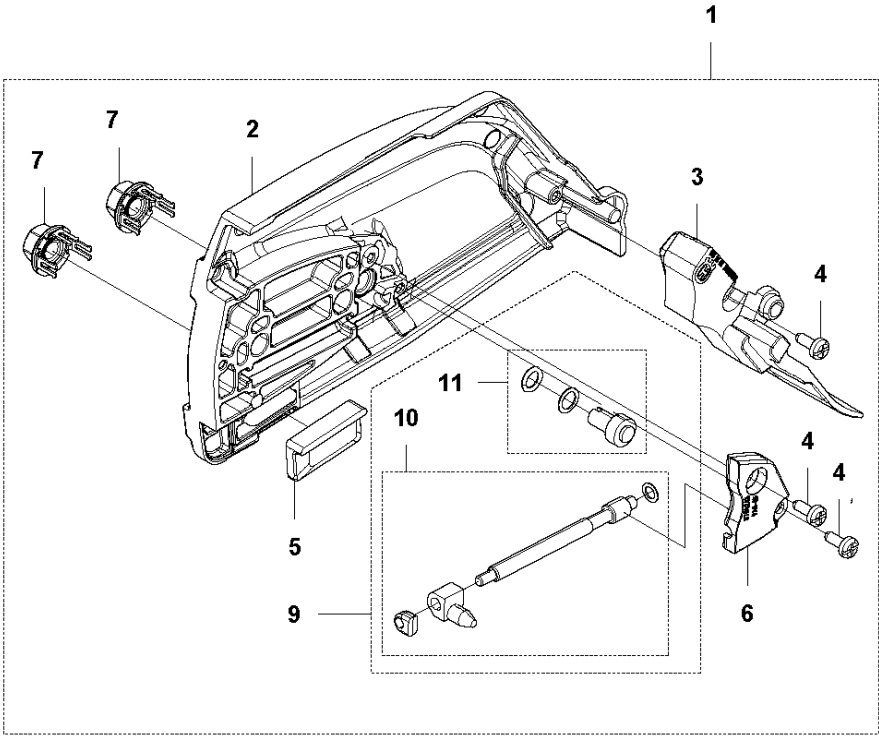
565

A1 565
CHAIN BRAKE



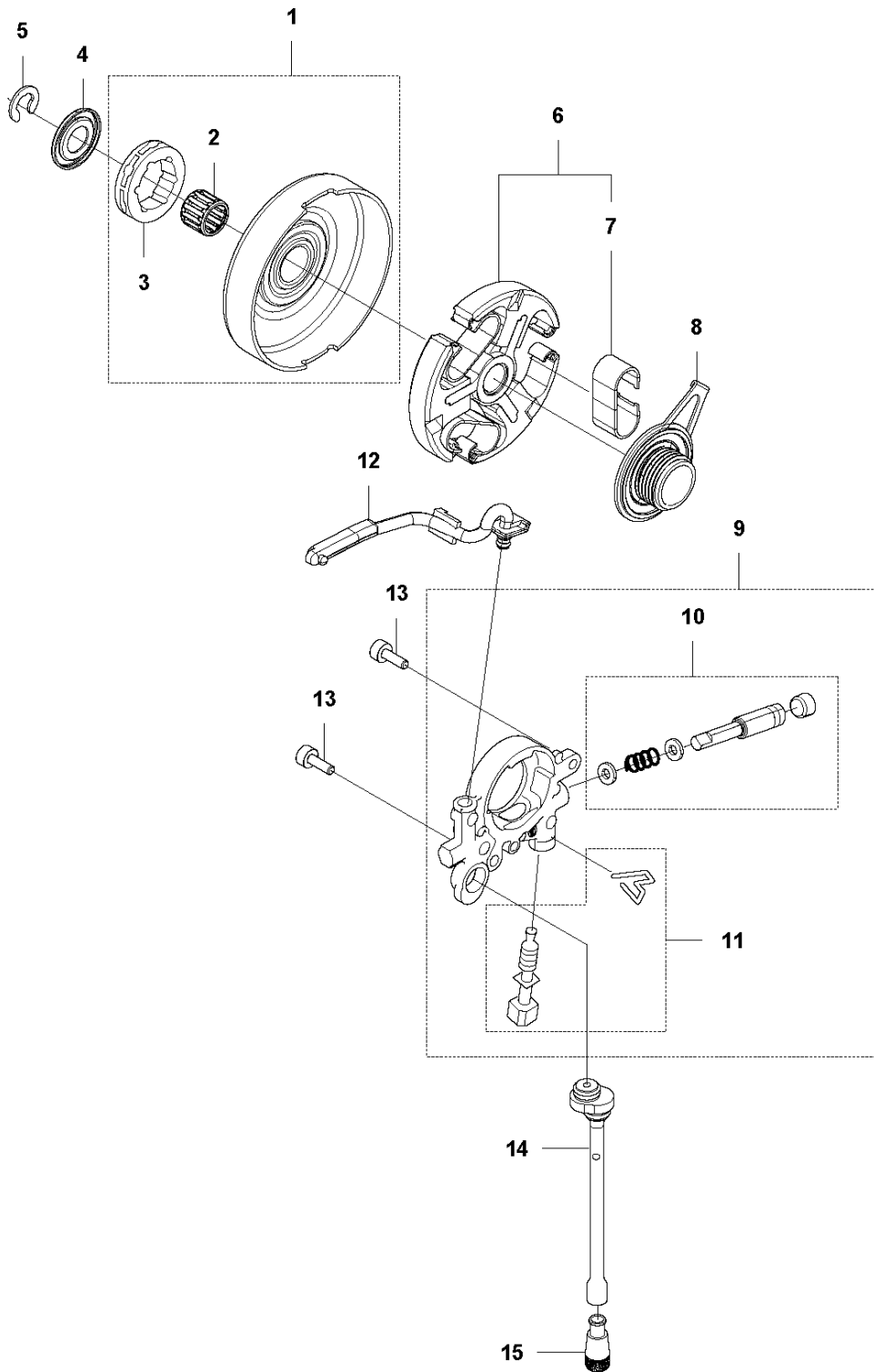
| Ref | Part No | Description | Remark | QTY KIT |
|-----|--------------|-----------------|--------|---------|
| 1 | 576 13 96-01 | HAND GUARD | | 1 |
| 2 | 590 10 53-01 | SCREW KIT | | 1 |
| 3 | 590 11 02-01 | CHAIN BRAKE | | 1 |
| 4 | 590 10 56-02 | KNEE JOINT | | 1 |
| 5 | 503 75 22-02 | BRAKE BAND ASSY | | 1 |
| 6 | 574 82 56-01 | COVER | | 1 |
| 7 | 582 21 33-01 | SCREW | | 3 |

A2 565
CLUTCH COVER



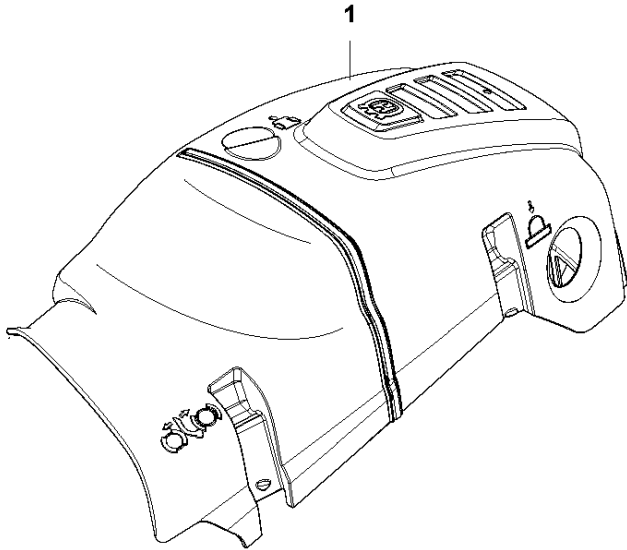
| Ref | Part No | Description | Remark | QTY | KIT |
|-----|--------------|---------------------|--------|-----|-----|
| 1 | 575 23 59-08 | CLUTCH COVER ASSY | | 1 | |
| 2 | 575 23 63-04 | CLUTCH COVER | | 1 | 1 |
| 3 | 575 23 64-01 | CHIP GUARD | | 1 | 1 |
| 4 | 526 22 18-01 | SCREW CITXPANT | | 3 | 1 |
| 5 | 501 51 72-01 | CHAIN GUIDE | | 1 | 1 |
| 6 | 576 42 43-01 | COVER | | 1 | 1 |
| 7 | 505 19 73-01 | NUT | | 2 | 1 |
| 9 | 590 10 47-01 | CHAIN TENSIONER KIT | | 1 | 1 |
| 10 | 590 10 48-01 | WORM SCREW | | 1 | 1 |
| 11 | 590 10 51-01 | WORM WHEEL | | 1 | 1 |

B 565
CLUTCH & OIL PUMP



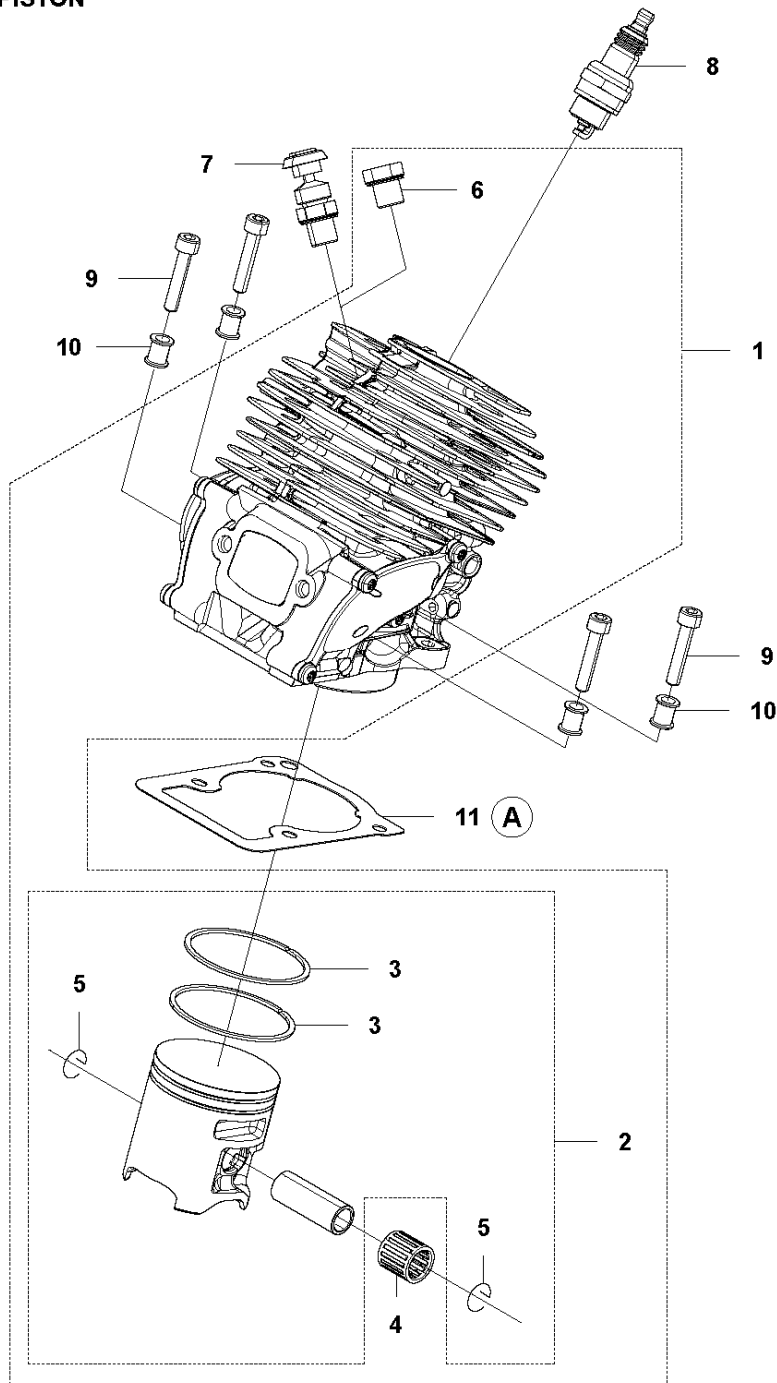
| Ref | Part No | Description | Remark | QTY | KIT |
|-----|--------------|-------------------|--------|-----|-----|
| 1 | 577 60 38-01 | CLUTCH DRUM ASSY | | 1 | |
| 2 | 503 43 20-01 | NEEDLE HOLDER | | 1 | 1 |
| 3 | 501 59 80-02 | RIM | | 1 | 1 |
| 4 | 503 75 24-01 | WASHER | | 1 | |
| 5 | 503 27 21-01 | E-CLIP | | 1 | |
| 6 | 586 79 84-04 | CLUTCH ASSY | | 1 | |
| 7 | 537 36 06-01 | CLUTCH SPRING | | 3 | 6 |
| 8 | 582 27 01-08 | PUMP PINION | | 1 | |
| 9 | 589 02 84-01 | OIL PUMP ASSY | | 1 | |
| 10 | 590 11 97-01 | PUMP PISTON | | 1 | 9 |
| 11 | 590 12 01-01 | OIL PUMP | | 1 | 9 |
| 12 | 576 98 74-01 | OIL PRESSURE HOSE | | 1 | |
| 13 | 526 81 81-02 | SCREW ITXSCM | | 2 | |
| 14 | 588 40 47-02 | OIL HOSE | | 1 | |
| 15 | 501 54 41-02 | OIL SCREEN | | 1 | |

C 565
CYLINDER COVER

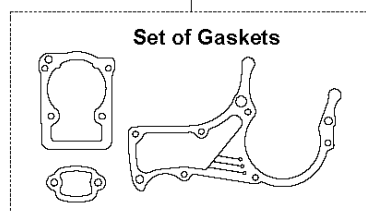


| Ref | Part No | Description | Remark | QTY KIT |
|-----|--------------|----------------|--------|---------|
| 1 | 579 79 88-01 | CYLINDER COVER | | 1 |

D 565
CYLINDER & PISTON



12 (A)

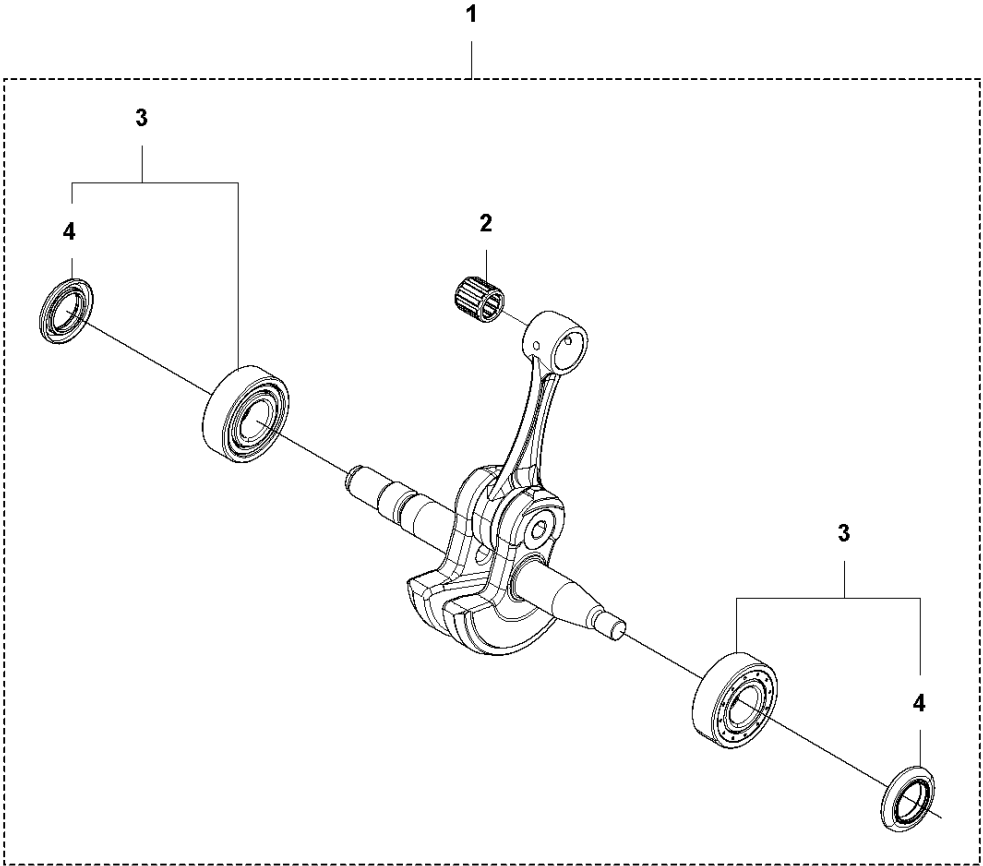


CYLINDER PISTON

565

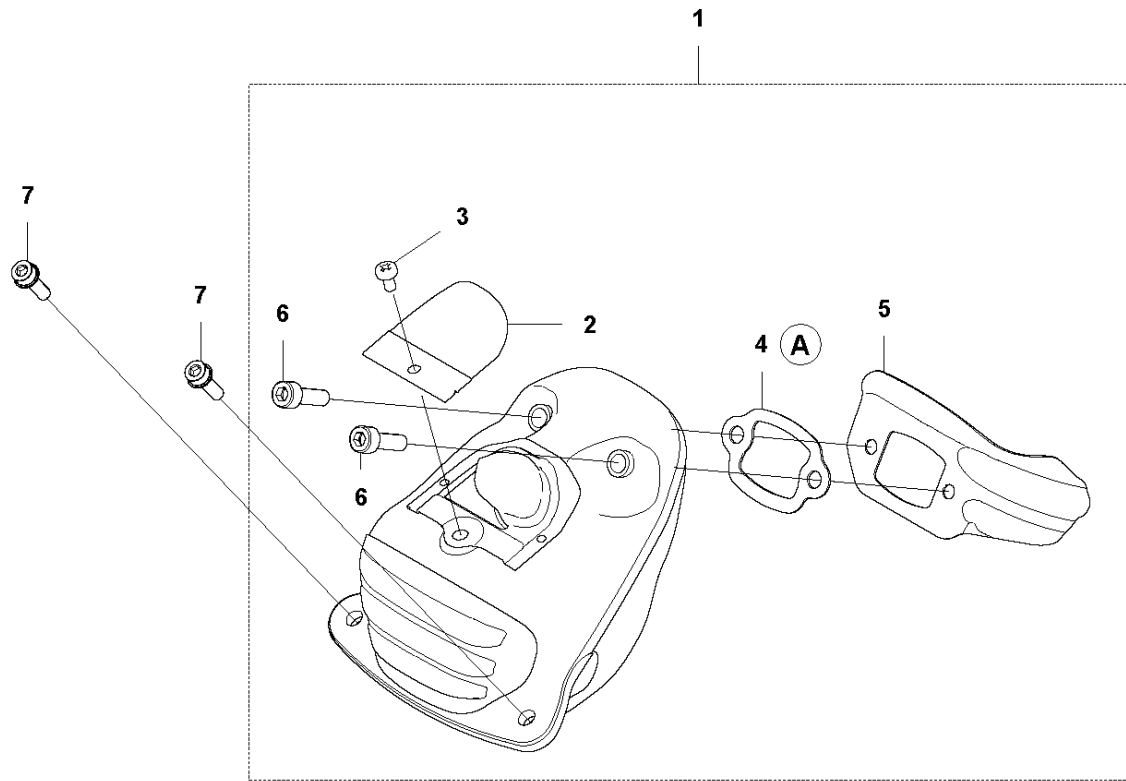
| Ref | Part No | Description | Remark | QTY KIT | |
|-----|--------------|---------------------|--------|---------|----|
| 1 | 590 15 03-04 | CYLINDER ASSY | 565 | 1 | |
| 2 | 576 62 67-06 | PISTON ASSY | | 1 | 1 |
| 3 | 576 62 74-01 | PISTON RING | | 2 | 2 |
| 4 | 577 57 24-01 | NEEDLE BEARING | | 1 | 1 |
| 5 | 737 43 12-00 | SNAP RING | | 2 | 2 |
| 6 | 503 55 22-01 | PLUG | | 1 | 1 |
| 7 | 584 28 87-01 | DECOMPRESSION VALVE | | 1 | |
| 8 | 503 23 51-11 | SPARK PLUG | | 1 | |
| 9 | 501 81 12-02 | SCREW ITXSCM | | 4 | |
| 10 | 589 52 79-01 | SLEEVE | | 4 | |
| 11 | 577 23 98-01 | GASKET | | 1 | 12 |
| 12 | 578 86 47-01 | GASKET KIT | | 1 | |

E 565
CRANKSHAFT

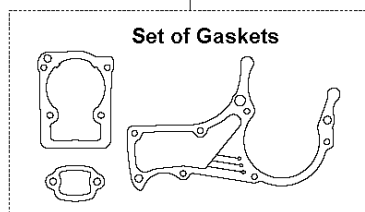


| Ref | Part No | Description | Remark | QTY | KIT |
|-----|--------------|-----------------|--------|-----|-----|
| 1 | 577 60 74-02 | CRANKSHAFT ASSY | | 1 | 1 |
| 2 | 577 57 24-01 | NEEDLE BEARING | | 1 | 1 |
| 3 | 587 29 34-01 | BALL BEARING | | 2 | 1 |
| 4 | 582 81 26-01 | RADIAL SEAL | | 2 | 2 |

F 565
MUFFLER

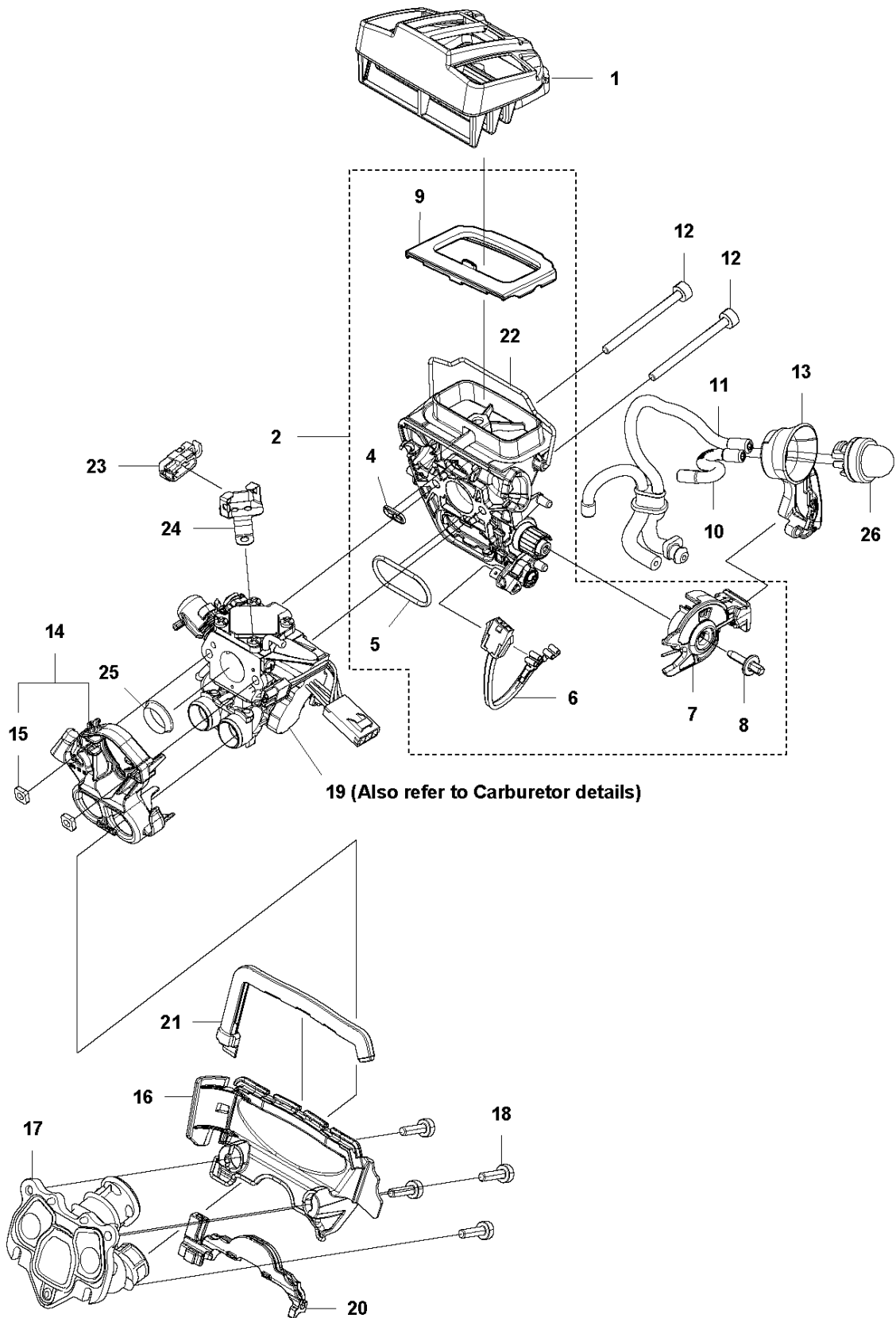


8 (A)



| Ref | Part No | Description | Remark | QTY | KIT |
|-----|--------------|----------------|--------|-----|------|
| 1 | 587 21 78-01 | MUFFLER KIT | | 1 | |
| 2 | 585 39 00-01 | SPARK ARRESTER | | 1 | 1 |
| 3 | 724 12 87-59 | SCREW CRPANM | | 1 | 1 |
| 4 | 587 35 09-01 | GASKET | | 1 | 1, 7 |
| 5 | 587 35 10-01 | HEAT DEFLECTOR | | 1 | 1 |
| 6 | 525 82 51-06 | SCREW ITXSCM | | 2 | 1 |
| 7 | 525 76 25-03 | SCREW ITXSCM | | 2 | |
| 8 | 578 86 47-01 | GASKET KIT | | 1 | |

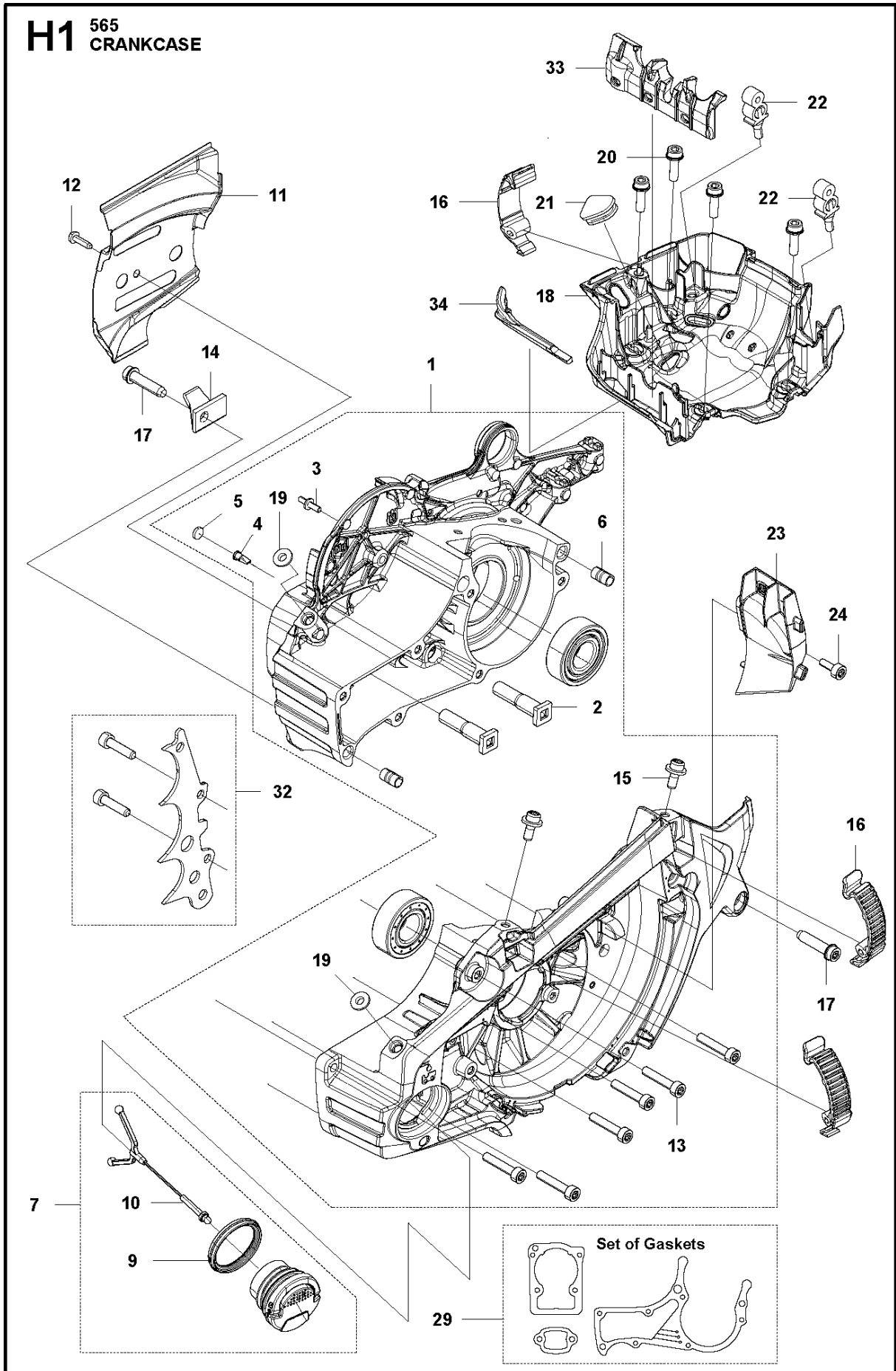
G1 565
CARBURETOR & AIRFILTER



| Ref | Part No | Description | Remark | QTY | KIT |
|-----|--------------|--------------------|-----------------------------|-----|-----|
| 1 | 575 52 64-01 | AIR FILTER ASSY | 80 µm Black | 1 | |
| 1 | 575 52 64-02 | AIR FILTER ASSY | 44 µm Yellow | 1 | |
| 1 | 575 52 64-03 | AIR FILTER ASSY | Non Woven Nature | 1 | |
| 2 | 577 41 90-05 | INLET ELBOW | Std | 1 | |
| 4 | 525 61 92-01 | SEALING | | 1 | 2 |
| 5 | 525 61 90-01 | SEALING | | 1 | 2 |
| 6 | 577 53 64-02 | WIRING ASSY | | 1 | 2 |
| 7 | 510 01 72-02 | CHOKE CONTROL ASSY | | 1 | 2 |
| 8 | 505 15 62-01 | SCREW | | 1 | 2 |
| 9 | 589 37 84-01 | SEALING | | 1 | 2 |
| 10 | 523 05 68-01 | FUEL HOSE | | 1 | |
| 11 | 525 34 43-03 | FUEL HOSE | | 1 | |
| 12 | 581 14 31-01 | SCREW ITXSCFM | | 2 | |
| 13 | 525 58 81-01 | SEALING | | 1 | |
| 14 | 505 16 52-02 | FLANGE | | 1 | |
| 15 | 503 22 65-03 | SQUARE NUT | | 2 | 14 |
| 16 | 501 18 20-01 | BAFFLE | | 1 | |
| 17 | 575 23 53-01 | INLET PIPE | Std | 1 | |
| 17 | 575 23 53-02 | INLET PIPE | For extrem cold conditions. | 1 | |
| 18 | 526 81 81-01 | SCREW ITXSCM | | 4 | |
| 19 | 591 15 83-02 | CARBURETTOR KIT | C1M-140062B | 1 | |
| 20 | 582 17 95-01 | SEALING | | 1 | |
| 21 | 590 05 95-01 | SEALING | | 1 | |
| 22 | 575 52 78-01 | CLAMP | | 1 | |
| 23 | 589 34 07-01 | CONTACT CLAMP | | 1 | |
| 24 | 589 34 06-01 | RETAINER | | 1 | |
| 25 | 582 02 51-01 | SUPPORT SLEEVE | | 1 | |
| 26 | 503 93 66-01 | PURGE | | 1 | |

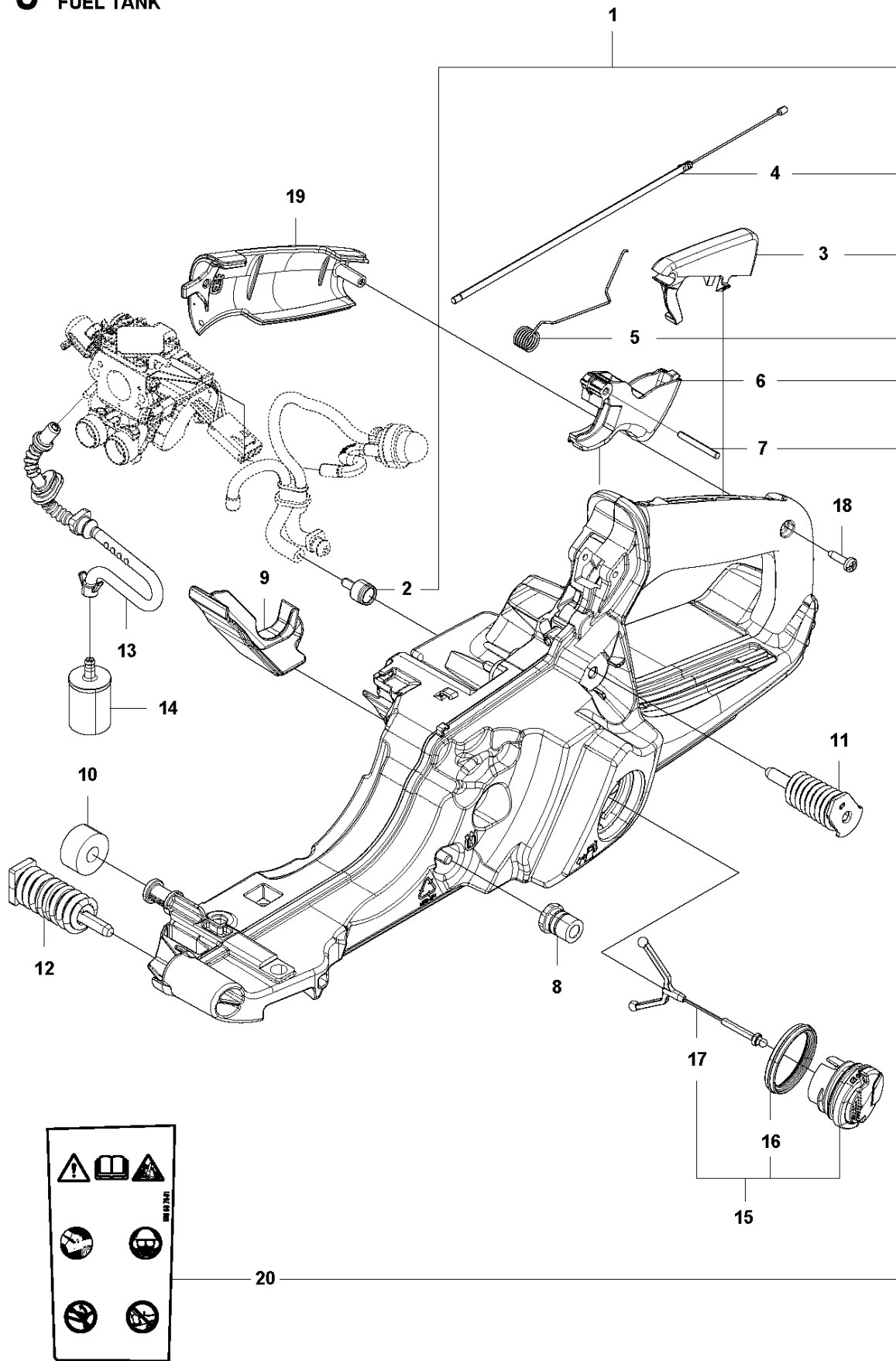
| Ref | Part No | Description | Remark | QTY | KIT |
|-----|--------------|-----------------|--------------------|-----|-----|
| 1 | 591 15 83-02 | CARBURETTOR KIT | C1M-140062B | 1 | |
| 2 | 522 51 89-01 | KIT | GASKET KIT | 1 | 1 |
| 3 | 590 19 15-01 | CARBURETTOR | Metering Kit | 1 | 1 |
| 4 | 590 19 16-01 | CARBURETTOR | Throttle Lever Kit | 1 | 1 |
| 6 | 537 38 34-01 | SPRING | | 1 | 1 |
| 7 | 522 51 79-01 | ROD | | 1 | 1 |
| 8 | 522 54 51-01 | SCREW | | 4 | |

H1 565 CRANKCASE



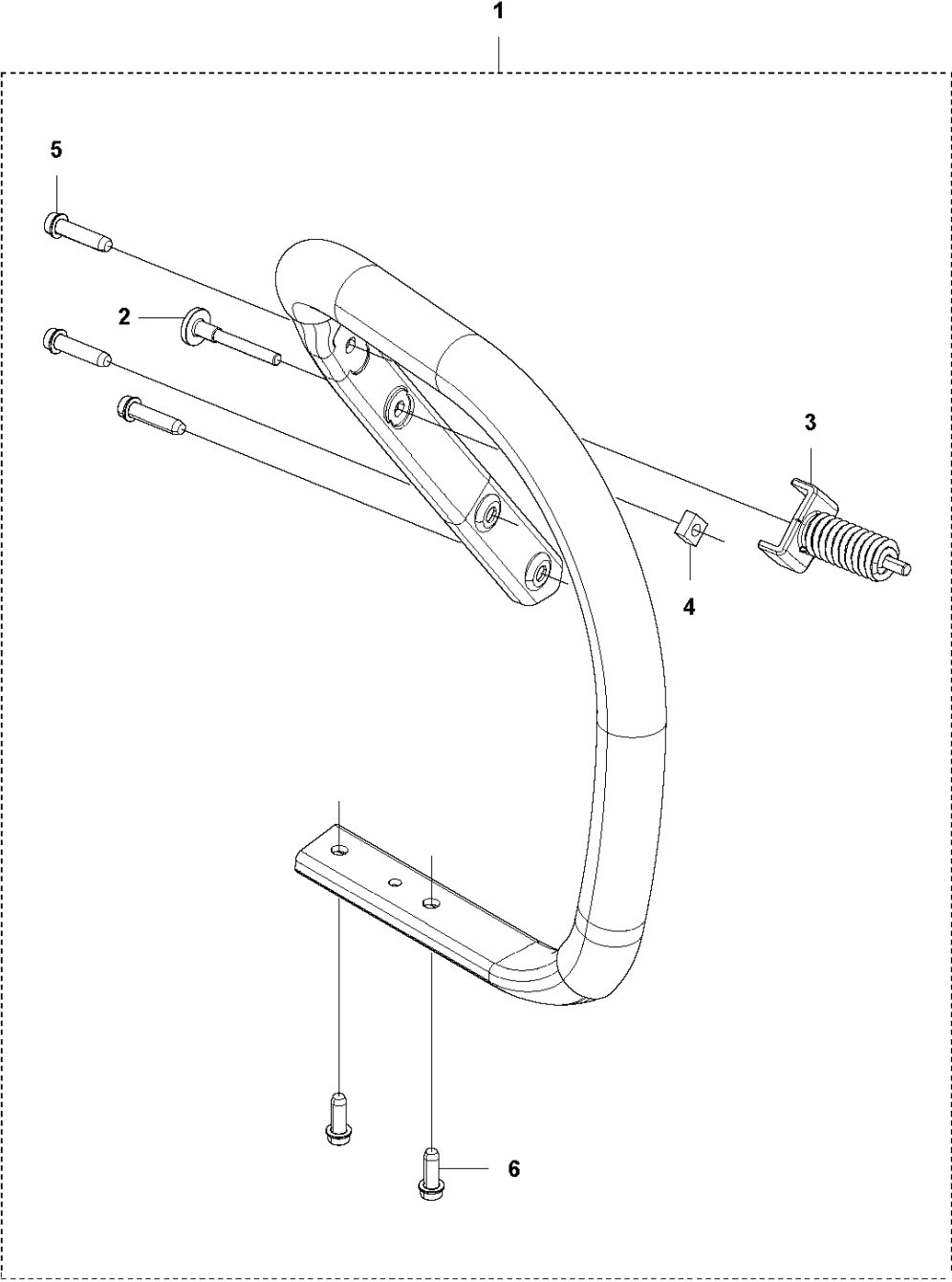
| Ref | Part No | Description | Remark | QTY | KIT |
|-----|--------------|-----------------------|-----------------|-----|-----|
| 1 | 590 19 56-04 | CRANKCASE ASSY | 565 | 1 | |
| 2 | 537 05 13-01 | BAR BOLT | | 2 | 1 |
| 3 | 537 20 30-01 | PIN KNEE-JOINT | | 1 | 1 |
| 4 | 530 02 61-19 | CHECK VALVE | | 1 | 1 |
| 5 | 537 40 35-01 | FILTER | | 1 | 1 |
| 6 | 593 80 60-01 | GUIDE BUSHING | | 2 | 1 |
| 7 | 522 62 00-03 | TANK CAP ASSY | | 1 | |
| 9 | 589 24 11-01 | GASKET | | 1 | 7 |
| 10 | 503 57 89-01 | HOLDER | | 1 | 7 |
| 11 | 575 61 63-01 | CHAIN GUIDE PLATE | | 1 | |
| 12 | 526 22 18-01 | SCREW CITXPANT | | 1 | |
| 13 | 575 84 11-04 | SCREW ITXSCM | | 6 | |
| 14 | 537 37 79-02 | CHAIN CATCHER | | 1 | |
| 15 | 525 82 44-01 | SCREW ITXSCM | | 2 | |
| 16 | 503 89 47-01 | SNAP LOCKING | | 3 | |
| 17 | 525 79 81-03 | SCREW ITXSCFT | | 2 | |
| 18 | 582 17 93-01 | CARBURETTOR AREA BASE | | 1 | |
| 19 | 583 09 84-01 | FIXING WASHER | | 1 | 1 |
| 20 | 525 75 52-02 | SCREW ITXSCFM | | 4 | |
| 21 | 581 55 92-01 | BELLOWS | | 1 | |
| 22 | 503 86 93-01 | SUPPORT | Mounting | 2 | |
| 23 | 589 34 05-02 | AIR NOZZLE | | 1 | |
| 24 | 574 35 35-05 | SCREW ITXSCM | | 1 | |
| 29 | 578 86 47-01 | GASKET KIT | | 1 | |
| 32 | 590 26 10-02 | SPIKE | Kit - Inner Std | 1 | |
| 33 | 582 17 96-01 | SEALING | | 1 | |
| 34 | 589 34 90-01 | SEALING | | 1 | |

J 565
FUEL TANK



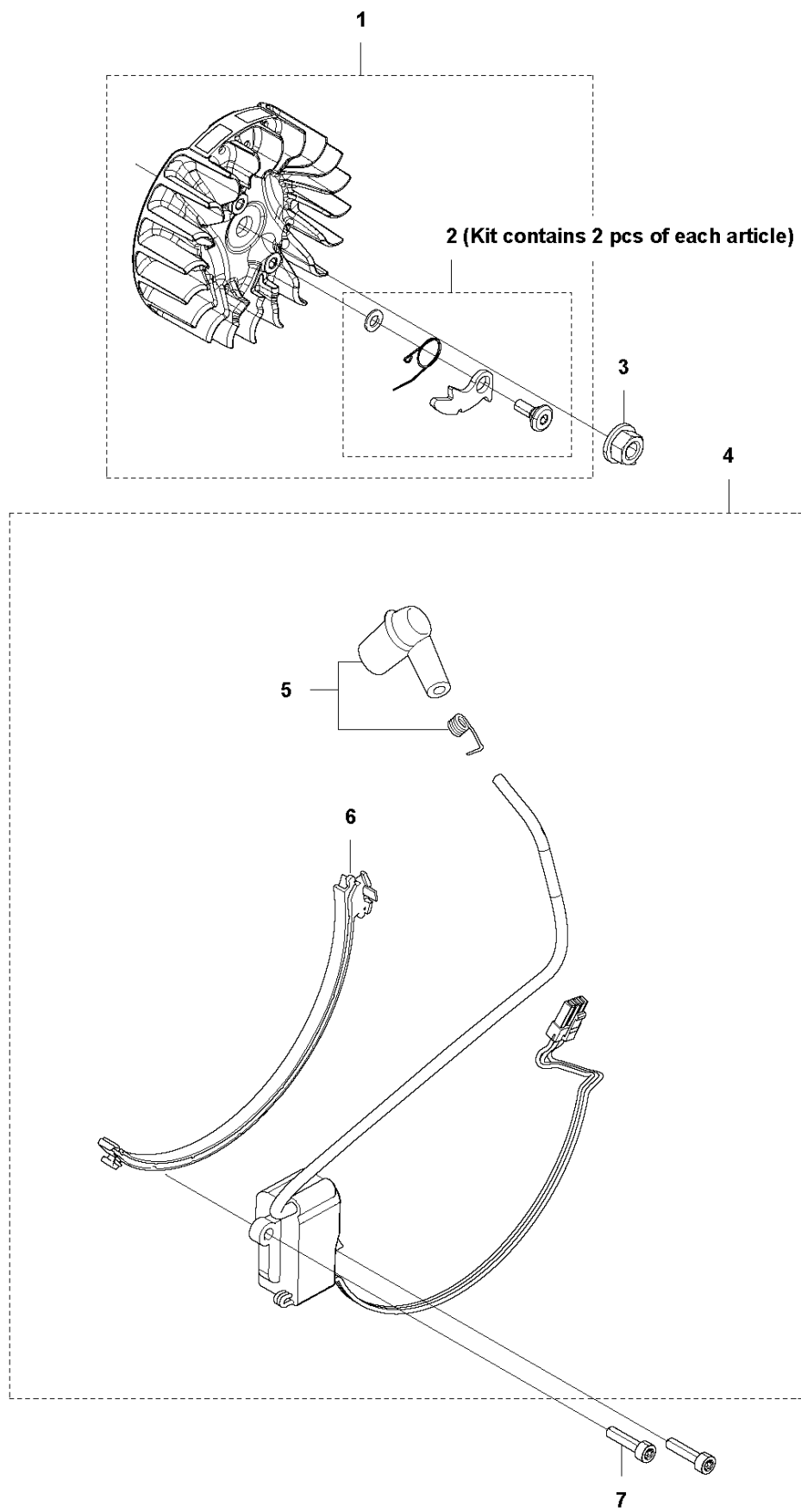
| Ref | Part No | Description | Remark | QTY | KIT |
|-----|--------------|-----------------------|--------|-----|-----|
| 1 | 578 20 07-01 | FUEL TANK ASSY | | 1 | |
| 2 | 501 15 29-01 | TANK VENT ASSY | | 1 | 1 |
| 3 | 537 20 84-01 | THROTTLE LOCKOUT | | 1 | 1 |
| 4 | 576 16 28-02 | THROTTLE CABLE ASSY | | 1 | 1 |
| 5 | 544 09 99-01 | SPRING | | 1 | 1 |
| 6 | 576 95 67-01 | THROTTLE | | 1 | 1 |
| 7 | 720 18 25-20 | PARALLEL PIN | | 1 | 1 |
| 8 | 501 00 76-01 | SUPPORT | | 1 | |
| 9 | 575 01 02-01 | WEAR PROTECTION | | 1 | |
| 10 | 523 08 55-01 | DEFLECTION LIMITER | | 1 | |
| 11 | 577 06 27-02 | ANTIVIBRATION ELEMENT | | 1 | |
| 11 | 577 06 27-01 | ANTIVIBRATION ELEMENT | Hard | 1 | |
| 12 | 503 85 41-04 | ANTIVIBRATION ELEMENT | | 1 | |
| 12 | 503 85 41-03 | ANTIVIBRATION ELEMENT | Hard | 1 | |
| 13 | 577 50 41-01 | FUEL HOSE | | 1 | |
| 14 | 503 44 32-01 | FUEL FILTER | | 1 | |
| 15 | 522 62 00-03 | TANK CAP ASSY | | 1 | |
| 16 | 589 24 11-01 | GASKET | | 1 | 15 |
| 17 | 503 57 89-01 | HOLDER | | 1 | 15 |
| 18 | 525 88 74-02 | SCREW CITXPANT | | 1 | |
| 19 | 537 20 55-01 | COVER | | 1 | |
| 20 | 590 56 70-01 | DECAL | | 1 | 1 |

K 565
HANDLE



| Ref | Part No | Description | Remark | QTY KIT | |
|-----|--------------|-----------------------|--------|---------|---|
| 1 | 579 48 43-03 | FRONT HANDLE ASSY | | 1 | |
| 2 | 504 06 45-01 | SCREW ITXPANM | | 1 | |
| 3 | 575 01 53-01 | ANTIVIBRATION ELEMENT | | 1 | 1 |
| 3 | 575 01 53-03 | ANTIVIBRATION ELEMENT | Hard | 1 | |
| 4 | 503 22 66-01 | SQUARE NUT | | 1 | 1 |
| 5 | 525 79 81-03 | SCREW ITXSCFT | | 3 | 1 |
| 6 | 575 88 57-03 | SCREW ITXSCFM | | 2 | 1 |

L 565
IGNITION SYSTEM

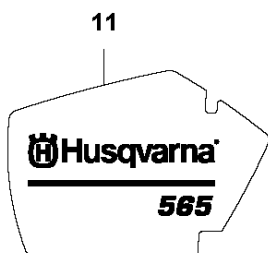
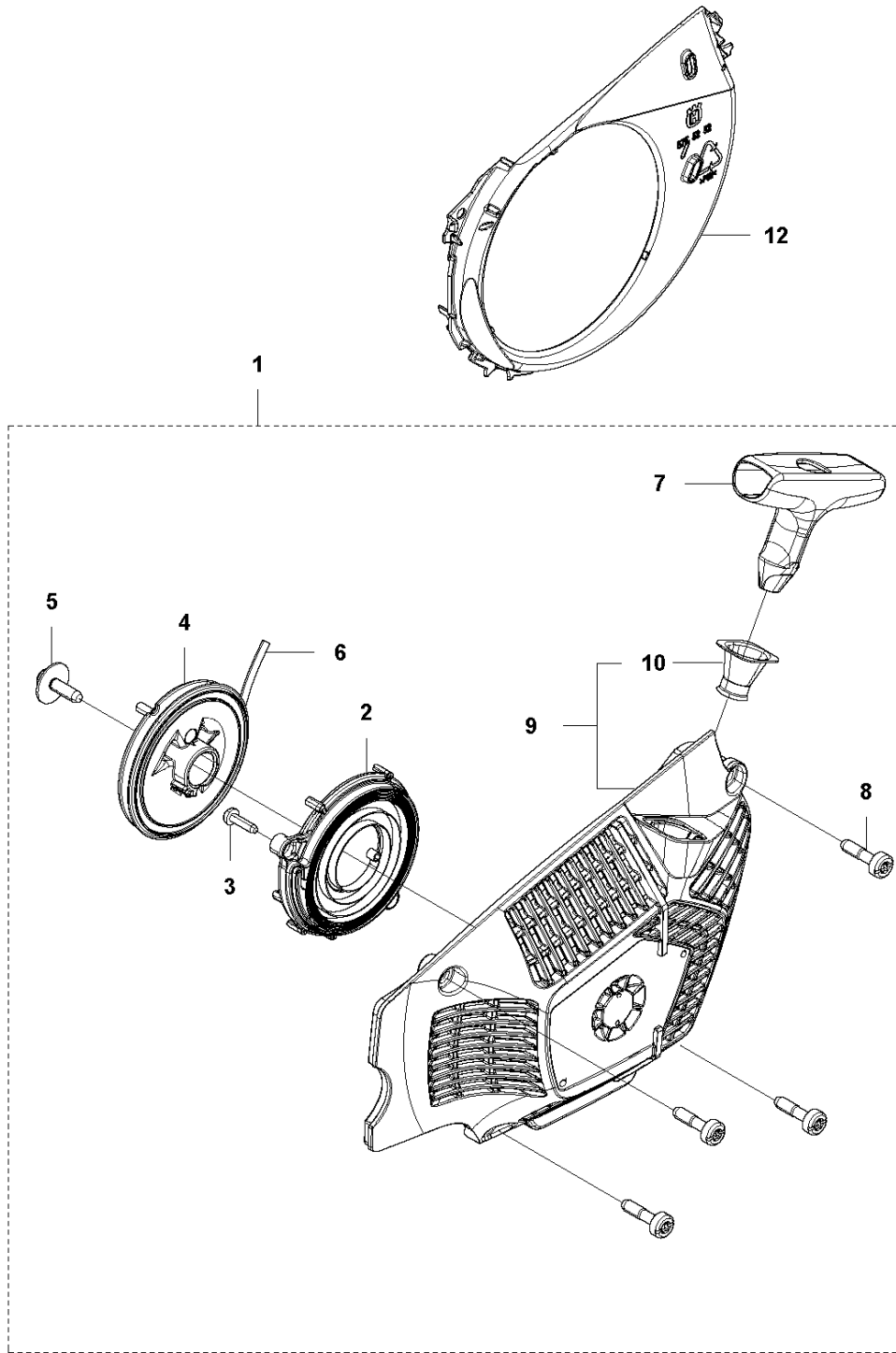


IGNITION SYSTEM

565

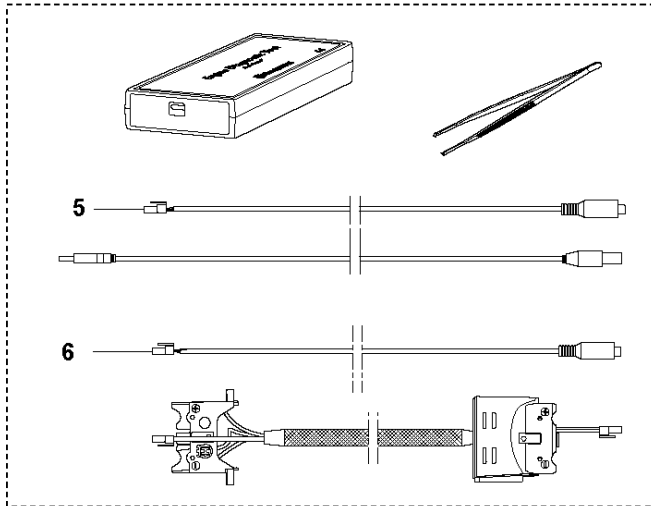
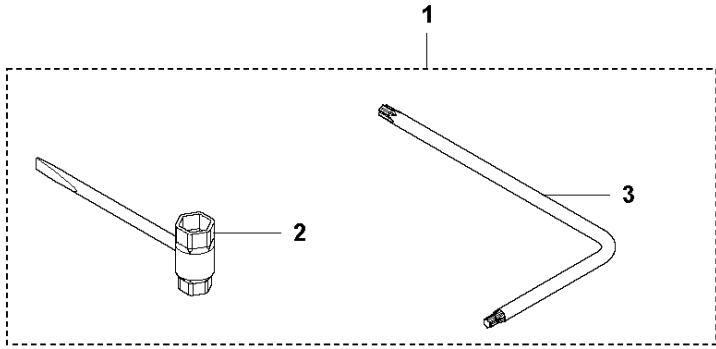
| Ref | Part No | Description | Remark | QTY | KIT |
|-----|--------------|----------------------|--------|-----|-----|
| 1 | 576 77 72-01 | FLYWHEEL ASSY | 565 | 1 | |
| 2 | 590 28 13-01 | PAWL | Kit | 1 | |
| 3 | 503 22 04-01 | NUT | | 1 | |
| 4 | 582 10 50-02 | IGNITION MODULE ASSY | | 1 | |
| 5 | 590 29 88-01 | SPARK PLUG CAP | | 1 | 4 |
| 6 | 579 45 18-01 | WIRE HOLDER | | 1 | 4 |
| 7 | 525 82 49-02 | SCREW ITXSCM | | 2 | |

M 565
STARTER



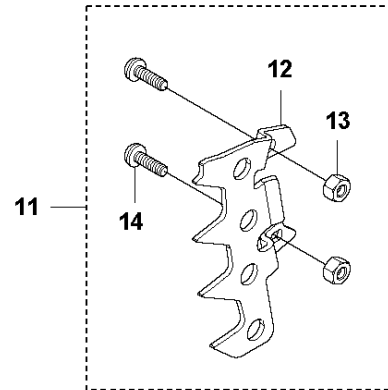
| Ref | Part No | Description | Remark | QTY | KIT |
|-----|--------------|----------------------|--------|-----|-----|
| 1 | 575 52 76-04 | STARTER HOUSING | | 1 | |
| 2 | 505 15 79-02 | SPRING CASSETTE ASSY | | 1 | 1 |
| 3 | 525 88 74-01 | SCREW CITXPANT | | 2 | 1 |
| 4 | 505 15 81-01 | STARTER PULLEY ASSY | | 1 | 1 |
| 5 | 576 35 66-01 | SCREW ITXSCT | | 1 | 1 |
| 6 | 505 30 51-25 | STARTER CORD | | 1 | 1 |
| 7 | 537 23 25-01 | STARTER HANDLE | | 1 | 1 |
| 8 | 525 82 45-01 | SCREW CITXPANMO | | 4 | 1 |
| 9 | 575 52 58-02 | STARTER HOUSING | | 1 | 1 |
| 10 | 537 28 32-01 | SLEEVE | | 1 | 1 |
| 11 | 575 39 64-03 | DECAL | | 1 | |
| 12 | 575 52 52-01 | BAFFLE | | 1 | |

N 565
ACCESSORIES

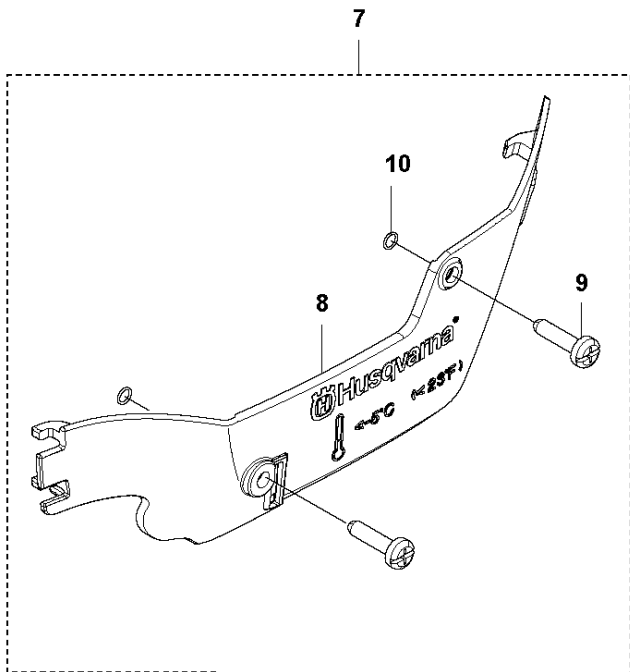


4

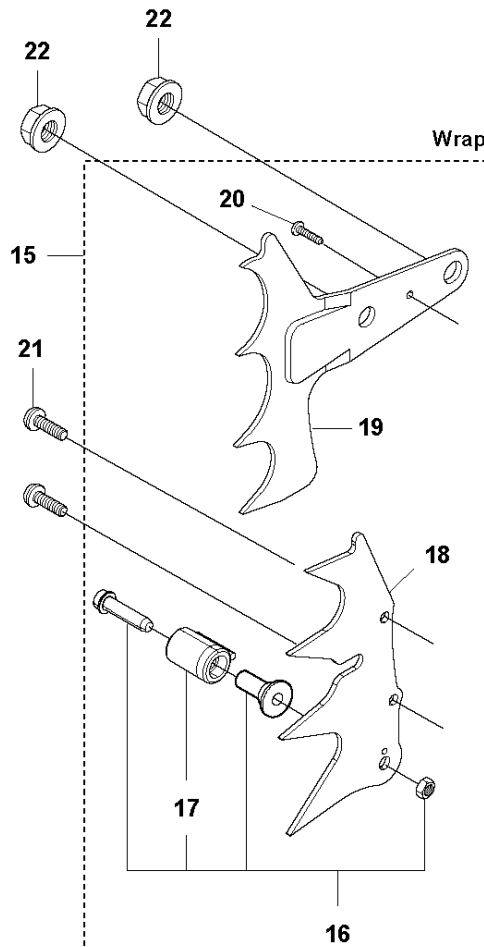
Standard, outer



WINTER KIT 565



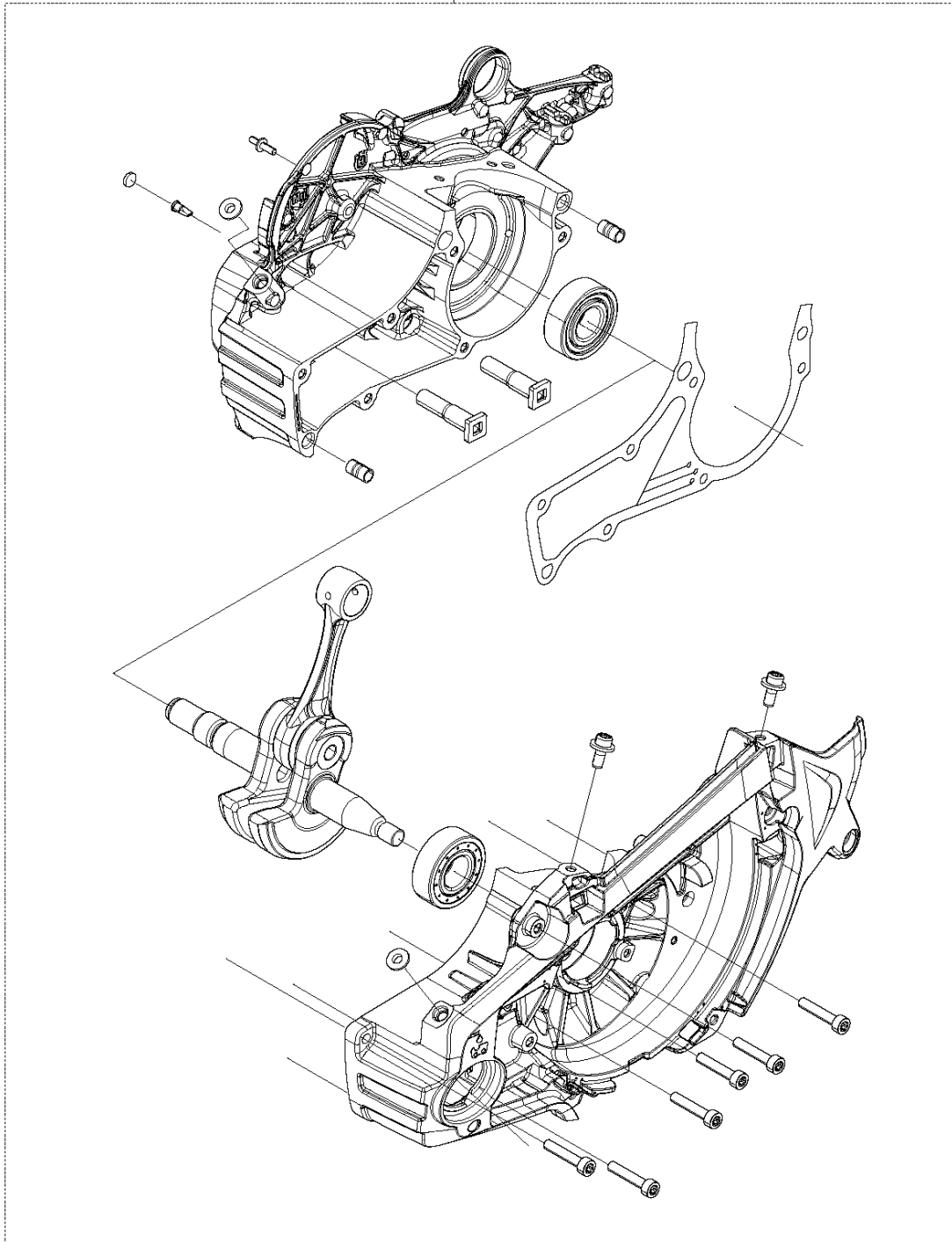
Wrap



| Ref | Part No | Description | Remark | QTY | KIT |
|-----|--------------|---------------------|------------------------|-----|-----|
| 1 | 503 55 85-13 | TOOL | | 1 | |
| 2 | 501 69 17-01 | COMBINATION WRENCH | | 1 | 1 |
| 3 | 575 88 07-01 | WRENCH | | 1 | 1 |
| 4 | 583 89 71-01 | DIAGNOSTIC TOOL KIT | | 1 | |
| 5 | 576 18 34-01 | CABLE ASSY | Diagnostic cable 14Mhz | 1 | 4 |
| 6 | 576 95 22-01 | CABLE ASSY | Diagnostic cable 8Mhz | 1 | 4 |
| 7 | 575 52 75-01 | WINTER KIT | | 1 | |
| 8 | 576 16 26-01 | WINTER COVER | | 1 | 7 |
| 9 | 503 21 70-16 | SCREW CCRPANT | | 2 | 7 |
| 10 | 740 42 01-00 | O-RING | | 2 | 7 |
| 11 | 590 26 10-01 | SPIKE | Std | 1 | |
| 12 | 575 23 65-01 | SPIKE | | 1 | 11 |
| 13 | 503 22 24-01 | LOCK NUT | | 2 | 11 |
| 14 | 525 75 52-02 | SCREW ITXSCFM | | 2 | 11 |
| 17 | 537 02 44-01 | WEAR PROTECTION | | 1 | 16 |
| 18 | 537 01 72-01 | SPIKE | | 1 | 15 |
| 19 | 503 92 27-01 | SPIKE | | 1 | 15 |
| 20 | 525 88 74-02 | SCREW CITXPANT | | 1 | 15 |
| 21 | 525 82 49-02 | SCREW ITXSCM | | 2 | |
| 22 | 503 22 00-01 | HEXAGON NUT | | 2 | |

H2 565 CRANKCASE SHORT BLOCK

1



| Ref | Part No | Description | Remark | QTY KIT |
|-----|--------------|-------------|--------|---------|
| 1 | 582 75 20-02 | SHORT BLOCK | | 1 |

Illustrated Parts List - IPL Update



Product Name(s)

H565

Description of change

1. We have changed material in the conduit to prevent it from twisting on handle.

Comments

This update is fully exchangeable.

Introduced from

| Serial number / Date | Remark |
|----------------------|---|
| s/n 20204900001 | Valid for Front handle assy 579 48 43-03. |
| | |
| | |

IPL updates

| Page Title | Ref. No | New part no | Name | Excl. part no. | Remark |
|------------|---------|--------------|-------------------|----------------|--------|
| Handle | 1 | 579 48 43-03 | Front handle assy | 579 48 43-01 | |
| | | | | | |
| | | | | | |
| | | | | | |
| | | | | | |