

Illustrated Parts List - IPL Update



Product Name(s)

365XT

Description of change

1. Incorporation of new Fuel tank.
Reason: New tank vent assy.
2. New spare part: Tank vent assy 501 15 29-01

Comments

Up to serial number 20184700378: 537 09 93-01* Connection bend
Up to serial number 20184700378: 537 09 22-01* Tank vent assy

From serial number 20184700379: 501 15 29-01 Tank vent assy

Introduced from

Serial number / Date	Remark
20184700379 / 2018-11-20	Fuel tank 544 11 40-13
20184700379 / 2018-11-20	Tank vent assy 501 15 29-01

IPL updates

Page Title	Ref. No	New part no	Name	Excl. part no.	Remark
Fuel tank	1	544 11 40-13	FUEL TANK	544 11 40-07	
	2	-	CONNECTION BEND	537 09 93-01*	*Remain as spare part.
	3	501 15 29-01	TANK VENT ASSY	537 09 22-01*	*Remain as spare part.

Illustrated Parts List - IPL Update

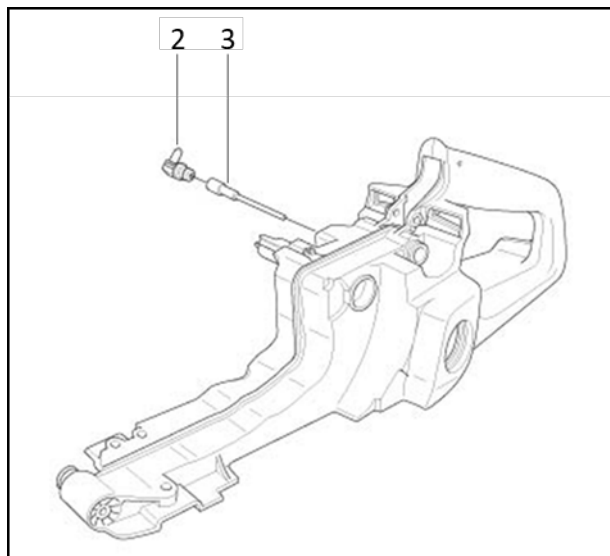
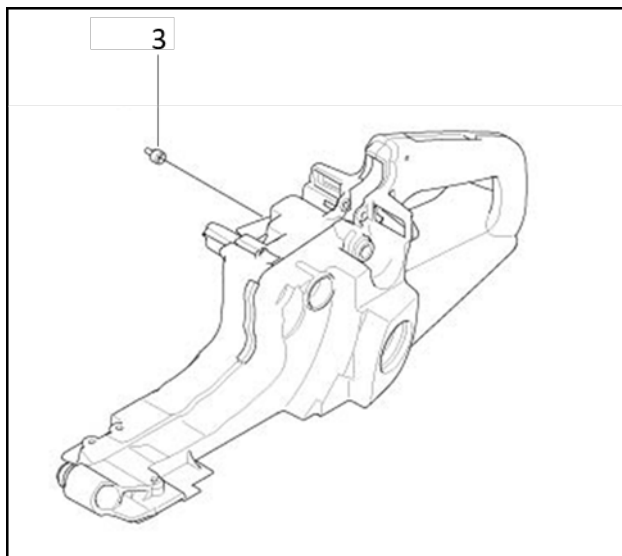


1. Fuel tank

New



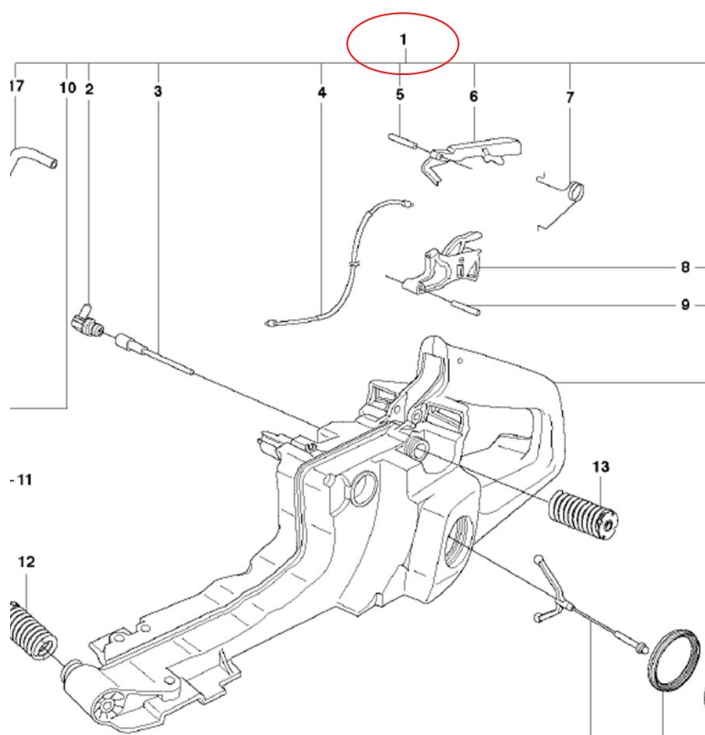
Old



501 15 29-01 Tank vent assy replaces 537 09 22-01* Tank vent assy (pos. 3).

537 09 93-01* Connection bend removed (pos. 2).

**Remains as spare part.*



544 11 40-13 Fuel tank replaces 544 11 40-07 Fuel tank (pos. 1).