

Illustrated Parts List - IPL Update



Product Name(s)

365 X-TORQ

Description of change

1. New Ignition module. Component update. This update does not **solve** misfire when using the decompression valve. An improvement for this will come later.
2. New Clutch with higher specification.
3. Sleeve to cylinder cover. Available as separate spare part

Comments

Fully interchangeable

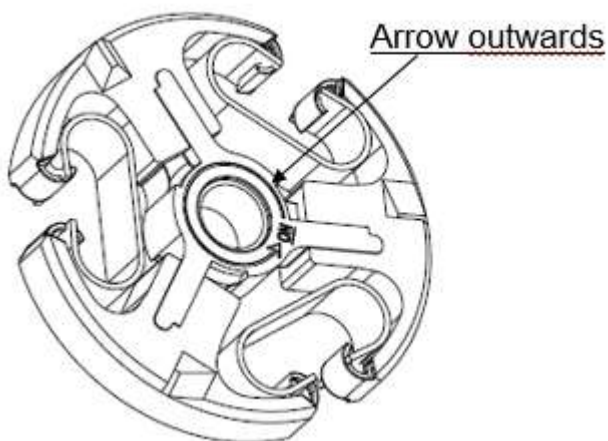
Introduced from

Serial number / Date	Remark
20153800961 -	Ignition module 586 88 03-03
20152700385-	Clutch 586 79 84-01

IPL updates

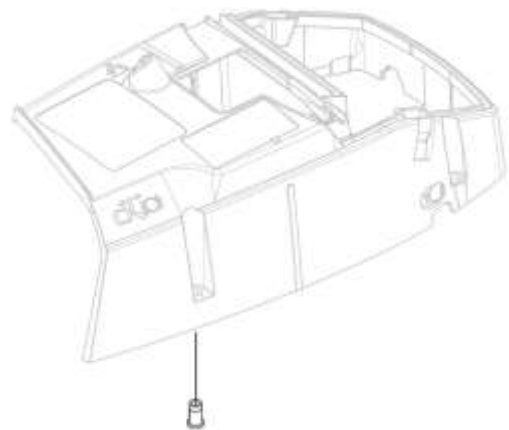
Page Title	Ref. no	New part no	Name	Excl. part no.	Remark
Ignition system	16	586 88 03-03	Ignition module	522 79 54-03 510 11 57-04	
Clutch & Oilpump	20	586 79 84-01	Clutch assy	503 74 44-01	Arrow outwards
Crank shaft	2	586 79 84-01	Clutch assy	503 74 44-01	Arrow outwards
Cylinder cover	7	537 05 59-03	Sleeve		

2. Clutch



586 79 84-01

3. Sleeve



537 05 59-03