

# Illustrated Parts List - IPL Update



Product Name(s)

**365 X-TORQ**

Description of change

1. New screw with torx grip to cylinder cover provides better condition for tightening. Torx wrench added in tool kit.
2. New reinforced recoil spring
3. Tool kit available as spare part and also included in box. Torx wrench added.
4. Spanner NV5 available as spare part
5. Spanner NV4 available as spare part
6. Grease gun available as spare part
7. Grease available as spare part.
8. Torx wrench T27/T20 available as spare part.

Comments

Fully interchangeable

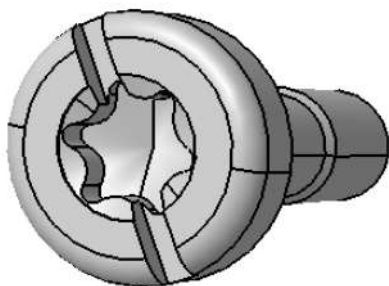
Introduced from

Serial number / Date	Remark
20154200193-	Screw 525 88 70-01
20160300961-	Recoil spring 537 28 36-02
20160900001-	Tool kit 588 79 74-01

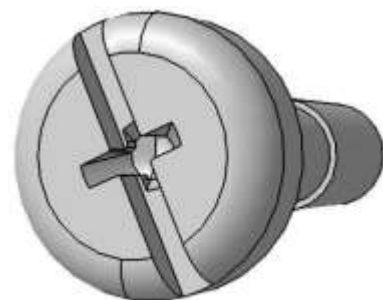
IPL updates

Page Title	Ref. no	New part no	Name	Excl. part no.	Remark
Cylinder cover	3	525 88 70-01	Screw CITXPANMO	503 20 34-74	
Starter	7	537 28 36-02	Recoil spring	503 78 72-01	
Accessories	1	588 79 74-01	Tool,kit	503 55 85-01	New spare part
	3	503 55 86-02	Spanner NV5		New spare part
	4	503 55 86-01	Spanner NV4		New spare part
	5	503 62 12-01	Grease gun		New spare part
	6	501 91 14-01	Grease		New spare part
	9	575 88 07-01	Wrench T27/T20		New spare part

## 1. Screw



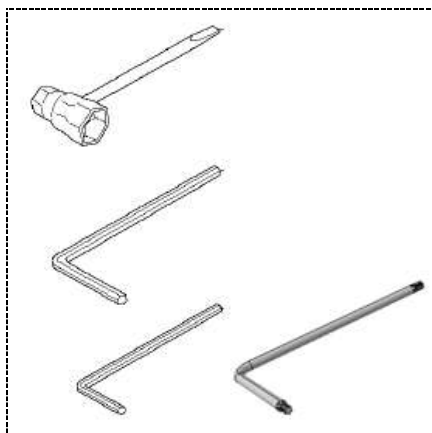
525 88 70-01



503 20 34-74

## Illustrated Parts List - IPL Update

### 3. Tool kit



588 79 74-01

### 4. Spanner NV5



503 55 86-02

### 5. Spanner NV4



503 55 86-01

### 6. Grease gun



501 91 14-01

## Illustrated Parts List - IPL Update



### 7. Grease



503 62 12-01

### 8. Wrench T27/T20



575 88 07-01