

Illustrated Parts List - IPL Update



Product Name(s)

390XP/XPG

Description of change

New Crankshaft with new connecting rod and new big end bearing.
New Short block introduced as spare part.

Reason: Improved durability of crankshaft.

Comments

New article Crankshaft 503 99 34-06 is fully interchangeable.
New article shortblock 598 42 38-01 is fully interchangeable.

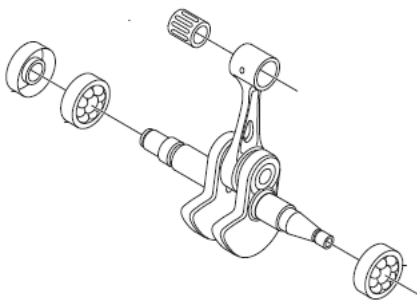
Introduced from

Serial number / Date	Remark
20192700001	CRANKSHAFT ASSY 503 99 34-06
	SHORTBLOCK 598 42 38-01

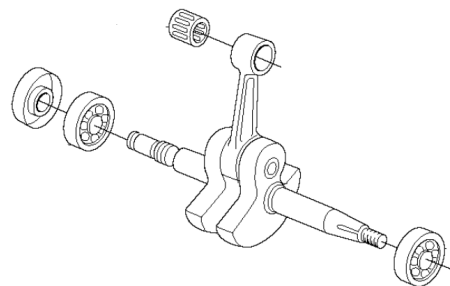
IPL updates

Page Title	Ref. No	New part no	Name	Excl. part no.	Remark
CRANKSHAFT	1	503 99 34-06	CRANKSHAFT	503 99 34-04	
SHORTBLOCK	1	598 42 38-01	SHORTBLOCK		New spare part

CRANKSHAFT



503 99 34-06

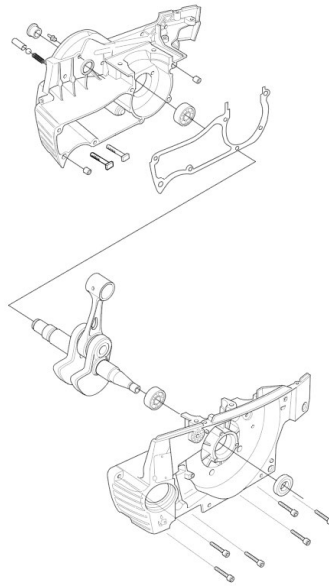


503 99 34-04

Illustrated Parts List - IPL Update



SHORT BLOCK



598 42 38-01