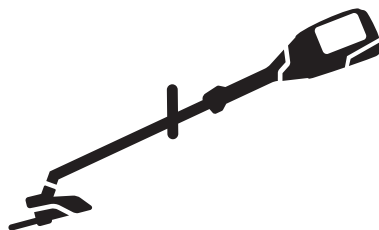




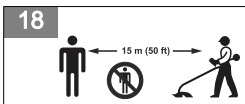
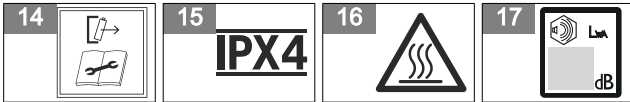
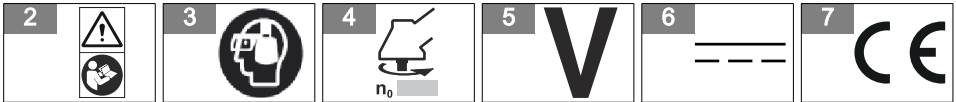
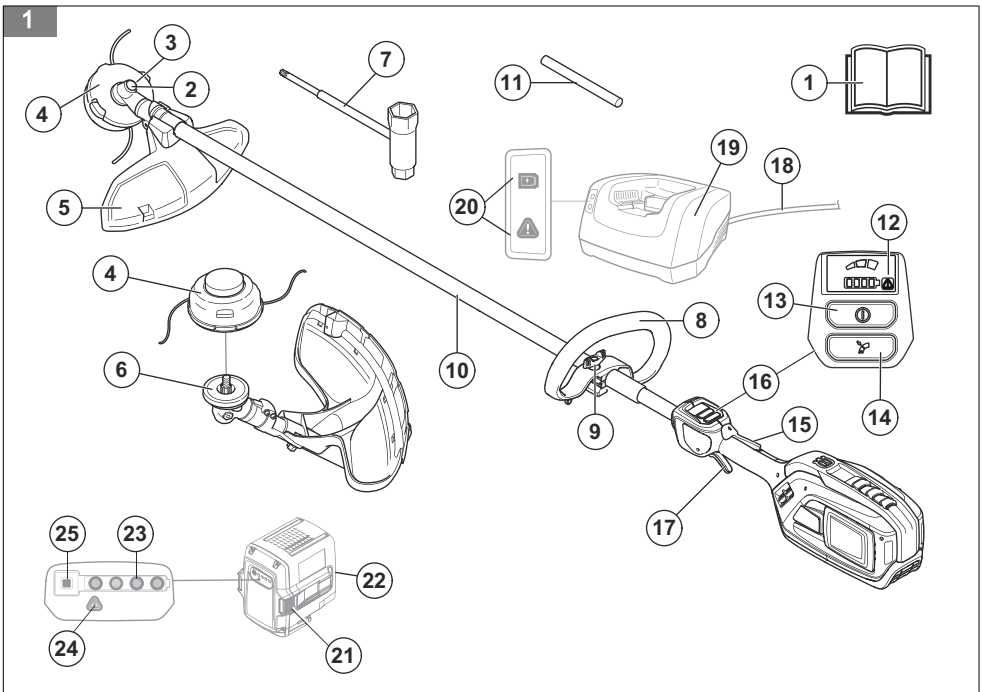
# Husqvarna®



## 325iL



EN	Operator's manual	6-20
BG	Ръководство за експлоатация	21-37
CS	Návod k použití	38-52
DA	Bruksanvisning	53-67
DE	Bedienungsanweisung	68-85
EL	Οδηγίες χρήσης	86-102
ES	Manual de usuario	103-118
ET	Kasutusjuhend	119-132
FI	Käyttöohje	133-146
FR	Manuel d'utilisation	147-162
HR	Priručnik za korištenje	163-176
HU	Használati utasítás	177-191
IT	Manuale dell'operatore	192-206
JA	取扱説明書	207-220
LT	Operatoriaus vadovas	221-235
LV	Lietošanas pamācība	236-250
NL	Gebbruiksaanwijzing	251-266
NO	Bruksanvisning	267-280
PL	Instrukcja obsługi	281-296
PT	Manual do utilizador	297-312
RO	Instrucțiuni de utilizare	313-327
RU	Руководство по эксплуатации	328-344
SK	Návod na obsluhu	345-359
SL	Navodila za uporabo	360-374
SR	Priručnik za rukovaoca	375-389
SV	Bruksanvisning	390-403
TR	Kullanım kılavuzu	404-418
UK	Посібник користувача	419-434
ZH	操作手册	435-446



19



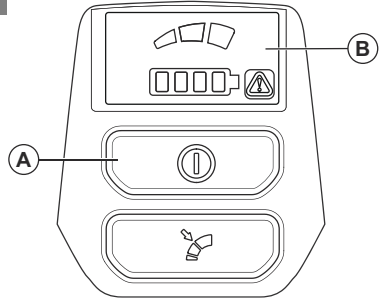
20



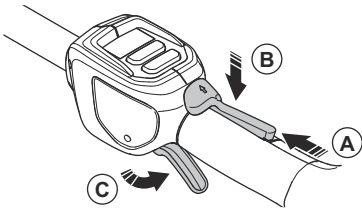
21



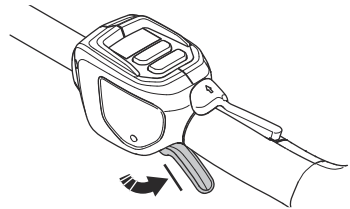
22



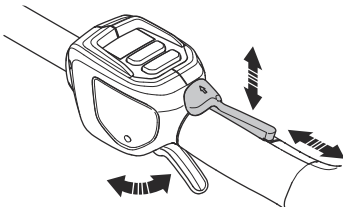
23



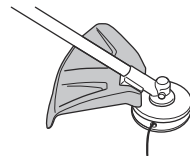
24

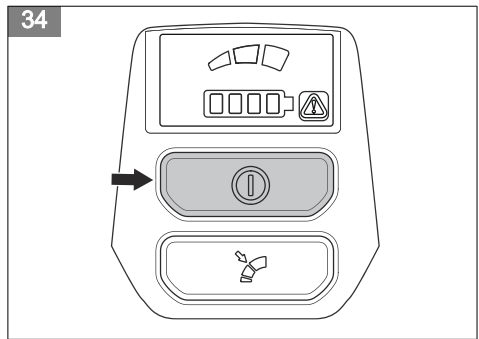
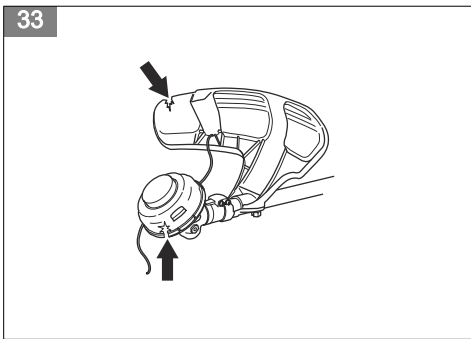
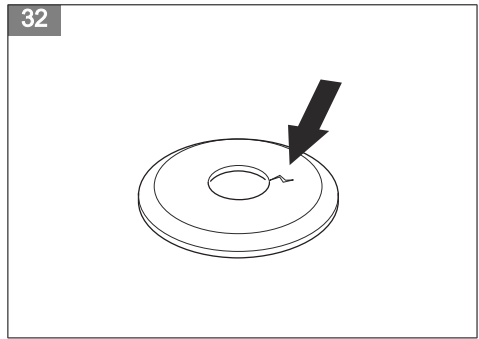
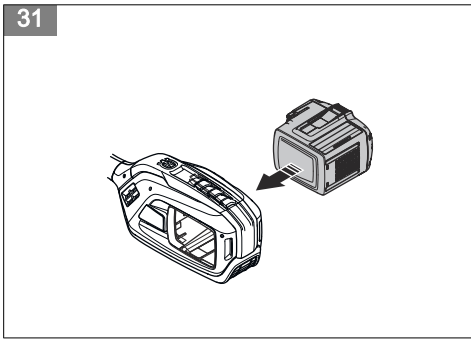
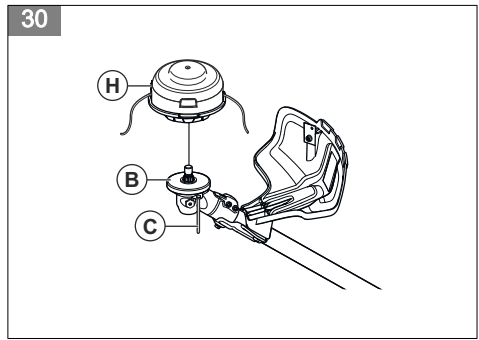
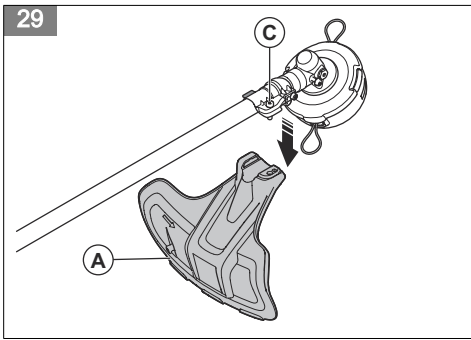
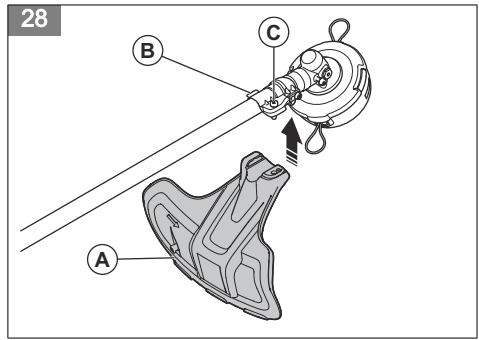
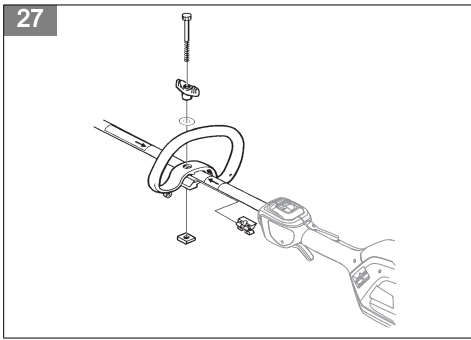


25

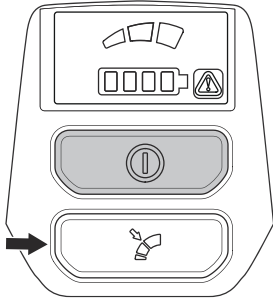


26

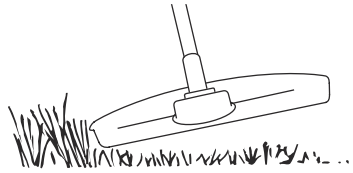




35



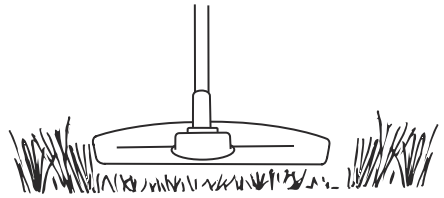
36



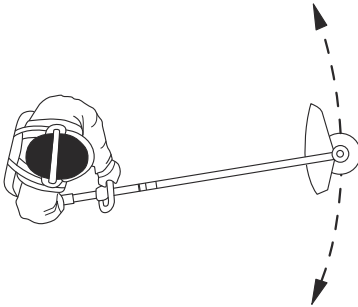
37



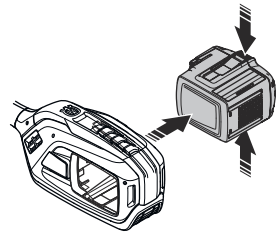
38



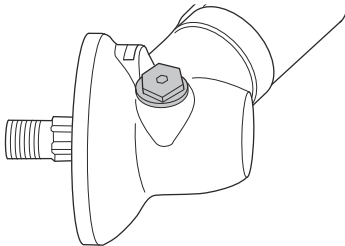
39



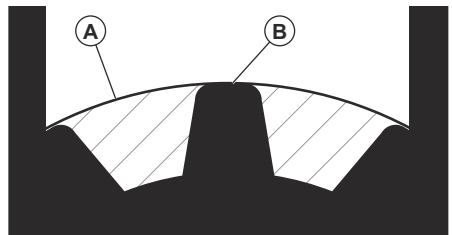
40



41



42



---

# Contents

---

Introduction.....	6	Transportation, storage and disposal.....	16
Safety.....	7	Technical data.....	17
Assembly.....	13	Accessories.....	18
Operation.....	14	Declaration of Conformity.....	19
Maintenance.....	15	Appendix .....	447
Troubleshooting.....	16		

---

## Introduction

---

### Product description

Husqvarna 325iL is a battery grass trimmer with an electrical motor.

Work is constantly in progress to increase your safety and efficiency during operation. Speak to your servicing dealer for more information.

### Intended use

Use the product with a trimmer head to cut different types of vegetation. Do not use the product for other tasks than grass trimming and grass clearing.

### Product overview

(Fig. 1)

1. Operator's manual
2. Bevel gear
3. Hole for locking pin
4. Trimmer head
5. Cutting attachment guard
6. Drive disc
7. Combination wrench
8. Loop handle
9. Knob
10. Shaft
11. Locking pin
12. Warning indicator LED
13. Start/stop button
14. Speed mode button
15. Power trigger lockout
16. User interface
17. Power trigger
18. Battery charger cord
19. Battery charger
20. Power and Warning LED
21. Battery release buttons
22. Battery
23. LED indicator for the state of charge
24. Warning LED
25. Battery indicator button

**Note:** National or local regulations can regulate the use. Comply to given regulations.

---

Only use the product with accessories that are approved by the manufacturer. See *Accessories on page 18*.

### Symbols on the product

- (Fig. 2)      WARNING! This product can be dangerous! Careless or incorrect use can result in serious or fatal injury to the operator or others. It is extremely important that you read and understand the contents of the operator's manual. Please read the operator's manual carefully and make sure you understand the instructions before the product is used.
- (Fig. 3)      Use approved hearing protection. Use approved eye protection.
- (Fig. 4)      Maximum speed or no-load speed.
- XXXX /min  
or min<sup>-1</sup>      |      Revolutions or reciprocations per minute.
- (Fig. 5)      Rated voltage, V
- (Fig. 6)      Direct current.
- (Fig. 7)      The product agrees with the applicable EC directives.
-

- (Fig. 8) This product conforms to the applicable UK regulations. serious eye injuries if the recommended safety equipment is not used.
- (Fig. 9) Use approved protective gloves. (Fig. 14) Disconnect battery before maintenance.
- (Fig. 10) Use heavy-duty slip-resistant boots. (Fig. 15) The product has protection against splashing water.
- (Fig. 11) Only use nonmetallic flexible cutting attachments. (Fig. 16) Keep all parts of your body away from the hot surfaces.
- (Fig. 12) Symbols on the product or its packaging indicate that this product cannot be handled as domestic waste. This product must be deposited at an appropriate recycling facility. (Fig. 17) Noise emission to the environment label as per EU and UK directives and regulations, and New South Wales legislations "Protection of the Environment Operations (Noise Control) Regulation 2017". The guaranteed sound power level of the product is specified in *Technical data on page 17*.
- (Fig. 13) The attachment can forcibly throw objects that can bounce back. This can result in

yyyywwxxxx

The rating plate shows the serial number. **yyyy** is the production year, **ww** is the production week and **xxxx** is the sequential number.

(Fig. 18)

The operator must ensure that no people or animals come closer than 15 metres. When several operators are working at the same site a safety distance of at least 15 metres must be in effect.

**Note:** Other symbols/decals on the product refer to certification requirements for other commercial areas.

## Product damage

We are not responsible for damages to our product if:

- the product is incorrectly repaired.

- the product is repaired with parts that are not from the manufacturer or not approved by the manufacturer.
- the product has an accessory that is not from the manufacturer or not approved by the manufacturer.
- the product is not repaired at an approved service center or by an approved authority.

## Safety

### Safety definitions

Warnings, cautions and notes are used to point out specially important parts of the manual.



**WARNING:** Used if there is a risk of injury or death for the operator or bystanders if the instructions in the manual are not obeyed.



**CAUTION:** Used if there is a risk of damage to the product, other materials or the adjacent area if the instructions in the manual are not obeyed.

**Note:** Used to give more information that is necessary in a given situation.

### General power tool safety warnings



**WARNING: Read all safety warnings, instructions, illustrations and specifications provided with this power tool.** Failure to follow all instructions listed below may result in electric shock, fire and/or serious injury.

- Save all warnings and instructions for future reference.** The term "power tool" in the warnings refers to your mains-operated (corded) power tool or battery-operated (cordless) power tool.

### Work area safety

- Keep work area clean and well lit.** Cluttered or dark areas invite accidents.
- Do not operate power tools in explosive atmospheres, such as in the presence of flammable liquids, gases or dust.** Power tools create sparks which may ignite the dust or fumes.

- **Keep children and bystanders away while operating a power tool.** Distractions can cause you to lose control.

## Electrical safety

- **Power tool plugs must match the outlet. Never modify the plug in any way. Do not use any adapter plugs with earthed (grounded) power tools.** Unmodified plugs and matching outlets will reduce risk of electric shock.
- **Avoid body contact with earthed or grounded surfaces, such as pipes, radiators, ranges and refrigerators.** There is an increased risk of electric shock if your body is earthed or grounded.
- **Do not expose power tools to rain or wet conditions.** Water entering a power tool will increase the risk of electric shock.
- **Do not abuse the cord. Never use the cord for carrying, pulling or unplugging the power tool. Keep cord away from heat, oil, sharp edges or moving parts.** Damaged or entangled cords increase the risk of electric shock.
- **When operating a power tool outdoors, use an extension cord suitable for outdoor use.** Use of a cord suitable for outdoor use reduces the risk of electric shock.
- **If operating a power tool in a damp location is unavoidable, use a residual current device (RCD) protected supply.** Use of a RCD reduces the risk of electric shock.

## Personal safety

- **Stay alert, watch what you are doing and use common sense when operating a power tool. Do not use a power tool while you are tired or under the influence of drugs, alcohol or medication.** A moment of inattention while operating power tools may result in serious personal injury.
- **Use personal protective equipment. Always wear eye protection.** Protective equipment such as dust mask, non-skid safety shoes, hard hat or hearing protection used for appropriate conditions will reduce personal injuries.
- **Prevent unintentional starting. Ensure the switch is in the off-position before connecting to power source and/or battery pack, picking up or carrying the tool.** Carrying power tools with your finger on the switch or energising power tools that have the switch on invites accidents.
- **Remove any adjusting key or wrench before turning the power tool on.** A wrench or a key left attached to a rotating part of the power tool may result in personal injury.
- **Do not overreach. Keep proper footing and balance at all times.** This enables better control of the power tool in unexpected situations.
- **Dress properly. Do not wear loose clothing or jewellery. Keep your hair and clothing away from moving parts.** Loose clothes, jewellery or long hair can be caught in moving parts.

- **If devices are provided for the connection of dust extraction and collection facilities, ensure these are connected and properly used.** Use of dust collection can reduce dust-related hazards.
- **Do not let familiarity gained from frequent use of tools allow you to become complacent and ignore tool safety principles.** A careless action can cause severe injury within a fraction of a second.

## Power tool use and care

- **Do not force the power tool. Use the correct power tool for your application.** The correct power tool will do the job better and safer at the rate for which it was designed.
- **Do not use the power tool if the switch does not turn it on and off.** Any power tool that cannot be controlled with the switch is dangerous and must be repaired.
- **Disconnect the plug from the power source and/or remove the battery pack, if detachable, from the power tool before making any adjustments, changing accessories, or storing power tools.** Such preventive safety measures reduce the risk of starting the power tool accidentally.
- **Store idle power tools out of the reach of children and do not allow persons unfamiliar with the power tool or these instructions to operate the power tool.** Power tools are dangerous in the hands of untrained users.
- **Maintain power tools and accessories. Check for misalignment or binding of moving parts, breakage of parts and any other condition that may affect the power tool's operation. If damaged, have the power tool repaired before use.** Many accidents are caused by poorly maintained power tools.
- **Keep cutting tools sharp and clean.** Properly maintained cutting tools with sharp cutting edges are less likely to bind and are easier to control.
- **Use the power tool, accessories and tool bits etc. in accordance with these instructions, taking into account the working conditions and the work to be performed.** Use of the power tool for operations different from those intended could result in a hazardous situation.
- **Keep handles and grasping surfaces dry, clean and free from oil and grease.** Slippery handles and grasping surfaces do not allow for safe handling and control of the tool in unexpected situations.

## Battery tool use and care

- **Recharge only with the charger specified by the manufacturer.** A charger that is suitable for one type of battery pack may create a risk of fire when used with another battery pack.
- **Use power tools only with specifically designated battery packs.** Use of any other battery packs may create a risk of injury and fire.
- **When battery pack is not in use, keep it away from other metal objects, like paper clips, coins, keys, nails, screws or other small metal objects, that can**



### **make a connection from one terminal to another.**

Shorting the battery terminals together may cause burns or a fire.

- **Under abusive conditions, liquid may be ejected from the battery; avoid contact. If contact accidentally occurs, flush with water. If liquid contacts eyes, additionally seek medical help.** Liquid ejected from the battery may cause irritations or burns.
- **Do not use a battery pack or tool that is damaged or modified.** Damaged or modified batteries may exhibit unpredictable behaviour resulting in fire, explosion or risk of injury.
- **Do not expose a battery pack or tool to fire or excessive temperature.** Exposure to fire or temperature above 130 °C / 266 °F may cause explosion.
- **Follow all charging instructions and do not charge the battery pack or tool outside the temperature range specified in the instructions.** Charging improperly or at temperatures outside the specified range may damage the battery and increase the risk of fire.

## **Service**

- **Have your power tool serviced by a qualified repair person using only identical replacement parts.** This will ensure that the safety of the power tool is maintained.
- **Never service damaged battery packs.** Service of battery packs should only be performed by the manufacturer or authorized service providers.

## **Grass trimmer, brush cutter and brush saw safety warnings**

- **Do not use the machine in bad weather conditions, especially when there is a risk of lightning.** This decreases the risk of being struck by lightning.
- **Thoroughly inspect the area for wildlife where the machine is to be used.** Wildlife may be injured by the machine during operation.
- **Thoroughly inspect the area where the machine is to be used and remove all stones, sticks, wires, bones, and other foreign objects.** Thrown objects can cause personal injury.
- **Before using the machine, always visually inspect to see that the cutter or blade and the cutter or blade assembly are not damaged.** Damaged parts increase the risk of injury.
- **Follow instructions for changing accessories.** Improperly tightened blade securing nuts or bolts may either damage the blade or result in it becoming detached.
- **The rated rotational speed of the cutter must be at least equal to the maximum rotational speed marked on the machine.** Cutters running faster than their rated rotational speed can break and fly apart.
- **Wear eye, ear, head and hand protection.** Adequate protective equipment will reduce personal injury by

flying debris or accidental contact with the cutting line or blade.

- **While operating the machine, always wear non-slip protective footwear. Do not operate the machine when barefoot or wearing open sandals.** This reduces the chance of injury to the feet from contact with a moving cutter, line or blade.
- **While operating the machine, always wear long trousers.** Exposed skin increases the likelihood of injury from thrown objects.
- **Keep bystanders away while operating the machine.** Thrown debris can result in serious personal injury.
- **Always use two hands when operating the machine.** Holding the machine with both hands will avoid loss of control.
- **Hold the machine by the insulated gripping surfaces only, because the cutting line or blade may contact hidden wiring.** Cutting line or blades contacting a "live" wire may make exposed metal parts of the machine "live" and could give the operator an electric shock.
- **Always keep proper footing and operate the machine only when standing on the ground.** Slippery or unstable surfaces may cause a loss of balance or control of the machine.
- **Do not operate the machine on excessively steep slopes.** This reduces the risk of loss of control, slipping and falling which may result in personal injury.
- **When working on slopes, always be sure of your footing, always work across the face of slopes, never up or down and exercise extreme caution when changing direction.** This reduces the risk of loss of control, slipping and falling which may result in personal injury.
- **Keep all parts of the body away from the cutter, line or blade when the machine is operating. Before you start the machine, make sure the cutter, line or blade is not contacting anything.** A moment of inattention while operating the machine may result in injury to yourself or others.
- **Do not operate the machine above waist height.** This helps prevent unintended cutter or blade contact and enables better control of the machine in unexpected situations.
- **When cutting brush or saplings that are under tension, be alert for spring back.** When the tension in the wood fibres is released, the brush or sapling may strike the operator and/or throw the machine out of control.
- **Use extreme caution when cutting brush and saplings.** The slender material may catch the blade and be whipped toward you or pull you off balance.
- **Maintain control of the machine and do not touch cutters, lines or blades and other hazardous moving parts while they are still in motion.** This reduces the risk of injury from moving parts.
- **When clearing jammed material or servicing the machine, make sure all power switches are off and**

**the power cord is disconnected.** Unexpected starting of the machine while clearing jammed material or servicing may result in serious personal injury.

- **Carry the machine with the machine switched off and away from your body.** Proper handling of the machine will reduce the likelihood of accidental contact with a moving cutter, line or blade.
- **When transporting or storing the machine, always fit the cover on metal blades.** Proper handling of the machine will reduce the likelihood of accidental contact with the blade.
- **Only use replacement cutters, lines, cutting heads and blades specified by the manufacturer.** Incorrect replacement parts may increase the risk of breakage and injury.

## Other general safety information

- Deactivate the product before you move to another area. Always remove the battery when passing the product to another person.
- Never put the product down unless you have deactivated it and removed the battery. Do not leave the product unsupervised when it is switched on.
- The cutting tool does not stop immediately after the product is turned off.
- Before using the product and after any impact, check for signs of wear or damage and repair as necessary.
- If anything jams in the cutting attachment while you operate the product, stop and deactivate the product. Make sure that the cutting attachment stops completely. Remove the battery before you clean, inspect or repair the product and/or the cutting equipment.
- Do a check of the product before use. Refer to *Safety devices on the product on page 11* and *Maintenance on page 15*. Do not use a defective product. Do the safety checks, maintenance and service instructions described in this manual.
- Faulty cutting attachment can increase the risk of accidents.
- Check the gear for dirt and cracks. Clean off grass and leaves from the gear using a brush. Gloves should be worn when necessary.
- Always ensure that ventilation openings are kept clear of debris.
- Check that the trimmer head is completely attached to the trimmer.
- All covers, guards and handles must be fitted before starting.
- Check that the product is in perfect working order. Check that all nuts and screws are tight.
- Check that the trimmer head and trimmer guard are not damaged or cracked. Replace the trimmer head or trimmer guard if it has been exposed to impact or are cracked. Always use the recommended guard for the cutting attachment you are using. Refer to *Accessories on page 18*.

- This product is a dangerous tool if you are not careful or if you use the product incorrectly. This product can cause serious injury or death to the operator or others.
- This appliance is not intended for use by persons (including children) with reduced physical, sensory or mental capabilities, or lack of experience and knowledge, unless they have been given supervision or instruction concerning use of the appliance by a person responsible for their safety. Children should be supervised to ensure that they do not play with the appliance.
- Never allow children to use or be in the vicinity of the machine. Since the machine is easy to start, children may be able to start it if they are not kept under full surveillance. This can mean a risk of serious personal injury. Therefore disconnect the battery when the machine is not under close supervision.
- Never allow children or other persons not trained in the use of the product and/or the battery to use or service it.
- Store the equipment in a lockable area so that it is out of reach of children and unauthorized persons.
- Keep hands and feet away from the cutting area at all times and especially when switching on the motor.
- Keep your hands and feet away from the cutting attachment until it has stopped completely when the product is deactivated.
- Do not remove the cut material, or let other persons remove cut material, while the product is activated or the cutting equipment rotates, as this can result in serious injury.
- Keep in mind that it is you, the operator that is responsible for not exposing people or their property to accidents or hazards.
- Under no circumstances may the design of the product be modified without the permission of the manufacturer. Always use original accessories. Non-authorized modifications and/or accessories can result in serious personal injury or the death of the operator or others. Your warranty may not cover damage or liability caused by the use of non-authorized accessories or replacement parts.
- The only accessories you can operate with this product are the cutting attachments recommended in the Accessories chapter. Refer to *Accessories on page 18*.
- Never use a product that has been modified in any way from its original specification
- Never use a product that is faulty. Carry out the safety checks, maintenance and service instructions described in this manual. Some maintenance and service measures must be carried out by trained and qualified specialists. See instructions under the Maintenance heading.
- Working in bad weather is tiring and often brings added risk. Due to the added risk, it is not recommended to use the machine in very bad

weather, for instance in dense fog, heavy rain, strong winds, intense cold, risk of lightning, etc

- Never work from a ladder, stool or any other raised position that is not fully secured.
- Store Idle Appliances Indoors – When not in use, appliances should be stored indoors
- It is not possible to cover every conceivable situation you can face. Always exercise care and use your common sense. Avoid all situations which you consider to be beyond your capability. If you still feel uncertain about operating procedures after reading these instructions, you should consult an expert before continuing.
- Ensure that no people or animals come closer than 15 meters while you work. When several operators are working in the same area the safety distance should be at least 15 metres. Otherwise there is a risk of serious personal injury. Stop the product immediately if anyone approaches. Never swing the product around without first checking behind you to make sure that no one is within the safety zone.
- Ensure that people, animals or other things can not affect your control of the product or that they do not come in contact with the cutting attachment or loose objects that are thrown out by the cutting attachment. However, do not use the product unless you are able to call for help in the event of an accident.
- Make sure that you can move and stand safely. Check the area around you for possible obstacles (roots, rocks, branches, ditches, etcetera) in case you have to move suddenly. Take great care when you work on sloping ground.
- Walk, never run.
- Inspect the working area. Remove all loose objects, such as stones, broken glass, nails, steel wire, string etc. that could be thrown out or become wrapped around the cutter or cutter guard.
- Watch out for stumps of branches that can be thrown out when you cut. Do not cut too close to the ground where stones and other objects can be thrown out.
- Make sure that no clothes or parts of the body come in contact with the cutting attachment when the product is activated. Keep the product below waist level.
- Watch out for thrown objects. Always wear approved eye protection. Never lean over the cut-ting attachment guard. Stones, rubbish, etc., can be thrown up into the eyes which can cause blindness or serious injury.
- Listen out for warning signals or shouts when you wear hearing protection. Always remove your hearing protection as soon as the product stops.
- If any unwanted vibrations occur, tap out new line to give the line the correct length to stop the vibrations.
- If the product starts vibrating abnormally, stop the product and remove the battery.
- Overexposure to vibration can lead to circulatory damage or nerve damage in persons who have

poor circulation. Speak to your physician if you experience symptoms of overexposure to vibration. Such symptoms include numbness, loss of feeling, tingling, pricking, pain, loss of strength, changes in skin color or condition. These symptoms usually show in the fingers, hands or wrists.

- Always hold the product with both hands. Hold the product on the right side of your body.

## Personal protective equipment



**WARNING:** Read the warning instructions that follow before you use the product.

- Always use approved personal protective equipment when you use the product. Personal protective equipment cannot fully prevent injury but it decreases the degree of injury if an accident does occur. Let your dealer help you select the right equipment.
- Use a protective helmet where there is a risk of falling objects.
- Use approved hearing protection that provides adequate noise reduction. Long-term exposure to noise can result in permanent hearing impairment.
- Use approved eye protection. If you use a visor, you must also use approved protective goggles. Approved protective goggles must comply with the ANSI Z87.1 standard in the USA or EN 166 in EU countries.
- Use a visor for face protection. A visor is not enough for protection of the eyes.

(Fig. 19)

- Use gloves when necessary, for example when you attach, examine or clean the cutting equipment.
- Use sturdy non-slip boots.
- Use clothing made of a strong fabric. Always use heavy, long pants and long sleeves. Do not use loose clothing that can catch on twigs and branches. Do not wear jewelry, short pants, sandals or go with bare feet. Put your hair up safely above shoulder level.

(Fig. 20)

- Keep first aid equipment close at hand.

(Fig. 21)

## Safety devices on the product



**WARNING:** Read the warning instructions that follow before you use the product.

In this section the product's safety features, its purpose and how checks and maintenance should be carried out to ensure that it operates correctly. See instructions under the heading *Introduction on page 6* to find where these parts are located on your product.

The life span of the product can be reduced and the risk of accidents can increase if product maintenance is not carried out correctly and if service and/or repairs are not carried out professionally. If you need further information please contact your nearest servicing dealer.



**WARNING:** Never use a product with damaged safety components. The product's safety equipment must be inspected and maintained as described in this section. If your product fails any of these checks, contact your service agent to get it repaired.



**CAUTION:** All servicing and repair work on the machine requires special training. This is especially true of the machine's safety equipment. If your machine fails any of the checks described below you must contact your service agent. When you buy any of our products we guarantee the availability of professional repairs and service. If the retailer who sells your machine is not a servicing dealer, ask him for the address of your nearest service agent.

### To do a check of the user interface

1. Press and hold the start/stop button (A).
  - a) The product is on when the display (B) comes on. (Fig. 22)
  - b) The product is off when the display goes off.
2. If the warning indicator on the display is on or flashes, refer to *User interface on page 16*.

### To do a check of the power trigger lockout

The power trigger lockout is designed to prevent accidental operation. When you push the power trigger lockout forward (A) and then press the power trigger lockout against the handle (B), the power trigger (C) is released. When you release the handle, the power trigger and the power trigger lockout both move back to their original positions. This movement is operated by three independent springs. (Fig. 23)

1. Make sure that the power trigger is locked when the power trigger lockout is in its original position. (Fig. 24)
2. Press the power trigger and make sure it returns to its original position when you release it. (Fig. 25)
3. Make sure that the power trigger and the power trigger lockout moves freely and that the return spring operates correctly.
4. Start the product, refer to *To start the product on page 14*.
5. Apply full speed.

6. Release the power trigger and make sure that the cutting attachment stops and remains still.

### To do a check of the cutting attachment guard



**WARNING:** Do not use a cutting attachment without an approved and correctly attached cutting attachment guard. Always use the recommended cutting attachment guard for the cutting attachment that you use, see *Accessories on page 18*. If an incorrect or faulty cutting attachment guard is attached this can cause serious personal injury.

The cutting attachment guard stops objects that ejects in the direction of the operator. It also prevents injuries that occur if you touch the cutting attachment.

1. Stop the product and remove the battery.
2. Do a visual check for damages, for example cracks. (Fig. 26)
3. Replace the cutting attachment guard if it is damaged.

### Trimmer head

- Always use the correct trimmer head, cutting attachments and always use the recommended trimmer line. Refer to *Accessories on page 18* and the assembly in the end of the Manual.
- Make sure that the cutter on the trimmer guard is not damaged.
- Make sure that the trimmer line is wound tightly and equally around the drum to prevent unusual vibrations from the product. Different cord lengths can result in vibrations that are not necessary. Tap the trimmer head to get correct length on the cord.

To increase the life of the cord it can be soaked in water for 2 days or more before assembly. This will make the cord more resistant.

### Safety instructions for assembly



**WARNING:** Read, understand and obey these instructions carefully before you use the product.

- Remove the battery from the product before you assemble the product.
- Use approved protective gloves.
- A guard that is damaged or does not operate correctly can cause injury. Do not use a cutting attachment that does not have an approved guard attached.
- Make sure that you assemble the cover and shaft correct before you start the product.
- The drive disc and support flange must engage correctly in the centre hole of the cutting attachment.

A cutting attachment that is attached incorrectly can cause injury or death.

- If a harness is supplied with the attachment, the harness must be correctly attached to the product. The harness makes operation safe and prevents injury to the operator or other persons.

## Safety instructions for maintenance



**WARNING:** Read the warning instructions that follow before you do maintenance on the product.

- Remove the battery before you do maintenance, other checks or assemble the product.
- The operator must only do the maintenance and servicing shown in this operator's manual. Turn to your servicing dealer for maintenance and servicing of a larger extension.

- Do not clean the battery or the battery charger with water. Strong detergent can cause damage to the plastic.
- If you do not do maintenance, it decreases the life cycle of the product and increases the risk of accidents.
- Special training is necessary for all servicing and repair work, especially for the safety devices on the product. If not all checks in this operator's manual are approved after you have done maintenance, turn to your servicing dealer. We guarantee that there are professional repairs and servicing available for your product.
- Only use original spare parts.
- Always use heavy duty gloves when you repair the cutting attachment. The blades are very sharp and can easily cause injuries.

## Assembly

### To assemble the loop handle

1. Attach the loop handle onto the shaft between the arrows. Do not place loop handle or suspension ring on label. (Fig. 27)
2. Move the spacer into the slot of the loop handle.
3. Attach the nut, the knob and the screw, do not make it to tight.
4. Adjust the product to a comfortable position.
5. Tighten the bolt.

### To assemble the cutting equipment

The cutting equipment includes a cutting attachment and a cutting attachment guard.



**WARNING:** Use protective gloves.



**WARNING:** Always use the cutting attachment guard that is recommended for the cutting attachment. See *Technical data on page 17*.



**WARNING:** An incorrectly attached cutting attachment can result in injury or death.

### To attach the cutting attachment guard

1. Attach the cutting attachment guard (A) to the hook on the plate holder (B). (Fig. 28)
2. Install the cutting attachment guard on the shaft and tighten it with the bolt (C).

### To remove the cutting attachment guard

- Loosen the bolt (C) and remove the cutting attachment guard (A) from the shaft. (Fig. 29)

### Assembly of trimmer heads



**WARNING:** When you install the cutting attachment it is very important that the raised section on the drive disc/support flange engages correctly in the centre hole of the cutting attachment. If you install the cutting attachment incorrectly, it can result in serious and/or fatal personal injury.



**WARNING:** Never use a cutting attachment without an approved guard. Refer to *Accessories on page 18*. If an incorrect or faulty guard is fitted, this can cause serious personal injury.

### To attach the trimmer head

1. Put the drive disc (B) on the output shaft.
2. Turn the output shaft to align one of the holes in the drive disc with the related hole in the gear housing.
3. Put the locking pin (C) in the hole to lock the shaft.
4. Turn the trimmer head (H) counterclockwise to attach. (Fig. 30)

### To remove the trimmer head

1. Put the locking pin (C) in the hole to lock the shaft.
2. Turn the trimmer head (H) clockwise to remove it.
3. Remove the drive disc (B) from the output shaft. (Fig. 30)

---

# Operation

---

## Introduction



**WARNING:** Read and understand the safety chapter before you use the product.

## To connect the battery to the product



**WARNING:** Only use Husqvarna original batteries with the product.

1. Make sure that the battery is fully charged.
2. Push the battery into the battery holder of the product. The battery locks into position when you hear a click. (Fig. 31)



**CAUTION:** If the battery does not move easily into the battery holder, the battery is not installed correctly. This can cause damage to the product.

3. Make sure that the battery is installed correctly.

## Work position

- Hold the product with 2 hands.
- Hold the product on the right side of your body.
- Keep the cutting attachment below waist level.
- Keep body parts away from the hot surfaces.
- Keep body parts away from the cutting attachment.

## Before you operate the product

- Examine the work area to make sure that you know the type of terrain, the slope of the ground and if there are obstacles such as stones, branches and ditches.
- Do an overhaul inspection of the product.
- Do the safety inspections, maintenance and servicing that are given in this manual.
- Make sure that all covers, guards, handles and the cutting equipment are correctly attached and not damaged.
- Examine the support flange for cracks. Replace the support flange if it is damaged.

(Fig. 32)

- Examine the trimmer head and cutting attachment guard for damages or cracks. Replace the trimmer head and cutting attachment guard if they have been hit or if they have cracks.

(Fig. 33)

## To start the product

1. Push and hold the start button until the green LED comes on. (Fig. 34)
2. Use the power trigger to control the speed.

## To limit the maximum speed with the mode button

The product has a mode button. With the mode button the operator can limit the maximum speed. The mode button has 3 speed levels. A lower level increases the time of operation for the product. Use level 1 and level 2 if the operation does not require full speed/full power. If the operation condition requires full speed/full power, use level 3. Do not use a higher level than necessary for the operation.

1. Push the mode button to set a limit to the maximum speed. The white LEDs comes on to show that the function is on. (Fig. 35)
2. Push the mode button again to choose the next speed level.

## Automatic shutdown function

The product is equipped with a shutdown function that deactivates the product if it is not used.

## Grass trimming with a trimmer head

### To trim the grass

1. Hold the trimmer head immediately above the ground at an angle. (Fig. 36) Do not push the grass trimmer line into the grass.
2. Use 80 % speed when you cut grass near objects. (Fig. 37)

### To cut the grass

1. Make sure that the grass trimmer line is parallel to the ground when you cut. (Fig. 38)
2. Do not push the trimmer head to the ground. The ground and the product can be damaged.
3. Do not let the trimmer head touch the ground continuously, it can cause damage to the trimmer head.
4. Use full speed when you move the product from side to side to cut grass. (Fig. 39) Make sure that the grass trimmer line is parallel to the ground.

### To sweep the grass

The airflow from the rotating trimmer cord can be used to remove cut grass from an area.

1. Hold the trimmer head and its cord parallel to the ground and above the ground.

2. Apply full speed.
3. Move the trimmer head from side to side and sweep the grass.

parts of the trimmer head and clean it if necessary.



**WARNING:** Clean the trimmer head cover each time you assemble new trimmer cord to prevent unbalance and vibrations in the handles. Also do a check of the other

## To stop the product

1. Release the power trigger or the power trigger lockout.
2. Push the stop button. (Fig. 34)
3. Push the release buttons on the battery and pull the battery out. (Fig. 40)

## Maintenance

### Introduction



**WARNING:** Before you do any maintenance work you must read and understand the safety chapter.

### Maintenance schedule



**WARNING:** Remove the battery before you do maintenance.

The following is a list of the maintenance steps that you must do on the product.

Maintenance	Daily	Weekly	Monthly
Clean the external parts of the product with a dry cloth. Do not use water.	X		
Examine that the start and stop button works correctly and is not damaged.	X		
Make sure that the power trigger and the power trigger lockout function correctly from a safety point of view.	X		
Make sure that all controls work and are not damaged.	X		
Keep the handles dry, clean and free from oil and grease.	X		
Make sure that the cutting attachment is not damaged. Replace the cutting attachment if it is damaged.	X		
Make sure that the cutting attachment guard or knife is not damaged. Replace the cutting attachment guard or knife if it is damaged.	X		
Make sure that the screws and nuts are tight.	X		
Make sure that the battery release buttons on the battery works and locks the battery in the product.	X		
Make sure that the battery is not damaged.	X		
Make sure that the battery is charged.	X		
Make sure that the battery charger is not damaged and operates correctly.	X		
Examine all cables, couplings and connections. Make sure they are not damaged and free from dirt.		X	
Make sure that the bevel gear is filled correctly with grease, refer to <i>To lubricate the bevel gear on page 16</i> . If not, use Husqvarna bevel gear grease.		X	
Do a check of the connections between the battery and the product. Do a check of the connection between the battery and the battery charger.			X

## To clean the product, the battery and the battery charger

1. Clean the product with a dry cloth after use.
2. Clean the battery and battery charger with a dry cloth. Keep the battery guide tracks clean.
3. Make sure that the terminals on the battery and the battery charger are clean before the battery is put in the battery charger or the product.

## To lubricate the bevel gear

1. Remove the cutting equipment.
2. Put the product with the grease plug at its highest position.

3. Remove the grease plug. (Fig. 41)
4. Look into the grease plug hole and turn the drive shaft. The grease level (A) must be in level with the top of the gear cogs (B). (Fig. 42)
5. If the grease level is too low fill the bevel gear with Husqvarna bevel gear grease. Fill slowly and turn the drive shaft as you apply the bevel gear grease, stop at the correct level (B).



**CAUTION:** An incorrect quantity of grease can cause damage to the bevel gear.

6. Install the grease plug.

## Troubleshooting

### User interface

Problem	Possible faults	Possible action
Battery LED indicator flashes or orange	Low battery voltage.	Charge the battery.
Error LED flashes red	Overload.	The cutting attachment is jammed. Stop the product. Remove the battery. Clean the cutting attachment from unwanted materials.
	Temperature deviation.	Let the product cool down.
	The power trigger and the activate button are pressed at the same time.	Release the power trigger and the product is active.
The product does not start	Dirt in the battery connectors.	Clean the battery connectors with compressed air or a soft brush.
Error LED is lit with red light	The product needs servicing.	Contact your servicing agent.

## Transportation, storage and disposal

### Transportation and storage

- The supplied Li-ion batteries obey the Dangerous Goods Legislation requirements.
- Obey the special requirement on package and labels for commercial transportation, including by third parties and forwarding agents.
- Speak to a person with special training in dangerous material before you send the product. Obey all applicable national regulations.
- Use tape on open contacts when you put the battery in a package. Put the battery in the package tightly to prevent movement.
- Remove the battery for storage or transportation.
- Put the battery and the battery charger in a space that is dry and free from moisture and frost.
- Do not keep the battery in an area where static electricity can occur. Do not keep the battery in a metal box.
- Put the battery in storage where the temperature is between 5°C/41°F and 25°C/77°F and away from open sunlight.
- Put the battery charger in storage where the temperature is between 5°C/41°F and 45°C/113°F and away from open sunlight.
- Use the battery charger only when the surrounding temperature is between 5°C/41°F and 40°C/104°F.



- Charge the battery 30% to 50% before you put it in storage for long periods.
- Put the battery charger in storage in a space that is closed and dry.
- Keep the battery away from the battery charger during storage. Do not let children and other not approved persons to touch the equipment. Keep the equipment in a space that you can lock.
- Clean the product and do a full servicing before you put the product in storage for a long time.
- Use the transportation guard on the product to prevent injuries or damage on the product during transportation and storage.

- Attach the product safely during transportation.

## Disposal of the battery, battery charger and product

Symbols on the product or the package of the product means that the product is not domestic waste. Recycle it at a recycling station for electrical and electronic equipment. This helps to prevent damage to the environment and to persons.

Get in touch with your local authorities, domestic waste service or your dealer for more information about how to recycle your product.

---

## Technical data

---

### Technical data

	<b>325iL</b>
<b>Motor</b>	
Motor type	BLDC (brushless) 36V
Speed of output shaft, 1/min	5800
Cutting width, mm	420
<b>Weight</b>	
Weight without battery and cutting attachment, kg	3.0
<b>Noise emissions <sup>1</sup></b>	
Sound power level, measured dB (A)	93
Sound power level, guaranteed L <sub>WA</sub> dB (A)	96
<b>Noise levels <sup>2</sup></b>	
Equivalent sound pressure level at the operator's ear, measured according to ISO 22868, dB (A):	
Equipped with trimmer head (original)	84
<b>Vibration levels <sup>3</sup></b>	
Vibration levels at handles, measured according to ISO 22867, m/s <sup>2</sup>	
Equipped with trimmer head (original), Front/Rear, m/s <sup>2</sup>	4.3/2.9

<sup>1</sup> Noise emissions in the environment measured as sound power (LWA) in conformity with EC directive 2000/14/EC. Reported sound power level for the machine has been measured with the original cutting attachment that gives the highest level. The difference between guaranteed and measured sound power is that the guaranteed sound power also includes dispersion in the measurement result and the variations between different machines of the same model according to Directive 2000/14/EC.

<sup>2</sup> Reported data for sound pressure level for the machine has a typical statistical dispersion (standard deviation) of 3 dB (A) and has been measured with the original attachment that gives the highest level.

<sup>3</sup> Reported data for vibration level has a typical statistical dispersion (standard deviation) of 2 m/s<sup>2</sup>. For comparison of vibrations levels, battery and combustion products use vibration calculator. <https://www.husqvarna.com/uk/services-solutions/vibration-calculator/>.

## Approved batteries

<b>Battery</b>	<b>BLi 200</b>
Type	Lithium-ion
Battery capacity, Ah	5.2
Nominal voltage, V	36
Weight, kg (lb)	1.3 (2.9)

## Approved battery chargers

<b>Battery charger</b>	<b>QC330</b>
Input voltage, V	100-240
Frequency, Hz	50-60
Power, W	330

---

## Accessories

---

## Accessories

Approved accessories	Accessory type	Cutting attachment guard, art. no.
Centre hole in blades/knives, Ø 25.4		
Output shaft thread M10		
Trimmer head	T35 (Whisper twist trimmer line, maximum Ø 2.4 mm)	597 01 62-02

---

# Declaration of Conformity

---

## EU Declaration of conformity

We, **Husqvarna AB**, SE-561 82 Huskvarna, Sweden, tel: +46-36-146500, declare on our sole responsibility that the product:

<b>Description</b>	Battery-operated grass trimmer
<b>Brand</b>	Husqvarna
<b>Type / Model</b>	325iL
<b>Identification</b>	Serial numbers dating from 2023 and onwards

complies fully with the following EU directives and regulations:

<b>Directive/Regulation</b>	<b>Description</b>
2006/42/EC	"relating to machinery"
2014/30/EMC	"relating to electromagnetic compatibility"
2011/65/EU	"relating to restriction of hazardous substances"
2000/14/EC	"relating to outdoor noise"

and that the following standards and/or technical specifications are applied: EN 62841-1:2015/AC:2015, EN 62841-4-4 (IEC 62841-4-4:2020), EN 61000-6-1:2007 (Immunity), EN 61000-6-3:2007/A1:2011/AC:2012 (Emission).



RISE SMP Svensk Maskinprovning AB, Box 4053, SE-904 03 Umeå, Sweden has performed a voluntary type examination according to annex IX of 2006/42/EC. Certificate No: SEC/23/2579.

Notified body: 0404, RISE SMP Svensk Maskinprovning AB, Box 4053, SE-904 03 Umeå, Sweden has also verified agreement with appendix with VI of the council's directive 2000/14/EC.

For information relating to noise emissions, refer to *Technical data on page 17*.

Huskvarna, 2022-12-01

Two handwritten signatures in black ink. The first signature is 'Stefan Holmberg' and the second is 'J. Holmberg'.

Stefan Holmberg, R&D Director, Technology Management, Husqvarna AB

Responsible for technical documentation

## UK Declaration of conformity

We, **Husqvarna AB**, SE-561 82 Huskvarna, Sweden, tel: +46-36-146500, declare on our sole responsibility that the product:

<b>Description</b>	Battery-operated grass trimmer
<b>Brand</b>	Husqvarna
<b>Type / Model</b>	325iL
<b>Identification</b>	Serial numbers dating from 2023 and onwards

complies fully with the following UK regulations:

<b>Regulations</b>
The Supply of Machinery (Safety) Regulations 2008
Electromagnetic Compatibility Regulations 2016
The Restriction of the Use of Certain Hazardous Substances in Electrical and Electronic Equipment Regulations 2012
The Noise Emission in the Environment by Equipment for use Outdoors Regulations 2001

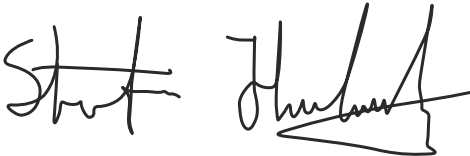
and that the following standards and/or technical specifications are applied: EN 62841-1:2015/AC:2015, EN 62841-4-4 (IEC 62841-4-4:2020), EN 61000-6-1:2007 (Immunity), EN 61000-6-3:2007/A1:2011/AC:2012 (Emission).

UK Importer:  
Husqvarna UK Ltd  
Preston Road, Co. Durham  
DL5 6UP

Approved body: 0888, HORIBA MIRA Certification Ltd., Watling Street, Nuneaton, Warwickshire, CV10 0TU, UK has certified conformity with the Outdoor Noise Regulations of 2001, conformity assessment procedure: Schedule 9.

For information relating to noise emissions, refer to *Technical data on page 17*.

Husqvarna, 2022-12-01



Stefan Holmberg, R&D Director, Technology Management, Husqvarna AB

Responsible for technical documentation

**UK  
CA**

---

# Съдържание

---

Въведение.....	21	Транспортиране, съхранение и изхвърляне.....	34
Безопасност.....	22	Технически данни.....	35
Монтаж.....	30	Принадлежности.....	36
Операция.....	31	Декларация за съответствие.....	37
Поддръжка.....	32	Приложение .....	447
Отстраняване на проблеми.....	33		

---

## Въведение

---

### Описание на продукта

Husqvarna 325iL е акумулаторна косачка с електрически мотор.

Ние работим постоянно, за да подобряваме Вашата безопасност и ефективност по време на работа. Свържете се с дистрибутор по обслужването за повече информация.

### Предназначение

Използвайте продукта с тримерна глава за рязане на различни видове растителност. Не използвайте

продукта за дейности, различни от подрязване и косене на трева.

**Забележка:** Възможно е използването на продукта да се регулира от националните или местните разпоредби. Съобразявайте с предоставените разпоредби.

Използвайте продукта само с принадлежностите, които са одобрени от производителя. Вижте *Принадлежности на страница 36*.

### Общ преглед на продукта

(Фиг. 1)

1. Ръководство за оператора
2. Ъглова зъбна предавка
3. Отвор за шплинт
4. Тримерна глава
5. Предпазител на режещо оборудване
6. Задвижващ диск
7. Комбиниран гаечен ключ
8. Примкова ръкохватка
9. Бутон
10. Двусекционен вал
11. Шплинт
12. Светодиоден индикатор за предупреждение
13. Бутон за стартиране/спиране
14. Бутон за режим на скорост
15. Блокировка на захранващия спусък
16. Потребителски интерфейс
17. Захранващ спусък
18. Шнур на зарядното устройство за акумулаторни батерии
19. Зарядно устройство за акумулатора
20. Светодиод за захранване и предупреждение
21. Бутони за освобождаване на акумулаторната батерия
22. Акумулаторна батерия
23. Светодиоден индикатор за състоянието на зареждане

24. Предупредителен светодиода

25. Бутон за индикатора на акумулаторната батерия

### Символи върху продукта

(Фиг. 2)

**ПРЕДУПРЕЖДЕНИЕ!** Този продукт може да бъде опасен! Немарливото или неправилното използване може да доведе до сериозно или смъртоносно нараняване на оператора и заобикалящите го лица. От изключителна важност е да прочетете и разберете съдържанието на ръководството за оператора. Прочетете внимателно ръководството за оператора и се уверете, че разбирате инструкциите, преди да използвате продукта.

(Фиг. 3)

Използвайте одобрена защита на слуха. Използвайте одобрени защитни средства за очите.

(Фиг. 4)

Максимална скорост или скорост без натоварване.

XXXX /мин  
или мин<sup>-1</sup>

Обороти или ходове в минута.

(Фиг. 5)

Номинално напрежение, V

(Фиг. 6)	Прав ток.	(Фиг. 14)	Разкачете акумулаторната батерия преди техническо обслужване.
(Фиг. 7)	Продуктът е в съответствие с приложимите директиви на ЕО.	(Фиг. 15)	Продуктът е със защита от пръски вода.
(Фиг. 8)	Този продукт съответства на приложимите регламенти на Обединеното кралство.	(Фиг. 16)	Пазете всички части на тялото си далеч от горещите повърхности.
(Фиг. 9)	Използвайте одобрени защитни ръкавици.	(Фиг. 17)	Етикет за шумовите емисии към околната среда съгласно директивите и регламентите на ЕС и Обединеното кралство и законодателството на Нов Южен Уелс "Регламент от 2017 г. относно защитата от дейности, оказващи влияние на околната среда (контрол на шума)". Гарантираното ниво на звуковата мощност на продукта е посочено в <i>Технически характеристики на страница 35</i> .
(Фиг. 10)	Използвайте устойчиви на плъзгане ботуши за тежък режим на работа.		
(Фиг. 11)	Използвайте само неметални гъвкави режещи приставки.		
(Фиг. 12)	Символите върху продукта или неговата опаковка указват, че този продукт не може да бъде третиран като битов отпадък. Този продукт трябва да бъде депониран в съответното депо за рециклиране.		
(Фиг. 13)	Приставката може да изхвърли предмети с голяма сила, които да отскочат обратно. Това може да доведе до сериозни наранявания на очите, ако не се използват препоръчителните предпазни средства.		

yyyywwxxxx

На табелката с данни е изписан серийният номер. **yyyy** е годината на производство, **ww** – седмицата на производство, а **xxxx** – поредният номер.

(Фиг. 18)

Операторът трябва да внимава да не се приближават лица или животни в радиус от 15 метра. Когато няколко оператора работят в един и същ обект, трябва да се спазва безопасно разстояние от поне 15 метра.

**Забележка:** Останалите символи/стикери на продукта се отнасят до изисквания по отношение на сертификати за други търговски площи.

## Повреда на продукта

Ние не носим отговорност за повреди по нашия продукт, ако:

- продуктът е неправилно ремонтиран.
- продуктът е ремонтиран с части, които не са от производителя или не са одобрени от производителя.
- продуктът има принадлежност, която не е от производителя или не е одобрена от производителя.
- продуктът не е ремонтиран в одобрен сервизен център или от одобрен орган.

## Безопасност

### Дефиниции за безопасност

Предупреждения, знаци за внимание и бележки се използват за указване на особено важни части на инструкцията.



**ПРЕДУПРЕЖДЕНИЕ:** Използва се, ако има опасност от нараняване или смърт за оператора или за околните, ако не се спазват инструкциите в ръководството.



**ВНИМАНИЕ:** Използва се, ако има опасност от повреждане на машината, други материали или съседната зона, ако не се спазват инструкциите в ръководството.

**Забележка:** Използва се за предоставяне на повече информация, която е необходима в дадена ситуация.

## Общи предупреждения за безопасност за силови инструменти



**ПРЕДУПРЕЖДЕНИЕ:** Прочетете всички предупреждения за безопасност, инструкции, илюстрации и спецификации, предоставени с този електрически инструмент. Неспазването на всички инструкции, изброени по-долу, може да доведе до електрически удар, пожар и/или сериозно нараняване.

- **Запазете всички предупреждения и инструкции за бъдещи справки.** Терминът "електрически инструмент" в предупрежденията се отнася за електрически управлявания (кабелен) електрически инструмент или такъв на батерии (безжичен).

### Безопасност на работната област

- **Поддържайте работната област чиста и добре осветена.** Мръсните и тъмните области са по-предразполагащи към инциденти.
- **Не работете с електрически инструменти в експлозивна среда, като например в присъствието на запалителни течности, газове или прах.** Електрическите инструменти създават искри, които може да възпламенят праха или дима.
- **Дръжте децата и наблюдателите далеч, докато работите с електрически инструмент.** Разсейването може да доведе до загуба на контрол.

### Електрическа безопасност

- **Щепселите на електрическите инструменти трябва да съответстват на контакта.** Никога не променяйте щепселите по какъвто и да било начин. Не използвайте никакви адаптерни щепсели със заземени електрически инструменти. Немодифицираните щепсели и съответстващи им изходи ще намалят рисковете от токов удар.
- **Избягвайте контакт на тялото със заземени повърхности, като тръби, радиатори и хладилници.** Има повишен риск от електрически удар, ако Вашето тяло е заземено или замасено.

- **Не излагайте електрическите инструменти на дъжд или влажни условия.** Водата, която влиза в електрически инструмент, ще увеличи риска от електрически удар.
- **Не насилвайте шнура.** Никога не използвайте шнура за носене, дърпане или изключване на електрически инструмент. Пазете шнура далеч от топлинни източници, масло, остри ръбове или движещи се части. Повредените и оплетени шнурове увеличават риска от електрически удар.
- **Когато работите с електрически инструмент навън, използвайте удължителен шнур, който е подходящ за външна употреба.** Шнурът, подходящ за използване на открито, намалява рисковете от токов удар.
- **Ако работата с електрически инструмент на влажно място е неизбежна, използвайте захранване с устройство със защита от остатъчен ток (RCD).** Използването на RCD намалява риска от електрически удар.

### Лична безопасност

- **Бъдете нащрек, внимавайте какво правите и бъдете разсъдливи, когато работите с електрически инструмент.** Не използвайте електрически инструмент, когато сте изморени или когато сте под влиянието на наркотици, алкохол или лекарства. Един миг на невнимание по време на работа с електрически инструменти може да доведе до сериозна телесна повреда.
- **Използвайте лични предпазни средства.** Винаги носете защитни средства за очите. Предпазните средства като респираторна маска, непързалици се предпазни обувки, твърда каска или антифони, използвани за съответните условия, ще намалят телесните повреди.
- **Не допускайте нежелано стартиране.** Уверете се, че ключът е в изключена позиция, преди да свържете източника на мощност и/или батериите, когато вземате или носите инструмента. Носенето на електрически инструменти, докато пръстът Ви е на превключвателя, или включването в мрежата на инструменти, чийто прекъсвач е в позиция ВКЛ., предразполага към злополуки.
- **Извадете всички настройващи ключове или гаечни ключове, преди да включите електрическия инструмент.** Гачен ключ или ключ, оставен закачен за въртящата се част на електрически инструмент, може да доведе до телесна повреда.
- **Не се протягвайте прекалено надалеч, докато работите.** Поддържайте съответната стъпка и баланс през цялото време. Това позволява по-добър контрол на електрическия инструмент в неочаквани ситуации.
- **Обличайте се подходящо.** Никога не носете широки дрехи или украшения. Дръжте косата и дрехите си далеч от движещите се части на инструмента. Развети дрехи, бижута или дълга

коса могат да бъдат закачени в движещите се части.

- Ако са предоставени устройства за свързване на изсмукване на прах и съдове за събиране, уверете се, че те са свързани и се използват правилно. Използването на съдове за събиране на прах може да намали опасностите, свързани с праха.
- Не позволявайте на натрупания от честата употреба на инструменти опит да Ви вдъхне излишна увереност и да игнорирате принципите за безопасна употреба на инструменти. Едно нехайно действие може да причини сериозно нараняване за част от секундата.

## Употреба и грижа за електрическия инструмент

- Не насилвайте електрическия инструмент. Използвайте подходящия електрически инструмент за Вашето приложение. Правилният електрически инструмент ще свърши работата по-добре и по-безопасно със скоростта, за която е бил създаден.
- Не използвайте електрическия инструмент, ако фиксаторът не го включва и изключва. Всеки електрически инструмент, който не може да бъде управляван с фиксатора, е опасен и трябва да бъде поправен.
- Разкачете щепсела от електрическия източник и/или премахнете акумулаторната батерия от електрическия инструмент, ако може да се отстрани, преди да правите каквито и да било настройки, да смените принадлежности или да съхранявате електрически инструменти. Тези предпазни мерки намаляват риска от нежелано стартиране на електрическия инструмент.
- Съхранявайте неизползваните електрически инструменти далеч от достъпа на деца и не разрешавайте на хора, които не са запознати с електрическия инструмент или тези инструкции, да работят с него. Електрическите инструменти са опасни в ръцете на необучени потребители.
- Поддържайте електрическите инструменти и аксесоари. Проверявайте за неправилно поставяне или застъпване на движещите се части, счупени части или друго състояние, което може да се отрази на работата на електрическия инструмент. Ако електрическият инструмент бъде повреден, дайте го на поправка, преди да го използвате. Много инциденти възникват с лошо поддържани електрически инструменти.
- Поддържайте режещите инструменти остри и чисти. Правилно поддържаните режещи инструменти с остри режещи краища са по-трудни за огъване и се контролират по-лесно.
- Използвайте електрическия инструмент, принадлежностите, приставките и т. н. в съответствие с тези инструкции, като имате предвид условията и естеството на работата, която извършвате. Използването на

електрическия инструмент за операции, различни от тези, за които е предназначен, може да доведе до опасни ситуации.

- Поддържайте ръкохватките и повърхностите за хващане сухи, чисти и без масло и грес. Хлъзгавите ръкохватки и повърхности за захващане не позволяват безопасно боравене и контрол над инструмента при непредвидени ситуации.

## Употреба и грижа за инструмента – акумулаторната батерия

- Презареждайте само със зарядно устройство, определено от производителя. Зарядно устройство, което е подходящо за един вид акумулаторна батерия, може да създаде опасност от злополука, когато се използва с друга акумулаторна батерия.
- Използвайте електрическите инструменти само със специално определените акумулаторни батерии. Използването на други акумулаторни батерии може да създаде риск от нараняване и пожар.
- Когато акумулаторната батерия не е в употреба, я дръжте далеч от други метални предмети, като кламери, монети, ключове, пирони, винтове или други малки предмети, които могат да образуват връзка между едната клема и другата. Окъсяване на изводите на акумулаторната батерия може да предизвика изгаряния или пожар.
- При злоупотреба от акумулаторната батерия може да бъде изхвърлена течност – избягвайте допир. При възникване на случаен контакт изплакнете с вода. Ако течността попадне в очите, потърсете допълнителна медицинска помощ. Течност, изхвърлена от акумулаторната батерия, може да причини раздразнения или изгаряния.
- Не използвайте акумулаторна батерия или инструмент, който е повреден или модифициран. Повредените или модифицирани акумулаторни батерии могат да имат непредсказуемо поведение, което да доведе до пожар, експлозия или опасност от нараняване.
- Не излагайте акумулаторната батерия или инструмента на огън или прекомерна температура. Излагането на огън или температура над 130°C/266°F може да предизвика експлозия.
- Спазвайте всички инструкции за зареждане и не зареждайте акумулаторната батерия или инструмента извън температурния диапазон, посочен в инструкциите. Неправилното зареждане или зареждането при температури извън посочения диапазон може да повреди акумулаторната батерия и да увеличи риска от пожар.



## Обслужване

- **Техническото обслужване на Вашия електрически инструмент трябва да се извършва от квалифицирано лице, като се използват само идентични резервни части.** Това ще гарантира безопасността на електрическия инструмент.
- **Никога не обслужвайте повредени акумулаторни батерии.** Обслужването на акумулаторни батерии трябва да се извършва само от производителя или оторизирани сервизни доставчици.

## Предупреждения за безопасност за тример за трева, резачка за храсти с корда и диск

- **Не използвайте машината при лоши метеорологични условия, особено когато има риск от мъглини.** Това намалява риска да бъдете ударени от мъглина.
- **Внимателно проверете площта, където ще се използва машината, за диви животни.** По време на работа машината може да нарани дивите животни.
- **Проверете внимателно площта, където ще се използва машината, и отстранете всички камъни, пръчки, проводници, кости и други чужди предмети.** Извършените предмети могат да причинят телесна повреда.
- **Преди да използвате машината, винаги проверявайте визуално, за да видите дали резачката или резецът, както и модулът на резаца или резачката, не е повреден.** Повредените части увеличават риска от нараняване.
- **Следвайте инструкциите за смяна на принадлежности.** Неправилно затегнати закрепващи гайки или болтове на резаца може или да повредят резаца, или да доведат до отделянето му.
- **Номиналните обороти на резачката трябва да бъдат най-малкото равни на максималните обороти, маркирани на машината.** Резачки, които работят по-бързо от номиналните си обороти, могат да се счупят и да отхвъркнат.
- **Носете защитни средства за очите, ушите, главата и ръцете.** Адекватното защитно оборудване ще намали телесната повреда от летящи късове или случаен контакт с кордата или резаца.
- **По време на работа с машината винаги носете непълзгащи се защитни обувки. Не работете с машината, когато сте боси или носите отворени сандали.** Това намалява вероятността от нараняване на краката при контакт с движеща се резачка, корда или резец.
- **Когато работите с машината, винаги носете дълги панталони.** Съществува вероятност откритите части на кожата да бъдат наранени от изхвърлени предмети.
- **Дръжте страничните лица далеч, докато работите с машината.** Изхвърлените късове могат да доведат до сериозна телесна повреда.
- **Работата с машината трябва винаги да се извършва с две ръце.** Дръжте машината с две ръце, за да избегнете загубата на контрол.
- **Дръжте машината само за изолираните повърхности за хващане, защото кордата или резецът може да влязат в контакт със скрити кабели.** При контакт на кордата или резците с проводник под напрежение металните части на машината може да попаднат под напрежение и операторът да бъде изложен на токов удар.
- **Винаги поддържайте стабилна стойка и работете с машината само когато стоите на земята.** Работата върху хлъзгави или нестабилни повърхности може да стане причина за загуба на равновесие или загуба на контрол на машината.
- **Не работете с машината по прекалено стръмни наклони.** Това намалява риска от загуба на контрол, подхлъзване и падане, което може да доведе до телесна повреда.
- **Когато работите по наклони, винаги се уверявайте, че сте стъпили добре, винаги работете напречно на наклоните, никога нагоре или надолу, и бъдете изключително внимателни при смяна на посоката.** Това намалява риска от загуба на контрол, подхлъзване и падане, което може да доведе до телесна повреда.
- **Дръжте всички части на тялото далеч от резачката, кордата или резаца, когато машината работи.** Преди да стартирате машината, се уверете, че резачката, кордата или резецът не влиза в контакт с нищо. Момент на невнимание по време на работа с машината може да доведе до нараняване на Вас или на други лица около Вас.
- **Не работете с машината над височината на талията.** Това помага за предотвратяването на нежелан контакт с резачката или резаца и позволява по-добър контрол на машината в неочаквани ситуации.
- **Когато режете храсти или фиданки, които са натегнати, бъдете нащрек за откат.** Когато натягането в дървесните влакна се освободи, храстът или фиданката може да удари оператора и/или да изхвърли машината извън Вашия контрол.
- **Бъдете изключително внимателни, когато режете храсти и фиданки.** Тънкият материал може да се захване в резаца и да отскочи напред към Вас или да Ви извади от равновесие.
- **Поддържайте контрол върху машината и не докосвайте резачките, кордите или резците и други опасни движещи се части, докато те все още се движат.** Това намалява риска от нараняване от движещи се части.
- **Когато почиствате задръстен материал или обслужвате машината, се уверете, че всички прекъсвачи са изключени и захранващият шнур е**

**разкачен.** Неочакваното стартиране на машината при почистване на заседнал материал или обслужване може да доведе до сериозна телесна повреда.

- **Носете машината в изключено състояние и далеч от тялото.** Правилното боравене с машината ще намали вероятността от случаен контакт с движеще се резачка, корда или резец.
- **При транспортиране или съхраняване на машината винаги поставяйте капака върху металните резици.** Правилното боравене с машината ще намали вероятността от случаен контакт с резеца.
- **Използвайте само резервни резачки, корди, режещи глави и резици, посочени от производителя.** Неправилните резервни части може да увеличат риска от счупване и нараняване.

## Друга обща информация за безопасност

- Дезактивирайте продукта, преди да се преместите на друга площ. Винаги отстранявайте акумулаторната батерия, когато предавате продукта на друго лице.
- Никога не оставяйте продукта на земята, ако преди това не сте го дезактивирали и не сте отстранили акумулаторната батерия. Не оставяйте продукта без надзор, когато е включен.
- Режещият инструмент не спира веднага след изключването на продукта.
- Преди да използвате продукта и след всеки удар, проверете за признаци на износване или повреда и ремонтирайте според необходимостта.
- Ако нещо заседне в режещата приставка, докато работите с продукта, спрете и дезактивирайте продукта. Уверете се, че режещата приставка е напълно спряна. Отстранете акумулаторната батерия преди почистване, проверка или ремонт на продукта и/или режещото оборудване.
- Извършете проверка на продукта преди употреба. Направете справка с *Устройства за безопасност на продукта на страница 28 и Поддръжка на страница 32*. Не използвайте дефектен продукт. Извършете описаните в това ръководство проверки за безопасност, както и инструкциите за техническо обслужване и сервиз.
- Неизправната режеща приставка може да повиши риска от злополуки.
- Проверете предавката за мръсотия и пукнатини. Почистете тревата и листата от предавката, като използвате четка. Трябва да носите ръкавици, когато е необходимо.
- Винаги проверявайте дали вентилационните отвори не са запушени от отпадъци.
- Проверете дали тримерната глава е напълно закрепена към тримера.
- Всички капаци, предпазители и ръкохватки трябва да бъдат монтирани преди започване на работа.
- Проверете дали продуктът е в отлично работно състояние. Проверете дали всички гайки и винтове са затегнати.
- Проверете дали тримерната глава и предпазителят на тримера не са повредени или напукани. Сменете тримерната глава или предпазителя на тримера, ако е бил подложен на удар или по него са се появили пукнатини. Винаги използвайте препоръчания предпазителя за конкретната режеща приставка. Направете справка с *Принадлежности на страница 36*.
- Този продукт е опасен инструмент, ако не сте внимателни или ако го използвате неправилно. Този продукт може да причини сериозно нараняване или смърт на оператора и други хора.
- Този уред не е предназначен за употреба от лица (включително деца) с намалени физически, сетивни или умствени способности или липса на опит и познания, освен ако не са под надзор или са били инструктирани относно използването на уреда от лице, отговарящо за тяхната безопасност. Децата трябва да бъдат нагледжани, за да е сигурно, че не си играят с уреда.
- Никога не позволявайте на деца да използват машината или да бъдат в близост до нея. Тъй като машината се стартира лесно, децата биха могли да я включат, ако не са под постоянен надзор. Това може да означава риск от сериозна телесна повреда. Поради това разкачвайте акумулаторната батерия, когато машината не е под пряк надзор.
- Никога не позволявайте на деца или други лица, които не са обучени да използват продукта и/или акумулаторната батерия, да я използват или обслужват.
- Съхранявайте оборудването в заключващо се място, така че да бъде извън досега на деца или неупълномощени лица.
- Винаги дръжте ръцете и краката далеч от площта за рязане и особено когато включвате двигателя.
- Дръжте ръцете и краката си далеч от режещата приставка, докато тя не спре изцяло, когато продуктът бъде дезактивиран.
- Не отстранявайте изрязания материал и не позволявайте на други лица да отстраняват изрязания материал, докато продуктът е активиран или режещото оборудване се върти, тъй като това може да доведе до сериозно нараняване.
- Не забравяйте, че Вие, оператора, сте отговорни за предпазването на хора или тяхно имущество от нещастни случаи или опасности.
- При никакви обстоятелства не бива да се нанасят модификации в първоначалната конструкция на продукта без разрешение от производителя. Винаги използвайте оригинални принадлежности. Неразрешени изменения и/или приспособления може да предизвикат сериозни телесни повреди

- или смъртта на оператора или други лица. Покритието на Вашата гаранция е възможно да не покрива повреди или отговорности за вреди, причинени поради употреба на неотризиранни аксесоари и резервни части.
- Единствените принадлежности, които можете да използвате с този продукт, са рещеците приставки, препоръчани в главата за принадлежностите. Направете справка с *Принадлежности на страница 36*.
  - Никога не използвайте продукт с модификации на оригиналните технически характеристики
  - Никога не използвайте продукт, който е неизправен. Извършвайте описаните в това ръководство за експлоатация редовни проверки за безопасност, поддръжка и сервис. Определени операции по поддръжката и сервиза се извършват единствено от квалифицирани специалисти. Вижте инструкциите в раздел "Техническо обслужване".
  - Работата в лоши метеорологични условия е уморителна и често води до повишен риск. Поради повишения риск не се препоръчва работа с машината в много лоши метеорологични условия, например при гъста мъгла, силен дъжд, силни ветрове, значителен студ, опасност от светкавици и т.н.
  - Никога не работете от стълба, столче или друго положение на високо, което не е напълно обезопасено.
  - Съхранение на уреди на празен ход на закрито – когато не се използват, уредите трябва да се съхраняват на закрито
  - Невинаги е възможно да се предвиди всяка възможна ситуация, с която можете да се сблъскате. Винаги работете с повишено внимание и се осланяйте на здравия си разум. Избягвайте всички ситуации, в които имате съмнения, че няма да можете да се справите. Ако все още се чувствате несигурни за работните процедури след прочитането на тези инструкции, трябва да се консултирате с експерт, преди да продължите работата.
  - Уверете се, че докато работите, няма хора и животни в радиус от 15 метра. Когато няколко оператора работят на една и съща площ, трябва да се спазва безопасно разстояние поне 15 метра. В противен случай съществува риск от сериозна телесна повреда. Спрете незабавно продукта, ако някой се приближи. Никога не се обръщайте с продукта, без преди това да проверите зад Вас и да се уверите, че в зоната за безопасност няма никой.
  - Уверете се, че хора, животни или предмети не могат да повлияят на управлението на продукта или да влязат в контакт с рещецата приставка или изхвърлени от нея предмети. Никога обаче не използвайте продукта, ако нямате възможност да повикате помощ в случай на злополука.
  - Уверете се, че можете да се движите и да стоите безопасно. Проверете площта около Вас за потенциални препятствия (корени, камъни, клони, канавки и така нататък), в случай че се наложи да се преместите внезапно. Бъдете много предпазливи при работа по наклонен терен.
  - Ходете, никога не тичайте.
  - Проверете работната площ. Отстранете всякакви търкалящи се предмети, като например камъни, счупени стъкла, гвоздеи, стоманени въжета, жици и други, които могат да бъдат подхвърлени или да се омотаят около резеца или предпазителя на резеца.
  - Внимавайте за парчета от клоните, които могат да изхвърчат, докато режете. Не режете прекалено близо до земята, откъдето могат да изхвърчат камъни и други предмети.
  - Уверете се, че никакви дрехи или части от тялото Ви не влизат в контакт с рещецата приставка, докато продуктът е активиран. Дръжте продукта под нивото на кръста.
  - Внимавайте за хвърчащи предмети. Винаги носете одобрена защита на очите. Никога не се навеждайте отвъд предпазителя на рещецата приставка. В очите Ви могат да попаднат камъни, отпадъци и др., които могат да причинят слепота или сериозно нараняване.
  - Бъдете винаги нащрек за предупредителни сигнали или подвиквания, когато носите защита на слуха. Винаги отстранявайте защитата на слуха незабавно след спиране на продукта.
  - Ако се появят нежелани вибрации, извадете нова корда, за да коригирате дължината ѝ и да спрете вибрациите.
  - Ако продуктът започне да вибрира по необичаен начин, го спрете и отстранете акумулаторната батерия.
  - Прекомерното излагане на вибрации може да доведе до поражения върху кръвоносните съдове или нервната система на лица със смущения в кръвообращението. Говорете с Вашия лекар, ако се появят симптоми, които могат да са резултат от прекомерно излагане на вибрации. Такива симптоми са например изтръпване, загуба на чувствителност, "иглички", "бодежи", болки, физическа отпуснатост, промени в цвета или състоянието на кожата. Тези симптоми се появяват обикновено на пръстите, ръцете или китките.
  - Винаги дръжте продукта с две ръце. Дръжте продукта отдясно на тялото си.

## Лични предпазни средства



**ПРЕДУПРЕЖДЕНИЕ:** Прочетете следващите предупредителни указания, преди да използвате продукта.

- При работа с продукта винаги използвайте одобрени лични предпазни средства. Личните

предпазни средства не изключват изцяло риска от нараняване, но намаляват степента на нараняването при злополука. Нека Вашият доставчик Ви помогне да изберете подходящото оборудване.

- Използвайте защитна каска, когато има риск от падащи предмети.
- Използвайте одобрени антифони, осигуряващи подходящо намаляване на шума. Дълготрайното излагане на шум може да доведе до постоянно влошаване на слуха.
- Използвайте одобрени защитни средства за очите. Ако използвате маска, използвайте също и одобрени защитни очила. Одобрените защитни очила трябва да отговарят на стандарт ANSI Z87.1 за САЩ или EN 166 за страните от ЕС.
- Използвайте визьор за защита на лицето. Визьорът не е достатъчен за предпазване на очите.

(Фиг. 19)

- Когато е необходимо, носете ръкавици, например, когато закрепвате, проверявате или почистявате режещото оборудване.
- Използвайте устойчиви и нехлъзгащи се ботуши.
- Използвайте дрехи, направени от здрава тъкан. Винаги използвайте здрави, дълги панталони и дълги ръкави. Не носете използвайте дрехи, които могат да се захванат за храсти и клони. Не носете бижута, къси панталони, сандали и не работете боси. Носете косата си безопасно над нивото на рамената.

(Фиг. 20)

- Дръжте в близост комплект за първа помощ.

(Фиг. 21)

## Устройства за безопасност на продукта



**ПРЕДУПРЕЖДЕНИЕ:** Прочетете следващите предупредителни инструкции, преди да използвате продукта.

В този раздел се описва предпазното оборудване на продукта, неговото предназначение и как трябва да се извършват проверки и техническо обслужване, за да се гарантира правилната работа. Вижте инструкциите под заглавието, *Въведение на страница 21* за да разберете къде са разположени тези части по продукта Ви.

Срокът на експлоатация на продукта може да се намали, а рискът от злополуки да се повиши, ако не се извършва правилно техническо обслужване на продукта и сервисното обслужване и/или ремонтите не се извършват професионално. Ако Ви е необходима допълнителна информация, моля, свържете се със сервисния дилър, разположен най-близко до Вас.



**ПРЕДУПРЕЖДЕНИЕ:** Никога не използвайте продукт с повредени обезопасителни компоненти. Предпазното оборудване на продукта трябва да бъде прегледано и технически обслужвано, както е описано в този раздел. Ако продуктът Ви не премине успешно някоя от тези проверки, се свържете със сервиса си за извършване на ремонт.



**ВНИМАНИЕ:** Всяко извършване на сервисно обслужване и ремонт на машината изисква специално обучение. Това важи в особена степен за предпазните средства на машината. Обърнете към сервиса си, ако машината не отговаря на описаните по-долу проверки. При покупката на наш продукт ние гарантираме предоставянето на професионални ремонтни услуги и сервис. Ако търговецът, от когото сте закупили машината, не е сервисен дилър, попитайте за адреса на най-близкия сервис.

## За проверка на потребителския интерфейс

1. Натиснете и задръжте бутона за стартиране/спирание (A).
  - a) Продуктът е включен, когато дисплеят (B) светне. (Фиг. 22)
  - b) Продуктът е изключен, когато дисплеят угасне.
2. Ако предупредителният индикатор на дисплея свети или мига, направете справка с *Потребителски интерфейс на страница 33*.

## За проверка на блокировката на захранващия спусък

Блокировката на захранващия спусък е проектирана за предотвратяване на случайно задействане. Когато натиснете блокировката на захранващия спусък напред (A) и след това натиснете блокировката към ръкохватката (B), захранващият спусък (C) се освобождава. Когато освободите ръкохватката, захранващият спусък и блокировката му се връщат в изходни позиции. Това движение се управлява от три независими пружини. (Фиг. 23)

1. Уверете се, че захранващият спусък е заключен, когато блокировката на захранващия спусък е в първоначално положение. (Фиг. 24)
2. Натиснете захранващия спусък и се уверете, че се връща в първоначалното си положение, когато го освободите. (Фиг. 25)

- Уверете се, че захранващият спусък и блокировката му се движат свободно и че възвратната пружина работи правилно.
- Стартирайте продукта, направете справка с *3а стартиране на продукта на страница 31*.
- Приложете пълни обороти.
- Освободете захранващия спусък и се уверете, че режещата приставка спира и остава неподвижна.

### За проверка на смазването на режещото оборудване



**ПРЕДУПРЕЖДЕНИЕ:** Не използвайте режещо оборудване без одобрен и правилно поставен предпазител на режещото оборудване. Винаги използвайте предпазителя за режещо оборудване, препоръчана за режещото оборудване, което използвате, вижте *Принадлежности на страница 36*. Използването на неподходящ или неизправен предпазител на режещото оборудване може да доведе до сериозна телесна повреда.

Предпазителят на режещото оборудване предотвратява изхвърляне на предмети по посока на оператора. Той също така предпазва от наранявания, които биха възникнали при докосване на режещото оборудване.

- Спрете продукта и отстранете акумулаторната батерия.
- За извършване на визуална проверка например пукнатини. (Фиг. 26)
- Подменете предпазителя на режещото оборудване, ако бъде повреден.

### Тримерна глава

- Винаги използвайте правилната тримерна глава, режещо оборудване и винаги използвайте препоръчаната корда за тример. Направете справка с *Принадлежности на страница 36* и схемата за монтиране в края на ръководството.
- Уверете се, че резецът върху предпазителя на примера не е повреден.
- Уверете се, че кордата за примера е навита плътно и равномерно около барабана, за да се предотвратят необичайни вибрации на продукта. Различните дължини на кордата може да доведат до вибрации, които не са необходими. Натиснете леко тримерната глава, за да установите правилната дължина на кордата.

За да удължите живота на кордата, можете да я потопите във вода за 2 дни или повече, преди да я монтирате. Това ще направи кордата по-издръжлива.

### Инструкции за безопасност при монтаж



**ПРЕДУПРЕЖДЕНИЕ:** Преди да използвате продукта, внимателно прочетете, разберете и спазете тези инструкции.

- Отстранете акумулаторната батерия от продукта, преди да монтирате продукта.
- Използвайте одобрени защитни ръкавици.
- Предпазител, който е повреден или не работи правилно, може да причини нараняване. Не използвайте режеща приставка, която няма закрепен одобрен предпазител.
- Уверете се, че сте сглобили капака и вала правилно, преди да стартирате продукта.
- Задвижващият диск и опорният фланец трябва да са поставени правилно в централния отвор на режещата приставка. Неправилно закрепената режеща приставка може да причини нараняване или смърт.
- Ако с приставката се доставя и самар, той трябва да се прикрепи правилно към продукта. Самарът прави работата безопасна и предотвратява нараняване на оператора или други лица.

### Инструкции за безопасност при техническо обслужване



**ПРЕДУПРЕЖДЕНИЕ:** Прочетете следващите предупредителни указания, преди да извършвате техническо обслужване на продукта.

- Извадете батерията, преди да извършите техническо обслужване, други проверки или сглобяване на продукта.
- Операторът трябва да извършва само техническо обслужване и ремонтни дейности, показани в тази инструкция за експлоатация. Обърнете се към Вашия сервизен дилър при нужда от по-сериозно техническо обслужване и ремонтни дейности.
- Не почиствайте батерията или зарядното устройство с вода. Силните почистващи препарати могат да повредят пластмасата.
- Ако не извършвате техническо обслужване, това намалява експлоатационния живот на продукта и увеличава риска от злополука.
- Необходимо е специално обучение за всички ремонтни дейности и поправки особено що се отнася до приспособленията за безопасност на продукта. Ако не всички проверки в тази инструкция за експлоатация са одобрени, след като сте извършили техническото обслужване, обърнете се към Вашия сервизен дилър. Не

гарантираме, че за Вашия продукт има налични професионални поправки и ремонти.

- Използвайте само оригинални резервни части.
- Винаги използвайте ръкавици за тежки условия, когато ремонтирате режещото оборудване.

Остриетата са изключително остри и лесно могат да причинят наранявания.

---

## Монтаж

---

### За да монтирате примковата ръкохватка

1. Поставете примковата ръкохватка върху вала между стрелките. Не поставяйте примкова ръкохватка или пръстен на окачването върху етикет. (Фиг. 27)
2. Придвийте втулката в отвора на примковата ръкохватка.
3. Поставете гайката, фиксатора и винта – не затягайте прекалено.
4. Регулирайте продукта до удобно положение.
5. Затегнете болта.

### За сглобяване на режещото оборудване

Режещото оборудване включва режещо оборудване и предпазител на режещото оборудване.



#### ПРЕДУПРЕЖДЕНИЕ:

Използвайте защитни ръкавици.



#### ПРЕДУПРЕЖДЕНИЕ:

Винаги използвайте предпазителя за режещо оборудване, който се препоръчва за режещото оборудване. Вижте *Технически данни на страница 35*.



#### ПРЕДУПРЕЖДЕНИЕ:

Неправилно закрепеното режещо оборудване може да доведе до нараняване или смърт.

### За закрепване на предпазителя на режещата приставка

1. Закрепете предпазителя на режещата приставка (А) към куката на държача на плочата (В). (Фиг. 28)
2. Монтирайте предпазителя на режещата приставка на двусекционния вал и го затегнете с болта (С).

### За отстраняване на предпазителя на режещата приставка

- Разхлабете болта (С) и отстранете предпазителя на режещата приставка (А) от двусекционния вал. (Фиг. 29)

### Монтиране на тримерните глави



#### ПРЕДУПРЕЖДЕНИЕ:

При монтиране на режещата приставка е от изключителна важност повдигнатата част на задвижващия диск/опорния фланец да попадне правилно в централния отвор на режещата приставка. Ако монтирате режещата приставка неправилно, това може да доведе до сериозна и/или смъртоносна телесна повреда.



#### ПРЕДУПРЕЖДЕНИЕ:

При никакви обстоятелства не бива да се използва режеща приставка без одобрен предпазител. Направете справка с *Принадлежности на страница 36*. Ако се използва неподходящ или неизправен предпазител, това може да причини сериозна телесна повреда.

### За прикрепване на тримерната глава

1. Поставете задвижващия диск (В) върху изходния вал.
2. Завъртете изходния вал, докато един от отворите в задвижващия диск се изравни със съответния отвор в корпуса на скоростната кутия.
3. Поставете шплинта (С) в отвора, за да заключи двусекционния вал.
4. Завъртете тримерната глава (Н) обратно на часовниковата стрелка за прикрепване. (Фиг. 30)

### За премахване на тримерната глава

1. Поставете шплинта (С) в отвора, за да заключи двусекционния вал.
2. Завъртете тримерната глава (Н) по часовниковата стрелка, за да я премахнете.
3. Премахнете задвижващия диск (В) от изходния вал. (Фиг. 30)

---

# Операция

---

## Въведение



**ПРЕДУПРЕЖДЕНИЕ:** Прочетете и разберете раздела с инструкции за безопасност преди използване на продукта.

## За свързване на батерията към продукта



**ПРЕДУПРЕЖДЕНИЕ:** Използвайте само оригинални батерии Husqvarna с продукта.

1. Уверете се, че батерията е напълно заредена.
2. Притиснете акумулаторната батерия в държача на батерията на продукта. Батерията се заключва в позиция, когато чуете щракване. (Фиг. 31)



**ВНИМАНИЕ:** Ако батерията не влезе лесно в държача, значи тя не е поставена правилно. Това може да повреди продукта.

3. Уверете се, че батерията е поставена правилно.

## Работно положение

- Дръжте продукта с 2 ръце.
- Дръжте продукта отдясно на тялото си.
- Дръжте режещото оборудване под нивото на кръста си.
- Дръжте частите на тялото си далеч от горещи повърхности.
- Дръжте частите на тялото си далеч от режещото оборудване.

## Преди да започнете работа с продукта

- Прегледайте работната площ, за да се уверите, че познавате типа на терена, наклона на земята и дали има някакви препятствия, като например камъни, клони и канавки.
- Извършете цялостна инспекция на продукта.
- Извършете инспекциите за безопасност, техническо обслужване и обслужване, които са посочени в това ръководство.
- Уверете се, че всички капази, предпазители, ръкохватки и режещо оборудване са правилно закрепени и не са повредени.
- Проверете опорния фланец за пукнатини. Сменете опорния фланец, ако е повреден.

(Фиг. 32)

- Проверете тримерната глава и предпазителя на режещото оборудване за повреди и пукнатини. Подменете тримерната глава и предпазителя на режещото оборудване, ако са били ударени или ако по тях има пукнатини.

(Фиг. 33)

## За стартиране на продукта

1. Натиснете и задръжте бутона за стартиране, докато зеленият светодиод не светне. (Фиг. 34)
2. Използвайте захранващия спусък, за да контролирате скоростта.

## За ограничаване на максималната скорост с бутона за режим

Този продукт има бутон за режим. С бутона за режим операторът може да ограничи максималната скорост. Бутонът за режим има 3 нива за обороти. По-ниско ниво увеличава времето на работа на продукта. Използвайте ниво 1 и ниво 2, ако работата не изисква пълни обороти/пълна мощност. Ако условията на работа изискват пълни обороти/пълна мощност, използвайте ниво 3. Не използвайте по-високо ниво от необходимото за работа.

1. Натиснете бутона за режим, за да зададете ограничение за максималните обороти. Белите светодиоди ще светнат, за да покажат, че функцията е включена. (Фиг. 35)
2. Натиснете бутона за режим отново, за да изберете следващото ниво на скорост.

## Функция за автоматично изключване

Продуктът разполага с функция за изключване, която дезактивира продукта, ако той не се използва.

## Дооформяне на трева с тримерна глава

### За кастрене на трева

1. Дръжте тримерната глава непосредствено над земята под ъгъл. (Фиг. 36) Не натискайте кордата на тримера за трева в тревата.
2. Използвайте 80% от оборотите, когато косите трева близо до предмети. (Фиг. 37)

### За рязане на трева

1. Уверете се, че кордата на тримера за трева е успоредна на земята, когато режете. (Фиг. 38)
2. Не натискайте тримерната глава към земята. Можете да повредите земята и продукта.

3. Не позволявайте на тримерната глава непрекъснато да докосва земята, това може да причини повреда на тримерната глава.
4. Работете на пълна скорост, когато местите продукта от едната към другата страна за косене на трева. (Фиг. 39) Уверете се, че кордата на тримера за трева е успоредна на земята.

### За почистване на трева

Въздушният поток от кабела на въртящия се тример може да се използва за отстраняване на отрязана трева от зоната.

1. Хванете тримерната глава и кабела успоредно на земята и над нея.
2. Приложете пълни обороти.
3. Движете тримерната глава от едната страна до другата и почиствайте тревата.



### ПРЕДУПРЕЖДЕНИЕ:

Почиствайте капака на тримерната глава всеки път, когато монтирате нов шнур на тримера, за да предотвратите нарушаване на баланса и вибрации в ръкохватките. Освен това извършете проверка на другите части на тримерната глава и я почиствайте, ако е необходимо.

### За спиране на продукта

1. Освободете захранващия спусък или блокировката на захранващия спусък.
2. Натиснете бутона за спиране. (Фиг. 34)
3. Натиснете бутоните за освобождаване на акумулаторната батерия и извадете акумулаторната батерия. (Фиг. 40)

## Поддръжка

### Въведение



**ПРЕДУПРЕЖДЕНИЕ:** Преди да извършите техническо обслужване, трябва да прочетете и разберете главата за безопасност.

Следва списък със стъпките от техническото обслужване, които трябва да изпълните за Вашия продукт.

### Разписание за техническо обслужване



**ПРЕДУПРЕЖДЕНИЕ:** Отстранете акумулаторната батерия, преди да извършите техническото обслужване.

Техническо обслужване	Еже-дневно	Всяка седмица	Всеки месец
Почиствайте външните части на продукта със суха кърпа. Не използвайте вода.	X		
Проверете дали бутонът за стартиране и спиране работи правилно и не е повреден.	X		
Уверете се, че захранващият спусък и блокировката на захранващия спусък работят правилно от гледна точка на безопасността.	X		
Уверете се, че всички контролни органи работят и не са повредени.	X		
Поддържайте ръкохватките сухи, чисти, без масло и грес.	X		
Уверете се, че режещата приставка не е повредена. Сменете режещата приставка, ако е повредена.	X		
Уверете се, че предпазителят на режещата приставка или ножът не е повреден. Сменете предпазителя на режещата приставка или ножа, ако е повреден.	X		



Техническо обслужване	Еже-дневно	Всяка седмица	Всеки месец
Уверете се, че всички винтове и гайки са затегнати.	X		
Уверете се, че бутоните за освобождаване на акумулаторната батерия работят и заключват батерията в продукта.	X		
Уверете се, че акумулаторната батерия не е повредена.	X		
Уверете се, че акумулаторната батерия е заредена.	X		
Уверете се, че зарядното устройство за акумулаторни батерии не е повредено и работи изправно.	X		
Проверете всички кабели, съединения и връзки. Уверете се, че не са повредени и че са чисти.		X	
Уверете се, че ъгловата зъбна предавка е напълнена правилно с грес, направете справка с <i>За да смажете ъгловата зъбна предавка на страница 33</i> . Ако не е, използвайте грес за ъглова зъбна предавка на Husqvarna.		X	
Проверете връзките между акумулаторната батерия и продукта. Проверете връзката между акумулаторната батерия и зарядното устройство.			X

## За почистване на продукта, батерията и зарядното устройство

1. Почиствайте продукта със сух парцал след употреба.
2. Почиствайте батерията и зарядното устройство със сух парцал. Дръжте водачите на батерията чисти.
3. Уверете се, че клемите на батерията и зарядното устройство са чисти, преди батерията да е поставена в зарядното устройство или в продукта.

## За да смажете ъгловата зъбна предавка

1. Отстранете режещото оборудване.
2. Поставете продукта с пробката на отвора за гресиране в най-високо положение.

3. Отстранете пробката на отвора за гресиране. (Фиг. 41)
4. Погледнете през отвора на пробката за гресиране и завъртете задвижващия вал. Нивото на греста (А) трябва да е наравно с горната част на зъбите на предавката (В). (Фиг. 42)
5. Ако нивото на греста е твърде ниско, напълнете ъгловата зъбна предавка с грес за ъглова зъбна предавка на Husqvarna. Пълнете бавно и въртете задвижващия вал, докато нанасяте греста за ъглова зъбна предавка, спрете при достигане на правилното ниво (В).



**ВНИМАНИЕ:** Неправилното количество грес може да причини повреда на ъгловата зъбна предавка.

6. Монтирайте пробката на отвора за гресиране.

## Отстраняване на проблеми

### Потребителски интерфейс

Проблем	Възможни неизправности	Възможно действие
Светодиодният индикатор за акумулаторната батерия мига в оранжево	Ниско напрежение на акумулаторната батерия.	Заредете акумулаторната батерия.

Проблем	Възможни неизправности	Възможно действие
Светодиодът за грешка мига в червено	Претоварване.	Режещата приставка е блокирала. Спрете продукта. Отстранете акумулаторната батерия. Почистете режещата приставка от нежелани материали.
	Температурно отклонение.	Оставете продукта да се охлади.
	Захранващият спусък и бутонът за активиране са натиснати едновременно.	Освободете захранващия спусък и продуктът е активен.
Продуктът не се стартира	Замърсявания в конекторите на акумулаторната батерия.	Почистете конекторите на акумулаторната батерия със състен въздух или с мека четка.
Светодиодът за грешка свети с червена светлина	Продуктът се нуждае от сервизно обслужване.	Свържете се със своя сервиз.

## Транспортиране, съхранение и изхвърляне

### Транспорт и съхранение

- Доставените литиево-йонни батерии отговарят на изискванията на законодателството за опасни продукти.
- Специалното изискване на опаковката и етикетите за търговско транспортиране трябва да се спазва, включително от трети страни и следитори.
- Говорете с човек, преминал специално обучение за работа с опасни материали, преди да изпратите продукта. Спазвайте всички приложими национални наредби.
- Поставете тиксо върху откритите терминали, когато поставяте батерията в опаковка. Поставете акумулатора плътно в опаковката, за да предотвратите движение.
- Извадете батерията при съхраняване или транспортиране.
- Поставете батерията и зарядното устройство в сухо пространство, в което няма влага и скреж.
- Не съхранявайте акумулатора на места, където може да се натрупа статично електричество. Не съхранявайте акумулатора в метална кутия.
- Поставете акумулаторната батерия за съхранение при температура между 5°C/41°F и 25°C/77°F и далеч от пряка слънчева светлина.
- Поставете зарядното устройство за съхранение при температура между 5°C/41°F и 45°C/113°F и далеч от пряка слънчева светлина.
- Използвайте зарядното устройство само когато околната температура е между 5°C/41°F и 40°C/104°F.

- Заредете батерията между 30% и 50%, преди да я оставите за съхранение за продължително време.
- Съхранявайте зарядното устройство в затворено и сухо пространство.
- При съхранение дръжте акумулатора и зарядното устройство отделно. Не позволявайте на деца или други неодобриени лица да имат контакт с оборудването. Дръжте оборудването в пространство, което можете да заключвате.
- Почистете продукта и извършете пълно обслужване, преди да го съхранявате продължително време.
- Използвайте защитата при транспортиране на продукта, за да предотвратите наранявания или повреди на продукта по време на транспортиране и съхранение.
- Закрепете продукта безопасно при транспортиране.

### Изхвърляне на батерията, зарядното устройство и продукта

Символите на продукта или на неговата опаковка означават, че той не е битов отпадък. Рециклирайте го в пункт за рециклиране за електрическо и електронно оборудване. Това помага да се предотврати увреждане на околната среда или на хора.

Свържете се с местните служби, местна сметосъбираща организация или с Вашия дилър за повече информация относно рециклирането на продукта.

## Технически данни

### Технически характеристики

	<b>325iL</b>
<b>Двигател</b>	
Тип на двигателя	BLDC (безчетков) 36 V
Скорост на изходния вал, 1/мин	5800
Ширина на рязане, mm	420
<b>Тегло</b>	
Тегло без акумулаторната батерия и режещата приставка, kg	3,0
<b>Шумови емисии</b> <sup>4</sup>	
Ниво на звуковата мощност, измерено, измерена dB (A)	93
Ниво на звуковата мощност, гарантирано L <sub>WA</sub> dB (A)	96
<b>Нива на шума</b> <sup>5</sup>	
Еквивалентно ниво на звуковото налягане при ухото на оператора, измерено съгласно ISO 22868, dB (A):	
Оборудван с тримерна глава (оригинална)	84
<b>Нива на вибрациите</b> <sup>6</sup>	
Нива на вибрациите при ръкохватките, измерени съгласно ISO 22867, m/s <sup>2</sup>	
Оборудван с тримерна глава (оригинална), отпред/отзад, m/s <sup>2</sup>	4,3/2,9

### Одобрени акумулатори

<b>Акумулатор</b>	<b>BLi 200</b>
Тип	Литиево-йонен
Капацитет на акумулаторната батерия, Ah	5,2

<sup>4</sup> Емисии на шума в околната среда, измерени като звукова мощност (LWA) в съответствие с директива на ЕО 2000/14/ЕО. Отчетените нива на шума за машината са измерени с оригиналното режещо оборудване, което дава най-високото ниво. Разликата между гарантираното и измереното ниво на шума е в това, че гарантираното ниво на шума включва също и дисперсията в резултатите от измерването, както и вариациите между различните машини от един и същи модел в съответствие с Директива 2000/14/ЕО.

<sup>5</sup> Отчетените данни за ниво на звуково налягане за машината имат типична статистическа дисперсия (стандартно отклонение) от 3 dB (A) и са измерени с оригиналната приставка, която осигурява най-високото ниво.

<sup>6</sup> Отчетените данни за нивото на вибрациите имат типична статистическа дисперсия (стандартно отклонение) от 2 m/s<sup>2</sup>. За сравняване на нивата на вибрациите, акумулаторната батерия и продуктите с вътрешно горене използвайте калкулатора на вибрациите. <https://www.husqvarna.com/uk/services-solutions/vibration-calculator/>.

<b>Акумулатор</b>	<b>BLi 200</b>
Номинално напрежение, V	36
Тегло, kg (lb)	1,3 (2,9)

### Одобрени зарядни устройства

<b>Зарядно устройство за акумулаторна батерия</b>	<b>QC330</b>
Входно напрежение, V	100 – 240
Честота, Hz	50 – 60
Мощност, W	330

---

## Принадлежности

---

### Принадлежности

Одобрени принадлежности	Тип принадлежности	Защита за режещо оборудване, арт. №
Централен отвор в резци/ножове, Ø 25,4 mm		
Изходен вал, резба M10		
Тримерна глава	T35 (Усукана корда на тримера Whisper, максимум Ø 2,4 mm)	597 01 62-02

# Декларация за съответствие

## Декларация за съответствие на ЕС

Ние, **Husqvarna AB**, SE-561 82 Huskvarna, Швеция,  
тел.: +46-36-146500, декларираме на своя собствена  
отговорност, че продуктът:

<b>Описание</b>	Триммер за трева с акумулаторна батерия
<b>Марка</b>	Husqvarna
<b>Тип/модел</b>	325iL
<b>Идентификация</b>	Серийни номера от 2023 и нататък

отговаря напълно на следните директиви и  
регламенти на ЕС:

<b>Директива/регламент</b>	<b>Описание</b>
2006/42/ЕО	"относно машините"
2014/30/EMC	"относно електромагнитната съвместимост"
2011/65/ЕС	"относно ограничението за опасни вещества"
2000/14/ЕО	"относно шума извън сградите"

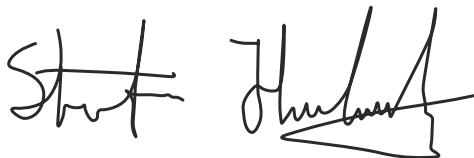
и че следните стандарти и/или технически  
спецификации са приложени: EN 62841-1:2015/  
AC:2015, EN 62841-4-4 (IEC 62841-4-4:2020),  
EN 61000-6-1:2007 (Immunity), EN 61000-6-3:2007/  
A1:2011/AC:2012 (Emission).

RISE SMP Svensk Maskinprovning AB, Box 4053,  
SE-904 03 Umeå, Sweden, извърши доброволно  
изпитване на типа съгласно приложение IX на  
2006/42/ЕО. Сертификат №: SEC/23/2579.

Notified body: 0404, RISE SMP Svensk Maskinprovning  
AB, Box 4053, SE-904 03 Umeå, Sweden, има  
и потвърдено съответствие с приложение VI на  
Директива на Съвета 2000/14/ЕО.

За информация относно шумовите емисии  
направете справка с *Технически данни на страница  
35*.

Huskvarna, 2022-12-01



Стефан Холмберг, директор по развойна дейност,  
управление на технологиите, Husqvarna AB

Отговорен за техническата документация



---

# Obsah

---

Úvod.....	38	Přeprava, skladování a likvidace.....	49
Bezpečnost.....	39	Technické údaje.....	50
Montáž.....	45	Příslušenství.....	51
Provoz.....	46	Prohlášení o shodě.....	52
Údržba.....	47	Příloha .....	447
Odstraňování problémů.....	49		

---

## Úvod

---

### Popis výrobku

Husqvarna 325iL je akumulátorový vyžinač s elektrickým motorem.

Nepřetržitě pracujeme na tom, abychom zvýšili vaši bezpečnost a efektivitu při používání. Další informace získáte u svého prodejce poskytujícího servis.

### Zamýšlené použití

Aby bylo možné posekat různé typy porostu, použijte výrobek se strunovou hlavou. Nepoužívejte výrobek

### Popis výrobku

(Obr. 1)

1. Návod k používání
2. Úhlová převodovka
3. Otvor pro pojistný čep
4. Strunová hlava
5. Kryt sekacího nástavce
6. Hnací kotouč
7. Kombinovaný klíč
8. Držadlo ve tvaru „D“
9. Knoflík
10. Hřídel
11. Pojistný čep
12. Varovná kontrolka LED
13. Vypínač
14. Tlačítko režimu otáček
15. Pojistka páčky spínače
16. Uživateléské rozhraní
17. Páčka spínače
18. Kabel nabíječky baterií
19. Nabíječka baterií
20. Indikátor napájení a výstražná kontrolka LED
21. Tlačítka pro uvolnění baterie
22. Baterie
23. Kontrolka LED stavu nabití
24. Výstražná kontrolka LED
25. Tlačítko ukazatele stavu baterie

k jiným činnostem, než je vyžínání trávy a travního porostu.

**Povšimněte si:** Použití může být upraveno národními nebo místními předpisy. Dodržujte příslušné předpisy.

Výrobek použijte výhradně s příslušenstvím, které doporučuje výrobce. Viz *Příslušenství na strani 51*.

### Symbyly na výrobku

(Obr. 2) **VAROVÁNÍ!** Tento výrobek může být nebezpečný! Nepozorné nebo nesprávné použití může vést k vážnému nebo smrtelnému zranění uživatele nebo někoho jiného. Je mimořádně důležité, abyste si prostudovali tento návod k používání a pochopili jeho obsah. Přečtěte si pozorně tento návod k používání a nepoužívejte výrobek, pokud mu zcela nerozumíte.

(Obr. 3) Vždy používejte schválenou ochranu sluchu. Vždy používejte schválenou ochranu očí.

(Obr. 4) Maximální otáčky nebo otáčky bez zatížení.

XXXX /min  
nebo min<sup>-1</sup> | Otáčky za minutu.

(Obr. 5) Jmenovité napětí, V

(Obr. 6) Stejnosměrný proud.

(Obr. 7) Výrobek odpovídá příslušným směrnicím ES.

- (Obr. 8) Tento výrobek vyhovuje platným předpisům Spojeného království. prostředky, může dojít k vážnému poranění očí.
- (Obr. 9) Používejte schválené ochranné rukavice. (Obr. 14) Před údržbou odpojte baterii.
- (Obr. 10) Používejte odolnou obuv s protiskluzovou podrážkou. (Obr. 15) Výrobek má ochranu proti stříkající vodě.
- (Obr. 11) Používejte pouze nekovové flexibilní sekací nástavce. (Obr. 16) Všechny části těla udržujte mimo dosah horkých povrchů.
- (Obr. 12) Symboly na výrobku nebo jeho obalu označují, že tento výrobek nesmí být likvidován jako domácí odpad. Výrobek musí být odevzdán do příslušného recyklačního zařízení. (Obr. 17) Štítek s emisemi hluku do okolí podle směrnic a předpisů Evropské unie a Spojeného království a nařízení o regulaci hluku v australském Novém Jižním Walesu „Protection of the Environment Operations (Noise Control) Regulation 2017“. Garantovaná hladina akustického výkonu tohoto výrobku je uvedena v části *Technické údaje na strani 50*.
- (Obr. 13) Nástavec může velkou silou odmrštit předměty, které se mohou odrazit zpět. Pokud nepoužíváte doporučené ochranné

yyyywwxxxx

Typový štítek s výrobním číslem. **yyyy** znamená rok výroby, **ww** znamená týden výroby a **xxxx** je sériové číslo.

(Obr. 18)

Obsluha musí zajistit, aby se v okruhu menším než 15 metrů nevyskytovaly žádné osoby ani zvířata. Pokud pracuje několik pracovníků na stejné ploše, musí být dodržována bezpečná vzdálenost rozestupů minimálně 15 metrů.

**Povšimněte si:** Další symboly/štítky na produktu se týkají certifikačních požadavků pro další komerční oblasti.

## Poškození výrobku

Neneseme odpovědnost za poškození výrobku, pokud:

- byl výrobek nesprávně opraven.
- byl výrobek opraven pomocí součástí od jiného výrobce nebo součástí, které nejsou výrobcem schváleny.
- má výrobek příslušenství od jiného výrobce nebo příslušenství, které není výrobcem schváleno.
- výrobek nebyl opraven ve schváleném servisním středisku nebo schváleným odborníkem.

## Bezpečnost

### Definice týkající se bezpečnosti

Varování, upozornění a poznámky slouží jako upozornění na specifické důležité části návodu.



**VÝSTRAHA:** Používá se v případě nebezpečí úrazu nebo usmrcení obsluhy nebo okolních osob, pokud nejsou dodrženy pokyny uvedené v této příručce.



**VAROVÁNÍ:** Používá se v případě nebezpečí poškození výrobku, dalších materiálů či škod na majetku v blízkém okolí, pokud nejsou dodrženy pokyny uvedené v této příručce.

**Povšimněte si:** Používá se k poskytnutí dalších informací, které jsou nezbytné v dané situaci.

### Obecné bezpečnostní výstrahy pro elektrické nářadí



**VÝSTRAHA:** Prohlédněte si všechny bezpečnostní pokyny, pokyny, ilustrace a technické údaje dodané s tímto elektrickým nástrojem. Při nedodržení některého z pokynů uvedených níže může dojít k úrazu elektrickým proudem, požáru nebo vážnému poranění.

- **Uložte si veškerá upozornění a pokyny pro použití v budoucnu.** Termín „elektrický nástroj“

v upozorněních označuje buď nástroj napájený ze sítě (kabelem), nebo napájený baterií (bezdrátový).

## Bezpečnost pracovního prostoru

- **Udržujte pracovní prostor čistý a dobře osvětlený.** Přeplněné či tmavé prostory nahrávají nehodám.
- **Nepoužívejte elektrické nástroje ve výbušném prostředí, například v přítomnosti hořlavých kapalin, plynů či prachu.** Elektrické nástroje vytvářejí jiskry, které mohou zapálit prach nebo výpary.
- **Při práci s elektrickým nástrojem musí být děti i okolostojící osoby v dostatečné vzdálenosti.** Rozptýlení může způsobit, že ztratíte kontrolu nad nástrojem.

## Bezpečnost při používání el. energie

- **Zástrčky elektrických nástrojů musí odpovídat elektrické zásuvce. Nikdy zásuvku žádným způsobem neupravujte. U uzemněných elektrických nástrojů nepoužívejte žádné adaptéry.** Původní zástrčky a odpovídající zásuvky snižují nebezpečí úrazu elektrickým proudem.
- **Zabraňte tělesnému kontaktu s uzemněnými povrchy, např. trubkami, radiátory, sporáky a chladničkami.** Pokud je lidské tělo uzemněno, hrozí větší nebezpečí úrazu el. proudem.
- **Nevystavujte elektrické nástroje dešti nebo působení vlhkosti.** Pokud do elektrického nástroje vnikne voda, zvyšuje se nebezpečí úrazu elektrickým proudem.
- **Nezacházejte hrubě s napájecím kabelem. Nikdy elektrický nástroj nenoste za kabel. Za kabel netahajte a neodpojujte nástroj od sítě taháním za kabel. Nevystavujte napájecí kabel působení tepla, oleje, nepoškodte ho ostrými hranami nebo pohyblivými částmi.** Poškození nebo ohnutí kabel zvyšuje nebezpečí úrazu elektrickým proudem.
- **Při používání elektrického nástroje venku použijte prodlužovací kabel určený pro venkovní použití.** Použití kabelu určeného pro venkovní použití snižuje nebezpečí úrazu elektrickým proudem.
- **Pokud je nezbytné pracovat s el. nástrojem ve vlhkém prostředí, použijte zdroj s proudovým chráničem.** Použití proudového chrániče snižuje nebezpečí úrazu elektrickým proudem.

## Osobní bezpečnost

- **Při práci s elektrickým nástrojem dávejte pozor, sledujte, co děláte a používejte zdravý rozum. Nepracujte s elektrickým nástrojem, pokud jste unaveni nebo jste pod vlivem drog, alkoholu či léků.** Při práci s elektrickým nástrojem stačí okamžik nepozornosti a následkem může být vážný úraz.
- **Používejte osobní ochranné pomůcky. Vždy používejte ochranu zraku.** Ochranné vybavení, např. protiprachová maska, neklouzavá ochranná obuv, přilba nebo ochrana sluchu, použité správným způsobem snižují nebezpečí úrazu.
- **Zabraňte náhodnému spuštění. Před připojením k el. napájení nebo vložením baterií, zvednutím nebo**

**nošením nástroje se přesvědčte, že je vypínač v poloze vypnuto.** Přenášením elektrických nástrojů s prstem na spoušti nebo zapnutých elektrických nástrojů nahráváte nehodám.

- **Před zapnutím el. nástroje vyjměte jakýkoli seřizovací klíč nebo klíč na matice.** Klíč ponechaný na rotující části el. nástroje může způsobit úraz.
- **Nenatahujte se příliš daleko. Neustále pevně stůjte a držte rovnováhu.** Budete tak mít lepší kontrolu nad nástrojem v neočekávaných situacích.
- **Noste vhodný oděv. Nenoste volné oblečení ani šperky. Udržujte vlasy a oděv mimo dosah pohyblivých částí.** Pohyblivé části mohou zachytit volný oděv, šperky nebo dlouhé vlasy.
- **Pokud jsou zařízení přizpůsobena pro připojení odsávačů a lapačů prachu, musí být připojeny a správně použity.** Použitím lapačů prachu snižujete rizika spojená s výskytem prachu.
- **Nedovoňte, aby rutina nabytá častým používáním nástrojů způsobila, že začnete být neopatrní a budete ignorovat bezpečnostní zásady při zacházení s nástrojem.** Neopatrný úkon může způsobit vážné zranění ve zlomku sekundy.

## Použití elektrických nástrojů a péče o ně

- **Při práci s elektrickými nástroji nepoužívejte násilí. Používejte správný elektrický nástroj pro danou aplikaci.** Správný elektrický nástroj vykoná práci lépe a bezpečněji rychleji, pro kterou byl navržen.
- **Nepoužívejte el. nástroj, pokud nefunguje vypínač pro zapnutí a vypnutí.** Každý elektrický nástroj, který nelze ovládat vypínačem, je nebezpečný a musí se opravit.
- **Před jakýmkoli nastavením, výměnou příslušenství nebo uložením elektrického nástroje odpojte zástrčku od napájení nebo vytáhněte z nástroje baterie, pokud je to možné.** Takováto preventivní bezpečnostní opatření snižují riziko náhodného spuštění el. nástroje.
- **Nepoužívané el. nástroje ukládejte mimo dosah dětí a nedovoňte, aby s nástrojem pracovaly osoby, které ho dobře neznají nebo si nepřčetly tento návod k použití nástroje.** Elektrické nástroje jsou v rukou neproškolených uživatelů nebezpečné.
- **Udržujte elektrické nástroje a příslušenství. Kontrolujte chybné zarovnání nebo sporné pohyblivých částí, rozbití jakýchkoli částí nebo jiné stavy, které mohou ovlivnit provoz elektrického nástroje. Pokud je elektrický nástroj poškozen, nechte ho opravit.** Mnohé nehody jsou způsobeny špatnou údržbou elektrických nástrojů.
- **Udržujte řezací nástroje ostré a čisté.** Správně udržované řezací nástroje s ostrými ostřími jsou méně náchylné k „zakousnutí“ a snadněji se ovládají.
- **Používejte elektrický nástroj, příslušenství a vsazené nože podle těchto pokynů. V úvahu je třeba brát pracovní podmínky a prováděnou práci.** Použitím elektrického nástroje k jinému účelu, než pro který



je určen, může mít za následek vznik nebezpečné situace.

- **Rukojeti a uchopovací plochy udržujte suché, čisté a bez zbytků oleje a maziva.** Kluzké rukojeti a uchopovací plochy neumožňují bezpečné ovládání a v neočekávaných situacích může dojít ke ztrátě kontroly.

## Použití nástrojů napájených z baterie a péče o ně

- **Baterii dobíjejte pouze nabíječkou specifikovanou výrobcem.** Použití nabíječky vhodné pro jeden typ baterie může pro jiný typ baterie představovat nebezpečí vzniku požáru.
- **Elektrické nástroje používejte pouze s příslušnými speciálními bateriovými modely.** Při použití jakékoli jiné baterie hrozí riziko úrazu a požáru.
- **Když baterii nepoužíváte, udržujte ji stranou od kovových předmětů, např. kancelářských sponek, mincí, klíčů, hřebíků, šroubů nebo jiných malých kovových předmětů, které by mohly spojit kontakty baterie.** Při zkratování kontaktů baterie může dojít k popáleninám nebo k požáru.
- **V nevhodných podmínkách může dojít k vytečení kapaliny z baterie. Vyvarujte se kontaktu s kapalinou. Pokud dojde k náhodnému kontaktu, opláchněte postižené místo vodou. Při zasažení očí kapalinou vyhledejte lékařskou pomoc.** Kapalina vyteká z baterie může způsobit podráždění nebo popáleniny.
- **Nepoužívejte poškozenou nebo upravenou baterii nebo výrobek.** Poškozené nebo upravené baterie mohou vykazovat neočekávané chování vedoucí k požáru, výbuchu nebo nebezpečí poranění.
- **Nevystavujte baterii ani nástroj ohni a nadměrným teplotám.** Vystavení ohni a teplotám nad 130 °C může způsobit explozi.
- **Dodržujte veškeré pokyny k nabíjení a nenabíjejte baterii ani nástroj mimo rozsah teplot uvedený v pokynech.** Nesprávné nabíjení nebo nabíjení při teplotách mimo uvedený rozsah může mít za následek poškození baterie a zvýšené nebezpečí požáru.

## Servis

- **Servis elektrického nástroje smí provádět pouze kvalifikovaná osoba za použití identických náhradních součástí.** Tím bude zajištěna bezpečnost elektrického nástroje.
- **Nikdy neprovádějte servis poškozených baterií.** Servis baterií smí provádět pouze výrobce nebo autorizovaný servis.

## Bezpečnostní upozornění pro vyžínáč a křovinořez

- **Stroj nepoužívejte za špatného počasí, zejména pokud hrozí riziko blesku.** Snížíte tak riziko zasažení bleskem.

- **Důkladně zkontrolujte, zda se v prostoru, kde chcete stroj používat, nenachází žádná zvířata.** Během provozu může dojít ke zranění divoké zvěře.
- **Důkladně zkontrolujte prostor, kde chcete stroj používat, a odstraňte kameny, klacky, dráty, kosti a další předměty.** Odmrštěné předměty mohou způsobit zranění.
- **Před použitím stroj vždy pečlivě prohlédněte a zkontrolujte, zda není poškozen sekací nástroj nebo kotouč nebo jejich sestavy.** Poškozené součásti zvyšují riziko poranění.
- **Dodržujte pokyny pro výměnu příslušenství.** Nesprávně utažené matice nebo šrouby, které zajišťují kotouč, mohou poškodit kotouč nebo vést k jeho odpojení.
- **Jmenovitě otáčky sekacího nástroje musí být alespoň rovny maximálním otáčkám vyznačeným na stroji.** Sekací nástroje, které se pohybují rychleji, než jsou jejich jmenovité otáčky, mohou prasknout a vylétnout z výrobku.
- **Používejte ochranu očí, uší, hlavy a rukou.** Vhodné ochranné prostředky snižují nebezpečí úrazu odlétávajícími úlomky nebo náhodným kontaktem s vyžínací strunou nebo kotoučem.
- **Při práci se strojem vždy noste ochrannou protiskluzovou obuv. Neprovozujte stroj naboso nebo v otevřených sandálech.** Tím snížíte riziko poranění nohou při kontaktu s pohybujícím se sekacím zařízením, strunou nebo kotoučem.
- **Při provozu stroje vždy noste dlouhé kalhoty.** Odhalená pokožka zvyšuje riziko zranění odletujícími předměty.
- **Během provozu zajistěte bezpečnou vzdálenost dalších osob od stroje.** Odmrštěné úlomky mohou způsobit vážné zranění.
- **Při provozu stroje vždy používejte obě ruce.** Držení stroje oběma rukama zabrání ztrátě kontroly.
- **Držte stroj pouze za izolované úchopy, protože vyžínací struna nebo kotouč by se mohly dostat do kontaktu se skrytou kabeláží.** Pokud se vyžínací struna nebo kotouč dostane do styku s kabelem, který je pod proudem, může dojít k probíjení odkrytých kovových částí stroje a obsluha může utrpět úraz elektrickým proudem.
- **Vždy udržujte správný postoj a pracujte se strojem pouze tehdy, když stojíte na zemi.** Na kluzkém nebo nestabilním povrchu může dojít ke ztrátě rovnováhy nebo kontroly nad strojem.
- **Nepřibližte se strojem na příliš strmých svazích.** Snížíte tak riziko ztráty kontroly, uklouznutí, pádu a možného úrazu.
- **Při práci na svazích dbejte na to, abyste stáli pevně, pohybovali se napříč svahem a nikdy ne do kopce nebo z kopce. Dbejte zvýšené opatrnosti při změně směru.** Snížíte tak riziko ztráty kontroly, uklouznutí, pádu a možného úrazu.
- **Při provozu stroje udržujte všechny části těla v bezpečné vzdálenosti od sekacího nástroje, struny nebo kotouče. Před spuštěním stroje se ujistěte,**

**že se sekací zařízení, struna nebo kotouč ničeho nedotýkají.** Při práci se strojem stačí okamžik nepozornosti a následkem může být zranění vás nebo dalších osob.

- **Při práci držte stroj pod úroveň pasu.** Tím zabráníte nechtěnému kontaktu se sekacím nástrojem nebo kotoučem a budete mít lepší kontrolu nad strojem v neočekávaných situacích.
- **Při řezání napruženého keře nebo mladého stromku dávejte pozor, aby se neodpružily zpět.** Když povolí napětí dřevních vláken, keř nebo mladý stromek může udeřit obsluhu nebo odmrstit stroj tak, že nad ní obsluha ztratí kontrolu.
- **Dávejte mimořádný pozor při řezání keřů a mladých stromků.** Tenký materiál může zachytit kotouč a může být vržen směrem k vám nebo vás vychýlit z rovnováhy.
- **Udržujte kontrolu nad strojem a nedotýkejte se sekacím nástrojů, strun nebo kotoučů a jiných nebezpečných pohyblivých součástí, pokud jsou stále v pohybu.** Tím snížíte riziko poranění pohyblivými součástmi.
- **Před odstraněním uvízlého materiálu nebo údržbou stroje se ujistěte, že je vše vypnuto a napájecí kabel je odpojen.** Neočekávané spuštění stroje při odstraňování uvízlého materiálu nebo servisu může vést k vážnému zranění osob.
- **Stroj přenášejte, pouze pokud je vypnutý a daleko od vašeho těla.** Správnou manipulací se strojem snížíte pravděpodobnost nechtěného kontaktu se sekacím nástrojem, strunou nebo kotoučem.
- **Při přepravě nebo skladování stroje vždy nasadte kryt na kovové kotouče.** Správnou manipulací se strojem snížíte pravděpodobnost nechtěného kontaktu s kotoučem.
- **Používejte pouze náhradní sekací nástroje, struny, řezací hlavy a kotouče specifikované výrobcem.** Nesprávné náhradní díly zvýší riziko rozbití stroje a zranění.

## Další obecné bezpečnostní informace

- Před přemístěním do jiné oblasti vypněte výrobek. Před předáním výrobku jiné osobě vždy vyjměte baterii.
- Nikdy neodkládejte výrobek, dokud jej nedeaktivujete a nevyjměte baterii. Nenechávejte výrobek bez dozoru, když je spuštěný.
- Žací nástroj se po vypnutí výrobku nezastaví okamžitě.
- Před použitím výrobku a po každém nárazu zkontrolujte, zda nevykazuje známky opotřebení a v případě potřeby proveďte nutné opravy.
- Pokud nějaký předmět uvízne v řezacím nástavci při použití výrobku, vypněte jej a deaktivujte. Zkontrolujte, zda se řezací nástavec zcela zastavil. Před kontrolou, čištěním nebo opravou výrobku nebo řezacího nástavce vyjměte baterii.
- Před použitím výrobek zkontrolujte. Viz část *Bezpečnostní zařízení na produktu na strani 44*

a *Údržba na strani 47*. Nepoužívejte vadný výrobek. Dodržujte pokyny pro kontrolu, údržbu a servis popsané v této příručce.

- Nesprávný řezací nástavec zvyšuje nebezpečí úrazu.
- Zkontrolujte, zda není znečištěná převodovka nebo zda na ní nejsou nějaké praskliny. Pomocí kartáče z převodovky očistěte trávu a listí. V případě potřeby použijte rukavice.
- Větrací otvory musí být za všech okolností průchozí a bez nečistot.
- Zkontrolujte, zda je žací hlavice zcela připojená k vyžinači.
- Před zahájením práce musí být upevněny všechny ochranné kryty a rukojeti.
- Zkontrolujte, zda je výrobek v perfektním provozním stavu. Zkontrolujte, zda jsou všechny matice a šrouby dotažené.
- Zkontrolujte strunovou hlavu a kryt vyžinače, zda nejsou poškozeny nebo nemají trhlinky. Vyměňte strunovou hlavu nebo ochranný kryt vyžinače, pokud byly vystaveny úderu nebo pokud jsou na nich praskliny. Vždy používejte doporučený kryt pro řezací nástavec, který používáte. Viz část *Příslušenství na strani 51*.
- Při neopatrném nebo nesprávném použití se stává tento výrobek velmi nebezpečným nástrojem. Tento výrobek může způsobit obsluhu a dalším osobám vážné zranění.
- Toto zařízení není určeno k použití osobami (včetně dětí) s omezenými fyzickými, smyslovými nebo duševními schopnostmi nebo s nedostatečnými zkušenostmi či znalostmi, pokud nejsou pod dozorem nebo pokud jim osobou zodpovídající za jejich bezpečnost nebyly sděleny pokyny k používání zařízení. Děti musí být pod dozorem, který zajistí, aby si se zařízením nehrály.
- Nenechte nikdy děti používat stroj nebo se zdržovat v jeho blízkosti. Jelikož lze zařízení snadno spustit, mohou jej spustit i děti, pokud nejsou celou dobu pod dozorem. Tím může dojít k nebezpečí vážného úrazu. Proto ze zařízení v době, kdy není plně pod dozorem, vždy vyjímejte baterii.
- Výrobek ani baterii nikdy nedovolte používat dětem nebo osobám, které nejsou k jejich používání vyškoleny.
- Skladujte zařízení v uzamykatelném prostoru mimo dosah dětí a nepovolných osob.
- Po celou dobu práce se strojem a obzvláště ve chvíli zapínání motoru držte ruce a nohy v bezpečné vzdálenosti od oblasti sečení.
- Při vypnutí výrobku se rukama ani nohama nepřibližujte k řezacímu nástavci, dokud se zcela nezastaví.
- Neodstraňujte posečený nebo pořezaný materiál ani jej nedovolte odstraňovat jiným osobám, pokud je výrobek aktivován nebo se sekací zařízení otáčí; může dojít k vážnému zranění.

- Odpovědností obsluhy je, aby lidé nebo jejich majetek byli chráněni před nehodami a dalšími riziky.
- Konstrukce produktu nesmí být za žádných okolností upravována bez svolení výrobce. Vždy používejte originální příslušenství. Nepovolené úpravy nebo příslušenství mohou vést k vážnému nebo smrtelnému zranění obsluhy nebo jiných osob. Vaše záruka se nemusí vztahovat na poškození krytu nebo odpovědnost za škody, pokud jsou způsobeny použitím neoprávněného příslušenství nebo náhradních dílů.
- Jediným příslušenstvím, které se smí používat spolu s tímto výrobkem, jsou sekací nástavce doporučené v kapitole Příslušenství. Viz část *Příslušenství na straně 51*.
- Nikdy nepoužívejte výrobek, jehož konstrukce byla jakkoli pozměněna oproti jeho původním specifikacím.
- Nikdy nepoužívejte výrobek, který není zcela v pořádku. Dodržujte pokyny pro kontroly, údržbu a servis popsané v této příručce. Některé úkony údržby a opravy mohou provádět pouze vyškolení a kvalifikovaní odborníci. Viz pokyny v části Údržba.
- Práce za nepříznivého počasí je únavná a často může zahrnovat další nebezpečí. Kvůli dalším možným nebezpečím nedoporučujeme používat stroj za špatného počasí, například v husté mlze, prudkém dešti, silném mrazu, při riziku výskytu blesků atd.
- Nikdy nepracujte ze žebříku, stoličky nebo v jiné zvýšené poloze, která není dokonale zajištěna.
- Skladujte zařízení ve vnitřních prostorech – zařízení je třeba uložit do vnitřního prostoru, pokud se nepoužívá.
- Není možné zmínit všechny představitelné situace, se kterými se můžete setkat. Buďte stále opatrní a používejte zdravý rozum. Vyhněte se všem situacím, o kterých se domníváte, že jsou nad vaše možnosti. Pokud si ani po přečtení tohoto návodu nebudete jisti, jak stroj správně používat, než budete pokračovat v práci, obraťte se na odborníka.
- Zajistěte, aby se během práce nevyskytovaly v okruhu 15 metrů žádné osoby nebo zvířata. Pokud na stejném pracovišti pracuje více uživatelů, musí být udržována bezpečnostní vzdálenost nejméně 15 m. Jinak hrozí nebezpečí vážného zranění osob. Jestliže se někdo přiblíží, okamžitě vypněte výrobek. Nikdy neotáčejte výrobek, aniž byste se nejprve podívali za sebe a zkontrolovali, zda se někdo nenachází v bezpečnostní zóně.
- Zajistěte, aby další osoby, zvířata nebo jiné věci nemohly ovlivnit vaši kontrolu nad výrobkem a aby nemohly přijít do kontaktu s řezacím nástavcem nebo volnými předměty, které odmrští řezací nástavec. Nepracujte ale s výrobkem, nemáte-li možnost přivolat pomoc v případě nehody.
- Ujistěte se, že se můžete volně pohybovat a bezpečně stát. Zkontrolujte, zda ve vašem bezprostředním okolí nejsou nějaké překážky (kořeny, kameny, větve, jámy, příkopy apod.), pro případ, že by bylo nutné se rychle přesunout. Zvláštní pozornost věnujte práci ve svažitém terénu.
- Stroj používejte za chůze, nikdy za běhu.
- Zkontrolujte pracovní prostor. Odstraňte veškeré volné předměty, jako jsou kameny, střepy, hřebíky, ocelové dráty, šňůry apod., které by mohly být odmrštěny nebo zachyceny sekacím zařízením nebo krytem sekacího zařízení.
- Dávejte pozor na větve nebo pahýly, které mohou během řezání odlétávat. Nesekejte příliš blízko u země, odkud by mohly odlétávat kameny nebo jiné předměty.
- Dbejte na to, aby se žádné části oděvu nebo těla nedostaly do kontaktu s řezacím nástavcem aktivovaného výrobku. Udržujte výrobek pod úrovní pasu.
- Dejte pozor na odmrštěné předměty. Použijte vždy schválenou ochranu očí. Nikdy se nenahýbejte nad kryt sekacího nástavce. Odlétávající kamení nebo jiný materiál může zasáhnout oči a způsobit oslepnutí nebo jiná vážná zranění.
- Používáte-li ochranu sluchu, vždy je nutné dávat pozor na výstražné signály nebo volání. Sejměte vždy ochranu sluchu ihned po zastavení výrobku.
- Pokud dojde k nežádoucím vibracím, poklepem vysuňte žací strunu na správnou délku a vibrace by měly přestat.
- Pokud výrobek začne nezvykle vibrovat, zastavte jej a vyměňte baterii.
- Nadměrné vystavení vibracím může u osob se zhoršenou funkcí krevního oběhu vést k poruchám oběhového nebo nervového systému. V případě, že byste pocítili příznaky obtíží způsobených nadměrným vystavením vibracím, obraťte se na svého lékaře. Mezi tyto příznaky patří strnulost končetin, ztráta citu, mravenčení, píchání, bolest, zeslábnutí, změna barvy nebo vzhledu pokožky. Tyto příznaky se obvykle objevují v prstech, na rukou nebo v zápěstí.
- Vždy držte výrobek oběma rukama. Výrobek držte po své pravé straně.

## Osobní ochranné prostředky



**VÝSTRAHA:** Před použitím výrobku si přečtěte následující varování.

- Při použití výrobku je nutné vždy používat schválené osobní ochranné prostředky. Osobní ochranné prostředky nemohou zcela eliminovat nebezpečí úrazu, ale v případě nehody pomáhají snížit míru poranění. Požádejte prodejce, aby vám pomohl vybrat správné vybavení.
- Používejte ochrannou přilbu tam, kde hrozí nebezpečí padajících předmětů.
- Použijte schválenou ochranu sluchu s dostatečným tlumicím účinkem. Dlouhodobé vystavování působení hluku může vést k trvalému poškození sluchu.

- Vždy používejte schválenou ochranu očí. Použijete-li štít, je nutno použít i schválené ochranné brýle. Schválené ochranné brýle musí být v souladu s normou ANSI Z87.1 v USA nebo EN 166 v zemích EU.

- Pro ochranu obličeje používejte ochranný štít. Ochranný štít není dostatečná ochrana očí.

(Obr. 19)

- Při určitých činnostech používejte rukavice, například při nasazování, prohlídce nebo čištění řezacího zařízení.
- Používejte pevnou, nekouzavou obuv.
- Noste oblečení vyrobené z pevné tkaniny. Vždy používejte silné, dlouhé kalhoty a dlouhé rukávy. Nepoužívejte volné oblečení, které se může zachytit o keře nebo větve. Nepoužívejte šperky, krátké kalhoty nebo sandály a nepracující boty. Stáhněte si vlasy bezpečně nahoru nad úroveň ramen.

(Obr. 20)

- Mějte při ruce lékárníčku.

(Obr. 21)

## Bezpečnostní zařízení na produktu



**VÝSTRAHA:** Před použitím výrobku si přečtěte následující varování.

V této části je popsáno bezpečnostní vybavení výrobku, jeho účel a způsob provádění kontroly a údržby k zajištění správného provozu. Viz pokyny v části *Úvod na strani 38* pro informace o umístění těchto dílů na výrobku.

Životnost výrobku se může zkracovat a riziko úrazů zvyšovat, jestliže se údržba neprovádí správně anebo se opravy neprovádějí odborně. Pokud potřebujete další informace, obraťte se na nejbližšího servisního prodejce.



**VÝSTRAHA:** Nikdy výrobek nepoužívejte s poškozenými bezpečnostními součástmi. Kontrolu a údržbu bezpečnostního vybavení výrobku je nutno provádět podle postupů uvedených v této části. V případě, že by výrobek nevyhověl při jakékoli z těchto kontrol, je nutno vyhledat autorizované servisní středisko a nechat závadu odstranit.



**VAROVÁNÍ:** Servis a opravy stroje vyžadují speciální odborné školení. To se zvláště týká servisu a oprav bezpečnostního zařízení stroje. V případě, že by stroj nevyhověl při některé z níže uvedených kontrol, je nutno vyhledat servisní opravnu. Každému zákazníkovi, který zakoupí kterýkoli z našich výrobků, zaručujeme dostupnost profesionálních

oprav a servisních prací. Pokud prodejce, který vám stroj prodal, neposkytuje servisní práce, požádejte jej o adresu naší nejbližší servisní opravy.

## Kontrola uživatelského rozhraní

1. Stiskněte a podržte tlačítko pro spuštění/zastavení (A).
  - a) Výrobek je zapnutý, když se rozsvítí displej (B). (Obr. 22)
  - b) Výrobek je vypnutý, když displej zhasne.
2. Pokud svítí nebo bliká varovná kontrolka na displeji, řiďte se pokyny v části *Uživatelské rozhraní na strani 49*.

## Kontrola pojistky páčky spínače

Pojistka páčky spínače slouží k zamezení nechtěnému spuštění výrobku. Pokud zatlačíte pojistku páčky spínače dopředu (A) a poté přitlačíte pojistku páčky spínače k rukojeti (B), páčka spínače (C) se uvolní. Při uvolnění rukojeti se spouštěč a pojistka spouštěče vrátí zpět do svých původních poloh. Tento pohyb je řízen třemi nezávislými pružinami.

(Obr. 23)

1. Je-li pojistka páčky spínače ve své původní poloze, ujistěte se, zda je páčka spínače zajištěna. (Obr. 24)
2. Stiskněte spouštěč a zkontrolujte, zda se po uvolnění vrátí do své původní polohy. (Obr. 25)
3. Zkontrolujte, zda se páčka spínače a pojistka páčky spínače volně pohybují a zda vratná pružina funguje správně.
4. Spusťte výrobek, viz *Spuštění výrobku na strani 46*.
5. Uveďte výrobek do plných otáček.
6. Uvolněte páčku spínače a zkontrolujte, zda se řezací nástavec zastavil a zůstává v klidu.

## Kontrola krytu řezacího nástavce



**VÝSTRAHA:** Nepoužívejte řezací nástavec bez schváleného a správně upevněného krytu řezacího nástavce. Vždy používejte kryt řezacího nástavce doporučený pro instalovaný řezací nástavec, viz *Příslušenství na strani 51*. Použití jiný nesprávného nebo vadného krytu řezacího nástavce může vést k zranění osob.

Kryt řezacího nástavce brání vymrštění předmětů směrem k obsluze. To také brání zranění, ke kterým může dojít, pokud přijedete do kontaktu s řezacím nástavcem.

1. Vypněte výrobek a vyjměte baterii.
2. Provedte vizuální kontrolu ohledně poškození, například prasklin. (Obr. 26)
3. Poškozený kryt řezacího nástavce je nutné vyměnit.

## Strunová hlava

- Vždy používejte správnou strunovou hlavu, sekací nástavce a vždy používejte doporučenou vyžínací strunu. Viz část *Příslušenství na strani 51* a informace o montáži na konci návodu.
- Dbejte na to, aby nůž na krytu vyžínače nebyl poškozen.
- Vždy se ujistěte, že je vyžínací struna navinuta na cívce pevně a stejnoměrně, abyste zamezili neobvyklým vibračním výrobku. Různé délky struny mohou způsobit vibrace, které nejsou nutné. Pro nastavení správné délky struny klepněte strunovou hlavou o zem.

Aby bylo dosaženo delší životnosti struny, lze ji před montáží na 2 dny namočit do vody. To zajistí větší odolnost struny.

## Bezpečnostní pokyny pro montáž



**VÝSTRAHA:** Před použitím výrobku si pozorně přečtěte, pochopte a dodržujte tyto pokyny.

- Před montáží výrobku z něj vyjměte baterii.
- Používejte schválené ochranné rukavice.
- Poškozený nebo nesprávně funkční kryt může způsobit zranění. Nepoužívejte sekací nástavec bez připevněného schváleného krytu.
- Před spuštěním výrobku zkontrolujte, zda jsou kryt a hřídel správně namontovány.
- Hnací kotouč a pomocná příruba musí být řádně instalovány ve středovém otvoru sekacího nástavce. Nesprávně připevněný sekací nástavec může způsobit zranění nebo usmrcení osob.

- Pokud je s nástavcem dodáván nosný popruh, musí být nosný popruh správně připojen k výrobku. Popruh zajišťuje bezpečný provoz a zabraňuje zranění obsluhy nebo jiných osob.

## Bezpečnostní pokyny pro údržbu



**VÝSTRAHA:** Před prováděním údržby výrobku si přečtěte následující varování.

- Před prováděním údržby, kontroly nebo montáže výrobku vyjměte baterii.
- Obsluha smí provádět pouze takové údržbářské a servisní úkony, které jsou popsány v tomto návodu k používání. Před provedením údržby a servisu většího rozsahu se obraťte na servisního prodejce.
- Baterii ani nabíječku baterií nečistěte vodou. Silné čisticí prostředky mohou způsobit poškození plastových dílů.
- Pokud byste neprováděli údržbu, podstatně by se zkrátil životní cyklus výrobku a zvýšilo se nebezpečí nehod.
- K provádění servisu a oprav je nutné speciální školení, zejména co se týče bezpečnostních zařízení. Pokud není možné po provedení údržby schválit všechny kontroly uvedené v tomto návodu k používání, obraťte se na servisního prodejce. Garantujeme, že jsou pro váš výrobek k dispozici profesionální opravy a servis.
- Používejte pouze originální náhradní díly.
- Při manipulaci se stříhacím nástavcem vždy používejte silné rukavice. Nože jsou mimořádně ostré a mohou snadno způsobit zranění.

## Montáž

### Montáž držadla ve tvaru „D“

1. Připevněte držadlo ve tvaru „D“ na hřídel mezi šípky. Neumísťujte držadlo ve tvaru „D“ ani závěsný kroužek na štítek. (Obr. 27)
2. Vsuňte distanční podložku do drážky v držadle ve tvaru „D“.
3. Namontujte matici, knoflík a šroub, ale neutahujte je.
4. Nastavte výrobek do pohodlné polohy.
5. Dotáhněte šroub.

### Kontrola řezacího zařízení

Řezací zařízení obsahuje řezací nástavec a kryt řezacího nástavce.



**VÝSTRAHA:** Používejte ochranné rukavice.



**VÝSTRAHA:** Vždy používejte kryt řezacího nástavce, který je doporučený pro řezací nástavec. Viz *Technické údaje na strani 50*.



**VÝSTRAHA:** Nesprávně upevněný řezací nástavec může způsobit zranění nebo usmrcení.

### Montáž krytu řezacího nástavce

1. Připevněte kryt řezacího nástavce (A) na háček držáku desky (B). (Obr. 28)
2. Na hřídel nasadte kryt řezacího nástavce a utáhněte jej pomocí šroubu (C).

### Demontáž krytu řezacího nástavce

- Vyšroubujte šroub (C) a sejměte kryt řezacího nástavce (A) z hřídele. (Obr. 29)

## Montáž strunových hlav



**VÝSTRAHA:** Při montáži sekacího nástavce je krajně důležité, aby se řízení hnacího kotouče/pomocné příruby dostalo správně do středového otvoru v sekacím nástavci. Nesprávná montáž sekacího nástavce může způsobit vážné nebo smrtelné zranění osob.



**VÝSTRAHA:** Za žádných podmínek nepracujte se strojem, pokud není řezací nástavec opatřen schváleným bezpečnostním krytem. Viz část *Příslušenství na straně 51*. Používání nesprávného nebo vadného krytu může způsobit vážné zranění.

## Montáž strunové hlavy

1. Namontujte hnací kotouč (B) na výstupní hřídel.
2. Pootáčejte výstupním hřídelem, aby se jeden z otvorů v hnacím kotouči zarovnal s odpovídajícím otvorem ve skříní převodovky.
3. Zasuňte pojistný čep (C) do otvoru tak, aby byla osa připojena.
4. Strunovou hlavu (H) připevněte otáčením proti směru hodinových ručiček. (Obr. 30)

## Demontáž strunové hlavy

1. Zasuňte pojistný čep (C) do otvoru tak, aby zachytil hřídel.
2. Demontujte strunovou hlavu (H) otáčením ve směru hodinových ručiček.
3. Odmontujte hnací kotouč (B) z výstupního hřídele. (Obr. 30)

## Provoz

### Úvod



**VÝSTRAHA:** Než začnete s výrobkem pracovat, přečtěte si důkladně kapitolu o bezpečnosti.

### Instalace baterie do výrobku



**VÝSTRAHA:** Ve výrobku používejte výhradně originální baterie Husqvarna.

1. Zkontrolujte, zda je baterie plně nabitá.
2. Zatlačte baterii do držáku baterie výrobku. Baterie je zajištěná na místě, jakmile uslyšíte cvaknutí. (Obr. 31)



**VAROVÁNÍ:** Pokud nelze baterii snadno zasunout do držáku baterie, baterie je špatně vložená. Můžete tím výrobek poškodit.

3. Zkontrolujte, zda je baterie instalovaná správně.

### Pracovní poloha

- Výrobek držte pevně oběma rukama.
- Výrobek držte po své pravé straně.
- Řezací nástavec udržujte pod úrovní pasu.
- Udržujte části těla v bezpečné vzdálenosti od horkých povrchů.
- Udržujte části těla v bezpečné vzdálenosti od řezacího nástavce.

### Před použitím výrobku

- Prohlédněte pracovní oblast, abyste se seznámili s typem terénu a jeho sklonem a zjistili, zda se na místě nevyskytují nějaké překážky, například kameny, větve nebo jámy.
- Proveďte celkovou prohlídku výrobku.
- Proveďte bezpečnostní kontroly a postupy údržby a servisu, které jsou uvedeny v tomto návodu.
- Zkontrolujte, zda jsou řádně připevněny všechny kryty, ochranné kryty, rukojeti a sekací zařízení a zda nejsou poškozené.
- Zkontrolujte, zda se na pomocné přírubě nenacházejí praskliny. Poškozenou pomocnou přírubu je nutné vyměnit.

(Obr. 32)

- Zkontrolujte, zda na strunové hlavě a krytu sekacího nástavce není poškození nebo praskliny. Vyměňte strunovou hlavu a kryt sekacího nástavce, pokud došlo k nárazu nebo jsou na nich praskliny.

(Obr. 33)

### Spuštění výrobku

1. Stiskněte a podržte tlačítko pro spuštění, dokud se nerozsvítí zelená kontrolka LED. (Obr. 34)
2. K ovládní rychlosti používejte páčku spínače.

### Omezení maximálních otáček pomocí tlačítka režimu

Tento výrobek je vybaven tlačítkem režimu. Pomocí tlačítka režimu může obsluha omezit maximální otáčky. Tlačítko režimu má 3 úrovně otáček. Nižší úroveň prodlužuje dobu provozu výrobku. Úroveň 1 a 2 použijte, pokud provoz nevyžaduje plné otáčky / plný výkon. Pokud provozní podmínky vyžadují plné otáčky / plný

výkon, použijte úroveň 3. Nepoužívejte vyšší úroveň, než je nezbytně nutné pro provedení operace.

1. Stisknutím tlačítka režimu nastavíte limit na maximální otáčky. Zapnutí funkce signalizují bílé kontrolky LED. (Obr. 35)
2. Dalším stisknutím tlačítka režimu zvolíte další úroveň otáček.

## Funkce automatického vypnutí

Výrobek je vybaven funkcí vypnutí, která deaktivuje výrobek, pokud není používán.

## Vyžínání trávy strunovou hlavou

### Vyžínání trávy

1. Držte strunovou hlavu těsně nad úrovní terénu a pod úhlem. (Obr. 36) Netlačte vyžínací strunu do trávy.
2. Když sečete trávu v blízkosti předmětů, používejte 80 % rychlosti. (Obr. 37)

### Sečení trávy

1. Zajistěte, aby při sečení byla vyžínací struna souběžně se zemí. (Obr. 38)
2. Netlačte hlavu vyžínáče k zemi. Mohlo by dojít k poškození podkladu a výrobku.
3. Nedotýkejte se hlavou vyžínáče trvale země, mohlo by dojít k poškození hlavy.

4. Při pohybu výrobkem ze strany na stranu při sečení trávy použijte plné otáčky. (Obr. 39) Zajistěte, aby při sečení byla vyžínací struna souběžně se zemí.

## Odstranění trávy

Proud vzduchu z otáčející vyžínací struny lze použít k odstranění trávy z oblasti.

1. Udržujte strunovou hlavu a strunu rovnoběžně se zemí a nad povrchem.
2. Uveďte výrobek do plných otáček.
3. Pohybuje strunovou hlavou ze strany na stranu a odstraňte tak trávu.



**VÝSTRAHA:** Vyčistěte kryt strunové hlavy po každé montáži nové vyžínací struny, aby se eliminovalo nevyvážení a zabránilo vibracím v rukojetích. Proveďte také kontrolu ostatních dílů strunové hlavy a v případě potřeby ji vyčistěte.

## Zastavení výrobku

1. Uvolněte páčku spínače nebo pojistku páčky spínače.
2. Stiskněte tlačítko Stop. (Obr. 34)
3. Stiskněte uvolňovací tlačítka na baterii a vyjměte baterii. (Obr. 40)

# Údržba

## Úvod



**VÝSTRAHA:** Před prováděním jakékoli údržby je třeba, abyste si přečetli a porozuměli kapitole bezpečnosti.

## Plán údržby



**VÝSTRAHA:** Před prováděním údržby vyjměte baterii.

Níže je uveden seznam kroků údržby, které musíte provést na výrobku.

Údržba	Denně	Týdně	Měsíčně
Očistěte vnější povrch výrobku suchým hadříkem. Nepoužívejte vodu.	X		
Zkontrolujte, zda tlačítko pro spouštění a zastavení funguje a není poškozené.	X		
Zkontrolujte správnou funkci páčky spínače a pojistky páčky spínače z hlediska bezpečnosti.	X		
Zkontrolujte, zda fungují všechny ovládací prvky a zda nejsou poškozené.	X		
Udržujte rukojeti suché, čisté a bez zbytků oleje a maziva.	X		
Zkontrolujte, zda není řezací nástavec poškozený. Poškozený řezací nástavec je nutné vyměnit.	X		
Zkontrolujte, zda není kryt sekacího nástavce nebo nůž poškozený. Poškozený kryt sekacího nástavce nebo nůž je nutné vyměnit.	X		
Zkontrolujte, zda jsou šrouby a matice dotažené.	X		

Údržba	Denně	Týdně	Měsíčně
Zkontrolujte, zda fungují tlačítka pro uvolnění baterie na baterii a zda drží baterii ve výrobku.	X		
Zkontrolujte, zda není baterie poškozená.	X		
Zkontrolujte, zda je baterie nabitá.	X		
Zkontrolujte, zda není poškozená nabíječka baterií a zda funguje správně.	X		
Zkontrolujte všechny kabely, spojky a konektory. Zkontrolujte, zda nejsou poškozené a znečištěné.		X	
Zajistěte, aby úhlová převodovka byla správně naplněna mazivem, viz <i>Mazání úhlové převodovky na straní 48</i> . Pokud ne, použijte mazivo na úhlové převodovky Husqvarna.		X	
Zkontrolujte spojení mezi baterií a výrobkem. Zkontrolujte spojení mezi baterií a nabíječkou baterií.			X

## Čištění výrobku, baterie a nabíječky baterií

- Po použití vyčistěte výrobek suchou utěrkou.
- Vyčistěte baterii a nabíječku baterií suchou utěrkou. Udržujte v čistotě vodící kolejničky baterie.
- Před vložením baterie do nabíječky baterií nebo výrobku zkontrolujte, zda jsou svorky na baterii a nabíječce baterií čisté.

## Mazání úhlové převodovky

- Demontujte sekací zařízení.
- Umístěte výrobek tak, aby byla zátka maziva v nejvyšší poloze.

- Odšroubujte zátka maziva. (Obr. 41)
- Podívejte se do otvoru pro zátka maziva a otočte hnací hřídel. Mazivo (A) musí být v zákrytu s horní plochou ozubení (B). (Obr. 42)
- Pokud je maziva málo, doplňte úhlovou převodovku mazivem na úhlové převodovky Husqvarna. Mazivo na úhlové převodovky doplňujte pomalu, průběžně otáčejte hnací hřídel a mazivo doplňte na správnou úroveň (B).



**VAROVÁNÍ:** Nesprávné množství maziva může způsobit poškození úhlové převodovky.

- Našroubujte zpět zátka maziva.



# Odstraňování problémů

## Uživatelské rozhraní

Problém	Možné závady	Možná akce
Kontrolka LED stavu baterie bliká oranžově.	Nízké napětí baterie.	Nabijte baterii.
Chybová kontrolka LED bliká červeně.	Přetížení.	Sekací nástavec je zaseknutý. Zastavte výrobek. Vyměňte baterii. Odstraňte ze sekacího nástavce nežádoucí materiály.
	Odchyłka teploty.	Nechte výrobek vychladnout.
	Páčka spínače a aktivací tlačítka jsou stisknuty současně.	Uvolněte páčku spínače a dojde k aktivaci zařízení.
Výrobek nespouští	Znečištěné konektory baterie.	Očistěte konektory baterie stlačeným vzduchem nebo měkkým kartáčem.
Chybová kontrolka LED svítí červeně.	Výrobek vyžaduje servis.	Obraťte se na servis.

## Přeprava, skladování a likvidace

### Přeprava a skladování

- Dodané Li-ion baterie podléhají požadavkům legislativy o nebezpečném zboží.
- Dodržujte zvláštní požadavky uvedené na obalu a označení pro komerční přepravu, platí i pro třetí strany a dopravce.
- Než odešlete výrobek, promluvte si s osobou speciálně vyškolenou ohledně manipulace s nebezpečnými materiály. Dodržujte platné národní předpisy.
- Před vložením baterie do obalu zalepte rozpojené kontakty páskou. Vložte baterii do obalu a zajistěte ji proti pohybu.
- Před přepravou nebo uskladněním vyjměte baterii.
- Uložte baterii a nabíječku baterií na místo, které je suché a chráněné před vlhkostí a mrazem.
- Neskladujte baterii v místech, kde může docházet k výbojům statické elektřiny. Neskladujte baterii v kovovém obalu.
- Baterii skladujte na místě, kde je teplota v rozsahu 5 až 25 °C (41 až 77 °F) a mimo přímé sluneční světlo.
- Nabíječku baterií skladujte na místě, kde je teplota v rozsahu 5 až 45 °C (41 až 113 °F) a mimo přímé sluneční světlo.
- Nabíječku baterií používejte pouze při okolních teplotách v rozsahu 5 až 40 °C (41 až 104 °F).

- Před dlouhodobým uskladněním se ujistěte, že je baterie nabitá na 30 až 50 %.
- Uložte baterii a nabíječku baterií do uzavřené a suché místnosti.
- Skladujte baterii mimo nabíječku baterií. Nedovolte, aby se děti nebo neoprávněné osoby dotýkaly zařízení. Uchovávejte zařízení na místě, které lze uzamknout.
- Před dlouhodobým skladováním výrobku jej vyčistěte a proveďte kompletní údržbu.
- Před přepravou a uskladněním umístěte na výrobek přepravní kryt pro prevenci zranění a poškození.
- Během přepravy musí být výrobek bezpečně upevněn.

### Likvidace baterie, nabíječky baterií a výrobku

Symbole na produktu nebo obalu znamenají, že tento produkt není domácí odpad. Odevzdejte jej ve stanici pro recyklaci elektrických a elektronických zařízení. To pomůže eliminovat nebezpečí poškození životního prostředí a zdraví osob.

Další informace o možnostech recyklace vašeho produktu získáte od místních úřadů, služby svozu domovního odpadu nebo prodejce.

## Technické údaje

### Technické údaje

	<b>325iL</b>
<b>Motor</b>	
Typ motoru	BLDC (bezkomutátorový) 36 V
Otáčky výstupního hřídele, 1/min	5800
Šířka sečení, mm	420
<b>Hmotnost</b>	
Hmotnost bez baterie a sekacího nástavce, kg	3
<b>Emise hluku <sup>7</sup></b>	
Hladina akustického výkonu, změřená dB (A)	93
Hladina akustického výkonu, zaručená L <sub>WA</sub> dB (A)	96
<b>Hladiny hluku <sup>8</sup></b>	
Ekvivalentní hladina akustického tlaku v úrovni uší obsluhy, změřená podle ISO 22868, dB(A):	
Vybaven strunovou hlavou (originální)	84
<b>Úrovně vibrací <sup>9</sup></b>	
Hladiny vibrací v rukojetích, měřené podle normy ISO 22867, m/s <sup>2</sup>	
Vybaven strunovou hlavou (originální), přední/zadní, m/s <sup>2</sup>	4,3/2,9

### Schválené baterie

<b>Baterie</b>	<b>BLI 200</b>
Typ	Lithium-iontová
Kapacita baterie, Ah	5,2
Jmenovité napětí, V	36

<sup>7</sup> Emise hluku do okolního prostředí měřené jako akustický výkon (LWA) v souladu se směrnicí 2000/14/ES. Uváděná hladina akustického výkonu pro stroj byla měřena s originálním řezacím nástavcem, který generuje nejvyšší hladinu. Rozdíl mezi garantovaným a měřeným akustickým výkonem je v tom, že garantovaný akustický výkon rovněž zahrnuje rozptýl výsledků měření a rozdíly mezi různými stroji téhož modelu podle Směrnice 2000/14/ES.

<sup>8</sup> Uváděná data pro hladinu akustického tlaku pro stroj mají typickou statistickou odchylku (standardní odchylku) 3 dB (A), která byla měřena s originálním řezacím nástavcem generujícím nejvyšší hladinu.

<sup>9</sup> Uváděná data o úrovni vibrací mají typickou statistickou odchylku (standardní odchylku) 2 m/s<sup>2</sup>. Pro srovnání hladiny vibrací akumulátorových výrobků a výrobků se spalovacím motorem použijte kalkulačku vibrací: <https://www.husqvarna.com/cz/sluzby-reseni/kalkulacka-vibraci/>.

<b>Baterie</b>	<b>BLI 200</b>
Hmotnost, kg (lb)	1,3 (2,9)

### Schválené nabíječky baterií

<b>Nabíječka baterií</b>	<b>QC330</b>
Vstupní napětí, V	100–240
Kmitočet, Hz	50–60
Výkon, W	330

---

## Příslušenství

---

### Příslušenství

Schválené příslušenství	Typ příslušenství	Kryt řezacího nástavce, obj. číslo
Středový otvor v kotoučích/nožích, Ø 25,4 mm		
Závit výstupního hřídele M10		
Strunová hlava	T35 (vyžínací struna Whisper, max. Ø 2,4 mm)	597 01 62-02

# Prohlášení o shodě

## Prohlášení o shodě EU

Společnost **Husqvarna AB**, SE-561 82 Huskvarna,  
Švédsko, tel.: +46-36-146500, na svou výhradní  
odpovědnost prohlašuje, že výrobek:

<b>Popis</b>	Akumulátorový vyžinač
<b>Značka</b>	Husqvarna
<b>Typ/Model</b>	325iL
<b>Identifikace</b>	Výrobní čísla od roku 2023 a dále

je zcela ve shodě s následujícími směrnici a předpisy  
EU:

<b>Směrnice/předpis</b>	<b>Popis</b>
2006/42/ES	„o strojních zařízeních“
2014/30/EMC	„o elektromagnetické kompatibilitě“
2011/65/EU	„o zakázaných látkách“
2000/14/ES	„o venkovním hluku“

a že byly použity následující normy nebo technické  
specifikace: EN 62841-1:2015/AC:2015, EN 62841-4-4  
(IEC 62841-4-4:2020), EN 61000-6-1:2007 (Immunity),  
EN 61000-6-3:2007/A1:2011/AC:2012 (Emission).



Institut RISE SMP Svensk Maskinprovning AB,  
Box 4053, SE-904 03 Umeå, Sweden provedl  
dobrovolnou typovou zkoušku podle dodatku IX  
směrnice 2006/42/ES. Č. certifikátu: SEC/23/2579.

Institut Notified body: 0404, RISE SMP Svensk  
Maskinprovning AB, Box 4053, SE-904 03 Umeå,  
Sweden rovněž ověřil shodu s dodatkem VI směrnice  
Evropského parlamentu a Rady 2000/14/ES.

Informace o emisích hluku najdete v části *Technické  
údaje na strani 50*.

Huskvarna, 2022-12-01

Stefan Holmberg, ředitel výzkumu a vývoje,  
management technologií, Husqvarna AB

Osoba odpovědná za technickou dokumentaci

---

## Indhold

---

Indledning.....	53	Transport, opbevaring og bortskaffelse.....	64
Sikkerhed.....	54	Tekniske data.....	65
Montering.....	60	Tilbehør.....	66
Drift.....	61	Overensstemmelseserklæring.....	67
Vedligeholdelse.....	62	Appendix .....	447
Fejlfinding.....	64		

---

## Indledning

---

### Produktbeskrivelse

Husqvarna 325iL er en batteridrevet græstrimmer med elektrisk motor.

Der arbejdes konstant på at øge din sikkerhed og effektivitet under drift. Spørg serviceforhandleren for at få yderligere oplysninger.

### Anvendelsesformål

Brug produktet med et trimmerhoved til at beskære forskellige typer vegetation. Brug ikke produktet til andre opgaver end græstrimming og græsrydning.

### Produktoversigt

(Fig. 1)

1. Brugervejledning
2. Vinkelgear
3. Hul til låsestift
4. Trimmerhoved
5. Skæreudstyrsskærm
6. Medbringerhjul
7. Ring- og gaffelhøgle
8. Loophåndtag
9. Greb
10. Aksel
11. Låsestift
12. Advarselsindikator LED
13. Start/stop-knap
14. Hastighedstilstandsknap
15. Strømduløserlås
16. Brugergænsefflade
17. Strømduløser
18. Batteriopladerledning
19. Batterioplader
20. Strøm- og advarselsindikator, LED
21. Knapper til udløsning af batteri
22. Batteri
23. LED-indikator for opladningsstatus
24. LED-indikator for advarsel
25. Batteriindikatorknop

**Bemærk:** Nationale eller lokale bestemmelser kan regulere brugen. Overhold de gældende bestemmelser.

Brug kun produktet med tilbehør, der er godkendt af producenten. Se *Tilbehør på side 66*.

### Symboler på produktet

- (Fig. 2) ADVARSEL! Dette produkt kan være farligt! Skødesløs eller forkert brug kan resultere i alvorlige skader eller dødsfald for brugeren eller andre. Det er ekstremt vigtigt, at du læser og forstår indholdet i denne brugervejledning. Læs brugervejledningen omhyggeligt igennem, og sørg for at have forstået instruktionerne, inden du bruger produktet.
- (Fig. 3) Brug godkendt høreværn. Brug godkendt øjenværn.
- (Fig. 4) Maks. hastighed eller hastighed uden belastning.
- XXXX /min eller min<sup>-1</sup> | Omdrejninger eller vekselbevægelser pr. minut.
- (Fig. 5) Nominel spænding, V
- (Fig. 6) Jævnstrøm.
- (Fig. 7) Produktet er i overensstemmelse med gældende EF-direktiver.
-

(Fig. 8)	Dette produkt er i overensstemmelse med gældende UK-bestemmelser.		øjenskader, hvis du ikke anvender det anbefalede beskyttelsesudstyr.
(Fig. 9)	Brug godkendte beskyttelseshandsker.	(Fig. 14)	Frakobl batteriet før vedligeholdelse.
(Fig. 10)	Brug altid kraftige, skridsikre støvler.	(Fig. 15)	Produktet er beskyttet mod vandstænk.
(Fig. 11)	Brug kun fleksibelt klippeudstyr, der ikke er fremstillet af metal.	(Fig. 16)	Hold alle dele af kroppen på sikker afstand af varme overflader.
(Fig. 12)	Symbolerne på produktet og emballagen betyder, at produktet ikke må behandles som almindeligt husholdningsaffald. Dette produkt skal bortskaffes på et godkendt opsamlingssted.	(Fig. 17)	Mærkat vedrørende emission af støj til omgivelserne i henhold til direktiver og regulativer i EU og Storbritannien og New South Wales' lovgivning om "Beskyttelse af miljøet (støjbegrænsning) forordning 2017". Produktets garanterede lydeffektniveau er angivet i <i>Tekniske data på side 65</i> .
(Fig. 13)	Udstyret kan kaste genstande af sted med voldsom kraft, og disse genstande kan slå tilbage. Dette kan medføre alvorlige		

yyyywwxxxx

Typeskiltet viser serienummeret. **yyyy** er produktionsåret, **ww** er produktionsugen, og **xxxx** er det fortløbende nummer.

(Fig. 18)

Føreren skal sørge for, at ingen personer eller dyr kommer nærmere end 15 meter. Når flere førere arbejder på det samme sted, skal sikkerhedsafstanden være mindst 15 meter.

**Bemærk:** Andre symboler/mærkater på produktet henviser til certificeringskrav i andre handelsområder.

## Skader på produktet

Vi er ikke ansvarlige for skader på vores produkt, hvis:

- produktet er forkert repareret.
- produktet er repareret med dele, der ikke er fra producenten eller ikke er godkendt af producenten
- produktet har tilbehør, der ikke er fra producenten eller ikke er godkendt af producenten.
- produktet ikke er repareret på et godkendt servicecenter eller af en godkendt myndighed.

## Sikkerhed

### Sikkerhedsdefinitioner

Advarsler, forholdsregler og bemærkninger bruges til at pege på særligt vigtige dele af brugsanvisningen.



**ADVARSEL:** Bruges, hvis føreren udsætter sig selv eller omkringstående personer for risiko for personskade eller dødsfald ved tilsidesættelse af instruktionerne i brugsanvisningen.



**BEMÆRK:** Bruges, hvis der er risiko for skader på produktet, andre materialer eller det omgivende område ved tilsidesættelse af instruktionerne i brugsanvisningen.

**Bemærk:** Bruges til at give yderligere oplysninger, der er nødvendige i en given situation.

### Generelle sikkerhedsadvarsler om elværktøj



**ADVARSEL:** Læs alle sikkerhedsadvarsler, instruktioner, illustrationer og specifikationer, der følger med dette elværktøj. Hvis du ignorerer de nedenfor anførte instruktioner, kan det medføre elektrisk stød, brand og/eller alvorlige skader.

- **Opbevar alle advarsler og instruktioner til senere brug.** Betegnelsen "elværktøj" i advarslerne henviser til dit værktøj, som drives af strøm fra elektricitetsnettet (med ledning) eller fra batteri (ledningsfrit).

### Sikkerhed i arbejdsområdet

- **Hold arbejdsområdet rent og godt oplyst.** Rodede eller mørke områder er en invitation til ulykker.

- **Bedjen ikke elværktøj i områder med eksplosionsfare** som f.eks. i nærheden af brændbare væsker, luftarter eller støv. Elværktøj danner gnister, som kan antænde støv eller dampe.
- **Hold børn og tilskuere borte, mens elværktøjet betjenes.** Distraction kan få dig til at miste styringen.

## Elektrisk sikkerhed

- **Stikket på elværktøjet skal passe til stikkontakten. Man må aldrig ændre på stikket. Benyt ikke adapterstik i forbindelse med jordet elværktøj.** Uændrede stik og passende stikkontakter reducerer risikoen for elektrisk stød.
- **Undgå kropskontakt med jodede genstande som f.eks. rør, radiatorer, komfurer og køleskabe.** Der er øget risiko for elektrisk stød, hvis din krop har forbindelse til jord.
- **Udsæt ikke elværktøj for regn eller våde omgivelser.** Vand, som trænger ind i et elværktøj, forøger risikoen for elektrisk stød.
- **Behandl kablet forsigtigt. Benyt aldrig kablet til at bære eller trække i elværktøjet eller til at trække stikket ud. Hold ledningen væk fra varme, olie, skarpe kanter eller bevægelige dele.** Beskadede eller filtrerede kabler forøger risikoen for elektrisk stød.
- **Når man anvender et elværktøj udendørs, skal man bruge en forlængerledning, der er egnet til udendørs brug.** Brug af en ledning, der er egnet til udendørs brug, reducerer risikoen for elektrisk stød.
- **Hvis ikke man kan undgå at anvende et elværktøj på fugtige steder, skal man anvende et stik, der er beskyttet af en fejlstrømsafbryder.** Brug af et kabel med fejlstrømsafbryder nedsætter risikoen for elektrisk stød.

## Personlig sikkerhed

- **Vær altid opmærksom, hold øje med, hvad du foretager dig, og benyt sund fornuft, når du betjener elværktøj. Benyt ikke elværktøj, hvis du er træt eller er påvirket af narkotika, alkohol eller medicin.** Et øjeblik uopmærksomhed under betjening af elværktøj kan resultere i alvorlig personskade.
- **Bær personligt beskyttelsesudstyr. Brug altid beskyttelsesbriller.** Beskyttelsesudstyr som støvmaske, skridsikre sikkerhedssko, beskyttelsehjelm eller høreværn, som benyttes til de relevante formål vil nedsætte risikoen for personskade.
- **Sørg for at forhindre uønsket start af værktøjet. Sørg for, at kontakten er i frakoblet position, før du slutter produktet til strømkilden og/eller batterienheden, samt når du tager eller bærer produktet.** At bære elværktøj med fingeren på kontakten eller at sætte strøm til elværktøj med tændt kontakt er en invitation til ulykker.
- **Fjern alle indstillingsnøgler eller tænger, før elværktøjet tændes.** En tang eller nøgle, der efterlades på en roterende del af elværktøjet, kan forårsage personskade.

- **Stræk dig ikke for langt. Sørg for altid at have godt fodfæste og god balance.** Det sikrer bedre kontrol med elværktøjet i uventede situationer.
- **Bær det korrekte tøj. Undgå at bære løstsiddende tøj eller smykker. Hold hår og tøj væk fra bevægelige dele.** Løst tøj, smykker eller langt hår kan blive fanget af bevægelige dele.
- **Hvis der forefindes udstyr til støvudsugning og -opsamling, skal du sikre, at det er tilsluttet, og at det bruges korrekt.** Brug af støvopsamling kan nedbringe støvrelaterede farer.
- **Lad ikke erfaringen fra tidligere brug af værktøjer gøre dig eftergivende, så du ignorerer sikkerhedsprincipperne for værktøj.** En uforsigtig handling kan give alvorlige skader på en brøkdæl af et sekund.

## Brug og pleje af elværktøj

- **Brug ikke magt ved brug af elværktøjet. Brug det korrekte elværktøj til din opgave.** Det korrekte elværktøj udfører arbejdet bedre og mere sikkert ved den norm, som det er konstrueret til.
- **Benyt ikke elværktøjet, hvis kontakten ikke kan slå til og fra.** Ethvert stykke elværktøj, som ikke kan styres med kontakten, er farligt og skal repareres.
- **Tag stikket ud af stikkontakten og/eller fjern batterienheden, hvis den kan tages ud, fra elværktøjet, før du foretager justeringer, skifter tilbehør eller sætter det til opbevaring.** Denne form for forebyggende sikkerhedsforanstaltninger nedsætter risikoen for, at elværktøjet startes ved et uheld.
- **Opbevar elværktøj der ikke er i brug uden for børns rækkevidde og lad ikke personer, der ikke er bekendt med elværktøjet eller disse instruktioner, betjene elværktøjet.** Elværktøj er farligt i hænderne på utrænede brugere.
- **Vedligeholdelse af eldrevne redskaber og tilbehør. Kontroller, om bevægende dele sidder forkert eller binder, om dele er ødelagt og enhver anden tilstand, som kan påvirke elværktøjets funktion. Hvis elværktøjet er beskadiget, skal det repareres, før det bruges igen.** Mange ulykker skyldes dårligt vedligeholdt elværktøj.
- **Hold skæreprodukter skarpe og rene.** Korrekt vedligeholdte skæreprodukter med skarpe klinger er mindre tilbøjelige til at binde og er lettere at styre.
- **Benyt elværktøj, tilbehør, værktøjsbits osv. i overensstemmelse med disse instruktioner og tag højde for arbejdsforholdene og det arbejde, der skal udføres.** Hvis man bruger det eldrevne produkt til andre formål end de tiltænkte, kan det medføre farlige situationer.
- **Hold håndtag og gribeblader tørre, rene og frie for olie og fedt.** Glatte håndtag og gribeblader muliggør ikke sikker håndtering og kontrol af værktøjet i uventede situationer.

## Brug og pleje af batteriredskaber

- **Genoplad kun med den oplader, som producenten foreskriver.** En oplader, der egner sig til en bestemt type batteripakke, kan medføre risiko for brand, hvis den benyttes sammen med en anden batteripakke.
- **Brug kun elværktøj sammen med de batterienheder, der er beregnet specifikt til dem.** Brug af andre batterienheder medfører risiko for skader og brand.
- **Når batteripakken ikke anvendes, skal du holde den væk fra andre metalgenstande, såsom papir, clips, mønter, nøgler, søm, skruer eller andre små metalgenstande, der kan kortslutte polerne.** Kortslutning af batteripolerne kan forårsage forbrændinger eller brand.
- **Under ugunstige forhold kan der sprøjte væske ud fra batteriet, undgå kontakt.** Hvis væsken alligevel berøres, skal der skylles med vand. Hvis du får væske i øjnene, skal du søge læge. Væske, der siver ud fra batteriet, kan medføre irritation eller forbrænding.
- **Brug ikke en batteripakke eller et værktøj, som er beskadiget eller modificeret.** Beskadigede eller modificerede batterier kan opføre sig uforudsigeligt og medføre brand, eksplosion eller risiko for personskade.
- **Udsæt ikke en batteripakke eller værktøj for brand eller høje temperaturer.** Udsættelse for brand eller temperatur over 130 °C / 266 °F kan forårsage eksplosion.
- **Følg alle opladningsinstruktioner, og oplad ikke batteripakken eller værktøjet uden for det temperaturområde, der er angivet i instruktionerne.** Forkert opladning eller opladning ved temperaturer uden for det specificerede område kan beskadige batteriet og øge risikoen for brand.

## Service

- **Få en kvalificeret reparatør til at foretage service på dit eldrevne produkt, og brug kun originale reservedele.** Det vil sikre, at elværktøjets sikkerhed bliver bibeholdt.
- **Der må aldrig udføres service på beskadigede batteripakker.** Service på batteripakker bør kun udføres af producenten eller autoriserede serviceudbydere.

## Sikkerhedsadvarsler vedrørende græstrimmer, buskrydder og rydningssav

- **Brug ikke maskinen i dårligt vejr, specielt hvis der er risiko for lynnedslag.** Dette mindsker risikoen for at blive ramt af lynnedslag.
- **Undersøg grundigt det område, hvor maskinen skal bruges, for at se, om der er dyr.** Vilde dyr kan komme til skade af maskinen under betjening.
- **Undersøg grundigt det område, hvor maskinen skal bruges, og fjern alle sten, pinde, kabler, knogler og andre uvedkommende genstande.** Udkastede genstande kan forårsage alvorlige personskader.

- **Før maskinen tages i brug, skal du altid visuelt kontrollere, at klipperen eller kniven og klipperen eller knivenheden ikke er beskadigede.** Beskadigede dele øger risikoen for personskade.
- **Overhold instruktionerne for udskiftning af tilbehør.** Forkert tilspændte fastgørelsesmøtrikker eller -bolte på kniven kan enten beskadige kniven eller medføre, at den løsner sig.
- **Det nominelle omdrejningstal på klipperen skal være mindst lig med den maksimale hastighed på maskinen.** Klippere, der kører hurtigere end deres nominelle hastighed, kan gå i stykker.
- **Bær øjen-, øre-, hoved- og håndbeskyttelse.** Egnede beskyttelsesudstyr vil reducere risikoen for personskader forårsaget af omkringflyvende løse dele og utilsigtet kontakt med tråden eller kniven.
- **Brug altid skridsikkert og beskyttende fodtøj, når du betjener maskinen. Betjen ikke maskinen med bare fødder eller iført åbne sandaler.** Dette reducerer risikoen for, at fødderne kommer i kontakt med den bevægelige klipper, tråden eller kniven.
- **Bær altid lange bukser, når du betjener maskinen.** Blotlagt hud øger sandsynligheden for skader fra udslyngede genstande.
- **Hold omkringstående væk, mens maskinen betjenes.** Udkastede grene og lignende kan medføre alvorlig personskade.
- **Brug altid to hænder, når maskinen betjenes.** Hvis du holder maskinen med begge hænder, vil det forhindre tab af kontrol.
- **Hold kun maskinen i de isolerede grebsoverflader, da tråden eller kniven kan komme i kontakt med skjulte ledninger.** Hvis tråden eller knive kommer i kontakt med en strømførende ledning, kan det medføre, at maskinens fritliggende metaldele også bliver strømførende, og at brugeren får elektrisk stød.
- **Sørg altid for at have et godt fodfæste, og betjen kun maskinen, når du står på jorden.** Glatte eller ustabile overflader kan medføre tab af balance eller kontrol over maskinen.
- **Betjen ikke maskinen på meget stejle skråninger.** Dette reducerer risikoen for tab af kontrol og for at glide og falde, hvilket kan medføre personskade.
- **Når du arbejder på skråninger, skal du altid være sikker på, at du står godt fast.** Arbejd altid på tværs af skråninger, aldrig op eller ned, og udvis stor forsigtighed, når du skifter retning. Dette reducerer risikoen for tab af kontrol og for at glide og falde, hvilket kan medføre personskade.
- **Hold alle kropsele væk fra klipperen, tråden eller kniven, når maskinen er i drift.** Før du starter maskinen, skal du sørge for, at klipperen, linje eller kniven ikke kommer i kontakt med noget. Et øjebliklig uopmærksomhed under betjening af maskinen kan



resultere i alvorlig personskade for dig selv eller andre.

- **Betjen ikke maskinen over taljehøjde.** Det hjælper med at forhindre utilsigtet kontakt med klipperen eller kniven og giver bedre styring af maskinen i uventede situationer.
- **Hvis du klipper en busk eller unge træer, som er under spænding, skal du være opmærksom på kickback.** Når spændingen i træfibre frigives, kan den belastede busk eller træet ramme operatøren og/eller kaste maskinen ud af kontrol.
- **Udvis stor forsigtighed ved beskæring af buske og yngre træer.** Det slanke materiale kan gribe fat i kniven og blive pisket mod dig eller trække dig ud af balance.
- **Bevar kontrollen over maskinen, og rør ikke ved fræsere, tråde eller knive og andre farlige bevægelige dele, mens de stadig er i bevægelse.** Dette reducerer risikoen for personskade som følge af bevægelige dele.
- **Når du fjerner fastsiddende materiale eller vedligeholder maskinen, skal du sørge for, at alle kontakter er slået fra, og at netledningen er frakoblet.** Uventet start af maskinen, mens der fjernes fastsiddende materiale eller udføres vedligeholdelse, kan resultere i alvorlig personskade.
- **Transporter maskinen slukket og væk fra kroppen.** Korrekt håndtering af maskinen vil reducere risikoen for utilsigtet kontakt med en klipper, tråd eller kniv, der er i bevægelse.
- **Ved transport eller opbevaring af maskinen skal dækslet altid monteres på metalknive.** Korrekt håndtering af maskinen vil reducere risikoen for utilsigtet kontakt med kniven.
- **Brug kun udskiftningsknive, -tråde, -klippehoveder og -knive, som er angivet af producenten.** Forkerte reservedele kan medføre risiko for brud og personskade.

## Andre generelle sikkerhedsoplysninger

- Sluk produktet, før du bevæger dig til et andet område. Udtag altid batteriet, når produktet overdrages til en anden person.
- Adskil aldrig produktet, medmindre du har deaktiveret det og fjernet batteriet. Lad ikke apparatet være uden opsyn, når det er tændt.
- Skæreværktøjet stopper ikke straks, efter at produktet er slukket.
- Før brug af produktet og efter stød eller tab, skal maskinen kontrolleres for slitage og skader og om nødvendigt repareres.
- Skulle et eller andet sætte sig fast i klippeudstyret under betjening af produktet, skal du stoppe og deaktivere produktet. Sørg for, at klippeudstyret standser helt. Tag batteriet ud før rengøring, eftersyn eller reparation af produktet og/eller klippeudstyret.

- Kontrollér produktet inden brug. Se *Sikkerhedsanordninger på produktet på side 59* og *Vedligeholdelse på side 62*. Brug ikke et defekt produkt. Gennemfør sikkerhedskontrol, vedligeholdelse og service som beskrevet i denne brugsanvisning.
- Defekt klippeudstyr kan øge risikoen for ulykker.
- Kontrollér gearet for snavs og revnedannelse. Rengør gearet for græs og løv med en børste. Handsker skal benyttes, når det er nødvendigt.
- Sørg altid for, at ventilationsåbninger holdes fri for snavs.
- Kontrollér, at trimmerhovedet er sikkert påsat trimmeren.
- Alle afskærmninger, skærme og greb skal monteres før start.
- Kontrollér produktet, så det er i optimal stand. Kontrollér, at alle møtrikker og bolte er spændt.
- Kontrollér, at trimmerhovedet og trimmerskærmen er intakte og fri for revner. Udskift trimmerhovedet eller trimmerskærmen, hvis de har været udsat for slag eller er revnet. Brug altid den anbefalede skærm for det pågældende klippeudstyr. Se *Tilbehør på side 66*.
- Dette produkt er et farligt værktøj, hvis du ikke er forsigtig, eller hvis du bruger produktet forkert. Dette produkt kan forårsage alvorlig personskade eller død for brugeren eller andre.
- Denne enhed er ikke til brug for personer (herunder børn) med nedsatte fysiske, følelsesmæssige eller mentale evner eller mangel på erfaring og viden, medmindre de er under opsyn eller modtaget træning i brugen af enheden af en person, der er ansvarlig for deres sikkerhed. Børn skal være under opsyn for at sikre, at de ikke leger med enheden.
- Tillad aldrig børn at anvende eller være i nærheden af maskinen. Da maskinen er nemt at starte, kan børn muligvis starte den, hvis de ikke holdes under opsyn. Dette kan indebære risiko for alvorlige personskader. Tag derfor batteriet ud, når maskinen ikke er under opsyn.
- Lad ikke børn eller personer, som ikke er trænet i brugen af produktet og/eller batteriet, bruge eller udføre service på den/det.
- Opbevar udstyret et sted, der kan aflåses, så det er utilgængeligt for børn og uvedkommende.
- Hold altid hænder og fødder væk fra beskæringsområdet, særligt når motoren tændes.
- Når produktet slukkes, skal du sørge for at holde hænder og fødder væk fra klippeudstyret, indtil det er standset helt.
- Fjern ikke afskåret materiale, og lad ikke andre personer fjerne afskåret materiale, mens produktet er tændt, eller klippeudstyret roterer, da det kan resultere i alvorlig skade.
- Vær opmærksom på, at du som bruger af udstyret er ansvarlig for, at andre personer og deres ejendom ikke udsættes for uheld eller faremomenter.

- Produktets oprindelige udformning må under ingen omstændigheder ændres uden producentens samtykke. Brug altid originalt tilbehør. Ikke-autoriserede ændringer og/eller ikke-godkendt tilbehør kan medføre alvorlige skader eller døden for brugeren eller andre. Din garanti dækker ikke skader eller ansvar som følge af anvendelse af ikke-godkendt tilbehør eller reservedele.
- Det eneste tilbehør, du må anvende med dette produkt, er det klippeudstyr, der anbefales i kapitlet Tilbehør. Se *Tilbehør på side 66*.
- Brug aldrig et produkt, der er blevet ændret, så det ikke længere svarer til originalmodellen
- Brug aldrig et produkt, som er behæftet med fejl. Følg instruktionerne for sikkerhedskontrol, vedligeholdelse og service i denne brugervejledning. Visse vedligeholdelses- og serviceforanstaltninger må kun udføres af erfarne og kvalificerede specialister. Se anvisningerne under overskriften Vedligeholdelse.
- Arbejde i dårligt vejr er trættende og øger ofte risici for skader. På grund af den øgede risiko anbefales det ikke at bruge maskinen i meget dårligt vejr, f.eks. tæt tåge, kraftig regn, hård vind, kraftig kulde, risiko for lynnedslag osv.
- Arbejd aldrig på en stige, stol, palle eller fra et andet højt sted, som ikke er helt stabilt.
- Opbevar inaktive apparater indendørs - Når apparaterne ikke er i brug, bør de opbevares indendørs
- Det er ikke muligt at tage højde for alle de situationer, du kan tænkes at komme ud for. Udvis derfor altid forsigtighed, og brug din sunde fornuft. Undgå situationer, som du ikke synes, du er tilstrækkeligt kvalificeret til. Hvis du stadig føler dig usikker med hensyn til fremgangsmåden, efter at du har læst disse anvisninger, skal du kontakte en ekspert, før du fortsætter.
- Sørg for, at ingen mennesker eller dyr kommer nærmere end 15 meter under arbejdet. Hvis flere brugere arbejder i det samme område, skal sikkerhedsafstanden være mindst 15 meter. Dette kan indebære risiko for alvorlige personskader. Stands øjeblikkeligt produktet, hvis nogen nærmer sig. Sving aldrig rundt med produktet uden først at kontrollere bagud, at der ikke befinder sig nogen i sikkerhedszonen.
- Sørg for, at hverken mennesker, dyr eller andet kan ikke påvirke din kontrol af produktet eller, at de ikke kan komme i kontakt med klippeudstyret eller løse genstande, som slynges væk af klippeudstyret. Brug aldrig produktet uden mulighed for at kunne tilkalde hjælp i tilfælde af en ulykke.
- Sørg for, at du kan bevæge dig og stå sikkert. Kig efter eventuelle forhindringer ved en uventet retrætte (rødder, sten, grene, huller, grøfter osv.). Vær meget forsigtig ved arbejde i skrånende terræn.
- Gå. Løb aldrig.
- Kontrollér arbejdsområdet. Fjern alle løse genstande som for eksempel sten, knust glas, søm, ståltråd,

snor og lignende, som kan slynges ud eller sno sig ind i klingens eller klingskærmen.

- Pas på grenstumper, som kan slynges væk, når du beskærer. Skær ikke for nær ved jorden, hvor sten eller andre løse genstande kan blive slynget op.
- Sørg for, at tøj eller kropsdele ikke kan komme i kontakt med klippeudstyret, mens produktet er aktiveret. Hold produktet under hoftehøjde.
- Pas på udslyngede genstande. Godkendt øjenværn skal altid anvendes. Læn dig aldrig ind over klippeudstyrskærmen. Sten, skidt m.m. kan blive slynget op i øjnene og forårsage blindhed eller alvorlige skader.
- Vær altid opmærksom på advarselssignaler eller tilråb, når høreværnet bruges. Tag altid høreværnet af, så snart produktet er standset.
- Hvis uønskede vibrationer forekommer, bank let en ny tråd ud for at få den korrekte længde til at stoppe vibrationerne.
- Hvis produktet begynder at vibrere unormalt, skal du standse produktet og fjerne batteriet.
- Overeksponering af vibrationer kan føre til kredsløbsforstyrrelser og skader på nervesystemet hos personer med kredsløbsforstyrrelser. Tal med din læge, hvis du får symptomer på overeksponering af vibrationer. Eksempler på sådanne symptomer er følelsesløshed, manglende følesans, kildren, stikken, smerte, manglende eller reduceret styrke i forhold til normalt, forandringer i hudens farve eller i dens overflade. Disse symptomer opstår almindeligvis i fingre, hænder og håndled.
- Hold altid fast om produktet med begge hænder. Hold produktet på højre side af kroppen.

## Personligt beskyttelsesudstyr



**ADVARSEL:** Læs følgende advarelsinstruktioner, inden du bruger produktet.

- Brug godkendt personligt beskyttelsesudstyr, når du bruger produktet. Personligt beskyttelsesudstyr udelukker ikke fuldstændigt risikoen for personskader, men det mindsker graden af skaderne i tilfælde af, at der skulle ske en ulykke. Lad forhandleren hjælpe dig med at vælge det rigtige udstyr.
- Brug en sikkerhedshjelm, hvor der er risiko for nedfaldende genstande.
- Brug godkendt høreværn med tilstrækkelig dæmpning. Langvarig eksponering for støj kan medføre permanente høreskader.
- Brug godkendt øjenværn. Hvis du bruger et ansigtssværn, skal du også bruge godkendte beskyttelsesbriller. Godkendte beskyttelsesbriller skal være i overensstemmelse med den amerikanske standard ANSI Z87.1 eller EU-standardEN 166.

- Brug et visir til ansigtsbeskyttelse. Et visir er ikke nok til at beskytte øjnene. (Fig. 19)
- Brug om nødvendigt beskyttelseshandsker, f.eks. ved montering, eftersyn og rengøring af skæreudstyret.
- Brug skridsikre og stabile støvler.
- Brug bekledning, der er lavet af et stærkt materiale. Brug altid kraftige lange bukser og lange ærmer. Brug ikke løstsiddende tøj, som kan sætte sig fast i buske og grene. Undgå smykker, shorts og sandaler, og gå ikke barfodet. Sæt håret op i en sikker højde, dvs. over skulderen.

(Fig. 20)

- Sørg for at have førstehjælpsudstyr ved hånden.

(Fig. 21)

## Sikkerhedsanordninger på produktet



**ADVARSEL:** Læs følgende advarselsinstruktioner, inden du bruger produktet.

I dette afsnit forklares mere om produktets sikkerhedsfunktioner og deres formål, samt hvordan kontrol og vedligeholdelse skal udføres for at sikre, at de fungerer. Se anvisningerne under afsnittet *Indledning på side 53* for at finde ud af, hvor disse dele er placeret på dit produkt.

Produktets levetid kan forkortes og risikoen for ulykker kan øges, hvis vedligeholdelsen ikke udføres korrekt, og hvis service og/eller reparation ikke udføres fagligt korrekt. Kontakt det nærmeste serviceværksted for at få yderligere oplysninger.



**ADVARSEL:** Brug aldrig et produkt med beskadiget sikkerhedsudstyr. Produktets sikkerhedsudstyr skal kontrolleres og vedligeholdes som beskrevet i dette afsnit. Klarer produktet ikke alle kontrollerne, skal du kontakte et serviceværksted for at få den repareret.



**BEMÆRK:** Al service og reparation af maskinen kræver specialuddannelse. Dette gælder især maskinens sikkerhedsudstyr. Hvis maskinen ikke klarer nogen af de nedennævnte kontroller, skal du kontakte dit serviceværksted. Ved at købe nogle af vores produkter kan du være sikker på at få en faglig korrekt reparation og service. Hvis maskinen er købt et sted, som ikke er en af vores serviceydende forhandlere, skal du spørge dem efter det nærmeste serviceværksted.

## Sådan kontrolleres brugergænsefladen

1. Tryk og hold nede på start/stopknappen (A).
  - a) Produktet er tændt, når displayet (B) bliver tændt. (Fig. 22)
  - b) Produktet er slukket, når displayet bliver slukket.
2. Hvis advarselsindikatoren bliver tændt eller blinker, se *Brugergænseflade på side 64*.

## Sådan kontrolleres låsen på strømudløseren

Låsen på strømudløseren er designet til at forhindre utilsigtet aktivering. Når du trykker strømudløserlåsen fremad (A) og derefter trykker strømudløserlåsen mod håndtaget (B), slippes strømudløseren (C). Når du trykker strømudløserlåsen fremad og derefter trykker strømudløserlåsen mod håndtaget, slippes strømudløseren. Denne bevægelse udløses af tre uafhængige fjedre.

(Fig. 23)

1. Kontrollér, at strømudløseren er låst, når strømudløseren er i udgangsstillingen. (Fig. 24)
2. Tryk på strømudløseren, og kontrollér, at den springer tilbage til udgangsstillingen, når den slippes. (Fig. 25)
3. Kontrollér, at strømudløseren og låsen på strømudløseren bevæger sig frit, og at returfjederen fungerer korrekt.
4. Start produktet, se *Sådan startes produktet på side 61*.
5. Kør med fuld hastighed.
6. Slip strømudløseren, og sørg for, at skæreudstyret standser og forbliver standset.

## Sådan kontrolleres skæreudstyrsskærmen



**ADVARSEL:** Brug ikke skæreudstyret uden en godkendt og korrekt monteret skæreudstyrsskærm. Brug altid den anbefalede beskyttelse til det skæreudstyr, du bruger, se *Tilbehør på side 66*. Hvis der monteres forkert eller defekt beskyttelse, kan det forårsage alvorlige personskader.

Skæreudstyrsskærmen standser genstande, som udkastes i retning af brugeren. Den forhindrer også skader, som kunne opstå, hvis du berører skæreudstyret.

1. Stands produktet, og fjern batteriet.
2. Se efter skader, f.eks. revner. (Fig. 26)
3. Udskift skæreudstyrsskærmen, hvis den er beskadiget.

## Trimmerhoved

- Brug altid det korrekte trimmerhoved og skæreudstyr samt den anbefalede trimmertråd. Se *Tilbehør på*

side 66 og de samlede instruktioner bagest i manualen.

- Sørg for, at klingen på trimmerskærmen ikke er beskadiget.
- Sørg for, at trimmertråden rulles hårdt og jævnt på tromlen for at forhindre usædvanlige vibrationer fra produktet. Forskellige trådlængder kan resultere i unødvendige vibrationer. Bank let på trimmerhovedet for at sikre den korrekte trådlængde.

For at opnå en længere levetid for tråden kan den lægges i vand i 2 dage eller mere, før den samles. Dette vil gøre tråden mere modstandsdygtig.

## Sikkerhedsinstruktioner til montering



**ADVARSEL:** Læs, forstå og overhold disse instruktioner nøje før brug af produktet.

- Fjern batteriet fra produktet, før du samler produktet.
- Brug godkendte beskyttelseshandsker.
- En skærm, der er beskadiget eller ikke fungerer korrekt, kan forårsage personskade. Brug ikke skæreudstyr, hvor der ikke er monteret godkendt skærm.
- Sørg for at samle dækslet og akslen korrekt før start af produktet.
- Medbringerhjulet og støtteflangen skal indkobles korrekt i skæreudstyrets midterste hul. Skæreudstyr, som er forkert monteret, kan forårsage personskade eller dødsfald.
- Hvis selen leveres sammen med tilbehøret, skal selen fastgøres korrekt til produktet. Selen gør betjeningen nem og sikker og forhindrer skader på brugeren eller andre personer.

## Montering

### Sådan monterer du loophåndtaget

1. Sæt loophåndtaget på akslen mellem pilene. Placer ikke loophåndtaget eller ophængsbeslaget på etiketten. (Fig. 27)
2. Skub afstandsstykket ind i sporet på loophåndtaget.
3. Monter møtrikken, grebet, og skruen uden at stramme for hårdt.
4. Juster produktet til en komfortabel position.
5. Spænd boltene.

### Sådan monteres skæreudstyret

Skæreudstyret omfatter en form for skæreudstyr og en skæreudstyrsskærm.



**ADVARSEL:** Bær altid beskyttelseshandsker.

## Sikkerhedsinstruktioner for vedligeholdelse



**ADVARSEL:** Læs følgende advarselsinstruktioner, inden du udfører vedligeholdelse på produktet.

- Fjern batteriet, inden du udfører vedligeholdelse, anden kontrol eller samler produktet.
- Brugeren må kun udføre den form for vedligeholdelses- og servicearbejde, der beskrives i denne brugervejledning. Kontakt en servicetekniker i forbindelse med større vedligeholdelses- og serviceopgaver.
- Batteriet eller batteriopladeren må aldrig rengøres med vand. Stærke opløsningsmidler kan beskadige plasten.
- Hvis du ikke udfører vedligeholdelse, reduceres levetiden for produktet og risikoen for ulykker øges.
- Der kræves særlig uddannelse til al service og reparation, især for sikkerhedsanordninger på produktet. Hvis ikke alle kontroller i denne brugsanvisning er godkendt, efter du har udført vedligeholdelse, skal du kontakte din servicetekniker. Vi garanterer, at der er professionelle reparationer og vedligeholdelse til rådighed for dit produkt.
- Brug altid kun originale reservedele.
- Anvend altid kraftige handsker ved reparation af skæreudstyret. Klingerne er meget skarpe og kan forårsage skader.



**ADVARSEL:** Brug altid den skæreudstyrsskærm, der anbefales til skæreudstyret. Se *Tekniske data på side 65*.



**ADVARSEL:** Forkert monteret skæreudstyr kan medføre personskade eller død.

### Sådan fastgøres skæreudstyrsskærmen til skæreudstyret

1. Fastgør skæreudstyrsskærmen (A) til krogen på pladeholderen (B). (Fig. 28)
2. Installer skæreudstyrsskærmen rundt om akslen, og spænd den med boltene (C).

## Sådan fjernes skæreudstyrsskærmen

- Løsn bolten (C), og fjern skæreudstyrsskærmen (A) fra akslen. (Fig. 29)

## Samling af trimmerhoveder



**ADVARSEL:** Når du monterer klippeudstyret, er det meget vigtigt, at den hævede del af medbringerhjulet/støtteflangen går korrekt i indgrebet i det midterste hul på klippeudstyret. Hvis klippeudstyret monteres forkert, kan det medføre alvorlige og/eller livsfarlige personskader.



**ADVARSEL:** Intet klippeudstyr må under nogen omstændigheder bruges, uden at en godkendt beskyttelse er monteret. Se *Tilbehør på side 66*. Hvis forkert

eller defekt beskyttelse monteres, kan det forårsage alvorlige personskader.

## Sådan monteres trimmerhovedet

1. Monter medbringerhjulet (B) på den udgående aksel.
2. Drej den udgående aksel rundt for at afstemme et af hullerne i medbringerhjulet med det tilsvarende hul i gearhuset.
3. Sæt låsepinden (C) ind i hullet, så akslen låses.
4. Drej trimmerhovedet (H) mod uret for at montere det. (Fig. 30)

## Sådan afmonteres trimmerhovedet

1. Sæt låsepinden (C) ind i hullet, så akslen låses.
2. Drej trimmerhovedet (H) med uret for at afmontere det.
3. Afmonter medbringerhjulet (B) fra den udgående aksel. (Fig. 30)

## Drift

### Indledning



**ADVARSEL:** Læs og forstå kapitlet om sikkerhed, før du bruger produktet.

### Sådan tilsluttes batteriet til produktet



**ADVARSEL:** Brug kun originale Husqvarna batterier med produktet.

1. Kontroller, at batteriet er fuldt opladt.
2. Skub batteriet ind i batteriholderen på produktet. Batteriet låses på plads, når du hører et klik. (Fig. 31)



**BEMÆRK:** Hvis batteriet ikke bevæger sig let ind i batteriholderen, er batteriet ikke monteret korrekt. Det kan forårsage skader på produktet.

3. Sørg for, at batteriet er monteret korrekt

### Arbejdsstilling

- Hold produktet med begge hænder.
- Hold produktet på højre side af kroppen.
- Hold skæreudstyret under taljehøjde.
- Hold kropsdele væk fra varme flader.
- Hold kropsdele væk fra skæreudstyret.

### Før du bruger produktet

- Undersøg arbejdsområdet for at sikre, at du kender terrænet, at du ved, om jorden skråner, og om der er forhindringer, f.eks. sten, grene og grøfter.
- Efterse produktet omhyggeligt.
- Udfør alle sikkerhedseftersyn samt service og vedligeholdelse, som fremgår af denne instruktionsbog.
- Sørg for, at alle afskærmninger, skærme, håndtag og skæreudstyr er korrekt fastgjort og intakte.
- Undersøg støtteflangen for revner. Udskift støtteflangen, hvis den er beskadiget.

(Fig. 32)

- Undersøg trimmerhovedet og skæreudstyrsskærmen for skader og revner. Udskift trimmerhovedet og skæreudstyrsskærmen, hvis de er blevet ramt eller er revnet.

(Fig. 33)

### Sådan startes produktet

1. Tryk på startknappen, og hold den nede, indtil det grønne LED-lys tændes. (Fig. 34)
2. Anvend strømudløseren til at regulere hastigheden.

### Sådan begrænses den maksimale hastighed med tilstandsknappen

Dette produkt har en tilstandsknap. Med tilstandsknappen kan operatøren begrænse den maksimale hastighed. Tilstandsknappen har 3 hastighedsniveauer. Et lavere niveau øger produktets driftstid. Brug niveau 1 og 2, hvis arbejdsopgaven ikke kræver fuld hastighed/fuld kraft. Hvis driftsbetingelserne

kræver fuld hastighed/fuld effekt, skal du bruge niveau 3. Brug ikke et højere niveau end nødvendigt for driften.

1. Tryk på tilstandsknappen for at angive en grænseværdi for den maksimale hastighed. De hvide LED'er tændes for at angive, at funktionen er aktiv. (Fig. 35)
2. Tryk på tilstandsknappen igen for at vælge det næste hastighedsniveau.

## Automatisk slukkefunktion

Dette produkt har en nedlukningsmetode, der deaktiverer produktet, hvis det ikke anvendes.

## Græstrimming med trimmerhoved

### Sådan trimmes græsset

1. Hold trimmerhovedet lige over jorden, og hold det i vinkel. (Fig. 36) Skub ikke græstrimmertråden ned i græsset.
2. Brug 80 % af fuld hastighed, når du klipper græs nær genstande. (Fig. 37)

### Sådan skæres græsset

1. Sørg for, at græstrimmertråden er parallel med underlaget, når du skærer. (Fig. 38)
2. Skub ikke trimmerhovedet ned mod jorden. Jorden og produktet kan blive beskadiget.

3. Lad ikke trimmerhovedet røre jorden konstant, da det kan beskadige trimmerhovedet.
4. Brug fuld hastighed, når du flytter produktet fra side til side for at skære græsset. (Fig. 39) Sørg for, at græstrimmertråden er parallelt med jorden.

## Sådan fejers græsset

Luftstrømmen fra den roterende trimmerline kan bruges til at fjerne det afskårne græs fra et område.

1. Hold trimmerhovedet og linen parallelt med jorden og over jorden.
2. Kør med fuld hastighed.
3. Flyt trimmerhovedet fra side til side og fej græsset.



**ADVARSEL:** Rens trimmerhovedets dæksel, hver gang du monterer en ny trimmerline for at undgå uligevægt og vibrationer i håndtagene. Efterse også regelmæssigt andre dele af trimmerhovedet, og rens dem om nødvendigt.

## Sådan standses produktet

1. Slip strømudløseren eller strømudløserlåsen.
2. Tryk på stopknappen. (Fig. 34)
3. Tryk på udløserknapperne på batteriet, og træk batteriet ud. (Fig. 40)

# Vedligeholdelse

## Indledning



**ADVARSEL:** Inden du udfører vedligeholdelsesarbejde, skal du læse og forstå kapitlet om sikkerhed.

## Vedligeholdelsesskema



**ADVARSEL:** Fjern batteriet, før du udfører vedligeholdelse.

Nedenfor vises en oversigt over det vedligeholdelsesarbejde, der skal udføres på produktet.

Vedligeholdelse	Hver dag	Ugentligt	Månedligt
Rengør produktets udvendige overflade med en tør klud. Brug ikke vand.	X		
Kontrollér, at start/stop-knappen fungerer korrekt og ikke er beskadiget.	X		
Kontrollér, at strømudløseren og strømudløserlåsen fungerer i sikkerhedsmæssig henseende.	X		
Sørg for, at alle kontrolenheder fungerer og ikke er beskadiget.	X		
Hold håndtagene tørre, rene og frie for olie og fedt.	X		
Sørg for, at klippeudstyret ikke er beskadiget. Udskift klippeudstyret, hvis det er beskadiget.	X		
Sørg for, at klippeudstyrskærmen er intakt. Udskift klippeudstyrskærmen, hvis den er beskadiget.	X		

Vedligeholdelse	Hver dag	Ugentligt	Månedligt
Sørg for, at skruer og møtrikker er spændt.	X		
Kontrollér, at udløserknapperne på batteriet fungerer og låser batteriet på plads i produktet.	X		
Sørg for, at batteriet ikke er beskadiget.	X		
Sørg for, at batteriet er opladt.	X		
Sørg for, at batteriopladeren er ikke er beskadiget og fungerer korrekt.	X		
Undersøg alle kabler, koblinger og tilslutninger. Sørg for, at de ikke er beskadigede eller snavsede.		X	
Sørg for, at vinkelgearet er fyldt korrekt op med fedt, se <i>Sådan smøres vinkelgearet på side 63</i> . Hvis ikke, så brug Husqvarna-fedt til vinkelgear.		X	
Kontrollér forbindelserne mellem batteriet og produktet. Kontrollér forbindelserne mellem batteriet og batteriopladeren.			X

## Sådan rengøres produktet, batteriet og batteriopladeren

1. Rengør produktet med en tør klud efter brug.
2. Rengør batteriet og batteriopladeren med en tør klud. Hold batteristyrsporene rene.
3. Sørg for, at polerne på batteriet og batteriopladeren er rene, før batteriet sættes i batteriopladeren eller produktet.

## Sådan smøres vinkelgearet

1. Tag skæreudstyret af.
2. Sæt produktet med fedtproppen i den højeste position.

3. Tag fedtproppen ud. (Fig. 41)
4. Se ind i fedtprophullet, og drej drivakslen. Fedtstanden (A) skal være på niveau med toppen af tandhulets tænder (B). (Fig. 42)
5. Hvis fedtstanden er for lav, skal du fylde vinkelgearet med Husqvarna fedt til vinkelgear. Fyld langsomt, og drej drivakslen, mens du påfører vinkelgearet fedt. Stop ved det korrekte niveau (B).



**BEMÆRK:** En forkert mængde fedt kan beskadige vinkelgearet.

6. Sæt fedtproppen i.

---

## Fejlfinding

---

### Brugergrænseflade

Problem	Mulige fejl	Mulig handling
LED-indikatoren for batteriet blinker orange	Lav batterispænding.	Oplad batteriet.
Fejl-LED blinker rødt	Overbelastning.	Klippeudstyret er blokeret. Stands produktet. Afmonter batteriet. Rengør klippeudstyret for uønskede materialer.
	Temperaturafvigelse.	Lad produktet køle af.
	Strømløseren og aktiveringsknappen trykkes ind samtidig.	Udløs strømløseren, og produktet aktiveres.
Produktet starter ikke	Batteritilslutningerne er snavsedede.	Rengør batteritilslutningerne med trykluft eller en blød børste.
Fejl-LED lyser rødt	Produktet kræver service.	Kontakt dit serviceværksted.

---

## Transport, opbevaring og bortskaffelse

---

### Transport og opbevaring

- De medfølgende li-ion-batterier overholder lovkravene vedrørende farligt gods.
- Overhold de særlige krav vedrørende emballage og etiketter til kommerciel transport, herunder tredjeparter og speditører.
- Tal med en person med specialuddannelse i farligt materiale, før du sender produktet. Overhold alle gældende nationale bestemmelser.
- Sæt tape på åbne kontakter, når batteriet lægges i en pakke. Sørg for, at batteriet ikke kan bevæge sig i pakken.
- Fjern altid batteriet ved opbevaring eller transport.
- Sæt batteriet og batteriopladeren i et rum, der er tørt og fri for fugt og frost.
- Batteriet må ikke opbevares på steder, hvor statisk elektricitet kan forekomme. Opbevar ikke batteriet i en metalkasse.
- Opbevar batteriet ved temperaturer på mellem 5 °C/41 °F og 25 °C/77 °F og væk fra direkte sollys.
- Opbevar batteriopladeren ved temperaturer på mellem 5 °C/41 °F og 45 °C/113 °F og væk fra direkte sollys.
- Brug kun batteriopladeren ved en omgivende temperatur på mellem 5 °C/41 °F og 40 °C/104 °F.

- oplad batteriet 30 % til 50 %, før du sætter det til opbevaring i længere tid.
- Opbevar batteriopladeren i et rum, der er lukket og tørt.
- Hold batteriet væk fra batteriopladeren under opbevaring. Lad ikke børn og andre ikke-autoriserede personer røre ved udstyret. Opbevar udstyret i et rum, der kan aflåses.
- Rengør produktet, og udfør fuld service, før du sætter produktet til opbevaring i længere tid.
- Brug transportskærmen på produktet for at forhindre personskader eller skader på produktet under transport og opbevaring.
- Fastspænd produktet sikkert under transporten.

### Bortskaffelse af batteriet, batteriopladeren og produktet

Symbolerne på produktet eller emballagen angiver, at produktet ikke er almindeligt husholdningsaffald. Aflever det på en genbrugsstation til elektrisk og elektronisk udstyr. Dette hjælper med at forhindre skader på miljøet og på personer.

Kontakt de lokale myndigheder, dit renovationselskab eller din forhandler for at få flere oplysninger om, hvordan du genbruger dit produkt.



## Tekniske data

### Tekniske data

	<b>325iL</b>
<b>Motor</b>	
Motorstype	BLDC (børsteløs) 36 V
Omdrejningstal på udgående aksel, 1/min	5800
Klippebredde, mm	420
<b>Vægt</b>	
Vægt uden batteri og klippeudstyr, kg	3,0
<b>Støjemissioner <sup>10</sup></b>	
Lydeffektniveau, målt dB(A)	93
Lydeffektniveau, garanteret L <sub>WA</sub> dB (A)	96
<b>Støjniveauer <sup>11</sup></b>	
Ækvivalent lydtryksniveau ved brugerens ører målt i henhold til ISO 22868, dB(A):	
Udstyret med trimmerhoved (original)	84
<b>Vibrationsniveauer <sup>12</sup></b>	
Vibrationsniveauer i håndtag målt i henhold til ISO 22867, m/s <sup>2</sup>	
Udstyret med trimmerhoved (originalt), venstre/højre, m/s <sup>2</sup>	4,3/2,9

### Godkendte batterier

<b>Batteri</b>	<b>BLI 200</b>
Type	Litiumion
Batterikapacitet, Ah	5,2
Nominel spænding, V	36
Vægt, kg (lb)	1,3 (2,9)

<sup>10</sup> Støjemissioner til omgivelserne målt som lydeffekt (LWA) i henhold til EF-direktiv 2000/14/EF. Rapporteret lydeffektniveau for maskinen er målt med det originale klippeudstyr, der giver det højeste niveau. Forskellen mellem garanteret og målt lydeffekt er, at den garanterede lydeffekt også omfatter spredning i måleresultatet og variationerne mellem forskellige maskiner af samme model i henhold til direktivet 2000/14/EF.

<sup>11</sup> Rapporterede data for maskinens lydtryksniveau har en typisk statistisk spredning (standardafvigelse) på 3 dB (A) og er blevet målt med det originale udstyr, der giver det højeste niveau.

<sup>12</sup> Rapporterede data for vibrationsniveau har en typisk statistisk spredning (standardafvigelse) på 2 m/s<sup>2</sup>. Til sammenligning af vibrationsniveauer mellem batteri- og benzindrevne produkter skal du anvende vibrationsberegneren. <https://www.husqvarna.com/uk/services-solutions/vibration-calculator/>.

## Godkendte batteriladere

Batterioplader	QC330
Indgangsspænding, V	100-240
Frekvens, Hz	50-60
Effekt, watt	330

---

## Tilbehør

---

### Tilbehør

Godkendt tilbehør	Tilbehørstype	Skæreudstyrsskærm, vare-nr.
Centerhul i klinger/knive, Ø 25,4 mm		
Udgangsaksel med gevind M10		
Trimmerhoved	T35 (Whisper twist-trimmertråd, maks. Ø 2,4 mm)	597 01 62-02

# Overensstemmelseserklæring

## EU-overensstemmelseserklæring

Vi, **Husqvarna AB**, SE-561 82 Huskvarna, Sverige,  
tlf.: +46-36-146500 erklærer under eneansvar, at det  
pågældende produkt:

<b>Beskrivelse</b>	Batteridrevet græstrimmer
<b>Varemærke</b>	Husqvarna
<b>Type / model</b>	325iL
<b>Identifikation</b>	Serienumrene fra 2023 og fremefter

overholder følgende EU-direktiver og bestemmelser:

Direktiv/bestemmelser	Beskrivelse
2006/42/EF	"vedrørende maskiner"
2014/30/EMC	"vedrørende elektromagnetisk kompatibilitet"
2011/65/EU	"vedrørende begrænsning af farlige stoffer"
2000/14/EF	"vedrørende udendørs støj"

og at følgende standarder og/eller tekniske  
specifikationer anvendes: EN 62841-1:2015/AC:2015,  
EN 62841-4-4 (IEC 62841-4-4:2020), EN  
61000-6-1:2007 (Immunity), EN 61000-6-3:2007/  
A1:2011/AC:2012 (Emission).



RISE SMP Svensk Maskinprovning AB, Box 4053,  
SE-904 03 Umeå, Sweden har foretaget en frivillig  
typeafprøvning i henhold til bilag IX til 2006/42/EF.  
Certifikatnr.: SEC/23/2579.

Notified body: 0404, RISE SMP Svensk Maskinprovning  
AB, Box 4053, SE-904 03 Umeå, Sweden har også  
bekræftet overensstemmelse med Bilag VI til Rådets  
direktiv 2000/14/EF.

Vedr. oplysninger om støjemission, se *Tekniske data på  
side 65*.

Huskvarna, 2022-12-01

Stefan Holmberg, R&D Director, Technology  
Management, Husqvarna AB

Ansvarlig for teknisk dokumentation

---

# Inhalt

---

Einleitung.....	68	Transport, Lagerung und Entsorgung.....	81
Sicherheit.....	69	Technische Angaben.....	82
Montage.....	77	Zubehör.....	84
Betrieb.....	78	Konformitätserklärung.....	85
Wartung.....	79	Anhang .....	447
Fehlerbehebung.....	80		

---

## Einleitung

---

### Produktbeschreibung

Husqvarna 325iL ist ein akkubetriebener Rasentrimmer mit einem Elektromotor.

Wir arbeiten laufend daran, Ihre Sicherheit und die Effektivität während des Betriebs zu verbessern. Ihr Servicehändler steht Ihnen gern für weitere Informationen zur Verfügung.

### Verwendungszweck

Verwenden Sie das Gerät mit einem Trimmerkopf, um unterschiedliche Arten von Vegetation zu schneiden.

### Geräteübersicht

(Abb. 1)

1. Bedienungsanleitung
2. Winkelgetriebe
3. Loch für Sperrstift
4. Trimmerkopf
5. Schutz für die Schneidausrüstung
6. Mitnehmerrad
7. Kombischlüssel
8. Loophandgriff
9. Knopf
10. Schaft
11. Sperrstift
12. Warnanzeige (LED)
13. Start-/Stopptaste
14. Tempo-Modus-Taste
15. Gashebelsperre
16. Anwenderschnittstelle
17. Gashebel
18. Akkuladegerätkabel
19. Akkuladegerät
20. Betriebs- und Warn-LED
21. Akkuentriegelungstaste
22. Akku
23. LED-Anzeige des Ladezustands
24. Warn-LED
25. Akkuanzeige-taste

Verwenden Sie das Gerät nicht für andere Zwecke als Grastrimmen und Grasfreischneiden.

**Hinweis:** Nationale oder regionale Bestimmungen regeln ggf. die Verwendung. Halten Sie sich an festgelegte Bestimmungen.

Verwenden Sie das Gerät nur mit Zubehörteilen, die vom Hersteller genehmigt sind. Siehe *Zubehör auf Seite 84*.

### Symbole auf dem Gerät

(Abb. 2) **WARNUNG!** Dieses Gerät kann gefährlich sein! Unsachgemäße oder nachlässige Handhabung kann zu schweren oder tödlichen Verletzungen des Bedieners oder anderer Personen führen. Es ist sehr wichtig, dass Sie den Inhalt dieser Bedienungsanleitung lesen und verstehen. Lesen Sie die Bedienungsanleitung sorgfältig durch, und machen Sie sich vor der Benutzung des Geräts mit dem Inhalt vertraut.

(Abb. 3) Tragen Sie einen zugelassenen Gehörschutz. Tragen Sie einen zugelassenen Augenschutz.

(Abb. 4) Maximale Drehzahl oder Drehzahl ohne Last.

XXXX/min  
oder min<sup>-1</sup> | Umdrehungen oder Hin- und Herbewegungen pro Minute.

(Abb. 5) Nennspannung, V

(Abb. 6) Gleichstrom.

- (Abb. 7) Dieses Gerät entspricht den geltenden EG-Richtlinien.
- (Abb. 8) Dieses Gerät entspricht den geltenden UK-Richtlinien.
- (Abb. 9) Tragen Sie zugelassene Schutzhandschuhe.
- (Abb. 10) Tragen Sie robuste und rutschfeste Stiefel.
- (Abb. 11) Verwenden Sie ausschließlich nichtmetallische flexible Schneid-ausrüstungen.
- (Abb. 12) Symbole auf dem Gerät oder seiner Verpackung weisen darauf hin, dass dieses Gerät nicht über den Hausmüll entsorgt werden darf. Vielmehr muss es in einer geeigneten Recycling-Einrichtung entsorgt werden.
- (Abb. 13) Das Anbaugerät kann Gegenstände mit großer Kraft herausschleudern, die zurückprallen können. Dies kann zu schweren Augenverletzungen führen, wenn die empfohlene Schutzausrüstung nicht getragen wird.
- (Abb. 14) Trennen Sie den Akku vor der Wartung.
- (Abb. 15) Das Gerät ist gegen Spritzwasser geschützt.
- (Abb. 16) Halten Sie alle Körperteile von heißen Oberflächen fern.
- (Abb. 17) Etikett mit Geräuschemissionen gemäß EU- und UK-Richtlinien und Verordnungen sowie der australischen „Protection of the Environment Operations (Noise Control) Regulation 2017“ (Umweltschutz-/Lärmschutzbestimmung) von New South Wales. Der garantierte Schalleistungspegel des Geräts ist unter *Technische Daten auf Seite 82*.

yyyywwxxxx

Auf dem Typenschild ist die Seriennummer angegeben. **yyyy** ist das Produktionsjahr, **ww** die Produktionswoche und **xxxx** die fortlaufende Nummer.

(Abb. 18)

Der Bediener hat dafür zu Sorge zu tragen, dass Menschen und Tiere einen Abstand von mindestens 15 m einhalten. Wenn mehrere Bediener im selben Nahbereich arbeiten, muss der Sicherheitsabstand mindestens 15 m betragen.

**Hinweis:** Weitere Symbole/Aufkleber auf dem Gerät beziehen sich auf die Zertifizierungsanforderungen für andere kommerzielle Bereiche.

## Produktschäden

Wir haften nicht für Schäden an unserem Produkt, wenn:

- das Gerät nicht ordnungsgemäß repariert wird.

- das Gerät mit Teilen repariert wird, die nicht vom Hersteller stammen oder nicht vom Hersteller zugelassen sind.
- ein Zubehörteil mit dem Gerät verwendet wird, das nicht vom Hersteller stammt oder nicht vom Hersteller zugelassen ist.
- das Gerät nicht bei einem zugelassenen Service Center oder von einem zugelassenen Fachmann repariert wird.

## Sicherheit

### Sicherheitsdefinitionen

Warnungen, Vorsichtsmaßnahmen und Hinweise werden verwendet, um auf besonders wichtige Teile der Bedienungsanleitung hinzuweisen.



**WARNUNG:** Wird verwendet, wenn bei Nichtbeachtung der Anweisungen in diesem Handbuch die Gefahr von Verletzung oder Tod des Bedieners oder anderer Personen besteht.



**ACHTUNG:** Wird verwendet, wenn bei Nichtbeachtung der Anweisungen in diesem Handbuch die Gefahr von Schäden am Gerät, an anderen Materialien oder in der Umgebung besteht.

**Hinweis:** Für weitere Informationen, die in bestimmten Situationen nötig sind.

## Allgemeine Sicherheitshinweise für Elektrowerkzeuge



**WARNUNG:** Lesen Sie alle für dieses Elektrowerkzeug vorgesehenen Sicherheitshinweise, Anleitungen, Abbildungen und technischen Daten. Wenn Sie die unten stehenden Anweisungen nicht befolgen, kann dies zu elektrischen Schlägen, Brand und/oder schweren Verletzungen führen.

- **Bewahren Sie alle Warnhinweise und Anweisungen für spätere Referenzzwecke auf.** Der Begriff „Elektrowerkzeug“ in den Warnhinweisen bezieht sich auf ein Elektrowerkzeug mit Netzbetrieb (über ein Kabel) oder mit Akkubetrieb (kabellos).

### Sicherheit im Arbeitsbereich

- **Sorgen Sie für einen sauberen und gut ausgeleuchteten Arbeitsbereich.** Durch zugestellte oder dunkle Arbeitsbereiche steigt die Unfallgefahr stark an.
- **Betreiben Sie Elektrowerkzeuge niemals an Orten, an denen Explosionsgefahr besteht, z. B. in der Nähe von leicht entzündlichen Flüssigkeiten, Gasen oder Staubansammlungen.** Bei der Arbeit mit Elektrowerkzeugen kann es zu Funkenbildung kommen, wodurch sich Staub oder Dämpfe entzünden können.
- **Sorgen Sie bei der Arbeit mit Elektrowerkzeugen dafür, dass sich keine Kinder oder unbefugte Personen in der Nähe befinden.** Durch Ablenkungen können Sie die Kontrolle über das Werkzeug verlieren.

### Elektrische Sicherheit

- **Die Netzstecker von Elektrowerkzeugen müssen zur Steckdose passen. Der Netzstecker darf in keiner Weise verändert werden. Verwenden Sie bei Elektrowerkzeugen mit Schutzkontakt (geerdet) niemals Adapterstecker.** Nicht modifizierte Stecker und Steckdosen reduzieren das Risiko eines Elektroschocks.
- **Vermeiden Sie Körperkontakt mit geerdeten Gegenständen wie Rohrleitungen, Heizungen, Herden oder Kühlschränken.** Bei Körperkontakt mit geerdeten Gegenständen besteht ein erhöhtes Stromschlagrisiko.

- **Setzen Sie Elektrowerkzeuge niemals Regen oder sonstiger Feuchtigkeit aus.** Wenn Wasser in ein Elektrowerkzeug eindringt, erhöht sich das Stromschlagrisiko.
- **Verwenden Sie das Anschlusskabel nicht missbräuchlich. Verwenden Sie das Anschlusskabel niemals zum Tragen oder Heranziehen des Elektrowerkzeugs, und ziehen Sie den Stecker nicht am Anschlusskabel aus der Steckdose. Halten Sie das Kabel fern von Hitzequellen, Öl, scharfen Kanten und beweglichen Teilen.** Beschädigte oder verdrehte Anschlusskabel erhöhen das Stromschlagrisiko.
- **Wenn Sie ein Elektrowerkzeug im Freien benutzen, verwenden Sie ein für den Außeneinsatz geeignetes Verlängerungskabel.** Die Verwendung eines für den Außeneinsatz geeigneten Kabels verringert das Risiko eines Stromschlags.
- **Falls der Einsatz eines Elektrowerkzeugs in einer feuchten Umgebung nicht zu vermeiden ist, benutzen Sie eine Stromversorgung mit FI-Schutzschalter (RCD).** Die Verwendung einer Fehlerstrom-Schutzeinrichtung (RCD) verringert das Risiko eines elektrischen Schlags.

### Persönliche Sicherheit

- **Bleiben Sie aufmerksam, achten Sie auf das, was Sie tun, und setzen Sie gesunden Menschenverstand ein, wenn Sie mit Elektrowerkzeugen arbeiten. Benutzen Sie keine Elektrowerkzeuge, wenn Sie müde sind oder unter dem Einfluss von Drogen, Alkohol oder Medikamenten stehen.** Bei der Arbeit mit Elektrowerkzeugen können bereits kurze Phasen der Unaufmerksamkeit zu schweren Verletzungen führen.
- **Tragen Sie eine persönliche Schutzausrüstung. Tragen Sie stets einen Augenschutz.** Schutzausrüstung wie Atemschutzmaske, rutschsichere Sicherheitsschuhe, Schutzhelm und Gehörschutz senkt bei angemessenem Einsatz das Verletzungsrisiko.
- **Vermeiden Sie ein versehentliches Starten. Achten Sie darauf, dass sich der Schalter in der AUS-Stellung befindet, bevor Sie das Elektrowerkzeug an die Stromversorgung und/oder den Akku anschließen oder es hochheben oder herumtragen.** Durch Herumtragen von Elektrowerkzeugen mit dem Finger am Schalter und das Einstecken des Steckers bei betätigtem Schalter steigt das Unfallrisiko stark an.
- **Entfernen Sie sämtliche Einstellschlüssel, bevor Sie das Elektrowerkzeug einschalten.** Ein an einem beweglichen Teil des Elektrowerkzeugs angebrachter Schlüssel kann zu Verletzungen führen.
- **Sorgen Sie für einen festen Stand. Achten Sie jederzeit darauf, sicher zu stehen und das Gleichgewicht zu bewahren.** Dadurch haben Sie das

Elektrowerkzeug in unerwarteten Situationen besser im Griff.

- **Kleiden Sie sich richtig. Tragen Sie niemals lose sitzende Kleidung oder Schmuck. Halten Sie Haar und Kleidung von beweglichen Teilen fern.** Lose sitzende Kleidung, Schmuck oder langes Haar kann von beweglichen Teilen erfasst werden.
- **Wenn Anschlüsse für Staubabsaug- und Staubsammelvorrichtungen vorhanden sind, sorgen Sie dafür, dass diese richtig angeschlossen und eingesetzt werden.** Die Verwendung von Staubsammelvorrichtungen vermindert durch Staub verursachte Gefahren.
- **Auch wenn Sie durch häufige Verwendung bestens mit den Werkzeugen vertraut sind, dürfen Sie keinesfalls nachlässig werden und die Sicherheitsgrundsätze ignorieren.** Eine achtlose Handlung kann im Bruchteil einer Sekunde zu schweren Verletzungen führen.

## Verwendung und Pflege von Elektrowerkzeugen

- **Überbeanspruchen Sie Elektrowerkzeuge nicht. Benutzen Sie das richtige Elektrowerkzeug für Ihren Einsatzzweck.** Das richtige Elektrowerkzeug erledigt seine Arbeit bei bestimmungsgemäßem Einsatz besser und sicherer.
- **Benutzen Sie das Elektrowerkzeug nicht, wenn es sich nicht am Schalter ein- und ausschalten lässt.** Jedes Elektrowerkzeug, das nicht mit dem Schalter betätigt werden kann, stellt eine Gefahr dar und muss repariert werden.
- **Trennen Sie das Elektrowerkzeug von der Stromversorgung, bzw. entfernen Sie den Akku, bevor Sie Einstellungen vornehmen, Zubehörteile austauschen oder das Elektrowerkzeug verstauen.** Solche präventiven Sicherheitsmaßnahmen verhindern den unbeabsichtigten Start des Elektrowerkzeugs.
- **Lagern Sie nicht benutzte Elektrowerkzeuge außerhalb der Reichweite von Kindern, und lassen Sie nicht zu, dass Personen das Elektrowerkzeug bedienen, die nicht mit dem Werkzeug selbst und/oder diesen Anweisungen vertraut sind.** Elektrowerkzeuge stellen in ungeschulten Händen eine Gefahr dar.
- **Warten Sie Elektrowerkzeuge und Zubehör. Prüfen Sie auf Fehlausrichtungen, sicheren Halt und Leichtgängigkeit beweglicher Teile, Beschädigungen von Teilen sowie auf jegliche andere Zustände, die sich auf den Betrieb des Elektrowerkzeugs auswirken können. Bei Beschädigungen lassen Sie das Elektrowerkzeug reparieren, bevor Sie es benutzen.** Viele Unfälle mit Elektrowerkzeugen sind auf schlechte Wartung zurückzuführen.
- **Halten Sie Schneidwerkzeuge scharf und sauber.** Ordnungsgemäß gewartete Schneidwerkzeuge mit scharfen Schneidkanten bleiben seltener hängen und sind einfacher zu bedienen.

- **Benutzen Sie Elektrowerkzeuge, Zubehör, Werkzeugeinsätze und Ähnliches in Übereinstimmung mit diesen Anweisungen und auf die für das jeweilige Elektrowerkzeug bestimmungsgemäße Weise, und beachten Sie dabei die jeweiligen Arbeitsbedingungen und die Art der auszuführenden Arbeiten.** Der Einsatz eines Elektrowerkzeugs für Zwecke, die von den hier angegebenen abweichen, kann zu Gefahrensituationen führen.
- **Halten Sie die Handgriffe und Griffflächen trocken, sauber und frei von Öl und Fett.** Wenn Handgriffe und Griffflächen rutschig sind, kann das Werkzeug in unerwarteten Situationen nicht sicher bedient und kontrolliert werden.

## Verwendung und Pflege von akkubetriebenen Werkzeugen

- **Eine Aufladung darf nur mit dem vom Hersteller vorgeschriebenen Ladegerät durchgeführt werden.** Durch ein für einen bestimmten Akkutyp geeignetes Ladegerät kann Brandgefahr entstehen, wenn es für einen anderen Akku verwendet wird.
- **Verwenden Sie Elektrowerkzeuge nur mit speziell ausgezeichneten Akkus.** Die Verwendung anderer Akkus kann zu Verletzungs- und Brandgefahr führen.
- **Wird der Akku nicht verwendet, halten Sie ihn von Metallgegenständen wie Büroklammern, Münzen, Schlüsseln, Nägeln, Schrauben oder anderen kleineren Metallobjekten fern, da es zu einer Überbrückung der Kontakte kommen könnte.** Durch Kurzschluss der Akkuklemmen kann es zu Verbrennungen oder Bränden kommen.
- **Unter missbräuchlichen Bedingungen kann Flüssigkeit aus dem Akku austreten; vermeiden Sie Kontakt damit. Bei versehentlichem Hautkontakt sofort mit Wasser abspülen. Sollten Ihre Augen damit in Berührung gekommen sein, suchen Sie sofort ärztliche Hilfe auf.** Durch austretende Flüssigkeit aus dem Akku kann es zu Reizungen oder Verbrennungen kommen.
- **Verwenden Sie keinen Akku und kein Werkzeug, der bzw. das defekt ist oder modifiziert wurde.** Beschädigte oder modifizierte Akkus können ein unvorhersehbares Verhalten aufweisen, welches zu Feuer, Explosionen oder Verletzungsgefahren führen kann.
- **Setzen Sie Akku oder Werkzeug niemals Feuer oder sehr hohen Temperatur aus.** Feuer oder Temperaturen über 130 °C (266 °F) können zu einer Explosion führen.
- **Befolgen Sie die Ladeanweisungen und laden Sie den Akku oder das Werkzeug niemals bei Temperaturen außerhalb den in der Anleitung angegebenen Temperaturbereichen auf.** Unsachgemäßes Aufladen oder Aufladen bei Temperaturen außerhalb des angegebenen Bereichs kann den Akku beschädigen und die Brandgefahr erhöhen.

## Service

- **Lassen Sie das Elektrowerkzeug von einem qualifizierten Fachmann reparieren, und bestehen Sie darauf, dass nur Originalersatzteile verwendet werden.** Auf diese Weise wird dafür gesorgt, dass die Sicherheit des Elektrowerkzeugs nicht beeinträchtigt wird.
- **Warten Sie niemals beschädigte Akkus.** Akkus dürfen nur vom Hersteller oder von autorisierten Serviceanbietern gewartet werden.

## Sicherheitshinweise für Rasentrimmer, Motorsense und Motorsäge

- **Verwenden Sie das Gerät nicht bei schlechten Wetterverhältnissen, insbesondere dann nicht, wenn Blitzschlaggefahr besteht.** Dadurch wird die Gefahr eines Blitzschlags reduziert.
- **Untersuchen Sie den Bereich, in dem das Gerät eingesetzt werden soll, sorgfältig auf Tiere.** Tiere können während des Betriebs durch das Gerät verletzt werden.
- **Überprüfen Sie sorgfältig das Gelände, in dem das Gerät eingesetzt werden soll, und entfernen Sie alle losen Gegenstände wie Steine, Stöcke, Kabel, Knochen und sonstige Fremdojekte.** Aufgeschleuderte Gegenstände können schwere Verletzungen verursachen.
- **Unterziehen Sie das Gerät vor dem Einsatz stets einer Sichtprüfung, um sicherzustellen, dass Schneidwerkzeug oder Klingeneinheit nicht beschädigt sind.** Beschädigte Teile erhöhen das Verletzungsrisiko.
- **Beachten Sie die Anweisungen zum Auswechseln des Zubehörs.** Falsch angezogene Befestigungsmuttern oder -schrauben an den Klingen können die Klinge beschädigen oder dazu führen, dass sie sich löst.
- **Die Nenndrehzahl des Schneidwerkzeugs muss mindestens der maximalen Drehzahl entsprechen, die auf der Maschine angegeben ist.** Schneidwerkzeuge, die schneller als ihre Nenndrehzahl laufen, können brechen und umherfliegen.
- **Tragen Sie Augen-, Ohren-, Kopf- und Handschutz.** Eine angemessene Schutzausrüstung verringert das Verletzungsrisiko durch umherfliegende Bruchstücke oder durch versehentlichen Kontakt mit dem Schnitffaden oder der Klinge.
- **Tragen Sie beim Betrieb des Geräts stets rutschfeste Sicherheitsschuhe. Bedienen Sie das Gerät nicht barfuß oder mit Sandalen.** Dadurch wird die Verletzungsgefahr an den Füßen durch Kontakt mit dem rotierenden Schneidwerkzeug, dem Faden oder der Klinge verringert.
- **Tragen Sie beim Betrieb der Maschine stets eine lange Hose.** Freiliegende Haut erhöht die Wahrscheinlichkeit von Verletzungen durch aufgeschleuderte Gegenstände.
- **Achten Sie beim Betrieb des Geräts darauf, dass sich keine umstehenden Personen in Ihrer Nähe befinden.** Weggeschleuderte Pflanzenteile können schwere Verletzungen verursachen.
- **Bedienen Sie die Maschine immer mit beiden Händen.** Das Festhalten der Maschine mit beiden Händen verhindert einen möglichen Kontrollverlust.
- **Halten Sie die Maschine nur an den isolierten Griffoberflächen fest, falls der Schnitffaden oder die Klinge in Kontakt mit verborgenen Stromleitungen kommt.** Schnitffäden oder Klingen, die mit einer stromführenden Leitung in Berührung kommen, können freiliegende Metallteile der Maschine unter Strom setzen und dem Bediener einen Stromschlag versetzen.
- **Achten Sie stets auf festen Stand, und betreiben Sie die Maschine nur, wenn Sie auf einer festen, sicheren und geraden Oberfläche stehen.** Auf rutschigen oder instabilen Oberflächen kann es zu einem Verlust des Gleichgewichts oder der Kontrolle über die Maschine kommen.
- **Betreiben Sie das Gerät nicht an übermäßig steilen Hängen.** So reduzieren Sie die Verletzungsgefahr durch Kontrollverlust, Wegrutschen oder Stürze.
- **Achten Sie bei Arbeiten an Hängen immer auf festen Stand, arbeiten Sie immer quer statt längs zum Hang, und gehen Sie beim Richtungswechsel mit äußerster Vorsicht vor.** So reduzieren Sie die Verletzungsgefahr durch Kontrollverlust, Wegrutschen oder Stürze.
- **Halten Sie alle Körperteile vom Schneidwerkzeug, dem Faden oder der Klinge fern, wenn die Maschine in Betrieb ist. Stellen Sie vor dem Starten der Maschine sicher, dass das Schneidwerkzeug, der Faden oder die Klinge nichts berühren.** Bei der Arbeit mit der Maschine können bereits kurze Phasen der Unaufmerksamkeit zu schweren Verletzungen führen.
- **Betreiben Sie das Gerät nicht über Hüfthöhe.** Auf diese Weise vermeiden Sie unbeabsichtigten Kontakt mit dem Schneidwerkzeug oder der Klinge. Sie können das Gerät so in unerwarteten Situationen besser kontrollieren.
- **Rechnen Sie beim Schneiden von Dickicht oder Jungbäumen, die unter Spannung stehen, mit dem Zurückschnellen derselben.** Wenn die Spannung der Holzfasern freigesetzt wird, kann das unter Spannung stehende Dickicht bzw. der Jungbaum den Bediener treffen und/oder die Maschine außer Kontrolle setzen.
- **Gehen Sie beim Schneiden von Dickicht und Jungbäumen besonders umsichtig vor.** Das dünne Material kann sich in der Klinge verfangen und in Ihre Richtung geschleudert werden bzw. Sie aus dem Gleichgewicht bringen.
- **Behalten Sie die Kontrolle über die Maschine, und berühren Sie keine Schneidwerkzeuge, Fäden oder Klingen sowie andere gefährliche bewegliche Teile, während diese noch in Bewegung sind.**



- So reduzieren Sie die Verletzungsgefahr durch bewegliche Teile.
- **Stellen Sie beim Beseitigen von eingeklemmtem Material oder bei der Wartung der Geräts sicher, dass alle Schalter ausgeschaltet sind und das Netzkabel getrennt ist.** Eine unerwartete Betätigung der Maschine beim Entfernen von eingeklemmten Material oder bei der Wartung kann zu schweren Verletzungen führen.
  - **Tragen Sie das Gerät nur in ausgeschaltetem Zustand und weg vom Körper.** Durch den ordnungsgemäßen Umgang mit der Maschine wird die Wahrscheinlichkeit eines versehentlichen Kontakts mit einem rotierenden Schneidwerkzeug, Faden bzw. einer rotierenden Klinge verringert.
  - **Beim Transport oder bei der Lagerung der Maschine muss immer die Abdeckung auf den Metallklingen angebracht werden.** Der richtige Umgang mit der Maschine verringert die Wahrscheinlichkeit des Kontakts mit der Klinge.
  - **Verwenden Sie nur vom Hersteller angegebene Ersatzschneidwerkzeuge, -fäden, -schneidköpfe und -klingen.** Nicht ordnungsgemäße Ersatzteile können zu Kontrollverlust, Brüchen und Verletzungen führen.

## Andere allgemeine Sicherheitsinformationen

- Schalten Sie das Gerät aus, bevor Sie sich in einen anderen Bereich begeben. Für die Übergabe des Geräts an eine andere Person muss der Akku entnommen werden.
- Legen Sie das Gerät nur dann ab, wenn Sie es ausgeschaltet und den Akku entfernt haben. Lassen Sie das Gerät nicht unbeaufsichtigt, wenn es eingeschaltet ist.
- Wird das Gerät ausgeschaltet, läuft das Schneidwerkzeug noch etwas nach.
- Vor Gebrauch des Geräts und nach jedem Schlag oder Stoß muss das Gerät auf Anzeichen von Verschleiß oder Schäden überprüft und ggf. repariert werden.
- Wenn während der Arbeit mit dem Gerät irgendetwas in der Schneidausrüstung hängen bleibt, halten Sie das Gerät an und schalten es aus. Stellen Sie sicher, dass die Schneidausrüstung vollständig stoppt. Entfernen Sie den Akku, bevor Sie das Gerät und/oder die Schneidausrüstung reinigen, überprüfen oder reparieren.
- Überprüfen Sie das Gerät vor dem Gebrauch. Siehe *Sicherheitsvorrichtungen am Gerät auf Seite 75* und *Wartung auf Seite 79*. Verwenden Sie das Gerät nicht, wenn es defekt ist. Führen Sie die in dieser Bedienungsanweisung beschriebenen Kontroll-, Wartungs- und Serviceanweisungen durch.
- Eine nicht ordnungsgemäß funktionierende Schneidausrüstung kann die Unfallgefahr erhöhen.
- Prüfen Sie das Getriebe auf Verschmutzungen und Risse. Entfernen Sie Gras und Blätter mit Hilfe einer Bürste aus dem Getriebe. Handschuhe sind dann zu tragen, wenn dies notwendig ist.
- Stellen Sie sicher, dass die Lüftungsöffnungen stets frei von Schmutz sind.
- Prüfen Sie, ob der Trimmerkopf fest am Trimmer angebracht ist.
- Vor dem Start müssen sämtliche Abdeckungen, Schutzvorrichtungen und Griffe angebracht sein.
- Prüfen Sie, ob sich das Gerät in einwandfreiem Arbeitszustand befindet. Kontrollieren Sie, ob alle Muttern und Schrauben angezogen sind.
- Überprüfen Sie Trimmerkopf und Trimmerschutz auf Schäden und Risse. Wenn Trimmerkopf oder Trimmerschutz Risse haben oder Schlägen ausgesetzt gewesen sind, müssen sie ausgetauscht werden. Verwenden Sie stets den empfohlenen Schutz für die jeweilige Schneidausrüstung. Siehe *Zubehör auf Seite 84*.
- Dieses Gerät ist ein gefährliches Werkzeug, wenn Sie nicht aufpassen oder es unsachgemäß verwenden. Dieses Gerät kann schwere oder tödliche Verletzungen des Bedieners oder anderer Personen verursachen.
- Der Gebrauch des Geräts durch Personen (einschließlich Kindern), die über eingeschränkte körperliche, sensorische oder geistige Fähigkeiten verfügen oder denen es an der erforderlichen Erfahrung und Kenntnissen mangelt, ist untersagt, sofern sie nicht von einer für ihre Sicherheit verantwortlichen Person bei der Arbeit überwacht und im Gebrauch des Geräts zuvor geschult wurden. Lassen Sie keine Kinder mit dem Gerät spielen. Das Gerät ist kein Spielzeug!
- Erlauben Sie niemals Kindern, das Gerät zu benutzen oder sich in seiner Nähe aufzuhalten. Da das Gerät leicht zu starten ist, könnten auch Kinder bei unzureichender Aufsicht in der Lage sein, es zu starten. Dies kann zu schweren Verletzungen führen. Entfernen Sie daher stets den Akku, wenn das Gerät unbeaufsichtigt ist.
- Kinder oder nicht im Gebrauch des Geräts und/oder des Akkus geschulte Personen dürfen das Gerät bzw. den Akku weder bedienen noch warten.
- Lagern Sie die Ausrüstung in einem verschleißbaren Raum, sodass sie für Kinder und Unbefugte unzugänglich ist.
- Halten Sie Hände und Füße stets vom Schnittbereich fern. Dies gilt insbesondere während des Motorstarts.
- Halten Sie Hände und Füße nach Abschalten von der Schneidausrüstung fern, bis diese vollständig stillsteht.
- Sie dürfen das geschnittene Material nicht selbst entfernen oder von anderen Personen entfernen lassen, wenn das Gerät noch aktiviert ist oder die Schneidausrüstung sich dreht, weil dies zu schweren Verletzungen führen kann.
- Denken Sie stets daran, dass Sie als Bediener für eventuell entstehende Sach- und Personenschäden verantwortlich sind.

- Unter keinen Umständen darf die ursprüngliche Konstruktion des Geräts ohne Genehmigung des Herstellers geändert werden. Verwenden Sie immer Originalzubehör. Unzulässige Änderungen und/oder unzulässiges Zubehör können zu schweren oder sogar tödlichen Verletzungen des Anwenders oder anderer Personen führen. Möglicherweise deckt Ihre Gewährleistung keine Schäden, die durch die Verwendung von nicht zulässigem Zubehör oder nicht zulässigen Ersatzteilen verursacht werden, bzw. keine diesbezügliche Haftung ab.
- Das einzige Zubehör, mit dem dieses Gerät verwendet werden darf, ist die Schneidausrüstung, die im Kapitel „Technische Daten“ empfohlen wird. Siehe *Zubehör auf Seite 84*.
- Arbeiten Sie niemals mit einem Gerät, das ohne Zustimmung des Herstellers modifiziert wurde und nicht mehr mit der Originalausführung übereinstimmt
- Arbeiten Sie niemals mit einem defekten Gerät. Befolgen Sie die Kontroll-, Wartungs- und Serviceanweisungen in dieser Betriebsanleitung. Gewisse Wartungs- und Servicemaßnahmen sind von geschulten, qualifizierten Fachleuten auszuführen. Siehe Anweisungen unter dem Titel „Wartung“.
- Das Arbeiten bei schlechtem Wetter ist nicht nur ermüdend, sondern birgt auch zusätzliche Risiken. Aufgrund des höheren Risikos wird davon abgeraten, das Gerät bei sehr schlechtem Wetter zu verwenden, z. B. bei dichtem Nebel, starkem Regen, starkem Wind, großer Kälte, Gewittergefahr usw.
- Arbeiten Sie niemals stehend auf einer Leiter oder einem Hocker oder in einer anderen, nicht ausreichend gesicherten erhöhten Position.
- Lagern Sie inaktive Geräte in Innenräumen – Geräte, die nicht benutzt werden, sollten in Innenräumen gelagert werden
- Es ist unmöglich, hier alle denkbaren Situationen zu beschreiben. Gehen Sie stets vorsichtig vor und arbeiten Sie mit gesundem Menschenverstand. Vermeiden Sie Situationen, denen Sie sich nicht gewachsen fühlen. Wenn Sie sich nach dem Lesen dieser Anweisungen immer noch unsicher fühlen, wie Sie vorgehen sollen, bitten Sie einen Fachmann um Rat, bevor Sie fortfahren.
- Stellen Sie sicher, dass während der Verwendung Menschen und Tiere einen Abstand von mindestens 15 Metern einhalten. Wenn mehrere Bediener am gleichen Einsatzort tätig sind, muss der Sicherheitsabstand mindestens 15 Meter betragen. Andernfalls kann es zu schweren Verletzungen kommen. Stellen Sie das Gerät sofort ab, wenn sich Personen oder Tiere nähern. Drehen Sie sich niemals abrupt mit dem Gerät um, ohne vorher sicherzustellen, dass sich hinter Ihnen niemand innerhalb der Sicherheitszone befindet.
- Stellen Sie sicher, dass weder Menschen noch Tiere oder andere Dinge die Kontrolle des Geräts beeinflussen oder mit der Schneidausrüstung oder umherfliegenden Gegenständen in Berührung

kommen. Sie dürfen das Gerät niemals benutzen, wenn im Falle eines Unfalls nicht die Möglichkeit besteht, Hilfe herbeizurufen.

- Vergewissern Sie sich, dass Sie sicher gehen und stehen können. Achten Sie auf eventuelle Hindernisse (Wurzeln, Steine, Äste, Löcher, Gräben usw.), wenn Sie unvermittelt Ihren Standort wechseln. Beim Arbeiten auf abschüssigem Boden müssen Sie immer sehr vorsichtig sein.
- Gehen Sie, auf keinen Fall dürfen Sie laufen.
- Überprüfen Sie den Arbeitsbereich. Entfernen Sie alle losen Gegenstände, z. B. Steine, Glasscherben, Nägel, Drähte, Schnüre, usw., die weggeschleudert werden oder sich in der Schneidausrüstung oder Schutz-ausrüstung verfangen können.
- Achten Sie auf Aststückchen, die beim Schneiden weggeschleudert werden können. Schneiden Sie nicht zu dicht am Boden, wo Steine und andere Gegenstände weggeschleudert werden können.
- Stellen Sie sicher, dass keine Kleidung und kein Körperteil mit der Schneidausrüstung in Kontakt kommen, wenn das Gerät aktiviert ist. Halten Sie das Gerät stets unterhalb der Taille.
- Achten Sie auf hochgeschleuderte Gegenstände. Tragen Sie immer einen zugelassenen Augenschutz. Beugen Sie sich niemals über den Schutz für die Schneidausrüstung. Hochgeschleuderte Steine, Unrat usw. können die Augen treffen und Blindheit oder schwere Verletzungen verursachen.
- Achten Sie immer genau auf Warnsignale oder Rufe, wenn Sie den Gehörschutz tragen. Nehmen Sie den Gehörschutz immer ab, sobald das Gerät abgestellt ist.
- Ziehen Sie bei unerwünschten Vibrationen einen neuen Faden bis zur richtigen Länge aus, um die Vibrationen zu stoppen.
- Wenn das Gerät anfängt, ungewöhnlich zu vibrieren, halten Sie es an und entfernen Sie den Akku.
- Eine übermäßige Belastung durch Vibrationen kann bei Personen mit Durchblutungsstörungen zu Kreislaufschäden oder Nervenschäden führen. Sprechen Sie mit Ihrem Arzt, wenn Sie nach übermäßiger Belastung durch Vibrationen irgendwelche Beschwerden haben. Beispiele solcher Symptome sind: Taubheit von Körperteilen, Gefühlsverlust, Jucken, Stechen, Schmerz, Verlust oder Beeinträchtigung der normalen Körperkraft, Veränderungen der Hautfarbe oder der Haut. Diese Beschwerden treten normalerweise in den Fingern, Händen und Handgelenken auf.
- Halten Sie das Gerät stets mit beiden Händen. Halten Sie das Gerät auf der rechten Seite des Körpers.

## Persönliche Schutzausrüstung



**WARNUNG:** Lesen Sie die folgenden Warnhinweise, bevor Sie das Gerät benutzen.

- Verwenden Sie stets die vorgeschriebene persönliche Schutzausrüstung bei der Benutzung des Geräts. Die persönliche Schutzausrüstung kann Verletzungen nicht vollständig vermeiden, vermindert aber den Umfang der Verletzungen und Schäden bei einem Unfall. Lassen Sie sich bei der Auswahl der richtigen Ausrüstung von Ihrem Händler beraten.
- Tragen Sie einen Schutzhelm in Bereichen, in denen Gefahr durch herabfallende Gegenstände besteht.
- Tragen Sie einen zugelassenen Gehörschutz mit ausreichender Lärminderung. Eine längerfristige Lärmeinwirkung kann zu bleibenden Gehörschäden führen.
- Tragen Sie einen zugelassenen Augenschutz. Bei der Benutzung eines Visiers ist außerdem eine zugelassene Schutzbrille zu tragen. Zugelassene Schutzbrillen müssen die Normen ANSI Z87.1 für die USA bzw. EN 166 für EU-Länder erfüllen.
- Verwenden Sie einen Gesichtsschutz. Ein Gesichtsschutz allein reicht nicht aus, um die Augen zu schützen.

(Abb. 19)

- Tragen Sie bei Bedarf Schutzhandschuhe, beispielsweise bei der Montage, der Untersuchung oder der Reinigung der Schneidausrüstung.
- Verwenden Sie rutschfeste und stabile Stiefel.
- Tragen Sie Kleidung aus reißfestem Material. Tragen Sie stets lange Hosen aus schwerem Stoff und lange Ärmel. Tragen Sie keine weite Kleidung, die sich leicht an Ästen und Zweigen verfangen könnte. Vermeiden Sie das Tragen von Schmuck, kurzen Hosen und Sandalen. Gehen Sie nicht barfuß. Binden Sie Ihre Haare sicherheitshalber zusammen, so dass sie nicht über Ihre Schultern fallen.

(Abb. 20)

- Halten Sie eine Erste-Hilfe-Ausrüstung und einen Feuerlöscher griffbereit.

(Abb. 21)

## Sicherheitsvorrichtungen am Gerät



**WARNUNG:** Lesen Sie die folgenden Warnhinweise, bevor Sie das Gerät verwenden.

In diesem Abschnitt werden einzelnen Teile der Sicherheitsausrüstung des Gerätes beschrieben, welche Funktion sie haben und wie ihre Kontrolle und Wartung ausgeführt werden sollen, um sicherzustellen, dass sie funktionsfähig sind. Unter der Überschrift *Einleitung auf Seite 68* finden Sie Angaben zur Position der Teile an Ihrem Gerät.

Die Lebensdauer des Geräts kann verkürzt werden und die Unfallgefahr kann steigen, wenn die Wartung des Geräts nicht ordnungsgemäß und Service und/oder Reparaturen nicht fachmännisch ausgeführt werden.

Wenden Sie sich für weitere Informationen an Ihre Vertragswerkstatt.



**WARNUNG:** Benutzen Sie kein Gerät mit defekten Sicherheitsvorrichtungen. Die Sicherheitsausrüstung des Gerätes muss so kontrolliert und gewartet werden, wie dies in diesem Abschnitt beschrieben wird. Wenn Ihr Gerät diesen Anforderungen nicht entspricht, muss eine Servicewerkstatt aufgesucht werden.



**ACHTUNG:** Service und Reparatur des Gerätes erfordern eine Spezialausbildung. Dies gilt besonders für die Sicherheitsausrüstung des Geräts. Wenn Ihr Gerät den unten aufgeführten Kontrollanforderungen nicht entspricht, müssen Sie Ihre Servicewerkstatt aufsuchen. Beim Kauf eines unserer Geräte wird gewährleistet, dass Reparatur- oder Servicearbeiten fachmännisch ausgeführt werden. Sollte der Verkäufer Ihres Gerätes nicht an unser Fachhändler-Service-Netz angeschlossen sein, fragen Sie nach unserer nächstgelegenen Servicewerkstatt.

## So prüfen Sie die Benutzeroberfläche

1. Drücken Sie die Start-/Stopptaste (A), und halten Sie sie gedrückt.
  - a) Das Gerät ist eingeschaltet, wenn das Display (B) leuchtet. (Abb. 22)
  - b) Das Gerät ist ausgeschaltet, wenn das Display aus ist.
2. Wenn die Warnanzeige im Display leuchtet oder blinkt, siehe *Anwenderschnittstelle auf Seite 80*.

## So prüfen Sie die Gashebelsperre

Durch die Gashebelsperre soll ein unbeabsichtigter Start verhindert werden. Wenn Sie die Gashebelsperre (A) nach vorne drücken, und dann die Gashebelsperre gegen den Griff (B) drücken, wird der Gashebel (C) freigegeben. Wird der Handgriff losgelassen, werden Gashebel und Gashebelsperre wieder in ihre Ausgangsstellung zurückbewegt. Diese Bewegung wird von drei unabhängigen Federn ausgeführt. (Abb. 23)

1. Stellen Sie sicher, dass der Gashebel gesperrt ist, wenn sich die Gashebelsperre in der Ausgangsstellung befindet. (Abb. 24)
2. Drücken Sie den Gashebel, und stellen Sie sicher, dass er wieder in die Ausgangsstellung zurückkehrt, wenn Sie ihn loslassen. (Abb. 25)
3. Stellen Sie sicher, dass sich der Gashebel und die Gashebelsperre frei bewegen können und dass die Rückstellfeder richtig funktioniert.

4. Starten Sie das Gerät, siehe *So starten Sie das Gerät auf Seite 78*.
5. Geben Sie Vollgas.
6. Lassen Sie den Gashebel los, und prüfen Sie, ob die Schneidausrüstung stoppt und stehen bleibt.

## So prüfen Sie den Schutz der Schneidausrüstung



**WARNUNG:** Verwenden Sie keine Schneidausrüstung ohne einen zugelassenen und ordnungsgemäß befestigten Schutz. Verwenden Sie stets den empfohlenen Schutz für die Schneidausrüstung, die Sie benutzen, siehe *Zubehör auf Seite 84*. Wenn ein falscher oder defekter Schutz montiert wird, können dadurch schwere Verletzungen verursacht werden.

Der Schutz der Schneidausrüstung stoppt Objekte, die in die Richtung des Bedieners geschleudert werden. Er verhindert außerdem Verletzungen, wenn Sie mit der Schneidausrüstung in Kontakt kommen.

1. Stoppen Sie das Gerät und entfernen Sie den Akku.
2. Führen Sie eine Sichtkontrolle auf Beschädigungen (z. B. Risse) durch. (Abb. 26)
3. Ersetzen Sie den Schutz für die Schneidausrüstung, wenn er beschädigt ist.

## Trimmerkopf

- Verwenden Sie immer den passenden Trimmerkopf, die korrekte Schneidausrüstung und den empfohlenen Trimmerfaden. Siehe *Zubehör auf Seite 84* und den Teil zur Montage am Ende der Betriebsanleitung.
- Achten Sie darauf, dass das Messer am Trimmerschutz nicht beschädigt ist.
- Achten Sie darauf, dass der Trimmerfaden fest und gleichmäßig auf die Rolle gewickelt wird, um ungewöhnliche Vibrationen des Geräts zu vermeiden. Verschiedene Fadenlängen können zu unnötigen Vibrationen führen. Rollen Sie den Trimmerkopf ab, bis die richtige Fadenlänge erreicht ist.

Die Lebensdauer des Fadens lässt sich verlängern, indem man ihn vor der Montage zwei Tage lang in Wasser legt. Dadurch wird der Faden resistenter.

## Sicherheitshinweise für die Montage



**WARNUNG:** Lesen, verstehen und befolgen Sie die Anweisungen sorgfältig, bevor Sie das Gerät verwenden.

- Entfernen Sie den Akku aus dem Gerät, bevor Sie es montieren.
- Tragen Sie zugelassene Schutzhandschuhe.
- Eine Schutzvorrichtung, die beschädigt ist oder nicht einwandfrei funktioniert kann Verletzungen verursachen. Verwenden Sie keine Schneidausrüstung, an der kein zugelassener Schutz befestigt ist.
- Stellen Sie sicher, dass Sie die Abdeckung und das Führungsrohr korrekt montieren, bevor Sie das Gerät starten.
- Das Mitneherrad und der Stützflansch müssen korrekt im Mittelloch der Schneidausrüstung einrasten. Eine Schneidausrüstung, die nicht korrekt angebracht wurde, kann zu Verletzungen oder zum Tod führen.
- Wenn ein Tragegurt mit dem Anbaugerät mitgeliefert wird, muss der Tragegurt korrekt am Gerät angebracht werden. Der Tragegurt sorgt für einen sicheren Betrieb und verhindert Verletzungen beim Bediener oder anderen Personen.

## Sicherheitshinweise für die Wartung



**WARNUNG:** Lesen Sie die folgenden Warnhinweise, bevor Sie das Gerät warten.

- Entfernen Sie vor Wartungs-, Kontroll- oder Montagearbeiten den Akku.
- Der Bediener darf nur die Wartungs- und Servicearbeiten ausführen, die in dieser Bedienungsanleitung beschrieben sind. Für darüber hinausgehende Wartungs- und Servicearbeiten wenden Sie sich bitte an Ihren Servicehändler.
- Reinigen Sie weder den Akku noch das Ladegerät mit Wasser. Starke Reiniger können den Kunststoff beschädigen.
- Wenn Wartungsarbeiten nicht durchgeführt werden, verringert sich die Lebensdauer des Geräts und die Unfallgefahr steigt.
- Für alle Service- und Reparaturarbeiten, insbesondere an den Sicherheitsvorrichtungen des Geräts, ist eine spezielle Schulung erforderlich. Wenn nach Durchführung der Wartungsarbeiten nicht alle in dieser Bedienungsanleitung beschriebenen Prüfungen mit positivem Ergebnis ausfallen, wenden Sie sich an Ihren Servicehändler. Wir garantieren Ihnen, dass für Ihr Gerät professionelle Service- und Reparaturdienste verfügbar sind.
- Verwenden Sie nur Original-Ersatzteile.
- Tragen Sie bei der Reparatur der Schneidausrüstung immer schwere Arbeitshandschuhe. Die Klingen sind extrem scharf und können leicht Verletzungen hervorrufen.

---

# Montage

---

## So montieren Sie den Loophandgriff

1. Befestigen Sie den Loophandgriff auf dem Führungsrohr zwischen den Pfeilen. Bringen Sie den Loophandgriff oder die Aufhängöse nicht auf dem Etikett an. (Abb. 27)
2. Schieben Sie den Abstandhalter in die Führung des Loophandgriffs.
3. Bringen Sie die Mutter, den Drehknopf und die Schraube an. Achten Sie darauf, diese nicht zu fest anzuziehen.
4. Bringen Sie das Gerät in eine bequeme Position.
5. Ziehen Sie die Schraube fest.

## So montieren Sie die Schneidausrüstung

Die Schneidausrüstung umfasst eine Schneidvorrichtung und einen Schutz für die Schneidausrüstung.



**WARNUNG:** Tragen Sie stets Schutzhandschuhe.



**WARNUNG:** Verwenden Sie immer den Schutz, der für die Schneidausrüstung empfohlen wird. Siehe *Technische Angaben auf Seite 82*.



**WARNUNG:** Eine nicht korrekt montierte Schneidausrüstung kann zu Verletzungen oder zum Tod führen.

## So installieren Sie den Schutz für die Schneidausrüstung

1. Bringen Sie den Schutz für die Schneidausrüstung (A) am Haken des Blechhalters (B) an. (Abb. 28)
2. Bringen Sie den Schutz für die Schneidausrüstung an der Welle an und ziehen Sie ihn mit der Schraube (C) fest.

## So entfernen Sie den Schutz für die Schneidausrüstung

- Lösen Sie die Schraube (C) und entfernen Sie den Schutz für die Schneidausrüstung (A) von der Welle. (Abb. 29)

## Montage der Trimmerköpfe



**WARNUNG:** Bei der Montage der Schneidausrüstung ist es äußerst wichtig, dass die Führung des Mitnehmerrads/ Stützflansches korrekt im Mittelloch der Schneidausrüstung sitzt. Wird die Schneidausrüstung nicht ordnungsgemäß montiert, kann dies zu schweren und/oder tödlichen Verletzungen führen.



**WARNUNG:** Unter keinen Umständen darf eine Schneidausrüstung ohne einen zugelassenen Schutz betrieben werden. Siehe *Zubehör auf Seite 84*. Wenn ein falscher oder defekter Schutz montiert wird, können dadurch schwere Verletzungen verursacht werden.

## So montieren Sie den Trimmerkopf

1. Montieren Sie das Mitnehmerrad (B) an der Abtriebswelle.
2. Drehen Sie die Abtriebswelle, bis sich eines der Löcher des Mitnehmerrads mit dem entsprechenden Loch im Getriebegehäuse deckt.
3. Stecken Sie den Sperrstift (C) in das Loch, so dass die Achse fixiert ist.
4. Drehen Sie den Trimmerkopf (H) zum Befestigen gegen den Uhrzeigersinn. (Abb. 30)

## So entfernen Sie den Trimmerkopf

1. Stecken Sie den Sperrstift (C) in das Loch, so dass die Achse fixiert ist.
2. Drehen Sie den Trimmerkopf (H) zum Entfernen im Uhrzeigersinn.
3. Entfernen Sie das Mitnehmerrad (B) von der Abtriebswelle. (Abb. 30)

## Einleitung



**WARNUNG:** Lesen Sie vor Gebrauch des Geräts das Kapitel über Sicherheit, und machen Sie sich damit vertraut.

## So schließen Sie den Akku an das Gerät an



**WARNUNG:** Verwenden Sie mit dem Gerät nur originale Husqvarna-Akkus.

1. Stellen Sie sicher, dass der Akku vollständig geladen ist.
2. Drücken Sie den Akku in das Akkufach des Geräts. Der Akku rastet einem hörbaren Klickgeräusch in der richtigen Position ein. (Abb. 31)



**ACHTUNG:** Wenn sich der Akku nicht leicht in das Akkufach bewegt, ist der Akku nicht richtig eingesetzt. Dadurch kann das Gerät beschädigt werden.

3. Stellen Sie sicher, dass der Akku richtig eingesetzt ist.

## Arbeitsstellung

- Halten Sie das Gerät mit beiden Händen.
- Halten Sie das Gerät auf der rechten Seite des Körpers.
- Die Schneidausrüstung muss sich unterhalb der Taille befinden.
- Halten Sie sich von den heißen Flächen fern.
- Halten Sie sich von der Schneidausrüstung fern.

## Bevor Sie das Gerät in Betrieb nehmen

- Untersuchen Sie den Arbeitsbereich, um sicherzustellen, dass Sie die Art des Geländes, die Neigung des Bodens und mögliche Hindernisse wie Steine, Äste und Gräben kennen.
- Führen Sie eine Überholung des Geräts durch.
- Führen Sie Sicherheitskontrollen, Wartungen und Servicemaßnahmen durch, die in dieser Betriebsanleitung beschrieben sind.
- Stellen Sie sicher, dass alle Abdeckungen, Schutzvorrichtungen, Griffe und die Schneidausrüstung richtig montiert und nicht beschädigt sind.
- Überprüfen Sie den Stützflansch auf Risse. Ersetzen Sie den Stützflansch bei Beschädigung.

(Abb. 32)

- Überprüfen Sie den Trimmerkopf und die Schutzvorrichtung für die Schneidausrüstung auf Beschädigungen oder Risse. Ersetzen Sie den Trimmerkopf und die Schutzvorrichtung für die Schneidausrüstung bei Beschädigungen oder Rissen.

(Abb. 33)

## So starten Sie das Gerät

1. Halten Sie die Starttaste gedrückt, bis die grüne LED aufleuchtet. (Abb. 34)
2. Verwenden Sie den Gashebel zur Steuerung der Drehzahl.

## So beschränken Sie die maximale Geschwindigkeit mit der Modustaste

Das Gerät verfügt über eine Modustaste. Mit der Modustaste kann der Anwender die maximale Geschwindigkeit begrenzen. Die Modustaste weist drei Geschwindigkeitsstufen auf. Niedrigere Stufen erhöhen die Betriebszeit des Geräts. Verwenden Sie die Stufen 1 und 2, wenn die Arbeit nicht die volle Geschwindigkeit/volle Leistung erfordert. Wenn die Betriebsbedingungen volle Geschwindigkeit/volle Leistung erfordern, verwenden Sie Stufe 3. Verwenden Sie keine höhere Stufe als für den Betrieb erforderlich.

1. Drücken Sie die Modustaste, um die maximale Geschwindigkeit zu beschränken. Die weißen LEDs leuchten auf, wenn die Funktion aktiviert ist. (Abb. 35)
2. Drücken Sie die Modustaste erneut, um die nächste Geschwindigkeitsstufe zu wählen.

## Automatische Abschaltfunktion

Das Gerät verfügt über eine Abschaltfunktion, die das Gerät deaktiviert, wenn es nicht verwendet wird.

## Grastrimmen mit Trimmerkopf

### So trimmen Sie Gras

1. Halten Sie den Trimmerkopf nah über dem Boden und neigen Sie ihn dabei etwas. (Abb. 36) Drücken Sie den Rasentrimmer nicht in das Gras.
2. Arbeiten Sie mit 80 % der Geschwindigkeit, wenn Sie Gras in der Nähe von Objekten schneiden. (Abb. 37)

### So schneiden Sie das Gras

1. Stellen Sie sicher, dass der Rasentrimmerfaden beim Schneiden parallel zum Boden läuft. (Abb. 38)
2. Drücken Sie den Trimmerkopf nicht auf den Boden. Der Boden und das Gerät könnten dadurch beschädigt werden.

3. Der Trimmerkopf sollte nicht durchgängig den Boden berühren, da sonst der Trimmerkopf beschädigt werden kann.
4. Arbeiten Sie mit voller Geschwindigkeit, wenn Sie das Gerät beim Mähen von einer Seite zur anderen bewegen. (Abb. 39) Stellen Sie sicher, dass der Rasentrimmerfaden beim Schneiden parallel zum Boden läuft.



**WARNUNG:** Reinigen Sie die Trimmerkopfabdeckung jedes Mal, wenn Sie ein neues Trimmerkabel zusammenbauen, um Unwucht und Vibrationen in den Griffen zu vermeiden. Sie sollten auch die anderen Teile des Trimmerkopfs überprüfen und bei Bedarf reinigen.

### So blasen Sie Gras fort

Der Luftstrom aus dem rotierenden Trimmerkabel kann verwendet werden, um Gras aus einem Bereich zu entfernen.

1. Halten Sie den Trimmerkopf und sein Kabel parallel zum und über dem Boden.
2. Geben Sie Vollgas.
3. Bewegen Sie den Trimmerkopf von einer Seite zur anderen, und blasen Sie das Gras fort.

### So stoppen Sie das Gerät

1. Lassen Sie den Gashebel oder die Gashebelsperre los.
2. Drücken Sie die Stopptaste. (Abb. 34)
3. Drücken Sie die Entriegelungstasten an dem Akku, und ziehen Sie den Akku heraus. (Abb. 40)

## Wartung

### Einleitung



**WARNUNG:** Vor der Durchführung von Wartungsarbeiten müssen Sie die Sicherheitsinformationen lesen und verstehen.

### Wartungsplan



**WARNUNG:** Entfernen Sie den Akku, bevor Sie Wartungsarbeiten durchführen.

Nachstehend sind die am Gerät vorzunehmenden Wartungsmaßnahmen aufgelistet.

Instand halten	Täglich	Wöchent- lich	Monatlich
Die äußeren Teile des Geräts mit einem sauberen und trockenen Tuch reinigen. Kein Wasser verwenden.	X		
Sicherstellen, dass die Start-/Stopptaste funktionstüchtig und unbeschädigt ist.	X		
Sicherstellen, dass der Gashebel und die Gashebelsperre sicherheitstechnisch ordnungsgemäß funktionieren.	X		
Sicherstellen, dass alle Bedienelemente funktionieren und unbeschädigt sind.	X		
Die Griffe trocken, sauber und frei von Öl und Schmierfett halten.	X		
Sicherstellen, dass die Schneidausrüstung unbeschädigt ist. Die Schneidausrüstung bei Beschädigung ersetzen.	X		
Sicherstellen, dass der Schutz für die Schneidausrüstung oder das Messer unbeschädigt ist. Den Schutz für die Schneidausrüstung oder das Messer bei Beschädigung ersetzen.	X		
Sicherstellen, dass alle Schrauben und Muttern fest angezogen sind.	X		
Sicherstellen, dass die Entriegelungstasten am Akku funktionieren und der Akku in das Gerät einrastet.	X		
Sicherstellen, dass der Akku unbeschädigt ist.	X		
Sicherstellen, dass der Akku vollständig geladen ist.	X		

Instand halten	Taglich	Wochent-lich	Monatlich
Sicherstellen, dass das Akkuladegerat unbeschadigt ist und ordnungsgema funktioniert.	X		
Alle Kabel, Kupplungen und Anschlusse kontrollieren. Sicherstellen, dass sie unbeschadigt und schmutzfrei sind.		X	
Stellen Sie sicher, dass das Winkelgetriebe korrekt mit Schmierfett gefullt ist, siehe <i>So schmieren Sie das Winkelgetriebe auf Seite 80</i> . Falls dies nicht der Fall ist, Husqvarna Schmierfett fur Winkelgetriebe verwenden.		X	
Die Verbindungen zwischen dem Akku und dem Gerat prufen. Die Verbindung zwischen dem Akku und dem Akkuladegerat prufen.			X

## So reinigen Sie das Gerat, den Akku und das Ladegerat

1. Reinigen Sie das Gerat nach jedem Gebrauch mit einem trockenen Tuch.
2. Reinigen Sie Akku und Ladegerat mit einem trockenen Tuch. Die Akkufuhrungsschienen sauber halten.
3. Stellen Sie sicher, dass die Klemmen an Akku und Ladegerat sauber sind, bevor der Akku in das Ladegerat oder das Gerat gesteckt wird.

## So schmieren Sie das Winkelgetriebe

1. Entfernen Sie die Schneidausrustung.
2. Positionieren Sie das Gerat so, dass der Schmiernippel so hoch wie moglich gelegen ist.

3. Ziehen Sie den Schmiernippel ab. (Abb. 41)
4. Sehen Sie in die Schmiernippel-offnung hinein, und drehen Sie die Antriebswelle. Der Schmierfettstand (A) muss sich auf Hohe der Zahnoberseite (B) befinden. (Abb. 42)
5. Wenn der Schmierfettstand zu niedrig ist, fullen Sie das Winkelgetriebe mit Husqvarna Schmierfett fur Winkelgetriebe. Fullen Sie es langsam ein, und drehen Sie die Antriebswelle dabei. Stoppen Sie beim korrekten Fullstand (B).



**ACHTUNG:** Eine falsche Menge Schmierfett kann zu Beschadigungen am Winkelgetriebe fuhren.

6. Bringen Sie den Schmiernippel an.

## Fehlerbehebung

### Anwenderschnittstelle

Problem	Mogliche Fehler	Mogliche Fehlerbehebung
Die Akku-LED-Anzeige blinkt orange	Zu geringe Akkuspannung.	Batterie aufladen.
Die Fehler-LED blinkt rot	Uberlastung.	Die Schneidausrustung ist verklemmt. Stoppen Sie das Gerat. Entfernen Sie die Batterie. Reinigen Sie die Schneidausrustung von unerwunschten Materialien.
	Temperaturabweichung.	Das Gerat abkuhlen lassen.
	Der Gashebel und die Starttaste werden gleichzeitig gedruckt.	Wenn Sie den Gashebel loslassen, startet das Gerat.
Das Gerat springt nicht an	Schmutz in den Akkusteckern.	Reinigen Sie die Akkustecker mit Druckluft oder einer weichen Burste.
Storungs-LED leuchtet rot.	Es sind Servicearbeiten erforderlich.	Die Servicewerkstatt kontaktieren.



---

# Transport, Lagerung und Entsorgung

---

## Transport und Lagerung

- Die mitgelieferten Lithium-Ionen-Akkus entsprechen den Anforderungen des Gefahrgutrechts.
- Beachten Sie für den gewerblichen Transport, auch durch Dritte oder Speditionen, die gesonderten Anforderungen auf Verpackung und Etiketten.
- Sprechen Sie sich, bevor Sie das Gerät versenden, mit einer Person ab, die speziell im Gefahrgutversand geschult ist. Beachten Sie sämtliche geltende nationale Vorschriften.
- Bedecken Sie offene Kontakte mit Klebeband, wenn Sie den Akku in eine Verpackung legen. Stellen Sie sicher, dass der Akku in der Verpackung nicht verrutschen kann.
- Entnehmen Sie den Akku für die Lagerung oder den Transport.
- Bringen Sie den Akku und das Ladegerät an einem Ort unter, der trocken und frei von Feuchtigkeit und Frost ist.
- Lagern Sie den Akku nicht an einem Ort, an dem es zu elektrostatischen Entladungen kommen kann. Bewahren Sie den Akku nicht in einem Metallkasten auf.
- Stellen Sie bei der Lagerung des Akkus sicher, dass die Temperatur zwischen 5 °C/41 °F und 25 °C/77 °F liegt und der Akku keinem direkten Sonnenlicht ausgesetzt ist.
- Stellen Sie bei der Lagerung des Akkuladegeräts sicher, dass die Temperatur zwischen 5 °C/41 °F und 45 °C/113 °F liegt und das Ladegerät keinem direkten Sonnenlicht ausgesetzt ist.
- Das Ladegerät darf nur verwendet werden, wenn die Umgebungstemperatur zwischen 5 °C/41 °F und 40 °C/104 °F liegt.
- Laden Sie den Akku auf 30 bis 50 %, bevor Sie ihn über längere Zeit einlagern.
- Lagern Sie das Akkuladegerät in einem geschlossenen und trockenen Raum.
- Achten Sie bei der Lagerung darauf, dass sich der Akku nicht in unmittelbarer Nähe zum Ladegerät befindet. Kinder und andere nicht befugte Personen dürfen die Ausstattung nicht berühren. Verwahren Sie die Ausstattung in einem abschließbaren Raum.
- Reinigen Sie das Gerät und führen Sie umfassende Servicearbeiten durch, bevor Sie es längere Zeit einlagern.
- Verwenden Sie für das Gerät einen Transportschutz, um Verletzungen oder Schäden am Gerät bei Transport und Lagerung zu vermeiden.
- Befestigen Sie das Gerät während des Transports sicher.

## Entsorgung von Akku, Ladegerät und Gerät

Symbole auf dem Gerät oder seiner Verpackung zeigen an, dass dieses Gerät kein Hausmüll ist. Recyceln Sie es an einer Recyclingstation für elektrische und elektronische Geräte. So werden Umwelt- und Personenschäden vermieden.

Wenden Sie sich für weitere Informationen zum Recycling Ihres Geräts an Ihre örtlichen Behörden, Abfallentsorgungsunternehmen oder Ihren Händler.

## Entsorgen von Elektro- und Elektronik-Altgeräten

Gilt nur für Deutschland



Die durchgestrichene Abfalltonne weist darauf hin, dass Sie gesetzlich verpflichtet sind, dieses Gerät getrennt vom unsortierten Siedlungsabfall zu entsorgen. Die Entsorgung im Restmüll oder im gelben Sack ist verboten. Wenn das Produkt Einwegbatterien oder Akkus enthält, die nicht dauerhaft installiert sind, müssen diese vor der Entsorgung des Produkts entfernt und separat als Batterien bzw. Akkus entsorgt werden.

### Entfernen von Batterien, Akkus und Leuchtmitteln:

Batterien, Akkus oder Leuchtmittel, die aus dem Produkt entfernt werden können, ohne es zu beschädigen, müssen vor der Entsorgung entfernt und separat als Batterien, Akkus oder Leuchtmittel entsorgt werden. Die folgenden Batterien oder Akkus sind in diesem Produkt enthalten:

- **Akkutyp:** Li-ion
- **Chemie:** Lithium

### Informationen zur Rückgabe von Elektro- und Elektronik-Altgeräten für Privathaushalte:

Wie im Folgenden näher beschrieben, sind bestimmte Vertrieber verpflichtet, Elektro- und Elektronik-Altgeräte kostenlos zurückzunehmen.

Vertrieber von Elektro- und Elektronikgeräten mit einer Verkaufsfläche von mindestens 400 m<sup>2</sup> und Lebensmittelhändler mit einer Gesamtverkaufsfläche von mindestens 800 m<sup>2</sup>, die mehrmals im Kalenderjahr oder beständig Elektro- und Elektronikgeräte abgeben und verkaufen, sind unter den folgenden Umständen zur Rücknahme von Geräten verpflichtet:

1. Beim Verkauf eines neuen Elektro- oder Elektronikgeräts muss der Vertrieber ein Altgerät desselben Gerätetyps kostenlos zurücknehmen, das im Wesentlichen die gleichen Funktionen wie

das neue Gerät bereitstellt. Dies muss an dem Standort, an dem das Gerät abgegeben wird, oder in unmittelbarer Nähe geschehen. Privathaushalte gelten auch als der Ort, an dem das Gerät abgegeben wird, sofern das Produkt dorthin geliefert wird: In diesem Fall werden Altgeräte ohne Kosten für den Endbenutzer abgeholt.

- Der Vertreter muss Altgeräte mit einem Durchmesser von weniger als 25 cm auf Wunsch des Endbenutzers an der Verkaufsstelle oder in unmittelbarer Nähe zurücknehmen. Diese Rückgabe muss nicht mit dem Kauf von Elektro- oder Elektronikgeräten in Verbindung stehen und ist auf drei Altgeräte pro Gerätetyp beschränkt.

Bei Abschluss des Kaufvertrags für ein neues Elektro- oder Elektronikgerät muss der Vertreter den Endbenutzer über sein Recht informieren, das Altgerät zurückzugeben oder kostenlos abholen zu lassen, und den Endbenutzer fragen, ob er beabsichtigt, ein Altgerät bei der Lieferung des neuen Geräts zurückzugeben.

Dies gilt auch für den Vertrieb über Telekommunikation, wenn die Lager- und Versandfläche für Elektro- und Elektronikgeräte mindestens 400 m<sup>2</sup> beträgt oder wenn die gesamte Lager- und Versandfläche mindestens 800 m<sup>2</sup> beträgt, wobei die kostenlose Abholung von Elektro- oder Elektronikgeräten auf die folgenden Kategorien beschränkt ist:

- 1 (Wärmeüberträger)
- 2 (Geräte mit Displays) und

- 4 (große Geräte mit mindestens einer äußeren Abmessung von mehr als 50 cm)

Für alle anderen Elektro- und Elektronikgeräte muss der Vertreter entsprechende Rücknahmestellen in angemessener Nähe zum Endverbraucher sicherstellen. Dies gilt auch für Altgeräte, bei denen keine äußere Abmessung 25 cm überschreitet, die der Endbenutzer zurückgeben möchte, ohne ein neues Gerät zu erwerben.

#### Datenschutz

Alle Endbenutzer von Elektro- und Elektronik-Altgeräten sind dafür verantwortlich, alle personenbezogenen Daten von den zu entsorgenden Elektro- und Elektronik-Altgeräten zu löschen.

#### WEEE-Registrierungsnummer

Husqvarna 10168717

#### Sammlungs- und Verwertungsraten

Gemäß der WEEE-Richtlinie sind die EU-Mitgliedstaaten verpflichtet, Daten über Elektro- und Elektronik-Altgeräte zu sammeln und diese Daten an die Europäische Kommission zu übermitteln. Weitere Informationen hierzu finden Sie auf der BMUV-Website: <https://www.bmu.de/themen/wasser-ressourcen-abfall/kreislaufwirtschaft/statistiken/elektro-und-elektronikaltgeraete>

---

## Technische Angaben

---

### Technische Daten

	<b>325iL</b>
<b>Motor</b>	
Motortyp	BLDC (bürstenlos) 36 V
Drehzahl der Abtriebswelle, 1/min	5800
Schnittbreite, mm	420
<b>Gewicht</b>	
Gewicht, ohne Akku und Schneidausrüstung, kg	3,0
<b>Geräuschemissionen</b> <sup>13</sup>	
Schalleistungspegel, gemessen dB (A)	93

<sup>13</sup> Umweltbelastende Geräuschemissionen, gemessen als Schalleistung (LWA) gemäß EG-Richtlinie 2000/14/EG. Der aufgezeichnete Schalleistungspegel für das Gerät wurde unter Verwendung der originalen Schneidausrüstung mit dem höchsten Pegel gemessen. Der Unterschied zwischen garantiertem und gemessenem Schalleistungspegel besteht darin, dass beim garantierten Schalleistungspegel auch eine Streuung im Messergebnis und Variationen zwischen verschiedenen Geräten desselben Modells gemäß der Richtlinie 2000/14/EG berücksichtigt werden.

	<b>325iL</b>
Schalleistungspegel, garantiert $L_{WA}dB$ (A)	96
<b>Geräuschpegel</b> <sup>14</sup>	
Äquivalenter Schalldruckwert am Ohr des Bedieners, gemessen gemäß ISO 22868, dB (A):	
Ausgestattet mit Trimmerkopf (Original)	84
<b>Vibrationspegel</b> <sup>15</sup>	
Vibrationspegel an den Griffen, gemessen nach ISO 22867, $m/s^2$	
Ausgestattet mit Trimmerkopf (Original), vorn/hinten, $m/s^2$	4,3/2,9

## Zugelassene Akkus

<b>Akku</b>	<b>BLI 200</b>
Typ	Lithium-Ionen
Akkukapazität, Ah	5,2
Akkuspannung, V	36
Gewicht, kg (lb)	1,3 (2,9)

## Zugelassene Ladegeräte

<b>Akkuladegerät</b>	<b>QC330</b>
Eingangsspannung, V	100-240
Frequenz, Hz	50-60
Leistung, W	330

<sup>14</sup> Berichten zufolge liegt der Schalldruckpegel für dieses Gerät normalerweise bei einer Ausbreitungsklasse (Standardabweichung) von 3 dB (A) und wurde mit dem Original-Anbaugerät, das den höchsten Pegel ergibt, geprüft.

<sup>15</sup> Berichten zufolge liegt der Vibrationspegel normalerweise bei einer Ausbreitungsklasse (Standardabweichung) von 2  $m/s^2$ . Verwenden Sie zum Vergleich von Vibrationspegeln, Akku- und Verbrennungsgeräten den Vibrationsrechner: <https://www.husqvarna.com/de/serviceangebote/vibrationswert-rechner/>.

---

## Zubehör

---

### Zubehör

Zugelassenes Zubehör	Art des Zubehörs	Schutz für die Schneidausrüstung, Teile-Nr.
Mittelloch in Klängen/Messern, Ø 25,4 mm		
Gewinde Klängenachse M10		
Trimmerkopf	T35 (Whisper Twist-Trimmerfäden, max. Ø 2,4 mm)	597 01 62-02

# Konformitätserklärung

## EU-Konformitätserklärung

Die **Husqvarna AB**, SE-561 82 Huskvarna, Schweden,  
Tel.: +46-36-146500, erklärt in alleiniger Verantwortung,  
dass das Gerät:

<b>Beschreibung</b>	Akkubetriebener Rasentrimmer
<b>Marke</b>	Husqvarna
<b>Typ/Modell</b>	325iL
<b>Identifizierung</b>	Seriennummern ab 2023

die folgenden EU-Richtlinien und -Verordnungen erfüllt:

<b>Richtlinie/Verordnung</b>	<b>Beschreibung</b>
2006/42/EG	„Maschinenrichtlinie“
2014/30/EMC	„bezüglich EMV-Richtlinie“
2011/65/EU	„zur Beschränkung der Verwendung bestimmter gefährlicher Stoffe“
2000/14/EG	„bezüglich Richtlinie über umweltbelastende Geräuschemissionen“

und dass die folgenden Normen und/oder technischen  
Daten angewendet werden: EN 62841-1:2015/  
AC:2015, EN 62841-4-4 (IEC 62841-4-4:2020),  
EN 61000-6-1:2007 (Immunity), EN 61000-6-3:2007/  
A1:2011/AC:2012 (Emission).



RISE SMP Svensk Maskinprovning AB, Box 4053,  
SE-904 03 Umeå, Sweden hat eine freiwillige  
Typenprüfung gemäß Anhang IX der Richtlinie  
2006/42/EG durchlaufen. Zertifikatnr.: SEC/23/2579.

Notified body: 0404, RISE SMP Svensk Maskinprovning  
AB, Box 4053, SE-904 03 Umeå, Sweden hat auch  
die Übereinstimmung mit Anhang VI der Richtlinie  
2000/14/EG des Rates bestätigt.

Informationen zu Geräuschemissionen finden Sie unter  
*Technische Angaben auf Seite 82.*

Huskvarna, 2022-12-01

Stefan Holmberg, R&D Director, Technology  
Management, Husqvarna AB

Verantwortlich für die technische Dokumentation

## Περιεχόμενα

Εισαγωγή.....	86	Μεταφορά, αποθήκευση και απόρριψη.....	99
Ασφάλεια.....	87	Τεχνικά στοιχεία.....	100
Συναρμολόγηση.....	95	Αξεσουάρ.....	101
Λειτουργία.....	96	Δήλωση Συμμόρφωσης.....	102
Συντήρηση.....	97	Ανεχα.....	447
Αντιμετώπιση προβλημάτων.....	98		

## Εισαγωγή

### Περιγραφή προϊόντος

Το Husqvarna 325iL είναι ένα χορτοκοπτικό με μπαταρία και ηλεκτροκινητήρα.

Εργαζόμαστε συνεχώς για απολαμβάνετε μεγαλύτερη ασφάλεια και υψηλότερη απόδοση κατά τη διάρκεια της εργασίας. Απευθυνθείτε στον αντιπρόσωπο σέρβις για περισσότερες πληροφορίες.

### Προβλεπόμενη χρήση

Να χρησιμοποιείτε το προϊόν με μια κεφαλή χορτοκοπτικού για την κοπή διαφορετικών τύπων

### Επισκόπηση προϊόντος

(Εικ. 1)

1. Εγχειρίδιο χρήσης
2. Κωνικό γρανάζι
3. Οπή για τον πείρο ασφάλισης
4. Κεφαλή χορτοκοπτικού
5. Προστατευτικό εξαρτήματος κοπής
6. Δίσκος μετάδοσης
7. Γερμανοπολύγωνο κλειδί
8. Χειρολαβή τύπου βρόχου
9. Χειρόβιδα
10. Αξονας
11. Ασφαλιστικός πείρος
12. Προειδοποιητική ένδειξη LED
13. Κουμπί εκκίνησης/διακοπής λειτουργίας
14. Κουμπί τρόπου λειτουργίας για ρύθμιση της ταχύτητας
15. Ασφάλεια σκανδάλης γκαζιού
16. Στοιχεία αλληλεπίδρασης με το χρήστη
17. Σκανδάλη γκαζιού
18. Καλώδιο φορτιστή μπαταρίας
19. Φορτιστής μπαταρίας
20. Λυχνία LED λειτουργίας και προειδοποίησης
21. Κουμπιά απελευθέρωσης μπαταρίας
22. Μπαταρία
23. Ενδεικτική λυχνία LED για την κατάσταση φόρτισης
24. Λυχνία LED προειδοποίησης
25. Κουμπί ένδειξης μπαταρίας

βλάβισης. Μην χρησιμοποιείτε το προϊόν για άλλες εργασίες εκτός από την κοπή και τον καθαρισμό χόρτων.

**Περιεχόμενα** Η χρήση μπορεί να ρυθμίζεται από εθνικούς ή τοπικούς κανονισμούς. Οι εκάστοτε κανονισμοί πρέπει να τηρούνται.

Χρησιμοποιείτε το προϊόν μόνο με τα παρελκόμενα που έχουν εγκριθεί από τον κατασκευαστή. Ανατρέξτε στην ενότητα *Αξεσουάρ στη σελίδα 101*.

### Σύμβολα στο προϊόν

(Εικ. 2) **ΠΡΟΕΙΔΟΠΟΙΗΣΗ!** Αυτό το προϊόν μπορεί να είναι επικίνδυνο! Η απρόσεκτη ή λανθασμένη χρήση μπορεί να προκαλέσει σοβαρό ή ακόμη και θανατηφόρο τραυματισμό του χειριστή ή άλλων ατόμων. Είναι ιδιαίτερα σημαντικό να διαβάσετε και να κατανοήσετε το περιεχόμενο του εγχειριδίου χρήσης. Διαβάστε το εγχειρίδιο χρήσης προσεκτικά και βεβαιωθείτε ότι έχετε κατανοήσει τις οδηγίες προτού χρησιμοποιήσετε το προϊόν.

(Εικ. 3) Χρησιμοποιείτε εγκεκριμένη προστασία ακοής. Χρησιμοποιείτε εγκεκριμένη προστασία ματιών.

(Εικ. 4) Μέγιστη ταχύτητα ή ταχύτητα χωρίς φορτίο.

XXXX /λεπτό  
ή min<sup>-1</sup> | Τροφές ή παλινδρομήσεις ανά λεπτό.

(Εικ. 5) Ονομαστική τάση, V

(Εικ. 6) Συνεχές ρεύμα.

- (Εικ. 7) Το προϊόν συμμορφώνεται με τις ισχύουσες οδηγίες ΕΚ. μπορεί να αναπηδήσουν προς τα πίσω. Αυτό μπορεί να έχει ως αποτέλεσμα σοβαρό τραυματισμό των ματιών, αν δεν χρησιμοποιηθεί ο συνιστώμενος εξοπλισμός ασφαλείας.
- (Εικ. 8) Αυτό το προϊόν συμμορφώνεται με τις ισχύουσες οδηγίες του Η.Β.
- (Εικ. 9) Χρησιμοποιείτε εγκεκριμένα προστατευτικά γάντια. (Εικ. 14) Αποσυνδέστε την μπαταρία πριν από τη συντήρηση.
- (Εικ. 10) Χρησιμοποιήστε αντιολισθητικές μπότες βαρέος τύπου. (Εικ. 15) Το προϊόν διαθέτει προστασία από εκπιασόμενο νερό.
- (Εικ. 11) Χρησιμοποιείτε μόνο μη μεταλλικά εύκαμπτα εξαρτήματα κοπή. (Εικ. 16) Διατηρείτε όλα τα μέρη του σώματος σας μακριά από τις καυτές επιφάνειες.
- (Εικ. 12) Τα σύμβολα που βρίσκονται επάνω στο προϊόν ή στη συσκευασία του υποδεικνύουν ότι δεν είναι δυνατός ο χειρισμός του παρόντος προϊόντος ως οικιακού απόβλητου. Αυτό το προϊόν πρέπει να απορρίπτεται σε κατάλληλη εγκατάσταση ανακύκλωσης. (Εικ. 17) Ετικέτα εκπομπών θορύβου στο περιβάλλον σύμφωνα με οδηγίες και κανονισμούς της ΕΕ και του Η.Β. και τη νομοθεσία της Νότιας Νέας Ουαλίας "Κανονισμός για την προστασία των περιβαλλοντικών δράσεων (έλεγχος θορύβου) του 2017". Η εγγυημένη στάθμη θορύβου του προϊόντος καθορίζεται στην ενότητα *Τεχνικά στοιχεία στη σελίδα 100*.
- (Εικ. 13) Το εξάρτημα μπορεί να εκσφενδονίσει αντικείμενα με μεγάλη δύναμη, τα οποία

yyyywwxxxx

Η πινακίδα στοιχείων δείχνει τον αριθμό σειράς. Το **yyyy** είναι το έτος παραγωγής, το **ww** είναι η εβδομάδα παραγωγής και το **xxxx** είναι ο αλληλοδιάδοχος αριθμός.

Ο χειριστής πρέπει να διασφαλίσει ότι δεν θα προσεγγίσουν το μηχάνημα πρόσωπα ή ζώα σε απόσταση μικρότερη των 15 μέτρων. Όταν εργάζονται πολλοί χειριστές εντός του ίδιου χώρου, πρέπει να τηρούν μια απόσταση ασφαλείας τουλάχιστον 15 μέτρων μεταξύ τους.

(Εικ. 18)

**Περιεχόμενα** Άλλα σύμβολα/σήματα που υπάρχουν στο προϊόν αναφέρονται σε απαιτήσεις πιστοποίησης για άλλες εμπορικές περιοχές.

## Ζημιά στο προϊόν

Δεν φέρουμε ευθύνη για ζημιές στο προϊόν μας εάν:

- Το προϊόν έχει επισκευαστεί λανθασμένα.

- Το προϊόν έχει επισκευαστεί με εξαρτήματα που δεν προέρχονται από τον κατασκευαστή ή που δεν έχουν εγκριθεί από τον κατασκευαστή.
- Το προϊόν διαθέτει ένα αξεσουάρ που δεν προέρχεται από τον κατασκευαστή ή που δεν έχει εγκριθεί από τον κατασκευαστή.
- Το προϊόν δεν έχει επισκευαστεί σε εγκεκριμένο κέντρο σέρβις ή από εγκεκριμένη αρχή.

## Ασφάλεια

### Ορισμοί για την ασφάλεια

Για την επισήμανση ειδικών σημαντικών τμημάτων του εγχειριδίου χρησιμοποιούνται προειδοποιήσεις, συστάσεις προσοχής και σημειώσεις.



**ΠΡΟΕΙΔΟΠΟΙΗΣΗ:** Χρησιμοποιείται όταν υπάρχει κίνδυνος τραυματισμού ή θανάτου του χειριστή ή άλλων παριστάμενων ατόμων, αν δεν τηρηθούν οι οδηγίες που παρέχονται στο εγχειρίδιο.



**ΠΡΟΣΟΧΗ:** Χρησιμοποιείται όταν υπάρχει κίνδυνος πρόκλησης ζημιάς στο προϊόν, σε άλλα υλικά ή στον παρακείμενο χώρο, αν δεν τηρηθούν οι οδηγίες που παρέχονται στο εγχειρίδιο.

**Περιεχόμενα** Χρησιμοποιείται για παροχή περισσότερων πληροφοριών, οι οποίες χρειάζονται σε μια δεδομένη κατάσταση.

## Γενικές προειδοποιήσεις ασφαλείας ηλεκτρικού εργαλείου



**ΠΡΟΕΙΔΟΠΟΙΗΣΗ:** Διαβάστε όλες τις προειδοποιήσεις, τις οδηγίες, τις εικόνες και τις προδιαγραφές ασφαλείας που παρέχονται με αυτό το ηλεκτρικό εργαλείο. Η μη τήρηση όλων των οδηγιών που αναφέρονται παρακάτω μπορεί να προκαλέσει ηλεκτροπληξία, πυρκαγιά ή/και σοβαρό τραυματισμό.

- Φυλάξτε τις προειδοποιήσεις και τις οδηγίες για μελλοντική αναφορά. Ο όρος "ηλεκτρικό εργαλείο" που χρησιμοποιείται στις προειδοποιήσεις αναφέρεται στο εργαλείο που τροφοδοτείται από το δικτύο ρεύματος (με καλώδιο) ή στο εργαλείο που τροφοδοτείται από μπαταρία (χωρίς καλώδιο).

### Ασφάλεια στο χώρο εργασίας

- Διατηρείτε το χώρο εργασίας καθαρό και με καλό φωτισμό. Οι ακατάστατοι ή σκοτεινοί χώροι ενέχουν τον κίνδυνο ατυχημάτων.
- Μην χειρίζεστε ηλεκτρικά εργαλεία σε κρηκτικές απόσφαιρες, π.χ. παρουσία εύφλεκτων υγρών, αερίων ή σωματιδίων σκόνης. Τα ηλεκτρικά εργαλεία δημιουργούν σπινθήρες, οι οποίοι ενδέχεται να προκαλέσουν την ανάφλεξη των σωματιδίων ή των καπνών.
- Κατά το χειρισμό ενός ηλεκτρικού εργαλείου, δεν πρέπει να βρίσκονται κοντά παιδιά ή άλλοι παρευρισκόμενοι. Ενδέχεται να αποσπάσουν την προσοχή σας, με αποτέλεσμα να χάσετε τον έλεγχο.

### Ασφάλεια με το ηλεκτρικό ρεύμα

- Το βύσμα του ηλεκτρικού εργαλείου πρέπει να ταιριάζει στην πρίζα. Μην τροποποιείτε ποτέ το βύσμα. Μην χρησιμοποιείτε προσαρμογείς με γειωμένα ηλεκτρικά εργαλεία. Η χρήση μη τροποποιημένων φις και αντίστοιχων πριζών μειώνει τον κίνδυνο ηλεκτροπληξίας.
- Αποφεύγετε την επαφή του σώματος με γειωμένες επιφάνειες, όπως σωλήνες, calorifέρ, κουζίνες και ψυγεία. Υπάρχει αυξημένος κίνδυνος ηλεκτροπληξίας, αν το σώμα σας έρθει σε επαφή με τη γείωση.
- Μην εκθέτετε ηλεκτρικά εργαλεία σε βροχή ή σε συνθήκες υγρασίας. Σε περίπτωση ειοχώρησης νερού σε ηλεκτρικό εργαλείο, αυξάνεται ο κίνδυνος ηλεκτροπληξίας.
- Μην προκαλείτε φθορά στο καλώδιο. Μην χρησιμοποιείτε ποτέ το καλώδιο για τη μεταφορά, το τράβηγμα ή την αποσύνδεση του ηλεκτρικού εργαλείου. Φυλάσσετε το καλώδιο μακριά από θερμότητα, λάδια, αιχμηρές άκρες ή κινούμενα εξαρτήματα. Εάν το καλώδιο καταστραφεί ή εμπλακεί, αυξάνεται ο κίνδυνος ηλεκτροπληξίας.
- Όταν χρησιμοποιείτε ένα ηλεκτρικό εργαλείο σε εξωτερικό χώρο, χρησιμοποιήστε ένα καλώδιο προέκτασης που είναι κατάλληλο για χρήση σε εξωτερικό χώρο. Η χρήση καλωδίων κατάλληλων για εξωτερικό χώρο μειώνει τον κίνδυνο ηλεκτροπληξίας.
- Αν η χρήση ενός ηλεκτρικού εργαλείου σε χώρο με υγρασία είναι αναπόφευκτη, χρησιμοποιήστε παροχή ρεύματος με διάταξη προστασίας από ρεύματα διαρροής (RCD). Η χρήση μιας διάταξης RCD μειώνει τον κίνδυνο ηλεκτροπληξίας.

### Προσωπική ασφάλεια

- Να είστε προσεκτικοί, να παρακολουθείτε αυτό που κάνετε και να χρησιμοποιείτε την κοινή λογική όταν χρησιμοποιείτε ένα ηλεκτρικό εργαλείο. Μην χρησιμοποιείτε ηλεκτρικά εργαλεία όταν είστε κουρασμένοι ή υπό την επίρροη ναρκωτικών, αλκοόλ ή φαρμάκων. Μια στιγμή απροσεξίας, κατά το χειρισμό ηλεκτρικών εργαλείων, μπορεί να οδηγήσει σε σοβαρό τραυματισμό.
- Χρησιμοποιείτε ατομικό προστατευτικό εξοπλισμό. Φοράτε πάντοτε προστατευτικά γυαλιά. Ο εξοπλισμός προστασίας, όπως προστατευτική μάσκα αναπνοής, ανπολισθητικά παπούτσια ασφαλείας, κράνος ή προστατευτικά ακοής σε κατάλληλες συνθήκες, μειώνει τον κίνδυνο τραυματισμών.
- Φροντίστε ώστε να μην είναι εφικτή η ακούσια εκκίνηση. Βεβαιωθείτε ότι ο διακόπτης βρίσκεται στη θέση Off προτού συνδέσετε το εργαλείο στην πηγή τροφοδοσίας ή/και στην μπαταρία και προτού πάσετε ή μεταφέρετε το εργαλείο. Η μεταφορά των ηλεκτρικών εργαλείων, ενώ έχετε το χέρι σας στο διακόπτη ή η σύνδεση σε πρίζα των ηλεκτρικών εργαλείων με διακόπτη ενέχει τον κίνδυνο ατυχήματος.
- Αφαιρέστε τυχόν κλειδιά προσαρμογής ή σύσφιξης, πριν ενεργοποιήσετε το ηλεκτρικό εργαλείο. Ένα κλειδί σύσφιξης ή προσαρμογής που παραμένει προσαρτημένο σε κινούμενο μέρος του ηλεκτρικού εργαλείου μπορεί να οδηγήσει σε τραυματισμό.
- Μην υπερεκτιμάτε τις δυνατότητές σας. Να πατάτε καλά τα πόδια σας και να διατηρείτε την ισορροπία σας συνέχεια. Έτσι επιτυγχάνεται καλύτερος έλεγχος του ηλεκτρικού εργαλείου, σε τυχόν απρόβλεπτες καταστάσεις.
- Φοράτε κατάλληλα ρούχα. Μην φοράτε φαρδιά ρούχα ή κοσμήματα. Φροντίστε τα μαλλιά και τα ρούχα σας να βρίσκονται σε απόσταση από τα κινούμενα εξαρτήματα. Τα φαρδιά ρούχα, τα κοσμήματα ή τα μακριά μαλλιά ενδέχεται να πιαστούν σε κινούμενα μέρη.
- Εάν παρέχονται διατάξεις για τη σύνδεση συστημάτων συλλογής και απομάκρυνσης σκόνης, βεβαιωθείτε ότι αυτές έχουν συνδεθεί και χρησιμοποιούνται σωστά. Χρησιμοποιείτε σύστημα συλλογής σκόνης για να μειώσετε τους κινδύνους που σχετίζονται με τη σκόνη.
- Ακόμη και αν χρησιμοποιείτε συχνά και είστε εξοικειωμένοι με τα εργαλεία, μην επαναπαύεστε και μην παραβλέπετε τις αρχές ασφαλείας των εργαλείων. Μια απρόσεκτη ενέργεια μπορεί να



προκαλέσει σοβαρό τραυματισμό σε κλάσμα του δευτερολέπτου.

## Χρήση και φροντίδα των ηλεκτρικών εργαλείων

- **Μην ασκείτε μεγάλη δύναμη στο ηλεκτρικό εργαλείο.** Χρησιμοποιείτε το κατάλληλο ηλεκτρικό εργαλείο για την εφαρμογή σας. Το κατάλληλο ηλεκτρικό εργαλείο θα έχει καλύτερα αποτελέσματα για την εργασία σας και θα είναι ασφαλέστερο, στο βαθμό για τον οποίο είναι σχεδιασμένο.
- **Μην χρησιμοποιείτε το ηλεκτρικό εργαλείο, εάν δεν μπορεί να ενεργοποιηθεί και να απενεργοποιηθεί με το διακόπτη.** Ένα ηλεκτρικό εργαλείο που δεν μπορεί να ελεγχθεί από το διακόπτη είναι επικίνδυνο και πρέπει να επισκευαστεί.
- **Αποσυνδέστε το βύσμα από την πηγή τροφοδοσίας ή/και αφαιρέστε την μπαταρία (αν είναι αποσπώμενη) από το ηλεκτρικό εργαλείο πριν από την πραγματοποίηση ρυθμίσεων, την αλλαγή αξεσουάρ ή την αποθήκευση ηλεκτρικών εργαλείων.** Αυτά τα προληπτικά μέτρα ασφαλείας μειώνουν τον κίνδυνο ακούσιας εκκίνησης του ηλεκτρικού εργαλείου.
- **Φυλάσσετε τα ηλεκτρικά εργαλεία που βρίσκονται σε αδράνεια, μακριά από παιδιά και μην επιτρέπτε σε άτομα που δεν είναι εξοικειωμένα με αυτά ή με τις οδηγίες να χρησιμοποιούν το ηλεκτρικό εργαλείο.** Τα ηλεκτρικά εργαλεία είναι επικίνδυνα στα χέρια μη εκπαιδευμένων χρηστών.
- **Φροντίστε να συντηρείτε τα ηλεκτρικά εργαλεία και τα αξεσουάρ.** Ελέγχετε για τυχόν μη ευθυγραμμισμένα ή μπλοκαρισμένα κινούμενα μέρη, ρωγμές στα διάφορα μέρη και κάθε άλλη κατάσταση που μπορεί να επηρεάσει τη λειτουργία του ηλεκτρικού εργαλείου. Σε περίπτωση ζημιάς, φροντίστε για την επισκευή του ηλεκτρικού εργαλείου πριν το χρησιμοποιήσετε. Πολλά ατυχήματα προκαλούνται από ηλεκτρικά εργαλεία που δεν συντηρούνται σωστά.
- **Διατηρείτε τα εργαλεία κοπής αιχμηρά και καθαρά.** Εάν τα εργαλεία κοπής συντηρούνται σωστά, με αιχμηρές άκρες κοπής, είναι λιγότερο πιθανή η εμπλοκή τους και πιο εύκολος ο έλεγχός τους.
- **Χρησιμοποιείτε το ηλεκτρικό εργαλείο, τα εξαρτήματα και τα τρυπάνια σύμφωνα με τις οδηγίες αυτές, λαμβάνοντας υπόψη τις συνθήκες εργασίας και την εργασία που πρέπει να εκτελεστεί.** Η χρήση των ηλεκτρικών εργαλείων για εφαρμογές διαφορετικές από αυτές για τις οποίες προορίζονται μπορεί να οδηγήσει σε επικίνδυνες καταστάσεις.
- **Διατηρήστε τις χειρολαβές και τις επιφάνειες κρατήματος στεγνές και καθαρές, χωρίς λάδια και γράσο.** Οι ολισθηρές λαβές και επιφάνειες κρατήματος δεν επιτρέπουν τον ασφαλή χειρισμό και έλεγχο του εργαλείου σε απρόβλεπτες καταστάσεις.

## Χρήση και φροντίδα εργαλείων μπαταρίας

- **Να επαναφορτίζετε μόνο με το φορτιστή που ορίζεται από τον κατασκευαστή.** Ένας φορτιστής κατάλληλος για έναν τύπο συστοιχίας μπαταριών μπορεί να

δημιουργήσει κίνδυνο φωτιάς κατά τη χρήση με άλλη συστοιχία μπαταριών.

- **Χρησιμοποιήστε τα ηλεκτρικά εργαλεία μόνο με τις καθορισμένες συστοιχίες μπαταριών.** Η χρήση οποιασδήποτε άλλης μπαταρίας μπορεί να προκαλέσει κίνδυνο τραυματισμού και πυρκαγιάς.
- **Όταν η μπαταρία δεν χρησιμοποιείται, πρέπει να την φυλάσσετε μακριά από άλλα μεταλλικά αντικείμενα, όπως συνδετήρες, νομίσματα, κλειδιά, καρφιά, βίδες ή άλλα μικρά μεταλλικά αντικείμενα, που μπορεί να προκαλέσουν ένωση των πόλων.** Η βραχυκύκλωση των ακροδεκτών της μπαταρίας μεταξύ τους μπορεί να προκαλέσει εγκαύματα ή πυρκαγιά.
- **Σε περίπτωση ακατάλληλου χειρισμού, μπορεί να εκπαινωθεί υγρό από την μπαταρία. Αποφεύγετε κάθε επαφή. Σε περίπτωση τυχαίας επαφής, ξεπλύνετε με νερό. Εάν το υγρό έρθει σε επαφή με τα μάτια, ζητήστε επίσης ιατρική βοήθεια.** Η εκτόξευση υγρού από την μπαταρία μπορεί να προκαλέσει ερεθισμούς ή εγκαύματα.
- **Μην χρησιμοποιείτε μπαταρίες ή εργαλεία που έχουν υποστεί ζημιά ή μετατροπές.** Οι μπαταρίες που έχουν υποστεί ζημιά ή τροποποίηση μπορεί να παρουσιάσουν απρόβλεπτη συμπεριφορά με αποτέλεσμα να προκληθεί κίνδυνος πυρκαγιάς, έκρηξης ή τραυματισμού.
- **Μην εκθέτετε τις μπαταρίες ή τα εργαλεία σε φωτιά ή υπερβολική θερμοκρασία.** Η έκθεση σε φωτιά ή θερμοκρασίες πάνω από 130 °C/266 °F μπορεί να προκαλέσει έκρηξη.
- **Ακολουθήστε όλες τις οδηγίες φόρτισης και μην φορτίζετε τις μπαταρίες ή τα εργαλεία εκτός του εύρους θερμοκρασίας που προδιαγράφεται στις οδηγίες.** Η φόρτιση με λανθασμένο τρόπο ή σε θερμοκρασίες εκτός του προδιαγραφόμενου εύρους μπορεί να προκαλέσει ζημιά στην μπαταρία και αυξάνει τον κίνδυνο πυρκαγιάς.

## Σέρβις

- **Αναθέστε το σέρβις του ηλεκτρικού σας εργαλείου σε εξειδικευμένο τεχνικό για επισκευή με τη χρήση μόνο πανομοιότυπων ανταλλακτικών.** Έτσι θα διασφαλίζεται η διατήρηση της ασφάλειας του ηλεκτρικού εργαλείου.
- **Μην εκτελείτε εργασίες σέρβις σε καταστραμμένες μπαταρίες.** Οι εργασίες σέρβις σε μπαταρίες θα πρέπει να εκτελούνται μόνο από τον κατασκευαστή ή από εξουσιοδοτημένα καταστήματα σέρβις.

## Προειδοποιήσεις ασφαλείας για το χορτοκοπτικό, το θαμνοκοπτικό και το πριόνι θάμνων (brush saw)

- **Μην χρησιμοποιείτε το μηχάνημα σε κακές καιρικές συνθήκες, ιδιαίτερα όταν υπάρχει κίνδυνος κεραυνού.** Έτσι μειώνεται ο κίνδυνος να σας χτυπήσει κεραυνός.
- **Επιθεωρήστε προσεκτικά την περιοχή για ύπαρξη πανίδας όπου θα χρησιμοποιηθεί το μηχάνημα.** Η

- πανίδα μπορεί να τραυματιστεί από το μηχανήμα κατά τη διάρκεια της λειτουργίας.
- **Επιθεωρήστε προσεκτικά την περιοχή όπου θα χρησιμοποιηθεί το μηχανήμα και αφαιρέστε όλες τις πέτρες, τα κλαδιά, τα καλώδια, τα κόκαλα και οποιαδήποτε άλλα ξένα αντικείμενα.** Τα αντικείμενα που εκτοξεύονται μπορούν να προκαλέσουν τραυματισμό.
  - **Πριν από τη χρήση του μηχανήματος, επιθεωρείτε πάντα οπτικά για να βεβαιωθείτε ότι ο κόφτης ή η λεπίδα και το συγκρότημα κόφτη ή λεπίδας δεν έχουν υποστεί ζημιά.** Τα εξαρτήματα που έχουν υποστεί ζημιά αυξάνουν τον κίνδυνο τραυματισμού.
  - **Τηρείτε τις οδηγίες για την αλλαγή των αξεσουάρ.** Εάν τα παξιμάδια ή τα μπουλόνια ασφάλισης της λεπίδας δεν είναι σωστά σφιγμένα, ενδέχεται είτε να προκληθεί ζημιά στη λεπίδα είτε να αποσυνδεθεί.
  - **Η ονομαστική περιστροφική ταχύτητα του κόφτη πρέπει να είναι τουλάχιστον ίση με τη μέγιστη περιστροφική ταχύτητα που αναγράφεται στο μηχανήμα.** Οι κόφτες που λειτουργούν με μεγαλύτερη ταχύτητα από την ονομαστική ταχύτητα μπορεί να σπάζουν και να εκτιναχθούν.
  - **Φοράτε προστατευτικά μέσα για τα μάτια, τα αυτιά, το κεφάλι και τα χέρια.** Ο κατάλληλος εξοπλισμός προστασίας μειώνει τον κίνδυνο τραυματισμού από τα εκτοξευόμενα θραύσματα ή από τυχαία επαφή με τη μεσινέζα ή τη λεπίδα.
  - **Κατά τη λειτουργία του μηχανήματος, φοράτε πάντα αντιολισθητικά και προστατευτικά παπούτσια.** Μην χρησιμοποιείτε το μηχανήμα με γυμνό πόδι ή φορώντας σανδάλια. Αυτό μειώνει την πιθανότητα τραυματισμού των ποδιών από επαφή με έναν κινούμενο κόφτη, μεσινέζα ή λεπίδα.
  - **Κατά τη λειτουργία του μηχανήματος, φοράτε πάντα μακρύ παντελόνι.** Το εκτεθειμένο δέρμα αυξάνει την πιθανότητα τραυματισμού από αντικείμενα που εκτινάσσονται.
  - **Απομακρύνετε τυχόν παριστάμενα άτομα κατά τη λειτουργία του μηχανήματος.** Τα υπολείμματα που πέφτουν μπορεί να οδηγήσουν σε σοβαρό τραυματισμό.
  - **Χρησιμοποιείτε πάντα και τα δύο χέρια για τον χειρισμό του μηχανήματος.** Κρατάτε το μηχανήμα και με τα δύο χέρια για να αποφύγετε την απώλεια ελέγχου.
  - **Να κρατάτε το μηχανήμα μόνο από τις μονωμένες επιφάνειες λαβής, επειδή η μεσινέζα ή η λεπίδα μπορεί να έρθουν σε επαφή με κρυμμένη καλωδίωση.** Αν η μεσινέζα ή οι λεπίδες έρθουν σε επαφή με ένα καλώδιο υπό τάση, μπορεί να θέσει τα εκτεθειμένα μεταλλικά μέρη του ηλεκτρικού εργαλείου υπό τάση και να προκληθεί ηλεκτροπληξία στον χειριστή.
  - **Να πατάτε πάντα σωστά και να χρησιμοποιείτε το μηχανήμα μόνο όταν στέκεστε στο έδαφος.** Οι ολισθηρές ή ασταθείς επιφάνειες μπορεί να προκαλέσουν απώλεια ισορροπίας ή ελέγχου του μηχανήματος.

- **Μην χρησιμοποιείτε το μηχανήμα σε υπερβολικά απότομα πρανή.** Αυτό μειώνει τον κίνδυνο απώλειας ελέγχου, ολίσθησης και πτώσης, γεγονός που μπορεί να οδηγήσει σε τραυματισμό.
- **Κατά την εργασία σε πρανή, πρέπει πάντα να είστε σίγουροι πού πατάτε, να εργάζεστε πάντα κινούμενοι εγκάρσια στις επιφάνειες με κλίση, ποτέ προς τα πάνω ή προς τα κάτω, και να είστε ιδιαίτερα προσεκτικοί κατά την αλλαγή κατεύθυνσης.** Αυτό μειώνει τον κίνδυνο απώλειας ελέγχου, ολίσθησης και πτώσης, γεγονός που μπορεί να οδηγήσει σε τραυματισμό.
- **Κρατήστε όλα τα μέρη του σώματος μακριά από τον κόφτη, τη μεσινέζα ή τη λεπίδα όταν το μηχανήμα βρίσκεται σε λειτουργία.** Πριν θέσετε σε λειτουργία το μηχανήμα, βεβαιωθείτε ότι ο κόφτης, η μεσινέζα ή η λεπίδα δεν έρχονται σε επαφή με τίποτα. Μια στιγμή απροσεξίας κατά τον χειρισμό του μηχανήματος μπορεί να οδηγήσει σε τραυματισμό του εαυτού σας ή άλλων ατόμων.
- **Μην χρησιμοποιείτε το μηχανήμα πάνω από το ύψος της μέσης.** Αυτό εμποδίζει την ακούσια επαφή του κόφτη ή της λεπίδας και παρέχει καλύτερο έλεγχο του μηχανήματος σε απρόβλεπτες καταστάσεις.
- **Όταν κόβετε θάμνους ή δενδρύλλια που βρίσκονται υπό μηχανική τάση, πρέπει να είστε σε εγρήγορση για ενδεχόμενα νάγματα επαναφοράς.** Όταν απελευθερώνεται η μηχανική τάση που ασκείται στις ίνες του ξύλου, ο θάμνος ή το δενδρύλλιο μπορεί να χτυπήσει τον χειριστή ή/και να θέσει το μηχανήμα εκτός ελέγχου.
- **Επιδείξτε μεγάλη προσοχή κατά την κοπή βεργών και δενδρυλλίων.** Το λεπτό υλικό μπορεί να παγιδευτεί στη λεπίδα και να εκτοξευτεί προς το μέρος σας ή να σας θέσει εκτός ισορροπίας.
- **Διατηρήστε τον έλεγχο του μηχανήματος και μην αγγίζετε κόφτες, μεσινέζες ή λεπίδες και άλλα επικίνδυνα κινούμενα μέρη ενώ βρίσκονται ακόμη σε κίνηση.** Αυτό μειώνει τον κίνδυνο τραυματισμού από κινούμενα μέρη.
- **Όταν απομακρύνετε υλικά που μπλοκάρουν τη λειτουργία ή όταν συντηρείτε τη μονάδα, βεβαιωθείτε ότι όλοι οι διακόπτες ισχύος είναι σβηστοί και το καλώδιο παροχής ρεύματος αποσυνδεδεμένο.** Η μη αναμενόμενη εκκίνηση του μηχανήματος όταν απομακρύνετε υλικά που μπλοκάρουν τη λειτουργία του ή όταν το συντηρείτε μπορεί να οδηγήσει σε σοβαρό τραυματισμό.
- **Μεταφέρετε το μηχανήμα απενεργοποιημένο και μακριά από το σώμα σας.** Ο σωστός χειρισμός του μηχανήματος θα μειώσει την πιθανότητα τυχαίας επαφής με έναν κινούμενο κόφτη, μεσινέζα ή λεπίδα.
- **Κατά τη μεταφορά ή την αποθήκευση του μηχανήματος, τοποθετείτε πάντα το κάλυμμα στις μεταλλικές λεπίδες.** Ο σωστός χειρισμός του μηχανήματος θα μειώσει την πιθανότητα τυχαίας επαφής με τη λεπίδα.
- **Χρησιμοποιείτε μόνο τους ανταλλακτικούς κόφτες, μεσινέζες, κεφαλές κοπής και λεπίδες που καθορίζονται από τον κατασκευαστή.** Τα εσφαλμένα

ανταλλακτικά μπορεί να αυξήσουν τον κίνδυνο θραύσης και τραυματισμού.

## Άλλες γενικές πληροφορίες για την ασφάλεια

- Απενεργοποιήστε το προϊόν προτού μετακινηθείτε σε άλλη περιοχή. Πρέπει πάντα να αφαιρείτε την μπαταρία όταν παραδίδετε το μηχάνημα σε άλλο πρόσωπο.
- Μην αφήνετε ποτέ το προϊόν στο έδαφος εάν δεν το έχετε απενεργοποιήσει και δεν έχετε αφαιρέσει την μπαταρία. Μην αφήνετε το προϊόν χωρίς επίβλεψη όταν είναι ενεργοποιημένο.
- Το εργαλείο κοπής δεν σταματά αμέσως με την απενεργοποίηση του προϊόντος.
- Πριν από τη χρήση του προϊόντος και μετά από τυχόν πρόσκρουση, ελέγξτε για ενδείξεις φθοράς ή ζημιών και επισκευάστε όπως απαιτείται.
- Εάν εμπλακεί οποιοδήποτε αντικείμενο στο εξάρτημα κοπής ενώ χρησιμοποιείτε το προϊόν, σταματήστε και απενεργοποιήστε το προϊόν. Βεβαιωθείτε ότι το εξάρτημα κοπής έχει σταματήσει εντελώς. Αφαιρέστε την μπαταρία πριν από τον καθαρισμό, την επιθεώρηση ή την επισκευή του προϊόντος ή/και του εξοπλισμού κοπής.
- Ελέγξτε το προϊόν προτού το χρησιμοποιήσετε. Ανατρέξτε στην ενότητα *Συσκευές ασφαλείας στο προϊόν στη σελίδα 93* και *Συντήρηση στη σελίδα 97*. Μην χρησιμοποιείτε ελαττωματικά προϊόντα. Πραγματοποιείτε όλους τους ελέγχους ασφαλείας και τηρείτε τις οδηγίες συντήρησης και σέρβις που αναφέρονται στο παρόν εγχειρίδιο.
- Τα ελαττωματικά εξαρτήματα κοπής μπορεί να αυξήσουν τον κίνδυνο ατυχημάτων.
- Ελέγξτε τον μηχανισμό για ρύπους και ρωγμές. Καθαρίστε το γρασίδι και τα φύλλα από τον μηχανισμό χρησιμοποιώντας βούρτσα. Φορέστε γάντια όταν χρειάζεται.
- Να βεβαιώνετε πάντα ότι τα ανοίγματα αερισμού δεν έχουν φράξει από υπολείμματα υλικών.
- Ελέγξτε αν η κεφαλή του χορτοκοπτικού είναι πλήρως συνδεδεμένη στο χορτοκοπτικό.
- Όλα τα καλύμματα, τα προστατευτικά και οι λαβές πρέπει να είναι τοποθετημένα πριν την εκκίνηση.
- Βεβαιωθείτε ότι το μηχάνημα βρίσκεται σε άριστη κατάσταση λειτουργίας. Βεβαιωθείτε ότι όλα τα παξιμάδια και οι βίδες είναι σφιγμένα.
- Ελέγξτε αν η κεφαλή και ο προφυλακτήρας χορτοκοπτικού δεν παρουσιάζουν βλάβες ή ρωγμές. Αντικαταστήστε την κεφαλή ή τον προφυλακτήρα του χορτοκοπτικού, εάν έχουν χτυπηθεί ή παρουσιάζουν ρωγμές. Χρησιμοποιείτε πάντα το συνιστώμενο προστατευτικό για το εξάρτημα κοπής που χρησιμοποιείτε. Ανατρέξτε στην ενότητα *Αξεσουάρ στη σελίδα 101*.
- Αυτό το προϊόν είναι ένα επικίνδυνο εργαλείο εάν δεν είστε προσεκτικοί ή δεν το χρησιμοποιείτε σωστά. Αυτό το προϊόν μπορεί να προκαλέσει σοβαρό τραυματισμό ή θάνατο του χειριστή ή άλλων ατόμων.
- Αυτό το μηχάνημα δεν προορίζεται για χρήση από άτομα (συμπεριλαμβανομένων των παιδιών) με μειωμένες κινητικές, αισθητήριες ή νοητικές ικανότητες ή από άτομα με έλλειψη γνώσεων και εμπειρίας, εκτός αν τελούν υπό την εποπτεία ή καθοδήγηση ατόμου υπεύθυνου για την ασφάλειά τους αναφορικά με τη χρήση αυτού του μηχανήματος. Τα παιδιά πρέπει να εποπτεύονται ώστε να διασφαλιστεί ότι δεν παίζουν με τη συσκευή.
- Μην επιτρέπετε ποτέ σε παιδιά να χρησιμοποιούν ή να βρίσκονται κοντά στο μηχάνημα. Δεδομένου ότι η εκκίνηση του μηχανήματος είναι εύκολη, τα παιδιά μπορεί να το θέσουν σε λειτουργία εάν δεν βρίσκονται υπό συνεχή επίτηρηση. Αυτό μπορεί να οδηγήσει σε σοβαρό τραυματισμό. Συνεπώς, αποσυνδέετε την μπαταρία, όταν το μηχάνημα δεν βρίσκεται υπό στενή εποπτεία.
- Μην επιτρέπετε ποτέ σε παιδιά ή άλλα μη εκπαιδευμένα σχετικά με τη χρήση του προϊόντος ή της μπαταρίας άτομα να χρησιμοποιούν το μηχάνημα ή/και την μπαταρία ή να πραγματοποιούν εργασίες συντήρησης σε αυτό.
- Αποθηκεύστε τον εξοπλισμό σε χώρο που κλειδώνει, ώστε να μην έχουν πρόσβαση παιδιά και μη εξουσιοδοτημένα άτομα.
- Διατηρείτε πάντα τα χέρια και τα πόδια σας μακριά από την περιοχή κοπής, ιδιαίτερα κατά την ενεργοποίηση του κινητήρα.
- Φροντίστε τα χέρια και τα πόδια σας να βρίσκονται σε απόσταση από το εξάρτημα κοπής μέχρι να σταματήσει εντελώς όταν το προϊόν απενεργοποιηθεί.
- Μην αφαιρείτε το υλικό κοπής ή μην επιτρέπετε σε άλλα άτομα να αφαιρούν το υλικό κοπής, όταν το προϊόν είναι ενεργοποιημένο ή όταν ο εξοπλισμός κοπής περιστρέφεται, καθώς αυτό μπορεί να προκαλέσει σοβαρό τραυματισμό.
- Να θυμάστε ότι εσείς, ο χειριστής, είστε υπεύθυνος για τη μη έκθεση ανθρώπων ή αντικειμένων σε ατυχήματα ή κινδύνους.
- Δεν επιτρέπονται, σε καμία περίπτωση, τροποποιήσεις στη σχεδίαση του προϊόντος χωρίς την έγκριση του κατασκευαστή. Πρέπει πάντα να χρησιμοποιείτε γνήσια αξεσουάρ. Η μη εξουσιοδοτημένη εκτέλεση τροποποιήσεων ή/και η χρήση μη γνήσιων αξεσουάρ μπορεί να οδηγήσει σε σοβαρό προσωπικό τραυματισμό ή θάνατο του χειριστή ή άλλων ατόμων. Η εγγύηση μπορεί να μην καλύπτει ζημιές ή νομικές ευθύνες που μπορεί να προκύψουν από τη χρήση μη εγκεκριμένων αξεσουάρ ή ανταλλακτικών.
- Τα μόνιμα αξεσουάρ που μπορείτε να χρησιμοποιήσετε με αυτό το προϊόν είναι τα εξαρτήματα κοπής που συνιστώνται στο κεφάλαιο Αξεσουάρ. Ανατρέξτε στην ενότητα *Αξεσουάρ στη σελίδα 101*.
- Μην χρησιμοποιείτε ποτέ το προϊόν εάν έχει τροποποιηθεί με οποιονδήποτε τρόπο από τις αρχικές προδιαγραφές του

- Μην χρησιμοποιείτε ποτέ το προϊόν εάν παρουσιάζει πρόβλημα. Εκτελείτε όλους τους ελέγχους ασφαλείας και τηρείτε τις οδηγίες συντήρησης και επισκευής που αναφέρονται στο παρόν εγχειρίδιο. Μερικά μέτρα συντήρησης και επισκευής πρέπει να εκτελούνται από εκπαιδευμένο και ειδικευμένο προσωπικό. Δείτε τις οδηγίες στην ενότητα με τίτλο Συντήρηση.
- Η εργασία με άσχημες καιρικές συνθήκες είναι κουραστική και συχνά επιφέρει πρόσθετο κίνδυνο. Λόγω του πρόσθετου κινδύνου, δεν συνιστάται η χρήση του προϊόντος σε πολύ δυσμενείς καιρικές συνθήκες, π.χ. σε πυκνή ομίχλη, δυνατή βροχή, ισχυρούς ανέμους, έντονο ψύχος, όταν υπάρχει κίνδυνος πτώσης κεραυνοβόλου κ.λπ.
- Μην εργάζεστε ποτέ σε σκάλα, σκαμνή ή άλλη ανυψωμένη θέση η οποία δεν είναι απόλυτα ασφαλής.
- Αποθηκεύστε τις ανενεργές συσκευές σε εσωτερικό χώρο - Οι συσκευές θα πρέπει να αποθηκεύονται σε εσωτερικό χώρο όταν δεν χρησιμοποιούνται
- Δεν είναι δυνατό να καλυφθούν όλες οι περιπτώσεις που ενδέχεται να συναντήσετε. Πρέπει πάντα να είστε προσεκτικοί και να χρησιμοποιείτε την κοινή λογική. Αποφεύγετε καταστάσεις τις οποίες θεωρείτε πέραν των δυνατοτήτων σας. Αν δεν είστε σίγουροι για τις διαδικασίες χειρισμού, αφού διαβάσετε αυτές τις οδηγίες, θα πρέπει να συμβουλευτείτε κάποιον ειδικό πριν συνεχίσετε.
- Βεβαιωθείτε ότι δεν υπάρχουν άτομα ή ζώα σε απόσταση μικρότερη από 15 μέτρα κατά τη διάρκεια της εργασίας. Όταν εργάζονται πολλοί χειριστές στην ίδια περιοχή, η απόσταση ασφαλείας πρέπει να είναι τουλάχιστον 15 μέτρα. Διαφορετικά υπάρχει κίνδυνος σοβαρού τραυματισμού. Εάν πλησιάζει κάποιος, απενεργοποιήστε αμέσως το προϊόν. Μην περιστρέφετε ποτέ το προϊόν προς καμία κατεύθυνση, εάν δεν ελέγξετε πρώτα πίσω σας για να βεβαιωθείτε ότι δεν υπάρχει κανείς εντός της ζώνης ασφαλείας.
- Βεβαιωθείτε ότι άτομα, ζώα ή άλλοι παράγοντες δεν μπορούν να επηρεάσουν τον έλεγχο του προϊόντος και ότι δεν έρχονται σε επαφή με το εξάρτημα κοπής ή με αντικείμενα που εκσφενδονίζονται από το εξάρτημα κοπής. Ωστόσο, μην χρησιμοποιείτε το προϊόν παρά μόνο όταν έχετε τη δυνατότητα να καλέσετε βοήθεια σε περίπτωση ατυχήματος.
- Βεβαιωθείτε ότι μπορείτε να κινηθείτε και να σταθείτε όρθιοι με ασφάλεια. Ελέγξτε την περιοχή γύρω σας για πιθανά εμπόδια (ρίζες, βράχια, κλαδιά, χαντάκια κ.λπ.) για την περίπτωση που χρειαστεί να μετακινηθείτε ξαφνικά. Να είστε ιδιαίτερα προσεκτικοί όταν εργάζεστε σε έδαφος με κλίση.
- Περπατάτε, ποτέ μην τρέχετε.
- Επιθεωρήστε τον χώρο εργασίας. Απομακρύνετε όλα τα ελεύθερα αντικείμενα, όπως πέτρες, στασμένα γυαλιά, ασφάλινα σύρματα, σχοινιά κ.λπ. που μπορεί να εκτοξευθούν ή να τυλιχτούν γύρω από το κοπτικό εργαλείο ή τον προφυλακτήρα του κοπτικού εργαλείου.

- Προσέχετε για κομμένα υπολείμματα κλαδιών που μπορεί να εκτιναχτούν κατά την κοπή. Μην κόβετε πολύ κοντά στο έδαφος όπου μπορεί να εκτοξευτούν πέτρες ή άλλα αντικείμενα.
- Βεβαιωθείτε ότι τα ρούχα ή τα μέρη του σώματός σας δεν έρχονται σε επαφή με το εξάρτημα κοπής όταν το προϊόν είναι ενεργοποιημένο. Διατηρείτε το προϊόν κάτω από το ύψος της μέσης σας.
- Να προσέχετε τυχόν αντικείμενα που εκτοξεύονται. Φοράτε πάντα εγκεκριμένο εξοπλισμό για την προστασία των ματιών. Μην σκύβετε ποτέ πάνω από τον προφυλακτήρα του εξαρτήματος κοπής. Υπάρχει κίνδυνος να εκσφενδονιστούν πέτρες, σκουπίδια, κ.λπ. στα μάτια σας, προκαλώντας τύφλωση ή σοβαρό τραυματισμό.
- Να επιδεικνύετε ιδιαίτερη προσοχή για τυχόν προειδοποιητικά σήματα ή κραυγές όταν φοράτε τα προστατευτικά ακοής. Βγάξτε πάντα τα προστατευτικά ακοής μόλις σταματήσει το προϊόν.
- Σε περίπτωση ανεπιθύμητων κραδασμών, απελευθερώστε πρόσθετη μεσινέζα ώστε η μεσινέζα να έχει το σωστό μήκος για να σταματήσουν οι κραδασμοί.
- Εάν εμφανιστούν ασυνήθιστοι κραδασμοί, σταματήστε το προϊόν και αφαιρέστε την μπαταρία.
- Η υπερέκθεση σε κραδασμούς μπορεί να προκαλέσει βλάβη στο κυκλοφορικό ή νευρικό σύστημα σε άτομα με βεβαρημένο κυκλοφορικό. Αν αισθανθείτε συμπτώματα υπερέκθεσης σε κραδασμούς, επικοινωνήστε με τον γιατρό σας. Παραδείγματα τέτοιων συμπτωμάτων είναι το μούδιασμα, η απώλεια αίσθησης, οι σουβλιές, ο πόνος, η μυϊκή ατονία και η αλλαγή στο χρώμα ή την κατάσταση του δέρματος. Τα συμπτώματα αυτά συνήθως εμφανίζονται στα δάχτυλα, τις παλάμες ή τους καρπούς.
- Να κρατάτε πάντα το προϊόν και με τα δύο χέρια. Να κρατάτε το προϊόν στη δεξιά πλευρά του σώματός σας.

## Προσωπικός εξοπλισμός προστασίας



**ΠΡΟΕΙΔΟΠΟΙΗΣΗ:** Προτού χρησιμοποιήσετε το προϊόν, διαβάστε τις παρακάτω προειδοποιητικές οδηγίες.

- Όταν χρησιμοποιείτε το προϊόν, να φοράτε πάντα εγκεκριμένο προσωπικό εξοπλισμό προστασίας. Ο προσωπικός εξοπλισμός προστασίας δεν μπορεί να εξαλείψει τον κίνδυνο τραυματισμών, ωστόσο μειώνει τη σοβαρότητά τους σε περίπτωση ατυχήματος. Ο αντιπρόσωπος θα σας βοηθήσει να επιλέξετε το σωστό εξοπλισμό.
- Να χρησιμοποιείτε κράνος προστασίας στις περιπτώσεις όπου υπάρχει κίνδυνος πτώσης αντικειμένων.
- Να χρησιμοποιείτε εγκεκριμένα προστατευτικά ακοής που παρέχουν επαρκή μείωση θορύβου. Η μακροχρόνια έκθεση στο θόρυβο μπορεί να προκαλέσει μόνιμη βλάβη στην ακοή.

- Πρέπει να χρησιμοποιείτε εγκεκριμένα μέσα προστασίας των ματιών. Εάν χρησιμοποιείτε προστατευτικό γέισο, πρέπει επίσης να χρησιμοποιείτε πάντα εγκεκριμένα προστατευτικά γυαλιά. Τα εγκεκριμένα προστατευτικά γυαλιά πρέπει να συμμορφώνονται με το πρότυπο ANSI Z87.1 στις Η.Π.Α. ή το πρότυπο EN 166 στις χώρες της Ε.Ε.

- Χρησιμοποιήστε προστατευτικό γέισο για την προστασία του προσώπου. Το προστατευτικό γέισο δεν επαρκεί για την προστασία των ματιών.

(Εικ. 19)

- Όταν χρειάζεται, να χρησιμοποιείτε γάντια, για παράδειγμα κατά την τοποθέτηση, την επιθεώρηση ή τον καθαρισμό του εξοπλισμού κοπή.
- Φοράτε ανθεκτικές και αντιολισθητικές μπότες.
- Να φοράτε ρούχα από ανθεκτικό ύφασμα. Να φοράτε πάντα ανθεκτικό μακρό παντελόνι και μακριά μανίκια. Να μην φοράτε φαρδιά ρούχα που μπορεί να πιαστούν σε κλωνάρια και κλαδιά. Να μην φοράτε κοσμήματα, κοντά παντελόνια, σανδάλια και να μην είστε ξυπόλυτοι. Να δένετε τα μαλλιά σας με ασφάλεια πάνω από το ύψος των ώμων.

(Εικ. 20)

- Να φροντίζετε να υπάρχει εξοπλισμός πρώτων βοηθειών σε κοντινή απόσταση.

(Εικ. 21)

## Συσκευές ασφαλείας στο προϊόν



**ΠΡΟΕΙΔΟΠΟΙΗΣΗ:** Προτού χρησιμοποιήσετε το προϊόν, διαβάστε τις παρακάτω προειδοποιητικές οδηγίες.

Σε αυτή την ενότητα περιγράφονται τα χαρακτηριστικά ασφαλείας του προϊόντος, ο σκοπός του καθώς και ο τρόπος διεξαγωγής των ελέγχων και της συντήρησης για τη διασφάλιση της σωστής λειτουργίας του. Διαβάστε τις οδηγίες κάτω από την επικεφαλίδα *Εισαγωγή στη σελίδα 86* για να βρείτε πού βρίσκονται αυτά τα εξαρτήματα στο προϊόν σας.

Η διάρκεια ζωής του προϊόντος μπορεί να μειωθεί και ο κίνδυνος ατυχημάτων να αυξηθεί, εάν η συντήρηση του προϊόντος δεν πραγματοποιείται σωστά και εάν το σέρβις ή/και οι επισκευές δεν εκτελούνται επαγγελματικά. Εάν χρειαστείτε περισσότερες πληροφορίες, επικοινωνήστε με τον πλησιέστερο αντιπρόσωπο σέρβις.



**ΠΡΟΕΙΔΟΠΟΙΗΣΗ:** Μην χρησιμοποιείτε ποτέ ένα προϊόν με φθαρμένα εξαρτήματα ασφαλείας. Ο εξοπλισμός ασφαλείας του προϊόντος πρέπει να επιθεωρείται και να συντηρείται όπως περιγράφεται σε αυτήν την ενότητα. Εάν το προϊόν αποτύχει σε οποιονδήποτε από αυτούς τους ελέγχους, επικοινωνήστε με τον αντιπρόσωπο σέρβις για την επισκευή του.



**ΠΡΟΣΟΧΗ:** Όλες οι εργασίες σέρβις και επισκευής στο μηχανήμα απαιτούν ειδική εκπαίδευση. Αυτό ισχύει ιδιαίτερα για τον εξοπλισμό ασφαλείας του μηχανήματος. Εάν το μηχανήμα σας αποτύχει σε κάποιον από αυτούς τους ελέγχους που περιγράφονται παρακάτω, επικοινωνήστε με τον αντιπρόσωπο σέρβις. Όταν αγοράζετε οποιοδήποτε από τα προϊόντα μας, εγγυώμαστε τη διαθεσιμότητα επαγγελματικών επισκευών και σέρβις. Εάν το κατάστημα λιανικής πώλησης από όπου προμηθευτήκατε το μηχανήμα δεν είναι αντιπρόσωπος σέρβις, ζητήστε από το κατάστημα τη διεύθυνση του πλησιέστερου αντιπροσώπου σέρβις.

## Έλεγχος των στοιχείων αλληλεπίδρασης με τον χρήστη

1. Πατήστε παρατεταμένα το κουμπί εκκίνησης/ διακοπής λειτουργίας (A).
  - a) Το προϊόν είναι ενεργοποιημένο, όταν η οθόνη (B) είναι αναμμένη. (Εικ. 22)
  - b) Το προϊόν είναι απενεργοποιημένο, όταν η οθόνη είναι σβηστή.
2. Αν η προειδοποιητική ένδειξη στην οθόνη ανάψει ή αρχίσει να αναβοσβήνει, ανατρέξτε στην ενότητα *Στοιχεία αλληλεπίδρασης με το χρήστη στη σελίδα 98*.

## Έλεγχος της ασφαλείας της σκανδάλης γκαζιού

Η ασφάλεια της σκανδάλης γκαζιού είναι έτσι σχεδιασμένη ώστε να αποτρέπει την τυχαία λειτουργία. Όταν πιέζετε την ασφάλεια της σκανδάλης γκαζιού προς τα εμπρός (A) και, στη συνέχεια, πιέζετε την ασφάλεια της σκανδάλης γκαζιού πάνω στη λαβή (B), η σκανδάλη γκαζιού (C) απελευθερώνεται. Όταν απελευθερώνετε τη λαβή, η σκανδάλη γκαζιού και η ασφάλεια της σκανδάλης γκαζιού μετακινούνται προς τα πίσω στην αρχική τους θέση. Αυτή η κίνηση εκτελείται από τρία ανεξάρτητα ελατήρια.

(Εικ. 23)

1. Βεβαιωθείτε ότι η σκανδάλη γκαζιού είναι ασφαλισμένη, όταν η ασφάλεια της σκανδάλης γκαζιού βρίσκεται στην αρχική της θέση. (Εικ. 24)
2. Πατήστε τη σκανδάλη γκαζιού και βεβαιωθείτε ότι επιστρέφει στην αρχική της θέση, μόλις την απελευθερώσετε. (Εικ. 25)
3. Βεβαιωθείτε ότι η σκανδάλη γκαζιού και η ασφάλεια της σκανδάλης γκαζιού κινούνται ελεύθερα και ότι το ελατήριο επαναφοράς λειτουργεί σωστά.
4. Εκκινήστε το προϊόν, βλ. *Εκκίνηση του προϊόντος στη σελίδα 96*.
5. Ανοίξτε τέρμα το γκαζί.

6. Αφήστε τη σκανδάλη γκαζιού και βεβαιωθείτε ότι το παρελκόμενο κοπής σταματά και παραμένει ακινητοποιημένο.

## Για τον έλεγχο του προφυλακτήρα του εξαρτήματος κοπής



**ΠΡΟΕΙΔΟΠΟΙΗΣΗ:** Να μην χρησιμοποιείτε το εξάρτημα κοπής χωρίς έναν εγκεκριμένο και σωστά τοποθετημένο προφυλακτήρα. Χρησιμοποιείτε πάντα τον προφυλακτήρα που συνιστάται για το εξάρτημα κοπής που χρησιμοποιείτε, βλ. *Αξεσουάρ στη σελίδα 101*. Εάν τοποθετηθεί λανθασμένος ή ελαττωματικός προφυλακτήρας, μπορεί να προκληθεί σοβαρός προσωπικός τραυματισμός.

Ο προφυλακτήρας του παρελκόμενου κοπής σταματά να αντικείμενα που εκπνάζονται προς την κατεύθυνση του χειριστή. Επίσης αποτρέπει τους τραυματισμούς που θα προκύψουν εάν αγγίξετε το εξάρτημα κοπής.

1. Απενεργοποιήστε το προϊόν και αφαιρέστε την μπαταρία.
2. Εκτελέστε οπτικό έλεγχο για ζημιές, για παράδειγμα ρωγμές. (Εικ. 26)
3. Αντικαταστήστε τον προφυλακτήρα του παρελκόμενου κοπής, αν έχει υποστεί ζημιά.

## Κεφαλή χορτοκοπτικού

- Πρέπει πάντα να χρησιμοποιείτε τη σωστή κεφαλή χορτοκοπτικού, τα σωστά εξαρτήματα κοπής και τη συνιστώμενη μεσινέζα χορτοκοπτικού. Ανατρέξτε στην ενότητα *Αξεσουάρ στη σελίδα 101* και στη συναρμολόγηση που περιγράφεται στο τέλος του εγχειριδίου.
- Βεβαιωθείτε ότι το κοπτικό εργαλείο στον προφυλακτήρα του χορτοκοπτικού δεν έχει υποστεί ζημιά.
- Για να αποφεύγετε ασυνήθιστους κραδασμούς από το προϊόν, πρέπει να βεβαιώνετε ότι η μεσινέζα του χορτοκοπτικού είναι τυλιγμένη σφικτά και ομοιόμορφα γύρω από το τύμπανο. Αν χρησιμοποιηθούν διαφορετικά μήκη μεσινέζας, μπορεί να προκληθούν ανεπιθύμητοι κραδασμοί. Χτυπήστε ελαφρώς την κεφαλή του χορτοκοπτικού για να επιτύχετε το σωστό μήκος της μεσινέζας.

Για να αυξήσετε τη διάρκεια ζωής της μεσινέζας, μπορείτε να τη μουλιάσετε σε νερό για 2 ημέρες ή περισσότερο προτού τη συναρμολογήσετε. Με αυτόν τον τρόπο, η μεσινέζα γίνεται πιο ανθεκτική.

## Οδηγίες ασφαλείας για τη συναρμολόγηση



**ΠΡΟΕΙΔΟΠΟΙΗΣΗ:** Διαβάστε, κατανοήστε και τηρείτε προσεκτικά αυτές τις οδηγίες προτού χρησιμοποιήσετε το προϊόν.

- Αφαιρέστε την μπαταρία από το προϊόν προτού το συναρμολογήσετε.
- Χρησιμοποιείτε εγκεκριμένα προστατευτικά γάντια.
- Ένα προστατευτικό που έχει υποστεί ζημιά ή δεν λειτουργεί σωστά μπορεί να προκαλέσει τραυματισμό. Μην χρησιμοποιείτε ένα εξάρτημα κοπής που δεν διαθέτει προσαρτημένο εγκεκριμένο προφυλακτήρα.
- Φροντίστε να συναρμολογήσετε σωστά το κάλυμμα και τον άξονα προτού εκκινήσετε το προϊόν.
- Ο δίσκος μετάδοσης και η φλάντζα στήριξης πρέπει να συμπλεχθούν σωστά στην κεντρική οπή του εξαρτήματος κοπής. Αν το εξάρτημα κοπής προσαρτηθεί εσφαλμένα, μπορεί να προκαλέσει τραυματισμό ή θάνατο.
- Εάν το εξάρτημα συνοδεύεται από την εξάρτηση, η εξάρτηση πρέπει να συνδέεται σωστά στο προϊόν. Η εξάρτηση διασφαλίζει την ασφαλή λειτουργία και αποτρέπει τον τραυματισμό του χειριστή ή άλλων ατόμων.

## Οδηγίες ασφαλείας για τη συντήρηση



**ΠΡΟΕΙΔΟΠΟΙΗΣΗ:** Προτού εκτελέσετε εργασίες συντήρησης στο προϊόν, διαβάστε τις παρακάτω προειδοποιητικές οδηγίες.

- Πρέπει να αφαιρείτε την μπαταρία προτού εκτελέσετε εργασίες συντήρησης, άλλους ελέγχους ή συναρμολόγηση του προϊόντος.
- Ο χειριστής πρέπει να εκτελεί μόνο τις εργασίες συντήρησης και σέρβις που υποδεικνύονται στο παρόν εγχειρίδιο χρήσης. Για πιο εκτεταμένες εργασίες συντήρησης και σέρβις, απευθυνθείτε στον τοπικό αντιπρόσωπο σέρβις.
- Μην καθαρίζετε την μπαταρία ή το φορτιστή μπαταρίας με νερό. Τα δραστικά απορρυπαντικά μπορεί να προκαλέσουν ζημιά στο πλαστικό.
- Εάν δεν κάνετε συντήρηση στο προϊόν, μειώνεται ο κύκλος ζωής του και αυξάνεται ο κίνδυνος ατυχημάτων.
- Απαιτείται ειδική εκπαίδευση για όλες τις εργασίες συντήρησης και επισκευής, ειδικά για τις διατάξεις ασφαλείας στο προϊόν. Αν δεν ολοκληρωθούν με επιτυχία όλοι οι έλεγχοι που περιγράφονται στο παρόν εγχειρίδιο χρήσης αφού γίνει η συντήρηση, απευθυνθείτε στον τοπικό αντιπρόσωπο σέρβις. Εγγυώμαστε ότι υπάρχει δυνατότητα επαγγελματικής επισκευής και σέρβις για το προϊόν σας.
- Χρησιμοποιείτε πάντα γνήσια ανταλλακτικά.
- Να χρησιμοποιείτε πάντα ανθεκτικά γάντια κατά την επισκευή του παρελκόμενου κοπής. Οι λεπίδες είναι πολύ κοφτερές και μπορεί εύκολα να προκαλέσουν τραυματισμούς.

---

## Συναρμολόγηση

---

### Για τη συναρμολόγηση της χειρολαβής τύπου βρόγχου

1. Τοποθετήστε τη χειρολαβή τύπου βρόγχου στον άξονα μεταξύ των βελών. Μην τοποθετείτε τη χειρολαβή τύπου βρόγχου ή το δακτύλιο ανάρτησης επάνω στην ετικέτα. (Εικ. 27)
2. Μετακινήστε τον αποστάτη μέσα στην εγκοπή της χειρολαβής τύπου βρόγχου.
3. Τοποθετήστε το παξιμάδι, τον τροχίσκο και τη βίδα, χωρίς να το σφίξετε υπερβολικά.
4. Ρυθμίστε το προϊόν σε μια άνετη θέση.
5. Σφίξτε τη βίδα.

### Για τη συναρμολόγηση του εξοπλισμού κοπής

Ο εξοπλισμός κοπής περιλαμβάνει ένα παρελκόμενο κοπής και έναν προφυλακτήρα παρελκόμενου κοπής.



**ΠΡΟΕΙΔΟΠΟΙΗΣΗ:** Χρησιμοποιείτε προστατευτικά γάντια.



**ΠΡΟΕΙΔΟΠΟΙΗΣΗ:** Χρησιμοποιείτε πάντα τον προφυλακτήρα παρελκόμενου κοπής που συνιστάται για το παρελκόμενο κοπής. Ανατρέξτε στην ενότητα *Τεχνικά στοιχεία στη σελίδα 100*.



**ΠΡΟΕΙΔΟΠΟΙΗΣΗ:** Ένα εσφαλμένα προσαρτημένο παρελκόμενο κοπής μπορεί να προκαλέσει τραυματισμό ή θάνατο.

### Τοποθέτηση του προφυλακτήρα του εξαρτήματος κοπής

1. Προσαρτήστε τον προφυλακτήρα του εξαρτήματος κοπής (A) στο άγκιστρο του στρίγιματος της βάσης (B). (Εικ. 28)
2. Τοποθετήστε τον προφυλακτήρα του εξαρτήματος κοπής στον άξονα και σφίξτε τον με το μπουλόνι (C).

### Αφαιρέστε τον προφυλακτήρα του εξαρτήματος κοπής

- Χαλαρώστε το μπουλόνι (C) και αφαιρέστε τον προφυλακτήρα του εξαρτήματος κοπής (A) από τον άξονα. (Εικ. 29)

### Συναρμολόγηση των κεφαλών χορτοκοπτικού



**ΠΡΟΕΙΔΟΠΟΙΗΣΗ:** Κατά την εγκατάσταση του εξαρτήματος κοπής είναι πολύ σημαντικό το ανυψωμένο τμήμα του δίσκου μετάδοσης/φλάντζας στήριξης να συνδεθεί σωστά στην κεντρική οπή του εξαρτήματος κοπής. Αν το εξάρτημα κοπής στερεωθεί με λάθος τρόπο, μπορεί να προκληθεί σοβαρός ή/και θανάσιμος τραυματισμός.



**ΠΡΟΕΙΔΟΠΟΙΗΣΗ:** Μην χρησιμοποιείτε ποτέ εξάρτηματα κοπής χωρίς εγκεκριμένο προστατευτικό. Ανατρέξτε στην ενότητα *Αξεσουάρ στη σελίδα 101*. Εάν τοποθετηθεί λανθασμένο ή ελαττωματικό προστατευτικό, μπορεί να προκληθεί σοβαρός τραυματισμός.

### Τοποθέτηση της κεφαλής του χορτοκοπτικού

1. Τοποθετήστε το δίσκο μετάδοσης (B) στον κινητήριο άξονα.
2. Περιστρέψτε τον κινητήριο άξονα για να ευθυγραμμίσετε μία από τις οπές στο δίσκο μετάδοσης με τη σχετική οπή στο περιβλημά γραναζιών.
3. Τοποθετήστε τον πείρο ασφάλισης (C) στην οπή για να ασφαλίσετε τον άξονα.
4. Γυρίστε την κεφαλή του χορτοκοπτικού (H) προς τα αριστερά για να τη στερεώσετε. (Εικ. 30)

### Αφαίρεση της κεφαλής του χορτοκοπτικού

1. Τοποθετήστε τον πείρο ασφάλισης (C) στην οπή για να ασφαλίσετε τον άξονα.
2. Γυρίστε την κεφαλή του χορτοκοπτικού (H) προς τα δεξιά για να την αφαιρέσετε.
3. Αφαιρέστε το δίσκο μετάδοσης (B) από τον κινητήριο άξονα. (Εικ. 30)

# Λειτουργία

## Εισαγωγή



**ΠΡΟΕΙΔΟΠΟΙΗΣΗ:** Προτού χρησιμοποιήσετε το προϊόν, διαβάστε και κατανοήστε το κεφάλαιο για την ασφάλεια.

## Για να συνδέσετε την μπαταρία στο προϊόν



**ΠΡΟΕΙΔΟΠΟΙΗΣΗ:** Στο προϊόν πρέπει να χρησιμοποιείτε μόνο γνήσιες μπαταρίες Husqvarna.

1. Βεβαιωθείτε ότι η μπαταρία είναι πλήρως φορτισμένη.
2. Σπρώξτε την μπαταρία μέσα στη θήκη της στο προϊόν. Όταν η μπαταρία ασφαλίσει στη θέση της, ακούγεται ένα χαρακτηριστικό "κλικ". (Εικ. 31)



**ΠΡΟΣΟΧΗ:** Εάν η μπαταρία δεν κινείται εύκολα μέσα στη θήκη της, αυτό σημαίνει ότι δεν έχει τοποθετηθεί σωστά. Μπορεί να προκληθεί ζημιά στο προϊόν.

3. Βεβαιωθείτε ότι η μπαταρία έχει τοποθετηθεί σωστά.

## Θέση λειτουργίας

- Να κρατάτε το προϊόν και με τα 2 χέρια
- Να κρατάτε το προϊόν στη δεξιά πλευρά του σώματός σας.
- Να διατηρείτε το εξάρτημα κοπής κάτω από το ύψος της μέσης σας.
- Μην πλησιάζετε τα μέλη του σώματός σας σε καυτές επιφάνειες.
- Μην πλησιάζετε τα μέλη του σώματός σας στο παρελκόμενο κοπής.

## Προτού χρησιμοποιήσετε το προϊόν

- Εξετάστε τον χώρο εργασίας για να βεβαιωθείτε ότι γνωρίζετε τον τύπο του εδάφους, την κλίση του εδάφους και αν υπάρχουν εμπόδια, όπως πέτρες, κλαδιά και χαντάκια.
- Πραγματοποιήστε μια γενική επιθεώρηση του προϊόντος.
- Πραγματοποιήστε τους ελέγχους ασφάλειας, συντήρησης και σέρβις που δίνονται σε αυτό το εγχειρίδιο.
- Βεβαιωθείτε ότι όλα τα καλύμματα, οι προφυλακτήρες, οι λαβές και ο εξοπλισμός κοπής είναι σωστά προσαρτημένα και δεν έχουν υποστεί ζημιά.

- Ελέγξτε τη φλάντζα στήριξης για ρωγμές. Αντικαταστήστε τη φλάντζα στήριξης, εάν έχει υποστεί ζημιά.

(Εικ. 32)

- Ελέγξτε την κεφαλή χορτοκοπτικού και τον προφυλακτήρα εξαρτήματος κοπής για φθορές ή ρωγμές. Αντικαταστήστε την κεφαλή χορτοκοπτικού και τον προφυλακτήρα εξαρτήματος κοπής εάν έχουν χτυπηθεί ή αν έχουν ρωγμές.

(Εικ. 33)

## Εκκίνηση του προϊόντος

1. Πατήστε παρατεταμένα το κουμπί εκκίνησης μέχρι να ανάψει η πράσινη λυχνία LED. (Εικ. 34)
2. Χρησιμοποιήστε τη σκανδάλη γκαζιού για να ελέγξετε την ταχύτητα.

## Περιορισμός της μέγιστης ταχύτητας με το κουμπί τρόπου λειτουργίας

Το προϊόν διαθέτει κουμπί επιλογής τρόπου λειτουργίας. Με το κουμπί τρόπου λειτουργίας, ο χειριστής μπορεί να περιορίζει τη μέγιστη ταχύτητα. Το κουμπί τρόπου λειτουργίας έχει 3 επίπεδα ταχύτητας. Όσο χαμηλότερο είναι το επίπεδο, τόσο μεγαλύτερος είναι ο χρόνος λειτουργίας του προϊόντος. Χρησιμοποιήστε τα επίπεδα 1 και 2, αν για την εργασία δεν απαιτείται η πλήρης ταχύτητα/πλήρης ισχύς. Εάν η κατάσταση λειτουργίας απαιτεί μέγιστη ταχύτητα/μέγιστη ισχύ, χρησιμοποιήστε το επίπεδο 3. Μην χρησιμοποιείτε υψηλότερο επίπεδο από αυτό που απαιτείται για τη λειτουργία.

1. Πατήστε το κουμπί τρόπου λειτουργίας για να καθορίσετε ένα όριο για τη μέγιστη ταχύτητα. Η λευκή ενδεικτική λυχνία LED ανάβει για να υποδείξει ότι η λειτουργία είναι ενεργή. (Εικ. 35)
2. Πατήστε ξανά το κουμπί τρόπου λειτουργίας για να επιλέξετε το επόμενο επίπεδο ταχύτητας.

## Λειτουργία αυτόματου τερματισμού

Το προϊόν διαθέτει λειτουργία απενεργοποίησης με την οποία το προϊόν σταματά όταν δεν χρησιμοποιείται.

## Κοπή χόρτου με κεφαλή χορτοκοπτικού

### Ξάκρισμα του γρασιδιού

1. Κρατήστε την κεφαλή χορτοκοπτικού ακριβώς πάνω από το έδαφος, υπό γωνία. (Εικ. 36) Μην πιέζετε τη μεαινέξα χορτοκοπτικού στο χορτάρι.
2. Όταν κόβετε γρασίδι κοντά σε αντικείμενα, πρέπει να ρυθμίζετε την ταχύτητα στο 80%. (Εικ. 37)



## Κοπή γρασιδιού

1. Βεβαιωθείτε ότι η μεσινέζα χορτοκοπτικού είναι παράλληλη προς το έδαφος κατά τη διάρκεια της κοπής. (Εικ. 38)
2. Μην πιέζετε την κεφαλή χορτοκοπτικού στο έδαφος. Μπορεί να προκληθεί ζημιά στο έδαφος και το προϊόν.
3. Μην αφήνετε την κεφαλή χορτοκοπτικού να έρχεται συνεχώς σε επαφή με το έδαφος, καθώς μπορεί να προκληθεί ζημιά σε αυτήν.
4. Όταν μετακινείτε το προϊόν από τη μία πλευρά στην άλλη για να κόψετε γρασίδι, πρέπει να χρησιμοποιείτε τις πλήρεις στροφές του κινητήρα. (Εικ. 39) Βεβαιωθείτε ότι η μεσινέζα χορτοκοπτικού βρίσκεται παράλληλα με το έδαφος.

## Για τον καθαρισμό του χόρτου

Η ροή αέρα από το περιστρεφόμενο καλώδιο χορτοκοπτικού μπορεί να χρησιμοποιηθεί για την αφαίρεση των κομμένων χόρτων από μια περιοχή.

1. Κρατήστε την κεφαλή του χορτοκοπτικού και το καλώδιό της παράλληλα με το έδαφος και επάνω από το έδαφος.

2. Ανοίξτε τέρμα το γκαζί.
3. Μετακινήστε την κεφαλή του χορτοκοπτικού από την μία πλευρά στην άλλη και καθαρίστε το χόρτο.



**ΠΡΟΕΙΔΟΠΟΙΗΣΗ:** Καθαρίζετε το κάλυμμα της κεφαλής χορτοκοπτικού κάθε φορά που συναρμολογείτε το νέο καλώδιο χορτοκοπτικού, ώστε να αποφεύγετε τυχόν ανισορροπία και κραδασμούς στις λαβές. Επίσης, να ελέγχετε και τα άλλα τμήματα της κεφαλής χορτοκοπτικού και να την καθαρίζετε, εάν είναι απαραίτητο.

## Διακοπή λειτουργίας του προϊόντος

1. Απελευθερώστε τη σκανδάλη γκαζιού ή την ασφάλεια της σκανδάλης γκαζιού.
2. Πατήστε το κουμπί διακοπής λειτουργίας. (Εικ. 34)
3. Πατήστε τα κουμπιά απασφάλισης της μπαταρίας και αφαιρέστε την μπαταρία. (Εικ. 40)

## Συντήρηση

### Εισαγωγή



**ΠΡΟΕΙΔΟΠΟΙΗΣΗ:** Προτού εκτελέσετε οποιαδήποτε εργασία συντήρησης, πρέπει να διαβάσετε και να κατανοήσετε το κεφάλαιο για την ασφάλεια.

### Πρόγραμμα συντήρησης



**ΠΡΟΕΙΔΟΠΟΙΗΣΗ:** Προτού εκτελέσετε εργασίες συντήρησης, πρέπει να αφαιρέσετε την μπαταρία.

Ακολουθεί μια λίστα με τα βήματα συντήρησης που πρέπει να εκτελείτε στο προϊόν.

Συντήρηση	Καθημερινά	Κάθε εβδομάδα	Κάθε μήνα
Καθαρίστε τα εξωτερικά μέρη του προϊόντος με στεγνό πανί. Μην χρησιμοποιείτε νερό.	X		
Βεβαιωθείτε ότι το κουμπί εκκίνησης/διακοπής λειτουργίας λειτουργεί σωστά και δεν έχει υποστεί ζημιά.	X		
Βεβαιωθείτε ότι η σκανδάλη γκαζιού και η λειτουργία κλειδώματος της σκανδάλης γκαζιού λειτουργούν σωστά από πλευράς ασφάλειας.	X		
Βεβαιωθείτε ότι όλα τα χειριστήρια λειτουργούν και δεν έχουν υποστεί ζημιά.	X		
Διατηρήστε τις λαβές στεγνές, καθαρές και χωρίς λάδια ή γράσο.	X		
Βεβαιωθείτε ότι το παρελκόμενο κοπής δεν έχει υποστεί ζημιά. Αντικαταστήστε το παρελκόμενο κοπής εάν έχει υποστεί ζημιά.	X		
Βεβαιωθείτε ότι το προστατευτικό του εξαρτήματος κοπής ή το μαχαίρι δεν έχει υποστεί ζημιά. Αντικαταστήστε το προστατευτικό του εξαρτήματος κοπής ή το μηχανήμα, αν έχει υποστεί ζημιά.	X		

Συντήρηση	Καθημερινά	Κάθε εβδομάδα	Κάθε μήνα
Βεβαιωθείτε ότι οι βίδες και τα παξιμάδια είναι σφιγμένα.	X		
Βεβαιωθείτε ότι τα κουμπιά απασφάλισης στην μπαταρία λειτουργούν και ασφαλίζουν την μπαταρία στο προϊόν.	X		
Βεβαιωθείτε ότι η μπαταρία δεν έχει υποστεί ζημιά.	X		
Βεβαιωθείτε ότι η μπαταρία είναι φορτισμένη.	X		
Βεβαιωθείτε ότι ο φορτιστής μπαταρίας δεν έχει υποστεί ζημιά και ότι λειτουργεί σωστά.	X		
Εξετάστε όλα τα καλώδια, τους συνδέσμους και τις συνδέσεις. Βεβαιωθείτε ότι δεν έχουν υποστεί ζημιά και ότι είναι καθαρά.		X	
Βεβαιωθείτε ότι το κωνικό γρανάζι είναι σωστά γεμισμένο με γράσο. Ανατρέξτε στην ενότητα <i>Λίπανση του κωνικού γραναζιού στη σελίδα 98</i> . Διαφορετικά, χρησιμοποιήστε το γράσο κωνικού γραναζιού Husqvarna.		X	
Ελέγξτε τις συνδέσεις μεταξύ της μπαταρίας και του προϊόντος. Ελέγξτε τη σύνδεση μεταξύ της μπαταρίας και του φορτιστή μπαταρίας.			X

## Για να καθαρίσετε το προϊόν, την μπαταρία και το φορτιστή της μπαταρίας

1. Πρέπει να καθαρίζετε το προϊόν με στεγνό πανί μετά από κάθε χρήση.
2. Καθαρίστε την μπαταρία και τον φορτιστή της μπαταρίας με ένα στεγνό πανί. Διατηρήστε τις ράβδους οδήγησης της μπαταρίας καθαρές.
3. Βεβαιωθείτε ότι οι πόλοι της μπαταρίας και οι ακροδέκτες του φορτιστή της μπαταρίας είναι καθαροί προτού τοποθετήσετε την μπαταρία μέσα στο φορτιστή ή στο προϊόν.

## Λίπανση του κωνικού γραναζιού

1. Αφαιρέστε τον εξοπλισμό κοπής.
2. Τοποθετήστε το προϊόν με την τάπα γράσου στην υψηλότερη θέση του.

3. Αφαιρέστε την τάπα γράσου. (Εικ. 41)
4. Κοιτάξτε μέσα στην οπή της τάπας γράσου και περιστρέψτε τον άξονα μετάδοσης κίνησης. Η στάθμη γράσου (A) πρέπει να είναι στο ίδιο επίπεδο με το πάνω μέρος των οδοντωτών γραναζιών (B). (Εικ. 42)
5. Εάν η στάθμη του γράσου είναι πολύ χαμηλή, γεμίστε το κωνικό γρανάζι με Husqvarna γράσο κωνικού γραναζιού. Γεμίστε αργά και περιστρέψτε τον άξονα μετάδοσης κίνησης καθώς εφαρμόζετε το γράσο του κωνικού γραναζιού. Σταματήστε στη σωστή στάθμη (B).



**ΠΡΟΣΟΧΗ:** Η εσφαλμένη ποσότητα γράσου μπορεί να προκαλέσει ζημιά στο κωνικό γρανάζι.

6. Τοποθετήστε την τάπα γράσου.

## Αντιμετώπιση προβλημάτων

### Στοιχεία αλληλεπίδρασης με το χρήστη

Πρόβλημα	Πιθανά σφάλματα	Πιθανή ενέργεια
Η ενδεικτική λυχνία LED της μπαταρίας αναβοσβήνει με πορτοκαλί χρώμα	Χαμηλή τάση μπαταρίας.	Φορτίστε την μπαταρία.

Πρόβλημα	Πιθανά σφάλματα	Πιθανή ενέργεια
Η ενδεικτική λυχνία LED σφάλματος αναβοσβήνει με κόκκινο χρώμα	Υπερφόρτωση.	Το παρελκόμενο κοπής έχει κολλήσει. Διακόψτε τη λειτουργία του προϊόντος. Αφαιρέστε την μπαταρία. Καθαρίστε το εξάρτημα κοπής από ανεπιθύμητα υλικά.
	Απόκλιση θερμοκρασίας.	Αφήστε το προϊόν να κρυώσει.
	Η σκανδάλη γκαζιού και το πλήκτρο ενεργοποίησης ενεργοποιούνται ταυτόχρονα.	Αφήστε τη σκανδάλη γκαζιού και το προϊόν να ενεργοποιηθεί.
Το προϊόν δεν εκκινεί	Ρύποι στους συνδέσμους μπαταρίας.	Καθαρίστε τους συνδέσμους της μπαταρίας με πιεσιμένο αέρα ή με μια μαλακή βούρτσά.
Η ενδεικτική λυχνία LED σφάλματος ανάβει με κόκκινο χρώμα.	Το προϊόν χρειάζεται σέρβις.	Επικοινωνήστε με τον αντιπρόσωπο σέρβις.

## Μεταφορά, αποθήκευση και απόρριψη

### Μεταφορά και αποθήκευση

- Οι παρεχόμενες μπαταρίες ιόντων λιθίου πληρούν όλες τις απαιτήσεις της νομοθεσίας περί επικινδύνων εμπορευμάτων.
- Πρέπει να τηρείτε τις ειδικές απαιτήσεις που αναγράφονται στη συσκευασία και στις ετικέτες σχετικά με την εμπορική μεταφορά. Οι απαιτήσεις αυτές πρέπει επίσης να τηρούνται από οποιοσδήποτε τρίτους και από τους διαμετακομιστές.
- Απευθυνθείτε σε ένα άτομο ειδικά εκπαιδευμένο στα επικίνδυνα υλικά προτού στείλετε το προϊόν. Να τηρείτε όλους τους ισχύοντες εθνικούς κανονισμούς.
- Αν συσκευάσετε την μπαταρία, χρησιμοποιήστε ταινία πάνω στις ακάλυπτες επαφές. Σφηνώστε την μπαταρία μέσα στο πακέτο για να αποτρέψετε τυχόν μετακινήσεις.
- Κατά τη φύλαξη ή τη μεταφορά του προϊόντος πρέπει πάντα να αφαιρείτε την μπαταρία.
- Τοποθετήστε την μπαταρία και τον φορτιστή της μπαταρίας σε χώρο στεγνό και προστατευμένο από την υγρασία και τον παγετό.
- Μην αποθηκεύετε την μπαταρία σε χώρους όπου ενδέχεται να προκληθεί στατικός ηλεκτρισμός. Μην αποθηκεύετε την μπαταρία σε μεταλλικό κουτί.
- Η αποθήκευση της μπαταρίας πρέπει να γίνεται σε σημεία με θερμοκρασία μεταξύ 5 °C /41 °F και 25 °C/77 °F και μακριά από το άμεσο ηλιακό φως.
- Η αποθήκευση του φορτιστή της μπαταρίας πρέπει να γίνεται σε σημεία με θερμοκρασία μεταξύ 5 °C/41 °F και 45 °C/113 °F και μακριά από το άμεσο ηλιακό φως.
- Ο φορτιστής της μπαταρίας πρέπει να χρησιμοποιείται μόνο όταν η θερμοκρασία

περιβάλλοντος είναι μεταξύ 5 °C/41 °F και 40 °C/104 °F.

- Φορτίστε την μπαταρία κατά 30% έως 50% προτού την αποθηκεύσετε για μεγάλο χρονικό διάστημα.
- Η αποθήκευση του φορτιστή της μπαταρίας πρέπει να γίνεται σε χώρο κλειστό και στεγνό.
- Μην αποθηκεύετε την μπαταρία μαζί με τον φορτιστή. Μην επιτρέπετε να αγγίζουν τον εξοπλισμό παιδιά και άλλα μη εγκεκριμένα άτομα. Διατηρείτε τον εξοπλισμό σε χώρο που μπορείτε να κλειδώσετε.
- Προτού αποθηκεύσετε το προϊόν για μεγάλο χρονικό διάστημα, πρέπει να το καθαρίζετε και να εκτελείτε πλήρες σέρβις.
- Για να αποφύγετε τραυματισμούς ή ζημιές στο προϊόν κατά τη μεταφορά και την αποθήκευση, χρησιμοποιήστε το προστατευτικό μεταφοράς.
- Κατά τη μεταφορά, πρέπει να στερεώνετε καλά το προϊόν.

### Απόρριψη της μπαταρίας, του φορτιστή μπαταρίας και του προϊόντος

Τα σύμβολα που υπάρχουν επάνω στο προϊόν ή στη συσκευασία του υποδεικνύουν ότι το προϊόν δεν αποτελεί οικιακό απόρριμμα. Ανακυκλώστε το σε κέντρο ανακύκλωσης ηλεκτρικού και ηλεκτρονικού εξοπλισμού. Με αυτόν τον τρόπο συμβάλλετε στην προστασία του περιβάλλοντος και των ανθρώπων.

Απευθυνθείτε στις τοπικές αρχές, στην υπηρεσία αποκομιδής οικιακών απορριμμάτων ή στον αντιπρόσωπο για περισσότερες πληροφορίες σχετικά με την ανακύκλωση του προϊόντος.

## Τεχνικά στοιχεία

### Τεχνικά στοιχεία

	<b>325iL</b>
<b>Μοτέρ</b>	
Τύπος μοτέρ	BLDC (χωρίς ψήκτρες) 36V
Ταχύτητα κινητήριου άξονα, 1 σ.α.λ	5800
Πλάτος κοπής, mm	420
<b>Βάρος</b>	
Βάρος χωρίς μπαταρία και εξάρτημα κοπής, kg	3,0
<b>Εκπομπές θορύβου</b> <sup>16</sup>	
Στάθμη ηχητικής ισχύος, μετρούμενη τιμή σε dB (A)	93
Στάθμη ηχητικής ισχύος, εγγυημένη, L <sub>WA</sub> σε dB (A)	96
<b>Επίπεδα θορύβου</b> <sup>17</sup>	
Ισοδύναμη ηχητική πίεση στο αυτί του χειριστή, μετρημένη κατά ISO 22868, dB (A):	
Εξοπλισμένο με κεφαλή χορτοκοπτικού (εργοστασιακό εξάρτημα)	84
<b>Στάθμες κραδασμών</b> <sup>18</sup>	
Επίπεδα δονήσεων στις λαβές, μετρημένα κατά ISO 22867, m/s <sup>2</sup>	
Εξοπλισμένο με κεφαλή χορτοκοπτικού (γνήσιο εξάρτημα), εμπρός/πίσω, m/s <sup>2</sup>	4,3/2,9

### Εγκεκριμένες μπαταρίες

<b>Μπαταρία</b>	<b>BLi 200</b>
Τύπος	Ιόντων λιθίου
Χωρητικότητα μπαταρίας, Ah	5,2

<sup>16</sup> Οι εκπομπές θορύβου στο περιβάλλον μετρούνται ως ηχητική ισχύς (LWA) σε συμμόρφωση με την Οδηγία 2000/14/ΕΚ. Η καταγεγραμμένη στάθμη θορύβου για το μηχάνημα έχει μετρηθεί με το γνήσιο εξάρτημα κοπής, που δίνει την υψηλότερη στάθμη. Η διαφορά μεταξύ της εγγυημένης και της μετρούμενης ηχητικής ισχύος είναι ότι η εγγυημένη ηχητική ισχύς περιλαμβάνει επίσης τη διασπορά στο αποτέλεσμα της μέτρησης και τις αποκλίσεις μεταξύ των διαφορετικών μηχανημάτων του ίδιου μοντέλου σύμφωνα με την Οδηγία 2000/14/ΕΚ.

<sup>17</sup> Τα καταγεγραμμένα στοιχεία για τη στάθμη ηχητικής πίεσης του μηχανήματος παρουσιάζουν τυπική στατιστική διασπορά (τυπική απόκλιση) 3 dB (A). Η μέτρηση έχει γίνει με το αρχικό παρελκόμενο, το οποίο παρέχει την υψηλότερη στάθμη.

<sup>18</sup> Τα καταγεγραμμένα στοιχεία για τη στάθμη κραδασμών έχουν τυπική στατιστική διασπορά (τυπική απόκλιση) ίση με 2 m/s<sup>2</sup>. Για σύγκριση της στάθμης κραδασμών στα προϊόντα με μπαταρία και με κινητήρα εσωτερικής καύσης, χρησιμοποιήστε τη σελίδα υπολογισμού κραδασμών στη διεύθυνση <https://www.husqvarna.com/uk/services-solutions/vibration-calculator/>.

<b>Μπαταρία</b>	<b>BLI 200</b>
Ονομαστική τάση, V	36
Βάρος, kg (lb)	1,3 (2,9)

### Εγκεκριμένοι φορτιστές μπαταρίας

<b>Φορπιστής μπαταρίας</b>	<b>QC330</b>
Τάση εισόδου, V	100-240
Συχνότητα, Hz	50-60
Ισχύς, W	330

---

## Αξεσουάρ

---

### Αξεσουάρ

Εγκεκριμένα αξεσουάρ	Τύπος αξεσουάρ	Προφυλακτήρας εξαρτήματος κοπής, κωδ. πρ.
Κεντρική οπή σε λεπίδες/μαχαίρια, Ø 25,4		
Σπείρωμα άξονα μετάδοσης M10		
Κεφαλή χορτοκοπτικού	T35 (μεσινέζα χορτοκοπτικού Whisper twist, μέγ. Ø 2,4 mm)	597 01 62-02

## Δήλωση Συμμόρφωσης

### Δήλωση συμμόρφωσης ΕΕ

Εμείς, η **Husqvarna AB**, SE-561 82 Huskvarna, Σουηδία,  
τηλ.: +46-36-146500, δηλώνουμε με αποκλειστική μας  
ευθύνη ότι το προϊόν:

<b>Περιγραφή</b>	Χορτοκοπτικό με μπαταρία
<b>Μάρκα</b>	Husqvarna
<b>Τύπος / Μοντέλο</b>	325iL
<b>Αναγνώριση</b>	Αριθμοί σειράς με ημερομηνία από το 2023 και έπειτα

συμμορφώνεται πλήρως με τις ακόλουθες οδηγίες και  
τους κανονισμούς της ΕΕ:

<b>Οδηγία/Κανονισμός</b>	<b>Περιγραφή</b>
2006/42/EK	"σχετικά με τα μηχανήματα"
2014/30/EMC	"σχετικά με την ηλεκτρομαγνητική συμβατότητα"
2011/65/EE	"σχετικά με τον περιορισμό των επικίνδυνων ουσιών"
2000/14/EK	"σχετικά με τον θόρυβο σε εξωτερικούς χώρους"

και ότι εφαρμόζονται τα παρακάτω πρότυπα ή/και  
τεχνικές προδιαγραφές: EN 62841-1:2015/AC:2015, EN  
62841-4-4 (IEC 62841-4-4:2020), EN 61000-6-1:2007  
(Immunity), EN 61000-6-3:2007/A1:2011/AC:2012  
(Emission).



Η RISE SMP Svensk Maskinprovning AB, Box  
4053, SE-904 03 Umeå, Sweden έχει διεξαγάγει  
εθελοντικά εξέταση τύπου σύμφωνα με το παράρτημα  
IX της οδηγίας 2006/42/EK. Αριθμός πιστοποιητικού:  
SEC/23/2579.

Η Notified body: 0404, RISE SMP Svensk  
Maskinprovning AB, Box 4053, SE-904 03 Umeå,  
Sweden έχει επίσης επαληθεύσει τη συμβατότητα με το  
παράρτημα VI της οδηγίας 2000/14/EK του Συμβουλίου.

Για πληροφορίες σχετικά με τις εκπομπές θορύβου,  
ανατρέξτε στην ενότητα *Τεχνικά στοιχεία στη σελίδα 100*.

Huskvarna, 2022-12-01

Stefan Holmberg, Διευθυντής Έρευνας και Ανάπτυξης,  
Διαχείριση τεχνολογίας, Husqvarna AB

Υπεύθυνος για την τεχνική τεκμηρίωση

---

## Contenido

---

Introducción.....	103	Transporte, almacenamiento y eliminación.....	115
Seguridad.....	104	Datos técnicos.....	116
Montaje.....	111	Accesorios.....	117
Funcionamiento.....	112	Declaración de conformidad.....	118
Mantenimiento.....	113	Apéndice .....	447
Resolución de problemas.....	114		

---

## Introducción

---

### Descripción del producto

Husqvarna 325iL es una recortadora de césped de batería con un motor eléctrico.

Trabajamos constantemente para mejorar la seguridad y la eficiencia durante el uso del producto. Póngase en contacto con su distribuidor para obtener más información.

### Uso previsto

Utilice el producto con un cabezal de corte para cortar distintos tipos de vegetación. No utilice el producto para otras tareas diferentes a cortar o desbrozar hierba.

### Descripción del producto

(Fig. 1)

1. Manual de usuario
2. Engranaje angulado
3. Orificio para el pasador de bloqueo
4. Cabezal de corte
5. Protección del equipo de corte
6. Disco de arrastre
7. Llave combinada
8. Asa cerrada
9. Cierre
10. Tubo
11. Pasador de seguridad
12. Indicador LED de advertencia
13. Interruptor de encendido/apagado
14. Botón de modo de velocidad
15. Bloqueo del gatillo de alimentación
16. Interfaz de usuario
17. Gatillo de alimentación
18. Cable del cargador de batería
19. Cargador de batería
20. LED de encendido y advertencia
21. Botones para extraer la batería
22. Batería
23. Indicador LED del estado de carga
24. LED de advertencia
25. Botón del indicador de la batería

**Nota:** El uso podría estar regulado por los reglamentos nacionales o locales. Observe los reglamentos indicados.

---

Utilice el producto solo con accesorios homologados por el fabricante. Consulte *Accesorios en la página 117*.

### Símbolos que aparecen en el producto

- (Fig. 2) ADVERTENCIA: Este producto puede ser peligroso. Un uso descuidado o negligente puede provocar heridas graves o mortales al usuario o terceros. Es sumamente importante que lea y comprenda el contenido de este manual de usuario. Lea detenidamente el manual de usuario y asegúrese de entender su contenido antes de utilizar el producto.
- (Fig. 3) Utilice protectores auriculares homologados. Utilice protección ocular homologada.
- (Fig. 4) Velocidad máxima o velocidad sin carga.
- XXXX /min o  $\text{min}^{-1}$  | Revoluciones o movimientos alternativos por minuto.
- (Fig. 5) Tensión nominal, V
- (Fig. 6) Corriente continua.
- (Fig. 7) El producto cumple con las directivas CE vigentes.
-

- (Fig. 8) Este producto cumple con las directivas del Reino Unido vigentes.
- (Fig. 9) Utilice guantes protectores homologados.
- (Fig. 10) Utilice botas de trabajo antideslizantes
- (Fig. 11) Utilice únicamente un equipo de corte no metálico y flexible.
- (Fig. 12) Los símbolos del producto o del embalaje indican que este producto no puede desecharse como residuo doméstico. El producto debe depositarse en las instalaciones de reciclaje correspondientes.
- (Fig. 13) El equipo puede hacer que salgan despedidos objetos con mucha fuerza que pueden rebotar. Si no se utiliza el equipo de seguridad recomendado, se pueden producir daños oculares graves.
- (Fig. 14) Desconecte la batería antes de realizar cualquier trabajo de mantenimiento.
- (Fig. 15) El producto está protegido frente a las salpicaduras de agua.
- (Fig. 16) Mantenga todas las partes del cuerpo alejadas de las superficies calientes.
- (Fig. 17) Etiqueta de emisiones sonoras al medioambiente conforme con las directivas y normativas europeas y del Reino Unido, y con la regulación de 2017 de protección del medioambiente (control de ruidos) (Protection of the Environment Operations - Noise Control) de la legislación de Nueva Gales del Sur. El nivel de potencia acústica garantizado del producto se especifica en el apartado *Datos técnicos en la página 116.*

aaaassxxxx

En la placa de características técnicas se indica el número de serie, **aaaa** es el año de producción, **ss** es la semana de producción y **xxxx** es el número secuencial.

(Fig. 18)

El usuario debe asegurarse de que ninguna persona ni ningún animal se acerquen a menos de 15 metros. Cuando haya varios operarios trabajando en el mismo lugar, la distancia de seguridad entre ellos debe ser de 15 metros.

**Nota:** Los demás símbolos y etiquetas que aparecen en el producto corresponden a requisitos de homologación específicos en otras zonas comerciales.

## Daños en el producto

No nos hacemos responsables de los daños que pueda sufrir el producto si:

- El producto se ha reparado incorrectamente.
- El producto se ha reparado con piezas que no eran del fabricante o no autorizadas por el fabricante.
- El producto tiene un accesorio que no es del fabricante o no está autorizado por este.
- El producto no se ha reparado en un centro de servicio autorizado o por un organismo homologado.

## Seguridad

### Definiciones de seguridad

Las advertencias, precauciones y notas se utilizan para destacar información especialmente importante del manual.



**ADVERTENCIA:** Indica un riesgo de lesiones o incluso de muerte del usuario o de las personas cercanas si no se respetan las instrucciones del manual.



**PRECAUCIÓN:** Indica un riesgo de daños en el producto, otros materiales o

el área adyacente si no se respetan las instrucciones del manual.

**Nota:** Se usa para proporcionar más información necesaria en una situación determinada.

### Advertencias generales de seguridad relacionadas con la herramienta eléctrica



**ADVERTENCIA:** Lea todas las advertencias de seguridad, instrucciones, ilustraciones y especificaciones que se



### suministran con esta herramienta eléctrica.

Si no se siguen las instrucciones que aparecen a continuación, puede producirse una descarga eléctrica, un incendio o lesiones graves.

- **Conservar todas las advertencias e instrucciones para su consulta.** El término «herramienta eléctrica» empleado en las advertencias hace referencia a una herramienta eléctrica que funciona con conexión a la red de suministro (con cable) o a una herramienta que funciona con batería (sin cable).

## Seguridad en el área de trabajo

- **Mantenga el área de trabajo limpia y bien iluminada.** Las zonas abarrotadas de cosas u oscuras favorecen los accidentes.
- **No maneje herramientas eléctricas en ambientes explosivos como aquellos en los que hay líquidos, gases o polvo inflamables.** Las herramientas eléctricas producen chispas que pueden inflamar el polvo o los vapores.
- **Mantenga alejados a los niños y a otras personas mientras trabaje con una herramienta eléctrica.** Las distracciones pueden hacer que pierda el control de esta.

## Seguridad eléctrica

- **Los enchufes de las herramientas eléctricas deben corresponder a la toma de corriente utilizada. Nunca modifique el enchufe. No utilice adaptadores para las herramientas eléctricas con conexión a tierra.** Los enchufes sin modificar y las tomas de corriente del mismo tipo ayudan a reducir el riesgo de descarga eléctrica.
- **Evite el contacto de su cuerpo con superficies puestas a tierra como tuberías, radiadores, cocinas y neveras.** Si su cuerpo está en contacto con el suelo, existe un mayor riesgo de descarga eléctrica.
- **No esponga las herramientas eléctricas a la lluvia o a ambientes húmedos.** El riesgo de recibir descargas eléctricas aumentará si penetra agua en la herramienta eléctrica.
- **Maneje el cable con cuidado. No lo utilice nunca para transportar, tirar o desconectar la herramienta eléctrica. Manténgalo alejado de fuentes de calor, aceite, aristas vivas o piezas móviles.** Los cables dañados o enredados incrementan el riesgo de descarga eléctrica.
- **Cuando trabaje con una herramienta eléctrica en exteriores, utilice un alargador indicado para este uso.** Utilizar un cable adecuado para su uso en exteriores reduce el riesgo de descarga eléctrica.
- **Si es necesario utilizar una herramienta eléctrica en un lugar húmedo, utilice suministro eléctrico protegido con un interruptor diferencial.** La utilización de un interruptor diferencial reduce el riesgo de descargas eléctricas.

## Seguridad personal

- **Esté siempre atento, fíjese en lo que está haciendo y utilice el sentido común cuando maneje una herramienta eléctrica. No utilice herramientas eléctricas si está cansado o bajo los efectos de estupefacientes, alcohol o medicamentos.** Un momento de descuido, mientras se trabaja con herramientas eléctricas, puede causar lesiones graves.
  - **Utilice el equipo de protección individual. Protéjase siempre los ojos.** El equipo de protección, como la mascarilla antipolvo, los zapatos de seguridad antideslizantes, el casco o los protectores auditivos, utilizados en función de las condiciones de trabajo, reducirá el riesgo de lesiones.
  - **Evite el encendido accidental de la herramienta. Asegúrese de que el interruptor está en la posición de apagado antes de conectar la máquina a la fuente de alimentación o la batería, cogerla o transportarla.** Transportar herramientas eléctricas con el dedo puesto sobre el interruptor o encenderlas con el interruptor en la posición de encendido puede provocar accidentes.
  - **Quite todas las clavijas de ajuste o llaves de tuercas antes de encender la herramienta eléctrica.** Una llave de tuercas o clavija de ajuste que se ha dejado colocada en una pieza giratoria de la herramienta eléctrica puede causar lesiones.
  - **No se estire demasiado. Mantenga una posición correcta y el equilibrio en todo momento.** Esto le permitirá controlar mejor la herramienta eléctrica en situaciones imprevistas.
  - **Utilice la ropa adecuada. No utilice nunca ropa amplia ni joyas. Mantenga el pelo y la ropa alejados de las piezas móviles.** La ropa holgada, las joyas o el pelo largo pueden quedar atrapados en las piezas móviles.
  - **Si se suministran equipos de aspiración o captación de polvo, asegúrese de que estén conectados y se utilicen correctamente.** El uso de estos equipos puede reducir los riesgos derivados del polvo.
  - **Evite que la familiaridad adquirida con el uso frecuente de las herramientas le lleve a confiarse e ignorar las medidas de seguridad al utilizarlas.** Una acción negligente puede causar lesiones graves en una fracción de segundo.
- ## Uso y cuidado de la herramienta eléctrica
- **No sobrecargue la herramienta eléctrica. Utilice la herramienta eléctrica adecuada para el trabajo que debe realizar.** Con la herramienta eléctrica apropiada hará el trabajo mejor y con mayor seguridad a la potencia para la que fue diseñada.
  - **No utilice la herramienta eléctrica si el interruptor no funciona.** Las herramientas que no se puedan controlar con el interruptor son peligrosas y deben repararse.
  - **Desconecte el enchufe de la fuente de alimentación o quite la batería (si se puede desmontar) de la**

herramienta eléctrica antes de realizar cualquier ajuste, cambiar accesorios o guardarla. Estas medidas de seguridad preventivas reducen el riesgo de encendido accidental de la herramienta eléctrica.

- **Guarde las herramientas eléctricas que no se utilicen fuera del alcance de los niños y no permita que personas no familiarizadas con su uso o con estas instrucciones las manejen.** Las herramientas eléctricas resultan peligrosas en manos de usuarios no cualificados.
- **Compruebe que las herramientas eléctricas y los accesorios están a punto. Compruebe que no haya partes móviles mal alineadas o trabadas, piezas rotas o cualquier otra circunstancia que pueda afectar al funcionamiento de la herramienta eléctrica. Si detecta daños, haga reparar la herramienta eléctrica antes de utilizarla.** Muchos accidentes se deben al uso de herramientas eléctricas que carecen de un mantenimiento adecuado.
- **Mantenga las herramientas de corte afiladas y limpias.** Las herramientas de corte con aristas afiladas y un mantenimiento adecuado tienen menos probabilidades de trabarse y son más fáciles de controlar.
- **Utilice la herramienta eléctrica, los accesorios, útiles, etc. según se indica en estas instrucciones, teniendo en cuenta las condiciones de trabajo y la tarea que debe realizar.** El uso de la herramienta eléctrica para trabajos distintos a aquellos para los que fue diseñada podría dar lugar a situaciones peligrosas.
- **Mantenga los mangos y superficies de agarre secos, limpios y sin aceite ni grasa.** Las superficies de agarre y los mangos resbaladizos no permiten manejar y controlar de forma segura la herramienta ante cualquier imprevisto.

## Uso y cuidado de la herramienta a batería

- **Efectúe las recargas únicamente con el cargador especificado por el fabricante.** Un cargador apto para un tipo de batería puede comportar riesgo de incendio al utilizarse con otra batería distinta.
- **Utilice las herramientas eléctricas únicamente con las baterías específicas para ellas.** El uso de otra batería puede comportar riesgo de lesiones e incendio.
- **Cuando no utilice la batería, manténgala alejada de objetos metálicos pequeños que puedan conectar un terminal con otro, como clips, monedas, llaves, clavos, tornillos, etc.** Un cortocircuito en los terminales de la batería puede causar quemaduras o un incendio.
- **En condiciones extremas, el líquido puede salir expulsado de la batería; evite cualquier contacto con él. Si se produjera un contacto accidentalmente, enjuáguese con agua. Además, si el líquido entra en contacto con los ojos, busque asistencia médica.** El líquido expulsado de la batería puede causar irritaciones o quemaduras.

- **No utilice una batería o herramienta defectuosa, dañada o modificada.** Las baterías dañadas o modificadas pueden comportarse de forma impredecible y provocar incendios, explosiones o lesiones.
- **No exponga la batería o la herramienta al fuego ni a temperaturas excesivas.** La exposición al fuego o a temperaturas superiores a 130 °C/266 °F puede causar una explosión.
- **Siga todas las instrucciones de carga y no cargue la batería o la herramienta fuera del intervalo de temperaturas especificado en las instrucciones.** La carga incorrecta o a temperaturas fuera del intervalo especificado puede dañar la batería y aumentar el riesgo de incendio.

## Servicio técnico

- **Solicite que su herramienta eléctrica sea reparada por personal cualificado y utilizando únicamente piezas de repuesto originales.** Esto garantizará la seguridad de la herramienta.
- **No revise baterías dañadas.** La revisión de las baterías solo debe realizarla el fabricante o proveedores de servicios autorizados.

## Advertencias de seguridad sobre recortadoras de césped, desbrozadoras y cortamalezas

- **No utilice la máquina con condiciones meteorológicas adversas, especialmente si hay riesgo de tormenta eléctrica.** Así disminuirá el riesgo de recibir un rayo.
- **Inspeccione a fondo la zona donde se va a utilizar la máquina por si hubiera animales.** La máquina puede lesionar a los animales durante su funcionamiento.
- **Inspeccione a fondo la zona donde va a utilizar la máquina y retire todas las piedras, palos, alambres, huesos y cualquier otro objeto extraño.** Los objetos que salen despedidos pueden provocar lesiones.
- **Antes de utilizar la máquina, realice siempre una inspección visual para comprobar que el disco o cuchilla y el conjunto de disco o cuchilla no están dañados.** Las piezas dañadas aumentan el riesgo de lesiones.
- **Siga las instrucciones de cambio de accesorios.** Si las tuercas o pernos de fijación de la cuchilla no se aprietan correctamente, la cuchilla puede dañarse o soltarse.
- **La velocidad nominal de rotación del disco indicada por el fabricante debe ser como mínimo igual a la velocidad de rotación máxima indicada en la máquina.** Los discos que giran a una velocidad superior a su velocidad de rotación nominal pueden romperse y salir despedidos.
- **Utilice protección para los ojos, los oídos, la cabeza y las manos.** Un equipo de protección adecuado reducirá los daños personales producidos por fragmentos desprendidos o por un contacto accidental con el disco o el hilo de corte.

- **Durante el funcionamiento de la máquina, lleve siempre calzado de protección antideslizante. No use la máquina descalzo o con sandalias abiertas.** Así reducirá la posibilidad de sufrir lesiones en los pies por contacto con el disco, el hilo o la cuchilla.
- **Cuando utilice la máquina, use siempre pantalones largos.** La piel expuesta aumenta la probabilidad de sufrir lesiones por objetos que pueden salir despedidos.
- **Mantenga a los transeúntes alejados mientras trabaja con la máquina.** Los restos que salen despedidos pueden provocar graves lesiones.
- **Utilice siempre las dos manos para trabajar con la máquina.** Sujete la máquina con las dos manos para evitar la pérdida del control.
- **Sujete la máquina únicamente por las superficies de agarre aisladas, ya que la línea de corte o el disco pueden entrar en contacto con algún cable oculto.** Si la línea de corte o el disco entra en contacto con un cable con tensión, es posible que las piezas metálicas expuestas de la máquina conduzcan la corriente y pueden hacer que el usuario sufra una descarga eléctrica.
- **Mantenga en todo momento una posición correcta de los pies, con un buen apoyo, y utilice el producto únicamente cuando se encuentre de pie sobre terreno firme.** Una superficie inestable o resbaladiza podría hacerle perder el equilibrio o el control de la máquina.
- **No opere la máquina en pendientes excesivamente pronunciadas.** Así reducirá el riesgo de perder el control, resbalar o caer, lo que puede provocar lesiones.
- **Cuando trabaje en pendientes, asegúrese siempre de tener los pies firmemente asentados, trabaje siempre en perpendicular a la superficie de las pendientes, nunca hacia arriba o hacia abajo, y extreme la precaución al cambiar de dirección.** Así reducirá el riesgo de perder el control, resbalar o caer, lo que puede provocar lesiones.
- **Mantenga todas las partes del cuerpo alejadas del disco, hilo o cuchilla cuando la máquina esté en funcionamiento. Antes de arrancar la máquina, asegúrese de que el disco, el hilo o la cuchilla no estén en contacto con nada.** Un momento de descuido mientras se usa la máquina puede causar lesiones graves.
- **No use la máquina por encima de la altura de la cintura.** De esta manera, se evita el contacto involuntario con el disco o cuchilla y se tiene un control mayor de la máquina en caso de imprevistos.
- **Preste especial atención a las reculadas al cortar broza y árboles jóvenes sometidos a tensión.** Cuando la tensión de las fibras de la madera se libera, la broza o el árbol joven puede golpear al usuario y provocar la pérdida del control de la máquina.
- **Sea especialmente cauto al cortar broza y árboles jóvenes.** Las ramas delgadas pueden trabarse en el disco y golpearle o hacerle perder el equilibrio.
- **Mantenga el control de la máquina y no toque los discos, hilos o cuchillas ni otras piezas móviles peligrosas mientras todavía estén en movimiento.** Así reducirá el riesgo de sufrir lesiones por contacto con piezas móviles.
- **Al retirar el material atascado o realizar el mantenimiento de la máquina, asegúrese de que todos los interruptores de alimentación estén apagados y el cable de alimentación está desenchufado.** El accionamiento inesperado de la máquina mientras retira el material atascado o efectúa tareas de mantenimiento puede provocar lesiones graves.
- **Transporte siempre la máquina apagada y alejada del cuerpo.** El manejo correcto de la máquina reducirá las posibilidades de contacto accidental con un disco, una cuchilla o un hilo de corte en movimiento.
- **Cuando vaya a transportar o almacenar la máquina, ponga siempre la cubierta sobre el disco o las cuchillas metálicas.** Manipular la máquina de manera adecuada reducirá la posibilidad de sufrir un contacto accidental con el disco o cuchilla.
- **Utilice únicamente cuchillas, hilos, cabezales de corte y discos de repuesto especificados por el fabricante.** El uso de piezas de repuesto incorrectas aumenta el riesgo de avería y lesiones.

### Otra información de seguridad general

- Si va a trasladarse de un lugar a otro, apague primero el producto. No olvide extraer la batería cuando vaya a dejar el producto a otra persona.
- Nunca deje el producto en el suelo, a menos que lo haya apagado y extraído la batería. No deje el producto desatendido mientras esté en funcionamiento.
- La herramienta de corte no se detiene inmediatamente después de apagar el producto.
- Antes de usar el producto, y después de cualquier impacto, compruebe que no hay signos de desgaste o daños y, si fuera necesario, repárelo.
- Si algo se atasca en el equipo de corte mientras trabaja con el producto, deténgalo y apáguelo. Asegúrese de que el equipo de corte se detiene por completo. Quite la batería antes de limpiar, inspeccionar o reparar el producto o el equipo de corte.
- Compruebe el producto antes de utilizarlo. Consulte *Dispositivos de seguridad en el producto en la página 109 y Mantenimiento en la página 113*. No utilice un producto defectuoso. Lleve a cabo las comprobaciones de seguridad y siga las instrucciones de mantenimiento y servicio descritas en este manual.
- Un equipo de corte defectuoso puede aumentar el riesgo de accidentes.
- Compruebe que el engranaje no tenga suciedad ni grietas. Limpie el engranaje de hierba y hojas con un cepillo. Se deben utilizar guantes cuando sea necesario.

- Asegúrese de que las aberturas de ventilación no presentan residuos en ningún momento.
- Compruebe que el cabezal de corte está bien acoplado a la recortadora.
- Todas las tapas, protecciones y asas deben estar montadas antes de arrancar la máquina.
- Compruebe que el producto esté en perfecto estado de funcionamiento. Verifique que todas las tuercas y tornillos estén apretados.
- Asegúrese de que el cabezal de corte y la protección de la recortadora no estén dañados ni presenten grietas. Cambie el cabezal de corte o la protección de la recortadora si han recibido golpes o están agrietados. Utilice siempre la protección recomendada para cada equipo de corte en particular. Consulte *Accesorios en la página 117*.
- Este producto es una herramienta peligrosa si no se usa con cuidado o si se utiliza de forma incorrecta. Este producto puede ocasionar lesiones graves o mortales tanto al usuario como a cualquier otra persona.
- Este aparato no debe ser utilizado por personas (incluidos niños) con habilidades físicas, sensoriales o mentales reducidas, o con falta de experiencia y conocimientos, a menos que lo hagan bajo supervisión o reciban instrucción en relación con el uso del aparato por parte de una persona responsable de su seguridad. Debe vigilarse a los niños para asegurarse de que no juegan con el aparato.
- No permita nunca que los niños utilicen la máquina ni permanezcan cerca de ella. La máquina es muy fácil de arrancar y los niños podrían hacerlo si no se les vigila lo suficiente. lo que supone un riesgo de daños personales graves. Por consiguiente, desconecte la batería cuando la máquina no esté bajo supervisión.
- No permita nunca que los niños ni otras personas sin formación utilicen o reparen el producto o su batería.
- Guarde el equipo en un lugar seguro fuera del alcance de los niños y las personas no autorizadas.
- Mantenga las manos y los pies lejos del área de corte en todo momento y, especialmente, al encender el motor.
- Cuando se apague el producto, mantenga las manos y los pies alejados del equipo de corte hasta que se haya detenido por completo.
- No retire el material cortado ni permita que otras personas lo retiren con el producto en marcha o el equipo de corte en funcionamiento; esto puede dar lugar a lesiones graves.
- Tenga en cuenta que es usted, como usuario, el responsable de no exponer a otras personas ni a su propiedad a riesgos o accidentes.
- Bajo ninguna circunstancia debe modificarse la configuración original del producto sin autorización del fabricante. Utilice siempre accesorios originales. Las modificaciones o los accesorios no autorizados pueden ocasionar accidentes graves o incluso la muerte del operario o de terceros. Su garantía no cubre daños o responsabilidades provocadas por la utilización de accesorios o piezas de repuesto no autorizados.
- Los únicos accesorios que pueden utilizarse con este producto son los equipos de corte que recomendamos en el capítulo Accesorios. Consulte *Accesorios en la página 117*.
- No utilice nunca un producto que haya sido modificado y no se corresponda con la configuración original.
- No utilice nunca un producto defectuoso. Lleve a cabo las comprobaciones de seguridad y siga las instrucciones de mantenimiento y servicio de este manual. Algunas medidas de mantenimiento y servicio deben ser efectuadas por especialistas formados y cualificados. Consulte las instrucciones del apartado Mantenimiento.
- Trabajar con mal tiempo es fatigoso y a menudo añade riesgos innecesarios. Debido al riesgo añadido, no se recomienda utilizar la máquina con muy mal tiempo, por ejemplo, con niebla densa, lluvia intensa, vientos fuertes, frío extremo, riesgo de tormenta eléctrica, etc.
- No trabaje nunca desde una escalera, taburete u otra posición elevada que no tenga un apoyo completamente seguro.
- Guarde los aparatos que no esté utilizando en un recinto cerrado y a cubierto.
- Es imposible abarcar todas las situaciones que pueden darse. Utilice siempre el equipo con cuidado y sentido común. Evite todas aquellas situaciones que considere que sobrepasan sus capacidades. Si, después de leer estas instrucciones, no está seguro del procedimiento que debe seguir, consulte a un experto antes de continuar.
- Mientras esté trabajando, evite que cualquier persona o animal se acerque a menos de 15 metros. Si hay varios operarios trabajando en el mismo lugar, la distancia de seguridad entre ellos debe ser de al menos 15 metros. De lo contrario, existe el riesgo de daños personales graves. Pare el producto inmediatamente si alguien se acerca. Nunca se dé la vuelta con el producto si no ha verificado antes que no hay nadie detrás, dentro de la zona de seguridad.
- Asegúrese de que ninguna persona, animal ni objeto pueda afectar a su control sobre el producto ni entrar en contacto con el equipo de corte ni con objetos sueltos que salgan despedidos por la acción del equipo de corte. No use el producto a no ser que sea capaz de pedir ayuda en caso de accidente.
- Compruebe que pueda caminar y mantenerse de pie con seguridad. Examine la zona a su alrededor en busca de posibles obstáculos (raíces, piedras, ramas, zanjas, etc.) en caso de que tenga que moverse rápidamente. Proceda con sumo cuidado al trabajar en terreno inclinado.
- Camine, en ningún caso corra.

- Inspeccione la zona de trabajo. Quite todos los materiales sueltos, como piedras, cristales rotos, clavos, alambres, cordones, etc., que puedan salir despedidos o enredarse en la recortadora o en su protección.
- Tenga cuidado con los trozos de ramas que pueden salir despedidos durante el corte. No corte demasiado cerca del suelo cuando haya piedras u otros objetos que puedan salir despedidos.
- Procure que ninguna prenda de vestir ni ninguna parte del cuerpo entren en contacto con el equipo de corte cuando el producto está activado. Mantenga el producto por debajo de la cintura.
- Cuidado con los objetos que salen despedidos. Se debe utilizar siempre protección ocular homologada. No se incline nunca sobre la protección del equipo de corte. La máquina puede lanzar piedras, basura, etc., contra los ojos y causar ceguera o daños graves.
- Cuando use protectores auriculares, preste siempre atención a las señales o llamadas de advertencia. Quítese siempre los protectores auriculares en cuanto se detenga el motor del producto.
- Si se producen vibraciones inusuales, extraiga más hilo hasta obtener la longitud adecuada para que las vibraciones cesen.
- Si el producto arranca con vibraciones anómalas, deténgalo y extraiga la batería.
- La sobreexposición a las vibraciones puede provocar problemas circulatorios y dolencias de carácter nervioso, especialmente en personas con patologías circulatorias. Acuda a un médico si nota síntomas que puedan relacionarse con la sobreexposición a las vibraciones. Ejemplos de estos síntomas son: entumecimiento, pérdida de sensibilidad, hormigueo, punzadas, dolor, pérdida o reducción de la fuerza normal, y cambios en el Color o la superficie de la piel. Estos síntomas se presentan normalmente en dedos, manos y muñecas.
- Sujete siempre el producto con ambas manos. Mantenga el producto en el lado derecho del cuerpo.

## Personal protective equipment



**ADVERTENCIA:** Lea las siguientes instrucciones de advertencia antes de utilizar el producto.

- Para trabajar con el producto, debe utilizar siempre un equipo de protección personal homologado. El equipo de protección personal no elimina completamente el riesgo de lesiones, pero reduce la gravedad de las lesiones en caso de accidente. Deje que el distribuidor le ayude a seleccionar el equipo adecuado.
- Use un casco protector cuando exista el riesgo de que caigan objetos.
- Use protectores auriculares homologados con suficiente capacidad de reducción sonora. La

exposición prolongada al ruido puede causar daños crónicos en el oído.

- Utilice protección ocular homologada. Si se utiliza visor, deben utilizarse también gafas protectoras homologadas. Por gafas protectoras homologadas se entienden las que cumplen con la norma ANSI Z87.1 para EE. UU. o EN 166 para países de la UE.
- Utilice una pantalla de protección facial para proteger la cara. La pantalla no es suficiente para la protección ocular.

(Fig. 19)

- Utilice guantes cuando sea necesario, por ejemplo, para el montaje, inspección o limpieza del equipo de corte.

- Utilice botas antideslizantes y seguras.
- Use indumentaria de material resistente. Use siempre pantalones largos y gruesos, y mangas largas. No lleve ropa suelta que pueda quedar atrapada en los arbustos y ramas. No trabaje con joyas, pantalones cortos, sandalias ni los pies descalzos. Recójase el pelo por encima de los hombros.

(Fig. 20)

- Mantenga el equipo de primeros auxilios cerca.

(Fig. 21)

## Dispositivos de seguridad en el producto



**ADVERTENCIA:** Lea las siguientes instrucciones de advertencia antes de utilizar el producto.

En este apartado se describen los componentes de seguridad del producto, su función y el modo de efectuar el control y el mantenimiento para garantizar un funcionamiento óptimo. Consulte las instrucciones del apartado *Introducción en la página 103* para conocer dónde se encuentran estas piezas en el producto.

La vida útil del producto puede acortarse y el riesgo de accidentes puede aumentar si el mantenimiento no se hace de forma adecuada y si los trabajos de servicio y reparación no se efectúan de forma profesional. Si necesita más información, solicítela al distribuidor de su zona.



**ADVERTENCIA:** No emplee nunca un producto cuyos componentes de seguridad estén dañados. Efectúe la inspección y el mantenimiento del equipo de seguridad del producto tal como se describe en este apartado. Si el producto no supera cualquiera de estas pruebas, póngase en contacto con el taller de servicio para repararlo.



**PRECAUCIÓN:** Todos los trabajos de servicio y reparación de la máquina requieren una formación especial. Esto es especialmente cierto en lo que respecta al equipo de seguridad del producto. Si la máquina no pasa alguno de los controles indicados a continuación, acuda a su taller de servicio local. La compra de alguno de nuestros productos le garantiza que puede recibir un mantenimiento y servicio profesional. Si no ha adquirido la máquina en uno de nuestros distribuidores especializados con taller de servicio, solicite información sobre el taller más cercano.

## Comprobación de la protección del equipo de corte



**ADVERTENCIA:** No utilice un equipo de corte si no está equipado con una protección homologada y debidamente montada. Utilice siempre la protección del equipo de corte recomendada para el equipo de corte que esté utilizando; consulte *Accesorios en la página 117*. Si se monta una protección del equipo de corte incorrecta o defectuosa, esto puede causar daños personales graves.

La protección del equipo de corte evita que los objetos salgan despedidos hacia el usuario. También evita daños al impedir el contacto con el equipo de corte.

1. Pare el producto y retire la batería.
2. Compruebe visualmente si hay daños como, por ejemplo, grietas. (Fig. 26)
3. Si la protección del equipo de corte está dañada, cámbiela.

## Cabezal de corte

- Utilice siempre el cabezal de corte y el equipo de corte correctos, y utilice siempre el hilo de corte recomendado. Consulte *Accesorios en la página 117* y las instrucciones de montaje al final del manual.
- Asegúrese de que la cuchilla que hay en la protección de la recortadora no esté dañada.
- Asegúrese siempre de que el hilo de corte esté enrollado de manera firme y uniforme en el rodillo para evitar vibraciones inusuales en el producto. Las diferentes longitudes de hilo pueden provocar vibraciones innecesarias. Dé unos golpecitos al cabezal de corte para conseguir la longitud correcta del hilo.

Para prolongar la vida útil del hilo, se puede poner en remojo en agua un par de días o más antes de montarlo. Esto mejorará la resistencia del hilo.

## Instrucciones de seguridad para el montaje



**ADVERTENCIA:** Antes de utilizar el producto, lea detenidamente estas instrucciones, asegúrese de entenderlas y cúmplalas.

- Retire la batería del producto antes de montarlo.
- Utilice guantes protectores homologados.
- Una protección dañada o que no funcione correctamente puede provocar lesiones. No utilice un accesorio de corte que no disponga de una protección homologada.
- Asegúrese de montar la cubierta y el tubo correctos antes de poner en marcha el producto.

## Comprobación de la interfaz de usuario

1. Mantenga presionado el botón de arranque/parada (A).
  - a) El producto está encendido cuando la pantalla (B) está encendida. (Fig. 22)
  - b) El producto está apagado cuando la pantalla se apaga.
2. Si el indicador de advertencia de la pantalla se enciende o parpadea, consulte *Interfaz de usuario en la página 114*.

## Comprobación del bloqueo del gatillo de alimentación

El bloqueo del gatillo de alimentación tiene como objetivo evitar un uso accidental. Al empujar el bloqueo del gatillo de alimentación hacia delante (A) y, a continuación, presionarlo contra el asa (B), el gatillo de alimentación (C) se libera. Al soltar el mango, el gatillo de alimentación y el bloqueo vuelven ambos a sus posiciones originales. Este movimiento se controla mediante tres muelles independientes. (Fig. 23)

1. Asegúrese de que el gatillo de alimentación quede bloqueado cuando el bloqueo regrese a su posición original. (Fig. 24)
2. Presione el gatillo de alimentación y compruebe que vuelve a su posición inicial al soltarlo. (Fig. 25)
3. Compruebe que el gatillo de alimentación y el bloqueo se mueven con facilidad, y que el muelle de retorno funciona correctamente.
4. Arranque el producto; consulte *Puesta en marcha del producto en la página 112*.
5. Acelere al máximo.
6. Suelte el gatillo de alimentación y compruebe que el equipo de corte se para y permanece inmóvil.

- El disco de arrastre y la brida de apoyo deben acoplarse correctamente en el orificio central del equipo de corte. Un equipo de corte mal acoplado puede provocar lesiones o la muerte.
- Si se suministra un arnés con el accesorio, este deberá fijarse correctamente al producto. El arnés hace que el trabajo sea seguro y evita lesiones al operador u otras personas.

## Instrucciones de seguridad para el mantenimiento



**ADVERTENCIA:** Lea las instrucciones de advertencia siguientes antes de realizar el mantenimiento del producto.

- Retire la batería antes de realizar tareas de mantenimiento, otras comprobaciones o montar el producto.
- El usuario debe realizar solo el mantenimiento y las reparaciones indicadas en este manual. Acuda a

su taller de servicio autorizado para las tareas de mantenimiento y reparaciones más importantes.

- No limpie la batería o el cargador con agua. Los detergentes agresivos pueden provocar daños en el plástico.
- Si no se realiza el mantenimiento, el ciclo de vida del producto disminuye y aumenta el riesgo de accidentes.
- Para realizar todos los trabajos de mantenimiento y reparación, especialmente en los dispositivos de seguridad en el producto, es necesaria una formación especial. Si no están aprobadas todas las comprobaciones de este manual de usuario después de realizar tareas de mantenimiento, acuda al taller de su distribuidor local. Le garantizamos que realizarán reparaciones y mantenimiento profesionales en su producto.
- Utilice únicamente piezas de repuesto originales.
- Utilice siempre guantes resistentes para reparar el equipo de corte. Las cuchillas están muy afiladas y pueden causar lesiones con facilidad.

## Montaje

### Montaje del mango cerrado

1. Fije el mango cerrado sobre el eje, entre las flechas. No coloque el mango cerrado ni el anillo de suspensión sobre la etiqueta. (Fig. 27)
2. Desplace el distanciador hasta la ranura del mango cerrado.
3. Fije la tuerca, la perilla y el tornillo; no los apriete por completo.
4. Ajuste el producto en una posición que le resulte cómoda.
5. Apriete el perno.

### Montaje del equipo de corte

Junto al equipo de corte se incluye una protección para el equipo de corte.



**ADVERTENCIA:** Utilice guantes protectores.



**ADVERTENCIA:** Utilice siempre la protección del equipo de corte recomendada para dicho equipo. Consulte *Datos técnicos en la página 116*.



**ADVERTENCIA:** Un equipo de corte mal montado puede provocar lesiones o la muerte.

### Montaje de la protección del equipo de corte

1. Enganche la protección del equipo de corte (A) al gancho de la placa de soporte (B). (Fig. 28)
2. Instale la protección del equipo de corte en el eje y apriétela con el perno (C).

### Retirada de la protección del equipo de corte

- Afloje el perno (C) y retire la protección del equipo de corte (A) del eje. (Fig. 29)

### Montaje de los cabezales de corte



**ADVERTENCIA:** Al instalar el equipo de corte, es sumamente importante que la sección elevada del disco de arrastre/brida de apoyo quede bien colocada en el orificio central del equipo de corte. Si instala el equipo de corte de forma incorrecta, puede causar daños personales graves o mortales.



**ADVERTENCIA:** Bajo ninguna circunstancia se puede utilizar un equipo de corte sin haber montado antes la protección recomendada. Consulte *Accesorios en la página 117*. Utilizar una protección incorrecta o dañada puede causar daños personales graves.

### Montaje del cabezal de corte

1. Coloque el disco de arrastre (B) en el eje de salida.

2. Gire el eje de salida hasta para alinear uno de los orificios del disco de arrastre con el orificio correspondiente de la caja de engranajes.
3. Introduzca el pasador de seguridad (C) en el orificio para bloquear el eje.
4. Gire el cabezal de corte (H) hacia la izquierda para fijarlo. (Fig. 30)

## Desmontaje del cabezal de corte

1. Introduzca el pasador de seguridad (C) en el orificio para bloquear el eje.
2. Gire el cabezal de corte (H) hacia la derecha para extraerlo.
3. Retire el disco de arrastre (B) del eje de salida. (Fig. 30)

---

# Funcionamiento

---

## Introducción



**ADVERTENCIA:** Asegúrese de leer y comprender el capítulo sobre seguridad antes de usar el producto.

## Para conectar la batería al producto



**ADVERTENCIA:** Utilice solo baterías Husqvarna originales en el producto.

1. Asegúrese de que la batería está completamente cargada.
2. Inserte la batería en el soporte del producto. La batería quedará fija en su posición cuando oiga un clic. (Fig. 31)



**PRECAUCIÓN:** Si la batería no se mueve con facilidad en el soporte, no se habrá instalado correctamente. Esto puede provocar daños en el producto.

3. Asegúrese de que la batería está instalada correctamente.

## Posición de trabajo

- Sujete el producto con las 2 manos.
- Mantenga el producto en el lado derecho del cuerpo.
- Mantenga el equipo de corte por debajo de la cintura.
- Mantenga cualquier parte del cuerpo alejada de las superficies calientes.
- Mantenga cualquier parte del cuerpo alejada del equipo de corte.

## Antes de utilizar el producto

- Examine el área de trabajo para asegurarse de que conoce el tipo de terreno y la pendiente, y para verificar si hay obstáculos como piedras, ramas o zanjas.
- Realice una inspección general del producto.
- Lleve a cabo las inspecciones de seguridad, y las labores de mantenimiento y servicio que se indican en este manual.

- Asegúrese de que todas las cubiertas y protecciones, así como el manillar y el equipo de corte estén bien montados y no presenten daños.
- Examine la brida de apoyo para detectar posibles grietas. Sustituya la brida de apoyo si está dañada.

(Fig. 32)

- Examine el cabezal de corte y la protección del equipo de corte para comprobar si presenta daños o grietas. Cambie el cabezal de corte y la protección del equipo de corte si han recibido golpes o si presentan grietas.

(Fig. 33)

## Puesta en marcha del producto

1. Mantenga pulsado el botón de arranque hasta que el LED verde se encienda. (Fig. 34)
2. Utilice el gatillo de alimentación para controlar la velocidad.

## Limitación de la velocidad máxima con el botón de modo

El producto cuenta con un botón de modo con el que el usuario puede limitar la velocidad máxima. El botón de modo permite 3 niveles de velocidad. Un nivel inferior aumenta el tiempo de funcionamiento del producto. Utilice los niveles 1 y 2 si la tarea no requiere la máxima velocidad ni la máxima potencia. Si las condiciones de funcionamiento requieren una potencia o una velocidad máximas, utilice el nivel 3. No utilice un nivel superior al necesario para la operación.

1. Pulse el botón de modo para establecer un límite de velocidad máxima. Los LED blancos se encienden para indicar que la función está activada. (Fig. 35)
2. Vuelva a pulsar el botón de modo para seleccionar el siguiente nivel de velocidad.

## Función de parada automática

El producto cuenta con una función de parada que lo desactiva si no se utiliza.



## Recorte de hierba con el cabezal de corte

### Para recortar la hierba

1. Mantenga el cabezal de corte inclinado justo por encima del suelo. (Fig. 36) No empuje el hilo de corte contra la hierba.
2. Utilice un 80 % de la velocidad para cortar hierba cerca de objetos. (Fig. 37)

### Para cortar la hierba

1. Asegúrese de que el hilo de corte de la recortadora de césped esté paralelo al suelo cuando corte. (Fig. 38)
2. No empuje el cabezal de corte contra el suelo. El suelo y el producto pueden resultar dañados.
3. No deje que el cabezal de corte toque el suelo continuamente, ya que puede dañarse.
4. Utilice la velocidad máxima cuando mueva el producto de lado a lado para cortar hierba. (Fig. 39) Asegúrese de que el hilo de corte de la recortadora de césped esté paralelo al suelo.

### Barrer la hierba

El flujo de aire que genera el hilo de corte al girar puede usarse para retirar la hierba cortada de una zona.

1. Mantenga el cabezal de corte y el hilo paralelos al suelo sin llegar a tocarlo.
2. Acelere al máximo.
3. Mueva el cabezal de corte de lado a lado para barrer la hierba.



**ADVERTENCIA:** Limpie la cubierta del cabezal de corte cada vez que coloque hilo de corte nuevo para evitar que las empuñaduras pierdan equilibrio y generen vibraciones. Revise también el resto de componentes del cabezal de corte y límpielos si es necesario.

### Parada del producto

1. Suelte el gatillo de alimentación o su bloqueo.
2. Pulse el botón de parada. (Fig. 34)
3. Pulse los botones de liberación de la batería para extraerla. (Fig. 40)

## Mantenimiento

### Introducción



**ADVERTENCIA:** Antes de realizar cualquier trabajo de mantenimiento, debe leer y entender el capítulo sobre seguridad.



### Programa de mantenimiento

**ADVERTENCIA:** Extraiga la batería antes de realizar tareas de mantenimiento.

A continuación incluimos una lista con los pasos de mantenimiento que hay que efectuar en el producto.

Mantenimiento	Diario	Semanal	Mensualmente
Limpie la parte exterior del producto con un trapo seco. No utilice agua.	X		
Compruebe que el botón de parada y arranque funcione correctamente y no esté dañado.	X		
Por seguridad, asegúrese de que el gatillo de alimentación y su bloqueo funcionan correctamente.	X		
Asegúrese de que todos los mandos funcionen y no estén dañados.	X		
Mantenga las asas y los mangos secos, limpios y sin aceite ni grasa.	X		
Asegúrese de que el equipo de corte no esté dañado. Si el equipo de corte está dañado, cámbielo.	X		
Asegúrese de que la protección del equipo de corte y la cuchilla no estén dañadas. Si la protección del equipo de corte o la cuchilla está dañada, cámbiela.	X		

Mantenimiento	Diario	Semanal	Mensualmente
Asegúrese de que los tornillos y las tuercas están bien apretados.	X		
Asegúrese de que los botones de liberación de la batería funcionan y fijan la batería en el producto.	X		
Asegúrese de que la batería no esté dañada.	X		
Asegúrese de que la batería está cargada.	X		
Compruebe que el cargador de la batería no esté dañado y funcione correctamente.	X		
Examine todos los cables, acoplamientos y conexiones. Asegúrese de que no estén dañados ni sucios.		X	
Asegúrese de que el engranaje angulado esté bien cubierto de grasa, consulte <i>Lubricación del engranaje angulado en la página 114</i> . En caso contrario, utilice grasa para engranajes angulados Husqvarna.		X	
Realice una comprobación de las conexiones entre la batería y el producto. Realice una comprobación de la conexión entre la batería y el cargador de batería.			X

## Para limpiar el producto, la batería y el cargador de la batería

1. Limpie el producto con un paño seco después de su uso.
2. Limpie la batería y cargador de batería con un paño limpio y seco. Mantenga las guías de la batería limpias.
3. Asegúrese de que los terminales de la batería y del cargador estén limpios antes de colocar la batería en el cargador o en el producto.

## Lubricación del engranaje angulado

1. Retire el equipo de corte.
2. Coloque el producto con el tapón de engrase en la posición más alta.

3. Retire el tapón de grasa. (Fig. 41)
4. Mire dentro del orificio del tapón de grasa y gire el eje propulsor. El nivel de grasa (A) debe estar al mismo nivel que la parte superior de los engranajes (B). (Fig. 42)
5. Si el nivel de grasa es demasiado bajo, llene el engranaje angulado con grasa para engranajes angulados Husqvarna. Llene lentamente y gire el eje propulsor mientras aplica la grasa para engranajes angulados; pare en el nivel correcto (B).



**PRECAUCIÓN:** Si se aplica una cantidad de grasa incorrecta, se puede dañar el engranaje angulado.

6. Coloque el tapón de grasa.

## Resolución de problemas

### Interfaz de usuario

Problema	Posibles errores	Posible acción
El indicador LED de la batería parpadea en color naranja.	Tensión de la batería baja.	Cargue la batería.

Problema	Posibles errores	Posible acción
El indicador LED de error parpadea en rojo.	Sobrecarga.	El accesorio de corte está atascado. Pare el producto. Retire la batería. Retire la suciedad del accesorio de corte.
	Desviación de la temperatura.	Deje que el producto se enfríe.
	El gatillo de alimentación y el botón de activación se han pulsado simultáneamente.	Suelte el gatillo de alimentación y el producto se pondrá en marcha.
El producto no arranca	Conectores de la batería sucios.	Limpie los conectores de la batería con aire comprimido o con un cepillo suave.
El indicador LED de error está encendido en rojo.	Es necesario realizar tareas de mantenimiento en el producto.	Póngase en contacto con su taller de servicio.

## Transporte, almacenamiento y eliminación

### Transporte y almacenamiento

- Las baterías de iones de litio incluidas están sujetas a los requisitos de la normativa sobre mercancías peligrosas.
- Siga el requisito especial indicado en el paquete y en las etiquetas para el transporte comercial, incluso por terceros y agentes de transporte.
- Hable con alguien con formación especial en materiales peligrosos antes de enviar el producto. Respete todas las normativas nacionales.
- Cubra con cinta los contactos abiertos cuando ponga la batería en un paquete. Embale bien la batería en el paquete para evitar que se mueva.
- Extraiga la batería si va a guardar o transportar el producto.
- Coloque la batería y el cargador en un lugar seco y protegido de la humedad y las heladas.
- No almacene la batería en lugares donde pueda generarse electricidad estática. No guarde la batería en una caja metálica.
- Guarde la batería a una temperatura de entre 5 °C (41 °F) y 25 °C (77 °F), y protegida de la luz directa del sol.
- Guarde el cargador de la batería a una temperatura de entre 5 °C (41 °F) y 45 °C (113 °F), y protegido de la luz directa del sol.
- Utilice el cargador de la batería solo cuando la temperatura ambiente oscile entre 5 °C (41 °F) y 40 °C (104 °F).

- Cargar la batería entre el 30 % y el 50 % antes de guardarla durante periodos de tiempo largos.
- Guarde el cargador de la batería en un espacio cerrado y seco.
- Cuando guarde la batería, manténgala alejada del cargador. No permita que los niños ni otras personas no autorizadas toquen el equipo. Guarde el equipo en un lugar que pueda cerrarse con llave.
- Limpie el producto y realice un mantenimiento completo antes de guardarlo durante un periodo de tiempo prolongado.
- Utilice la protección de transporte del producto para evitar lesiones o daños en el producto durante el transporte y almacenamiento.
- Fije el producto firmemente durante el transporte.

### desecho de la batería, el cargador y el producto

Los símbolos del producto o del embalaje del producto indican que este producto no es un residuo doméstico. Recíclalo en un centro de reciclaje para equipos eléctricos y electrónicos. Esto ayudará a evitar dañar el medioambiente y las personas.

Póngase en contacto con las autoridades locales, el servicio de residuos domésticos o su distribuidor para obtener más información acerca de cómo reciclar su producto.

## Datos técnicos

### Datos técnicos

	<b>325iL</b>
<b>Motor</b>	
Tipo de motor	BLDC (sin escobillas) 36 V
Velocidad en el eje de salida, 1/min	5800
Anchura de corte, mm	420
<b>Peso</b>	
Peso sin batería ni accesorio de corte, kg	3,0
<b>Emisiones de ruido</b> <sup>19</sup>	
Nivel de potencia acústica medido, dB(A)	93
Nivel de potencia acústica garantizado L <sub>WA</sub> dB(A)	96
<b>Niveles de ruido</b> <sup>20</sup>	
Nivel de presión sonora equivalente en el oído del usuario, medido conforme a ISO 22868, dB(A):	
Equipada con cabezal de corte (original)	84
<b>Niveles de vibración</b> <sup>21</sup>	
Niveles de vibración en las asas, medidos conforme a ISO 22867, m/s <sup>2</sup>	
Equipado con cabezal de corte (original), delantera/trasera, m/s <sup>2</sup>	4,3/2,9

### Baterías homologadas

<b>Batería</b>	<b>BLI 200</b>
Tipo	iones de litio
Capacidad de la batería, Ah	5,2
Tensión nominal, V	36

<sup>19</sup> Emisiones sonoras en el entorno medidas como potencia acústica (LWA) según la directiva 2000/14/CE. El nivel referido de potencia sonora de la máquina se ha medido con el accesorio de corte original que produce el nivel más elevado. La diferencia entre la potencia acústica garantizada y la medida es que la potencia acústica garantizada también incluye en el resultado de la medición la dispersión y las variaciones entre diferentes máquinas del mismo modelo, conforme a la directiva 2000/14/CE.

<sup>20</sup> Los datos relativos al nivel de presión sonora de la máquina tienen una dispersión estadística habitual (desviación estándar) de 3 dB(A) y se han medido con el accesorio original que produce el nivel más elevado.

<sup>21</sup> Los datos referidos del nivel de vibración poseen una dispersión estadística habitual (desviación típica) de 2 m/s<sup>2</sup>. Para comparar los niveles de vibraciones en los productos con batería y los productos de combustión, utilice la calculadora de vibraciones: <https://www.husqvarna.com/uk/services-solutions/vibration-calculator/>.

<b>Batería</b>	<b>BLI 200</b>
Peso, kg (lb)	1,3 (2,9)

### Cargadores de batería homologados

<b>Cargador de baterías</b>	<b>QC330</b>
Tensión de entrada, V	100-240
Frecuencia, Hz	50-60
Potencia, W	330

---

## Accesorios

---

### Accesorios

Accesorios homologados	Tipo de accesorio	Protección del equipo de corte, referencia
Orificio central en hojas/cuchillas Ø 25,4 mm		
Rosca de eje de salida M10		
Cabezal de corte	T35 (hilo de corte trenzado Whisper, Ø 2,4 mm máximo)	597 01 62-02

# Declaración de conformidad

## Declaración de conformidad UE

Nosotros, **Husqvarna AB**, SE-561 82 Huskvarna (Suecia), tel. +46-36-146500, declaramos bajo nuestra exclusiva responsabilidad que el producto:

<b>Descripción</b>	Recortadora de césped a batería
<b>Marca</b>	Husqvarna
<b>Tipo/Modelo</b>	325iL
<b>Identificación</b>	Números de serie a partir del año 2023

Cumple las siguientes directivas y normas de la UE:

<b>Directiva/Norma</b>	<b>Descripción</b>
2006/42/CE	"relativa a las máquinas"
2014/30/EMC	"relativa a la compatibilidad electromagnética"
2011/65/UE	"relativa a la restricción de utilización de sustancias peligrosas"
2000/14/CE	"relativa al ruido en exteriores"

Y que se aplican las especificaciones técnicas o los estándares siguientes: EN 62841-1:2015/AC:2015, EN 62841-4-4 (IEC 62841-4-4:2020), EN 61000-6-1:2007 (Immunity), EN 61000-6-3:2007/A1:2011/AC:2012 (Emission).



RISE SMP Svensk Maskinprovning AB, Box 4053, SE-904 03 Umeå, Sweden ha realizado un examen de tipo voluntario de conformidad con el anexo IX de la Directiva 2006/42/CE. Número de certificado: SEC/23/2579.

Notified body: 0404, RISE SMP Svensk Maskinprovning AB, Box 4053, SE-904 03 Umeå, Sweden ha comprobado también la conformidad con el apéndice VI de la Directiva del Consejo 2000/14/CE.

Para obtener información respecto a las emisiones sonoras, consulte *Datos técnicos en la página 116*.

Huskvarna, 2022-12-01

Stefan Holmberg, Director de I+D, Gestión de tecnología, Husqvarna AB

Responsable de la documentación técnica

---

## Sisukord

---

Sissejuhatus.....	119	Transportimine, hoiulepanek ja utiliseerimine.....	129
Ohutus.....	120	Tehnilised andmed.....	130
Kokkupanek.....	126	Lisavarustus.....	131
Töö.....	127	Vastavusdeklaratsioon.....	132
Hooldamine.....	128	Lisa .....	447
Veotsing.....	129		

---

## Sissejuhatus

---

### Toote kirjeldus

Husqvarna 325iL on elektrimootoriga akutoitel murutrimmer.

Me teeme pidevalt tööd, et tõsta teie ohutust ja tõhusust töötamisel. Lisateabe saamiseks võtke ühendust hooldusesindajaga.

### Kasutusotstarve

Eri tüüpi taimestiku lõikamiseks kasutage toodet koos rohutera või trimmeripeaga. Ärge kasutage toodet muul

otstarbel kui muru pügamiseks, rohu niitmiseks ja metsa puhastamiseks.

---

**Märkus:** Kasutamist võivad piirata riiklikud või kohalikud määrused. Järgige kõiki määrusi.

---

Kasutage toodet ainult koos tootja heakskiidetud tarvikutega. Vt jaotist *Lisavarustus lk 131*.

### Toote tutvustus

(Joon. 1)

1. Kasutusjuhend
2. Reduktor
3. Lukustusihvti ava
4. Trimmeripea
5. Lõikeosa kaitse
6. Vedamisketas
7. Kombivõti
8. Silmuskäepide
9. Nupp
10. Vars
11. Splint
12. Hoiatuste LED-märgutuli
13. Käivitus- ja seiskamisnupp
14. Kiirusrežiimi nupp
15. Toitelüliti lukustus
16. Kasutajaliides
17. Toitelüliti
18. Akulaadija juhe
19. Akulaadija
20. Toite ja hoiatuse LED-tuli
21. Aku vabastamise nupud
22. Aku
23. Laadimisoleku LED-märgutuli
24. LED-hoiatustuli
25. Akunäidiku nupp

### Sümbolid tootel

(Joon. 2) HOIATUS! Seade võib olla ohtlik! Hooletu või väär käsitsemine võib põhjustada kasutaja või teiste isikute raskeid kehavigastusi või hukkamise. Äärmiselt oluline on käesolev kasutusjuhend läbi lugeda ja selle sisust aru saada. Lugege enne seadme kasutamist kasutusjuhend tähelepanelikult läbi ja veenduge, et oleksite juhistest aru saanud.

(Joon. 3) Kandke heakskiidetud kõrvaklappe. Kandke heakskiidetud kaitseprille.

(Joon. 4) Maksimaalne kiirus või koormuseta kiirus.

XXXX /min või min<sup>-1</sup> | Pöörded või edasi-tagasi pöörded minu-  
tis.

(Joon. 5) Nimipinge, V

(Joon. 6) Alalisvool.

(Joon. 7) See toode vastab kehtivatele EÜ direktiividele.

(Joon. 8) See toode vastab kehtivatele UK direktiividele.

- (Joon. 9) Kandke heakskiidetud kaitsekindaid. ohutusvarustuse mittekasutamisel võib see põhjustada tõsiseid silmavigastusi.
- (Joon. 10) Kandke vastupidavaid libisemiskindlaid jalanõusid. (Joon. 14) Enne hooldamist ühendage aku lahti.
- (Joon. 11) Kasutage ainult mittemetallist elastseid löikeosi. (Joon. 15) Seade on kaitstud pritsiva vee eest.
- (Joon. 12) Seadmel või selle pakendil olevad sümbolid viitavad, et antud seadet ei tohi visata olmeprügi hulka. Seade tuleb kõrvaldada vastavas taaskasutuspunktis. (Joon. 16) Hoidke kõik kehaosad kuumadest pindadest eemal.
- (Joon. 13) Lõikeosa võib jõuliselt liigutada objekte, mis võivad tagasi pörkuda. Soovitusliku (Joon. 17) Müramissioonile viitav keskkonnasilt vastavalt ELi ja UK direktiividele ja määrustele ja Uus Lõuna-Walesi õigusaktile „Protection of the Environment Operations (Noise Control) Regulations 2017“. Toote garanteeritud helivõimsuse taseme andmed leiate jaotisest *Tehnilised andmed lk 130*.

aaaannxxxx

Mudeli etikett näitab seerianumbrit. **aaaa** on tootmisaasta, **nn** on tootmisnädal ja **xxxx** on järjekorranumber.

(Joon. 18)

Kasutaja on kohustatud tagama, et inimesed ja loomad ei tuleks töö ajal lähemale kui 15 m. Kui samas kohas töötab mitu seadmekasutajat, peab ohutusvahemaa olema vähemalt 15 meetrit.

**Märkus:** Seadmel toodud ülejäänud sümbolid/tähised vastavad muude kommertsvaldkondade sertifitseerimisnõuetele.

- toodet on valesti parandatud;
- toote parandamisel on kasutatud osi, mis ei ole tootja poolt valmistatud või heakskiidetud;
- tootel on kasutatud tarvikut, mis ei ole tootja poolt valmistatud või heakskiidetud;
- toodet ei ole parandatud volitatud hoolduskeskuses või volitatud isiku poolt.

## Toote kahjustused

Me ei vastuta meie tootele tekitatud kahjude eest, kui:

## Ohutus

### Ohutuse määratlused

Mõistetega „hoiatus“, „ettevaatus“ ja „märkus“ juhitakse tähelepanu eriti olulistele kohtadele kasutusjuhendis.



**HOIATUS:** Tähistab kasutusjuhendi juhiste eiramise korral kasutaja või kõrvalseisjate kehavigastuse või surmaga lõppeva õnnetuse ohtu.



**ETTEVAATUST:** Tähistab kasutusjuhendi juhiste eiramise korral seadme, muude esemete või läheduses asuvate objektide kahjustamise ohtu.

**Märkus:** Tähistab antud olukorras vajalikku lisateavet.

### Üldised ohutusalsed märkused elektritööriistade kohta



**HOIATUS:** Lugege läbi kõik elektrilise tööriistaga kaasas olevad hoiatused, juhised, tehnilised andmed ning tutvuge joonistega. Alltoodud juhiste eiramine võib põhjustada elektrilöögi, tulekahju ja/või ohtliku kehavigastuse.

- Hoidke kõik ohutusalsed märkused ja juhised edasiseks kasutamiseks alles. Märkustes kasutatud elektritööriista mõiste tähistab võrgutoitel (juhtmega) elektritööriista või akutoitel (juhtmata) elektritööriista.

### Tööala ohutus

- Hoidke tööala puhas ja tagage hea valgustus. Segamini või hämarad alad on õnnetusealdis.
- Ärge kasutage elektritööriista plahvatusohtlikus keskkonnas, näiteks tuleohtlike vedelike, gaaside



või tolmü läheduses. Elektriööriistad võivad tekitada sädemeid, mis võivad tolmü või gaasid süüdata.

- **Hoidke elektritööriista kasutamise ajal lapsed ja kõrvalseisjad tööalast eemal.** Tähelepanu hajumine võib põhjustada kontrolli kaotamist.

## Elektriohtus

- **Elektritööriista pistikud peavad sobima pistikupesaga. Ärge muutke pistikut mis tahes viisil. Ärge kasutage maandusega elektritööriistade puhul adapterpistikuid.** Muutmata pistikud ja sobivad pistikupesad vähendavad elektrilöögi ohtu.
- **Välti kehalist kokkupuudet maandatud pindadega (nt torud, radiaatorid, elektripliidid ja külmikud).** Keha maandamise korral on elektrilöögi oht suurem.
- **Vältige elektritööriistade kokkupuudet vihma ja märgade tingimustega.** Tööriista pääsenud vesi suurendab elektrilöögi saamise ohtu.
- **Kasutage juhete õigesti. Ära kunagi kasuta juhet elektritööriista kandmiseks, tõmbamiseks või pistikupesast eemaldamiseks.** Kaitske juhete kuumuse, õli, teravate servade ja liikuvate osade eest. Kahjustatud või sõlmes juhe suurendab elektrilöögi ohtu.
- **Elektritööriistaga õues töötamisel kasuta välitingimustes kasutamiseks sobivat pikendusjuhet.** Välitingimustes kasutamiseks sobiva pikendusjuhtme kasutamine vähendab elektrilöögi ohtu.
- **Kui elektritööriista kasutamine niiskes keskkonnas on välistamatu, kasutage rikkevoolukaitsmega (RCD) kaitsitud toidet.** RCD kasutamine vähendab elektrilöögi ohtu.

## Inimeste kaitsmine

- **Olge elektritööriista kasutamisel tähelepanelik, jälgige oma tegevust ja kasutage tervet mõistust. Ärge kasutage elektritööriista, kui olete väsinud või uimasest, alkoholi või ravimite mõju all.** Hetkeline tähelepanematus elektritööriistade kasutamise ajal võib lõppeda tõsiste kehavigastustega.
- **Kasutage isikukaitselahendeid. Kasutage alati kaitseprille.** Asjakohastes tingimustes kaitselahendite (nt tolmumask, mittelibisevad turvajalatsid, kiiver või kõrvaklapid) kasutamine vähendab kehavigastuste ohtu.
- **Vältige soovimatut käivitumist. Enne seadme ühendamist toiteallika ja/või akuaga, üles tõstmist või kandmist veendu, et lüliti oleks väljalülitatud asendis.** Kui kannate elektritööriistu nii, et teie sõrm on toitelülilil, või pingestate lülitiga varustatud elektritööriistu, võib see lõppeda õnnetusega.
- **Eemaldage enne elektritööriista sisselülitamist kõik reguleerimis- ja mutrivõtmed.** Elektritööriista pöörleva osa külge jäetud mutri- vm võti võib põhjustada kehavigastusi.
- **Ärge küünitage liiga kaugele. Säilitage kogu aeg kindel jalgealune ja tasakaal.** See annab ootamatutes olukordades parema kontrolli elektritööriista üle.

- **Kandke nõuetekohaseid riideid. Ärge kandke lahtiseid rõivaid ega ehteid. Hoidke juuksed ja rõivad liikuvatest osadest eemal.** Lahtised rõivad, ehted või pikad juuksed võivad liikuvate osade vahele kinni jääda.
- **Kui seadmetel on ühendus tolmueemaldus- ja kogumisseadmete jaoks, veenduge, et need on ühendatud ja neid kasutatakse õigesti.** Tolmukogumise kasutamise abil saab vähendada tolmuga seotud ohte.
- **Ära muutu tööriistade sagedasest kasutusest hooletuks ja ära eira tööriistade ohtu kasutamise põhimõtteid.** Hooletu tegevus võib ka murdosa sekundi jooksul põhjustada tõsiseid kehavigastusi.

## Elektritööriista kasutamine ja hooldamine

- **Ärge suruge elektritööriista jõuga. Kasutage rakenduse jaoks asjakohast elektritööriista.** Õige elektritööriist teeb töö ära paremini, ohutumalt ja ettenähtud kiirusel.
- **Ärge kasutage elektritööriista, kui lüliti vajutamisel ei lülitu seade sisse ega välja.** Mis tahes elektritööriist, mida pole võimalik juhtida, on ohtlik ja tuleb viivitamatult parandada.
- **Enne elektritööriista reguleerimist, tarvikute vahetamist või hoialepanekut eemalda pistik toiteallikast ja/või eemalda elektritööriista küljest aku, kui see on eemaldatav.** Taolised ennetavad ohutusmeetmed vähendavad elektritööriista tahtmatu käivitamise ohtu.
- **Hoidke elektritööriistu, mida te parasjagu ei kasuta, lastele kättesaamatus kohas ja ärge lubage elektritööriista kasutada isikutel, kes ei oska seda kasutada või pole neid juhiseid läbi lugenud.** Elektritööriistad on koolitamata kasutajate käes ohtlikud.
- **Elektritööriistu ja tarvikuid tuleb hooldada. Kontrollige liikuvate osade joondust ja kinnitusi, osade purunemist või muid tööriista kasutamist mõjutada võivaid tegureid.** Kahjustuse korral laske elektritööriist enne kasutamist remontida. Paljude õnnetuste põhjuseks on halvasti hooldatud elektritööriistad.
- **Hoidke löikevahendit teravad ja puhtad.** Nõuetekohaselt hooldatud teravate lõikeservadega löikevahendite kinnikiilumise tõenäosus on väiksem ja neid on hõlpsam juhtida.
- **Järgige elektritööriista, tarvikute, tööriistaotsikute jm kasutamisel neid juhiseid ning arvestage töötingimuste ja -ülesandega.** Elektritööriista kasutamine muuks kui ettenähtud otstarbeks võib põhjustada ohtliku olukorra.
- **Hoidke käepidemed ja haardepinnad kuivad, puhtad ning õli- ja määrdevabad.** Libedate käepidemete ja haardepindade korral ei ole ootamatutes olukordades võimalik tööriista ohutult käsitseda ja juhtida.

## Akutööriistade kasutamine ja hooldamine

- **Kasutage laadimiseks ainult tootja soovitatud laadijat.** Ühte tüüpi aku laadimiseks sobiv laadija võib koos teist tüüpi akuga kasutades tuleohtu põhjustada.
- **Kasutage mootortööriistades vaid spetsiaalselt neile loodud akusid.** Teisi akukogumeid kasutades riskite vigastuste ja tulekahjuga.
- **Kui aku pole hetkel kasutuses, hoidke seda eemal teistest metall-esemetest (nt kirjaklambrid, mündid, võtmed, naelad, kruvid vms väiksed metall-esemed), mis võiksid akuklemme omavahel ühendada.** Akuklemmide lühistamine võib põhjustada põletushaavu või tulekahju.
- **Väärkasutamise korral võib akust vedelikku lekkida; vältige kokkupuudet.** Kokkupuute korral loputage kannatada saanud kohta veega. Kui vedelik satub silma, loputage silma veega ja pöörduge arsti poole. Akust lekkinud vedelik võib põhjustada ärritust või põletushaavu.
- **Ärge kasutage defektset või muudetud akut või tööriista.** Kahjustatud või muudetud akud võivad käituda ettearvamatult ning põhjustada tule-, plahvatus- või vigastusohu.
- **Ärge laske akul või tööriistal puutuda kokku tulega või liiga kõrgete temperatuuridega.** Kokkupuude leegi või üle 130 °C temperatuuriga võib põhjustada plahvatuse.
- **Järgige kõiki laadimisjuhiseid ja ärge vahetage akut või tööriista temperatuuril, mis jääb väljapoole juhistes kirjeldatud temperatuurivahemikku.** Aku laadimine valesti või väljaspool selleks ettenähtud temperatuurivahemikku võib akut kahjustada ja suurendada tuleohtu.

## Hooldus

- **Laske elektritööriista hooldada vastava väljaõppega remontijal, kes tohib kasutada ainult identsid asendusosi.** See tagab elektritööriista ohutuse säilimise.
- **Ärge kunagi hooldage kahjustatud akusid.** Akusid võivad hooldada üksnes tootja või volitatud teenusepakkujad.

## Rohutrimmeri, võsalõikuri ja võsasae ohutushoiatused

- **Ärge kasutage masinat halva ilmaga (eelkõige äikesetormi ajal).** See vähendab pikselöögi ohtu.
- **Kontrollige põhjalikult, kas masina kasutusala on elusloodust.** Masin võib töötades elusloodust kahjustada.
- **Kontrollige hoolikalt masina kasutusala ning eemaldage seal kõik kivid, oksad, traadid, kondid ja muud võõrkehad.** Ohku paiskuvad esemed võivad tekitada kehavigastusi.
- **Enne masina kasutamist kontrollige alati visuaalselt, et lõikur või lõiketera ja nende koost ei oleks kahjustatud.** Kahjustatud osad suurendavad vigastuste ohtu.
- **Järgige tarvikute vahetamise juhiseid.** Valesti pingutatud lõiketera kinnitusmutrid või poldid võivad lõiketera kahjustada ning lõiketera võib toote küljest lahti tulla.
- **Lõikuri nimipöörlemiskiirus peab vastama vähemalt masinale märgitud maksimaalsele pöörlemiskiirusele.** Kui lõikureid kasutatakse nimipöörlemiskiirusest suuremal kiirusel, võivad need puruneda ja laiali paiskuda.
- **Kandke silmade, kõrvade, pea ja käte kaitsevarustust.** Nõuetele vastavad kaitsevahendid vähendavad võimalikke kehavigastusi, mille põhjuseks on lendav praht või tahtmatu kontakt lõikejõhvi või lõiketeraga.
- **Kandke masina kasutamisel alati libisemiskindlaid kaitsejalatseid.** Ärge kasutage seadet paljajalu või lahtiste sandaalidega. Kaitsejalatsite kandmine vähendab liikuva lõikuri, jõhvi või lõiketeraga kokkupuutel jalalabade vigastusohu.
- **Kandke masinaga töötamisel alati pikki pükse.** Katmata naha korral suureneb paiskuvatest esemetest tingitud vigastusohu.
- **Hoidke kõrvalised isikud masinaga töötamise ajal eemal.** Paiskuv praht võib tekitada raskeid kehavigastusi.
- **Kasutage seadme kasutamisel alati kaht kätt.** Masinast kahe käega kinni hoidmisega väldite masina üle kontrolli kaotamist.
- **Hoidke masinat ainult isoleeritud haardepindadest, kuna lõikejõhv või lõiketera võib kokku puutuda peidetud juhtmetega.** Kui lõikejõhv või lõiketerad puutuvad pinge all olevate kaablitega, võivad masina metallosalad seejärel samuti pinge alla sattuda ning kasutajale elektrilöögi anda.
- **Hoidke alati jalad kindlalt maas õiges asendis ja kasutage masinat ainult maapinnal seisites.** Libedatel ja ebakindlatel pindadel võite kaotada tasakaalu või kontrolli masina üle.
- **Ärge kasutage masinat liiga järskudel kallakutel.** See vähendab kontrolli kaotamise ning libisemis- ja kukkumisohtu, mis võib lõppeda kehavigastusega.
- **Kallakul töötades tagage alati kindel asend, töötage masinaga risti üle kallaku, mitte otse üles või alla, ning olge suuna muutmisel äärmiselt ettevaatlik.** See vähendab kontrolli kaotamise ning libisemis- ja kukkumisohtu, mis võib lõppeda kehavigastusega.
- **Masina töötamise ajal hoidke kõik kehaosad lõikurist, jõhvist või lõiketerast eemal.** Enne masina käivitamist veenduge, et lõikur, jõhv või lõiketera ei puutuks millegagi kokku. Hetkeline tähelepanematus masina kasutamise ajal võib põhjustada teile või teistele vigastusi.
- **Ärge kasutage masinat vöökohast kõrgemal.** See aitab vältida tahtmatut kokkupuudet lõikuri või lõiketeraga ja tagab teile ootamatutes olukordades masina üle parema kontrolli.
- **Kui lõikate pinge all olevat pöösast või võrseid, olge alati valmis selle võimalikuks tagasipaiskeks.** Kui puukiududesse talletunud pinge vabaneb, võib

pöösas või võrse kasutaja poole tagasi paiskuda ja/või masina kontrolli all hoidmise võimatuks muuta.

- **Olige pöösaid ja võrseid lõigates äärmisel ettevaatlik.** Peened oksad võivad lõiketera vahele kinni jääda ja seejärel piitsana teie poole viskuda või panna teid tasakaalu kaotama.
- **Säilitage kontroll masina üle ning ärge puudutage lõikureid, jõhvi või lõiketerasid ega muid ohtlikke liikuvaid osi, kui need veel liiguvad.** See vähendab liikuvate osade põhjustatud vigastusohu.
- **Kui eemaldate kinni kilunud materjali või hooldate masinat, veenduge, et kõik toitelülitid on välja lülitatud ja toitejuhe on lahti ühendatud.** Masina ootamatu käivitamine kinnikiilunud materjali eemaldamisel või seadme hooldamisel võib põhjustada raskeid kehavigastusi.
- **Kandke masinat nii, et masin on välja lülitatud ja kehasst eemal.** Masina õige käsitlemine vähendab trimmeri liikuva lõikuri, jõhvi või lõiketeraga juhuslikku kokkupuute tõenäosust.
- **Masina transportimisel või hoiustamisel paigaldage metallteradele alati kate.** Masina õige käsitlemine vähendab tahtmatu kokkupuute ohtu lõiketeraga.
- **Kasutage ainult tootja määratud asenduslõikureid, -jõhve, -lõikepäid ja -lõiketerasid.** Valed varuosad võivad suurendada kontrolli kaotamise, purunemise ja vigastuse riski.

## Muu üldine ohutusteave

- Enne teise tööpiirkonda liikumist lülitage seade välja. Seadme üleandmisel teisele isikule eemaldage alati aku.
- Ärge kunagi asetage seadet maha enne, kui olete selle välja lülitanud ja aku eemaldanud. Ärge jätke sisselülitatud seadet järelevalveta.
- Lõikeseade ei seisku pärast seadme väljalülitamist kohe.
- Enne seadme kasutamist ning pärast löögi saamist tuleb kontrollida kulumis- ja kahjustusjärgi ning seadet vajadusel remontida.
- Kui seadmega töötamise ajal jääb midagi lõikeosa külge kinni, siis peatage seade ja lülitage see välja. Veenduge, et lõikeosa oleks täielikult seiskunud. Alati enne seadme ja/või lõikeosa puhastamise, kontrollimise või parandamise alustamist eemaldage aku.
- Kontrollige seadet enne kasutamist. Vt jaotisest *Toote ohutusseadised lk 124 ja Hooldamine lk 128*. Ärge kasutage kahjustatud seadet. Järgige seadet kontrollides ja hooldades seadme kasutusjuhendi nõudeid.
- Vigane lõikeosa võib suurendada õnnetuste ohtu.
- Kontrollige, et ajam poleks määrduud ega mõranenud. Eemaldage ajamist harja abil muru ja lehed. Vajaduse korral tuleb kanda kindaid.
- Kontrollige alati, et õhutusavad oleksid puhtad.
- Kontrollige, et trimmeripea oleks täielikult trimmeri külge kinnitatud.

- Enne käivitamist tuleb paigaldada kõik seadme katted, kaitsed ja käepidemed.
- Kontrollige, et seade oleks töökorras. Kontrollige, et kõik mutrid ja kruvid oleksid korralikult pingutatud.
- Kontrollige trimmeripead ja kaitsekate kahjustuste ja mõrade osas. Kui trimmeripead või trimmerikaitset on tabanud löök või see on pragunenud, vahetage trimmeripea või trimmerikaitse välja. Kasutage ettenähtud lõikeosa kaitsekate. Vt jaotisest *Lisavarustus lk 131*.
- Toode on ohtlik, kui kasutate seda valesti või ettevaatamatult. Toode võib tekitada kasutajale või teistele raske või surmava kehavigastuse.
- Seda seadet ei tohi kasutada isikud (sh lapsed), kellel on nõrgemad füüsilised, sensoorsed või vaimsed võimed või puudulikum teadmised ja kogemused, välja arvatud juhul, kui neid jälgib või juhendab seadme kasutamisel isik, kes vastutab nende ohutuse eest. Lapsi tuleb jälgida, et nad seadmega ei mängiks.
- Ärge laske lapsi seadme lähedale ega neil seadet kasutada! Kuna seadet on lihtne käivitada, võivad lapsed selle käivitada, kui neid piisavalt ei jälgita. Sellega võib kaasneda raskete vigastuste oht. Sellepärast tuleb seadmelt eemaldada aku, kui seade jääb valveta.
- Ärge kunagi lubage seadet ega akut kasutada või hooldada lastel ega teistel isikutel, kes pole seadme ja/või aku kasutamise koolitust saanud.
- Seadet tuleb hoida lukustatud ruumis, kus lapsed ja kõrvalised isikud sellele ligi ei pääse.
- Hoidke käed ja jalad alati lõikealast eemal, eriti mootori sisselülitamise ajal.
- Pärast seadme väljalülitamist hoidke käed ja jalad lõikeosast eemal seni, kuni lõikeosa on täielikult seisma jäänud.
- Ärge eemaldage lõigatud materjali ega laske teistel inimestel lõigatud materjali eemaldada ajal, kui seade töötab või lõikeosa pöörleb, kuna see võib põhjustada ohtlikke kehavigastusi.
- Ärge unustage, et seadme kasutaja vastutab selle eest, et inimeste või nende varaga ei juhtuks õnnetus.
- Seadme algset konstruktsiooni ei tohi muuta ilma tootja loata. Kasutage alati originaalvarvikuid. Lubamatud muudatused ja varuosad võivad põhjustada kasutaja ja teiste isikute raskeid või isegi eluohtlikke kehavigastusi. Garantii ei pruugi katta kahjusid, mis on põhjustatud volitamata tarvikute või varuosade kasutamisest.
- Selle seadmega saab kasutada vaid selliseid lisatarvikuid, mis on loetletud soovitatud lisatarvikutena peatükis „Lisatarvikud“. Vt jaotisest *Lisavarustus lk 131*.
- Ärge kunagi kasutage seadet, mille ehitust on muudetud
- Ärge kunagi kasutage kahjustatud seadet. Teostage ohutuskontroll ja hooldage seadet korrapäraselt, nagu käsitlemisõpetuses nõutud.

Teatud hooldustoiminguid tohib teha ainult vastava väljaõppe saanud spetsialist. Vt juhiseid lõigust „Hooldus“.

- Halva ilmaga töötamine väsitab ja sellega kaasneb tihti muid ohte. Seadet pole soovitatav kasutada väga halva ilmaga, näiteks tiheda udu või vihma, tugeva tuule, väga külma temperatuuri või äikesehoold korral.
- Ärge kunagi töötage redelil, toolil või muus kõrges asendis, mis ei ole täielikult fikseeritud.
- Kasutusest eemal olevat seadet tuleb hoida siseruumis – Kui seadet ei kasutata, hoidke seda siseruumis
- Kõiki olukordi, mis võivad seadme käitamisel ette tulla, ei ole võimalik kirjeldada. Olge alati ettevaatlik ja kasutage tervet mõistust. Vältige olukordi, millega te ei pruugi toime tulla. Kui te pärast selle juhendi läbilugemist tunnete veel ebakindlust, küsige enne jätkamist nõu asjatundjalt.
- Veenduge, et inimesed ja loomad ei oleks töö ajal lähemal kui 15 meetrit. Kui samas kohas töötab mitu kasutajat, peab ohutusvahemaa olema vähemalt 15 meetrit. Vastasel juhul tekib raskete vigastuste oht. Seisake seade kohe, kui keegi läheneb. Ärge kunagi pöörake seadet ringi enne, kui olete selja taha vaadanud ja veendunud, et ohutsoonis pole kedagi.
- Veenduge, et inimesed, loomad või kõrvalised esemed ei mõjutaks teie kontrolli seadme üle ega puutuks kokku löikeosaga või löikeosast väljapaiskuvate lahtiste esemetega. Ärge kasutage kunagi seadet olukordades, kus te ei saa kutsuda abi õnnetuse korral.
- Veenduge, et saate turvaliselt seista ja liikuda. Vaadake, et läheduses ei oleks tükkeid, nagu juuri, kive, oksid, kraave jms, mis oleksid takistuseks juhul, kui tuleb kiiresti eemalduda. Olge eriti ettevaatlik kallakutel töötades.
- Kõndige ja ärge kunagi jookske.
- Vaadake üle tööpiirkond. Kõrvaldage kõik lahtised esemed, nagu kivid, klaasikillud, naelad, traadid, nõör ja muu taoline, mis võivad välja paiskuda või löikurisse või löikuri piiridesse kinni jääda.
- Jälgige, et lõigatud oksajupid teie pihta ei paiskuks. Ärge lõigake liiga lähedal maapinnale, kus kivid ja muud esemed võivad õhku paiskuda.
- Kui seade on sisse lülitatud, siis jälgige, et riided või kehaosad ei puutuks vastu löikeosa. Hoidke seadet allpool puusa kõrgust.
- Hoiduge eemalpaiskuvate esemete eest. Kasutage alati heakskiidetud kaitseprille. Ärge kummarduge vaatama kaitsekatte taha! Kivid, prügi jms esemed või osakesed võivad lennata silma ja põhjustada ohtlikke kahjustusi või isegi pimedaksjäämist.
- Kui kasutate kõrvaklappe, olge tähelepanelik hõigete ja hoiatussignaalide suhtes. Eemaldage kõrvaklapid kohe, kui seade on seiskunud.
- Kui tekib ebasoovitav vibratsioon, kerige jõhvi välja, et anda jõhvile õige pikkus, misjärel peaks vibratsioon vaibuma.

- Kui seade hakkab ebatavaliselt vibreerima, siis peatage masin ja eemaldage aku.
- Tugeva vibratsiooniga töötamine võib põhjustada vereringe- või närvikahjustusi, eriti neil, kel on vereringehäireid. Pöörduge arsti poole, kui ilmneb nähte, mis võivad olla vibratsioonist põhjustatud. Sellisteks sümptomiteks on näiteks tundetus, surin, torkiv tunne, valu, nõrkus, muutused nahavärvis või naha seisukorras. Nimetatud nähtused esinevad tavaliselt sõrmedes, käelabades ja randmetes.
- Hoidke seadet alati kahe käega. Hoidke seadet endast paremal.

## Isikukaitsevahendid



**HOIATUS:** Enne toote kasutamist loe läbi järgnevad hoiatused.

- Seadmega töötamisel tuleb kasutada ettenähtud isikukaitsevarustust. Isikukaitsevarustus ei välista täielikult kehavigastuste ohtu, kui vähendab õnnetusjuhtumi korral kehavigastuse raskusastet. Õige varustuse valimiseks pöörduge edasimüüja poole.
- Kaitsekiivrit, kohtades, kus on langevate esemete oht.
- Kandke alati sobiva summutusvõimega kuulmiskaitsemeid. Pikaajaline müra võib tekitada püsiva kuulmiskahjustuse.
- Kanna heakskiidetud kaitseprille. Näokaitseme kasutamisel tuleb lisaks kasutada heakskiidetud kaitseprille. Heakskiidetud kaitseprillide all mõeldakse selliseid prille, mis vastavad standardile ANSI Z87.1 USA-s või EN 166 Euroopa Liidu riikides.
- Näo kaitsemiseks kasutage visiiri. Visiir ei ole silmade kaitsemiseks piisav.

(Joon. 19)

- Vajaduse korral kandke kaitsekindaid, näiteks löikeosa kinnitades, kontrollides või puhastades.
- Kandke tugevaid, mittelibisevaid saapaid.
- Kandke vastupidavast materjalist riideid. Kandke alati pikki raskeid pükse ja pikki varrukaid. Hoiduge liiga avaratest rõivastest, mis võivad okstesse takerduda. Ärge kandke ehteid, lühikesi pükse, lahtiseid jalatseid ega käige paljajalu. Kinnitage juuksed ohutult õlgadest kõrgemale.

(Joon. 20)

- Hoidke esmaabikomplekt käepärast.

(Joon. 21)

## Toote ohutusseadised



**HOIATUS:** Enne toote kasutamist lugege läbi järgmised hoiatused.

Selles alalõigus kirjeldatakse masina turvavarustust, selle otstarvet ning kuidas läbi viia kontrollid ja hooldust, tagamaks masina nõuetekohane töö. Vaadake pealkirja all olevaid juhiseid, *Sissejuhatus lk 119* et teada saada, kus need osad teie tootel asuvad.

Kui seadet ei hooldata õigesti ja korrapäraselt ning seadet ei paranda asjatundja, võib seadme tööiga lüheneda ja tekkida õnnetuste oht. Kui vajate täiendavat infot, pöörduge lähimasse teenindusse.



**HOIATUS:** Ärge kunagi kasutage toodet, mille turvavarustus on kahjustatud. Ohutusvarustust tuleb käesolevas lõigus toodud eeskirjade kohaselt hooldada ja kontrollida. Kui seade ei vasta ohutusnõuetele, laske see parandada hooldustöökojas.



**ETTEVAATUST:** Seadme hooldus ja parandamine nõuab eraldi väljaõpet. Eriti oluline on see seadme ohutusvarustuse puhul. Kui seade ei vasta allpool toodud nõuetele, viige see hoolduspunkti. Meie toodetele on tagatud professionaalne hooldus ja parandus. Kui seadme edasimüüja ei tegele hooldusega, paluge tal juhatada teid lähimasse hoolduspunkti.

## Kasutajaliidese kontrollimiseks toimige järgmiselt

1. Vajutage käivitus- ja seiskamisnupp (A) ja hoidke seda allavajutatuna.
  - a) Kui ekraani valgustus (B) süttib, on seade sisse lülitatud. (Joon. 22)
  - b) Kui ekraani valgustus kustub, on toode välja lülitatud.
2. Kui ekraanil põleb või vilgub hoiatusindikaator, vt jaotist *Kasutajaliides lk 129*.

## Toitelüliti lukustuse kontrollimine

Toitelüliti lukustusfunktsioon väldib seadme juhuslikku käivitamist. Kui lükkate toitelüliti lukustuse edasi (A) ja seejärel vajutate selle vastu käepidet (B), vabastatakse toitelüliti (C). Käepidemest lahti lastes lähevad nii toitelüliti kui ka lukustus tagasi algasendisse. Seda liigutust juhivad kolm iseseisvat vedru. (Joon. 23)

1. Jälgige, et toitelüliti oleks lüliti lukustuse algasendis lukustatud. (Joon. 24)
2. Vajutage toitelüliti ning veenduge, et kui selle vabastate, liigub see algasendisse tagasi. (Joon. 25)
3. Veenduge, et toitelüliti ja toitelüliti lukustus liiguvad takistamatult ning tagastusvedru töötaks õigesti.
4. Käivitage seade, vt jaotist *Toote käivitamine lk 127*.
5. Rakendage täispöörded.

6. Vabastage toitelüliti ja veenduge, et lõikeosa peatuks ja jääks paigale.

## Lõikeosa kaitsme kontrollimine



**HOIATUS:** Ärge kasutage lõikeosa ilma heakskiidetud ja õigesti kinnitatud lõikeosa kaitsmeta. Kasutage alati lõikeosa kaitset, mis on ette nähtud just selle lõikeosa jaoks, mida te kasutate, vt *Lisavarustus lk 131*. Vale või vigane lõikeosa kaitse võib põhjustada raskeid kehavigastusi.

Lõikeosa kaitse takistab esemete paiskumist seadmekasutaja suunas. Samuti aitab see ära hoida kehavigastusi, mida võib tekitada lõikeosa puudutamine.

1. Seisake seade ja eemaldage aku.
2. Otsige kahjustusi, näiteks pragusid. (Joon. 26)
3. Kui lõikeosa kaitse on kahjustunud, vahetage see välja.

## Trimmeripea

- Kasutage sobivat trimmeripead, lõikeosa ja soovitatud trimmerijõhvi. Vaadake juhendi lõpus olevaid lõike „Kokkupanek“ ja „*Lisavarustus lk 131*“.
- Kontrollige, et trimmerikaitses peal asetsev lõikur ei oleks kahjustatud.
- Seadme ebatavalise vibreerimise vältimiseks veenduge, et trimmerijõhv oleks keritud tihkelt ja ühtlaselt ümber ketta. Erinevad juhtme pikkused võivad põhjustada mittevajalikku vibratsiooni. Koputage trimmeripead, et saavutada jõhvi õige pikkus.

Jõhvi eluea pikendamiseks võib sellel lasta enne paigaldamist 2 päeva vees liguneda. See muudab jõhvi vastupidavamaks.

## Ohutusjuhised kokkupanekul



**HOIATUS:** Lugege need juhised enne seadme kasutamist hoolikalt läbi, veenduge, et saate neist aru, ja järgige neid.

- Enne toote kokkumonteerimist eemaldage aku.
- Kandke heakskiidetud kaitsekindaid.
- Kui kaitse on katki või pole töökorras, võib see kaasa tuua kehavigastuse. Ärge kasutage lõikeosa, mille külge ei ole kinnitatud heakskiidetud kaitset.
- Enne mootori käivitamist veenduge, et kinnitasite katte ja võlli õigesti.
- Veoketas ja tugiäärki peavad sobituma õigesti lõikeosa keskvasse. Valesti kinnitatud lõikeosa võib põhjustada kehavigastuse või surma.
- Kui lõikeosaga on kaasas kanderihmad, peavad need olema õigesti toote külge kinnitatud. Kanderihmad muudavad kasutamise ohutuks ning aitavad vältida kasutaja ja teiste isikute vigastusi.

## Ohutusjuhised hooldamisel



**HOIATUS:** Enne seadme hooldustööde tegemist lugege läbi järgnevad hoiatused.

- Eemaldage aku enne hooldustööde või muude kontrolltoimingute või seadme kokkupanemise alustamist.
- Seadme kasutaja tohib teha üksnes käesolevas kasutusjuhendis kirjeldatud hooldustöid. Mahukamate hooldustööde tegemiseks pöörduge hooldusesindusse.
- Ärge puhastage akut või akulaadijat veega. Tugevatoimeline pesuvahend võib kahjustada plastidetaile.

- Kui hooldustöid ei tehta, siis seadme kasutamisega lüheneb ja õnnetuste oht kasvab.
- Kõigi hooldus- ja parandustööde tegemiseks (eriti seadme ohutusseadiste juures) on vajalik eriväljaõpe. Kui pärast hooldustööde tegemist ei läbi seade kõiki käesolevas kasutusjuhendis kirjeldatud kontrolltoiminguid, siis pöörduge hooldusesinduse poole. Garanteerime, et hooldusesinduses tehakse teie seadmele professionaalsel tasemel remondi- ja hooldustööd.
- Kasutage ainult originaalvaruosi.
- Lõikeosa remontimisel kandke alati tugevaid kindaid. Lõiketerad on äärmiselt teravad ja võivad kergesti põhjustada kehavigastusi.

## Kokkupanek

### Silmuskäepideme paigaldamine

1. Kinnitage silmuskäepideme varrel olevate noolte vahele. Ärge asetage silmuskäepideme ega suspensiooni sildi peale. (Joon. 27)
2. Seadista silmuskäepideme seda vastavalt nihutades.
3. Kinnitage mutter, nupp ja kruvi, aga ärge liigselt pingutage.
4. Reguleerige kõrvaklapid mugavasse asendisse.
5. Pingutage polti.

### Lõikevarustuse paigaldamine

Lõikevarustus hõlmab lõikeosa ja lõikeosakaitset.



**HOIATUS:** Kasutage kaitsekindaid.



**HOIATUS:** Kasutage alati konkreetse lõikeosa jaoks soovitatud lõikeosakaitset. Vt jaotist *Tehnilised andmed lk 130*.



**HOIATUS:** Valesti kinnitatud lõikeosa võib põhjustada kehavigastuse või surma.

### Lõikeosa kaitse paigaldamine

1. Kinnitage lõikeosa kaitse (A) plaadihoidja (B) konksu külge. (Joon. 28)
2. Paigaldage lõikeosa kaitse völliile ja pingutage see poldiga (C).

### Lõikeosa kaitse eemaldamine

- Lõdvendage polt (C) ja eemaldage lõikeosa kaitse (A) völliilt. (Joon. 29)

### Trimmeripeade kokkupanek



**HOIATUS:** Lõikeosa paigaldamisel on väga tähtis, et veoketta/tugijääriku kõrgem osa satuks õigesti lõikeosa keskvasse. Valesti paigaldatud lõikeosa võib põhjustada raskeid ja/või eluohtlikke vigastusi.



**HOIATUS:** Lõikeosa ei tohi mingil juhul kasutada, paigaldamata heakskiidetud kaitsekate. Vt jaotisest *Lisavarustus lk 131*. Vale või vigane kaitsekate võib põhjustada inimestele raskeid vigastusi.

### Trimmeripea paigaldamine

1. Paigaldage väljuvale völliile veoketas (B).
2. Pöörake väljuvat völli, kuni üks veoketta avadest satub kohakuti ülekande avaga.
3. Pange aku splint (C), et völli lukustuks.
4. Pöörake trimmipead (H) kinnitamiseks vastupäeva. (Joon. 30)

### Trimmeripea eemaldamine

1. Pange aku splint (C), et völli lukustuks.
2. Pöörake trimmipead (H) eemaldamiseks päripäeva.
3. Paigaldage väljuvale völliile veoketas (B). (Joon. 30)

## Sissejuhatus



**HOIATUS:** Enne toote kasutamist lugege läbi ohutuspeatükk ja veenduge, et oleksite kõigest aru saanud.

## Aku ühendamine seadmega.



**HOIATUS:** Kasutage seadmes ainult Husqvarna originaalakusid.

1. Veenduge, et aku oleks täis laetud.
2. Lükake aku seadme akupessa. Aku on kohale lukustunud, kui kuulete klõpsatust. (Joon. 31)



**ETTEVAATUST:** Kui aku ei liigu sujuvalt akupessa, siis on aku asend vale. See võib toodet kahjustada.

3. Veenduge, et aku oleks õigesti paigaldatud.

## Töösend

- Hoidke seadet mõlema käega.
- Hoidke seadet endast paremal.
- Hoidke seadet puusa kõrgusel.
- Hoidke kehaosad kuumadest pindadest eemal.
- Hoidke kehaosad löikeosast eemal.

## Enne toote kasutamist

- Uurige tööala ja veenduge, et tunnete maastikku, maapinna kallakut, ja teate, kas leidub takistusi, nagu kivid, oksad ja kraavid.
- Vaadake seade täielikult üle.
- Teostage selles juhendis toodud ohuskontrollid ja hooldus.
- Veenduge, et kõik katted, kaitsmed, käepidemed ja löikevarustus oleks õigesti kinnitatud ega oleks kahjustatud.
- Kontrollige, et tugijääril ei oleks mõrsid. Kahjustatud tugijääril tuleb välja vahetada.

(Joon. 32)

- Kontrollige, et trimmipeal ega löikeosakaitsmel ei oleks kahjustusi ega mõrsid. Kui trimmipea või löikeosakaitsel on saanud löögi või kui nendes on mõrsid, vahetage need välja.

(Joon. 33)

## Toote käivitamine

1. Vajutage ja hoidke käivitusnuppu seni, kuni süttib roheline LED-tuli. (Joon. 34)
2. Reguleerige kiirust toitelüliti abil.

## Maksimaalse kiiruse piiramine režiiminupuga

Seadmel on ka režiiminupp. Režiiminupuga saab seadme kasutaja piirata maksimaalset kiirust. Režiiminupul on 3 kiiruse taset. Madalam tase pikendab seadme tööaega. Kui tehtava töö jaoks pole vaja panna mootorit tööle maksimumkiirusel/täisvõimsusel, kasutage tasemeid 1 ja 2. Kui tööolukord nõuab täispõrdeid/täisvõimsust, kasutage taset 3. Ärge kasutage kõrgemat taset, kui on tööolukorras vaja.

1. Maksimaalse kiiruse piiramiseks vajutage režiiminupu. Süttivad valged LED-tuled, mis näitavad, et funktsioon on sisse lülitatud. (Joon. 35)
2. Järgmise kiirustaseme valimiseks vajutage režiiminuppu uuesti.

## Automaatse seiskamise funktsioon

Seadmel on seiskamisfunktsioon, mis peatab toote, kui seda ei kasutata.

## Muru pügamine trimmipeaga

### Muru pügamine

1. Hoidke trimmipead nurga all maapinna kohal. (Joon. 36) Ärge vajutage trimmerijõhvi rohu sisse.
2. Esemete või rajatiste lähedal asuva muru pügamisel rakendage 80% kiirust. (Joon. 37)

### Rohu lõikamine

1. Lõikamisel jälgige, et rohutrimmeri jõhv asuks maapinnaga paralleelselt. (Joon. 38)
2. Ärge vajuta trimmipead vastu maapinda. See võib kahjustada maapinda ja toodet.
3. Jälgige, et trimmeripea ei puutuks pidevalt vastu maapinda, sest see võib trimmeripead kahjustada.
4. Kui liigutate muru lõigates toodet küljelt-küljele, rakendage täisgaasi. (Joon. 39) Veenduge, et murutrimmeri jõhv asuks maapinnaga paralleelselt.

### Muru eemalepühkimine

Pöörleva trimmerijõhvi ümber tekkivat õhuvoolu saab kasutada lõigatud muru alalt eemaldamiseks.

1. Hoidke trimmipead ja jõhvi maapinna kohal maapinnaga paralleelselt.
2. Rakendage täispõrdeid.
3. Liigutage trimmipead küljelt küljele ja pühkige muru.



**HOIATUS:** Alati kui paigaldate uue jõhvi, puhastage trimmipea katet, et vältida tasakaalust väljas olekut ja vibratsioone

käepidemetes. Kontrollige ja vajaduse korral puhastage ka trimmipea muid osi.

2. Vajutage seiskamisnuppu. (Joon. 34)
3. Vajutage aku vabastusnuppe ja tõmmake aku välja. (Joon. 40)

## Toote seiskamine

1. Vabastage toitelüliti või toitelüliti lukk.

## Hooldamine

### Sissejuhatus



**HOIATUS:** Enne seadme hooldamist lugege põhjalikult läbi ohutust puudutav jaotis.

### Hooldusgraafik



**HOIATUS:** Enne hooldustööde alustamist eemaldage aku.

Allpool on esitatud loend seadme hooldustöödest, mida peab tegema seadme kasutaja.

Hooldus	Iga päev	Iga nädal	Iga kuu
Puhastage toote välised osad kuiva lapiga. Ärge kasutage vett.	X		
Kontrollige, kas käivitus- ja seiskamisnupp töötab korralikult ja on kahjustamata.	X		
Kontrollige, et toitelüliti ja toitelüliti lukustus töötaksid ohutult ja nõuetekohaselt.	X		
Kontrollige, kas kõik juhtseadised töötavad korralikult ja on kahjustamata.	X		
Hoidke käepidemed kuivad, puhtad ning õli- ja määrdevabad.	X		
Veenduge, et lõikeosa oleks kahjustamata. Kui lõikeosa on kahjustunud, vahetage see välja.	X		
Veenduge, et lõikeosa kaitse ja tera ei oleks kahjustatud. Kui lõikeosa kaitse või tera on kahjustatud, vahetage need välja.	X		
Veenduge, et mutrid ja kruvid oleksid pingutatud.	X		
Veenduge, et aku vabastusnupud töötaksid ning lukustaksid aku kindlalt seadme külge.	X		
Veenduge, et aku ei oleks kahjustatud.	X		
Veenduge, et aku oleks laetud.	X		
Kontrollige, kas akulaadija on kahjustamata ja töötab korralikult.	X		
Kontrollige kõiki juhtmeid, liitmikke ja ühendusi. Veenduge, et need poleks kahjustatud ega määrduvad.		X	
Veenduge, et koonusülekanne on reduktoormäärdega õigesti täidetud, vt <i>Nurkreduktori määramine lk 128</i> . Kui mitte, siis kasutage Husqvarna reduktoormääret.		X	
Kontrollige aku ja seadme vahelisi ühendusi. Samuti kontrollige aku ja akulaadija vahelisi ühendusi.			X

## Seadme, aku ja akulaadija puhastamine

1. Pärast kasutamist puhastage seade kuiva riidelapiga.
2. Puhastage aku ja akulaadija kuiva riidelapiga. Hoidke akujuhikuid puhtana.

3. Enne aku asetamist akulaadijasse või tootesse veenduge, et aku ja akulaadija klemmid oleksid puhtad.

## Nurkreduktori määramine

1. Eemalda lõikeosa.



- Aseta toode selliselt, et määrdekork jääb kõrgeimasse asendisse.
- Eemalda määrdekork. (Joon. 41)
- Vaata määrdekordi avasse ja pööra veovõlli. Määrde tase (A) peab olema võrdsel tasemel hammasratta hammastega (B). (Joon. 42)
- Kui määrdetase on liiga madal, täida reduktorit Husqvarna reduktorimäärdega. Täida aegamisi ja pööra veovõlli määrde lisamise ajal, lõpeta õige taseme (B) saavutamisel.



**ETTEVAATUST:** Määrde vale kogus võib reduktorit kahjustada.

- Paigalda määrdekork.

## Veaotsing

### Kasutajaliides

Probleem	Võimalikud tõrked	Võimalik lahendus
Aku LED-märgutuli vilgub oranžilt	Aku pinge on madal.	Laadige akut.
Tõrke-LED-tuli vilgub punaselt	Ülekoormus.	Lõikeosa on ummistunud. Seisake toode. Eemaldage aku. Eemaldage lõikeosalt võõrkehad.
	Temperatuuri kõrvalekalle.	Laske seadmel maha jahtuda.
	Toitelülitiit ja aktiveerimisnuppu tuleb vajutada samal ajal.	Vabastage toitelülitiit ja seade aktiveerub.
Seade ei käivitu	Mustus akukonnectoritel.	Puhastage akukonnectorid suruõhu või pehme harjaga.
Punane tõrke-LED-tuli põleb	Seade vajab hooldust.	Võtke ühendust hooldustöökojaga.

## Transportimine, hoiulepanek ja utiliseerimine

### Transportimine ja hoiustamine

- Tarnitud liitiumioonakud vastavad ohtlike ainete eeskirjade nõuetele.
- Täitke kaubanduslikule transpordile kehtestatud pakendamise ja märgistamise erinõudeid (sh kolmandate osapoolte või ekspediitorite teenuseid kasutades).
- Enne seadme lähetamist konsulteerige isikuga, kes on läbinud ohtlike ainete käitlemise alase erikoolituse. Järgige kõiki kehtivaid riiklikke eeskirju.
- Enne aku pakendisse asetamist katke lahtised kontaktid isoleerteibiga. Asetage aku pakendisse tihkelt, et see ei saaks liikuma hakata.
- Hoiustamise ja transpordi ajaks tuleb aku eemaldada.
- Asetage aku ja akulaadija kohta, mis on kuiv ja mida ei ähvarda niiskus ega jäätumine.
- Ärge hoidke akut kohas, kus võib tekkida staatiline elekter. Ärge hoidke akut metallkastis.

- Hoidke akut ruumis, mille temperatuur püsib vahemikus 5...25°C (41...77°F) ja kus aku on varjatud otsese päikesevalguse eest.
- Hoidke akulaadijat ruumis, mille temperatuur püsib vahemikus 5...45°C (41...113°F) ja kus akulaadija on varjatud otsese päikesevalguse eest.
- Kasutage akulaadijat üksnes juhul, kui ümbritsev temperatuur on vahemikus 5...40°C.
- Enne aku pikemaajalist hoiustamist laadige see 30–50% ulatuses täis.
- Hoidke akulaadijat ruumis, mis on suletud ja kuiv.
- Ladustamisel hoidke aku akulaadijast eemal. Ärge lubage lastel ja teistel volitamata isikutel seadmeid puutuda. Hoidke seadmeid lukustatavas ruumis.
- Enne seadme pikemaajalist hoiustamist puhastage seade ja tehke sellele täishooldus.
- Transportimise ja hoiustamise ajal kasutage tootel olevat transpordikaitset, et vältida inimeste kehavigastusi ja toote kahjustusi.
- Kinnitage seade transpordi ajaks turvaliselt.

## Aku, akulaadija ja seadme kasutuselt kõrvaldamine

Tootel või selle pakendil olevad sümbolid näitavad, et toodet ei tohi visata olmeprügi hulka.

Toimetage see elektri- ja elektroonikajäätmete

ringlussevõtukeskusesse. Nii aitate vältida keskkonna ja inimeste kahjustamist.

Kui soovite lisateavet oma toote ringlussevõtu kohta, võtke ühendust kohalike ametiasutuste, olmejäätmete käitleja või edasimüüjaga.

## Tehnilised andmed

### Tehnilised andmed

	<b>325iL</b>
<b>Mootor</b>	
Mootori tüüp	BLDC (harjadeta) 36 V
Väljuva võlli pöörlemiskiirus, 1/min	5800
Lõikelaius, mm	420
<b>Kaal</b>	
Kaal ilma aku ja lõikeosata, kg	3,0
<b>Müratasemed</b> <sup>22</sup>	
Helivõimsuse tase, mõõdetud dB(A)	93
Müravõimsustase, garanteeritud L <sub>WA</sub> dB(A)	96
<b>Müratase</b> <sup>23</sup>	
Ekvivalentne mürarõhutase kasutaja kõrva juures, mõõdetud ISO 22868 järgi, dB(A).	
Originaaltrimmipeaga	84
<b>Vibratsioonitase</b> <sup>24</sup>	
Käepidemete vibratsioonitasemed, mõõdetud ISO 22867 järgi, m/s <sup>2</sup>	
Originaalse eesmise/tagumise muruniiduki peaga, m/s <sup>2</sup>	4,3/2,9

<sup>22</sup> Müraemissioon ümbritsevasse keskkonda, mõõdetud helivõimsuse tasemena (LWA) vastavalt EÜ direktiivile 2000/14/EÜ Seadme antud müratase mõõdeti enim müra tekitava originaal lõikeosa kasutamisel. Erinevus garanteeritud ja mõõdetud helivõimsustaseme vahel seisneb selles, et direktiivi 2000/14/EÜ alusel hõlmab garanteeritud helivõimsustase ka mõõtmistulemuste dispersiooni ja kõrvalekaldeid sama mudeli erinevate seadmete vahel.

<sup>23</sup> Antud andmetel seadme helirõhutase ekvivalendi kohta on statistiline tüüpiline 3 dB(A) (standardne kõrvalekalle) ja on mõõdetud originaalse lõikeosaga, mis annab kõrgeima taseme.

<sup>24</sup> Vibratsioonitase kohta toodud andmete tüüpiline statistiline dispersioon (standardhälve) on 2 m/s<sup>2</sup>. Akuga ja põlemismootoriga seadmete vibratsioonitasemete võrdlemiseks kasutatakse vibratsioonikalkulaatorit. <https://www.husqvarna.com/uk/services-solutions/vibration-calculator/>.

## Heakskiidetud akud

<b>Aku</b>	<b>BLI 200</b>
Tüüp	Liitiumioonaku
Aku mahtvus, Ah	5,2
Nimipinge, V	36
Kaal, kg	1.3 (2.9)

## Heakskiidetud akulaadijad

<b>Akulaadija</b>	<b>QC330</b>
Sisendpinge, V	100–240
Sagedus, Hz	50–60
Võimsus, W	330

---

## Lisavarustus

---

## Tarvikud

Heakskiidetud tarvikud	Lisavarustuse tüüp	Lõikeosakaitse, tootenr
Lõiketerade/nugade keskava, Ø 25,4 mm		
Väljundvõlli keere M10		
Trimmeripea	T35 (trimmerijõhv Whisper, kuni Ø 2,4 mm)	597 01 62-02

# Vastavusdeklaratsioon

## EL-i vastavusdeklaratsioon

Husqvarna AB, SE-561 82 Huskvarna, Rootsi, tel: +46  
3614 6500, kinnitab ainuvastutusel, et toode:

<b>Kirjeldus</b>	Akumurutrimmer
<b>Kaubamärk</b>	Husqvarna
<b>Tüüp/mudel</b>	325iL
<b>Identifitseerimine</b>	Seerianumbrid alates 2023. aastast

vastab täielikult järgmistele EÜ direktiividele ja määrustele:

Direktiiv/eeskirin	Kirjeldus
2006/42/EÜ	„masinadirektiiv“
2014/30/EMÜ	„elektromagnetilise ühilduvuse direktiiv“
2011/65/EL	„ohtlike ainete piiramise direktiiv“
2000/14/EÜ	„välitingimustes kasutatavate seadmete müra direktiiv“

ja et kohalduvad järgmised standardid ja/või tehnilised spetsifikatsioonid: EN 62841-1:2015/AC:2015, EN 62841-4-4 (IEC 62841-4-4:2020), EN 61000-6-1:2007 (Immunity), EN 61000-6-3:2007/A1:2011/AC:2012 (Emission).



RISE SMP Svensk Maskinprovning AB, Box 4053, SE-904 03 Umeå, Sweden on läbinud vabatahtliku tüübikontrolli vastavalt 2006/42/EÜ IX lisale. Sertifikaadi nr: SEC/23/2579.

Notified body: 0404, RISE SMP Svensk Maskinprovning AB, Box 4053, SE-904 03 Umeå, Sweden on ka kinnitanud vastavust nõukogu direktiivi 2000/14/EÜ lisale VI.

Lisateavet mürataseme kohta vt jaotisest *Tehnilised andmed lk 130*.

Huskvarna, 2022-12-01

Stefan Holmberg, uurimis- ja arendustegevuse juht, tehnoloogiahooldus, Husqvarna AB

Tehnilise dokumentatsiooni eest vastutaja

---

## Sisällys

---

Johdanto.....	133	Kuljettaminen, säilyttäminen ja hävittäminen.....	143
Turvallisuus.....	134	Tekniset tiedot.....	144
Asentaminen.....	140	Tarvikkeet.....	145
Käyttö.....	141	Vaatimustenmukaisuusvakuutus.....	146
Huolto.....	142	Liite .....	447
Vianmääritys.....	143		

---

## Johdanto

---

### Tuotekuvaus

Husqvarna 325iL on akkukäyttöinen ruohotrimmeri, jossa on sähkömoottori.

Käytön aikaista turvallisuutta ja tehokkuutta kehitetään jatkuvasti. Lisätietoja saat huoltoliikkeestä.

### Käyttötarkoitus

Käytä laitteessa siimapäättä eri kasvillisuustyypien leikkaamiseen. Älä käytä laitetta muuhun kuin ruohontrimmaukseen ja ruohonraivaukseen.

### Tuotteen kuvaus

(Kuva 1)

1. Käyttöohje
2. Kulmavaihde
3. Aukko lukkotappia varten
4. Siimapää
5. Terälaitteen suojus
6. Jousilevy
7. Yhdistelmäavain
8. Kaarikahva
9. Nuppi
10. Runkoputki
11. Lukkotappi
12. LED-varoitusvalo
13. Käynnistys-/pysäytyspainike
14. Nopeustilapainike
15. Käyttöliipaisimen varmistin
16. Käyttöliittymä
17. Käyttöliipaisin
18. Akkulaturin johto
19. Akkulaturi
20. Virran ja varoitusten merkkivalo
21. Akun vapautuspainikkeet
22. Akku
23. Varaustilan LED-merkkivalo
24. Varoitusmerkkivalo
25. Akun varaustilan painike

**Huomaus:** Käyttöä säädellään mahdollisesti kansallisilla tai paikallisilla määräyksillä. Noudata ilmoitettuja määräyksiä.

---

Käytä laitteessa vain valmistajan hyväksymiä lisävarusteita. Katso *Tarvikkeet sivulla 145*.

### Tuotteen symbolit

(Kuva 2) VAROITUS: Laite voi olla vaarallinen! Huolimaton tai virheellinen käyttö saattaa aiheuttaa käyttäjälle tai sivullisille vakavia vammoja tai kuoleman. On erittäin tärkeää, että luet ja ymmärrät tämän käyttöohjeen sisällön. Lue käyttöohje huolellisesti ja varmista, että ymmärrät sen sisällön, ennen kuin alat käyttää laitetta.

(Kuva 3) Käytä hyväksytyjä kuulonsuojaimia. Käytä hyväksytyjä suojalaseja.

(Kuva 4) Enimmäisnopeus tai nopeus kuormittamattomana.

XXXX /min  
tai min<sup>-1</sup> | Kierroksia tai edestakaisia liikkeitä minuutissa.

(Kuva 5) Nimellisjännite, V

(Kuva 6) Tasavirta.

(Kuva 7) Laite täyttää voimassa olevien EY-direktiivien vaatimukset.

(Kuva 8) Tämä tuote täyttää sovellettavissa olevien UK-säädösten vaatimukset.

- (Kuva 9) Käytä hyväksytyjä suojakäsineitä. voi johtaa vakaviin silmävammoihin, mikäli suositeltuja suojaimeja ei käytetä.
- (Kuva 10) Käytä kestäviä luistamattomia jalkineita. (Kuva 14) Irrota akku ennen huoltotoimenpiteitä.
- (Kuva 11) Käytä vain joustavaa terälaitetta. Älä käytä metallisia terälaitteita. (Kuva 15) Tuote on suojattu roiskuvulta vedeltä.
- (Kuva 12) Tuotteessa tai sen pakkauksessa olevat symbolit osoittavat, ettei tuotetta saa hävittää kotitalousjätteen mukana. Tuote on vietävä kierrätykseen asianmukaiseen kierrätyskeskukseen. (Kuva 16) Pidä kaikki kehon osat poissa kuumilta pinnoilta.
- (Kuva 13) Lisälaitte voi singota rajulla voimalla esineitä, jotka voivat kimmota takaisin. Se (Kuva 17) Melupäästöt ympäristöön -tarra EU:n ja Yhdistyneen kuningaskunnan direktiivien ja säädösten mukaisesti sekä Uuden Etelä-Walesin "Protection of the Environment Operations (Noise Control) Regulation 2017" -asetuksen mukaisesti. Tuotteen taattu äänentehotas on määriteltä kohdassa *Tekniset tiedot sivulla 144*.

yyyywwxxxx

Tyyppikilvessä näkyy sarjanumero, jossa **yyyy** on valmistusvuosi, **ww** on valmistusviikko ja **xxxx** on sarjanumero.

(Kuva 18)

Käyttäjän on varmistettava, että ihmiset ja eläimet ovat vähintään 15 metrin päässä laitteesta työn aikana. Kun useita laitteita käytetään samassa paikassa, on käyttäjien välisen turvaetäisyyden oltava vähintään 15 metriä.

**Huomautus:** Muita tuotteen symboleita/tarroja tarvitaan muilla markkina-alueilla ilmaisemaan sertifiointivaatimuksia.

- tuote on korjattu virheellisesti
- tuotteen korjaamiseen on käytetty muita kuin valmistajan omia tai sen hyväksymiä osia
- tuotteessa on muu kuin valmistajan oma tai sen hyväksymä lisävaruste
- tuotetta ei ole korjattu valtuutetussa huoltopisteessä tai hyväksytyllä asiantuntijalla.

## Tuotteen vaurioituminen

Emme ole vastuussa tuotteen vaurioitumisesta, jos:

## Turvallisuus

### Turvallisuusmääritelmät

Varoituksia, huomioita ja huomautuksia käytetään, kun jotakin käyttöohjeen osaa halutaan erityisesti korostaa.



**VAROITUS:** Tätä käytetään, jos käyttöohjeen noudattamatta jättämisestä voi seurata käyttäjän tai sivullisen vamma tai kuolema.



**HUOMAUTUS:** Tätä käytetään, jos käyttöohjeen noudattamatta jättämisestä voi seurata koneen, muiden materiaalien tai ympäristön vaurioituminen.

**Huomautus:** Tätä käytetään tietyissä tilanteissa tarvittavien lisätietojen antamiseen.

### Yleiset sähkötyökaluja koskevat varoitukset



**VAROITUS:** Lue kaikki tämän sähkötyökalun mukana tulevat turvavaroitukset, ohjeet, kuvat ja tekniset tiedot. Alla olevien ohjeiden noudattamatta jättäminen voi johtaa sähköiskuun, tulipaloon ja/tai vakavaan tapaturmaan.

- **Säästä kaikki varoitukset ja ohjeet tulevaan käyttöä varten.** Varoituksissa termillä "sähkötyökalu" tarkoitetaan verkkosähköllä toimivaa (johdollista) sähkötyökalua tai akkukäyttöistä (johdotonta) sähkötyökalua.

### Työalueen turvallisuus

- **Pidä työalue slistinä ja hyvin valaistuna.** Sotkuiset tai hämärät alueet ovat alttiita onnettomuuksille.

- **Älä käytä sähkötyökaluja räjähdysherkässä ympäristössä, esimerkiksi herkästi syttyvien nesteiden, kaasujen tai pölyn läheisyydessä.** Sähkötyökaluista lähtevät kipinät voivat sytyttää pölyn tai kaasut.
- **Pidä lapset ja sivulliset poissa, kun käytät sähkötyökalua.** Häiriöt voivat saada sinut menettämään työkalun hallinnan.
- **Pukeudu oikein. Älä käytä löysästi istuvia vaatteita tai koruja. Pidä hiukset ja vaatteet etäällä liikkuvista osista.** Löysät vaatteet, korut tai pitkät hiukset voivat tarttua liikkuviin osiin.
- **Jos käytettävissä on kytkentämahdollisuus pölynpoistojärjestelmälle, varmista, että se kytketään ja että sitä käytetään oikein.** Pölynpoistojärjestelmän käyttö voi vähentää pölyyn liittyviä riskejä.
- **Vaikka olisit käyttänyt työkaluja usein ja tuntisit ne hyvin, muista aina ottaa huomioon työkalun turvamääräykset.** Huolimaton toiminta voi aiheuttaa vakavia vahinkoja sekunnin murto-osassa.

## Sähköturvallisuus

- **Sähkötyökalun pistokkeen on sovittava pistorasiaan. Älä koskaan muuta pistoketta millään tavoin. Älä käytä mitään pistokesovittimia maadoitettujen sähkötyökalujen kanssa.** Muuttamattomat pistokkeet ja sopivat pistorasiat vähentävät sähköiskun vaaraa.
- **Varo koskettamasta maadoitettuja pintoja, kuten putkia, pattereita, liesiä ja jääkaappeja.** Sähköiskun riski kasvaa, jos käyttäjän keho on maadoitettu.
- **Älä altista sähkötyökaluja sateelle tai märille olosuhteille.** Sähkötyökaluun päässyt vesi lisää sähköiskun riskiä.
- **Älä vahingoita johtoa. Älä koskaan käytä johtoa kantamiseen, vämiseen tai pistokkeen irrottamiseen pistorasiasta. Pidä johto etäällä kuumuudesta, öljystä, terävistä reunoista tai liikkuvista osista.** Vialliset tai solmussa olevat johdot lisäävät sähköiskuvaaraa.
- **Kun käytät sähkötyökalua ulkona, käytä ulkotoiloihin sopivaa jatkojohtoa.** Ulkokäyttöön sopivan johdon käyttäminen vähentää sähköiskuvaaraa.
- **Mikäli sähkötyökalun käyttämisestä kosteassa ei voida välttää, käytä virtalähdettä, jossa on vikavirtasuojakytkin (RCD).** Vikavirtasuojakytkimen käyttö vähentää sähköiskun vaaraa.

## Henkilökohtainen turvallisuus

- **Pysy valppaana, katso mitä teet ja käytä tervettä järkeä käyttäessäsi sähkötyökalua. Älä käytä sähkötyökalua väsyneenä tai alkoholin, huumeiden tai lääkeyksen vaikutuksen alaisena.** Hetken epähuomio sähkötyökaluja käytettäessä voi johtaa vakavaan henkilövahinkoon.
- **Käytä henkilökohtaisia suojavarusteita. Pidä aina silmäsuojia.** Hengityssuojain, luistamattomat turvakengät, kypärä, kuulosuojaimet ja muut suojavarusteet niitä vaativissa oloissa käytettyinä vähentävät henkilövahinkoja.
- **Estä tahaton käynnistys. Varmista, että katkaisin on OFF-asennossa ennen virtalähteen ja/tai akun kytkemistä, työkaluun tarttumista tai sen kantamista.** Sähkötyökalujen kantaminen sormi katkaisijalla tai niiden kytkeminen sähköverkkoon tai akkuun katkaisimen ollessa päällä altistaa onnettomuuksille.
- **Irrota mahdolliset säätöavaimet ennen virran kytkemistä sähkötyökaluun.** Sähkötyökalun pyöryvään osaan kiinnitetty avain voi aiheuttaa henkilövahingon.
- **Älä kurota. Säilytä aina tukeva asento ja tasapaino.** Tämä mahdollistaa sähkötyökalun paremman hallinnan odottamattomissa tilanteissa.

## Sähkötyökalujen käyttö ja huolto

- **Älä pakota sähkötyökalua. Käytä käyttötarkoitukseen sopivaa sähkötyökalua.** Oikea sähkötyökalu tekee työn paremmin ja turvallisemmin nopeudella, jota varten se on suunniteltu.
- **Älä käytä sähkötyökalua, jos virtaa ei voi kytkeä ja katkaista virtakatkaisimella.** Mikä tahansa sähkötyökalu, jota ei voi hallita katkaisimella, on vaarallinen, ja se pitää korjata.
- **Irrota pistoke pistorasiasta ja/tai akku sähkötyökalusta, mikäli mahdollista, ennen kuin teet mitään säätöjä, vaihdat lisävarusteita tai varastoit sähkötyökalun.** Sellaiset varoimet vähentävät riskiä, että sähkötyökalu käynnistetään vahingossa.
- **Varastoi käyttämättömät sähkötyökalut pois lasten ulottuvilta, äläkä anna henkilöiden, jotka eivät tunne sähkötyökalua tai näitä ohjeita, käyttää sähkötyökalua.** Sähkötyökalut ovat vaarallisia kouluttamattomien käyttäjien käsissä.
- **Huolla sähkötyökaluja ja lisävarusteita. Tarkista, etteivät liikkuvat osat ole väärin suunnattuja tai tarttuvia, ettei mikään osa ole murtunut sekä kaikki muut tekijät, jotka voivat vaikuttaa sähkötyökalun toimintaan. Jos sähkötyökalu on vahingoittunut, korjauta se ennen käyttöä.** Monet onnettomuudet johtuvat huonosti huolletuista sähkötyökaluista.
- **Pidä leikkaustyökalut terävinä ja puhtaina.** Oikein huolletut leikkaustyökalut, joiden leikkausreunat ovat terävät, eivät juutu kiinni niin helposti ja ovat helpommin hallittavissa.
- **Käytä sähkötyökalua, lisävarusteita, teriä jne. näiden ohjeiden mukaisesti ottaen huomioon työskentelyolosuhteet ja suoritettavan työn laadun.** Sähkötyökalun käyttäminen ennakoituista poikkeavissa olosuhteissa voi johtaa vaaratilanteeseen.
- **Pidä kahvat ja tarttumapinnat kuivina, puhtaina ja öljyttöminä sekä puhtaana vaselinilla.** Liukkaat kahvat ja tarttumapinnat eivät mahdollista työkalun turvallista käsittelyä ja hallintaa odottamattomissa tilanteissa.

## Akkukäyttöisten työkalujen käyttö ja huolto

- **Lataa akku ainoastaan valmistajan tarkoitukseen nimeämällä laturilla.** Tietynlaiseen akustoon soveltuva laturi voi aiheuttaa tulipalon vaaran, jos sitä käytetään toisenlaisen akuston lataamiseen.

- **Liitä työkaluihin ainoastaan niissä käytettäviksi hyväksytyt akkuja.** Muunlaisten akkujen käyttö voi aiheuttaa tapaturmien tai tulipalon vaaran.
- **Kun akkua ei käytetä, pidä se etäällä metalliesineistä, kuten paperiliittimistä, kolikoista, avaimista, nautoista, ruuveista tai muista pienistä metalliesineistä, jotka saattavat aiheuttaa kosketuksen liittinten välillä.** Akkuliitinten saattaminen keskenään oikosulkuun voi aiheuttaa palovammoja tai tulipalon.
- **Akusta voi tihkua nestettä väärissä olosuhteissa. Vältä kosketusta akkunesteeseen. Jos akkunestettä joutuu iholle, huuhtele ihoalue vedellä. Jos neste joutuu kosketuksiin silmien kanssa, ota myös yhteys lääkäriin.** Akkuneste voi aiheuttaa ihoärsytystä tai palovammoja.
- **Älä käytä vaurioitunutta tai muutettua akkua tai työkalua.** Jos tuotteessa käytetään vaurioituneita tai muutettuja akkuja, tuote ei välttämättä toimi asianmukaisesti. Seurauksena saattaa olla tulipalo, räjähdys tai tapaturma.
- **Älä altista akkua tai työkalua tullelle tai korkeille lämpötiloille.** Laitteen altistuminen tullelle tai yli 130 °C:n lämpötilalle voi aiheuttaa räjähdyksen.
- **Noudata kaikkia latausohjeita äläkä lataa akkua tai työkalua ohjeissa määritetyn lämpötila-alueen ulkopuolella.** Akun lataaminen väärin tai sallituista lämpötiloista poikkeavissa olosuhteissa voi vahingoittaa akkua ja lisätä tulipaloriskiä.
- **Leikkurin nimellisyörimisnopeuden on oltava vähintään sama kuin koneeseen merkitty enimmäisyörimisnopeus.** Nimellisyörimisnopeuttaan nopeammin käytettävät leikkurit voivat hajota ja sinkoutua pois.
- **Käytä suojalaseja, kuulonsuojaimia, kypärää ja käsineitä.** Asianmukainen suojavarustus pienentää lentävistä roskista tai leikkusiiman tai terän tahattomasta koskettamisesta aiheutuvien henkilövahinkojen riskiä.
- **Käytä aina koneen käytön aikana luistamattomia suojajalkineita. Älä käytä konetta avojaloin tai avoimet sandaalit jalassa.** Tämä vähentää jalkojen loukkaantumisen vaaraa, jos ne osuvat leikkuriin, siimaan tai terään.
- **Käytä pitkiä housuja aina konetta käyttäessäsi.** Paljas iho lisää lentävistä esineistä aiheutuvan loukkaantumisen todennäköisyyttä.
- **Pidä sivulliset poissa, kun käytät konetta.** Sinkoutuvat roskat voivat johtaa vakavaan henkilövahinkoon.
- **Käytä konetta aina molemmin käsin.** Pidä koneesta kiinni molemmin käsin, jotta et menetä sen hallintaa.
- **Pitele konetta kädessäsi tarttumalla ainoastaan sen eristettyihin tartuntapintoihin, sillä leikkusiima tai terä voi osua näkymättömissä oleviin johtoihin.** Jos leikkusiima ja terät koskettavat jännitteellistä sähköjohtoa, myös koneen paljaisiin metalliosiin voi syntyä jännite, jolloin käyttäjä voi saada sähköiskun.
- **Pidä aina tukeva asento ja käytä konetta vain, kun seisoit maassa.** Liukkaat tai epätasaiset pinnat voivat aiheuttaa tasapainon tai koneen hallinnan menettämisen.
- **Älä käytä konetta hyvin jyrkissä rinteissä.** Tämä vähentää hallinnan menettämisen, liukastumisen ja kaatumisen vaaraa, josta voi aiheutua henkilövahinkoja.
- **Kun työskentelet rinteissä, pidä jalkasi tukevasti maassa. Käytä konetta aina sivusuunnassa rinteeseen nähden äläkä koskaan ala- tai yläsuunnassa. Ole erittäin varovainen, kun vaihdat suuntaa.** Tämä vähentää hallinnan menettämisen, liukastumisen ja kaatumisen vaaraa, josta voi aiheutua henkilövahinkoja.
- **Pidä kaikki kehon osat poissa leikkurin, siiman tai terän läheltä konetta käytön aikana.** Varmista ennen koneen käynnistämistä, että leikkuri, siima tai terä ei kosketa mitään. Hetken epähuomio konetta käyttäessä voi aiheuttaa vahinkoa sinulle itsellesi tai muille.
- **Älä käytä konetta vyötärötason yläpuolella.** Tämä auttaa estämään tahattoman leikkuri- tai teräkosketuksen ja mahdollistaa paremman koneen hallinnan odottamattomissa tilanteissa.
- **Varo takaiskimmahdusta, kun sahaat jännityksessä olevaa pensasta tai taimea.** Kun puun kuitujen jännitys vapautuu, jännittynyt pensas tai taimi voi osua käyttäjään ja/tai heittää konetta hallitsemattomasti.

## Huolto

- **Anna sähkötyökalun korjaaminen pätevän korjaajan tehtäväksi, joka käyttää vain täysin samanlaisia vaihtosuosia.** Tämä varmistaa, että sähkötyökalu säilyy turvallisena käyttäjä.
- **Älä koskaan huolla vahingoittuneita akkuja.** Akkua saavat huoltaa vain valmistaja ja valtuutetut palveluntarjoajat.

## Ruohotrimmerin, ruohoraivurin ja pensassahan turvavaroitukset

- **Älä käytä ruohonleikkuria epäsuotuisissa sääolosuhteissa, etenkin jos salamointi on mahdollista.** Näin pienennät salamaniskujen riskiä.
- **Tarkista perusteellisesti koneen käyttöalueella elävät luontokappaleet.** Luontokappaleet voivat loukkaantua koneen käytön aikana.
- **Tarkista koneen käyttöalue huolellisesti ennen käyttöä ja poista kaikki kivet, risut, johdot, luut ja muut vierasesineet.** Sinkoutuvat esineet voivat aiheuttaa henkilövahinkoja.
- **Tarkasta aina ennen käyttöä silmämääräisesti, että leikkuri tai terä ja leikkuri- tai teräkokooppa eivät ole vaurioituneet.** Vaurioituneet osat lisäävät loukkaantumisvaaraa.
- **Noudata lisävarusteiden vaihtoa koskevia ohjeita.** Huonosti kiristetyt terän kiinnitysmutterit tai -pultit voivat joko vahingoittaa terää tai aiheuttaa sen irtoamisen.



- **Ole erittäin varovainen sahatessasi pensaita ja taimia.** Ohut materiaali voi tarttua terään ja lyödä sinua kohti tai vetää sinut pois tasapainosta.
- **Pidä kone hallinnassasi äläkä kosketa leikkureihin, siimoihin tai teriin tai muihin vaarallisiin osiin niiden liikkeessa.** Tämä vähentää liikkuvista osista aiheutuvan loukkaantumisen riskiä.
- **Kun irrotat juutunutta materiaalia tai huollat laitetta, varmista, että kaikki virtakytkimet on asetettu OFF-asettoon ja virtajohto on irrotettu.** Koneen käynnistäminen vahingossa juutunutta ainesta irrottaessa tai konetta huoltaessa voi johtaa vakavaan henkilövahinkoon.
- **Kanna konetta virta katkaistuna ja poispiän kehostasi.** Koneen asianmukainen käsittely pienentää liikkuvaan leikkuriin, siimaan tai terään osuvan tahattoman kosketuksen riskiä.
- **Kun kuljetat tai varastoit konetta, aseta suojus aina metalliteriin.** Koneen asianmukainen käsittely pienentää terään osuvan tahattoman kosketuksen riskiä.
- **Käytä vain valmistajan määrittämiä vaihtoleikkureita, -siimoja, -leikkuupäitä ja -teriä.** Väärät varaosat voivat lisätä rikkoutumis- ja loukkaantumiskärsiä.

## Muita yleisiä turvaohjeita

- Sammuta laite, kun siirryt alueelta toiselle. Irrota akku aina ennen kuin luovutat tuotteen toisen käyttäjän käyttöön.
- Älä koskaan laske laitetta maahan, ellet ole pysähtänyt sitä ja poistanut akkua. Valvo laitetta aina, kun se on käynnissä.
- Leikkuulaite ei pysähdy välittömästi tuotteen sammuttamisen jälkeen.
- Tarkista laite kulumisen ja vaurioiden varalta aina ennen käyttöä ja minkä tahansa laitteeseen kohdistuneen iskun jälkeen. Korjaa viat tarvittaessa.
- Jos terälaitteeseen tarttuu jotain käytön aikana, pysäytä ja sammuta laite. Varmista, että terälaitte pysähtyy kokonaan. Poista akku ennen kuin puhdistat, tarkistat tai korjaat tuotetta ja/tai terälaitetta.
- Tarkista tuote ennen käyttöä. Katso kohdasta *Tuotteen turvalaitteet sivulla 139 ja Huolto sivulla 142.* Älä käytä vaurioitunutta tuotetta. Noudata tässä käyttöohjeessa annettuja turvallisuustarkastuksia, kunnossapitoa ja huoltoa koskevia ohjeita.
- Viallinen terälaitte voi lisätä onnettomuuksien vaaraa.
- Tarkista vaihde lian ja murtumien varalta. Poista ruoho ja lehdet vaihteesta harjalla. Käytä käsineitä aina tarvittaessa.
- Varmista aina, että ilmanottoaukot ovat puhtaat, eikä niissä ole likaa.
- Varmista, että siimapää on kiinnitetty trimmeriin asianmukaisesti.
- Kaikki kannet, suojukset ja kahvat on kiinnitettävä ennen käynnistystä.
- Tarkista, että laite on moitteettomassa kunnossa. Tarkista, että kaikki mutterit ja ruuvit on kiristetty.
- Tarkista, että siimapää ja trimmerin suojus ovat ehjiä eikä niissä ole halkeamia. Vaihda siimapää tai trimmerin suojus, jos siihen on kohdistunut iskuja tai siinä on halkeamia. Käytä aina kyseiselle leikkausterälle suositeltua suojusta. Katso kohdasta *Tarvikkeet sivulla 145.*
- Tämä tuote on vaarallinen työkalu, jos sitä käytetään huolimattomasti tai väärin. Tämä tuote voi aiheuttaa käyttäjälle tai sivullisille vakavia vammoja tai kuoleman.
- Tuotetta eivät saa käyttää henkilöt (lapset mukaan lukien), joiden fyysinen, aistinvarainen tai henkinen toimintakyky on alentunut. Tuotetta eivät myöskään saa käyttää henkilöt, joilla ei ole riittävä kokemusta tai taitoja laitteen käyttöön, elleivät he ole saaneet ohjausta tai ohjeita heidän turvallisuudestaan vastaavalta henkilöltä. Lapsia on valvottava, jotta voidaan varmistaa, etteivät he leiki laitteella.
- Älä anna koskaan lasten käyttää tuotetta tai oleskella sen läheisyydessä. Koska tuote on helppo käynnistää, myös lapset saattavat pystyä käynnistämään sen, ellei heitä valvota. Tämä voi johtaa vakaviin henkilövahinkoihin. Irrota sen vuoksi akku aina, kun laite on ilman valvontaa.
- Älä koskaan anna lasten tai henkilöiden, joille ei ole annettu tuotteen ja/tai akun käyttökoulutusta, käyttää tai korjata sitä.
- Säilytä laite lukitussa tilassa niin, että se on lasten ja asiaankuulumattomien henkilöiden ulottumattomissa.
- Pidä jalat ja kädet aina poissa leikkuualueelta, erityisesti silloin, kun käynnistät moottorin.
- Kun laite on sammutettu, pidä kädet ja jalat etäällä terälaitteesta, kunnes se on pysähtynyt täysin.
- Älä poista tai anna muiden poistaa leikkuujätettä, kun tuote käy tai terälaitte pyörii, sillä seurauksena voi olla vakavia vammoja.
- Muista, että käyttäjänä olet vastuussa siitä, ettet altista ihmisiä tai heidän omaisuuttaan vahingoille tai vaaroille.
- Tuotteen rakennetta ei missään tapauksessa saa muuttaa ilman valmistajan lupaa. Käytä aina alkuperäisiä lisävarusteita. Hyväksymättömien muutosten ja/tai lisävarusteiden käyttö voi aiheuttaa käyttäjälle tai muille vakavia vammoja tai kuoleman. Takuu ei välttämättä kata hyväksymättömien lisävarusteiden tai varaosien käytöstä aiheutuneita vaurioita tai vastuuta.
- Ainoat lisävarusteet, joita tämän tuotteen kanssa saa käyttää, ovat luvussa Lisävarusteet suosittelemme terälaitteet. Katso kohdasta *Tarvikkeet sivulla 145.*
- Älä koskaan käytä tuotetta, jota on muutettu niin, ettei sen rakenne enää ole alkuperäinen.
- Älä koskaan käytä viallista laitetta. Noudata tässä käyttöohjeessa annettuja turvallisuustarkastuksia, kunnossapitoa ja huoltoa koskevia ohjeita. Tietty kunnossapito- ja huoltotyöt on annettava koulutettujen ja pätevien asiantuntijoiden tehtäviksi. Katso ohjeet kohdasta Huolto.

- Huonossa säässä työskentely on väsyttävää, ja siihen liittyy usein riskitekijöitä. Riskitekijöiden takia laitetta ei ole suositeltavaa käyttää huonoissa sääolosuhteissa, kuten erittäin sumuisella, sateisella tai kylmällä säällä, kovalla tuulella tai silloin, kun salamointi on mahdollista.
- Älä koskaan työskentele tikkailla tai muulta huonosti kiinnitetyltä korkealta paikalta.
- Säilytä käyttämättömiä laitteita sisätiloissa – laitteita on säilytettävä sisätiloissa, kun ne eivät ole käytössä.
- On mahdotonta kuvata kaikkia mahdollisia tilanteita, joita laitteen käytössä voi ilmetä. Ole aina varovainen ja käytä tervettä järkeä. Vältä tilanteita, mihin et katso taitosi riittävän. Mikäli olet vielä näiden ohjeiden lukemisen jälkeen epävarma menettelytavoista, kysy neuvoa asiantuntijalta ennen jatkamista.
- Huolehdi siitä, että ihmiset ja eläimet ovat työn aikana vähintään 15 metrin päässä laitteesta. Kun useampia käyttäjiä työskentelee samalla työalueella, on turvataisyyden oltava vähintään 15 metriä. Muuten vaarana ovat vakavat henkilövahingot. Sammuta laite välittömästi, jos joku tulee lähemmäs. Älä käänny laitteen kanssa ympäri tarkistamatta ensin, että turva-alueella ei ole ketään.
- Varmista, etteivät ihmiset, eläimet tai muut tekijät pääse vaikuttamaan laitteen hallintaan tai joudu kosketuksiin terälaitteen tai terälaitteesta sinkoutuvien irtonaisten esineiden kanssa. Älä kuitenkaan käytä laitetta, ellei sinulla ole mahdollisuutta kutsua apua onnettomuustapauksessa.
- Varmista, että voit siirtyä ja seisoa turvallisesti. Tarkista, onko ympäristössä esteitä (juuria, kiviä, oksia, kuoppia, oja tai vastaavia), joista voi olla haittaa siirtyessäsi nopeasti. Ole erittäin varovainen työskennellessäsi viettävässä maastossa.
- Liiku kävelyvauhtia, älä juosten.
- Tarkista työskentelyalue. Poista kaikki irralliset esineet, kuten kivet, lasinsirpaleet, naulat, rautalangat, narut ja vastaavat, jotka voivat sinkoutua liikkeelle tai kietoutua leikkaimeen tai leikkusuojukseen.
- Varo oksanpätkiä, joita voi sinkoutua ilmaan leikkuun aikana. Älä leikkaa liian lähellä maanpintaa, sillä ilmaan voi sinkoutua kiviä ja muuta irtotavaraa.
- Varmista, etteivät vaatteet tai ruumiinosat pääse koskemaan terälaitteeseen laitteen ollessa käynnissä. Pidä laite vyötärön alapuolella.
- Varo sinkoutuvia esineitä. Silmät on aina suojattava tarkoitukseen hyväksytyillä silmäsuojaimilla. Älä koskaan kurottaudu terälaitteen suojuksen yli. Kivet, roskat ja vastaavat saattavat sinkoutua silmiin ja aiheuttaa sokeutumisen tai muita vakavia vammoja.
- Tarkkaile aina varoitussignaaleja ja -huutoja kuulonsuojaimia käyttäessäsi. Riisu kuulonsuojaimet välittömästi laitteen pysäytyksen jälkeen.
- Jos laite tärisee, napauta siimapäätä, jolloin siima säätyy oikeaan mittaansa ja tärinä loppuu.

- Jos tuote alkaa täristä epätavallisella tavalla, pysäytä tuote ja irrota akku.
- Liiallinen altistuminen tärinöille saattaa aiheuttaa verisuoni- tai hermovaurioita verenkiertohäiriöistä kärsiville henkilöille. Käänny lääkärin puoleen, jos havaitset oireita, jotka voivat liittyä liialliseen tärinäaltistukseen. Esimerkkejä tällaisista oireista ovat puuttuminen, tunnottomuus, kutina, pistely, kipu, voimattomuus tai heikkous sekä ihon värin tai pinnan muutokset. Oireita esiintyy tavallisesti sormissa, käsissä tai ranteissa.
- Pitele laitetta aina molemmin käsin. Pitele laitetta kehon oikealla puolella.

## Henkilökohtainen suojavarustus



**VAROITUS:** Lue seuraavat varoitusohjeet ennen laitteen käyttämistä.

- Käytä aina hyväksytyjä henkilökohtaisia suojavarusteita, kun käytät laitetta. Henkilökohtaiset suojavarusteet eivät poista tapaturmien vaaraa, mutta ne lieventävät vammoja onnettomuustilanteessa. Anna jälleenmyyjän auttaa oikeiden varusteiden valinnassa.
- Käytä suojakypärää paikoissa, joissa putoilevat esineet aiheuttavat vaaraa.
- Käytä riittävän tehokkaasti vaimentavia hyväksytyjä kuulonsuojaimia. Pitkäaikainen altistuminen melulle saattaa aiheuttaa pysyviä kuulovammoja.
- Käytä hyväksytyjä silmäsuojaimia. Visiiriä käytettäessä on käytettävä myös hyväksytyjä suojalaseja. Hyväksytyillä suojalaseilla tarkoitetaan laseja, jotka täyttävät standardin ANSI Z87.1 (Yhdysvallat) tai EN 166 (EU-maat) vaatimukset.
- Käytä kasvojen suojaamiseen visiiriä. Visiiri ei tarjoa riittävää suojaa silmille.

(Kuva 19)

- Käytä kärsineitä tarvittaessa esimerkiksi terävarustuksen asennuksen, tarkastuksen ja puhdistuksen aikana.
- Käytä luistamattomia ja tukevia jalkineita.
- Käytä lujasta materiaalista valmistettuja vaatteita. Käytä aina vahvakankaisia pitkiä housuja ja pitkähihaista takkia. Vältä liian löysiä vaatteita, jotka tarttuvat helposti risuihin ja oksiin. Älä pidä koruja, shortseja tai sandaaleja. Älä myöskään kulje paljain jaloin. Sido hiukset turvallisesti olkapäiden yläpuolelle.

(Kuva 20)

- Pidä ensiavustarvikkeet helposti saatavilla.

(Kuva 21)

## Tuotteen turvalaitteet



**VAROITUS:** Lue seuraavat varoitukset ennen tuotteen käyttöä.

Tässä osassa kerrotaan laitteen turvaominaisuuksista ja niiden toiminnasta sekä annetaan tarkastus- ja kunnossapito-ohjeet, joilla varmistetaan laitteen toimivuus. Lue kohdasta *Johdanto sivulla 133* tiedot siitä, missä osat sijaitsevat laitteessa.

Laitteen käyttöä voi lyhentyä ja onnettomuusvaara kasvaa, jos laitteen kunnossapitoa ei suoriteta oikein ja jos huoltoa ja/tai korjauksia ei tehdä ammattitaitoisesti. Saat lisätietoja lähimmästä huoltoliikkeestä.



**VAROITUS:** Älä koskaan käytä tuotetta, jos sen turvalaitteet ovat vaurioituneet. Laitteen turvalaitteet on tarkastettava ja pidettävä kunnossa tässä osassa esitetyllä tavalla. Jos laitteessasi ilmenee tarkastettaessa puutteita, se on toimitettava huoltoliikkeeseen korjattavaksi.



**HUOMAUTUS:** Kaikki laitteen huolto- ja korjaustyöt vaativat erikoiskoulutusta. Tämä koskee erityisesti laitteen turvavarustusta. Jos laitteessa havaitaan puutteita alla luetelluissa tarkastuksissa, on sinun otettava yhteys huoltoliikkeeseen. Hankkimalla laitteen meiltä varmistat, että saat sille ammattimaisen korjauksen ja huollon. Jos ostat laitteen muusta kuin huollot suorittavasta ammattiliikkeestä, pyydä myyjää neuvomaan lähin huoltoliike.

## Käyttöliittymän tarkistaminen

- Pidä käynnistys-/pysäytyspainiketta (A) painettuna.
  - Tuote on käynnissä, kun näyttö (B) on käynnissä. (Kuva 22)
  - Tuote ei ole käynnissä, kun näyttö ei ole käytössä.
- Jos näytön varoitusmerkkivalo syttyy tai vilkkuu, katso osio *Käyttöliittymä sivulla 143*.

## Käyttöliipaisimen varmistamisen tarkistaminen

Käyttöliipaisimen varmistin on suunniteltu estämään laitteen tahaton käyttö. Kun painat käyttöliipaisimen varmistinta eteenpäin (A) ja sitten käyttöliipaisimen varmistinta päin kahvaa (B), käyttöliipaisin (C) vapautuu. Kun ote kahvasta irrotetaan, palautuvat sekä käyttöliipaisin että varmistin lähtöasentoonsa. Liikettä ohjaavat kolme riippumatonta joustia. (Kuva 23)

- Varmista, että käyttöliipaisin on lukittu, kun käyttöliipaisimen varmistin on alkuasennossa. (Kuva 24)

- Paina käyttöliipaisinta ja varmista, että se palautuu alkuasentoonsa, kun se vapautetaan. (Kuva 25)
- Tarkista, että käyttöliipaisin ja sen varmistin liikkuvat vapaasti ja palautusjouset toimii oikein.
- Käynnistä laite, katso kohta *Laitteen käynnistäminen sivulla 141*.
- Käytä täyttä nopeutta.
- Vapauta käyttöliipaisin ja varmista, että terälaitte pysähtyy ja jää paikalleen.

## Terälaitteen suojuksen tarkistaminen



**VAROITUS:** Älä käytä terälaitetta ilman hyväksyttyä ja oikein kiinnitettyä terälaitteen suojusta. Käytä aina käyttämällesi terälaitteelle suositeltua suojusta. Katso kohta *Tarvikkeet sivulla 145*. Jos terälaitteeseen asennetaan vääärä tai viallinen suojuks, se voi aiheuttaa vakavan henkilövahingon.

Terälaitteen suojuks pysäyttää käyttäjää kohti sinkoutuvat esineet. Se ehkäisee myös terälaitteen koskettamisesta syntyviä vammoja.

- Sammuta laite ja irrota akku.
- Tarkista silmämääräisesti, onko vaurioita, kuten halkeamia. (Kuva 26)
- Vaihda terälaitteen suojuks, jos se on vaurioitunut.

## Siimapää

- Käytä aina oikeaa siimapäätä ja terälaitetta sekä suositeltua siimaa. Katso kohta *Tarvikkeet sivulla 145* ja tietoja asennuksesta käyttöohjeen lopussa.
- Varmista, että siimapään suojuksessa oleva leikkain on ehjä.
- Varmista, että trimmerin siima kelautuu tiukalle ja tasaisesti puolalle. Muussa tapauksessa laite aiheuttaa poikkeuksellista tärinää. Poikkeavat siiman pituudet voivat johtaa tarpeettomaan tärinään. Napauta siimapäätä, jolloin se säätää siiman oikeanmittaiseksi.

Trimmerin siiman käyttöä voi pidentää liittämällä sitä vedessä vähintään kaksi vuorokautta ennen asennusta. Siima tulee näin sitkeämmäksi.

## Turvallisuusohjeet kokoamista varten



**VAROITUS:** Lue ja sisäistä nämä ohjeet ja noudata niitä huolellisesti, ennen kuin alat käyttää tuotetta.

- Irrota akku tuotteesta ennen tuotteen kokoamista.
- Käytä hyväksyttyjä suojakäsineitä.
- Vaurioituneen tai toimimattoman suojuksen käyttö saattaa johtaa loukkaantumiseen. Älä käytä terälaitetta, johon ei ole kiinnitetty hyväksyttyä suojusta.

- Varmista, että olet asentanut kotelon ja varren oikein ennen tuotteen käynnistämistä.
- Jousilevyn ja tukilaitan on oltava oikein terälaitteen keskireiässä. Väärin kiinnitetty terälaitte voi aiheuttaa vamman tai kuoleman.
- Jos lisälaitteen mukana toimitetaan valjaat, ne on kiinnitettävä tuoteeseen oikein. Valjaat tekevät käytöstä turvallista ja estävät käyttäjän ja muiden henkilöiden loukkaantumisen.

## Turvaohjeet huoltoa varten



**VAROITUS:** Lue seuraavat varoitusohjeet ennen laitteen huoltamista.

- Irrota akku ennen laitteen huoltoa, muita tarkistuksia tai kokoamista.

- Käyttäjän on huolehdittava ainoastaan tässä käyttöohjekirjassa kuvatuista korjaus- ja huoltotoimista. Anna huoltoliikkeen tehdä suuremmat korjaus- ja huoltotoimet.
- Älä pese akkua tai akkulaturia vedellä. Vahvat pesuaineet voivat vaurioittaa muovia.
- Laitteen huoltamatta jättäminen lyhentää sen käyttöikää ja lisää onnettomuusriskiä.
- Laitteen huolto- ja korjaustyöt, erityisesti laitteen turvalaitteille tehtävät työt, vaativat erityiskoulutusta. Jos kaikkia käyttöohjekirjassa lueteltuja tarkastuksia ei huollon jälkeen voida suorittaa hyväksytysti, vie laite huoltoliikkeeseen. Siellä laitteesi huolletaan ja korjataan ammattimaisesti.
- Käytä vain alkuperäisiä varaosia.
- Käytä aina työrakkasia, kun korjaat terälaitetta. Terät ovat erittäin teräviä ja voivat helposti aiheuttaa vahinkoja.

## Asentaminen

### Kaarikahvan asennus

1. Kiinnitä kaarikahva runkoputkeen nuolien väliin. Älä aseta kaarikahvaa tai ripustussilmukkaa tarran päälle. (Kuva 27)
2. Siirrä välike kaarikahvan uraan.
3. Kiinnitä mutteri, nuppi ja ruuvi, mutta älä kiristä.
4. Säädä laite mukavaan asentoon.
5. Kiristä pultti.

### Terävarustuksen asentaminen

Terävarustus sisältää terälaitteen ja terälaitteen suojuksen.



**VAROITUS:** Käytä suojakäsineitä.



**VAROITUS:** Käytä aina terälaitteelle suositeltua suojusta. Katso *Tekniset tiedot sivulla 144*.



**VAROITUS:** Väärin kiinnitetty terälaitte voi aiheuttaa vammoja tai kuoleman.

### Terälaitteen suojuksen kiinnittäminen

1. Aseta terälaitteen suojus (A) levypidikkeen (B) koukkuun. (Kuva 28)
2. Asenna terälaitteen suojus runkoputkeen ja kiristä se pultilla (C).

### Terälaitteen suojuksen irrottaminen

- Löysää pulttia (C) ja irrota terälaitteen suojus (A) runkoputkesta. (Kuva 29)

### Siimapäiden asentaminen



**VAROITUS:** Terälaitetta asennettaessa on erittäin tärkeää, että jousilevyn/tukilaitan koholla oleva osa tulee oikein terälaitteen keskireikään. Väärin asennettu terä voi aiheuttaa vakavan tai hengenvaarallisen tapaturman.



**VAROITUS:** Terälaitetta ei saa missään olosuhteissa käyttää ilman, että hyväksytyt suojusta on asennettu. Katso kohdasta *Tarvikkeet sivulla 145*. Jos terään asennetaan väärä tai viallinen teräsuojus, se voi aiheuttaa vakavan tapaturman.

### Siimapään kiinnittäminen

1. Aseta jousilevy (B) käyttöakselille.
2. Käännä käyttöakselia, kunnes yksi jousilevyn rei'istä on kulmavaihdokotelon vastaavan reiän kohdalla.
3. Lukitse akseli asettamalla lukkotappi (C) reikään.
4. Kiinnitä siimapää (H) kääntämällä vastapäivään. (Kuva 30)

### Siimapään irrottaminen

1. Lukitse akseli asettamalla lukkotappi (C) reikään.
2. Irrota siimapää (H) kääntämällä myötäpäivään.
3. Irrota jousilevy (B) käyttöakselista. (Kuva 30)

# Käyttö

## Johdanto



**VAROITUS:** Lue ja sisäistä turvallisuutta käsittelevä luku ennen laitteen käyttöä.

## Akun kiinnittäminen laitteeseen



**VAROITUS:** Käytä laitteessa vain alkuperäisiä Husqvarna-akkuja.

1. Varmista, että akku on täysin ladattu.
2. Paina akku laitteen akun pidikkeeseen. Akku lukittuu paikalleen, kun kuulet napsahduksen. (Kuva 31)



**HUOMAUTUS:** Jos akku ei siirry pidikkeeseen helposti, sitä ei ole asennettu oikein pidikkeeseen. Se voi vaurioittaa laitetta.

3. Varmista, että akku on asennettu oikein

## Työasento

- Pidä laitteesta kiinni kummallakin kädellä.
- Pidä laitetta kehon oikealla puolella.
- Pidä leikkuulaitteisto vyötärön korkeudella.
- Pidä kaikki ruumiinosat etäällä kuumista pinnoista.
- Pidä kaikki ruumiinosat etäällä terälaitteesta.

## Ennen laitteen käyttöä

- Tutki työaluetta varmistaaksesi, että tunnet maaston laadun ja kaltevuuden ja mahdolliset esteet, kuten kivet, oksat ja ojat.
- Tarkista laite kokonaisuudessaan.
- Tee tässä ohjekirjassa kuvatut turvallisuustarkastukset ja huolto- ja ylläpitotoimenpiteet.
- Varmista, että kaikki kannet, suojuukset, kahvat ja terävarustus on kiinnitetty oikein, eikä niissä ole vaurioita.
- Tarkista, onko tukilapaissa halkeamia. Vaihda tukilapa, jos se on vaurioitunut.

(Kuva 32)

- Tarkista siimapää ja terälaitteen suojus vaurioiden tai halkeamien varalta. Vaihda siimapää ja terälaitteen suojus, jos niissä on kolhuja tai halkeamia.

(Kuva 33)

## Laitteen käynnistäminen

1. Paina käynnistuspainiketta, kunnes vihreä merkkivalo syttyy. (Kuva 34)
2. Ohjaa tuotteen nopeutta käyttöliipaisimella.

## Enimmäisnopeuden rajoittaminen tilapainikkeella

Tuotteessa on tilapainike. Käyttäjää voi rajoittaa enimmäisnopeutta tilapainikkeella. Tilapainikkeessa on kolme nopeustasoa. Hitaampi nopeus pidentää tuotteen toiminta-aikaa. Käytä nopeustasoa 1 tai 2, jos toiminta ei vaadi täyttä nopeutta tai tehoa. Jos käyttöolosuhteet vaativat täyttä nopeutta tai tehoa, käytä tasoa 3. Älä käytä korkeampaa tasoa kuin toiminta vaatii.

1. Määritä enimmäisnopeus tilapainikkeella. Valkoiset merkkivalot syttyvät sen merkiksi, että toiminto on käytössä. (Kuva 35)
2. Valitse seuraava nopeustaso painamalla tilapainiketta uudelleen.

## Automaattinen sammutustoiminto

Laitteessa on sammutustoiminto, joka pysäyttää laitteen, kun sitä ei käytetä.

## Ruohontrimmaus siimapäällä

### Ruohon siistiminen

1. Pidä siimapää aivan maanpinnan yläpuolella ja kallista sitä. (Kuva 36) Älä paina siimaa ruuhon.
2. Käytä 80 % täydestä nopeudesta, kun leikkaat ruohoa esineiden läheltä. (Kuva 37)

### Ruohon leikkaaminen

1. Varmista, että siima on maanpinnan suuntaisena, kun leikkaat. (Kuva 38)
2. Älä paina siimapäätä maahan. Maanpinta ja tuote voivat vaurioitua.
3. Älä anna siimapään osua maahan jatkuvasti, sillä se voi vaurioittaa siimapäätä.
4. Käytä täyttä nopeutta, kun leikkaat ruohoa liikuttamalla laitetta sivulta toiselle. (Kuva 39)  
Varmista, että siima on maanpinnan suuntaisena.

### Ruohon lakaiseminen

Leikatun ruohon voi poistaa alueelta pyörivän trimmerin siiman aiheuttaman ilmapirran avulla.

1. Pidä siimapäätä ja siimaa maan suuntaisesti maan yläpuolella.
2. Käytä täyttä käyntinopeutta.
3. Lakaise ruoho liikuttamalla siimapäätä puolelta toiselle.



**VAROITUS:** Puhdista siimapään kansi aina, kun asennat uuden siiman, epätasapainon ja kahvojen tärinän estämiseksi. Tarkista myös muut siimapään osat ja puhdista tarvittaessa.

## Laitteen pysäyttäminen

1. Vapauta käyttöliipaisin tai käyttöliipaisimen varmistin.
2. Paina STOP-painiketta. (Kuva 34)
3. Paina akun vapautuspainiketta ja vedä akku ulos. (Kuva 40)

## Huolto

### Johdanto



**VAROITUS:** Lue turvallisuutta käsittelevä luku niin, että ymmärrät sen sisällön, ennen minkäänlaisten huoltotoiden aloittamista.

### Huoltokaavio



**VAROITUS:** Irrota akku ennen huoltotoimia.

Alla on luettelo tuotteelle tehtävistä huoltotoimista.

Huolto	Päivittäin	Viikoittain	Kuukausittain
Puhdista laitteen ulko-osat kuivalla liinalla. Älä käytä vettä.	X		
Tarkista, että käynnistys-/pysäytyspainike toimii kunnolla ja että se on ehjä.	X		
Varmista, että käyttöliipaisin ja sen varmistin toimivat asianmukaisesti turvallisuu- suutta ajatellen.	X		
Varmista, että kaikki ohjaimet toimivat ja ovat ehjiä.	X		
Varmista, että kahvat ovat kuivat ja että niissä ei ole öljyä tai vaseliinia.	X		
Varmista, ettei terälaite ole vaurioitunut. Vaihda terälaite, jos se on vaurioitunut.	X		
Varmista, että leikkuuterä tai terälaitteen suojus ei ole vaurioitunut. Vaihda leik- kuuterä tai terälaitteen suojus, jos se on vaurioitunut.	X		
Varmista, että kaikki ruuvit ja mutterit on kiristetty.	X		
Varmista, että akun vapautuspainikkeet toimivat ja lukitsevat akun laitteeseen.	X		
Varmista, ettei akku ole vaurioitunut.	X		
Varmista, että akku on ladattu.	X		
Varmista, että laturi on ehjä ja toimii oikein.	X		
Tarkista kaikki kaapelit ja liitännät. Varmista, että ne ovat ehjiä ja puhtaita.		X	
Varmista, että kulmavaihte on täytetty asianmukaisesti rasvalla. Katso <i>Kulma- vaihteen voiteleminen sivulla 142</i> . Jos näin ei ole, käytä Husqvarna-kulmavaih- derasvaa.		X	
Tarkista akun ja tuotteen väliset kytkennät. Tarkista akun ja akkulaturin välinen kytkentä.			X

## Laitteen, akun ja akkulaturin puhdistaminen

1. Puhdista laite käytön jälkeen kuivalla liinalla.
2. Puhdista akku ja akkulaturi kuivalla liinalla. Pidä akun ohjauskiskot puhtaina.

3. Varmista, että akun ja akkulaturin liittimet ovat puhtaat ennen kuin akku asetetaan akkulaturiin tai laitteeseen.

## Kulmavaihteen voiteleminen

1. Irrota terävarustus.

2. Aseta laite siten, että rasvatulppa on ylimmässä asennossaan.
3. Irrota rasvatulppa. (Kuva 41)
4. Katso rasvatulpan reikään ja käännä vetoakselia. Rasvatason (A) on oltava samalla tasolla hammaskehän hampaiden (B) yläosan kanssa. (Kuva 42)
5. Jos rasvaa on liian vähän, lisää kulmavaihteeseen Husqvarna-kulmavaihterasvaa. Täytä hitaasti ja käännä vetoakselia samalla kun lisäät kulmavaihterasvaa. Lopeta täyttö, kun oikea taso (B) on saavutettu.



**HUOMAUTUS:** Jos rasvan määrä on väärä, kulmavaihte voi vaurioitua.

6. Asenna rasvatulppa paikalleen.

## Vianmääritys

### Käyttöliittymä

Ongelma	Mahdolliset viat	Mahdolliset toimenpiteet
Akun varaustilan merkkivalo vilkkuu oranssina	Matala akun jännite.	Lataa akku.
Virheen merkkivalo vilkkuu punaisena	Ylikuormitus.	Terälaite on juuttunut. Sammuta laite. Irrota akku. Puhdista ylimääräinen materiaali terälaitteesta.
	Lämpötilavaihtelu.	Anna tuotteen jäähtyä.
	Käyttöliipaisinta ja aktivointipainiketta painetaan samaan aikaan.	Tuote aktivoituu, kun käyttöliipaisin vapautetaan.
Tuote ei käynnisty	Likaa akkuliittimissä.	Puhdista akkuliittimet paineilmalla tai pehmeällä harjalla.
Vian merkkivalo palaa punaisena.	Tuote on huollettava.	Käännä huoltoliikkeen puoleen.

## Kuljettaminen, säilyttäminen ja hävittäminen

### Kuljetus ja säilytys

- Mukana tulleet litiumioniakut ovat vaarallisten aineiden lainsäädännön määräysten mukaisia.
- Pakkausta ja merkintöjä koskevia erityismääräyksiä on noudatettava, myös kolmansien osapuolten tai huolitsijoiden järjestämässä tavarakuljetuksessa.
- Keskustelee erityiskoulutuksen saaneen vaarallisten aineiden asiantuntijan kanssa ennen tuotteen lähettämistä. Noudata kaikkia kansallisia määräyksiä.
- Teippaa paljaat liittimet asettaessasi akun pakettiin. Aseta akku pakettiin tiukasti niin, ettei se pääse liikkumaan.
- Irrota akku varastoinnin tai kuljetuksen ajaksi.
- Aseta akku ja akkulaturi paikkaan, johon kosteus tai pakkane eivät pääse.
- Älä säilytä akkua paikassa, jossa on staattista sähköä. Älä säilytä akkua metallilaatikossa.
- Säilytä akkua varastossa, jossa lämpötila on 5–25°C ja jossa se ei ole suorassa auringonvalossa.
- Säilytä akkulaturia varastossa, jossa lämpötila on 5–45°C ja jossa se ei ole suorassa auringonvalossa.
- Käytä akkulaturia ainoastaan 5–40 °C:n lämpötiloissa.
- Lataa akku ennen pitkäaikaista säilytystä niin, että sen varaustaso on 30–50 %.
- Säilytä akkua kuivassa ja suljetussa tilassa.
- Pidä akku erillään akkulaturista varastoinnin aikana. Älä anna lasten tai asiaankuulumattomien

henkilöiden koskea laitteeseen. Säilytä laitetta lukullisessa tilassa.

- Puhdista laite ja tee täysi huolto ennen pitkäaikaista säilytystä.
- Käytä kuljetussuojasta kuljetuksen ja varastoinnin aikana vaurioiden ja vammojen välttämiseksi.
- Kiinnitä laite hyvin kuljetuksen ajaksi.

mukana. Vie se asianmukaiseen sähkö- ja elektroniikkalaitteiden keräyspisteeseen. Tämä auttaa estämään sekä ympäristö- että henkilövahinkoja.

Lisätietoja laitteen kierrätyksestä saat paikallisilta viranomaisilta, kotitalousjätepalvelulta tai jälleenmyyjältä.

## Akun, akkulaturin ja laitteen hävittäminen

Laitteessa tai sen pakkauksessa olevat symbolit osoittavat, ettei laitetta saa hävittää kotitalousjätteen

---

## Tekniset tiedot

---

### Tekniset tiedot

	<b>325iL</b>
<b>Moottori</b>	
Moottorityyppi	BLDC (harjaton) 36 V
Käyttöakselin pyörimisnopeus, 1/min	5 800
Leikkuuleveys, mm	420
<b>Paino</b>	
Paino ilman akkua ja leikkuulaitetta, kg	3,0
<b>Melupäästöt</b> <sup>25</sup>	
Äänentehotaso, mitattu dB(A)	93
Äänentehotaso, taattu L <sub>WA</sub> dB(A)	96
<b>Äänitasot</b> <sup>26</sup>	
Vastaava äänenpainetaso käyttäjän korvan tasalla mitattuna standardin ISO 22868 mukaan, dB(A):	
Varustettu siimapäällä (alkuperäinen)	84
<b>Tärinätasot</b> <sup>27</sup>	
Kahvojen tärinätasot standardin ISO 22867 mukaan mitattuna, m/s <sup>2</sup>	
Varustettu siimapäällä (alkuperäinen), etu/taka, m/s <sup>2</sup>	4,3 / 2,9

<sup>25</sup> Melupäästö ympäristöön äänitehona (LWA) EY-direktiivin 2000/14/EY mukaisesti mitattuna. Laitteen ilmoitettu äänentehotaso on mitattu käyttäen alkuperäistä terälaitetta, joka antaa suurimman äänentehotason. Taatun ja mitatun äänitehon erona on se, että taattu ääniteho sisältää myös mitatun tuloksen hajonnan ja vaihtelun saman mallin eri laitteiden välillä direktiivin 2000/14/EY mukaisesti.

<sup>26</sup> Ilmoitetuilla tiedoilla koneen äänenpainetasosta tyypillinen tilastollinen hajonta (vakiopoikkeama) on 3 dB(A). Taso on mitattu käyttäen alkuperäistä lisälaitetta, joka antaa suurimman äänentehotason.

<sup>27</sup> Tärinätasolle ilmoitetuissa tiedoissa tyypillinen tilastollinen hajonta (vakiopoikkeama) on 2 m/s<sup>2</sup>. Käytä akku- ja polttomoottorikäyttöisten laitteiden tärinätasojen vertailussa tärinälaskuria. <https://www.husqvarna.com/uk/services-solutions/vibration-calculator/>.



## Hyväksytyt akut

<b>Akku</b>	<b>BLI 200</b>
Tyyppi	Litiumioni
Akun kapasiteetti, Ah	5,2
Nimellisjännite, V	36
Paino kg	1,3

## Hyväksytyt akkulaturit

<b>Akkulaturi</b>	<b>QC330</b>
Tulojännite, V	100–240
Taajuus, Hz	50–60
Teho, W	330

---

## Tarvikkeet

---

## Lisävarusteet

Hyväksytyt lisävarusteet	Varustetyyppi	Terälaitteen suojus, tuotenro
Terien keskireikä, Ø 25,4 mm		
Käyttöakselin kierre M10		
Siimapää	T35 (Whisper twist -siima, Ø enintään 2,4 mm)	597 01 62-02

# Vaatimustenmukaisuusvakuutus

## EU-vaatimustenmukaisuusvakuutus

Husqvarna AB, SE-561 82 Huskvarna, Ruotsi, puh. +46  
36 146500, vakuuttaa täten, että tuote:

<b>Kuvaus</b>	Akkukäyttöinen ruohotrimmeri
<b>Tuotemerkki</b>	Husqvarna
<b>Tyyppi/malli</b>	325iL
<b>Tunniste</b>	Sarjanumerot vuodesta 2023 alkaen

vastaavat täysin seuraavien EU:n direktiivien ja  
asetusten vaatimuksia:

Direktiivi/asetus	Kuvaus
2006/42/EC	konedirektiivi
2014/30/EMC	EMC-direktiivi
2011/65/EU	"tiettyjen vaarallisten aineiden käytön rajoittaminen"
2000/14/EC	Melupäästädirektiivi

ja että asiassa sovelletaan seuraavia standardeja  
ja/tai teknisiä tietoja: EN 62841-1:2015/AC:2015, EN  
62841-4-4 (IEC 62841-4-4:2020), EN 61000-6-1:2007  
(Immunity), EN 61000-6-3:2007/A1:2011/AC:2012  
(Emission).



RISE SMP Svensk Maskinprovning AB, Box 4053,  
SE-904 03 Umeå, Sweden on suorittanut direktiivin  
2006/42/EY liitteen IX mukaisen vapaaehtoisen  
tyyppitarkastuksen. Todistuksen numero: SEC/23/2579.

Notified body: 0404, RISE SMP Svensk Maskinprovning  
AB, Box 4053, SE-904 03 Umeå, Sweden on  
myös vahvistanut vaatimustenmukaisuuden neuvoston  
direktiivin 2000/14/EY liitteen VI mukaisesti.

Katso lisätietoja melupäästöistä osiosta *Tekniset tiedot*  
*sivulla 144.*

Huskvarna, 2022-12-01

Stefan Holmberg, Tuotekehityspäällikkö, Technology  
Management, Husqvarna AB

Teknisestä dokumentaatiosta vastaava edustaja

---

# Sommaire

---

Introduction.....	147	Transport, entreposage et mise au rebut.....	159
Sécurité.....	148	Caractéristiques techniques.....	160
Montage.....	155	Accessoires.....	161
Utilisation.....	156	Déclaration de conformité.....	162
Entretien.....	157	Annexe .....	447
Dépannage.....	158		

---

## Introduction

---

### Description du produit

Le Husqvarna 325iL est un coupe-herbe sur batterie équipé d'un moteur électrique.

Nous travaillons en permanence à l'amélioration de votre sécurité et de votre efficacité pendant l'utilisation. Pour davantage d'informations, contactez votre atelier d'entretien.

### Utilisation prévue

Utilisez le produit avec une tête de désherbage pour couper différents types de végétation. N'utilisez pas ce

produit pour d'autres tâches que la coupe de bordures et le désherbage.

---

**Remarque:** La législation nationale ou locale peut réglementer l'utilisation. Respectez la législation en vigueur.

---

Utilisez uniquement le produit avec des accessoires approuvés par le fabricant. Consultez la section *Accessoires à la page 161*.

### Aperçu du produit

(Fig. 1)

1. Manuel d'utilisation
2. Renvoi d'angle
3. Trou de goupille de blocage
4. Tête de désherbage
5. Protection de l'accessoire de coupe
6. Disque d'entraînement
7. Clé mixte
8. Poignée en anneau
9. Bouton
10. Arbre
11. Goupille d'arrêt
12. Témoin d'avertissement LED
13. Bouton marche/arrêt
14. Bouton de mode de vitesse
15. Blocage de la gâchette de puissance
16. Interface utilisateur
17. Gâchette de puissance
18. Cordon du chargeur de batterie
19. Chargeur de batterie
20. LED d'alimentation et d'avertissement
21. Boutons de libération de la batterie
22. Batterie
23. Indicateur LED d'état de charge
24. LED d'avertissement
25. Indicateur de batterie

### Symboles concernant le produit

- (Fig. 2)      **AVERTISSEMENT !** Ce produit peut être dangereux ! une utilisation erronée ou négligente peut occasionner des blessures graves, voire mortelles, pour le conducteur ou une tierce personne. Il est donc extrêmement important de lire attentivement et de bien assimiler le contenu de ce manuel d'utilisation. Lisez attentivement le manuel d'utilisation et assurez-vous de bien comprendre les instructions avant d'utiliser le produit.
- (Fig. 3)      Utilisez des protège-oreilles homologués. Utilisez des protections pour les yeux homologués.
- (Fig. 4)      Vitesse maximale ou vitesse hors charge.
- XXXX /min  
ou min<sup>-1</sup>      Tours ou mouvements alternatifs par minute.
- (Fig. 5)      Tension nominale, V
- (Fig. 6)      Courant continu.
- (Fig. 7)      Le produit est conforme aux directives CE en vigueur.
-

- (Fig. 8) Ce produit est conforme aux directives en vigueur au Royaume-Uni. si l'équipement de protection personnelle recommandé n'est pas utilisé.
- (Fig. 9) Utilisez des gants de protection homologués. (Fig. 14) Débranchez la batterie avant l'entretien.
- (Fig. 10) Utilisez des bottes antidérapantes robustes. (Fig. 15) Le produit est protégé contre les éclaboussures d'eau.
- (Fig. 11) Utilisez uniquement des accessoires de coupe flexibles non métalliques. (Fig. 16) Maintenez toutes les parties de votre corps à distance des surfaces chaudes et brûlantes.
- (Fig. 12) Les symboles figurant sur le produit ou sur son emballage indiquent que ce produit ne peut pas être traité comme un déchet domestique ordinaire. Ce produit doit être remis à un centre de recyclage approprié. (Fig. 17) Étiquette relative aux émissions sonores dans l'environnement selon les directives et réglementations européennes et du Royaume-Uni et les législations de la Nouvelle-Galles du Sud « Protection of the Environment Operations (Noise Control) Regulation 2017 ». Le niveau de puissance sonore garanti du produit est spécifié à la section *Caractéristiques techniques à la page 160*.
- (Fig. 13) L'accessoire peut projeter violemment des objets pouvant ricocher. Ceci peut provoquer de graves blessures aux yeux

yyyywwxxxx

La plaque signalétique indique le numéro de série. **yyyy** est l'année de production, **ww** est la semaine de production et **xxxx** est le numéro séquentiel.

(Fig. 18)

L'opérateur doit veiller à ce qu'aucune personne ni aucun animal ne se trouvent à moins de 15 mètres. Lorsque plusieurs opérateurs partagent le même lieu de travail, la distance de sécurité doit être de 15 mètres au minimum.

**Remarque:** Les autres symboles/autocollants présents sur le produit concernent des exigences de certification spécifiques à d'autres zones commerciales.

## Endommagement du produit

Nous ne sommes pas responsables des dommages subis par le produit si :

- le produit n'est pas correctement réparé ;
- le produit est réparé avec des pièces qui ne proviennent pas du fabricant ou qui ne sont pas homologuées par le fabricant ;
- le produit est équipé d'un accessoire qui ne provient pas du fabricant ou qui n'est pas homologué par le fabricant ;
- le produit n'est pas réparé par un centre d'entretien agréé ou par une autorité homologuée.

## Sécurité

### Définitions de sécurité

Des avertissements, des recommandations et des remarques sont utilisés pour souligner des parties spécialement importantes du manuel.

les instructions du manuel ne sont pas respectées.



**AVERTISSEMENT:** Symbole utilisé en cas de risque de blessures ou de mort pour l'opérateur ou les personnes à proximité si les instructions du manuel ne sont pas respectées.

**Remarque:** Symbole utilisé pour donner des informations supplémentaires pour une situation donnée.



**REMARQUE:** Symbole utilisé en cas de risque de dommages pour le produit, d'autres matériaux ou les environs si

### Consignes générales de sécurité relatives à l'outil à moteur



**AVERTISSEMENT:** Lisez l'ensemble des avertissements de sécurité, des consignes, des illustrations et des spécifications fournies avec cet outil

**électrique.** Le non-respect des consignes énumérées ci-dessous peut être à l'origine d'un choc électrique, d'un incendie et/ou de blessures graves.

- **Conservez toutes ces consignes et instructions pour toute consultation ultérieure.** Le terme « outil électrique » utilisé dans les avertissements fait référence à l'outil branché sur secteur (fil) ou à l'outil alimenté par batterie (sans fil).

## Sécurité dans l'espace de travail

- **Maintenez un espace de travail propre et bien éclairé.** Les espaces encombrés ou sombres exposent à des accidents.
- **N'utilisez pas de machines à usiner dans des atmosphères explosives, en présence de liquides, de gaz ou de poussières inflammables par exemple.** Les machines à usiner provoquent des étincelles qui peuvent enflammer la poussière ou les vapeurs.
- **Tenez les enfants et les spectateurs à distance lorsque la machine à usiner est en marche.** Un moment d'inattention peut vous faire perdre le contrôle.

## Sécurité électrique

- **Les fiches des machines à usiner doivent être adaptées à la prise. N'apportez jamais de modifications à la fiche. Ne pas utiliser de fiches d'adaptation avec des machines mises à la terre.** Des fiches non modifiées et des prises compatibles réduisent le risque de choc électrique.
- **Évitez tout contact physique avec les surfaces mises à la terre telles que les tuyaux, les radiateurs, les cuisinières et les réfrigérateurs.** Le risque d'électrocution est plus important si le corps est relié à la terre.
- **Ne pas exposer les outils électriques à la pluie ou à l'humidité.** L'infiltration d'eau dans une machine à usiner augmente le risque d'électrocution.
- **Ne malmeinez pas le cordon. N'utilisez jamais le cordon pour porter, tirer ou débrancher la machine. Maintenez le cordon d'alimentation à l'écart de la chaleur, de bords tranchants ou de pièces en mouvement.** Les fils endommagés ou emmêlés augmentent le risque de choc électrique.
- **Lorsque vous utilisez un outil électrique à l'extérieur, utilisez une rallonge électrique adaptée à l'usage extérieur.** L'utilisation d'un cordon d'alimentation pour usage extérieur réduit le risque d'électrocution.
- **Si vous n'avez d'autre choix que d'utiliser un outil électrique dans un endroit humide, utilisez une alimentation protégée par un dispositif de courant résiduel (RCD).** L'utilisation d'un RCD réduit le risque de choc électrique.

## Sécurité du personnel

- **Restez attentif, regardez ce que vous faites et ayez recours à votre bon sens lorsque vous utilisez un outil électrique. N'utilisez pas d'outil électrique si**

**vous êtes fatigué ou si vous êtes sous l'emprise de drogues, d'alcool ou de médicaments.** Un moment d'inattention pendant l'utilisation des machines à usiner peut entraîner des blessures corporelles graves.

- **Utilisez un équipement de protection personnelle. Travaillez toujours avec des lunettes de protection.** Les équipements de protection tels que le masque anti-poussière, les chaussures de sécurité antidérapantes, le casque ou le protège-oreilles utilisés dans des conditions appropriées réduisent les blessures corporelles.
- **Évitez tout démarrage intempestif. Vérifiez que l'interrupteur est en position d'arrêt avant de brancher l'outil sur l'alimentation et/ou la batterie, de le ramasser ou de le transporter.** Le fait de garder le doigt sur l'interrupteur pendant le transport des outils ou le branchement des machines alors que l'interrupteur est en position ON expose à des accidents.
- **Retirez toute clé ou clavette de calage avant de mettre la machine à usiner sous tension.** Une clé ou une clavette reliée à une pièce mobile de la machine à usiner peut entraîner des blessures corporelles.
- **Ne vous éloignez pas trop. Restez toujours en équilibre et sur vos appuis.** Cela favorise le contrôle de la machine à usiner dans les situations inattendues.
- **Habillez-vous correctement. Ne portez jamais de vêtements amples ou de bijoux. Éloignez vos cheveux et vos vêtements des pièces mobiles.** Les vêtements amples, les bijoux et les cheveux longs peuvent rester coincés dans les pièces mobiles.
- **Si des dispositifs sont fournis pour raccorder des systèmes de collecte et d'extraction de la poussière, vérifiez qu'ils sont correctement branchés et utilisés.** L'utilisation de systèmes de collecte de poussière peut réduire les risques associés à la poussière.
- **La connaissance des outils, acquise par l'usage fréquent de ces derniers, ne doit pas vous dispenser d'être prudent et d'appliquer les principes de sécurité.** Une action inconsidérée peut provoquer de graves blessures en une fraction de seconde.

## Utilisation et entretien de la machine à usiner

- **Ne forcez pas sur la machine à usiner. Utilisez la machine à usiner qui convient à l'application.** La machine qui convient réalisera mieux son travail et de façon plus sûre, à la vitesse pour laquelle elle a été conçue.
- **N'utilisez pas la machine à usiner si l'interrupteur ne permet pas la mise sous tension ou l'arrêt.** Toute machine à usiner impossible à commander avec l'interrupteur est dangereuse et doit être réparée.
- **Débranchez la fiche de l'alimentation et/ou retirez la batterie, si celle-ci est amovible, avant de procéder aux réglages, de changer les accessoires ou de stocker un outil électrique.** Ces mesures de sécurité préventive réduisent le risque de mise sous tension accidentelle de la machine à usiner.

- **Rangez les machines à usiner hors de la portée des enfants et ne pas laisser des personnes qui ne connaissent pas la machine ou ces consignes utiliser l'appareil.** Les machines à usiner sont dangereuses si elles sont entre les mains d'utilisateurs non formés.
- **Entretenez les accessoires et outils électriques. Vérifier le mauvais alignement ou la fixation des pièces mobiles, l'éventuelle rupture des pièces ou toute autre condition susceptible d'altérer le fonctionnement de la machine. Si elle est endommagée, la machine à usiner doit être réparée avant toute réutilisation.** De nombreux accidents sont dus à des machines mal entretenues.

- **Maintenez les outils tranchants aiguisés et propres.** Des outils tranchants correctement entretenus avec des bords aiguisés sont moins susceptibles de se coincer et sont plus faciles à contrôler.
- **Utiliser la machine à usiner, les accessoires, les grains, etc. en suivant ces consignes et en tenant compte des conditions de travail et de la tâche à réaliser.** Il est dangereux d'utiliser l'outil électrique pour tout autre usage que celui prévu.
- **Les poignées et les surfaces de maintien doivent toujours être propres, sèches et sans traces d'huile ni de graisse.** Les poignées et les surfaces de maintien glissantes ne permettent pas une manipulation et un contrôle sûrs de l'outil dans des situations inattendues.

## Utilisation et entretien d'un outil à batterie

- **Ne rechargez la machine qu'avec le chargeur indiqué par le fabricant.** Un chargeur convenant à un type de bloc de batteries particulier peut entraîner un risque d'incendie s'il est utilisé avec un autre bloc.
- **N'utilisez des outils électriques qu'avec des batteries spécifiquement conçues.** L'utilisation d'une autre batterie peut entraîner un risque de blessure et d'incendie.
- **Lorsque la batterie n'est pas utilisée, maintenez-la à distance d'objets métalliques, tels que des trombones, pièces de monnaie, clés, clous, vis, ou autres petits objets en métal risquant de relier une borne à l'autre.** Court-circuiter les bornes de batterie entraîne un risque de brûlures et d'incendie.
- **En cas d'utilisation abusive, du liquide peut s'échapper de la batterie ; évitez tout contact. En cas de contact accidentel, rincez à l'eau. En cas de contact avec les yeux, consultez un médecin.** Le liquide échappé de la batterie peut causer irritations et brûlures.
- **N'utilisez pas une batterie ou un outil endommagé ou altéré.** Les batteries endommagées ou altérées peuvent présenter un comportement imprévisible pouvant provoquer un incendie, une explosion ou un risque de blessure.
- **N'exposez pas une batterie ou un outil au feu ou à des températures trop élevées.** L'exposition au feu ou à des températures supérieures à 130 °C / 266 °F peut provoquer une explosion.

- **Respectez toutes les instructions de charge et ne chargez pas la batterie ou l'outil en dehors de la plage de température spécifiée dans les instructions.** Ne pas charger la batterie correctement ou la charger à des températures comprises en dehors de la plage spécifiée peut endommager la batterie et augmenter le risque d'incendie.

## Entretien

- **Confiez l'entretien de votre outil électrique à un mécanicien qualifié qui utilisera uniquement des pièces de rechange identiques.** Cela permet de garantir la sécurité de la machine.
- **Ne jamais entretenir des batteries endommagées.** L'entretien des batteries doit être effectué uniquement par le fabricant ou des fournisseurs de services agréés.

## Avertissements de sécurité concernant le coupe-bordures, la débroussailleuse et la scie d'élagage

- **N'utilisez pas la machine par mauvais temps, en particulier lorsqu'il y a un risque de foudre.** Cela permet de réduire le risque d'être frappé par la foudre.
- **Inspectez soigneusement la zone où la machine doit être utilisée, afin de repérer la faune éventuelle.** En effet, elle peut être blessée par la machine pendant son fonctionnement.
- **Inspectez attentivement la zone où la machine doit être utilisée et retirez toutes les pierres, les bouts de bois, les câbles, les os et autres corps étrangers.** Les objets projetés peuvent entraîner des blessures.
- **Avant d'utiliser la machine, effectuez toujours une inspection visuelle pour vérifier que la lame ou l'ensemble lame n'est pas endommagé.** L'utilisation de pièces endommagées augmente le risque de blessure.
- **Suivez les instructions relatives au changement des accessoires.** Des écrous ou boulons de fixation de lame mal serrés peuvent endommager la lame, ou la lame peut se détacher.
- **La vitesse nominale de rotation de la lame doit être au moins égale à la vitesse maximale de rotation indiquée sur la machine.** Les lames dont la rotation est supérieure à leur vitesse de rotation nominale peuvent se casser et être projetées.
- **Portez une protection pour les yeux, les oreilles, la tête et les mains.** Un équipement de protection approprié réduit les blessures causées par la projection de débris ou un contact accidentel avec le fil de coupe ou la lame.
- **Lors de l'utilisation de la machine, portez toujours des chaussures de protection antidérapantes. N'utilisez pas la machine si vous êtes pieds nus ou si vous portez des sandales.** Cela réduit le risque de blessure aux pieds en cas de contact avec le fil de coupe ou la lame en mouvement.

- **Lorsque vous utilisez la machine, portez toujours un pantalon.** Le risque de blessures dues à la projection d'objets est plus grand lorsque la peau est exposée.
- **Maintenez les enfants et autres personnes présentes à l'écart pendant l'utilisation de la machine.** Les projections de débris peuvent causer de graves blessures.
- **Utilisez toujours la machine avec les deux mains.** Tenez la machine avec les deux mains pour ne pas risquer de perdre le contrôle.
- **Tenez la machine uniquement par les surfaces de préhension isolées, car la lame ou le fil de coupe pourrait entrer en contact avec du câblage non apparent.** Si le fil de coupe ou les lames touchent un câble sous tension, cela risque de mettre également sous tension les parties métalliques exposées de la machine, ce qui pourrait envoyer un choc électrique à l'utilisateur.
- **Gardez toujours un bon équilibre et utilisez la machine uniquement lorsqu'elle est au sol.** Sur une surface glissante ou instable, vous pourriez perdre l'équilibre ou le contrôle de la machine.
- **Évitez d'utiliser la machine sur des pentes trop raides.** Vous limitez ainsi le risque de perte de contrôle, de glissade et de chute, sources de blessures éventuelles.
- **Lorsque vous travaillez sur une pente, veillez toujours à garder l'équilibre, en tondant l'herbe latéralement et non verticalement. Soyez prudent lorsque vous changez de direction.** Vous limitez ainsi le risque de perte de contrôle, de glissade et de chute, sources de blessures éventuelles.
- **Maintenez toutes les parties du corps à l'écart du fil de coupe ou de la lame lorsque la machine est en marche. Avant de démarrer la machine, assurez-vous que le fil de coupe ou la lame n'est en contact avec aucun objet.** Un moment d'inattention pendant l'utilisation de la machine peut entraîner des blessures pour vous-même ou pour d'autres personnes.
- **N'utilisez pas la machine au-dessus de la taille.** Cela permet de réduire les contacts accidentels avec la lame et de mieux contrôler la machine en cas de situations inattendues.
- **Lorsque vous coupez des broussailles ou des arbrisseaux en tension, faites attention à l'effet de rebond.** Lorsque la tension des fibres du bois est libérée, la broussaille ou l'arbrisseau peut vous frapper ou faire dévier la machine.
- **Soyez extrêmement prudent lorsque vous coupez des broussailles ou de jeunes arbres.** Les branches minces peuvent bloquer la lame, vous fouetter ou vous déséquilibrer.
- **Gardez le contrôle de la machine et ne touchez pas les fils de coupe ou les lames et autres pièces mobiles dangereuses lorsqu'elles sont en mouvement.** Vous réduisez ainsi le risque de blessures dues aux pièces mobiles.
- **Lorsque vous dégagez les débris végétaux coincés ou que vous procédez au nettoyage de la machine, assurez-vous que tous les interrupteurs d'alimentation sont en position d'arrêt et que le cordon d'alimentation est débranché.** Un démarrage inattendu de la machine lorsque vous dégagez les débris végétaux coincés ou que vous procédez à l'entretien peut entraîner de graves blessures.
- **Éteignez la machine si vous voulez la transporter et éloignez-la de votre corps.** Une manipulation correcte de la machine réduit le risque de contact accidentel avec la lame ou le fil de coupe en mouvement.
- **Lorsque vous transportez ou rangez la machine, posez toujours le capot sur les lames métalliques.** Une manipulation correcte de la machine réduit le risque de contact accidentel avec la lame.
- **Utilisez uniquement des fils de coupe, des têtes de coupe et des lames de rechange spécifiés par le fabricant.** Des pièces de rechange incorrectes peuvent augmenter le risque de rupture et de blessure.

### Autres consignes générales de sécurité

- Éteignez le produit lorsque vous vous déplacez dans une autre zone. Retirez toujours la batterie lorsque vous confiez le produit à un tiers.
- Ne posez jamais le produit au sol si vous ne l'avez pas éteint et si vous n'avez pas retiré la batterie. Ne laissez pas le produit sans surveillance quand il est sous tension.
- L'outil de coupe ne s'arrête pas immédiatement après l'arrêt du produit.
- En cas d'impact, vérifiez que le produit ne présente ni signe d'usure ni dommage et procédez aux réparations éventuellement nécessaires avant de l'utiliser à nouveau.
- Si un objet se bloque dans l'accessoire de coupe lorsque vous utilisez le produit, arrêtez et éteignez le produit. Assurez-vous que l'accessoire de coupe s'arrête complètement. Retirez la batterie avant de nettoyer, inspecter ou réparer le produit et/ou l'équipement de coupe.
- Effectuez un contrôle du produit avant toute utilisation. Reportez-vous à la section *Dispositifs de sécurité sur le produit à la page 153* et *Entretien à la page 157*. N'utilisez pas de produit défectueux. Appliquez les instructions d'entretien ainsi que les contrôles de sécurité indiqués dans ce manuel.
- Un accessoire de coupe défectueux peut augmenter les risques d'accidents.
- Vérifiez que l'engrenage ne présente ni fissures ni saletés. Retirez l'herbe et les feuilles coincées dans l'engrenage à l'aide d'une brosse. Au besoin, utilisez des gants.
- Assurez-vous toujours de l'absence de débris dans les orifices de ventilation.
- Vérifiez que la tête de désherbage est parfaitement attachée au coupe-bordures.

- Tous les capots, toutes les protections et toutes les poignées doivent avoir été montés avant d'utiliser la machine.
- Vérifiez que le produit est en parfait état d'utilisation. Contrôlez que tous les écrous et boulons sont correctement serrés.
- Contrôlez la tête de désherbage et le carter de protection afin de détecter d'éventuels dommages ou fissures. Remplacez la tête de désherbage ou le carter de protection si l'un ou l'autre a subi des impacts ou présente des fissures. Utilisez toujours la protection recommandée prévue pour l'équipement de coupe utilisé. Reportez-vous à la section *Accessoires à la page 161*.
- Ce produit est un outil dangereux si vous ne faites pas attention ou si vous l'utilisez de manière incorrecte. Ce produit peut causer des blessures graves, voire mortelles, au conducteur ou à d'autres personnes.
- Cet appareil n'est pas destiné à une utilisation par des personnes (ou des enfants) aux capacités physiques, sensorielles ou mentales limitées ou manquant d'expérience et de connaissances, sauf si elles bénéficient de la surveillance ou des instructions concernant l'utilisation de l'appareil de la part d'une personne responsable de leur sécurité. Il convient de surveiller les enfants et de les empêcher de jouer avec l'appareil.
- Ne laissez jamais des enfants utiliser le produit ou s'en approcher. Dans la mesure où la machine est facile à démarrer, il est possible que des enfants arrivent à la mettre en route lorsque vous les quittez des yeux. Ceci peut entraîner un risque de graves blessures corporelles. Retirez donc la batterie lorsque vous n'êtes pas en mesure de surveiller la machine de près.
- Ne laissez jamais des enfants ou d'autres personnes ne possédant pas la formation requise utiliser ou entretenir le produit et/ou sa batterie.
- Entrez l'équipement dans un lieu verrouillable à clé de façon à ce qu'il soit inaccessible aux enfants et aux personnes non autorisées.
- Maintenez vos mains et vos pieds à distance de la zone de coupe en toutes circonstances, et particulièrement au moment où vous allumez le moteur.
- Éloignez vos mains et vos pieds de l'accessoire de coupe jusqu'à son arrêt complet, une fois le produit éteint.
- Ne retirez pas la matière coupée ou laissez d'autres personnes le faire lorsque le moteur est en marche ou que l'équipement de coupe tourne pour éviter les blessures graves.
- N'oubliez pas que c'est vous, l'opérateur, qui êtes responsable de protéger les tiers et leurs biens de tout accident ou danger.
- Ne modifiez jamais le produit sans l'autorisation du fabricant. Utilisez uniquement des accessoires d'origine. Des modifications non autorisées et/ou l'emploi d'accessoires non homologués peuvent provoquer des accidents graves, voire mortels, à l'utilisateur ou d'autres personnes. Il est possible que votre garantie ne couvre pas les responsabilités ou dommages associés à l'utilisation d'accessoires ou de pièces de rechange non autorisés.
- Les seuls accessoires compatibles avec ce produit sont les accessoires de coupe recommandés dans le chapitre des accessoires. Reportez-vous à la section *Accessoires à la page 161*.
- N'utilisez jamais un produit qui a été modifié au point de ne plus être conforme aux spécifications d'origine
- N'utilisez jamais un produit s'il est défectueux. Suivez les instructions de maintenance et d'entretien ainsi que les contrôles de sécurité indiqués dans ce manuel. Certaines opérations de maintenance et d'entretien doivent être réalisées par un spécialiste dûment formé et qualifié. Voir les instructions à la section Entretien.
- Travailler par mauvais temps est cause de fatigue et peut être dangereux. Il n'est pas recommandé d'utiliser la machine dans de très mauvaises conditions météorologiques, par exemple, en cas de brouillard épais, de forte pluie, de vent violent, de froid intense ou de risque de foudre, etc., car ces conditions constituent des facteurs de risque supplémentaires
- Ne travaillez jamais sur une échelle, un tabouret, ou dans toute autre position élevée qui n'est pas entièrement stable.
- Stockez les appareils non utilisés à l'intérieur : lorsqu'ils ne sont pas utilisés, les appareils doivent être stockés à l'intérieur.
- Il est impossible de prévoir toutes les situations que vous pouvez rencontrer. Soyez toujours prudent et utilisez votre bon sens. Évitez les situations que vous n'êtes pas sûr de maîtriser. Si, après avoir lu ces instructions, vous n'êtes toujours pas sûr de la procédure à suivre, demandez conseil à un expert avant de poursuivre.
- Assurez-vous qu'aucune personne ou aucun animal ne se trouve à moins de 15 mètres de votre zone de travail. Lorsque plusieurs opérateurs travaillent dans une même zone, il convient d'observer une distance de sécurité d'au moins 15 mètres. Dans le cas contraire, il existe un risque de blessures graves. Arrêtez immédiatement le produit si une personne s'approche. Ne tournez jamais sur vous-même avec le produit sans vous assurer d'abord que personne ne se trouve dans la zone de sécurité.
- Assurez-vous qu'aucune personne, aucun animal ou autre objet ne peut faire obstacle à votre contrôle du produit ou entrer en contact avec l'accessoire de coupe ou des objets projetés par celui-ci. Cependant, n'utilisez pas le produit s'il n'est pas possible d'appeler au secours en cas d'accident.
- Assurez-vous de pouvoir vous tenir debout et vous déplacer en toute sécurité. Repérez les éventuels obstacles (racines, pierres, branches, fossés, etc.) en cas de déplacement soudain. Observez la plus



grande prudence lorsque vous travaillez sur des terrains en pente.

- Marchez, ne courez jamais.
- Inspecter la zone de travail. Retirez tous les objets tels que les pierres, les morceaux de verre, les clous, les fils de fer, les bouts de ficelle, etc. pouvant être projetés ou risquant de s'enrouler autour de la lame ou de sa protection.
- Attention aux éclats de bois pouvant être projetés durant le sciage. Ne coupez pas trop près du sol, où des cailloux et d'autres objets peuvent être projetés.
- Vérifiez qu'aucun vêtement et qu'aucune partie du corps n'entre en contact avec l'accessoire de coupe lorsque le produit est en marche. Tenez le produit au-dessous de la taille.
- Attention aux objets projetés. Portez toujours des protections pour les yeux homologués. Ne vous penchez jamais au-dessus de la protection de l'équipement de coupe. Des cailloux, débris, etc. peuvent être projetés dans les yeux et causer des blessures très graves, voire la cécité.
- Soyez toujours attentif aux signaux d'avertissement ou aux cris lorsque vous portez des protège-oreilles. Enlevez toujours vos protège-oreilles dès que le produit s'arrête.
- En cas de vibrations indésirables, tapez pour faire sortir plus de fil. Une longueur correcte de fil permet de faire cesser les vibrations.
- Si le produit commence à vibrer de façon anormale, arrêtez-le et retirez la batterie.
- Une exposition excessive aux vibrations peut entraîner des troubles circulatoires ou nerveux chez les personnes souffrant de problèmes de circulation. Consultez un médecin en cas de symptômes liés à une exposition excessive aux vibrations. Voici les symptômes possibles : engourdissement, perte de sensibilité, chatouillements, picotements, douleur, faiblesse musculaire, décoloration ou modification épidermique. Ces symptômes affectent généralement les doigts, les mains ou les poignets.
- Tenez toujours le produit à deux mains. Tenez l'appareil du côté droit du corps.

## Équipement de protection individuel



**AVERTISSEMENT:** Lisez les instructions qui suivent avant d'utiliser le produit.

- Portez toujours un équipement de protection individuel homologué lorsque vous utilisez le produit. L'équipement de protection individuel ne protège pas complètement des blessures, mais il diminue la gravité des blessures en cas d'accident. Faites appel à votre revendeur pour vous aider à sélectionner l'équipement adéquat.
- Portez un casque de protection lorsqu'il y a un risque de chute d'objets.

- Portez des protège-oreilles homologués ayant un effet atténuateur suffisant. Une exposition prolongée au bruit risque de causer des lésions auditives permanentes.
- Utilisez des protections pour les yeux homologués. L'usage d'une visière doit toujours s'accompagner du port de lunettes de protection homologuées. Les lunettes de protection doivent être conformes aux normes ANSI Z87.1 (États-Unis) ou EN 166 (pays de l'UE).
- Utilisez une visière pour vous protéger le visage. La visière ne suffit pas à protéger les yeux.

(Fig. 19)

- Portez des gants de protection en cas de besoin, par exemple lorsque vous fixez, examinez ou nettoyez l'équipement de coupe.
- Portez des bottes antidérapantes et stables.
- Portez des vêtements fabriqués dans un matériau résistant. Portez toujours des pantalons longs, épais et des manches longues. Ne portez pas de vêtements amples qui risqueraient de se prendre dans les brindilles et les branches. Ne portez pas de bijoux, de shorts, de sandales et ne marchez pas pieds nus. Attachez vos cheveux de façon sécurisée au-dessus de vos épaules.

(Fig. 20)

- Gardez toujours une trousse de premiers soins à portée de main.

(Fig. 21)

## Dispositifs de sécurité sur le produit



**AVERTISSEMENT:** lisez les instructions qui suivent avant d'utiliser le produit.

Cette section présente les fonctions de sécurité, les instructions d'utilisation, de contrôle et d'entretien du produit afin de garantir son bon fonctionnement. Reportez-vous aux instructions ci-dessous *Introduction à la page 147* pour trouver l'emplacement de ces pièces sur votre produit.

La durée de vie du produit risque d'être écourtée et le risque d'accidents accru si l'entretien du produit n'est pas effectué correctement et si les mesures d'entretien et/ou de réparation ne sont pas effectuées de manière professionnelle. Pour plus d'informations, contactez l'atelier de réparation du revendeur le plus proche.



**AVERTISSEMENT:** N'utilisez jamais un produit dont les équipements de sécurité sont endommagés. Contrôlez et entretenez les équipements de sécurité du produit conformément aux instructions données dans ce chapitre. Si les contrôles du produit ne donnent pas de résultat positif, contactez votre atelier spécialisé pour le faire réparer.



**REMARQUE:** L'entretien et la réparation de la machine exigent une formation spéciale. Ceci concerne particulièrement l'équipement de sécurité de la machine. Si les contrôles suivants ne donnent pas un résultat positif, adressez-vous à un atelier spécialisé. L'achat de l'un de nos produits offre à l'acheteur la garantie d'un service et de réparations qualifiés. Si le point de vente n'assure pas ce service, adressez-vous à l'atelier spécialisé le plus proche.

## Pour contrôler la protection de l'équipement de coupe



**AVERTISSEMENT:** N'utilisez pas un équipement de coupe sans une protection d'équipement de coupe correctement fixée et homologuée. Utilisez toujours la protection d'accessoire de coupe recommandée pour l'accessoire de coupe que vous utilisez, reportez-vous à la section *Accessoires à la page 161*. L'installation d'une protection d'accessoire de coupe incorrecte ou défectueuse peut provoquer des blessures graves.

### Contrôle de l'interface utilisateur

1. Maintenez le bouton marche/arrêt (A) enfoncé.
  - a) Le produit est sous tension lorsque l'écran (B) s'allume. (Fig. 22)
  - b) Le produit est hors tension lorsque l'écran s'éteint.
2. Si le témoin d'avertissement sur l'écran est allumé ou clignote, reportez-vous à la section *Interface utilisateur à la page 158*.

### Contrôle du blocage de la gâchette de puissance

Le blocage de la gâchette de puissance est conçu pour empêcher tout fonctionnement accidentel. Lorsque vous appuyez sur le blocage de la gâchette de puissance vers l'avant (A), puis que vous appuyez sur le blocage de la gâchette de puissance contre la poignée (B), la gâchette de puissance (C) est relâchée. Lorsque vous relâchez la poignée, la gâchette de puissance et son blocage reviennent en position initiale. Ce mouvement s'effectue grâce à trois ressorts indépendants l'un de l'autre. (Fig. 23)

1. Vérifiez que la gâchette de puissance est verrouillée lorsque son blocage est en position initiale. (Fig. 24)
2. Appuyez la gâchette de puissance et vérifiez qu'elle revient en position initiale lorsque vous la relâchez. (Fig. 25)
3. Assurez-vous que la gâchette de puissance et le blocage de la gâchette de puissance se déplacent librement et que le ressort de rappel fonctionne correctement.
4. Démarrez le produit ; reportez-vous à *Pour démarrer le produit à la page 156*.
5. Faites-le tourner à plein régime.
6. Lâchez la gâchette de puissance et assurez-vous que l'accessoire de coupe s'arrête et reste immobile.

La protection de l'accessoire de coupe permet d'arrêter les objets projetés en direction de l'opérateur. Elle permet également d'éviter de se blesser si vous touchez l'équipement de coupe.

1. Arrêtez le produit et retirez la batterie.
2. Réalisez un contrôle visuel pour détecter les dommages, par exemple des fissures. (Fig. 26)
3. Remplacez la protection de l'équipement de coupe si celle-ci est endommagée.

### Tête de désherbage

- Utilisez toujours la tête de désherbage et les accessoires de coupe appropriés, ainsi que le fil de coupe recommandé. Reportez-vous à la section *Accessoires à la page 161* et à l'assemblage à la fin du manuel.
- Assurez-vous que le couteau monté sur le carter de protection n'est pas endommagé.
- Assurez-vous que le fil de coupe est enroulé de manière serrée et régulière autour de la bobine afin d'éviter toute vibration inhabituelle du produit. Des longueurs de fil différentes peuvent engendrer des vibrations inutiles. Tapotez la tête de désherbage afin d'obtenir la bonne longueur de fil.

Pour améliorer la durée de vie du fil, laissez-le tremper dans de l'eau pendant 2 jours ou plus avant l'assemblage. Il est ensuite plus résistant.

### Consignes de sécurité pour l'assemblage



**AVERTISSEMENT:** Lisez, comprenez et respectez ces instructions attentivement avant d'utiliser le produit.

- Retirez la batterie du produit avant d'assembler le produit.
- Utilisez des gants de protection homologués.
- Une protection endommagée ou ne fonctionnant pas correctement peut provoquer des blessures. N'utilisez pas un accessoire de coupe qui ne dispose pas de protection homologuée.

- Assurez-vous d'assembler le carter et l'arbre correctement avant de démarrer le produit.
- Le disque d'entraînement et la bride de support doivent s'engager correctement dans le trou central de l'accessoire de coupe. Un accessoire de coupe qui n'est pas correctement fixé peut provoquer des blessures ou la mort.
- Si un harnais est fourni avec l'accessoire, il doit être correctement fixé au produit. Le harnais permet une utilisation sûre et empêche tout risque de blessure pour l'opérateur ou d'autres personnes.

## Consignes de sécurité pour l'entretien



**AVERTISSEMENT:** Lisez les instructions qui suivent avant d'effectuer l'entretien du produit.

- Retirez la batterie avant tout entretien, contrôle ou assemblage du produit.
- L'utilisateur ne doit effectuer que les travaux de maintenance et d'entretien décrits dans ce manuel

- d'utilisation. Adressez-vous à votre revendeur pour toute opération de maintenance et d'entretien de plus grande ampleur.
- Ne nettoyez pas la batterie ou le chargeur de batterie avec de l'eau. L'utilisation de détergents agressifs peut endommager le plastique.
- Un défaut d'entretien réduit le cycle de vie du produit et augmente le risque d'accidents.
- Une formation spéciale est nécessaire pour tous les travaux d'entretien et de réparation, en particulier pour les dispositifs de sécurité sur le produit. Si tous les contrôles spécifiés dans ce manuel d'utilisation ne sont pas validés après l'entretien, consultez votre revendeur. Nous garantissons la disponibilité d'un service de réparation et d'entretien professionnel pour votre produit.
- Utilisez uniquement les pièces de rechange d'origine.
- Portez toujours des gants de protection robustes lorsque vous réparez l'accessoire de coupe. Les lames sont très tranchantes et peuvent aisément causer des blessures.

## Montage

### Montage de la poignée en anneau

1. Fixez la poignée en anneau sur l'arbre entre les flèches. Ne placez pas la poignée en boucle ou l'œillet de suspension sur l'étiquette. (Fig. 27)
2. Insérez l'entretoise dans la rainure de la poignée en anneau.
3. Fixez l'écrou, le bouton et la vis, sans serrer.
4. Ajustez le produit dans une position confortable.
5. Serrez le boulon.

### Pour assembler l'équipement de coupe

L'équipement de coupe comprend un accessoire de coupe et une protection de l'accessoire de coupe.



**AVERTISSEMENT:** Utilisez des gants de protection.



**AVERTISSEMENT:** Utilisez toujours la protection de l'accessoire de coupe recommandée. Consultez la section *Caractéristiques techniques* à la page 160.



**AVERTISSEMENT:** Un accessoire de coupe mal fixé peut entraîner des blessures graves ou mortelles.

### Pour fixer la protection de l'accessoire de coupe

1. Fixez la protection de l'accessoire de coupe (A) sur le crochet du support de plaque (B). (Fig. 28)
2. Installez la protection de l'accessoire de coupe sur l'arbre et serrez-la à l'aide du boulon (C).

### Pour retirer la protection de l'accessoire de coupe

- Desserrez le boulon (C) et retirez la protection de l'équipement de coupe (A) de l'arbre. (Fig. 29)

### Montage des têtes de désherbage



**AVERTISSEMENT:** Lorsque vous montez l'accessoire de coupe, il est crucial que la partie surélevée du disque d'entraînement/de la bride de support soit positionnée correctement dans le trou central de l'accessoire de coupe. Une fixation incorrecte de l'accessoire de coupe peut provoquer des blessures graves, voire mortelles.



**AVERTISSEMENT:** Un équipement de coupe ne peut en aucun cas être utilisé si une protection homologuée n'a pas été préalablement montée. Reportez-vous à la section *Accessoires* à la page 161. La mise en place d'une protection incorrecte ou défectueuse peut provoquer des blessures graves.

## Pour fixer la tête de désherbage

1. Placez le disque d'entraînement (B) sur l'arbre de sortie.
2. Faites tourner l'arbre de sortie pour aligner l'un des trous du disque d'entraînement sur le trou correspondant du carter.
3. Placez la goupille d'arrêt (C) dans le trou afin de bloquer l'arbre.
4. Tournez la tête de désherbage (H) dans le sens contraire des aiguilles d'une montre pour la fixer. (Fig. 30)

## Pour déposer la tête de désherbage

1. Placez la goupille d'arrêt (C) dans le trou afin de bloquer l'arbre.
2. Tournez la tête de désherbage (H) dans le sens des aiguilles d'une montre pour la déposer.
3. Déposez le disque d'entraînement (B) de l'arbre de sortie. (Fig. 30)

---

# Utilisation

---

## Introduction



**AVERTISSEMENT:** Assurez-vous de lire et de comprendre le chapitre dédié à la sécurité avant d'utiliser l'appareil.

## Pour fixer la batterie au produit



**AVERTISSEMENT:** utilisez uniquement des batteries d'origine Husqvarna avec le produit.

1. Assurez-vous que la batterie est complètement chargée.
2. Poussez la batterie dans le support de batterie du produit. La batterie est verrouillée en position lorsqu'un « clic » est émis. (Fig. 31)



**REMARQUE:** si la batterie ne bouge pas facilement dans son support, c'est qu'elle n'est pas installée correctement. Cela peut endommager le produit.

3. Assurez-vous que la batterie est correctement installée.

## Position de travail

- Tenez l'appareil avec les deux mains.
- Tenez l'appareil du côté droit du corps.
- L'équipement de coupe doit se trouver sous la taille de l'utilisateur.
- Maintenez toutes les parties du corps à l'écart des surfaces chaudes.
- Maintenez toutes les parties du corps à l'écart de l'accessoire de coupe.

## Avant d'utiliser le produit

- Examinez la zone de travail pour vous assurer que vous connaissez le type de terrain, l'inclinaison du sol et s'il y a des obstacles tels que des pierres, des branches et des fossés.

- Effectuez une inspection générale du produit.
- Effectuez les inspections de sécurité et les opérations d'entretien et de réparation indiquées dans ce manuel.
- Assurez-vous que l'ensemble des couvercles, protections et poignées, ainsi que l'équipement de coupe, sont correctement fixés et qu'ils ne sont pas endommagés.
- Inspectez la bride de support à la recherche de fissures. Remplacez la bride de support si elle est endommagée.

(Fig. 32)

- Inspectez la tête de désherbage et la protection de l'accessoire de coupe à la recherche de dommages ou fissures. Remplacez la tête de désherbage et la protection de l'accessoire de coupe si elles ont été heurtées ou si elles présentent des fissures.

(Fig. 33)

## Pour démarrer le produit

1. Appuyez sur le bouton marche et maintenez-le enfoncé jusqu'à ce que la LED verte s'allume. (Fig. 34)
2. Utilisez la gâchette de puissance pour contrôler la vitesse.

## Pour limiter la vitesse maximale à l'aide du bouton de mode

Ce produit est équipé d'un bouton de mode. Le bouton de mode permet à l'opérateur de limiter la vitesse maximale. Le bouton de mode dispose de 3 niveaux de vitesse. Un niveau inférieur augmente le temps de fonctionnement du produit. Utilisez les niveaux 1 et 2 si le fonctionnement n'exige pas une vitesse ou une puissance maximale. Si la condition de fonctionnement exige une vitesse ou une puissance maximale, utilisez le niveau 3. N'utilisez pas un niveau plus élevé que nécessaire pour le fonctionnement.

1. Appuyez sur le bouton de mode pour définir une limite de vitesse maximale. Les LED blanches s'allument pour indiquer que la fonction est activée. (Fig. 35)
2. Appuyez de nouveau sur le bouton de mode pour sélectionner le prochain niveau de vitesse.

## Fonction d'arrêt automatique

Le produit est doté d'une fonction d'arrêt qui désactive le produit s'il n'est pas utilisé.

## Désherbage avec tête de désherbage

### Tonte de l'herbe

1. Maintenez la tête de désherbage juste au-dessus du sol et inclinez-la. (Fig. 36) Ne poussez pas le coupe-bordure dans l'herbe.
2. Baissez la vitesse à 80 % lorsque vous coupez l'herbe à proximité d'objets. (Fig. 37)

### Coupe de l'herbe

1. Assurez-vous que le fil du coupe-herbe est parallèle au sol lorsque vous coupez l'herbe. (Fig. 38)
2. N'appuyez pas la tête de désherbage sur le sol. Le sol et le produit peuvent être endommagés.
3. Ne laissez pas la tête de désherbage toucher le sol en continu. Cela peut endommager la tête de désherbage.

4. Utilisez la vitesse maximale lorsque vous déplacez le produit de gauche à droite pour couper l'herbe. (Fig. 39) Assurez-vous que le fil du coupe-herbe est parallèle au sol.

## Pour balayer l'herbe

Le débit d'air du fil de coupe en rotation peut être utilisé pour éliminer l'herbe coupée d'une zone.

1. Maintenez la tête de désherbage et son fil parallèles au sol et au-dessus du sol.
2. Faites-le tourner à plein régime.
3. Déplacez la tête de désherbage d'un côté à l'autre et balayez l'herbe.



**AVERTISSEMENT:** Nettoyez le capot de la tête de désherbage chaque fois que vous remettez un câble neuf pour éviter un déséquilibre et des vibrations dans les poignées. Vérifiez également les autres pièces de la tête de désherbage et nettoyez au besoin.

## Pour arrêter le produit

1. Relâchez la gâchette de puissance ou son blocage.
2. Appuyez sur le bouton STOP. (Fig. 34)
3. Appuyez sur les boutons de déverrouillage de la batterie et sortez la batterie. (Fig. 40)

# Entretien

## Introduction



**AVERTISSEMENT:** Avant d'effectuer des travaux d'entretien, vous devez lire et comprendre le chapitre sur la sécurité.



**AVERTISSEMENT:** Retirez la batterie avant d'effectuer l'entretien.

La liste ci-dessous indique les étapes d'entretien à effectuer sur le produit.

Entretien	Tous les jours	Toutes les semaines	Mensuel
Nettoyez les pièces externes du produit avec un chiffon sec. N'utilisez pas d'eau.	X		
Vérifiez que le bouton marche/arrêt fonctionne correctement et qu'il n'est pas endommagé.	X		
Vérifiez que la gâchette de puissance et son blocage fonctionnent en toute sécurité.	X		
Assurez-vous que toutes les commandes fonctionnent et ne sont pas endommagées.	X		
Nettoyez les poignées pour qu'elles restent toujours propres, sèches et exemptes d'huile et de graisse.	X		

Entretien	Tous les jours	Toutes les semaines	Mensuel
Assurez-vous que l'accessoire de coupe n'est pas endommagé. Remplacez l'accessoire de coupe si celui-ci est endommagé.	X		
Assurez-vous que la protection de l'accessoire de coupe ou la lame n'est pas endommagée. Remplacez la protection de l'accessoire de coupe ou la lame si elle est endommagée.	X		
Assurez-vous que les vis et les écrous sont serrés.	X		
Assurez-vous que les boutons de déverrouillage de la batterie fonctionnent et verrouillent la batterie au produit.	X		
Assurez-vous que la batterie n'est pas endommagée.	X		
Assurez-vous que la batterie est chargée.	X		
Assurez-vous que le chargeur de batterie n'est pas endommagé et qu'il fonctionne correctement.	X		
Vérifiez tous les câbles, tous les raccords et toutes les connexions. Assurez-vous qu'ils ne sont pas endommagés et qu'ils sont propres.		X	
Veillez à ce que le renvoi d'angle soit correctement rempli de graisse : consultez <i>Lubrification du renvoi d'angle à la page 158</i> . Si ce n'est pas le cas, utilisez de la graisse pour renvoi d'angle Husqvarna.		X	
Contrôlez les connexions entre la batterie et le produit. Contrôlez la connexion entre la batterie et le chargeur de batterie.			X

## Pour nettoyer le produit, la batterie et le chargeur de batterie

- Nettoyez le produit avec un chiffon sec après utilisation.
- Nettoyez la batterie et le chargeur de batterie avec un chiffon sec. Veillez à maintenir les rails guides de la batterie en parfait état de propreté.
- Assurez-vous que les bornes de la batterie et du chargeur de batterie sont propres avant d'insérer la batterie dans le chargeur ou le produit.

## Lubrification du renvoi d'angle

- Déposez l'équipement de coupe.
- Placez le produit en mettant le bouchon de graissage dans sa position la plus haute.

- Déposez le bouchon de graissage. (Fig. 41)
- Regardez dans l'orifice du bouchon de graissage et tournez l'arbre d'entraînement. Le niveau de graisse (A) doit être au même niveau que le haut des dents d'engrenage (B). (Fig. 42)
- Si le niveau de graisse est trop bas, remplissez le renvoi d'angle avec de la graisse pour renvoi d'angle Husqvarna. Remplissez lentement et tournez l'arbre d'entraînement tout en appliquant la graisse pour renvoi d'angle, puis arrêtez-vous lorsque vous atteignez le niveau correct (B).



**REMARQUE:** Une quantité incorrecte de graisse peut endommager le renvoi d'angle.

- Réinstallez le bouchon de graissage.

## Dépannage

### Interface utilisateur

Problème	Défaillances possibles	Action possible
Le témoin LED de batterie clignote en orange	Tension de batterie faible.	Rechargez la batterie.

Problème	Défaillances possibles	Action possible
La LED d'erreur clignote en rouge	Surcharge.	L'accessoire de coupe est coincé. Arrêtez le produit. Retirez la batterie. Nettoyez l'accessoire de coupe des matériaux indésirables.
	Écart de température.	Laissez le produit refroidir.
	La gâchette de puissance et le bouton d'activation sont activés en même temps.	Relâchez la gâchette de puissance pour activer le produit.
Le produit ne démarre pas	Connecteurs de batterie encrassés.	Nettoyez les connecteurs de batterie avec de l'air comprimé ou une brosse douce.
La LED d'erreur s'allume en rouge	Le produit doit faire l'objet d'un entretien.	Contactez votre atelier spécialisé.

## Transport, entreposage et mise au rebut

### Transport et stockage

- Les batteries Li-ion fournies respectent les exigences de la législation sur les marchandises dangereuses.
- Vous devez respecter l'exigence spécifique relative à l'emballage et aux étiquettes pour les transports commerciaux, y compris par des tiers et des transitaires.
- Consultez un expert en matières dangereuses avant d'expédier le produit. Respectez les lois nationales en vigueur.
- Mettez du ruban adhésif sur les contacts lorsque vous placez la batterie dans un emballage. Placez la batterie dans l'emballage de façon hermétique pour empêcher tout mouvement.
- Retirez la batterie lors du stockage ou du transport.
- Placez la batterie et le chargeur de batterie dans un endroit sec, exempt d'humidité et de gel.
- Ne conservez pas la batterie dans un endroit présentant un risque d'électricité statique. Ne conservez pas la batterie dans une boîte métallique.
- Conservez la batterie dans un endroit où la température est comprise entre 5 °C (41 °F) et 25 °C (77 °F) et à l'écart de la lumière du soleil.
- Conservez le chargeur de batterie dans un endroit où la température est comprise entre 5 °C (41 °F) et 45 °C (113 °F) et à l'écart de la lumière du soleil.
- N'utilisez le chargeur de batterie que si la température ambiante est comprise entre 5 °C (41 °F) et 40 °C (104 °F).

- Chargez la batterie entre 30 % et 50 % avant de la remettre pendant de longues périodes.
- Conservez le chargeur de batterie dans un local fermé et sec.
- Conservez la batterie à l'écart du chargeur lors du rangement. Ne laissez pas des enfants ou d'autres personnes non homologuées toucher l'équipement. Conservez l'équipement dans un local verrouillable.
- Nettoyez le produit et effectuez un entretien complet avant de remettre le produit pendant de longues périodes.
- Utilisez la protection de transport du produit pour éviter les blessures et les dégâts causés au produit lors du transport et du remisage.
- Fixez le produit pour le transporter.

### Mise au rebut de la batterie, du chargeur de batterie et du produit

Les symboles figurant sur le produit ou son emballage indiquent que ce produit ne fait pas partie des ordures ménagères. Déposez-le dans une station de recyclage pour équipements électriques et électroniques. Ceci permet d'éviter les dangers pour l'environnement et les personnes.

Contactez les autorités locales, le service des ordures ménagères ou votre revendeur pour plus d'informations sur le recyclage de votre produit.

## Caractéristiques techniques

### Caractéristiques techniques

	<b>325iL</b>
<b>Moteur</b>	
Type de moteur	BLDC (sans balais) 36 V
Régime de l'arbre de sortie, 1/min	5800
Largeur de coupe, mm	420
<b>Poids</b>	
Poids, sans batterie et sans accessoire de coupe, kg	3,0
<b>Émissions sonores</b> <sup>28</sup>	
Niveau de puissance acoustique mesuré, dB (A)	93
Niveau de puissance acoustique garanti L <sub>WA</sub> dB (A)	96
<b>Niveaux sonores</b> <sup>29</sup>	
Pression acoustique équivalente au niveau des oreilles de l'utilisateur, mesurée selon la norme ISO 22868, dB(A) :	
Avec tête de désherbage (d'origine)	84
<b>Niveaux de vibrations</b> <sup>30</sup>	
Niveau de vibration au niveau des poignées mesuré selon la norme ISO 22867 en m/s <sup>2</sup>	
Équipé d'une tête de désherbage (d'origine), avant/arrière, m/s <sup>2</sup>	4,3/2,9

### Batteries agréées

<b>Batterie</b>	<b>BLi 200</b>
Type	Lithium-ion
Capacité de la batterie, Ah	5,2

<sup>28</sup> Émissions sonores dans l'environnement mesurées comme puissance acoustique (LWA) selon la directive européenne CE 2000/14/CE. Le niveau de puissance sonore reporté pour la machine a été mesuré avec l'accessoire de coupe d'origine qui atteint le niveau le plus élevé. La différence entre le niveau de puissance sonore garanti et le niveau mesuré réside dans le fait que le niveau garanti prend également en compte la dispersion et les variations d'une machine à l'autre du même modèle, conformément à la directive 2000/14/CE.

<sup>29</sup> Les données reportées pour le niveau de pression acoustique de la machine ont une dispersion statistique typique (déviation standard) de 3 dB (A) et ont été mesurées avec l'équipement d'origine qui donne le niveau le plus élevé.

<sup>30</sup> Les données reportées pour le niveau de vibrations montrent une dispersion statistique typique (déviation standard) de 2 m/s<sup>2</sup>. Pour comparer les niveaux de vibrations, la batterie et les produits de combustion, utilisez le calculateur de vibrations. <https://www.husqvarna.com/uk/services-solutions/vibration-calculator/>.



<b>Batterie</b>	<b>BLI 200</b>
Tension nominale, V	36
Poids, kg (livres)	1,3 (2,9)

### Chargeurs de batterie homologués

<b>Chargeur de batterie</b>	<b>QC330</b>
Tension d'entrée, V	100-240
Fréquence, Hz	50-60
Puissance, W	330

---

## Accessoires

---

### Accessoires

Accessoires homologués	Type d'accessoire	Protection pour équipement de coupe, réf.
Trou central des lames/couteaux, Ø 25,4 mm		
Axe sortant de lame fileté M10		
Tête de désherbage	T35 (fil de coupe torsadé Whisper, Ø maximum 2,4 mm)	597 01 62-02

# Déclaration de conformité

## Déclaration de conformité EU

Nous, **Husqvarna AB**, SE-561 82 Huskvarna, Suède,  
tél : +46-36-146500, déclarons sous notre entière  
responsabilité que le produit :

<b>Description</b>	Coupe-bordures alimenté par batterie
<b>Marque</b>	Husqvarna
<b>Type/Modèle</b>	325iL
<b>Identification</b>	Les numéros de série à partir de 2023 et ultérieurs

est entièrement conforme à la réglementation et aux  
directives de l'UE suivantes :

<b>Directive/Réglementation</b>	<b>Description</b>
2006/42/EC	« relative aux machines »
2014/30/EMC	« relative à la compatibilité électromagnétique »
2011/65/UE	« relative à la limitation de l'utilisation de certaines substances dangereuses »
2000/14/CE	« relative au bruit extérieur »

et que les normes et/ou les spécifications techniques  
suivantes sont appliquées : EN 62841-1:2015/  
AC:2015, EN 62841-4-4 (IEC 62841-4-4:2020),  
EN 61000-6-1:2007 (Immunity), EN 61000-6-3:2007/  
A1:2011/AC:2012 (Emission).



RISE SMP Svensk Maskinprovning AB, Box 4053,  
SE-904 03 Umeå, Sweden a effectué un examen  
de type volontaire conformément à l'annexe IX de la  
directive 2006/42/CE. N° de certificat : SEC/23/2579.

Notified body: 0404, RISE SMP Svensk Maskinprovning  
AB, Box 4053, SE-904 03 Umeå, Sweden a également  
vérifié la conformité à l'annexe VI de la directive du  
conseil 2000/14/CE.

Pour toute information relative aux émissions sonores,  
voir *Caractéristiques techniques à la page 160*.

Huskvarna, 2022-12-01

Stefan Holmberg, Directeur R&D, gestion de la  
technologie, Husqvarna AB

Responsable de la documentation technique

---

## Sadržaj

---

Uvod.....	163	Prijevoz, spremanje i zbrinjavanje.....	173
Sigurnost.....	164	Tehnički podaci.....	174
Sastavljanje.....	170	Dodaci.....	175
Rad.....	171	Izjava o sukladnosti.....	176
Održavanje.....	172	Dodatak .....	447
Rješavanje problema.....	173		

---

## Uvod

---

### Opis proizvoda

Husqvarna 325iL je baterijski trimmer za travu s elektromotorom.

Neprestano radimo na tomu da povećamo vašu sigurnost i učinkovitost tijekom rada. Za više informacija obratite se servisnom zastupniku.

### Namjena

Ovaj proizvod upotrebljavajte s glavom trimera za rezanje različitih vrsta vegetacije. Proizvod upotrebljavajte isključivo za uređivanje i čišćenje trave.

### Pregled proizvoda

(Sl. 1)

1. Korisnički priručnik
2. Pužni zglob
3. Rupa za zabravni klin
4. Glava trimera
5. Štitnik reznog pribora
6. Pogonski disk
7. Kombinirani ključ
8. Okrugla ručka
9. Gumb
10. Vratilo
11. Zaporni klin
12. LED indikator upozorenja
13. Gumb START/STOP
14. Gumb načina rada za brzinu
15. Blokada okidača paljenja
16. Korisničko sučelje
17. Okidač paljenja
18. Kabel punjača baterije
19. Punjač baterije
20. LED indikator napajanja i upozorenja
21. Gumbi za oslobađanje baterije
22. Baterija
23. LED indikator stanja punjenja
24. LED za upozorenje
25. Gumb indikatora baterije

**Napomena:** Uporabu mogu određivati nacionalni ili lokalni propisi. Sukladnost s navedenim propisima.

---

Proizvod upotrebljavajte s dodacima s odobrenjem proizvođača. Pogledajte *Dodaci na stranici 175*.

### Simboli na proizvodu

- (Sl. 2) UPOZORENJE! Ovaj proizvod može biti opasan! Neoprezna ili nepravilna upotreba može uzrokovati ozbiljne ili smrtne povrede rukovatelja strojem ili drugih osoba. Vrlo je važno da pažljivo pročitate i dobro razumijete sadržaj ovog priručnika. Prije rukovanja proizvodom pažljivo pročitate korisnički priručnik i usvojite upute.
- (Sl. 3) Upotrebljavajte odobrenu zaštitu sluha. Upotrebljavajte odobrenu zaštitu za oči.
- (Sl. 4) Maksimalna brzina ili brzina bez opterećenja.
- XXXX /min ili  
min<sup>-1</sup> | Okretaji ili izmjenični pokreti u minuti.
- (Sl. 5) Nazivni napon, V
- (Sl. 6) Istosmjerna struja.
- (Sl. 7) Proizvod ispunjava mjerodavne direktive EZ.

- (Sl. 8) Ovaj je proizvod u skladu s važećim direktivama UK-a. rezultirati teškim ozljedama oka ako se ne upotrebljava preporučena zaštitna oprema.
- (Sl. 9) Koristite odobrene zaštitne rukavice. (Sl. 14) Odspojite bateriju prije održavanja.
- (Sl. 10) Nosite čizme za teške uvjete rada otporne na klizanje. (Sl. 15) Proizvod ima zaštitu od prskanja vode.
- (Sl. 11) Upotrebljavajte samo savitljive nemetalne rezne pribore. (Sl. 16) Izbjegavajte tjelesni kontakt s vrućim površinama.
- (Sl. 12) Oznake na proizvodu i ambalaži znače da se proizvod ne smije odlagati zajedno s komunalnim otpadom. Ovaj je proizvod potrebno deponirati u odgovarajući pogon za reciklažu. (Sl. 17) Najlepnica emisije buke u okoliš u skladu s direktivama i propisima EU i UK te propisom Novog Južnog Walesa „Zaštita od radova u okolišu (kontrola buke) iz 2017.“ Zajamčena razina jačine zvuka proizvoda naznačena je u *Tehnički podaci na stranici 174.*
- (Sl. 13) Pribor može snažno odbaciti predmete koji se mogu odbiti natrag. To može

ggggtboox

Na natpisnoj pločici je serijski broj. **yyyy** je godina proizvodnje, **ww** je tjedan proizvodnje, a **xxxx** je redni broj.

(Sl. 18)

Rukovatelj tijekom rada mora onemogućiti pristup ljudima ili životinjama na bliže od 15 metara. Kada nekoliko korisnika radi na istoj lokaciji sigurnosna udaljenost mora biti barem 15 m.

**Napomena:** Drugi simboli/naljepnice na proizvodu odnose se na zahtjeve za certifikaciju na drugim tržišnim područjima.

## Oštećenje proizvoda

U sljedećim okolnostima nećemo biti odgovorni za oštećenja proizvoda:

- proizvod nepravilno popravljen
- proizvod popravljen dijelovima koje nije proizveo proizvođač ili nemaju odobrenje proizvođača
- proizvod ima dodatnu opremu koje nije proizveo proizvođač ili nemaju odobrenje proizvođača
- proizvod nije popravljen u odobrenom servisnom centru ili kod ovlaštene osobe.

## Sigurnost

### Sigurnosne definicije

Upozorenjima, oprezima i napomenama naglašavaju se posebno važni dijelovi priručnika.



**UPOZORENJE:** Koristi se kada nepoštivanje uputa iz priručnika može uzrokovati smrt ili ozljede rukovatelja ili promatrača.



**OPREZ:** Koristi se kada nepoštivanje uputa iz priručnika može uzrokovati oštećenje proizvoda ili drugih materijala u neposrednoj blizini.

**Napomena:** Koristi se prikaz neophodnih dodatnih informacija za zadanu situaciju.

### Opća sigurnosna upozorenja za električne alate



**UPOZORENJE:** Pročitajte sva sigurnosna upozorenja, upute, ilustracije i specifikacije isporučene s ovim električnim alatom. Nepoštivanje svih uputa u nastavku može uzrokovati električni udar, požar i/ili ozbiljne ozljede.

- **Spremite sva upozorenja i upute za buduće potrebe.** Pojam „električni alat“ u upozorenjima odnosi se na električni alat koji se napaja kabelom putem mrežne utičnice (ožičeni) ili električni alat na baterije (bežični).

### Sigurnost na radnom mjestu

- **Radno mjesto mora biti čisto i dobro osvijetljeno.** Zakrčeni i tamni prostori čest su uzrok nesreća.

- **Nemojte upotrebljavati električne alate u eksplozivnim okruženjima, primjerice u blizini zapaljivih tekućina, plinova i prašine.** Električni alati stvaraju iskre koje mogu zapaliti prašinu ili isparenja.
- **Dok rukujete električnim alatom, pazite da u blizini nema djece ni promatrača.** Svako ometanje može uzrokovati gubitak nadzora nad strojem.

## Električna sigurnost

- **Utičaći električnog alata moraju odgovarati utičnicama. Nemojte ni na koji način mijenjati utikač. Nemojte upotrebljavati utikače prilagodnika za električne alate s uzemljenjem.** Originalni utikači i odgovarajuće utičnice smanjuju opasnost od strujnog udara.
- **Izbjegavajte kontakt s uzemljenim površinama kao što su cijevi, radijatori, štednjaci i hladnjaci.** Postoji velika opasnost od strujnog udara ako dodate u dodir s uzemljenom površinom.
- **Električne alate nemojte izlagati kiši ili vlažnim uvjetima.** U slučaju dospijevanja vode u električni alat povećava se opasnost od strujnog udara.
- **Pazite na kabel.** Kabel nemojte upotrebljavati za prenošenje, povlačenje ili isključivanje električnog alata. Držite ga podalje od vrućine, ulja, oštrih rubova ili pokretnih dijelova. Oštećeni ili zapetljani kabeli povećavaju opasnost od strujnog udara.
- **Kada električni alat upotrebljavate na otvorenom, morate upotrebljavati odgovarajući produžni kabel.** Kabel predviđen za upotrebu na otvorenom smanjuje opasnost od strujnog udara.
- **Ako električnim alatom morate rukovati na vlažnom mjestu, koristite napajanje putem zaštitnog uređaja diferencijalne struje (RCD).** Primjenom zaštitnog uređaja diferencijalne struje (RCD) smanjuje se opasnost od strujnog udara.

## Osobna sigurnost

- **Budite usredotočeni, pazite što radite i razumno upravljajte električnim alatom.** Električni alat nemojte upotrebljavati umorni ili pod djelovanjem droga, alkohola ili lijekova. Trenutak nepažnje pri rukovanju električnim alatom može uzrokovati ozbiljne tjelesne ozljede.
- **Upotrebljavajte osobnu zaštitnu opremu. Uvijek nosite zaštitu za oči.** Upotreba zaštitne opreme poput maske za prašinu, protukliznih zaštitnih cipela, kacige i štitnika za uši u odgovarajućim uvjetima smanjuje opasnost od tjelesnih ozljeda.
- **Spriječite nehotično pokretanje stroja. Prije podizanja ili prenošenja alata ili pak njegova priključivanja na napajanje i/ili baterijski komplet sklopka mora biti u isključenom položaju.** Držanje prsta na prekidaču prilikom nošenja električnih alata ili priključivanje napajanja električnih alata kojima je prekidač uključen povećava rizik od nesreće.
- **Prije priključivanja električnog alata izvadite klin za prilagođavanje ili uklonite ključ.** Ako ključ ili klin ostanu na pokretnom dijelu električnog alata, može doći do tjelesnih ozljeda.
- **Ne posežite predaleko. Uvijek imajte dobar oslonac i održavajte ravnotežu.** To omogućuje bolju kontrolu električnog alata u neočekivanim situacijama.
- **Nosite prikladan odjeću. Nemojte nositi široku odjeću ni nakit. Kosu i odjeću držite podalje od pomičnih dijelova.** Široka odjeća, nakit ili duga kosa mogu zapeti u pokretnim dijelovima stroja.
- **Ako su priloženi uređaji za povezivanje mehanizama za izdvajanje i prikupljanje prašine, pripazite na njihovo pravilno priključivanje i upotrebu.** Upotreba mehanizma za prikupljanje prašine može smanjiti opasnosti uzrokovane prašinom.
- **Zbog rutine nastale čestom primjenom alata nemojte postati samodopadni te zanemarivati sigurnosna pravila.** Neoprezan rad u jedinici sekunde može uzrokovati ozbiljnu ozljedu.

## Upotreba i održavanje električnog alata

- **Nemojte preopteređivati električni alat. Upotrebljavajte električni alat koja odgovara namjeni.** Odgovarajući električni alat posao će obaviti bolje i sigurnije pri onoj brzini za koju je oblikovan.
- **Nemojte upotrebljavati električni alat ako mu se sklopka ne može uključiti i isključiti.** Električni alat kojim ne možete upravljati putem sklopke opasan je i potrebno ga je popraviti.
- **Prije bilo kakvih izmjena, zamjene dodatne opreme ili spremanja električnog alata isključite utikač od izvora napajanja i/ili izvadite baterijski paket iz električnog alata.** Te preventivne sigurnosne mjere smanjuju opasnost od nehotičnog pokretanja električnog alata.
- **Električne alate koji nisu u upotrebi skladištite izvan dohvata djece i osobama koje ne poznaju alat i nisu pročitale ove upute nemojte dopustiti rukovanje alatom.** Električni alati mogu biti opasni kada njima rukuju neiskusni korisnici.
- **Održavajte električni aparat i dodatnu opremu.** Provjerite jesu li spojni ili pokretni dijelovi pogrešno namješteni, je li neki dio oštećen te postoje li neki drugi uzroci koji bi mogli onemogućiti ispravan rad električnog alata. Ako postoje oštećenja, **popravite električni alat prije upotrebe.** Uzrok mnogim nesrećama jest loše održavanje električnih alata.
- **Alati za rezanje moraju biti oštri i čisti.** Ispravno održavani alati za rezanje s oštrim reznim oštricama neće se blokirati te ih je lakše kontrolirati.
- **Upotrebljavajte električni alat, dodatke i dijelove itd. u skladu s ovim uputama, uzimajući u obzir radne uvjete i posao koji treba obaviti.** Upotreba električnih alata u neodgovarajuće svrhe može dovesti do opasnih situacija.
- **Ručke i prihvatne površine moraju biti suhe, čiste i bez tragova ulja i masti.** Klizave ručke i prihvatne površine u neočekivanim situacijama onemogućuju sigurno rukovanje i kontrolu na alatom.

## Upotreba i čišćenje alata za bateriju

- **Bateriju punite samo punjačem koji navodi proizvođač.** Punjač prikladan za jednu vrstu baterije

može uzrokovati opasnost od požara ako se upotrebljava s drugim baterijskim kompletom.

- **Upotrebljavajte električne alate samo s posebno namijenjenim baterijskim kompletima.** Upotreba bilo kojeg drugog baterijskog kompleta može izazvati rizik od ozljede i požara.
- **Kad baterijski komplet ne upotrebljavate, držite ga dalje od drugih metalnih predmeta poput spojnika za papir, novčića, ključeva, čavala, vijaka ili drugih malih metalnih predmeta koji mogu spojiti priključke.** Kratki spoj priključaka baterije može uzrokovati opekline ili požar.
- **U uvjetima lošeg postupanja, iz baterije može štrcnuti tekućina; izbjegavajte dodir s njom. Ako slučajno dođe do dodira, isperite vodom. Ako tekućina dođe u dodir s očima, potražite i liječničku pomoć.** Tekućina koja štrcne iz baterije može izazvati iritacije ili opekline.
- **Nemojte upotrebljavati baterijski komplet ili alat koji je oštećen ili modificiran.** Oštećene ili izmijenjene baterije mogu se ponašati nepredvidivo te uzrokovati požar, eksploziju ili opasnost od ozljede.
- **Baterijski komplet i alat nemojte izlagati vatri ni ekstremnim temperaturama.** Izlaganje vatri ili temperaturama većima od 130 °C / 266 °F može dovesti do eksplozija.
- **Pridržavajte se svih uputa za punjenje, a baterijski komplet i alat nemojte puniti izvan temperaturnog raspona navedenog u uputama.** Neispravno punjenje ili držanje na temperaturama izvan navedenog raspona može oštetiti bateriju i povećati mogućnost od požara.

## Servisiranje

- **Električni alat mora servisirati obučeni serviser s jednakim zamjenskim dijelovima.** Time se zadržava sigurnost električnog alata.
- **Oštećene baterijske pakete nikada nemojte servisirati.** Servisiranje baterijskih paketa dopušteno je samo proizvođaču ili ovlaštenim servisnim distributerima.

## Sigurnosna upozorenja za trimmer za travu, čistač šikare i motornu pilu za čišćenje šikare

- **Izbjegavajte upotrebu stroja tijekom loših vremenskih uvjeta, pogotovo ako postoji opasnost od grmljavinskog nevremena.** Time smanjujete opasnost od udara munje.
- **Temeljito provjerite ima li u području upotrebe proizvoda divljih životinja.** Stroj u radu može ozlijediti divlje životinje.
- **Temeljito pregledajte područje upotrebe stroja te uklonite sve kamenje, grane, žice, kosti i druge strane predmete.** Izbačeni predmeti mogu uzrokovati tjelesne ozljede.
- **Prije upotrebe stroja obavezno vizualno provjerite jesu li rezač, nož ili sklop noža i rezača neoštećeni.** Oštećeni dijelovi povećavaju opasnost od ozljede.
- **Pratite upute za zamjenu dodatne opreme.** Nepravilno zategnute pričvrstne matice ili vijci noža mogu oštetiti nož ili se mogu otpustiti.
- **Nazivna brzina okretanja rezača mora biti najmanje jednaka maksimalnoj brzini vrtnje naznačenoj na stroju.** Ako se rezač kreće brže od nazivne brzine okretanja, može puknuti i raspasti se.
- **Nosite zaštitu za vid, sluh, glavu i šake.** Odgovarajuća zaštitna oprema smanjit će tjelesne ozljede od letećih krhotina ili pri slučajnom dodiru s reznim flaksom ili nožem.
- **Tijekom rada sa strojem obavezno nosite protukliznu zaštitnu obuću. Strojem nemojte rukovati bosonogi ni u otvorenim sandalama.** Tako tijekom košnje smanjujete vjerojatnost ozljede stopala pri kontaktu s rezačem, flaksom ili nožem.
- **Tijekom upotrebe stroja obavezno nosite duge hlače.** Vjerojatnost ozljeđivanja izbačenim predmetima povećava se kada je koža izložena.
- **Tijekom rada sa strojem onemogućite prilaz promatračima.** Izbačeni ostaci mogu uzrokovati ozbiljne tjelesne ozljede.
- **Stroj uvijek upotrebljavajte s obje ruke.** Držeći stroj s obje ruke sprječavate gubitak kontrole.
- **Stroj držite samo za izoliranu prihvatne površine, jer flaks ili nož mogu dodirivati skriveno ožičenje.** Flaksovi ili noževi u dodiru sa žicom pod naponom mogu provoditi struju na sve metalne dijelove šikara za živicu te rukovatelju zadati strujni udar.
- **Uvijek osigurajte dobro uporište i stroj upotrebljavajte samo na tlu.** Skliske ili nestabilne površine mogu uzrokovati gubitak ravnoteže ili gubitak kontrole nad strojem.
- **Stroj nemojte upotrebljavati na izrazito strmim kosinama.** Tako smanjujete opasnost od gubitka kontrole, klizanja i pada, pri čemu može doći do osobne ozljede.
- **Kada radite na kosinama, uvijek provjerite uporište, uvijek radite poprečno duž kosine, nikada uz ili niz, i budite iznimno pažljivi pri promjeni smjera.** Tako smanjujete opasnost od gubitka kontrole, klizanja i pada, pri čemu može doći do osobne ozljede.
- **Dok je stroj u pogonu, sve dijelove tijela držite podalje od rezača, flaksa ili noža. Pri pokretanju stroja rezač, flaks ili nož ne smiju ništa dodirivati.** U trenutku nepažnje tijekom rada sa strojem ozlijediti sebe ili druge.
- **Stroj nemojte pogoniti iznad razine struka.** Tako smanjujete mogućnost slučajnog kontakta s rezačem ili nožem i osiguravate bolju kontrolu nad strojem u neočekivanim situacijama.
- **Pri rezanju napetog grmlja i mladica pazite na odskakivanje.** Po otpuštanju napetosti vlakana u drvetu grmlje ili mladica može udariti rukovatelja i/ili nekontrolirano odbaciti stroj.
- **Budite iznimno oprezni pri rezanju gustiša i mladica.** Tanak materijal može se zaplesti oko noža te biti odbačen prema vama ili vas povlačenjem izbaciti iz ravnoteže.

- **Održavajte kontrolu nad strojem i nemojte dodirivati rezače, flaksove ili noževe te druge opasne pokretne dijelove dok su još u pokretu.** Time smanjujete opasnost od ozljeđivanja na pokretnim dijelovima.
- **Pri uklanjanju zaglavljenog materijala ili servisiranju stroja provjerite jesu li sve električne sklopke isključene, a električni kabel odspojen.** Neočekivano pokretanje stroja tijekom uklanjanja zaglavljenog materijala ili servisiranja može uzrokovati ozbiljne tjelesne ozljede.
- **Stroj prenosite s isključenim motorom i uvijek podalje od tijela.** Pravilno rukujući sa strojem smanjujete vjerojatnost slučajnog kontakta s rezačem, flaksom ili nožem u pokretu.
- **Kada transportirate ili skladištite stroj, obavezno postavite navlaku na metalne dijelove.** Pravilno rukujući sa strojem smanjujete vjerojatnost slučajnog kontakta s nožem.
- **Upotrebljavajte samo zamjenske rezače, flaksove, rezne glave i noževe koje navodi proizvođač.** Neodgovarajući zamjenski dijelovi mogu povećati opasnost od pucanja i mogućnost ozljeđivanja.

## Druge opće sigurnosne informacije

- Isključite proizvod prije prelaska na drugo područje. Obavezno uklonite bateriju uvijek kada proizvod predajete drugoj osobi.
- Nikada nemojte spuštati proizvod ako ga niste isključili i uklonili bateriju. Uključeni proizvod nemojte ostavljati bez nadzora.
- Rezni alat ne zaustavlja se odmah nakon isključivanja proizvoda.
- Prije upotrebe proizvoda i nakon svakog udarca provjerite ima li znakova istrošenosti ili oštećenja te ih po potrebi popravite.
- Ako tijekom pogona dođe do zaglavljenja reznog pribora, zaustavite i isključite proizvod. Provjerite je li rezni pribor potpuno zaustavljen. Prije čišćenja, pregleda ili popravka proizvoda i/ili reznog pribora uklonite bateriju.
- Pregledajte proizvod prije upotrebe. Pogledajte *Sigurnosni uređaji na proizvodu na stranici 168* i *Održavanje na stranici 172*. Nemojte upotrebljavati neispravan proizvod. Provodite sigurnosne provjere, održavanje i servis opisane u ovom priručniku.
- Neispravan rezni pribor povećava opasnost od nezgoda.
- Provjerite postoje li onečišćenja i pukotine. Travu i lišće s opreme očistite četkom. Nosite rukavice kada su potrebne.
- Otvori za ventilaciju moraju biti čisti od krhotina.
- Glava trimera mora biti u potpunosti pričvršćena na trimer.
- Svi poklopci, štitnici i ručke moraju biti namješteni prije pokretanja.
- Provjerite je li uređaj u savršenom radnom stanju. Provjerite zategnutost svih matrica i vijaka.
- Glava trimera i štitnik trimera ne smiju biti oštećeni ili napukli. Glavu trimera ili štitnik trimera zamijenite

ako su bili izloženi udarcu ili ako su napukli. Uvijek upotrebljavajte preporučeni štitnik za specifičan rezni pribor. Pogledajte *Dodaci na stranici 175*.

- Ako ga upotrebljavate neoprezno ili nepravilno, ovaj proizvod je opasan alat. Ovaj proizvod može izazvati teške ozljede ili smrt rukovatelja ili drugih osoba.
- Uređaj ne smiju koristiti osobe (uključujući djecu) s umanjanim fizičkim, osjetilnim ili mentalnim sposobnostima ili nedostatkom iskustva i znanja, osim ako im osoba odgovorna za njihovu sigurnost nije osigurala nadzor ili uputila u sigurno korištenje uređaja. Djecu treba nadzirati kako se ne bi igrala s uređajem.
- Djeci nije dopušteno upotrebljavati proizvod ili se zadržavati u njegovoj blizini. Budući da se uređaj lako pokreće, djeca bi ga mogla pokrenuti ako nisu pod strogim nadzorom. To može rezultirati ozbiljnim tjelesnim ozljedama. Stoga odvojite bateriju kada stroj nije pod strogim nadzorom.
- Upotrebu ili servisiranje proizvoda i/ili baterije nikada nemojte prepustiti djeci ili osobama bez odgovarajuće obuke.
- Opremu spremite u zaključan prostor kako bi bila izvan dohvata djece i neovlaštenih osoba.
- Ruke i stopala uvijek držite podalje od područja rezanja, naročito prilikom uključivanja stroja.
- Pri isključenju proizvoda šake i stopala držite podalje od reznog pribora sve dok se potpuno ne zaustavi.
- Nemojte uklanjati odrezani materijal ili dopustiti to drugima dok je proizvod u pogonu i rezni pribor se okreće jer to može uzrokovati ozbiljne ozljede.
- Imajte na umu da ste vi kao rukovatelj odgovorni za zaštitu drugih osoba ili njihove imovine od nezgoda ili opasnosti.
- Ni u kojem slučaju ne smijete mijenjati dizajn proizvoda bez odobrenja od proizvođača. Obavezno upotrebljavajte originalnu dodatnu opremu. Neovlaštene izmjene i/ili rezervna oprema može uzrokovati ozbiljne osobne ozljede ili smrt rukovatelja ili drugih osoba. Jamstvo ne mora pokrivati oštećenje ili obuhvaćati odgovornost za upotrebu neovlaštene dodatne opreme ili zamjenskih dijelova.
- Jedina dodatna oprema s kojom je dopušten pogon ovog proizvoda rezni su priključci preporučeni u poglavlju Dodatna oprema. Pogledajte *Dodaci na stranici 175*.
- Nikada nemojte upotrebljavati proizvod koji je na bilo koji način izmijenjen u odnosu na izvorne specifikacije.
- Nikada nemojte upotrebljavati neispravan proizvod. Provodite sigurnosne provjere, održavanje i servis opisane u ovom priručniku. Neke od radnji održavanja i servisiranja moraju provoditi isključivo obučeni i kvalificirani stručnjaci. Upute možete pronaći u odjeljku Održavanje.
- Rad u lošim vremenskim uvjetima umara i često je opasniji. Zbog povećane opasnosti ne preporučuje se upotreba proizvoda po vrlo lošem vremenu,

npr. u gustoj magli, po jakoj kiši, snažnom vjetru, intenzivnoj hladnoći ili opasnosti od grmljavinskog nevremena.

- Nikada nemojte raditi s ljestvi, stolice ili drugog nepotpuno osiguranog povišenog položaja.
- Nekorištene uređaje uskladištite u zatvorenom prostoru – kada uređaje ne upotrebljavate, trebate ih uskladištiti u zatvorenom
- Nije moguće obuhvatiti sve situacije s kojima se možete susresti. Uvijek postupajte oprezno i slijedite zdrav razum. Izbjegavajte sve situacije izvan vaših sposobnosti. Ako i nakon čitanja ovih uputa niste sigurni u radne postupke, prije nastavka obratite se stručnjaku.
- Tijekom rada ljudima ili životinjama onemogućite pristup na bliže od 15 metara. Kada nekoliko rukovatelja radi na istom području sigurnosna udaljenost treba biti barem 15 metara. U suprotnom može doći do ozbiljnih tjelesnih ozljeda. Ako se netko približi, odmah zaustavite proizvod. Nikada se nemojte okretati s proizvodom bez prethodne provjere sigurnosnog područja iza vas.
- Pobrinite se da ljudi, životinje ili drugi predmeti ne mogu utjecati na vaš nadzor nad proizvodom i da oni ne dolaze u doticaj s reznim priborom ili nepričvršćenim predmetima koje rezni pribor odbacuje. Međutim, proizvod nemojte upotrebljavati ako ne postoji mogućnost pozivanja u pomoć u slučaju nesreće.
- Osigurajte sigurno kretanje i stav. Provjerite ima li u okolnom području prepreka (korijenja, kamenja, grana, rupa i slično) za slučaj naglog kretanja. Budite izuzetno oprezni pri radu na kosini.
- Hodajte, nemojte trčati.
- Pregledajte radno područje. Uklonite sve slobodne predmete poput kamenja, razbijenog stakla, čavala, čelične žice, konopca, i sl. koji bi mogli biti izbačeni ili omotani oko rezača ili štitnika rezača.
- Pripazite na panjeve ili grane koje mogu biti izbačene tijekom rezanja. Nemojte rezati preblizu tlu kako ne biste izbacili kamenje i druge predmete.
- Pri pokretanju proizvoda pazite da niti jedan dio odjeće ili dijela tijela ne dođe u dodir s reznim priborom. Stroj držite ispod razine struka.
- Pazite na izbačene predmete. Obavezno nosite odobrenu zaštitu za oči. Nipošto se nemojte naginjati preko štitnika reznog pribora. Kamenje, otpaci i sl. mogu biti odbačeni u oči, što može prouzročiti sljepoću ili ozbiljne ozljede.
- Uvijek pazite na znakove upozorenja ili dovike prilikom upotrebe zaštite sluha. Obavezno uklonite zaštitu sluha odmah po zaustavljanju proizvoda.
- Ako se pojave neželjene vibracije, istisnite novi flaks na ispravnu duljinu kako biste zaustavili vibraciju.
- Ako proizvod počne neuobičajeno vibrirati, zaustavite ga i uklonite bateriju.
- Preveliko izlaganje vibracijama može uzrokovati poremećaj cirkulacije ili oštećenje živčanog sustava kod ljudi koji sa slabom cirkulacijom. Ako

imate simptome uzrokovane prevelikim izlaganjem vibracijama, obratite se liječniku. Simptomi uključuju obamrlost, nedostatak osjećaja, škakljanje, trnce, bol, gubitak snage, promjene boje ili stanja kože. Simptomi se uglavnom pojavljuju na prstima, rukama ili zglobovima.

- Uvijek držite ovaj proizvod objema rukama. Proizvod držite na desnoj strani tijela.

## Oprema za osobnu zaštitu



**UPOZORENJE:** Prije upotrebe proizvoda pročitajte upozoravajuće upute u nastavku.

- Prilikom uporabe proizvoda uvijek upotrebljavajte odobrenu osobnu zaštitnu opremu. Oprema za osobnu zaštitu ne može u potpunosti spriječiti ozljede, no smanjuje stupanj ozljede u slučaju nezgode. Pri odabiru odgovarajuće opreme zatražite pomoć ovlaštenog trgovca.
- Upotrebljavajte zaštitnu kacigu ako postoji opasnost od pada predmeta.
- Upotrebljavajte odobrenu zaštitu sluha koja osigurava odgovarajuće prigušenje zvuka. Dugotrajno izlaganje buci može uzrokovati trajno oštećenje sluha.
- Upotrebljavajte odobrenu zaštitu za oči. Ako nosite vizir, morate nositi i odobrene zaštitne naočale. Odobrene zaštitne naočale moraju ispunjavati normu ANSI Z87.1 za SAD ili EN 166 za države EU-a.
- Upotrijebite vizir za zaštitu lica. Vizir nije dovoljan u zaštiti očju.

(Sl. 19)

- Prema potrebi nosite rukavice, primjerice prilikom pričvršćenja, pregleda ili čišćenja rezne opreme.
- Nosite čvrste protuklizne čizme.
- Nosite odjeću napravljenu od čvrstog materijala. Uvijek nosite teške duge hlače i duge rukave. Nemojte nositi široku odjeću koja može zapinjati za grane i prutove. Nemojte nositi nakit, kratke hlače, sandale ili biti bos. Kosu podignite iznad ramena.

(Sl. 20)

- Imajte u blizini pribor za prvu pomoć.

(Sl. 21)

## Sigurnosni uređaji na proizvodu



**UPOZORENJE:** Prije upotrebe proizvoda pročitajte upute upozorenja u nastavku.

U ovom odjeljku opisane su sigurnosne značajke proizvoda, njegova namjena te način provedbe provjera i održavanja za osiguranje ispravnog rada. Potražite upute pod naslovom *Uvod na stranici 163* kako biste pronašli položaj ovih dijelova na proizvodu.



Nepravilno održavanje te neprofesionalno servisiranje i/ili popravci proizvoda skraćuju vijek trajanja proizvoda i povećavaju opasnost od nezgoda. Sve dodatne informacije zatražite od najbližeg servisnog trgovca.



**UPOZORENJE:** Nikada nemojte upotrebljavati proizvod s oštećenim sigurnosnim komponentama. Provodite provjere i održavajte sigurnosnu opremu proizvoda prema uputama opisanim u ovom odjeljku. Ako proizvod ne zadovolji bilo koju od ovih provjera, obratite se serviseru radi popravka.



**OPREZ:** Ptreban je specijalan tečaj za servisiranje i popravak stroja. Ovo se posebno odnosi na sigurnosnu opremu stroja. Ako stroj ne zadovolji neke od provjera navedenih u nastavku, obratite se serviseru. Pri kupnji naših proizvoda jamčimo dostupnost profesionalnih popravaka i servisa. Ako prodavač koji vam je prodao proizvod nije zadužen i za servisiranje, zatražite adresu najbližeg serviseru.

## Provjera korisničkog sučelja

1. Pritisnite i zadržite gumb za pokretanje/zaustavljanje (A).
  - a) Proizvod je uključen kada se uključi zaslon (B). (Sl. 22)
  - b) Proizvod je isključen kada se zaslon isključi.
2. Ako se na zaslonu uključi ili treperi indikator upozorenja, pogledajte *Korisničko sučelje na stranici 173*.

## Provjera blokade okidača paljenja

Blokada okidača paljenja osmišljena je za sprječavanje slučajnog pogona. Kada blokadu okidača paljenja gurnete prema naprijed (A) i potom blokadu okidača paljenja pritisnete uz ručku (B), okidač paljenja (C) se otpušta. Kada otpustite ručku, prekidač za uključivanje i blokada okidača paljenja vratit će se na svoje prijašnje položaje. To kretanje omogućuju tri neovisne opruge. (Sl. 23)

1. Provjerite je li okidač paljenja blokiran kada je blokada okidača paljenja u početnom položaju. (Sl. 24)
2. Pritisnite prekidač za paljenje i provjerite vraća li se u prvobitni položaj nakon što ga otpustite. (Sl. 25)
3. Provjerite pomiču li se okidač paljenja i blokada okidača paljenja neometano, kao i ispravnost povratne opruge.
4. Pokrenite proizvod, pogledajte *Pokretanje proizvoda na stranici 171*.
5. Dajte puni gas.

6. Otpustite okidač paljenja i provjerite zaustavlja je li se rezni pribor i ostaje li nepomičan.

## Provjera štitnika za rezni pribor



**UPOZORENJE:** Rezni pribor nemojte upotrebljavati bez odobrenih i pravilno ugrađenih štitnika za rezni pribor. Uvijek upotrebljavajte preporučeni štitnik za rezni pribor koji upotrebljavate, pogledajte *Dodaci na stranici 175*. Ugradnjom neodgovarajućeg ili neispravnog štitnika za rezni pribor možete uzrokovati ozbiljne tjelesne ozljede.

Štitnik za rezni pribor zaustavlja predmete koji se izbacuju prema rukovatelju. Također sprječava ozljede koje nastaju pri dodiru reznog pribora.

1. Isključite proizvod i uklonite bateriju.
2. Vizualno potražite oštećenja, primjerice napukline. (Sl. 26)
3. Ako je štitnik za rezni pribor oštećen, zamijenite ga.

## Glava trimera

- Obavezno upotrebljavajte odgovarajuću glavu trimera, rezne pribore i preporučeni flaks. Pogledajte *Dodaci na stranici 175* i sklop na kraju priručnika.
- Provjerite je li rezač na štitniku trimera neoštećen.
- Provjerite je li flaks trimera čvrsto i ravnomjerno namotan oko bubnja kako biste spriječili neobične vibracije proizvoda. Različite duljine užeta mogu uzrokovati nepotrebne vibracije. Pritisnite glavu trimera kako biste dobili ispravnu duljinu užeta.

Kako bi produljili vijek trajanja užeta prije postavljanja, namačite ga dva ili više dana u vodi. Uže tako postaje otpornije.

## Sigurnosne upute za sastavljanje



**UPOZORENJE:** Pažljivo pročitajte, usvojite i poštujujte ove upute prije upotrebe stroja.

- Prije sastavljanja proizvoda uklonite bateriju iz proizvoda.
- Koristite odobrene zaštitne rukavice.
- Štitnik koji je oštećen ili neispravan može uzrokovati ozljedu. Nemojte upotrebljavati rezni pribor bez pričvršćenog odgovarajućeg štitnika.
- Pravilno sklopite poklopac i osovinu prije pokretanja proizvoda.
- Pogonska podloška i potporna prirubnica moraju pravilno pristajati na središnji otvor reznog pribora. Nepravilno postavljen rezni pribor može uzrokovati ozljede ili smrt.
- Naramenica mora biti ispravno postavljena na proizvod (ako je isporučena s proizvodom).

Naramenica omogućava siguran rad i sprječava ozljede rukovatelja ili drugih osoba.

## Sigurnosne upute za održavanje



**UPOZORENJE:** Prije održavanja proizvoda pročitajte upozoravajuće upute u nastavku.

- Uklonite bateriju prije održavanja, drugih provjera ili sastavljanja proizvoda.
- Rukovatelj smije provoditi samo radove održavanja i servisiranja opisane u ovom korisničkom priručniku. Za veća održavanja i servisiranje obratite se serviseru.

- Bateriju ili punjač baterije nikada nemojte čistiti vodom. Jači deterdžent može oštetiti plastiku.
- Ako ne provodite održavanje, smanjujete vijek trajanja stroja i povećavate opasnost od nezgoda.
- Sva servisiranja i popravci uvjetuju posebnu obuku, posebice oni na sigurnosnim uređajima na proizvodu. Ako nakon provedbe održavanja nisu odobrene sve provjere iz ovog korisničkog priručnika, obratite se serviseru. Jamčimo dostupnost profesionalnih popravaka i servisiranja za vaš proizvod.
- Upotrebljavajte samo originalne rezervne dijelove.
- Pri popravku reznog pribora obavezno nosite rukavice na teške uvjete rada. Noževi su vrlo oštri i možete se lako ozlijediti.

## Sastavljanje

### Sastavljanje okrugle ručke

1. Pričvrstite okruglu ručku na osovinu između strelica. Okruglu ručku ili ovjesni prsten nemojte staviti na naljepnicu. (Sl. 27)
2. Pomaknite odstoynik u utor okrugle ručke.
3. Pričvrstite maticu, kotačić i vijak, ne pritežite ih prejako.
4. Postavite proizvod u udoban položaj.
5. Pritegnite vijak.

### Sastavljanje rezne opreme

Rezna oprema obuhvaća rezni nastavak i štitnik za rezni nastavak.



**UPOZORENJE:** Upotrijebite zaštitne rukavice.



**UPOZORENJE:** Obavezno upotrebljavajte preporučeni štitnik za rezni nastavak. Pogledajte *Tehnički podaci na stranici 174*.



**UPOZORENJE:** Nepravilno postavljeni rezni nastavak može uzrokovati ozljede ili smrt.

### Postavljanje štitnika reznog nastavka

1. Postavite štitnik reznog nastavka (A) na kuku na držaču ploče (B). (Sl. 28)
2. Ugradite štitnik reznog nastavka na vratilo i pričvrstite ga vijkom (C).

### Uklanjanje štitnika reznog nastavka

- Otpustite vijak (C) i skinite štitnik reznog nastavka (A) s vratila. (Sl. 29)

### Sastavljanje glava trimera



**UPOZORENJE:** Pri ugradnji reznog priključka vrlo je važno da podignuti dio pogonskog diska / potporne prirubnice pravilno uđe u središnji otvor na reznom priključku. Ako rezni priključak nije pravilno ugrađen, može uzrokovati ozbiljne i/ili smrtno tjelesne ozljede.



**UPOZORENJE:** Ni u kom slučaju nemojte upotrebljavati rezni nastavak bez odobrenog štitnika. Pogledajte *Dodaci na stranici 175*. Ugradnjom neodgovarajućeg ili neispravnog štitnika možete uzrokovati ozbiljne tjelesne ozljede.

### Postavljanje glave trimera

1. Pogonsku podlošku (B) postavite na izlaznu osovinu.
2. Okrećite izlaznu osovinu dok se otvori u pogonskoj podlošci ne poravnaju s odgovarajućim otvorom na kućištu mjenjača.
3. Umetnite zaporni klin (C) u otvor da biste blokirali osovinu.
4. Okrenite glavu trimera (H) u smjeru suprotnom od kazaljke na satu kako biste je pričvrstili. (Sl. 30)

### Uklanjanje glave trimera

1. Umetnite zaporni klin (C) u otvor da biste blokirali osovinu.
2. Okrenite glavu trimera (H) u smjeru kazaljke na satu kako biste je uklonili.
3. Uklonite pogonski disk (B) s izlazne osovine. (Sl. 30)

## Uvod



**UPOZORENJE:** Prije upotrebe proizvoda pročitajte i usvojite poglavlje o sigurnosti.

## Priključivanje baterija na proizvod



**UPOZORENJE:** S proizvodom upotrebljavajte samo originalne baterije tvrtke Husqvarna.

1. Provjerite je li baterija potpuno napunjena.
2. Umetnite bateriju u držač baterije na proizvodu. Baterija se učvršćuje u položaju škljocajem. (Sl. 31)



**OPREZ:** Ako se baterija ne umeće lako u držač baterije, nije ispravno ugrađena. Tako možete oštetiti proizvod.

3. Provjerite je li baterija ispravno ugrađena.

## Radni položaj

- Proizvod držite s 2 ruke.
- Proizvod držite na desnoj strani tijela.
- Rezni pribor držite ispod visine struka.
- Dijelove tijela držite podalje od vrućih površina.
- Dijelove tijela držite podalje od reznog pribora.

## Prije rada s proizvodom

- Pregledajte radno područje kako biste se upoznali s vrstom terena, nagibom tla te ustanovili ima li prepreka poput kamenja, granja i jaraka.
- Provedite detaljni pregled proizvoda.
- Provedite sigurnosne preglede, održavanje i servisiranje iz ovog priručnika.
- Provjerite jesu li svi poklopci, štitnici, ručke i rezna oprema neoštećeni i pravilno pričvršćeni.
- Pregledajte ima li pukotina na potpornoj prirubnici. Ako je potporna prirubnica oštećena, zamijenite ju.

(Sl. 32)

- Pregledajte ima li na glavi trimera i štitniku za rezni pribor oštećenja ili pukotina. Zamijenite glavu trimera i štitnik za rezni pribor ako su udareni ili napukli.

(Sl. 33)

## Pokretanje proizvoda

1. Pritisnite i držite gumb za pokretanje dok se ne uključi zeleni LED indikator. (Sl. 34)
2. Brzinu regulirajte okidačem paljenja.

## Ograničavanje maksimalne brzine gumbom za način rada

Proizvod ima gumb za način rada. Gumbom za način rada rukovatelj može ograničiti maksimalnu brzinu. Gumb za način rada ima tri razine brzine. Niža razina produžuje vrijeme rada proizvoda. Ako za rad nije potrebna puna brzina/puna snaga, primijenjujte razinu 1 i 2. Ako radni uvjeti zahtijevaju punu brzinu/punu snagu, primijenjujte razinu 3. Za rad nemojte upotrebljavati previsoku razinu.

1. Pritisnite gumb za način rada kako biste ograničili maksimalnu brzinu. Bijeli LED indikator uključuje se i prikazuje uključenost funkcije. (Sl. 35)
2. Ponovno pritisnite gumb za način rada kako biste odabrali sljedeću razinu brzine.

## Funkcija automatskog isključenja

Proizvod ima funkciju isključenja koja isključuje proizvod ako se ne upotrebljava.

## Obrezivanje trave glavom trimera

### Podrezivanje trave

1. Glavu trimera držite neposredno iznad tla, pod kutom. (Sl. 36) Flaks trimera za travu nemojte utiskati u travu.
2. Ako kosite travu u blizini predmeta, upotrebljavajte 80 % brzine. (Sl. 37)

### Košenje trave

1. Flaks trimera za travu tijekom košenja treba biti paralelan s tlom. (Sl. 38)
2. Glavu trimera nemojte pritiskati na tlo. Možete oštetiti tlo i proizvod.
3. Nemojte dopustiti neprekidan dodir glave trimera i tla, tako možete oštetiti glavu trimera.
4. Pri pomicanju stroja s jedne strane na drugu tijekom košenja trave primijenite punu brzinu. (Sl. 39) Flaks trimera za travu treba biti paralelan s tlom.

### Čišćenje trave

Tok zraka okretajućeg užeta trimera možete iskoristiti za uklanjanje odrezane trave iz određenog područja.

1. Glavu trimera i uže držite paralelno iznad tla.
2. Dajte puni gas.
3. Pomičite glavu trimera s jedne na drugu stranu kako biste počistili travu.



**UPOZORENJE:** Očistite glavu trimera pri svakom umetanju novog užeta trimera kako biste spriječili

neuravnoteženost i vibracije na ručkama.  
Također pregledajte druge dijelove glave trimera i po potrebi ih očistite.

2. Pritisnite tipku za zaustavljanje. (Sl. 34)
3. Pritisnite gumbе za otpuštanje na bateriji i izvadite bateriju. (Sl. 40)

## Zaustavljanje proizvoda

1. Otpustite okidač paljenja i blokadu okidača paljenja.

## Održavanje

### Uvod



**UPOZORENJE:** Prije održavanja morate pročitati i usvojiti poglavlje o sigurnosti.

### Raspored održavanja



**UPOZORENJE:** Prije održavanja izvadite bateriju.

U nastavku je popis koraka održavanja neophodnih za održavanje proizvoda.

Održavanje	Dnevno	Tjedno	Mjesečno
Vanjske dijelove proizvoda očistite suhom krpom. Nemojte prati vodom.	X		
Provjerite radi gumb za pokretanje/zaustavljanje ispravno te je li neoštećen.	X		
Iz sigurnosnih razloga provjerite pravilno funkcioniranje prekidača za uključivanje i blokade prekidača za uključivanje.	X		
Provjerite rade li sve komande ispravno i jesu li neoštećene.	X		
Ručke moraju biti suhe, očišćene od ulja i masti.	X		
Provjerite je li rezni pribor neoštećen. Ako je rezni pribor oštećen, zamijenite ga.	X		
Štitnik reznog priključka ili nož ne smiju biti oštećeni. Ako je štitnik reznog priključka ili nož oštećen, zamijenite ga.	X		
Provjerite jesu li vijci i matice pritegnuti.	X		
Provjerite rade li gumbi za otpuštanje na bateriji i pričvršćuju li bateriju u proizvodu.	X		
Provjerite je li baterija neoštećena.	X		
Provjerite je li baterija napunjena.	X		
Provjerite je li punjač baterije neoštećen te radi li ispravno.	X		
Pregledajte sve kabele, spojnice i priključke. Uvjerite se da su neoštećeni i čisti.		X	
Provjerite je li pužni zglob pravilno ispunjen mazivom, pogledajte <i>Podmazivanje pužnog zgloba na stranici 172</i> . Ako nije, upotrijebite mazivo za pužni zglob Husqvarna.		X	
Provjerite spojeve između baterije i proizvoda. Provjerite spoj između baterije i punjača.			X

## Čišćenje proizvoda, baterije i punjača baterije

1. Proizvod nakon upotrebe očistite suhom krpom.
2. Bateriju i punjač baterije čistite suhom krpom.  
Vodilice za bateriju održavajte čistima.

3. Prije umetanja baterije u punjač baterije ili proizvod provjerite jesu li čisti priključci baterije i punjača baterije.

## Podmazivanje pužnog zgloba

1. Uklonite reznu opremu.

2. Postavite proizvod s poklopcem maziva na najviši položaj.
3. Uklonite poklopac maziva. (Sl. 41)
4. Pogledajte u otvor poklopcu maziva i okrenite pogonsku osovinu. Razina maziva (A) mora biti u razini s gornjim dijelom zupčanika (B). (Sl. 42)
5. Ako je razina maziva preniska, napunite pužni zglob Husqvarna mazivom za pužni zglob. Polako dolijevajte i okrećite pogonsku osovinu dok primjenjujete mazivo za pužni zglob te se zaustavite kad vidite da je mazivo doseglo pravilnu razinu (B).



**OPREZ:** Nedovoljna količina maziva može oštetiti pužni zglob.

6. Vratite poklopac maziva.

## Rješavanje problema

### Korisničko sučelje

Problem	Moguće pogreške	Moguća radnja
LED indikator baterije treperi narančasto	Nizak napon baterije.	Napunite bateriju.
LED pogreške treperi crveno	Preopterećenje.	Zaglavio se priključak za rezanje. Zaustavite proizvod. Uklonite bateriju. Očistite nepoželjni materijal s reznog nastavka.
	Odstupanje temperature.	Pričekajte na hlađenje proizvoda.
	Okidač paljenja i gumb za pokretanje pritisnuti su istovremeno.	Otpustite okidač paljenja i proizvod se uključuje.
Proizvod se ne pokreće	Priključci baterije nisu čisti.	Komprimiranim zrakom ili mekom četkom očistite priključke baterije.
LED pogreške svijetli crveno	Proizvod treba servisirati.	Obratite se serviseru.

## Prijevoz, spremanje i zbrinjavanje

### Prijevoz i skladištenje

- Isporučene litij-ionske baterije podliježu zahtjevima propisa o opasnim proizvodima.
- Pridržavajte se posebnih zahtjeva o pakiranju i označavanju u komercijalnom transportu, uključujući treće strane i prijevoznike.
- Prije slanja proizvoda obratite se osobi s posebnom obukom za opasni materijal. Pridržavajte se svih mjerodavnih nacionalnih propisa.
- Kada bateriju stavljate u pakiranje, otvorene kontakte prelijepite trakom. Učvrstite bateriju u pakiranju kako biste onemogućili pomicanje.
- Izvadite bateriju prilikom prijevoza ili skladištenja.
- Bateriju i punjač baterije spremite u suh prostor bez vlage i mraza.
- Bateriju nemojte spremati u prostor u kojem može nastati statički elektricitet. Bateriju nemojte čuvati u metalnoj kutiji.
- Bateriju uskladištite na mjestu s temperaturom između 5 °C / 41 °F i 25 °C / 77 °F te izvan izravnog sunčeva svjetla.
- Punjač baterije uskladištite na mjestu s temperaturom između 5 °C / 41 °F i 45 °C / 113 °F te izvan izravnog sunčeva svjetla.
- Punjač baterije upotrebljavajte samo pri temperaturama okoline između 5 °C / 41 °F i 40 °C / 104 °F.
- Prije dugotrajnog skladištenja bateriju napunite na 30 % do 50 %.
- Punjač baterije uskladištite u zatvorenom i suhom prostoru.
- Tijekom skladištenja bateriju držite podalje od punjača baterije. Djeci i drugim neovlaštenim

osobama onemogućite dodirivanje opreme. Opremu spremite u prostor koji možete zaključati.

- Prije dugotrajnog skladištenja proizvoda očistite ga i provedite cjeloviti servis.
- Na proizvod prije transporta i skladištenja postavite prijenosni štitičnik kako biste spriječili ozljede ili oštećenje proizvoda.
- Čvrsto pričvrstite proizvod tijekom transporta.

## Zbrinjavanje baterije, punjača baterije i proizvoda

Oznake na proizvodu ili ambalaži proizvoda znače da se proizvod ne pripada u komunalni otpad. Reciklirajte ga u reciklažnoj stanici za električnu i elektroničku opremu. Tako sprječavate oštećenje okoliša i ozljeđivanje osoba.

Više informacija o recikliranju proizvoda zatražite od lokalnih vlasti, komunalne službe ili distributera.

---

## Tehnički podaci

---

### Tehnički podaci

	<b>325iL</b>
<b>Motor</b>	
Vrsta motora	BLDC (beskontaktni) 36 V
Broj okretaja izlazne osovine, 1/min	5800
Širina rezanja, mm	420
<b>Težina</b>	
Težina bez baterije i reznog priključka, kg	3,0
<b>Emisije buke</b> <sup>31</sup>	
Razina jačine zvuka, mjerena u dB (A)	93
Razina jačine zvuka, zajamčena L <sub>WA</sub> dB (A)	96
<b>Razine buke</b> <sup>32</sup>	
Jednakoznačna razina zvučnog tlaka na uhu korisnika, izmjerena sukladno ISO 22868 dB (A):	
S glavom trimera (originalno)	84
<b>Razine vibracije</b> <sup>33</sup>	
Razine vibracija na ručkama, izmjerene sukladno ISO 22867, m/s <sup>2</sup>	
S glavom trimera (original), sprijeda/straga, m/s <sup>2</sup>	4,3/2,9

<sup>31</sup> Emisije buke u okoliš izmjerene kao jačina zvuka (LWA) u skladu s Direktivom EZ 2000/14/EC. Navedena razina jakosti zvuka izmjerena je originalnim reznim priborom koji daje najveću razinu. Razlika između zajamčene i izmjerene razine buke jest da zajamčena razina uključuje i raspršenje rezultata mjerenja i varijacije između različitih uređaja istog modela u skladu s Direktivom 2000/14/EZ.

<sup>32</sup> Navedeni podaci za razinu tlaka zvuka za stroj uključuju tipično statističko raspršenje (standardno odstupanje) od 3 dB (A) i izmjereni su s originalnim priborom koji proizvodi najvišu razinu.

<sup>33</sup> Podaci o razini vibracije pokazuju tipičnu statističku disperziju (standardnu devijaciju) od 2 m/s<sup>2</sup>. Za usporedbu razina vibracije te proizvoda s baterijom i motorom s unutarnjim sagorijevanjem primijenite kalkulator za vibracije. <https://www.husqvarna.com/uk/services-solutions/vibration-calculator/>.

## Odobrene baterije

<b>Baterija</b>	<b>BLI 200</b>
Vrsta	Litij-ion
Kapacitet baterije, Ah	5,2
Nazivni napon, V	36
Masa, kg	1,3 (2,9)

## Odobreni punjači baterije

<b>Punjač baterije</b>	<b>QC330</b>
Ulazni napon, V	100 – 240
Frekvencija, Hz	50 – 60
Snaga, W	330

---

## Dodaci

---

## Dodatna oprema

Odobrena dodatna oprema	Vrsta dodatne opreme	Štitnik reznog pribora, kat. br.
Središnji provrt na noževima/rezačima, Ø 25,4 mm		
Navoj izlazne osovine M10		
Glava trimera	T35 (uvijeni flaks trimera, maksimalni Ø 2,4 mm)	597 01 62-02

## Izjava o sukladnosti

### Izjava o sukladnosti za EU

Mi, **Husqvarna AB**, SE-561 82 Huskvarna, Švedska, tel.: +46-36-146500, pod punom odgovornošću izjavljujemo da proizvod:

<b>Opis</b>	Baterijski trimmer za travu
<b>Marka</b>	Husqvarna
<b>Vrsta/model</b>	325iL
<b>Identifikacija</b>	Serijski brojevi iz 2023 i noviji

u potpunosti su sukladni sljedećim EU direktivama i propisima:

Direktiva/propis	Opis
2006/42/EC	„o strojevima“
2014/30/EMC	„koja se odnosi na elektromagnetsku kompatibilnost“
2011/65/EU	„vezano za ograničenje određenih opasnih tvari“
2000/14/EC	„koja se odnosi na vanjsku buku“

i primjenjuju se sljedeće norme i/ili tehničke specifikacije: EN 62841-1:2015/AC:2015, EN 62841-4-4 (IEC 62841-4-4:2020), EN 61000-6-1:2007 (Immunity), EN 61000-6-3:2007/A1:2011/AC:2012 (Emission).



Organizacija RISE SMP Svensk Maskinprovning AB, Box 4053, SE-904 03 Umeå, Sweden provela je dobrovoljno tipsko ispitivanje sukladno dodatku IX Direktive 2006/42/EC. Br. certifikata: SEC/23/2579.

Organizacija Notified body: 0404, RISE SMP Svensk Maskinprovning AB, Box 4053, SE-904 03 Umeå, Sweden također je potvrdila usklađenost s dodatkom VI Direktive vijeća 2000/14/EC.

Informacije o emisiji buke potražite u odjeljku *Tehnički podaci na stranici 174.*

Huskvarna, 2022-12-01

Stefan Holmberg, Direktor odjela za istraživanje i razvoj, Upravljanje tehnologijom, Husqvarna AB

Osoba odgovorna za tehničku dokumentaciju



# TARTALOMJEGYZÉK

Bevezető.....	177	Szállítás, tárolás és ártalmatlanítás.....	188
Biztonság.....	178	Műszaki adatok.....	189
Összeszerelés.....	185	Tartozékok.....	190
Üzemeltetés.....	185	Megfelelőségi nyilatkozat.....	191
Karbantartás.....	187	Melléklet .....	447
Hibaelhárítás.....	188		

## Bevezető

### Termékleírás

A Husqvarna 325iL egy elektromos motorral rendelkező, akkumulátoros szegélyvágó.

Folyamatosan dolgozunk azon, hogy javítani tudjuk az ügyfeleink használat közbeni biztonságát és hatékonyságát. További tájékoztatásért forduljon az illetékes szakszervizhez.

### Rendeltetésszerű használat

A termékre szerelt nyírófejjel különféle növényzetet vághat. Ne használja a terméket fűnyírástól és fűritkítástól eltérő célokra.

### A termék áttekintése

(ábra 1)

1. Kezelői kézikönyv
2. Szóghajtás
3. Rögzítőcsap nyílása
4. Damiilfej
5. A vágófelszerelés védőburkolata
6. Hajtótárcsa
7. Kombinált kulcs
8. Hurokfogantyú
9. Gomb
10. Nyél
11. Rögzítőcsap
12. Figyelmeztetésjelző LED
13. Indító-/leállítógomb
14. Sebességmód gomb
15. Kapcsológomb retesze
16. Felhasználói felület
17. Kapcsológomb
18. Akkumulátortöltő kábele
19. Akkumulátortöltő
20. Bekapcsolás- és figyelmeztetésjelző LED
21. Akkumulátorkioldó gombok
22. Akkumulátor
23. A töltöttségi állapotot jelző LED indikátor
24. Figyelmeztető LED
25. Akkumulátorjelző gomb

**Megjegyzés:** A használatot nemzeti vagy helyi előírások szabályozhatják. Tartsa be a vonatkozó előírásokat.

Csak a gyártó által jóváhagyott tartozékokat használjon. Lásd: *Tartozékok190. oldalon.*

### A terméken található jelzések ()

(ábra 2) **FIGYELMEZTETÉS!** A termék veszélyes lehet! A vigyázatlan vagy helytelen használat komoly vagy halálos kimenetelű sérülésekhez vezethet a dolgozó illetve környezete számára. Rendkívül fontos, hogy végigolvassa és megértse a használati utasítást. A termék használatba vétele előtt olvassa el figyelmesen a használati utasítást, és győződjön meg róla, hogy megértette a benne foglaltakat.

(ábra 3) Használjon jóváhagyott fülvédőt.  
Használjon jóváhagyott védőszemüveget.

(ábra 4) Maximális sebesség vagy terhelés nélküli sebesség.

XXXX/perc vagy perc<sup>-1</sup> Fordulatok vagy lengőmozgások száma percenként.

(ábra 5) Feszültségosztály, V

(ábra 6) Egyenáram.

(ábra 7)	Ez a termék megfelel a vonatkozó EK-irányelveknek.	biztonsági felszerelés használatának mellőzése esetén súlyos megsérülést okozhat.
(ábra 8)	A termék megfelel a vonatkozó egyesült királyságbeli irányelveknek.	(ábra 14) Karbantartás előtt válassza le az akkumulátort.
(ábra 9)	Használjon jóváhagyott védőkesztyűt.	(ábra 15) A termék védett a fröccsenő vízzel szemben.
(ábra 10)	Használjon csúszásálló munkavédelmi bakancsot.	(ábra 16) Minden testrészét tartsa távol a forró felületektől.
(ábra 11)	Kizárólag nem fém, rugalmas vágófelszerelést használjon.	(ábra 17) Az EU és az Egyesült Királyság irányelveinek és jogszabályainak, és New South Wales „Környezetben történő munkavégzés szabályozása (zajszabályozás), 2017” irányelvének megfelelő környezeti zajkibocsátási címe. A termék garantált hangteljesítményszintjére vonatkozó adatok megtalálhatók az alábbi részen: <i>Műszaki adatok189. oldalon.</i>
(ábra 12)	A terméken vagy a csomagoláson található szimbólum azt jelzi, hogy ezt a terméket nem szabad a háztartási hulladék közé helyezni. A leselejtezett terméket le kell adni a megfelelő újrahasznosítási létesítményben.	
(ábra 13)	A tartozék nagy erővel fújhat ki tárgyakat, amelyek visszapatannak. Ez a javasolt	

ééééhhxxxx	A típustáblán megtalálható a sorozatszám. <b>éééé</b> a gyártási év, <b>hh</b> a gyártási hét és <b>xxxx</b> pedig a sorozatszám.
(ábra 18)	A kezelő ügyeljen arra, hogy se ember, se állat ne jöjjön 15 m-nél közelebb. Ha ugyanazon a munkaterületen többen is dolgoznak, legalább 15 méteres biztonsági távolságot kell tartani.

**Megjegyzés:** A terméken szereplő többi jelölés/címke a további piacok specifikus vizsgáztatási követelményeire vonatkozik.

## A termék károsodása

A termékben keletkezett károkért nem vállalunk felelősséget, amennyiben:

- a termék javítását helytelenül végezték;
- a termék javítása nem a gyártótól származó vagy általa jóváhagyott alkatrészekkel történt;
- a terméket nem a gyártótól származó vagy általa jóváhagyott kiegészítővel szerelték fel;
- a termék javítását nem hivatalos szakszerviz vagy jóváhagyott egyéb szerviz végezte.

## Biztonság

### Biztonsági meghatározások

A figyelmeztetések, óvintézkedések és megjegyzések a használati utasítás kiemelten fontos részeire hívják fel a figyelmet.



**FIGYELMEZTETÉS:** Akkor használatos, ha a kézikönyv utasításainak be nem tartása esetén fennáll a kezelő vagy a közelben tartózkodók sérülésének vagy halálának veszélye.



**VIGYÁZAT:** Akkor használatos, ha a kézikönyv utasításainak be nem tartása esetén fennáll a vagyoni kár, illetve a termék

vagy a környező terület károsodásának veszélye.

**Megjegyzés:** További információt biztosít az adott helyzetben szükséges tennivalókról.

### A motoros szerszámmal kapcsolatos általános biztonsági figyelmeztetések



**FIGYELMEZTETÉS:** Olvassa el a jelen szerszámgépre vonatkozó összes biztonsági utasítást, útmutatást, ábrát és specifikációt. A az alább felsorolt utasítások

figyelman kívül hagyása áramütést, tüzet és/vagy komoly sérülést okozhat.

- **Tegyen el minden figyelmeztetést és utasítást, mert a jövőben szüksége lehet rájuk.** A „motoros szerszám” kifejezés a figyelmeztetésekben a hálózatról működő (vezetékes) motoros szerszámra vagy az akkumulátorral működő (vezeték nélküli) motoros szerszámra vonatkozik.

## A munkaterület biztonsága

- **Tartsa a munkaterületet tisztán és világítsa meg jól.** A zsúfolt vagy sötét területeken könnyen bekövetkeznek balesetek.
- **Ne működtesse a motoros szerszámot robbanásveszélyes környezetben, pl. gyúlékony folyadékok, gázok vagy por jelenlétében.** A motoros szerszám szikrát vethet, amely begyújthatja a port vagy a kipárolgást.
- **Tartsa távol a gyermekeket és a szemlélődőket a motoros szerszám működtetése közben.** A figyelem elvonása miatt elvesztheti az uralmát a szerszám felett.

## Elektromos biztonság

- **A motoros szerszám dugaszának illeszkednie kell az aljzatba.** A dugón soha semmilyen átalakítást ne végezzen. Ne használjon adapter dugaszt a földelt motoros szerszámokhoz. Kisebb az áramütés veszélye, ha eredeti dugókat és hozzájuk illő aljzatokat használ.
- **Kerülje el a földelt felületekkel, pl. csövekkel, radiátorokkal, tűzhelyekkel és hűtőszekrényekkel való érintkezést.** Megnövekszik az áramütés veszélye, ha a teste le van földelve.
- **Ne tegye ki a motoros szerszámot esőnek, és ne tartsa azt nedves környezetben.** A gépbe jutó víz növeli az áramütés kockázatát.
- **Ne bánjon durván a kábellel. Soha ne használja a kábelt a motoros szerszám hordozására, húzására vagy a dugasz kihúzására.** Tartsa távol a kábelt hőtől, olajtól, éles szélektől vagy mozgó alkatrészekről. A sérült vagy összegabalyodott kábelek megnövelik az áramütés kockázatát.
- **Ha kültéren használja a motoros szerszámot, használjon kültéri használatra megfelelő hosszabbítókábelt.** A kültéri alkalmazáshoz megfelelő hosszabbító használata csökkenti az áramütés veszélyét.
- **Ha a szerszámgépet feltétlenül nedves helyen kell használni, alkalmazzon életvédelmi relével (RCD) védett tápellátást.** Az RCD használatával csökkenthető az áramütés kockázata.

## Személyes biztonság

- **Legyen elővigyázatos, figyeljen arra, amit csinál, és használja a józan eszét a motoros szerszám működtetése során.** Ne használja a motoros szerszámot, ha fáradt, vagy ha gyógyszer, gyógykezelés vagy alkohol hatása alatt áll.

A szerszám működése közben egy pillanatra figyelmen kívül hagyása súlyos személyi sérülést okozhat.

- **Használjon személyi védőfelszerelést. Mindig használjon szemvédőt.** A megfelelő környezetben a védőfelszerelések, például a pormasz, a csúszásgátló védőcipő, a kemény fejdő és a fülvédő használata csökkenti a személyi sérülések kockázatát.
- **Akadályozza meg a véletlen indítást. Ellenőrizze, hogy a bekapcsoló gomb kikapcsolt állásban van-e, mielőtt csatlakoztatja az áramforrást és/vagy az akkumulátort, illetve felveszi vagy szállítja a szerszámot.** Az ujjá kapcsolón tartásával vagy a bekapcsolt motoros szerszám áram alá helyezéseével balesetet okozhat.
- **Távolítson el minden beállító kulcsot vagy csavarkulcsot, mielőtt bekapcsolná a motoros szerszámot.** A motoros szerszám forgó alkatrészeihez csatlakozó kulcs vagy más szerszám személyi sérülést okozhat.
- **Ne nyújtózkodjon a termékkel. Mindig szilárdan álljon a talajon, és őrizze meg az egyensúlyát.** Így jobban uralhatja a motoros szerszámot váratlan helyzetekben.
- **Ötözködjön megfelelően. Ne viseljen ékszereket, rövidnadrágot, szandált, illetve ne legyen meztőláb.** Tartsa távol a haját és ruházatát a mozgó alkatrészekről. A mozgó alkatrészek bekaphatják a laza ruhát, az ékszert vagy a hosszú hajat.
- **Ha a készülékhez csatlakoztatható porgyűjtő berendezés, akkor mindig csatlakoztassa és használja azt.** A porgyűjtő alkalmazása csökkenti a porral kapcsolatos veszélyeket.
- **A szerszámok rendszeres használatából adódó tapasztalata ne vezessen oda, hogy a terméket könnyelműen, a szerszámbiztonsági alapelvek figyelmen kívül hagyásával működteti.** Egy gondatlanul kivitelezett művelet akár egy századmásodperc alatt is súlyos sérüléshez vezethet.

## A motoros szerszám használata és karbantartása

- **Ne erőltesse a motoros szerszámot. Használjon a feladathoz megfelelő motoros szerszámot.** A megfelelő szerszámgép jobb és biztonságosabb munkát fog végezni azon a sebességen, amire tervezték.
- **Ne használja a motoros szerszámot, ha a kapcsoló nem kapcsolja ki vagy be.** A kapcsolóval nem vezérelhető szerszámgépek veszélyesek és javítandók.
- **Húzza ki a dugaszt az áramforrásból és/vagy vegye ki az akkumulátort (amennyiben kivethető), ha bármilyen beállítást végez, kicseréli egy tartozékot vagy tárolja a motoros szerszámot.** Az ilyen megelőző biztonsági intézkedések csökkentik a motoros szerszám véletlen elindításának veszélyét.

- **A nem használt motoros szerszámot tartsa távol a gyerekektől, és ne engedje, hogy olyan személyek működtessék, akik nem ismerik a motoros szerszámot és ezeket az utasításokat.** A motoros szerszámok képzetlen felhasználók kezében veszélyt jelentenek.
- **Végezze el a szerszámgépek és tartozékok karbantartását. Ellenőrizze a mozgó alkatrészek hibás elhelyezkedését és rögzítését, az alkatrészek sérülését, és minden olyan állapotot, amely hatással lehet a szerszám működésére.** Ha sérült, javíttassa meg a motoros szerszámot használat előtt. A rosszul karbantartott motoros szerszámok rengeteg balesetet okoznak.
- **Tartsa élesen és tisztán a vágószerszámokat.** A megfelelően karbantartott, éles vágószerszámok kevésbé hajlamosak a beszorulásra, és könnyebb kezelni őket.
- **A szerszámot, a tartozékokat és az alkatrészeket stb. ezen utasításokkal összhangban használja, vegye figyelembe a munkakörülményeket és az elvégzendő feladatot.** Ha a szerszámgépet másféle tevékenységre használják, mint amire tervezték, veszélyes helyzet állhat elő.
- **A fogantyúkat és fogófelületeket tartsa szárazon, tisztán, olaj- és zsímentesen.** A csúszós fogantyúk és fogófelületek nem teszik lehetővé a szerszám biztonságos kezelését és irányítását váratlan helyzetekben.

## Az akkumulátor használata és karbantartása

- **Csak a gyártó által meghatározott töltővel töltsze.** Az a töltő, amelyik az egyik típusú akkumulátorhoz használható, tűzveszélyes lehet, ha másik típusú akkumulátorral használják.
- **A motoros szerszámokat csak a típusuknak megfelelő akkumulátorokkal használja.** Bármilyen más típusú akkumulátor használata sérülés- és tűzveszélyes.
- **Amikor az akkumulátort nem használja, tartsa távol más fémtárgyaktól, például gémkapcsoktól, érméktől, kulcsoktól, tűktől, csavaroktól vagy más kisebb fémtárgyaktól, amelyek összekapcsolhatják a sarukat.** Az akkumulátorsaruk rövidre zárása égést vagy tüzet okozhat.
- **Nem megfelelő körülmények hatására az akkumulátorból folyadék szivároghat ki. Kerülje az érintkezést. Ha ez véletlenül mégis megtörténik, öblítse le vízzel. Ha a folyadék szembe kerül, forduljon orvoshoz.** Az akkumulátorból távozó folyadék irritációt vagy égési sérülést okozhat.
- **Ne használjon sérült vagy módosított akkumulátort vagy szerszámot.** A sérült vagy módosított akkumulátorok kiszámíthatatlanul viselkedhetnek, ami tüzet, robbanást vagy sérülést okozhat.
- **Az akkumulátort vagy szerszámot ne tegye ki tűznek vagy túl magas hőmérsékletnek.** A tűznek való kitettség, illetve a 130 °C/266 °F feletti hőmérséklet robbanást okozhat.

- **Kövesse a töltésre vonatkozó utasításokat, és ne töltsze az akkumulátort vagy a szerszámot az utasításokban megadott hőmérséklet-tartományon kívül.** A nem megfelelő, illetve a megadott tartományon kívül eső hőmérsékleten való töltés károsíthatja az akkumulátort és növeli a tűzveszélyt.

## Szervizelés

- **A motoros szerszám szervizelését képzett szerelővel végeztesse el, aki kizárólag eredeti cserealkatrészeket használ.** Így fenntartható a motoros szerszám biztonsága.
- **Soha ne szervizelje a sérült akkumulátort.** Az akkumulátor szervizelését csak a gyártó vagy egy hivatalos szolgáltató végezheti el.

## A fűszegélyvágó, a fűkasza és a tisztítófűrészbiztonsági figyelmeztetései

- **Rossz időjárási körülmények között – főleg villámás veszélye esetén – ne használja a gépet.** Ez csökkenti a villámcsapás veszélyét.
- **Alaposan vizsgálja meg az élővilág szempontjából azt a területet, ahol a gépet használni kívánja.** Az ott élő állatok megsérülhetnek a gép működése közben.
- **Alaposan vizsgálja át a területet, ahol a gépet használni kívánja, és távolítsa el minden követ, botot, drótot, csontot és egyéb idegen tárgyat.** A felcsapódó tárgyak súlyos személyi sérülést okozhatnak.
- **A gép használata előtt mindig ellenőrizze szemrevételezéssel, hogy a vágófeje vagy a penge és a vágószerkezet vagy a késszerelvény nem sérült-e.** A sérült alkatrészek növelik a sérülésveszélyt.
- **Tartsa be a tartozékok cseréjére vonatkozó utasításokat.** Ha a penge rögzítőanyai vagy csavarjai nincsenek megfelelően meghúzva, károsíthatják a pengét, vagy leválhatnak.
- **A vágófeje névleges fordulatszámának legalább a gépen jelzett maximális fordulatszámmal egyenlőnek kell lennie.** A névleges fordulatszámunknál nagyobb fordulatszámon működő vágófejek eltérhetnek, és szétrepülhetnek.
- **Viseljen védőszemüveget, fülvédőt, védősisakot és kézvédőt.** A megfelelő védőfelszereléssel mérsékelhető az elrepülő törmelék vagy a damil, illetve penge véletlen érintése okozta személyi sérülés.
- **A gép működtetése közben mindig viseljen csúszásmentes munkavédelmi lábbelit. Ne használja a gépet meztláb vagy nyitott szandálban.** Ez csökkenti a mozgó damillal vagy pengével való érintkezés miatti lábsérülés kockázatát.
- **A gép használata közben mindig viseljen hosszú nadrágot.** A szabadon hagyott bőrfelületek növelik a repülő tárgyak okozta sérülés valószínűségét.
- **A gép működtetése közben tartsa távol a járókelőket.** A kirepülő hulladék súlyos személyi sérülést okozhat.

- **A gépet mindig két kézzel használja.** Az irányítás elvesztését megelőzendő, a gépet mindig két kézzel tartsa.
- **A gépet kizárólag a szigetelt fogófelületnél tartsa, mert a damil vagy a penge belevághat a rejtett kábelekkbe.** Ha a damil vagy a penge feszültség alatt álló vezetékkel érintkezik, a gép fémrészei is feszültség alá kerülnek, és így a berendezés működtetőjét áramütés érheti.
- **Mindig ügyeljen a megfelelő lábtartásra, és csak akkor működtesse a gépet, ha szilárd talajon áll.** Síkos vagy instabil felületen elvesztheti egyensúlyát vagy uralmát a gép felett.
- **Ne üzemeltesse a gépet túlságosan meredek lejtőkön.** Ez csökkenti az esetleges személyi sérüléshez vezető irányításvesztés, elcsúszás vagy elesés kockázatát.
- **Ha lejtőn dolgozik, mindig ügyeljen arra, hogy stabilan áll, mindig a lejtőn keresztben dolgozzon, soha ne felfelé vagy lefelé, és irányváltáskor legyen rendkívül óvatos.** Ez csökkenti az esetleges személyi sérüléshez vezető irányításvesztés, elcsúszás vagy elesés kockázatát.
- **A gép működése közben tartsa távol minden testrészét a vágófejtől, damiltól vagy a pengétől. A gép beindítása előtt győződjön meg arról, hogy a vágófej, damil vagy penge nem érintkezik semmivel.** A gép működése közben egy pillanatra figyelmen kívül hagyható súlyos sérülést okozhat a kezelőnek vagy másoknak.
- **Ne működtesse a gépet derékmagasság felett.** Így megakadályozhatja, hogy a vágófej vagy penge véletlenül hozzáérjen valaminez, és váratlan helyzetben megőrizheti uralmát a gép felett.
- **Feszültség alatt álló cserék vagy facsometék vágásakor számoljon a visszacsapódás lehetőségével.** A farostok feszültségének megszűnésekor a cserje vagy a facsomete a kezelőnek csapódhat, illetve úgy mozdulhat, hogy a kezelő elveszíti uralmát a gép felett.
- **Bokrok és fiatal fák vágása különös körültekintést igényel.** A vékony anyag beleakadhat a pengébe, és a kezelő felé csapódhat, vagy kimozdíthatja a kezelőt az egyensúlyából.
- **Tartsa meg a gép feletti uralmát, és ne érjen hozzá a vágófejhez, damilhoz vagy pengéhez és más veszélyes mozgó alkatrészekhez, amíg azok mozgásban vannak.** Ez csökkenti a mozgó alkatrészek okozta sérülések kockázatát.
- **A beragadt anyagok eltávolításakor és a gép szervizelésekor győződjön meg arról, hogy minden főkapcsoló ki van-e kapcsolva, és a tápkábel le van-e választva.** A gép váratlan, a beakadt anyagok eltávolítása vagy a szervizelés során történő bekapcsolódása súlyos személyi sérüléshez vezethet.
- **A gépet kikapcsolt állapotban, a testétől távol tartva hordozza.** A gép megfelelő kezelése csökkenti annak valószínűségét, hogy véletlenül érintkezzen a mozgó vágófejjel, damillal vagy pengével.
- **A gép szállításkor vagy tároláskor mindig szerelje fel a fedőelemet a fémpengékre.** A gép helyes kezelésével csökkenthető a mozgásban lévő kés véletlen érintésének valószínűsége.
- **Csak a gyártó által meghatározott csere vágófejet, damilt és kést használjon.** A nem megfelelő cserealkatrészek növelhetik a törés és sérülés kockázatát.

## Egyéb általános biztonsági információk

- Kapcsolja ki a terméket, mielőtt másik helyre megy vele. Amikor más személynek adja át a terméket, vegye ki belőle az akkumulátort.
- Kizárólag abban az esetben tegye le a terméket, ha kikapcsolta azt és kivette belőle az akkumulátort. Ne hagyja felügyelet nélkül a bekapcsolt terméket.
- A vágóeszköz nem áll le azonnal a termék kikapcsolásakor.
- A termék használata előtt, illetve ütközés után ellenőrizze, hogy nem láthatók-e a terméken kopás vagy sérülés nyomai, és szükség esetén gondoskodjon a javításról.
- Ha működés közben valami beleakad a vágófelszerelésbe, állítsa le és kapcsolja ki a terméket. Győződjön meg arról, hogy a vágófelszerelés teljesen leállt-e. A termék és/vagy a vágóeszköz tisztítása, ellenőrzése vagy javítása előtt vegye ki az akkumulátort.
- Használat előtt ellenőrizze a terméket. Lásd: *Biztonsági eszközök a terméken 183. oldalon és Karbantartás 187. oldalon.* Ne használjon hibás terméket. Végezze el a jelen használati utasításban előírt ellenőrzési, karbantartási és szervizmunkákat.
- A hibás vágófelszerelés használata növelheti a balesetveszélyt.
- Ellenőrizze, nem piszkos-e a fogaskerék, és nincs-e rajta repedés. Kéfével tisztítsa meg a fogaskereket a fűtől és levelektől. Ha szükséges, viseljen kesztyűt.
- A szellőzőnyílásokat mindig tartsa szennyeződésmentesen.
- Ellenőrizze, teljesen fel van-e helyezve a damilfej a fűszegélynyíróra.
- A gép elindítása előtt az összes burkolatot, védőlemezt és fogantyút fel kell szerelni.
- Ellenőrizze, hogy a termék teljes mértékben működőképes állapotban van-e. Ellenőrizze, hogy az anyák és csavarok szorosan meg vannak-e húzva.
- Ellenőrizze, hogy a damilfej és a damilfej-védőburkolat sértetlen-e, és hogy nincsenek-e rajtuk repedések. Cserélje ki a damilfejet és a trimmervédőt, ha azok útésnek lettek kitéve, vagy ha repedések vannak rajtuk. Mindig a vágófelszereléshez javasolt pengevédőt használja. Lásd: *Tartozékok 190. oldalon.*
- Ez a termék veszélyes szerszám, ha nem körültekintően járnak el a használata során, vagy nem megfelelőképpen használják. A gép a kezelő és mások súlyos sérülését és halálát is okozhatja.

- A készüléket csökkent fizikai, érzékelési vagy mentális képességekkel rendelkező, illetve a szükséges tapasztalattal és tudással nem rendelkező személy (beleértve a gyermekeket is) csak akkor használhatja, ha a biztonságukért felelős személy felügyeli őket vagy útmutatót nyújt számukra. Biztosítsa, hogy a gyermekek ne játszanak a készülékkel.
- Soha ne engedje, hogy gyermekek használják a gépet, vagy a gép közelében tartózkodjanak. Mivel a gép könnyen indul, szigorú felügyelet nélkül a gyermekek könnyen beindíthatják. Ez súlyos személyi sérüléshez vezethet. Ezért mindig válassza le az akkumulátort, ha nem tud folyamatosan felügyelni a gépre.
- Soha ne engedje, hogy gyermek vagy a termék használatában nem jártas személy használja vagy szervizelje a terméket, illetve az akkumulátort.
- A berendezést zárható helyen tartsa, hogy ne kerülhessen gyermekek vagy illetéktelen személyek kezébe.
- A kezét és lábát mindig tartsa távol a vágási területtől, különösen a motor bekapcsolásakor.
- Se a kezével, se a lábával ne érjen a vágófelszereléshez, amíg az teljesen le nem áll a termék kikapcsolását követően.
- Amíg a termék működésben van, vagy a vágószerkezet forog, ne távolítsa el és másoknak se engedje, hogy eltávolítsák a levágott anyagokat a termékről, mert ez súlyos sérüléseket okozhat.
- Ne feledje, hogy a kezelő, azaz Ön a felelős más személyek vagy azok tulajdonának sérüléseiről vagy veszélyeztetéséről.
- A termék eredeti kivitelezésén a gyártó cég engedélye nélkül semmilyen módosítást sem szabad végezni. Mindig eredeti tartozékokat használjon. Nem engedélyezett módosítások és/vagy pótalkatrészek komoly sérülésekhez vagy halálos balesetekhez vezethetnek. Előfordulhat, hogy a garancia nem terjed ki a nem engedélyezett tartozékok vagy cserealkatrészek használatából adódó károkra és felelősségre.
- A termékhez a Tartozékok című fejezetben javasolt vágófelszereléseken kívül semmilyen egyéb tartozék nem használható. Lásd: *Tartozékok 190. oldal*on.
- Soha ne használjon olyan terméket, amelynek eredeti konstrukcióján bármilyen módon is változtattak.
- Soha ne használjon olyan terméket, amely hibás. Végezze el az ebben a használati utasításban előírt ellenőrzési, karbantartási és szervizmunkálatokat. Bizonyos karbantartási és szervizmunkákat szakembernek kell végrehajtania. Lásd a Karbantartás című fejezetben leírtakat.
- A rossz időben végzett munka fárasztó, és gyakran kockázatokkal jár. Fokozott veszély miatt a gép használata rossz időjárási körülmények között, például sűrű ködben, intenzív esőzések, erős szélben, rendkívüli hidegben és villámáskor nem ajánlott.
- Csak akkor dolgozzon létrán, széken vagy más emelvényen, ha azt teljes mértékben rögzítette.
- Tárolja zárt térben a használaton kívüli terméket – Ha nem használja a terméket, tárolja helyesen.
- Lehetetlen az összes elképzelhető helyzetet ismertetni. Mindig megfontoltan és előrelátóan tevékenykedjen. Kerülje az olyan helyzeteket, amelyek saját megítélése szerint meghaladják a képességeit. Ha a jelen kézikönyv elolvasása után is bizonytalannak érzi magát az üzemeltetési eljárásokkal kapcsolatban, a folytatás előtt kérje ki egy szakértő véleményét.
- Ügyeljen arra, hogy a munka során se ember, se állat ne jöjjön 15 m-nél közelebb. Ha ugyanazon a munkaterületen többen is dolgoznak, a biztonsági távolságnak legalább 15 méternek kell lennie. Ellenkező esetben komoly személyi sérülések veszélye áll fenn. Ha valaki megközelíti Önt, azonnal állítsa le a terméket. Mielőtt megfordulna a termékkel, mindig ellenőrizze, hogy nem tartózkodik-e valaki a biztonsági zónán belül.
- Ügyeljen arra, sem emberek, sem állatok vagy egyéb tényezők ne befolyásolhassák az Ön uralmát a termék felett, illetve hogy a fent említettek ne kerülhessenek érintkezésbe a vágófelszereléssel vagy a szétszóródó tárgyakkal. Ne használja azonban a terméket olyan körülmények között, amelyeknél baleset esetén nem lenne lehetséges segítséget hívni.
- Bizonyosodjon meg arról, hogy biztonságosan tud járni és állni. Nézzon körül és ellenőrizze lehetséges akadályok (például gyökerek, kövek, gödrök, árkok stb.) jelenlétét arra az esetre, ha hirtelen el kellene mozdulnia. Legyen nagyon óvatos, amikor lejtős talajon dolgozik.
- Sétáljon, soha ne fusson.
- Ellenőrizze a munkaterületet. Távolítsa el minden mozdítható tárgyat, pl. köveket, üvegcserepeket, szögeket, fémdrótokat, zsinegeket, stb., amelyeket a vágófej vagy a vágófelszerelés felkaphat, vagy amelyek esetleg a felszerelésre csavarodhatnak.
- Ügyeljen az ágakon lévő gallyakra, amelyek vágás közben elrepülhetnek. Ne vágjon a talajhoz túl közel, mert az ott található kövek és egyéb tárgyak felpattanhatnak.
- Ügyeljen arra, hogy a termék működése közben a vágófelszereléshez ne érjen ruha vagy bármilyen testrész. A terméket tartsa derékmagasság alatt.
- Vigyázzon a felcsapódó tárgyaktól. Mindig elismert szemvédőt használjon. Soha ne hajoljon a vágófelszerelés védőburkolata fölé. Kő, szemét stb. kerülhet a szemébe, amely vakságot, illetve súlyos sérüléseket okozhat.
- Fülvédő viselése esetén mindig figyeljen a figyelmeztető jelzésekre és hangokra. A termék leállítása után azonnal vegye le a fülvédőket.
- Nemkívánatos rezgés esetén a rezgés megszüntetése érdekében ütéssel állítsa az új szálát megfelelő hosszúságúra.

- Ha a termék rendellenes vibrálásba kezd, állítsa le, és távolítsa el az akkumulátort.
- Az erős rezgés miatt a vérkeringési zavarokban szenvedő személyeknél ér- vagy idegsérülések léphetnek fel. Forduljon orvoshoz, ha olyan tüneteket tapasztal, amelyeket feltehetőleg az erős rezgés okozott. Ezek a tünetek többek között zsibbadás, érzéskiesés, bizsergés, szúró érzés, fájdalom, erőtlenység, a bőr színének vagy felületének megváltozása. A tünetek többnyire az ujjakban, a kézben vagy a csuklóban jelentkeznek.
- Mindig két kézzel tartsa a terméket. Tartsa a terméket teste jobb oldalán.

## Személyi védőfelszerelés



**FIGYELMEZTETÉS:** A termék használata előtt olvassa el az alábbi figyelmeztetéseket.

- A termék használata során viseljen jóváhagyott személyi védőfelszerelést. A személyi védőfelszerelés nem küszöböli ki teljes mértékben a sérülés kockázatát, de csökkenti a sérülés mértékét, ha bekövetkezik a baleset. A megfelelő felszerelés kiválasztásában kérje a kereskedő segítségét.
- Használjon védősisakot azokon a helyeken, ahol fennáll a veszélye annak, hogy tárgyak esnek a földre.
- Használjon elegendő hangtompító hatással rendelkező, jóváhagyott fülvédőt. Hosszú távon a tartós zajártalom maradandó halláskárosodást okozhat.
- Használjon jóváhagyott védőszemüveget. Ha arcvédőt használ, jóváhagyott védőszemüveget is kell viselnie. Jóváhagyott védőszemüvegek azok, amelyek megfelelnek az ANSI Z87.1 (USA), illetve EN 166 (EU-országok) szabványoknak.
- Az arcvédelem érdekében használjon arcvédőt. Az arcvédő használata nem elegendő a szemek védelméhez.

(ábra 19)

- Ha szükséges, viseljen kesztyűt – például a vágóeszközök felhelyezésekor, ellenőrzésekor vagy tisztításakor.
- Viseljen stabil, csúszásgátló talppal ellátott csizmát.
- Viseljen sűrű szövésű anyagból készült ruházatot. Vastag, hosszú nadrágot és hosszú ujjú felsőrészt viseljen. Ne viseljen bő ruházatot, mert az beakadhat a gallyakba és a bokrok ágaiba. Ne viseljen ékszereket, rövidnadrágot, szandált, illetve ne legyen meztőláb. Igazítsa haját vállmagasság fölé.

(ábra 20)

- Tartson elsősegélykészletet a közelben.

(ábra 21)

## Biztonsági eszközök a terméken



**FIGYELMEZTETÉS:** A termék használata előtt olvassa el az alábbi figyelmeztetéseket.

Ez a fejezet a termék biztonsági funkcióit és rendeltetését, valamint a megfelelő üzemeltető biztosító ellenőrzések és karbantartási műveletek elvégzésének módját ismerteti. Tekintse át a fejléc alatt szereplő utasításokat, *Bevezető 177. oldal*on hogy megtudja, hol található ezek az alkatrészek a terméken.

A termék élettartama lecsökkenhet, a balesetveszély pedig megnövekedhet, ha a termék karbantartását nem megfelelően hajtják végre, illetve ha a szervizt és/vagy a javításokat nem szakszerűen végzik. Ha további információra van szüksége, vegye fel a kapcsolatot a legközelebbi szervizszolgáltatóval.



**FIGYELMEZTETÉS:** Soha

ne használja a terméket sérült biztonsági felszerelésekkel. A termék biztonsági felszerelésének ellenőrzését és a karbantartási munkákat a jelen fejezetben leírtak szerint kell elvégezni. Ha az Ön terméke nem felel meg az alábbi vizsgálatok valamelyikénél, forduljon szervizműhelyéhez.



**VIGYÁZAT:** A gép szervizeléséhez és javításához speciális szakmai kiképzésre van szükség. Ez különösen érvényes a gép biztonsági felszereléseire. Ha az Ön gépe nem felel meg az alábbi vizsgálatok valamelyikénél, akkor forduljon szervizműhelyéhez. Bármely termékünk megvásárlásakor garantáljuk a szakképzett javítást és szervizelést. Ha a gépet nem szervizműhellyel rendelkező szakterekeskedőtől vásárolta, akkor kérje el tőle a legközelebbi szervizműhely címét.

## A felhasználói felület ellenőrzése

1. Nyomja le és tartsa lenyomva az indító-/leállítógombot (A).
  - a) Ha a kijelző (B) világitani kezd, a termék be van kapcsolva. (ábra 22)
  - b) Ha a kijelző nem világít, a termék ki van kapcsolva.
2. Ha a kijelzőn lévő figyelmeztetésjelző világít vagy villog, lásd: *Felhasználói felület 188. oldal*on.

## A kapcsológomb reteszének ellenőrzése

A kapcsológomb retesze úgy van kialakítva, hogy megakadályozza a gomb véletlen megnyomását. Amikor előrenyomja a kapcsológomb reteszt (A), majd a reteszt a fogantyúhoz (B) nyomja, a kapcsológomb (C)

kioldódik. Amikor elengedi a fogantyút, a kapcsológomb és annak retesze egyaránt visszaáll az eredeti állásába. Erről három egymástól független rugó gondoskodik. (ábra 23)

1. Ellenőrizze, hogy a kapcsológomb reteszelt-e, amikor a retesze az eredeti helyzetében van. (ábra 24)
2. Nyomja le a kapcsológomb reteszt, és győződjön meg arról, hogy az visszatér az eredeti állásába miután felengedi. (ábra 25)
3. Győződjön meg arról, hogy a kapcsológomb és a kapcsológomb retesze akadálymentesen mozog-e, valamint hogy a visszatérítő rugó megfelelően működik-e.
4. Indítsa el a terméket; tekintse át a következőt: *A termék elindítása 186. oldalon.*
5. Adjon teljes gázt.
6. Engedje el a kapcsológombot, és győződjön meg arról, hogy a vágófelszerelés megállt és mozdulatlan marad-e.

## A vágófelszerelés védőburkolatának ellenőrzése



**FIGYELMEZTETÉS:** Ne használja a vágófelszerelést jóváhagyott és megfelelően felhelyezett védőburkolat nélkül. Mindig az éppen használt vágófelszereléshez ajánlott védőburkolatot használja, lásd: *Tartozékok 190. oldalon.* A nem megfelelő vagy meghibásodott védőburkolat használata komoly személyi sérülést idézhet elő.

A vágófelszerelés védőburkolata megakadályozza, hogy az elszabadult tárgyak elérjék a kezelőt. Emellett megvédi a sérülésektől a vágófelszerelés megérintése esetén is.

1. Állítsa le a terméket, és távolítsa el az akkumulátort.
2. Keressen sérüléseket, például repedéseket. (ábra 26)
3. Ha a vágófelszerelés védőburkolata sérült, cserélje ki.

## Damilfej

- Mindig a megfelelő damilfejet és vágófelszerelést, illetve az ajánlott vágódamilt használja. Lásd: *Tartozékok 190. oldalon* és összeszerelés a kézikönyv végén.
- A trimmervédőn lévő vágófejnek sérülésmentesnek kell lennie.
- A termékben létrejövő szokatlan rezgések elkerülése érdekében ügyeljen arra, hogy a damil legyen mindig szorosan és egyenletesen a dobra tekerve. A különböző hosszúságú damilok felesleges rezgést eredményezhetnek. Koppintson a nyírőfejre a megfelelő szálhossz beállításához.

A damil élettartama növelhető, ha a felszerelés előtt legalább 2 napig vízben áztatjuk. Ez ellenállóbbá teszi a damilt.

## Biztonsági utasítások az összeszereléshez



**FIGYELMEZTETÉS:** A termék használata előtt figyelmesen olvassa el, majd tartsa is be ezeket az utasításokat.

- A termék összeszerelése előtt vegye ki az akkumulátort a készülékből.
- Használjon jóváhagyott védőkesztyűt.
- A sérült vagy nem megfelelően működő védőburkolat sérülést okozhat. Ne használjon vágófelszerelést jóváhagyott védőburkolat csatlakoztatása nélkül.
- A termék beindítása előtt ellenőrizze, hogy megfelelően összeszerelte-e a fedelet és a nyelet.
- A hajtótárcsának és a támkarimának megfelelően rögzülnie kell a vágófelszerelés középponti nyílásában. A nem megfelelően csatlakoztatott vágófelszerelés sérülést és halált okozhat.
- Ha a vágófelszereléshez heveder is tartozik, ügyeljen arra, hogy a hevedert megfelelően rögzítse a termékhez. A heveder gondoskodik a biztonságos működtetésről, valamint megakadályozza a kezelő vagy más személyek sérülését.

## Biztonsági utasítások a karbantartáshoz



**FIGYELMEZTETÉS:** A terméken végzett karbantartási műveletek előtt olvassa el az alábbi figyelmeztetéseket.

- Karbantartás, egyéb ellenőrzések vagy a termék összeszerelése előtt távolítsa el az akkumulátort.
- A kezelő kizárólag a jelen használati utasításban szereplő karbantartási és szervizmunkákat végezheti el. A szélesebb körű karbantartási és szervizmunkákkal kapcsolatban forduljon a szakszervizhez.
- Soha ne tisztítsa vízzel az akkumulátort vagy az akkumulátortöltőt. Az erős tisztítószerek kárt tehetnek a műanyagban.
- A karbantartási műveletek elmulasztása csökkenti a termék élettartamát, illetve növeli a balesetveszélyt.
- A gépen végzett minden szerviz- és javítási munkát szakképzettséget igényel, különös tekintettel a biztonsági eszközökre. Amennyiben a karbantartást követően nem minden, a használati utasításban leírt ellenőrzési művelet jóváhagyott, forduljon a szakszervizhez. Garantáljuk a termékéhez megfelelő, professzionális javítást és szervizelést.



- Kizárólag eredeti pótalkatrészeket használjon.

- A vágófelszerelés javítása során mindig viseljen strapabíró védőkesztyűt. A kések nagyon élesek, és könnyen sérülést okozhatnak.

---

## Összeszerelés

---

### A hurokfogantyú összeszerelése

1. Szerelje fel a hurokfogantyút a nyélen látható nyíljelzések közé. Ne helyezze a hurokfogantyút vagy a függesztőkarikát a címkére. (ábra 27)
2. Tolja a távtartót a hurokfogantyú nyílásába.
3. Rögzítse a csavaranyát, a gombot és a csavart, de ne húzza túl szorosra.
4. Állítsa a terméket kényelmes helyzetbe.
5. Húzza meg a csavart.

### A vágószerkezet összeszerelése

A vágószerkezet a vágófelszerelésből és a vágófelszerelés védőburkolatából áll.



**FIGYELMEZTETÉS:** Használjon védőkesztyűt.



**FIGYELMEZTETÉS:** Mindig a vágófelszereléshez ajánlott védőburkolatot használja. Lásd: *Műszaki adatok 189. oldalon.*



**FIGYELMEZTETÉS:**  
A vágófelszerelés helytelenül felszerelt védőburkolata sérülést és halált okozhat.

### A vágófelszerelés védőburkolatának felszerelése ()

1. Rögzítse a vágófelszerelés védőburkolatát (A) a lemeztartón lévő horogra (B). (ábra 28)
2. Szerelje fel a vágófelszerelés védőburkolatát a tengelyre, majd szorítsa meg a csavarral (C).

### A vágófelszerelés védőburkolatának eltávolítása ()

- Lazítsa meg a csavart (C), és távolítsa el a vágószerkezet védőburkolatát (A) a tengelyről. (ábra 29)

### A nyírófejek összeszerelése



#### FIGYELMEZTETÉS:

A vágófelszerelés összeszerelésénél nagyon fontos, hogy a hajtótárcsa/ támkarima domború része helyesen illeszkedjen a vágófelszerelés középponti nyílásába. Ha helytelenül szereli fel a vágófelszerelést, az súlyos és/vagy halálos személyi sérüléshez vezethet.



#### FIGYELMEZTETÉS:

Vágófelszerelést jóváhagyott védelem nélkül semmilyen körülmények között ne használjon. Lásd: *Tartozékok 190. oldalon.* Ha nem megfelelő vagy hibás védelem van felszerelve, az súlyos személyi sérüléshez vezethet.

### A damilfej felszerelése

1. Szerelje a hajtótárcsát (B) a kimenőtengelyre.
2. Forgassa a kimenőtengelyt addig, amíg a hajtótárcsán lévő lyukak egyike egy vonalba nem kerül a hajtóműházon lévő megfelelő lyukkal.
3. Helyezze be a rögzítőcsapot (C) a nyílásba a nyél rögzítéséhez.
4. A felszereléshez fordítsa a damilfejet (H) balra. (ábra 30)

### A damilfej eltávolítása

1. Helyezze be a rögzítőcsapot (C) a nyílásba a nyél rögzítéséhez.
2. Az eltávolításhoz fordítsa el a damilfejet (H) jobbra.
3. Szerelje le a hajtótárcsát (B) a kimenőtengelyről. (ábra 30)

---

## Üzemeltetés

---

### Bevezető



**FIGYELMEZTETÉS:** A termék használata előtt figyelmesen olvassa el a biztonságról szóló fejezetet.

## Az akkumulátor csatlakoztatása a termékhez



**FIGYELMEZTETÉS:** Kizárólag eredeti Husqvarna akkumulátorokat használjon a termékkel.

1. Ellenőrizze, hogy az akkumulátor teljesen fel van-e töltve.
2. Nyomja az akkumulátort a terméken található akkumulátortartóba. Az akkumulátor egy kattánás kíséretében a helyére kattán. (ábra 31)



**VIGYÁZAT:** Ha az akkumulátor nem megy bele könnyen az akkumulátortartóba, akkor az akkumulátor nem megfelelően van behelyezve. Ezzel kárt tehet a termékben.

3. Ügyeljen arra, hogy az akkumulátor megfelelően legyen behelyezve.

## Munkapozíció

- Tartsa a terméket két kézzel.
- Tartsa a terméket teste jobb oldalán.
- Tartsa a vágófelszerelést csípőszint alatt.
- Tartsa távol testrészeit a forró felületektől.
- Tartsa távol testrészeit a vágófelszereléstől.

## A termék működtetése előtt

- Ellenőrizze a munkaterületet; mérje fel a terep jellegét, a talaj lejtését, valamint keressen esetleges akadályokat, például köveket, ágakat, gödröket.
- Végezzen átfogó ellenőrzést a terméken.
- Végezze el a használati utasításban közölt biztonsági ellenőrzéseket, valamint karbantartási és szervizelési feladatokat.
- Győződjön meg arról, hogy minden fedőelem, burkolat, fogantyú és vágószerkezet megfelelően rögzítve van és sérülésmentes.
- Keressen repedéseket a támkarimán. Ha a támkarima sérült, cserélje ki.

(ábra 32)

- Nézze meg, van-e sérülés, repedés a damilfejen és a vágófelszerelés védőburkolatán. Ha a damilfej vagy a vágófelszerelés védőburkolata sérült vagy repedt, cserélje ki.

(ábra 33)

## A termék elindítása

1. Tartsa lenyomva az indítógombot, amíg a zöld LED világítani nem kezd. (ábra 34)
2. A fordulatszámot a kapcsológombbal szabályozhatja.

## A maximális fordulatszám korlátozása az üzemmód gombbal

A termék el van látva egy üzemmód gombbal. Az üzemmód gombbal a kezelő korlátozhatja a maximális fordulatszámot. Az üzemmód gomb 3 sebességfokozattal rendelkezik. Az alacsonyabb fokozatok használata esetén a termék élettartama megnő. Az 1. és a 2. fokozatot akkor használja, ha a művelethez nem szükséges a maximális fordulatszám/ teljesítmény. Ha az üzemeltetési körülmények teljes fordulatszámot/ teljesítményt igényelnek, használja a 3. fokozatot. Ne használjon a művelethez szükségesnél magasabb fokozatot.

1. Nyomja meg az üzemmód gombot a maximális fordulatszám beállításához. A funkció bekapcsolásakor a fehér LED világítani kezd. (ábra 35)
2. A következő sebességfokozat kiválasztásához nyomja meg ismét az üzemmód gombot.

## Automatikus leállítás funkció

A termék automatikus leállítás funkcióval rendelkezik, amely kikapcsolja a terméket, amikor az nincs használatban.

## Fűnyírás a szegélyvágó fej használatával

### Fűszegélynyírás

1. Tartsa a vágófejet közvetlenül a talajszint felett ferdén. (ábra 36) Ne nyomja bele a fűvágó damilt a fűbe.
2. Csak 80%-os fordulatszámon dolgozzon, amikor akadályok közelében végez fűnyírást. (ábra 37)

### Fűnyírás

1. A fűvágó damilja kaszaláskor legyen párhuzamos a talajjal. (ábra 38)
2. Ne nyomja le a talajra a vágófejet. A talaj és a termék is károsodhat.
3. Ne hagyja, hogy a damilfej folyamatosan a talajhoz érjen, mert az károsodhat.
4. A kaszáló mozgásokat teljes fordulatszámon végezze. (ábra 39) A fűvágó damilja legyen párhuzamos a talajjal.

### A fű seprése

A forgó vágózsínór légáramlatával eltávolíthatja a levágott fűvet a munkaterületről.

1. Tartsa a szegélyvágó fejet és annak zsinórját a talaj felett, arra párhuzamosan.
2. Adjon teljes gázt.
3. A szegélyvágó fejet oldalról oldalra mozgatva seperje a fűvet.



**FIGYELMEZTETÉS:** Minden alkalommal tisztítsa meg a szegélyvágó fej borítását, mikor új vágószinórt helyez fel, hogy egyensúlyt biztosíthasson és elkerülhesse a markolat vibrálását. Ellenőrizze és szükség esetén tisztítsa meg a szegélyvágó fej egyéb elemeit is.

## A termék leállítása

1. Engedje el a kapcsológombot vagy a kapcsológomb reteszét.
2. Nyomja meg a leállítás gombot. (ábra 34)
3. Nyomja le az akkumulátor kioldógombjait, és húzza ki az akkumulátort. (ábra 40)

## Karbantartás

### Bevezető



**FIGYELMEZTETÉS:** Karbantartási munkák előtt el kell olvasnia és meg kell értenie a biztonságról szóló fejezetet.



**FIGYELMEZTETÉS:** Karbantartási munkák előtt távolítsa el az akkumulátort.

Alább következik egy lista a termék karbantartásával kapcsolatos lépésekről.

Karbantartás	Naponta	Hetente	Havi
Tisztítsa meg a gép külső részeit egy száraz törülközővel. Ne használjon vizet.	X		
Ellenőrizze, hogy az indító- és leállító gomb megfelelően működik és sértetlen-e.	X		
Ellenőrizze, hogy biztonsági szempontból megfelelő-e a kapcsológomb és a kapcsológomb reteszének működése.	X		
Ellenőrizze, hogy az összes vezérlő működik és sértetlen-e.	X		
A fogantyúkat tartsa szárazon, tisztán, olaj- és zsírmentesen.	X		
Ellenőrizze, hogy a vágófelszerelés sértetlen-e. Ha a vágófelszerelés sérült, cserélje ki.	X		
Ellenőrizze, hogy a vágófelszerelés védőburkolata vagy a kés sértetlen-e. Ha a vágófelszerelés védőburkolata vagy a kés sérült, cserélje ki.	X		
Ellenőrizze, hogy a csavarok és anyák szorosan rögzülnek-e.	X		
Ellenőrizze, hogy az akkumulátor kioldógombjai működnek-e, és rögzítik-e az akkumulátort a termékben.	X		
Ellenőrizze, hogy az akkumulátor sértetlen-e.	X		
Ellenőrizze, hogy az akkumulátor fel van töltve.	X		
Ellenőrizze, hogy az akkumulátortöltő sértetlen-e, és megfelelően működik.	X		
Ellenőrizze az összes kábelt, csatlakozót és csatlakozást. Győződjön meg arról, hogy sértetlenek és szennyeződésmentesek-e.		X	
Ellenőrizze, hogy a szöghajtás megfelelően fel van-e töltve zsírral, lásd: <i>A szöghajtás kenése 188. oldalon</i> . Ha nincs, használjon Husqvarna szöghajtászsírt.		X	
Végezze el az akkumulátor és a termék közötti csatlakozások ellenőrzését. Végezze el az akkumulátor és az akkumulátortöltő közötti csatlakozás ellenőrzését.			X

## A termék, az akkumulátor és az akkumulátortöltő tisztítása

1. Használat után tisztítsa meg a terméket egy száraz ruhával.
2. Tisztítsa meg az akkumulátort és az akkumulátortöltőt egy száraz ruhával. Tartsa tisztán az akkumulátorvezető síneket.
3. Mielőtt a töltőkészülékbe vagy a termékbe helyezné az akkumulátort, gondoskodjon az akkumulátor és a töltő érintkezőinek tisztaságáról.

## A szöghajtás kenése

1. Távolítsa el a vágószerkezetet.
2. Helyezze el úgy a terméket, hogy a zsírzódugó a legmagasabb pozícióban legyen.

3. Távolítsa el a zsírzódugót. (ábra 41)
4. Nézzon be a zsírzódugó nyílásába, és forgassa el a hajtótengelyt. A zsír szintjének (A) egy szintben kell lennie a fogaskerekek felső szélével (B). (ábra 42)
5. Ha a zsírszint túl alacsony, töltsen fel a szöghajtást Husqvarna szöghajtászsírral. A töltést végezze lassan, és forgassa a hajtótengelyt a szöghajtászsír betöltése közben, majd álljon meg a megfelelő szintnél (B).



**VIGYÁZAT:** A nem megfelelő mennyiségű zsír károsíthatja a szöghajtást.

6. Helyezze fel a zsírzódugót.

## Hibaelhárítás

### Felhasználói felület

Probléma	Lehetséges hibák	Lehetséges megoldás
A LED-es akkumulátorjelző narancssárgán villog	Alacsony akkumulátorfeszültség.	Töltsen fel az akkumulátort.
A hibajelző LED pirosan villog	Túlterhelés.	Megakadt a vágófelszerelés. Állítsa le a terméket. Vegye ki az akkumulátort. Tisztítsa meg a vágófelszerelést a nemkívánatos anyagoktól.
	Hőmérséklet-ingadozás.	Várja meg, míg a termék lehül.
	A kapcsológombot és az aktiválógombot ugyanakkor kell megnyomni.	Engedje el a kapcsológombot, és a termék aktiválódik.
A termék nem indul	Piszok került az akkumulátor-csatlakozókba.	Tisztítsa meg az akkumulátorcsatlakozókat sűrített levegő vagy egy puha kefe segítségével.
Pirosan világít a hibajelző LED	A terméket szervizelni kell.	Forduljon a szervizműhelyhez.

## Szállítás, tárolás és ártalmatlanítás

### Szállítás és raktározás

- A mellékelt lítium-ion akkumulátorokra a veszélyes anyagokra vonatkozó jogszabályok követelményei érvényesek.
- Kereskedelmi szállításnál – harmadik fél és szállítmányozó cégek esetén is – a csomagolásra és címkézésre vonatkozó speciális előírásokat be kell tartani.
- A termék elküldése előtt forduljon egy veszélyes anyagok tekintetében szakképzett személyhez. Tartsa be az összes vonatkozó nemzeti előírást.
- Ha az akkumulátort becsomagolja, a szabadon álló érintkezőket le kell fedni ragasztószalaggal. Szorosan csomagolja be az akkumulátort, hogy az ne mozdulhasson el a csomagoláson belül.
- Tároláshoz vagy szállításhoz távolítsa el az akkumulátort.

- Helyezze az akkumulátort és az akkumulátortöltőt száraz, nedvesség- és fagymentes helyre.
- Ne tartsa az akkumulátort olyan helyen, ahol elektrosztatikus töltés lehet jelen. Ne tartsa az akkumulátort fém dobozban.
- Helyezze az akkumulátort közvetlen napfénytől védett helyre, ahol a hőmérséklet 5 °C (41 °F) és 25 °C (77 °F) között van.
- Helyezze az akkumulátortöltőt közvetlen napfénytől védett helyre, ahol a hőmérséklet 5 °C (41 °F) és 45 °C (113 °F) között van.
- Az akkumulátortöltőt csak 5 °C (41 °F) és 40 °C (104 °F) közötti környezeti hőmérséklet mellett használja.
- Hosszú ideig való tárolás előtt tölts fel az akkumulátort 30–50%-ra.
- Az akkumulátortöltőt száraz, zárt helyen tárolja.
- A tárolás során tartsa távol az akkumulátort az akkumulátortöltőtől. Ügyeljen arra, hogy gyermekek és más jogosulatlan személyek ne érhessenek a berendezéshez. A berendezést kulccsal zárható helyen tárolja.

- A hosszú ideig való tárolás előtt tisztítsa meg a terméket, és végezze el annak teljes karbantartását.
- A sérülések és a termék károsodásának elkerülése érdekében szállításkor és tároláskor használja a terméken található szállítási biztosítószervezetet.
- Szállításkor rögzítse biztosan a terméket.

## Az akkumulátor, az akkumulátortöltő és a termék ártalmatlanítása

A terméken vagy annak csomagolásán található szimbólumok azt jelzik, hogy a termék nem minősül háztartási hulladéknak. Újrahasznosítását egy elektromos és elektronikus berendezések újrahasznosítására szolgáló ponton kell elvégezni. Ez elősegíti a környezetre és a személyekre gyakorolt káros hatások megelőzését.

A termék újrahasznosításával kapcsolatos további információkért forduljon a helyi hatóságokhoz, hulladékártalmatlanítási szolgáltatást végző vállalkozáshoz vagy kereskedőjéhez.

## Műszaki adatok

### Műszaki adatok

	<b>325iL</b>
<b>Motor</b>	
Motortípus	BLDC (szénkefe nélküli) 36 V
Kimenőtengely fordulatszáma, ford/perc	5800
Vágószélesség, mm	420
<b>Tömeg</b>	
Tömeg akkumulátor és vágófelszerelés nélkül, kg	3,0
<b>Zajkibocsátás</b> <sup>34</sup>	
Hangteljesítményszint, mért dB (A) érték	93
Hangteljesítményszint, garantált, L <sub>WA</sub> dB (A)	96
<b>Zajszintek</b> <sup>35</sup>	
A kezelő hallószervére gyakorolt, ISO 22868 szerint mért hangnyomásszint, dB (A):	

<sup>34</sup> A környezetben a 2000/14/EK sz. EK irányelvvel összhangban hangteljesítményként mért zajkibocsátás (L<sub>WA</sub>). A gép jelentésben szereplő hangteljesítményszintjét a legmagasabb szintet produkáló eredeti vágófelszereléssel mérték. A garantált és a mért hangteljesítmény közötti különbségnek az az oka, hogy a garantált hangteljesítmény tartalmazza a mérési eredményben lévő ingadozást és az azonos modellű gépek közti eltéréseket is a 2000/14/EK jelű irányelv értelmében.

<sup>35</sup> A gép hangnyomásszintjére vonatkozó jelentési adatok a 3 dB (A) tipikus statisztikus ingadozásával (szórásával) rendelkeznek. A hangnyomásszint mérése a legmagasabb szintet produkáló eredeti felszereléssel történt.

	<b>325iL</b>
Damilfejjel ellátva (eredeti)	84
<b>Rezgésszintek</b> <sup>36</sup>	
Az ISO 22867 szerint mért rezgésszintek a fogantyúban, m/s <sup>2</sup>	
Damilfejjel ellátva (eredeti), elülső/hátsó, m/s <sup>2</sup>	4,3/2,9

## Jóváhagyott akkumulátorok

<b>Akkumulátor</b>	<b>BLI 200</b>
Típus	Lítium-ion
Akkumulátor kapacitása, Ah	5,2
Névleges feszültség, V	36
Tömeg, kg (font)	1,3 (2,9)

## Jóváhagyott akkumulátortöltők

<b>Akkumulátortöltő</b>	<b>QC330</b>
Bemeneti feszültség, V	100-240
Frekvencia, Hz	50-60
Teljesítmény, W	330

---

## Tartozékok

---

### Tartozékok

<b>Eredeti tartozékok</b>	<b>Kiegészítő típusa</b>	<b>Vágófelszerelés védőburkolata, cikksz.</b>
Pengék/kések központi furata, Ø 25,4 mm		
Csavarmentet pengetengely: M10		
Damilfej	T35 (Whisper csavart vágódamil, maximum Ø 2,4 mm)	597 01 62-02

<sup>36</sup> A rezgésszintre vonatkozó jelentési adatok 2 m/s<sup>2</sup> tipikus statisztikus ingadozással (szórással) rendelkeznek. A rezgésszintek, valamint az akkumulátorral, illetve az üzemanyaggal működő termékek összehasonlításához használja a rezgésterhelési kalkulátort. <https://www.husqvarna.com/uk/services-solutions/vibration-calculator/>.

# Megfelelőségi nyilatkozat

## EU megfelelési nyilatkozat

A **Husqvarna AB**, SE-561 82 Huskvarna, Sweden (tel.: +46-36-146500), a saját felelősségére kijelenti, hogy a termék:

<b>Leírás</b>	Akkumulátoros működtetésű fűszegélyvágó
<b>Márka</b>	Husqvarna
<b>Típus/modell</b>	325iL
<b>Megjelölés</b>	2023-as és újabb sorozatszámok

teljes mértékben megfelelnek a következő EU-irányelveknek és szabályozásoknak:

<b>Irányelv/rendelet</b>	<b>Leírás</b>
2006/42/EK	„gépre vonatkozó”
2014/30/EMC	„elektromágneses megfelelésre vonatkozó”
2011/65/EU	„veszélyes anyagok alkalmazásának korlátozására vonatkozó”
2000/14/EK	„kültéri zajkibocsátásra vonatkozó”

valamint hogy az alábbi szabványok és/vagy műszaki előírások kerültek alkalmazásra: EN 62841-1-1:2015/AC:2015, EN 62841-4-4 (IEC 62841-4-4:2020), EN 61000-6-1:2007 (Immunity), EN 61000-6-3:2007/A1:2011/AC:2012 (Emission).



A RISE SMP Svensk Maskinprovning AB, Box 4053, SE-904 03 Umeå, Sweden önkéntes típusvizsgálatot végzett a 2006/42/EK irányelv IX. melléklete szerint. A tanúsítvány száma: SEC/23/2579.

A Notified body: 0404, RISE SMP Svensk Maskinprovning AB, Box 4053, SE-904 03 Umeå, Sweden szintén igazolta a 2000/14/EK irányelve VI. függelékének való megfelelést.

A zajkibocsátásra vonatkozó tájékoztatást illetően tekintse át a következőt: *Műszaki adatok 189. oldalon.*

Huskvarna, 2022-12-01

Stefan Holmberg, K+F igazgató, Technológiai menedzsment, Husqvarna AB

A műszaki dokumentációk felelőse

---

## Sommario

---

Introduzione.....	192	Trasporto, stoccaggio e smaltimento.....	203
Sicurezza.....	193	Dati tecnici.....	204
Montaggio.....	200	Accessori.....	205
Utilizzo.....	200	Dichiarazione di conformità.....	206
Manutenzione.....	202	Appendice .....	447
Ricerca guasti.....	203		

---

## Introduzione

---

### Descrizione del prodotto

Husqvarna 325iL è un trimmer a batteria con un motorino elettrico.

Il lavoro è in costante evoluzione per aumentare sicurezza ed efficienza durante le attività. Rivolgersi al centro di assistenza per maggiori informazioni.

### Uso previsto

Usare il prodotto con una testina portafilo per tagliare diversi tipi di vegetazione. Non utilizzare il prodotto

### Panoramica del prodotto

(Fig. 1)

1. Manuale dell'operatore
2. Riduttore angolare
3. Foro per la spina di bloccaggio
4. Testina portafilo
5. Protezione del gruppo di taglio
6. Menabrida
7. Chiave universale
8. Impugnatura ad anello
9. Manopola
10. Albero
11. Spina di bloccaggio
12. Spia di avvertenza LED
13. Pulsante start/stop
14. Pulsante modalità velocità
15. Fermo della leva di comando
16. Interfaccia utente
17. Leva di comando
18. Cavo del caricabatterie
19. Caricabatterie
20. LED di accensione e avvertimento
21. Pulsanti per il rilascio della batteria
22. Batteria
23. Indicatore LED per lo stato di carica
24. LED di avvertimento
25. Pulsante indicatore dello stato della batteria

per altre operazioni diverse dalla bordatura e dallo sfoltimento dell'erba.

**Nota:** La normativa nazionale o locale può regolarnel'utilizzo. Assicurare la conformità alla normativa in vigore.

Utilizzare il prodotto solo con gli accessori approvati dal costruttore. Vedere *Accessori alla pagina 205*.

### Simboli riportati sul prodotto

- (Fig. 2) **AVVERTENZA!** Questo prodotto può essere pericoloso! L'uso improprio del mezzo può provocare lesioni anche mortali all'operatore o a terzi. È estremamente importante leggere e comprendere il contenuto di questo manuale operatore. Prima di usare il prodotto, leggere attentamente il Manuale dell'operatore e accertarsi di averne compreso il contenuto.
- (Fig. 3) Usare cuffie protettive omologate. Utilizzare protezioni per gli occhi omologate.
- (Fig. 4) Velocità massima o velocità senza carico.
- XXXX /min o  
min<sup>-1</sup> | Giri o rotazioni al minuto.
- (Fig. 5) Tensione nominale, V
- (Fig. 6) Corrente diretta.
- (Fig. 7) Il prodotto è conforme alle direttive CE vigenti.
-



- (Fig. 8) Il presente prodotto è conforme alle direttive del Regno Unito vigenti.
- (Fig. 9) Utilizzare guanti protettivi omologati.
- (Fig. 10) Utilizzare robusti stivali antiscivolo.
- (Fig. 11) Utilizzare esclusivamente un gruppo di taglio flessibile non metallico.
- (Fig. 12) I simboli riportati sul prodotto o sul relativo imballaggio indicano che il presente prodotto non può essere trattato come rifiuto domestico. Questo prodotto deve essere depositato in un apposito impianto di riciclaggio.
- (Fig. 13) L'accessorio può urtare violentemente oggetti che possono rimbalzare, causando seri danni agli occhi se non vengono usati i dispositivi di sicurezza consigliati.
- (Fig. 14) Scollegare la batteria prima di eseguire la manutenzione.
- (Fig. 15) Il prodotto è dotato di protezione contro gli spruzzi d'acqua.
- (Fig. 16) Tenere le parti del corpo lontano dalle superfici roventi.
- (Fig. 17) Emissioni di rumore nell'ambiente in conformità alle direttive e alle norme UE e UK e alla norma del Nuovo Galles del Sud in materia di protezione dell'ambiente "Protection of the Environment Operations (Noise Control) Regulation 2017". Il livello di potenza sonora garantito del prodotto è specificato in *Dati tecnici alla pagina 204*.

aaaassxxxx

La targhetta dati di funzionamento mostra il numero di serie. **yyyy** è l'anno di produzione, **ww** è la settimana di produzione e **xxxxx** è il numero sequenziale.

(Fig. 18)

L'operatore deve controllare che non vi siano persone o animali in un raggio di 15 metri. Anche più conducenti che lavorino contemporaneamente nello stesso luogo devono mantenere tra loro una distanza di sicurezza non inferiore a 15 metri.

**Nota:** I restanti simboli/decalcomanie sul prodotto riguardano particolari requisiti necessari per ottenere la certificazione in altre aree commerciali.

## Danni al prodotto

Non siamo responsabili dei danni al prodotto se:

- Il prodotto viene riparato in modo errato.
- Il prodotto viene riparato con parti che non provengono o non sono omologate dal produttore.
- Il prodotto contiene un accessorio che non proviene o non è omologato dal produttore.
- Il prodotto non viene riparato presso un centro di assistenza autorizzato o presso un'autorità competente.

## Sicurezza

### Definizioni di sicurezza

Le avvertenze, le precauzioni e le note sono utilizzate per evidenziare le parti importanti del manuale.



**AVVERTENZA:** Utilizzato se è presente un rischio di lesioni o morte dell'operatore o di passanti nel caso in cui le istruzioni del manuale non vengano rispettate.



**ATTENZIONE:** Utilizzato se è presente un rischio di danni al prodotto, ad altri materiali oppure alla zona adiacente nel caso in cui le istruzioni del manuale non vengano rispettate.

**Nota:** Utilizzato per fornire ulteriori informazioni necessarie in una determinata situazione.

### Avvertenze generali di sicurezza dell'elettrotensile



**AVVERTENZA:** Leggere tutte le avvertenze di sicurezza, le istruzioni, le illustrazioni e le specifiche fornite con questo elettrotensile. La mancata osservanza di tutte le istruzioni elencate di seguito può dare luogo a scosse elettriche, incendi e/o gravi lesioni.

- **Conservare tutte le avvertenze e le istruzioni per la futura consultazione.** Nelle avvertenze, il termine "elettrotensile" si riferisce al vostro utensile

alimentato tramite rete elettrica (con cavo) o a batteria (senza fili).

## Sicurezza dell'area di lavoro

- **Tenere l'area di lavoro pulita e ben illuminata.** Il disordine e le aree di lavoro non illuminate possono essere causa di incidenti.
- **Non mettere in funzione elettrotensili in ambienti esplosivi, quali quelli che comportano la presenza di liquidi infiammabili, gas o polvere.** Gli elettrotensili generano scintille che possono incendiare polveri o fumi.
- **Tenere lontani bambini e spettatori mentre si fa funzionare un elettrotensile.** Le distrazioni possono causare la perdita del controllo.

## Sicurezza elettrica

- **Le spine degli elettrotensili devono essere adatte alla presa. Evitare assolutamente di apportare modifiche alla spina. Non impiegare spine adattatrici assieme a elettrotensili con collegamento a terra.** Le spine non modificate e le prese adatte allo scopo riducono il rischio di scosse elettriche.
- **Evitare il contatto con superfici messe a massa o collegate a terra, come condutture, radiatori, stufe e frigoriferi.** Sussiste un maggior rischio di scosse elettriche nel momento in cui il corpo è messo a massa.
- **Non esporre gli elettrotensili a pioggia o umidità.** L'ingresso di acqua in un elettrotensile fa aumentare il rischio di scosse elettriche.
- **Non rovinare il cavo elettrico. Non usare mai il filo per trasportare, tirare o staccare dalla presa l'elettrotensile. Non avvicinare il cavo a fonti di calore, olio, spigoli taglienti e neppure a parti della macchina che siano in movimento.** I cavi danneggiati o attorcigliati fanno aumentare il rischio di scosse elettriche.
- **Per il funzionamento di un elettrotensile all'aperto, usare una prolunga adatta.** L'uso di un cavo di prolunga omologato per l'impiego all'aperto riduce il rischio di scosse elettriche.
- **Se l'impiego dell'elettrotensile in ambienti umidi è inevitabile, utilizzare un interruttore differenziale (salvavita) per proteggere il circuito di alimentazione.** L'utilizzo di un salvavita riduce il rischio di scosse elettriche.

## Sicurezza personale

- **Nell'uso di un elettrotensile, restare allerta, fare attenzione a ciò che si sta facendo e usare il buonsenso. Non usare un elettrotensile quando si è stanchi o sotto l'effetto di droga, alcol o farmaci.** Un attimo di disattenzione può causare lesioni personali gravi.
- **Usare sempre abbigliamento protettivo personale. Indossare sempre una protezione per gli occhi.** L'uso in condizioni adeguate dell'abbigliamento protettivo (come mascherina protettiva, calzature di sicurezza

antiscivolo, elmetto o cuffie protettive) riduce le lesioni personali.

- **Prevenire la messa in funzione accidentale. Accertarsi che l'interruttore sia in posizione OFF prima di effettuare il collegamento alla presa dell'alimentazione e/o alla batteria, di sollevare o trasportare l'attrezzo.** Il trasporto di elettrotensili tenendo le dita sull'interruttore o su attrezzi che producono corrente e il cui interruttore è acceso, può provocare incidenti.
- **Rimuovere qualunque chiave o strumento di regolazione prima di accendere l'elettrotensile.** Qualunque chiave o attrezzo lasciato attaccato a parti rotanti può causare danni alla persona.
- **Operare in sicurezza. Operare sempre facendo attenzione a posizionare bene i piedi e a mantenere l'equilibrio.** Ciò permette un migliore controllo dell'elettrotensile in situazioni inattese.
- **Vestirsi in maniera adeguata. Non indossare abiti troppo ampi o gioielli. Tenere capelli e indumenti lontani dalle parti in movimento.** Lasciati liberi, indumenti, gioielli o capelli lunghi possono restare impigliati nelle parti in movimento.
- **Qualora vengano forniti strumenti per il collegamento a strutture di estrazione e raccolta della polvere, accertarsi che queste siano collegate e usate in modo adeguato.** La raccolta della polvere può ridurre i rischi legati alla presenza di questo agente.
- **La familiarità e l'esperienza acquisite con il prodotto non devono far sottovalutare i rischi insiti nell'utilizzo dello stesso. Non ignorare le norme basilari di sicurezza dell'attrezzatura.** Un'azione incauta può provocare gravi danni in una frazione di secondo.

## Uso e cura dell'elettrotensile

- **Non forzare l'elettrotensile. Usare l'elettrotensile adatto all'applicazione.** L'elettrotensile giusto farà il lavoro meglio e in modo più sicuro se usato alla velocità per la quale è stato progettato.
- **Non usare l'elettrotensile se non è possibile accenderlo o spegnerlo tramite interruttore.** Qualunque elettrotensile che non possa essere controllato tramite interruttore è pericoloso e deve essere riparato.
- **Scollegare la spina dalla presa di corrente e/o rimuovere la batteria, se staccabile, prima di procedere a qualunque regolazione, cambio di accessori o alla conservazione degli elettrotensili.** Tali misure di sicurezza preventive riducono il rischio di avvio accidentale dell'elettrotensile.
- **Riporre gli elettrotensili fuori dalla portata dei bambini e non permettere l'uso dei suddetti a persone che non hanno familiarità con tali utensili e con queste istruzioni.** Nelle mani di persone inesperte, gli elettrotensili sono pericolosi.
- **Effettuare la manutenzione degli elettrotensili e degli accessori. Controllare che non si verifichi un errato allineamento o collegamento delle parti in movimento, la rottura di pezzi e qualsivoglia altra condizione che possa inficiare il funzionamento**

dell'elettrotensile. Qualora danneggiato, riparare l'elettrotensile prima dell'uso. Molti incidenti sono causati da elettrotensili con una manutenzione inadeguata.

- **Mantenere affilati e puliti gli strumenti da taglio.** Con una manutenzione adeguata, gli strumenti da taglio con bordi affilati risultano più facili da controllare e meno pericolosi.
- **Usare l'elettrotensile, gli accessori, le punte ecc. come indicato dalle presenti istruzioni, tenendo conto delle condizioni di lavoro e della prestazione da effettuare.** L'impiego di elettrotensili per usi diversi da quelli previsti può dar luogo a situazioni di pericolo.
- **Mantenere le impugnature e le superfici di presa asciutte, pulite e prive di olio e grasso.** Le impugnature e le superfici di presa scivolose non consentono una manipolazione e un controllo sicuri dell'utensile in situazioni impreviste.

## Utilizzo e manutenzione della batteria

- **Ricaricare l'attrezzo esclusivamente utilizzando il caricabatterie specificato dal produttore.** L'utilizzo di un caricabatterie indicato per un altro tipo di batteria potrebbe provocare rischio di incendio.
- **Utilizzare i dispositivi esclusivamente con le batterie specificate.** L'utilizzo di altri pacchi batteria potrebbe provocare lesioni e incendi.
- **Quando la batteria non viene utilizzata, tenerla lontana da altri oggetti metallici, come graffette, monete, chiavi, chiodi, viti o altri piccoli oggetti metallici che potrebbero consentire il collegamento tra i terminali.** Provocare il cortocircuito dei terminali della batteria potrebbe causare ustioni o provocare un incendio.
- **In condizioni non ottimali, la batteria potrebbe perdere liquido; evitare il contatto.** Qualora il contatto avvenisse, sciacquare la parte con acqua. **Se il liquido entra negli occhi, chiamare immediatamente un medico.** Il liquido fuoriuscito dalla batteria potrebbe causare irritazioni o ustioni.
- **Non usare batterie o utensili danneggiati o modificati.** Batterie danneggiate o modificate possono manifestare un comportamento imprevedibile, con rischio di incendi, esplosioni e lesioni.
- **Non esporre batterie o utensili a fiamme o temperature troppo elevate.** L'esposizione al fuoco o a una temperatura superiore a 130 °C / 266 °F può provocare esplosioni.
- **Seguire tutte le istruzioni per il caricamento della batteria e non caricare la batteria o l'utensile al di fuori dell'intervallo di temperatura indicato nelle istruzioni.** Ricaricare in modo inappropriato o a temperature che non rientrano nell'intervallo specificato può danneggiare la batteria e aumentare il rischio di incendio.

## Assistenza

- **Far riparare l'elettrotensile solo ed esclusivamente da personale specializzato utilizzando solo pezzi di ricambio originali.** Questo garantirà che sia salvaguardata la sicurezza dell'elettrotensile.
- **Non riparare mai le batterie danneggiate.** Gli interventi sulle batterie dovrebbe essere eseguito solo dal produttore o da centri assistenza autorizzati.

## Avvertenze di sicurezza del trimmer, del tagliaerba, del decespugliatore

- **Evitare di utilizzare la macchina in condizioni climatiche sfavorevoli, soprattutto quando vi è il rischio di fulmini.** Ciò riduce il rischio di essere colpiti da un fulmine.
- **Ispezionare attentamente l'area in cui la macchina deve essere utilizzata per verificare la presenza di fauna selvatica.** Durante l'utilizzo, la macchina potrebbe causare lesioni alla fauna selvatica.
- **Ispezionare attentamente l'area in cui la macchina deve essere utilizzata e rimuovere sassi, bastoncini, cavi, ossa e qualsiasi altro oggetto estraneo.** Gli oggetti che vengono scagliati possono provocare lesioni personali.
- **Prima di utilizzare la macchina, effettuare sempre un controllo visivo per verificare che il tagliente o la lama e il gruppo di taglio o della lama non siano danneggiati.** Le parti danneggiate aumentano il rischio di lesioni.
- **Attenersi alle istruzioni per la sostituzione degli accessori.** I dadi o i bulloni di fissaggio della lama serrati in modo errato possono danneggiare la lama o causarne il distacco.
- **La velocità nominale dei giri del tagliente deve essere almeno pari alla velocità massima dei giri indicata sulla macchina.** I taglienti che girano più velocemente rispetto alla velocità nominale possono danneggiarsi e staccarsi.
- **Indossare occhiali e protezioni per orecchie, testa e mani.** Indossando abbigliamento protettivo adeguato si riduce il rischio di lesioni personali causate da frammenti volanti o dal contatto accidentale con il filo di taglio o la lama.
- **Durante l'utilizzo della macchina indossare sempre calzature antiscivolo e protettive. Non utilizzare la macchina a piedi nudi o indossando sandali aperti.** Così facendo si riduce il rischio di lesioni ai piedi dovute al contatto con il tagliente, il filo o la lama in movimento.
- **Durante l'utilizzo della macchina, indossare sempre pantaloni lunghi.** La pelle esposta aumenta la probabilità di lesioni causate da oggetti proiettati.
- **Tenere lontani i presenti mentre si utilizza la macchina.** I detriti lanciati possono provocare gravi lesioni personali.
- **Utilizzare sempre entrambe le mani durante il funzionamento della macchina.** Mantenere la macchina con entrambe le mani consente di evitare di perderne il controllo.

- **Tenere la macchina esclusivamente tramite le apposite impugnature isolate poiché il filo o la lama potrebbero entrare in contatto con cavi nascosti.** Se il filo di taglio o le lame entrano in contatto con un cavo sotto tensione potrebbero eccitare eventuali parti di metallo esposte della macchina e provocare una scossa elettrica all'operatore.
- **Tenere sempre una corretta posizione dei piedi e azionare la macchina solo quando è stabile a terra.** Superfici scivolose e instabili possono causare la perdita dell'equilibrio o del controllo della macchina.
- **Non utilizzare la macchina su pendenze eccessivamente ripide.** Così facendo si riduce il rischio di perdita di controllo, scivolamento e caduta con conseguenti lesioni personali.
- **Quando si lavora su pendenze, assicurarsi sempre di avere una posizione stabile, lavorare sempre trasversalmente lungo le pendenze, mai guardando a monte o a valle e prestare la massima attenzione durante i cambi di direzione.** Così facendo si riduce il rischio di perdita di controllo, scivolamento e caduta con conseguenti lesioni personali.
- **Tenere tutte le parti del corpo lontane dal tagliente, dal filo o dalla lama quando la macchina è in funzione. Prima di avviare la macchina, assicurarsi che il tagliente, il filo o la lama non tocchino nulla.** Un momento di disattenzione durante l'utilizzo della macchina può provocare gravi lesioni personali o ad altri.
- **Non utilizzare la macchina a un'altezza superiore a quella della vita.** Ciò aiuterà a impedire il contatto accidentale con il tagliente o con la lama, consentendo un controllo migliore della macchina in situazioni impreviste.
- **Fare attenzione al movimento di rimbalzo quando si sega un ramo o alberelli in tensione.** Quando viene rilasciata la tensione nelle fibre di legno, il ramo o l'alberello possono colpire l'operatore e/o causare la perdita di controllo della macchina.
- **Prestare estrema attenzione quando si tagliano cespugli e alberelli.** Il materiale sottile può incastrarsi nella lama e colpire l'operatore facendogli perdere l'equilibrio.
- **Mantenere il controllo della macchina e non toccare taglienti, fili o lame e altre parti in movimento pericolose mentre sono ancora in movimento.** In questo modo si riduce il rischio di lesioni dovute alle parti in movimento.
- **Durante la rimozione del materiale inceppato o la manutenzione dell'unità, assicurarsi che tutti gli interruttori di corrente siano spenti e che il cavo di alimentazione sia scollegato.** L'avvio imprevisto della macchina durante la rimozione di eventuali residui o la manutenzione, può causare gravi lesioni personali.
- **Trasportare la macchina dopo averla spenta e tenendola lontana dal corpo.** La corretta movimentazione della macchina riduce il rischio di contatto accidentale con il tagliente, il filo o la lama in movimento.

- **Durante il trasporto o lo stoccaggio della macchina, montare sempre il coperchio sulle lame metalliche.** La corretta movimentazione della macchina riduce il rischio di contatto accidentale con la lama.
- **Utilizzare esclusivamente taglienti, fili, testine di taglio e lame specificate dal produttore.** Parti di ricambio non corrette possono aumentare il rischio di danni e lesioni.

## Altre informazioni generali sulla sicurezza

- Gli spostamenti vanno sempre eseguiti con il prodotto spento. Rimuovere sempre la batteria prima di passare il prodotto a un'altra persona.
- Non poggiare mai il prodotto al suolo se non è stato spento e non è stata rimossa la batteria. Non lasciare il prodotto senza supervisione se acceso.
- L'attrezzo di taglio non si ferma immediatamente dopo che il prodotto è stato spento.
- Prima di utilizzare il prodotto e dopo ogni impatto, controllare eventuali segni di usura o danno e, se necessario, ripararli.
- Se un oggetto si blocca nel gruppo di taglio durante l'utilizzo del prodotto, arrestare e disattivare il dispositivo. Accertarsi che il gruppo di taglio si arresti completamente. Rimuovere la batteria prima di procedere alla pulizia, all'ispezione o alla riparazione del prodotto e/o del gruppo di taglio.
- Eseguire il controllo del prodotto prima dell'utilizzo. Fare riferimento a *Dispositivi di sicurezza sul prodotto alla pagina 198* e *Manutenzione alla pagina 202*. Non utilizzare un prodotto difettoso. Eseguire i controlli di sicurezza e attenersi alle istruzioni di manutenzione e riparazione riportate nel presente manuale.
- Un gruppo di taglio difettoso può aumentare il rischio di incidenti.
- Verificare che l'ingranaggio non sia sporco o danneggiato. Rimuovere l'erba e il fogliame dall'ingranaggio utilizzando una spazzola. Usare i guanti quando è necessario.
- Assicurarsi sempre che le aperture di ventilazione siano sgombre da detriti.
- Controllare che la testina portafilo sia saldamente attaccata alla macchina.
- Tutti i carter, le protezioni e le impugnature devono essere montati prima di avviare la macchina.
- Controllare che il prodotto sia in perfette condizioni. Controllare che tutti i dadi e le viti siano ben serrati.
- Controllare la testina portafilo e la protezione parasassi e verificare che siano intatte e non presentino incrinature. Sostituire la testina portafilo o la protezione parasassi nel caso in cui abbia subito degli urti o presenti incrinature. Usare sempre la protezione consigliata per ogni specifico gruppo di taglio. Fare riferimento a *Accessori alla pagina 205*.
- Questo prodotto è uno strumento pericoloso se non si presta attenzione o se si utilizza il prodotto in modo errato. Il prodotto può causare gravi lesioni o morte dell'operatore o altre persone.

- Questo apparecchio non è destinato all'utilizzo da parte di persone (bambini inclusi) con ridotte capacità fisiche, sensoriali o mentali, oppure con mancanza di esperienza e conoscenza, a meno che non siano controllate o siano state istruite durante l'utilizzo da una persona responsabile della loro sicurezza. I bambini devono essere sorvegliati per evitare che giochino con l'apparecchio.
- Non consentire mai a bambini di utilizzare la macchina o avvicinarsi a essa. Data l'estrema facilità di avviamento della macchina, i bambini potrebbero essere in grado di avviarla se non sorvegliati. Si rischiano pertanto gravi lesioni personali. Quindi scollegare la batteria quando la macchina è lasciata incustodita.
- Non consentire mai l'uso e la manutenzione del prodotto a bambini o a persone non qualificate e non lasciare la batteria collegata.
- Conservare l'attrezzatura in un luogo chiuso a chiave e quindi lontano dalla portata di bambini e di persone non autorizzate.
- Mantenere sempre mani e piedi fuori dall'area di taglio, specialmente quando si aziona il motore.
- Tenere le mani e i piedi lontani dal gruppo di taglio fino al suo completo arresto quando il prodotto viene disattivato.
- Non rimuovere il materiale tagliato né permettere ad altre persone di rimuoverlo mentre il prodotto è attivato o mentre l'attrezzatura di taglio ruota, perché ciò potrebbe causare gravi lesioni.
- Si prega di notare che l'operatore è responsabile di eventuali incidenti o pericoli a persone o cose.
- Evitare assolutamente di modificare la versione originale del prodotto senza l'autorizzazione del fabbricante. Utilizzare sempre accessori originali. Modifiche e/o accessori non autorizzati possono causare gravi lesioni personali o mortali all'operatore o a terzi. La garanzia non copre i danni o inconvenienti causati dall'uso di accessori o pezzi di ricambio non omologati.
- I soli accessori che si possono utilizzare con questo prodotto sono i gruppi di taglio da noi consigliati nel capitolo Accessori. Fare riferimento a *Accessori alla pagina 205*.
- Non usare mai un prodotto che abbia subito modifiche tali da non corrispondere più alle specifiche originali
- Non usare mai un prodotto difettoso. Eseguire i controlli di sicurezza e attenersi alle istruzioni di manutenzione e riparazione riportate nel presente manuale. Alcuni interventi di manutenzione devono essere eseguiti da personale esperto e specializzato. Vedere le istruzioni alla sezione Manutenzione.
- Lavorare in condizioni meteorologiche avverse è spesso stancante e comporta un ulteriore rischio. A causa di questo ulteriore rischio, si consiglia di non utilizzare il prodotto in condizioni meteorologiche sfavorevoli, per esempio, in presenza di nebbia fitta, pioggia battente, vento forte, freddo intenso, rischio di fulmini, ecc.
- Non lavorare mai su una scala, uno sgabello o in altra posizione sollevata da terra che non sia ben fissata.
- Riporre gli apparecchi non utilizzati in ambienti chiusi.
- Non è possibile coprire tutte le situazioni immaginabili che potreste affrontare. Prestare sempre attenzione e usare il buon senso. Evitare tutte le situazioni che richiedono capacità superiori alle proprie. Se dopo aver letto le presenti istruzioni persistono dubbi sulle procedure operative, rivolgersi a un esperto prima di continuare.
- Controllare che non vi siano persone o animali in un raggio di 15 metri durante il lavoro. Nel caso in cui più utenti stiano lavorando nella stessa zona, la distanza di sicurezza deve essere almeno 15 metri. Altrimenti vi è il rischio di gravi lesioni personali. Arrestare immediatamente l'unità nel caso qualcuno si avvicini. Non girarsi mai con il prodotto in azione senza prima aver controllato che non ci sia nessuno alle vostre spalle entro la zona di sicurezza.
- Accertarsi che la presenza di persone, animali o altro non possa influire sul controllo del prodotto o che non vengano a contatto con il gruppo di taglio o che oggetti allentati possano essere scagliati in aria dal gruppo di taglio. Non utilizzare il prodotto se non si è certi di poter chiedere aiuto in caso di incidente.
- Accertarsi di poter camminare e lavorare in sicurezza. In caso di spostamenti, controllare che non vi siano ostacoli (ceppi, radici, rami, fossati ecc.). Fare particolare attenzione quando si lavora su terreni in pendenza.
- Procedere adagio, non correre.
- Controllare l'area di lavoro. Asportare eventuali corpi estranei quali pietre, frammenti di vetro, chiodi, fili di acciaio, corde ecc. che potrebbero essere scagliati oppure avvolgere il tagliante o la relativa protezione.
- Fare attenzione ad eventuali ramoscelli che potrebbero venir lanciati in aria durante il taglio. Non effettuare tagli troppo vicini al terreno, in quanto pietre e altri corpi estranei potrebbero venire scagliati in aria.
- Assicurarsi che all'accensione, il gruppo di taglio non entri in contatto con vestiti o parti del corpo. Tenere il prodotto al di sotto della cintura.
- Rischio di oggetti volanti. Usare sempre protezione per gli occhi omologata. Evitare di lavorare inclinati verso la protezione del gruppo di taglio. C'è la possibilità di essere colpiti a un occhio da un sasso, un ramo o altri oggetti sollevatisi dal terreno, con conseguenze anche molto gravi, quali la cecità.
- Far sempre attenzione a segnali di allarme o eventuali grida quando si utilizzano le cuffie protettive. Togliere sempre le cuffie protettive immediatamente all'arresto del prodotto.
- In caso di vibrazioni indesiderate, tagliare il nuovo filo alla lunghezza giusta per interrompere le vibrazioni.

- Se il prodotto inizia a vibrare in modo anomalo, arrestarlo e rimuovere la batteria.
- La sovraesposizione alle vibrazioni può causare lesioni neuro-vascolari a chi soffre di cattiva circolazione. In caso di sintomi riferibili a sovraesposizione alle vibrazioni rivolgersi al proprio medico. Esempi di questi sintomi: intorpidimento, perdita di sensibilità, formicolio, torpore, dolore, mancanza di forze, alterazioni di colore o aspetto della pelle. Tali sintomi si riscontrano generalmente nelle mani, nei polsi e alle dita.
- Tenere sempre saldamente il prodotto con entrambe le mani. Tenere il prodotto sul lato destro del proprio corpo.

## Dispositivi di protezione individuale



**AVVERTENZA:** Leggere le seguenti avvertenze prima di utilizzare il prodotto.

- Usare sempre abbigliamento protettivo personale omologato quando si utilizza il prodotto. L'uso di abbigliamento protettivo personale non elimina il rischio di lesioni, ma ne riduce la gravità in caso di incidente. Farsi consigliare dal rivenditore per la scelta dell'attrezzatura adatta.
- Elmetto protettivo laddove sussiste il rischio di caduta di oggetti.
- Usare cuffie protettive con effetto insonorizzante adeguato. Una lunga esposizione al rumore può comportare lesioni permanenti all'udito.
- Utilizzare protezioni per gli occhi omologate. Con l'uso della visiera è necessario anche l'uso di occhiali protettivi omologati. Con il termine occhiali protettivi omologati si intendono occhiali che siano conformi alle norme ANSI Z87.1 per gli USA o EN 166 per i paesi EU.
- Utilizzare una visiera per proteggere il viso. Una visiera non è sufficiente a proteggere gli occhi.

(Fig. 19)

- Indossare guanti ove necessario, ad esempio per montare, ispezionare o pulire l'attrezzatura di taglio.
- Utilizzare stivali robusti e antisdrucciolo.
- Indossare indumenti di tessuto resistente. Indossare sempre pantaloni lunghi e pesanti e maniche lunghe. Non indossare indumenti larghi che potrebbero impigliarsi nei ramoscelli e nei rami. Non indossare gioielli, pantaloni corti o sandali e non lavorare a piedi nudi. Raccogliere i capelli in modo sicuro sopra le spalle.

(Fig. 20)

- Tenere a portata di mano il kit di primo soccorso.

(Fig. 21)

## Dispositivi di sicurezza sul prodotto



**AVVERTENZA:** Leggere le seguenti avvertenze prima di utilizzare il prodotto.

In questo capitolo vengono presentati i dispositivi di sicurezza del prodotto, la loro funzione, il controllo e la manutenzione necessari per assicurarne una funzione ottimale. Vedere le istruzioni alla sezione *Introduzione alla pagina 192* per individuare la posizione di queste parti sul prodotto.

La durata del prodotto può ridursi e il rischio di incidenti aumentare se la manutenzione non viene eseguita correttamente e se l'assistenza e/o le riparazioni non vengono effettuate da personale qualificato. Per ulteriori informazioni, contattare il rivenditore con assistenza più vicino.



**AVVERTENZA:** Non utilizzare mai un prodotto con dispositivi di sicurezza danneggiati. I dispositivi di sicurezza del prodotto vanno controllati e sottoposti a manutenzione secondo quanto descritto in questo capitolo. Se il prodotto non supera tutti i controlli, contattare un'officina per le necessarie riparazioni.



**ATTENZIONE:** Tutte le riparazioni e l'assistenza della macchina vanno eseguite da personale specializzato. Quanto detto vale in particolare per i dispositivi di sicurezza della macchina. Se la macchina non supera tutti i controlli sottoelencati, contattare l'officina autorizzata. L'acquisto di uno dei nostri prodotti garantisce l'assistenza di personale qualificato. Se non avete acquistato la macchina presso un rivenditore con centro di assistenza, informatevi sull'ubicazione della più vicina officina autorizzata.

## Controllo dell'interfaccia utente

1. Tenere premuto il pulsante di avvio/arresto (A).
  - a) Il prodotto è acceso quando il display (B) si accende. (Fig. 22)
  - b) Il prodotto è spento quando il display si spegne.
2. Se la spia di avvertenza sul display si accende o lampeggia, fare riferimento a *Interfaccia utente alla pagina 203*.

## Controllo del fermo della leva comando

Il blocco della leva di comando è stato progettato per impedire l'attivazione accidentale del prodotto. Quando si preme in avanti il blocco della leva di comando (A) e lo si preme contro l'impugnatura (B), la leva di comando (C) viene rilasciata. Quando si rilascia l'impugnatura,

la leva di comando e il relativo blocco ritornano alla posizione iniziale. Il movimento avviene grazie a tre sistemi di molle indipendenti. (Fig. 23)

1. Controllare che la leva di comando sia bloccata quando il fermo si trova nella posizione originale. (Fig. 24)
2. Premere la leva comando e assicurarsi che, una volta rilasciata, ritorni alla posizione iniziale. (Fig. 25)
3. Controllare che la leva di comando e il blocco si muovano liberamente e che la molla di ritorno funzioni correttamente.
4. Avviare il prodotto, fare riferimento a *Avviamento del prodotto alla pagina 201*.
5. Accelerare alla velocità massima.
6. Rilasciare la leva di comando e accertarsi che il gruppo di taglio si arresti e rimanga fermo.

### Controllo della protezione del gruppo di taglio



**AVVERTENZA:** Non utilizzare un gruppo di taglio senza che sia stata montata un'apposita protezione approvata e fissata correttamente. Usare sempre la protezione del gruppo di taglio consigliata per il gruppo di taglio utilizzato, vedere *Accessori alla pagina 205*. Il montaggio di una protezione del gruppo di taglio inadeguata o difettosa può provocare gravi lesioni personali.

La protezione del gruppo di taglio impedisce che gli oggetti vengano scagliati in direzione dell'operatore. Inoltre impedisce gli infortuni che si verificano nel caso in cui si venga a contatto con il gruppo di taglio.

1. Arrestare il prodotto e rimuovere la batteria.
2. Eseguire un controllo visivo per verificare l'eventuale presenza di danni, ad esempio incrinature. (Fig. 26)
3. Se danneggiata, sostituire la protezione del gruppo di taglio.

### Testina portafilo

- Utilizzare sempre la testina portafilo e il gruppo di taglio corretti e utilizzare sempre il filo del trimmer consigliato. Vedere *Accessori alla pagina 205* e la sezione sul montaggio alla fine del manuale.
- Verificare che il tagliente sulla protezione parasassi non sia danneggiato.
- Assicurarsi che il filo del trimmer sia avvolto saldamente e in modo uniforme attorno al tamburo per evitare pericolose vibrazioni dal prodotto. Cavi di lunghezze diverse possono causare vibrazioni non necessarie. Battere sulla testina portafilo per ottenere la lunghezza corretta sul cavo.

Per prolungare la vita del cavo, è possibile immergerlo in acqua per 2 giorni prima dell'assemblaggio. Ciò aumenta la resistenza del cavo.

### Istruzioni di sicurezza per il montaggio



**AVVERTENZA:** Leggere, comprendere e rispettare attentamente queste istruzioni prima di utilizzare il prodotto.

- Rimuovere la batteria dal prodotto prima di assemblarlo.
- Utilizzare guanti protettivi omologati.
- Una protezione danneggiata o che non funziona correttamente può causare lesioni. Non utilizzare un gruppo di taglio senza una protezione omologata fissata.
- Assicurarsi di montare il coperchio e l'albero corretto prima di avviare il prodotto.
- Il menabrida e la flangia di sostegno devono inserirsi correttamente nel foro centrale del gruppo di taglio. Un gruppo di taglio fissato in modo errato può causare lesioni gravi o mortali.
- Se un cinghiaggio viene fornito con l'accessorio, deve essere collegato correttamente al prodotto. Il cinghiaggio rende il funzionamento sicuro e previene lesioni all'operatore o ad altre persone.

### Istruzioni di sicurezza per la manutenzione



**AVVERTENZA:** Leggere le avvertenze seguenti prima di eseguire la manutenzione del prodotto.

- Rimuovere la batteria prima di eseguire la manutenzione, altri controlli o montare il prodotto.
- L'operatore deve eseguire solo gli interventi di manutenzione e assistenza indicati in questo manuale operatore. Rivolgersi al Centro di assistenza di competenza per interventi di manutenzione e assistenza più importanti.
- Non pulire la batteria o il caricabatteria con acqua. Detergenti aggressivi possono causare danni alla plastica.
- Se non si esegue la manutenzione, si riduce il ciclo di vita del prodotto e aumenta il rischio di incidenti.
- È necessaria una formazione specifica per eseguire tutti gli interventi di manutenzione e lavori di riparazione, in particolare per i dispositivi di sicurezza del prodotto. Se non vengono approvati tutti i controlli descritti nel presente manuale operatore, dopo aver eseguito la manutenzione, contattare il Centro di assistenza. La nostra azienda garantisce la disponibilità di personale qualificato per le riparazioni e l'assistenza del prodotto.
- Utilizzare unicamente ricambi originali.
- Utilizzare guanti per lavori pesanti quando si ripara il gruppo di taglio. Le lame sono estremamente affilate e possono facilmente causare lesioni.

---

# Montaggio

---

## Montaggio dell'impugnatura ad anello

1. Fissare l'impugnatura ad anello sull'albero tra le frecce. Non posizionare l'impugnatura ad anello o l'occhiello di sospensione sull'etichetta. (Fig. 27)
2. Spostare il distanziale nella guida dell'impugnatura ad anello.
3. Fissare il dado, la manopola e la vite, non serrare eccessivamente.
4. Regolare il prodotto in una posizione comoda.
5. Serrare il bullone.

## Per montare l'attrezzatura di taglio

L'attrezzatura di taglio comprende un gruppo di taglio e una protezione del gruppo di taglio.



**AVVERTENZA:** Usare guanti protettivi.



**AVVERTENZA:** Usare sempre la protezione del gruppo di taglio consigliata per il gruppo di taglio. Vedere *Dati tecnici alla pagina 204*.



**AVVERTENZA:** Un gruppo di taglio fissato in modo errato può causare lesioni gravi o mortali.

## Montaggio della protezione del gruppo di taglio

1. Montare la protezione del gruppo di taglio (A) al gancio sul supporto della piastra (B). (Fig. 28)
2. Montare la protezione del gruppo di taglio sull'albero e serrarla con il bullone (C).

## Rimozione della protezione del gruppo di taglio

- Allentare il bullone (C) e rimuovere la protezione del gruppo di taglio (A) dall'albero. (Fig. 29)

## Montaggio delle testine portafilo



**AVVERTENZA:** Durante il montaggio del gruppo di taglio è di estrema importanza fare in modo che la guida del menabrida/flangia di sostegno sia posizionata nel modo corretto nel foro centrale del gruppo di taglio. Un gruppo di taglio montato in modo errato può causare lesioni personali molto gravi e/o perfino mortali.



**AVVERTENZA:** Non usare mai in nessun caso alcun gruppo di taglio senza che sia stato montato un dispositivo di protezione omologato. Fare riferimento a *Accessori alla pagina 205*. Il montaggio di un dispositivo di protezione inadeguato o difettoso può provocare gravi lesioni personali.

## Montaggio della testina portafilo

1. Collocare il menabrida (B) sull'albero in uscita.
2. Girare l'albero in uscita fino a far coincidere uno dei fori del menabrida con il foro corrispondente nella scatola ingranaggi.
3. Introdurre nel foro la spina di bloccaggio (C) per bloccare l'albero.
4. Per fissare la testina portafilo (H) girarla in senso antiorario. (Fig. 30)

## Rimozione della testina portafilo

1. Introdurre nel foro la spina di bloccaggio (C) per bloccare l'albero.
2. Per rimuovere la testina portafilo (H) girarla in senso orario.
3. Rimuovere il menabrida (B) dall'albero in uscita. (Fig. 30)

---

# Utilizzo

---

## Introduzione



**AVVERTENZA:** Leggere e comprendere il capitolo sulla sicurezza prima di utilizzare la macchina.



## Collegamento della batteria al prodotto

**AVVERTENZA:** Nel prodotto, utilizzare solo le batterie originali Husqvarna.

1. Verificare che la batteria sia completamente carica.



2. Spingere la batteria nel supporto della batteria del prodotto. La batteria si blocca in posizione quando si percepisce un clic. (Fig. 31)



**ATTENZIONE:** Se la batteria non entra facilmente nel relativo supporto, la batteria non è installata correttamente. Ciò può causare danni al prodotto.

3. Assicurarsi che la batteria sia installata correttamente.

## Posizione di lavoro

- Tenere il prodotto con entrambe le mani.
- Tenere il prodotto sul lato destro del proprio corpo.
- Tenere il gruppo di taglio al di sotto della vita.
- Tenere il corpo lontano dalle superfici calde.
- Tenere il corpo lontano dal gruppo di taglio.

## Prima di utilizzare il prodotto

- Esaminare l'area di lavoro per accertarsi di conoscere il tipo di terreno, la pendenza e la presenza di ostacoli quali pietre, rami e fossi.
- Eseguire un'ispezione e revisione del prodotto.
- Eseguire i controlli di sicurezza, manutenzione e assistenza indicati nel presente manuale.
- Accertarsi che tutti i coperchi, le protezioni, le impugnature e l'attrezzatura di taglio siano fissati correttamente e non siano danneggiati.
- Esaminare che la flangia di sostegno non presenti incrinature. Sostituire la flangia di sostegno se danneggiata.

(Fig. 32)

- Esaminare la testina portafilo e la protezione del gruppo di taglio per rilevare eventuali danni o incrinature. Sostituire la testina portafilo e la protezione del gruppo di taglio nel caso in cui siano stati colpiti o se presentano incrinature.

(Fig. 33)

## Avviamento del prodotto

1. Tenere premuto il pulsante d'avvio fino all'accensione del LED verde. (Fig. 34)
2. Usare la leva di comando per controllare la velocità.

## Limitazione della velocità massima con il pulsante della modalità

Il prodotto dispone di un pulsante per la modalità. Con il pulsante MODE l'operatore può limitare la velocità massima. Il pulsante di modalità ha 3 livelli di velocità. Un livello inferiore aumenta il tempo dell'operazione del prodotto. Utilizzare il livello 1 e il livello 2 se l'operazione non richiede la massima velocità/potenza. Se le condizioni operative richiedono la velocità massima/piena potenza, utilizzare il livello 3.

Non utilizzare un livello maggiore del necessario per l'operazione.

1. Premere il pulsante della modalità per impostare un limite alla velocità massima. Il LED bianco si accende per indicare che la funzione è attiva. (Fig. 35)
2. Premere nuovamente il pulsante MODE per scegliere il livello di velocità successivo.

## Funzione di arresto automatico

Il prodotto dispone di una funzione di arresto che lo disattiva in caso di mancato utilizzo.

## Bordatura dell'erba con testina portafilo

### Potatura dell'erba

1. Mantenere la testina portafilo a poca distanza dal terreno ed angolarla. (Fig. 36) Non spingere il filo del decespugliatore nell'erba.
2. Utilizzare l'80% della velocità durante il taglio dell'erba in prossimità di oggetti. (Fig. 37)

### Taglio dell'erba

1. Assicurarsi che la lama sia parallela al terreno durante il taglio. (Fig. 38)
2. Non spingere la testina portafilo a terra. Il terreno e il prodotto possono danneggiarsi.
3. Non lasciare che la testina portafilo tocchi continuamente il terreno, in quanto potrebbe danneggiarsi.
4. Utilizzare la velocità massima durante lo spostamento del prodotto da un lato all'altro per tagliare l'erba. (Fig. 39) Assicurarsi che il filo del decespugliatore sia parallelo al terreno.

### Per spazzare via l'erba

Il flusso d'aria dal filo rotante del trimmer può essere utilizzato per rimuovere l'erba tagliata da un'area.

1. Mantenere la testina portafilo ed il filo paralleli al terreno e sopra di esso.
2. Accelerare alla velocità massima.
3. Spostare la testina portafilo da un lato all'altro e spazzare via l'erba.



**AVVERTENZA:** Pulire il coperchio della testina portafilo ogni volta che si monta un nuovo filo del trimmer per prevenire lo sbilanciamento e le vibrazioni delle impugnature. Eseguire un controllo delle altre parti della testina portafilo e pulirla, se necessario.

## Arresto del prodotto

1. Rilasciare la leva di comando o il fermo della leva di comando.

2. Premere il pulsante di arresto. (Fig. 34)

3. Premere i pulsanti di rilascio sulla batteria ed estrarre la batteria. (Fig. 40)

## Manutenzione

### Introduzione



**AVVERTENZA:** Prima di eseguire qualsiasi lavoro di manutenzione, è necessario leggere e capire il capitolo relativo alla sicurezza.

### Programma di manutenzione



**AVVERTENZA:** Rimuovere la batteria prima di eseguire la manutenzione.

Qui di seguito è disponibile una lista delle operazioni di manutenzione da eseguire sul prodotto.

Manutenzione	Giornaliera	Una volta a settimana	Una volta al mese
Pulire le parti esterne del prodotto con un panno asciutto. Non utilizzare acqua.	X		
Controllare che il pulsante di avvio/arresto funzioni correttamente e sia integro.	X		
Assicurarsi che il fermo della leva di comando e la leva di comando funzionino correttamente e in modo sicuro.	X		
Accertarsi che tutti i comandi funzionino e non siano danneggiati.	X		
Mantenere le impugnature asciutte, pulite e prive di olio e grasso.	X		
Assicurarsi che il gruppo di taglio non sia danneggiato. Se danneggiato, sostituire il gruppo di taglio.	X		
Accertarsi che la protezione del gruppo di taglio o la lama non siano danneggiate. Se danneggiata, sostituire la protezione del gruppo di taglio o la lama.	X		
Assicurarsi che i dadi e le viti siano serrati a fondo.	X		
Accertarsi che i pulsanti di rilascio sulla batteria funzionino e che tengano la batteria bloccata nel prodotto.	X		
Verificare che la batteria non sia danneggiata.	X		
Verificare che la batteria sia carica.	X		
Verificare che il caricabatterie non sia danneggiato e funzioni correttamente.	X		
Esaminare tutti i cavi, gli accoppiamenti e i raccordi. Verificare che siano integri e privi di sporcizia.		X	
Accertarsi che il riduttore angolare sia riempito con il grasso corretto, fare riferimento a <i>Lubrificazione del riduttore angolare alla pagina 202</i> . In caso contrario, utilizzare l'apposito grasso per riduttore angolare Husqvarna.		X	
Effettuare un controllo dei collegamenti tra la batteria e il prodotto. Controllare il collegamento tra la batteria e il caricabatterie.			X

### Per pulire il prodotto, la batteria e il caricabatterie

1. Pulire il prodotto con un panno asciutto dopo l'uso.
2. Pulire la batteria e il caricabatterie con un panno asciutto. Mantenere puliti i binari guida della batteria.

3. Assicurarsi che i morsetti della batteria e il caricabatterie siano puliti prima di posizionare la batteria nel caricabatterie o nel prodotto.

### Lubrificazione del riduttore angolare

1. Rimuovere l'attrezzatura di taglio.

2. Posizionare il prodotto con il tappo di ingrassaggio nella posizione più alta.
3. Rimuovere il tappo di ingrassaggio. (Fig. 41)
4. Guardare nel foro del tappo di ingrassaggio e ruotare l'albero di trasmissione. Il livello di grasso (A) deve essere a livello con la parte superiore dei denti dell'ingranaggio (B). (Fig. 42)
5. Se il livello di grasso è troppo basso, riempire il riduttore angolare con l'apposito grasso Husqvarna. Riempire lentamente e ruotare l'albero di trasmissione mentre si applica il grasso per riduttore angolare, fermarsi al livello corretto (B).



**ATTENZIONE:** Una quantità errata di grasso può danneggiare il riduttore angolare.

6. Montare il tappo di ingrassaggio.

## Ricerca guasti

### Interfaccia utente

Problema	Possibili guasti	Possibile soluzione
La spia LED della batteria lampeggia in arancione	La tensione della batteria è bassa.	Caricare la batteria.
Il LED di errore lampeggia di colore rosso.	Sovraccarico.	Il gruppo di taglio è inceppato. Arrestare il prodotto. Rimuovere la batteria. Pulire il gruppo di taglio da materiali indesiderati.
	Deviazione di temperatura.	Lasciar raffreddare il prodotto.
	La leva di comando e il pulsante di accensione vengono premuti contemporaneamente.	Rilasciare la leva comando per attivare il prodotto.
Il prodotto non si avvia	Presenza di sporcizia nei collegamenti della batteria.	Pulire i collegamenti della batteria con aria compressa o con un pennello morbido.
Il LED di errore si illumina di rosso.	Il prodotto richiede manutenzione.	Contattare un'officina autorizzata.

## Trasporto, stoccaggio e smaltimento

### Trasporto e rimessaggio

- Le batterie agli ioni di litio in dotazione rispettano i requisiti di legge sulle merci pericolose.
- Rispettare i requisiti speciali riportati sulla confezione e sulle etichette per il trasporto commerciale, compreso quello effettuato da terzi e da corrieri.
- Parlare con personale che ha seguito una formazione specifica in materiali pericolosi prima di inviare il prodotto. Rispettare tutte le norme nazionali vigenti.
- Quando si inserisce la batteria in un contenitore, applicare del nastro adesivo sui contatti aperti. Inserire la batteria nel contenitore in modo da garantirne la massima aderenza.
- Rimuovere la batteria per la conservazione o il trasporto.
- Conservare la batteria e il caricabatterie in un luogo asciutto, privo di umidità e protetto dal gelo.
- Non conservare la batteria in aree elettricamente statiche. Non conservare mai la batteria in una scatola di metallo.
- Durante il rimessaggio, conservare la batteria in un luogo dove la temperatura è compresa tra 5 °C/41 °F e 25 °C/77 °F e lontano da luce solare.
- Durante il rimessaggio, conservare il caricabatterie in un luogo dove la temperatura è compresa tra 5 °C/41 °F e 45 °C/113 °F e lontano da luce solare.

- Utilizzare il caricabatterie soltanto quando la temperatura circostante è compresa tra 5 °C/41 °F e 40 °C/104 °F.
- Caricare la batteria dal 30% al 50% prima di immagazzinarla per lunghi periodi.
- Conservare il caricabatterie in un luogo chiuso e asciutto.
- Tenere la batteria lontano dal caricabatterie durante il rimessaggio. Non lasciare che i bambini e altre persone non autorizzate tocchino l'attrezzatura. Mantenere le attrezzature in un luogo che è possibile chiudere.
- Pulire il prodotto ed eseguire una manutenzione completa prima di conservarlo per lunghi periodi.
- Utilizzare la protezione di trasporto sul prodotto per evitare che si danneggi durante il trasporto e il rimessaggio.

- Bloccare il prodotto in modo sicuro durante il trasporto.

## Smaltimento della batteria, del caricabatterie e del prodotto

I simboli sul prodotto o sull'imballaggio indicano che il presente prodotto non è rifiuto domestico. Riciclarlo in una stazione di riciclaggio per apparecchiature elettriche ed elettroniche. Ciò contribuisce ad evitare danni all'ambiente e alle persone.

Contattare le autorità locali, il servizio per i rifiuti domestici o il rivenditore per ulteriori informazioni su come riciclare il prodotto.

---

## Dati tecnici

---

### Dati tecnici

	<b>325iL</b>
<b>Motore</b>	
Tipo di motore	BLDC (senza spazzole) 36V
Regime albero in uscita, giri/min	5800
Larghezza di taglio, mm	420
<b>Peso</b>	
Peso esclusi batteria e gruppo di taglio, kg	3,0
<b>Emissioni di rumore</b> <sup>37</sup>	
Livello di potenza acustica, misurato dB(A)	93
Livello acustico, garantito L <sub>WA</sub> dB(A)	96
<b>Livelli di rumorosità</b> <sup>38</sup>	
Livello di pressione acustica equivalente rispetto all'udito dell'operatore, misurato in base alle norme ISO 22868, dB(A):	
Equipaggiato con testina portafilo (originale)	84

<sup>37</sup> Emissioni di rumore nell'ambiente misurate come potenza sonora (LWA) in base alla direttiva CE 2000/14/CE. Il livello di potenza acustica riportato per il macchinario è stato misurato con il gruppo di taglio originale che emette il livello massimo. La differenza tra potenza acustica misurata e garantita è che la potenza acustica garantita comprende anche la dispersione nel risultato di misurazione e le variazioni tra le diverse macchine dello stesso modello come da Direttiva 2000/14/CE.

<sup>38</sup> I dati riportati relativi al livello di pressione acustica della macchina hanno una tipica dispersione statistica (deviazione standard) di 3 dB (A) e sono stati misurati con il gruppo di taglio originale che fornisce il massimo livello.

	<b>325iL</b>
<b>Livelli di vibrazioni</b> <sup>39</sup>	
Livelli di vibrazioni delle impugnature, misurati in base alla norma ISO 22867, m/s <sup>2</sup>	
Con testina portafilo (originale), anteriore/posteriore, m/s <sup>2</sup>	4,3/2,9

## Batterie approvate

Batteria	BLi 200
Tipo	Ioni di litio
Capacità batteria, Ah	5,2
Tensione nominale, V	36
Peso, kg (lb)	1,3 (2,9)

## Caricabatterie omologati

Caricabatterie	QC330
Tensione di entrata, V	100-240
Frequenza, Hz	50-60
Potenza, W	330

---

## Accessori

---

### Accessori

Accessori omologati	Tipo di accessori	Protezione gruppo di taglio n° codice
Foro centrale di lame/coltelli, Ø 25,4		
Filettatura albero in uscita M10		
Testina portafilo	T35 (filo del trimmer Whisper Twist, Ø massimo 2,4 mm)	597 01 62-02

<sup>39</sup> I dati riportati per il livello di vibrazioni presentano una dispersione statistica tipica (deviazione standard) di 2 m/s<sup>2</sup>. Per il confronto dei livelli di vibrazioni, della batteria e dei prodotti a combustione, utilizzare il calcolatore delle vibrazioni. <https://www.husqvarna.com/uk/services-solutions/vibration-calculator/>.

# Dichiarazione di conformità

## Dichiarazione di conformità UE

Husqvarna AB, SE-561 82 Huskvarna, Svezia, tel.:  
+46-36-146500, dichiara sotto la propria esclusiva  
responsabilità che il prodotto indicato:

<b>Descrizione</b>	Trimmer a batteria
<b>Marchio</b>	Husqvarna
<b>Tipo/Modello</b>	325iL
<b>Identificazione</b>	Numeri di serie a partire da 2023 e successivi

È pienamente conforme alle seguenti norme e direttive  
UE:

Direttiva/norma	Descrizione
2006/42/CE	"sulle macchine"
2014/30/EMC	"sulla compatibilità elettromagnetica"
2011/65/UE	"sulla restrizione dell'uso di sostanze pericolose"
2000/14/CE	"sul rumore esterno"

e che sono applicati gli standard e/o le specifiche  
tecniche seguenti: EN 62841-1:2015/AC:2015, EN  
62841-4-4 (IEC 62841-4-4:2020), EN 61000-6-1:2007  
(Immunity), EN 61000-6-3:2007/A1:2011/AC:2012  
(Emission).



RISE SMP Svensk Maskinprovning AB, Box 4053,  
SE-904 03 Umeå, Sweden ha eseguito un controllo  
volontario secondo l'allegato IX della 2006/42/CE. N.  
certificato: SEC/23/2579.

Notified body: 0404, RISE SMP Svensk Maskinprovning  
AB, Box 4053, SE-904 03 Umeå, Sweden ha inoltre  
verificato la conformità con l'appendice V della Direttiva  
del Consiglio 2000/14/CE.

Per informazioni sulle emissioni acustiche, fare  
riferimento a *Dati tecnici alla pagina 204*.

Huskvarna, 2022-12-01

Stefan Holmberg, Responsabile R&S , Technology  
Management, Husqvarna AB

Responsabile della documentazione tecnica

## 目次

はじめに.....	207	搬送、保管、廃棄.....	217
安全性.....	208	主要諸元.....	218
組立.....	214	アクセサリ.....	219
Operation( 操作 ).....	215	適合宣言.....	220
メンテナンス.....	216	付録.....	447
トラブルシューティング.....	217		

## はじめに

### 製品の説明

Husqvarna 325iL は、電気モーターで作動するバッテリー式刈払機です。

弊社では、皆様の安全と作業の効率性を向上させるため、常に製品の改善に力を入れています。詳しくは、サービス代理店までお問い合わせください。

### 用途

本製品は、トリマーヘッドと組み合わせることにより、さまざまな種類の刈り払いに対応します。本製品は、草刈りと刈り払い以外の作業には使用しないでください。

### 製品の概要

(図 1)

1. 取扱説明書
2. ベベルギア
3. ロックピン用の穴
4. トリマーヘッド
5. カットングアタッチメントガード
6. ドライブディスク
7. コンビレンチ
8. ループハンドル
9. ノブ
10. シャフト
11. ロックピン
12. 警告インジケータ LED
13. START/STOP ボタン
14. 速度モードボタン
15. パワートリガーロック
16. ユーザーインターフェイス
17. パワートリガー
18. バッテリー充電コード
19. バッテリー充電器
20. 電源および警告 LED
21. [ Battery release ( バッテリーリリース ) ] ボタン
22. バッテリー
23. LED インジケータ ( 充電状態の表示 )
24. 警告 LED
25. バッテリーインジケータボタン

**注記：** 使用には、国や地方により、規制が課せられる場合があります。所定の規制に従ってください。

メーカーによって認可されたアクセサリのみを使用し、本製品を使用してください。アクセサリ 219 ページを参照してください。

### 製品に表記されるシンボルマーク

- (図 2) 警告！本製品の使用には危険が伴います。不注意な取り扱いや誤った取り扱いは作業や周囲の人などに深刻な、時には致命的な傷害を引き起こすことがあります。本取扱説明書をよくお読みになり、内容を理解することが非常に重要です。本製品をご使用になる前に、この取扱説明書を注意深くお読みいただき、内容をしっかりと把握してください。
- (図 3) 認可されたイヤマフを使用してください。認可された防護メガネを使用してください。
- (図 4) 最大出力回転数または無負荷速度。
- XXXX /分  
または分<sup>-1</sup> | 1 分あたりの回転数または往復回数。
- (図 5) 定格電圧、V
- (図 6) 直流。
- (図 7) 本製品は EC 指令適合製品です。
- (図 8) この製品は該当する UK 規制に準拠しています。

(図 9) 認可された保護手袋を着用してください。

(図 10) 丈夫で滑りにくいブーツを着用してください。

(図 11) 非金属性の柔軟なカッティングアタッチメントのみ使用してください。

(図 12) 製品やパッケージ上のマークは、本製品が家庭ゴミとして取り扱われてはならないことを示します。本製品は適切なりサイクル施設に廃棄しなければなりません。

(図 13) 本アタッチメントで吹き飛ばしたものが跳ね返ってくる場合があります。そのため、推奨されている安全装置を使用してい

ない場合、目に重傷を負うことがあります。

(図 14) メンテナンスを行う前に、バッテリーを取り外してください。

(図 15) 本製品は防沫仕様です。

(図 16) 体のあらゆる部分を、高温の表面から遠ざけてください。

(図 17) 環境に対する騒音レベルは EC 指令と英国の指令および規制、ニューサウスウェールズの法規「Protection of the Environment Operations ( Noise Control ) Regulation 2017」に準拠しています。本製品の保証音響レベルは次の場所とラベルに記載されています： *主要諸元 218* ページ。

yyyywwxxxx

製造番号は銘板に記載されています。yyyy は製造年、ww は製造された週で、xxxx はシリアル番号です。

(図 18)

作業中、作業者は人や動物が 15 メートル以内に近づかないように注意する必要があります。作業場所内に複数の作業者がいる場合は、安全のために、最低 15 メートルの距離を取ってください。

**注記：** 本製品に付いている他のシンボル / 銘板は、他の販売地域での認定条件を示しています。

## 製品の損傷

以下の場合、当社は製品の損傷について責任を負いません。

- 本製品が誤って修理された場合。

- メーカーによるものではない部品、またはメーカーの認可していない部品を使用して本製品を修理した場合。
- メーカーによるものではないアクセサリ、またはメーカーの認可していないアクセサリを本製品に使用した場合。
- 認定サービスセンターまたは認定販売店で本製品が修理されていない場合。

## 安全性

### 安全性の定義

警告、注意、注記は、取扱説明書の特に重要な部分を示しています。



**警告：** 取扱説明書の指示に従わない場合、使用者が負傷したり、死亡したりするが、あるいは付近の人に損傷を与える危険があることを意味します。



**注意：** 取扱説明書の指示に従わない場合、製品や他の物品、または隣接するエリアに損傷を与える危険があることを意味します。

**注記：** 特定の状況で必要とされる詳細情報を提供するために使用されます。

### パワーツールの一般的な安全上の警告



**警告：** このパワーツールに付属している安全に関する警告、注意事項、図、仕様をすべてお読みください。下記のすべての指示に従わない場合、感電、火災、あるいは深刻な傷害を招くことがあります。

- すべての警告や説明は、以後の参考のために保管してください。警告の「パワーツール」とは、電源で作動する（コード付）パワーツールまたはバッテリー駆動（コードレス）のパワーツールを指します。

### 作業エリアの安全

- 作業場所を清潔に、照明を明るく保ちます。乱雑な、あるいは暗い場所では、事故が起こりやすくなります。
- 可燃性の液体や気体、塵がある所など、爆発性雰囲気の中でパワーツールを作動させないでください。



パワーツールは、塵やガスを発火させる火花を発生させます。

- パワーツールの操作中は子供やそばにいる人たちと十分な距離を置いてください。注意が散漫になると、操作ミスを引き起こす可能性があります。

## 電気保安

- パワーツールのプラグはコンセントに適合しなければなりません。決してプラグを改造しないでください。アダプタプラグをアースの付いた（接地された）パワーツールとともに使用しないでください。改造されていないプラグおよび型の同じコンセントを使用すれば、感電のリスクが低くなります。
- パイプやラジエータ、レンジ、冷蔵庫など、アースの付いた表面または接地された表面に触れないようにしてください。体が接地していたりアースされていたりすると、感電のリスクが高くなります。
- パワーツールを雨露や湿潤な環境に曝さないでください。パワーツール内に水が浸入すると、感電のリスクが高まります。
- コードを本来の目的以外に使用しないでください。コードを持ってパワーツールを移動したり、引っ張ったり、電源を抜いたりすることのないようにしてください。熱やオイル、とがった先端や可動部品にコードを近づけないでください。コードが破損したり絡まると、感電のリスクが高くなります。
- 屋外でパワーツールを操作する場合は、屋外での使用に適した延長コードを使用してください。屋外での使用に適したコードを使用することで、感電の危険性は少なくなります。
- 湿気のある場所でパワーツールを操作せざるを得ない場合は、電源を保護するために漏電遮断器（RCD）を使用してください。RCDは感電の危険を低減します。

## 個人の安全

- パワーツールを操作するときは、十分に気をつけて慎重に行動し、常識に従ってください。疲れているときや、医薬品およびアルコールの影響が残っている状態でパワーツールを使用しないでください。パワーツールの操作中は、一瞬の不注意が重大な傷害につながる可能性があります。
- 身体保護具を使用してください。常に眼の保護具を着用してください。防塵マスクや滑り止め用の安全靴、ヘルメット、イヤマフを使用すると、負傷の危険性が少なくなります。
- 予期せぬ始動を防止してください。電源およびバッテリーパックを接続したり、ツールを手にとって運んだりする前に、必ずスイッチがオフの位置にあることを確認してください。スイッチに指を置いてパワーツールを運んだり、スイッチが入った状態でパワーツールに圧力をかけると、事故につながります。
- パワーツールをオンにする前に、調整キーとレンチを外してください。パワーツールの回転部品にレンチやキーが取り付けられたままになっていると、負傷の原因となります。
- 無理な体勢で作業しないでください。常に、安定した足場とバランスを保つようにしてください。こうすることで、予期しない事態でもパワーツールを安定した状態に保つことができます。

- 適切な服装を心がけてください。ゆったりした衣服や装身具を身につけないでください。可動部品に髪の毛や衣服を近づけないでください。ゆったりした衣服や装身具、長髪は可動部品に絡まるおそれがあります。
- 集塵装置の接続用装備が提供されている場合、それらが接続されて正しく使用されているか確認してください。集塵装置を使用すると、塵に関連する危険を回避できます。
- ツールを頻繁に使用することによる慣れで、安全への関心を失ってツールの安全原則を無視することは非常に危険です。不注意により、一瞬で深刻な事故が発生するおそれがあります。

## パワーツールの使用と手入れ

- パワーツールを無理に使用しないでください。用途に合った正しいパワーツールを使用してください。正しいパワーツールを使用した方が、意図された速度でより良く安全に作業を行えます。
- スイッチが機能しない場合はパワーツールを使用しないでください。スイッチで制御できないパワーツールは危険なため、修理する必要があります。
- パワーツールの調整、アクセサリの変更、またはパワーツールの保管前は、電源プラグを外し、パワーツールからバッテリーパックを取り外してください（着脱可能な場合）。予防的な安全対策を行うことで、誤ってパワーツールを始動させる危険性が少なくなります。
- 使用していないパワーツールは子供の手の届かない所に保管して、パワーツールやこの取扱説明書に詳しくない人間がパワーツールを操作しないように注意してください。不慣れなユーザーがパワーツールを扱うと危険です。
- パワーツールとアクセサリをメンテナンスします。可動部品の誤調整や巻き付き、部品の破損やパワーツールの動作に影響する他の状態がないかどうか確認します。破損している場合は、使用する前にパワーツールを修理してください。ほとんどの事故は、正しいメンテナンスを受けていないパワーツールが原因です。
- 切削工具は研いだ状態で清潔に保ちます。正しくメンテナンスされて研いである切削工具は、バインドすることも少なく、制御が簡単です。
- パワーツール、アクセサリ、工具ビットなどは、これらの取扱説明書に従って使用し、作業条件および行う作業を考慮してください。意図されていない作業でパワーツールを使用すると、危険な状況を招くことがあります。
- ハンドル部および保持面は乾燥させて、オイルや油が付着しないようにきれいな状態を保ってください。ハンドルと保持面が滑りやすいと、予期しない状況でパワーツールの安全な取り扱いや制御ができせん。

## バッテリーツールの使用と手入れ

- メーカー指定の充電器のみを使って充電してください。1種類のバッテリーパックのみに適合する充電器は、それ以外のバッテリーパックの充電で使用した場合、火災を起こす恐れがあります。

- 仕様で指定されたバッテリーパックのみでパワーツールを使用してください。それ以外のバッテリーパックを使用すると、怪我や火災を招く危険があります。
- バッテリーパックを使用しないときは、ペーパーリップ、コイン、キー、爪きり、ネジなどの金物、あるいは端子間を短絡するおそれがある他の小さな金物から遠ざけるようにしてください。バッテリー端子の短絡は、火傷や火災を引き起こす恐れがあります。
- 劣悪な環境では、液体がバッテリーから漏れ出すことがあります。そのような場合、液体には触れないようご注意ください。もし万が一誤って触ってしまった場合、水で洗い流してください。液体が目に入ってしまった場合、医師の診察を受けてください。バッテリーから漏れ出した液体は、炎症や火傷を引き起こすことがあります。
- 損傷した、または改造されたバッテリーパックやツールは使用しないでください。損傷した、または改造されたバッテリーは、予測不可能な挙動を起こし、発火や破裂、障害の原因となる可能性があります。
- バッテリーパックやツールを火や高温にさらさないでください。火または 130 °C (266 °F) 以上の温度環境にさらすと爆発する恐れがあります。
- 充電の手順にすべて従い、指示された温度範囲外でバッテリーパックまたはツールを充電しないでください。充電を不適切に行ったり、指定された範囲から外れた温度環境で行ったりした場合、バッテリーの損傷や火災発生危険の増加につながる可能性があります。

## サービス

- パワーツールのサービスは、資格のある修理担当者が同じ交換部品を使って行うようにしてください。こうすることで、パワーツールの安全性を維持できます。
- 損傷したバッテリーパックを決して修理しようとししないでください。バッテリーパックの修理は、製造元または認定サービス代理店しか行えません。

## グラストリマー、刈払機、枝払いソーの安全上の警告

- 悪天候の場合、特に雷発生の危険がある場合は、本製品を使用しないでください。これは、落雷の危険を避けるためです。
- 本製品を使用するエリアの野生動物について十分に調査してください。本製品の動作中に野生動物が負傷する可能性があります。
- 本製品を使用するエリアを十分に調査して、すべての石、枝、ケーブル、骨などの異物を取り除いてください。飛んでくる物によって負傷する可能性があります。
- 本製品を使用する前に、必ずカッターやブレード、およびカッターアセンブリまたはブレードアセンブリに損傷がないことを目視点検してください。パーツに損傷があると、負傷の可能性が高くなります。
- アクセサリーの交換手順に従ってください。ブレードを固定するナットやボルトの締め付けが不適切な

場合、ブレードが損傷したり外れるおそれがあります。

- カッターの定格回転速度は、本製品に刻印される最大回転速度以上でなければなりません。カッターがその定格回転速度を超えて高速稼働すると、壊れて飛散することがあります。
- 目、耳、頭部、手用の保護具を着用してください。適切な保護具を着用することで、飛び散る破片による怪我やナイロンコードやブレードとの接触事故を軽減できます。
- 本製品の操作中は常に滑りにくい保護靴を着用してください。裸足やサンダルで本製品を操作しないでください。動作中のカッター、ナイロンコード、またはブレードに足が接触しないようにすると、負傷の可能性を低減できます。
- 本製品の操作中は、必ず長ズボンを着用してください。肌が見えていると、飛ばされた物体によって負傷する可能性が高くなります。
- 本製品の操作中は、人を近づけないようにしてください。破片が飛んで重大な負傷につながるおそれがあります。
- 本製品を操作するときは、必ず両手を使うようにしてください。両手で本製品を持つと、制御を失うことはありません。
- ナイロンコードやブレードが隠れた配線に接触する可能性があるため、絶縁グリップ面だけを掴んで本製品を持ってください。ナイロンコードやブレードが「通電」している配線に接触すると、本製品の露出している金属部分が「通電」し、作業者が感電するおそれがあります。
- 常に適切な足場を確保して地面に立っているときのみ本製品を操作してください。滑りやすい足場や不安定な足場では、バランスを保ち、本製品を制御するのが難しくなります。
- 本製品は急斜面では使用しないでください。制御が効かずに滑って転倒して負傷する可能性が減少します。
- 斜面で作業する場合は、常に足元を確認して、斜面を上下することは避けて横方向に移動してください。方向を変えるときは特に注意を払ってください。制御が効かずに滑って転倒して負傷する可能性が減少します。
- 本製品の作動中は、体のあらゆる部分をカッター、ナイロンコード、ブレードから遠ざけるようにしてください。本製品の起動前に、カッター、ナイロンコード、ブレードに何も接触していないことを確認してください。本製品の操作中は十分に注意してください。自分自身や他の人が負傷するおそれがあります。
- 本製品は腰よりも上の高さで操作しないでください。そうすることでカッターやブレードが偶発的に何かに接触するのを防ぐことができ、不測の事態でも本製品を適切に制御することが可能になります。
- 張力がかかった低木や若木を伐採する際には、スプリングバックに注意してください。木材繊維の張力が解放されると、低木や若木が作業者を直撃する、または本製品が制御不能になって飛ばされる可能性があります。

- 低木や若木を伐採する際は、細心の注意を払ってください。細長い形状のものがブレードに絡まって、作業者に鞭のように跳ね返ったり、作業者を引っ張ってバランスを崩したりすることがあります。
- 本製品の制御を維持し、作動中のカッター、ナイロンコード、ブレードなどの危険な可動部品に触れないでください。これにより、可動部品による負傷のリスクが低減されます。
- 詰まった物体を取り除くときや本製品を修理するときは、すべての電源スイッチがオフで、電源コードが外れていることを確認してください。詰まった物体を取り除くときや整備作業中に、本製品が予期せず作動すると、重傷につながるおそれがあります。
- 本製品を運ぶ場合は、スイッチをオフにして体から離してください。本製品を適切に取り扱うことで、誤って動作中のカッター、ナイロンコード、ブレードと接触する可能性を抑えることができます。
- 本製品を輸送または保管する際には、必ず金属ブレードにカバーを取り付けてください。本製品を適切に取り扱うことで、誤ってブレードと接触する可能性を抑えることができます。
- メーカー指定の交換用カッター、ナイロンコード、カッティングヘッド、ブレードのみを使用してください。不適切な交換部品を使用すると、破損や負傷の危険が高まります。
- 始動する前に、すべてのカバーやガード、ハンドルを取り付ける必要があります。
- 本製品が正常に動作することを確認してください。すべてのナットとネジが確実に締められているかどうかを確認します。
- トリマーヘッドとトリマーガードに損傷やひびのないことを確認します。トリマーヘッドやトリマーガードが衝撃を受けたり、ひびが入っていたりした場合は交換します。使用するカッティングアタッチメントに推奨のガードを必ず使用してください。参照： *アクセサリー 219* ページ。
- 本製品は、慎重かつ適切に使用しないと、危険な道具となります。本製品により、作業者や付近にいる人が重傷を負う、または死亡するおそれがあります。
- 本機は、正常な体力や感覚、精神力がない人や、経験や知識のない人（子供を含む）の使用を想定していません。ただし、使用者の安全に責任を持つ人物が本機の使用に関して監督や指導をする場合を除きます。子供が本機で遊ばないように、監視する必要があります。
- 本機を子供に使用させたり、本機の付近に子供を近づけたりしないでください。本機は簡単に始動できるため、十分に監視してなければ子供が始動することも可能です。重大な身体的傷害を引き起こす危険があります。そのため、本機が十分な監視下でない場合はバッテリーを外してください。

## その他の一般的な安全情報

- 本製品の電源をオフしてから別のエリアに移動してください。本製品を別の人に渡すときは、必ずバッテリーを外してください。
- 本製品を置くときは、必ず先に電源をオフにして、バッテリーを取り外してください。電源を入れた状態で本製品を放置しないでください。
- 切断ツールは、本製品の電源をオフにした後もすぐには停止しません。
- 本製品の使用前と、何らかの衝撃を受けた後は、磨耗や破損の兆候がないか確認の上、必要があれば修理してください。
- 本製品の操作中に何かカッティングアタッチメントに挟まった場合は、本製品を停止して、電源をオフにしてください。カッティングアタッチメントが完全に停止していることを確認してください。本製品またはカッティングアタッチメントを清掃、点検、または修理する前に、バッテリーを外してください。
- 使用前に本製品を点検してください。参照： *本製品の安全装置 212* ページおよび *メンテナンス 216* ページ。不具合のある製品は使用しないでください。この取扱説明書の内容に従って、安全点検、メンテナンス、サービスを行ってください。
- 故障したカッティングアタッチメントを使用すると、事故の危険性が高まる恐れがあります。
- 汚れやヒビがないかギアを点検します。ブラシを使用してギアから草や葉を落とします。必要に応じて、手袋を着用してください。
- 冷却用空気取り入れ口に物が入らないよう常に注意してください。
- トリマーヘッドが完全にトリマーに装着されているか確認します。
- 子供、または本製品やバッテリーの扱いに不慣れた人が本製品を使用しないようにしてください。
- 本機は、鍵のかかる場所に保管し、子供や、承認を受けていない人が触れることのないようにしてください。
- 常に切断エリアから手足を離し、特にモーターのスイッチをオンにするときは注意してください。
- 本製品の電源をオフにしてカッティングアタッチメントが完全に停止するまで、カッティングアタッチメントに手や足を近づけないようにしてください。
- 本製品が作動しているときやカッティング装置が回転している最中に、切断対象を外したり、他の人が切断対象を外したりすることがないようにしてください。重症事故の原因になる可能性があります。
- 周囲の人やその所有物をさまざまな事故や危険にさらさないようにする責任は、使用者自身にあることを忘れないでください。
- いかなる理由であれ、製造者の承認を得ることなく本製品の設計に変更を加えないでください。常に純正の部品をお使いください。不認可の設計変更や付属品は、使用者やその他の人の重傷や致命傷の原因となることがあります。品質保証されていないアクセサリーや交換部品を使用した場合、損害または製造物責任に対して保証が適用されないことがあります。
- 本製品に使用可能なアクセサリーは、「アクセサリー」の章で推奨されているカッティングアタッチメントのみです。参照： *アクセサリー 219* ページ。
- 何らかの改造を受け、出荷時の仕様と異なっている製品は、絶対に使用しないでください。
- 本製品に不具合がある場合は絶対に使用しないでください。この取扱説明書の内容に従って、安全点検、メンテナンス、サービスを行ってください。メンテ

ナンスやサービスの内容によっては、専門家でない  
ればできないものもあります。詳細は、見出し「メン  
テナンス」の指示を参照してください。

- 悪天候下での作業は疲れやすく、危険性も高まりま  
す。濃霧、豪雨、強風、厳寒、落雷の恐れがあるな  
ど、天候が非常に悪い場合はリスクが高まるため、  
本製品を使用しないことをお勧めします。
- ハシゴ、スツール、その他の不安定な台に乗って作  
業しないでください。
- 使用しないときは、屋内に本製品を保管してくだ  
さい。
- 起こり得る状況をすべて予測し、対応することは不  
可能です。常に注意を払い、常識に合った使用方法  
で操作してください。使用者の能力範囲外であると  
思われる場合は、操作を行わないでください。これ  
らの注意事項を読んだ後でも、不明点などがある場  
合は、使用を続けずに専門コンサルタントにご相談  
ください。
- 作業中は 15 メートル以内の人に動物が近づかない  
ようにしてください。同じエリアに数人の作業者が  
いる場合、安全距離を 15 メートル以上とる必要が  
あります。重傷事故のおそれがあります。誰かが近づ  
いたら、すぐに本製品を停止してください。本製品  
を持って向きを変えるときは、まず後ろを確認して、  
安全距離内に誰もいないように徹底してください。
- 人、動物、その他の物体が本製品の操作を妨げたり、  
カuttingアタッチメントに触れたり、カutting  
アタッチメントによりはじかれた物体に接触し  
たりしないようにしてください。事故のときに助け  
を求めることができない状況では、本製品を使用し  
ないでください。
- 身体の動きが自由に取れ、足場が良いことを確認し  
てください。とっさに身をかわさなければならない  
場合に邪魔になる物(木の根、岩、枝、溝など)が  
周囲にないか確認してください。斜面で作業する場  
合は、特に注意してください。
- 歩きながら操作し、決して走らないでください。
- 作業エリアを点検します。石や割れたガラス、くぎ、  
鋼線、ひもなど、固定されておらず飛ばされたり力  
クッターやカッターガードに絡まったりしそうなもの  
をすべて取り除きます。
- 鋸断中に飛んでくる可能性がある枝の切株に注意し  
てください。石やその他の物が飛ばされるおそれ  
があるため、地面付近で鋸断作業をしないでください。
- 衣服や体の部分が、作動している状態のカutting  
アタッチメントに接触しないようにしてくださ  
い。本製品は腰から下の位置に保持してください。
- 飛んでくる物に気をつけてください。常に認可され  
た防護メガネを着用してください。カuttingア  
タッチメントガードの上に身を乗り出さないでくだ  
さい。石やごみなどが目に入って、失明したり重傷  
を負ったりする可能性があります。
- イヤマフを着用している間は、警告信号や叫び声に  
気をつけてください。エンジンが停止したら、速や  
かにイヤマフを外してください。
- 異常な振動が発生した場合は、適切な長さまで新た  
にコードを引き出し、振動を止めてください。
- 異常な振動を止めた場合は、本製品を停止してバ  
ッテリーを取り外してください。

- 循環器系の弱い人が振動を長期間受け続けると、循  
環器障害や神経障害を起こすことがあります。過度  
の振動を受け続けたために症状が現れた場合は、医  
師の診断を受けてください。症状にはしびれ、感覚  
麻痺、ピリピリ感、刺痛、痛み、脱力感、皮膚の色  
や状態の変化などがあります。これらの症状は通  
常、指や手の甲、手首に現れます。
- 本製品は常に両手で持つてください。本製品は身体  
の右側に保持してください。

## プロテクティブ装具



**警告：** 本製品を使用する前に、以下の警  
告指示をお読みください。

- 本製品を使用するときは、常に、認可された身体保  
護具を着用してください。身体保護具で怪我を完全  
に防止できるわけではありませんが、万が一事故が  
起こった場合、負傷の度合いを軽減することができ  
ます。適切な保護具の選択については、販売店にご  
相談ください。
  - 落下物の危険性がある場合には保護ヘルメットを使  
用してください。
  - 騒音を十分に軽減する認可されたイヤマフを着用し  
てください。長時間騒音にさらされることは、恒久  
的な聴覚障害の原因になることがあります。
  - 認可された防護メガネを使用してください。パイザ  
ーを使用する場合は、認可された防護ゴーグルも使  
用する必要があります。認可された保護メガネは、  
米国の ANSI Z87.1 規格または EU 諸国の EN 166  
に適合しなければなりません。
  - 顔を保護するためにパイザーを使用してください。  
眼の保護にはパイザーでは不十分です。
- (図 19)
- カutting装置の取り付け、点検、清掃を行う場  
合は、必要に応じて保護グローブを着用してくだ  
さい。
  - 丈夫で滑りにくいブーツを着用してください。
  - 丈夫な素材でできた服を着用してください。常に厚  
手の長いズボンと長袖を着用してください。小枝や  
枝が引っかかるようなゆったりした衣服は身につけ  
ないでください。宝飾品、半ズボン、サンダルを着  
用したり、はだして作業したりしないでください。  
安全のため、髪の毛は肩よりも上にまとめてくだ  
さい。
- (図 20)
- 救急器具を近くに準備してください。

(図 21)

## 本製品の安全装置



**警告：** 本製品を使用する前に、以下の警  
告指示をお読みください。

この項では、本製品の安全機能とその目的、本機の正し  
い動作を確保するための点検とメンテナンスの方法につ

いて説明します。本製品の部品の位置については、はじめに 207 ページを参照してください。

本製品のメンテナンスを適切に行わなかったり、専門技術者が整備・修理を行わなかったりすると、本製品の寿命が短くなり、事故発生の危険性が増します。詳しくは、お近くのサービス代理店にお問い合わせください。



**警告：** 安全装置が損傷している製品は決して使用しないでください。本項目の記載に従って、本製品の安全装置の点検、メンテナンスを行ってください。お持ちの製品がこれらの点検項目を一点でも満たさない場合は、お近くのサービス代理店に修理を依頼してください。



**注意：** 本機に関するすべてのサービス、修理には、特別な研修が必須です。本機の安全装置には、特に研修が必要です。本取扱説明書の点検に基づき、本機に不具合が見つかった場合は、サービス代理店に連絡してください。弊社の製品を購入されると、専門的な修理とサービスの提供も保証されます。本機を販売した小売店がサービス代理店ではない場合、最寄りのサービス代理店の住所を小売店にお尋ねください。

## ユーザーインターフェイスのチェック

- スタート / ストップボタン (A) を押し続けます。
  - 製品に電源が入るとディスプレイ (B) が表示されます。(図 22)
  - 製品の電源が切れるとディスプレイが消えます。
- ディスプレイに警告インジケータが表示されている、または点滅している場合は、ユーザーインターフェイス 217 ページを参照してください。

## パワートリガーロックの点検

パワートリガーロックは操作ミスを防ぐためのものです。パワートリガーロックを前方 (A) に押し、次にハンドル (B) に押し込むと、パワートリガー (C) が解放されます。ハンドルから手を放すと、パワートリガーとパワートリガーロックはどちらも元の位置に戻ります。この動作は、個別の 3 つのスプリングで制御されています。(図 23)

- パワートリガーロックが元の位置にあるときに、パワートリガーがロックされていることを確認します。(図 24)
- パワートリガーを押し、指を放すと元の位置に戻ることを確認します。(図 25)
- パワートリガーとパワートリガーロックがスムーズに動き、リターンスプリングが正しく作動することを確認します。
- 本製品を始動します(「操作」(15 ページ)を参照) **本製品の始動方法 215 ページ。**
- 最高速度で使用します。

- パワートリガーを放し、カッピングアタッチメントの回転が止まり、静止することを確認します。

## カッピングアタッチメントガードのチェック方法



**警告：** 認可されたカッピングアタッチメントガードを正しく取り付けしていないカッピングアタッチメントは使用しないでください。使用するカッピングアタッチメントに推奨されるカッピングアタッチメントガードを必ず使用してください。アクセサリー 219 ページを参照してください。間違ったガードや損傷したガードを取り付けると、重傷事故の原因となる恐れがあります。

カッピングアタッチメントガードは、作業者のほうに飛んだ物体から作業者を守ります。また、作業者がカッピングアタッチメントに触って負傷することも防止します。

- 本製品を停止して、バッテリーを取り外します。
- ひびなどの損傷がないか、視認します。(図 26)
- 損傷がある場合は、カッピングアタッチメントガードを交換します。

## トリマーヘッド

- 必ず適切なトリマーヘッド、カッピングアタッチメントと、推奨されるナイロンコードを使用してください。アクセサリー 219 ページと、取扱説明書の「組み立て」を参照してください。
- トリマーガードのカッターに損傷がないことを確認してください。
- 本製品から異常な振動が発生することを防止するため、ナイロンコードをドラムにしっかりと均等に巻くつけてください。コードの長さが異なっていると、不要な振動が発生する可能性があります。トリマーヘッドを開いて、コードの長さを調整します。

コードの寿命を長くするには、組み立てる前に水に 2 日以上浸します。これにより、コードの強度が増します。

## 組み立ての安全注意事項



**警告：** 本製品を使用する前に、これらの指示をよく読み、理解し、遵守してください。

- 本製品を組み立てる前に、本製品からバッテリーを取り外してください。
- 認可された保護手袋を着用してください。
- ガードが損傷していたり、正しく動作しないと、負傷するおそれがあります。認可されたガードが取り付けられていないカッピングアタッチメントは使用しないでください。
- 本製品を始動する前に、カバーとシャフトを正しく取り付けてください。
- ドライブディスクとサポートフランジをカッピングアタッチメントの中央の穴に正しくはめ込む必要

があります。カッティングアタッチメントが正しく取り付けられていないと、負傷や死亡事故につながるおそれがあります。

- アタッチメントにハーネスが付属している場合は、ハーネスを製品に正しく取り付けてください。ハーネスは作業の安全を確保し、作業者や周囲の人の負傷を防止します。

## メンテナンスのための安全注意事項



**警告：** 本製品のメンテナンスを行う前に、以下の警告指示を読んでください。

- メンテナンス、その他の点検、または製品の組み立てを行う前に、バッテリーを取り外してください。
- 作業者は本取扱説明書に記載されているメンテナンスとサービスだけを実施してください。メンテナンスおよびさまざまなサービスについては、サービス代理店にお問い合わせください。

- バッテリーまたはバッテリー充電器は、水で洗淨しないでください。強い洗剤を使用すると、プラスチックの部品が損傷する場合があります。
- メンテナンスを実施しないと、製品の寿命が短くなり、事故の危険性が増します。
- 特に本製品の安全装置については、すべての整備と修理の作業に特殊な訓練が必要です。メンテナンスを実施した後、この取扱説明書の点検項目の中に不合格の項目があった場合は、サービス代理店にお問い合わせください。当社は、お客様の製品のために、プロフェッショナルな修理と整備を提供することを保証します。
- 純正の交換部品のみを使用してください。
- カッティングアタッチメントを修理する際は、常に丈夫な作業用手袋を使用してください。ブレードの刃先は非常に鋭く、触れると怪我をしやすいためご注意ください。

## 組立

### ループハンドルの組み立て方法

1. ループハンドルを、矢印の間の位置で、シャフトに取り付けます。ループハンドルまたはサブペンションリングをラベルに重ねないでください。(図 27)
2. ループハンドルのスロットにスパーサを入れます。
3. ナット、ノブ、ネジを取り付けます。きつく締めないでください。
4. 本製品が快適な位置にくるように調整します。
5. ボルトを締めます。

### カッティング装置の組み立て方法

カッティング装置には、カッティングアタッチメントとカッティングアタッチメントガードが含まれます。



**警告：** 保護グローブを着用してください。



**警告：** カッティングアタッチメント用に推奨されているカッティングアタッチメントガードを必ず使用してください。主要諸元 218 ページを参照してください。



**警告：** カッティングアタッチメントが正しく取り付けられていないと、負傷や死亡事故につながるおそれがあります。

### カッティングアタッチメントガードの取り付け方法

1. カッティングアタッチメントガード (A) をプレートホルダー (B) のフックに取り付けます。(図 28)

2. カッティングアタッチメントガードをシャフトに取り付け、ボルト (C) で締め付けます。

### カッティングアタッチメントガードの取り外し方法

- ボルト (C) を緩めて、シャフトからカッティングアタッチメントガード (A) を取り外します。(図 29)

### トリマーヘッドの組み立て



**警告：** カッティングアタッチメントの取り付け時は、ドライブディスクとサポートフランジの隆起部をカッティングアタッチメントのセンター穴に正しくはめることが極めて重要です。カッティングアタッチメントを正しく取り付けしていない場合、重傷や致命傷につながる可能性があります。



**警告：** 認可されたガードを取り付けていないカッティングアタッチメントは絶対に使用しないでください。参照：アクセサリー 219 ページ。間違ったガードや故障したガードを取り付けると、重傷事故の原因となる恐れがあります。

### トリマーヘッドの取り付け方法

1. 出力シャフトにドライブディスク (B) を取り付けます。
2. 出力シャフトを回し、ドライブディスクの穴の 1 つをギアハウジングの対応する穴に合わせます。
3. ロックピン (C) を穴に取り付け、シャフトをロックします。
4. トリマーヘッド (H) を反時計回りに回して取り付けます。(図 30)

## トリマーヘッドの取り外し方法

1. ロックピン (C) を穴に取り付け、シャフトをロックします。
2. トリマーヘッド (H) を時計回りに回して取り外します。

3. 出力シャフトからドライブディスク (B) を取り外します。(図 30)

## Operation ( 操作 )

### はじめに



**警告：** 本製品を使用する前に、安全に関する章を読んで理解してください。

### バッテリーの取り付け方法



**警告：** 本製品には、Husqvarna の純正バッテリーのみを使用してください。

1. バッテリーがフル充電されていることを確認してください。
2. バッテリーを本製品のバッテリーホルダーに押し込みます。バッテリーがロックされると、カチッという音がします。(図 31)



**注意：** バッテリーがバッテリーホルダーにスムーズに入らない場合は、バッテリーが正しく取り付けられていません。本製品が損傷する場合があります。

3. バッテリーが正しく取り付けられていることを確認してください。

### 作業位置

- 本製品は両手で持ってください。
- 本製品は身体の右側に保持してください。
- カuttingアタッチメントは腰から下の位置のままにしてください。
- 熱くなっている表面から身体を離すようにしてください。
- 身体をCuttingブレードから離すようにしてください。

### 本製品を操作する前に

- 作業エリアの地形の様子や地面の傾斜を調査し、石、枝、溝などの障害物の有無を確認します。
- 本製品の分解検査を実施してください。
- 本書に記載されている安全注意事項、メンテナンスおよびサービスを実施してください。
- カバー、ガード、ハンドル、Cutting装置のいずれにも損傷がなく、正しく取り付けられていることを確認します。
- サポートフランジにひびがないかを点検します。損傷している場合は、サポートフランジを交換します。

(図 32)

- トリマーヘッドとCuttingアタッチメントガードに損傷やひびがないか点検します。損傷やひびがある場合は、トリマーヘッドとCuttingアタッチメントガードを交換します。

(図 33)

### 本製品の始動方法

1. 緑色の LED ランプが点灯するまで、START ボタンを長押しします。(図 34)
2. パワートリガーを使用して、速度を制御します。

### モードボタンによる最高速度の制限

本製品にはモードボタンが付いています。モードボタンを使用して、最高速度を制限できます。モードボタンには 3 段階の速度レベルがあります。レベルを低くすると、製品の動作時間が長くなります。最高速度 / 最大出力を必要としない場合は、レベル 1 とレベル 2 を使用します。作業条件によりフルスピードまたはフルパワーが必要な場合は、レベル 3 を使用します。作業に必要なレベルより高いレベルを使用しないでください。

1. モードボタンを押して、制限速度を最高速度に設定します。白色の LED が点灯して、機能がオンであることを示します。(図 35)
2. モードボタンをもう一度押して、次の速度レベルを選択します。

### 自動シャットダウン機能

本製品には、未使用時にオフになるシャットダウン機能が搭載されています。

### トリマーヘッドを使用した芝生のトリミング

#### トリミングする場合

1. 地表すれすれのところで角度をつけてトリマーヘッドを保持します。(図 36) 刈払機を草の中に押し込まないでください。
2. 障害物の近くにある草を刈るときは、80 % の回転数にしてください。(図 37)

#### 草を刈る場合

1. 刈る際には刈払機を地面と平行に保持してください。(図 38)
2. トリマーヘッドを地面に押し当てないでください。地面と本製品が損傷する可能性があります。

- トリマーヘッドが地面に接し続けることがないようにしてください。トリマーヘッドが損傷する可能性があります。
- 本製品を左右に振って草を刈る際は、最高速度にしてください。(図 39) 刈払機を地面と平行に保持してください。

### 草を吹き飛ばす場合

刈払機の回転するコードによる気流で、刈った草をエア外に吹き飛ばすことができます。

- トリマーヘッドとナイロンコードを、地表すれすれのところで、地面と平行に保持します。
- 最高速度で使用します。
- トリマーヘッドを左右に動かし、草を吹き飛ばします。



**警告：** ハンドルのバランスを取って振動を抑えるために、新しいナイロンコードを取り付けるつど、トリマーヘッドカバーを清掃してください。トリマーヘッドの他の部分もチェックし、必要に応じて清掃してください。

### 本製品の停止方法

- パワートリガーまたはパワートリガーロックを放します。
- STOP ボタンを押します。(図 34)
- バッテリーリリースボタンを押して、バッテリーを取り出します。(図 40)

## メンテナンス

### はじめに



**警告：** メンテナンス作業を行う前に、安全に関する章をお読みになり、内容を理解してください。

### メンテナンスのスケジュール



**警告：** メンテナンスを実行する前にバッテリーを外してください。

本製品に必要なメンテナンス手順のリストは以下のとおりです。

メンテナンス	毎日	毎週	毎月
乾いた布で製品外側の部品を清掃してください。水は使わないでください。	X		
START/STOP ボタンが正しく機能し、損傷がないことを確認します。	X		
パワートリガーとパワートリガーのロック機能が、安全面から見て正しく作動することを確認します。	X		
コントロールがすべて機能し、損傷がないことを確認します。	X		
ハンドルは乾燥した清潔な状態に保ち、オイルやグリスが付着しないようにしてください。	X		
カッティングアタッチメントに損傷がないことを確認してください。損傷がある場合は、カッティングアタッチメントを交換してください。	X		
カッティングアタッチメントガードまたはナイフに損傷がないことを確認してください。損傷がある場合は、カッティングアタッチメントガードまたはナイフを交換してください。	X		
ネジとナットが確実に締められていることを確認します。	X		
バッテリーリリースボタンが正常に作動し、本製品にバッテリーをロックできるか確認してください。	X		
バッテリーに損傷がないことを確認してください。	X		
バッテリーが充電されていることを確認してください。	X		
バッテリー充電器に損傷がなく、正しく動作することを確認します。	X		
すべてのケーブル、カップリング、接続部を点検してください。損傷がなく、汚れが付着していないことを確認してください。		X	



メンテナンス	毎日	毎週	毎月
ベベルギアにグリースが適切に充填されていることを確認します。参照: ベベルギアの潤滑方法 217 ページ。適切に充填されていない場合は、Husqvarna ベベルギアグリースを使用してください。		X	
バッテリーと本製品の接続を確認します。バッテリーとバッテリー充電器の接続を確認します。			X

## 製品、バッテリー、およびバッテリー充電器の清掃方法

1. 使用後は、製品を乾いた布で拭いてください。
2. バッテリーとバッテリー充電器を、乾いた布で拭いてください。バッテリーガイドトラックは清潔さを保ってください。
3. バッテリーをバッテリー充電器や本製品に入れる前に、バッテリーとバッテリー充電器の端子に汚れないことを確認してください。

## ベベルギアの潤滑方法

1. カutting装置を取り外します。
2. グリースプラグを付けた製品をなるべく高い位置に置きます。

3. グリースプラグを取り外します。(図 41)
4. グリースプラグホールの中を見てドライブシャフトを回します。グリースの高さ (A) はギアコグ (B) の上部と同じでなければなりません。(図 42)
5. グリースの面が低すぎる場合は、ベベルギアに Husqvarna のベベルギアグリースを充填してください。ドライブシャフトを回しながら、ベベルギアグリースが適切な高さ (B) になるまでゆっくり充填します。



**注意：** グリースの量が適切でない場合、ベベルギアが損傷する可能性があります。

6. グリースプラグを取り付けます。

## トラブルシューティング

### ユーザーインターフェイス

問題	想定される障害	対応措置
バッテリー LED インジケータがオレンジ色に点滅	バッテリーの電圧が下がっています。	バッテリーを充電してください。
エラー LED が赤色に点滅	過負荷。	Cuttingアタッチメントが詰まっています。本製品を停止します。バッテリーを外します。不要なものを取り除いてCuttingアタッチメントを清掃してください。
	温度範囲外です。	本製品を冷却してください。
	パワートリガーと作動ボタンが同時に押されている。	パワートリガーを放すと、本製品は作動状態になります。
製品が始動しない	バッテリーコネクタが汚れている。	バッテリーコネクタを圧縮空気がブラシを使用して清掃します。
エラー LED が赤く点灯	製品を点検する必要があります。	サービス代理店に問い合わせてください。

## 搬送、保管、廃棄

### 搬送と保管

- 同梱のリチウムイオンバッテリーは、危険物の規制に関する規則に準拠しています。

- 民間の運送業者による商用輸送においては、梱包およびラベル付けに関して所定の要件に従ってください。

- 本製品を発送する前に、危険物に関して特別な訓練を受けた担当者にご相談ください。該当するすべての国内規制に従ってください。
- バッテリーを梱包するときは、露出している端子にテープを貼ってください。バッテリーを固定し、動かないように梱包してください。
- 保管するときや搬送時はバッテリーを外してください。
- バッテリーとバッテリー充電器は、乾燥して湿気や霜がない場所に置いてください。
- 静電気が発生するような場所にはバッテリーを保管しないでください。バッテリーは金属製の箱に保管しないでください。
- バッテリーは温度が 5 ~ 25°C ( 41 ~ 77°F ) の場所に保管し、直射日光から遠ざけてください。
- バッテリー充電器は温度が 5 ~ 45°C ( 41 ~ 113°F ) の場所に保管し、直射日光から遠ざけてください。
- バッテリー充電器は、周囲温度が 5°C ~ 40°C の場合のみ使用してください。
- バッテリーを長期間保管するときは、充電量を 30 ~ 50 % にしてください。
- バッテリー充電器は、密閉した乾いた場所に保管してください。
- バッテリーの保管中は、バッテリー充電器から遠ざけてください。子供や許可されていない他の人が機器に触れないようにしてください。施錠できる場所に装置を保管してください。
- 製品を長期間保管する場合は、その前に製品を清掃し、よく点検しておいてください。
- 搬送中および保管中に製品が傷ついたり損傷したりしないように、製品の移動用ガードを使用してください。
- 搬送中は製品をしっかりと固定してください。

## バッテリー、バッテリー充電器、および製品の廃棄

本製品や本製品パッケージ上のマークは、本製品が家庭ゴミではないことを示します。電気・電子機器の再利用を行うため、リサイクル営業所に引き渡します。これにより環境や人への被害を防ぐことができます。

本製品のリサイクルの詳細については、地方自治体、廃棄物処理業者または販売店にお問い合わせください。

## 主要諸元

### 主要諸元

	<b>325iL</b>
<b>モーター</b>	
モータータイプ	BLDC ( ブラシレス ) 36 V
出カシャフト速度、1/min	5,800
刈幅、mm	420
<b>質量</b>	
質量 ( バッテリー、カッティングアタッチメントを除く )、kg	3.0
<b>騒音排出</b> <sup>40</sup>	
音響パワーレベル、測定 dB ( A )	93
音響パワーレベル、保証 L <sub>WA</sub> dB ( A )	96
<b>騒音レベル</b> <sup>41</sup>	
使用者の聴覚の等価音圧レベル。ISO 50636-222868 に従った計測値、dB ( A ):	

<sup>40</sup> 環境における騒音の排出は、EC 指令 2000/14/EC に従って、音響パワー ( LWA ) として測定。本機の騒音レベル報告値は、最高レベルとなるオリジナルのナイロンガードを使用して計測されました。保証音響と計測音響の違いは、保証音響に計測結果のばらつきと、同じモデルの異なる刈刈機間の変動が含まれているためです。これは指令 2000/14/EC に則っています。

<sup>41</sup> 報告データでは、本機の音圧レベルの一般的な統計上のばらつき ( 標準偏差 ) は 3 dB ( A ) です。これは、最高レベルの純正のアタッチメントを使用して測定されています。

	325iL
トリマーヘッド ( 純正 ) 装着時	84
<b>振動レベル</b> <sup>42</sup>	
ハンドルの等価振動レベル。ISO 22867 に従った計測値、m/s <sup>2</sup>	
トリマーヘッド ( 純正 ) を装着した状態、前 / 後、m/s <sup>2</sup>	4.3/2.9

## 認可されたバッテリー

<b>バッテリー</b>	<b>BLi 200</b>
型式	リチウムイオン
バッテリー容量、Ah	5.2
公称電圧、V	36
重量、kg	1.3

## 認可されたバッテリー充電器

<b>バッテリー充電器</b>	<b>QC330</b>
入力電圧、V	100-240
周波数 ( Hz )	50/60
電力 ( W )	330

---

## アクセサリ

---

### アクセサリ

認可されたアクセサリ	アクセサリタイプ	カッティングアタッチメントガード、部品番号
ブレード / ナイフのセンター穴、Ø 25.4 mm		
出カシャフトネジ M10		
トリマーヘッド	T35 ( ウィスパーツイストナイロ ンコード、最大 Ø 2.4 mm )	597 01 62-02

<sup>42</sup> 報告データによれば、等価振動レベルの一般的な統計上のばらつき ( 標準偏差 ) は、2 m/s<sup>2</sup> です。バッテリー製品および燃焼機関製品の振動レベルの比較には、振動カルキュレータを使用しています ( <https://www.husqvarna.com/uk/services-solutions/vibration-calculator/> )。

# 適合宣言

## EU 適合宣言

ハスクバーナ社 ( Husqvarna AB, SE-561 82 Huskvarna, Sweden、電話番号 : +46-36-146500 ) は、単独責任のもとで、以下の製品の適合を宣言します。

名称	バッテリー式グラストリマー
ブランド	Husqvarna
タイプ / モデル	325iL
ID	2023 年以降の製造番号

が以下の EU 指令および規制を完全に順守し、

指令 / 規制	名称
2006/42/EC	「機械類に関する」
2014/30/EMC	「電磁環境適合性に関する」
2011/65/EU	「有害物質の制限に関する」
2000/14/EC	「屋外の騒音に関する」

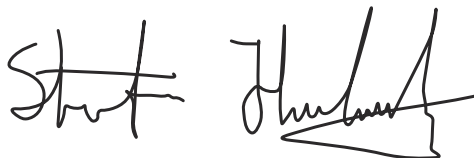
および以下の規格または技術仕様が適用されています。  
EN 62841-1:2015/AC:2015, EN 62841-4-4 (IEC 62841-4-4:2020), EN 61000-6-1:2007 (Immunity), EN 61000-6-3:2007/A1:2011/AC:2012 (Emission)。

RISE SMP Svensk Maskinprovning AB, Box 4053, SE-904 03 Umeå, Sweden は 2006/42/EC の付録 IX に準拠した自主試験を実施済みです。証明書番号 : SEC/23/2579。

Notified body: 0404, RISE SMP Svensk Maskinprovning AB, Box 4053, SE-904 03 Umeå, Sweden は評議会指令 2000/14/EC の付録 VI への同意も確認済みです。

騒音排出に関する詳細 : 主要諸元 218 ページ。

Huskvarna, 2022-12-01



Stefan Holmberg、研究開発責任者、技術管理、ハスクバーナ社

正式代表兼技術文書担当



# TURINYS

Įvadas.....	221	Transportavimas, saugojimas ir utilizavimas.....	232
Sauga.....	222	Techniniai duomenys.....	232
Surinkimas.....	228	Priedai.....	234
Naudojimas.....	229	Atitikties deklaracija.....	235
Techninė priežiūra.....	230	Priedas .....	447
Gedimai ir jų šalinimas.....	231		

## Įvadas

### Gaminio aprašas

Husqvarna 325iL yra akumuliatorinė žoliapjovė su elektriniu varikliu.

Nuolat stengiamės padidinti jūsų saugumą ir eksploatacijos efektyvumą. Dėl išsamesnės informacijos prašome kreiptis į savo techninės priežiūros atstovą.

### Numatytasis naudojimas

Įrenginys naudojamas žoliapjovės galvute įvairių rūšių augmenijai pjauti. Nenaudokite gaminio kitiems darbams, išskyrus žolės pjovimą ir žolės valymą.

### Gaminio apžvalga

(Pav. 1)

1. Naudojimo instrukcija
2. Kampinė pavara
3. Kiaurymė fiksavimo kaiščiui
4. Žoliapjovės galvutė
5. Pjovimo įtaiso apsauginis elementas
6. Varantysis diskas
7. Kombinuotasis veržliaraktis
8. Kilpinė rankena
9. Rankenėlė
10. Velenas
11. Fiksavimo smeigė
12. Įspėjamojo šviesos diodo indikatorius
13. Paleidimo / stabdymo mygtukas
14. Greičio režimo mygtukas
15. Maitinimo jungiklio fiksatorius
16. Naudotojo sąsaja
17. Maitinimo jungiklis
18. Akumuliatoriaus įkroviklio laidas
19. Akumuliatoriaus įkroviklis
20. Maitinimo ir įspėjamojo šviesos diodas
21. Baterijos nuėmimo mygtukai
22. Akumuliatorius
23. Įkrovos būsenos šviesos diodas
24. Įspėjamojo šviesos diodas
25. Akumuliatoriaus indikacinis mygtukas

**Pasižymėkite:** Naudojimas gali būti reglamentuojamas nacionalinėmis arba vietos taisyklėmis. Laikykitės nustatytų taisyklių.

Įrenginį naudokite tik su įrenginio patvirtintais priedais.  
*Žr. Priedai psl. 234*

### Simboliai ant gaminio

- (Pav. 2) [SPĖJIMAS! Šis gaminys gali būti pavojingas. Aplaidžiai ar netinkamai naudojant gali būti sunkiai ar net mirtinai sužeistas naudotojas ar kiti žmonės. Todėl ypač svarbu perskaityti ir suprasti šias naudojimosi instrukcijas. Prieš naudodami gaminį atidžiai perskaitykite naudojimo instrukciją ir įsitinkinkite, ar viską gerai supratote.
- (Pav. 3) Naudokite patvirtintas apsaugines ausines. Naudokite patvirtintas akių apsaugos priemones.
- (Pav. 4) Maks. greitis arba greitis be apkrovos.
- XXXX /min. arba min<sup>-1</sup> | Apsisukimų arba judesių skaičius per minutę.
- (Pav. 5) Vardinė įtampa, V
- (Pav. 6) Nuolatinė srovė.
- (Pav. 7) Šis gaminys atitinka taikomas EB direktyvas.

(Pav. 8)	Šis gaminys atitinka taikytinų JK reglamentų nuostatas.	akis, jeigu nenaudojate rekomenduojamos saugos įrangos.
(Pav. 9)	Naudokite patvirtintas apsaugines pirštines.	(Pav. 14) Prieš atikdami techninę apžiūrą atjunkite akumuliatorių.
(Pav. 10)	Avėkite patvarius, neslystančius batus.	(Pav. 15) Įrenginys apsaugotas nuo vandens pusrų.
(Pav. 11)	Naudokite tik nemetalinius lanksčius pjovimo įtaisus.	(Pav. 16) Jokia kūno dalimi nesilieskite prie įkaitusių paviršių.
(Pav. 12)	Ant produkto ar ant jo pakuotės pateikti simboliai rodo, kad šio gaminio negalima išmesti kartu su buitinėmis atliekomis. Šį produktą reikia atiduoti į tinkamą perdirbimo įstaigą.	(Pav. 17) Triukšmo emisijos į aplinką ženklinimas atitinka ES ir JK direktyvas bei reglamentus ir Naujojo Pietų Velso įstatymą „2017 m. aplinkos apsaugos (triukšmo kontrolės) reglamentas“. Gaminio garantuotasis garso galios lygis nurodytas <i>Techniniai duomenys psl. 232</i> .
(Pav. 13)	Įtaisas gali stipriai išsviesti objektus, kurie gali atšokti atgal, ir sunkiai sužaloti	

yyyywwxxxx

Nominalių parametrų plokštelėje nurodytas serijos numeris. **yyyy** yra pagaminimo metai, **ww** yra pagaminimo savaitė, o **xxxx** yra eilės numeris.

(Pav. 18)

Naudotojas turi stebėti, kad nei žmonės, nei gyvūnai neprisiartintų arčiau kaip 15 metrų atstumu. Jeigu toje pačioje vietoje dirba keli naudotojai, tarp jų reikia išlaikyti ne mažesnę kaip 15 m atstumą.

**Pasižymėkite:** Kiti ant gaminio pateikti simboliai (lipdukai) nurodo kitų komercinių teritorijų sertifikavimo reikalavimus.

## Produkto pažeidimai

Mes neatsakome už mūsų gaminio sugadinimą, jei:

- gaminys netinkamai suremontuotas;
- gaminys suremontuotas naudojant kito gamintojo arba gamintojo nepatvirtintas dalis;
- gaminys turi kito gamintojo arba gamintojo nepatvirtintą priedą;
- gaminys suremontuotas ne patvirtintame techninės priežiūros centre arba jį suremontavo ne patvirtintas atstovas.

## Sauga

### Saugos ženklų reikšmės

Įspėjimai, perspėjimai ir pastabos yra skirtos atkreipti dėmesį į ypač svarbias vadovo dalis.



**PERSPĖJIMAS:** Naudojamas, kai naudotojui ar šalia esantiems asmenims kyla mirtino arba sunkaus sužeidimo pavojus arba, jei nesilaikoma vadove pateiktų nurodymų.



**PASTABA:** Naudojamas, kai kyla pavojus sugadinti gaminį, kitas medžiagas arba padaryti žalą aplinkai, jei nesilaikoma vadove pateiktų nurodymų.

**Pasižymėkite:** Naudojamas papildomai informacijai apie konkrečią situaciją pateikti.

### Bendrieji saugos įspėjimai naudojant elektrinius įrankius



**PERSPĖJIMAS:** Perskaitykite visus saugos nurodymus, instrukcijas, iliustracijas ir specifikacijas, pateikiamas su šiuo elektriniu įrankiu. Nesilaikydami toliau nurodytų instrukcijų galite sukelti gaisrą, gauti elektros smūgį ir (ar) rimtai susižeisti.

- Saugokite visus įspėjimus ir instrukcijas, nes jų gali prireikti vėliau. Terminas „elektros įrankis“ įspėjimuose reiškia iš elektros tinklo maitinamą (laidinį) elektros įrankį arba akumuliatoriumi maitinamą (belaidį) elektros įrankį.

## Sauga darbo vietoje

- **Darbo vieta turi būti švari ir gerai apšviesta.** Netvarkingose arba tamsiose darbo vietose dažnai įvyksta nelaimės.
- **Nenaudokite elektros įrankių sprogiose aplinkose, pavyzdžiui, ten, kur yra lengvai užsidegančių skysčių, dujų arba dulkių.** Elektros įrankiai kibirkščiuoja, todėl gali užsiliepsnoti dulkės arba garai.
- **Naudodami elektros įrankį, neleiskite artai būti vaikams ir pašaliniais asmenims.** Išsiblaškę galite prarasti įrenginio kontrolę.

## Elektrosauga

- **Elektrinių įrankių kištukai turi atitikti elektros lizdus.** Niekada nebandykite kokių nors būdu perdaryti kištuko. Jei naudojate įžemintus elektros įrankius, nenaudokite jokių kištukų adapterių. Jeigu kištukai nėra perdaryti ir atitinka elektros lizdus, elektros smūgio pavojus yra mažesnis.
- **Nesilieskite prie elektros laidininkų paviršių, pavyzdžiui, vamzdžių, radiatorių, viryklių ir šaldytuvų.** Jei kūnas taps elektros laidininku, iškils elektros smūgio pavojus.
- **Nelaikykite elektrinių įrankinių lietuje arba drėgnoje aplinkoje.** Į elektrinį įrenginį patekęs vanduo padidina elektros smūgio pavojų.
- **Tinkamai naudokite laidą.** Niekada neneškite įrankio laikydami už laido, netraukite jo ir nebandykite traukdamai už jo ištraukti elektrinio įrankio kištuką. Laikykite laidą atokiai nuo šilumos šaltinių, tepalų, aštrių briaunų ar judančių dalių. Dėl pažeistų arba susipainiojusių laidų padidėja elektros smūgio rizika.
- **Jei elektrinį įrankį naudojate lauke, naudokite lauke skirtą naudoti ilgintuvą.** Naudojant lauke skirtą naudoti ilgintuvą, sumažėja elektros smūgio rizika.
- **Jeigu elektrinį įrankį būtina naudoti drėgnoje aplinkoje, naudokite liekamosios srovės įtaisų (LSI) apsaugotą maitinimo šaltinį.** Naudojant LSI, sumažėja elektros smūgio pavojus.

## Asmens sauga

- **Naudodami elektros įrankį, būkite budrūs, stebėkite savo veiksmus ir vadovaukitės sveiku protu.** Nenaudokite elektros įrankio, jei esate pavargę, apsvaigę nuo narkotikų, alkoholio arba vaistų. Dirbant elektros įrankiais netgi akimirksniu neatidumo gali tapti sunkaus sužeidimo priežastimi.
- **Naudokite asmenines apsaugines priemones.** Visuomet užsidėkite akių apsaugos priemones. Dėl atitinkamomis sąlygomis naudojamų apsauginių priemonių, pavyzdžiui, respiratorių, neslystančių apsauginių batų, šalmo arba apsauginių ausinių, sumažėja sužeidimų rizika.
- **Saugokitės atsitiktinio įsijungimo.** Prieš prijungdami įrenginį prie maitinimo šaltinio ir (arba) akumuliatorių bloko, paimdami arba nešdami įrenginį, įsitikinkite, kad jungiklis yra išjungimo padėtyje. Jei nešite elektros įrankį laikydami pirštą ant jungiklio ar

prijungsite jį prie maitinimo šaltinio, kai jungiklis yra įjungimo padėtyje, gali įvykti nelaimingas atsitikimas.

- **Prieš jungdami elektros įrankį, pašalinkite iš jo visus reguliavimo raktus ar veržliarakčius.** Besisukančioje elektros įrankio dalyje paliktas veržliaraktis arba raktas gali sužeisti.
- **Per plačiai neužsimokite. Visada tvirtai stovėkite ant kojų ir laikykite pusiausvyrą.** Tokiu būdu geriau kontroliuosite elektros įrankį netikėtose situacijose.
- **Apsirenkite tinkamai. Niekada nedėvėkite palaidų drabužių ar papuošalų. Ne laikykite plaukų ir drabužių artį judančių dalių,** Palaidi drabužiai, papuošalai arba ilgi plaukai gali įkliūti į judančias dalis.
- **Jeigu naudojate įtaisus, skirtus dulkių surinkimo įrenginiams prijungti, įsitikinkite, kad jie tinkamai prijungti ir naudojami.** Naudojant dulkių surinkimo įrenginius, sumažėja su dulėmis susijusių pavojų rizika.
- **Įgudę naudotis įrankiais ir prie jų pripratę nenustokite paisyti įrankių saugos principų.** Dėl neatsargių veiksmų galite sunkiai susižeisti vos per akimirka.

## Elektros įrankių naudojimas ir priežiūra

- **Dirbdami su elektros įrankiu nenaudokite jėgos.** Naudokite savo darbui tinkamą elektros įrankį. Naudojant tam tikslui skirtą elektros įrankį, darbas bus atliktas saugiau ir greičiau.
- **Jeigu paspaudus jungiklį elektros įrankis neįsijungia arba neišsijungia, nenaudokite įrankio.** Elektros įrankis, kurio nepavyksta tinkamai valdyti jungikliu, kelia pavojų ir turi būti taisomas.
- **Prieš reguliuodami elektros įrankius, keisdami priedus arba padėdami saugoti, ištraukite maitinimo laido kištuką iš elektros lizdo ir (arba) išimkite akumuliatorių bloką, jei jį galima išimti.** Laikantis šių prevencinės apsaugos priemonių, sumažėja netyčinio elektros įrankio įjungimo rizika.
- **Nenaudojamus elektros įrankius laikykite vaikams nepasiekiamoje vietoje ir neleiskite naudoti elektros įrankio asmenims, kurie nemoka juo naudotis arba nėra susipažinę su šiomis instrukcijomis.** Nekvalifikuotų naudotojų rankose elektros įrankiai yra pavojingi.
- **Priziūrėkite elektrinius įrankius ir priedus.** Patikrinkite, ar sureguliuotos ir nestringa judančios dalys, ar nėra sulūžusių dalių ir kitų veiksmių, kurie gali daryti įtaką elektros įrankio veikimui. Prieš naudojant, sugedusį elektros įrankį reikia sutaisyti. Daug nelaimingų atsitikimų įvyksta dėl netinkamai prižiūrimų elektros įrankių.
- **Pjovimo įrankiai turi būti pagalasti ir švarūs.** Tinkamai prižiūrimi pjovimo įrankiai su aštriomis pjovimo briaunomis rečiau užstringa ir juos paprasčiau valdyti.
- **Elektros įrankius, priedus, įrankių galštuvus ir pan. naudokite taip, kaip nurodyta šiose instrukcijose, atsižvelgdami į darbo sąlygas ir atliekamą darbą.** Naudodami elektros įrankį ne pagal paskirtį, galite sukelti pavojingą situaciją.

- **Rankenos ir laikomieji paviršiai visuomet turi būti sausi ir švarūs (neištepti alyva ar tepalais).** Slidžios rankenos ir laikymosi paviršiai neleidžia saugiai valdyti ir kontroliuoti netikėtose situacijose.

## Akumuliatorinių įrankių naudojimas ir priežiūra

- **Akumulatorius kraukite tik gamintojo nurodytu įkrovikliu.** Įkroviklis, tinkamas vienam akumuliatorių blokui, gali sukelti gaisro pavojų, naudojamas kitam akumuliatorių blokui įkrauti.
- **Elektros įrankius naudokite tik su jiems skirtais akumuliatorių blokais.** Naudojant bet kokį kitą akumuliatorių bloką kyla sužeidimo ir gaisro pavojus.
- **Nenaudojamą akumuliatorių bloką laikykite toliau nuo metalinių daiktų, galinčių sukurti jungtį tarp gnybtų, pavyzdžiui sąvaržėlių, monetų, raktų, vinių, varžtų ir kitų smulkių metalinių daiktų.** Trumpai sujungus akumuliatoriaus gnybtus gali kilti gaisras arba galite nudegti.
- **Esant nepalankioms sąlygoms, iš akumuliatoriaus gali imti tekėti skystis. Nelieskite jo. Ant odos netyčia patekusį skystį nuplaukite vandeniu. Skysčiai patekus į akis kreipkitės medicininės pagalbos.** Iš akumuliatoriaus ištekėjęs skystis gali sudirginti arba nudeginti.
- **Nenaudokite pažeisto arba modifikuoto akumuliatorių bloko arba įrankio.** Naudojant pažeistus ar modifikuotus akumuliatorius, jų veikimas gali būti neprognozuojamas ir jie gali sukelti gaisrą, sprogimą ar sužaloti.
- **Saugokite akumuliatorių bloką arba įrankį nuo ugnies ir didelės temperatūros.** Sąlytis su ugnimi arba 130 °C (266 °F) temperatūra gali sukelti sprogimą.
- **Laikykities visų įkrovimo nurodymų ir neįkraukite akumuliatorių bloko ar įrankio, esant nurodytame diapazone neišsitenkančiai temperatūrai.** Netinkamai įkraunant arba esant nurodytame diapazone neišsitenkančiai temperatūrai gali būti pažeistas akumuliatorius ir padidėti gaisro tikimybė.

## Techninė priežiūra

- **Elektros įrankio techninę priežiūrą privalo atlikti kvalifikuotas remonto specialistas, naudodamas tik tokias pačias pakaitines dalis.** Tokiu būdu bus užtikrinta elektros įrankio sauga.
- **Niekada neapžiūrėkite pažeistų akumuliatorių blokų.** Akumuliatorių blokų techninę priežiūrą gali atlikti tik gamintojas arba įgalioti paslaugų teikėjai.

## Žoliapjovės, krūmapjovės ir krūmapjovės pjūklo saugos įspėjimai

- **Nenaudokite įrenginio blogomis oro sąlygomis, ypač jei yra žaibo pavojus.** Taip sumažinsite pavojų būti nutrenktiems žaibo.
- **Kruopščiai apžiūrėkite plotą, kuriame bus naudojamas įrenginys, ar nėra laukinių gyvūnų.** Veikiantis įrenginys gali juos sužeisti.
- **Nuodugniai patikrinkite vietą, kur bus naudojamas įrenginys, ir pašalinkite akmenis, pagalius, laidus,**

**kaulus ir kitus pašalinius objektus.** Išsviedžiami daiktai gali sužaloti.

- **Prieš naudodami įrenginį visada patikrinkite, ar pjaustytuvas arba peilis ir pjaustytuvo arba peilio agregatas nepažeisti.** Dėl apgadintų dalių didėja sužeidimo pavojus.
- **Vadovaukitės priedų keitimo instrukcijomis.** Netinkamai priveržus peilio tvirtinimo varžles ar varžtus peilis gali būti sugadintas arba jis gali nukristi.
- **Vardinis pjaustytuvo sukimosi greitis turi būti lygus bent jau maksimaliam sukimosi greičiui, nurodytam ant įrenginio.** Didesniu nei vardinio sukimosi greičiu besisukantys pjaustytuvai gali sulūžti ir išlėkti į šalis.
- **Dėvėkite akių, ausų, galvos ir rankų apsaugos priemonės.** Tinkamos apsaugos priemonės sumažina sužeidimo pavojų skriejant atplaisoms ar atsitiktinio prisilietimo prie pjovimo lynelio ar peilio pavojų.
- **Dirbdami su įrenginiu visada avėkite neslystantčius apsauginius batus. Nenaudokite įrenginio basi arba avėdami atvirą avalynę.** Tokiu būdu sumažinsite pavojų susižeisti kojas dėl sąlyčio su judančiu pjaustytuvu, lyneliu ar peiliu.
- **Dirbdami su įrenginiu visada mūvėkite ilgas kelnes.** Dirbant atidengta oda, didėja tikimybė susižeisti dėl išsviedžiamų objektų.
- **Naudojant įrenginį pašaliniai asmenys turi laikytis atokiau.** Išmetamos nuopjovos gali sunkiai sužeisti.
- **Naudodami įrenginį visada darbus atlikite dviem rankomis.** Įrenginį laikykite abiem rankomis, kad neprarastumėte jo kontrolės.
- **Įrenginį laikykite tik už izoliuoto rankenų paviršiaus, nes pjovimo lynelis arba peilis gali priliesti paslėptus laidus.** Pjovimo lyneliui ar peiliams palietus laidą, kuriuo teka elektros srovė, įtampa gali pasiekti atviras įrenginio metalines dalis, todėl operatorius gali patirti elektros smūgį.
- **Visada tvirtai stovėkite ant kojų, o darbus įrenginiu atlikite tik stovėdami ant žemės.** Stovėdami ant slidžių ar nestabilių paviršių galite prarasti pusiausvyrą arba nesuvaldyti įrenginio.
- **Nenaudokite įrenginio ant pėmelį stačių šlaitų.** Tokiu būdu sumažės pavojus nesuvaldyti įrenginio, paslysti ir nugriūti, tad išvengsite sužalojimų.
- **Dirbdami šlaituose visada įsitinkinkite, kad tvirtai stovite, šlaitu visada kilkite horizontaliai, niekada nedirbkite judėdami aukštyn ir žemyn, būkite ypač atsargūs keisdami judėjimo kryptį.** Tokiu būdu sumažės pavojus nesuvaldyti įrenginio, paslysti ir nugriūti, tad išvengsite sužalojimų.
- **Atlikdami darbus įrenginiu visas kūno dalis saugokite nuo pjaustytuvo, lynelio ar peilio. Prieš paleisdami įrenginį įsitinkinkite, kad pjaustytuvas, lynelis ar peilis prie nieko nesiliečia.** Dirbant įrenginiu netgi akimirksnis neatidumo gali būti sunkaus sužalojimo ar kitų žmonių sužalojimo priežastis.



- **Nenaudokite įrenginio aukštyje virš juosmens.** Taip išvengsite netyčinio pjaustytuvo ar peilio prisilietimo ir geriau valdysite įrenginį netikėtomis aplinkybėmis.
- **Pjaudami įtemptus krūmus ar jaunus medelius saugokitės, kad jie neatšoktų atgal.** Atsileidus medžio pluošto įtampai, įtemptas krūmas ar medelis gali atsitrinti į naudotoją ir (arba) išmušti įrenginį iš rankų.
- **Ypač atsargiai pjaukite krūmus ir jaunus medelius.** Peilis gali įstrigti plonuose kamienuose ir atšokti į jus arba išversti iš kojų.
- **Išlaikykite įrenginio kontrolę ir nesilieskite prie pjaustytuvų, lynelių ar peilių bei kitų pavojingų judančių dalių, jei jos visa dar juda.** Taip sumažės pavojus susižaloti dėl judančių dalių.
- **Valydami užstrigusią medžiagą ar atlikdami techninę priežiūrą įsitikinkite, kad visi maitinimo jungikliai išjungti ir elektros laidas atjungtas.** Netikėtai įsijungus įrenginiui, kai valoma užstrigus medžiaga arba atliekama techninė priežiūra, galima sunkiai susižeisti.
- **Nešti galima tik išjungtą įrenginį ir laikant jį kuo toliau nuo kūno.** Jei įrenginys naudojamas tinkamai, sumažėja netyčinio sąlyčio su besisukančiu pjaustytuvu, lyneliu ar peiliu galimybe.
- **Įrenginį transportuoti ar sandėliuoti ant metalinių peilių visada uždėkite gaubtą.** Tinkamai naudojant įrenginį sumažėja pavojus atsitiktinai prisiliesti prie besisukančio peilio.
- **Naudokite tik gamintojo nurodytus pjaustytuvus, lynelius, pjovimo galvutes ir peilius.** Dėl netinkamų atsarginių dalių kyla pavojus įrenginį sugadinti ir susižeisti.

## Kita pagrindinė saugos informacija

- Išjunkite gaminį prieš perkeldami jį į kitą vietą. Perduodami gaminį kitam asmeniui visuomet nuimkite akumuliatorių.
- Jokių būdu nedėkite gaminio ant žemės, jei jis nėra išjungtas ir nenuimtas akumuliatorius. Nepalikite gaminio be priežiūros, kai jis jungtas.
- Išjungus gaminį pjovimo prietaisas sustoja ne iš karto.
- Prieš naudodami gaminį po bet koks sutrenkimo, patikrinkite, ar nėra nusidėvėjimo ar pažeidimo požymių ir, jei reikia, pataisykite.
- Jei naudojant gaminį į pjovimo įtaisą patenka objektų ir jie stringa, sustabdykite ir išjunkite gaminį. Įsitikinkite, kad pjovimo įtaisas visiškai sustojo. Prieš valydami, apžiūrėdami ar taisydami gaminį ir (arba) pjovimo įtaisą, nuimkite akumuliatorių.
- Prieš darbą atlikite produkto patikrą. Žr. *Gaminio apsauginės priemonės psl. 227 ir Techninė priežiūra psl. 230.* Sugadinto produkto nenaudokite. Atlikite šiame vadove nurodytas saugos patikras, techninės priežiūros ir aptarnavimo procedūras.
- Netvarkingas ar sugedęs pjovimo įtaisas gali padidinti nelaimingų atsitikimų kilimo riziką.
- Patikrinkite, ar pavara švari ir joje nėra įtrūkių. Nuo pavaros šepetėliu nuvalykite žoles ir lapus. Kai būtina, reikia mūvėti pirštines.
- Ventiliacijos angas visuomet saugokite nuo šiukšlių.
- Patikrinkite, ar žoliapjovės galvutė gerai pritvirtinta prie žoliapjovės.
- Prieš jungiant aparatą būtina sumontuoti visus dangčius, apsaugas ir rankenas.
- Patikrinkite, ar gaminys nepriekiaštingos darbinės būklės. Patikrinkite, ar visos veržlės ir varžtai yra priveržti.
- Patikrinkite, ar žoliapjovės galvutė ir žoliapjovės apsauginis skydas nėra pažeisti ar įtrūkę. Pakeiskite žoliapjovės galvutę ar žoliapjovės apsauginį elementą, jei jie yra deformuoti ar įtrūkę. Ant pjovimo įtaiso visada tvirtinkite tik rekomenduojamą apsauginį skydą. Žr. *Priedai psl. 234.*
- Šis gaminys gali būti pavojingas, jei būsite neatsargūs arba gaminį naudosite netinkamai. Šis gaminys gali rimtai sužeisti arba pražudyti operatorių arba aplinkinius.
- Šis prietaisas neskirtas naudoti asmenims (tarp jų ir vaikams) su ribotais fiziniais, jutimaisiais ar protiniais gebėjimais, neturinčiais patirties ar žinių, nebent asmuo, atsakingas už jų saugą, pateikė atitinkamas instrukcijas. Žiūrėkite, kad su prietaisu nežaistų vaikai.
- Niekada neleiskite vaikams naudoti įrenginį ar būti arti jo. Kadangi įrenginį užvesti labai paprasta, neprižiūrimi vaikai gali lengvai tai padaryti. Tai reiškia, kad iškyla pavojus sunkiai susižeisti. Todėl, kai neprižiūrite įrenginio, visuomet nuimkite bateriją.
- Niekada neleiskite vaikams ar kitiems asmenims, neapmokytiems naudotis gaminiu ir / arba akumuliatoriumi, jais naudotis ar atlikti techninę priežiūrą.
- Įrangą laikykite rakinamoje patalpoje, kur jos nepasieks vaikai ir pašaliniai asmenys.
- Rankas ir pėdas visuomet laikykite atokiau nuo pjovimo srities, ypač įjungdami variklį.
- Išjungę gaminį, rankas ir pėdas laikykite atokiau nuo pjovimo įtaiso, kol jis visiškai sustoja.
- Kai įrenginys jungtas arba sukantis pjovimo įtaisui patys nemėginkite ir kitiems asmenims neleiskite pašalinti nupjautos medžiagos, nes galima sunkiai susižeisti.
- Atminkite, kad Jūs, operatorius, atsakote už tai, kad nekiltų pavojus žmonėms ir jų nuosavybei.
- Be gamintojo leidimo jokių atveju negalima keisti originalios gaminio konstrukcijos. Būtinai naudokite originalias atsargines dalis. Nesuderinti konstrukcijos pakeitimai bei nepritaikytos detalės gali sukelti rimtus kūno sužalojimus ir net mirtį. Žalai, patirtai dėl neigaliotų priedų ar atsarginių dalių naudojimo, gali būti netaikoma garantija.
- Su gaminiu galite naudoti tik rekomenduojamus pjovimo įtaisus, kurie nurodyti skyriuje „Priedai“. Žr. *Priedai psl. 234.*

- Niekada nenaudokite gaminio, kurio konstrukcija yra pakeista ir neatitinka gamyklinių standartų.
- Niekada nenaudokite techniškai netvarkingo gaminio. Vykdykite šioje instrukcijoje nurodytas tikrinimo, techninės priežiūros ir remonto procedūras. Kai kuriuos techninės priežiūros darbus gali atlikti tik apmokyti ir kvalifikuoti specialistai. Žiūrėkite nurodymus, pateikiamus skyriuje „Techninė priežiūra“.
- Darbas blogu oru vargina ir dažnai padidina pavojaus riziką. Dėl didesnio pavojaus, nerekomenduojama naudoti įrenginio labai blogu oru, pavyzdžiui, kai yra didelis rūkas, smarkus lietus, stiprus vėjas, didelis šaltis, žaibo pavojus ir pan.
- Niekada nedirbkite stovėdami ant kopėčių, suoliuko ar kito netvirtai pakelto pagrindo.
- Išjungtus prietaisus laikykite patalpoje – nenaudojami prietaisai turi būti laikomi patalpoje.
- Neįmanoma numatyti visų situacijų, kurios gali iškilti. Visada elkitės atsargiai ir vadovaukitės sveiku protu. Neapsiimkite atlikti darbų, kuriems nesate pakankamai kvalifikuotas. Jeigu perskaityt šią instrukciją vis dar nesate tikri, kaip naudoti įrenginį, pasitarkite su tai išmanančiu asmeniu.
- Užtikrinkite, kad dirbant prie jūsų arčiau nei 15 metrų neprisartintų žmonės ar gyvūnai. Kai vienoje vietoje šiais įrenginiais dirba keli asmenys, tarp jų turi būti išlaikomas mažiausiai 15 m saugus atstumas. Priešingu atveju išskyla pavojus sunkiai susižeisti. Kam nors priartėjus, nedelsdami sustabdykite gaminį. Jokiu būdu nesisukinėkite su gaminiu prieš tai neįsitikinę, kad už jūsų nieko nėra.
- Pasirūpinkite, kad žmonės, gyvūnai ar kiti objektai nepaveiktų jūsų gaminio valdymo arba neprisilietų prie pjovimo įtaiso arba ant jų nenukristų pjovimo įtaiso sviesti palaidi objektai. Jokiu būdu nenaudokite gaminio, jei nelaimės atveju nebūtų galimybės iškviešti pagalbą.
- Įsitikinkite, kad galite saugiai judėti ir stovėti. Apžiūrėkite, ar jūsų darbo vietoje nėra kliūčių (išsikūšusių šaknų, akmenų, šakų, griovių ir pan.), kurios trukdytų, jei kartais reiktų atlikti staigesnį judesį. Būkite labai atsargūs dirbdami ant šlaitų.
- Eikite, niekada nebėkite.
- Patikrinkite darbo zoną. Pašalinkite visus palaidus objektus, pavyzdžiui, akmenis, stiklo šukes, vinis, plieninę vielą, virvės galiukus ir pan., kurie gali būti išsviedžiami į orą arba apsvynioti aplink pjovimo įtaisą ar jo apsauginį skydą.
- Saugokitės šakų nuolaužų, kurios pjaunant gali būti išsviedžiamos. Nepjaukite per arti žemės vietose, kur gali būti išsviedžiami į orą akmenys ir kiti objektai.
- Pasirūpinkite, kad prie pjovimo įtaiso nesiliestų drabužiai ar kūno dalys, kai gaminys yra įjungtas. Gaminį laikykite žemiau juosmens.
- Saugokitės į orą išsviedžiamų objektų. Būtinai dėvėkite patvirtintus apsauginius akinius. Niekada nesilenkite virš pjovimo įtaiso apsaugos. Į orą

- išsviedžiami akmenys, šiukšlės ir pan. gali pakliūti į akis ir sukelti apakimą arba sunkiai sužeisti.
- Jei dėvėite apsaugines ausines, būkite atidūs, kad išgirstumėte galimus įspėjamosius signalus ar šūksnius. Gaminiumi sustojus, būtinai nusiimkite apsaugines ausines.
- Jei pasireiškia nepageidaujamos vibracijos, išvyniokite papildomai lyno, taip nustatydami tinkamą jo ilgį, kad vibracijos liautųsi.
- Jeigu gaminys pradeda neįprastai vibruoti, sustabdykite jį ir nuimkite akumuliatorių.
- Pernelyg stipri ar ilgai trunkanti vibracija gali pakenkti asmeniui, kurių silpna kraujio apytaka, kraujio apytakai ir nervų sistemai. Pajutę pernelyg stiprios ar ilgai trukusios vibracijos sukeltus simptomus, kreipkitės į gydytoją. Simptomai yra sustingimas, jutimo praradimas, dilgčiojimas, badymas, skausmas, šilpnumas, odos spalvos ir būklės pakitimas. Šie simptomai dažniausiai pasireiškia pirštuose, plaštakose ir riešuose.
- Gaminį visada laikykite abiem rankomis. Gaminį laikykite dešinėje kūno pusėje.

## Asmeninės apsauginės priemonės



**PERSPĖJIMAS:** Prieš naudodami gaminį, perskaitykite toliau esančius įspėjimus.

- Naudodami įrenginį būtinai dėvėkite patvirtintas asmenines apsaugines priemones. Asmeninės apsauginės priemonės nepadės visiškai išvengti pavojaus susižeisti, tačiau nelaimingo atsitikimo atveju mažiau nukentėsite. Leiskite prekybos atstovui padėti pasirinkti tinkamą įrangą.
  - Naudokite apsauginį šalną ten, kur gali būti krentančių daiktų
  - Naudokite pakankamomis garso slopinimo savybėmis pasižyminčias patvirtintas apsaugines ausines. Ilgalais triukšmo poveikis gali visam laikui pakenkti klausai.
  - Naudokite patvirtintas akių apsaugos priemones. Jei naudojamas apsauginis skydelis, turi būti nešiojami ir patvirtinti apsauginiai akiniai. Patvirtinti apsauginiai akiniai atitinka JAV ANSI Z87.1 standartą arba ES EN 166 standartą.
  - Naudokite apsauginį veido skydelį. Akims apsaugoti vien skydelio nepakanka.
- (Pav. 19)
- Kai būtina, pvz., montuojant, apžiūrint arba valant pjovimo įrangą, užsimaukite pirštines.
  - Avėkite tvirtas, neslystančias batus.
  - Vilkėkite iš stiprios medžiagos pagamintus drabužius. Būtinai mėvėkite tvirtas, ilgas kelnes, vilkėkite aprangą ilgomis rankovėmis Nevilkėkite laisvų drabužių, kurie gali užkibti už krūmokšnių ir šakų. Nenešiokite papuošalų, trumpų kelnų ar atvirų

batų ir nevaikščiokite basomis. Saugiai susisiekite plaukus aukščiau pečių.

(Pav. 20)

- Netoliese turi būti pirmosios pagalbos vaistinė.

(Pav. 21)

## Gaminio apsauginės priemonės



**PERSPĖJIMAS:** Prieš naudodami gaminį, perskaitykite toliau esančius įspėjimus.

Šiame skyriuje aprašytos gaminio saugos priemonės, jų paskirtis ir patarimai, kaip atlikti patikros ir priežiūros darbus, siekiant užtikrinti tinkamą gaminio veikimą. Žr. instrukcijas skyriuje, *Įvadas psl. 221* kad sužinotumėte, kur jūsų gaminyje yra šios dalys.

Gaminio naudojimo laikas gali sutrumpėti, o nelaimingų atsitikimų pavojus gali padidėti, jei gaminys nebus tinkamai prižiūrimas, o techninė priežiūra ir (arba) remonto darbai nebus atliekami profesionaliai. Prireikus daugiau informacijos, prašome kreiptis į artimiausią techninės priežiūros atstovą.



**PERSPĖJIMAS:** Niekada nenaudokite gaminio, kurio apsauginės dalys yra pažeistos. Gaminio saugos įranga turi būti tikrinama ir prižiūrima taip, kaip yra aprašyta šiame skyrelyje. Jei gaminys neatitinka bet kurio iš šių kontrolinių reikalavimų, kreipkitės į savo techninės priežiūros atstovą dėl gaminio remonto.



**PASTABA:** Įrenginio techninė priežiūra ir taisyimas reikalauja specialaus pasirėngimo. Tai ypač susiję su įrenginio saugos įranga. Jei jūsų įrenginys neatitiks nors vieno iš žemiau pateiktų kontrolės reikalavimų, kreipkitės į sertifikuotą remonto dirbtuvę. Įsigijus mūsų gaminį, garantuojame profesionalų aptarnavimą ir techninę priežiūrą. Jei įrenginio pardavėjas neatlieka aptarnavimo, paprašykite jo duoti artimiausios remonto dirbtuvės adresą.

## Naudotojo sąsajos patikra

1. Paspauskite ir laikykite paleidimo / stabdymo mygtuką (A).
  - a) Gaminys įjungtas, kai įsijungia ekranas (B). (Pav. 22)
  - b) Gaminys išjungtas, kai išsijungia ekranas.
2. Jei ekrane pasirodo arba mirksi įspėjamas indikatorius, žr. *Naudotojo sąsaja psl. 231*.

## Maitinimo jungtiklo užrakto patikra

Maitinimo jungtiklo užraktas sukonstruotas taip, kad apsaugotų nuo netyčinio įjungimo. Nuspaudus maitinimo jungtiklo fiksatorių pirmyn (A) ir prispaudus maitinimo jungtiklo fiksatorių prie rankenos (B) maitinimo jungtiklis (C) atleidžiamas. Atleidus rankeną maitinimo jungtiklis ir jo fiksatorius grįžta į pradinę padėtį. Šį judesį užtikrina trys atskiros spyruoklės.

(Pav. 23)

1. Patikrinkite, ar maitinimo jungtiklis yra užfiksuotas, kai maitinimo jungtiklo fiksatorius yra savo pradinėje padėtyje. (Pav. 24)
2. Įspauskite maitinimo jungtiklo fiksatorių ir patikrinkite, ar atleidus jis grįžta į savo pradinę padėtį. (Pav. 25)
3. Patikrinkite, ar maitinimo jungtiklis ir jo fiksatorius laisvai juda, o grįžimo spyruoklė veikia tinkamai.
4. Paleiskite gaminį, žr. *Gaminio paleidimas psl. 229*.
5. Įjunkite didžiausiu greičiu.
6. Atleiskite maitinimo jungtiklį ir įsitinkinkite, kad pjovimo įtaisas sustoja ir daugiau nesisuka.

## Pjovimo įtaiso apsaugo patikra



**PERSPĖJIMAS:** Nenaudokite pjovimo įtaiso be patvirtinto ir tinkamai uždėto pjovimo įtaiso apsaugo. Visuomet naudokite rekomenduojamą pjovimo įtaisui pritaikytą apsaugą, žr. *Priedai psl. 234*. Jei sumontuotas netinkamas ar netvarkingas pjovimo įtaiso apsaugas, galima sunkiai susižeisti.

Pjovimo įtaiso apsauga sustabdo operatoriaus kryptimi išsviedžiamus objektus. Be to, jis saugo, kad nepaliestumėte pjovimo įtaiso ir nesusižeistumėte.

1. Sustabdykite gaminį ir išimkite akumuliatorių.
2. Apžiūrėkite, ar apsauga nesugadinta, pavyzdžiui, neįskilusi. (Pav. 26)
3. Jeigu pjovimo įtaiso apsauga sugadinta, ją pakeiskite.

## Žoliapjovės galvutė

- Visada naudokite tinkama žoliapjovės galvutę, pjovimo įtaisus ir pjovimo lynelį. Žr. *Priedai psl. 234* ir šio vadovo pabaigoje pateiktus surinkimo nurodymus.
- Patikrinkite, ar nepažeistas žoliapjovės apsaugo peilis.
- Pasirūpinkite, kad pjovimo lynelis būtų glaudžiai ir tolygiai suvyniotas ant būgno, kad išvengtumėte neįprastų gaminio vibracijų. Dėl skirtingo ilgio lynelių gali atsirasti nereikalingų vibracijų. Trinktelėkite žoliapjovės galvutę į žemę, kad sulygintumėte lynelių ilgus.

Jei norite, kad lynelis tarnautų ilgiau, prieš vyniodami, 2 dienoms ar daugiau pamerkite jį į vandenį. Šitaip lynelis taps atsparesnis.

## Surinkimo saugos instrukcijos



**PERSPĖJIMAS:** Prieš naudodami gaminį atidžiai perskaitykite, supraskite ir tiksliai laikykitės šių nurodymų.

- Prieš surinkdami gaminį nuimkite akumuliatorių.
- Naudokite patvirtintas apsaugines pirštines.
- Pažeista arba netinkamai veikianti apsauga gali sukelti sužalojimus. Nenaudokite pjovimo įtaiso be patvirtinto apsaugo.
- Prieš paleisdami gaminį įsitinkinkite, kad tinkamai surinkote dangtelį ir veleną.
- Pavaros diskas ir atraminė jungė turi būti tinkamai įleisti į pjovimo įtaiso viduryje esančią angą. Netinkamai uždėtas pjovimo įtaisas gali sunkiai arba mirtinai sužeisti.
- Jei su priedu pateikiami laikymo diržai, jie turi būti uždėti ant gaminio. Su laikymo diržais gaminį galima naudoti saugiai ir išvengti operatoriaus ar kitų asmenų sužeidimų.

## Priežiūros saugos instrukcijos



**PERSPĖJIMAS:** Prieš atlikdami gaminio techninę priežiūrą, perskaitykite toliau esančius įspėjimus.

- Prieš atlikdami techninę priežiūrą, kitą patikrą ar montuodami įrenginį, išimkite akumuliatorių.
- Operatorius gali atlikti tik tokius priežiūros ir techninės priežiūros darbus, kurie aprašyti šiame operatoriaus vadove. Dėl didesnių techninės priežiūros ir aptarnavimo darbų kreipkitės į techninės priežiūros atstovą.
- Nevalykite akumulatoriaus ar įkroviklio vandeniu. Stiprus ploviklis gali sugadinti įrenginį.
- Neatliekant techninės priežiūros trumpėja įrenginio naudojimo laikas ir didėja nelaimingų atsitikimų pavojus.
- Visiems techninės priežiūros ir remonto darbams atlikti būtini specialūs mokymai, ypač atliekant su sauga susijusios įrangos priežiūrą. Jeigu atlikus techninę priežiūrą patvirtinti ne visi šiame naudotojo vadove nurodyti punktai, kreipkitės į techninės priežiūros atstovą. Garantuojame, kad jis suteiks profesionalią priežiūrą ir atliks gaminio techninės priežiūros darbus.
- Naudokite tik originalias atsargines dalis.
- Naudodami pjovimo įtaisą, visada mūvėkite storas darbinės pirštines. Peiliai yra labai aštrūs, todėl jais lengva susžeisti.

## Surinkimas

### Kilpinės rankenos tvirtinimas

1. Pritvirtinkite kilpinę rankeną veleno tarp rodyklių. Neuždenkite etiketės kilpine rankena arba pakabos žiedu. (Pav. 27)
2. Įstatykite tarpiklį į kilpinę rankeną.
3. Prisukite veržlę, rankenėlę ir varžtą, nepriveržkite per stipriai.
4. Nustatykite patogią gaminio padėtį.
5. Priveržkite varžtą.

### Pjovimo įrangos surinkimas

Pjovimo įranga – tai pjovimo įtaisas ir pjovimo įtaiso apsauga.



**PERSPĖJIMAS:** Mūvėkite apsaugines pirštines.



**PERSPĖJIMAS:** Naudokite tik pjovimo įtaisui rekomenduojamą pjovimo

įtaiso apsaugą. Žr. *Techniniai duomenys psl. 232*



**PERSPĖJIMAS:** Netinkamai uždėtas pjovimo įtaisas gali sunkiai arba mirtinai sužeisti.

### Pjovimo įtaiso apsaugos montavimas

1. Pjovimo įtaiso apsaugą (A) tvirtinkite ant plokštelės laikiklio (B) kabliuko. (Pav. 28)
2. Uždėkite pjovimo įtaiso apsaugą ant veleno ir priveržkite varžtu (C).

### Pjovimo įtaiso apsaugos nuėmimas

- Atlaisvinkite varžtą (C) ir nuimkite pjovimo įtaiso apsaugą (A) nuo veleno. (Pav. 29)

### Žoliapjovės galvučių surinkimas



**PERSPĖJIMAS:** Montuojant pjovimo įtaisus ypač svarbu, kad varantysis diskas / atraminio flanšo reguliuojanti dalis pataikytų

tiksliai į pjovimo įrangos centro angą. Netinkamai pritvirtintas pjovimo įtaisas gali būti sunkių ir (arba) mirtinų sužeidimų priežastimi.



**PERSPĖJIMAS:** Jokiomis sąlygomis nenaudokite pjovimo įrangos, jei neįrengta pripažinta apsauga. Žr. *Priedai psl. 234*. Jei sumontuota netinkama ar netvarkinga apsauga, tai gali būti sunkių sužeidimų priežastimi.

## Žoliapjovės galvutės uždėjimas

1. Ant galios atidavimo veleno uždėkite varantįjį diską (B).

2. Sukite galios atidavimo veleną tol, kol viena iš varančiojo disko angų bus sulygiuota su atitinkama reduktoriaus korpuso anga.
3. Į angą įkiškite fiksavimo kaištį (C), kad jis gerai pritvirtintų veleną.
4. Sukite žoliapjovės galvutę (H) prieš laikrodžio rodyklę, kad ją pritvirtintumėte. (Pav. 30)

## Žoliapjovės galvutės nuėmimas

1. Į angą įkiškite fiksavimo kaištį (C), kad jis gerai pritvirtintų veleną.
2. Sukite žoliapjovės galvutę (H) palei laikrodžio rodyklę, kad ją nuimtumėte.
3. Nuo galios atidavimo veleno nuimkite varantįjį diską (B). (Pav. 30)

# Naudojimas

## Įvadas



**PERSPĖJIMAS:** Prieš naudodami gaminį perskaitykite ir supraskite skyrių apie saugą.

## Akumulatoriaus prijungimas prie įrenginio



**PERSPĖJIMAS:** Gaminyje naudokite tik originalius Husqvarna akumulatorius.

1. Įsitikinkite, kad akumulatorius visiškai įkrautas.
2. Įstatykite akumuliatorių į gaminio akumulatoriaus laikiklį. Akumulatorius bus užfiksuotas tada, kai išgirsite spragtelėjimą. (Pav. 31)



**PASTABA:** Jei akumuliatorių lengvai neįsistoja į akumulatoriaus laikiklį – akumuliatorių uždėtas netinkamai. Antraip galima sugadinti gaminį.

3. Įsitikinkite, kad akumulatorius įstatytas tinkamai.

## Darbinė padėtis

- Laikykite įrenginį abiem rankomis.
- Gaminį laikykite dešinėje kūno pusėje.
- Pjovimo įtaisą laikykite žemiau juosmens.
- Saugokitės įkaitusių paviršių.
- Saugokitės pjovimo įtaiso.

## Veiksmai prieš naudojant įrenginį

- Patikrinkite darbo zoną, kad išsiaiškintumėte reljefo pobūdį, grunto nuolydį ir galimas kliūtis, pavyzdžiui, akmenis, šakas ir griovius.

- Atlikite įrenginio nuodugnią patikrą.
- Atlikite šioje instrukcijoje aprašytas saugos patikras, priežiūros ir techninės priežiūros procedūras.
- Pasirūpinkite, kad visi dangčiai, apsaugai, rankenos ir pjovimo įranga būtų tinkamai pritvirtinti ir nesugadinti.
- Patikrinkite, ar neįtrūkusi atraminė jungė. Sugadintą atraminę jungę pakeiskite.

(Pav. 32)

- Patikrinkite, ar nesugadinta ir neįskilusi žoliapjovės galvutė ir pjovimo įrangos apsauga. Sugadintą arba įskilusią žoliapjovės galvutę ir pjovimo įrangos apsaugą pakeiskite.

(Pav. 33)

## Gaminio paleidimas

1. Paspauskite ir palaikykite užvedimo mygtuką, kol įsižišės žalias šviesos diodas. (Pav. 34)
2. Maitinimo jungikliu valdykite greitį.

## Didžiausio greičio ribojimas režimo mygtuku

Gaminys turi režimo mygtuką. Naudodamas režimo mygtuką operatorius gali riboti didžiausią greitį. Režimo mygtukas valdo 3 greičio lygius. Kuo žemesnis greičio lygis, tuo ilgiau gaminys veiks. Naudokite 1 ir 2 lygius, kai nereikalingas didžiausias greitis / visa galia. Jei darbo sąlygoms būtinas didžiausias greitis / didžiausia galia, naudokite 3 lygį. Nenaudokite aukštesnio lygio, nei būtinas darbai.

1. Paspauskite režimo mygtuką, kad nustatytumėte didžiausio greičio ribą. Užsidega baltas šviesos diodas, kuris rodo, kad funkcija įjungta. (Pav. 35)
2. Paspauskite režimo mygtuką dar kartą, kad pasirinktumėte kitą greičio lygį.

## Automatinio išjungimo funkcija

Šis gaminys turi išjungimo funkciją, kuri išjungia gaminį, jei jis nenaudojamas.

## Žolės pjovimas žoliapjovės galvute

### Žolės trumpinimas

1. Kampu pasuktą žoliapjovės galvutę laikykite prie pat žemės. (Pav. 36) Nespauskite žoliapjovės lynelio prie žolės.
2. Pjaudami žolę greta objektų, naudokite 80 % greičio. (Pav. 37)

### Žolės pjovimas

1. Pjaudami stenkitės žoliapjovės lynelį laikyti lygiagrečiai žemei. (Pav. 38)
2. Nespauskite žoliapjovės galvutės prie žemės. Taip galite pažeisti ir žemę, ir gaminį.
3. Neleiskite galvutei nuolat liestis prie žemės, nes taip galima pažeisti žoliapjovės galvutę.
4. Kai pjaunate žolę mojudami gaminio iš vieno šono į kitą, naudokite didžiausią greitį. (Pav. 39) Stenkitės žoliapjovės lynelį laikyti lygiagrečiai žemei.

## Žolės šlavimas

Besisukančios žoliapjovės galvutės valo sukuriamu oro srautu galima iš išvalyto ploto šalinti nupjautą žolę.

1. Laikykite žoliapjovės galvutę ir valą lygiagrečius žemės paviršiui ir aukščiau jo.
2. Ijunkite didžiausiu greičiu.
3. Judinkite žoliapjovės galvutę iš vienos pusės į kitą ir taip šluokite žolę.



**PERSPĖJIMAS:** Kaskart dėdami naują žoliapjovės valą valykite žoliapjovės galvutę, kad ji neišsibalansuotų ir neviruotų rankenos. Be to, patikrinkite ir prirėkus valykite kitas žoliapjovės galvutės dalis.

## Gaminio sustabdymas

1. Atleiskite maitinimo jungiklį arba maitinimo jungiklio užraktą.
2. Paspauskite sustabdymo mygtuką. (Pav. 34)
3. Išimkite akumuliatorių paspausdami ant jo esančius atlaisvinimo mygtukus. (Pav. 40)

## Techninė priežiūra

### Įvadas



**PERSPĖJIMAS:** Prieš atlikdami priežiūros darbus perskaitykite ir supraskite saugos skyriaus informaciją.

### Techninės priežiūros grafikas



**PERSPĖJIMAS:** Prieš atlikdami priežiūros darbus išimkite akumuliatorių.

Toliau pateiktas būtinų gaminio priežiūros darbų sąrašas.

Techninė priežiūra	Kasdien	Kas savaitę	Kas mėnesį
Nuvalykite išorines gaminio dalis sausa šluoste. Nenaudokite vandens.	X		
Patikrinkite, ar paleidimo ir stabdymo jungiklis gerai veikia ir nėra pažeistas.	X		
Patikrinkite, ar maitinimo jungiklio ir paties mygtuko fiksavimo funkcija veikia saugiai.	X		
Išitikinkite, kad visi valdikliai veikia ir nėra pažeisti.	X		
Rankenos visuomet turi būti sausos, švarios ir neišteptos alyva ar tepalais.	X		
Išitikinkite, kad nepažeistas pjovimo įtaisas. Pakeiskite pjovimo įtaisą, jei jis sugadintas.	X		
Išitikinkite, kad pjovimo įtaiso apsauga arba peilis nėra pažeistas. Pakeiskite, jeigu pjovimo įtaiso apsauga arba peilis yra pažeistas.	X		
Patikrinkite, ar gerai priveržtos varžlės ir varžtai.	X		
Išitikinkite, kad tinkamai veikia akumuliatoriaus atlaisvinimo mygtukai ir akumuliatorius fiksuojamas prie gaminio.	X		

Techninė priežiūra	Kasdien	Kas savaitę	Kas mėnesį
Įsitikinkite, kad akumuliatorius nepažeistas.	X		
Patikrinkite, ar akumuliatorius įkrautas.	X		
Patikrinkite, ar akumuliatoriaus įkroviklis nepažeistas ir veikia tinkamai.	X		
Patikrinkite visus kabelius, movas ir jungtis. Įsitikinkite, kad jie nepažeisti ir ant jų nėra purvo.		X	
Būtinai patikrinkite, ar kampinė pavara tinkamai pripildyta tepalo, žr. <i>Kampinės pavaros tepimas psl. 231</i> . Priešingu atveju naudokite „Husqvarna“ kampinių pavarų tepalą.		X	
Patikrinkite jungtis tarp akumuliatoriaus ir gaminio. Patikrinkite jungtį tarp akumuliatoriaus ir akumuliatoriaus įkroviklio.			X

## Įrenginio, akumuliatoriaus ir akumuliatorių įkroviklio valymas

- Baigę darbą nuvalykite įrenginį sausa šluoste.
- Nuvalykite akumuliatorių ir akumuliatorių įkroviklį sausa šluoste. Akumuliatoriaus uždėjimo takeliai turi būti švarūs.
- Prieš įstatydami akumuliatorių į akumuliatorių įkroviklį ar įrenginį, įsitikinkite, kad akumuliatoriaus kontaktai ir akumuliatorių įkroviklio kontaktai yra švarūs.

## Kampinės pavaros tepimas

- Nuimkite pjovimo įrangą.
- Gaminį su tepimo taško kaiščiū pakelkite į aukščiausią padėtį.

- Išimkite sutepimo taško kaišį. (Pav. 41)
- Pažvelkite į sutepimo taško angą ir pasukite varantįjį veleną. Tepalo lygis (A) turi siekti pavaros krumplių viršų (B). (Pav. 42)
- Jei tepalo lygis per mažas, į kampinę pavara įpilkite „Husqvarna“ kampinių pavarų tepalo. Pilkite iš lėto. Pildami kampinės pavaros tepalą, sukite varantįjį veleną, o pasiekę tinkamą lygį (B), sustokite.



**PASTABA:** Dėl netinkamo tepalo kiekio galite pažeisti kampinę pavara.

- Įstatykite sutepimo taško kaišį.

## Gedimai ir jų šalinimas

### Naudotojo sąsaja

Problema	Galimi gedimai	Galimi veiksmai
Akumuliatoriaus šviesos diodas mirksi oranžine spalva	Nepakankama baterijos įtampa.	Įkraukite akumuliatorių.
Klaidos LED indikatorius mirksi raudonai	Perkrova.	Pjovimo įtaisas užsikišęs. Sustabdykite gaminį. Išimkite akumuliatorių. Pašalinkite nepageidaujamas medžiagas nuo pjovimo įtaiso.
	Temperatūros svyravimai.	Leiskite įrenginiui atvėsti.
	Maitinimo jungiklis ir įjungimo mygtukas spaudžiami vienu metu.	Atleiskite maitinimo jungiklį ir įrenginys bus suaktyvintas.
Nepavyksta užvesti gaminio	Akumuliatoriaus jungtyse yra purvo.	Išvalykite akumuliatoriaus jungtis suspaustu oru ar minkštu šepetėliu.

Problema	Galimi gedimai	Galimi veiksmai
Klaidos diodas dega raudona	Būtina atlikti įrenginio techninę priežiūrą.	Kreipkitės į techninės priežiūros atstovą.

## Transportavimas, saugojimas ir utilizavimas

### Gabenimas ir laikymas

- Pateikiamam ličio jonų akumuliatoriui taikomos pavojingų krovinių gabenimo taisyklės.
- Laikykitės specialių komercinių krovinių gabenimui, įskaitant trečiųjų šalių ar tarpininko transporto priemonėmis, taikomų reikalavimų dėl pakavimo ir ženklavimo.
- Pasitarkite su pavojingų medžiagų gabenimo specialistu prieš siųsdami įrenginį. Laikykitės visų taikomų nacionalinių reikalavimų.
- Pakuodami akumuliatorių uždėkite juostą ant tvirtų kontaktų. Tvirtai supakuokite akumuliatorių, kad jis nejudėtų.
- Sandėliavimo ar transportavimo metu atjunkite akumuliatorių.
- Akumuliatorių ir akumuliatorių įkroviklį laikykite sausoje, drėgnoje ir teigiamos temperatūros vietoje.
- Nelaikykite akumuliatoriaus tokioje vietoje, kur gali susidaryti statiniai krūviai. Nelaikykite akumuliatoriaus metalinėje dėžutėje.
- Laikykite akumuliatorių vietoje, kurios temperatūra nuo 5 °C / 41 °F iki 25 °C / 77 °F, saugokite nuo tiesioginių saulės spindulių.
- Laikykite akumuliatorių įkroviklį vietoje, kurios temperatūra nuo 5 °C / 41 °F iki 45 °C / 113 °F, saugokite nuo tiesioginių saulės spindulių.
- Akumuliatoriaus įkroviklį naudokite, tik kai aplinkos temperatūra yra 5–40 °C / 41–104 °F.

- Prieš saugodami ilgesnį laiką pasirūpinkite, kad akumuliatorius būtų įkrautas 30–50 %.
- Akumuliatorių įkroviklį laikykite uždaroje ir sausoje patalpoje.
- Saugodami išimkite akumuliatorių iš akumuliatoriaus įkroviklio. Neleiskite vaikams ar kitiems nepatvirtintiems asmenims liesti įrenginio. Įrenginį laikykite užrakinamoje vietoje.
- Prieš saugodami gaminį ilgesnį laiką, išvalykite jį ir atlikite visus techninės priežiūros darbus.
- Transportuodami ar sandėliuodami įrenginį naudokite įrenginio transportavimo apsaugą, kad išvengtumėte sužalojimų ar produkto sugadinimo.
- Gabendami saugiai pritvirtinkite įrenginį.

### Akumuliatoriaus, akumuliatorių įkroviklio ir įrenginio šalinimas

Ant gaminio ar ant jo pakuotės pateikti simboliai rodo, kad šio gaminio negalima išmesti kartu su buitinėmis atliekomis. Nuvežkite jį į elektros ir elektronikos įrenginių perdirbimo punktą. Taip saugosite nuo taršos aplinką ir žmones.

Jeigu reikia papildomos informacijos, kaip perdirbti jūsų gaminį, kreipkitės į vietines institucijas, buitinių atliekų surinkimo tarnybą arba pardavimo atstovą.

## Techniniai duomenys

### Techniniai duomenys

	<b>325iL</b>
<b>Variklis</b>	
Variklio tipas	BLDC (be šepetėlių) 36 V
Galios atidavimo veleno greitis, aps./min.	5800
Pjovimo plotis, mm	420
<b>Svoris</b>	
Svoris be akumuliatoriaus ir pjovimo įtaiso, kg	3,0



	<b>325iL</b>
<b>Skleidžiamas triukšmas</b> <sup>43</sup>	
Garso galios lygis, išmatuotas dB (A)	93
Garso galios lygis, garantuojamas L <sub>WA</sub> dB (A)	96
<b>Triukšmo lygiai</b> <sup>44</sup>	
Tolygus garso slėgio naudotojo ausiai lygis, matuojamas pagal ISO 22868, dB (A):	
Su originalia žoliapjovės galvute	84
<b>Vibracijos lygis</b> <sup>45</sup>	
Vibracijos lygis rankenoje išmatuotas pagal ISO 22867, m/s <sup>2</sup>	
Su žoliapjovės galvute (originalia), priekis / galas, m/s <sup>2</sup>	4,3/2,9

## Patvirtinti akumulatoriai

<b>Akumulatorius</b>	<b>BLI 200</b>
Tipas	Ličio jonų
Akumulatoriaus talpa, Ah	5,2
Nominali įtampa, V	36
Svoris, kg (svar.)	1,3 (2,9)

## Patvirtinti akumuliatorių įkrovikliai

<b>Akumulatoriaus įkroviklis</b>	<b>QC330</b>
Įvado įtampa, V	100–240
Dažnis, Hz	50–60
Galia, W	330

<sup>43</sup> Triukšmas, skleidžiamas į aplinką, išmatuotas kaip garso galia (LWA) pagal EB direktyvą 2000/14/EB. Pateiktas įrenginio garso stiprumo lygis buvo išmatuotas naudojant didžiausią garsą sukeltą originalų pjovimo įtaisą. Skirtumas tarp garantuojamos ir išmatuotos garso galios yra tas, kad pagal Direktyvą 2000/14/EB garantuojama garso galia apima ir matavimo rezultatų sklaidą bei nukrypimus tarp skirtingų to pačio modelio įrenginių.

<sup>44</sup> Pateiktuose duomenyse apie įrenginio garso slėgio lygį yra 3 dB (A) tipiška statistinė sklaida (standartinis nuokrypis). Ji buvo išmatuota naudojant originalų įtaisą, kuris generuoja aukščiausią lygį.

<sup>45</sup> Pateiktuose vibracijos lygio duomenyse yra 2 m/s<sup>2</sup> tipiška statistinė sklaida (standartinis nuokrypis). Siekiant palyginti vibracijos lygius, akumuliatoriniams ir vidaus degimo gaminiams naudojamas vibracijos skaičiuotavas. <https://www.husqvarna.com/uk/services-solutions/vibration-calculator/>.

---

## Priedai

---

### Priedai

Patvirtinti priedai	Priedo tipas	Pjovimo įtaisų apsauga, įrenginio Nr.
Centrinė kiaurymė geležtėse / peiliuose, Ø 25,4		
Įsriegta geležtės ašis M10		
Žoliapjovės galvutė	T35 („Whisper Twist“ žoliapjovės lynelis iki Ø 2,4 mm)	597 01 62-02

# Atitikties deklaracija

## ES atitikties deklaracija

Mes, **Husqvarna AB**, SE-561 82 Huskvarna, Švedija, tel. +46-36-146500, atsakingai patvirtiname, kad gaminys:

<b>Aprašymas</b>	Akumulatorinė žoliapjovė
<b>Gamintojas</b>	Husqvarna
<b>Tipas / modelis</b>	325iL
<b>Identifikacijos numeris</b>	Serijos numeriai nuo šios datos: 2023 ir vėlesni

visiškai atitinka šias ES direktyvas ir reglamentus:

Direktyva / reglamentas	Aprašymas
2006/42/EB	„dėl mašinų“
2014/30/EMS	dėl elektromagnetinio suderinamumo
2011/65/ES	„dėl tam tikrų pavojingų medžiagų naudojimo elektros ir elektroninėje įrangoje apribojimo“
2000/14/EB	dėl triukšmo lauke

ir kad laikomasi šių standartų ir (arba) techninių specifikacijų: EN 62841-1:2015/AC:2015, EN 62841-4-4 (IEC 62841-4-4:2020), EN 61000-6-1:2007 (Immunity), EN 61000-6-3:2007/A1:2011/AC:2012 (Emission).



RISE SMP Svensk Maskinprovning AB, Box 4053, SE-904 03 Umeå, Sweden atliko savanorišką tipo patikrinimą pagal 2006/42/EB IX priedo reikalavimus. Sertifikato Nr.: SEC/23/2579.

Notified body: 0404, RISE SMP Svensk Maskinprovning AB, Box 4053, SE-904 03 Umeå, Sweden taip pat patikrino VI priedo atitiktį Tarybos direktyvos 2000/14/EB reikalavimams.

Daugiau informacijos apie triukšmo emisiją žr. *Techniniai duomenys psl. 232*.

Huskvarna, 2022-12-01

Stefan Holmberg, mokslinių tyrimų ir plėtros direktorius, technologijų vadyba, „Husqvarna AB“

Atsakingas už techninę dokumentaciją

---

# Saturs

---

Ievads.....	236	Pārvadāšana, glabāšana un utilizēšana.....	247
Drošība.....	237	Tehniskie dati.....	248
Montāža.....	243	Piederumi.....	249
Lietošana.....	244	Atbilstības deklarācija.....	250
Apkope.....	245	Pielikums .....	447
Problēmu novēršana.....	246		

---

## Ievads

---

### Izstrādājuma apraksts

Husqvarna 325iL ir akumulatora zāles trimeris ar elektromotoru.

Mēs nepārtraukti strādājam, lai uzlabotu jūsu drošību un efektivitāti, darbojoties ar šo ierīci. Lai iegūtu plašāku informāciju, sazinieties ar izplatītāju.

### Paredzētā lietošana

Izmantojiet izstrādājumu kopā ar trimera galvu, lai grieztu dažāda veida augus. Neizmantojiet izstrādājumu

citiem uzdevumiem, izņemot zāles apgriešanu un pļaušanu.

---

**Piezīme:** Uz lietošanu var attiekties valsts vai vietējie noteikumi. Ievērojiet norādītos noteikumus.

---

Izmantojiet izstrādājumu tikai ar ražotāja apstiprinātiem piederumiem. Skatiet šeit: *Piederumi lpp. 249*.

### Izstrādājuma pārskats

(Att. 1)

1. Lietošanas rokasgrāmata
2. Koniskais zobrats
3. Fiksācijas tapas atvere
4. Trimeris galva
5. Griešanas ierīces aizsargs
6. Piedziņas disks
7. Kombinētā uzgriežņu atslēga
8. Cilpas formas rokturis
9. Poga
10. Kāts
11. Fiksācijas tapa
12. Brīdinājuma indikators, gaismas diode
13. Ieslēgšanas/apturēšanas poga
14. Ātruma režīma poga
15. Piedziņas mēlītes bloķētājs
16. Lietotāja saskarne
17. Piedziņas mēlīte
18. Akumulatora lādētāja kabelis
19. Akumulatora lādētājs
20. Barošanas un brīdinājuma gaismas diode
21. Akumulatora atvienošanas pogas
22. Akumulators
23. Uzlādes stāvokļa gaismas diode
24. Brīdinājuma gaismas diode
25. Akumulatora indikatora poga

### Simboli uz izstrādājuma

(Att. 2) **BRĪDINĀJUMS!** Šis izstrādājums var būt bīstams! Pavirša vai nepareiza lietošana var radīt bīstamas vai nāvējošas traumas lietotājam vai citiem cilvēkiem. Ir ļoti svarīgi, lai jūs izlasītu un izprastu lietotāja rokasgrāmatas saturu. Rūpīgi izlasiet šo lietotāja rokasgrāmatu un pirms izstrādājuma lietošanas pārliecinieties, vai izprotat norādījumus.

(Att. 3) Izmantojiet apstiprinātus dzirdes aizsarglīdzekļus. Izmantojiet apstiprinātus acu aizsarglīdzekļus.

(Att. 4) Maksimālais ātrums vai ātrums bez slodzes.

XXXX /min  
vai min<sup>-1</sup> | Apgriezieni vai turpatpakaļ kustība minūtē.

(Att. 5) Spriegums, V

(Att. 6) Līdzstrāva.

(Att. 7) Šis izstrādājums atbilst piemērojamo EK direktīvu prasībām.

(Att. 8)	Šis izstrādājums atbilst spēkā esošajiem AK regulām.	aprikojumu, tas var radīt smagas acu traumas.
(Att. 9)	Izmantojiet apstiprinātus aizsargcimdus.	(Att. 14) Pirms apkopes atvienojiet akumulatoru.
(Att. 10)	Velciet darba apavus ar neslīdošām zolēm.	(Att. 15) Izstrādājums ir aizsargāts pret ūdens šļakatām.
(Att. 11)	Izmantojiet tikai elastīgu griešanas ierīci, kas nav izgatavota no metāla.	(Att. 16) Raugieties, lai ķermeņa daļas neatrastos karstu virsmu tuvumā.
(Att. 12)	Simboli uz izstrādājuma vai tā iepakojuma norāda, ka no šī izstrādājuma nevar atbrīvoties kā no sadzīves atkritumiem. Šis izstrādājums ir jānodod utilizācijai atbilstošā pārstrādes uzņēmumā.	(Att. 17) Trokšņa emisijas vidē uzlīme atbilstoši ES un Apvienotās Karalistes direktīvām un noteikumiem, kā arī Jaundienvīdvelsas tiesību aktam "Darba vides aizsardzības (trokšņa kontroles) regula (2017)". Izstrādājuma garantētais skaņas jaudas līmenis ir norādīts <i>Tehniskie dati lpp. 248.</i>
(Att. 13)	Piederums ar lielu spēku var izmest priekšmetus, kas, atsitoties, var atlēkt atpakaļ. Nelietojot atbilstošu drošības	

yyyywwxxxx

Datu plāksnītē ir norādīts sērijas numurs. **yyyy** ir ražošanas gads, **ww** ir ražošanas nedēļa, **xxxx** ir kārtas numurs.

(Att. 18)

Lietotājam jānodrošina, lai citi cilvēki vai dzīvnieki nebūtu darba vietā tuvāk par 15 metriem. Ja vairāki ierīces lietotāji strādā vienā darba vietā, drošības attālumam ir jābūt ne mazākam par 15 metriem.

**Piezīme:** Pārējie uz izstrādājuma norādītie simboli/uzlīmes attiecas uz citu tirdzniecības nozaru sertifikācijas prasībām.

## Produkta bojājumi

Mēs neatbildam par mūsu produkta bojājumiem, ja:

- ir veikts nepareizs produkta remonts;
- produkta remonts ir veikts, izmantojot detaļas, ko nav nodrošinājis vai apstiprinājis ražotājs;
- produktam tiek pievienots piederums, ko nav nodrošinājis vai apstiprinājis ražotājs;
- produkta remonts nav veikts pilnvarotā remontdarbnīcā vai pie pilnvarota speciālista.

## Drošība

### Drošības definīcijas

Brīdinājumi, norādes "Uzmanību!" un piezīmes tiek izmantotas, lai izceltu īpaši svarīgas lietotāja rokasgrāmatas daļas.



**BRĪDINĀJUMS:** Tiek izmantota tad, ja rokasgrāmatā sniegto instrukciju neievērošanas dēļ operatoram vai blakus esošajām personām draud trauma vai nāves risks.



**IEVĒROJIET:** Tiek izmantota tad, ja rokasgrāmatā sniegto instrukciju neievērošanas dēļ rodas izstrādājuma, citu materiālu vai blakus esošās teritorijas bojājuma risks.

**Piezīme:** Tiek izmantota, lai sniegtu plašāku informāciju, kas nepieciešama attiecīgajā situācijā.

### Vispārīgi drošības brīdinājumi par elektriskā darbarīka lietošanu



**BRĪDINĀJUMS:** **Izlasiet visas drošības instrukcijas, norādījumus, apskatiet attēlus un specifikācijas, kas ir komplektā ar šo elektrisko darbarīku.** Tālāk norādīto brīdinājumu un norādījumu neievērošana var radīt strāvas triecienu, aizdegšanos un/vai nopietnas traumas.

- **Saglabāriet visus brīdinājumus un norādījumus turpmākām uzziņām.** Brīdinājumos izmantotais termins "elektriskais darbarīks" attiecas uz elektrisko

darbarīku, kura barošanu nodrošina elektrofīkls (ar kabeli) vai akumulators (bez kabeļa).

## Darba zonas drošība

- **Darba zonai jābūt tīrai un labi apgaismotai.** Nekārtīgās un tumšās vietās bieži notiek negadījumi.
- **Nelietojiet elektriskos darbarīkus sprādzienbīstamā vidē, piemēram, viegli uzliesmojošu šķidrumu, gāzu vai putekļu tuvumā.** Elektriskie darbarīki rada dzirksteles, kas var izraisīt putekļu vai izgarojumu aizdegšanos.
- **Elektriskā darbarīka lietošanas laikā neļaujiet tuvumā atrasties bērniem un citām personām.** Uzmanības novēršanas dēļ varat zaudēt kontroli.

## Elektrodrošība

- **Elektriskā darbarīka kontaktspraudņiem jāatbilst elektrofīkla kontaktilgzdām. Nekādā gadījumā nepārveidojiet kontaktspraudni!** Ar iezemētiem elektriskajiem darbarīkiem nedrīkst izmantot nekādus pārejas spraudņus. Nepārveidotas kontaktdakšas un atbilstošas kontaktilgzdas samazina strāvas triecienu risku.
- **Neļaujiet ķermeņa saskari ar iezemētām virsmām, piemēram, caurulēm, radiatoriem, plītiem un ledusskapjiem.** Ja ir izveidojies ķermeņa zemējums, pastāv paaugstināts strāvas trieciena risks.
- **Elektriskos darbarīkus nedrīkst pakļaut lietus vai mitruma iedarbībai.** Elektriskajā instrumentā iekļuvīš ūdens paaugstina strāvas trieciena risku.
- **Lietojot kabeli, ievērojiet piesardzību. Nekad neizmantojiet kabeli elektriskā instrumenta pārvietošanai, vilkšanai vai atvienošanai no kontaktilgzdas. Sargiet kabeli no karstuma, eļļas, asām malām un kustīgām detaļām.** Bojāti vai savijušies vadi paaugstina strāvas trieciena risku.
- **Lietojot elektrisko instrumentu ārpus telpām, izmantojiet lietošanai ārā piemērotu pagarinātāju.** Lietošanai ārā piemērota pagarinājuma vada izmantošana samazina elektriskās strāvas trieciena risku.
- **Ja no elektriskā instrumenta lietošanas mitros apstākļos nevar izvairīties, izmantojiet paliekošās strāvas ierīci (residual current device — RCD).** Izmantojot RCD, tiek samazināts elektriskās strāvas trieciena risks.

## Individuālā aizsardzība

- **Lietojot elektrisko darbarīku, ievērojiet piesardzību, pārdomājiet savas darbības un rīkojieties saprātīgi. Nelietojiet elektrisko darbarīku, kad esat noguris, kā arī narkotīku, alkohola vai zāļu iespaidā.** Acumirkliņa neuzmanība strādājot ar elektrisko darbarīku var radīt smagas traumas.
- **Lietojiet individuālos aizsardzības līdzekļus. Vienmēr lietojiet acu aizsargus.** Individuālo aizsardzības līdzekļu, piemēram, putekļu maskas, aizsargapavu ar neslīdošām zolēm, ķiveres vai dzirdes aizsarglīdzekļu, lietošana attiecīgos apstākļos samazina traumu gūšanas risku.

- **Neļaujiet nejaušu ierīces ieslēgšanos. Pirms darbarīka pievienošanas strāvas avotam un/vai akumulatora blokam, pacelšanas vai pārvietošanas pārbaudiet, vai slēdzis ir izslēgtā stāvoklī.** Elektrisko darbarīku pārvietošana, turot pirkstu uz slēdža, vai darbarīku pieslēgšana barošanai, ja slēdzis ir ieslēgts, var izraisīt negadījumus.
- **Pirms elektriskā darbarīka ieslēgšanas noņemiet regulēšanas atslēgu vai uzgriežņu atslēgu.** Uz elektriskā darbarīka rotējošajām detaļām atstāta uzgriežņu atslēga vai atslēga var radīt traumu.
- **Nesniedzieties pārāk tālu. Vienmēr stāviet stabili un saglabājiet līdzsvaru.** Tādējādi var labāk vadīt elektrisko darbarīku negaidītās situācijās.
- **Attiecīgi apģērbieties. Nevalkājiet vaļīgu apģērbu vai rotaslietas. Neļaujiet matu un apģērbes saskari ar kustīgajām daļām.** Vaļīgas drēbes, rotaslietas vai gari mati var iekerties kustīgajās detaļās.
- **Ja komplektācijā ir iekļautas pievienojamas putekļu iesūkšanas ierīces un savākšanas konteineri, pārbaudiet, vai tie ir pieslēgti un tiek pareizi izmantoti.** Putekļu savākšanas līdzekļu izmantošana var samazināt ar tiem saistītos draudus.
- **Nekļūstiet nevērīgs pret darbarīka drošas izmantošanas principiem un neignorējiet tos pat tad, ja bieži izmantojat darbarīkus un esat labi apguvis to lietošanu.** Neuzmanīga rīcība var izraisīt nopietnu traumu vienā acumirklī.

## Elektriskā darbarīka lietošana un uzturēšana

- **Nelietojiet elektrisko darbarīku ar spēku. Izmantojiet konkrētajam darbam piemērotu elektrisko darbarīku.** Izmantojot pareizo elektrisko darbarīku ar tam paredzēto ātrumu, darbu var paveikt labāk un drošāk.
- **Nelietojiet elektrisko darbarīku, ja, nospiežot slēdzi, tas neieslēdzas vai neizslēdzas.** Elektriskais darbarīks, kuru nevar vadīt, izmantojot slēdzi, rada draudus un ir jāremontē.
- **Pirms jebkādu regulēšanas darbu veikšanas, piederumu maiņas vai elektrisko darbarīku novietošanas uzglabāšanai atvienojiet kontaktspraudni no strāvas avota un/vai izņemiet akumulatora bloku.** Šādi piesardzības pasākumi samazina nejaušas elektriskā darbarīka palaišanas risku.
- **Novietojiet elektrisko darbarīku, kas darbojas tukšgaitā, bērniem nepieejamā vietā un neļaujiet to lietot personām, kas nepārzina tā lietošanu vai šeit sniegtos norādījumus.** Nonākot rokās lietotājam bez atbilstošām zināšanām, elektriskie darbarīki ir bīstami.
- **Apkopiet elektriskos instrumentus un piederumus. Pārbaudiet kustīgo detaļu salāgojumu un saķeri, bojājumus un jebkādas citus faktoros, kas var ietekmēt elektriskā darbarīka darbību. Ja darbarīks bojāts, pirms tā lietošanas veiciet remontu.** Daudzu nelaimes gadījumu iemesls ir slikti uzturēti elektriskie darbarīki.

- **Griezējinstrumenti jāuztur asi un tīri.** Pareizi uzturēti griezējinstrumenti ar asiem asmeņiem retāk saliecas, un tos ir vieglāk vadīt.
- **Lietojiet elektriskos instrumentus, piederumus un asmeņus u.c. detaļas atbilstoši šeit sniegtajiem norādījumiem, ņemot vērā darba apstākļus un veicamos uzdevumus.** Elektriskā instrumenta lietošana tam neparedzētiem mērķiem var radīt bīstamas situācijas.
- **Rokturiem un turēšanas virsmām ir jābūt sausām, tīrām un uz tām nedrīkst būt eļļas un smērvielas.** Slīdīgi rokturi un turēšanas virsmas traucē drošu darbarīka izmantošanu un vadību negaidītās situācijās.

## Akumulatora instrumenta lietošana un apkope

- **Uzlādei izmantojiet tikai ražotāja norādīto lādētāju.** Lādētājs, kas ir piemērots viena tipa akumulatora blokam, var kļūt ugunsbīstams, lietojot to cita veida akumulatora blokam.
- **Izmantojiet elektriskos darbarīkus tikai ar tiem paredzētajiem akumulatoru blokām.** Jebkura cita akumulatora bloka lietošana var radīt traumas un ugunsgrēka risku.
- **Kad akumulatora bloks netiek izmantots, turiet to drošā attālumā no metāla priekšmetiem, piemēram, papīra saspardēm, monētām, atslēgām, naglām, skrūvēm un citiem nelieliem metāla priekšmetiem, kas var savienot spaiļes.** Akumulatora spaiļu savienošana var radīt apdegumus vai izdegšanos.
- **Nepareizi lietojot, no akumulatora var izceļt šķidrums; izvairieties no saskares ar to. Ja nejauši notiek saskare, noskalojiet skarto vietu ar lielu daudzumu ūdens. Ja šķidrums iekļūst acīs, vērsieties pēc medicīniskās palīdzības.** No akumulatora iztecejis šķidrums var radīt kairinājumu vai apdegumus.
- **Nelietojiet akumulatoru bloku vai darbarīku, ja tas ir bojāts vai pārveidots.** Bojāts vai pārveidots akumulators var darboties neparedzami, izraisot aizdegšanos, sprādzienu vai traumu gūšanas risku.
- **Nepakļaujiet akumulatoru bloku vai darbarīku uguns vai pārmērīgi augstas temperatūras ietekmei.** Ja pakļausit ierīci uguns vai tādas temperatūras iedarbībai, kas pārsniedz 130 °C (266°F), var notikt sprādziens.
- **Ņemiet vērā visus uzlādes norādījumus un neuzlādējiet akumulatoru bloku vai darbarīku temperatūrā, kas ir ārpus norādītajām norādītā diapazona.** Nepareiza uzlāde vai uzlāde temperatūrā, kas ir ārpus norādītā diapazona, var bojāt akumulatoru un palielināt aizdegšanās risku.

## Apkope

- **Uzticiet elektriskā darbarīka apkopi kvalificētam remontdarbu speciālistam, kas izmanto tikai oriģinālas rezerves daļas.** Tādējādi tiks garantēta elektriskā darbarīka lietošanas drošība.

- **Nekad neveiciet bojātu akumulatoru apkopi.** Akumulatoru apkopi drīkst veikt tikai ražotājs vai pilnvarota apkopes nodrošinātājs.

## Drošības brīdinājumi saistībā ar zāles trimeri, krūmgriezi un krūmu zāģi

- **Nelietojiet ierīci sliktos laikapstākļos, it īpaši tad, ja ir iespējams pērķona negaiss.** Tas palielina risku, ka jums varētu iespert zibens.
- **Rūpīgi pārbaudiet, vai teritorijā, kurā izmantosit ierīci, nav savvaļas dzīvnieku.** Ierīces darbības laikā var tikt traumēti savvaļas dzīvnieki.
- **Rūpīgi pārbaudiet zonu, kurā lielosit ierīci, un noņemiet akmeņus, vadus, kaulus un citus svešķermeņus.** Izsviesti priekšmeti var radīt smagu traumu.
- **Pirms ierīces lietošanas vienmēr vizuāli pārbaudiet, vai grieznis un asmens, kā arī griežņa un asmens mezgls nav bojāts.** Bojātas detaļas palielina traumu risku.
- **Ievērojiet piederumu maiņas norādījumus.** Nepareizi pievilkti asmens stiprinājuma uzgriežņi vai skrūves, var vai nu sabojāt asmeni, vai izraisīt tā atdalīšanos.
- **Griežņa nominālajam griešanās ātrumam jābūt vismaz vienādam ar maksimālo griešanās ātrumu, kas norādīts uz ierīces.** Griežņi, kas darbojas ātrāk par nominālo griešanās ātrumu, var salūzt un to daļas var tikt izsviestas.
- **Izmantojiet acu, ausu, galvas un roku aizsarglīdzekļus.** Atbilstošs drošības aprīkojums samazinās traumu gūšanas risku, ko rada lidojoši gruži vai nejausa saskare ar pļaušanas auklu vai asmeni.
- **Izmantojot ierīci, vienmēr uzvelciet neslīdošus aizsargapavus.** Nelietojiet ierīci, ja kājas ir basas vai valkājāt vaļējas sandales. Tādējādi tiek samazināta iespēja gūt traumu, kājām saskaroties ar kustīgu griezni, auklu vai asmeni.
- **Lietojot ierīci, vienmēr valkājiet garās bikses.** Nenosegta āda palielina izsviestu priekšmetu radītas traumas gūšanas iespēju.
- **Ierīces darbības laikā nodrošiniet, ka garāmgājēji ir drošā attālumā.** Izsviesti gruži var radīt smagas traumas.
- **Vienmēr darbiniet ierīci ar abām rokām.** Turiet ierīci ar abām rokām, lai nezaudētu tās vadāmību.
- **Turiet ierīci tikai aiz izolētajām satveršanas virsmām, jo pļaušanas aukla vai asmens var saskarties ar paslēptiem vadiem.** Pļaušanas aukla vai asmens, saskaroties ar zem sprieguma esošu vadu, var pārvadīt spriegumu uz ierīces neizolētajām metāla daļām, saskarē ar kurām var rasties elektrotrauma.
- **Vienmēr stāviet stabili un darbiniet ierīci tikai tad, ja atrodaties uz nekustīgas, drošas un līdzsvaras virsmas.** Uz slidenas vai nestabilas virsmas var zaudēt līdzsvaru vai ierīces vadību.
- **Nelietojiet ierīci ļoti slīpās vietās.** Šādi samazināsīt līdzsvara zuduma iespējamību, paslīdēšanas un nokrišanas risku, kas var radīt traumas.

- **Strādājot nogāzēs, vienmēr pārliecinieties par kāju novietojumu, vienmēr strādājiet šķērsām nogāzei, nekad augšup vai lejup un ievērojiet īpašu piesardzību, mainot virzienu.** Šādi samazināsīt līdzsvara zuduma iespējamību, paslīdēšanas un nokrišanas risku, kas var radīt traumas.
- **Lietojot ierīci, netuviniet ķermeņa daļas grieznim, auklai vai asmenim. Pirms sākat lietot ierīci, pārbaudiet, vai grieznis, aukla vai asmens ne ar ko nesaskaras.** Pat brīdis neuzmanības, izmantojot ierīci, var radīt smagu traumu jums un citiem.
- **Nelietojiet ierīci augstāk par vidukli.** Tas palīdzēs izvairīties no nejaušas griežņa vai asmens saskares ar citiem priekšmetiem, un efektīvāk vadīt ierīci neparedzētās situācijās.
- **Pļaujot krūmus vai jaunus kociņus, esiet uzmanīgi, jo tie var atlēkt.** Kad koka šķiedru spriegojums mazinās, krūms vai jaunais kociņš var atstties pret operatoru, kurš savukārt var caurdēt vadību pār ierīci.
- **Esiet īpaši piesardzīgi, zāģējot krūmus un jaunus kociņus.** Tievākie zari var ieķerties asmenī un atlēkt atpakaļ jūsu virzienā, un likt jums zaudēt līdzsvaru.
- **Nezaudējiet ierīces vadību un nepieskarieties griežņiem, auklām vai asmeņiem un citām bīstamām kustīgām daļām, kamēr tās kustas.** Šādi samazināsīt kustīgu detaļu radītu traumu risku.
- **Pirms izņemat iestrēgušu materiālu vai veicat ierīces apkopi, pārliecinieties, vai visi barošanas slēdži ir izslēgti un ir atvienots barošanas kabelis.** Ja ierīce sāk negaidīti darboties, kad izņemat iestrēgušu materiālu vai veicat apkopi, var tikt gūta smaga trauma.
- **Pārvietojiet ierīci izslēgtu un turiet to tālāk no ķermeņa.** Pareiza ierīces lietošana var samazināt nejaušu saskari ar kustīgu griezni, auklu vai asmeni.
- **Pārvadājot vai uzglabājot ierīci, uz metāla asmeņiem vienmēr uzlieciet pārsegu.** Pareiza ierīces izmantošana samazinās iespējamo risku, kas var rasties saskarē ar asmeni.
- **Izmantojiet tikai ražotāja norādītos rezerves griežņus, auklas, griešanas galvas un asmeņus.** Nepareizas rezerves daļas var radīt salūšanas un traumu risku.

## Cita vispārīga drošības informācija

- Pirms pārvietošanās uz citu vietu izslēdziet izstrādājumu. Nododot izstrādājumu citai personai, vienmēr izņemiet akumulatoru.
- Nekad nenolieciet izstrādājumu, kamēr neesat to izslēdzis un izņēmis akumulatoru. Neatstājiet izstrādājumu bez uzraudzības, kad tas ir ieslēgts.
- Griešanas mehānisms neapstājas uzreiz pēc izstrādājuma izslēgšanas.
- Pirms izstrādājuma lietošanas un pēc triecieniem pārbaudiet, vai nav radušās nodiluma vai bojājumu pazīmes, un, ja nepieciešams, sarestmontējiet.
- Ja griešanas ierīcē rodas nosprostojušs izstrādājuma darbības laikā, apturiet un izslēdziet izstrādājumu. Pārliecinieties, ka griešanas ierīce

pilnībā apstājas. Pirms izstrādājuma un/vai griešanas ierīces tīrīšanas, pārbaudes vai remontēšanas izņemiet akumulatoru.

- Pirms lietošanas pārbaudiet izstrādājumu. Skatiet šeit: *Izstrādājuma drošības ierīces lpp. 242 un Apkope lpp. 245.* Nelietojiet bojātu izstrādājumu. Ievērojiet šajā rokasgrāmatā aprakstītās drošības pārbaudes, tehniskās apkopes un remonta norādījumus.
- Bojāta griešanas ierīce var palielināt nelaimes gadījumu risku.
- Pārbaudiet, vai aprīkojums nav netīrs un saplaisājis. Ar suku noīriet no aprīkojuma zāli un lapas. Ja nepieciešams, uzvelciet cimdus.
- Vienmēr pārbaudiet, vai izstrādājuma ventilācijas spraugas uzturētas tīras no aizsērējumiem.
- Pārbaudiet, vai trimera galva ir pilnībā savienota ar trimeri.
- Pirms iedarbināšanas jābūt piestiprinātiem visiem pārsegumiem, aizsargiem un rokturiem.
- Pārbaudiet, vai izstrādājums ir pilnīgi labā stāvoklī. Pārbaudiet vai visas uzgriežņi un skrūves ir pievilkti.
- Pārbaudiet, vai trimera galva un trimera aizsargs nav bojāts vai saplaisājis. Nomainiet trimera galvu vai trimera aizsargu, ja tas ticis pakļauts triecienam vai ieplaisājis. Vienmēr lietojiet konkrētai griešanas ierīcei ieteikto aizsargu. Skatiet šeit: *Piederumi lpp. 249.*
- Šis izstrādājums ir bīstams instruments, ja ar to nerkojas uzmanīgi vai ja to lieto nepareizi. Šis izstrādājums var izraisīt smagas vai nāvējošas traumas operatoram vai citām personām.
- Šo izstrādājumu nedrīkst lietot personas (tostarp bērni) ar ierobežotām kustībām, maņu vai garīgiem traucējumiem un personas ar nepietiekamu lietošanas pieredzi vai zināšanām, izņemot gadījumus, kad par šo personu drošību atbildīgā persona šīs personas uzrauga vai ir atbilstoši instruējusi. Neļaujiet bērniem spēlēties ar šo ierīci.
- Neļaujiet bērniem lietot šo ierīci vai uz uzturēties tās tuvumā. Tā kā iekārtu ir vienkārši iedarbināt, bērni to var nejausīgi iedarbināt. Tas var radīt smagu traumu. Tāpēc, ja ierīce netiek pieskafta, vienmēr atvienojiet akumulatoru.
- Nekādā gadījumā neļaujiet bērniem vai citām atbilstoši neapmācītām personām strādāt ar izstrādājumu, mainīt akumulatoru vai veikt tehnisko apkopi.
- Uzglabājiet ierīci noslēdzamā vietā, kas nav pieejama bērniem un nepiederošām personām.
- Turiet rokas un kājas drošā attālumā no griešanas mehānisma, jo īpaši ierīces motora ieslēgšanas laikā.
- Pēc izstrādājuma izslēgšanas netuviniet plaukstu un pēdas griešanas ierīcei, līdz tā ir pilnībā apstājusies.
- Nenonēmiem sagriezto materiālu un neļaujiet citiem noņemt sagriezto materiālu, kad izstrādājums



darbojas vai griešanas aprīkojums griežas, jo tas var radīt smagas traumas.

- Atcerieties, ka jūs kā operators esat atbildīgs par cilvēku vai viņu īpašuma aizsardzību pret nelaimes gadījumiem vai apdraudējumu.
- Nekādā gadījumā bez ražotāja atļaujas nedrīkst mainīt šī izstrādājuma konstrukciju. Vienmēr izmantojiet oriģinālos piederumus. Neatļautas izmaiņas un/vai neatļauti piederumi var radīt smagas vai nāvējošas traumas izstrādājuma lietotājam un citiem. Jūsu garantija, iespējams, neattiecas uz bojājumiem vai atbildību, ko ir izraisījis nesankcionētu piederumu vai rezerves daļu lietošana.
- Šo izstrādājumu drīkst lietot tikai kopā ar mūsu ieteiktajām griešanas ierīcēm, kas norādītas nodaļā Piederumi. Skatiet šeit: *Piederumi lpp. 249*.
- Nekādā gadījumā nelietojiet izstrādājumu, kas ir pārveidots, neievērojot sākotnējo specifikāciju.
- Nekad nelietojiet bojātu izstrādājumu. Ievērojiet šajā rokasgrāmatā aprakstītās drošības pārbaudes, tehniskās apkopes un remonta norādījumus. Dažus apkopes un remonta darbus drīkst veikt tikai apmācīti un kvalificēti speciālisti. Skatiet norādījumus nodaļā Tehniskā apkope.
- Darbs sliktos laikapstākļos ir nogurdinošs un bieži rada papildu risku. Paaugstinātā riska dēļ nav ieteicams izmantot izstrādājumu ļoti sliktos laikapstākļos, piemēram, biežā miglā, stiprā lietū, spēcīgā vējā, lielā aukstumā, negaisa laikā un tamlīdzīgos apstākļos.
- Nekad nestrādājiet, stāvot uz trepēm, paliktna vai kāda cita nenostiprināta paaugstinājuma.
- Uzglabājiet izslēgtus izstrādājumu telpās — izņemantoti izstrādājumi ir jāuzglabā telpās
- Ņemiet vērā, ka visas iespējamās situācijas nav iespējams paredzēt. Vienmēr esiet piesardzīgi un izmantojiet veselo saprātu. Izvairieties no situācijām, kurās nejūtaties īsti pārliecināts par notiekošo vai veicamajām darbībām. Ja pēc šo norādījumu izlasīšanas joprojām šaubāties par notiekošo vai veicamajām darbībām, pirms turpmākas rīcības konsultējieties ar kādu ekspertu.
- Strādājot sekojiet, lai neviens cilvēks vai dzīvnieks neatrastos jūsu darba vietai tuvāk par 15 metriem. Ja vairāki operatori strādā vienā darba vietā, drošības attālumam starp tiem jābūt ne mazākam par 15 metriem. Citādi var tikt radīta smaga trauma. Ja kāds tuvojas, nekavējoties apturiet izstrādājumu. Nekad nelietojiet izstrādājumu, pirms neesat paskatījis atpakaļ un pārliecinājies, ka drošības zonā neviena nav.
- Nodrošiniet, lai cilvēki, dzīvnieki un citi apstākļi neietekmē izstrādājuma vadību, un tie nesaskaras ar griešanas ierīci vai nestāv ceļā priekšmetiem, ko var izsviest griešanas ierīce. Nelietojiet izstrādājumu, ja nelaimes gadījumā nav iespējams izsaukt palīdzību.
- Pārliecinieties, ka ir iespējams droši pārvietoties un stāvēt. Pārbaudiet, vai tuvumā nav šķēršļu (saknes, akmeņi, zari, bedres utt.), kas var traucēt,

ja piepeši nepieciešams pārvietoties. Ievērojiet īpašu piesardzību, strādājot nogāzēs.

- Ejiet, nekādā gadījumā neskrīniet.
- Pārbaudiet darba zonu. Novāciet visus vaļīgos priekšmetus, piemēram, akmeņus, stikla lauskas, naglas, tērauda stiepli, auklas un citus priekšmetus, kas var tikt izsviesti vai apfīties apkārt griezējam vai griezēja aizsargam.
- Uzmanieties no zaru gabaliņiem, kas tiek izmesti griešanas laikā. Negrieziet pārāk tuvu zemei, kur var tikt izsviesti akmeņi un citi priekšmeti.
- Gādājiet, lai aktivizēta izstrādājuma griešanas ierīce nesaskartos ar apgērbu vai ķermeņa daļām. Turiet izstrādājumu zem jostas līmeņa.
- Sargieties no izsviestiem priekšmetiem. Vienmēr lietojiet apstiprinātus acu aizsarglīdzekļus. Nekad nesniedzieties pāri griešanas ierīces aizsargam. Akmeņi, gruži un citi elementi var tikt izsviesti, trāpot acis un izraisot akumu vai smagas traumas.
- Lietojot dzirdes aizsarglīdzekļus, vienmēr uzmanīgi klausieties, lai sadzirdētu brīdinājumu signālus vai saucienus. Kad izstrādājums apstājas, vienmēr noņemiet dzirdes aizsarglīdzekļus.
- Ja rodas nevēlamas vibrācijas, izvelciet jaunu auklu un iestatiet pareizu garumu — tādējādi vibrācijas tiks novērstas.
- Ja izstrādājums rada normām neatbilstošas vibrācijas, apturiet tā darbību un izņemiet akumulatoru.
- Personām ar asinsrites traucējumiem pārmērīga atrašanās vibrāciju ietekmē var izraisīt asinsrites vai nervu sistēmas saslimšanu. Ja jūtat pārmērīgas vibrācijas ietekmes simptomus, sazinieties ar ārstu. Simptomi var būt šādi: nejutīgums, tirpšana, dūrieni, sāpes, spēka zudums, ādas krāsas vai stāvokļa izmaiņas. Šie simptomi parasti ir novērojami pirkstos, rokās vai locītavās.
- Vienmēr turiet izstrādājumu ar abām rokām. Turiet izstrādājumu ķermeņa labajā pusē.

## Individuālie aizsarglīdzekļi



**BRĪDINĀJUMS:** Pirms sākat lietot šo izstrādājumu, izlasiet tālāk izklāstītos brīdinājumus.

- Izmantojot izstrādājumu, vienmēr lietojiet apstiprinātus individuālos aizsarglīdzekļus. Šādi līdzekļi nevar pilnībā novērst traumu gūšanas risku, taču samazina traumu smaguma pakāpi, ja negadījums tomēr notiek. Ļaujiet izplatītajam palīdzēt jums izvēlēties pareizo aprīkojumu.
- Izmantojiet aizsargķiveri, ja pastāv kritošu priekšmetu draudi.
- Lietojiet tādus dzirdes aizsarglīdzekļus, kas nodrošina pietiekamu trokšņa slāpēšanu. Ilgstoša uzturēšanās troksnī var radīt būtiskus dzirdes bojājumus.

- Izmantojiet apstiprinātus acu aizsarglīdzekļus. Apstiprinātas aizsargbrilles ir jālieto arī tad, ja tiek izmantots sejsēgs. Apstiprinātas aizsargbrilles ir tādas, kas atbilst standarta ANSI Z87.1 prasībām ASV vai standarta EN 166 prasībām ES valstīs.
  - Sejas aizsardzībai izmantojiet sejsēgu. Ar sejsēgu nepietiek, lai aizsargātu acis.
- (Att. 19)
- Vajadzības gadījumā izmantojiet cimdus, piemēram, piestiprinot, pārbaudot vai fīrot griešanas ierīci.
  - Valkājiet neslīdošus un stabilus zābakus.
  - Lietojiet izturīga auduma apģērbu. Vienmēr valkājiet biezās, garas bikses un apģērbu ar garām piedurknēm. Nevalkājiet vaļīgu apģērbu, kas viegli var iekerties krūmos un zaros. Nenēsājiet rotaslietas, nevelciet šortus, sandales un nestrādājošas basām kājām. Sakārtojiet matus droši virs pleciem.

(Att. 20)

- Gādājiet, lai tuvumā būtu pirmās palīdzības piederumi.

(Att. 21)

## Izstrādājuma drošības ierīces



**BRĪDINĀJUMS:** Pirms izstrādājuma lietošanas izlasiet tālāk izklāstītos brīdinājumus.

Šajā sadaļā ir izskaidrotas izstrādājuma drošības funkcijas, tā nolūks un veidi, kā tiek veikta tā pārbaude un apkope, lai garantētu izstrādājuma pareizu darbību. Skatiet norādījumus nodaļā ar virsrakstu *Levads lpp. 236* lai uzzinātu, kur izstrādājumā atrodas šīs daļas.

Šī izstrādājuma darbmūžs var saīsināties un var palielināties nelaiemes gadījumu risks, ja izstrādājuma apkope netiek veikta pareizi un ja apkope un/vai remonts netiek veikts profesionāli. Ja nepieciešama papildu informācija, sazinieties ar tuvāko izplatītāju, kas nodrošina apkopi.



**BRĪDINĀJUMS:** Nekādā gadījumā nelietojiet izstrādājumu ar bojātu drošības aprīkojumu. Izstrādājuma drošības aprīkojums ir jāpārbauda un jāuztur, pamatojoties uz šajā nodaļā izklāstīto informāciju. Ja izstrādājums neatbilst iepriekš aprakstīto pārbaudu prasībām, sazinieties ar vietējo remontdarbniecu, lai izstrādājumu saremontētu.



**IEVĒROJIET:** Izstrādājuma apkopi un remontu drīkst veikt tikai īpaši apmācīti tehniķi. Tas jo īpaši attiecas uz izstrādājuma drošības aprīkojumu. Ja izstrādājums neatbilst zemāk aprakstīto pārbaudu prasībām, sazinieties ar apkopes pakalpojumu nodrošinātāju. Jebkura mūsu izstrādājuma iegāde garantē profesionāla

remonta un apkopes pieejamību. Ja mazumtirgotājs, pie kura iegādājāties izstrādājumu, nav apkopi veicošs izplatītājs, uzziniet no viņa tuvākā apkopes veicēja adresi.

## Lietotāja saskarnes pārbaude

1. Turiet nospiestu ieslēgšanas/apturēšanas pogu (A).
  - a) Izstrādājums ir ieslēgts, ja iedegas displejs (B). (Att. 22)
  - b) Izstrādājums ir izslēgts, ja displejs nodziest.
2. Ja displejā deg vai mirgo brīdinājuma indikators, skatiet šeit: *Lietotāja saskarne lpp. 246*.

## Piedziņas mēlītes bloķētāja pārbaude

Piedziņas mēlītes bloķētājs ir paredzēts nejaušas iedarbināšanas novēršanai. Ja stumsit piedziņas mēlītes bloķētāju uz priekšu (A) un tad piespiedīsiet to rokturim (B), piedziņas mēlīte (C) tiks atbrīvota. Atlaižot rokturi, piedziņas mēlīte un piedziņas mēlītes bloķētājs atgriežas sākotnējā stāvoklī. Šo darbību nodrošina trīs atsevišķas atsperes.

(Att. 23)

1. Pārbaudiet, vai spēka sprūds ir nobloķēts, kad spēka sprūda bloķētājs ir sākotnējā pozīcijā. (Att. 24)
2. Nospiediet spēka sprūdu un pārbaudiet, vai pēc atlaišanas tas atgriežas sākuma pozīcijā. (Att. 25)
3. Pārbaudiet, vai spēka sprūds un spēka sprūda bloķētājs brīvi kustas un atgriežas atspere darbojas pareizi.
4. Iedarbiniet izstrādājumu; skatiet *Izstrādājuma ieslēgšana lpp. 244*.
5. Palieliniet ātrumu līdz maksimālajam ātrumam.
6. Atlaidiet piedziņas mēlīti un pārbaudiet, vai griešanas ierīce apstājas un ir nekustīga.

## Griešanas ierīces aizsarga pārbaude



**BRĪDINĀJUMS:** Nelietojiet griešanas ierīci, ja tai nav pareizi uzstādīts apstiprināts griešanas ierīces aizsargs. Obligāti izmantojiet griešanas ierīci kopā ar ieteicamo griešanas ierīces aizsargu (sk. *Piederumi lpp. 249*). Ja griešanas ierīces aizsargs ir uzstādīts nepareizi vai ir bojāts, pastāv nopietnas traumas risks.

Griešanas ierīces aizsargs aptur objektus, kas tiek izviesti operatora virzienā. Tas arī novērš traumas, kas rodas, ja pieskaraties griešanas ierīcei.

1. Apturiet izstrādājumu un izņemiet akumulatoru.
2. Vizuāli pārbaudiet, vai nav bojājumu, piemēram, plaisu. (Att. 26)
3. Ja griešanas ierīces aizsargs ir bojāts, nomainiet to.

## Trimerā galva

- Vienmēr lietojiet pareizu trimera galvu, griešanas ierīces un vienmēr izmantojiet tikai ieteikto trimera auklu. Skatiet *Piederumi lpp. 249* un montāžas aprakstu rokasgrāmatas beigās.
- Pārļiecinieties, vai nav bojāts uz trimera aizsarga esošais grieznis.
- Pārļiecinieties, ka trimera aukla ir cieši un vienādi uzfīta apkārt rumbai, lai novērstu neparastas izstrādājuma vibrācijas. Dažāda garuma aukla var radīt nevajadzīgu vibrāciju. Lai iegūtu pareizā garuma auklu, piesitiet trimera galvu pie zemes.

Lai pagarinātu auklas darbību, to var vismaz divas dienas mērcēt ūdenī pirms uzlikšanas. Šādi aukla kļūs izturīgāka.

## Norādījumi par drošu uzstādīšanu



**BRĪDINĀJUMS:** Pirms izstrādājuma lietošanas izlasiet, izprotiet un ievērojiet šos norādījumus.

- Pirms izstrādājuma sagatavošanas darbam izņemiet no tā akumulatoru.
- Izmantojiet apstiprinātus aizsargcimdus.
- Aizsargs, kas ir bojāts vai nedarbojas pareizi, var izraisīt traumas. Neizmantojiet griešanas ierīci, kam nav piestiprināts apstiprināts aizsargs.
- Pirms ieslēgt izstrādājumu, pārļiecinieties, ka pārsegs un vārpsta ir uzmontēta pareizi.
- Piedziņam diskam un balsta atlokam jābūt pareizi savienotiem griešanas ierīces centrālajā atverē. Griešanas ierīce, kas nav piestiprināta pareizi, var radīt traumu vai nāvi.

## Montāža

### Cilpas roktura montāža

1. Piestipriniet cilpas rokturi uz stieņa vietā starp bultīnām. Nenovietojiet cilpveida rokturi vai uzkares cilpu uz etiķetes. (Att. 27)
2. Iebīdīet starplika cilpas roktura atverē.
3. Piestipriniet uzgriezni, rokturi un skrūvi; nepārvelciet.
4. Pielāgojiet izstrādājumu ērtā darba stāvoklī.
5. Pievelciet skrūvi.

### Griešanas aprikojuma montāža

Griešanas aprikojumā ietilpst griešanas ierīce un griešanas ierīces aizsargs.



**BRĪDINĀJUMS:** Lietojiet aizsargcimdus.

- Ja stiprinājuma (drošības jostas) komplektācijā ir palģierīce, stiprinājums (drošības josta) ir pareizi jāpievieno izstrādājumam. Stiprinājums (drošības josta) padara darbu drošu un nepieļauj operatora vai citu personu traumas.

## Norādījumi par drošu apkopi



**BRĪDINĀJUMS:** Pirms veicat produkta apkopi, izlasiet brīdinājuma norādījumus.

- Noņemiet akumulatoru, pirms veicat apkopi, citas pārbaudes vai montējat produktu.
- Operators drīkst veikt tikai šajā lietotāja rokasgrāmatā norādītos apkopes un servisa darbus. Par plašākiem apkopes un servisa darbiem sazinieties ar jūsu apkopes nodrošinātāju.
- Neņiriet akumulatoru un tā lādētāju ar ūdeni. Spēcīgs mazgāšanas līdzeklis var radīt plastmasas bojājumus.
- Neveicot apkopi, samazinās produkta dzīves cikls un palielinās nelaimes gadījumu risks.
- Īpaša apmācība ir nepieciešama visiem apkopes un remontdarbiem, jo īpaši šī produkta drošības ierīcēm. Ja visas šajā lietotāja rokasgrāmatā norādītās pārbaudes netiek apstiprinātas pēc apkopes veikšanas, sazinieties ar apkopes nodrošinātāju. Mēs garantējam profesionālu remontdarbu un apkopes pieejamību jūsu produktam.
- Vienmēr izmantojiet tikai oriģinālās detaļas.
- Labojot griešanas ierīci, noteikti izmantojiet izturīgus cimdus. Asmeņi ir ļoti asi, tāpēc ļoti vienkārši var gūt traumas.



**BRĪDINĀJUMS:** Vienmēr izmantojiet griešanas ierīces aizsargu, kas ir ieteikts attiecīgajai griešanas ierīcei. Skatiet šeit: *Tehniskie dati lpp. 248.*



**BRĪDINĀJUMS:** Nepareizi piestiprināta griešanas ierīce var izraisīt traumas vai nāvi.

### Griešanas ierīces aizsarga piestiprināšana

1. Nostipriniet griešanas ierīces aizsargu (A) pie āķa uz plāksnes turētāja (B). (Att. 28)
2. Uzstādiet griešanas ierīces aizsargu uz vārpstas un pievelciet ar skrūvi (C).

### Griešanas ierīces aizsarga noņemšana

- Atlaidiet skrūvi (C) un noņemiet griešanas ierīces aizsargu (A) no vārpstas. (Att. 29)

## Trimeras galvas montāža



**BRĪDINĀJUMS:** Uzstādot griešanas ierīci, ir ļoti svarīgi, lai dzenošā diska/balsta atloka paceltā daļa pareizi ievietotos griešanas ierīces centra atverē. Ja griešanas ierīce uzstādīta nepareizi, var rasties smagas un/vai nāvējošas traumas.



**BRĪDINĀJUMS:** Nekādā gadījumā neizmantojiet griešanas ierīci, ja nav uzstādīts apstiprināts aizsargs. Skatiet šeit: *Piederumi lpp. 249*. Ja aizsargs ir uzstādīts nepareizi vai ir bojāts, var rasties smagas traumas.

## Trimeras galvas piestiprināšana

1. Uz piedziņas vārpstas novietojiet piedziņas disku (B).

## Lietošana

### Ievads



**BRĪDINĀJUMS:** Pirms produkta lietošanas izlasiet un izprotiet drošības norādījumus.

## Akumulatoru savienošana ar produktu



**BRĪDINĀJUMS:** Produktā izmantojiet tikai Husqvarna oriģinālos akumulatorus.

1. Pārliedzieties, vai akumulators ir pilnībā uzlādēts.
2. Iebīdiet akumulatoru izstrādājuma akumulatora turētājā. Atskatot klikšķim, akumulators automātiski nofikssējas. (Att. 31)



**IEVĒROJIET:** Ja akumulators viegli neieslīd akumulatora turētājā, akumulators nav pareizi uzstādīts. Pretējā gadījumā izstrādājums var tikt bojāts.

3. Pārliedzieties, vai akumulators ir pareizi uzstādīts.

## Darba pozīcija

- Turiet izstrādājumu ar abām rokām.
- Turiet izstrādājumu ķermeņa labajā pusē.
- Turiet griešanas ierīci zem vidukļa līnijas.
- Netuviniet ķermeņa daļas karstām virsmām.
- Netuviniet ķermeņa daļas griešanas ierīcei.

2. Grieziet piedziņas vārpstu, līdz viena no piedziņas diska atverēm savietojas ar atbilstošo atveri transmisijas korpusā.
3. Lai fiksētu vārpstu, ievietojiet atverē fiksācijas tapu (C).
4. Lai piestiprinātu trimera galvu (H), grieziet to pretēji pulksteņrādītāju kustības virzienam. (Att. 30)

## Trimeras galvas noņemšana

1. Lai fiksētu vārpstu, ievietojiet atverē fiksācijas tapu (C).
2. Lai noņemtu trimera galvu (H), grieziet to pulksteņrādītāju kustības virzienā.
3. Noņemiet no piedziņas vārpstas piedziņas disku (B). (Att. 30)

## Pirms izstrādājuma darbināšanas

- Pārbaudiet darba zonu, lai pārliedzītos, ka zināt virsmas veidu, zemes slīpumu un to, vai ir šķēršļi, piemēram, akmeņi, zari un grāvji.
- Veiciet pilnīgu izstrādājuma pārbaudi.
- Veiciet drošības pārbaudes, uzturēšanu un apkopi, kas aprakstīta šajā rokasgrāmatā.
- Pārliedzieties, ka visi pārsegi, aizsargi, rokturi un griešanas aprīkojums ir pareizi piestiprināti un nav bojāti.
- Pārbaudiet, vai balsta atlokā nav plaisu. Ja balsta atloks ir bojāts, nomainiet to.

(Att. 32)

- Pārbaudiet, vai trimera galva un griešanas ierīces aizsargs nav bojāts vai saplaisājis. Nomainiet trimera galvu un griešanas ierīces aizsargu, ja tie ir tikuši pakļauti triecienam vai tajos ir plaisas.

(Att. 33)

## Izstrādājuma ieslēgšana

1. Nospiediet un turiet ieslēgšanas pogu, līdz iedegas zaļais LED indikators. (Att. 34)
2. Regulējiet ātrumu ar piedziņas mēlīti.

## Maksimālā ātruma ierobežošanas ar režīma pogu

Izstrādājumam ir režīma poga. Izmantojot režīma pogu, operators var ierobežot maksimālo ātrumu. Režīma pogai ir trīs ātruma līmeņi. Zemāks līmenis paildzina izstrādājuma darbības laiku. Izmantojiet 1. un 2. līmeni, ja darbībai nav nepieciešams maksimāls ātrums/ maksimāla jauda. Ja darba apstākļiem ir nepieciešams

maksimālais ātrums/pilna jauda, izmantojiet 3. līmeni. Neizmantojiet darbam augstāku līmeni, nekā tas ir nepieciešams.

1. Nospiediet režīma pogu, lai iestāfītu maksimālā ātruma ierobežojumu. Ja funkcija ir ieslēgta, iedegas balta gaismas diode. (Att. 35)
2. Vēlreiz nospiediet režīma pogu, lai izvēlētos nākamo ātruma līmeni.

## Automātiskās izslēgšanas funkcija

Izstrādājumam ir izslēgšanas funkcija, kas izslēdz izstrādājumu, ja tas netiek izmantots.

## Zāles griešana, izmantojot trimera galvu

### Zāles apgriešana

1. Turiet trimera galvu slīpi tieši virs zemes. (Att. 36) Nespiediet zāles trimeri tieši zālē.
2. Veicot griešanu objektu tuvumā, izmantojiet 80% ātruma. (Att. 37)

### Zāles pļaušana

1. Pļaujot zāles trimera auklai jāatrodas paralēli zemei. (Att. 38)
2. Nespiediet trimera galvu pret zemi. Var tikt bojāta augsne un izstrādājums.
3. Neļaujiet trimera galvai nepārtraukti pieskarties zemei, jo var tikt bojāta trimera galva.

4. Pārvietojot trimeri no vienas puses uz otru, kad pļaujāt zāli, izmantojiet maksimālu griešanās ātrumu. (Att. 39) Pārliecinieties, ka zāles trimera aukla ir paralēli zemei.

## Zāles aizslaucīšana

Gaisa plūsmu no rotējošās trimmera auklas var izmantot, lai aizvāktu zāli no teritorijas.

1. Turiet trimmera galvu un tās auklu paralēli zemei un virs zemes.
2. Palieliniet ātrumu līdz maksimālajam ātrumam.
3. Virziet trimmera galvu no vienas puses uz otru un aizslaukiet zāli.



**BRĪDINĀJUMS:** Notīriet trimmera galvas pārsegu katru reizi, kad piestiprināt jaunu trimmera auklu, lai novērstu līdzsvara trūkumu un vibrāciju rokturos. Pārbaudiet arī pārējās trimmera galvas daļas un vajadzības gadījumā tās notīriet.

## Izstrādājuma apturēšana

1. Atļaidiet piedziņas mēlīti vai piedziņas mēlītes bloķētāju.
2. Nospiediet apturēšanas pogu. (Att. 34)
3. Nospiediet atļaišanas pogas uz akumulatora un izņemiet akumulatoru. (Att. 40)

## Apkope

### Ievads



**BRĪDINĀJUMS:** Pirms veicat apkopes darbības, izlasiet nodaļu par drošību un pārliecinieties, vai saprotat to.

### Tehniskās apkopes grafiks



**BRĪDINĀJUMS:** Pirms veicat apkopi, izņemiet akumulatoru.

Zemāk ir redzams izstrādājuma apkopes darbību saraksts.

Tehniskā apkope	Katru dienu	Reizi nedēļā	Reizi mēnesī
Trīriet izstrādājuma ārējās daļas ar sausu drānu. Neizmantojiet ūdeni.	X		
Pārliecinieties, ka ieslēgšanas/apturēšanas poga darbojas pareizi un nav bojāta.	X		
Pārbaudiet, vai piedziņas mēlīte un piedziņas mēlītes bloķēšanas funkcija darbojas pareizi un atbilstoši drošības noteikumiem.	X		
Pārliecinieties, ka visas vadības ierīces darbojas un nav bojātas.	X		
Rokturiem jābūt sausiem un tīriem, bez smērvielas un eļļas traipiem.	X		
Pārliecinieties, vai griešanas ierīce nav bojāta. Ja griešanas ierīce ir bojāta, nomainiet to.	X		

Tehniskā apkope	Katru dienu	Reizi nedēļā	Reizi mēnesī
Pārbaudiet, vai griešanas ierīces aizsargs vai nazis nav bojāts. Ja griešanas ierīces aizsargs vai nazis ir bojāts, nomainiet to.	X		
Pārliecinieties, vai skrūves un uzgriežņi ir stingri pievilkti.	X		
Pārbaudiet, vai darbojas akumulatora atbrīvošanas pogas, fiksējot akumulatoru izstrādājumā.	X		
Pārliecinieties, vai akumulators nav bojāts.	X		
Pārliecinieties, vai akumulators ir uzlādēts.	X		
Pārbaudiet, vai akumulatora lādētājs nav bojāts un darbojas pareizi.	X		
Pārbaudiet visus kabelus un savienojumus. Pārliecinieties, vai tie nav bojāti un netīri.		X	
Pārbaudiet, vai koniskais zobrats ir pareizi piepildīts ar smērvielu; skatiet šeit: <i>Konisko zobratu reduktora eļļošana lpp. 246</i> . Ja tā nav, lietojiet Husqvarna koniskā zobrata smērvielu.		X	
Pārbaudiet savienojumus starp akumulatoru un izstrādājumu. Pārbaudiet savienojumu starp akumulatoru un akumulatora lādētāju.			X

## Produkta, akumulatora un akumulatora lādētāja tīrīšana

1. Pēc lietošanas tīriet produktu ar sausu drānu.
2. Tīriet akumulatoru un akumulatora lādētāju ar sausu drānu. Akumulatora vadotnes sliedēm ir vienmēr jābūt tīrām.
3. Pārliecinieties, vai akumulatora un akumulatora lādētāja spaiļes ir tīras, pirms akumulators tiek ievietots akumulatora lādētājā vai produktā.

## Konisko zobratu reduktora eļļošana

1. Noņemiet griešanas aprīkojumu.
2. Novietojiet izstrādājumu tā, lai smērvielas noslēgs būtu augstākajā pozīcijā.
3. Noņemiet smērvielas noslēgu. (Att. 41)

4. Skatieties smērvielas noslēga atverē un grieziet piedziņas vārpstu. Smērvielas līmenim (A) ir jābūt vienā līmenī ar zobrata zobu (B) augšējo daļu. (Att. 42)
5. Ja smērvielas līmenis ir pārāk zems, piepildiet konisko zobratu reduktoru ar Husqvarna konisko zobratu reduktora smērvielu. Piepildīšanu veiciet lēnām, un, lietojot konisko zobratu reduktora smērvielu, grieziet piedziņas vārpstu. Pārtrauciet, kad sasniegts atbilstošais līmenis (B).



**IEVĒROJIET:** Neatbilstošs smērvielas daudzums var radīt konisko zobratu reduktora bojājumu.

6. Uzstādiet smērvielas noslēgu.

## Problēmu novēršana

### Lietotāja saskarne

Problēma	Iespējamās kļūmes	Iespējamā rīcība
Mirgo oranžas krāsas akumulatora LED indikators	Akumulators izlādējies.	Uzlādējiet akumulatoru.

Problēma	Iespējamās kļūmes	Iespējamā rīcība
Kļūdas LED indikatora mirgo sarkanā krāsā.	Pārslodze.	Griešanas ierīce ir bloķēta. Apturiet ierīci. Izņemiet akumulatoru. Notīriet griešanas ierīci no nevēlamajiem materiāliem.
	Temperatūras nobīde.	Ļaujiet izstrādājumam atdzist.
	Piedziņas mēlīte un aktivizēšanas poga tiek nospiesta vienlaikus.	Atlaidiet piedziņas mēlīti, lai izstrādājums tiktu ieslēgts.
Izstrādājums nesāk darboties	Akumulatora savienotajos iekļuvuši netīrumi.	Notīriet akumulatora savienotājus, izmantojot saspiegtu gaisu vai mīkstu suku.
Deg sarkanas krāsas LED indikators	Izstrādājumam ir nepieciešama apkope.	Sazinieties ar apkopes dienesta pārstāvi.

## Pārvadāšana, glabāšana un utilizēšana

### Pārvadāšana un uzglabāšana

- Komplektācijā iekļautie litija jonu akumulatori atbilst bīstamo preču normatīvo aktu prasībām.
- Ievērojiet īpašās prasības, kas sniegtas uz iepakojuma un uzlīmēm attiecībā uz komerciālu transportēšanu, kā arī trešo pušu un sūtīšanas aģentu prasības.
- Pirms nosūtīt izstrādājumu, konsultējieties ar bīstamo preču apstrādes speciālistu. Ievērojiet visus spēkā esošos valsts likumus.
- Kad ievietojat akumulatoru iepakojumā, atvērtiem kontaktiem pievienojiet līmlenti. Ievietojiet akumulatoru iepakojumā cieši, lai novērstu kustēšanos.
- Transportēšanas vai glabāšanas nolūkos izņemiet akumulatoru.
- Novietojiet akumulatoru un akumulatora lādētāju sausā vietā, kuru neietekmē mitrums un sals.
- Neglabājiet akumulatoru vietās, kur var rasties statiskā elektrība. Neglabājiet akumulatoru metāla kārbā.
- Novietojiet akumulatoru glabāšanai vietā, kur temperatūra ir diapazonā no 5 °C/41 °F līdz 25 °C/77 °F un ko neskar tieša saules gaisma.
- Novietojiet lādētāju glabāšanai vietā, kur temperatūra ir diapazonā no 5 °C/41 °F līdz 45 °C/113 °F un ko neskar tieša saules gaisma.
- Izmantojiet akumulatoru lādētāju tikai tad, ja apkārtējā temperatūra ir diapazonā no 5 °C/41 °F līdz 40 °C/104 °F.

- Pirms akumulatoru novietošanu ilgstošai uzglabāšanai, uzlādējiet to par 30–50%.
- Novietojiet akumulatora lādētāju slēgtā un sausā vietā.
- Uzglabāšanas laikā neturiet akumulatoru lādētāja tuvumā. Neļaujiet bērniem un citām nesankcionētām personām pieskarties aprīkojumam. Glabājiet aprīkojumu slēdzamā vietā.
- Notīriet izstrādājumu un veiciet pilnu apkopi, pirms novietošanu ilgstošai glabāšanai.
- Izmantojiet transportēšanas aizsargu uz izstrādājuma, lai novērstu traumas vai izstrādājuma bojājumus transportēšanas vai glabāšanas laikā.
- Transportēšanas laikā droši nostipriniet izstrādājumu.

### Akumulatora, lādētāja un produkta likvidācija

Simboli uz izstrādājuma vai tā iepakojuma norāda, ka šis izstrādājums nav sadzīves atkritums. Utilizējiet to elektrisko un elektronisko ierīču pārstrādes uzņēmumā. Tādējādi tiek samazināta kaitīgā ietekme uz vidi un cilvēkiem.

Lai saņemtu papildinformāciju par izstrādājuma pārstrādi, sazinieties ar vietējām iestādēm, mājāsaimniecības atkritumu savākšanas pakalpojumu sniedzēju vai izplatītāju.

## Tehniskie dati

### Tehniskie dati

	<b>325iL</b>
<b>Motors</b>	
Motora tips	BLDC (bezsku) 36 V
Dzenamās vārpstas apgriezību skaits, apgr./min	5800
Pļaušanas platums, mm	420
<b>Svars</b>	
Svars bez akumulatora un griešanas ierīces, kg	3,0
<b>Trokšņa emisija</b> <sup>46</sup>	
Skaņas jaudas līmenis, izmērītais dB (A)	93
Skaņas jaudas līmenis, garantētais L <sub>WA</sub> dB (A)	96
<b>Trokšņa līmeņi</b> <sup>47</sup>	
Ekvivalents skaņas spiediena līmenis pie lietotāja auss, mērīts saskaņā ar standarta ISO 22868 prasībām, dB (A)	
Aprūkots ar trimera galvu (oriģināls)	84
<b>Vibrācijas līmeņi</b> <sup>48</sup>	
Vibrācijas līmeņi pie rokturiem, mērīti atbilstoši standartam ISO 22867, m/s <sup>2</sup>	
Aprūkots ar trimera galvu (oriģināls), priekšpusē/aizmugurē, m/s <sup>2</sup>	4,3/2,9

### Apstiprinātie akumulatori

<b>Akumulators</b>	<b>BLI 200</b>
Tips	Litija jonu
Akumulatora kapacitāte, Ah	5,2
Nominālais spriegums, V	36

<sup>46</sup> Atbilstoši EK direktīvai 2000/14/EK trokšņa emisija apkārtne ir mērīta kā akustiskā jauda (LWA). Novērotais ierīces skaņas jaudas līmenis ir izmērīts ar pievienotu oriģinālo griešanas ierīci, kas rada augstāko līmeni. Atšķirība starp garantēto un izmērīto skaņas jaudas līmeni ir tāda, ka garantētā skaņas intensitātes līmeņa mērījumu rezultāts ietver arī izkliedi mērījuma rezultātā un atšķirības dažādām tā paša modeļa ierīcēm atbilstoši direktīvai 2000/14/EK.

<sup>47</sup> Sniegtajos datos par ierīces skaņas spiediena līmeni ir tipiska statistiskā 3 dB (A) izkliede (standartnovirze), mērot ar oriģinālo palīgierīci, kas rada augstāko trokšņa līmeni.

<sup>48</sup> Sniegtajos datos par vibrācijas līmeni tipiska statistiskā izkliede ir 2 m/s<sup>2</sup> (standarta novirze). Vibrācijas līmeņa, akumulatora un sadegšanas produktu salīdzinājumam izmantojiet vibrācijas kalkulatoru. <https://www.husqvarna.com/uk/services-solutions/vibration-calculator/>.



<b>Akumulators</b>	<b>BLI 200</b>
Svars, kg (mārciņas)	1,3 (2,9)

### Apstiprinātie akumulatoru lādētāji

<b>Akumulatora lādētājs</b>	<b>QC330</b>
Ieejas spriegums, V	100–240
Frekvence, Hz	50-60
Jauda, W	330

---

## Piederumi

---

### Piederumi

Apstiprinātie piederumi	Piederumu veids	Pļaušanas ierīces aizsargs, preces nr.
Asmeņu/nažu centra atvere, Ø 25,4 mm		
Dzenamās vārpstas vītne M10		
Trimera galva	T35 (vītā trimera aukla, maks. Ø 2,4 mm)	597 01 62-02

# Atbilstības deklarācija

## ES atbilstības deklarācija

Mēs, **Husqvarna AB**, SE-561 82 Huskvarna, Zviedrija, tālr. +46-36-146500, ar pilnu atbildību apliecinām, ka šis izstrādājums:

<b>Apraksts</b>	Ar akumulatoru darbināms zāles trimeris
<b>Zīmols</b>	Husqvarna
<b>Tips/modelis</b>	325iL
<b>Identifikācija</b>	Ar sērijas numuriem no 2023 un turpmākiem sērijas numuriem

pilnībā atbilst šādām ES direktīvām un noteikumiem:

Direktīva/regula	Apraksts
2006/42/EK	“par mehānismiem”
2014/30/EMS	“par elektromagnētisko savietojamību”
2011/65/ES	“par bīstamu vielu izmantošanas ierobežošanu”
2000/14/EK	“par trokšņa emisiju vidē”

un ir ievēroti zemāk norādītie saskaņotie standarti un/vai tehniskie dati: EN 62841-1:2015/AC:2015, EN 62841-4-4 (IEC 62841-4-4:2020), EN 61000-6-1:2007 (Immunity), EN 61000-6-3:2007/A1:2011/AC:2012 (Emission).



RISE SMP Svensk Maskinprovning AB, Box 4053, SE-904 03 Umeå, Sweden ir veicis brīvprātīgu tipa pārbaudi saskaņā ar direktīvas 2006/42/EK IX pielikumu. Sertifikāta nr.: SEC/23/2579.

Notified body: 0404, RISE SMP Svensk Maskinprovning AB, Box 4053, SE-904 03 Umeå, Sweden ir arī pārbaudījis atbilstību Eiropas Padomes direktīvas 2000/14/EK VI pielikumam.

Informāciju par trokšņa emisiju skatiet šeit: *Tehniskie dati lpp. 248.*

Huskvarna, 2022-12-01

Stefan Holmberg, R&D Director, Technology Management, Husqvarna AB

Atbildīgais par tehnisko dokumentāciju

---

## Inhoud

---

Inleiding.....	251	Vervoer, opslag en verwerking.....	263
Veiligheid.....	252	Technische gegevens.....	263
Montage.....	259	Accessoires.....	265
Werking.....	260	Verklaring van overeenstemming.....	266
Onderhoud.....	261	Bijlage .....	447
Probleemoplossing.....	262		

---

## Inleiding

---

### Productbeschrijving

Husqvarna 325iL is een grastrimmer met accu en een elektromotor.

Er wordt voortdurend gewerkt aan het verhogen van uw veiligheid en efficiëntie tijdens bedrijf. Neem voor meer informatie contact op met uw servicedealer.

### Gebruik

Gebruik het product met een trimmerkop voor het snoeien van verschillende soorten vegetatie. Gebruik

het product niet voor andere werkzaamheden dan het trimmen en maaien van gras.

---

**Let op:** Landelijke of lokale wettelijke voorschriften kunnen van toepassing zijn op het gebruik. Volg de eventuele voorschriften op.

---

Gebruik het product uitsluitend met accessoires die door de fabrikant zijn goedgekeurd. Zie *Accessoires op pagina 265*.

### Productoverzicht

(Fig. 1)

1. Bedieningshandleiding
2. Haakse overbrenging
3. Opening voor borgpen
4. Trimmerkop
5. Beschermkap voor snijuitrusting
6. Meenemer
7. Ring-steeksleutel
8. Lusgreep
9. Knop
10. Steel
11. Borgpen
12. Waarschuwingsindicator led
13. Start/stop-knop
14. Snelheidsmodusknop
15. Vergrendeling voedingsschakelaar
16. Gebruikers interface
17. Voedingsschakelaar
18. Acculaadkabel
19. Acculader
20. Spannings- en waarschuwings-led
21. Accuontgrendelknoppen
22. Accu
23. Led-indicator voor de laadstatus
24. Waarschuwings-led
25. Accu-indicatieknop

### Symbolen op het product

(Fig. 2)

**WAARSCHUWING!** Dit product kan gevaarlijk zijn! Onzorgvuldig of onjuist gebruik kan leiden tot ernstig of fataal letsel bij de gebruiker of anderen. Het is uiterst belangrijk dat u de inhoud van deze bedieningshandleiding doorleest en begrijpt. Lees de bedieningshandleiding zorgvuldig door en zorg dat u de instructies hebt begrepen voordat u het product gebruikt.

(Fig. 3)

Gebruik goedgekeurde gehoorbescherming. Gebruik goedgekeurde oogbescherming.

(Fig. 4)

Maximumsnelheid of onbelaste snelheid.

XXXX /min of  
min<sup>-1</sup>

Omwentelingen of heen en weer gaande bewegingen per minuut.

(Fig. 5)

Nominale spanning, V

(Fig. 6)

Gelijkstroom.

(Fig. 7)

Het product voldoet aan de geldende EG-richtlijnen.

(Fig. 8)	Dit product voldoet aan de geldende VK-regelgeving.		kunnen kaatsen. Dit kan leiden tot ernstig oogletsel, als de aanbevolen veiligheidsuitrusting niet wordt gebruikt.
(Fig. 9)	Draag goedgekeurde veiligheidshandschoenen.	(Fig. 14)	Koppel de accu los voor onderhoud.
(Fig. 10)	Gebruik antisliplaarzen voor zwaar gebruik.	(Fig. 15)	Het product biedt bescherming tegen opspattend water.
(Fig. 11)	Gebruik alleen niet-metalen flexibele snijuitrustingen.	(Fig. 16)	Houd alle lichaamsdelen uit de buurt van de hete oppervlakken.
(Fig. 12)	Symbolen op het product of op de verpakking geven aan dat dit product niet beschouwd kan worden als huishoudelijk afval. Dit product moet worden afgevoerd via de daartoe aangewezen recyclingfaciliteiten.	(Fig. 17)	Geluidsemissie naar het omgevingslabel volgens de richtlijnen en voorschriften van de EU en het VK en de wetgeving van Nieuw-Zuid-Wales "Protection of the Environment Operations (Noise Control) Regulation 2017". Het gegarandeerde geluidsvermogensniveau van het product staat vermeld in <i>Technische gegevens op pagina 263</i> .
(Fig. 13)	Het opzetstuk kan voorwerpen met geweld wegslingeren, die terug		

**yyyywwxxxx**

Het serienummer staat op het productplaatje. **yyyy** is het productiejaar, **ww** is de productieweek en **xxxx** is het serienummer.

(Fig. 18) De gebruiker dient ervoor te zorgen dat geen mensen of dieren dichterbij komen dan 15 meter. Indien meerdere gebruikers werken in hetzelfde werkgebied, is de onderlinge veiligheidsafstand min. 15 meter.

**Let op:** Andere symbolen/stickers op het product hebben betrekking op certificeringseisen voor overige commerciële markten.

## Schade aan het product

We zijn niet verantwoordelijk voor schade aan ons product als:

- het product niet goed is gerepareerd.
- het product is gerepareerd met onderdelen die niet van de fabrikant afkomstig zijn, of onderdelen die niet zijn goedgekeurd door de fabrikant.
- het product een accessoire bevat dat niet afkomstig is van de fabrikant of niet is goedgekeurd door de fabrikant.
- het product niet is gerepareerd door een erkend servicepunt of door een erkende autoriteit.

# Veiligheid

## Veiligheidsdefinitie

Waarschuwingen, voorzorgsmaatregelen en opmerkingen worden gebruikt om te wijzen op belangrijke delen van de handleiding.

de omgeving wanneer de instructies in de handleiding niet worden gevolgd.



**WAARSCHUWING:** Wordt gebruikt om te wijzen op de kans op ernstig of fataal letsel voor de gebruiker of omstanders wanneer de instructies in de handleiding niet worden gevolgd.

**Let op:** Geven verdere informatie die nodig is in een bepaalde situatie.



**OPGELET:** Wordt gebruikt indien er een risico bestaat op schade aan het product en andere eigendommen of aan

## Algemene veiligheidswaarschuwingen voor elektrisch gereedschap



**WAARSCHUWING:** Lees alle veiligheidswaarschuwingen, instructies, illustraties en specificaties die worden meegeleverd met dit elektrisch gereedschap. Het niet opvolgen van ieder van de onderstaande instructies kan leiden

tot elektrische schokken, brand en/of ernstig letsel.

- **Bewaar alle waarschuwingen en instructies voor later gebruik.** De term "elektrisch gereedschap" in de waarschuwingen verwijst zowel naar gereedschappen die op het lichtnet (met snoer) werken als gereedschappen die met een accu (snoerloos) werken.

## Veiligheid van het werkgebied

- **Zorg ervoor dat de werkplek schoon en goed verlicht is.** In rommelige of donkere gebieden gebeuren eerder ongelukken.
- **Gebruik elektrisch gereedschap niet in een omgeving waar ontploffingsgevaar bestaat, zoals in de buurt van brandbare vloeistoffen, gassen of stof.** Elektrische apparaten creëren vonken waardoor het stof of de dampen kunnen ontbranden.
- **Houd kinderen en omstanders op afstand wanneer u elektrisch gereedschap gebruikt.** U kunt de controle over het apparaat verliezen als u afgeleid wordt.

## Elektrische veiligheid

- **Elektrisch gereedschap moet geschikt zijn voor het betreffende stopcontact. Wijzig nooit de stekker. Gebruik nooit een adapterstekker in combinatie met geaarde elektrische gereedschappen.** Ongewijzigde stekkers en overeenkomende stopcontacten verkleinen het risico op elektrische schokken.
- **Vermijd lichamelijke contact met geaarde oppervlakken, zoals buizen, radiatoren, fornuizen en koelkasten.** Er is een verhoogd risico op elektrische schokken als uw lichaam geaard is.
- **Stel elektrische gereedschappen niet bloot aan regen of vochtige omstandigheden.** Water dat in elektrisch gereedschap binnendringt, verhoogt het risico op elektrische schokken.
- **Gebruik de kabel niet voor oneigenlijke doeleinden. Gebruik de kabel nooit om het elektrische apparaat te dragen, het mee te slepen of om de stekker uit het stopcontact te trekken. Houd de kabel uit de buurt van warmte, olie, scherpe randen en bewegende onderdelen.** Beschadigde of in de knoop geraakte kabels verhogen het risico op elektrische schokken.
- **Gebruik een verlengkabel die geschikt is voor gebruik buitenshuis wanneer u buiten werkt met elektrisch gereedschap.** Het gebruik van een kabel die geschikt is voor gebruik buitenshuis, vermindert het risico op elektrische schokken.
- **Als gebruik van een elektrisch apparaat in een vochtige omgeving onvermijdelijk is, gebruik dan een netvoeding met reststroombescherming (RCD).** Het gebruik van een aardlekschakelaar vermindert het risico op elektrische schokken.

## Persoonlijke veiligheid

- **Wees altijd alert, kijk wat u doet en gebruik uw gezonde verstand wanneer u elektrisch gereedschap gebruikt. Gebruik elektrisch gereedschap niet als u**

**moe bent of onder invloed bent van drugs, alcohol of medicijnen.** Een moment van onoplettendheid tijdens het gebruik van elektrische apparaat kan leiden tot ernstig persoonlijk letsel.

- **Maak altijd gebruik van persoonlijke beschermingsmiddelen. Draag altijd oogbescherming.** Beschermingsmiddelen zoals een stofmasker, veiligheidsschoenen met antislipprofiel, een veiligheidshelm of gehoorbescherming in relevante werkomstandigheden beperken letsel.
- **Voorkom een onbedoelde start. Zorg ervoor dat de schakelaar in de stand Off staat voordat u het gereedschap aansluit op een spanningsbron en/of accupack, oppakt of draagt.** Het dragen van elektrische apparaten met uw vinger op de schakelaar of het onder spanning zetten van elektrische apparaten waarvan de schakelaar op aan staat, kan makkelijk leiden tot ongelukken.
- **Verwijder eventuele (instel)sleutels voordat u het elektrisch gereedschap inschakelt.** Een sleutel die is bevestigd aan een draaiend onderdeel van het elektrische gereedschap kan persoonlijk letsel tot gevolg hebben.
- **Voorkom overstrekken. Zorg dat u te allen tijde stevig en in balans staat.** Hierdoor heeft u een betere controle over het apparaat in onverwachte situaties.
- **Draag geschikte kleding. Draag geen losse kleding of sieraden. Houd uw haar en kleding uit de buurt van bewegende onderdelen.** Losse kleding, sieraden of lang haar kunnen verstrikt raken in bewegende onderdelen.
- **Als de mogelijkheid bestaat voor het opvangen van stof moet u ervoor zorgen dat deze is aangesloten en op de juiste wijze wordt gebruikt.** Het gebruik van stofopvang kan stofgerelateerde gevaren beperken.
- **Laat de vertrouwdheid met de door u gebruikte apparaten door het frequente gebruik ervan niet toe leiden dat u de veiligheidsprincipes negeert.** Een onzorgvuldige handeling kan binnen een fractie van een seconde leiden tot ernstig letsel.

## Gebruik en verzorging van elektrische apparaten

- **Gebruik elektrische gereedschap niet voor taken waarvoor het niet geschikt is. Gebruik het juiste elektrische apparaat voor uw toepassing.** Met het juiste elektrische apparaat kunt u de taak beter en veiliger uitvoeren met de snelheid waarvoor het is ontworpen.
- **Gebruik het elektrisch gereedschap niet als de aan/uitschakelaar niet werkt.** Elektrische apparaten die niet bediend kunnen worden met de schakelaar zijn gevaarlijk en moeten gerepareerd worden.
- **Haal de stekker uit het stopcontact en/of verwijder het accupack (indien verwijderbaar) van het elektrische gereedschap voordat u aanpassingen maakt, accessoires verwisselt of het elektrische gereedschap opbergt.** Deze voorzorgsmaatregelen

verkleinen het risico op het per ongeluk starten van het elektrische apparaat.

- **Berg elektrisch gereedschap dat u niet nodig hebt op buiten het bereik van kinderen en laat personen die onbekend zijn met het elektrisch gereedschap of deze instructies niet werken met het elektrisch gereedschap.** Elektrische apparaten zijn gevaarlijk in handen van ongetrainde gebruikers.
- **Zorg voor een deugdelijk onderhoud van elektrische gereedschappen en accessoires.** Controleer op onjuiste montage of vastlopen van bewegende delen, gebroken onderdelen en andere condities die de werking van het elektrische gereedschap kunnen beïnvloeden. Als het elektrische apparaat beschadigd is, moet u het laten repareren voordat u het gebruikt. Veel ongelukken worden veroorzaakt door slecht onderhouden elektrische apparaten.
- **Houd snijgereedschappen scherp en schoon.** Goed onderhouden snijgereedschappen met scherpe snijranden zullen minder gauw vastlopen en zijn eenvoudiger onder controle te houden.
- **Gebruik het elektrisch gereedschap, de accessoires, gereedschapsbits en dergelijke in overeenstemming met deze instructies en houd hierbij rekening met de werkomstandigheden en het type klus dat moet worden uitgevoerd.** Als u het elektrische apparaat voor andere toepassingen gebruikt dan waarvoor het is bedoeld, kan er een gevaarlijke situatie ontstaan.
- **Houd de handgrepen en grijppoppervlakken droog, schoon en vrij van olie en vet.** Als handgrepen en grijppoppervlakken glad zijn, kan dit ervoor zorgen dat het gereedschap in onverwachte situaties niet veilig kan worden gehanteerd en bediend.

## Gebruik en onderhoud van gereedschap met accu

- **Laad het gereedschap alleen op met de lader die door de fabrikant is gespecificeerd.** Een lader die voor een bepaald type accu geschikt is, kan een risico op brand creëren als de lader met een andere accu wordt gebruikt.
- **Gebruik elektrisch gereedschap enkel met de specifiek hiervoor bedoelde accu.** Als er andere accupacks worden gebruikt, bestaat er risico op letsel en brand.
- **Als het accupack niet gebruikt wordt, houd hem dan uit de buurt van andere metalen voorwerpen, zoals paperclips, munten, sleutels, spijkers, schroeven of andere kleine metalen voorwerpen die een verbinding tussen de twee klemmen kunnen maken.** Als er kortsluiting tussen de accuaansluitingen ontstaat, kunnen er brandwonden of brand ontstaan.
- **Als het accupack verkeerd wordt gebruikt, kan er vloeistof uit de accu komen; zorg dat u deze niet aanraakt. Als u per ongeluk in contact komt met de vloeistof, afspoelen met water. Als er vloeistof in de ogen komt dient u medische hulp in te roepen.** Vloeistof die uit de accu komt kan irritatie of brandwonden veroorzaken.

- **Gebruik geen accupack of product dat beschadigd of gewijzigd is.** Beschadigde of aangepaste accu's kunnen onvoorspelbaar gedrag vertonen, wat kan leiden tot brand, explosies of letsel.
- **Stel het accupack of product niet bloot aan vuur of hoge temperaturen.** Blootstelling aan vuur of temperaturen hoger dan 130 °C kan een explosie veroorzaken.
- **Volg alle oplaadinstructies op en laad de accu of het product niet op bij temperaturen die buiten het in de instructies gespecificeerde bereik vallen.** Door onjuist opladen of opladen bij temperaturen die buiten het gespecificeerde bereik liggen, kan de accu beschadigd raken en neemt het risico op brand toe.

## Service

- **Laat uw elektrische apparaat repareren door een gekwalificeerde monteur en gebruik uitsluitend identieke vervangingsonderdelen.** Dit zorgt ervoor dat de veiligheid van het elektrisch gereedschap wordt gehandhaafd.
- **Voer nooit onderhoud uit aan beschadigde accupacks.** Onderhoud aan accupacks mag alleen worden uitgevoerd door de fabrikant of geautoriseerde dienstverleners.

## Veiligheidswaarschuwingen grastrimmer, bosmaaier en borstelzaag

- **Gebruik de machine niet bij slechte weersomstandigheden, vooral wanneer er een risico op bliksem bestaat.** Dit vermindert het risico op blikseminslag.
- **Inspecteer het gebied waar de machine wordt gebruikt grondig op wilde dieren.** Wilde dieren kunnen tijdens gebruik gewond raken door de machine.
- **Onderwerp het gebied waar de machine gebruikt gaat worden aan een grondige inspectie en verwijder alle stenen, stokken, draden, beenderen, en andere voorwerpen.** Weggeslingerde objecten kunnen lichamelijk letsel veroorzaken.
- **Voer voorafgaand aan gebruik altijd een visuele inspectie uit om te controleren of de doorslijper of het blad en de doorslijper- of bladeenheid niet beschadigd zijn.** Beschadigde onderdelen verhogen het risico op letsel.
- **Volg de instructies voor het wijzigen van accessoires.** Onjuist vastgezette bladborgmoeren of -bouten kunnen het blad beschadigen of ertoe leiden dat het losraakt.
- **De nominale draaisnelheid van de doorslijper moet minstens zo groot zijn als de maximale draaisnelheid die op de machine aangegeven staat.** Doorslijpers die sneller lopen dan de nominale draaisnelheid kunnen uit elkaar vliegen.
- **Draag oog-, oor-, hoofd- en handbescherming.** Als u een geschikte beschermende uitrusting draagt, neemt de kans op persoonlijk letsel door

rondvliegend vuil of onbedoeld contact met de snijlijn of het blad.

- **Draag tijdens het bedienen van de machine altijd beschermend schoeisel met antislipzool. Bedien de machine niet op blote voeten of met open sandalen aan.** Dit vermindert de kans op letsel aan de voeten door contact met een bewegende doorslijper, lijn of blad.
- **Draag tijdens de bediening van de machine altijd een lange broek.** Blootliggende huid verhoogt de kans op letsel door weggeslingerde voorwerpen.
- **Houd omstanders uit de buurt tijdens het bedienen van de machine.** Wegslingerend afval kan leiden tot ernstig persoonlijk letsel.
- **Gebruik altijd twee handen bij het bedienen van de machine.** Houd de machine met beide handen vast om te voorkomen dat u de controle verliest.
- **Houd de machine alleen vast aan de geïsoleerde handgrepen, omdat de snijlijn of het blad verborgen bedrading kan raken.** Als de snijlijn of bladen een onder stroom staande draad aanraakt, kan dit ervoor zorgen dat niet-geïsoleerde delen van de machine onder stroom komen, waardoor de gebruiker een elektrische schok kan krijgen.
- **Ga altijd goed staan en bedien de machine alleen terwijl u op de grond staat.** Gladde of onstabiele oppervlakken kunnen ervoor zorgen dat u uw evenwicht of de controle over de machine verliest.
- **Gebruik de machine niet op extreem steile hellingen.** Dit verkleint het risico van controleverlies, uitglijden en vallen, wat kan leiden tot lichamelijk letsel.
- **Wees bij het werken op hellingen altijd zeker van uw grip, werk altijd dwars over het oppervlak van hellingen, nooit omhoog of omlaag en wees uiterst voorzichtig wanneer u van richting verandert.** Dit verkleint het risico van controleverlies, uitglijden en vallen, wat kan leiden tot lichamelijk letsel.
- **Houd alle lichaamsdelen uit de buurt van de doorslijper, de lijn of het blad als de machine in werking is. Voordat u de machine start, zorg u ervoor dat de doorslijper, de lijn of het blad nergens contact mee maakt.** Een moment van onoplettendheid tijdens het gebruik van de machine kan leiden tot letsel bij uzelf of anderen.
- **Gebruik de machine niet boven heuphoogte.** Zo voorkomt u onbedoeld contact met de doorslijper of het blad en houdt u de machine in onverwachte situaties beter onder controle.
- **Als u struiken of jonge bomen doorzaagt die onder spanning staat, zorg dan dat de tak u niet kan raken.** Als de spanning in de houtvezels vrijkomt, kan de struik of jonge boom de gebruiker raken en/of ervoor zorgen dat de gebruiker de machine niet meer onder controle heeft.
- **Wees zeer voorzichtig als u struiken en jonge bomen zaagt.** Het blad kan vast komen te zitten in het dunne materiaal en naar u toe zwiepen of u uit uw evenwicht brengen.
- **Houd de controle over de machine en raak doorslijpers, lijnen of bladen en andere gevaarlijke**

**bewegende delen niet aan terwijl ze nog in beweging zijn.** Dit verlaagt het risico op letsel door bewegende delen.

- **Als u vastgelopen materiaal verwijdert of onderhoud aan de machine uitvoert, dient u ervoor te zorgen dat alle schakelaars zijn uitgeschakeld en dat de stroomkabel is losgekoppeld.** Indien de machine onverwacht wordt gestart tijdens het verwijderen van vastgelopen materiaal of onderhoud, kan dit leiden tot ernstig persoonlijk letsel.
- **Draag de machine van uw lichaam af en zorg ervoor dat deze uitgeschakeld is.** Op de juiste manier omgaan met de machine vermindert de kans op onbedoeld contact met de bewegende doorslijper, lijn of blad.
- **Breng altijd de beschermkap op de metalen bladen aan wanneer u de machine vervoert of opslaat.** Op de juiste manier omgaan met de machine vermindert de kans op onbedoeld contact met het blad.
- **Gebruik uitsluitend vervangende doorslijpers, lijnen, snoekoppen en bladen die door de fabrikant zijn gespecificeerd.** Onjuiste vervangende onderdelen kunnen het risico op breuken en letsel verhogen.

## Overige algemene veiligheidsinformatie

- Schakel het product uit wanneer u zich verplaatst. Verwijder altijd de accu wanneer u het product aan een andere persoon geeft.
- Leg het product nooit neer zonder het uit te schakelen en de accu te verwijderen. Laat het product nooit onbeheerd achter terwijl het ingeschakeld is.
- Het maaigereedschap stopt niet onmiddellijk nadat het product is uitgeschakeld.
- Controleer het product voor gebruik en na vallen of stoten op tekenen van slijtage of beschadiging en repareer indien nodig.
- Als er iets in de snijuitrusting vast komt te zitten terwijl u het product bedient, moet u het product stoppen en uitschakelen. Zorg ervoor dat de snijuitrusting volledig tot stilstand komt. Verwijder de accu voordat u het product en/of de snijuitrusting schoonmaakt, inspecteert of repareert.
- Controleer het product vóór gebruik. Raadpleeg *Veiligheidsvoorzieningen op het product op pagina 257 en Onderhoud op pagina 261*. Gebruik nooit een defect product. Voer de in deze handleiding beschreven veiligheidscontroles en de onderhouds- en service-instructies uit.
- Het gebruik van defecte snijuitrustingen kan het risico op ongevallen vergroten.
- Controleer het tandwiel op vuil en barsten. Gebruik een borstel om het tandwiel te ontdoen van gras en bladeren. Draag handschoenen indien nodig.
- Zorg dat de ventilatieopeningen altijd vrij zijn van afvalmaterialen.
- Controleer of de trimmerkop volledig op de trimmer is bevestigd.

- Alle deksels, beschermingen en hendels moeten aangebracht zijn voor u start.
- Controleer of het product in goede staat is. Controleer of alle moeren en bouten goed vastgedraaid zijn.
- Controleer de trimmerkop en de trimmerbeschermkap op beschadigingen en barsten. Vervang de trimmerkop of de trimmerbeschermkap indien deze is blootgesteld aan slagbelasting of barsten vertoont. Gebruik altijd de aanbevolen beschermkap voor die specifieke snijuitrusting. Raadpleeg *Accessoires op pagina 265*.
- Dit product kan bij onvoorzichtig of onjuist gebruik een gevaarlijk gereedschap zijn. Dit product kan ernstig of fataal letsel toebrengen aan de gebruiker of anderen.
- Dit apparaat is niet bedoeld voor gebruik door personen (waaronder kinderen) met fysieke, zintuiglijke of geestelijke beperkingen, of een gebrek aan kennis en ervaring, tenzij ze begeleiding bij of aanwijzingen voor het gebruik van het apparaat hebben ontvangen van een persoon die verantwoordelijk is voor hun veiligheid. Kinderen moeten onder toezicht worden gehouden om er zeker van te zijn dat ze niet met het apparaat spelen.
- Sta nooit toe dat kinderen de machine gebruiken of in de buurt van de machine komen. De machine start gemakkelijk, zodat kinderen deze mogelijk kunnen starten wanneer ze niet onder volledig toezicht staan. In dat geval kan er een risico op ernstig persoonlijk letsel bestaan. Koppel de accu daarom los wanneer de machine niet onder streng toezicht staat.
- Laat het product nooit gebruiken door kinderen of andere personen die niet zijn opgeleid voor het gebruik of onderhoud van het product en/of de accu.
- Sla de apparatuur op in een afsluitbare ruimte zodat het buiten het bereik is van kinderen en onbevoegde personen.
- Houd handen en voeten altijd uit de buurt van de maaizeon, in het bijzonder bij het inschakelen van de motor.
- Houd uw handen en voeten uit de buurt van de snijuitrusting totdat deze volledig is gestopt wanneer het product is uitgeschakeld.
- Verwijder het gesneden materiaal niet en laat het niet door anderen verwijderen terwijl het product is ingeschakeld of de snijuitrusting draait. Dit kan ernstig letsel veroorzaken.
- Denk erom dat het uw verantwoordelijkheid als gebruiker is om mensen en hun eigendommen niet bloot te stellen aan ongelukken of gevaar.
- De oorspronkelijke vormgeving van het product mag in geen enkel geval worden gewijzigd zonder toestemming van de fabrikant. Gebruik altijd originele accessoires. Niet goedgekeurde wijzigingen en/of niet-originele onderdelen kunnen tot ernstig persoonlijk letsel of de dood van zowel gebruiker als omstanders leiden. Uw garantie dekt mogelijk geen schade of aansprakelijkheid als gevolg van het gebruik van niet-goedgekeurde accessoires of vervangende onderdelen.
- De enige accessoires die u samen met dit product kunt gebruiken, zijn de snijuitrustingen die worden aanbevolen in het hoofdstuk *Accessoires*. Raadpleeg *Accessoires op pagina 265*.
- Gebruik nooit een product dat zo gewijzigd is dat het niet langer overeenkomt met de originele uitvoering
- Gebruik nooit een machine die defect is. Voer de in deze handleiding beschreven veiligheidscontroles en de onderhouds- en service-instructies uit. Bepaalde onderhouds- en servicemaatregelen moeten door opgeleide en gekwalificeerde specialisten worden uitgevoerd. Zie de instructies in het hoofdstuk *Onderhoud*.
- Werken in slechte weersomstandigheden is vermoeiend en kan tot extra gevaarlijke situaties leiden. Het is in verband met het extra gevaar niet aanbevolen om de machine te gebruiken bij zeer slecht weer, bijvoorbeeld dichte mist, zware regen, sterke wind, intense koude of bij risico op bliksem, etc.
- Werk nooit op een ladder, stoel of andere verhoging die niet stevig vast staat.
- Inactieve apparaten binnen opslaan - als het apparaat niet in gebruik is, moet het binnenshuis worden opgeslagen
- Het is niet mogelijk om elke mogelijke situatie te vermelden. Wees altijd voorzichtig en gebruik uw gezond verstand. Vermijd situaties die uw capaciteiten te boven gaan. Als u na het lezen van deze instructies nog vragen hebt over de bedieningsprocedures dient u een expert te raadplegen voordat u verder gaat.
- Zorg ervoor dat er zich geen personen of dieren op een afstand kleiner dan 15 meter bevinden terwijl u werkt. Indien meerdere gebruikers in hetzelfde gebied werken, moet de veiligheidsafstand minimaal 15 meter bedragen. Anders is er een risico op ernstig persoonlijk letsel. Schakel het product onmiddellijk uit indien iemand dichterbij komt. Draai het product nooit rond zonder eerst te controleren of er achter u niet iemand zich in de veiligheidszone bevindt.
- Zorg ervoor dat mensen, dieren of andere dingen geen invloed hebben op uw controle over het product en dat ze niet in contact komen met de snijuitrusting of losse objecten die worden uitgeworpen door de snijuitrusting. Gebruik het product echter nooit zonder de mogelijkheid hulp in te kunnen roepen in geval van nood.
- Zorg ervoor dat u veilig kunt gaan en staan. Controleer of er eventuele hindernissen zijn als u onverwacht snel moet kunnen weggomen (wortels, stenen, takken, kuilen, greppels enz.). Wees extra voorzichtig wanneer u op hellend terrein werkt.
- U dient uitsluitend te lopen, nooit te rennen.
- Controleer het werkgebied. Verwijder alle losse voorwerpen, zoals stenen, stukjes glas, spijkers, ijzerdraad, touw en dergelijke, die weggeslingerd



kunnen worden of vast kunnen komen zitten in de maaier of beschermkap.

- Wees alert op stukken tak die tijdens het snijden weggeslingerd kunnen worden. Snijd niet te dicht bij de grond waar stenen en andere voorwerpen kunnen worden weggeslingerd.
- Zorg ervoor dat kleding of lichaamsdelen niet in contact komen met de snijuitrusting wanneer het product is ingeschakeld. Houd het product altijd onder taillehoogte.
- Kijk uit voor wegschietende objecten. Gebruik altijd goedgekeurde oogbescherming. Leun nooit over de beschermkap van de snijuitrusting. Stenen, afval, enz. kunnen omhoog schieten in uw ogen en blindheid of ernstig letsel veroorzaken.
- Let als u gehoorbescherming draagt op waarschuwingssignalen of geschreeuw. Doe uw gehoorbescherming altijd af zodra het product is gestopt.
- Wanneer zich ongewenste trillingen voordoen, moet u een nieuw stuk draad naar buiten tikken. Wanneer de draad de juiste lengte heeft, stoppen de trillingen.
- Als het product overmatig begint te trillen, stopt u het product en verwijdert u de accu.
- Overmatige blootstelling aan trillingen kan leiden tot blootvat- en zenuwbeschadigingen bij personen met een slechte bloedcirculatie. Consulteer uw dokter wanneer u symptomen waarneemt die wijzen op overmatige blootstelling aan trillingen. Dergelijke symptomen zijn o.a. een doof gevoel, gevoelloosheid, tintelingen, een prikkelend gevoel, pijn, krachtverlies, veranderingen van huidskleur of conditie van de huid. Deze symptomen worden meestal waargenomen in de vingers, handen of polsen.
- Houd het product altijd met twee handen vast. Houd het apparaat rechts van uw lichaam.

## Persoonlijke beschermingsuitrusting



**WAARSCHUWING:** Lees de volgende waarschuwingen voordat u het product gaat gebruiken.

- Draag tijdens het gebruik van het product altijd goedgekeurde persoonlijke beschermingsuitrusting. Persoonlijke beschermingsuitrusting kunnen niet alle risico's uitsluiten maar kunnen de ernst van eventueel letsel helpen beperken. Vraag uw dealer u te helpen bij het kiezen van de juiste beschermingsmiddelen.
- Gebruik een veiligheidshelm bij kans op vallende voorwerpen.
- Gebruik goedgekeurde gehoorbescherming met voldoende dempvermogen. Langdurige blootstelling aan lawaai kan leiden tot permanente gehoorbeschadiging.
- Gebruik goedgekeurde oogbescherming. Als u een vizier gebruikt, moet u ook een goedgekeurde

veiligheidsbril gebruiken. Een goedgekeurde veiligheidsbril moet voldoen aan de norm ANSI Z87.1 voor de VS of EN 166 voor de EU-landen.

- Gebruik een vizier voor gezichtsbescherming. Een vizier is niet voldoende om de ogen te beschermen. (Fig. 19)
- Draag zo nodig handschoenen, bijvoorbeeld bij het monteren, inspecteren of reinigen van de snijuitrusting.
- Gebruik stevige antisliplaarzen.
- Gebruik kleding van stevige stof. Gebruik altijd een zware lange broek en lange mouwen. Gebruik geen loszittende kleding die gemakkelijk kan blijven haken aan takjes en struikgewas. Draag geen sieraden, korte broek of sandalen of loop niet op blote voeten. Bind voor de veiligheid lang haar samen tot boven schouderhoogte.

(Fig. 20)

- Houd een EHBO-does binnen handbereik.

(Fig. 21)

## Veiligheidsvoorzieningen op het product



**WAARSCHUWING:** Lees de volgende waarschuwingen voordat u het product gaat gebruiken.

In dit hoofdstuk worden de veiligheidsvoorzieningen van het product beschreven, welke functie ze hebben en hoe controles en onderhoud moeten worden uitgevoerd om hun goede werking te waarborgen. Zie de instructies in het hoofdstuk *Inleiding op pagina 251* om te zien waar deze onderdelen zich bevinden op uw product.

De levensduur van het product kan worden verkort en het risico op ongevallen kan toenemen wanneer het onderhoud van het product niet op de juiste manier plaatsvindt en wanneer service en/of reparaties niet vakkundig worden uitgevoerd. Indien u meer informatie nodig hebt, verzoeken wij u contact op te nemen met de dichtstbijzijnde onderhoudsdealer.



**WAARSCHUWING:** Gebruik een product nooit wanneer de veiligheidsvoorzieningen beschadigd zijn. De veiligheidsuitrusting van het product moet geïnspecteerd en onderhouden worden zoals beschreven in dit hoofdstuk. Als uw product een van deze controles niet doorstaat, moet u contact opnemen met uw servicewerkplaats om uw unit te laten repareren.



**OPGELET:** Om service en reparaties aan de machine uit te voeren, moet u een speciale opleiding hebben. Dit geldt met name voor de veiligheidsuitrusting van

de machine. Als uw machine een van de volgende controles niet goed doorstaat, moet u ermee naar uw servicewerkplaats gaan. Als u één van onze producten koopt, garanderen wij de beschikbaarheid van professionele reparaties en onderhoud. Als u uw machine hebt gekocht bij één van onze dealers die geen servicewerkplaats heeft, vraag dan waar de dichtstbijzijnde erkende werkplaats is.

snijuitrusting wordt gemonteerd, kan dit ernstige verwondingen veroorzaken.

De beschermkap van de snijuitrusting houdt objecten tegen die in de richting van de gebruiker kunnen vliegen. Hij voorkomt ook letsel dat veroorzaakt wordt als u met de snijuitrusting in contact komt.

1. Stop het product en verwijder de accu.
2. Voer een visuele controle uit op beschadigingen, bijvoorbeeld scheuren. (Fig. 26)
3. Vervang de beschermkap van de snijuitrusting als deze is beschadigd.

## Trimmerkop

- Gebruik altijd de juiste trimmerkop en snijuitrusting en gebruik altijd de aanbevolen trimmerdraad. Zie *Accessoires op pagina 265* en de montage aan het einde van de handleiding.
- Zorg ervoor dat het mes op de trimmerbeschermkap niet beschadigd is.
- Zorg ervoor dat de trimmerdraad strak en gelijkmatig rond de trommel is gewikkeld om ongebruikelijke trillingen van het product te voorkomen. Verschillende snoerlengtes kunnen leiden tot onnodige trillingen. Tik op de trimmerkop voor de juiste lengte van de draad.

Om de levensduur van de draad te verlengen, kunt u hem twee dagen in water leggen voordat u hem gaat gebruiken. Dit zal de draad bestendiger maken.

## Veiligheidsinstructies voor montage



**WAARSCHUWING:** Lees voordat u het product gaat gebruiken deze instructies aandachtig door en zorg dat u ze hebt begrepen. Volg de instructies op.

- Verwijder de accu uit het product voordat u het product monteert.
- Draag goedgekeurde veiligheidshandschoenen.
- Een beschermkap die beschadigd is of niet goed werkt, kan letsel veroorzaken. Gebruik geen snijuitrusting zonder een aan de uitrusting bevestigde goedgekeurde beschermkap.
- Zorg ervoor dat u het deksel en de as goed monteert, voordat u het product start.
- De meenemer en de steunflens moeten correct in de opening in het midden van de snijuitrusting worden gepositioneerd. Een snijuitrusting die niet juist wordt bevestigd, kan ernstig letsel of de dood veroorzaken.
- Als er een draagstel bij het opzetstuk wordt geleverd, moet het draagstel correct aan het product worden bevestigd. Het draagstel zorgt voor een veilig gebruik en voorkomt letsel aan de gebruiker of andere personen.

## De gebruikersinterface controleren

1. Hou de start/stop-knop (A) ingedrukt.
  - a) Het product is ingeschakeld wanneer het display (B) brandt. (Fig. 22)
  - b) Het product is uitgeschakeld wanneer het display uit is.
2. Als het waarschuwingsslampje op het display brandt of knippert, raadpleegt u *Gebruikers interface op pagina 262*.

## De vergrendeling van de activeringsschakelaar controleren

De vergrendeling van de activeringsschakelaar is bedoeld om te voorkomen dat het product per ongeluk wordt ingeschakeld. Wanneer u de vergrendeling van de activeringsschakelaar naar voren (A) en tegen de handgreep (B) drukt, wordt de activeringsschakelaar (C) losgelaten. Wanneer u de handgreep loslaat, gaat zowel de gashendel als de gashendelvergrendeling terug naar de originele positie. Drie onafhankelijke veren zorgen voor deze beweging. (Fig. 23)

1. Controleer of de activeringsschakelaar is vergrendeld wanneer de beveiliging van de activeringsschakelaar in de originele positie staat. (Fig. 24)
2. Druk de activeringsschakelaar in en controleer of deze na het loslaten weer terugkeert naar de beginpositie. (Fig. 25)
3. Zorg ervoor dat de activeringsschakelaar en de vergrendeling vrij kunnen bewegen en dat de retourveer juist werkt.
4. Start het product, zie *Product starten op pagina 260*.
5. Geef volgas.
6. Laat de activeringsschakelaar los en controleer of de snijuitrusting stopt en blijft stilstaan.

## Beschermkap van de snijuitrusting controleren



**WAARSCHUWING:** Gebruik geen snijuitrusting zonder een goedgekeurde en correct bevestigde beschermkap. Gebruik altijd de voorgeschreven beschermkap voor de snijuitrusting die u gebruikt, zie *Accessoires op pagina 265*. Indien een verkeerde of defecte beschermkap van de

## Veiligheidsinstructies voor onderhoud



**WAARSCHUWING:** Lees de volgende waarschuwingen voordat u onderhoud aan het product gaat uitvoeren.

- Verwijder de accu voordat u onderhoud of andere controles uitvoert, of het product demonteert.
  - De gebruiker mag alleen de onderhouds- en servicewerkzaamheden uitvoeren die in deze bedieningshandleiding zijn beschreven. Ga naar uw servicedealer voor verdergaande service- of onderhoudswerkzaamheden.
  - Reinig de accu of acculader nooit met water. Sterke reinigingsmiddelen kunnen schade aan het kunststof veroorzaken.
- Als u geen onderhoud uitvoert, verkort dit de levenscyclus van het product en vergroot het risico op ongevallen.
  - Voor alle service en reparaties is speciale training vereist, vooral voor de veiligheidsvoorzieningen op het product. Als niet alle controles in deze bedieningshandleiding een goed resultaat geven nadat u onderhoud hebt uitgevoerd, ga dan naar uw servicedealer. Wij garanderen dat u daar professionele reparaties en service voor uw product krijgt.
  - Gebruik alleen originele reserveonderdelen.
  - Draag altijd handschoenen voor zwaar gebruik wanneer u de snijuitrusting repareert. De snijbladen zijn zeer scherp en kunnen gemakkelijk snijwonden veroorzaken.

## Montage

### Loophandvat monteren

1. Bevestig het loophandvat op de steel tussen de pijlen. Plaats het loophandvat of de ophanging niet op het label. (Fig. 27)
2. Schuif het afstandsstuk in de sleuf in het loophandvat.
3. Bevestig de moer, de knop en de schroef, draai ze niet te strak.
4. Stel het product af zodat u het comfortabel kunt vasthouden.
5. Draai de bout vast.

### Snijuitrusting monteren

De snijuitrusting omvat een snijuitrusting en een beschermkap voor de snijuitrusting.



**WAARSCHUWING:** Draag beschermende handschoenen.



**WAARSCHUWING:** Gebruik altijd de beschermkap voor de snijuitrusting die voor de snijuitrusting wordt aanbevolen. Zie *Technische gegevens op pagina 263*.



**WAARSCHUWING:** Een verkeerd bevestigde snijuitrusting kan leiden tot ernstig letsel of de dood.

### De bescherming van de snoei-uitrusting bevestigen

1. Bevestig de bescherming van de snoei-uitrusting (A) aan de haak op de plaathouder (B). (Fig. 28)
2. Monteer de bescherming van de snoei-uitrusting op de as en draai deze vast met de bout (C).

### De bescherming van de snoei-uitrusting verwijderen

- Draai de bout (C) los en verwijder de bescherming voor de snoei-uitrusting (A) van de as. (Fig. 29)

### Montage van trimmerkoppen



**WAARSCHUWING:** Wanneer u de snijuitrusting monteert is het heel belangrijk dat de geleidepen van de meenemer/ steunflens op de juiste manier in het middengat van de snijuitrusting terecht komt. Als u de snijuitrusting verkeerd gemonteerd hebt, kan dit leiden tot ernstig en/of dodelijk letsel.



**WAARSCHUWING:** Onder geen beding mag snijuitrusting worden gebruikt zonder dat een goedgekeurde beschermkap is gemonteerd. Raadpleeg *Accessoires op pagina 265*. Indien een verkeerde of defecte beschermkap wordt gemonteerd, kan dit ernstige verwondingen veroorzaken.

### De trimmerkop monteren

1. Zet de meenemer (B) op de uitgaande as.
2. Draai de uitgaande as om een van de openingen in de meenemer uit te lijnen met de overeenkomstige opening in het tandwielhuis.
3. Breng de borgpen (C) aan in de opening om de as te vergrendelen.
4. Draai de trimmerkop (H) linksom om te bevestigen. (Fig. 30)

### De trimmerkop verwijderen

1. Breng de borgpen (C) aan in de opening om de as te vergrendelen.

2. Draai de trimmerkop (H) rechtsom om deze te verwijderen.

3. Verwijder de meenemer (B) van de uitgaande as. (Fig. 30)

---

## Werking

---

### Inleiding



**WAARSCHUWING:** Zorg dat u het hoofdstuk over veiligheid hebt gelezen en begrepen voordat u het product gebruikt.

### De accu aansluiten op het product



**WAARSCHUWING:** Gebruik uitsluitend originele Husqvarna-accu's in het product.

1. Zorg ervoor dat de accu volledig is opgeladen.
2. Druk de accu in de accuhouder van het product. De accu is in positie vergrendeld als u een klik hoort. (Fig. 31)



**OPGELET:** Als u de accu niet eenvoudig in de accuhouder kunt plaatsen, is de batterij niet correct geïnstalleerd. Dit kan schade aan het product veroorzaken.

3. Controleer of de accu goed is geïnstalleerd.

### Werkpositie

- Houd het apparaat met beide handen vast.
- Houd het apparaat rechts van uw lichaam.
- De zaaguitrusting moet onder taillehoogte blijven.
- Houd lichaamsdelen uit de buurt van de hete oppervlakken.
- Houd lichaamsdelen uit de buurt van de snijuitrusting.

### Voordat u het product gaat bedienen

- Controleer het werkgebied zodat u op de hoogte bent van het soort terrein, de helling van de ondergrond en of er obstakels zoals stenen, takken en greppels zijn.
- Voer een revisie-inspectie van het product uit.
- Voer de veiligheidsinspecties, onderhoud en servicebeurten uit die in deze handleiding worden aangegeven.
- Zorg dat alle afschermingen en beschermkappen, handgrepen en de snijuitrusting correct zijn aangebracht en onbeschadigd zijn.
- Controleer de steunflens op scheuren. Vervang de steunflens als deze beschadigd is.

(Fig. 32)

- Controleer de trimmerkop en de beschermkap voor de snijuitrusting op beschadigingen of scheuren.

Vervang de trimmerkop en de beschermkap voor de snijuitrusting als ze geraakt zijn of scheuren hebben.

(Fig. 33)

### Product starten

1. Houd de startknop ingedrukt totdat de groene led gaat branden. (Fig. 34)
2. Gebruik de activeringsschakelaar om het toerental te regelen.

### Het maximum toerental beperken met de modusknop

Het product heeft een modusknop. Met de modusknop kan de gebruiker het maximum toerental beperken. De modusknop heeft 3 snelheidsniveaus. Een lager niveau verlengt de gebruiksduur van het product. Gebruik niveau 1 en niveau 2 als het product niet op volle snelheid/vol vermogen gebruikt hoeft te worden. Als de bedrijfsomstandigheden volle snelheid/vol vermogen vereisen, gebruik dan niveau 3. Gebruik geen hoger niveau dan nodig is voor de werkzaamheden.

1. Druk op de modusknop om een limiet op het maximum toerental in te stellen. De witte leds gaan branden om aan te geven dat de functie is ingeschakeld. (Fig. 35)
2. Druk nogmaals op de modusknop om het volgende snelheidsniveau te kiezen.

### Automatische uitschakelfunctie

Het product is uitgerust met een uitschakelfunctie die het product deactiveert als het niet wordt gebruikt.

### Gras trimmen met trimmerkop

#### Gras trimmen

1. Houd de trimmerkop vlak boven de grond en schuin. (Fig. 36) Druk de grastrimmerdraad niet in het gras.
2. Gebruik een snelheid van 80% wanneer u in de buurt van objecten grasmaait. (Fig. 37)

#### Gras maaien

1. Zorg dat de grastrimmerdraad parallel loopt aan de grond wanneer u gaat maaien. (Fig. 38)
2. Duw de trimmerkop niet op de grond. De grond en het product kunnen hierdoor beschadigd raken.
3. Zorg dat de trimmerkop de grond niet continu raakt. Hierdoor kan de trimmerkop beschadigd raken.
4. Gebruik volle snelheid wanneer u het product heen en weer beweegt om gras te maaien. (Fig. 39) Zorg dat de grastrimmerdraad parallel loopt aan de grond.

## Gras vegen

De luchtstroom uit het roterende trimmerdraad kan worden gebruikt om het maaisel uit een gebied te verwijderen.

1. Houd de trimmerkop met draad parallel aan de grond en boven de grond.
2. Geef volgas.
3. Beweeg de trimmerkop van de ene naar de andere kant en veeg het gras.



**WAARSCHUWING:** Reinig de kap van de trimmerkop altijd wanneer u een

nieuw trimmerdraad monteert om onbalans en trillingen in de hendels te voorkomen. Controleer ook de andere onderdelen van de trimmerkop en reinig deze indien nodig.

## Product stoppen

1. Laat de activeringsschakelaar of de vergrendeling van de activeringsschakelaar los.
2. Druk op de stopknop. (Fig. 34)
3. Druk op de ontgrendelknoppen op de accu en trek de accu eruit. (Fig. 40)

## Onderhoud

### Inleiding



**WAARSCHUWING:** Voordat u onderhoudswerkzaamheden gaat uitvoeren, dient u het hoofdstuk over veiligheid te lezen en hebben begrepen.

### Onderhoudsschema



**WAARSCHUWING:** Verwijder de accu voordat u onderhoud uitvoert.

Hieronder volgt een lijst van het onderhoud dat u aan het product moet uitvoeren.

Onderhoud	Elke dag	Wekelijks	Maandelijks
Reinig de externe onderdelen van het product met een droge doek. Gebruik geen water.	X		
Controleer of de start/stop-knop correct werkt en niet beschadigd is.	X		
Controleer of de voedingsschakelaar en de vergrendeling van de voedingsschakelaar correct werken vanuit veiligheidsoogpunt.	X		
Controleer of alle bedieningselementen werken en niet zijn beschadigd.	X		
Houd de handgrepen droog, schoon en vrij van olie en vet.	X		
Controleer of de snijuitrusting niet beschadigd is. Vervang de snijuitrusting als deze is beschadigd.	X		
Controleer of de beschermkap voor snijuitrusting of het mes niet is beschadigd. Vervang de beschermkap van de snijuitrusting of het mes als deze beschadigd zijn.	X		
Controleer of de schroeven en moeren goed zijn vastgedraaid.	X		
Controleer of de ontgrendelknoppen op de accu werken en de accu in het product vergrendelen.	X		
Controleer of de accu niet beschadigd is.	X		
Zorg ervoor dat de accu is opgeladen.	X		
Controleer of de acculader niet beschadigd is en goed functioneert.	X		
Controleer alle kabels, koppelingen en aansluitingen. Zorg ervoor dat deze niet zijn beschadigd en vrij zijn van vuil.		X	

Onderhoud	Elke dag	Wekelijks	Maandelijks
Zorg ervoor dat de hoekoverbrenging gevuld is met vet, zie <i>De hoekoverbrenging smeren op pagina 262</i> . Indien dit niet het geval is, gebruikt u Husqvarna-vet voor hoekoverbrengingen.		X	
Controleer de verbindingen tussen de accu en het product. Controleer de verbinding tussen de accu en de acculader.			X

## Product, accu en acculader reinigen

1. Reinig het product met een droge doek na gebruik.
2. Reinig de accu en acculader met een droge doek. Houd de accugeleiderails schoon.
3. Zorg ervoor dat de aansluitingen van de accu en de acculader schoon zijn voor dat de accu in de acculader of het product wordt geplaatst.

## De hoekoverbrenging smeren

1. Verwijder de snijuitrusting.
2. Plaats het product met de smeerpilg in de hoogste stand.
3. Verwijder de smeerpilg. (Fig. 41)

4. Kijk in de opening van de smeerpilg en draai de aandrijf-as. Het vetpeil (A) moet op één lijn liggen met de bovenkant van de tandwiel-tanden (B). (Fig. 42)
5. Als het vetpeil te laag is, vult u de hoekoverbrenging met Husqvarna-vet voor hoekoverbrengingen. Vul langzaam bij en draai de aandrijf-as terwijl u het vet voor hoekoverbrengingen aanbrengt. Stop als het peil (B) juist is.



**OPGELET:** Een onjuiste hoeveelheid vet kan schade aan de hoekoverbrenging veroorzaken.

6. Breng de smeerpilg aan.

## Probleemoplossing

### Gebruikers interface

Probleem	Mogelijke fouten	Mogelijke actie
Led-indicator voor accu knippert oranje	Lage accuspanning.	Laad de accu op.
De fout-led knippert rood	Overbelasting.	De snijuitrusting is vastgeslagen. Stop het product. Verwijder de accu. Verwijder ongewenste materialen uit de snijuitrusting.
	Temperatuurafwijking.	Laat het product afkoelen.
	De gashendel en de activeringsknop worden tegelijkertijd ingedrukt.	Wanneer u de voedingsschakelaar loslaat, wordt het product geactiveerd.
Het product start niet	Vuil in de aansluitingen van de accu.	Reinig de accu-aansluitingen met perslucht of een zachte borstel.
De fout-led brandt rood	Het product moet worden onderhouden.	Neem contact op met de servicewerkplaats.

---

## Vervoer, opslag en verwerking

---

### Transport en opslag

- De meegeleverde Li-ion-accu's voldoen aan de wettelijke vereisten voor gevaarlijke goederen.
  - Neem de bijzondere voorschriften op de verpakking en labels voor commercieel transport in acht. Dit geldt ook voor derden en expediteurs.
  - Neem contact op met een persoon die gespecialiseerd is op het gebied van gevaarlijke stoffen voordat u het product verzendt. Neem alle van toepassing zijnde nationale voorschriften in acht.
  - Breng tape aan op blootliggende aansluitingen wanneer u de accu in een pakket plaatst. Plaats de accu strak in het pakket om beweging te voorkomen.
  - Verwijder de accu bij opslag of vervoer.
  - Plaats de accu en de acculader in een droge, vocht- en vorstvrije ruimte.
  - Bewaar de accu niet op plaatsen waar statische elektriciteit aanwezig is. Bewaar de accu niet in een metalen doos.
  - Bewaar de accu op een plaats met een temperatuur tussen 5 °C en 25 °C en niet in direct zonlicht.
  - Bewaar de acculader op een plaats met een temperatuur tussen 5 °C en 45 °C en niet in direct zonlicht.
  - Gebruik de acculader alleen als de omgevingstemperatuur tussen 5 °C en 40 °C ligt.
- Laad de accu op tussen de 30% en 50% voorafgaand aan langdurige opslag.
  - Berg de acculader op in een ruimte die afgesloten en droog is.
  - Bewaar de accu niet in de buurt van de acculader. Laat kinderen en andere onbevoegde personen niet aan de apparatuur komen. Bewaar de apparatuur in een ruimte die u kunt afsluiten.
  - Reinig het product en voer een volledige onderhoudsbeurt uit voordat u het product voor langere tijd opslaat.
  - Gebruik de transportbescherming op het product om letsel bij personen of schade aan het product tijdens vervoer en opslag te voorkomen.
  - Bevestig het product stevig tijdens vervoer.

### Accu, acculader en product afvoeren

Symbolen op het product of op de verpakking van het product geven aan dat dit product geen huishoudelijk afval is. Lever het in bij een recyclepunt voor elektrische en elektronische apparatuur. Dit voorkomt vervuiling van het milieu en letsel bij personen.

Neem contact op met uw lokale autoriteiten, afvalverwerkingsbedrijf of dealer voor meer informatie over het recyclen van uw product.

---

## Technische gegevens

---

### Technische gegevens

	<b>325iL</b>
<b>Motor</b>	
Motor type	BLDC (borstelloos) 36 V
Toerental van uitgaande as, 1/min	5800
Maaibreedte, mm	420
<b>Gewicht</b>	
Gewicht zonder accu en snijuitrusting, kg	3,0
<b>Geluidsemissies</b> <sup>49</sup>	
Geluidsvermogeniveau, gemeten dB(A)	93

<sup>49</sup> Geluidsemissie naar de omgeving gemeten als geluidsvermogen (LWA) volgens EG-richtlijn 2000/14/EG. Het gerapporteerde geluidsvermogensniveau voor de machine is gemeten met de originele snijuitrusting die het hoogste niveau geeft. Het verschil tussen gegarandeerd en gemeten geluidsvermogen is dat het gegarandeerde geluidsvermogen ook spreiding in het meetresultaat omvat en de verschillen tussen de verschillende machines van hetzelfde model conform Richtlijn 2000/14/EG.

	<b>325iL</b>
Geluidsvermogensniveau, gegarandeerd $L_{WA}$ dB (A)	96
<b>Geluidsniveaus</b> <sup>50</sup>	
Equivalent geluidsdrukniveau bij het oor van de gebruiker, gemeten volgens ISO 22868, dB (A):	
Uitgerust met trimmerkop (origineel)	84
<b>Trillingsniveau</b> <sup>51</sup>	
Trillingsniveaus in de handgrepen, gemeten volgens ISO 22867, $m/s^2$	
Uitgerust met trimmerkop (origineel), voor/achter, $m/s^2$	4,3/2,9

## Goedgekeurde accu's

<b>Accu</b>	<b>BLi 200</b>
Type	Lithium-ion
Accucapaciteit, Ah	5,2
Nominale spanning, V	36
Gewicht, kg (lb)	1,3 (2,9)

## Goedgekeurde acculaders

<b>Acculader</b>	<b>QC330</b>
Ingangsspanning, V	100-240
Frequentie, Hz	50-60
Vermogen, W	330

<sup>50</sup> De gerapporteerde gegevens voor het geluidsdrukniveau van de machine vertonen een typische statistische spreiding (standaardafwijking) van 3 dB (A) en zijn gemeten met het originele opzetstuk dat het hoogste niveau geeft.

<sup>51</sup> De gerapporteerde gegevens voor een trillingsniveau vertonen een typische statistische spreiding (standaardafwijking) van 2  $m/s^2$ . Gebruik voor vergelijking van trillingsniveaus, accu's en verbrandingsproducten de trillingscalculator. <https://www.husqvarna.com/uk/services-solutions/vibration-calculator/>.



---

## Accessoires

---

### Accessoires

Goedgekeurde accessoires	Type accessoire	Beschermkap voor de snijuitrusting, artikelnr.
Asgat in bladen/messen Ø 25,4		
Schroefdraad bladas M10		
Trimmerkop	T35 (Whisper Twist-trimmerdraad, maximaal Ø 2,4 mm)	597 01 62-02

# Verklaring van overeenstemming

## EU-verklaring van overeenstemming

Wij, **Husqvarna AB**, SE-561 82 Huskvarna,  
Zweden, tel: +46-36-146500, verklaren onder onze  
alleenverantwoordelijkheid dat het product:

<b>Beschrijving</b>	Grastrimmer met accu
<b>Merk</b>	Husqvarna
<b>Type / model</b>	325iL
<b>Identificatie</b>	Serienummers vanaf 2023 en verder

voldoen volledig aan de volgende EU-richtlijnen en  
-regelgeving:

<b>Richtlijn/Verordening</b>	<b>Beschrijving</b>
2006/42/EG	"betreffende machines"
2014/30/EMC	"betreffende elektromagnetische compatibiliteit"
2011/65/EU	"betreffende beperking van gevaarlijke stoffen"
2000/14/EG	"betreffende geluid buitenshuis"

en dat de volgende normen en/of technische  
specificaties zijn toegepast: EN 62841-1:2015/  
AC:2015, EN 62841-4-4 (IEC 62841-4-4:2020),  
EN 61000-6-1:2007 (Immunity), EN 61000-6-3:2007/  
A1:2011/AC:2012 (Emission).



RISE SMP Svensk Maskinprovning AB, Box 4053,  
SE-904 03 Umeå, Sweden heeft een vrijwillig  
typeonderzoek ondergaan in overeenstemming met  
bijlage IX van 2006/42/EG. Certificaatnummer:  
SEC/23/2579.

Notified body: 0404, RISE SMP Svensk Maskinprovning  
AB, Box 4053, SE-904 03 Umeå, Sweden heeft ook  
overeenstemming bevestigd met bijlage VI van de  
richtlijn 2000/14/EC.

Voor informatie over geluidsemissies, zie *Technische  
gegevens op pagina 263*.

Huskvarna, 2022-12-01

Stefan Holmberg, Directeur R&D,  
Technologiemanagement, Husqvarna AB

Verantwoordelijk voor technische documentatie

---

# INNHold

---

Innledning.....	267	Transport, oppbevaring og avhending.....	277
Sikkerhet.....	268	Tekniske data.....	278
Montering.....	274	Tilbehør.....	279
Drift.....	275	Samsvarserklæring.....	280
Vedlikehold.....	276	Vedlegg .....	447
Feilsøking.....	277		

---

## Innledning

---

### Produktbeskrivelse

Husqvarna 325iL er en batteridrevet gresstrimmer med en elektrisk motor.

Det pågår et kontinuerlig arbeid for å øke sikkerheten og effektiviteten din under bruk. Kontakt serviceforhandleren din for mer informasjon.

### Bruksområder

Bruk produktet sammen med et trimmerhode for å klippe ulike typer vegetasjon. Ikke bruk produktet til andre oppgaver enn gresstrimming og gressrydding.

### Produktoversikt

(Fig. 1)

1. Bruksanvisning
2. Vinkelgir
3. Hull for låsepinne
4. Trimmerhode
5. Beskyttelse for skjæreutstyr
6. Medbringerhjul
7. Kombinasjonsnøkkel
8. Loophåndtak
9. Knott
10. Riggør
11. Låsepinne
12. Varsellampe (LED)
13. Start/stopp-knapp
14. Hastighetsmodusknapp
15. Kraftutløserperre
16. Brukergrensesnitt
17. Kraftutløser
18. Ledning for batterilader
19. Batterilader
20. LED-lampe for strøm og advarsel
21. Batteriutløserknapper
22. Batteri
23. LED-lampe for ladestatus
24. Varsellampe
25. Batteriindikatorknapp

**Merk:** Bruken kan være regulert av nasjonal eller lokal lovgivning. Samsvar med oppgitt lovgivning.

---

Bruk kun produktet sammen med tilbehør som er godkjent av produsenten. Se *Tilbehør på side 279*.

### Symboler på produktet

(Fig. 2)      ADVARSEL! Dette produktet kan være farlig! Uforsiktig eller feilaktig bruk kan resultere i alvorlige skader eller dødsfall for brukeren eller andre. Det er svært viktig at du leser og forstår innholdet i bruksanvisningen. Les nøye gjennom bruksanvisningen, og forstå innholdet før du bruker produktet.

(Fig. 3)      Bruk godkjent hørselsvern. Bruk godkjent øyevern.

(Fig. 4)      Maksimalt turtall eller turtall uten belastning.

XXXX/min eller min<sup>-1</sup> | Omdreininger eller vekselgangsbevegelser per minutt.

(Fig. 5)      Nominell spenning, V

(Fig. 6)      Direktestrøm.

(Fig. 7)      Dette produktet samsvarer med gjeldende EC-direktiver.

(Fig. 8)      Dette produktet samsvarer med gjeldende britiske direktiver.

(Fig. 9)	Bruk godkjente vernehansker.	kan føre til alvorlige øyeskader hvis ikke anbefalt verneutstyr brukes.
(Fig. 10)	Bruk kraftige, sklislire støvler.	(Fig. 14) Koble fra batteriet før vedlikehold.
(Fig. 11)	Bruk bare ikke-metallisk, fleksibelt skjærestyr.	(Fig. 15) Produktet har beskyttelse mot vannsprut.
(Fig. 12)	Symboler på produktet eller emballasjen indikerer at produktet ikke skal håndteres som husholdningsavfall. Dette produktet må innleveres til et gjenvinningsanlegg.	(Fig. 16) Hold alle deler av kroppen borte fra varme overflater.
(Fig. 13)	Produktet kan kaste gjenstander med stor kraft, og disse kan sprette tilbake. Dette	(Fig. 17) Støytstøp til omgivelsene som i EU-direktiver og forskrifter, britiske direktiver og forskrifter og New South Wales-forskriften «Protection of the Environment Operations (Noise Control) Regulation 2017». Garantert lydeffektivnivå for produktet er angitt i <i>Tekniske data på side 278</i> .

yyyywwxxxx

Typeskiltet viser serienummeret. **yyyy** er produksjonsåret, **ww** er produksjonsuken og **xxxx** er sekvensnummeret.

(Fig. 18)

Brukeren skal påse at ingen mennesker eller dyr kommer nærmere enn 15 meter unna. Når flere brukere arbeider på samme sted, skal sikkerhetsavstanden være på minst 15 meter.

**Merk:** Øvrige symboler/klistremerker på produktet gjelder sertifiseringskrav for andre markeder.

## Skader på produktet

Vi er ikke ansvarlige for skader på produktet vårt hvis:

- Produktet er reparert på feil måte.

- Produktet er reparert med deler som ikke kommer fra produsenten eller som ikke er godkjent av produsenten.
- Produktet har et tilbehør som ikke kommer fra produsenten eller som ikke er godkjent av produsenten.
- Produktet er ikke reparert på et godkjent servicesenter eller av en godkjent aktør.

## Sikkerhet

### Sikkerhetsdefinisjoner

Advarsler, oppfordringer og merknader brukes for å understreke spesielt viktige deler av bruksanvisningen.



**ADVARSEL:** Brukes hvis det er fare for personskade eller død for brukeren eller andre personer om instruksjonene i håndboken ikke følges.



**OBS:** Brukes hvis det er fare for skade på produktet, annet materiell eller nærliggende områder om instruksjonene i håndboken ikke følges.

**Merk:** Brukes for å gi mer nødvendig informasjon for en spesifikk situasjon.

### Generelle sikkerhetsadvarsler for elektroverktøy



**ADVARSEL:** Les alle sikkerhetsadvarsler, -instruksjoner, -illustrasjoner og spesifikasjoner som fulgte med dette elektroverktøyet. Hvis du ikke følger alle instruksjonene som er angitt nedenfor, kan det føre til elektrisk støt, brann og/eller alvorlige skader.

- **Ta vare på alle advarsler og instruksjoner for fremtidig bruk.** Begrepet «elektroverktøy» i advarslene referer til elektrisk verktøy som drives av netstrøm (med ledning) eller batteri (uten ledning).

### Sikkerhet i arbeidsområdet

- **Hold arbeidsområdet rent og godt opplyst.** Rot og dårlig opplyste områder kan lett føre til ulykker.

- **Bruk ikke elektroverktøy i eksplosiv atmosfære, for eksempel der det finnes brennbare væsker, gasser eller støv.** Elektroverktøy danner gnister som kan antenne støv eller gasser.
- **Hold barn og andre tilskuere på avstand når elektroverktøyet er i bruk.** Distraksjoner kan føre til at du mister kontrollen.
- **Ikke strekk deg for langt. Hold alltid føttene på bakken og en balansert stilling.** Dette gir deg bedre kontroll over elektroverktøyet i uventede situasjoner.
- **Bruk egnede klær. Bruk ikke løstsittende klær eller smykker. Hold hår og klær borte fra bevegelige deler.** Løstsittende klær, smykker eller langt hår kan sette seg fast i bevegelige deler.

## Elektrisk sikkerhet

- **Støpselet til elektroverktøyet må passe til stikkontakten. Du må aldri modifisere støpselet på noen måte. Adapterpluggen må ikke brukes sammen med et jordet elektroverktøy.** Når støpselet/pluggen ikke er modifisert og stikkontakten passer, vil dette redusere faren for elektrisk støt.
- **Unngå kroppskontakt med jordede flater, for eksempel rør, radiatorer, komfyrer og kjøleskap.** Faren for elektrisk støt øker hvis kroppen til brukeren er jordet.
- **Elektroverktøy må ikke utsettes for regn eller fuktighet.** Hvis det kommer vann inn i elektroverktøyet øker faren for elektrisk støt.
- **Ledningen må håndteres forsiktig. Bruk aldri ledningen til å bære eller trekke noe, eller til å trekke ut støpselet. Hold ledningen unna varme, olje, skarpe kanter og bevegelige deler.** Skadet eller sammenflokete ledninger øker faren for elektrisk støt.
- **Når elektroverktøyet brukes utendørs, må det brukes en skjøteledning som er egnet for bruk utendørs.** Bruk av ledning for utendørs bruk reduserer faren for elektrisk støt.
- **Hvis elektroverktøyet må brukes på et fuktig sted, bør det være koblet til en strømkrets som er beskyttet av jordfeilbryter.** Bruk av jordfeilbryter reduserer faren for elektrisk støt.

## Personlig sikkerhet

- **Vær oppmerksom, følg med på det du gjør, og utvis sunn fornuft når du bruker elektroverktøyet. Ikke bruk elektroverktøy hvis du er tretthet eller påvirket av narkotika, alkohol eller legemidler.** Et øyeblikks uoppmerksomhet ved bruk av elektroverktøy kan føre til alvorlig personskade.
- **Bruk personlig verneutstyr. Bruk alltid vernebriller.** Bruk av verneutstyr som støvmaske, vernesko med antisklisåle, hjelm og hørselvern der det kreves, reduserer faren for personskade.
- **Unngå utilsikket oppstart. Forsikre deg om at bryteren står i av-stillingen før du kobler til strømforsyningen og/eller batteripakken, tar opp verktøyet eller bærer verktøyet.** Hvis du bærer verktøyet med en finger på bryteren eller med elektroverktøyet påslått, kan det lett føre til ulykker.
- **Fjern eventuelle justeringsnøkler før du slår på elektroverktøyet.** En nøkkel som sitter på en roterende del av elektroverktøyet, kan føre til personskade.

## Bruk og vedlikehold av elektroverktøy

- **Bruk ikke makt på elektroverktøyet. Bruk riktig elektroverktøy for arbeidet som skal utføres.** Riktig elektroverktøy gjør jobben på en bedre og sikrere måte i den hastigheten det er konstruert for.
- **Bruk ikke elektroverktøyet hvis bryteren ikke lar seg slå på og av.** Elektroverktøy som ikke kan kontrolleres med bryteren, er farlig, og må repareres.
- **Koble støpselet fra strømforsyningen og/eller batteripakken fra elektroverktøyet, hvis den er avtakbar, før du foretar justeringer, skifter tilbehør eller lagrer elektroverktøyet.** Slike forebyggende sikkerhetstiltak reduserer faren for at elektroverktøyet starter ved et uhell.
- **Elektroverktøy som ikke er i bruk, må oppbevares utilgjengelig for barn. La ikke elektroverktøyet brukes av personer som ikke er kjent med elektroverktøyet eller disse instruksjonene.** Elektroverktøy er farlige når de brukes av uerfarne brukere.
- **Vedlikehold elektroverktøy og tilbehør. Kontroller justeringen av bevegelige deler, samt at de ikke sitter fast. Kontroller at det ikke finnes ødelagte deler eller andre feil som kan påvirke bruken av elektroverktøyet. Hvis elektroverktøyet er skadet, må det repareres før bruk.** Mange ulykker forårsakes av dårlig vedlikeholdt elektroverktøy.
- **Hold skjæreverktøy skarpe og rene.** Riktig vedlikeholdte skjæreverktøy med skarpe skjærekanten har mindre fare for å sette seg fast, og er lettere å kontrollere.
- **Bruk elektroverktøyet, tilbehør og verktøybits osv. i henhold til disse instruksjonene, og i forhold til arbeidsforholdene og arbeidet som skal utføres.** Bruk av elektroverktøy til andre oppgaver enn dem de er laget for, kan føre til farlige situasjoner.
- **Hold håndtakene og gripeflatene tørre, rene og frie for olje og fett.** Glatte håndtak og gripeflater gjør trygg håndtering og kontroll av verktøyet i uventede situasjoner umulig.

## Bruk og pleie av batteriverktøy

- **Må bare lades med laderen som er spesifisert av produsenten.** En lader som passer til én batteripakke kan skape brannfare hvis den brukes med en annen batteripakke.
- **Bruk elektriske verktøy bare med spesielt designede batteripakker.** Bruk av andre batteripakker kan medføre fare for personskade og brann.
- **Når batteriet ikke er i bruk, må det holdes unna andre metallgjenstander som binders, mynter, nøkler, spiker, skruer og andre små metallgjenstander som kan danne en forbindelse fra den ene batteripolen til den andre.** Kortslutning av batteripolene kan føre til forbrenning eller brann.
- **Hvis batteriet utsettes for store påkjenninger, kan det komme væske ut av det.** Unngå i så fall kontakt med denne væsken. Skyll med vann hvis kontakt oppstår ved et uhell. Hvis du får væske i øynene, kontakt lege øyeblikkelig. Væske som kommer ut av batteriet kan forårsake irritasjon eller forbrenninger.
- **Ikke bruk batteripakken eller verktøyet hvis det er skadet eller endret.** Skadede eller endrede batterier kan ha en uforutsigbar adferd, noe som kan føre til brann, eksplosjoner eller personskader.
- **Ikke eksponer en batteripakke eller et verktøy for brann eller for høy temperatur.** Eksponering for flammer eller temperaturer over 130 °C (266 °F) kan føre til eksplosjon.
- **Følg alle instruksjoner for lading, og ikke lad batteripakken eller verktøyet utenfor temperaturområdet som er angitt i instruksjonene.** Lading på feil måte eller ved temperaturer utenfor det angitte området kan påføre batteriet skade og øke faren for brann.

## Service

- **La en kvalifisert tekniker/reparatør utføre service, og gjøre eventuelle utskiftninger kun med identiske reservedeler.** Dette sikrer at elektroverktøyetets sikkerhet opprettholdes.
- **Utfør aldri service på skadede batteripakker.** Service av batteripakker skal kun utføres av produsenten eller autoriserte serviceleverandører.

## Sikkerhetsadvarsler for gresstrimmer, buskrydder og krattrydder

- **Ikke bruk maskinen i dårlig vær, spesielt når det er fare for tordenvær.** Dette øker faren for å bli truffet av lynnedslag.
- **Inspiser området grundig for dyreliv der maskinen skal brukes.** Dyreliv kan bli skadet av maskinen under bruk.
- **Kontroller grundig området der maskinen skal brukes, og fjern alle steiner, pinner, ledninger, bein og andre fremmedlegemer.** Gjenstander som slynges ut, kan forårsake personskade.
- **Før du bruker maskinen, må du alltid kontrollere den visuelt for å forsikre deg om at kapperen eller klingene**

**og kapper-/klingeenheten ikke er skadet.** Skadede deler øker faren for personskade.

- **Følg instruksjonene for utskifting av tilbehør.** Hvis festemutrene eller -boltene til klingene ikke er riktig strammet, kan klingene løsne eller bli skadet.
- **Den nominelle rotasjonshastigheten til kapperen må minst tilsvare den maksimale rotasjonshastigheten som er angitt på maskinen.** Kappere som går raskere enn den nominelle rotasjonshastigheten, kan bretteke av og bli kastet ut.
- **Bruk øye-, hørsels-, hode- og håndvern.** Egnede verneutstyr reduserer faren for å bli skadet av flygende gjenstander eller utilsiktet kontakt med kappetråden eller klingene.
- **Bruk alltid sklisikkert beskyttende fottøy når du bruker maskinen.** Vær ikke barbert og bruk ikke åpne sandaler når du bruker maskinen. Dette reduserer faren for skade på føttene som følge av kontakt med kapper, tråd eller klinge i bevegelse.
- **Ha alltid på deg lange bukser når du bruker maskinen.** Hud som ikke er tildekket er mer sannsynlig å skades av gjenstander som kan slynges ut.
- **Hold tilskuere på avstand når du bruker maskinen.** Objekter som slynges ut, kan føre til alvorlig personskade.
- **Bruk alltid begge hendene når du bruker maskinen.** Hold maskinen med begge hender for å unngå tap av kontroll.
- **Hold maskinen bare i isolerte gripeflater, ettersom kappetråden eller klingene kan komme i kontakt med skjulte ledninger.** Hvis kappetråden eller klingene kommer i kontakt med en strømførende ledning, kan de eksponerte metalldelene av maskinen bli strømførende, og dette kan gi brukeren elektrisk støt.
- **Sørg for at du alltid står støtt, og bruk maskinen bare mens du står på bakken.** Glatte eller ustabile underlag kan føre til at du mister balansen eller mister kontrollen over maskinen.
- **Ikke bruk maskinen i svært bratte skråninger.** Dette reduserer risikoen for å miste kontrollen, skli og falle, som kan føre til personskade.
- **Når du arbeider i skråninger, må du alltid stå støtt, alltid arbeide på tvers, aldri opp eller ned, og være svært forsiktig når du skifter retning.** Dette reduserer risikoen for å miste kontrollen, skli og falle, som kan føre til personskade.
- **Hold alle deler av kroppen unna kapperen, tråden og klingene når maskinen er i drift.** Før du starter maskinen, må du forsikre deg om at kapperen, tråden og klingene ikke kommer i kontakt med noe. Et øyeblikks uoppmerksomhet under bruk av maskinen kan føre til alvorlig personskade.
- **Ikke bruk maskinen over hoftehøyde.** Dette bidrar til å hindre utilsiktet kontakt med kapperen eller klingene, og gir bedre kontroll over maskinen i uventede situasjoner.

- **Når du kapper busker eller unge trær som står i spenn, må du være oppmerksom på at maskinen plutselig kan bli kastet tilbake.** Når spenningen i trefibrene utløses, kan busken eller treet treffe brukeren og/eller føre til at maskinen kommer ut av kontroll.
- **Vær ekstremt forsiktig ved saging i busker og ungrøtter.** Det slanke materialet kan sette seg fast i klingene og bli slynget mot deg, eller føre til at du mister balansen.
- **Ha alltid full kontroll over maskinen, og ikke bærer kappere, tråder eller klinger eller andre farlige bevegelige deler mens de er i bevegelse.** Dette reduserer faren for skader fra bevegelige deler.
- **Når du fjerner fastkjørt materiale eller utfører service på maskinen, må du kontrollere at alle strømbrytere er av, og at strømledningen er koblet fra.** Hvis maskinen startes uventet mens du fjerner fastkjørt materiale eller utfører service, kan det oppstå alvorlig personskade.
- **Bær maskinen avslått og unna kroppen.** Riktig håndtering av maskinen reduserer sannsynligheten for utilsikket kontakt med kapper, tråd eller klinge i bevegelse.
- **Ved transport eller oppbevaring av maskinen må du alltid montere dekslet på metallklingene.** Riktig håndtering av maskinen reduserer faren for utilsikket kontakt med klingene.
- **Bruk bare nye kappere, tråder, kappenhoder og klinger som er spesifisert av produsenten.** Feil reservedeler kan øke faren for ødeleggelse og personskade.

## Annen generell sikkerhetsinformasjon

- Slå av produktet før du flytter det. Ta alltid ut batteriet før du overlater produktet til en annen person.
- Sett aldri produktet ned med mindre du har slått det av og tatt ut batteriet. Ikke forlat produktet uten tilsyn når det er slått på.
- Skjæreutstyret stopper ikke umiddelbart når produktet slås av.
- Før produktet brukes og etter at det har vært utsatt for slag, må det kontrolleres for tegn på slitasje eller skader. Det skal repareres ved behov.
- Hvis noe skulle sette seg fast i skjæreutstyret mens du bruker produktet, må du stoppe og slå av produktet. Kontroller at skjæreutstyret stopper helt. Ta ut batteriet før du rengjør, inspiserer eller reparerer produktet og/eller skjæreutstyret.
- Kontroller produktet før bruk. Se *Sikkerhetsutstyr på produktet på side 273* og *Vedlikehold på side 276*. Ikke bruk et defekt produkt. Utfør sikkerhetskontrollene, og følg vedlikeholds- og serviceinstruksjonene i denne bruksanvisningen.
- Defekt skjæreutstyr kan øke risikoen for ulykker.
- Kontroller giret med tanke på smuss og sprekker. Fjern gress og løv fra giret med en børste. Hansker skal brukes ved behov.
- Pass alltid på at ventilasjonsåpningene holdes frie for smuss.
- Kontroller at trimmerhodet er skikkelig festet på trimmeren.
- Alle deksler, all beskyttelse og alle håndtak må være montert før maskinen startes.
- Kontroller at produktet er i perfekt stand. Kontroller at alle muttere og skruer er trukket ordentlig til.
- Kontroller trimmerhodet og trimmerskjermen slik at de er uten skader og fri for sprekkdannelser. Bytt trimmerhode eller trimmerskjerm hvis de er blitt utsatt for slag eller har sprekker. Bruk alltid anbefalt beskyttelse for det spesifikke skjæreutstyret. Se *Tilbehør på side 279*.
- Dette produktet er et farlig verktøy hvis du ikke er forsiktig, eller hvis du bruker fysisk, sansemessig eller mental kapasitet eller personer uten erfaring og kunnskap, hvis de ikke er under tilsyn og får instruksjoner i bruk av maskinen av en person som er ansvarlig for deres sikkerhet. Barn må holdes under oppsyn for å sikre at de ikke leker med apparatet.
- La aldri barn bruke eller oppholde seg i nærheten av maskinen. Siden maskinen er lett å starte, kan barn starte den hvis de ikke holdes under oppsyn. Dette kan medføre risiko for alvorlig personskade. Batteriet må derfor kobles fra når maskinen ikke er under oppsyn.
- Produktet og/eller batteriet må aldri brukes av barn eller personer som ikke har fått opplæring i bruken av det.
- Oppbevar utstyret i et låsbart område, slik at det er utilgjengelig for barn og uautoriserte personer.
- Hold alltid hender og føtter borte fra klippeområdet, og spesielt når motoren slås på.
- Når produktet er slått av, må du holde hender og føtter unna skjæreutstyret til det har stoppet helt.
- Ikke fjern avklippet materiale eller la andre personer fjerne det mens produktet er slått på eller skjæreutstyret roterer. Dette kan føre til alvorlige skader.
- Husk at det er du som bruker som har ansvaret for å unngå at personer eller eiendom utsettes for fare.
- Den opprinnelige konstruksjonen til produktet må ikke under noen omstendigheter endres uten tillatelse fra produsenten. Bruk alltid originalt tilbehør. Uautoriserte endringer og/eller tilleggsgutstyr kan medføre alvorlige skader eller dødsfall for brukeren eller andre. Garantien din dekker kanskje ikke skader eller erstatningsansvar som følge av bruk av uautoriserte tilbehør og reservedeler.
- Det neste tilbehøret som kan brukes med dette produktet, er skjæreutstyret som anbefales i kapitlet om tilbehør. Se *Tilbehør på side 279*.

- Bruk aldri et produkt som er modifisert slik at det ikke lenger er i samsvar med originalutførelsen.
- Bruk aldri et defekt produkt. Utfør sikkerhetskontrollene og vedlikeholds- og serviceinstruksjonene i denne bruksanvisningen. Noen vedlikeholds- og servicetiltak må utføres av erfarne og kvalifiserte spesialister. Se instruksjonene under overskriften Vedlikehold.
- Arbeid i dårlig vær er slitsomt og kan medføre ekstra faremomenter. Det anbefales ikke å bruke maskinen i veldig dårlig vær, for eksempel i tett tåke, kraftig regn, sterk vind eller sterk kulde eller ved fare for lyn. Dette gir økt fare.
- Arbeid aldri på en stige, skammel eller stå på noe annet som ikke er ordentlig sikret.
- Produktet bør oppbevares innendørs når det ikke er i bruk.
- Det er umulig å dekke alle de tenkelige situasjonene som kan oppstå. Vær alltid forsiktig og bruk sunn fornuft. Unngå situasjoner du ikke føler deg tilstrekkelig kvalifisert for. Hvis du etter å ha lest disse instruksjonene fortsatt føler deg usikker vedrørende bruken, skal du rådføre deg med en ekspert før du fortsetter.
- Sørg for at ingen mennesker eller dyr kommer nærmere enn 15 m unna mens du arbeider. Hvis flere arbeider på samme sted, skal sikkerhetsavstanden være minst 15 meter. Ellers kan dette medføre risiko for alvorlig personskade. Stopp produktet øyeblikkelig hvis noen kommer nærmere. Sving aldri produktet rundt uten først å ha kontrollert bakover at ingen befinner seg innenfor sikkerhetssonen.
- Sørg for at mennesker, dyr eller annet ikke kan påvirke kontrollen av produktet, og at de ikke kommer i kontakt med skjæreutstyret eller løse gjenstander som slynges ut av skjæreutstyret. Bruk imidlertid aldri produktet uten mulighet til å kunne påkalle hjelp ved en ulykke.
- Sørg for at du kan gå og stå sikkert. Se etter eventuelle hindre ved uventet forfylling (røtter, steiner, greiner, groper, forhøyninger osv.). Vær meget forsiktig ved arbeid i skrånende terreng.
- Gå, ikke løp.
- Inspiser arbeidsområdet. Fjern alle løse gjenstander, for eksempel steiner, glasskår, spiker, ståltråd, snorer osv., som kan bli slynget av sted eller vikle seg rundt kapperen eller kapperbeskyttelsen.
- Se opp for grenstumper som kan slynges i vei under kapping. Klipp ikke for nær bakken, der steiner og andre gjenstander kan bli slynget av gårde.
- Forsikre deg om at ingen klær eller kroppsdeler kan komme i kontakt med skjæreutstyret når produktet er slått på. Hold produktet under midjehøyde.
- Se opp for gjenstander som slynges ut. Godkjent øyevern skal alltid brukes. Bøy deg aldri over beskyttelsen for skjæreutstyret. Steiner, skrot o.l. kan bli slynget opp i øynene og forårsake blindhet eller alvorlige skader.
- Vær alltid oppmerksom på varsel signaler eller tilrop ved bruk av hørselsvern. Ta alltid av hørselvernet så snart produktet stopper.
- Hvis det oppstår uønskede vibrasjoner, mater du ut ny tråd, slik at tråden får riktig lengde. Dette skal stoppe vibrasjonen.
- Hvis produktet begynner å vibrere unormalt, må du stoppe produktet og ta ut batteriet.
- Overeksponering for vibrasjoner kan føre til blodkar- eller nerveskader hos personer som har dårlig blodsirkulasjon. Oppsøk lege hvis du opplever fysiske symptomer som kan relateres til overeksponering for vibrasjoner. Eksempel på slike symptomer er dovnang, manglende følelse, «kiling», «stikk», smerte, manglende eller redusert styrke, forandringer i hudens farge eller overflate. Disse symptomene opptrer vanligvis i fingre, hender eller håndledd.
- Hold alltid i produktet med begge hender. Hold produktet på høyre side av kroppen.

## Personlig verneutstyr



**ADVARSEL:** Les de følgende advarselinstruksjonene før du bruker produktet.

- Benytt alltid godkjent verneutstyr når du bruker produktet. Verneutstyr kan aldri fullstendig forhindre skade, men det reduserer skadeomfanget hvis ulykken inntreffer. Spør forhandleren din om hjelp til å velge riktig utstyr.
  - Bruk vernehjelm dersom det kan være fare for fallende gjenstander.
  - Bruk godkjent hørselsvern med tilstrekkelig lyddempende virkning. Langvarig eksponering for støy kan gi varige hørselsskader.
  - Bruk godkjent øyevern. Ved bruk av visir skal det også brukes godkjente vernebriller. Godkjente vernebriller er slike som tilfredsstiller standard ANSI Z87.1 for USA eller EN 166 for EU-land.
  - Bruk visir for å beskytte ansiktet. Et visir er ikke nok for å beskytte øynene.
- (Fig. 19)
- Bruk hansker når det er nødvendig, for eksempel når du fester, undersøker eller rengjør skjæreutstyret.
  - Bruk sklisikre og solide støvler.
  - Bruk klær av et slitesterkt materiale. Bruk alltid tykke langbukser og lange ermer. Unngå bruk av altfor vide klær som lett henger seg fast i kvister og grener. Ikke bruk smykker, kortbukser eller sandaler, og ikke gå barbert. Sett håret opp over skuldernivå.
- (Fig. 20)
- Ha førstehjelpsutstyr for hånden.
- (Fig. 21)



## Sikkerhetsutstyr på produktet



**ADVARSEL:** Les de følgende advarselsinstruksjonene før du bruker produktet.

I dette avsnittet forklares produktets sikkerhetsfunksjoner, hvilken funksjon det har, og hvordan man utfører kontroll og vedlikehold for å være sikker på at det fungerer. Se bruksanvisningen under overskriften *Innledning på side 267* for å finne ut hvor disse delene er plassert på produktet.

Levetiden til produktet kan forkortes og risikoen for ulykker kan øke dersom produktvedlikeholdet ikke utføres på riktig måte, og dersom service eller reparasjoner ikke er fagmessig utført. Hvis du trenger ytterligere informasjon, kan du kontakte nærmeste servicecenter.



**ADVARSEL:** Bruk aldri et produkt med skader på sikkerhetsutstyret. Produktets sikkerhetsutstyr skal kontrolleres og vedlikeholdes som beskrevet i dette avsnittet. Hvis produktet ikke består alle kontrollene, må serviceverksted oppsøkes for reparasjon.



**OBS:** All service og reparasjon av maskinen krever spesialutdanning. Dette gjelder særlig maskinens sikkerhetsutstyr. Hvis maskinen ikke består alle kontrollene som er oppgitt nedenfor, må du oppsøke et serviceverksted. Kjøp av våre produkter garanterer at du kan få utført en fagmessig reparasjon og service. Hvis maskinen ikke er kjøpt hos en av våre servicefaghandlere, så spør dem etter nærmeste serviceverksted.

### Slik kontrollerer du brukergrensesnittet

- Trykk på og hold inne start/stopp-knappen (A).
  - Produktet er slått på når displayet (B) slås på. (Fig. 22)
  - Produktet er slått av når displayet slås av.
- Hvis varsellampen på displayet slås på eller blinker, kan du se *Brukergrensesnitt på side 277*.

### Slik kontrollerer du kraftutløserperren

Kraftutløserperren er konstruert for å forhindre at maskinen aktiveres ved et uhell. Når du skyver kraftutløserperren fremover (A) og deretter presser kraftutløserperren mot håndtaket (B), utløses kraftutløseren (C). Når grepet rundt håndtaket slippes, tilbakestilles både kraftutløseren og kraftutløserperren til sin opprinnelige posisjon. Denne bevegelsen styres av tre uavhengige fjærer. (Fig. 23)

- Kontroller at kraftutløseren er låst når kraftutløserperren står i utgangsstillingen. (Fig. 24)
- Trykk inn kraftutløseren, og kontroller at den går tilbake til sin opprinnelige stilling når den slippes. (Fig. 25)
- Kontroller at kraftutløseren og kraftutløserperren kan bevege seg fritt og at returfjæren fungerer som den skal.
- Start produktet. Se *Slik starter du produktet på side 275*.
- Gi full gass.
- Slipp kraftutløseren, og forsikre deg om at skjæreutstyret stopper og forblir i ro.

### Slik kontrollerer du beskyttelsen for skjæreutstyret



**ADVARSEL:** Ikke bruk skjæreutstyr uten en godkjent og korrekt festet beskyttelse. Bruk alltid anbefalt beskyttelse for skjæreutstyr for det skjæreutstyret du bruker. Se *Tilbehør på side 279*. Hvis feil eller defekt beskyttelse for skjæreutstyr monteres, kan dette forårsake alvorlig personskade.

Beskyttelsen for skjæreutstyret stopper gjenstander som kastes ut i retning av brukeren. Det forhindrer også skader som oppstår hvis du berører skjæreutstyret.

- Stans produktet, og fjern batteriet.
- Utfør en visuell sjekk etter skader, for eksempel sprekker. (Fig. 26)
- Skift ut beskyttelsen for skjæreutstyret hvis den er skadet.

### Trimmerhode

- Bruk alltid riktig trimmerhode og skjæreutstyr, og bruk alltid anbefalt trimmertråd. Se *Tilbehør på side 279* og monteringsinstruksjonene bakerst i bruksanvisningen.
- Pass på at kapperen på trimmerskjermen ikke er skadet.
- Pass på at trimmertråden vikles stramt og jevnt rundt trommelen, slik at du unngår uvanlige vibrasjoner fra produktet. Forskjellige trådlengder kan føre til unødvendige vibrasjoner. Dunk lett på trimmerhodet for å få riktig lengde på tråden.

For å forlenge trådens levetid kan du legge den i vann i et par døgn før den settes inn. Dette gjør tråden mer robust.

### Sikkerhetsinstruksjoner for montering



**ADVARSEL:** Les, forstå og følg disse instruksjonene nøye før du bruker produktet.

- Ta batteriet ut av produktet før du setter sammen produktet.
- Bruk godkjente vernehansker.
- Et deksel som er skadet eller ikke fungerer som det skal, kan føre til personskade. Ikke bruk skjæreutstyr som ikke har en godkjent beskyttelse montert.
- Sørg for at du monterer dekslet og rigrørret på riktig måte før du starter produktet.
- Medbringerhjulet og støtteflensen må monteres riktig i senterhullet til skjæreutstyret. Skjæreutstyr som er festet feil, kan forårsake skade eller død.
- Hvis det følger en sele med tilbehøret, må selen festes riktig til produktet. Selen sikrer trygg bruk og forhindrer skader på brukeren og andre personer.
- Fjern batteriet før du utfører vedlikehold, andre kontroller eller monterer produktet.
- Operatøren må bare utføre vedlikehold og service som refereres til i denne bruksanvisningen. Henvend deg til forhandleren for mer omfattende vedlikehold og service.
- Ikke rengjør batteriet eller batteriladeren med vann. Sterke vaskemidler kan skade platen.
- Hvis du ikke utfører vedlikehold, minsker levetiden til produktet og risikoen for ulykker øker.
- Det kreves spesiell opplæring for alt vedlikehold og reparasjonsarbeid, spesielt for sikkerhetsutstyret på produktet. Hvis ikke alle kontrollene i denne bruksanvisningen er godkjent etter at du har gjort vedlikehold, må du ta kontakt med serviceforhandleren. Vi garanterer at fagmessig reparasjon og service er tilgjengelig for produktet.
- Bruk bare originale reservedeler.
- Bruk alltid robuste hansker når du reparerer skjæreutstyret. Bladene er svært skarpe og kan lett forårsake skader.

## Sikkerhetsinstruksjoner for vedlikehold



**ADVARSEL:** Les de følgende advarslene før du utfører vedlikehold på produktet.

## Montering

### Slik monterer du loophåndtaket

1. Fest loophåndtaket til rigrørret mellom pilene. Ikke plasser loophåndtaket eller opphengsløkken på etiketten. (Fig. 27)
2. Flytt avstandsstykket inn i sporet til loophåndtaket.
3. Fest mutteren, knotten og skruen – ikke for stramt.
4. Juster produktet slik at det kan brukes komfortabelt.
5. Trekk til bolten.

### Slik monterer du skjæreutstyret

Vernet består av et skjæreutstyr og et vern.



**ADVARSEL:** Bruk vernehansker.



**ADVARSEL:** Bruk alltid det vernet for skjæreutstyret som anbefales for skjæreutstyret. Se *Tekniske data på side 278*.



**ADVARSEL:** Skjæreutstyr som er festet på feil måte, kan forårsake skader eller død.

### Slik monterer du beskyttelsen for skjæreutstyret

1. Fest beskyttelsen for skjæreutstyret (A) til kroken på plateholderen (B). (Fig. 28)

2. Monter beskyttelsen for skjæreutstyret på rigrørret, og stram til med bolten (C).

### Slik fjerner du beskyttelsen for skjæreutstyret

- Løsne bolten (C), og fjern beskyttelsen for skjæreutstyret (A) fra rigrørret. (Fig. 29)

### Montering av trimmerhoder



**ADVARSEL:** Ved montering av skjæreutstyr er det svært viktig at den forhøyede delen på medbringerhjulet/støtteflensen havner riktig i skjæreutstyrets midtre hull. Hvis du monterer skjæreutstyret på feil måte, kan det forårsake alvorlig og/eller livstruende personskade.



**ADVARSEL:** Skjæreutstyr må ikke under noen omstendigheter brukes uten at godkjent beskyttelse er montert. Se *Tilbehør på side 279*. Hvis feil eller defekt beskyttelse er montert, kan dette forårsake alvorlig personskade.

### Slik monterer du trimmerhodet

1. Sett medbringerhjulet (B) på den utgående akselen.
2. Vri den utgående akselen slik at et av hullene i medbringerhjulet står på linje med det riktige hullet i girhuset.
3. Sett låsepinen (C) inn i hullet slik at rigrørret låses.
4. Vri trimmerhodet (H) mot urviseren for å feste det. (Fig. 30)

## Slik tar du av trimmerhodet

1. Sett låsepinnen (C) inn i hullet slik at riggrøret låses.
2. Vri trimmerhodet (H) med urviseren for å fjerne det.

3. Fjern medbringerhjulet (B) fra den utgående akselen. (Fig. 30)

---

## Drift

---

### Innledning



**ADVARSEL:** Les og forstå kapittelet om sikkerhet før du bruker produktet.

### Slik kobler du batteriet til produktet



**ADVARSEL:** Bruk bare originale Husqvarna-batterier i produktet.

1. Kontroller at batteriet er fulladet.
2. Skyv batteriet inn i batteriholderen på produktet. Batteriet låses på plass når du hører et klikk. (Fig. 31)



**OBS:** Hvis det er vanskelig å få batteriet inn batteriholderen, er dette fordi du prøver å sette det inn på feil måte. Dette kan skade produktet.

3. Sørg for at batteriet settes inn på riktig måte.

### Arbeidsposisjon

- Hold i produktet med begge hender.
- Hold produktet på høyre side av kroppen.
- Ha skjæreutstyret under midjehøyde.
- Hold kroppsdeler unna varme overflater.
- Hold kroppsdeler unna skjæreutstyret.

### Før du bruker produktet

- Undersøk arbeidsområdet for å forsikre deg om at du er klar over hvordan terrenget og hellingen er. Undersøk også om det finnes noen hindringer som steiner, grener eller grøfter i veien.
- Utfør en inspeksjon av produktet.
- Utfør sikkerhetskontrollene, vedlikeholdet og servicen som er angitt i denne bruksanvisningen.
- Kontroller at alle deksler, beskyttelser, håndtak og skjæreutstyr er riktig festet og ikke er skadet.
- Undersøk støtteflensen for sprekker. Bytt støtteflensen hvis den er skadet.

(Fig. 32)

- Undersøk trimmerhodet og beskyttelsen for skjæreutstyret for skader eller sprekker. Bytt ut trimmerhodet og beskyttelsen for skjæreutstyret hvis de har blitt utsatt for slag, eller hvis de har sprekker.

(Fig. 33)

### Slik starter du produktet

1. Trykk på og hold inne startknappen inne til den grønne indikatorlampen tennes. (Fig. 34)
2. Bruk kraftutløseren til å styre hastigheten.

### Slik begrenser du det maksimale turtallet med modusknappen

Produktet har en modusknapp. Med modusknappen kan brukeren begrense det maksimale turtallet. Modusknappen har tre turtallsnivåer. Et lavere nivå forlenger brukstiden for produktet. Bruk nivå 1 og nivå 2 hvis bruken ikke krever fullt turtall / full effekt. Hvis driftsforholdene krever fullt turtall / full effekt, bruker du nivå 3. Ikke bruk et høyere nivå enn nødvendig for driften.

1. Trykk på modusknappen for å stille inn en grense for maksimalt turtall. Den hvite LED-lampen tennes for å vise at funksjonen er slått på. (Fig. 35)
2. Trykk på modusknappen én gang til for å velge neste turtallsnivå.

### Funksjon for automatisk avslåing

Produktet er utstyrt med en avslåingsfunksjon som deaktiverer det hvis det ikke brukes.

### Gresstrimming med trimmerhode

#### Slik trimmer du gress

1. Hold trimmerhodet like over bakken, og vipp det lett. (Fig. 36) Ikke skyv gresstrimmertråden inn i gresset.
2. Bruk 80 % turtall når du klipper gress i nærheten av objekter. (Fig. 37)

#### Slik klipper du gress

1. Kontroller at gresstrimmertråden er parallell med bakken når du klipper. (Fig. 38)
2. Ikke dytt trimmerhodet ned i bakken. Bakken og produktet kan bli skadet.
3. Ikke la trimmerhodet berøre bakken kontinuerlig; dette kan føre til skade på trimmerhodet.
4. Bruk fullt turtall når du beveger produktet fra side til side for å klippe gress. (Fig. 39) Kontroller at gresstrimmertråden er parallell med bakken.

#### Slik samler du opp gresset

Luftstrømmen fra den roterende trimmertråden kan brukes til å fjerne gress fra et bestemt område.

1. Hold trimmerhodet og tråden parallelt med og over bakken.
2. Gi full gass.
3. Beveg trimmerhodet fra side til side, og samle opp gresset.

en kontroll av de andre delene på trimmerhodet, og rengjør det om nødvendig.



**ADVARSEL:** Rengjør trimmerhodets deksel hver gang du monterer en ny trimmertråd for å forhindre ubalanse og vibrasjon i håndtakene. Utfør også

## Slik stopper du produktet

1. Slipp kraftutløseren eller kraftutløsesperren.
2. Trykk på stoppknappen. (Fig. 34)
3. Trykk på utløserknappene på batteriet, og trekk ut batteriet. (Fig. 40)

## Vedlikehold

### Innledning



**ADVARSEL:** Før du utfører vedlikeholdsarbeid, må du lese og forstå kapittelet om sikkerhet.

### Vedlikeholdsskjema



**ADVARSEL:** Fjern batteriet før du utfører vedlikehold.

Under følger en liste over vedlikeholdstrinnene som må utføres på produktet.

Vedlikehold	Daglig	Ukentlig	Månedlig
Rengjør de utvendige delene av produktet med en tørr klut. Du må ikke bruke vann.	X		
Kontroller at start/stopp-knappen fungerer som den skal, og at den ikke er skadet.	X		
Kontroller at kraftutløseren og kraftutløsesperren fungerer riktig med hensyn til sikkerhet.	X		
Pass på at alle kontrollene fungerer og ikke er skadet.	X		
Hold håndtakene tørre, rene og frie for olje og fett.	X		
Kontroller at skjæreutstyret ikke er skadet. Skift ut skjæreutstyret hvis det er skadet.	X		
Kontroller at skjæreutstysbeskyttelsen eller kniven ikke er skadet. Skift ut skjæreutstysbeskyttelsen eller kniven hvis den er skadet.	X		
Kontroller at skruer og mutre sitter stramt.	X		
Kontroller at utløserknappene på batteriet fungerer og låser batteriet i produktet.	X		
Kontroller at batteriet ikke er skadet.	X		
Kontroller at batteriet er ladet.	X		
Kontroller at batteriladeren ikke er skadet, og at den fungerer som den skal.	X		
Undersøk alle kabler, koblinger og forbindelser. Pass på at de er rene og ikke er skadet.		X	
Kontroller at vinkelgiret er korrekt fylt med fett. Se <i>Slik smører du vinkelgiret på side 277</i> . Hvis ikke, bruker du Husqvarna-fett til vinkelgir.		X	
Kontroller forbindelsene mellom batteriet og produktet. Kontroller forbindelsen mellom batteriet og batteriladeren.			X

## Slik rengjør du produktet, batteriet og batteriladeren

1. Rengjør produktet med en tørr klut etter bruk.
2. Rengjør batteriet og batteriladeren med en tørr klut. Hold batterispolene rene.
3. Kontroller at terminalene på batteriet og batteriladeren er rene før batteriet settes i batteriladeren eller produktet.

## Slik smører du vinkelgiret

1. Fjern klippeutstyret.
2. Plasser produktet med smørepluggen i høyeste posisjon.

3. Ta ut smørepluggen. (Fig. 41)
4. Se inn i hullet til smørepluggen, og drei drivakselen. Fettnivået (A) må være i vater med toppen av girtennene (B). (Fig. 42)
5. Hvis smørenivået er for lavt, fyller du vinkelgiret med Husqvarna-fett til vinkelgir. Fyll sakte og drei drivakselen mens du påfører fett til vinkelgir, og stopp på riktig nivå (B).



**OBS:** Feil mengde fett kan føre til skade på vinkelgiret.

6. Monter smørepluggene.

## Feilsøking

### Brukergrensesnitt

Problem	Mulige feil	Mulig handling
Batterilampen blinker oransje.	Lav batterispenning.	Lad batteriet.
LED-feillampen blinker rødt	Overbelastning.	Skjæreutstyret har satt seg fast. Stopp produktet. Fjern batteriet. Fjern uønsket materiale fra skjæreutstyret.
	Temperaturavvik.	La produktet avkjøles.
	Kraftutløseren og aktiveringsknappen trykkes samtidig.	Slipp kraftutløseren, så er produktet aktivt.
Produktet starter ikke	Smuss på batterikontaktene	Rengjør batterikontaktene med trykkluft eller en myk børste.
LED-feillampen lyser rødt.	Produktet trenger service.	Kontakt serviceverkstedet ditt.

## Transport, oppbevaring og avhending

### Transport og oppbevaring

- De medfølgende litiumionbatteriene samsvarer med kravene i loven om farlige varer.
- Følg de spesifikke kravene på emballasje og etiketter for kommersiell transport, inkludert av tredjeparter og fraktleverandører.
- Snakk med en person med spesiell opplæring i farlige materialer før du sender produktet. Følg alle gjeldende nasjonale forskrifter.
- Bruk tape på åpne kontakter når du plasserer batteriet i en pakke. Pakk batteriet stramt for å hindre bevegelse.
- Fjern batteriet ved lagring og transport.
- Oppbevar batteriet og batteriladeren på et sted som er tørt og fri for fukt og frost.
- Batteriet må ikke oppbevares på steder der det kan forekomme statisk elektrisitet. Ikke oppbevar batteriet i en metallkasse.
- Oppbevar batteriet i temperaturer mellom 5 °C (41 °F) og 25 °C (77 °F) og unna direkte sollys.
- Oppbevar batteriladeren i temperaturer mellom 5 °C (41 °F) og 45 °C (113 °F) og unna direkte sollys.
- Bruk batteriladeren bare i temperaturer mellom 5 °C (41 °F) og 40 °C (104 °F).
- Lad opp batteriet til 30–50 % før du setter det til oppbevaring i lange perioder.
- Oppbevar batteriladeren på et sted som er lukket og tørt.
- Hold batteriet og batteriladeren separert under oppbevaring. Ikke la barn eller andre uautoriserte

personer røre utstyret. Oppbevar utstyret i et område som kan låses.

- Rengjør produktet og utfør en fullstendig service før du setter det til oppbevaring i lang tid.
- Bruk transportbeskyttelsen på produktet for å unngå personskader eller skade på produktet under transport og oppbevaring.
- Fest produktet på en sikker måte under transport.

## Kassering av batteri, batterilader og produktet

Symbolene på produktet eller produktemballasjen angir at dette produktet ikke skal håndteres som restavfall.

Resirkuler det på et gjenvinningsanlegg for elektrisk og elektronisk utstyr. Dette bidrar til å forhindre miljøskader og personskader.

Ta kontakt med lokale myndigheter, det lokale renovasjonsvesenet eller forhandleren hvis du ønsker mer informasjon om hvordan produktet ditt skal gjenvinnes.

---

## Tekniske data

---

### Tekniske data

	<b>325iL</b>
<b>Motor</b>	
Motortype	BLDC (børsteløs) 36 V
Turtall på utgående aksel, o/min	5800
Klippebredde, mm	420
<b>Vekt</b>	
Vekt uten batteri og skjæreutstyr, kg	3,0
<b>Støyutslipp</b> <sup>52</sup>	
Lydeffektnivå, målt dB (A)	93
Lydeffektnivå, garantert L <sub>WA</sub> dB (A)	96
<b>Lydnivåer</b> <sup>53</sup>	
Ekvivalent lydtryknivå ved brukerens øre, målt etter ISO 22868, dB (A):	
Utstyrt med trimmerhode (originalt)	84
<b>Vibrasjonsnivåer</b> <sup>54</sup>	
Vibrasjonsnivåer i håndtak, målt i henhold til ISO 22867, m/sek <sup>2</sup>	
Utstyrt med trimmerhode (originalt), foran/bak, m/s <sup>2</sup>	4,3 / 2,9

<sup>52</sup> Utslipp av støy til omgivelsene målt som lydeffekt (LWA) samsvarer med EF-direktiv 2000/14/EF. Rapporterte lydeffektnivåer for maskinen er målt med det originale skjæreutstyret som gir høyest nivå. Forskjellen mellom garantert og målt lydeffekt er at garantert lydeffekt også omfatter spredning i måleresultatet og variasjoner mellom forskjellige maskiner av samme modell, i henhold til direktivet 2000/14/EF.

<sup>53</sup> Rapporterte data for lydtryknivå for maskinen har en typisk statistisk spredning (standardavvik) på 3 dB (A) og er målt med originaltilbehør som gir det høyeste nivået.

<sup>54</sup> Rapporterte data for vibrasjonsnivå har en typisk statistisk spredning (standardavvik) på 2 m/s<sup>2</sup>. Bruk vibrasjonskalkulatoren for å sammenligne vibrasjonsnivåer, batteri- og bensindrevne produkter. <https://www.husqvarna.com/uk/services-solutions/vibration-calculator/>.

## Godkjente batterier

<b>Batteri</b>	<b>BLI 200</b>
Type	Litium-ion
Batterikapasitet, Ah	5,2
Nominell spenning, V	36
Vekt, kg (lb)	1,3 (2,9)

## Godkjente batteriladere

<b>Batterilader</b>	<b>QC330</b>
Inngangsspenning, V	100–240
Frekvens, Hz	50–60
Effekt, W	330

---

## Tilbehør

---

### Tilbehør

Godkjent tilbehør	Tilbehørstype	Beskyttelse for skjærestyr, art.nr.
Sentrumshull i klinger/kniver Ø 25,4		
Gjenge på utgangsaksel M10		
Trimmerhode	T35 (Whisper Twist-trimmertråd, maks. Ø 2,4 mm)	597 01 62-02

# Samsvarserklæring

## EU-samsvarserklæring

Vi, **Husqvarna AB**, SE-561 82 Huskvarna, Sverige, tlf.:  
+46 36 146500, erklærer på eget ansvar at produktet:

<b>Beskrivelse</b>	Batteridrevet gresstrimmer
<b>Merke</b>	Husqvarna
<b>Type/modell</b>	325iL
<b>ID</b>	Serienumre datert 2023 og senere

fullstendig overholder følgende EU-direktiver og  
-forskrifter:

Direktiv/regulering	Beskrivelse
2006/42/EC	«angående maskiner»
2014/30/EMC	«angående elektromagnetisk kompatibilitet»
2011/65/EU	«angående restriksjoner for farlige stoffer»
2000/14/EF	«angående utendørsstøy»

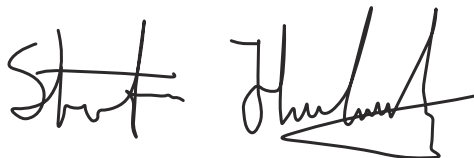
og at følgende standarder eller tekniske spesifikasjoner er anvendt: EN 62841-1:2015/AC:2015, EN 62841-4-4 (IEC 62841-4-4:2020), EN 61000-6-1:2007 (Immunity), EN 61000-6-3:2007/A1:2011/AC:2012 (Emission).

RISE SMP Svensk Maskinprovning AB, Box 4053, SE-904 03 Umeå, Sweden har utført frivillig typeprøving i samsvar med vedlegg IX i 2006/42/EF. Sertifikatnr.: SEC/23/2579.

Notified body: 0404, RISE SMP Svensk Maskinprovning AB, Box 4053, SE-904 03 Umeå, Sweden har også bekreftet samsvar med vedlegg VI i rådsdirektiv 2000/14/EF.

For informasjon som gjelder støyutslipp, kan du se *Tekniske data på side 278*.

Huskvarna, 2022-12-01



Stefan Holmberg, FoU-direktør, teknologiledelse,  
Husqvarna AB

Ansvarlig for teknisk dokumentasjon





---

# SPIS TREŚCI

---

Wstęp.....	281	Transport, przechowywanie i utylizacja.....	293
Bezpieczeństwo.....	282	Dane techniczne.....	294
Montaż.....	289	Akcesoria.....	295
Przeznaczenie.....	290	Deklaracja zgodności.....	296
Przegląd.....	291	Załącznik.....	447
Rozwiązywanie problemów.....	292		

---

## Wstęp

---

### Opis produktu

Husqvarna 325iL to akumulator do podkaszarki do trawy z silnikiem elektrycznym.

Nieustannie prowadzone są prace w celu zwiększenia bezpieczeństwa użytkownika i wydajności pracy. Dodatkowo informacje można uzyskać w centrum serwisowym.

### Przeznaczenie

Produktu należy używać z głowicą żyłkową do ścinania różnego rodzaju roślin. Nie używać produktu do innych zadań niż przycinanie i wykaszanie trawy.

### Przegląd produktu

(Rys. 1)

1. Instrukcja obsługi
2. Przekładnia zębata stożkowa
3. Otwór na kołek blokujący
4. Głowica żyłkowa
5. Osłona osprzętu tnącego
6. Tarcza zabierakowa
7. Klucz dwustronny
8. Uchwyt pałakowy
9. Pokrętło
10. Wałek
11. Kołek blokujący
12. Wskaźnik ostrzegawczy (dioda LED)
13. Przycisk start/stop
14. Przycisk trybu prędkości
15. Blokada spustu
16. Interfejs użytkownika
17. Manetka gazu
18. Przewód ładowarki akumulatora
19. Ładowarka
20. Dioda LED zasilania i dioda LED ostrzeżenia
21. Przyciski odłączania akumulatora
22. Akumulator
23. Dioda LED stanu ładowania
24. Dioda LED ostrzeżenia
25. Przycisk wskaźnika akumulatora

**Uwaga:** Użytkowanie może podlegać regulacji przepisami państwowymi lub lokalnymi. Należy przestrzegać odpowiednich przepisów

---

Należy korzystać wyłącznie z akcesoriów zatwierdzonych do użytku przez producenta. Patrz *Akcesoria na stronie 295.*

### Symbole znajdujące się na produkcie

(Rys. 2) **OSTRZEŻENIE!** Produkt może być niebezpieczny! Następstwem nieuważnej lub nieprawidłowej obsługi mogą być poważne obrażenia lub śmierć użytkownika bądź innych osób. Jest niezmiernie ważne, by ze zrozumieniem przeczytać treść instrukcji obsługi. Należy dokładnie przeczytać instrukcję obsługi i przed uruchomieniem urządzenia upewnić się, że wszystkie wskazówki zostały zrozumiane.

(Rys. 3) Stosować atestowane ochronniki słuchu. Stosować atestowane środki ochrony oczu.

(Rys. 4) Prędkość maksymalna lub prędkość bez obciążenia.

XXXX/min  
lub min<sup>-1</sup> | Obroty lub ruchy posuwisto-zwrotne na minutę.

(Rys. 5) Napięcie znamionowe, V

(Rys. 6) Prąd stały.

- (Rys. 7) Produkt jest zgodny z odpowiednimi dyrektywami WE.
- (Rys. 8) Ten produkt jest zgodny z przepisami obowiązującymi w Wielkiej Brytanii.
- (Rys. 9) Nosić rękawice ochronne.
- (Rys. 10) Stosować mocne, przeciwpoślizgowego obuwie ochronne.
- (Rys. 11) Używać tylko niemetalowego elastycznego osprzętu tnącego.
- (Rys. 12) Symbole znajdujące się na produkcie oraz na opakowaniu informują o tym, że nie wolno traktować go jako zwykły odpad domowy. Niniejszy produkt należy oddać do utylizacji w odpowiednim zakładzie utylizacji odpadów.
- (Rys. 13) Osprzęt jest w stanie odrzucać z dużą siłą przedmioty, które mogą odbić się
- (Rys. 14) Przed przystąpieniem do konserwacji odłączyć akumulator.
- (Rys. 15) Produkt jest zabezpieczony przed rozbryzgami wody.
- (Rys. 16) Trzymać wszystkie części ciała z dala od powierzchni gorących.
- (Rys. 17) Etykieta emisji hałasu do środowiska zgodnie z dyrektywami oraz przepisami UE i Wielkiej Brytanii, a także przepisami Nowej Południowej Walii „Protection of the Environment Operations (Noise Control) Regulation 2017”. Gwarantowany poziom mocy akustycznej urządzenia jest określony w *Dane techniczne na stronie 294*.

**yyyywwxxxx** Tabliczka znamionowa zawiera numer seryjny. **yyyy** to rok produkcji, **ww** oznacza tydzień produkcji, a **xxxx** — numer seryjny.

(Rys. 18) Użytkownik jest zobowiązany dopilnować, aby żadne osoby postronne ani zwierzęta nie znajdowały się w odległości mniejszej niż 15 m. Wymóg 15-metrowej bezpiecznej odległości ma również zastosowanie w przypadku, gdy kilku operatorów pracuje w tym samym miejscu

**Uwaga:** Pozostałe symbole/naklejki samoprzylepne umieszczone na produkcie dotyczą wymogów związanych z certyfikatami w innych obszarach komercyjnych.

## Uszkodzenie produktu

Nie odpowiadamy za uszkodzenia naszego produktu, w przypadku gdy:

- produkt jest nieprawidłowo naprawiany.
- produkt jest naprawiany przy użyciu części nie pochodzących od producenta lub niezatwierdzonych przez producenta.
- produkt jest wyposażony w akcesoria nie pochodzące od producenta lub niezatwierdzone przez producenta.
- produkt nie jest naprawiany w autoryzowanym centrum serwisowym lub przez autoryzowaną placówkę.

## Bezpieczeństwo

### Definicje dotyczące bezpieczeństwa

Ostrzeżenia, uwagi i informacje są używane do zwrócenia uwagi na szczególnie ważne sekcje instrukcji obsługi.



**UWAGA:** Jest używane, gdy istnieje ryzyko uszkodzenia materiałów lub urządzenia w wyniku nieprzestrzegania instrukcji obsługi.



**OSTRZEŻENIE:** Jest używane, gdy istnieje ryzyko poważnych obrażeń, śmierci operatora lub uszkodzenia otoczenia w wyniku nieprzestrzegania instrukcji obsługi.

**Uwaga:** Stosuje się, aby przekazać więcej informacji, które są przydatne w danej sytuacji.

## Ostrzeżenia dotyczące bezpieczeństwa dla narzędzi elektrycznych



**OSTRZEŻENIE:** Zapoznać się ze wszystkimi ostrzeżeniami dotyczącymi bezpieczeństwa, zasadami, ilustracjami i specyfikacjami dołączonymi do tego narzędzia. Niezastosowanie się do wszystkich poniższych instrukcji może spowodować porażenie prądem, pożar lub poważne obrażenia.

- **Zachowaj wszystkie ostrzeżenia i instrukcje do korzystania z nich w przyszłości.** Termin „narzędzie elektryczne” używany w ostrzeżeniach dotyczy narzędzia zasilanego prądem z sieci elektrycznej (przewodowego) lub narzędzia zasilanego z akumulatora (beprzewodowego).

### Bezpieczeństwo miejsca pracy

- **Miejsce pracy powinno być czyste i dobrze oświetlone.** Obszary zaciemnione i takie, w których panuje nieład, mogą powodować wypadki.
- **Nie należy używać narzędzi elektrycznych w atmosferze wybuchowej, takiej jak w przypadku obecności cieczy palnych, gazów lub pyłów.** Narzędzia zasilane tworzą iskry, które mogą zapalić pył lub opary.
- **Podczas pracy z użyciem narzędzia elektrycznego należy trzymać dzieci i osoby przechodzące z daleka.** W wyniku utraty uwagi możesz stracić kontrolę nad urządzeniem.

### Zasady bezpieczeństwa – elektryczność

- **Wtyczki narzędzi elektrycznych muszą odpowiadać gniazdom.** Zabrania się dokonywania przeróbek wtyczki. Nie należy stosować adapterów w przypadku uziemionych narzędzi elektrycznych. Nieprzerobione wtyczki i dopasowane gniazdzka pozwalają zredukować ryzyko porażenia prądem.
- **Należy unikać kontaktu ciała z powierzchniami uziemionymi, takimi jak rury, grzejniki, kucharki i lodówki.** Uziemienie ciała powoduje zwiększenie ryzyka porażenia prądem.
- **Nie należy wystawiać narzędzi elektrycznych na działanie deszczu lub wilgoci.** Woda, która przedostanie się do narzędzia elektrycznego, zwiększa ryzyko porażenia elektrycznego.
- **Nie niszczyć przewodu. Nigdy nie korzystać z przewodu do przenoszenia, ciągnięcia lub odłączania narzędzia elektrycznego.** Przewód należy utrzymywać z dala od źródeł ciepła, olejów, ostrych krawędzi lub ruchomych części. Uszkodzone lub splątane kable zwiększają zagrożenie porażenia prądem.
- **Używając narzędzia elektrycznego na zewnątrz budynków, należy korzystać z odpowiedniego przedłużacza.** Stosowanie przewodu przeznaczonego do użytku na zewnątrz

budynków pozwala ograniczyć ryzyko porażenia prądem.

- **Jeśli nieuniknione jest użycie narzędzia w warunkach dużej wilgotności, należy zastosować zasilanie chronione wyłącznikiem różnicowo-prądowym (RCD).** Korzystanie z wyłącznika różnicowo-prądowego (RCD) zmniejsza ryzyko porażenia prądem.

### Bezpieczeństwo osób

- **Używając narzędzi elektrycznych, należy zachować skupienie, obserwować wykonywane czynności i kierować się zdrowym rozsądkiem. Nie należy używać narzędzi elektrycznych, kiedy użytkownik jest zmęczony lub pod wpływem działania narkotyków, alkoholu lub leków.** Chwila nieuwagi podczas obsługi narzędzia elektrycznego może doprowadzić do poważnych obrażeń.
- **Stosować środki ochrony osobistej. Należy zawsze stosować środki ochrony wzroku.** Sprzęt ochronny, taki jak maski, antypoślizgowe buty robocze, kask lub środki ochrony słuchu stosowane w odpowiednich warunkach pozwalają obniżyć ryzyko odniesienia obrażeń.
- **Należy zapobiec niezamierzonemu rozruchowi.** Przed podłączeniem do źródła zasilania i/lub akumulatora, podniesieniem lub przeniesieniem narzędzia należy upewnić się, że przełącznik znajduje się w położeniu wyłączenia. Przenoszenie narzędzia zasilanego z palcem na przełączniku lub wystawianie włączonego narzędzia na działanie energii elektrycznej może prowadzić do wypadków.
- **Przed włączeniem narzędzia elektrycznego należy usunąć wszelkie klucze.** Klucz pozostawiony przy części wirującej narzędzia może spowodować obrażenia ciała.
- **Nie należy przeceniać swoich możliwości.** Stać na stabilnym podłożu i zachować równowagę. Pozwoli to zachować lepszą kontrolę nad narzędziem elektrycznym w nieoczekiwanych sytuacjach.
- **Należy odpowiednio się ubierać. Nie należy zakładać luźnych ubrań i nosić biżuterii.** Włosy oraz ubranie należy trzymać z dala od elementów ruchomych. Luźna odzież, biżuteria lub długie włosy mogą zostać wciągnięte przez ruchome części.
- **Jeśli dołączone jest wyposażenie służące do podłączenia urządzeń odprowadzających i gromadzących pył, należy zadbać o jego podłączenie i właściwe używanie.** Stosowanie urządzeń odprowadzających pył może ograniczyć zagrożenia związane z obecnością pyłu.
- **Częste używanie urządzeń nie zwalnia operatora z obowiązku zachowania czujności i przestrzegania zasad bezpieczeństwa podczas korzystania z produktu.** Nierozważne działanie może doprowadzić do poważnych obrażeń w ułamku sekundy.

## Użytkowanie i konserwacja narzędzia elektrycznego

- **Nie należy wysilać nadmiernie narzędzia. Używać narzędzia elektrycznego dopasowanego do zastosowania.** Właściwe narzędzie zasilane pozwoli lepiej i bezpieczniej wykonać pracę, do której zostało przeznaczone.
- **Nie należy używać narzędzia elektrycznego, jeśli przełącznik nie może go wyłączyć lub wyłączyć.** Jeśli narzędzie zasilane nie może być kontrolowane za pomocą wyłącznika, jest ono niebezpieczne i musi być oddane do naprawy.
- **Przed dokonaniem jakichkolwiek regulacji, zmianą akcesoriów lub odłożeniem do przechowywania odłączyć wtyczkę od źródła zasilania i/lub wyjąć akumulator z narzędzia, jeśli jest taka możliwość.** Takie działanie zapobiegawcze redukuje ryzyko przypadkowego uruchomienia narzędzia.
- **Należy przechowywać nieużywane narzędzia elektryczne poza zasięgiem dzieci i nie pozwalać osobom nie zaznajomionym z narzędziami elektrycznymi lub niniejszymi instrukcjami ich obsługiwać.** Narzędzia zasilane są niebezpieczne w rękach nieprzeszkolonych użytkowników.
- **Konserwacja narzędzi elektrycznych i akcesoriów**  
**Należy sprawdzić ustawienie w osi elementów mocujących lub ruchomych, uszkodzenia części i inne warunki, które mogą mieć wpływ na działanie narzędzia elektrycznego.** W przypadku uszkodzenia narzędzie zasilane należy naprawić przed użyciem. Wiele wypadków spowodowanych jest przez niewłaściwą konserwację narzędzi elektrycznych.
- **Narzędzia tnące należy utrzymywać w stanie naostrzonym i czystym.** Właściwie konserwowane narzędzia tnące, z ostrymi krawędziami tnącymi dają mniejsze prawdopodobieństwo zacinania i łatwiej je kontrolować.
- **Narzędzia elektryczne, oprzyrządowanie i końcówki** powinny być używane zgodnie z niniejszymi instrukcjami, biorąc pod uwagę warunki robocze oraz zadanie, jakie należy wykonać. Korzystanie z narzędzia zasilanego do zadań innych, niż te, do których jest przeznaczone, może być niebezpieczne.
- **Utrzymywać uchwyty i powierzchnie do chwytania w stanie suchym, czystym oraz wolnym od smaru i oleju.** Śliskie uchwyty i powierzchnie do chwytania nie pozwalają na bezpieczną obsługę i kontrolę narzędzia w nieoczekiwanych sytuacjach.

## Użytkowanie i konserwacja narzędzia elektrycznego zasilanego akumulatorem

- **Ładować jedynie za pomocą ładowarki wskazanej przez producenta.** Ładowarka przeznaczona do jednego rodzaju akumulatora może grozić pożarem w przypadku wykorzystania jej do ładowania innego rodzaju akumulatora.
- **Narzędzi elektrycznych należy używać wyłącznie w połączeniu z określonym rodzajem akumulatorów.**

Użycie akumulatorów innego rodzaju może stworzyć zagrożenie obrażeniami ciała i pożarem.

- **Kiedy akumulator nie jest używany, należy przechowywać go z dala od innych metalowych przedmiotów, takich jak spinacze do papieru, monety, klucze, gwoździe i śruby oraz innych niewielkich metalowych przedmiotów, które mogłyby połączyć dwa zaciski akumulatora.** Spięcie zacisków akumulatora może spowodować oparzenia lub pożar.
- **W niewłaściwych warunkach z akumulatora może wypłynąć płyn. Należy unikać kontaktu z tym płynem. Jeżeli dojdzie do kontaktu, przemyć wodą. Jeśli dojdzie do kontaktu płynu z oczami, należy dodatkowo skorzystać z pomocy medycznej.** Płyn wydostający się z akumulatora może wywołać podrażnienia lub oparzenia.
- **Nie używać akumulatora ani narzędzia, jeśli są one uszkodzone lub zostały zmodyfikowane.** Uszkodzone lub zmodyfikowane akumulatory mogą charakteryzować się nieprzewidywalnymi właściwościami skutkującymi pożarem, eksplozją lub ryzykiem doznania obrażeń przez użytkownika.
- **Nie wystawiać akumulatora ani narzędzia na działanie ognia bądź nadmiernej temperatury.** Narażenie na pożar lub temperaturę przekraczającą 130°C (266 °F) może spowodować wybuch.
- **Postępować zgodnie ze wszystkimi instrukcjami dotyczącymi ładowania i nie ładować akumulatora ani narzędzia w temperaturach wykraczających poza zakres określony w instrukcji.** Nieprawidłowe ładowanie lub ładowanie w temperaturach wykraczających poza dopuszczalny zakres może uszkodzić akumulator i zwiększyć ryzyko pożaru.

## Serwis

- **Narzędzie zasilane należy przekazać do wykwalifikowanego personelu serwisowego w celu naprawy z użyciem identycznych części zamiennych.** Zapewni to bezpieczną pracę narzędzia elektrycznego.
- **Pod żadnym pozorem nie należy serwisować uszkodzonych akumulatorów.** Serwisowanie akumulatorów powinno być wykonywane wyłącznie przez producenta lub autoryzowany serwis.

## Ostrzeżenia dotyczące bezpieczeństwa dla podkaszarki, wykaszarki i wycinarki

- **Nie używać maszyny przy złych warunkach pogodowych, szczególnie jeśli istnieje ryzyko wystąpienia burzy.** Zmniejsza to ryzyko porażenia piorunem.
- **Dokładnie sprawdzić obszar, w którym ma być używana maszyna, pod kątem występowania dzikich zwierząt.** Podczas pracy maszyny może dojść do obrażeń ciała u dzikich zwierząt.
- **Należy dokładnie sprawdzić miejsce, w którym będzie używana maszyna, i usunąć wszelkie kamienie, patyki, druty, kości i inne przedmioty.**

Wyrzucane przedmioty mogą spowodować obrażenia.

- **Przed użyciem maszyny należy zawsze wzrokowo sprawdzić, czy tarcza tnąca lub nóż oraz zespół tnący lub zespół noża nie są uszkodzone.** Uszkodzone części zwiększają ryzyko odniesienia obrażeń.
- **Należy przestrzegać instrukcji dotyczących wymiany akcesoriów.** Nieprawidłowo dokręcone nakrętki lub śruby mocujące nóż mogą spowodować jego uszkodzenie lub odłączenie.
- **Znamionowa prędkość obrotowa tarczy tnącej musi być równa przynajmniej maksymalnej prędkości obrotowej maszyny.** Tarcze tnące działające z większą prędkością niż znamionowa prędkość obrotowa mogą ulec uszkodzeniu i pęknięciu na kawałki.
- **Stosować środki ochrony oczu, uszu, głowy i dłoni.** Odpowiednie środki ochrony osobistej zmniejszą ryzyko obrażeń od latających odłamków lub na skutek przypadkowego kontaktu z żyłką tnącą lub nożem.
- **Podczas obsługi maszyny należy zawsze nosić ochronne obuwie przeciwpoślizgowe. Nie obsługiwać maszyny boso lub w sandałach.** Zmniejsza to ryzyko odniesienia obrażeń stóp w wyniku kontaktu z ruchomą tarczą tnącą, żyłką lub nożem.
- **Podczas obsługi maszyny należy zawsze nosić długie spodnie.** Odsłonięta skóra jest bardziej narażona na obrażenia powodowane przez wyrzucane przedmioty.
- **Podczas obsługi maszyny nie wolno dopuszczać do obecności w pobliżu osób postronnych.** Odrzucony podczas przycinania materiał może doprowadzić do ciężkich obrażeń.
- **Maszynę należy zawsze obsługiwać dwiema rękami.** Trzymanie maszyny obydwoma rękami pozwoli uniknąć utraty kontroli.
- **Maszynę należy trzymać wyłącznie za uchwyty o izolowanej powierzchni, ponieważ żyłka tnąca lub nóż mogą podczas pracy naruszyć ukryte przewody.** Jeśli żyłka tnąca lub noże zetkną się z przewodem pod napięciem, mogą wywołać przepływ prądu przez nieosłonięte metalowe części maszyny, co może prowadzić do porażenia operatora.
- **Zawsze należy utrzymywać stabilną postawę i obsługiwać maszynę wyłącznie w pozycji stojącej.** Śliskie lub niestabilne podłoże mogą spowodować utratę równowagi lub kontroli nad maszyną.
- **Nie wolno używać maszyny na zbyt stromych zboczach.** Zmniejsza to ryzyko utraty kontroli, poślizgnięcia się i upadku, a tym samym odniesienia obrażeń.
- **Podczas pracy na pochyłościach należy zawsze stać na stabilnym podłożu i pracować w poprzek zbocza, a nie w górę lub w dół, a także zachować szczególną ostrożność przy zmianie kierunku jazdy.** Zmniejsza to ryzyko utraty kontroli, poślizgnięcia się i upadku, a tym samym odniesienia obrażeń.

- **Podczas pracy maszyny wszystkie części ciała należy trzymać z dala od tarczy tnącej, żyłki lub noża. Przed uruchomieniem maszyny należy upewnić się, że tarcza tnąca, żyłka lub nóż z niczym się nie stykają.** Chwila nieuwagi podczas obsługi maszyny może doprowadzić do obrażeń operatora lub osób postronnych.
- **Nie używać maszyny powyżej wysokości pasa.** Pozwala to uniknąć przypadkowego dotknięcia tarczy tnącej lub noża i zapewnia lepszą kontrolę nad maszyną w nieoczekiwanych sytuacjach.
- **W czasie cięcia naprężonych krzewów lub młodych drzew należy uważać na odbicie.** Uwolnienie napięcia w włóknach drewna może doprowadzić do odbicia i uderzenia operatora i/lub utraty kontroli nad maszyną.
- **Zachowaj szczególną ostrożność w czasie cięcia krzewów i młodych drzew.** Cienki materiał może zostać pochwycony przez nóż i pociągnięty w stronę operatora lub spowodować utratę równowagi.
- **Należy utrzymywać kontrolę nad maszyną i nie dotykać tarcz tnących, żyłek i noży ani innych niebezpiecznych części ruchomych, gdy znajdują się one w ruchu.** Zmniejsza to ryzyko odniesienia obrażeń przez ruchome części.
- **Podczas usuwania zakleszczonego materiału lub serwisowania urządzenia należy upewnić się, że wszystkie przełączniki znajdują się w pozycji OFF (WYŁ.), a przewód zasilający jest odłączony.** Nieoczekiwane uruchomienie maszyny podczas usuwania zakleszczonego materiału lub serwisowania może spowodować poważne obrażenia ciała.
- **Maszynę należy przenosić po jej wyłączeniu i z dala od ciała.** Prawidłowa obsługa maszyny zmniejsza prawdopodobieństwo przypadkowego kontaktu z poruszającą się tarczą tnącą, żyłką lub nożem.
- **Podczas transportu lub przechowywania maszyny należy zawsze zakładać osłonę na metalowe ostrza.** Prawidłowa obsługa maszyny zmniejsza prawdopodobieństwo przypadkowego kontaktu z ostrzem.
- **Należy używać wyłącznie wymiennych tarcz tnących, żyłek, głowic tnących i noży zalecanych przez producenta.** Nieprawidłowe części zamienne mogą zwiększyć ryzyko uszkodzenia maszyny lub odniesienia obrażeń ciała.

## Pozostałe informacje ogólne dotyczące bezpieczeństwa

- Przechodząc na inne miejsce pracy, należy wyłączyć produkt. Zawsze wyjmować akumulator przed przekazaniem produktu innej osobie.
- Nigdy nie należy odkładać urządzenia, chyba że zostało wyłączone, a akumulator został wyjęty. Nie pozostawiać urządzenia bez nadzoru, gdy jest włączone.
- Narzędzie tnące nie zatrzymuje się natychmiast po wyłączeniu urządzenia.

- Przed użyciem produktu i po każdym uderzeniu należy sprawdzić go pod kątem oznak zużycia lub uszkodzenia i w razie potrzeby naprawić.
- Jeżeli cokolwiek zablokuje się w osprzęcie tnącym podczas obsługiwanego produktu, należy zatrzymać i wyłączyć urządzenie. Upewnić się, że osprzęt tnący zatrzymał się całkowicie. Przed czyszczeniem, sprawdzeniem lub naprawą produktu bądź osprzętu tnącego należy wyjąć akumulator.
- Przed uruchomieniem produktu należy sprawdzić jego stan techniczny. Patrz *Zespoły zabezpieczające na produkcie na stronie 287* oraz *Przegląd na stronie 291*. Nie należy używać uszkodzonego produktu. Przeprowadzać kontrole bezpieczeństwa oraz czynności z zakresu konserwacji i obsługi technicznej podane w niniejszej instrukcji.
- Niewłaściwy lub uszkodzony osprzęt tnący zwiększa ryzyko wypadku.
- Sprawdzić, czy nie ma pęknięć lub zanieczyszczeń na przekładni. Za pomocą szczotki oczyścić przekładnię z trawy i liści. Rękawic należy używać wtedy, kiedy to jest konieczne.
- Otwory wentylacyjne muszą być cały czas drożne i wolne od zanieczyszczeń.
- Sprawdzić, czy głowica żyłkowa jest przytwierdzona do wykazarki.
- Przed uruchomieniem maszyny należy zamocować wszystkie pokrywy, osłony i uchwyty.
- Sprawdzić, czy produkt działa prawidłowo. Sprawdzić, czy dokręcone są wszystkie śruby i nakrętki.
- Skontrolować, czy głowica żyłkowa i osłona przeciwdopryskowa nie są uszkodzone ani pęknięte. Głowicę żyłkową lub osłonę głowicy, które zostały uderzone lub na których występują pęknięcia, należy wymienić na nowe. Zawsze stosować osłonę zalecaną dla danego osprzętu tnącego. Patrz *Akcesoria na stronie 295*.
- Ten produkt jest niebezpiecznym narzędziem w przypadku nieostrożnego postępowania lub nieprawidłowego korzystania. Produkt może spowodować poważne obrażenia ciała lub śmierć operatora lub innych osób.
- Urządzenie nie może być używane przez osoby (w tym dzieci) o ograniczonych zdolnościach fizycznych, sensorycznych lub umysłowych, lub nie posiadające odpowiedniego doświadczenia i wiedzy, chyba że są pod nadzorem lub zostały poinstruowane na temat użytkowania urządzenia przez osobę odpowiedzialną za ich bezpieczeństwo. Dzieci muszą być pod nadzorem, aby nie mogły bawić się urządzeniem.
- Nigdy nie pozwalać dzieciom na użytkowanie lub przebywanie w pobliżu urządzenia. Ponieważ maszynę łatwo uruchomić, dzieci mogą być w stanie ją włączyć, jeżeli nie będą pilnowane. Oznacza to ryzyko poważnych obrażeń. Dlatego należy odłączyć akumulator, gdy maszyna nie jest pod nadzorem.
- Nigdy nie pozwalać na użytkowanie ani serwisowanie produktu dzieciom lub innym osobom, które nie mają odpowiednich kwalifikacji.
- Przechowywać urządzenie w miejscu niedostępnym dla dzieci i osób niepowołanych.
- Ręce i stopy należy cały czas trzymać z dala od obszaru cięcia, zwłaszcza w czasie włączania silnika.
- Trzymać ręce i stopy z dala od osprzętu tnącego aż do momentu całkowitego zatrzymania po wyłączeniu produktu.
- Nie próbować odciągać ciętego materiału ani nie pozwalać tego robić innym, kiedy urządzenie pracuje lub osprzęt tnący się obraca, gdyż może to doprowadzić do poważnych obrażeń.
- Pamiętaj o tym, że operator ponosi odpowiedzialność za narażanie ludzi i ich własności na wypadki lub zagrożenia.
- Pod żadnym pozorem nie wolno zmieniać ani modyfikować fabrycznej konstrukcji urządzenia bez zezwolenia wydanego przez producenta. Zawsze należy korzystać z oryginalnych akcesoriów. Samowolne wprowadzanie zmian oraz/lub montowanie wyposażenia niezatwierdzonego przez producenta może stać się przyczyną groźnych obrażeń lub śmierci obsługującego urządzenie bądź innych osób. Gwarancja może nie obejmować uszkodzeń powstałych w wyniku używania niezatwierdzonych akcesoriów lub części zamiennych.
- Jedynymi akcesoriami, których można używać z tym urządzeniem, są elementy osprzętu tnącego zalecane w rozdziale Akcesoria. Patrz *Akcesoria na stronie 295*.
- Nie wolno używać urządzenia, które zostało w jakikolwiek sposób zmodyfikowane.
- Nie wolno pracować uszkodzonym urządzeniem. Przeprowadzać kontrole bezpieczeństwa oraz czynności z zakresu konserwacji i obsługi technicznej podane w niniejszej instrukcji. Niektóre czynności konserwacyjne i obsługowe muszą być wykonane przez przeszkolonego i wykwalifikowanego specjalistę. Patrz wskazówki w części zatytułowanej „Konserwacja”.
- Praca przy złej pogodzie jest męcząca i często zwiększa ryzyko obrażeń. Nie zaleca się używać urządzenia w bardzo niesprzyjających warunkach np. w gęstej mgłę, podczas silnego deszczu, przy silnym wietrze, na silnym mrozie lub gdy występuje ryzyko wyładowań atmosferycznych.
- Nigdy nie pracować, stojąc na drabinie lub stołku ani na żadnym podwyższeniu, które nie jest stabilne i nie zapewnia zachowania statecznej postawy podczas pracy.
- Nieużywane urządzenia należy przechowywać wewnątrz pomieszczeń
- Nie jest możliwe omówienie wszystkich sytuacji, w jakich potencjalnie możesz się znaleźć. Należy zachowywać zawsze ostrożność i kierować się zdrowym rozsądkiem. Użytkownik nie powinien

podejmować się prac, jeżeli uważa, że przekraczają one jego kwalifikacje. Jeżeli po przeczytaniu niniejszej instrukcji użytkownik nadal nie ma pewności co do sposobów postępowania, nie powinien on kontynuować pracy, zanim nie zwróci się o poradę do eksperta.

- Należy dopilnować, aby podczas pracy żadne osoby postronne ani zwierzęta nie znajdowały się w odległości mniejszej niż 15 m. Jeśli w tym samym miejscu pracuje kilku użytkowników, odległość między nimi powinna wynosić co najmniej 15 m. W przeciwnym razie istnieje ryzyko poważnych obrażeń. W przypadku zbliżenia się osób trzecich natychmiast wyłączyć urządzenie. Nigdy nie obracać produktu gwałtownie, nie upewnij się, że nikt nie znajduje się z tyłu w strefie zagrożenia.
- Dopilnować, aby ludzie, zwierzęta ani inne obiekty nie mogły zakłócić pracy urządzenia oraz aby nie weszły w kontakt z osprzętem tnącym ani luźnymi przedmiotami odrzucanymi przez osprzęt. Nigdy nie używać urządzenia, jeśli nie ma możliwości wezwania pomocy w razie wypadku.
- Należy zapewnić sobie bezpieczne poruszanie i pozycję przy pracy. Przy poruszaniu się po powierzchni roboczej należy uważać na ewentualne przeszkody (korzenie, glazy, gałęzie, doły, rowy itp.). Szczególną ostrożność należy zachować podczas pracy na pochyłym terenie.
- Należy iść, nie biec.
- Dokonać inspekcji obszaru pracy. Usunąć wszystkie porozrzucone przedmioty, jak kamienie, szkło, gwoździe, druty, sznurki i inne, które mogą zostać odrzucone przez maszynę lub zaplątać się na przearcinie lub jej ostłonie.
- Uważać na koniuszki gałęzi, które podczas cięcia mogą być odrzucane przez maszynę. Nie odcinać zbyt blisko podłoża, ponieważ grozi to wyrzuceniem przez maszynę kamieni i innych przedmiotów.
- Upewnić się, czy odzież ani żadne części ciała nie będą miały kontaktu z osprzętem tnącym, gdy produkt jest uruchomiony. Urządzenie należy trzymać poniżej pasa.
- Należy uważać na odrzucane przedmioty. Należy zawsze używać zatwierdzonych osłon oczu. Nigdy nie nachylać się nad osłoną osprzętu tnącego. Odrzucane przez urządzenie kamienie, odłamki, itp. mogą trafić w oczy, powodując utratę wzroku lub inne poważne obrażenia.
- Mając założone ochronniki słuchu należy zawsze być szczególnie uważnym na sygnały i zawołania ostrzegawcze. Ochronniki słuchu należy zdejmować zaraz po wyłączeniu maszyny.
- W przypadku wystąpienia niechcianych wibracji uderzyć głowicą w celu wysunięcia żyłki do właściwej długości. Po tym wibracje powinny ustąpić.
- Jeśli produkt znacznie wibrować w nietypowy sposób, zatrzymać go i wymontować akumulator.
- Nadmierne wibracje mogą spowodować uszkodzenia naczyń krwionośnych lub nerwów u osób mających problemy z krążeniem.

W przypadku rozpoznania u siebie objawów, których przyczyną może być narażenie na nadmierne wibracje, należy zwrócić się do lekarza. Przykładem takich objawów jest drętwienie, brak czucia, mrowienie, klucie, ból, utrata sił, zmiany koloru lub wyglądu skóry. Objawy te występują zazwyczaj w palcach, dłoniach lub nadgarstkach.

- Trzymać zawsze maszynę dwoma rękoma. Trzymać maszynę po prawej stronie ciała.

## Środki ochrony osobistej



**OSTRZEŻENIE:** Przed rozpoczęciem użytkowania produktu przeczytać następujące ostrzeżenia.

- Podczas używania produktu zawsze nosić na sobie zatwierdzone środki ochrony osobistej. Środki ochrony osobistej nie eliminują ryzyka odniesienia obrażeń, ograniczają natomiast ich rozmiar w razie zaistnienia wypadku. Skorzystaj z pomocy dealera przy wyborze odpowiedniego sprzętu.
- Stosować kask ochronny, gdy zachodzi ryzyko uderzenia spadającymi przedmiotami.
- Stosować ochronnik słuchu o wystarczających właściwościach tłumiących. Długotrwałe przebywanie w hałasie może doprowadzić do trwałej utraty słuchu.
- Stosować atestowane środki ochrony oczu. Używając maski ochronnej twarzy, nosić także zatwierdzone okulary ochronne. Za zatwierdzone okulary ochronne uważane są takie, które są zgodne z normami ANSI Z87.1 dla USA lub EN 166 dla krajów UE.
- Należy używać maski ochronnej twarzy. Maski ochronna twarzy nie chroni wystarczająco oczu.

(Rys. 19)

- W razie potrzeby, na przykład podczas mocowania, badania czy czyszczenia narzędzi tnących, stosować rękawice ochronne.
- Należy nosić trwałe, antypoślizgowe obuwie.
- Nosić odzież wykonaną z mocnego materiału. Nosić odzież z długimi nogawkami i długimi rękawami, wykonaną z mocnego materiału. Luźne części odzieży mogą zahaczyć o krzewy lub gałęzie. Nie nosić biżuterii, krótkich spodni ani sandałów i nie pracować z odsłoniętymi stopami. Związywać włosy w sposób bezpieczny powyżej poziomu barków.

(Rys. 20)

- Zawsze mieć pod ręką apteczkę pierwszej pomocy.

(Rys. 21)

## Zespoły zabezpieczające na produkcji



**OSTRZEŻENIE:** Przed rozpoczęciem użytkowania produktu przeczytać następujące ostrzeżenia.

W tym rozdziale opisano funkcje bezpieczeństwa produktu, jego przeznaczenie oraz sposób przeprowadzania czynności kontrolnych i konserwacji, aby zapewnić jego poprawne działanie. Patrz wskazówki podane w punkcie *Wstęp na stronie 281*, aby sprawdzić, gdzie te części są zlokalizowane w Twoim produkcie.

Jeżeli urządzenie nie jest prawidłowo konserwowane i nie jest poddawane profesjonalnie wykonywanym naprawom i/lub obsłudze technicznej, skracają się jego żywotność i zwiększa ryzyko wypadku. Aby uzyskać dodatkowe informacje, należy skontaktować się z najbliższym punktem serwisowym.



**OSTRZEŻENIE:** Nie wolno używać urządzenia, którego elementy zabezpieczające są uszkodzone. Elementy zabezpieczające produktu należy kontrolować i konserwować zgodnie z opisem w niniejszym rozdziale. Jeżeli Twój produkt nie spełnia któregokolwiek z warunków kontrolnych, skontaktuj się z przedstawicielem serwisu w celu dokonania naprawy.



**UWAGA:** Wszelkie czynności obsługowe i naprawy maszyny wymagają specjalnego przeszkolenia. Szczególnie dotyczy to elementów zabezpieczających urządzenia. Jeżeli maszyna nie spełnia jakiegokolwiek z niżej wymienionych warunków kontrolnych, należy ją oddać do warsztatu obsługi technicznej. Kupując nasze produkty, zyskujesz także gwarancję profesjonalnej obsługi i napraw. Jeżeli w miejscu zakupu nie jest prowadzona obsługa serwisowa, zapytaj o adres najbliższego warsztatu obsługi technicznej.

## Sprawdzanie interfejsu użytkownika

1. Wcisnąć i przytrzymać przycisk start/stop (A).
  - a) Produkt jest włączony, gdy włączą się wyświetlacz (B). (Rys. 22)
  - b) Produkt jest wyłączony, gdy wyświetlacz gaśnie.
2. Jeśli wskaźnik ostrzegawczy na wyświetlaczu jest włączony lub miga, patrz *Interfejs użytkownika na stronie 292*.

## Sprawdzanie blokady manetki gazu

Blokada manetki gazu jest tak skonstruowana, by zabezpieczać przed przypadkowym naciśnięciem. Po naciśnięciu blokady manetki gazu do przodu (A) i dociśnięciu jej do uchwytu (B) manetka gazu (C) zostaje zwolniona. Po zwolnieniu uchwytu manetka gazu i blokada dźwigni mocy powrócą do swoich pozycji wyjściowych. Ruch ten kontrolują trzy niezależne sprężyny. (Rys. 23)

1. Sprawdzić, czy manetka gazu jest zablokowana, gdy jej blokada znajduje się w swoim położeniu wyjściowym. (Rys. 24)
2. Wcisnąć blokadę manetki gazu i sprawdzić, czy po zwolnieniu powraca w swoje położenie wyjściowe. (Rys. 25)
3. Upewnić się, że manetka gazu i jej blokada poruszają się swobodnie, a sprężyna powrotna działa prawidłowo.
4. Uruchoμίć urządzenie — patrz część *Uruchamianie produktu na stronie 290*.
5. Włączyć pełne obroty.
6. Zwolnić manetkę gazu i sprawdzić, czy osprzęt tnący się zatrzymał.

## Sprawdzanie osłony osprzętu tnącego



**OSTRZEŻENIE:** Nie wolno używać osprzętu tnącego bez zatwierdzonej i prawidłowo zamocowanej osłony. Zawsze stosować osłonę osprzętu tnącego zalecaną dla danego osprzętu tnącego, patrz *Akcesoria na stronie 295*. Stosowanie niewłaściwych lub uszkodzonych osłon osprzętu tnącego może skutkować poważnymi obrażeniami.

Osłona osprzętu tnącego zatrzymuje objekty odrzucane w kierunku operatora. Zapobiega również obrażeniom ciała w przypadku dotknięcia do osprzętu tnącego.

1. Wyłączyć urządzenie i wyjąć akumulator.
2. Przeprowadzić kontrolę wzrokową pod kątem uszkodzeń, na przykład pęknięć. (Rys. 26)
3. Wymienić osłonę osprzętu tnącego, jeśli jest uszkodzona.

## Głowica żyłkowa

- Zawsze używać odpowiedniej głowicy żyłkowej, osprzętu tnącego i zalecanej żyłki. Patrz *Akcesoria na stronie 295* i montaż na końcu instrukcji.
- Upewnić się, że przecinarka na osłonie głowicy nie jest uszkodzona.
- Upewnić się, że żyłka jest nawinięta ciasno i równomiernie wokół bębna, aby zapobiec nietypowym drganiom produktu. Różne długości żyłki mogą powodować drgania, które nie są konieczne. Uderz głowicą żyłkową, aby uzyskać poprawną długość żyłki.

Aby przedłużyć żywotność żyłek, można je włożyć na 2 dni lub więcej do wody przed zamontowaniem. Spowoduje to zwiększenie odporności żyłki.



## Instrukcje bezpieczeństwa dotyczące montażu

produktu przeczytać następujące ostrzeżenia.



**OSTRZEŻENIE:** Przed przystąpieniem do użytkowania produktu należy przeczytać niniejsze instrukcje, zrozumieć je i przestrzegać ich.

- Przed złożeniem produktu wyjąć z niego akumulator.
- Nosić rękawice ochronne.
- Uszkodzona lub nieprawidłowo działająca osłona może spowodować obrażenia ciała. Nie wolno używać osprzętu tnącego bez zamontowanej zatwierdzonej osłony.
- Przed uruchomieniem urządzenia upewnić się, że osłona i wałek są prawidłowo zamontowane.
- Pierścien sprzęgający i kołnierz oporowy muszą być prawidłowo umieszczone w środkowym otworze osprzętu tnącego. Nieprawidłowy montaż osprzętu tnącego może spowodować obrażenia ciała lub śmierć.
- Jeśli wraz z osprzętem dostarczono szelki, należy je prawidłowo zamocować do produktu. Szelki zapewniają bezpieczeństwo pracy i zapobiegają odnoszeniu obrażeń ciała operatora i osób postronnych.

## Instrukcje bezpieczeństwa dotyczące konserwacji



**OSTRZEŻENIE:** Przed rozpoczęciem prac konserwacyjnych

- Wyjąć akumulator przed rozpoczęciem prac konserwacyjnych, innych przeglądów lub montażu produktu.
- Użytkownikowi wolno wykonywać tylko te czynności konserwacyjne i serwisowe, które są wskazane w niniejszej instrukcji obsługi. W przypadku czynności konserwacyjnych i serwisowych o szerszym zakresie należy zwrócić się do autoryzowanego serwisu.
- Do czyszczenia akumulatora ani ładowarki nie należy używać wody. Silne detergenty mogą spowodować uszkodzenie tworzywa sztucznego.
- Zaniedbanie czynności konserwacyjnych skróci cykl życia produktu i zwiększy ryzyko wypadków.
- Dla wszystkich prac serwisowych i naprawczych, zwłaszcza dla urządzeń zabezpieczających na produkcie, konieczne jest specjalne przeszkolenie. Jeśli nie wszystkie opisane w niniejszej instrukcji obsługi kontrole zakończą się pomyślnie po wykonaniu konserwacji, należy zwrócić się do autoryzowanego serwisu. Gwarantujemy profesjonalne naprawy i serwisowanie produktu.
- Używaj wyłącznie oryginalnych części zamiennych.
- Przystępując do naprawy osprzętu tnącego zawsze zakładać mocne rękawice ochronne. Ostrza tnące są bardzo ostre i mogą łatwo spowodować obrażenia.

## Montaż

### Mocowanie uchwyty pałkowego

1. Zamocuj uchwyt pałkowy na drążku między strzałkami. Nie umieszczać uchwyty pałkowego ani pierścienia zawieszenia na etykietcie. (Rys. 27)
2. Umieść element dystansowy we wgłębieniu w uchwycie pałkowym.
3. Zamontuj nakrętkę, pokrętko i śrubę, nie dokręcając zbyt mocno.
4. Ustaw urządzenie w wygodnym położeniu.
5. Dokręć śrubę.

### Montaż narzędzia tnącego

Narzędzie tnące składa się z osprzętu tnącego oraz osłony osprzętu tnącego.



**OSTRZEŻENIE:** Stosować rękawice ochronne.



**OSTRZEŻENIE:** Zawsze używać osłony osprzętu tnącego zalecanej dla danego osprzętu tnącego. Patrz *Dane techniczne* na stronie 294.



**OSTRZEŻENIE:** Nieprawidłowo zamontowany osprzęt tnący może spowodować obrażenia ciała lub śmierć.

### Montaż osłony osprzętu tnącego

1. Przymocować osłonę osprzętu tnącego (A) do haka uchwyty płytki (B). (Rys. 28)
2. Zamontować osłonę osprzętu tnącego na wałku i dokręcić ją śrubą (C).

### Demontaż osłony osprzętu tnącego

- Poluzować śrubę (C) i zdjąć osłonę osprzętu tnącego (A) z wałka. (Rys. 29)

## Montaż głowic żyłkowych



**OSTRZEŻENIE:** Podczas montażu osprzętu tnącego bardzo ważne jest, aby pierścien sprężający / prowadnik kołnierza oporowego wszedł na właściwe miejsce w środkowym otworze osprzętu tnącego. Nieprawidłowo zamontowany osprzęt tnący może stać się przyczyną poważnych obrażeń, grożących nawet utratą życia.



**OSTRZEŻENIE:** W żadnym wypadku nie wolno używać osprzętu tnącego bez zamontowanej, zatwierdzonej osłony. Patrz *Akcesoria na stronie 295*. Stosowanie niewłaściwych lub uszkodzonych osłon może stać się przyczyną poważnych obrażeń.

## Montaż głowicy żyłkowej

1. Zamontować pierścien sprężający (B) na wałku zdawczym.
2. Obrócić wałek zdawczy tak, aby jeden z otworów pierścienia sprężającego znalazł się dokładnie naprzeciw odpowiadającego mu otworu w korpusie przekładni.
3. Umieścić kołek blokujący (C) w otworze, tak aby wałek został zabezpieczony.
4. Obrócić głowicę żyłkową (H) w lewo. (Rys. 30)

## Demontaż głowicy żyłkowej

1. Umieścić kołek blokujący (C) w otworze, tak aby wałek został zabezpieczony.
2. Obrócić głowicę żyłkową (H) zgodnie z ruchem wskazówek zegara, aby ją wyjąć.
3. Zdjąć tarczę zabierakową (B) z wałka zdawczego. (Rys. 30)

## Przeznaczenie

### Wstęp



**OSTRZEŻENIE:** Przed użyciem produktu należy zapoznać się z rozdziałem dotyczącym bezpieczeństwa.

### Podłączanie akumulatora do produktu



**OSTRZEŻENIE:** W produkcie należy używać wyłącznie oryginalnych akumulatorów Husqvarna.

1. Należy sprawdzić, czy akumulator jest w pełni naładowany.
2. Wsunąć akumulator do uchwytu akumulatora produktu. Po usłyszeniu kliknięcia akumulator zablokuje się na miejscu. (Rys. 31)



**UWAGA:** Jeśli akumulator nie jest łatwo wsunąć do uchwytu, akumulator nie jest prawidłowo zainstalowany. Niezastosowanie się do tego zalecenia może spowodować uszkodzenie produktu.

3. Sprawdzić, czy akumulator jest prawidłowo zainstalowany.

### Pozycja robocza

- Produkt należy mocno trzymać dwiema rękami.
- Trzymać produkt po prawej stronie tułowia.
- Osprzęt tnący trzymaj na wysokości poniżej pasa.
- Trzymać części ciała z dala od gorących powierzchni.

- Trzymać części ciała z dala od osprzętu tnącego.

### Przed użyciem urządzenia

- Sprawdzić obszar roboczy, aby poznać rodzaj terenu i nachylenie podłoża, oraz upewnić się, że nie występują przeszkody takie jak kamienie, gałęzie czy rowy.
- Przeprowadzić inspekcję produktu.
- Wykonać kontrole bezpieczeństwa, czynności konserwacyjne i czynności serwisowe opisane w niniejszej instrukcji.
- Upewnić się, że narzędzie tnące oraz wszystkie pokrywy, osłony i uchwyty są prawidłowo zamocowane i nie są uszkodzone.
- Sprawdzić, czy na kołnierzu oporowym nie ma pęknięć. Wymienić kołnierz oporowy, jeżeli jest uszkodzony.

(Rys. 32)

- Sprawdzić głowicę żyłkową i osłonę osprzętu tnącego pod kątem uszkodzeń lub pęknięć. Wymienić głowicę żyłkową i osłonę osprzętu tnącego, jeżeli zostały uderzone lub są popękane.

(Rys. 33)

### Uruchamianie produktu

1. Nacisnąć i przytrzymać włącznik do momentu zapalenia się zielonej diody LED. (Rys. 34)
2. Do sterowania szybkością służy manetka gazu.

### Ograniczanie maksymalnej prędkości przy użyciu przycisku trybu

Produkt jest wyposażony w przycisk trybu. Za pomocą przycisku trybu operator może ograniczyć maksymalną

prędkość. Przycisk trybu ma 3 poziomy prędkości. Niższy poziom wydłuża czas pracy produktu. Poziom 1 i poziom 2 należy stosować, jeśli praca nie wymaga pełnych obrotów/pełnej mocy. Jeśli warunki pracy wymagają pełnych obrotów / pełnej mocy, należy użyć poziomu 3. Nie używać poziomu wyższego niż jest to konieczne w celu wykonania tej czynności.

1. Nacisnąć przycisk trybu, aby ustawić ograniczenie maksymalnej prędkości. Biały wskaźnik LED sygnalizuje włączenie tej funkcji. (Rys. 35)
2. Nacisnąć ponownie przycisk trybu, aby wybrać następną poziom prędkości.

## Funkcja automatycznego wyłączenia

Produkt ma funkcję wyłączania, która go zatrzymuje, gdy nie jest on używany.

## Przycinanie trawy głowicą żyłkową

### Podkaszanie trawy

1. Trzymać głowicę żyłkową tuż nad ziemią, przechylając ją lekko pod kątem. (Rys. 36) Nie przyciskać żyłki do wykaszania trawy.
2. Wykorzystywać 80% obrotów podczas koszenia trawy w pobliżu przedmiotów. (Rys. 37)

### Koszenie trawy

1. Upewnić się, że żyłka podczas cięcia jest ustawiona równolegle do podłoża. (Rys. 38)
2. Nie dociskać głowicy żyłkowej do ziemi. Istnieje ryzyko uszkodzenia ziemi i produktu.

3. Nie dopuszczać do ciągłego dotykania ziemi przez głowicę żyłkową, ponieważ może to spowodować uszkodzenie głowicy.
4. Pracować na pełnych obrotach podczas przemieszczania produktu na boki podczas cięcia trawy. (Rys. 39) Upewnić się, że głowica żyłkowa jest ustawiona równolegle do podłoża.

## Zamiatanie trawy

Strumień powietrza wytwarzany przez obracającą się głowicę żyłkową można wykorzystać do usuwania skoszzonej trawy z obszaru roboczego.

1. Trzymać głowicę żyłkową oraz żyłkę równolegle nad podłożem.
2. Włączyć pełne obroty.
3. Przesuwać głowicę żyłkową z boku na bok, aby zamieść trawę.



**OSTRZEŻENIE:** Wyczyścić pokrywę głowicy żyłkowej po każdym założeniu nowej żyłki, aby zapewnić prawidłowe wyważenie i zapobiec drganiu uchwytów. Sprawdź pozostałe elementy głowicy żyłkowej i wyczyść w razie potrzeby.

## Wyłączanie produktu

1. Zwolnić manetkę gazu lub blokadę manetki gazu.
2. Wcisnąć przycisk zatrzymania. (Rys. 34)
3. Nacisnąć przyciski zwalniające akumulator i wyciągnąć go. (Rys. 40)

# Przegląd

## Wstęp



**OSTRZEŻENIE:** Przed rozpoczęciem prac konserwacyjnych należy przeczytać ze zrozumieniem rozdział poświęcony bezpieczeństwu.

## Plan konserwacji



**OSTRZEŻENIE:** Wyjąć akumulator przed przystąpieniem do konserwacji.

Poniżej zamieszczono listę czynności konserwacyjnych, które należy wykonywać przy produkcji.

Konserwacja	Codziennie	Co tydzień	Co miesiąc
Oczyścić zewnętrzne części produktu za pomocą suchej szmatki. Nie należy stosować wody.	X		
Sprawdzić, czy przycisk start i stop działa prawidłowo i nie jest uszkodzony.	X		
Sprawdzić, czy manetka gazu i funkcja blokady manetki gazu działają prawidłowo pod względem bezpieczeństwa.	X		
Upewnić się, że wszystkie elementy sterujące działają i nie są uszkodzone.	X		
Utrzymywać uchwyty w stanie suchym, czystym oraz wolnym od smaru i oleju.	X		

Konserwacja	Codzien- nie	Co ty- dzień	Co mie- siąc
Należy sprawdzić, czy osprzęt tnący nie jest uszkodzony. Wymienić osprzęt tnący, jeśli jest uszkodzony.	X		
Sprawdzić, czy osłona osprzętu tnącego lub nóż nie są uszkodzone. Wymienić osłonę osprzętu tnącego lub nóż, jeśli są uszkodzone.	X		
Upewnić się, że wszystkie nakrętki i śruby są prawidłowo dokręcone.	X		
Sprawdzić, czy działają przyciski uwalniające akumulator oraz czy blokują go na miejscu w produkcji.	X		
Należy sprawdzić, czy akumulator nie jest uszkodzony.	X		
Należy sprawdzić, czy akumulator jest naładowany.	X		
Sprawdzić, czy ładowarka nie jest uszkodzona i działa prawidłowo.	X		
Sprawdzić stan wszystkich przewodów, połączeń i złączy. Upewnić się, że nie są uszkodzone i są wolne od zanieczyszczeń.		X	
Sprawdzić, czy przekładnia zębata stożkowa jest prawidłowo wypełniona smarem, patrz <i>Smarowanie przekładni zębatej stożkowej na stronie 292</i> . Jeśli nie, użyć smaru do przekładni zębatej stożkowej Husqvarna.		X	
Sprawdzić połączenia pomiędzy akumulatorem a urządzeniem. Sprawdzić połączenie pomiędzy akumulatorem a ładowarką.			X

## Czyszczenie produktu, akumulatora i ładowarki

- Po użyciu wyczyścić produkt za pomocą suchej szmatki.
- Wyczyścić akumulator i ładowarkę suchą szmatką. Akumulator i zaciski należy utrzymywać w czystości.
- Upewnić się, że styki akumulatora i ładowarki są czyste przed umieszczeniem akumulatora w ładowarce lub w produkcji.

## Smarowanie przekładni zębatej stożkowej

- Wymontować osprzęt tnący.
- Ustawić urządzenie z zatyczką smaru w najwyższym położeniu.

- Usunąć zatyczkę smaru. (Rys. 41)
- Zaglądając do otworu zatyczki smaru, obracać wałek napędowy. Poziom smaru (A) musi być wyrównany z górną krawędzią zębów koła zębatego (B). (Rys. 42)
- Jeśli poziom smaru jest zbyt niski, napełnić przekładnię zębatą stożkową smarem Husqvarna. Obracać wałek napędowy, powoli napełniając przekładnię zębatą stożkową smarem do odpowiedniego poziomu (B).



**UWAGA:** Nieprawidłowa ilość smaru może spowodować uszkodzenie przekładni zębatej stożkowej.

- Założyć zatyczkę smaru.

## Rozwiązywanie problemów

### Interfejs użytkownika

Problem	Możliwe usterki	Możliwe działania
Wskaźnik LED akumulatora miga na pomarańczowo	Niskie napięcie akumulatora.	Naładować akumulator.

Problem	Możliwe usterki	Możliwe działania
Dioda LED błędu miga na czerwono	Przełączenie.	Osprzęt tnący jest zablokowany. Zatrzymać urządzenie. Wyjąć akumulator. Oczyszczyć osprzęt tnący z niepożądanego materiału.
	Odchylenia temperatury.	Poczekać, aż produkt ostygnie.
	Należy jednocześnie nacisnąć dźwignię mocy i przycisk uruchamiający.	Zwolnić włącznik zasilania w celu aktywowania urządzenia.
Produkt nie uruchamia się	Zabrudzone złącza baterii.	Wyczyścić złącza akumulatora strumieniem sprężonego powietrza lub miękkim pędzlem.
Dioda LED błędu świeci ciągłym światłem czerwonym	Urządzenie wymaga serwisu.	Skontaktować się ze swoim punktem serwisowym.

## Transport, przechowywanie i utylizacja

### Transport i przechowywanie

- Dołączone akumulatory litowo-jonowe są zgodne z przepisami dotyczącymi towarów niebezpiecznych.
- Należy przestrzegać specjalnych zaleceń podanych na opakowaniu i etykietach, dotyczących transportu komercyjnego, w tym także usług transportowych świadczonych przez strony trzecie i spedytorów.
- Przed wysłaniem produktu należy porozmawiać z osobą przeszkoloną w zakresie materiałów niebezpiecznych. Przestrzegać wszystkich przepisów krajowych, które mają zastosowanie.
- Podczas umieszczania akumulatora w opakowaniu zabezpieczyć otwarte zaciski taśmą. Zapakować akumulator w taki sposób, aby ściśle przylegał do opakowania, co zapobiegnie jego przemieszczaniu.
- Wyjmować akumulator na czas przechowywania lub transportu.
- Przechowywać akumulator i ładowarkę w miejscu suchym i wolnym od wilgoci oraz nienarażonym na mróz.
- Nie przechowywać akumulatora w miejscu, gdzie może występować prąd statyczny. Nie przechowywać akumulatora w metalowym pojemniku.
- Przechowywać akumulator w miejscu, w którym temperatura wynosi od 5°C do 25°C, z dala od bezpośredniego działania promieni słonecznych.
- Przechowywać ładowarkę w miejscu, w którym temperatura wynosi od 5°C do 45°C, z dala od bezpośredniego działania promieni słonecznych.

- Ładowarkę należy użytkować w zakresie temperatur od 5°C do 40°C.
- Naładować akumulator od 30% do 50% przed dłuższym okresem jego przechowywania.
- Przechowywać ładowarkę w zamkniętym i suchym miejscu.
- Przechowywać akumulator z dala od ładowarki. Nie wolno pozwalać dzieciom ani innym osobom postronnym na dotykaniu sprzętu. Przechowywać sprzęt w miejscu, które można zamknąć.
- Przed odstawieniem urządzenia na dłuższe przechowywanie należy je wyczyścić oraz przeprowadzić pełny przegląd.
- Użyć osłony transportowej na produkcie, aby zapobiec obrażeniom lub uszkodzeniu urządzenia podczas transportu i przechowywania.
- Przymocować bezpiecznie produkt podczas transportu.

### Usuwanie akumulatora, ładowarki i produktu

Symbole znajdujące się na produkcie oraz na opakowaniu informują o tym, że produkt nie jest zwykłym odpadem domowym. Należy poddawać go recyklingowi w punkcie zbiórki sprzętu elektrycznego i elektronicznego. Pomaga to chronić środowisko i ludzi.

Skontaktować się z lokalnymi władzami, przedsiębiorstwem gospodarki komunalnej lub dealerem w celu uzyskania szczegółowych informacji dotyczących recyklingu.

## Dane techniczne

### Dane techniczne

	<b>325iL</b>
<b>Silnik</b>	
Typ silnika	BLDC (bezszcotkowy) 36 V
Obroty wałka zdawczego, 1/min.	5800
Szerokość koszenia, mm	420
<b>Waga</b>	
Waga bez akumulatora i osprzętu tnącego, kg	3,0
<b>Poziom hałasu</b> <sup>55</sup>	
Zmierzony poziom mocy akustycznej, dB(A)	93
Poziom głośności, gwarantowana moc akustyczna L <sub>WA</sub> dB(A)	96
<b>Poziomy głośności</b> <sup>56</sup>	
Równoważny poziom ciśnienia akustycznego przy uchu operatora, mierzony zgodnie z normą ISO 22868, w dB (A):	
W zestawie głowica żyłkowa (oryginalna)	84
<b>Poziomy drgań</b> <sup>57</sup>	
Poziomy drgań uchwytów mierzone zgodnie z normą ISO 22867, m/s <sup>2</sup>	
Z głowicą żyłkową (oryginalną), przód/tył, m/s <sup>2</sup>	4,3/2,9

### Zatwierdzone akumulatory

<b>Akumulator</b>	<b>BLI 200</b>
Typ	Litowo jonowy
Pojemność akumulatora, Ah	5,2
Napięcie znamionowe, V	36

<sup>55</sup> Emisję hałasu do otoczenia zmierzono jako moc akustyczną (LWA), zgodnie z dyrektywą Rady 2000/14/WE. Odnotowany poziom ciśnienia akustycznego produktu został zmierzony z oryginalnym osprzętem tnącym, który generuje najwyższy poziom hałasu. Różnica pomiędzy gwarantowanym a zmierzonym poziomem ciśnienia akustycznego wynika z tego, że poziom gwarantowany zawiera także rozproszenie w wynikach pomiaru oraz różnice pomiędzy różnymi typami maszyn tego samego modelu zgodnie z Dyrektywą 2000/14/WE.

<sup>56</sup> Odnotowane dane dotyczące poziomu ciśnienia akustycznego urządzenia wykazują typowe rozproszenie statystyczne (odchylenie standardowe) w wysokości 3 dB(A) i zostały zmierzone z oryginalnym osprzętem, który daje najwyższy poziom.

<sup>57</sup> Odnotowane dane dla poziomu wibracji mają typowe rozproszenie statystyczne (odchylenie standardowe) w wysokości 2 m/s<sup>2</sup>. Do porównywania poziomu drgań, akumulatorów i produktów spalania służy kalkulator drgań. <https://www.husqvarna.com/uk/services-solutions/vibration-calculator/>

<b>Akumulator</b>	<b>BLI 200</b>
Waga, kg (funty)	1,3 (2,9)

### Zatwierdzone ładowarki

<b>Ładowarka</b>	<b>QC330</b>
Napięcie wejściowe, V	100-240
Częstotliwość, Hz	50-60
Moc, W	330

---

## Akcesoria

---

### Akcesoria

Zatwierdzone akcesoria	Typ akcesorium	Ośłona osprzętu tnącego, nr art.
Otwór środkowy ostrzy/noży, Ø 25,4 mm		
Gwint wałka do nasadzania ostrzy M10		
Głowica żyłkowa	T35 (żyłka Whisper, maks. Ø 2,4 mm)	597 01 62-02

# Deklaracja zgodności

## Deklaracja zgodności UE

Firma **Husqvarna AB**, SE-561 82 Huskvarna,  
Szwecja, tel.: +46-36-146500, deklarujemy z pełną  
odpowiedzialnością, że produkt:

<b>Opis</b>	Akumulatorowa podkaszarka do trawy
<b>Marka</b>	Husqvarna
<b>Typ/model</b>	325iL
<b>Identyfikacja</b>	Numery seryjne z roku 2023 i nowsze

spełnia wszystkie wymogi określone w odpowiednich  
dyrektywach i przepisach UE:

Dyrektywa/przepis	Opis
2006/42/WE	„w sprawie maszyn”
2014/30/EMC	„dotycząca zgodności elektromagnetycznej”
2011/65/UE	„w sprawie ograniczenia stosowania niektórych niebezpiecznych substancji”
2000/14/WE	„w sprawie emisji hałasu”

oraz został zaprojektowany zgodnie z następującymi  
normami i specyfikacjami technicznymi: EN  
62841-1:2015/AC:2015, EN 62841-4-4 (IEC  
62841-4-4:2020), EN 61000-6-1:2007 (Immunity), EN  
61000-6-3:2007/A1:2011/AC:2012 (Emission).



Instytut RISE SMP Svensk Maskinprovning AB, Box  
4053, SE-904 03 Umeå, Sweden przeprowadził  
dobrowolne badanie typu zgodnie z załącznikiem IX do  
dyrektywy 2006/42/WE. Nr certyfikatu: SEC/23/2579.

Zgodność z załącznikiem VI dyrektywy Rady  
2000/14/WE została zweryfikowana także przez Notified  
body: 0404, RISE SMP Svensk Maskinprovning AB, Box  
4053, SE-904 03 Umeå, Sweden.

Informacje dotyczące emisji hałasu, patrz *Dane  
techniczne na stronie 294.*

Huskvarna, 2022-12-01

Stefan Holmberg, Dyrektor ds. badań i rozwoju,  
Zarządzanie technologią, Husqvarna AB

Osoba odpowiedzialna za dokumentację techniczną



---

# ÍNDICE

---

Introdução.....	297	Transporte, armazenamento e eliminação.....	309
Segurança.....	298	Especificações técnicas.....	309
Montagem.....	305	Acessórios.....	311
Funcionamento.....	306	Declaração de conformidade.....	312
Manutenção.....	307	Anexo .....	447
Resolução de problemas.....	308		

---

## Introdução

---

### Descrição do produto

O Husqvarna 325iL é um aparador de relva a bateria com motor elétrico.

Decorre um trabalho constante para aumentar a sua segurança e eficiência durante o funcionamento. Para mais informações, contacte o revendedor com assistência técnica.

### Finalidade

Utilize o produto com uma cabeça do aparador para cortar diferentes tipos de vegetação. Não utilize o

produto para outras tarefas que não aparar e desbastar relva.

**Nota:** A utilização pode estar sujeita a regulamentos nacionais ou locais. Respeite os regulamentos estabelecidos.

Utilize apenas o produto com acessórios aprovados pelo fabricante. Consulte o capítulo *Acessórios na página 311*.

### Vista geral do produto

(Fig. 1)

1. Manual do utilizador
2. Engrenagem cônica
3. Orifício para pino de bloqueio
4. Cabeça do aparador
5. Proteção do acessório de corte
6. Acionador
7. Chave combinada
8. Punho fechado
9. Botão
10. Eixo
11. Pino de bloqueio
12. Indicador de aviso LED
13. Botão Start/Stop
14. Botão do modo de velocidade
15. Bloqueio do interruptor de alimentação
16. Interface do utilizador
17. Interruptor de alimentação
18. Cabo do carregador de bateria
19. Carregador de bateria
20. LED de aviso e alimentação
21. Botões de desengate da bateria
22. Bateria
23. Indicador LED do estado de carga
24. LED de aviso
25. Botão indicador da bateria

### Símbolos no produto

(Fig. 2) **AVISO!** Este produto pode ser perigoso! O uso indevido ou incorreto poderá provocar ferimentos graves ou até mesmo a morte do utilizador ou de outras pessoas. É extremamente importante que leia e compreenda o conteúdo do manual do utilizador. Leia atentamente as instruções do manual do utilizador e certifique-se de que compreende o seu conteúdo antes de utilizar o produto.

(Fig. 3) Utilize protetores acústicos aprovados. Utilize proteção ocular aprovada.

(Fig. 4) Velocidade máxima ou velocidade sem carga.

XXXX /min  
ou min<sup>-1</sup> | Rotações ou movimentos alternativos por minuto.

(Fig. 5) Tensão nominal, V

(Fig. 6) Corrente contínua.

(Fig. 7) O produto está em conformidade com as diretivas CE aplicáveis.

- (Fig. 8) Este produto está em conformidade com os regulamentos aplicáveis do Reino Unido.
- (Fig. 9) Utilize luvas de proteção aprovadas.
- (Fig. 10) Use botas antiderrapantes resistentes.
- (Fig. 11) Utilize apenas acessórios de corte flexíveis não metálicos.
- (Fig. 12) Este símbolo no produto ou na respetiva embalagem indica que o produto não deve ser tratado como residuo doméstico comum. Este produto deve ser depositado numa instalação de reciclagem adequada.
- (Fig. 13) O acessório pode arremessar violentamente objetos que podem fazer ricochete. Isso pode levar a graves lesões

- nos olhos no caso do equipamento de segurança recomendado não ser usado.
- (Fig. 14) Desligue a bateria antes da manutenção.
- (Fig. 15) O produto possui proteção contra salpicos de água.
- (Fig. 16) Mantenha todas as partes do seu corpo afastadas das superfícies quentes.
- (Fig. 17) Emissão de ruído para a etiqueta ambiental de acordo com as diretivas e regulamentos da União Europeia e do Reino Unido e o regulamento "Protection of the Environment Operations (Noise Control) Regulation 2017" (regulamento de proteção de operações no meio ambiente [controlo do ruído] de 2017) da Nova Gales do Sul. O nível de potência sonora garantido do produto está especificado nas *Especificações técnicas na página 309.*

aaaassxxxx

A etiqueta de tipo apresenta o número de série. **aaaa** é o ano de fabrico, **ss** é a semana de fabrico e **xxxx** é o número sequencial.

(Fig. 18)

O utilizador tem de se certificar de que as pessoas e os animais não se aproximam a menos de 15 metros. Se trabalharem vários utilizadores simultaneamente na mesma área, deve existir uma distância de segurança de, pelo menos, 15 metros.

**Nota:** Os restantes símbolos/autocolantes existentes no produto dizem respeito a exigências para homologação em outras áreas comerciais.

## Danos no produto

Não somos responsáveis por danos no nosso produto se:

- o produto tiver sido incorretamente reparado.
- o produto tiver sido reparado com peças que não sejam do fabricante ou que não sejam aprovadas pelo fabricante.
- o produto tiver um acessório que não seja do fabricante ou que não seja aprovado pelo fabricante.
- o produto não tiver sido reparado por um centro de assistência autorizado ou por uma autoridade aprovada.

# Segurança

## Definições de segurança

Os avisos, as precauções e as notas são utilizados para indicar partes especialmente importantes do manual.



**ATENÇÃO:** Utilizado no caso de existir risco de ferimento ou morte para o utilizador ou transeuntes, se não forem respeitadas as instruções do manual.



**CUIDADO:** Utilizado se existir risco de danos para o produto, para outros materiais

ou para a área adjacente, se não forem respeitadas as instruções do manual.

**Nota:** Utilizado para disponibilizar informações adicionais necessárias numa determinada situação.

## Avisos gerais de segurança da ferramenta elétrica



**ATENÇÃO:** Leia todos os avisos de segurança, as instruções, as ilustrações e as especificações fornecidos com esta ferramenta elétrica. O incumprimento das

instruções indicadas abaixo poderá resultar em choques elétricos, incêndios e/ou ferimentos graves.

- **Guarde todos os avisos e instruções para referência futura.** O termo "ferramenta elétrica" nos avisos refere-se à sua ferramenta elétrica com ligação à corrente (com cabo) ou ferramenta elétrica com bateria (sem cabo).

## Segurança no local de trabalho

- **Mantenha a área de trabalho limpa e bem iluminada.** Áreas desarrumadas ou escuras convidam ao acidente.
- **Não maneje ferramentas elétricas em ambientes explosivos, tal como na presença de líquidos inflamáveis, gases ou poeiras.** As ferramentas elétricas criam faíscas que podem poeiras ou gases.
- **Mantenha as crianças e restantes pessoas afastadas enquanto maneja uma ferramenta elétrica.** As distrações podem fazê-lo perder o controlo.

## Segurança no manejo de eletricidade

- **As fichas das ferramentas elétricas têm de corresponder à tomada elétrica.** Nunca modifique a ficha de qualquer forma. Não utilize quaisquer fichas adaptadoras com ferramentas elétricas ligadas à terra. As fichas inalteradas e as tomadas correspondentes reduzem o risco de choque elétrico.
- **Evite o contacto corporal com superfícies ligadas à terra, tais como tubos, radiadores, fogões e frigoríficos.** Existe um risco acrescido de choque elétrico se o seu corpo estiver em contacto com a terra.
- **Não exponha ferramentas elétricas a chuva ou condições de elevada humidade.** A entrada de água numa ferramenta elétrica aumenta o risco de choque elétrico.
- **Não danifique o fio elétrico.** Nunca utilize o cabo elétrico para transportar, puxar ou desligar a ferramenta elétrica da tomada. Mantenha o cabo elétrico afastado de fontes de calor, óleo, arestas afiadas ou de peças em movimento. Os fios elétricos danificados ou emaranhados aumentam o risco de choque elétrico.
- **Ao operar uma ferramenta elétrica no exterior, utilize um cabo de extensão adequado para utilização em exteriores.** A utilização de um cabo elétrico adequado para utilização no exterior reduz o risco de choque elétrico.
- **Se não puder evitar operar uma ferramenta elétrica em locais húmidos, utilize uma fonte de alimentação com corta-circuito com um dispositivo de corrente residual (RDC).** A utilização de um dispositivo de corrente residual (RCD) reduz o risco de choque elétrico.

## Segurança pessoal

- **Mantenha-se alerta, tenha atenção ao que está a fazer e use o bom senso ao operar uma ferramenta elétrica.** Não utilize uma ferramenta elétrica se estiver cansado ou sob a influência de drogas, álcool ou medicação. Um momento de desatenção durante o manejo de ferramentas elétricas pode resultar em lesões pessoais graves.
- **Use equipamento de proteção pessoal. Use sempre proteção ocular.** A utilização de equipamento de proteção como máscara antipoeira, calçado de segurança antiderrapante, capacete ou protetores acústicos nas condições apropriadas irá reduzir os ferimentos pessoais.
- **Prevenção de arranque não intencional. Certifique-se de que o interruptor se encontra desligada antes de ligar a ferramenta à fonte de alimentação e/ou à bateria, ou de a pegar ou transportar.** Transportar ferramentas elétricas com o dedo no interruptor ou ligar ferramentas elétricas à corrente elétrica com o interruptor ligado é um convite aos acidentes.
- **Remova qualquer chave de ajuste ou chave de porcas antes de ligar a ferramenta à corrente elétrica.** Uma chave de porcas ou uma chave ligada a uma peça em rotação da ferramenta elétrica pode resultar em lesões pessoais.
- **Não se debruce.** Mantenha o equilíbrio e os pés sempre bem assentes. Isto permite um melhor controlo da ferramenta elétrica em situações inesperadas.
- **Vista-se adequadamente.** Não use peças de roupa soltas ou jóias. Mantenha o cabelo e roupas longe de quaisquer peças em movimento. Roupas soltas, jóias ou cabelo comprido podem ser apanhados nas peças em movimento.
- **Se forem fornecidos dispositivos para a ligação de equipamentos de extração e de recolha de poeiras, assegure-se de que estes estão ligados e são utilizados corretamente.** A utilização da recolha de poeiras pode reduzir os riscos relacionados com poeiras.
- **Siga sempre os princípios de segurança das ferramentas, mesmo que já esteja familiarizado com as mesmas devido a utilização frequente.** Uma ação descuidada pode provocar ferimentos graves numa fração de segundo.

## Utilização e manutenção de ferramentas elétricas

- **Não force a ferramenta elétrica. Use a ferramenta elétrica correcta para a sua aplicação.** A ferramenta elétrica correcta fará um trabalho melhor e mais seguro ao ritmo para o qual foi desenhada.
- **Não use a ferramenta elétrica se o interruptor não ligar ou desligar.** Qualquer ferramenta elétrica que não possa ser controlada com o interruptor é perigosa e tem de ser reparada.
- **Desligue a ficha da fonte de alimentação elétrica e/ou retire a bateria, se amovível, da ferramenta**

**elétrica antes de efetuar qualquer ajuste, mudar acessórios ou guardar ferramentas elétricas.** Estas medidas de prevenção reduzem o risco de ligar a ferramenta eléctrica acidentalmente.

- **Guarde ferramentas eléctricas que não estão na ser utilizadas fora do alcance das crianças e não permita que qualquer pessoa não familiarizada com a ferramenta eléctrica ou com as suas instruções maneje a ferramenta eléctrica.** As ferramentas eléctricas são perigosas nas mãos de utilizadores inexperientes.
- **Efetue a manutenção das ferramentas eléctricas e dos acessórios. Verifique quanto a desalinhamentos ou bloqueio de peças móveis, danos de peças e qualquer outra condição que possa afectar o funcionamento da ferramenta eléctrica. Se estiver danificada, repare a ferramenta eléctrica antes de a usar.** Muitos acidentes são causados por ferramentas eléctricas com má manutenção.
- **Mantenha as ferramentas de corte afiadas e limpas.** Ferramentas de corte com as zonas de corte afiadas e bem mantidas têm menos probabilidades de bloquear e são mais fáceis de controlar.
- **Use a ferramenta eléctrica, acessórios e brocas, etc. de acordo com estas instruções, tomando em consideração as condições de funcionamento e o trabalho a ser executado.** A utilização da ferramenta eléctrica para operações diferentes das previstas pode resultar numa situação perigosa.
- **Mantenha os punhos e as superfícies onde se segura secos, limpos e sem óleo nem massa lubrificante.** As superfícies onde se segura e os punhos escurecidos não permitem um controlo e um manuseamento seguros do produto em situações inesperadas.

### Utilização e manutenção da bateria

- **Recarregue a bateria apenas com o carregador especificado pelo fabricante.** Um carregador adequado para um tipo de bateria pode criar risco de incêndio quando usado com outra bateria.
- **Utilize as ferramentas eléctricas apenas com as baterias concebidas para as mesmas.** A utilização de quaisquer outras baterias pode criar risco de ferimentos e incêndio.
- **Quando a bateria não está a ser utilizada, mantenha-a afastada de outros objetos metálicos, como clips, moedas, chaves, pregos, parafusos ou outros objetos metálicos pequenos que possam fazer a ligação entre os dois terminais.** Provocar curto-circuitos nos terminais das baterias pode provocar queimaduras ou um incêndio.
- **Em condições extremas, é possível que o líquido da bateria verta; evite o contacto. Se ocorrer algum contacto accidental, lave com água. Se o líquido entrar em contacto com os olhos, procure assistência médica adicional.** O líquido vertido da bateria pode provocar irritações ou queimaduras.
- **Não utilize uma bateria ou uma ferramenta que se encontre danificada ou modificada.** As baterias

danificadas ou modificadas podem apresentar um comportamento imprevisível que pode resultar em incêndios, explosões ou ferimentos graves.

- **Não exponha uma bateria ou uma ferramenta a fogo ou temperaturas excessivas.** A exposição a fogo ou a temperaturas acima de 130 °C/266 °F pode provocar uma explosão.
- **Siga todas as instruções de carregamento e não carregue a bateria ou a ferramenta fora do intervalo de temperatura especificado nas instruções.** Os carregamentos impróprios ou a temperaturas fora do intervalo especificado podem danificar a bateria e aumentar o risco de incêndio.

### Assistência

- **Garanta que a manutenção da sua ferramenta eléctrica é efetuada por um técnico de reparações qualificado e que utilize apenas peças de substituição idênticas.** Isto irá assegurar que a segurança das ferramentas eléctricas é mantida.
- **Nunca deve efetuar a manutenção de baterias danificadas.** A manutenção das baterias deve ser efetuada apenas pelo fabricante ou por prestadores de serviços autorizados.

### Avisos de segurança relativos ao aparador de relva, à roçadora e à serra para silvado

- **Não utilize a máquina em más condições climatéricas, principalmente quando existir risco de ocorrência de relâmpagos.** Isto diminui o risco de ser atingido por relâmpagos.
- **Inspeccione cuidadosamente a área quanto à existência de vida selvagem no local onde a máquina será utilizada.** A vida selvagem pode ser ferida pela máquina durante o funcionamento.
- **Inspeccione minuciosamente a área onde a máquina será utilizada e retire todas as pedras, paus, fios, ossos e outros objetos estranhos.** Os objetos projetados podem causar ferimentos pessoais.
- **Antes de utilizar a máquina, efetue sempre uma inspeção visual para verificar se existem danos na roçadora, na lâmina ou no conjunto de roçadora e lâmina.** As peças danificadas aumentam o risco de ferimentos.
- **Siga as instruções de substituição de acessórios.** As porcas ou parafusos de fixação da lâmina que se encontrem apertados de forma inadequada podem danificar a lâmina ou resultar na sua libertação.
- **A velocidade de rotação nominal da roçadora deve ser, pelo menos, igual à velocidade de rotação máxima marcada na máquina.** As roçadoras que funcionam mais depressa do que as respetivas velocidades de rotação nominal podem quebrar e soltar-se.
- **Use proteções para os olhos, ouvidos, cabeça e mãos.** A utilização de equipamento de proteção adequado irá reduzir o risco de ferimentos pessoais provocados por detritos arremessados ou por contacto accidental com a linha ou lâmina de corte.

- **Durante o funcionamento da máquina, utilize sempre calçado antiderrapante de proteção. Não opere a máquina se estiver descalço ou com sandálias abertas.** Isto reduz a possibilidade de ferimentos nos pés devido ao contacto com uma roçadora, linha ou lâmina em movimento.
- **Durante a utilização da máquina, use sempre calças compridas.** A pele exposta aumenta a probabilidade de ferimentos causados por objetos projetados.
- **Mantenha as pessoas afastadas durante o funcionamento da máquina.** A projeção de detritos pode causar ferimentos pessoais graves.
- **Utilize sempre ambas as mãos quando estiver a trabalhar com a máquina.** Segure a máquina com ambas as mãos para evitar perder o controlo.
- **Segure a máquina apenas pelas superfícies de agarrar isoladas, uma vez que a linha ou lâmina de corte pode entrar em contacto com fios elétricos ocultos.** O contacto da linha ou lâmina de corte com um fio com tensão pode energizar as peças metálicas expostas da máquina e, por conseguinte, provocar um choque elétrico no utilizador.
- **Mantenha sempre uma colocação dos pés adequada e utilize a máquina apenas quando se encontrar sobre o solo.** As superfícies escorregadias ou instáveis podem causar uma perda de equilíbrio ou do controlo da máquina.
- **Não utilize a máquina em declives excessivamente íngremes.** Isto reduz o risco de perda de controlo, escorregamento e queda, que pode resultar em ferimentos pessoais.
- **Ao trabalhar em declives, certifique-se sempre da colocação dos pés, trabalhe sempre ao longo da face dos declives, nunca para cima ou para baixo, e tenha muito cuidado ao mudar de direção.** Isto reduz o risco de perda de controlo, escorregamento e queda, que pode resultar em ferimentos pessoais.
- **Mantenha todas as partes do corpo afastadas da roçadora, linha ou lâmina quando a máquina se encontrar em funcionamento. Antes de ligar a máquina, certifique-se de que a roçadora, linha ou lâmina não estão em contacto com qualquer objeto.** Um momento de desatenção durante a utilização da máquina pode resultar em ferimentos em si ou em terceiros.
- **Não opere a máquina acima da altura da cintura.** Isto ajuda a evitar o contacto acidental da roçadora ou lâmina com objetos e proporciona um melhor controlo da máquina em situações inesperadas.
- **Ao cortar silvado ou árvores jovens que se encontrem sob tensão, tenha cuidado para que estes não sejam arremessados contra si.** Quando a tensão nas fibras da madeira é libertada, o silvado ou as árvores jovens podem ser arremessados contra o utilizador e/ou descontrolar a máquina.
- **Tenha muito cuidado ao cortar silvado e árvores jovens.** Os materiais finos podem ficar presos na lâmina e ser projetados na sua direção ou fazer com que perca o equilíbrio.
- **Mantenha o controlo da máquina e não toque em roçadoras, linhas ou lâminas e outras peças móveis perigosas enquanto estas ainda se encontrarem em movimento.** Isto reduz o risco de ferimentos provocados por peças móveis.
- **Quando estiver a retirar material encravado ou a realizar a manutenção da máquina, certifique-se de que todos os interruptores estão desligados assim como o fio de alimentação.** A ativação inesperada da máquina enquanto é efetuada a remoção de material encravado ou a manutenção pode resultar em ferimentos pessoais graves.
- **Transporte a máquina desligada e afastada do seu corpo.** O manuseamento adequado da máquina irá reduzir a probabilidade de contacto acidental com uma roçadora, linha ou lâmina em movimento.
- **Quando transportar ou armazenar a máquina, coloque sempre a respetiva tampa nas lâminas metálicas.** O manuseamento adequado da máquina irá reduzir a probabilidade de contacto acidental com a lâmina.
- **Utilize apenas roçadoras, linhas, cabeças de corte e lâminas de substituição especificadas pelo fabricante.** As peças de substituição incorretas podem aumentar o risco de quebra e ferimentos.

## Outras informações gerais de segurança

- Antes de se deslocar para outra área, desative o produto. Retire sempre a bateria quando passar o produto a outra pessoa.
- Nunca pouse o produto sem o ter desativado e retirado a bateria. Não deixe o produto sem supervisão quando este estiver ligado.
- A ferramenta de corte não para imediatamente após o produto ter sido desligado.
- Antes de utilizar o produto e após um impacto, verifique se existem sinais de desgaste ou danos e proceda à respetiva reparação, conforme necessário.
- Se o acessório de corte ficar encravado durante o funcionamento do produto, pare-o e desative-o. Certifique-se de que o acessório de corte para completamente. Retire a bateria antes de limpar, inspecionar ou reparar o produto e/ou o equipamento de corte.
- Verifique o produto antes de o utilizar. Consulte *Dispositivos de segurança no produto na página 303* e *Manutenção na página 307*. Não utilize um produto danificado. Efetue as verificações de segurança e cumpra as instruções de manutenção e assistência técnica descritas neste manual.
- Um acessório de corte com defeito pode aumentar o risco de acidentes.
- Verifique a engrenagem quanto à existência de sujidade e fissuras. Retire a relva e as folhas da engrenagem com uma escova. Deve-se usar luvas quando necessário.
- Certifique-se sempre de que os orifícios de ventilação não se encontram obstruídos por detritos.

- Certifique-se de que a cabeça do aparador se encontra totalmente ligada ao aparador.
- Todas as coberturas, proteções e punhos têm de estar montados antes da colocação da máquina em funcionamento.
- Verifique se o produto está em perfeitas condições de funcionamento. Certifique-se de que todas as porcas e os parafusos estão bem apertados.
- Verifique se a cabeça do aparador e a proteção do aparador não apresentam danos e fissuras. Substitua a cabeça do aparador ou a proteção do aparador se tiverem sido sujeitas a impactos ou se apresentarem fissuras. Utilize sempre a proteção recomendada para o acessório de corte específico. Consulte *Acessórios na página 311*.
- Se o utilizador não for cuidadoso ou se o produto for utilizado de forma incorreta, este produto é uma ferramenta perigosa. Este produto pode provocar ferimentos graves ou a morte do utilizador ou terceiros.
- Esta ferramenta não pode ser utilizada por pessoas (incluindo crianças) com capacidades físicas, sensoriais ou mentais reduzidas, ou falta de experiência e conhecimentos, exceto se sob vigilância ou depois de terem recebido instruções acerca do uso da mesma por parte de alguém responsável pela sua segurança. As crianças devem ser vigiadas para garantir que não brincam com a ferramenta.
- Nunca permita que uma criança utilize a máquina ou se encontre na proximidade da mesma. Uma vez que a máquina se liga facilmente, as crianças podem conseguir ligá-la se não forem vigiadas em permanência. Isto pode implicar um risco de ferimentos graves. Por isso, desligue a bateria quando a máquina não estiver sob vigilância.
- Não permita em circunstância alguma que uma criança ou outras pessoas que não saibam utilizar o produto e/ou a bateria o utilizem ou realizem operações de manutenção.
- Armazene o equipamento numa área que possa ser trancada, de modo a mantê-lo fora do alcance de crianças e pessoas não autorizadas.
- Mantenha as mãos e os pés sempre afastados da área de corte, especialmente quando ligar o motor.
- Mantenha as mãos e os pés afastados do acessório de corte até que este pare completamente quando o produto é desativado.
- Não retire nem deixe que outras pessoas retirem o material cortado com o produto ativo ou com o equipamento de corte em rotação, pois tal poderá resultar em ferimentos graves.
- Esteja consciente de que é você, enquanto operador, o responsável por evitar expor pessoas e bens a situações que possam representar perigo de danos pessoais ou materiais.
- Não é permitido modificar, em circunstância alguma, a configuração original do produto sem a autorização expressa do fabricante. Utilize sempre acessórios originais. A realização de modificações e/ou a utilização de acessórios não autorizados podem provocar ferimentos pessoais graves ou perigo de vida para o utilizador ou terceiros. A garantia pode não abranger responsabilidades ou danos provocados pela utilização de peças de substituição ou acessórios não autorizados.
- Os únicos acessórios que pode utilizar com este produto são os acessórios de corte recomendados no capítulo *Acessórios*. Consulte *Acessórios na página 311*.
- Nunca utilize um produto cujas especificações originais tenham sido alteradas.
- Nunca utilize um produto defeituoso. Efetue as verificações de segurança e cumpra as instruções de manutenção e assistência técnica contidas neste manual. Alguns serviços de manutenção e de assistência técnica têm de ser executados por especialistas formados e qualificados. Consulte as instruções na secção *Manutenção*.
- Trabalhar em más condições meteorológicas é cansativo e muitas vezes traz riscos acrescidos. Devido ao risco acrescido, não se recomenda a utilização da máquina em condições meteorológicas adversas, por exemplo, nevoeiro denso, chuva intensa, ventos fortes, frio intenso ou risco de trovoadas, etc.
- Nunca trabalhe de uma escada, banco ou qualquer outra posição elevada, que não seja completamente segura.
- Armazene ferramentas inativas no interior – quando não estão a ser utilizadas, as ferramentas devem ser armazenadas no interior
- Não é possível cobrir todas as situações possíveis que poderá enfrentar. Seja sempre cuidadoso e use o senso comum. Evite todas as situações que considere estarem para além das suas capacidades. Caso se sinta inseguro acerca dos procedimentos de operação depois de ler estas instruções, consulte um perito antes de prosseguir.
- Certifique-se de que não existem pessoas ou animais a uma distância inferior a 15 metros enquanto trabalha. Sempre que trabalhem vários utilizadores em simultâneo na mesma área, a distância de segurança deve ser, no mínimo, de 15 metros. Caso contrário, existe um risco de ferimentos graves. Pare imediatamente o produto se alguém se aproximar. Nunca balance o produto à sua volta sem verificar se está alguém na zona de segurança.
- Certifique-se de que não existem pessoas, animais ou outras coisas que possam afetar o seu controlo do produto, ou que estes não entrem em contacto com o acessório de corte ou objetos soltos que possam ser projetados pelo acessório de corte. Contudo, não utilize o produto num local em que não seja possível pedir ajuda em caso de acidente.
- Certifique-se de que pode andar e estar de pé com segurança. Tenha cuidado com eventuais obstáculos (raízes, pedras, ramos, valas, etc.) em

caso de deslocamento inesperado. Tenha muito cuidado ao trabalhar em terreno inclinado.

- Caminhe, nunca corra.
- Inspeção a área de trabalho. Remova todos os objetos soltos, como pedras, vidros partidos, pregos, arame, cordas, etc., que possam ser arremessados ou enredar-se na cortadora ou na respetiva proteção.
- Durante a operação de corte, tome cuidado com galhos que possam ser projetados. Não efetue cortes demasiado junto ao solo onde existam pedras e outros objetos que possam ser projetados.
- Certifique-se de que o vestuário ou partes do corpo não entram em contacto com o acessório de corte quando o produto está ativo. Mantenha o produto abaixo do nível da cintura.
- Atenção a objetos arremessados. Utilize sempre proteção ocular aprovada. Nunca se incline sobre a proteção do acessório de corte. Pedras, lixo, etc., podem ser arremessados contra os olhos, o que pode causar cegueira ou ferimentos graves.
- Quando estiver a utilizar protetores acústicos, esteja atento a sinais de aviso ou gritos. Retire sempre os protetores acústicos assim que o produto parar.
- Se ocorrerem quaisquer vibrações inesperadas, faça sair fio novo para que o fio tenha o comprimento correto para parar as vibrações.
- Se o produto começar a vibrar de forma anormal, pare-o e remova a bateria.
- A sobreexposição a vibrações pode levar a lesões arteriais ou nervosas em pessoas com má circulação sanguínea. Consulte um médico em caso de sintomas relacionados com a sobreexposição a vibrações. Alguns desses sintomas são entorpecimento, perda de sensibilidade, formigamento, pontadas, dor, perda de força, alterações na cor ou condição da pele. Estes sintomas surgem normalmente nos dedos, nas mãos ou nos pulsos.
- Segure sempre o produto com as duas mãos. Mantenha o produto do lado direito do seu corpo.

## Equipamento de proteção pessoal



**ATENÇÃO:** Leia as instruções de aviso que se seguem antes de utilizar o produto.

- Utilize sempre equipamento de proteção pessoal aprovado ao utilizar o produto. O equipamento de proteção pessoal não previne totalmente os ferimentos mas diminui a respetiva gravidade em caso de acidente. Obtenha ajuda junto do seu concessionário para seleccionar o equipamento certo.
- Utilize um capacete de proteção caso exista o risco de objetos em queda.
- Utilize protetores acústicos aprovados com suficiente insonorização. A exposição prolongada a ruídos pode provocar danos auditivos permanentes.

- Utilize proteção ocular aprovada. Mesmo com viseira, é necessário utilizar óculos de proteção aprovados. É necessário que os óculos de proteção aprovados estejam em conformidade com a norma ANSI Z87.1 nos EUA ou a norma EN 166 nos países da UE.

• Utilize uma viseira para proteger o rosto. Uma viseira não é suficiente para proteger os olhos. (Fig. 19)

- Use luvas sempre que necessário, por exemplo, ao fixar, examinar ou limpar o acessório de corte.
- Use botas estáveis e antidesslizantes.
- Utilize vestuário fabricado com um tecido resistente. Utilize sempre calças e mangas compridas grossas. Não utilize vestuário largo que possa ficar preso em galhos e ramos. Não utilize joias, calções, nem emendas de sandálias ou descalço. Coloque o seu cabelo acima dos ombros para maior segurança.

(Fig. 20)

- Mantenha equipamentos de primeiros socorros sempre à mão.

(Fig. 21)

## Dispositivos de segurança no produto



**ATENÇÃO:** Leia as instruções de aviso que se seguem antes de utilizar o produto.

Nesta secção, descrevem-se as características de segurança do produto, a sua função e ainda a forma de efetuar a verificação e manutenção para garantir o funcionamento correto do mesmo. Consulte as instruções na secção *Introdução na página 297* para conhecer a localização destas peças no seu produto.

Se a manutenção do produto não for devidamente efetuada, e se a assistência e/ou as reparações não forem realizadas por profissionais, a vida útil do produto pode ser afetada e o risco de acidentes pode aumentar. Para obter mais informações, contacte o seu distribuidor local.



**ATENÇÃO:** Nunca utilize um produto com componentes de segurança danificados. O equipamento de segurança do produto tem de ser inspecionado e a sua manutenção feita conforme se descreve nesta secção. Se o produto falhar alguma destas verificações, entre em contacto com uma oficina autorizada para a sua reparação.



**CUIDADO:** Todos os trabalhos de manutenção e reparação da máquina requerem formação especializada. Isto aplica-se especialmente ao equipamento de segurança da máquina. Se a máquina falhar alguma das verificações que se seguem,

é necessário contactar a sua oficina autorizada. A compra de qualquer um dos nossos produtos garante-lhe a obtenção de reparação e assistência profissionais. Se o local da compra da máquina não for um dos nossos distribuidores com assistência técnica, solicite a morada do agente de assistência mais próximo.

na página 311. Caso esteja montada uma proteção do equipamento de corte incorreta ou defeituosa, tal pode causar ferimentos pessoais graves.

A proteção do equipamento de corte protege o operador dos objetos que são projetados na sua direção. Também evita ferimentos que ocorrem se tocar no acessório de corte.

1. Pare o produto e retire a bateria.
2. Efetue uma inspeção visual para verificar se existem danos, como por exemplo fissuras. (Fig. 26)
3. Substitua a proteção do equipamento de corte, caso esteja danificada.

## Cabeçote de recorte

- Utilize sempre a cabeça do aparador e os acessórios de corte corretos e utilize sempre a linha do aparador recomendada. Consulte *Acessórios na página 311* e a montagem no final do manual.
- Certifique-se de que a lâmina da proteção do aparador não está danificada.
- Certifique-se de que a linha do aparador é enrolada firme e uniformemente à volta do tambor, para evitar a ocorrência de vibrações involuntárias do produto. Diferentes comprimentos do cabo podem provocar vibrações desnecessárias. Bata levemente na cabeça do aparador para obter o comprimento do cabo correto.

Para aumentar a vida útil do cabo, este pode ser colocado em água durante 2 ou mais dias antes da montagem. Isto tornará o cabo mais resistente.

## Instruções de segurança para montagem



**ATENÇÃO:** Leia, compreenda e siga atentamente estas instruções antes de utilizar o produto.

- Retire a bateria do produto antes de o montar.
- Utilize luvas de proteção aprovadas.
- Uma proteção que esteja danificada ou não funcione corretamente pode causar ferimentos. Não utilize um acessório de corte que não tenha uma proteção aprovada.
- Certifique-se de que instala corretamente a cobertura e o eixo antes de ligar o produto.
- O acionador e o flange de apoio têm de encaixar corretamente no orifício central do acessório de corte. Um acessório de corte ligado incorretamente pode causar ferimentos ou morte.
- Se for fornecida uma correia com o acessório, esta tem de ser corretamente fixada ao produto. A correia torna a operação segura e evita ferimentos no utilizador ou em terceiros.

## Verificar a interface do utilizador

1. Mantenha premido o botão Start/Stop (A).
  - a) O produto está ligado quando o visor (B) se acender. (Fig. 22)
  - b) O produto está desligado quando o visor se apagar.
2. Se o indicador de aviso no visor se acender ou ficar intermitente, consulte *Interface do utilizador na página 308*.

## Verificar o bloqueio do interruptor de alimentação

O bloqueio do interruptor de alimentação foi concebido para evitar a respetiva ativação involuntária. Se pressionar o bloqueio do interruptor de alimentação para a frente (A) e, em seguida, premir o bloqueio do interruptor de alimentação contra o punho (B), o interruptor de alimentação (C) é solto. Quando solta o punho, o interruptor de alimentação e o respetivo bloqueio regressam às respetivas posições originais. Este movimento é ativado por três sistemas de molas independentes entre si. (Fig. 23)

1. Certifique-se de que o interruptor de alimentação está bloqueado quando o bloqueio do interruptor de alimentação se encontra na respetiva posição original. (Fig. 24)
2. Prima o interruptor de alimentação e certifique-se que este retorna à posição original quando é libertado. (Fig. 25)
3. Certifique-se de que o interruptor de alimentação e o respetivo bloqueio se deslocam livremente e que a mola de retorno funciona corretamente.
4. Inicie o produto; consulte *Arrancar o produto na página 306*.
5. Aplique a velocidade máxima.
6. Solte o interruptor de alimentação e certifique-se de que o funcionamento do acessório de corte é interrompido e de que este permanece parado.

## Verificar a proteção do acessório de corte



**ATENÇÃO:** Não utilize um acessório de corte sem uma proteção para o acessório de corte aprovada e corretamente instalada. Utilize sempre a proteção do equipamento de corte recomendada para o equipamento de corte que utilizar; consulte *Acessórios*



## Instruções de segurança para manutenção



**ATENÇÃO:** Leia as instruções de aviso que se seguem antes de efetuar tarefas de manutenção no produto.

- Retire a bateria antes de efetuar tarefas de manutenção, outras verificações, ou de montar o produto.
- O operador só pode efetuar as tarefas de manutenção e assistência descritas neste manual do utilizador. Contacte o seu revendedor com assistência técnica para tarefas de manutenção e assistência de maior extensão.

- Não limpe a bateria ou o carregador com água. Os detergentes fortes podem danificar o plástico.
- Se não proceder à manutenção, irá diminuir o ciclo de vida do produto e aumentar o risco de acidentes.
- É necessária formação especializada para todos os trabalhos de assistência e reparação, especialmente para os dispositivos de segurança do produto. Se, após efetuar tarefas de manutenção, nem todas as verificações deste manual forem aprovadas, contacte o seu revendedor com assistência técnica. Garantimos que existem reparações e assistência profissionais disponíveis para o seu produto.
- Utilize sempre peças sobresselentes originais.
- Utilize sempre luvas resistentes durante trabalhos de reparação do equipamento de corte. As lâminas são muito afiadas e podem causar facilmente cortes.

## Montagem

### Montar o punho fechado

1. Fixe o punho fechado ao eixo entre as setas. Não coloque o punho fechado ou o anel de suspensão na etiqueta. (Fig. 27)
2. Introduza o espaçador na ranhura do punho fechado.
3. Fixe a porca, o botão e o parafuso, mas não aperte.
4. Ajuste o produto para que fique numa posição confortável.
5. Aperte o parafuso.

### Para montar o equipamento de corte

O equipamento de corte inclui um equipamento de corte e uma proteção para o equipamento de corte.



**ATENÇÃO:** Utilize luvas de protecção.



**ATENÇÃO:** Utilize sempre a proteção do equipamento de corte recomendada para o equipamento de corte em causa. Consulte o capítulo *Especificações técnicas na página 309*.



**ATENÇÃO:** Um equipamento de corte instalado incorretamente pode resultar em ferimentos ou morte.

### Fixar a proteção do acessório de corte

1. Fixe a proteção do acessório de corte (A) no gancho no suporte da placa (B). (Fig. 28)
2. Instale a proteção do acessório de corte no eixo e aperte-a com o parafuso (C).

### Retirar a proteção do acessório de corte

- Desaperte o parafuso (C) e retire a proteção do acessório de corte (A) do eixo. (Fig. 29)

### Montagem de cabeças do aparador



**ATENÇÃO:** Ao instalar o acessório de corte, é de extrema importância que a secção elevada do acionador/flange de apoio encaixe corretamente no orifício central do acessório de corte. Se não instalar corretamente o acessório de corte, poderá originar ferimentos pessoais graves e/ou fatais.



**ATENÇÃO:** Nunca utilize um acessório de corte sem que esteja montada uma proteção aprovada. Consulte *Acessórios na página 311*. Caso esteja montada uma proteção incorreta ou defeituosa, tal pode causar ferimentos pessoais graves.

### Fixar a cabeça do aparador

1. Coloque o acionador (B) no eixo de saída.
2. Rode o eixo de saída até alinhar um dos orifícios do acionador com o orifício correspondente na caixa de engrenagem.
3. Coloque o pino de bloqueio (C) no orifício para bloquear o eixo.
4. Rode a cabeça do aparador (H) para a esquerda para a fixar. (Fig. 30)

### Retirar a cabeça do aparador

1. Coloque o pino de bloqueio (C) no orifício para bloquear o eixo.
2. Rode a cabeça do aparador (H) para a direita para a retirar.

3. Retire o acionador (B) do eixo de saída. (Fig. 30)

---

## Funcionamento

---

### Introdução



**ATENÇÃO:** Certifique-se de que lê e compreende o capítulo sobre segurança antes de usar o produto.

### Para encaixar a bateria no produto



**ATENÇÃO:** Utilize apenas baterias Husqvarna originais no produto.

1. Certifique-se de que a bateria está completamente carregada.
2. Empurre a bateria para o suporte da bateria do produto. A bateria bloqueia na posição pretendida quando se ouve um clique. (Fig. 31)



**CUIDADO:** Se a bateria não se mover com facilidade no suporte da bateria, significa que não está instalada corretamente. Caso contrário, pode causar danos no produto.

3. Certifique-se de que a bateria está instalada corretamente.

### Posições de trabalho

- Segure o produto com as 2 mãos.
- Mantenha o produto do lado direito do seu corpo.
- Tenha o equipamento de corte abaixo do nível da cintura.
- Mantenha o corpo afastado das superfícies quentes.
- Mantenha o corpo afastado do equipamento de corte.

### Antes de utilizar o produto

- Examine a área de trabalho para se certificar de que conhece o tipo de terreno, o declive do solo e a existência de obstáculos como pedras, ramos e valas.
- Efetue uma inspeção de revisão do produto.
- Efetue as inspeções de segurança, manutenção e assistência fornecidas neste manual.
- Certifique-se de que todas as coberturas, proteções, punhos e equipamento de corte estão devidamente instalados e não estão danificados.
- Examine o flange de apoio quanto à existência de fissuras. Substitua o flange de apoio, caso esteja danificado.

(Fig. 32)

- Examine a cabeça do aparador e a proteção do acessório de corte quanto a danos ou fissuras. Substitua a cabeça do aparador e a proteção do acessório de corte, caso tenham sido atingidos ou se tiverem fissuras.

(Fig. 33)

### Arrancar o produto

1. Prima e mantenha premido o botão Start até o LED verde se acender. (Fig. 34)
2. Utilize o interruptor de alimentação para controlar a velocidade.

### Limitar a velocidade máxima com o botão de modo

O produto possui um botão de modo. Através do botão de modo, o utilizador pode limitar a velocidade máxima. O botão de modo tem 3 níveis de velocidade. Um nível inferior aumenta o tempo de funcionamento do produto. Utilize os níveis 1 e 2 se o funcionamento não requerer a velocidade/potência máxima. Se a condição de funcionamento exigir a velocidade máxima/potência máxima, utilize o nível 3. Não utilize um nível superior ao necessário para a utilização.

1. Prima o botão de modo para definir um limite para a velocidade máxima. Os LED brancos acendem-se para indicar que a função está ativa. (Fig. 35)
2. Prima novamente o botão de modo para selecionar o nível de velocidade seguinte.

### Função de desativação automática

O produto está equipado com uma função de desativação que desliga o produto, caso não esteja a ser utilizado.

### Corte de relva com um cabeçote de recorte

#### Aparar a relva

1. Mantenha a cabeça do aparador um pouco acima do solo a um determinado ângulo. (Fig. 36) Não empurre a linha do aparador de relva para a relva.
2. Utilize 80% da velocidade quando cortar relva perto de objetos. (Fig. 37)

#### Cortar a relva

1. Certifique-se de que a linha do aparador de relva está paralela ao solo quando cortar. (Fig. 38)
2. Não empurre a cabeça do aparador para o solo. O solo e o produto podem ser danificados.

3. Não deixe a cabeça do aparador tocar no solo continuamente; pode causar danos à cabeça do aparador.
4. Utilize a velocidade máxima quando deslocar o produto de um lado para o outro para cortar a relva. (Fig. 39) Certifique-se de que a linha do aparador de relva está paralela ao solo.

### Para aparar a relva

O fluxo de ar do cabo do aparador rotativo pode ser utilizado para remover a relva cortada de uma área.

1. Mantenha a cabeça do aparador e respetivo cabo paralelos ao solo e acima do solo.
2. Aplique a velocidade máxima.
3. Mova a cabeça do aparador de um lado para o outro e apare a relva.



**ATENÇÃO:** Limpe a cobertura da cabeça do aparador sempre que instalar um novo cabo para evitar desequilíbrios e vibrações nos punhos. Efetue também uma verificação das outras peças da cabeça do aparador e limpe-as, se necessário.

### Parar o produto

1. Solte o interruptor de alimentação ou o bloqueio do interruptor de alimentação.
2. Prima o botão Stop. (Fig. 34)
3. Prima os botões de desengate da bateria e puxe a bateria para fora. (Fig. 40)

## Manutenção

### Introdução



**ATENÇÃO:** Antes de efetuar qualquer tarefa de manutenção, tem de ler e compreender o capítulo sobre segurança.



### Esquema de manutenção

**ATENÇÃO:** Retire a bateria antes de iniciar qualquer tarefa de manutenção.

A seguinte lista de tarefas de manutenção tem de ser realizada no produto.

Manutenção	Diariamente	Semanalmente	Mensalmente
Limpe as peças externas do produto com um pano seco. Não utilize água.	X		
Verifique se o botão Start e Stop funciona corretamente e não está danificado.	X		
Certifique-se de que o interruptor de alimentação e o bloqueio do interruptor de alimentação funcionam corretamente e com segurança.	X		
Certifique-se de que todos os controlos funcionam e não estão danificados.	X		
Mantenha os punhos secos, limpos e sem óleo nem massa lubrificante.	X		
Certifique-se de que o acessório de corte não está danificado. Substitua o acessório de corte, caso esteja danificado.	X		
Certifique-se de que a proteção do acessório de corte ou a lâmina não está danificada. Substitua a proteção do acessório de corte ou a lâmina, caso esteja danificada.	X		
Certifique-se de que os parafusos e as porcas estão apertados.	X		
Certifique-se de que os botões de desengate da bateria funcionam e fixam a bateria no produto.	X		
Certifique-se de que a bateria não está danificada.	X		
Certifique-se de que a bateria está carregada.	X		
Certifique-se de que o carregador de bateria não está danificado e que funciona corretamente.	X		

Manutenção	Diariamente	Semanalmente	Mensalmente
Examine todos os cabos, acoplamentos e ligações. Certifique-se de que não estão danificados e que estão limpos.		X	
Certifique-se de que a engrenagem cônica está corretamente cheia de massa lubrificante; consulte <i>Lubrificar a engrenagem cônica na página 308</i> . Caso contrário, utilize massa lubrificante Husqvarna para engrenagens cônicas.		X	
Verifique as ligações entre a bateria e o produto. Verifique a ligação entre a bateria e o carregador de bateria.			X

## Limpar o produto, a bateria e o carregador da bateria

1. Limpe o produto com um pano seco após a utilização.
2. Limpe a bateria e o carregador da bateria com um pano seco. Mantenha as calhas de guia da bateria limpas.
3. Certifique-se de que os terminais da bateria e do carregador da bateria se encontram limpos antes de colocar a bateria no carregador da bateria ou no produto.

## Lubrificar a engrenagem cônica

1. Retire o equipamento de corte.
2. Coloque o produto com o tampão para massa lubrificante na posição mais elevada.

3. Retire o tampão para massa lubrificante. (Fig. 41)
4. Examine através do orifício do tampão para massa lubrificante e rode o eixo motriz. O nível de massa lubrificante (A) tem de estar ao nível da parte superior das engrenagens (B). (Fig. 42)
5. Se o nível de massa lubrificante for demasiado baixo, encha a engrenagem cônica com massa lubrificante Husqvarna para engrenagens cônicas. Encha lentamente e rode o eixo motriz à medida que aplica massa lubrificante para engrenagens cônicas; pare quando atingir o nível correto (B).



**CUIDADO:** Uma quantidade incorreta de massa lubrificante pode provocar danos na engrenagem cônica.

6. Instale o tampão para massa lubrificante.

## Resolução de problemas

### Interface do utilizador

Problema	Falhas possíveis	Ação possível
O indicador LED da bateria fica laranja intermitente	Tensão da bateria baixa.	Carregue a bateria.
O LED de erro fica vermelho intermitente	Sobrecarga.	O acessório de corte está encravado. Pare o produto. Remova a bateria. Limpe o acessório de corte de materiais indesejados.
	Desvio de temperatura.	Deixe o produto arrefecer.
	O interruptor de alimentação e o botão de ativação devem ser premidos ao mesmo tempo.	Solte o interruptor de alimentação para que o produto esteja ativo.
O produto não liga	Sujidade nos conetores da bateria.	Limpe os conetores da bateria com ar comprimido ou um pincel macio.
O LED de erro está aceso com luz vermelha	O produto precisa de manutenção.	Contacte a sua oficina de assistência técnica.

---

## Transporte, armazenamento e eliminação

---

### Transporte e armazenamento

- As baterias de íões de lítio fornecidas cumprem os requisitos da legislação sobre mercadorias perigosas.
  - Cumpra o requisito especial sobre a embalagem e as etiquetas de transporte comercial, incluindo por terceiros e agentes transitários.
  - Contacte uma pessoa com formação específica em material perigoso antes de enviar o produto. Cumpra todos os regulamentos nacionais aplicáveis.
  - Utilize fita em contactos abertos quando colocar a bateria numa embalagem. Coloque a bateria na embalagem de forma fixa para impedir movimentos.
  - Retire sempre a bateria para armazenamento ou transporte.
  - Coloque a bateria e o carregador da bateria num espaço seco e sem humidade ou gelo.
  - Não armazene a bateria numa área onde possa haver eletricidade estática. Não armazene a bateria numa caixa metálica.
  - Coloque a bateria num local onde a temperatura varie entre 5 °C/41 °F e 25 °C/77 °F e esteja afastado da exposição à luz solar.
  - Coloque o carregador da bateria num local onde a temperatura varie entre 5 °C/41 °F e 45 °C/113 °F e esteja afastado da exposição à luz solar.
  - Utilize o carregador da bateria apenas quando a temperatura ambiente se encontrar entre os 5 °C/41 °F e os 40 °C/104 °F.
- Carregue a bateria entre 30% a 50% antes de a armazenar durante longos períodos de tempo.
  - Armazene o carregador da bateria num espaço fechado e seco.
  - Mantenha a bateria afastada do carregador da bateria durante o armazenamento. Não permita que crianças e outras pessoas não autorizadas entrem em contacto com o equipamento. Mantenha o equipamento num espaço que possa trancar.
  - Antes de armazenar o produto durante longos períodos de tempo, limpe-o e efetue uma manutenção completa do mesmo.
  - Utilize a proteção para transporte no produto para evitar ferimentos ou danos no produto durante o transporte e o armazenamento.
  - Fixe o produto em segurança durante o transporte.

### Eliminação da bateria, do carregador da bateria e do produto

Os símbolos no produto ou na respetiva embalagem indicam que o produto não é resíduo doméstico. Recicle o equipamento numa estação de reciclagem para equipamentos elétricos e eletrónicos. Isto ajuda a evitar danos no ambiente e em pessoas.

Contacte as autoridades locais, o serviço de recolha de resíduos domésticos ou o seu concessionário para obter mais informações sobre como reciclar o seu produto.

---

## Especificações técnicas

---

### Especificações técnicas

	<b>325IL</b>
<b>Motor</b>	
Tipo de motor	BLDC (sem escovas) 36 V
Velocidade do eixo de saída, rpm	5800
Largura de corte, mm	420
<b>Peso</b>	
Peso sem bateria e sem acessório de corte, kg	3,0

	<b>325iL</b>
<b>Emissões de ruído</b> <sup>58</sup>	
Nível de potência sonora, medido dB (A)	93
Nível de potência sonora, garantido L <sub>WA</sub> dB (A)	96
<b>Níveis sonoros</b> <sup>59</sup>	
Nível de pressão sonora equivalente, ao nível do ouvido do operador, medido de acordo com a norma ISO 22868, dB (A):	
Equipado com cabeçote de recorte (original)	84
<b>Níveis de vibração</b> <sup>60</sup>	
Níveis de vibração nos punhos, medidos de acordo com a norma ISO 22867, m/s <sup>2</sup>	
Equipado com cabeça do aparador (original), dianteira/traseira, m/s <sup>2</sup>	4,3/2,9

## Baterias aprovadas

<b>Bateria</b>	<b>BLI 200</b>
Tipo	lões de lítio
Capacidade da bateria, Ah	5,2
Tensão nominal, V	36
Peso, kg (lb)	1,3 (2,9)

## Carregadores da bateria aprovados

<b>Carregador da bateria</b>	<b>QC330</b>
Tensão de entrada, V	100-240
Frequência, Hz	50-60
Potência, W	330

<sup>58</sup> Emissões de ruído para as imediações, medidas sob forma de potência sonora (LWA) em conformidade com a diretiva da CE 2000/14/CE. O nível de potência sonora registado para a máquina foi medido com o equipamento de corte original que debita o nível mais alto. A diferença entre a potência sonora garantida e medida é que a potência sonora garantida inclui também a dispersão no resultado da medição e as variações entre diferentes máquinas do mesmo modelo, de acordo com a diretiva 2000/14/CE.

<sup>59</sup> Os dados comunicados relativamente ao nível de pressão sonora para a máquina têm uma dispersão estatística típica (desvio padrão) de 3 dB(A) e foram medidos com o acessório original que debita o nível mais alto.

<sup>60</sup> Os dados comunicados relativamente ao nível de vibração têm uma dispersão estatística típica (desvio padrão) de 2 m/s<sup>2</sup>. Para comparar os níveis de vibrações de produtos a bateria e de combustão, utilize a calculadora de vibrações. <https://www.husqvarna.com/pt/servicos-solucoes/calculadora-vibracoes/>.

---

## Acessórios

---

### Acessórios

Acessórios aprovados	Tipo de acessório	Proteção para acessório de corte, art. n.º
Orifício central nas lâminas/facas, Ø 25,4 mm		
Passo de rosca do veio da lâmina M10		
Cabeça do aparador	T35 (rolo de linha do aparador Whisper, máximo Ø 2,4 mm)	597 01 62-02

# Declaração de conformidade

## Declaração UE de conformidade

A Husqvarna AB, SE-561 82 Huskvarna, Suécia, tel.: +46-36-146500, declara, sob sua inteira responsabilidade, que o produto:

<b>Descrição</b>	Aparador de relva a bateria
<b>Marca</b>	Husqvarna
<b>Tipo / Modelo</b>	325iL
<b>Identificação</b>	Números de série referentes a 2023 e posteriores

está em plena conformidade com as seguintes diretivas e regulamentos da UE:

<b>Diretiva/Regulamento</b>	<b>Descrição</b>
2006/42/CE	"relativa a máquinas"
2014/30/UE	"relativa à compatibilidade eletromagnética"
2011/65/UE	"relativa à restrição de substâncias perigosas"
2000/14/CE	"relativa ao ruído exterior"

e que as seguintes normas e/ou especificações técnicas são aplicadas: EN 62841-1:2015/AC:2015, EN 62841-4-4 (IEC 62841-4-4:2020), EN 61000-6-1:2007 (Immunity), EN 61000-6-3:2007/A1:2011/AC:2012 (Emission).



A RISE SMP Svensk Maskinprovning AB, Box 4053, SE-904 03 Umeå, Sweden efetuou um exame de tipo voluntário, de acordo com o anexo IX da Diretiva 2006/42/CE. N.º de certificado: SEC/23/2579.

A Notified body: 0404, RISE SMP Svensk Maskinprovning AB, Box 4053, SE-904 03 Umeå, Sweden também verificou a conformidade com o anexo VI da Diretiva do Conselho 2000/14/CE.

Para mais informações sobre as emissões de ruído, consulte *Especificações técnicas na página 309*.

Huskvarna, 2022-12-01

Stefan Holmberg, diretor de I&D, gestão de tecnologia, Husqvarna AB

Responsável pela documentação técnica



---

# CUPRINS

---

Introducere.....	313	Transportul, depozitarea și eliminarea.....	324
Siguranță.....	314	Date tehnice.....	325
Asamblarea.....	321	Accesorii.....	326
Funcționarea.....	321	Declarație de conformitate.....	327
Întreținerea.....	323	Anexă .....	447
Depanarea.....	324		

---

## Introducere

---

### Descrierea produsului

Husqvarna 325iL este un trimmer pentru iarbă cu baterie, cu un motor electric.

Se depun eforturi constant pentru a vă spori siguranța și eficiența în timpul funcționării. Adresați-vă reprezentantului de service pentru informații suplimentare.

### Domeniul de utilizare

Utilizați produsul cu un cap de tuns pentru a tăia diferite tipuri de vegetație. Nu utilizați produsul pentru alte activități decât tunsul gazonului și curățarea ierbii.

### Prezentare generală a produsului

(Fig. 1)

1. Manual de utilizare
2. Angrenaj conic
3. Orificiu pentru siguranță
4. Cap de tuns
5. Apărătoarea accesoriului de tăiere
6. Disc de antrenare
7. Cheie combinată
8. Mâner semicircular
9. Buton
10. Arbore
11. Siguranță
12. Indicator de avertisment cu LED
13. Buton de pornire/oprire
14. Buton pentru modul de viteză
15. Mecanism de blocare întrerupător
16. Interfață utilizator
17. Întrerupător
18. Fir de încărcător baterie
19. Încărcător de baterii
20. LED de indicare alimentare și de avertisment
21. Butoane de eliberare a bateriei
22. Baterie
23. Indicator cu LED pentru starea încărcării
24. LED de avertisment
25. Buton indicator baterie

**Nota:** Utilizarea poate fi reglementată de norme naționale sau locale. Respectați reglementările aplicabile.

---

Utilizați produsul numai cu accesoriile furnizate de producător. Consultați *Accesorii la pagina 326*.

### Simbolurile de pe produs

(Fig. 2) **AVERTISMENT!** Acest produs poate fi periculos! Utilizarea neatență sau incorectă poate duce la vătămări corporale grave sau mortale pentru operator sau alte persoane. Este extrem de important să citiți și să înțelegeți conținutul acestui manual de utilizare. Citiți cu atenție manualul de utilizare și asigurați-vă că înțelegeți instrucțiunile înainte ca produsul să fie utilizat.

(Fig. 3) Utilizați un sistem omologat de protecție a auzului. Utilizați ochelari de protecție omologați.

(Fig. 4) Viteză maximă sau viteză fără sarcină.

XXXX /min  
sau min<sup>-1</sup> | Rotații sau mișcări alternative pe minut.

(Fig. 5) Tensiune nominală, V

(Fig. 6) Curent continuu.

(Fig. 7) Produsul respectă directivele CE aplicabile.

(Fig. 8) Acest produs este în conformitate cu reglementările aplicabile din Regatul Unit.

(Fig. 9) Utilizați mănuși de protecție omologate.

(Fig. 10) Utilizați ghete pentru regim greu de lucru, rezistente la alunecare.

(Fig. 11) Utilizați numai accesorii de tăiere flexibile nemetalice.

(Fig. 12) Simbolurile de pe produs sau de pe ambalaj arată că acest produs nu poate fi tratat ca deșeu menajer. Acest produs trebuie trimis la o unitate de reciclare adecvată.

(Fig. 13) Accesorii poate azvârlă cu forță obiecte care pot ricoșa înapoi. Dacă nu se utilizează echipamentul de siguranță

aaaassxxxx

(Fig. 18)

recomandat, acest lucru poate duce la vătămări oculare grave.

(Fig. 14) Deconectați bateria înainte de a efectua lucrări de întreținere.

(Fig. 15) Produsul este protejat împotriva stropilor de apă.

(Fig. 16) Feriți-vă toate părțile corpului de suprafețele fierbinți.

(Fig. 17) Etichetă privind emisiile de zgomot în mediu, conform directivelor și reglementărilor din UE și Regatul Unit și legislației din New South Wales „Regulamentul privind măsurile de protecție a mediului (controlul zgomotului) din 2017”. Nivelul de putere sonoră garantat al produsului este specificat în *Date tehnice la pagina 325*.

Plăcuța de identificare indică numărul de serie. **aaaa** este anul fabricației, **ss** este săptămâna fabricației, iar **xxxxx** este numărul de ordine.

Operatorul trebuie să se asigure că nicio persoană și niciun animal nu se apropie la mai mult de 15 metri. Când mai mulți operatori lucrează în același punct de lucru, trebuie să se aplice o distanță de siguranță de cel puțin 15 metri.

**Nota:** Alte simboluri/autocolante de pe produs se referă la cerințele de certificare pentru alte zone comerciale.

## Deteriorarea produsului

Nu suntem responsabili pentru deteriorarea produsului dacă:

- produsul este reparat necorespunzător.
- produsul este reparat cu piese care nu provin de la producător sau care nu sunt aprobate de acesta.
- produsul are un accesoriu care nu provine de la producător sau care nu este aprobat de acesta.
- produsul nu este reparat la un centru de service omologat sau de o autoritate omologată.

## Siguranță

### Definiții privind siguranța

Avertismentele, atenționările și notele sunt utilizate pentru a desemna părți foarte importante din manual.



**AVERTISMENT:** Se utilizează dacă există risc de vătămare sau de deces pentru operator sau pentru trecători, în cazul în care instrucțiunile din manual nu sunt respectate.



**ATENȚIE:** Se utilizează dacă există un risc de deteriorare a produsului, a altor materiale sau a zonelor învecinate, dacă instrucțiunile din manual nu sunt respectate.

**Nota:** Se utilizează pentru a furniza mai multe informații care sunt necesare într-o situație dată.

### Avertismente generale privind siguranța uneltelor electrice



**AVERTISMENT:** Citiți toate avertismentele, instrucțiunile, ilustrațiile și specificațiile de siguranță furnizate cu această unealtă electrică. Nerespectarea instrucțiunilor enumerate mai jos poate avea ca rezultat electrocutare, incendii și/sau vătămări corporale grave.

- **Păstrați toate avertismentele și instrucțiunile pentru consultare ulterioară.** Termenul „unealtă electrică”

folosit în avertismente se referă la unealta electrică (cu cablu) acționată de la rețeaua de alimentare sau la unealta electrică (fără cablu) acționată de baterii.

## Siguranța zonei de lucru

- **Păstrați zona de lucru curată și bine iluminată.** Zonele dezordonate sau întunecoase provoacă accidente.
- **Nu acționați uneltele electrice în atmosfere explozive, cum ar fi prezența lichidelor, a gazelor sau a prafului inflamabil.** Uneltele electrice produc scânteii care pot aprinde praful sau aburii.
- **Țineți la distanță copiii și alte persoane în timpul acționării unei unelte electrice.** Distragerea atenției poate cauza pierderea controlului.

## Siguranța privind echipamentele electrice

- **Ștecherile uneltei electrice trebuie să corespundă prizei. Nu modificați niciodată ștecherul.** Nu utilizați nicio fișă de conectare a adaptorului cu unelte electrice cu împământare (legate la masă). Ștecherile nemodificate și prizele potrivite reduc riscul de șoc electric.
- **Evitați contactul cu corpul a suprafețelor de împământare sau legate la masă, cum ar fi țevi, radiatoare, plite și răcitoare.** Există un pericol sporit de electrocutare dacă împământarea sau legarea la masă se face prin corpul dvs.
- **Nu expuneți uneltele electrice la ploaie sau la condiții de umezeală.** Apa care pătrunde într-o unealtă electrică va spori pericolul de electrocutare.
- **Nu folosiți cablul în mod abuziv. Nu utilizați niciodată cablul la transportarea, tragerea sau deconectarea uneltei electrice.** Țineți cablul departe de căldură, ulei, muchii ascuțite sau piese în mișcare. Cablurile avariate sau încălțite sporesc pericolul de electrocutare.
- **Când acționați o unealtă electrică în exterior, utilizați un cordon de racord potrivit pentru utilizarea în exterior.** Folosirea unui cablu adecvat pentru utilizarea la exterior reduce riscul de șoc electric.
- **Dacă funcționarea unei unelte electrice într-o locație cu umiditate mare nu poate fi evitată, utilizați o sursă cu dispozitiv de protecție împotriva curentului rezidual (RCD).** Folosirea unui întrerupător de curent rezidual reduce pericolul de electrocutare.

## Siguranța personală

- **Fiți atent la ceea ce faceți și operați unealta electrică în baza simțului practic.** Nu utilizați o unealtă electrică când sunteți obosit sau sub influența drogurilor, a alcoolului sau a medicamentelor. Un moment de neatenție în timpul acționării uneltelor electrice poate duce la răniri grave.
- **Utilizați echipamentul personal de protecție. Purtați întotdeauna ochelari de protecție.** Echipamentele de protecție, cum ar fi masca împotriva prafului, încălțăminte de protecție antiderapantă, casca sau protecția pentru auz utilizate în condiții

corespunzătoare, vor reduce riscul de vătămări corporale.

- **Evitați pornirea accidentală. Verificați dacă comutatorul este în poziția OPRIT înainte de conectarea la o sursă de alimentare și/sau la baterii, înainte de ridicarea sau transportarea uneltei.** Transportarea uneltelor electrice având degetul poziționat pe comutator sau activarea uneltelor electrice care au comutatorul pornit pot provoca accidente.
- **Îndepărtați toate cheile de reglare sau cheile fixe înainte de pornirea uneltei electrice.** O cheie fixă sau o cheie rămasă atașată la o piesă rotativă a uneltei electrice poate duce la răniri.
- **Nu vă întindeți prea mult. Păstrați mereu o postură și un echilibru corespuzătoare.** Aceasta lucru permite un control mai bun al uneltei electrice în situații neașteptate.
- **Îmbrăcați-vă corespuzător. Nu purtați haine largi sau bijuterii. Țineți părul și îmbrăcămintea la distanță de piesele în mișcare.** Hainele largi, bijuteriile sau părul lung pot fi prinse în piesele în mișcare.
- **Dacă dispozitivele sunt dotate cu racorduri la instalații de extragere și colectare a prafului, asigurați-vă că acestea sunt conectate și utilizate corespuzător.** Colectarea prafului poate reduce pericolele provocate de acesta.
- **Nu vă încredeți în familiaritatea dobândită din utilizarea frecventă a uneltelor; prin urmare, nu ignorați principiile de siguranță ale uneltelor.** O acțiune neglijentă poate duce la vătămări corporale grave într-o fracțiune de secundă.

## Utilizarea și întreținerea uneltei electrice

- **Nu forțați unealta electrică. Utilizați unealta electrică potrivită pentru aplicația dvs.** Unealta electrică potrivită va efectua lucrarea mai rapid și în condiții de siguranță mai bune la viteza de lucru pentru care a fost proiectată.
- **Nu utilizați unealta electrică în cazul în care nu poate fi pornită sau oprită de la comutator.** Orice unealtă electrică imposibil de controlat cu ajutorul comutatorului este periculoasă și trebuie reparată.
- **Deconectați ștecherul de la sursa de alimentare și/sau scoateți acumulatorul uneltei electrice, dacă este detașabil, înainte de a face reglaje, de a schimba accesoriile sau de a depozita unelte electrice.** Astfel de măsuri preventive de siguranță reduc riscul pornirii accidentale a uneltei electrice.
- **Nu lăsați uneltele electrice nefolosite la îndemâna copiilor și nu permiteți persoanelor care nu sunt familiarizate cu unealta electrică sau cu aceste instrucțiuni să o acționeze.** Uneltele electrice sunt periculoase în mâinile utilizatorilor neinstruiți.
- **Mențineți uneltele electrice și accesoriile acestora. Verificați centrarea sau legarea incorectă a pieselor în mișcare, ruperea pieselor și orice alte stări care pot afecta funcționarea uneltei electrice. Dacă este avariată, duceți unealta electrică la reparat înainte**

**de a o utiliza.** Multe accidente sunt provocate de uneltele electrice prost întreținute.

- **Păstrați uneltele de tăiere ascuțite și curate.** Este mai puțin probabil ca uneltele de tăiere cu tăișuri ascuțite întreținute corespunzător să se blocheze și sunt mai ușor de controlat.
- **Utilizați unealta electrică, accesoriile și piesele din unelaltă, etc. în conformitate cu aceste instrucțiuni, luând în considerare și condițiile de lucru și activitatea care urmează să fie efectuată.** Utilizarea uneltelor electrice pentru operații diferite de cele pentru care sunt destinate poate duce la apariția de situații periculoase.
- **Mențineți mânerele și suprafețele de prindere uscate, curate, fără ulei și unsoare.** Mânerele și suprafețele de prindere alunecoase nu permit manipularea și controlul în siguranță al unelei în situații neprevăzute.

## Utilizarea și întreținerea unelei cu baterie

- **Reîncărcați numai cu încărcătorul specificat de producător.** Un încărcător adecvat pentru un tip de baterie poate constitui pericol de incendiu atunci când este utilizat cu un alt tip de baterie.
- **Utilizați uneltele electrice numai cu bateriile special indicate.** Utilizarea unui alt tip de acumulatori poate constitui pericol de vătămări corporale și de incendii.
- **Când acumulatorul nu este utilizat, păstrați-l departe de alte obiecte metalice, precum agrafe de birou, monede, chei, cuie, șuruburi sau alte obiecte mici de metal, care pot crea o conexiune între borne.** Scurtcircuitarea bornelor bateriei poate cauza arsuri sau incendii.
- **În condiții de utilizare neadecvată, din baterie pot ieși stropi de lichid; evitați contactul.** Totuși, dacă intrați accidental în contact cu lichidul respectiv, spălați cu apă. Dacă lichidul intră în contact cu ochii, consultați un medic. Lichidul care se scurge din baterie poate cauza iritații sau arsuri.
- **Nu utilizați acumulatori sau unelte deteriorate sau modificate.** Bateriile deteriorate sau modificate pot prezenta un comportament imprevizibil, care poate duce la incendii, explozii sau pericol de vătămări corporale.
- **Nu expuneți acumulatorii sau uneltele la flăcări sau temperaturi excesive.** Expunerea la flăcări sau la temperaturi de peste 130°C/266°F poate cauza explozii.
- **Urmați toate instrucțiunile de încărcare și nu încărcați acumulatorul sau unelalta în afara intervalului de temperatură specificat în instrucțiuni.** Încărcarea incorectă sau la temperaturi în afara intervalului specificat poate duce la deteriorarea bateriei și crește pericolul de incendiu.

## Service

- **Cereți ca unelalta dvs. electrică să fie reparată numai de un tehnician de reparații calificat, care să folosească numai piese de schimb identice.**

Acest lucru va asigura păstrarea siguranței unelei electrice.

- **Nu reparați niciodată acumulatori deteriorați.** Repararea acumulatorilor trebuie efectuată numai de către producător sau de către furnizorii de servicii autorizați.

## Avertismente de siguranță pentru trimmere de iarbă și motocoase

- **Nu utilizați mașina în condiții de vreme nefavorabilă, mai ales când există risc de descărcări electrice.** Aceasta reduce riscul de a fi lovit de trăsnet.
- **Verificați temeinic zona în care urmează a fi utilizată mașina, pentru a vedea dacă nu există animale sălbatice.** Animalele sălbatice ar putea fi rănite de mașină în timp ce este în funcțiune.
- **Verificați temeinic zona unde urmează a fi utilizată mașina și înlăturați toate pietrele, bețele, cablurile, oasele și alte obiecte străine.** Obiectele proiectate pot provoca vătămări corporale.
- **Înainte de a folosi mașina, întotdeauna verificați vizual dacă cuțitul sau lama și ansamblul de tăiere nu sunt deteriorate.** Componentele deteriorate sporesc riscul de vătămare corporală.
- **Respectați instrucțiunile pentru înlocuirea accesoriilor.** Șuruburile sau piulițele insuficient strânse care fixează lama pot deteriora lama sau o pot face să se desprindă.
- **Viteza nominală de rotire a cuțitului trebuie să fie cel puțin egală cu viteza maximă specificată pe mașină.** Cuțitele care funcționează la o viteză mai mare decât cea nominală se pot rupe sau desprinde.
- **Purtați protecție pentru ochi, urechi, cap și mâini.** Echipamentul de protecție adecvat reduce vătămările corporale provocate de resturile expulzate sau de contactul accidental cu firul sau lama.
- **În timp ce folosiți mașina, purtați mereu încălțăminte antiderapantă de protecție. Nu operați aparatul în picioarele goale sau purtând sandale deschise.** Astfel reduceți riscul de rănire a picioarelor în eventualitatea contactului cu cuțitul, firul sau lama aflată în mișcare.
- **Când folosiți mașina, purtați întotdeauna pantaloni lungi.** Pielea expusă crește probabilitatea rănirii de către obiectele proiectate.
- **Țineți trecătorii la distanță în timp ce folosiți mașina.** Resturile proiectate pot duce la vătămări corporale grave.
- **Folosiți întotdeauna ambele mâini când folosiți utilajul.** Țineți utilajul cu ambele mâini, pentru a evita pierderea controlului.
- **Țineți utilajul de suprafețele de prindere izolate, deoarece cuțitul poate atinge cabluri ascunse.** Firele sau cuțitele care intră în contact cu un cablu sub tensiune pot alimenta electric părțile metalice expuse ale utilajului și pot electrocuta utilizatorul.
- **Mențineți întotdeauna contactul cu solul și folosiți utilajul numai cu picioarele pe sol.** Suprafețele

- alunecoase sau instabile pot cauza pierderea echilibrului sau a controlului utilajului.
- **Nu folosiți mașina pe pante prea înclinate.** Astfel scade riscul de a pierde controlul, de a aluneca sau de a cădea, care pot duce la vătămări corporale.
  - **Când lucrați pe pante, asigurați-vă întotdeauna că aveți o poziție stabilă.** Lucrați mereu orizontal pe suprafața pantei, niciodată în sus și în jos și aveți foarte mare grijă când schimbați direcția. Astfel scade riscul de a pierde controlul, de a aluneca sau de a cădea, care pot duce la vătămări corporale.
  - **Mențineți toate părțile corpului departe de lamă, fir sau cuțit când utilajul se află în funcțiune.** Înainte de pornirea utilajului, asigurați-vă că lama, firul sau cuțitul nu intră în contact cu niciun obiect. Un moment de neatenție în timpul folosirii utilajului poate cauza rănirea proprie sau a altor persoane.
  - **Nu folosiți mașina deasupra înălțimii taliei.** În acest mod se previne contactul neintenționat cu cuțitul sau lama și se controlează mai bine mașina în situații neașteptate.
  - **Când tăiați o creangă întinsă sau puieti de arbori, fiți atenți la recul.** Când tensiunea din fibrele de lemn este eliberată, creanga sau puietul aflate sub tensiune elastică pot lovi operatorul și/sau pot face ca utilajul să se miște necontrolat.
  - **Fiți extrem de atent când tăiați tufișuri și puieti.** Materialul subțire se poate prinde și poate fi proiectat către dvs. sau vă poate dezechilibra.
  - **Mențineți controlul utilajului și nu atingeți cuțitele, firele sau lamele și alte piese periculoase aflate în mișcare, cât timp sunt în mișcare.** Astfel reduceți riscul de vătămări corporale produse de componentele în mișcare.
  - **Când desprindeți materialul blocat sau curățați utilajul, asigurați-vă că toate întrerupătoarele sunt oprite și cablul de alimentare este scos din priză.** Acționarea accidentală a utilajului în timpul îndepărtării materialului blocat sau lucrărilor de service poate cauza vătămări corporale grave.
  - **Transportați mașina oprită și depărtată de corpul dvs.** Manevrarea adecvată a mașinii va reduce probabilitatea contactului accidental cu un cuțit, o lamă sau un fir aflate în mișcare.
  - **La transportarea și depozitarea utilajului, montați întotdeauna capacul lamelor metalice.** Manipularea corespunzătoare a utilajului reduce probabilitatea contactului accidental cu lamele.
  - **Folosiți numai cuțite, fire, capete de tuns și lame specificate de producător.** Componentele de schimb neadecvate pot crește riscul de deteriorare și rănire.
- Alte informații generale privind siguranța**
- Dezactivați produsul înainte de a vă deplasa într-o altă zonă. Scoateți întotdeauna bateria când trimiteți produsul unei alte persoane.
  - Nu puneți jos produsul niciodată fără a-l dezactiva și a scoate bateria. Nu lăsați produsul nesupravegheat atunci când este pornit.
  - Unealta de tăiere nu se oprește imediat după oprirea produsului.
  - Înainte de a utiliza produsul după un impact, verificați să nu prezinte semne de uzură sau de deteriorare și reparați-le dacă este necesar.
  - În cazul în care apare ceva care blochează accesoriul de tăiere în timp ce utilizați produsul, opriți și dezactivați produsul. Asigurați-vă că accesoriul de tăiere se oprește complet. Scoateți bateria înainte de a curăța, inspecta sau repara produsul și/sau echipamentul de tăiere.
  - Verificați produsul înainte de utilizare. Consultați *Dispozitivele de siguranță de pe produs la pagina 319 și Înțelegerea la pagina 323*. Nu utilizați un produs defect. Efectuați verificările de siguranță, instrucțiunile de întreținere și de service descrise în acest manual.
  - Un accesoriu de tăiere defect poate crește pericolul de accidente.
  - Verificați ca angrenajul să nu prezinte murdărie sau fisuri. Eliminați iarba și frunzele din angrenaj cu ajutorul unei perii. Atunci când este necesar, trebuie purtate mănuși.
  - Asigurați-vă întotdeauna că deschiderile de ventilație nu prezintă reziduu.
  - Verificați fixarea completă a capului de tuns pe trimmer.
  - Înainte de pornire, trebuie montate toate capacele, apărătoarele și mânerele.
  - Verificați ca produsul să fie în perfectă stare de funcționare. Verificați ca toate șuruburile și piulițele să fie bine strânse.
  - Verificați să nu fie deteriorate sau crăpate capul de tuns și apărătoarea pentru capul de tuns. Înlocuiți capul de tuns sau apărătoarea pentru capul de tuns dacă acestea au fost expuse la impact sau dacă sunt crăpate. Folosiți întotdeauna apărătoarea recomandată pentru accesoriul de tăiere pe care îl folosiți. Consultați *Accesorii la pagina 326*.
  - Acest produs este o unealtă periculoasă dacă nu sunteți atent sau dacă utilizați produsul incorect. Acest produs poate cauza vătămări corporale grave sau decesul operatorului sau al altor persoane.
  - Acest dispozitiv nu este destinat persoanelor (inclusiv copii) cu capacități fizice, senzoriale sau mintale reduse sau care nu au experiența și cunoștințele necesare, cu excepția situației în care sunt supravegheate sau au primit instrucțiuni referitoare la utilizarea dispozitivului din partea unei persoane responsabile pentru siguranța lor. Copiii trebuie supravegheați, pentru a vă asigura că nu se joacă cu echipamentul.
  - Nu permiteți copiilor să folosească utilajul sau să stea în apropierea acestuia. Deoarece utilajul poate fi pornit cu ușurință, copiii îl pot porni dacă nu sunt supravegheați atent. Există riscul unor vătămări corporale grave. Așadar, deconectați bateria dacă utilajul nu se află sub supraveghere atentă.

- Nu permiteți copiilor sau altor persoane neinstruite cu privire la operarea produsului și/sau a bateriei să le utilizeze sau să le depaneze.
- Depozitați echipamentul într-un spațiu care poate fi încuiat și în care nu pot ajunge copiii și persoanele neautorizate.
- Feriți-vă permanenț de mâinile și picioarele de zona de tăiere, cu precădere la pornirea motorului.
- Țineți mâinile și picioarele la distanță de accesoriul de tăiere până când acesta s-a oprit complet atunci când produsul este dezactivat.
- Nu îndepărtați materialul tăiat și nu lăsați alte persoane să îl îndepărteze în timp ce produsul este pornit sau echipamentul de tăiere se rotește, deoarece aceasta poate duce la vătămări corporale grave.
- Rețineți că este responsabilitatea dvs., în calitate de operator, să nu expuneți alte persoane sau proprietatea acestora la accidente sau la pericole.
- Nu modificați sub nicio formă designul produsului fără permisiunea producătorului. Utilizați întotdeauna accesoriile originale. Modificările și/sau accesoriile neautorizate pot avea drept rezultat vătămări corporale grave sau decesul operatorului sau al altor persoane. Garanția nu poate acoperi daunele sau răspunderea civilă cauzate de utilizarea de accesorii sau de piese de schimb neautorizate.
- Singurele accesorii pe care le puteți utiliza cu acest produs sunt accesorii de tăiere recomandate în capitolul Accesorii. Consultați *Accesorii la pagina 326*.
- Nu utilizați niciodată un produs care a fost modificat în orice mod față de specificația sa inițială
- Nu utilizați niciodată un produs defect. Efectuați verificările de siguranță, operațiile de întreținere și de service descrise în acest manual. Anumite operații de întreținere și de service trebuie efectuate de specialiști instruiți și calificați. Consultați instrucțiunile din subcapitolul Întreținerea.
- Lucrul în condiții de vreme nefavorabilă este obositor și adesea aduce un plus de risc. Din cauza riscului suplimentar, nu se recomandă utilizarea aparatului în condiții de vreme nefavorabilă, cum ar fi ceață densă, ploaie abundentă, vânt puternic, frig pătrunzător, risc de descărcări electrice etc.
- Nu lucrați niciodată de pe o scară, un taburet sau din orice altă poziție ridicată care nu este complet fixată.
- Depozitați aparatele inactive în interior – când nu sunt utilizate, aparatele trebuie depozitate în interior
- Nu este posibil să prezentați toate situațiile imaginabile cu care vă puteți confrunța. Lucrați întotdeauna cu atenție și folosiți-vă gândirea. Evitați toate situațiile pe care le considerați că vă depășesc capacitatea de reacție. Dacă totuși vă simțiți nesiguri în legătură cu procedurile de operare după citirea acestor instrucțiuni, trebuie să consultați un specialist înainte de a continua.
- Asigurați-vă că nicio persoană sau niciun animal nu se apropie la mai mult de 15 metri în timp ce lucrați.

- Când mai mulți operatori lucrează în aceeași zonă, distanța de siguranță trebuie să fie de cel puțin 15 metri. În caz contrar, există riscul unor vătămări corporale grave. Opriiți produsul imediat dacă se apropie cineva. Nu rotiți niciodată produsul în jur fără a verifica mai întâi în spatele dvs., pentru a vă asigura că nu se află nimeni în zona de siguranță.
- Asigurați-vă că oamenii, animalele sau alte lucruri nu vă pot afecta controlul asupra produsului sau că nu vin în contact cu accesoriul de tăiere sau obiectele desprinse care sunt proiectate de accesoriul de tăiere. Totuși, nu utilizați produsul decât în situații în care puteți solicita ajutor în eventualitatea unui accident.
  - Asigurați-vă că vă puteți deplasa și sta în picioare în siguranță. Verificați dacă în zona din jurul dvs. nu există posibile obstacole (rădăcini, pietre, crengi, șanțuri etc.) în caz că trebuie să vă deplasați brusc. Aveți mare grijă în timp ce lucrați pe teren în pantă.
  - Mergeți, nu alergați niciodată.
  - Inspectați zona de lucru. Îndepărtați toate obiectele libere, precum pietre, sticlă spartă, cuie, fire de oțel, sfoară etc. care pot fi proiectate sau se pot împrășturi în jurul frezei sau apărătorii frezei.
  - Atenție la cioturile de ramuri care pot fi proiectate în timp ce efectuați tăierea. Nu tăiați prea aproape de sol, unde pietrele și alte obiecte pot fi proiectate.
  - Asigurați-vă că accesoriul de tăiere nu intră în contact cu haine sau părți ale corpului atunci când produsul este activat. Țineți produsul sub nivelul taliei.
  - Fiți atenți la obiectele azvârlite. Purtați întotdeauna echipament de protecție pentru ochi aprobat. Nu vă aplecați niciodată peste apărătoarea accesoriului de tăiere. Pietrele, gunoiul etc. pot fi azvârlite în ochi, cauzând orbire sau vătămare gravă.
  - Ascultați semnalele de avertisment sau strigătele când purtați echipament pentru protecția auzului. Îndepărtați întotdeauna protecția pentru auz imediat ce se oprește produsul.
  - În caz de vibrații nedorite, apăsați pe butonul de linie nouă pentru a conferi liniei lungimea corectă pentru a opri vibrațiile.
  - Dacă produsul începe să vibreze anormal, opriți-l și scoateți bateria.
  - Expunerea prelungită la vibrații poate conduce la afecțiuni circulatorii sau la deteriorări ale nervilor la persoanele cu circulație defectuoasă. Discutați cu medicul dacă prezentați simptome de expunere prelungită la vibrații. Astfel de simptome includ amorțeală, pierderea sensibilității tactile, gâdilături, cipiurii, durere, pierderea forței, modificări în culoarea sau starea pielii. Aceste simptome apar de obicei la degete, la mâini sau la încheieturi.
  - Țineți întotdeauna produsul cu ambele mâini. Țineți produsul pe partea dreaptă a corpului.

## Echipament de protecție personală



**AVERTISMENT:** Înainte de a utiliza produsul, citiți instrucțiunile de avertizare de mai jos.

- Utilizați întotdeauna echipamente de protecție personală atunci când folosiți produsul. Echipamentele de protecție personală nu pot elimina complet riscul de rănire, însă pot reduce gravitatea rănilor în cazul unui accident. Distribuitorul vă poate ajuta să alegeți echipamentul corect.
- Utilizați o cască de protecție în caz că există riscul ca unele obiecte să cadă.
- Purtați echipament de protecție pentru urechi aprobat pentru utilizare, care asigură reducerea adecvată a zgomotului. Expunerea pe termen lung la zgomot poate avea ca rezultat o afecțiune ireversibilă a auzului.
- Utilizați ochelari de protecție omologați. Dacă utilizați un vizor de protecție, trebuie să purtați și ochelari de protecție. Ochelarii de protecție trebuie să fie conformi cu standardul ANSI Z87.1 în S.U.A. sau EN 166 în țările din UE.
- Utilizați o vizieră pentru protecția feței. Viziera nu este suficientă pentru protejarea ochilor.

(Fig. 19)

- Purtați mănuși atunci când este necesar, de exemplu atunci când conectați, inspectați sau curățați echipamentul de tăiere.
- Utilizați ghete solide, cu talpă antiaderentă.
- Purtați haine din țesături rezistente. Purtați întotdeauna pantaloni lungi, din material gros, și îmbrăcăminte cu mâneci lungi. Nu purtați haine largi, care se pot prinde în smicele și ramuri. Nu purtați bijuterii, șort, sandale și nu lucrați în picioarele goale. Strângeți-vă părul în siguranță, deasupra nivelului umărului.

(Fig. 20)

- Păstrați la îndemână echipament de prim ajutor.

(Fig. 21)

## Dispozitivele de siguranță de pe produs



**AVERTISMENT:** Înainte de a utiliza produsul, citiți instrucțiunile de avertizare de mai jos.

În această secțiune sunt descrise caracteristicile de siguranță al produsului, scopul său și modul în care trebuie efectuate verificările și întreținerea pentru a asigura funcționarea corectă. A se vedea instrucțiunile din capitolul *Introducere la pagina 313* pentru a afla unde sunt amplasate aceste piese pe produsul dvs.

Durata de viață a produsului se poate reduce, iar riscul de accidente se poate mări dacă întreținerea produsului nu este efectuată corect, iar reglarea și/sau reparațiile

nu sunt executate în mod profesional. Dacă aveți nevoie de informații suplimentare, contactați cel mai apropiat furnizor de service.



**AVERTISMENT:** Nu utilizați niciodată un produs cu componente de siguranță deteriorate. Echipamentul de siguranță al produsului trebuie inspectat și întreținut conform indicațiilor din acest capitol. Dacă produsul nu trece oricare dintre următoarele verificări, contactați agentul de service pentru reparații.



**ATENȚIE:** Toate activitățile de service și de reparații de pe aparat necesită instruire specială. Acest lucru este adevărat în special în legătură cu echipamentul de siguranță al aparatului. În cazul în care aparatul dvs. nu trece de oricare dintre verificările descrise mai jos, trebuie să vă contactați agentul de service. Atunci când achiziționați oricare dintre produsele noastre, garantăm disponibilitatea reparațiilor și service-ului profesionist. Dacă vânzătorul cu amănuntul care vă vinde aparatul nu este dealer de service, solicitați-i adresa celui mai apropiat agent de service.

## Pentru a verifica interfața cu utilizatorul

1. Apăsăți și țineți apăsat butonul de start/oprire (A).
  - a) Produsul este pornit când se aprinde afișajul (B). (Fig. 22)
  - b) Produsul este oprit când afișajul este stins.
2. Dacă indicatorul de avertisment de pe afișaj este aprins sau se aprinde intermitent, consultați *Interfață utilizator la pagina 324*.

## Verificarea opritorului întrerupătorului

Dispozitivul de blocare al întrerupătorului este proiectat să prevină funcționarea accidentală. Când apăsați dispozitivul de blocare a întrerupătorului înainte (A) și apoi apăsați pe dispozitivul de blocare spre mânerul (B), întrerupătorul (C) este eliberat. Când eliberați mânerul, întrerupătorul și opritorul acestuia se deplasează înapoi în pozițiile lor inițiale. Această mișcare este efectuată de trei arcuri independente.

(Fig. 23)

1. Asigurați-vă că întrerupătorul este blocat atunci când dispozitivul său de blocare este în poziția inițială. (Fig. 24)
2. Apăsăți întrerupătorul și asigurați-vă că revine la poziția inițială când îl eliberați. (Fig. 25)
3. Asigurați-vă că întrerupătorul și dispozitivul de blocare aferent se mișcă liber și că arcul de rapel funcționează corect.
4. Porniți produsul, consultați *Pornirea produsului la pagina 322*.

5. Aplicați viteza maximă.
6. Eliberați întrerupătorul și asigurați-vă că accesoriul de tăiere se oprește și rămâne nemișcat.

## Verificarea apărătorii accesoriului de tăiere



**AVERTISMENT:** Nu utilizați un accesoriu de tăiere fără o apărătoare aprobată și corect atașată a acestuia. Utilizați întotdeauna apărătoarea recomandată pentru accesoriul de tăiere pe care îl utilizați, consultați *Accesorii la pagina 326*. Dacă este atașată o apărătoare pentru accesoriul de tăiere incorectă sau defectă, aceasta poate provoca vătămări corporale grave.

Apărătoarea accesoriului de tăiere oprește obiectele proiectate în direcția operatorului. De asemenea, previne vătămrile corporale care pot apărea dacă atingeți accesoriul de tăiere.

1. Opriți produsul și scoateți bateria.
2. Verificați vizual eventualele deteriorări, de exemplu, crăpături. (Fig. 26)
3. Înlocuiți apărătoarea accesoriului de tăiere, dacă este deteriorată.

## Cap de tuns

- Utilizați întotdeauna capul de tuns, accesoriile de tăiere corespunzătoare și utilizați întotdeauna firul trimmerului recomandat. Consultați *Accesorii la pagina 326* și ansamblul de la sfârșitul manualului.
- Asigurați-vă că freza de pe apărătoarea pentru capul de tuns nu este deteriorată.
- Asigurați-vă că firul trimmerului este înfășurat strâns și uniform în jurul tamburului pentru a evita vibrațiile neobișnuite ale produsului. Lungimi diferite ale cablului pot duce la vibrații care nu sunt necesare. Atingeți capul de tuns pentru a obține lungimea corectă a cablului.

Pentru a crește durata de viață a cablului, acesta poate fi înmuiat în apă timp de 2 zile sau mai mult înainte de a fi instalat. Astfel, cablul va fi mai rezistent.

## Instrucțiuni de siguranță pentru asamblare



**AVERTISMENT:** Citiți, înțelegeți și respectați cu atenție aceste instrucțiuni înainte de a utiliza produsul.

- Scoateți bateria din produs înainte de a asambla produsul.
- Utilizați mănuși de protecție omologate.
- O apărătoare deteriorată sau care nu funcționează corect poate cauza răni. Nu utilizați un accesoriu de tăiere la care nu este montată apărătoarea corespunzătoare.
- Asamblați corect capacul și arborele înainte de a porni produsul.
- Discul de antrenare și flanșa de susținere trebuie să se cupleze corect în gaura de centrare a accesoriului de tăiere. Un accesoriu de tăiere incorect atașat poate cauza vătămare corporală sau deces.
- Dacă împreună cu accesoriul este furnizat și un ham, hamul trebuie fixat corect pe produs. Hamul asigură funcționarea în siguranță și previne vătămarea operatorului sau altor persoane.

## Instrucțiuni de siguranță pentru întreținere



**AVERTISMENT:** Înainte de a efectua lucrări de întreținere asupra produsului, citiți instrucțiunile de avertisment de mai jos.

- Scoateți bateria înainte de a efectua întreținerea, alte verificări sau de a asambla produsul.
- Operatorul trebuie să efectueze numai operațiile de întreținere și service indicate în acest manual al operatorului. Apelați la reprezentantul de service pentru întreținerea și service-ul de mai mare amploare.
- Nu curățați niciodată bateria sau încărcătorul cu apă. Detergentul puternic poate deteriora plasticul.
- Dacă nu efectuați operații de întreținere, durata de viață a produsului scade, iar pericolul de accidente crește.
- Este necesară instruirea profesională specială pentru toate lucrările de service și reparații, mai ales pentru dispozitivele de siguranță de pe produs. Dacă nu sunt aprobate toate verificările din acest manual al operatorului, după ce ați efectuat operațiile de întreținere, apelați la reprezentantul de service. Vă garantăm că există servicii profesionale de reparații și service disponibile pentru produsul dvs.
- Utilizați doar piese de schimb originale.
- Când efectuați operații de reparație a accesoriului de tăiere, utilizați întotdeauna mănuși de protecție rezistente. Lamele sunt foarte ascuțite și pot provoca cu ușurință vătămări corporale.



---

## Asamblarea

---

### Montarea mânerului semicircular

1. Atașați mânerul semicircular pe arbore între săgeți. Nu amplasați mânerul semicircular sau inelul de agățare pe etichetă. (Fig. 27)
2. Introduceți șaiba în locașul mânerului semicircular.
3. Atașați piulița, butonul și șurubul; nu strângeți prea tare.
4. Ajustați produsul într-o poziție confortabilă.
5. Strângeți bolțul.

### Pentru a asambla echipamentul de tăiere

Echipamentul de tăiere include un accesoriu de tăiere și o apărătoare a acestuia.



**AVERTISMENT:** Utilizați mănuși de protecție.



**AVERTISMENT:** Utilizați întotdeauna apărătoarea accesoriului de tăiere recomandată pentru accesoriul de tăiere. Consultați *Date tehnice la pagina 325*.



**AVERTISMENT:** Un accesoriu de tăiere incorect montat poate duce la vătămări corporale sau la deces.

### Pentru a atașa apărătoarea accesoriului de tăiere

1. Prindeți apărătoarea accesoriului de tăiere (A) pe cârligul de pe suportul plăcuței (B). (Fig. 28)
2. Instalați apărătoarea accesoriului de tăiere pe arbore și fixați-o cu bolțul (C).

### Pentru a înlocui apărătoarei accesoriului de tăiere

- Slăbiți bolțul (C) și scoateți apărătoarea accesoriului de tăiere (A) de pe arbore. (Fig. 29)

### Asamblarea capetelor de tuns



**AVERTISMENT:** La instalarea accesoriului de tăiere, este foarte important ca secțiunea ridicată de pe discul de antrenare/flanșa de susținere să se cupleze corect în orificiul de centrare al accesoriului de tăiere. Dacă accesoriul de tăiere este montat incorect, acesta poate cauza răniri personale grave și/sau fatale.



**AVERTISMENT:** Nu utilizați niciodată un accesoriu de tăiere fără o apărătoare aprobată. Consultați *Accesorii la pagina 326*. Dacă este montată o apărătoare incorectă sau defectă, aceasta poate provoca vătămări corporale grave.

### Pentru a atașa capul de tuns

1. Poziționați discul de antrenare (B) pe arborele de ieșire.
2. Rotiți arborele de ieșire pentru a alinia unul dintre orificiile din discul de antrenare cu orificiul corespunzător din carcasa angrenajului.
3. Introduceți siguranța (C) în orificiul pentru a bloca arborele.
4. Rotiți capul de tuns (H) în sens invers acelor de ceasornic pentru a-l fixa. (Fig. 30)

### Pentru a îndepărta capul de tuns

1. Introduceți siguranța (C) în orificiul pentru a bloca arborele.
2. Rotiți capul de tuns (H) în sensul acelor de ceasornic pentru a-l îndepărta.
3. Îndepărtați discul de antrenare (B) de pe arborele de ieșire. (Fig. 30)

---

## Funcționarea

---

### Introducere



**AVERTISMENT:** Citiți și înțelegeți capitolul referitor la siguranță înainte de utilizarea produsului.



**AVERTISMENT:** Utilizați numai baterii originale Husqvarna cu produsul.

1. Asigurați-vă că bateria este încărcată complet.

2. Împingeți bateria în suportul de baterie al produsului. Când auziți un clic, înseamnă că bateria s-a blocat în poziția corectă. (Fig. 31)



**ATENȚIE:** Dacă bateria nu se deplasează cu ușurință în suportul de baterie, înseamnă că bateria nu este instalată corect. Aceasta poate deteriora produsul.

3. Asigurați-vă că bateria este instalată corect.

## Poziție de lucru

- Țineți produsul cu ambele mâini.
- Țineți produsul pe partea dreaptă a corpului.
- Țineți accesoriul de tăiere sub nivelul taliei.
- Nu apropiați părțile corpului de suprafețele fierbinți.
- Nu apropiați părțile corpului de accesoriul de tăiere.

## Înainte de a utiliza produsul

- Examinați zona de lucru pentru a vă asigura că sunteți familiarizat cu tipul de teren, cu panta solului și cu eventualele obstacole, precum pietrele, ramurile și șanțurile.
- Efectuați o inspecție globală a produsului.
- Efectuați inspecțiile de siguranță, întreținerea și operațiile de service indicate în acest manual.
- Asigurați-vă că toate capacele, apărătoarele, mânerul și echipamentul de tăiere sunt corect atașate și nu sunt deteriorate.
- Examinați flanșa de susținere, pentru a vedea dacă nu prezintă fisuri. Înlocuiți flanșa de susținere, dacă acesta este deteriorată.

(Fig. 32)

- Examinați capul de tuns și apărătoarea accesoriului de tăiere pentru a vedea dacă nu prezintă deteriorări sau fisuri. Înlocuiți capul de tuns și apărătoarea accesoriului de tăiere dacă au suferit șocuri sau dacă prezintă fisuri.

(Fig. 33)

## Pornirea produsului

1. Apăsăți și țineți apăsat butonul start până când LED-ul verde se aprinde. (Fig. 34)
2. Utilizați întrerupătorul pentru a controla viteza.

## Pentru a limita viteza maximă cu butonul de mod

Produsul are un buton de mod. Cu ajutorul butonului de mod, operatorul poate limita viteza maximă. Butonul de mod are 3 niveluri de viteză. Un nivel mai scăzut crește durata de funcționare a produsului. Utilizați nivelul 1 și nivelul 2 dacă operația nu necesită viteză maximă/putere maximă. În cazul în care condițiile de funcționare necesită turația maximă/puterea maximă, utilizați nivelul

3. Nu utilizați un nivel mai ridicat decât este necesar pentru funcționare.

1. Apăsăți butonul de mod pentru a seta o limită a vitezei maxime. LED-urile albe se aprind pentru a arăta că funcția este activă. (Fig. 35)
2. Apăsăți din nou butonul de mod pentru a selecta următorul nivel de turație.

## Funcția de oprire automată

Produsul dispune de o funcție de oprire, care îl dezactivează dacă nu este utilizat.

## Tunderea ierbii folosind un cap de tuns

### Pentru a tunde iarba

1. Țineți capul de tuns chiar deasupra solului, în poziție înclinată. (Fig. 36) Nu apăsați firul pentru iarbă al trimmerului în iarbă.
2. Utilizați viteza la 80% când tăiați iarbă în apropierea unor obiecte. (Fig. 37)

### Pentru a tăia iarba

1. Când tăiați, asigurați-vă că firul pentru iarbă al trimmerului este paralel cu solul. (Fig. 38)
2. Nu împingeți capul de tuns în sol. Solul și produsul se pot deteriora.
3. Nu permiteți contactul continuu cu solul al capului de tuns, deoarece acesta din urmă se poate deteriora.
4. Utilizați viteza maximă când întoarceți produsul de pe o parte pe alta pentru a tăia iarba. (Fig. 39) Asigurați-vă că firul pentru iarbă al trimmerului este paralel cu solul.

### Pentru a mătura iarba

Fluxul de aer de la firul trimmerului rotativ se poate utiliza pentru eliminarea ierbii tăiate dintr-o zonă.

1. Mențineți capul de tuns și firul acestuia în paralel cu solul și deasupra acestuia.
2. Aplicați viteza maximă.
3. Mutați capul de tuns dintr-o parte în alta și măturați iarba.



**AVERTISMENT:** Curățați capacul capului de tuns la fiecare asamblare a unui fir de tuns nou, pentru a preveni dezechilibre și vibrații în mână. De asemenea, verificați celelalte componente ale capului de tuns și curățați-le, dacă este necesar.

## Oprirea produsului

1. Eliberați întrerupătorul sau opritorul întrerupătorului.
2. Apăsăți butonul stop. (Fig. 34)
3. Apăsăți butoanele de eliberare de pe baterie și scoateți bateria. (Fig. 40)

# Întreținerea

## Introducere



**AVERTISMENT:** Înainte de a efectua orice lucrări de întreținere, citiți și înțelegeți capitolul privind siguranța.

## Program de întreținere



**AVERTISMENT:** Scoateți bateria înainte de a efectua operații de întreținere.

În continuare prezentăm o listă de pași de întreținere care trebuie efectuați asupra aparatului.

Întreținere	Zilnic	Săptămănal	Lunar
Curățați componentele externe ale produsului cu o cârpă uscată. Nu folosiți apă.	X		
Verificați dacă butonul de pornire și oprire funcționează corect și nu este deteriorat.	X		
Asigurați-vă că întrerupătorul și opritorul întrerupătorului funcționează corect din punct de vedere al siguranței.	X		
Asigurați-vă că toate comenzile funcționează și nu sunt deteriorate.	X		
Mențineți mânerul uscat, curat, fără ulei și unsoare.	X		
Asigurați-vă că accesoriul de tăiere nu este deteriorat. Înlocuiți accesoriul de tăiere, dacă este deteriorat.	X		
Asigurați-vă că apărătoarea accesoriului de tăiere sau lamei nu este deteriorată. Înlocuiți apărătoarea accesoriului de tăiere sau lamei, dacă este deteriorată.	X		
Asigurați-vă că șuruburile și piulițele sunt strânse.	X		
Asigurați-vă că butoanele de eliberare de pe baterie funcționează și blochează bateria în produs.	X		
Asigurați-vă că bateria nu este deteriorată.	X		
Asigurați-vă că bateria este încărcată.	X		
Asigurați-vă că încărcătorul bateriei nu este deteriorat și că funcționează corect.	X		
Examinați toate cablurile, cuplajele și conexiunile. Asigurați-vă că nu sunt deteriorate și nu sunt murdare.		X	
Asigurați-vă că angrenajul conic este umplut corect cu unsoare; consultați <i>Pentru a lubrifia angrenajul conic la pagina 323</i> . Dacă nu, utilizați unsoare pentru angrenaj conic Husqvarna.		X	
Verificați legăturile dintre baterie și produs. Verificați legăturile dintre baterie și încărcătorul bateriei.			X

## Curățarea produsului, bateriei și încărcătorului

1. Curățați produsul cu o cârpă uscată după utilizare.
2. Curățați bateria și încărcătorul de baterii cu o cârpă uscată. Mențineți curate șinele de ghidaj al bateriei.

3. Asigurați-vă că bornele bateriei și încărcătorul de baterii sunt curate, înainte ca bateria să fie introdusă în încărcător sau produs.

## Pentru a lubrifia angrenajul conic

1. Demontați echipamentul de tăiere.
2. Așezați produsul cu dopul pentru unsoare la cea mai înaltă poziție.

3. Scoateți dopul pentru unsoare. (Fig. 41)
4. Uitați-vă în orificiul dopului pentru unsoare și rotiți arborele conducător. Nivelul de unsoare (A) trebuie să fie la același nivel cu partea superioară a roșilor dințate (B). (Fig. 42)
5. Dacă nivelul de unsoare este prea scăzut, umpleți angrenajul conic cu unsoare pentru angrenajul conic Husqvarna. Umpleți lent și rotiți arborele conducător în timp ce aplicați unsoarea pentru angrenajul conic, oprindu-vă la nivelul corect (B).



**ATENȚIE:** O cantitate incorectă de unsoare poate deteriora angrenajul conic.

6. Montați dopul pentru unsoare.

## Depanarea

### Interfață utilizator

Problemă	Erori posibile	Acțiune posibilă
Indicatorul LED al bateriei luminează intermitent portocaliu	Tensiune joasă a bateriei.	Încărcați bateria.
LED-ul de eroare luminează intermitent roșu	Suprasolicitare.	Accesorii de tăiere este blocat. Opriți produsul. Scoateți bateria. Curățați accesoriul de tăiere de materialele nedorite.
	Deviație de temperatură.	Lăsați produsul să se răcească.
	Înterupătorul și butonul de activare sunt apăsat simultan.	Eliberați întrerupătorul și produsul se activează.
Produsul nu pornește.	Murdărie în conectorii bateriei.	Curățați conectorii bateriei cu aer comprimat sau cu o perie moale.
LED-ul de eroare luminează continuu în roșu	Produsul necesită service.	Contactați agentul de service.

## Transportul, depozitarea și eliminarea

### Transportul și depozitarea

- Bateriile cu ioni de litiu furnizate respectă cerințele legislației privind bunurile periculoase.
- Respectați cerințele speciale de pe ambalaj și etichete privind transportul comercial, inclusiv cele emise de către terțe părți și companiile de expediție.
- Discutați cu o persoană care a beneficiat de instruire specială privind materialele periculoase înainte de a trimite produsul. Respectați toate reglementările naționale aplicabile.
- Aplicați bandă adezivă pe contactele expuse atunci când introduceți bateria într-un pachet. Bateria trebuie ambalată astfel încât să nu se poată deplasa în interiorul pachetului.
- La depozitare și la transport, scoateți întotdeauna bateria.
- Puneți bateria și încărcătorul de baterii într-un spațiu uscat și ferit de umezeală și îngheț.
- Nu depozitați bateria într-un loc în care există riscul de acumulare a electricității statice. Nu depozitați bateria într-o cutie metalică.
- Depozitați bateria la temperaturi între 5°C (41°F) și 25°C (77°F), într-un loc ferit de radiațiile solare directe.
- Depozitați încărcătorul de baterii la temperaturi între 5°C (41°F) și 45°C (113°F), într-un loc ferit de radiațiile solare directe.
- Utilizați încărcătorul de baterii numai la temperaturi ambiante cuprinse între 5°C/41°F și 40°C/104°F.
- Încărcați bateria în proporție de 30 % - 50 % înainte de a o depozita pe o perioadă lungă.
- Depozitați încărcătorul de baterii într-un spațiu închis și uscat.
- Nu depozitați bateria lângă încărcător. Nu lăsați copiii și alte persoane neautorizate să atingă echipamentul. Păstrați echipamentul într-un spațiu pe care îl puteți înclui.

- Curățați produsul și efectuați un service complet înainte de a depozita produsul pentru o perioadă lungă de timp.
- Utilizați apărătoria de transport pe produs pentru a preveni accidentarea sau deteriorarea produsului în timpul transportului și depozitării.
- Fixați foarte bine produsul în timpul transportului.

la un centru de reciclare pentru echipamente electrice și electronice. Această măsură ajută la protejarea mediului și a oamenilor.

Luăți legătura cu autoritățile locale, centrul de colectare a reziduurilor menajere sau distribuitorul pentru mai multe informații despre modul de reciclare a produsului dvs.

## Eliminarea bateriei, încărcătorului acesteia și a produsului

Simbolurile de pe produs sau de pe ambalajul acestuia înseamnă că produsul nu este deșeu menajer. Reciclați-l

## Date tehnice

### Date tehnice

	<b>325iL</b>
<b>Motor</b>	
Tip de motor	BLDC (fără perii) de 36 V
Viteza arborelui de ieșire, rot/min	5800
Lățime de tăiere, mm	420
<b>Greutate</b>	
Greutate fără baterie și accesoriu de tăiere, kg	3,0
<b>Emisii de zgomot</b> <sup>61</sup>	
Nivel de putere acustică, măsurat dB(A)	93
Nivel de putere acustică, garantat L <sub>WA</sub> dB(A)	96
<b>Niveluri de zgomot</b> <sup>62</sup>	
Nivel de presiune a zgomotului echivalent pentru urechile operatorului, măsurat conform ISO 22868, dB (A):	
Dotat cu cap de tuns (original)	84
<b>Niveluri de vibrații</b> <sup>63</sup>	
Nivelurile de vibrații la mână, măsurate în conformitate cu ISO 22867, m/s <sup>2</sup>	
Echipat cu cap de tuns (original), față/spate, m/s <sup>2</sup>	4,3/2,9

<sup>61</sup> Emisiile de zgomot în mediu măsurate ca putere acustică (LWA) în conformitate cu directiva CE 2000/14/CE. Nivelul de putere a sunetului raportat pentru aparat a fost măsurat cu accesoriul original de tăiere care emite cel mai ridicat nivel. Diferența dintre puterea garantată a sunetului și cea măsurată este aceea că puterea garantată a sunetului include, de asemenea, dispersia în rezultatul de măsurare și variațiile dintre diferitele aparate ale aceluiași model conform Directivei 2000/14/CE.

<sup>62</sup> Datele raportate pentru nivelul de presiune a zgomotului pentru utilaj au o dispersie statistică tipică (deviație standard) de 3 dB (A) și au fost măsurate cu accesoriul original care oferă cel mai înalt nivel.

<sup>63</sup> Datele raportate pentru nivelul de vibrații prezintă o dispersie statistică tipică (abatere standard) de 2 m/s<sup>2</sup>. Pentru compararea nivelurilor de vibrații dintre produsele cu baterie și cele cu benzină folosiți calculatorul de vibrații. <https://www.husqvarna.com/uk/services-solutions/vibration-calculator/>.

## Baterii aprobate

<b>Baterie</b>	<b>BLi 200</b>
Tip	Litiu-ion
Capacitate baterie, Ah	5,2
Tensiune nominală, V	36
Greutate, kg (lb)	1,3 (2,9)

## Încărcătoare de baterii omologate

<b>Încărcător pentru acumulator</b>	<b>QC330</b>
Tensiune de intrare, V	100-240
Frecvență, Hz	50-60
Putere, W	330

---

## Accesorii

---

### Accesorii

Accesorii aprobate	Tip accesoriu	Apărătoare accesoriu de tăiere, nr. piesă
Gaură de centrare pentru lame/cuțite, Ø 25,4		
Filet arbore de ieșire M10		
Cap de tuns	T35 (fir de trimmer Whisper twist, maxim Ø 2,4 mm)	597 01 62-02

# Declarație de conformitate

## Declarație de conformitate UE

Noi, **Husqvarna AB**, SE-561 82 Huskvarna, Suedia, tel.:  
+46-36-146500, declarăm pe propria răspundere, că  
produsul:

<b>Descriere</b>	Trimmer pentru tuns iarba acționat de baterie
<b>Marcă</b>	Husqvarna
<b>Tip/Model</b>	325iL
<b>Identificare</b>	Numerele de serie începând cu 2023

respectă în totalitate următoarele directive și  
reglementări UE:

<b>Directivă/Regula- ment</b>	<b>Descriere</b>
2006/42/CE	„privind echipamentele tehnice”
2014/30/CEM	„privind compatibilitatea electromagnetică”
2011/65/UE	„privind interzicerea substanțelor periculoase”
2000/14/CE	„privind zgomotul exterior”

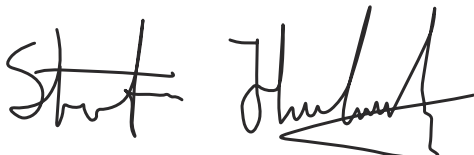
și că au fost aplicate următoarele standarde și/sau  
specificații tehnice: EN 62841-1:2015/AC:2015, EN  
62841-4-4 (IEC 62841-4-4:2020), EN 61000-6-1:2007  
(Immunity), EN 61000-6-3:2007/A1:2011/AC:2012  
(Emission).

RISE SMP Svensk Maskinprovning AB, Box 4053,  
SE-904 03 Umeå, Sweden a efectuat teste de tip  
voluntar, în conformitate cu anexa IX a directivei  
2006/42/CE. Nr. certificat: SEC/23/2579.

Notified body: 0404, RISE SMP Svensk Maskinprovning  
AB, Box 4053, SE-904 03 Umeå, Sweden a verificat,  
de asemenea, conformitatea cu anexa VI a Directivei  
Consiliului 2000/14/CE.

Pentru informații privind emisiile de zgomot, consultați  
*Date tehnice la pagina 325.*

Huskvarna, 2022-12-01



Stefan Holmberg, Director de cercetare și dezvoltare,  
Departamentul de gestionare a tehnologiei, Husqvarna  
AB

Responsabil pentru documentația tehnică



---

## Содержание

---

Введение.....	328	Транспортировка, хранение и утилизация.....	341
Безопасность.....	329	Технические данные.....	342
Сборка.....	337	Принадлежности.....	343
Эксплуатация.....	338	Декларация о соответствии.....	344
Техническое обслуживание.....	339	Приложение .....	447
Поиск и устранение неисправностей.....	341		

---

## Введение

---

### Описание изделия

Husqvarna 325iL представляет собой аккумуляторный триммер для травы с электродвигателем.

Мы постоянно совершенствуем свою продукцию с целью повысить вашу безопасность и эффективность во время работы. Для получения более подробной информации обратитесь к своему дилеру по обслуживанию.

### Назначение

Изделие предназначено для использования с головкой триммера для скашивания различных типов

### Обзор изделия

(Рис. 1)

1. Руководство по эксплуатации
2. Зубчатая передача
3. Отверстие для стопорного штифта
4. Триммерная головка
5. Кожух режущего оборудования
6. Ведущий диск
7. Комбинированный ключ
8. Петельная рукоятка
9. Фиксатор
10. Штанга
11. Стопорный штифт
12. Предупреждающий светодиодный индикатор
13. Кнопка запуска/остановки
14. Кнопка выбора режима скорости
15. Предохранитель нажатия курка
16. Пользовательский интерфейс
17. Курок
18. Шнур зарядного устройства для аккумулятора
19. Зарядное устройство
20. Светодиодный индикатор питания и предупреждения
21. Кнопки извлечения аккумулятора
22. Аккумулятор
23. Светодиодный индикатор состояния заряда

растительности. Изделие разрешается использовать только для кошения и триммерной стрижки травы.

**Примечание:** Эксплуатация данного изделия может регулироваться государственными или региональными нормативными требованиями. Соблюдайте действующие требования.

Используйте с этим инструментом только одобренные производителем принадлежности. См. раздел *Принадлежности на стр. 343*.

24. Предупреждающий светодиодный индикатор
25. Кнопка-индикатор аккумулятора

### Символы на изделии

(Рис. 2) **ПРЕДУПРЕЖДЕНИЕ!** Данное изделие может представлять опасность! Небрежная или неправильная эксплуатация может привести к серьезной или смертельной травме оператора или других лиц. Крайне важно внимательно прочитать и понять руководство по эксплуатации. Перед началом эксплуатации изделия внимательно прочитайте руководство по эксплуатации и убедитесь, что понимаете приведенные здесь инструкции.

(Рис. 3) Используйте одобренные средства защиты органов слуха. Используйте одобренные средства защиты глаз.

(Рис. 4) Максимальная скорость / скорость без нагрузки.

XXXX /мин  
или мин<sup>-1</sup> | Количество оборотов или возвратно-ступательных движений за минуту.



- |           |   |           |  |
|-----------|---|-----------|--|
| (Рис. 5)  | Номинальное напряжение, В   | (Рис. 13) | Во время работы оборудование может случайно отбрасывать предметы, которые могут отскочить обратно. Это может привести к серьезным повреждениям глаз, если не использовать рекомендованные средства защиты.   |
| (Рис. 6)  | Постоянный ток.   | (Рис. 14) | Перед техническим обслуживанием отсоедините аккумулятор.   |
| (Рис. 7)  | Изделие соответствует действующим директивам ЕС.  | (Рис. 15) | Данное изделие имеет защиту от брызг воды.   |
| (Рис. 8)  | Данное изделие отвечает требованиям действующих директив Великобритании.  | (Рис. 16) | Держите все части тела на безопасном расстоянии от нагретых поверхностей изделия.  |
| (Рис. 9)  | Используйте одобренные защитные перчатки.   | (Рис. 17) | Табличка с уровнем эмиссии шума в окружающую среду в соответствии с директивами и нормативами Европейского союза, Великобритании и законодательством Нового Южного Уэльса "Регламент 2017 года по защите окружающей среды (контроль уровня шума)". Гарантированный уровень мощности звука изделия указан в разделе <i>Технические данные на стр. 342</i> . |
| (Рис. 10) | Надевайте защитные ботинки с нескользкой подошвой.  |           |  |
| (Рис. 11) | Используйте только гибкое неметаллическое режущее оборудование.   |           |  |
| (Рис. 12) | Обозначения на изделии или его упаковке указывают на то, что данное изделие нельзя утилизировать вместе с бытовыми отходами. Изделие подлежит утилизации на соответствующем предприятии по переработке отходов. |           |  |

ууууwxxxx

На паспортной табличке указан серийный номер. **уууу** означает год производства, **ww** — производственную неделю, а **xxxx** — порядковый номер.

(Рис. 18)

Оператор обязан следить за тем, чтобы в радиусе 15 м не было людей или животных. При работе нескольких человек на одном участке между ними должна поддерживаться безопасная дистанция не менее 15 м.

**Примечание:** Остальные символы/наклейки на изделии отвечают требованиям, предъявляемым к сертификации в других коммерческих зонах.

## Повреждение изделия

Мы не несем ответственности за повреждение изделия в следующих случаях:

- ненадлежащий ремонт изделия;

- использование для ремонта изделия неоригинальных деталей или деталей, не одобренных производителем;
- использование неоригинальных дополнительных принадлежностей или принадлежностей, не одобренных производителем;
- ремонт изделия в неавторизованном сервисном центре или неквалифицированным специалистом.

## Безопасность

### Инструкции по технике безопасности

Предупреждения, предостережения и примечания используются для выделения особо важных пунктов руководства.



#### ПРЕДУПРЕЖДЕНИЕ:

Используется, когда несоблюдение



инструкций руководства может привести к травмам или смерти оператора или находящихся рядом посторонних лиц.

**ВНИМАНИЕ:** Используется, когда несоблюдение инструкций руководства может привести к повреждению изделия,

других материалов или прилегающей территории.

**Примечание:** Используется для предоставления дополнительных сведений о конкретной ситуации.

## Общие меры предосторожности при работе с электроинструментом



### ПРЕДУПРЕЖДЕНИЕ:

Ознакомьтесь со всеми предупреждениями, инструкциями, иллюстрациями и положениями, касающимися техники безопасности и прилагаемыми к данному электроинструменту. Несоблюдение всех указанных ниже инструкций может привести к поражению электрическим током, пожару и/или тяжелым травмам.

- Сохраните все предупреждающие указания и инструкции для последующего обращения. Под словом "электроинструмент" в данном документе понимается электрический инструмент, работающий от сети (проводной) либо от аккумулятора (беспроводной).

### Техника безопасности на рабочем месте

- Рабочее место должно содержаться в чистоте и быть хорошо освещено. Загромождения или отсутствие освещения могут стать причиной несчастных случаев.
- Не пользуйтесь электроинструментами во взрывоопасной атмосфере, например, в присутствии легковоспламеняющихся жидкостей, газов или пыли. Электроинструменты производят искры, которые могут зажечь пыль или пары топлива.
- Не позволяйте детям и посторонним наблюдателям приближаться к вам во время использования электроинструмента. Это может отвлечь ваше внимание и привести к потере управления.

### Электрическая безопасность

- Штепсельная вилка электроинструмента должна соответствовать электрической розетке. Запрещается изменять конструкцию вилки. Не пользуйтесь штепсельными переходниками при работе с заземленными электроинструментами. Отсутствие изменений в конструкции вилок и их соответствие розеткам снижает опасность поражения электрическим током.
- Избегайте контакта любых частей тела с заземленными поверхностями, такими как трубы, батареи отопления, кухонные плиты и

холодильники. Заземление тела увеличивает риск поражения электрическим током.

- Не подвергайте электроинструмент воздействию воды или высокой влажности. Попадание воды внутрь электроинструмента увеличивает риск поражения электрическим током.
- Используйте шнур электроинструмента только по прямому назначению. Никогда не носите и не тяните электроинструмент за шнур и не дергайте за него, чтобы выключить инструмент из розетки. Держите шнур вдали от источников тепла, масла, острых углов или движущихся деталей. Эксплуатация поврежденного или запутанного шнура увеличивает риск поражения электротоком.
- При работе с электроинструментом вне помещения используйте специальный удлинительный шнур для наружных работ. Применение шнура, предназначенного для уличного использования, снижает опасность поражения электрическим током.
- Если неизбежно требуется применение электроинструмента во влажной среде, используйте источник питания, защищенный устройством защитного отключения (УЗО). Использование УЗО снижает риск поражения электрическим током.

### Личная безопасность

- При работе с электроинструментом будьте бдительны, следите за своими действиями и руководствуйтесь здравым смыслом. Не используйте электроинструмент, если вы устали или находитесь под воздействием наркотических средств, алкоголя или лекарств. Малейшая невнимательность может обернуться серьезными физическими травмами.
- Пользуйтесь средствами индивидуальной защиты. Всегда носите защитные очки. Средства индивидуальной защиты, такие как респиратор, нескользящая защитная обувь, каска или средства защиты органов слуха, существенно снижают риск получения травм.
- Примите меры по предотвращению случайного включения электроинструмента. Перед подключением инструмента к источнику питания и/или блоку аккумуляторов, его подъемом или переноской убедитесь, что переключатель находится в выключенном положении. Не переносите электроинструменты, держа палец на переключателе, а также не подавайте питание на электроинструменты с включенным переключателем, т.к. это может привести к несчастному случаю.
- Уберите все гаечные и регулировочные ключи, прежде чем включать питание. Ключ, оставленный на движущейся части электроинструмента, может стать причиной травмы.

- **Не вытягивайте руки с устройством слишком далеко. Всегда сохраняйте равновесие и устойчиво ставьте ноги.** Это позволит лучше контролировать электроинструмент в случае возникновения непредвиденной ситуации.
- **Надевайте соответствующую одежду. Не надевайте свободную одежду или украшения. Не допускайте попадания волос и одежды в движущиеся части инструмента.** Свободная одежда, украшения или длинные волосы могут попасть в движущиеся части.
- **Если инструмент оборудован дополнительными устройствами для сбора и удаления пыли, убедитесь, что они подключены и используются надлежащим образом.** Такие устройства способствуют снижению опасностей, связанных с наличием пыли.
- **Не допускайте, чтобы чувство уверенности, приобретенное вследствие частого управления изделием, позволило вам забыть об опасностях и игнорировать принципы обеспечения безопасности.** Неосторожные действия могут привести к тяжелой травме за долю секунды.

## Эксплуатация и обслуживание электроинструмента

- **Не перегружайте электроинструмент. Убедитесь, что он предназначен для выполнения конкретной задачи.** Правильно подобранный электроинструмент лучше и надежнее справится с задачей, соответствующей его конструктивным характеристикам.
- **Не пользуйтесь электроинструментом, если переключатель не работает.** Такой инструмент представляет опасность и подлежит обязательному ремонту.
- **Прежде чем производить какую-либо настройку электроинструмента, заменяя его части или убирать его на хранение, отключите инструмент от источника питания и/или снимите блок аккумуляторов (если снимается).** Эти меры предосторожности позволяют исключить возможность случайного включения электроинструмента.
- **Храните неиспользуемые электроинструменты в недоступном для детей месте и не позволяйте работать с инструментом лицам, не ознакомленным с ним и с данными правилами техники безопасности.** Электроинструменты в руках неопытных пользователей являются источником опасности.
- **Выполните техническое обслуживание электроинструментов и принадлежностей. Регулярно проверяйте, не застревают ли движущиеся части и не смещаются ли они со своего нормального положения; все ли части исправны, а также другие условия, влияющие на работу электроинструмента. В случае обнаружения какой-либо неисправности устраните ее**

**перед использованием инструмента.** Многие несчастные случаи возникают из-за недостаточного тщательного ухода за электроинструментами.

- **Поддерживайте остроту и чистоту режущих инструментов.** Исправные режущие инструменты с острыми режущими краями меньше подвержены поломкам и более просты в управлении.
- **Используйте электроинструменты, принадлежности, наконечники и т.д. в соответствии с данными инструкциями, принимая во внимание условия работы и специфику выполняемой задачи.** Применение электроинструмента не по назначению может создать опасные ситуации.
- **Рукоятки и поверхности захвата должны быть сухими и чистыми, без следов масла и смазки.** Скользкие рукоятки и поверхности захвата препятствуют безопасному обращению и управлению инструментом в непредвиденных ситуациях.

## Эксплуатация и обслуживание аккумуляторного инструмента

- **Выполняйте зарядку только с помощью зарядного устройства, указанного производителем.** Зарядное устройство, подходящее для одного типа аккумуляторного блока, может создать опасность возгорания при использовании с аккумуляторным блоком другого типа.
- **Используйте электроинструменты только с специально предназначенными аккумуляторными блоками.** Использование других аккумуляторных блоков может создать опасность травмы или возгорания.
- **Когда аккумуляторный блок не используется, храните его вдали от металлических предметов, таких как скрепки, монеты, ключи, гвозди, винты или иные мелкие предметы, которые могут замкнуть клеммы аккумулятора.** Замыкание клемм аккумулятора может привести к ожогам или пожару.
- **При неправильном обращении из аккумулятора может вытечь жидкость; избегайте контакта с вытекшей жидкостью.** При случайном контакте промойте место соприкосновения водой. При попадании жидкости в глаза обратитесь за медицинской помощью. Вытекшая из аккумулятора жидкость может привести к раздражению или ожогу.
- **Запрещается использовать аккумуляторный блок или инструмент, если они повреждены или модифицированы.** Поврежденные или подвергнутые модификации аккумуляторы могут работать неправильно, что приведет к возникновению пожара, взрыва или риску получения травм.
- **Не подвергайте аккумуляторный блок или инструмент воздействию огня или чрезмерно**

**высоких температур.** Воздействие огня или температуры выше 130 °C (266 °F) может привести к взрыву.

- **Точно следуйте всем инструкциям по зарядке и ни в коем случае не заряжайте аккумуляторный блок или инструмент при температуре, выходящей за пределы указанного в инструкция диапазона.** Ненадлежащая зарядка или зарядка при температуре выше или ниже указанного диапазона может привести к повреждению аккумулятора и повышенному риску пожара.

## Сервисное обслуживание

- **Сервисное обслуживание электроинструмента должны выполнять квалифицированные специалисты по ремонту оборудования с использованием только идентичных запчастей.** Это гарантирует сохранность электроинструмента.
- **Никогда не выполняйте обслуживание поврежденных блоков аккумуляторов.** Обслуживание аккумуляторов должно выполняться только производителем или специалистами уполномоченных сервисных центров.

## Предупреждения по технике безопасности при работе с триммером, травкосилкой и кусторезной пилой

- **Не используйте изделие в плохих погодных условиях, особенно если существует риск удара молнии.** Это позволяет уменьшить риск поражения молнией.
- **Внимательно осмотрите участок, где будет использоваться изделие, на наличие диких животных.** Во время работы изделие может травмировать диких животных.
- **Внимательно осмотрите место эксплуатации изделия, уберите все камни, палки, провода, кости и прочие посторонние предметы.** Отбрасываемые предметы могут стать причиной травмы.
- **Каждый раз перед эксплуатацией осматривайте режущее полотно или нож и соответствующие крепления на наличие повреждений.** Поврежденные детали повышают риск получения травмы.
- **Соблюдайте инструкции по замене принадлежностей.** Неправильная затяжка крепежных гаек или болтов ножа может стать причиной повреждения ножа или его отсоединения.
- **Номинальная частота вращения режущего полотна должна быть по крайней мере равна максимальной частоте вращения, указанной на изделии.** Вращение режущего полотна со скоростью, превышающей его номинальную частоту вращения, может привести к его поломке и разлетанию осколков.
- **Используйте средства защиты глаз, органов слуха, головы и рук.** Надлежащие средства защиты способствуют снижению риска получения травм из-за разлетающихся частиц или случайного контакта с кордом или ножом.
- **При работе с изделием всегда надевайте защитную обувь с нескользящей подошвой.** **Запрещается работать с изделием босиком или в открытых сандалиях.** Эта мера необходима для снижения вероятности получения травм ног от контакта с вращающимся режущим полотном, кордом или ножом.
- **При эксплуатации изделия обязательно надевайте длинные брюки.** Непокрытые участки тела подвержены большому риску получения травмы от отбрасываемых предметов.
- **Не допускайте приближения посторонних лиц к вам во время работы изделия.** Отбрасываемый мусор может привести к серьезным травмам.
- **Во время работы всегда держите изделие двумя руками.** Изделие требуется удерживать обеими руками во избежание потери управления.
- **Держите изделие только за изолированные поверхности, поскольку корд или нож может войти в контакт со скрытой электропроводкой.** При контакте корда или ножей с проводом, находящимся под напряжением, неизолированные металлические детали изделия также окажутся под напряжением и могут поразить оператора электрическим током.
- **При использовании изделия всегда сохраняйте устойчивое положение и работайте только стоя на земле.** Скользкие или неустойчивые поверхности могут привести к потере равновесия или контролю над изделием.
- **Запрещается использовать изделие на очень крутых склонах.** Это снижает риск потери управления, поскользвания и падения и, как следствие, получения травм.
- **При работе на склонах всегда сохраняйте устойчивое положение, перемещайтесь поперек склона, никогда не двигайтесь вверх или вниз и будьте предельно осторожны при изменении направления движения.** Это снижает риск потери управления, поскользвания и падения и, как следствие, получения травм.
- **Во время работы изделия держите все части тела на безопасном расстоянии от режущего полотна, корда или ножа.** **Перед запуском изделия убедитесь, что режущее полотно, корд или нож не касаются никаких предметов.** Малейшая невнимательность при работе с изделием может обернуться серьезными травмами оператора или окружающих.
- **Запрещается эксплуатировать изделие выше уровня пояса.** Это поможет предотвратить случайный контакт режущего полотна или ножа с предметами и обеспечит более надежное управление изделием в непредвиденных ситуациях.

- **При обрезке кустарника или молодых деревьев, ветки которых находятся в напряженном состоянии, будьте готовы к тому, что ветки могут отскочить.** Из-за внутреннего напряжения, накопленного в волокнах древесины, ветка кустарника или молодого дерева может ударить оператора и/или привести к потере контроля над изделием.
- **Соблюдайте предельную осторожность при обрезке кустарника и молодых деревьев.** Тонкие ветки могут быть захвачены ножом и отброшены в сторону оператора, из-за чего оператор может потерять равновесие.
- **Сохраняйте контроль над изделием и не прикасайтесь к режущему полотну, корду, ножам и другим опасным движущимся частям во время их работы.** Это снижает риск получения травм от движущихся частей.
- **Перед удалением застрявшего материала или обслуживанием изделия убедитесь, что все переключатели питания отключены и шнур питания отсоединен.** Непредвиденное включение изделия при удалении застрявшего материала или техобслуживании может привести к тяжелой травме.
- **Переносите изделие, предварительно выключив его и направляя в сторону от себя.** Надлежащее обращение с изделием уменьшает вероятность случайного контакта с движущимся режущим полотном, кордом или ножом.
- **При транспортировке или хранении изделия всегда надевайте чехол на режущие компоненты.** Надлежащее обращение с изделием уменьшает вероятность случайного контакта с ножом.
- **Используйте только сменные режущие полотна, корды, режущие головки и ножи, указанные производителем.** Установка неподходящих деталей при замене может повысить риск поломки и получения травм.

## Прочие правила техники безопасности

- Отключите изделие, прежде чем переносить его. Перед передачей изделия другому лицу всегда извлекайте аккумулятор.
- Кладите изделие на землю только после его отключения и извлечения аккумулятора. Ни в коем случае не оставляется включенное изделие без присмотра.
- После отключения изделия режущий инструмент останавливается не сразу.
- Перед началом эксплуатации изделия, а также после каких-либо нагрузок необходимо проверить его на наличие признаков износа или повреждений и при необходимости выполнить ремонт.
- Если в ходе эксплуатации изделия в режущем оборудовании застревает посторонний предмет, остановите и отключите изделие. Убедитесь, что режущее оборудование полностью остановилось. Перед проведением очистки, осмотра или ремонта изделия и/или режущего оборудования извлеките аккумулятор.
- Перед началом эксплуатации проверьте изделие. См. раздел *Защитные устройства на изделии на стр. 335* и *Техническое обслуживание на стр. 339*. Не используйте неисправное изделие. Проверьте состояние защитных устройств и проводите техобслуживание в соответствии с инструкциями настоящего руководства.
- Неисправное режущее оборудование увеличивает риск несчастных случаев.
- Проверьте редуктор на наличие загрязнений и трещин. Очистите редуктор от травы и листьев с помощью щетки. При необходимости наденьте перчатки.
- Вентиляционные отверстия ни в коем случае не должны быть засорены.
- Убедитесь, что триммерная головка надежно установлена на травокосилку.
- Перед началом работы необходимо установить все крышки, защитные кожухи и рукоятки.
- Убедитесь, что изделие находится в надлежащем рабочем состоянии. Проверьте надежность затяжки всех гаек и винтов.
- Проверьте триммерную головку и кожух на наличие повреждений и трещин. При наличии трещин или в случае удара триммерной головкой или кожуха их необходимо заменить. Всегда пользуйтесь рекомендуемой защитой для каждого типа режущего оборудования. См. раздел *Принадлежности на стр. 343*.
- Изделие представляет опасность при небрежном или неправильном обращении. Изделие может стать причиной тяжелой травмы или смерти оператора и окружающих.
- Данное оборудование не предназначено для использования лицами (включая детей) с ограниченными физическими, сенсорными или умственными способностями, а также лицами с недостаточным опытом или знаниями. Данные лица могут работать с оборудованием только под присмотром людей, отвечающих за их безопасность, и после прохождения соответствующего инструктажа. Необходимо следить за тем, чтобы дети не играли с оборудованием.
- Никогда не позволяйте детям пользоваться изделием или находиться рядом с ним. Поскольку изделие легко запустить, это могут сделать дети, находящиеся без должного присмотра. Это создает риск получения тяжелых травм. Поэтому необходимо отсоединять аккумулятор, когда изделие остается без присмотра.
- Ни при каких обстоятельствах не позволяйте детям или иным лицам, не знакомым с правилами эксплуатации изделия и/или аккумулятора, работать с этим изделием или выполнять его техобслуживание.

- Храните оборудование в запираемом помещении, недоступном для детей и посторонних.
- Все время держите руки и ноги на безопасном расстоянии от зоны резки, особенно при включении двигателя.
- Не приближайте руки и ноги к режущему оборудованию, пока оно полностью не остановится после отключения изделия.
- Ни пользователь, ни другие лица не должны пытаться убирать срезанный материал при работающем изделии или вращающемся режущем оборудовании, т. к. это может привести к серьезным травмам.
- Помните, что именно вы — оператор — в случае аварии или непредвиденных обстоятельств несете ответственность за причинение вреда людям или ущербу их собственности.
- Ни при каких обстоятельствах не допускается внесение изменений в конструкцию изделия без разрешения производителя. Используйте только оригинальные принадлежности. Внесение неодобренных изменений и/или использование неразрешенных принадлежностей может привести к тяжелой травме или смерти оператора или других лиц. Гарантия может не покрывать ущерб, возникший по причине использования неразрешенных принадлежностей или сменных деталей.
- Единственными принадлежностями, которые могут использоваться вместе с данным изделием, являются компоненты режущего оборудования, рекомендованные в разделе "Принадлежности". См. раздел *Принадлежности на стр. 343*.
- Запрещается пользоваться изделием, в конструкцию которого внесены какие-либо изменения.
- Запрещается пользоваться изделием при наличии неисправностей. Регулярно проверяйте состояние защитных приспособлений и проводите техобслуживание в соответствии с инструкциями настоящего руководства. Определенные работы по ремонту и обслуживанию должны выполняться обученными и квалифицированными специалистами. См. инструкции в разделе "Техническое обслуживание".
- Работа в плохую погоду сильно утомляет и часто создает дополнительные риски. В связи с возникающими дополнительными рисками не рекомендуется использовать изделие при неблагоприятных погодных условиях, например, в условиях плотного тумана, сильного дождя, порывистого ветра, низких температур, риска удара молнии и т. д.
- Ни в коем случае не работайте стоя на лестнице, стуле или любом другом незакрепленном предмете.
- Хранение оборудования в помещении — изделие, которое не используется в данный момент, следует хранить в помещении.
- Невозможно предвидеть все ситуации, с которыми вы можете столкнуться. Всегда соблюдайте осторожность и руководствуйтесь здравым смыслом. Не выполняйте работу, если вам кажется, что уровень вашей квалификации недостаточен. Если после изучения руководства у вас остались вопросы касательно эксплуатации изделия, прежде чем приступить к работе обратитесь за консультацией к специалисту.
- Следите за тем, чтобы во время работы в радиусе 15 метров от изделия не было людей и животных. Когда на одном и том же участке одновременно работают несколько операторов, безопасное расстояние между ними должно быть не менее 15 м. В противном случае существует риск получения серьезных травм. Если кто-нибудь подойдет ближе, немедленно остановите изделие. Никогда не поворачивайтесь с изделием, не посмотрев сначала назад и не убедившись, что в зоне риска никого нет.
- Следите за тем, чтобы люди, животные и посторонние предметы не могли помешать вам управлять изделием, а также исключите возможность их контакта с режущим оборудованием и предметами, отбрасываемыми режущим оборудованием. Использовать изделие в ситуации, в которой вы не сможете позвать на помощь при несчастном случае, запрещено.
- Убедитесь, что вы можете двигаться и стоять безопасно. Проверьте, нет ли вокруг вас возможных помех и препятствий (корней, камней, веток, ям и т. д.), на случай, если вам вдруг будет нужно быстро переместиться. Будьте особенно внимательны при работе на склонах.
- Во время эксплуатации изделия следует идти, ни в коем случае не бежать.
- Осмотрите рабочую зону. Уберите все свободно лежащие предметы, например, камни, разбитое стекло, гвозди, стальную проволоку, веревки и прочее, поскольку они могут быть отброшены или намотаны на режущее оборудование или его щиток.
- При работе следите за обрубками веток, которые могут быть отброшены в вашу сторону. Запрещается выполнять стрижку слишком близко к земле, поскольку при этом в вашу сторону могут быть отброшены камни и другие предметы.
- Следите за тем, чтобы при включении изделия одежда или части тела не соприкасались с режущим оборудованием. Держите изделие ниже пояса.
- Остерегайтесь отбрасываемых предметов. Всегда пользуйтесь рекомендованными средствами защиты глаз. Никогда не наклоняйтесь над кожаным режущим оборудованием. Камни, мусор и прочее могут

- попасть в глаза и привести к слепоте или тяжелым травмам.
- Когда на вас надеты защитные наушники, прислушивайтесь к сигналам тревоги или крикам. Всегда снимайте наушники сразу после остановки изделия.
- При возникновении излишней вибрации увеличьте длину режущей лески до необходимого значения постукиванием головки триммера о землю; вибрация должна исчезнуть.
- В случае необычной вибрации изделия остановите его и извлеките аккумулятор.
- Длительное воздействие вибрации может привести к нарушению кровообращения или расстройствам нервной системы у людей с нарушенным кровообращением. В случае появления симптомов перегрузки от вибрации следует обратиться к врачу. К таким симптомам относятся онемение, потеря чувствительности, ощущение щекотки и покалывания, боли, потеря силы или слабость, изменение цвета или состояния кожи. Как правило, подобные симптомы проявляются в пальцах, руках или запястьях.
- Всегда удерживайте изделие обеими руками. Держите изделие с правой стороны от себя.

## Средства индивидуальной защиты



**ПРЕДУПРЕЖДЕНИЕ:** В обязательном порядке прочитайте следующие инструкции по технике безопасности, прежде чем приступить к эксплуатации изделия.

- Каждый раз при работе с изделием следует использовать одобренные средства индивидуальной защиты. Средства индивидуальной защиты не могут полностью исключить риск получения травмы, но при несчастном случае они снижают тяжесть травмы. За помощью по правильному выбору оборудования обращайтесь к дилеру.
- Используйте защитный шлем в тех случаях, когда существует вероятность падения предметов.
- Следует пользоваться одобренными защитными наушниками с достаточным уровнем подавления шума. Продолжительное воздействие шума может повлечь неизлечимое ухудшение слуха.
- Используйте одобренные средства защиты глаз. При использовании защитной маски следует пользоваться также одобренными защитными очками. Под одобренными защитными очками подразумеваются очки, отвечающие требованиям стандарта ANSI Z87.1 для США или EN 166 для стран ЕС.
- Используйте маску для защиты лица. Для защиты глаз недостаточно использовать маску.

(Рис. 19)

- При необходимости надевайте перчатки, например, при закреплении, проверке или очистке режущего оборудования.
- Надевайте прочную обувь с нескользящей подошвой.
- Надевайте одежду из прочного материала. Всегда надевайте длинные прочные брюки и верхнюю одежду с длинными рукавами. Запрещается надевать свободную одежду, которая может зацепиться за ветви или кустарник. Не надевайте ювелирные украшения, шорты, сандалии и не ходите босиком. Зафиксируйте волосы выше уровня плеч.

(Рис. 20)

- Средства оказания первой помощи всегда должны быть под рукой.

(Рис. 21)

## Защитные устройства на изделии



**ПРЕДУПРЕЖДЕНИЕ:** В обязательном порядке прочитайте следующие инструкции по технике безопасности, прежде чем приступить к эксплуатации изделия.

В данном разделе рассматриваются защитные приспособления изделия и их назначение, а также приводятся проверки и процедуры технического обслуживания, которые необходимо проводить для обеспечения правильной работы изделия. См. раздел *Введение на стр. 328*, где описано расположение этих компонентов на изделии.

Срок службы изделия может быть сокращен, а риск несчастных случаев увеличен, если техническое обслуживание изделия не проводится надлежащим образом, а сервис и/или ремонт выполняются непрофессионалами. Дополнительную информацию можно получить в ближайшем сервисном центре.



**ПРЕДУПРЕЖДЕНИЕ:** Ни в коем случае не пользуйтесь изделием с поврежденными защитными приспособлениями. Техобслуживание и проверка защитных приспособлений должны выполняться в соответствии с инструкциями в данном разделе. Если в рамках этих проверок обнаружены неисправности изделия, обратитесь в сервисный центр для проведения ремонта.



**ВНИМАНИЕ:** Для обслуживания и ремонта изделия требуется специальная подготовка. Это в частности относится к защитным приспособлениям изделия. Если одна или несколько проверок, описанных ниже, не пройдены,

обратиться в сервисный центр. При приобретении любой нашей продукции вы получаете доступ к профессиональной помощи по ремонту и обслуживанию. Если изделие было приобретено у дилера, не имеющего сервисного центра, узнайте у дилера адрес ближайшего сервисного центра.

*Принадлежности на стр. 343.* Установка неправильного или неисправного щитка режущего оборудования может привести к тяжелой травме.

Щиток режущего оборудования предотвращает выброс предметов в сторону оператора. Он также позволяет избежать травм в случае соприкосновения оператора с режущим оборудованием.

1. Остановите изделие и извлеките аккумулятор.
2. Осмотрите на наличие повреждений, например, трещин. (Рис. 26)
3. Если щиток режущего оборудования поврежден, замените его.

## Головка триммера

- Всегда используйте подходящие головки триммера и режущее оборудование и рекомендованную режущую леску. См. раздел *Принадлежности на стр. 343* и информацию о сборке в конце данного руководства.
- Убедитесь, что резчик на щитке триммера не поврежден.
- Убедитесь, что режущая леска плотно и равномерно намотана на барабан во избежание нетипичной вибрации изделия. Использование лески различной длины может привести к нежелательной вибрации. Нажмите на триммерную головку, чтобы отрегулировать длину лески.

Для увеличения срока службы лески перед сборкой ее можно в течение 2 или более дней вымачивать в воде. В результате леска станет более прочной.

## Инструкции по технике безопасности во время сборки



**ПРЕДУПРЕЖДЕНИЕ:** Перед эксплуатацией изделия внимательно прочитайте, усвойте и следуйте данным инструкциям.

- Перед сборкой изделия извлеките из него аккумулятор.
- Используйте одобренные защитные перчатки.
- Поврежденный или неисправный кожух может стать причиной травм. Запрещается использовать режущее оборудование без установленного одобренного кожуха.
- Перед запуском изделия проверьте правильность установки кожуха и штанги.
- Ведущий диск и опорный фланец должны быть правильно совмещены с центральным отверстием режущего оборудования. Неправильная установка режущего оборудования может привести к травме или смерти.

## Проверка пользовательского интерфейса

1. Нажмите и удерживайте нажатой кнопку запуска/остановки (А).
  - a) Изделие включено, когда включается дисплей (В). (Рис. 22)
  - b) Изделие выключено, когда дисплей не горит.
2. Если на дисплее загорается или мигает предупреждающий индикатор, см. раздел *Пользовательский интерфейс на стр. 341*.

## Проверка предохранителя нажатия курка

Предохранитель нажатия курка препятствует случайному срабатыванию изделия. Чтобы разблокировать курок (С), переместите предохранитель вперед (А), а затем прижмите предохранитель к рукоятке (В). При отпускании рукоятки курок и предохранитель его нажатия возвращаются в исходное положение. Это перемещение осуществляется тремя независимыми пружинами. (Рис. 23)

1. Проверьте, чтобы курок был зафиксирован, когда его предохранитель находится в исходном положении. (Рис. 24)
2. Нажмите на курок и убедитесь, что он возвращается в исходное положение при отпускании. (Рис. 25)
3. Убедитесь, что курок и его предохранитель свободно перемещаются, а возвратная пружина работает надлежащим образом.
4. Запустите изделие, см. раздел *Запуск изделия на стр. 338*.
5. Включите полные обороты.
6. Отпустите курок и убедитесь, что режущее оборудование останавливается и остается неподвижным.

## Проверка щитка режущего оборудования



### **ПРЕДУПРЕЖДЕНИЕ:**

Запрещается использовать режущее оборудование без одобренного и правильно установленного щитка режущего оборудования. Всегда используйте щиток режущего оборудования, рекомендованный для используемого в данный момент режущего оборудования, см. раздел



- Если вместе с оборудованием поставляется оснастка, она должна быть надлежащим образом прикреплена к изделию. Оснастка повышает безопасность работы и предотвращает травмирование оператора и других людей.

## Инструкции по технике безопасности во время технического обслуживания



**ПРЕДУПРЕЖДЕНИЕ:** В обязательном порядке прочитайте следующие инструкции по технике безопасности, прежде чем приступить к техобслуживанию изделия.

- Перед сборкой изделия, проведением техобслуживания или иных проверок извлекайте из него аккумулятор.
- Оператор может выполнять только те работы по техническому и сервисному обслуживанию, которые описаны в данном руководстве по эксплуатации. Для проведения более сложных работ по техническому и сервисному

обслуживанию обращайтесь к своему дилеру по обслуживанию.

- Очистка аккумулятора или зарядного устройства водой запрещена. Использование сильного моющего средства может повредить пластмассу.
- При невыполнении работ по техобслуживанию срок службы изделия сокращается, а риск возникновения несчастных случаев увеличивается.
- Для выполнения любых работ по сервисному обслуживанию и ремонту, особенно защитных приспособлений изделия, необходимо пройти специальное обучение. Если после выполнения обслуживания при проведении проверок были выявлены неисправности, обратитесь к своему дилеру по обслуживанию. Мы гарантируем, что ремонт и обслуживание вашего изделия будут выполнять квалифицированные профессионалы.
- Используйте только оригинальные запчасти.
- При ремонте режущего оборудования в обязательном порядке надевайте высокопрочные перчатки. Ножи очень острые, они могут легко нанести раны.

## Сборка

### Сборка петельной рукоятки

1. Закрепите петельную рукоятку на штанге между стрелками. Не размещайте петельную рукоятку или подвесное кольцо на табличке. (Рис. 27)
2. Вставьте прокладку в выемку в петельной рукоятке.
3. Установите гайку, ручку и винт, не затягивайте их слишком сильно.
4. Отрегулируйте положение рукоятки, чтобы вам было комфортно пользоваться изделием.
5. Затяните болт.

### Установка режущего оборудования

Режущее оборудование включает в себя режущий инструмент и щиток режущего оборудования.



**ПРЕДУПРЕЖДЕНИЕ:** Используйте защитные перчатки.



**ПРЕДУПРЕЖДЕНИЕ:** Всегда используйте щиток, рекомендуемый для установленного типа режущего оборудования. См. раздел *Технические данные* на стр. 342.



### ПРЕДУПРЕЖДЕНИЕ:

Неправильная установка режущего оборудования может стать причиной травмы или смерти.

### Установка щитка режущего оборудования

1. Установите щиток режущего оборудования (А) на крючок держателя пластины (В). (Рис. 28)
2. Установите щиток режущего оборудования на штангу и затяните болт (С).

### Снятие щитка режущего оборудования

- Ослабьте болт (С) и снимите щиток режущего оборудования (А) со штанги. (Рис. 29)

### Сборка триммерных головок



### ПРЕДУПРЕЖДЕНИЕ:

При установке режущего оборудования крайне важно, чтобы поднятая часть ведущего диска/опорного фланца была правильно совмещена с центральным отверстием режущего оборудования. Неправильная установка режущего оборудования может привести к серьезным и/или смертельным травмам.



### **ПРЕДУПРЕЖДЕНИЕ:**

Категорически запрещается использовать режущее оборудование без рекомендованного кожуха. См. раздел *Принадлежности на стр. 343*. Установка неподходящего или поврежденного кожуха может привести к серьезной травме.

### **Установка головки триммера**

1. Наденьте на выходной вал ведущий диск (В).
2. Поворачивайте выходной вал до тех пор, пока одно из отверстий ведущего диска не совместится с соответствующим отверстием в корпусе редуктора.

3. Вставьте стопорный штифт (С) в отверстие, чтобы зафиксировать выходной вал.
4. Поверните головку триммера (Н) против часовой стрелки до фиксации. (Рис. 30)

### **Снятие головки триммера**

1. Вставьте стопорный штифт (С) в отверстие, чтобы зафиксировать выходной вал.
2. Поверните головку триммера (Н) по часовой стрелке, чтобы снять ее.
3. Снимите ведущий диск (В) с выходного вала. (Рис. 30)

## **Эксплуатация**

### **Введение**



**ПРЕДУПРЕЖДЕНИЕ:** Перед эксплуатацией изделия внимательно изучите раздел техники безопасности.

### **Подключение аккумулятора к изделию**



**ПРЕДУПРЕЖДЕНИЕ:** Используйте с данным изделием только оригинальные аккумуляторы Husqvarna.

1. Убедитесь, что аккумулятор полностью заряжен.
2. Вставьте аккумулятор в держатель аккумулятора на изделии. При фиксации аккумулятора на месте слышится щелчок. (Рис. 31)



**ВНИМАНИЕ:** Если аккумулятор не вставляется в держатель без усилий, аккумулятор установлен неправильно. Это может привести к повреждению изделия.

3. Убедитесь, что аккумулятор установлен правильно.

### **Рабочее положение**

- Держите изделие обеими руками.
- Держите изделие с правой стороны от тела.
- Режущее оборудование должно находиться ниже пояса.
- Не приближайте части тела к горячим поверхностям.
- Не приближайте части тела к режущему оборудованию.

### **Перед началом эксплуатации изделия**

- Проверьте рабочую зону, тип участка, наклон рельефа, наличие посторонних предметов, например, камней, веток и ям.
- Проведите тщательный осмотр изделия.
- Проведите проверку безопасности и процедуры технического и сервисного обслуживания, приведенные в данном руководстве.
- Проверьте правильность установки и целостность всех кожухов, щитков, рукояток и режущего оборудования.
- Осмотрите опорный фланец на наличие трещин. В случае повреждения опорного фланца замените его.

(Рис. 32)

- Осмотрите триммерную головку и щиток режущего оборудования на наличие повреждений и трещин. Если триммерная головка и щиток режущего оборудования повреждены или имеют трещины, замените их.

(Рис. 33)

### **Запуск изделия**

1. Нажмите и удерживайте нажатой кнопку запуска, пока не загорится зеленый светодиодный индикатор. (Рис. 34)
2. Используйте курок для управления скоростью.

### **Ограничение максимальной скорости с помощью кнопки выбора режима**

Изделие имеет кнопку выбора режима. С помощью кнопки выбора режима оператор может ограничить максимальную скорость. Кнопка выбора режима позволяет переключаться между 3 уровнями скорости. Более низкий уровень увеличивает время

работы изделия. Используйте уровень 1 и уровень 2, если для работы не требуется максимальная скорость/полная мощность. Если условия работы требуют использования максимальной скорости/полной мощности, выберите уровень 3. Не используйте уровень выше, чем необходимо для выполнения работы.

1. Нажмите кнопку выбора режима, чтобы установить ограничение максимальной скорости. При активации данной функции загорается белый светодиодный индикатор. (Рис. 35)
2. Нажмите кнопку выбора режима еще раз, чтобы выбрать следующий уровень скорости.

## Функция автоматической остановки

Изделие оснащено функцией отключения, которая выключает изделие, когда оно не используется.

## Триммерная стрижка газонов головкой триммера

### Подравнивание травы

1. Держите триммерную головку чуть выше земли под наклоном. (Рис. 36) Не прижимайте триммерный корд к траве.
2. При кошении травы вблизи предметов установите скорость на 80%. (Рис. 37)

### Кошение травы

1. При кошении травы держите триммерный корд параллельно земле. (Рис. 38)
2. Не прижимайте триммерную головку к земле. Это может привести к повреждению изделия и грунта.
3. Не допускайте постоянного контакта триммерной головки с землей, это может повредить триммерную головку.

4. Для скашивания травы перемещайте изделие из стороны в сторону на полной скорости. (Рис. 39) Убедитесь, что триммерный корд расположен параллельно земле.

## Уборка травы

Воздушный поток от вращающейся лески триммера можно использовать для очистки участка от скошенной травы.

1. Держите головку триммера вместе с леской параллельно земле, не касаясь ее.
2. Включите полные обороты.
3. Перемещайте триммер из стороны в сторону и очистите участок от скошенной травы.



**ПРЕДУПРЕЖДЕНИЕ:** Во избежание разбалансировки и вибраций на рукоятках каждый раз при установке новой лески триммера очищайте кожу головки триммера. Кроме того, проверяйте другие детали головки триммера и при необходимости очищайте их.

## Остановка изделия

1. Отпустите курок или предохранитель нажатия курка.
2. Нажмите кнопку остановки. (Рис. 34)
3. Нажмите кнопки извлечения аккумулятора и снимите аккумулятор с изделия. (Рис. 40)

# Техническое обслуживание

## Введение



**ПРЕДУПРЕЖДЕНИЕ:** Перед выполнением обслуживания прибора необходимо ознакомиться и понять раздел безопасности.



**ПРЕДУПРЕЖДЕНИЕ:** Перед проведением технического обслуживания извлеките аккумулятор.

Ниже приведен перечень обязательных работ по техническому обслуживанию изделия.

Техническое обслуживание	Еже-дневно	Еже-недельно	Еже-месячно
Очистите внешние детали изделия сухой тряпкой. Не используйте воду.	X		
Проверьте исправность и отсутствие повреждений кнопки запуска/остановки.	X		

Техническое обслуживание	Еже-дневно	Еже-дельно	Ежеме-сячно
Убедитесь, что курок и предохранитель нажатия курка работают надлежащим образом.	X		
Убедитесь, что все органы управления исправны и не повреждены.	X		
Рукоятки должны быть сухими и чистыми, без следов масла и смазки.	X		
Проверьте режущее оборудование на наличие повреждений. Если режущее оборудование повреждено, замените его.	X		
Проверьте кожух режущего оборудования или нож на наличие повреждений. Если кожух режущего оборудования или нож поврежден, замените его.	X		
Проверьте затяжку винтов и гаек.	X		
Убедитесь, что кнопки извлечения аккумулятора исправны и фиксируют аккумулятор в изделии.	X		
Проверьте аккумулятор на наличие повреждений.	X		
Убедитесь, что аккумулятор заряжен.	X		
Проверьте исправность и отсутствие повреждений зарядного устройства аккумулятора.	X		
Осмотрите все провода, муфты и соединения. Проверьте их на наличие повреждений или загрязнений.		X	
Убедитесь, что зубчатая передача правильно заполнена смазкой, см. <i>Смазка зубчатой передачи на стр. 340</i> . В противном случае используйте смазку для зубчатых передач Husqvarna.		X	
Проверьте соединения между аккумулятором и изделием. Проверьте соединение между аккумулятором и зарядным устройством.			X

## Очистка изделия, аккумулятора и зарядного устройства

1. После использования очистите изделие сухой тканью.
2. Очистите аккумулятор и зарядное устройство сухой тканью. Направляющие аккумулятора должны быть очищены от грязи.
3. Перед установкой аккумулятора в зарядное устройство или изделие убедитесь, что клеммы аккумулятора и зарядного устройства не загрязнены.

## Смазка зубчатой передачи

1. Снимите режущее оборудование.
2. Установите изделие с пробкой смазочного отверстия в крайнее верхнее положение.

3. Снимите пробку смазочного отверстия. (Рис. 41)
4. Посмотрите в смазочное отверстие и поверните приводной вал. Смазка (A) должна быть на одном уровне с верхней частью зубьев шестерни (B). (Рис. 42)
5. Если уровень смазки слишком низкий, заполните зубчатую передачу подходящей смазкой: Husqvarna. Медленно заливайте смазку для зубчатых передач, проворачивая при этом приводной вал, до надлежащего уровня (B).



**ВНИМАНИЕ:** Неправильное количество смазки может привести к повреждению зубчатой передачи.

6. Установите пробку смазочного отверстия.

## Поиск и устранение неисправностей

### Пользовательский интерфейс

Проблема	Возможные неисправности	Возможные действия
Светодиодный индикатор аккумулятора мигает оранжевым	Низкое напряжение аккумулятора.	Зарядите аккумулятор.
Светодиодный индикатор ошибки мигает красным	Перегрузка.	Режущее оборудование заклинено. Остановите изделие. Извлеките аккумулятор. Очистите режущее оборудование от посторонних материалов.
	Отклонение температуры.	Дайте изделию остыть.
	Курок и кнопка запуска нажимаются одновременно.	Отпустите курок, и изделие запустится.
Изделие не запускается	Разъемы аккумулятора загрязнены.	Очистите разъемы аккумулятора сжатым воздухом или мягкой щеткой.
Светодиодный индикатор ошибки горит красным	Требуется сервисное обслуживание изделия.	Обратитесь в сервисный центр.

## Транспортировка, хранение и утилизация

### Транспортировка и хранение

- Входящие в комплект литий-ионные аккумуляторы соответствуют требованиям законодательства в отношении опасных товаров.
- Соблюдайте особые требования к упаковке и этикеткам для коммерческих перевозок, в том числе третьими лицами и экспедиторами.
- Перед отправкой/транспортировкой изделия обратитесь к человеку, прошедшему специальную подготовку по работе с опасными материалами. Соблюдайте все применимые государственные нормативы.
- При помещении аккумулятора в упаковку заклейте лентой открытые контакты. Плотной упакуйте аккумулятор для предотвращения его движения.
- Перед хранением или транспортировкой аккумулятора необходимо извлекать из изделия.
- Храните аккумулятор и зарядное устройство в сухом помещении, не подверженном воздействию влаги и низких температур.
- Не допускается хранение аккумулятора в местах, где возможно возникновение статического электричества. Нельзя хранить аккумулятор в металлической коробке.
- Храните аккумулятор при температуре в диапазоне 5-25 °C / 41-77 °F, вдали от прямых солнечных лучей.
- Храните зарядное устройство для аккумулятора при температуре в диапазоне 5-45 °C / 41-113 °F, вдали от прямых солнечных лучей.
- Используйте зарядное устройство только при температуре окружающей среды в диапазоне 5-40 °C / 41-104 °F.
- Перед помещением аккумулятора на длительное хранение зарядите его до 30-50%.
- Храните зарядное устройство в сухом закрытом помещении.
- Храните аккумулятор отдельно от зарядного устройства. Не позволяйте притрагиваться к оборудованию детям и другим лицам, не имеющим соответствующего разрешения. Храните оборудование в месте, которое можно запереть.
- Перед помещением изделия на длительное хранение очистите его от загрязнений и проведите полное обслуживание.
- Во избежание травм или повреждений во время транспортировки и хранения изделия используйте транспортировочные щитки.
- Надежно закрепляйте изделие на время транспортировки.

## Утилизация аккумулятора, зарядного устройства и изделия

Символы на изделии или упаковке изделия указывают на то, что изделие запрещается утилизировать как бытовые отходы. Изделие необходимо передать в пункт переработки

электрического и электронного оборудования. Это поможет предотвратить отрицательное воздействие на окружающую среду и здоровье людей.

Свяжитесь с местными органами власти, службой по утилизации бытовых отходов или дилером для получения дополнительной информации о том, как направить изделие на вторичную переработку.

---

## Технические данные

---

### Технические данные

	<b>325iL</b>
<b>Электродвигатель</b>	
Тип двигателя	BLDC (бесщеточный, постоянного тока), 36 В
Частота вращения выходного вала, об/мин	5800
Ширина кошения, мм	420
<b>Вес</b>	
Вес без аккумулятора и режущего оборудования, кг	3,0
<b>Излучение шума</b> <sup>64</sup>	
Уровень мощности звука, измеренный, дБ(А)	93
Уровень мощности звука, гарантированный, L <sub>WA</sub> , дБ(А)	96
<b>Уровни шума</b> <sup>65</sup>	
Эквивалентный уровень звукового давления на уровне уха пользователя, измеренный согласно ISO 22868, дБ(А):	
С триммерной головкой (оригинальной)	84
<b>Уровни вибрации</b> <sup>66</sup>	
Уровни вибрации на рукоятках, измерены согласно ISO 22867, м/с <sup>2</sup>	
С триммерной головкой (оригинальной), спереди / сзади, м/с <sup>2</sup>	4,3 / 2,9

<sup>64</sup> Излучение шума в окружающую среду измеряется как мощность звука (LWA) согласно директиве ЕС 2000/14/ЕС. Указанный уровень мощности звука для изделия измерен с оригинальным режущим оборудованием, создающим самый высокий уровень шума. Разница между гарантированной и измеренной мощностью звука заключается в том, что гарантированная мощность звука включает результаты измерений как диапазон и их отклонение для изделий одной и той же модели согласно директиве 2000/14/ЕС.

<sup>65</sup> Указанные данные об уровне звукового давления изделия имеют типичный статистический разброс (стандартное отклонение) 3 дБ(А) и были измерены с оригинальным оборудованием, дающим самый высокий уровень шума.

<sup>66</sup> Указанные данные об уровне вибрации имеют типичный статистический разброс (стандартное отклонение) 2 м/с<sup>2</sup>. Для сравнения уровней вибрации изделий с аккумулятором и ДВС используйте калькулятор вибрации: <https://www.husqvarna.com/uk/services-solutions/vibration-calculator/>.

## Рекомендованные аккумуляторы

<b>Аккумулятор</b>	<b>BLi 200</b>
Тип	Литий-ионный
Емкость аккумулятора, А·ч	5,2
Номинальное напряжение, В	36
Масса, кг (фунт)	1,3 (2,9)

## Рекомендованные зарядные устройства

<b>Зарядное устройство</b>	<b>QC330</b>
Входное напряжение, В	100-240
Частота, Гц	50-60
Мощность, Вт	330

---

## Принадлежности

---

### Принадлежности

Одобрённые принадлежности	Тип принадлежности	Кожух режущего оборудования, артикул
Центральное отверстие в лезвиях/ножах, Ø 25,4 мм		
Резьба выходного вала M10		
Триммерная головка	T35 (витой триммерный корд Whisper, макс. Ø 2,4 мм)	597 01 62-02

# Декларация о соответствии

## Декларация соответствия требованиям ЕС

Мы, компания **Husqvarna AB**, SE-561 82  
Husqvarna, Швеция, тел.: +46-36-146500, с полной  
ответственностью заявляем, что изделие:

<b>Описание</b>	Аккумуляторный триммер
<b>Марка</b>	Husqvarna
<b>Тип / Модель</b>	325iL
<b>Идентификация</b>	Серийные номера начиная с 2023 года и далее

полностью соответствует следующим директивам и  
нормативам ЕС:

<b>Директива/Норма- тив</b>	<b>Описание</b>
2006/42/EC	"О механическом оборудовании"
2014/30/EMC	"Об электромагнитной совместимости"
2011/65/EU	"Об ограничении содержания вредных веществ"
2000/14/EC	"Об излучении шума от оборудования, размещенного вне помещения"

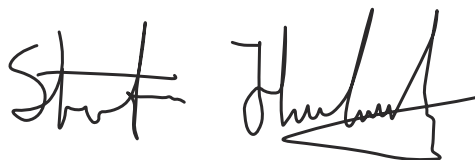
а также требованиям следующих стандартов  
и/или технических регламентов: EN 62841-1:2015/  
AC:2015, EN 62841-4-4 (IEC 62841-4-4:2020),  
EN 61000-6-1:2007 (Immunity), EN 61000-6-3:2007/  
A1:2011/AC:2012 (Emission).

Организация RISE SMP Svensk Maskinprovning AB,  
Box 4053, SE-904 03 Umeå, Sweden осуществила  
добровольную типовую проверку в соответствии  
с приложением IX Директивы 2006/42/EC. №  
сертификата: SEC/23/2579.

Notified body: 0404, RISE SMP Svensk Maskinprovning  
AB, Box 4053, SE-904 03 Umeå, Sweden также  
заверила соответствие приложению VI Директивы  
совета 2000/14/EC.

Информацию по излучению шума см. в разделе  
*Технические данные на стр. 342.*

Husqvarna, 2022-12-01



Стефан Холмберг (Stefan Holmberg), директор  
отдела разработок, управление технологиями,  
Husqvarna AB

Ответственный за техническую документацию

141400, Московская обл., Г. Химки, ул. Ленинградская,  
владение 39, строение 6, здание II этаж 4,  
помещение OB02\_04,  
телефон горячей линии 8-800-200-1689





---

## Obsah

---

Úvod.....	345	Preprava, skladovanie a likvidácia.....	356
Bezpečnosť.....	346	Technické údaje.....	357
Montáž.....	352	Príslušenstvo.....	358
Prevádzka.....	353	Vyhľadanie o zhode.....	359
Údržba.....	354	Príloha .....	447
Riešenie problémov.....	355		

---

## Úvod

---

### Popis výrobku

Husqvarna 325iL je akumulátorový vyžínač na trávu s elektrickým motorom.

Neustále pracujeme na tom, aby sme zabezpečili vyššiu bezpečnosť a efektívnosť počas prevádzky. Ak potrebujete ďalšie informácie, obráťte sa na servisného predajcu.

### Plánované použitie

Výrobok používajte s vyžínačovou hlavou na kosenie rôznych druhov rastlín. Výrobok nepoužívajte na iné účely ako vyžínanie či kosenie trávnatého porastu.

### Prehľad výrobku

(Obr. 1)

1. Návod na obsluhu
2. Kuželové ozubené koleso
3. Otvor na poistný kolík
4. Vyžínačová hlava
5. Kryt rezacieho nadstavca
6. Hnací disk
7. Kombinovaný kľúč
8. Oblúková rukoväť
9. Ovládací gombík
10. Hriadeľ
11. Poistný kolík
12. Výstražná LED kontrolka
13. Štartovacie/vypínacie tlačidlo
14. Tlačidlo režimu otáčok
15. Blokovanie páčky vypínača
16. Používateľské rozhranie
17. Spúšťač
18. Kábel nabíjačky batérie
19. Nabíjačka batérie
20. Indikátor LED zapnutia napájania a výstražný indikátor LED
21. Tlačidlá uvoľnenia akumulátora
22. Batéria
23. Indikátor LED stavu nabitia
24. Výstražný indikátor LED

**Poznámka:** Použitie môže byť regulované vnútroštátnymi alebo miestnymi predpismi. V súlade s danými predpismi.

---

S výrobkom používajte iba príslušenstvo schválené výrobcom. Pozrite si časť *Príslušenstvo na strane 358*.

25. Tlačidlo indikátora batérie

### Symbole na výrobku

(Obr. 2) UPOZORNENIE! Tento výrobok môže byť nebezpečný! Ak sa používa neopatrne alebo nesprávne, môže spôsobiť vážne až smrteľné zranenia obsluhu alebo iným osobám. Je mimoriadne dôležité, aby ste si prečítali návod na obsluhu a aby ste rozumeli jeho obsahu. Pred použitím výrobku si pozorne prečítajte návod na obsluhu a uistite sa, že rozumiete uvedeným pokynom.

(Obr. 3) Používajte schválené chrániče sluchu. Používajte schválené chrániče očí.

(Obr. 4) Maximálna rýchlosť alebo rýchlosť bez zátaze.

XXXX /min  
alebo min<sup>-1</sup> | Otáčky alebo vratné pohyby za minútu.

(Obr. 5) Menovité napätie, V

(Obr. 6) Jednosmerný prúd.

- (Obr. 7) Tento výrobok je v súlade s príslušnými smernicami ES.
- (Obr. 8) Tento výrobok je v súlade s príslušnými právnymi predpismi Spojeného kráľovstva.
- (Obr. 9) Používajte schválené ochranné rukavice.
- (Obr. 10) Používajte odolné protišmykové topánky.
- (Obr. 11) Používajte iba nekovový pružný rezací nadstavec.
- (Obr. 12) Symboly na výrobku alebo na jeho obale označujú, že sa tento výrobok nesmie likvidovať ako domáci odpad. Tento produkt sa musí odovzdať v príslušnom zariadení na recykláciu.
- (Obr. 13) Nadstavec môže odhodit' predmety, ktoré sa môžu odraziť späť. Ak sa nepoužíva odporúčané bezpečnostné vybavenie, môže to spôsobiť vážne poranenia očí.
- (Obr. 14) Pred vykonávaním údržby odpojte batériu.
- (Obr. 15) Výrobok je vybavený ochranou proti striekajúcej vode.
- (Obr. 16) Všetky časti tela udržiavajte mimo horúcich plôch.
- (Obr. 17) Označenie týkajúce sa emisie hluku do okolia podľa smerníc a nariadení EÚ a Veľkej Británie a legislatívy štátu Nový Južný Wales „Protection of the Environment Operations (Noise Control) Regulation 2017“ (Nariadenie o ochrane životného prostredia pri prevádzke (kontrola hluku) z roku 2017). Garantovaná hladina akustického výkonu produktu je uvedená v *Technické údaje na strane 357*.

rrrtboox

Výkonový štítok udáva výrobné číslo. **yyyy** je rok výroby, **ww** je týždeň výroby a **xxxx** je poradové číslo.

(Obr. 18)

Operátor musí zabezpečiť, aby sa žiadni ľudia alebo zvieratá nedostali bližšie ako 15 metrov od výrobku. Ak v rovnakom priestore pracuje niekoľko operátorov, bezpečná vzdialenosť medzi nimi musí byť minimálne 15 metrov.

**Poznámka:** Ostatné symboly/štítky na výrobku odkazujú na požiadavky certifikácie pre iné komerčné oblasti.

## Poškodenie výrobku

Nie sme zodpovední za škody na našom výrobku v prípade:

- nesprávne vykonanej opravy výrobku,
- opravy výrobku, pri ktorej neboli použité diely od výrobcu alebo diely schválené výrobcom,
- používania príslušenstva od iného výrobcu alebo príslušenstva, ktoré nie je schválené výrobcom,
- opravy výrobku, ktoré neboli vykonané v schválenom servisnom stredisku alebo schválenými kompetentnými osobami.

## Bezpečnosť

### Bezpečnostné definície

Výstrahy, upozornenia a poznámky slúžia na zdôraznenie mimoriadne dôležitých častí návodu.



**VÝSTRAHA:** Používa sa, ak pre obsluhu alebo osoby v okolí existuje nebezpečenstvo poranenia alebo smrti v prípade nedodržania pokynov v návode.



**VAROVANIE:** Používa sa, ak hrozí nebezpečenstvo poškodenia produktu, iných materiálov alebo okolitej oblasti v prípade nedodržania pokynov v návode.

**Poznámka:** Používa sa na poskytnutie informácií nad rámec nevyhnutných informácií v danej situácii.

### Všeobecné bezpečnostné upozornenie pre elektrické nástroje



**VÝSTRAHA:** **Prečítajte si všetky bezpečnostné upozornenia, pokyny a pozrite si ilustrácie a uvedené technické údaje tohto elektrického nástroja.** Nedodržanie všetkých nižšie uvedených pokynov môže spôsobiť zásah elektrickým prúdom, požiar alebo ťažké zranenia.

- **Uchovajte si všetky upozornenia a pokyny pre budúce použitie.** Výraz „elektrický nástroj“ v upozorneniach označuje elektrický nástroj napájaný z elektrickej siete (s káblom) alebo napájaný z batérie (bez kábla).

## Bezpečnosť na pracovisku

- **Udržiavajte pracovisko v čistote a dobre osvetlené.** Neporiadok alebo nedostatočné osvetlenie spôsobujú nehody.
- **Nepoužívajte elektrické nástroje vo výbušnom ovzduší, napríklad v prítomnosti horľavých kvapalín, plynov alebo prachu.** Elektrické nástroje vytvárajú iskry, ktoré môžu vznietiť prach alebo výpary.
- **Pri používaní elektrického nástroja zabráňte deťom a okoloidúcim, aby sa zdržiavali vo vašej blízkosti.** Rušivé podnety môžu spôsobiť stratu kontroly.

## Elektrická bezpečnosť

- **Parametre elektrických nástrojov sa musia zhodovať s parametrami napájacej zásuvky.** Nikdy a žiadnym spôsobom nemodifikujte elektrickú zástrčku. S uzemnenými elektrickými nástrojmi nepoužívajte žiadne adaptérové zástrčky. Ak sa zástrčky neupravujú a používajú sa zodpovedajúce zásuvky, zníži sa riziko úrazu elektrickým prúdom.
- **Zabráňte kontaktu tela s uzemnenými povrchmi, ako sú rúry, radiátory, sporáky a chladničky.** Riziko úrazu elektrickým prúdom je vyššie, ak je vaše telo uzemnené.
- **Nevystavujte elektrické nástroje dažďu alebo vlhkým podmienkam.** Voda vnikajúca do elektrického náradia zvýši riziko úrazu elektrickým prúdom.
- **Nepoužívajte kábel nesprávnym spôsobom.** Nikdy nepoužívajte kábel na nosenie, ťahanie alebo odpájanie elektrického náradia. Chráňte snúru pred horúčavou, olejom, ostrými hranami alebo pohybujúcimi sa dielcami. Poškodené alebo zamotané káble zvyšujú riziko úrazu elektrickým prúdom.
- **Pri práci s elektrickým náradím vonku používajte predlžovací kábel vhodný na vonkajšie použitie.** Používanie predlžovacej snúry určenej do vonkajšieho prostredia znižuje riziko zásahu elektrickým prúdom.
- **Ak je nevyhnutné použiť elektrický nástroj vo vlhkom prostredí, na napájanie nástroja použite vedenie vybavené prúdovým chráničom (RCD).** Použitie prúdového chrániča znižuje riziko úrazu elektrickým prúdom.

## Osobná bezpečnosť

- **Buďte pozorní, sledujte, čo robíte, a pri používaní elektrického nástroja postupujte rozumne.** Nepoužívajte elektrický nástroj, keď ste unavení alebo pod vplyvom drog, alkoholu alebo liekov. Chvilka nepozornosti pri používaní elektrických nástrojov môže spôsobiť vážny úraz.
- **Používajte osobné ochranné pomôcky.** Vždy noste ochranné prostriedky očí. Ochranné vybavenie, ako

sú napríklad masky proti prachu, bezpečnostné topánky s protišmykovou podrážkou, prilby alebo chrániče sluchu použité vo vhodných prípadoch znižujú počet osobných poranení.

- **Zabráňte neúmyselnému spusteniu zariadenia. Pred pripojením k elektrickej sieti alebo akumulátoru overte zdvihnutím alebo prenesením nástroja, či je vypínač vo vypnutej polohe.** Prenásanie elektrických nástrojov s prstom na vypínači alebo pripojenie napájania k nástrojom, ktoré majú vypínač zapnutý, zvyšuje riziko nehôd.
- **Pred zapnutím elektrického nástroja vyberte nastavovací kľúč alebo kľúč na matice.** Kľúč nasadený na otáčajúcu sa časť elektrického nástroja môže spôsobiť úraz.
- **Nenaťahujte sa príliš ďaleko. Vždy si udržiavajte rovnováhu a správny postoj.** To umožňuje lepšie ovládanie elektrického nástroja v neočakávaných situáciách.
- **Vhodne sa oblečte. Nenoste voľné oblečenie alebo šperky. Udržujte svoje vlasy a oblečenie mimo dosahu pohyblivých častí.** Voľné oblečenie, šperky alebo dlhé vlasy sa môžu zachytiť v pohyblivých častiach.
- **Ak je možné pripojiť zariadenia na odsávanie a zber prachu, overte, či sú tieto zariadenia pripojené a či sa správne používajú.** Používanie zberača prachu môže obmedziť nebezpečenstvá týkajúce sa prachu.
- **Nedovoľte, aby vás skúsenosti získané časťom používaním nástrojov uspokojili, a ignorovali by ste bezpečnostné pravidlá pri používaní nástroja.** Neopatrné konanie môže v zlomku sekundy spôsobiť vážne poranenie.

## Používanie a starostlivosť o elektrické náradie

- **Nepoužívajte elektrický nástroj násilím. Používajte správny elektrický nástroj na dané použitie.** Správny elektrický nástroj vykoná prácu lepšie a bezpečnejšie pri rýchlosti, na akú je určený.
- **Nepoužívajte elektrický nástroj, ak sa nedá zapnúť a vypnúť vypínačom.** Akýkoľvek elektrický nástroj, ktorý sa nedá ovládať vypínačom, je nebezpečný a musí sa opraviť.
- **Pred akýmkoľvek nastavením, výmenou príslušenstva alebo skladovaním elektrického nástroja odpojte zástrčku od zdroja napájania alebo vyberte akumulátor z elektrického nástroja, ak je vyberateľný.** Takéto preventívne bezpečnostné opatrenia znižujú riziko náhodného spustenia elektrického nástroja.
- **Nepoužívané elektrické nástroje udržiavajte mimo dosahu detí a nedovoľte osobám, ktoré nepoznajú elektrické nástroje alebo tieto pokyny, aby elektrický nástroj používali.** Elektrické nástroje sú nebezpečné v rukách neskusených používateľov.
- **Vykonnávajte údržbu elektrického náradia a príslušenstva. Skontrolujte vychýlenie alebo ohnutie pohyblivých častí, nalomenie častí alebo akékoľvek iné poškodenie, ktoré môže ovplyvniť prevádzku elektrického nástroja. Ak je elektrický nástroj**

**poškodený, dajte ho pred použitím opraviť.** Mnoho nehôd je spôsobených nedostatočne udržiavanými elektrickými nástrojmi.

- **Rezacie nástroje udržiavajte nabrúsené a v čistote.** Správne udržiavané rezacie nástroje s ostrými hranami sú menej náchylné na ohnutie a ľahšie sa ovládajú.
- **Používajte elektrický nástroj, príslušenstvo a diely nástroja atď. v súlade s týmito pokynmi, pričom vezmite do úvahy pracovné podmienky a typ vykonávanej práce.** Používanie elektrického náradia na iné ako určené účely môže vyvolať nebezpečnú situáciu.
- **Rukoväti a úchytné povrchy udržiavajte suché, čisté a neznečistené olejom a mazivom.** Šmyklivé rukoväti a povrchy na uchopenie neumožňujú bezpečnú manipuláciu a ovládanie nástroja v nečakaných situáciách.

### **Používanie nástroja napájaného akumulátorom a starostlivosť oň**

- **Nabíjajte iba pomocou nabíjačky špecifikovanej výrobcom.** Nabíjačka, ktorá je vhodná pre jeden typ akumulátora, môže pri použití s iným akumulátorom predstavovať nebezpečenstvo požiaru.
- **Elektrické nástroje používajte iba so špecificky označenými akumulátormi.** Pri použití akéhokoľvek iného akumulátora môže hroziť nebezpečenstvo poranenia a požiaru.
- **Keď sa akumulátor nepoužíva, udržiajte ho mimo dosahu kovových predmetov, ako sú spony na papier, mince, kľúče, klince, skrutky alebo iné drobné kovové predmety, ktoré môžu vytvoriť spoj medzi svorkami.** Skratovanie svoriek akumulátora môže spôsobiť popáleniny alebo požiar.
- **Pri neopatrnom zaobchádzaní môže z akumulátora uniknúť tekutina. Nedotýkajte sa jej. V prípade náhodného kontaktu umyte postihnuté miesto vodou. Ak sa dostane kvapalina z akumulátora do očí, vyhľadajte aj lekársku pomoc.** Kvapalina vystrekujúca z akumulátora môže spôsobiť podráždenie alebo popáleniny.
- **Nepoužívajte poškodený alebo upravený akumulátor alebo nástroj.** Poškodené alebo upravené akumulátory môžu mať za následok nepredvídateľné fungovanie a spôsobiť požiar, výbuch alebo predstavovať nebezpečenstvo poranenia.
- **Akumulátor alebo nástroj nevystavujte ohňu alebo nadmerne vysokým teplotám.** Pri vystavení ohňu alebo teplote nad 130 °C (266 °F) môže dôjsť k výbuchu.
- **Dodržiavajte všetky pokyny na nabíjanie a pri nabíjaní nevystavujte akumulátor alebo nástroj teplotám, ktoré sú mimo teplotného rozsahu uvedeného v pokynoch.** Pri nesprávnom nabíjaní alebo pri vonkajších teplotách mimo uvedeného rozsahu hrozí poškodenie akumulátora a zvyšuje sa nebezpečenstvo požiaru.

### **Servis**

- **Elektrické náradie zverte do opravy iba kvalifikovanému odborníkovi a používajte iba originálne náhradné súčiastky.** Tým sa zaistí zachovanie bezpečnosti elektrického nástroja.
- **Poškodené akumulátory nikdy neservisujte sami.** Servis akumulátorov smie vykonávať len výrobca alebo autorizovaný servis.

### **Bezpečnostné upozornenia pre vyžinač tráv, krovínorez a pílu na kroviny**

- **Zariadenie nepoužívajte počas nepriaznivých poveternostných podmienok, najmä ak hrozí riziko bleskov.** Zníži sa tým riziko zasiahnutia bleskom.
- **Skontrolujte, či sa v priestore, kde sa má zariadenie používať, nenachádzajú voľne žijúce živočíchy.** Počas prevádzky zariadenia môže dôjsť k zraneniu voľne žijúcich živočíchov.
- **Pozorne skontrolujte priestor, v ktorom sa bude zariadenie používať, a odstráňte všetky kamene, konáre, káble, kosti a iné cudzie predmety.** Vymrštené predmety môžu spôsobiť poranenie osôb.
- **Pred používaním zariadenia vždy vizuálne skontrolujte, či nie sú rezný nástroj alebo nôž a rezný nástroj alebo zostava noža poškodené.** Poškodené diely zvyšujú riziko poranenia.
- **Pri výmene príslušenstva sa riadte pokynmi.** Nesprávne utiahnuté upevňovacie matice alebo skrutky noža môžu poškodiť nôž alebo spôsobiť jeho uvoľnenie.
- **Menovitá rýchlosť otáčania rezného nástroja sa musí minimálne rovnať maximálnej rýchlosti otáčania vyznačenej na zariadení.** Rezné nástroje pohybujúce sa rýchlejšie ako je ich menovitá rýchlosť otáčania sa môže zlomiť a rozpadnúť.
- **Noste ochranu očí, uší, hlavy a rúk.** Vhodné ochranné vybavenie obmedzí zranenia spôsobené lietajúcimi úlomkami alebo náhodným kontaktom so žacím lankom alebo nožom.
- **Počas prevádzky stroja vždy noste protišmykovú ochrannú obuv. Ak ste bosí alebo máte obuté otvorené sandále, toto zariadenie nepoužívajte.** Zníži sa tým riziko poranenia chodidiel kontaktom s pohybujúcim sa rezným nástrojom, lankom alebo nožom.
- **Pri práci so zariadením vždy noste dlhé nohavice.** Odhalená pokožka zvyšuje pravdepodobnosť poranenia vymrštenými predmetmi.
- **Počas používania zariadenia nedovoľte okolostojacim približovať sa.** Vymrštené úlomky môžu mať za následok vážne zranenie.
- **Pri používaní držte zariadenie vždy oboma rukami.** Držaním zariadenia oboma rukami sa vyhnete strate kontroly nad ním.
- **Zariadenie držte iba za izolovanú časť určenú na držanie, pretože žacie lanko alebo nôž sa môžu dostať do kontaktu so skrytými káblami.** Žacie lanko alebo nože, ktorý príde do styku s vodičom pod

- napätím, môže viesť pod napätie exponované kovové časti zariadenia a môže používateľovi spôsobiť úraz elektrickým prúdom.
- **Vždy udržiajte správny postoj a zariadenie obsluhujte iba vtedy, keď stojíte na zemi.** Klzké alebo nestabilné povrchy môžu spôsobiť stratu rovnováhy alebo kontroly nad zariadením.
  - **Zariadenie nepoužívajte na nadmerne strmých svahoch.** Znižuje sa tým riziko straty kontroly, pošmyknutia, spadnutia a následného zranenia.
  - **Pri práci na svahoch vždy dbajte na to, aby ste mali pevné postavenie, vždy pracujte naprieč svahom, nikdy smerom nahor alebo nadol a buďte mimoriadne opatrní pri zmene smeru.** Znižuje sa tým riziko straty kontroly, pošmyknutia, spadnutia a následného zranenia.
  - **Keď je zariadenie v prevádzke, držte všetky časti tela mimo dosahu rezného nástroja, lanka alebo noža. Pred spustením zariadenia sa uistite, že sa rezný nástroj, lanko alebo nôž ničoho nedotýkajú.** Chvilka nepozornosti pri obsluhu zariadenia môže viesť k zraneniu vás alebo iných osôb.
  - **Zariadenie nepoužívajte nad výškou pása.** Pomôže to zabrániť neúmyselnému kontaktu rezného nástroja alebo noža a umožňuje to lepšiu kontrolu nad zariadením v neočakávaných situáciách.
  - **Pri rezaní kríkov a mladých stromov, ktoré sú napnuté, dávajte pozor na ich vymrštenie.** Keď sa uvoľní napnutie vo vláknach dreva, kríky alebo mladé stromy môžu zasiahnuť používateľa a/alebo neovládateľne odhodíť zariadenie.
  - **Mimoriadny pozor dávajte pri rezaní krovín a mladých stromov.** Pružný materiál môže nôž zachytiť a vymrštiť smerom k vám alebo spôsobiť stratu rovnováhy.
  - **Udržujte zariadenie pod kontrolou a nedotýkajte sa rezných nástrojov, laniek a nožov ani iných nebezpečných pohyblivých častí, keď sú stále v pohybe.** Znižuje sa tým riziko poranenia pohyblivými časťami.
  - **Pri odstraňovaní zaseknutého materiálu alebo pri údržbe zariadenia sa uistite, že sú všetky vypínače vypnuté a či je odpojený napájací kábel.** Neočakávané uvedenie zariadenia do činnosti v priebehu odstraňovania zachyteného materiálu alebo vykonávania servisu môže spôsobiť vážne poranenie.
  - **Zariadenie prenášajte vypnuté a mimo tela.** Správnu manipuláciu so zariadením sa zníži pravdepodobnosť náhodného kontaktu s pohyblivým sa rezným nástrojom, lankom alebo nožom.
  - **Pri preprave alebo skladovaní zariadenia vždy nasadte kryt na kovové nože.** Správnu manipuláciu so zariadením sa zníži pravdepodobnosť náhodného kontaktu s nožom.
  - **Používajte iba náhradné rezné nástroje, lanká, rezné hlavy a nože špecifikované výrobcom.** Nesprávne náhradné diely môžu zvýšiť riziko poškodenia a poranenia.

## Ďalšie všeobecné bezpečnostné informácie

- Pred prechodom na iné miesto výrobok vypnite. Pri predávaní výrobku inej osobe vždy vyberte batériu.
- Výrobok nikdy neodkladajte, kým ho nevypnete a nevyberiete z neho batériu. Zapnutý výrobok nenechávajte bez dozoru.
- Rezací nástroj sa nezastaví ihneď po vypnutí zariadenia.
- Pred použitím výrobku a po akomkoľvek náraze skontrolujte známky opotrebovania alebo poškodenia a podľa potreby vykonajte opravu.
- Ak sa počas prevádzky výrobku v rezacom nadstavci niečo zasekne, prácu prerušte a vypnite výrobok. Zastíte, aby sa rezací nadstavec úplne zastavil. Pred čistením, kontrolou alebo opravou výrobku alebo rezného zariadenia vyberte batériu.
- Pred používaním výrobok skontrolujte. V časti *Bezpečnostné zariadenia na výrobku na strane 351 a Údržba na strane 354*. Nepoužívajte poškodený výrobok. Vykonávajte bezpečnostné kontroly, údržby a dodržiavajte servisné pokyny uvedené v tomto návode.
- Chybný rezací nadstavec môže zvýšiť riziko nehôd.
- Skontrolujte, či prevod nie je znečistený a prasknutý. Očistite prevod od trávy a lístia pomocou kefy. V prípade potreby noste rukavice.
- Vždy skontrolujte, či sa vo vetracích otvoroch nenachádzajú odpadky.
- Skontrolujte, či je vyžínacia hlava úplne pripevnená k vyžínaciu.
- Pred naštartovaním sa musia nasadiť všetky kryty, ochranné prvky a rukoväte.
- Skontrolujte, či je výrobok v úplnom poriadku. Skontrolujte, či sú všetky matice a skrutky zatiahnuté.
- Skontrolujte či vyžínacia hlava a kryt vyžínacej hlavy nie sú poškodené alebo prasknuté. Vyžínaciu hlavu alebo kryt vyžínacej hlavy vymeňte, pokiaľ boli vystavené nárazom, alebo ak sú niekde prasknuté. Vždy používajte správny odporúčaný ochranný kryt zodpovedajúci použitému rezaciemu nadstavcu. V časti *Príslušenstvo na strane 358*.
- Tento výrobok môže byť nebezpečný, ak nie ste opatrní alebo ho používate nesprávne. Tento výrobok môže spôsobiť vážne poranenie alebo usmrtenie obsluhujúceho pracovníka alebo iných osôb.
- Tento spotrebič nie je určený na použitie osobami (vrátane detí) s obmedzenými fyzickými, zmyslovými alebo mentálnymi schopnosťami, alebo s nedostatkom skúseností a vedomostí, pokiaľ tieto osoby nie sú pod dohľadom alebo ak neboli poučené o používaní spotrebiča osobou zodpovednou za ich bezpečnosť. Deti by mali byť pod dohľadom, aby sa zabezpečilo, že sa so zariadením nehrajú.
- Nikdy nedovoľte deťom používať stroj alebo sa zdržiavať v jeho blízkosti. Keďže stroj sa ľahko štartuje, deti môžu byť schopné naštartovať ho, pokiaľ nie sú pod neustálym dohľadom. To môže

znamenat' riziko vážneho poranenia. Preto odpojte batériu, keď stroj nie je pod dohľadom.

- Nikdy nedovoľte deťom a iným osobám, ktoré nie sú vyškolené v používaní výrobku a/alebo batérie, používať alebo opravovať výrobok alebo batériu.
- Skladujte vybavenie na uzamykateľnom mieste, aby bolo mimo dosahu detí a nepovolovaných osôb.
- Ruky a nohy nikdy nepribližujte k oblasti rezania, najmä nie pri zapínaní motora.
- Po vypnutí výrobku majte ruky a nohy mimo dosahu rezacieho nadstavca, kým sa úplne nezastaví.
- Narezaný materiál neodstraňuje ani nenechajte iné osoby odstraňovať, kým je výrobok spustený alebo kým sa otáča rezné zariadenie, keďže by mohlo dôjsť k vážnemu zraneniu.
- Majte na pamäti, že vy ako operátor ste zodpovedný za to, aby ste nevystavovali osoby alebo ich majetok nehodám alebo nebezpečenstvu.
- Za žiadnych okolností nemeňte pôvodnú konštrukciu výrobku bez schválenia od výrobcu. Vždy používajte originálne príslušenstvo. Nepovolené zmeny alebo príslušenstvo môžu viesť k vážnemu zraneniu alebo smrti operátora alebo ostatných osôb. Vaša záruka nemusí pokrývať poškodenia ani škody spôsobené neschváleným príslušenstvom alebo náhradnými dielmi.
- Jediné príslušenstvo, ktoré môžete používať s týmto výrobkom, je rezací nadstavec, ktorý odporúčame v kapitole Príslušenstvo. V časti *Príslušenstvo na strane 358*.
- Nikdy nepoužívajte výrobok, ktorý bol pozmenený a nezhoduje sa s originálnymi špecifikáciami.
- Nikdy nepoužívajte poškodený výrobok. Vykonávajte bezpečnostné kontroly, údržby a dodržiavajte servisné pokyny uvedené v tomto návode. Určité opatrenia týkajúce sa servisu a údržby zariadenia musia vykonávať iba školení a kvalifikovaní odborníci. Pozrite si pokyny v časti Údržba.
- Práca v nepriaznivom počasí je únavná a často prináša zvýšené nebezpečenstvo. Vzhľadom na zvýšené nebezpečenstvo sa neodporúča používať výrobok za veľmi nepriaznivého počasia, napríklad za hustej hmly, silného dažďa, silného vetra, keď je veľmi chladno alebo počas búrky atď.
- Nikdy nepracujte, ak stojíte na rebriku alebo v inej vyvýšenej polohe, ktorá nie je úplne bezpečná.
- Nepoužívané zariadenia uložte v interiéri – keď sa zariadenia nepoužívajú, treba ich uložiť v interiéri
- Nie je možné predvídať každú situáciu, ktorá môže nastať. Vždy konajte opatrne a riadte sa zdravým rozumom. Vyvarujte sa každej situácie, ktorá podľa vás presahuje vaše možnosti. Ak si ani po prečítaní týchto pokynov nie ste istý, ako so strojom zaobchádzať, obráťte sa na odborníka.
- Zabezpečte, aby sa počas práce nemohli do okruhu 15 metrov od výrobku dostať žiadni ľudia ani zvieratá. Pokiaľ v rovnakom priestore pracujú niekoľkí používatelia, bezpečná vzdialenosť medzi nimi musí byť minimálne 15 metrov. V opačnom

prípade existuje riziko vážneho zranenia. Ak sa niekto k výrobku viac priblíži, okamžite ho zastavte. Nikdy neatáčajte výrobkom okolo seba bez toho, aby ste sa presvedčili, či sa niekto nenachádza v nebezpečnej zóne.

- Ubezpečte sa, že ľudia, zvieratá alebo iné veci nebudú môcť ovplyvniť ovládanie výrobku, nemôžu prísť do kontaktu s rezacím nadstavcom a ani ich nezasiahnu predmety odhodnené rezacím nadstavcom. Výrobok však smiete používať len v prípade, že dokážete privolať pomoc v prípade nehody.
- Uistite sa, že sa môžete pohybovať a stáť bezpečne. Skontrolujte, či okolo vás nie sú prekážky (korene, skaly, vetvy, jamy a podobne) pre prípad, že by ste sa museli náhle pohnúť. Dávajte veľký pozor pri práci na prudkých svahoch.
- Pri práci so zariadením kráčajte, nebežte.
- Skontrolujte pracovnú oblasť. Odstráňte všetky voľné predmety, ako sú kamene, úlomky skla, kince, oceľové drôty, šnúry a pod., ktoré by mohli pri strihaní vyletúvať alebo sa namotať na rezací nástroj alebo kryt rezacieho nástroja.
- Dávajte pozor na zvyšky konárov, ktoré môžu pri rezaní odletúvať. S výrobkom nepracujte príliš blízko pri zemi, pretože môže dôjsť k odletovaniu kameňov a iných predmetov.
- Ubezpečte sa, že žiadne oblečenie alebo časti tela nepriđu do styku s rezacím nadstavcom po zapnutí výrobku. Výrobok držte pod úrovňou pásu.
- Dávajte pozor na odletujúce predmety. Vždy používajte schválené chrániče očí. Nikdy sa nenakláňajte ponad kryt rezacieho nástroja. Kamene, úlomky, atď. môžu vyletieť do očí a zapríčiniť slepotu alebo vážne poranenie.
- Ak nosíte chrániče sluchu, dávajte pozor na varovné signály alebo výkriky. Vždy si chrániče sluchu skladajte hneď, ako sa výrobok zastaví.
- Ak dochádza k nežiaducim vibráciám, vyrežte novú šnúru so správnou dĺžkou a vibrácie by mali ustať.
- Ak výrobok začne nadmerne vibrovať, zastavte ho a vyberte batériu.
- Nadmerné vystavenie vibráciám môže viesť k poškodeniu krvného obehu alebo nervovým poškodeniam u ľudí, ktorí majú zhoršený krvný obeh. Pri symptómoch nadmerného vystavenia vibráciám sa obráťte na svojho lekára. Tieto príznaky sú ťpnutie, strata citu, chvenie, pichanie, bolesť, strata sily, zmeny vo farbe a stave pleti. Tieto symptómy sa bežne objavujú na prstoch, rukách a zápästiach.
- Výrobok vždy držte oboma rukami. Výrobok držte na pravej strane tela.

## Osobné ochranné prostriedky



**VÝSTRAHA:** Skôr než budete výrobok používať, prečítajte si nasledujúce výstrahy.

- Pri používaní produktu vždy používajte schválené osobné ochranné prostriedky. Osobné ochranné prostriedky nedokážu úplne vylúčiť riziko, ale môžu znížiť vážnosť zranenia v prípade nehody. Váš predajca vám pomôže pri výbere správnych prostriedkov.
- V prípade rizika padajúcich predmetov používajte ochrannú prilbu.
- Používajte schválené chrániče sluchu, ktoré zaručujú primeranú redukciu hluku. Dlhodobé vystavenie sa hluku môže spôsobiť trvalé poškodenie sluchu.
- Používajte schválené chrániče očí. Ak používate štít, musíte tiež používať schválené ochranné okuliare. Schválené ochranné okuliare musia zodpovedať norme ANSI Z87.1 platnej v USA alebo norme EN 166 platnej v krajinách EÚ.
- Na ochranu tváre používajte ochranný štít. Štít nie je dostatočnou ochranou očí.  
(Obr. 19)
- Keď je to potrebné, používajte rukavice, ako napríklad pri montáži, kontrole alebo čistení rezného zariadenia.
- Používajte pevnú protišmykovú obuv.
- Používajte odev vyrobený z pevnej tkaniny. Vždy noste pevné, dlhé nohavice a dlhé rukávy. Nepoužívajte voľný odev, ktorý sa môže zachytiť v konároch a vetvách. Nenoste šperky, krátke nohavice, sandále a nebuďte bosí. Vlasy si bezpečne uchyťte nad úrovňou ramien.

(Obr. 20)

- Majte poruke pomôcky na poskytnutie prvej pomoci.

(Obr. 21)

## Bezpečnostné zariadenia na výrobku



**VÝSTRAHA:** Skôr než budete výrobok používať, prečítajte si nasledujúce výstrahy.

V tejto časti je opísané bezpečnostné vybavenie výrobku, jeho účel a postup, ako vykonávať kontroly a údržbu, aby bola zabezpečená jeho správna činnosť. Pozrite si pokyny v časti *Úvod na strane 345* kde nájdete informácie o umiestnení týchto častí na výrobku.

Ak údržba výrobku nebude vykonávaná správne, skráti sa tým jeho životnosť a zvýši sa riziko nehodovosti. Servis a/alebo opravy musia byť vykonané odborné. Ak potrebujete podrobnejšie informácie, obráťte sa na najbližší servis.



**VÝSTRAHA:** Nikdy nepoužívajte výrobok, ktorý má chybné bezpečnostné prvky. Bezpečnostné vybavenie výrobku sa musí kontrolovať a udržiavať tak, ako je to opísané v tejto časti. Ak výrobok neprejde niektorou z kontrol, obráťte sa na servisného zástupcu na účel opravy.



**VAROVANIE:** Všetky servisné a opravné práce na stroji si vyžadujú špeciálne školenie. Toto najmä platí o bezpečnostnom vybavení výrobku. Ak stroj neprejde niektorou z kontrol popísaných nižšie, doneste ho do servisnej dielne. Pri kúpe ktoréhokoľvek z našich výrobkov vám zaručujeme dostupnosť odborných opráv a servis. Ak maloobchodný predajca, ktorý vám predáva stroj nie je servisný zástupca, požiadajte ho o adresu najbližšej servisnej dielne.

## Kontrola používateľského rozhrania

1. Stlačte a držte štartovacie/vypínacie tlačidlo (A).
  - a) Výrobok je zapnutý, keď sa rozsvieti displej (B). (Obr. 22)
  - b) Výrobok je vypnutý, keď nesvieti displej.
2. Ak svieti alebo bliká výstražný indikátor na displeji, pozrite si časť *Používateľské rozhranie na strane 355*.

## Kontrola poistky páčky vypínača

Poistka páčky vypínača má zabrániť náhodnému spusteniu. Keď posuniete poistku páčky vypínača (A) dopredu a potom stlačíte poistku páčky vypínača proti rukoväti (B), páčka vypínača (C) sa uvoľní. Keď uvoľníte rukoväť, páčka vypínača aj zablokovanie páčky vypínača sa spoločne vrátia späť do svojej pôvodnej polohy. Tento pohyb riadia tri nezávislé pružiny.  
(Obr. 23)

1. Ubezpečte sa, či je páčka vypínača zaistená, keď je poistka páčky vypínača vo svojej pôvodnej polohe. (Obr. 24)
2. Stlačte páčku vypínača a ubezpečte sa, že sa vráti do pôvodnej polohy, keď ju pustíte. (Obr. 25)
3. Ubezpečte sa, že sa páčka vypínača a poistka páčky vypínača pohybujú voľne a spätná pružina pracuje správne.
4. Spustite výrobok, pozrite si časť *Zapnutie výrobku na strane 354*.
5. Aktivujte plné otáčky.
6. Uvoľnite páčku vypínača a skontrolujte, či sa rezací nadstavec zastavil a či potom ostal stát'.

## Kontrola krytu rezacieho nadstavca



**VÝSTRAHA:** Nepoužívajte rezací nadstavec bez schváleného a správne nasadeného krytu rezacieho nadstavca. Vždy používajte odporúčaný ochranný kryt zodpovedajúci používanému rezaciemu nadstavcu, pozrite si časť *Príslušenstvo na strane 358*. Použitie nesprávneho alebo poškodeného krytu rezacieho nadstavca by mohlo zapríčiniť vážne zranenie.

Kryt rezacieho nadstavca slúži na zastavenie predmetov vymrštených smerom k obsluhu. Taktiež zamedzuje vzniku zranení spôsobených dotykom s rezacím nadstavcom.

1. Vypnite zariadenie a vyberte akumulátor.
2. Pohľadom skontrolujte prítomnosť prípadných poškodení, napríklad prasklín. (Obr. 26)
3. Ak je kryt rezacieho nadstavca poškodený, vymeňte ho.

## Vyžínacia hlava

- Vždy používajte správnu vyžínaciu hlavu, reznú nadstavca a vždy používajte odporúčané žacie lanko. Pozrite si časť *Príslušenstvo na strane 358* a informácie o montáži na konci návodu.
- Uistite sa, že nie je poškodený rezací zub na kryte vyžínacej hlavy.
- Zaisťte, aby bolo žacie lanko v cievke navinuté tesne a rovnomerne, aby sa zabránilo neobvyklým vibráciám výrobku. Rôzne dĺžky šnúry môžu spôsobiť vibrácie, ktoré je vhodné zabrániť. Poplepte po vyžínacej hlave, aby ste získali správnu dĺžku na šnúre.

Na predĺženie životnosti možno šnúru pred nasadením nechať 2 dni alebo viac vo vode. Odolnosť šnúry sa vďaka tomu zvýši.

## Bezpečnostné pokyny pre montáž



**VÝSTRAHA:** Pred používaním výrobku si pozorne prečítajte tieto pokyny, pričom dajte pozor, aby ste im porozumeli a dodržiavali ich.

- Pred montážou výrobku z neho odstráňte akumulátor.
- Používajte schválené ochranné rukavice.
- Ak je ochranný kryt poškodený alebo nefunguje správne môže spôsobiť zranenie. Nepoužívajte rezacie nadstavce bez osadeného schváleného krytu.

- Pred spustením výrobku sa uistite, že je správne nasadený kryt a hriadeľ.
- Hnací disk a podporná príruha musia byť správne uchytené v stredovom otvore rezacieho nadstavca. Nesprávne nasadenie rezacieho nadstavca môže viesť k zraneniu alebo usmrteniu.
- Pokiaľ je produkt dodávaný s nadstavcom, popruh musí byť správne pripojený k zariadeniu. Popruh robí prevádzku zariadenia bezpečnou a zamedzuje zraneniu používateľa alebo iných osôb.

## Bezpečnostné pokyny pre údržbu



**VÝSTRAHA:** Skôr než začnete s údržbou výrobku, prečítajte si nasledujúce výstrahy.

- Pred vykonávaním údržby, inými kontrolami alebo zmontovaním produktu vyberte batériu.
- Obsluha je povinná vykonávať iba údržbu a servisné úkony uvedené v tomto návode na obsluhu. O vykonanie rozsiahlejšej údržby alebo servisu požiadajte svojho servisného zástupcu.
- Batériu ani nabíjačku batérií nečistite vodou. Silné čistiace prostriedky môžu spôsobiť poškodenie plastov.
- V prípade zanedbania údržby sa skracaie životnosť výrobku a zvyšuje sa riziko vzniku nehôd.
- Na vykonávanie všetkých servisných a opravných úkonov, najmä na bezpečnostných zariadeniach na výrobku, je potrebné špeciálne odborné vzdelanie. Ak po vykonaní údržby nie je možné úspešne vykonať všetky kontroly v tomto návode na obsluhu, požiadajte o pomoc servisného predajcu. Zaručujeme, pre tento výrobok sú k dispozícii profesionálne opravné a servisné služby.
- Používajte iba originálne náhradné diely.
- Pri opravě rezacieho nadstavca vždy noste odolné rukavice. Čepele sú veľmi ostré a ľahko sa na nich môžete poraniť.

## Montáž

### Montáž oblúkovej rukoväti

1. Oblúkovú rukoväť pripojte na hriadeľ medzi šípkami. Oblúkovú rukoväť ani závesný krúžok nedávajte na štítok. (Obr. 27)
2. Posuňte vymedzovač do otvoru na oblúkovej rukoväti.
3. Pripevnite maticu, gombík a skrutku, pričom ich nadmerne neuťahujte.
4. Nastavte výrobok do pohodlnej polohy.
5. Uťahnite skrutku.

### Montáž rezného zariadenia

Súčasťou rezného zariadenia je rezací nadstavec a kryt rezacieho nadstavca.



**VÝSTRAHA:** Používajte ochranné rukavice.



**VÝSTRAHA:** Vždy používajte kryt rezacieho nadstavca, ktorý je odporúčaný pre daný rezací nadstavec. Pozrite si časť *Technické údaje na strane 357*.





**VÝSTRAHA:** Nesprávne nasadený kryt rezacieho nadstavca môže viesť k zraneniam alebo usmrteniu.

### Prípevnenie krytu rezacieho nadstavca

1. Prípevnite kryt rezacieho nadstavca (A) na hák na držiaku platničky (B). (Obr. 28)
2. Kryt rezacieho nadstavca nasadte na hriadeľ a utiahnite ho skrutkou (C).

### Demontáž krytu rezacieho nadstavca

- Uvoľníte skrutku (C) a odstránite ochranný kryt rezacieho nadstavca (A) z hriadeľa. (Obr. 29)

### Montáž vyžínacej hlavy



**VÝSTRAHA:** Pri inštalácii rezacieho nadstavca je mimoriadne dôležité, aby zvýšená časť hnacieho disku/podpornej príruby sedela presne v stredovom otvore rezacieho nadstavca. Pri nesprávnej inštalácii rezacieho nadstavca môže dôjsť k vážnemu a/alebo smrteľnému zraneniu osôb.



**VÝSTRAHA:** Nikdy nepoužívajte rezací nadstavec bez schváleného ochranného krytu. V časti *Príslušenstvo na strane 358*. Použitie nesprávneho alebo poškodeného krytu by mohlo zapríčiniť vážne osobné poranenia.

### Prípevnenie vyžínacej hlavy

1. Nasadte hnací disk (B) na výstupný hriadeľ.
2. Otočením výstupného hriadeľa zarovnajete jeden z otvorov na hnacom disku s príslušným otvorom na skriani prevodovky.
3. Vložte poistný kolík (C) do otvoru na zaistenie hriadeľa.
4. Otočením proti smeru hodinových ručičiek vyžínaciu hlavu (H) upevnite. (Obr. 29)

### Demontáž vyžínacej hlavy

1. Vložte poistný kolík (C) do otvoru na zaistenie hriadeľa.
2. Otočením v smere hodinových ručičiek vyžínaciu hlavu (H) odstráňte.
3. Odstráňte hnací disk (B) z výstupného hriadeľa. (Obr. 30)

## Prevádzka

### Úvod



**VÝSTRAHA:** Pred používaním výrobku si prečítajte kapitolu o bezpečnosti a uistite sa, že rozumiete informáciám, ktoré sa v nej uvádzajú.

### Prípojenie batérie k výrobku



**VÝSTRAHA:** Vo výrobku používajte iba originálne batérie Husqvarna.

1. Uistite sa, že je batéria plne nabitá.
2. Zatláčte batériu do držiaka na batériu na výrobku. Batéria sa zaistí na mieste, keď sa ozve cvaknutie. (Obr. 31)



**VAROVANIE:** Ak sa batéria do držiaka nedá ľahko zasunúť, nie je správne vložená. Mohlo by to viesť k poškodeniu výrobku.

3. Uistite sa, že je batéria vložená správne.

### Pracovná poloha

- Výrobok držte oboma rukami.
- Výrobok držte na pravej strane tela.

- Rezací nadstavec udržiavajte pod úrovňou pásu.
- Nepribližujte sa časťami tela k horúcim povrchom.
- Nepribližujte sa časťami tela k rezaciemu nadstavcu.

### Pred obsluhou zariadenia

- Skontrolujte pracovnú plochu a oboznámte sa s typom terénu, sklonom svahu a prípadnými prekážkami, ako sú kamene, vetvy a jamy.
- Vykonajte celkovú kontrolu výrobku.
- Vykonajte bezpečnostné opatrenia, údržbu a servis uvedený v tomto návode.
- Skontrolujte, či sú všetky kryty, ochranné prvky, rukoväte a rezné zariadenia správne nasadené a nie sú poškodené.
- Skontrolujte, či sa na podpornej príрубе nenachádzajú praskliny. V prípade poškodenia podpornú prírubu vymeňte.

(Obr. 32)

- Skontrolujte, či sa na vyžínacej hlave alebo rezacom nadstavci nenachádzajú známky poškodenia alebo praskliny. Ak prišla vyžínacia hlava alebo rezací nadstavec k nárazu alebo sú prasknuté, vymeňte ich.

(Obr. 33)

## Zapnutie výrobu

1. Stlačte štartovacie tlačidlo a podržte ho dovtedy, kým sa nerozsvieti zelený indikátor LED. (Obr. 34)
2. Na regulovanie rýchlosti použite páčku vypínača.

## Obmedzenie maximálnych otáčok tlačidlom režimu

Výrobok je vybavený tlačidlom režimu. Obsluha môže pomocou tohto tlačidla obmedziť maximálne otáčky. Tlačidlo režimu má 3 úrovne otáčok. Nižšia úroveň predĺži čas prevádzky výrobu. Úroveň 1 a 2 použijete v prípade, ak prevádzka nevyžaduje maximálne otáčky/výkon. Ak si prevádzkové požiadavky vyžadujú plnú rýchlosť/plný výkon, použijete úroveň 3. Nepoužívajte vyššiu úroveň, ako si vyžaduje prevádzka.

1. Stlačením tlačidla režimu nastavte limit maximálnych otáčok. Rozsvieti sa biely indikátor LED, ktorý signalizuje zapnutie funkcie. (Obr. 35)
2. Opätovným stlačením tlačidla režimu zvolíte ďalšiu úroveň rýchlosti.

## Funkcia automatického vypnutia

Výrobok je vybavený funkciou vypnutia, ktorá deaktivuje výrobok, ak sa nepoužíva.

## Kosenie trávy použitím vyžínacej hlavy

### Vyžínanie trávy

1. Vyžínaciu hlavu držte okamžite nad zemou a v uhle. (Obr. 36) Netlačte žacie lanko trávniku na trávnik.
2. Pri kosení trávniku v blízkosti predmetov používajte plyn na 80 %. (Obr. 37)

### Kosenie trávniku

1. Pri kosení trávniku sa uistite, že je vyžínacie lanko trávniku rovnobežne so zemou. (Obr. 38)

2. Netlačte vyžínaciu hlavu k zemi. Zem a výrobok sa môžu poškodiť.
3. Dávajte pozor, aby sa vyžínacia hlava nedotýkala nepretržite zeme, pretože sa môže poškodiť.
4. Počas posúvania výrobu zo strany na stranu pri kosení trávniku používajte maximálne otáčky. (Obr. 39) Uistite sa, že je žacie lanko trávniku rovnobežne so zemou.

## Odpratávanie trávy

Prúd vzduchu z rotujúceho lanka vyžínača je možné použiť na odpratávanie trávy z požadovanej plochy.

1. Podržte vyžínaciu hlavu a jej lanko nad zemou vodorovne so zemou.
2. Aktivujte plné otáčky.
3. Pohybom vyžínacej hlavy zo strany do strany môžete trávu odfukovať.



**VÝSTRAHA:** Pri každom založení nového lanka vyžínača očistite kryt vyžínacej hlavy, aby ste zamedzili narušeniu rovnováhy a vibrovaniu rukoväti. Taktiež skontrolujte ostatné časti vyžínacej hlavy a v prípade potreby ich očistite.

## Zastavenie výrobu

1. Uvoľnite páčku vypínača alebo poistku páčky vypínača.
2. Stlačte tlačidlo zastavenia. (Obr. 34)
3. Zatláčte uvoľňovacie tlačidlá batérie a vytiahnite batériu von. (Obr. 40)

## Údržba

### Úvod



**VÝSTRAHA:** Pred vykonávaním akejkoľvek údržby si musíte prečítať kapitolu o bezpečnosti a porozumieť informáciám, ktoré sa v nej uvádzajú.

### Plán údržby



**VÝSTRAHA:** Pred vykonaním údržby vyberte batériu.

Nasleduje zoznam postupov údržby, ktoré na výrobu musíte vykonávať.

Údržba	Denne	Týždenne	Mesačne
Očistite externé súčasti výrobu suchou handričkou. Nepoužívajte vodu.	X		
Skontrolujte funkčnosť a stav tlačidla štartovania a zastavenia.	X		

Údržba	Denne	Týždenne	Mesačne
Skontrolujte, či páčka vypínača a zaistenie páčky vypínača fungujú správne z bezpečnostného hľadiska.	X		
Skontrolujte, či všetky ovládače fungujú a nie sú poškodené.	X		
Rukoväte udržiavajte suché, čisté a neznečistené olejom a mazivom.	X		
Zaistite, aby bol rezací nadstavec nepoškodený. Ak je rezací nadstavec poškodený, vymeňte ho.	X		
Skontrolujte, či ochranný kryt alebo nôž rezacieho nadstavca nie je poškodený. Ak je kryt alebo nôž rezacieho nadstavca poškodený, vymeňte ho.	X		
Skontrolujte, či sú matice a skrutky dotiahnuté.	X		
Skontrolujte, či uvoľňovacie tlačidlá na batérii fungujú správne a riadne zaistia batériu vo výrobku.	X		
Skontrolujte, či batéria nie je poškodená.	X		
Uistite sa, že je batéria nabitá.	X		
Dbajte na to, aby nabíjačka batérie nebola poškodená a správne fungovala.	X		
Skontrolujte všetky káble, spojky a konektory. Zaistite, aby boli nepoškodené a čisté.		X	
Skontrolujte, či je kužeľový prevod správne naplnený mazivom, pozrite si časť <i>Mazanie kužeľového prevodu na strane 355</i> . Ak nie je, použite mazivo Husqvarna na kužeľové prevody.		X	
Skontrolujte prepojenia medzi batériou a výrobkom. Skontrolujte aj prepojenie medzi batériou a nabíjačkou batérie.			X

## Čistenie výrobku, batérie a nabíjačky batérií

- Výrobok po použití očistite suchou handričkou.
- Očistite batériu a nabíjačku batérií čistou handričkou. Vodiace dráhy batérie udržiajte čisté.
- Než vložíte batériu do nabíjačky alebo výrobku, skontrolujte, či sú koncovky na batérii a nabíjačke batérií čisté.

## Mazanie kužeľového prevodu

- Odoberte rezacie zariadenie.
- Položte výrobok tak, aby mazacia zátka smerovala nahor.

- Odstráňte mazaciu zátku. (Obr. 41)
- Pozrite sa do otvoru pod mazacou zátkou a otočte hnací hriadeľ. Hladina maziva (A) musí byť na úrovni najvyššej časti ozubenia (B). (Obr. 42)
- Ak je hladina maziva príliš nízka, naplňte kužeľové súkolesie mazivom Husqvarna na kužeľové súkolesie. Pomaly naplňajte mazivo na kužeľové súkolesie a zároveň otáčajte hnacím hriadeľom až do dosiahnutia správnej hladiny (B).



**VAROVANIE:** Nesprávne množstvo maziva môže spôsobiť poškodenie kužeľového súkolesia.

- Nasadte mazaciu zátku.

## Riešenie problémov

### Používateľské rozhranie

Problém	Možné poruchy	Možná akcia
LED kontrolka akumulátora bliká oranžovo	Nízke napätie batérie.	Nabite batériu.

Problém	Možné poruchy	Možná akcia
LED kontrolka poruchy bliká na červeno	Preťaženie.	Rezací nadstavec je zablokovaný. Vypnite výrobok. Vyberte batériu. Očistite rezací nadstavec od neželaného materiálu.
	Teplotná odchýlka.	Nechajte výrobok vychladnúť.
	Páčka vypínača a tlačidlo aktivácie sa stláčajú súčasne.	Uvoľnite páčku vypínača a výrobok sa aktivuje.
Výrobok sa nedá spustiť	Nečistoty na konektoroch akumulátora.	Očistite konektory batérie stlačeným vzduchom alebo jemnou kefou.
LED svetlo signalizujúce poruchu svieti načerveno	Je nutné vykonať servis produktu.	Obráťte sa na servisného zástupcu.

## Preprava, skladovanie a likvidácia

### Preprava a uskladnenie

- Dodávané lítium-iónové batérie spĺňajú požiadavky právnych predpisov, ktoré sa týkajú nebezpečného tovaru.
- Dodržiavajte špeciálne požiadavky na balení a štítkoch pri obchodnej preprave. Táto požiadavka platí aj pre tretie strany a prepravcov.
- Pred odoslaním výrobku sa poraďte s osobou s osobitým vzdelaním v oblasti nebezpečných materiálov. Dodržiavajte všetky príslušné vnútroštátne právne predpisy.
- Odhalené kontakty zaistíte páskou pri vkladaní akumulátora do balenia. Batériu v balení pevne zabezpečte, aby sa nemohla posúvať.
- Pred skladovaním alebo prepravou batériu vyberte.
- Umiestnite batériu a nabíjačku batérií do suchého priestoru bez výskytu vlhkosti a mrazov.
- Neskladujte batériu na mieste, kde sa môže vyskytovať statická elektrina. Batériu nekladajte do kovovej skrinky.
- Batériu uložte na mieste, kde sa teplota pohybuje v intervale 5°C (41°F) až 25°C (77°F) a kde je chránená pred priamym slnečným svetlom.
- Nabíjačku batérií uložte na mieste, kde sa teplota pohybuje v intervale 5°C (41°F) až 45°C (113°F) a kde je chránená pred priamym slnečným svetlom.
- Nabíjačku batérií používajte iba vtedy, keď je teplota okolitého prostredia v rozsahu 5°C (41°F) až 40°C (104°F).

- Pred dlhodobým skladovaním batériu nabite na 30 – 50 % kapacity.
- Nabíjačku batérií uchovajte na uzavretom a suchom mieste.
- Batéria skladujte mimo nabíjačky batérií. Nedovoľte deťom ani iným nepovolaným osobám, aby sa dotýkali zariadenia. Uchovávajte zariadenia na mieste, ktoré je možné uzamknúť.
- Pred dlhodobým uskladnením výrobok vyčistite a vykonajte kompletný servis.
- Pomocou prepravného krytu na výrobku zamedzte vzniku zranení alebo poškodenia produktu počas prepravy a uskladnenia.
- Pred prepravou výrobok bezpečne upevnite.

### Likvidácia batérie, nabíjačky batérií a výrobku

Symbody na výrobku alebo na obale výrobku označujú, že tento výrobok nepredstavuje komunálny odpad. Recyklujte ho v recyklačnej stanici určenej pre elektrické a elektronické zariadenia. Napomôže tým zamedziť vzniku poškodeniu životného prostredia a osôb.

Ďalšie informácie o recyklácii výrobku získate od miestnych úradov, služby na likvidáciu komunálneho odpadu alebo predajcu.

## Technické údaje

### Technické údaje

	<b>325iL</b>
<b>Motor</b>	
Typ motora	BLDC (bezkontaktný) 36V
Otáčky výstupného hriadeľa, 1/min	5800
Šírka rezu, mm	420
<b>Hmotnosť</b>	
Hmotnosť bez akumulátora a rezného nastavca, kg	3,0
<b>Emisie hluku</b> <sup>67</sup>	
Nameraná hladina akustického výkonu, dB (A)	93
Zaručená úroveň hlučnosti L <sub>WA</sub> dB(A)	96
<b>Hladiny hluku</b> <sup>68</sup>	
Ekvivalentná hladina akustického tlaku pri uchu operátora meraná podľa normy ISO 22868, dB (A):	
Vybavené vyžínacou hlavou (originál)	84
<b>Úroveň vibrácií</b> <sup>69</sup>	
Hladiny vibrácií na rukovätiach merané podľa normy ISO 22867, m/s <sup>2</sup>	
Vybavené vyžínacou hlavou (originál), vpredu/vzadu, m/s <sup>2</sup>	4,3/2,9

### Schválené batérie

<b>Batéria</b>	<b>BLI 200</b>
Typ	Lítium-iónová
Kapacita batérie, Ah	5,2
Menovité napätie, V	36

<sup>67</sup> Hladina hluku meraná ako akustický tlak (LWA) v súlade s európskou smernicou 2000/14/ES. Uvádzaná hladina akustického výkonu stroja bola meraná s originálnym rezacím nastavcom, ktorý produkuje najvyššiu úroveň. Rozdiel medzi zaručeným a nameraným akustickým výkonom spočíva v tom, že zaručený akustický výkon zahŕňa aj rozptyl výsledkov merania a rozdiely medzi jednotlivými strojmi rovnakého modelu v súlade so smernicou 2000/14/ES.

<sup>68</sup> Uvádzané údaje pre hladinu akustického tlaku majú typický štatistický rozptyl (štandardnú odchýlku) 3 dB (A) a boli namerané s originálnym nastavcom, ktorý má najvyššiu úroveň.

<sup>69</sup> Uvádzané údaje pre ekvivalentný stupeň vibrácií majú typický štatistický rozptyl (štandardnú odchýlku) 2 m/s<sup>2</sup>. Ak chcete porovnať úrovne vibrácií pre výrobky s batériou a so spaľovacím motorom, použite kalkulačtor vibrácií. <https://www.husqvarna.com/uk/services-solutions/vibration-calculator/>.

<b>Batéria</b>	<b>BLi 200</b>
Hmotnosť, kg (lb)	1,3 (2,9)

### Schválené nabíjačky batérií

<b>Nabíjačka batérií</b>	<b>QC330</b>
Vstupné napätie, V	100 – 240
Frekvencia, Hz	50 – 60
Výkon, W	330

---

## Príslušenstvo

---

### Príslušenstvo

Schválené príslušenstvo	Typ príslušenstva	Kry rezacieho nastavca, diel č.
Stredový otvor na čepeliach/nožoch, Ø 25,4		
Závit vývodu M10		
Vyžínacia hlava	T35 (točené vyžínacie lanko Whi-sper, maximálny Ø 2,4 mm)	597 01 62-02

## Vyhlásenie o zhode

### Vyhlásenie o zhode EÚ

My, spoločnosť **Husqvarna AB**, SE-561 82 Huskvarna, Švédsko, tel.: +46-36-146500, vyhlasujeme s plnou zodpovednosťou, že výrobok:

<b>Popis</b>	Akumulátorový vyžinač
<b>Značka</b>	Husqvarna
<b>Typ/model</b>	325iL
<b>Identifikácia</b>	Výrobné čísla od roku 2023 a novšie

plne spĺňa nasledujúce smernice a nariadenia EÚ:

<b>Smernice/Nariadenia</b>	<b>Popis</b>
2006/42/ES	„o strojových zariadeniach“
2014/30/EMC	„o elektromagnetickej kompatibilite“
2011/65/EÚ	„o obmedzení používania určitých nebezpečných látok“
2000/14/ES	„o hluku vo voľnom priestranstve“

a že sa pri ňom uplatňujú nasledujúce normy a technické špecifikácie: EN 62841-1:2015/AC:2015, EN 62841-4-4 (IEC 62841-4-4:2020), EN 61000-6-1:2007 (Immunity), EN 61000-6-3:2007/A1:2011/AC:2012 (Emission).



Spoločnosť RISE SMP Svensk Maskinprovning AB, Box 4053, SE-904 03 Umeå, Sweden vykonala dobrovoľnú typovú skúšku v súlade s prílohou IX smernice 2006/42/ES. Č. certifikátu: SEC/23/2579.

Spoločnosť Notified body: 0404, RISE SMP Svensk Maskinprovning AB, Box 4053, SE-904 03 Umeå, Sweden tiež potvrdila súlad s dodatkom VI smernice rady 2000/14/ES.

Informácie týkajúce sa emisií hluku nájdete v časti *Technické údaje na strane 357*.

Huskvarna, 2022-12-01

Stefan Holmberg, riaditeľ výskumu a vývoja, oddelenie riadenia technológií, Husqvarna AB

Zodpovedný za technickú dokumentáciu

---

# VSEBINA

---

Uvod.....	360	Transport skladiščenje in odstranitve.....	371
Varnost.....	361	Tehnični podatki.....	371
Montaža.....	367	Dodatna oprema.....	372
Delovanje.....	368	Izjava o skladnosti.....	374
Vzdrževanje.....	369	Dodatek .....	447
Odpravljanje težav.....	370		

---

## Uvod

---

### Opis izdelka

Husqvarna 325iL je baterijska kosa z elektromotorjem.

Stalno delamo na tem, da bi povečali varnost in učinkovitost med delovanjem. Če potrebujete več informacij, se obrnite na servisnega zastopnika.

### Namen uporabe

Izdelek uporabljajte s kosilno glavo za rezanje različnega rastlinja. Izdelek je dovoljeno uporabljati samo za obrezovanje in odstranjevanje trave.

### Pregled izdelka

(Sl. 1)

1. Navodila za uporabo
2. Kotni prenos
3. Odprtina za blokirni zatič
4. Kosilna glava
5. Ščitnik rezalnega priključka
6. Pogonski disk
7. Kombiniran ključ
8. Okrogli ročaj
9. Gumb
10. Gred
11. Blokirni zatič
12. Opozorilni indikator (LED)
13. Gumb za vklop/izklop
14. Gumb za hitrost
15. Zaklep sprožilca plina
16. Uporabniški vmesnik
17. Sprožilec plina
18. Kabel baterijskega polnilnika
19. Polnilnik baterije
20. Indikator LED za vklop in opozarjanje
21. Gumbi za sprostitve baterij
22. Baterija
23. Indikator LED za stanje napolnenosti
24. Opozorilni indikator LED
25. Indikatorski gumb stanja baterije

**Opomba:** Uporabo lahko urejajo državni ali lokalni predpisi. Upoštevajte veljavne predpise.

---

Izdelek uporabljajte samo z dodatki, ki jih je odobril proizvajalec. Glejte *Dodatna oprema na strani 372*.

### Simboli na izdelku

(Sl. 2) OPOZORILO! Ta izdelek je lahko nevaren! Nepredvidna in neustrezna uporaba lahko povzročita resne telesne poškodbe in celo smrt uporabnika ali navzočih oseb. Zato je zelo pomembno, da preberete in razumete navodila za uporabo. Pred začetkom uporabe izdelka morate natančno prebrati navodila za uporabo in jih razumeti.

(Sl. 3) Uporabljajte odobreno zaščito za sluh. Uporabljajte odobreno zaščito oči.

(Sl. 4) Največja hitrost ali hitrost brez obremenitve.

XXXX /min  
ali min<sup>-1</sup> | Vrtljaji ali nihaji na minuto.

(Sl. 5) Nazivna napetost, V

(Sl. 6) Enosmerni tok.

(Sl. 7) Izdelek je skladen z veljavnimi direktivami ES.

(Sl. 8) Izdelek je v skladu z veljavnimi direktivami ZK.



- (Sl. 9) Uporabljajte odobrene zaščitne rokavice. priporočene varnostne opreme, lahko pride do resnih poškodb oči.
- (Sl. 10) Uporabljajte trpežno obutev, ki ne drsi. (Sl. 14) Pred vzdrževanjem odklopite baterijo.
- (Sl. 11) Uporabljajte samo nekovinske prilagodljive rezalne priključke. (Sl. 15) Izdelek je zaščiten pred pljuski vode.
- (Sl. 12) Simboli na izdelku ali njegovi embalaži opozarjajo, da tega izdelka ne smete obravnavati kot gospodinjanskega odpadka. Ta izdelek je treba odložiti v ustrezen obrat za recikliranje. (Sl. 16) Delov telesa ne približujte vročim površinam.
- (Sl. 13) Priključek lahko izvrže predmete, ki se lahko odbijejo nazaj. Če ne uporabljate (Sl. 17) Emisija hrupa v okolje je skladna z direktivami in uredbami EU, ZK ter zakonodajo Novega južnega Walesa, in sicer z direktivo "Zaščita okolja pri delu (nadzor hrupa) iz 2017". Zajamčena raven zvočne moči izdelka je navedena na in v *Tehnični podatki na strani 371*.

yyyywwxxx

Na tipski ploščici je navedena serijska številka. **yyyy** je proizvodno leto, **ww** je proizvodni teden in **xxx** je serijska številka.

(Sl. 18)

Uporabnik mora poskrbeti, da v območju 15 metrov okrog in okrog naprave ni nobene osebe ali živali. Če več uporabnikov dela na istem mestu, morajo upoštevati medsebojno varnostno razdaljo vsaj 15 metrov.

**Opomba:** Ostali znaki in oznake na izdelku se nanašajo na zahteve za certifikacijo, ki veljajo za druga komercialna območja.

- Izdelek ni pravilno popravljen.
- Izdelek je popravljen z deli, ki jih ni izdelal ali odobril proizvajalec.
- Na izdelku je nameščena dodatna oprema, ki je ni izdelal ali odobril proizvajalec.
- Izdelek ni bil popravljen v pooblaščenem servisnem centru ali pri pooblaščenem organu.

## Škoda izdelka

Za škodo na izdelku ne odgovarjamo, če:

## Varnost

### Varnostne definicije

Opozorila, svarila in opombe opozarjajo na posebej pomembne dele priročnika.



**OPOZORILO:** Se uporabi, če obstaja nevarnost telesne poškodbe ali smrti uporabnika ali opazovalcev ob neupoštevanju navodil v tem priročniku.



**POZOR:** Se uporabi, če obstaja nevarnost poškodbe izdelka, drugih materialov ali okolice ob neupoštevanju navodil v tem priročniku.

**Opomba:** Se uporabi za podajanje podrobnejših informacij, potrebnih v dani situaciji.

### Splošna varnostna opozorila za električno orodje



**OPOZORILO:** Preberite vsa varnostna opozorila, navodila, slike in specifikacije, dobavljene s tem električnim orodjem. Neupoštevanje vseh spodaj navedenih navodil lahko povzroči električni udar, požar in/ali težko telesno poškodbo.

- **Shranite vsa opozorila in navodila za bodočo uporabo.** Izraz »električno orodje« v opozorilih se nanaša na orodje z napajanjem prek kabla neposredno iz električnega omrežja ali baterijsko električno orodje (brez kabla).

### Varnost delovnega področja

- **Poskrbite za čistočo in dobro osvetlitev delovnega področja.** Prenatrpani ali mračni prostori kar kličejo nesrečo.
- **Električnega orodja ne uporabljajte v eksplozivnem okolju, na primer v bližini vnetljivih tekočin, plinov**

ali prahu. Električna orodja sprožajo iskre, ki lahko vžgejo prah ali hlape.

- **Ne dovolite, da bi bili med uporabo električnega orodja prisotni otroci ali opazovalci.** Odvratanje pozornosti lahko povzroči izgubo nadzora.

## Električna varnost

- **Vtiči električnega orodja se morajo ujemati z vtičnico.** Vtiča na noben način ne spreminjajte. Z ozemljenim električnim orodjem ne uporabljajte adapterjev za vtičnik. Nepredelani vtiči in ustrezne vtičnice poskrbijo za zmanjšano nevarnost električnega udara.
- **Izogibajte se telesnega stika z ozemljenimi površinami, kot so cevi, radiatorji, štedilniki in hladilniki.** Če je vaše telo ozemljeno, se nevarnost električnega udara poveča.
- **Električna orodja ne izpostavljajte dežju ali vlagi.** Če v električno orodje prodre voda, se poveča nevarnost električnega udara.
- **Ne ravnajte grobo s kablom. Nikoli ne uporabljajte kabla za prenašanje, vlečenje ali izklapljanje električnega orodja iz vtičnice.** Kabel ne sme priti in stik z vročino toplote, oljem, ostrimi robovi ali premikajočimi deli. Poškodovani ali zavozlani kabli povečujejo nevarnost električnega udara.
- **Če uporabljate električno orodje zunaj, uporabljajte kabelski podaljšek, ki je primeren za zunanjo uporabo.** Za zmanjšanje nevarnosti električnega udara uporabljajte kabel, primeren za zunanjo uporabo.
- **Če se ne morete izogniti upravljanju stroja v vlažnem okolju, uporabite zaščitno napravo na diferenčni tok (RCD).** Uporaba naprave RCD zmanjšuje nevarnost električnega udara.

## Osebnostna varnost

- **Med uporabo električnega orodja bodite pozorni, pazite na svoja dejanja in ravnajte razumno. Ne uporabljajte električnega orodja, ko ste utrujeni ali pod vplivom drog, alkohola ali zdravil.** Trenutek nepozornosti med uporabo obzvovalnika žive meje lahko povzroči težko osebno poškodbo.
- **Uporabljajte osebno zaščitno opremo. Vedno nosite zaščito za oči.** Zaščitna oprema, na primer prašna maska, čevlji z nedrsečimi podplati, čelada ali zaščita za sluh, uporabljena v pravih okoliščinah, zmanjšuje nevarnost osebnih poškodb.
- **Izogibajte se neželenemu zagonu. Pred priklopom orodja na električno omrežje ali namestitvijo baterije, držanjem v rokah ali prenašanjem se prepričajte, da je stikalo v položaju za izklop.** Prenašanje električnega orodja s prstom na stikalo ali priklop električnega orodja z vklopljenim stikalom lahko povzroči nesrečo.
- **Preden električno orodje vklopite, odstranite ključ za nastavitvev ali izvijač.** Če ostane ključ ali izvijač pritrjen na vrteči se del električnega orodja, lahko pride do telesne poškodbe.

- **Rok ne stegujte predaleč. Vedno zanesljivo stopajte in pazite na ravnotežje.** To vam omogoča boljši nadzor nad električnim orodjem ob nepričakovanih dogodkih.
- **Primerno se oblecite. Ne nosite ohlapnih oblačil in nakita. Z lasmi in oblačili ne segajte v območje gibljivih delov.** Ohlapne obleke, nakit ali dolgi lasje se lahko zapletejo v premične dele.
- **Če so naprave opremljene s priključkom za odvajanje in zbiranje prahu, mora biti ta zaseden in pravilno uporabljen.** Zbiranje prahu lahko zmanjša nevarnost zaradi vdihavanja tega.
- **Ne bodite samozadovoljni, ker ste zaradi pogoste uporabe navajeni orodja, in kljub vsemu upoštevajte varnostna načela orodja.** Brezbržna uporaba lahko v trenutku povzroči hudo telesno poškodbo.

## Uporaba in nega električnega orodja

- **Ne preobremenite električnega orodja. Uporabite pravilno električno orodje za vrsto uporabe.** Pravilno električno orodje bo delo opravilo bolje in varneje, če deluje pri hitrosti, za katero je bil zasnovano.
- **Električnega orodja ne uporabljajte, če stikalo za vklop/izklop ne deluje.** Orodje, ki ga ni mogoče upravljati s stikalom, je nevarno in ga je potrebno popraviti.
- **Pred izvajanjem nastavitvev, menjavo priključkov ali shranjevanjem električnega orodja izvlomite vtič iz omrežne vtičnice in/ali odstranite baterijo iz električnega orodja, če je to mogoče.** Taki preventivni ukrepi pomagajo zmanjšati nevarnost neželenega zagona električnega orodja.
- **Električno orodje, ki ga ne potrebujete, shranite izven doseg otrok in ne dovolite, da bi ga uporabljale osebe, ki električnega orodja ne poznajo ali ne poznajo teh navodil.** Električna orodja so v rokah neukih oseb nevarna.
- **Vzdržujte električna orodja in dodatno opremo. Preverite poravnavo ali zatikanje pomičnih delov. Preverite, da noben del ni poškodovan in vsa druga stanja, ki bi lahko vplivala na delovanje električnega orodja. Če je električno orodje poškodovano, ga pred uporabo odnesite v popravilo.** Veliko nesreč povzročijo slabo vzdrževana električna orodja.
- **Rezila naj bodo vedno ostra in čista.** Pravilno vzdrževana rezila z ostrimi rezalnimi robovi se manj zatikajo in jih je lažje kontrolirati.
- **Električna orodja, dodatke, rezalne ploščice ipd. uporabljajte skladno s temi navodili ter upoštevajte delovne pogoje in delo, ki ga boste opravljali.** Uporaba električnega orodja za opravila, za katera ta naprava ni namenjena, je lahko nevarna.
- **Ročaji in prijemalne površine naj bodo suhi, čisti in brez ostankov olja in masti.** Če so ročaji in prijemalne površine spolzki, ne omogočajo varne uporabe in upravljanja z orodjem v nepričakovanih razmerah.

## Uporaba in nega baterije

- **Baterijo polnite le s polnilnikom, ki ga določi proizvajalec.** Polnilnik, ki je primeren za eno vrsto baterij, lahko poveča nevarnost požara pri drugih baterijah.
- **Električno orodje uporabljajte le s točno določenimi baterijami.** Če uporabite druge baterije, se lahko poveča nevarnost poškodb in požara.
- **Ko baterije ne uporabljate, ne sme priti v stik z drugimi kovinskimi predmeti, kot so sponke za papir, kovanci, ključiči, žebliji, vijaki ali drugi majhni kovinski predmeti, ki lahko vzpostavijo povezavo med dvema poloma.** Kratek stik med poloma baterije lahko povzroči opeklino ali požar.
- **Ob nepravilni in grobi uporabi lahko iz baterije izteka tekočina; izogibajte se stiku s tekočino. Če se tekočine nehote dotaknete, sperite roke z vodo. Če pride tekočina v stik z očmi, poiščite zdravniško pomoč.** Tekočina, ki izteka iz baterije, lahko povzroči draženje ali opeklino.
- **Ne uporabljajte poškodovanega ali spremenjenega baterijskega paketa ali orodja.** Poškodovani ali predelani akumulatorji se lahko obnašajo nepredvidljivo in lahko posledično zagorijo, eksplodirajo ali predstavljajo nevarnost poškodb.
- **Baterijskega paketa ali orodja ne izpostavljajte ognju ali previsokim temperaturam.** Izpostavljenost ognju ali temperaturam nad 130 °C (266 °F) lahko povzroči eksplozijo.
- **Upoštevajte vsa navodila za polnjenje in ne polnite baterijskega paketa ali orodja pri temperaturah zunaj temperaturnega območja, navedenega v navodilih.** Neustrezna zamenjava ali temperature zunaj dovoljenega območja lahko povzročijo poškodbe baterije in povečajo nevarnost požara.

## Servis

- **Popravila električnega orodja sme izvajati usposobljen serviser in pri tem uporabljati originalne nadomestne dele.** S tem zagotovite ohranitev kakovosti in varnosti električnega orodja.
- **Ne servisirajte poškodovanih baterijskih enot.** Baterijske pakete lahko servisirajo samo proizvajalec in pooblaščen servisni ponudniki.

## Varnostna opozorila za prerezovalnik trave, motorno koso motorno žago za grmičevje

- **Orodja ne uporabljajte v slabem vremenu, zlasti ko obstaja nevarnost bliskanja.** S tem zmanjšate nevarnost udara strele.
- **Prepričajte se, da na območju, na katerem nameravate uporabiti stroj, ni prostoživečih živali.** Stroj lahko med delovanjem poškoduje prostoživeče živali.
- **Skrbno preglejte območje, na katerem boste uporabljali stroj, ter odstranite vse kamne, veje, kable, kosti in druge predmete.** Zaradi izmeta predmetov lahko pride do telesnih poškodb.
- **Pred uporabo stroja se vedno vizualno prepričajte, da rezalnik in rezilo ter sklop rezalnika in rezila nista poškodovana.** Poškodovani deli povečajo nevarnost poškodb.
- **Upoštevajte navodila za zamenjavo dodatne opreme.** Nepravilno zategnjene matice ali vijaki za pritrditev rezila lahko poškodujejo rezilo ali ga odtrgajo.
- **Nazivna vrtilna hitrost rezalnika mora biti vsaj enaka najvišji navedeni vrtilni hitrosti, navedeni na stroju.** Rezalnik, ki deluje s hitrostjo, višjo od svoje nazivne hitrosti, se lahko zlomi in razleti.
- **Nosite zaščito za oči, ušesa, glavo in roke.** Ustrezna zaščitna oprema zmanjša nevarnost telesnih poškodb zaradi letočih ostankov ali nenamernega stika z rezalno nitko ali rezilom.
- **Med uporabo stroja vedno nosite nedrsečo zaščitno obutev. Stroj ne uporabljajte bosí ali v sandalih.** S tem zmanjšate možnost poškodb stopal zaradi stika s premikajočim se rezalnikom, rezalno nitko ali rezilom.
- **Med uporabo stroja obvezno nosite dolge hlače.** Izpostavljena koža poveča verjetnost poškodb zaradi letočih predmetov.
- **Poskrbite, da se mimoidoči ne približajo stroju med njegovo uporabo.** Zaradi izmeta predmetov lahko pride do hudih telesnih poškodb.
- **Stroj vedno upravljajte z obema rokama.** Če stroj držite z obema rokama, se izognete izgubi nadzora.
- **Stroj držite samo za izolirane površine, ker lahko rezalna nitka ali rezilo prideta v stik s skritimi kablí.** Če se rezalna nitka ali rezila dotaknejo kabla pod napetostjo, lahko napetost preide tudi na ostale kovinske dele stroja, zaradi česar lahko uporabnik doživi električni udar.
- **Vedno imejte ustrezno podlago za noge in stroj upravljajte le, če stojite na tleh.** Na drsečih in nestabilnih površinah lahko izgubite ravnotežje ali nadzor nad strojem.
- **Stroj ne uporabljajte na strminah z izjemno velikim naklonom.** S tem zmanjšate tveganje izgube nadzora, zdrs in padca, ki lahko povzročijo telesne poškodbe.
- **Pri delu na strminah se vedno prepričajte, da stojite na stabilni podlagi, vedno delajte v vodoravni smeri, nikoli navzgor ali navzdol, in bodite izjemno previdni pri spreminjanju smeri.** S tem zmanjšate tveganje izgube nadzora, zdrs in padca, ki lahko povzročijo telesne poškodbe.
- **Med delovanjem stroja se z nobenim delom telesa ne približujte rezalniku, rezalni nitki ali rezilu. Pred zagonom stroja se prepričajte, da rezalni, rezalna nitka ali rezilo ni v stiku z nobenim predmetom.** Trenutek nepozornosti med uporabo stroja lahko povzroči težko osebno poškodbo vas ali drugih.
- **Stroj ne uporabljajte nad višino pasu.** Tako preprečite neželen stik z rezalnikom in omogočite boljši nadzor nad strojem v nepričakovanih okoliščinah.

- **Pri rezanju napetega grmičevja ali mladik bodite pozorni, saj lahko švigne nazaj.** Ko se napetost v lesnih vlaknih sprosti, lahko grmičevje ali mladika oplazita upravljavca, ki posledično izgubi nadzor nad strojem.
- **Bodite še posebej pazljivi pri žaganju grmičevja in mladih dreves.** Drobne veje se lahko zataknejo v rezilo in vas oplazijo ali vržejo iz ravnotežaja.
- **Vzdržujte nadzor nad strojem in se ne dotikajte rezalnika, rezalne nitke ali rezila ter drugih nevarnih gibljivih delov, ko se še premikajo.** Tako zmanjšate tveganje telesnih poškodb zaradi gibljivih delov.
- **Pri odstranjevanju zagozdenega materiala ali pri servisiranju stroja preverite, ali so vsa vklopna stikala izključena in ali je napajalni kabel izključen.** Nepričakovani zagon stroja med odstranjevanjem zataknjene materiala ali med servisiranjem lahko privede do resnih telesnih poškodb.
- **Pri prenašanju stroja mora biti stroj izklopljen in stran od telesa.** Pravilno ravnanje s strojem zmanjša verjetnost nenamernega stika s premikajočim se rezalnikom, rezalno nitko ali rezilom.
- **Pri prenašanju ali shranjevanju stroja obvezno namestite pokrov za kovinska rezila.** S pravilnim ravnanjem s strojem boste zmanjšali možnost nenamernega stika z rezilom.
- **Uporabljajte samo nadomestne rezalnike, rezalne nitke, rezalne glave in rezila, ki jih je določil proizvajalec.** Nepravilni nadomestni deli lahko povečajo nevarnost zloma in telesnih poškodb.
- Prezračevalne odprtine morajo biti obvezno proste.
- Prepričajte se, da je kosilna glava pravilno nameščena na obrezovalnik.
- Pred začetkom morajo biti nameščeni vsi pokrovi, varovala in ročice.
- Preverite, ali je izdelek v brezhibnem delovnem položaju. Preverite ali so vsi vijaki in matice zatesnjeni.
- Preverite, ali sta kosilna glava in ščitnik obrezovalnika nepoškodovana in brez razpok. Zamenjajte kosilno glavo in ščitnik trimerja, če sta bila izpostavljena udarcem ali imata razpoke. Vedno uporabljajte ščitnik, priporočen za rezalni priključek, ki ga uporabljate. Glejte, *Dodatna oprema na strani 372*.
- Izdelek je nevarno orodje, če niste previdni ali če ga ne uporabljate pravilno. Ta izdelek lahko povzroči hude poškodbe oziroma smrt upravljavca ali drugih.
- Ta stroj ni namenjen uporabi s strani oseb (vključno z otroci) z omejenimi telesnimi, zaznavalnimi ali duševnimi sposobnostmi ali osebe z nezadostnimi izkušnjami in znanjem, razen če jih pri uporabi nadzoruje ali jim o uporabi svetuje oseba, ki je odgovorna za njihovo varnost. Otroci morajo biti pod nadzorom, da se s strojem ne igrajo.
- Nikoli ne dovolite otrokom, da uporabljajo napravo ali da so v njeni bližini. Ker je zagon stroja zelo preprost, ga lahko zaženejo tudi otroci, če jih ne nadzorujete. To lahko pomeni tveganje resne osebne poškodbe. Zaradi tega izklopite baterijo, ko naprave ne morete natančno nadzorovati.
- Izdelka in/ali akumulatorja ne smejo uporabljati, vzdrževali ali popravljali otroci ali druge osebe, ki za to niso usposobljene.

## Druge splošne varnostne informacije

- Izdelek izklopite, preden se premaknete na drugo območje. Pred predajo izdelka drugi osebi obvezno odstranite baterijo.
- Izdelka nikoli ne odložite, če ga niste izklopili in odstranili baterije. Kadar je izdelek vklopljen, mora biti vedno pod vašim nadzorom.
- Orodje za rezanje se po izklopu izdelka ne zaustavi takoj.
- Pred začetkom uporabe in po kakršnem koli trku preglejte izdelek in poiščite morebitne poškodbe ter jih po potrebi popravite.
- Če se med uporabo izdelka karkoli zatakne v rezalni priključek, prenehajte delo in izdelek izklopite. Rezalni priključek se mora popolnoma zaustaviti. Pred čiščenjem, pregledom ali popravilom izdelka in/ali rezalne opreme odstranite baterijo.
- Pred uporabo preverite izdelek. Glejte, *Varnostne naprave na izdelku na strani 366 in Vzdrževanje na strani 369*. Ne uporabljajte pokvarjenega izdelka. Izvajajte varnostne preglede in vzdrževalna dela ter upoštevajte servisna navodila, opisana v tem priročniku.
- Poškodovan rezalni priključek lahko pomeni večjo nevarnost nesreč pri delu.
- Preverite, ali je oprema umazana ali razpokana. Z opremo s krtačko odstranite travo in listje. Po potrebi uporabljajte rokavice.
- Napravo shranite v prostoru, ki ga lahko zaklenete, da ni v dosegu otrok in nepooblaščenih oseb.
- Z rokami ali stopali ne posegajte v območja rezanja, še posebej med vklopom motorja.
- Z rokami in nogami ne segajte v območje rezalnega priključka, dokler se popolnoma ne zaustavi in je izdelek izklopljen.
- Ne odstranjujte odrezanega materiala in ne dovolite drugim, da bi ga odstranjevali, kadar je izdelek vklopljen ali se rezalna oprema vrt. Takšno ravnanje lahko povzroči resne poškodbe.
- Ne pozabite, da ste kot uporabnik odgovorni za morebitno izpostavitve ljudi ali njihove lastnine nesrečam ali nevarnosti.
- Nikoli ne smete spreminjati prvotne izvedbe izdelka brez predhodnega dovoljenja proizvajalca. Uporabljajte samo originalno dodatno opremo. Spremembe brez pooblastila in/ali neoriginalni deli lahko povzročijo resne poškodbe ali smrt uporabnika in drugih. Garancija morda ne krije škode ali odgovornosti, ki je nastala zaradi uporabe neodobrenih dodatkov ali nadomestnih delov.
- Edini priključki, ki jih lahko uporabljate s tem izdelkom, so rezalni priključki, ki jih priporočamo v

poglavju z Dodatno opremo. Glejte, *Dodatna oprema na strani 372*.

- Nikoli ne uporabljajte izdelka, katerega prvotne specifikacije so bile na kakršen koli način spremenjene.
- Ne uporabljajte pokvarjenega izdelka. Sledite navodilom za varnostni pregled, vzdrževanje in servis v skladu z napotki v teh navodilih. Nekatere vrste vzdrževalnih del in popravil lahko opravi samo za to usposobljeno strokovno osebje. Glejte navodila v poglavju Vzdrževanje.
- Delo v slabem vremenu izčrpa in pogosto prispeva k dodatnim tveganjem. Zaradi povečanega tveganja uporaba stroja v zelo slabem vremenu ni priporočljiva, na primer v gosti megli, nalivih, močnem vetru, hudem mrazu ali ob nevarnosti udara strele itd.
- Orodja ne uporabljajte z lestve, stola ali drugega dvignjenega položaja, ki ni povsem varen.
- Naprave, ki jih ne uporabljate, shranjujte v zaprtih prostorih – kadar naprave ne uporabljate, jo shranite v notranjem prostoru.
- Vseh možnih situacij ni mogoče predvideti. Pri delu s strojem bodite vedno previdni in prisebni. Izogibajte se situacijam, ki se vam zdijo prezahtevne. Če po branju teh navodil še vedno niste prepričani o delovnih postopkih, se pred nadaljevanjem posvetujte s strokovnjakom.
- V premeru 15 metrov delovnega mesta ne sme biti ljudi ali živali. Če sočasno v območju dela več uporabnikov, mora biti varnostna razdalja med njimi vsaj 15 metrov. To lahko pomeni nevarnost resne telesne poškodbe. V primeru približevanja oseb nemudoma izklopite izdelek. Z izdelkom nikoli ne zamahnite, ne da bi pred tem preverili prostor za sabo in se tako prepričali, da v varnostnem območju ni nikogar.
- Zagotovite, da osebe, živali ali drugi predmeti ne morejo vplivati na nadzor nad izdelkom in ne morejo priti v stik z rezalnim priključkom ali predmeti, ki jih rezalni priključek meče naokrog. Vendar izdelka ne uporabljajte, če v primeru nesreče ne morete priložiti pomoči.
- Prepričajte se, da se lahko varno gibljete in stojite. Če se morate nepričakovano premakniti, preverite okolico za morebitne ovire (korenine, kamenje, veje, jarke, itd.). Pri delu na nagnjenih tleh bodite še posebej previdni.
- Hodite, nikoli ne tecite.
- Preglejte delovno območje. Odstranite vse trde dele, na primer kamenje, razbito steklo, žebelje, jeklene žice, vrvi ipd., ki bi jih rezilo lahko izvržlo ali pa se lahko navijejo okrog rezila ali ščitnika.
- Pazite na kose in veje, ki jih izdelek lahko izvrže med rezanjem. Ne režite preblizu tlam, od koder bi se lahko izvržli kamni in drugi predmeti.
- Kadar je izdelek vklopljen, oblačila ali deli telesa ne smejo priti v stik z rezalnim priključkom. Izdelek držite pod višino pasu.

- Pozor pred izmetom predmetov. Uporabljajte vedno odobrena zaščitna očala. Nikoli se ne nagibajte čez ščitnik rezalnega priključka. Kamenje, odpadki ipd. se lahko odbijejo v oči, to pa lahko povzroči slepoto ali resne poškodbe.
- Bodite vedno pozorni na svarilne znake in klice, ko nosite zaščito za sluh. Zaščito za sluh odstranite takoj, ko se izdelek izklopi.
- Če se pojavi neželjeno tresenje, s kosilno glavo udarite po tleh in tako podaljšajte nitko, da se izdelek preneha tresti.
- Če začne izdelek nenadzorovano tresti, ga izklopite in odstranite baterijo.
- Pri osebah, ki imajo težave s krvnim obtokom, lahko pretirana izpostavljenost tresljam povzroči poškodbe ožilja ali živčevja. Če opazite simptome pretirane izpostavljenosti tresljam, se posvetujte z zdravnikom. Ti simptomi zajemajo otrplost, izgubo občutenja, ščemenje, zbadanje, bolečino, zmanjšano moč in spremembe barve ali stanja kože. Običajno se pojavijo v prstih, na rokah ali na zapestjih.
- Izdelek vedno primite z obema rokama. Izdelek držite ob svojem desnem boku.

## Oseba zaščitna oprema



**OPOZORILO:** Pred uporabo izdelka preberite navodila v povezavi z opozorili v nadaljevanju.

- Pri uporabi izdelka vedno uporabljajte odobreno osebno zaščitno opremo. Osebna zaščitna oprema ne more popolnoma preprečiti poškodb, vendar v primeru nesreče omili posledice. Prodajalec naj vam pomaga izbrati ustrezno opremo.
- Uporabljajte zaščitno čelado, če obstaja nevarnost padajočih predmetov.
- Nosite homologirano zaščito za sluh, ki ustrezno zmanjšuje hrup. Dolgotrajna izpostavljenost hrupu lahko povzroči trajne okvare sluha.
- Uporabljajte odobreno zaščito oči. Tudi če uporabljate vizir, morate vedno uporabljati tudi homologirana zaščitna očala. Homologirana zaščitna očala morajo biti skladna s standardom ANSI Z87.1 za ZDA ali s standardom EN 166 za države EU.
- Za zaščito obraza uporabite vizir. Vizir ne zadostuje za zaščito oči.

(Sl. 19)

- Po potrebi uporabite rokavice, npr. kadar pritrjujete, pregledujete ali čistite rezalno opremo.
- Nosite trpežno obutev, ki ne drsi.
- Uporabljajte oblačila iz trpežnih materialov. Vedno uporabljajte trpežne dolge hlače in dolge rokave. Ne uporabljajte ohlapnih oblačil, ki se lahko zataknejo za veje ali veje. Ne nosite nakita, kratkih hlač in sandalov in ne hodite bos. Lase si varno spnite nad rameni.

(Sl. 20)

- Paket prve pomoči hranite na doseg roke.

(Sl. 21)

## Varnostne naprave na izdelku



**OPOZORILO:** Pred uporabo izdelka preberite navodila v povezavi z opozorili v nadaljevanju.

V tem poglavju so opisane varnostne funkcije izdelka, njihov namen ter kako je stroj treba pregledovati in vzdrževati, da bo deloval pravilno. Glejte navodila v poglavju *Uvod na strani 360* za mesta delov na izdelku.

Življenjska doba izdelka se lahko zaradi nepravilnega vzdrževanja oziroma zaradi nestrokovnih popravil ali servisiranja skrajša, poveča pa se tudi nevarnost nesreč. Če potrebujete več informacij, se obrnite na najbližjega pooblaščenega servisnega trgovca.



**OPOZORILO:** Nikoli ne uporabljajte izdelka s poškodovanimi varnostnimi deli. Varnostno opremo stroja je treba pregledovati in vzdrževati v skladu z navodili, ki so podana v tem poglavju. Če izdelek ob pregledu ne izpolnjuje vseh opisanih pogojev, se nemudoma obrnite na pooblaščenega serviserja za popravilo.



**POZOR:** Vsa servisna dela in popravila na stroju zahtevajo posebno usposabljanje. To še posebej velja za varnostno opremo stroja. Če pri spodaj opisanem pregledu ugotovite, da kateri koli del stroja ne deluje tako, kot je opisano spodaj, se nemudoma obrnite na pooblaščenega servisno delavnico. Pri nakupu vseh naših izdelkov vam jamčimo dostop do strokovnih popravil in servisa. Če stroja niste kupili v kateri od naših pooblaščenih servisnih prodajal, vprašajte prodajalca, kje je najbližja pooblaščenega servisna delavnica.

## Preverjanje uporabniškega vmesnika

1. Pritisnite in pridržite gumb za vklop/izklop (A).
  - a) Izdelek je vklopljen, ko je prikaz (B) osvetljen. (Sl. 22)
  - b) Izdelek je zaustavljen, ko prikaz neha svetiti.
2. Če zasveti ali utripa opozorilni indikator na prikazu, glejte *Uporabniški vmesnik na strani 370*.

## Preverjanje delovanja zaklepa vklopnega sprožilnika

Zaklep sprožilnika plina je zasnovan tako, da preprečuje neželeno delovanje. Ko pritisnete zaklep sprožilnika plina naprej (A) in ga nato pritisnete ob ročaj (B), je sprožilnik plina (C) sproščen. Ko sprostite ročaj, se sprožilnik plina in zaklep sprožilnika plina vrmeta v

izhodiščni položaj. Njuno gibanje uravnava tri med seboj neodvisne vzmeti.

(Sl. 23)

1. Ko je blokada sprožilca plina v izhodiščnem položaju, se prepričajte, da je sprožilec plina res v prvotnem položaju. (Sl. 24)
2. Pritisnite sprožilec plina in se prepričajte, da se ta po sprostitvi vrne v izhodiščni položaj. (Sl. 25)
3. Sprožilnik plina in zaklep sprožilnika plina se morata prosto premikati in povratna vzmet mora delovati pravilno.
4. Zaženite izdelek, glejte *Zagon izdelka na strani 368*.
5. Aktivirajte polno hitrost.
6. Sprostite sprožilnik plina in se prepričajte, da se rezalni priključek ustavi in obmiruje.

## Preverjanje ščitnika rezalnega priključka



**OPOZORILO:** Rezalnega priključka ne uporabljajte brez odobrenega in pravilno nameščenega ščitnika rezalnega priključka. Vedno uporabljajte priporočen ščitnik za nameščen rezalni priključek; glejte *Dodatna oprema na strani 372*. Če namestite pokvarjen ali napačen ščitnik rezalnega priključka, lahko pride do resnih telesnih poškodb.

Ščitnik rezalnega priključka preprečuje izmet predmetov v smer uporabnika. Prav tako preprečuje poškodbe, do katerih bi prišlo, če bi se dotaknili rezalnega priključka.

1. Zaustavite izdelek in odstranite baterijo.
2. Vizualno preverite, da ni prisotnih poškodb, npr. razpok. (Sl. 26)
3. Če je ščitnik rezalnega priključka poškodovan, ga zamenjajte.

## Kosilna glava

- Vedno uporabljajte pravilno kosilno glavo in rezalne priključke ter kosilno nitko. Glejte *Dodatna oprema na strani 372* in navodila za sestavljanje na koncu priročnika.
- Prepričajte se, da rezilo na ščitniku obrezovalnika ni poškodovano.
- Kosilna nitka mora biti vedno trdno in enakomerno navita okrog koluta, da preprečite neobičajno tresenje izdelka. Nitke različnih dolžin lahko povzročijo nepotrebne vibracije. Udarjajte po kosilni glavi, da nastavite pravilno dolžino nitk.

Če želite podaljšati življenjsko dobo nitke, jo lahko pred namestitvijo za dva dni ali več namočite v vodo. Nitka bo tako odpernejša.

## Varnostna navodila za nameščanje



**OPOZORILO:** Pred uporabo izdelka natančno preberite, razumite in upoštevajte ta navodila.

- Preden sestavite izdelek, iz njega odstranite baterijo.
  - Uporabljajte odobrene zaščitne rokavice.
  - Če je ščitnik poškodovan ali ne deluje pravilno, lahko povzroči poškodbe. Ne uporabljajte rezalnega priključka, ki nima nameščenega odobrenega ščitnika.
  - Pred zagonom izdelka se prepričajte, da ste pravilno namestili pokrov in gred.
  - Pogonski disk in oporna prirobnica se morata pravilno zaskočiti v središčno odprtino rezalnega priključka. Če je rezalni priključek nepravilno nameščen, lahko povzroči poškodbe ali celo smrt.
  - Če je priključku priložen oprtnik, ga pravilno namestite na izdelek. Oprtnik omogoča varno delo ter preprečuje poškodbe uporabnika in drugih oseb.
- Pred vzdrževanjem, drugimi pregledi ali sestavljanjem izdelka odstranite baterijo.
  - Uporabnik sme sam izvajati le tista vzdrževalna in servisna dela, ki so navedena v teh navodilih za uporabo. Za obsežnejša vzdrževalna in servisna dela se obrnite na servisnega zastopnika.
  - Baterije ali polnilnika nikoli ne čistite z vodo. Močno čistilo lahko poškoduje plastiko.
  - Če ne vzdržujete izdelka, skrajšate njegovo življenjsko dobo in povečate nevarnost nesreč.
  - Za servisiranje in popravila izdelka, zlasti za varnostne naprave na izdelku, je potrebno posebno usposabljanje. Če po izvedenem vzdrževanju niso vsa preverjanja uspešno opravljena, se obrnite na servisnega zastopnika. Zagotavljamo vam, da so za vaš izdelek na voljo strokovna popravila in servisne storitve.
  - Uporabljajte samo originalne nadomestne dele.
  - Pri popravilu rezalnega priključka morate vedno nositi močne zaščitne rokavice. Rezila so zelo ostra in se lahko hitro poškodujete.

## Varnostna navodila za vzdrževanje



**OPOZORILO:** Pred vzdrževanjem izdelka preberite naslednja opozorilna navodila.

## Montaža

### Namestitev okroglega ročaja

1. Okrogli ročaj namestite na gred med obema puščicama. Okroglega ročaja ali obročka za obešanje ne nameščajte na oznako. (Sl. 27)
2. V režo okroglega ročaja potisnite distančnik.
3. Namestite matico, gumbni in vijak, vendar ne zategnite.
4. Izdelek si prilagodite v najugodnejši delovni položaj.
5. Zategnite vijak.

### Namestitev rezalne opreme

Rezalna oprema vključuje rezalni priključek in ščitnik rezalnega priključka.



**OPOZORILO:** Uporabljajte zaščitne rokavice.



**OPOZORILO:** Vedno uporabljajte ščitnik rezalnega priključka, ki je priporočen za rezalni priključek. Glejte *Tehnični podatki na strani 371*.



**OPOZORILO:** Če je rezalni priključek nepravilno nameščen, lahko pride do poškodb ali celo smrti.

### Preverjanje ščitnika rezalnega priključka

1. Ščitnik rezalnega priključka (A) obesite na kavelj na nosilcu plošče (B). (Sl. 28)
2. Ščitnik rezalnega priključka namestite na gred in ga pritrdite z vijakom (C).

### Odstranitev ščitnika rezalnega priključka

- Sprostite vijak (C) in ščitnik rezalnega priključka (A) odstranite z gredi. (Sl. 29)

### Namestitev kosilnih glav



**OPOZORILO:** Ko nameščate rezalni priključek, je izjemno pomembno, da se dvignjeni del na pogonskem disku/oporni prirobnici pravilno zaskoči v središčno odprtino rezalnega priključka. Če ste rezalni priključek napačno vstavili, lahko povzroči resno in/ali smrtno nevarno poškodbo.



**OPOZORILO:** V nobenem primeru ne smete uporabljati rezalnih priključkov, če niste prej montirali odobrenega ščitnika. Glejte, *Dodatna oprema na strani 372*. Če uporabite pokvarjen ali napačen ščitnik, lahko povzročite resne osebne poškodbe.

## Namestitvev kosilne glave

1. Postavite pogonski disk (B) na pogonsko gred.
2. Obrnite pogonsko gred, da se ena od odprt in pogonskem disku poravna z ustreznim odprtino ohišju menjalnika.

3. Vstavite blokirni zatič (C) v odprtino, da zaklenete gred.
4. Kosilno glavo (H) obrnite v nasprotni smeri urinega kazalca, da jih pritrдите. (Sl. 30)

## Odstranitev kosilne glave

1. Vstavite blokirni zatič (C) v odprtino, da zaklenete gred.
2. Obrnite kosilno glavo (H) v smeri urinega kazalca, da jo odstranite.
3. Pogonski disk (B) odstranite s pogonske gredi. (Sl. 30)

## Delovanje

### Uvod



**OPOZORILO:** Preden začnete uporabljati izdelek, morate prebrati in razumeti poglavje o varnosti.

### Vstavitvev baterije v izdelek



**OPOZORILO:** Za izdelek uporabljajte samo originalne baterije Husqvarna.

1. Baterija mora biti popolnoma napolnjena.
2. Potisnite baterijo v držalo baterije v izdelku. Baterija se zaskoči, ko slišite klik. (Sl. 31)

- Prepričajte se, da so vsi pokrovi, ščitniki, ročaji in rezalna oprema pravilno nameščeni in da niso poškodovani.
- Preverite, ali so na oporni prirobnici razpoke. Če je oporna prirobnica poškodovana, jo zamenjajte.

(Sl. 32)

- Preverite, ali sta kosilna glava in ščitnik rezalnega priključka poškodovana ali razpokana. Če sta kosilna glava in ščitnik rezalnega priključka udarjena ali razpokana, ju zamenjajte.

(Sl. 33)

### Zagon izdelka

1. Pritisnite in pridržite gumb za vklop, dokler ne zasveti zelena lučka LED. (Sl. 34)
2. Hitrost nadzorujte s sprožilnikom plina.

### Omejitev najvišje hitrosti z gumbom za izbiro načina

Izdelek ima gumb za izbiro načina. Z gumbom za izbiro načina lahko uporabnik omeji najvišjo hitrost. Gumb za izbiro načina omogoča tri stopnje hitrosti. Pri nižji hitrosti delo traja dlje. 1. in 2. stopnjo uporabite, kadar za delo ne potrebujete najvišjega števila vrtljajev/polne moči. Če zaradi delovnih pogojev potrebujete najvišje število vrtljajev, uporabite 3. stopnjo. Pri delu ne uporabljajte višje stopnje, kot je potrebno.

1. Pritisnite gumb za izbiro načina, da nastavite najvišjo hitrost. Zelena lučka LED pomeni, da je funkcija vklopljena. (Sl. 35)
2. Za naslednjo hitrostno stopnjo znova pritisnite gumb za izbiro načina.

### Funkcija samodejnega izklopa

Izdelek je opremljen s funkcijo samodejnega izklopa, ki ga zaustavi, če se ta ne uporablja.



**POZOR:** Če baterije ni mogoče preprosto potisniti v držalo baterije, pomeni, da baterija ni pravilno nameščena. Izdelek se lahko tako poškoduje.

3. Baterija mora biti pravilno nameščena.

### Delovni položaj

- Izdelek držite z 2 rokama.
- Izdelek držite ob svojem desnem boku.
- Rezalni priključek naj bo pod višino pasu.
- Izognite se stiku z vročimi površinami.
- Izognite se stiku z rezalnim priključkom.

### Pred uporabo izdelka

- Preglejte delovno območje, da se prepričate, da ste seznanjeni z vrsto terena, naklonom tal in morebitnimi ovirami, kot so kamenje, veje in jarki.
- Opravite generalni pregled izdelka.
- Opravite varnostne preglede, vzdrževanje in servisiranje, ki so navedeni v tem priročniku.



## Prerezovanje trave s kosilno glavo

### Obrezovanje trave

1. Kosilno glavo držite tik nad tlemi pod kotom. (Sl. 36)  
Obrezovalnika trave ne potiskajte v travo.
2. Ko obrezujete travo v bližini predmetov, uporabljajte 80-hitrost. (Sl. 37)

### Košenje trave

1. Pri košnji naj bo obrezovalnik trave vedno vzporeden s tlemi. (Sl. 38)
2. Kosilne glave ne potiskajte ob tla. To lahko povzroči poškodbe tal in izdelka.
3. Kosilna glava se ne sme konstantno dotikati tal, saj se lahko poškoduje.
4. Ko izdelek med košnjo premikate levo in desno, uporabljajte najvišje število vrtljajev. (Sl. 39)  
Obrezovalnik trave naj bo vzporeden s tlemi.

### Pometanje trave

Zračni tok iz vrteče se kosilne nitke je mogoče uporabiti za odstranjevanje trave z določenega območja.

1. Kosilno glavo in njeno nitko držite vzporedno s tlemi, in sicer nad tlemi.
2. Aktivirajte polno hitrost.
3. Kosilno glavo premikajte od ene strani na drugo in tako pometite travo.



**OPOZORILO:** Očistite pokrov kosilne glave vsakič, ko montirate novo kosilno nitko, in tako preprečite neravnovesje in vibracije pri ročajih. Preglejte tudi druge dele kosilne glave in jih po potrebi očistite.

### Zaustavitev izdelka

1. Sprostite sprožilec plina ali zaklep sprožilca plina.
2. Pritisnite gumb za izklop. (Sl. 34)
3. Pritisnite gumba za sprostitvev na bateriji in baterijo izvlecite. (Sl. 40)

## Vzdrževanje

### Uvod



**OPOZORILO:** Pred izvajanjem vzdrževalnih del morate prebrati in razumeti poglavje o varnosti.

### Urnik vzdrževanja



**OPOZORILO:** Pred vzdrževanjem odstranite baterijo.

V nadaljevanju je naveden seznam vzdrževalnih korakov, ki jih je treba opraviti pri izdelku.

Vzdrževanje	Dnevno	Teden-sko	Mesečno
Zunanje dele izdelka očistite s suho krpo. Ne uporabljajte vode.	X		
Preverite pravilno delovanje in brezhibnost gumba za vklop/izklop.	X		
Z varnostnega vidika se prepričajte, da sprožilec plina in zaklep sprožilca plina delujeta pravilno.	X		
Preverite, da upravljalni elementi delujejo in niso poškodovani.	X		
Ročaj mora biti čist, suh in brez olja ali masti.	X		
Rezalni priključek ne sme biti poškodovan. Če je rezalni priključek poškodovan, ga zamenjajte.	X		
Prepričajte se, da ščitnik rezalnega priključka ali nož ni poškodovan. Če je ščitnik rezalnega priključka ali nož poškodovan, ga zamenjajte.	X		
Prepričajte se, da so vijaki in matice dobro priviti.	X		
Prepričajte se, da gumba za sprostitvev na bateriji delujeta in omogočata pravi len zaklep baterije v izdelek.	X		
Baterija ne sme biti poškodovana.	X		

Vzdrževanje	Dnevno	Teden- sko	Mesečno
Baterija mora biti napolnjena.	X		
Prepričajte se, da baterijski polnilnik ni poškodovan in pravilno deluje.	X		
Preverite vse kable, spoje in povezave. Prepričajte se, da niso poškodovani ali umazani.		X	
Prepričajte se, da je kotni prenos pravilno napolnjen z mastjo, glejte <i>Mazanje kotnega prenosa na strani 370</i> . V nasprotnem primeru uporabite mast za kotne prenose Husqvarna.		X	
Preverite priključke med baterijo in izdelkom. Preverite priključek med baterijo in polnilnikom baterije.			X

## Čiščenje izdelka, baterije in polnilnika baterije

1. Izdelek po uporabi očistite s suho krpo.
2. Baterijo in polnilnik baterije očistite s suho krpo. Vodila baterije morajo biti vedno čista.
3. Poli na bateriji in polnilniku baterije morajo biti čisti, ko vstavite baterijo v polnilnik ali izdelek.

## Mazanje kotnega prenosa

1. Odstranite rezalno opremo.
2. Izdelek s čepom za mast postavite v najvišji položaj.
3. Odstranite čep za mast. (Sl. 41)

4. Poglejte v odprtino čepa za mast in obrnite pogonsko gred. Raven masti (A) mora biti poravnan z zgornjim delom zobov (B). (Sl. 42)
5. Če je raven masti prenizka, poševni prenos napolnite Husqvarna z mastjo za kotne prenose. Počasi napolnite in obrnite pogonsko gred, ko nanašate mast za kotne prenose, ustavite na ustrezni ravni (B).



**POZOR:** Napačna količina masti lahko poškoduje kotni prenos.

6. Namestite čep za mast.

## Odpravljanje težav

### Uporabniški vmesnik

Težava	Možne napake	Možen ukrep
Indikator LED baterije utripa oranžno	Nizka napetost baterije.	Napolnite baterijo.
Utripanje rdeče lučke LED za napako.	Preobremenitev.	Rezalni priključek se je zagostil. Izključite izdelek. Odstranite baterijo. Z rezalnega priključka odstranite neželeni material.
	Odstopanje temperature.	Počakajte, da se izdelek ohladi.
	Hkrati sta pritisnjena sprožilec plina in gumb za vklop.	Sprostite sprožilec plina in izdelek bo spet aktiven.
Izdelka ni mogoče zagnati	Umazanija v priključkih baterije.	Priključke baterije očistite s komprimiranim zrakom ali mehko krtačko.
Dioda LED za napako sveti rdeče	Izdelek je treba servisirati.	Obrnite se na servisnega zastopnika.

# Transport skladiščenje in odstranitev

## Prevoz in skladiščenje

- Priložene litij-ionske baterije so skladne z zahtevami zakonodaje o nevarnem blagu.
- Pri transportu, tudi če ga izvaja tretja oseba ali posrednik, je treba upoštevati posebna navodila na embalaži in nalepkah.
- Pred pošiljanjem izdelka se posvetujte z osebo, ki je posebej usposobljena za nevarne snovi. Upoštevajte vse veljavne nacionalne predpise.
- Ob vstavljanju baterije v paket prelepite izpostavljene kontakte. Baterijo vstavite v paket tako, da se ne more premikati.
- Pri skladiščenju ali prevozu vedno odstranite baterijo.
- Baterijo in polnilnik baterije hranite v suhem prostoru, kjer ni vlage in zmrzali.
- Baterijske ne shranjujte v prostoru, v katerem je lahko prisotna statična elektrika. Baterije ne shranjujte v kovinski škatli.
- Baterijo shranite v prostor s temperaturami med 5 in 25 °C (41–77 °F), v katerem ne sme biti izpostavljena neposredni sončni svetlobi.
- Polnilnik baterije shranite v prostor s temperaturami med 5 in 45 °C (41–113 °F) tako, da ne bo izpostavljen neposredni sončni svetlobi.
- Polnilnik baterije uporabljajte samo v okolju s temperaturami od 5 do 40 °C (41–104 °F).

- Pred dolgotrajnejšim skladiščenjem mora biti baterija napolnjena med 30 % in 50 %.
- Polnilnik baterije shranite v zaprt in suh prostor.
- Med shranjevanjem baterija ne sme biti v bližini polnilnika. Otroci in druge nepooblaščen osebe se ne smejo dotikati opreme. Oprema mora biti shranjena v prostoru, ki ga je mogoče zakleniti.
- Pred dolgotrajnejšim skladiščenjem izdelke očistite in opravite popoln servis.
- Pred prevozom in skladiščenjem na izdelek namestite transportno zaščito, da preprečite telesne poškodbe ali škodo na izdelku.
- Med prevozom varno pritrdite izdelek.

## Odstranitev baterije, polnilnika baterije in izdelka

Simboli na izdelku ali njegovi embalaži opozarjajo, da izdelka ne smete obravnavati kot gospodinjskega odpadka. Treba ga je reciklirati v zbirnem centru za reciklažo električne in elektronske opreme. Tako se pomaga preprečiti škodovanje okolju in ogrožanje zdravja ljudi.

Za več informacij o recikliranju svojega izdelka se obrnite na lokalne oblasti, službo za gospodinjske odpadke ali prodajalca.

## Tehnični podatki

### Tehnični podatki

	<b>325iL</b>
<b>Motor</b>	
Tip motorja	BLDC (brezkrtični enosmerni) 36 V
Hitrost pogonske gredi, 1/min	5800
Širina rezanja, mm	420
<b>Teža</b>	
Teža brez akumulatorske baterije in rezalnega priključka, kg	3,0
<b>Emisije hrupa</b> <sup>70</sup>	
Raven zvočne moči, izmerjena v dB (A)	93

<sup>70</sup> Emisije hrupa v okolje, merjene kot moč zvoka (LWA), v skladu z direktivo ES 2000/14/ES. Navedena raven zvočne moči naprave je bila izmerjena z originalnim rezalnim priključkom, ki dosega najvišjo raven. Razlika med zajamčeno in izmerjeno ravno zvočne moči je, da zajamčena raven zvočne moči v skladu z Direktivo 2000/14/ES vključuje tudi razpršitev rezultata meritve in razlike med različnimi napravami istega modela.

	<b>325iL</b>
Raven zvočne moči, zajamčena $L_{WAdB}$ (A)	96
<b>Ravni hrupa</b> <sup>71</sup>	
Ekvivalentna raven zvočnega tlaka na uporabnikovem ušesu, merjena po ISO 22868, dB (A):	
Opremljeno s kosilno glavo (originalno)	84
<b>Ravni vibracij</b> <sup>72</sup>	
Ravni vibracij pri ročajih, izmerjene v skladu s standardom ISO 22867, $m/s^2$	
Opremljeno s kosilno glavo (originalno), spredaj/zadaj, $m/s^2$	4,3/2,9

## Homologirane baterije

<b>Baterija</b>	<b>BLi 200</b>
Vrsta	Litij-ionska
Zmogljivost baterije, Ah	5,2
Nazivna napetost, V	36
Teža, kg (lb)	1,3 (2,9)

## Odobreni polnilniki baterije

<b>Polnilnik baterije</b>	<b>QC330</b>
Vhodna napetost, V	100–240
Frekvenca, Hz	50–60
Moč, W	330

---

## Dodatna oprema

---

## Dodatki

<b>Odobren pribor</b>	<b>Vrsta pribora</b>	<b>Ščitnik rezalnega priključka, št. izdelka</b>
Središčna odprtina v rezilih/nožih, premer 25,4 mm		

<sup>71</sup> Podatki za raven zvočnega tlaka za napravo imajo tipično statistično razpršitev (standardni odklon) v vrednosti 3 dB (A) in so bili izmerjeni z originalnim nastavkom, ki dosega najvišjo raven hrupa.

<sup>72</sup> Zabeleženi podatki za raven vibracij imajo tipično statistično razpršitev (standardni odklon) 2  $m/s^2$ . Za primerjavo ravni tresljajev pri izdelkih, ki delujejo na baterije in različna goriva, uporabite računalnik za izračun tresljajev. <https://www.husqvarna.com/uk/services-solutions/vibration-calculator/>.

Odobren pribor	Vrsta pribora	Ščitnik rezalnega priključka, št. izdelka
Navoj pogonske gredi M10		
Kosilna glava	T35 (Spiralna kosilna nitka Whispersper s premerom do 2,4 mm)	597 01 62-02

# Izjava o skladnosti

## Izjava EU o skladnosti

Mi, **Husqvarna AB**, SE--561 82 Huskvarna, Švedska,  
tel.: +46-36-146500, izjavljamo na lastno odgovornost,  
da je izdelek:

<b>Opis</b>	Baterijski obrezovalnik trave
<b>Znamka</b>	Husqvarna
<b>Vrsta/model</b>	325iL
<b>Identifikacija</b>	Serijske številke od letnika 2023 dalje

v celoti skladen z naslednjimi direktivami in uredbami  
EU:

<b>Direktiva/uredba</b>	<b>Opis</b>
2006/42/ES	"o strojih"
2014/30/EMC	o elektromagnetni združljivosti
2011/65/EU	"o omejitvi uporabe določenih nevarnih snovi"
2000/14/EC	o zunanjem hrupu

in so pri tem v veljavi naslednji standardi in/ali tehnične  
specifikacije: EN 62841-1:2015/AC:2015, EN 62841-4-4  
(IEC 62841-4-4:2020), EN 61000-6-1:2007 (Immunity),  
EN 61000-6-3:2007/A1:2011/AC:2012 (Emission).



Družba RISE SMP Svensk Maskinprovning AB, Box  
4053, SE-904 03 Umeå, Sweden je izvedla prostovoljni  
tipski pregled v skladu s Prilogo IX k Direktivi  
2006/42/ES. Št. potrdila: SEC/23/2579.

Družba Notified body: 0404, RISE SMP Svensk  
Maskinprovning AB, Box 4053, SE-904 03 Umeå,  
Sweden je tudi preverila skladnost z Dodatkom VI  
Direktive sveta 2000/14/ES.

Za informacije v zvezi z emisijami hrupa glejte poglavje  
*Tehnični podatki na strani 371.*

Huskvarna, 2022-12-01

Stefan Holmberg, direktor oddelka za raziskave in  
razvoj, tehnološko upravljanje, Husqvarna AB

Odgovorni za tehnično dokumentacijo

---

## Sadržaj

---

Uvod.....	375	Transport, skladištenje i odlaganje.....	386
Bezbednost.....	376	Tehnički podaci.....	386
Sklapanje.....	382	Oprema.....	387
Rukovanje.....	383	Deklaracija o usaglašenosti.....	389
Održavanje.....	384	Appendix .....	447
Rešavanje problema.....	385		

---

## Uvod

---

### Opis proizvoda

Husqvarna 325iL je akumulatorski trimmer za travu sa elektromotorom.

Neprestano radimo na povećanju bezbednosti i efikasnosti rada. Obratite se serviseru za više informacija.

### Namena

Koristite proizvod sa glavom trimera za rezanje različitih tipova vegetacije. Koristite proizvod jedino za skraćivanje i raščišćavanje trave.

### Pregled proizvoda

(Sl. 1)

1. Uputstvo za rukovaoca
2. Menjač ugla
3. Otvor za blokirajuću osovinicu
4. Trimi glava
5. Štitnik priključka za košenje
6. Pogonski disk
7. Kombinovani ključ
8. Kružna drška
9. Dugme
10. Osovinica
11. Blokirajuća osovinica
12. LED indikator upozorenja
13. Dugme za pokretanje/zaustavljanje
14. Dugme za režim brzine
15. Zaključavanje obarača gasa
16. Korisnički interfejs
17. Obarač gasa
18. Kabl punjača baterije
19. Punjač baterije
20. LED indikator napajanja i upozorenja
21. Dugme za otpuštanje baterije
22. Baterija
23. LED indikator statusa punjenja
24. LED lampica upozorenja
25. Dugme indikatora baterije

**Napomena:** Državni ili lokalni propisi mogu da regulišu korišćenje. Poštujte date propise.

---

Koristite proizvod samo sa opremom koja je odobrena od strane proizvođača. Pogledajte *Oprema na stranici 387*.

### Simboli na proizvodu

- (Sl. 2) UPOZORENJE! Proizvod može biti opasan! Nemarna ili nepravilna upotreba može dovesti do teške ili smrtno povrede rukovaoca ili drugih osoba. Izuzetno je važno da pročitate i razumete sadržaj ovog uputstva za rukovaoca. Pažljivo pročitate i shvatite sadržaj korisničkog uputstva pre upotrebe proizvoda.
- (Sl. 3) Koristite odobrenu zaštitu za sluh. Koristite odobrenu zaštitu za oči.
- (Sl. 4) Maksimalna brzina ili brzina bez opterećenja.
- XXXX /min ili  
min<sup>-1</sup> | Broj obrtaja ili rezanja po minutu.
- (Sl. 5) Nominalni napon, V
- (Sl. 6) Jednosmerna struja.
- (Sl. 7) Proizvod je usaglašen sa važećim direktivama EZ.
- (Sl. 8) Proizvod je usaglašen sa važećim direktivama UK.

- (Sl. 9) Koristite odobrene zaštitne rukavice. se ne koristi preporučena bezbednosna oprema.
- (Sl. 10) Nosite neklizajuće i čvrste čizme.
- (Sl. 11) Koristite samo nemetalni fleksibilan nastavak za rezanje.
- (Sl. 12) Simboli na ovom proizvodu ili njegovom pakovanju ukazuju na to da se ovim proizvodom ne može rukovati kao otpadom iz domaćinstva. Proizvod se može odložiti u odgovarajućem centru za reciklažu.
- (Sl. 13) Priključak može da pomeri predmete koji zatim mogu da odskoče nazad. To može da dovede do teških povreda očiju ako
- (Sl. 14) Iskopčajte bateriju pre radova na održavanju.
- (Sl. 15) Ovaj proizvod ima zaštitu od prskanja vode.
- (Sl. 16) Vodite računa da neki deo tela ne dođe u kontakt sa površinama visoke temperature.
- (Sl. 17) Oznaka emisije buke u okruženje u skladu sa direktivama i propisima EU i UK i propisom o zaštiti radova u okruženju (kontrola buke) Novog Južnog Velsa iz 2017. Garantovani nivo zvučne snage za ovaj proizvod naveden je u *Tehnički podaci na stranici 386.*

yyyywwxxxx

Pločica tipa prikazuje serijski broj. **yyyy** je godina proizvodnje, **ww** je nedelja proizvodnje, a **xxxx** je redni broj.

(Sl. 18)

Rukovalac mora da obezbedi da se ljudi ili životinje ne približavaju na manje od 15 metara. Kada nekoliko rukovalaca radi na istoj lokaciji, mora da se održava bezbedna udaljenost od najmanje 15 metara.

**Napomena:** Ostali simboli/nalepnice na proizvodu se odnose na zahteve u vezi sa sertifikacijom na drugim tržištima.

## Oštećenje proizvoda

Nismo odgovorni za oštećenja proizvoda u sledećim slučajevima:

- proizvod je popravljen na pogrešan način
- proizvod je popravljen korišćenjem delova koji nisu napravljeni ili odobreni od strane proizvođača
- proizvod ima opremu koja ne potiče ili nije odobrena od strane proizvođača
- proizvod nije popravljen u ovlašćenom servisnom centru ili od strane ovlašćenog stručnjaka

# Bezbednost

## Bezbednosne definicije

Upozorenja, mere opreza i napomene se koriste da ukažu na naročito važne delove korisničkog uputstva.



**UPOZORENJE:** Koristi se ako, usled nepoštovanja uputstava, postoji rizik od nastanka telesnih povreda ili smrti kod rukovaoca ili prisutnih osoba.



**OPREZ:** Koristi se ako, usled nepoštovanja uputstava, postoji rizik od nastanka oštećenja na proizvodu, drugim materijalima ili susednim oblastima.

**Napomena:** Koristi se za pružanje više informacija koje su neophodne u datoj situaciji.

## Opšta bezbednosna upozorenja za električni alat



**UPOZORENJE:** Pročitajte sva bezbednosna upozorenja, uputstva, ilustracije i specifikacije koje su obezbeđene uz ovaj električni alat. Nepridržavanje svih uputstava navedenih u nastavku može da dovede do strujnog udara, požara i/ili teških telesnih povreda.

- **Sačuvajte sva upozorenja i uputstva kao referencu za kasnije.** Izraz „električni alat“ iz upozorenja se odnosi na električni alat koji se napaja preko električne mreže (putem kabla) ili akumulatora (bežično).



## Bezbednost u oblasti rada

- **Držite radnu oblast čistom i dobro osvetljenom.** U neurednim ili mračnim oblastima nezgode se češće dešavaju.
- **Ne radite sa električnim alatima u eksplozivnim okruženjima, npr. u prisustvu zapaljivih tečnosti, gasova ili prašine.** Električni alati stvaraju iskre koje mogu da zapale prašinu ili isparenja.
- **Neka se deca i posmatrači udalje dok radite sa električnim alatom.** Skretanje pažnje može da dovede do toga da izgubite kontrolu.

## Električna bezbednost

- **Utičkači električnog alata moraju da odgovaraju utičnici.** Nikad nemojte ni na koji način da modifikujete utikač. Nemojte da koristite adaptere pri radu sa uzemljenim električnim alatom. Nemodifikovani utikači u odgovarajuće utičnice će smanjiti rizik od strujnog udara.
- **Izbegavajte telesni kontakt sa uzemljenim površinama kao što su cevi, radijatori, šporeti i frižideri.** Postoji povećani rizik od strujnog udara ukoliko je vaše telo uzemljeno.
- **Nemojte izlagati električne alate kiši i vlazi.** Ako voda proдре u električni alat, povećaćе se opasnost od strujnog udara.
- **Nemojte nepropisno da postupate sa kablom.** Nikada ne koristite kabl za nošenje, vuču ili isključivanje električnog alata. Držite kabl dalje od izvora toplote, ulja, oštih ivica i pokretnih delova. Oštećeni ili zamršeni kablovi povećavaju rizik od strujnog udara.
- **Kada radite sa električnim alatom na otvorenom, koristite produžni kabl koji je pogodan za upotrebu na otvorenom.** Korišćenje kabla koji je pogodan za upotrebu na otvorenom smanjuje rizik od strujnog udara.
- **Ako ne može da se izbegne korišćenje električnog alata na vlažnom mestu, koristite napajanje preko zaštitnog uređaja diferencijalne struje (RCD).** Upotreba RCD-a smanjuje rizik od strujnog udara.

## Lična bezbednost

- **Budite na oprezu, ne skrećite pogled sa onoga što radite i rukuјte alatom zdravorazumski.** Nemojte da koristite električni alat ako ste umorni ili pod dejstvom droge, alkohola ili lekova. Trenutak nepažnje prilikom rada sa električnim alatima može da dovede do ozbiljnih telesnih povreda.
- **Koristite ličnu zaštitnu opremu. Uvek nosite zaštitu za oči.** Zaštitna oprema poput zaštitne maske od prašine, sigurnosnih neklizajućih cipela, kacige ili zaštitе za sluh koja se koristi u odgovarajućim uslovima smanjuje telesne povrede.
- **Sprečite slučajno pokretanje. Pobrinite se da je prekidač u isključenom položaju pre priključivanja na izvor napajanja i/ili prenosivi punjač baterije, podizanja ili nošenja alata.** Nošenje električnog alata sa prstom na prekidaču ili napajanje električnog

alata sa prekidačem u položaju za uključenje može da dovede do nezgode.

- **Uklonite ključ za podešavanje ili francuski ključ pre uključivanja električnog alata.** Francuski ključ ili ključ koji ostanu pričvršćeni za obrtni deo električnog alata mogu da dovedu do telesne povrede.
- **Nemojte se preterano naginjati. Uvek budite oslonjeni na obe noge i pazite na ravnotežu.** To će vam omogućiti bolju kontrolu nad električnim alatom u nepredviđenim situacijama.
- **Budite propisno odeveni. Nemojte da nosite nakit ili široku odeću.** Vodite računa da vam kosa i odeća ne dođu u dodir sa pokretnim delovima. Pokretni delovi mogu da zakače široku odeću, nakit ili dugu kosu.
- **Ukoliko su obezbeđeni uređaji za povezivanje aparata za izbacivanje ili sakupljanje prašine, proverite da li su povezani i da li se pravilno koriste.** Korišćenje aparata za prikupljanje prašine može da smanji broj kvarova koji su nastali usled prašine.
- **Nemojte dozvoliti da vam iskustvo koje ste stekli kroz čestu upotrebu alata stvori osećaj samopouzdanja i da se ne pridržavate principa u vezi sa bezbednošću.** Nemarna radnja može da izazove teške povrede u deliću sekunde.

## Upotreba i održavanje električnog alata

- **Nemojte da koristite električni alat na silu. Koristite električni alat koji odgovara nameni.** Adekvatan električni alat će bolje i sigurnije obaviti posao u meri za koju je napravljen.
- **Ne koristite električni alat ako se prekidačem alat ne uključuje ili ne isključuje.** Svaki električni alat koji ne može da se kontrolise putem prekidača je opasan i mora da se popravi.
- **Isključite utikač iz izvora električne energije i/ili uklonite akumulator, ako se može odvojiti, sa električnog alata pre nego što pristupite bilo kakvom podešavanju, promeni dodatne opreme ili skladištenju električnog alata.** Takve bezbednosne preventivne mere smanjuju rizik od slučajnog uključivanja električnog alata.
- **Električni alat koji se ne koristi čuvajte dalje od dohvata dece i nemojte da dozvoljavate rad sa alatom osobama koje nisu upoznate sa njim ili ovim uputstvima.** Električni alat je opasan kada njime rukuju neobučeni korisnici.
- **Održavajte električne alate i dodatnu opremu. Proverite da li su pokretni delovi poravnati i pričvršćeni, da li postoje pukotine na delovima i sva druga stanja koja mogu uticati na rad električnog alata. Ukoliko je oštećen, električni alat odnesite na popravku pre korišćenja.** Mnoge nezgode su prouzrokovali loše održavani električni alati.
- **Održavajte alat za sečenje oštirim i čistim.** Alat za sečenje koji se pravilno održava i ima oštre rezne vrhove se ređe krivi i lakše kontrolise.
- **Električni alat, pribor, delove alata itd. koristite u skladu sa ovim uputstvima uzimajući u obzir radne uslove i posao koji treba da se obavi.** Korišćenje

električnog alata za operacije za koje nije namenjen može da dovede do opasnih situacija.

- **Ručke i prihvatne površine bi trebalo da budu suve, čiste i bez ostatka ulja i maziva.** Klizave ručke i prihvatne površine ne omogućavaju bezbedno rukovanje i kontrolu alata u neočekivanim situacijama.

## Upotreba i održavanje baterijskog alata

- **Punite samo punjačem koji je naznačen od strane proizvođača.** Punjač koji je odgovarajući za jedan tip baterije može stvoriti rizik od požara kada se koristi sa drugom baterijom.
- **Koristite električne alate samo sa posebno naznačenim baterijama.** Korišćenje drugih baterije može stvoriti rizik od telesne povrede i požara.
- **Kad se baterija ne koristi držite je dalje od metalnih predmeta, kao što su spajalice, novčići, ključevi, ekseri, zavrtnji ili slični mali metalni predmeti koji mogu da naprave spoj između polova baterije.** Kratko spajanje polova baterije može da izazove opekotine ili požar.
- **U opasnim uslovima, tečnost može da prsne iz baterije; izbegavajte kontakt.** Ako do kontakta slučajno dođe, isperite to mesto vodom. Ako tečnost dođe u kontakt sa očima, dodatno potražite lekarsku pomoć. Tečnost koja prsne iz baterije može da prouzrokuje iritaciju ili opekotine.
- **Ne koristite baterije i uređaje koji su oštećeni ili modifikovani.** Oštećeni ili modifikovani akumulatori mogu biti nepredvidivi što može dovesti do vatre, eksplozije i rizika od povrede.
- **Baterije ili uređaj nemojte da izlažete vatri ili previsokoj temperaturi.** Izlaganje vatri ili temperaturi iznad 130 °C / 266 °F može dovesti do eksplozije.
- **Pridržavajte se svih uputstava za punjenje i nemojte da punite akumulator ili uređaj izvan opsega temperature koji je naveden u uputstvima.** Nepravilno punjenje ili temperature izvan navedenog opsega mogu oštetiti bateriju i povećati rizik od požara.

## Servis

- **Servisiranje električnog alata poverite kvalifikovanom serviseru koji isključivo koristi iste rezervne delove.** Tako ćete biti sigurni u održavanje bezbednosti električnog alata.
- **Nikad ne servisirajte oštećene akumulateore.** Servisiranje akumulatora treba da vrši samo proizvođač ili ovlašćeni serviseri.

## Bezbednosna upozorenja za trimer za travu, rezač žbunja i četke za testeru

- **Nemojte koristiti mašinu po lošim vremenskim uslovima, naročito kada postoji opasnost od groma.** Time se smanjuje rizik od udara groma.
- **Temeljito pregledajte oblast u pogledu faune tamo gde će se mašina koristiti.** Mašina može tokom rada prouzrokovati povrede životinja.

- **Pažljivo pregledajte oblast u kojoj će se mašina koristiti i uklonite sve kamenje, grane, žice, kosti i ostale strane predmete.** Izbačeni predmeti mogu da nanesu telesne povrede.
- **Pre korišćenja mašine, uvek vizuelno proverite kako biste utvrdili da rezač i sklop rezača nisu oštećeni.** Oštećeni delovi povećavaju rizik od povrede.
- **Pridržavajte se uputstava za zamenu dodatne opreme.** Neispravno pričvršćene navratke ili zavrtnji na nožu mogu izazvati oštećenje noža ili dovesti do toga da se otkaci.
- **Deklarisana rotaciona brzina rezača mora da bude bar jednaka najvećoj brzini navedenoj na mašini.** Rezači koji rotiraju brže od svoje deklarisanone rotacione brzine mogu da se slome i razlete.
- **Nosite zaštitu za oči, sluh i glavu.** Adekvatna zaštitna oprema će umanjiti stepen telesne povrede prouzrokovane letecim izbačenim otpacima ili slučajnim kontaktom sa linijom sečenja ili nožem.
- **Dok rukujete mašinom, uvek nosite neključuju zaštitnu obuću. Ne rukujte mašinom bosim ili u otvorenim sandalima.** Time se smanjuje mogućnost povrede stopala usled kontakta sa pokretnim sekačem, linijom sečenja ili nožem.
- **Dok rukujete mašinom, uvek nosite duge nogavice.** Izložena koža povećava verovatnoću povrede izbačenim predmetima.
- **Neka prisutne osobe budu udaljene dok rukujete mašinom.** Delovi isečene vegetacije koji su izbačeni mogu da imaju za rezultat tešku telesnu povredu.
- **Uvek koristite obe ruke kada rukujete mašinom.** Ako mašinu držite sa obe ruke nećete izgubiti kontrolu nad njom.
- **Mašinu držite isključivo za izolovane rukohvate, budući da linija sečenja ili sečivo mogu da dođe u kontakt sa skrivenim kablovima.** Linija sečenja ili noževi koji su u kontaktu sa žicom pod naponom dovode do toga da izloženi metalni delovi mašine budu pod naponom i mogu da zadaju strujni udar rukovaocu.
- **Uvek držite ispravan položaj nogu i koristite mašinu samo kada stojite na tlu.** Klizave ili nestabilne površine mogu da izazovu gubitak ravnoteže ili kontrole nad mašinom.
- **Nemojte rukovati mašinom na previše strmim nagibima.** Tako ćete smanjiti rizik od gubitka kontrole, klizanja i pada koji može da dovede do povrede.
- **Prilikom rada na nagibima, uvek osigurajte siguran oslonac stopala, uvek radite preko lica nagiba, nikada gore ili dole nagiba i budite naročito pažljivi kada se okrećete.** Tako ćete smanjiti rizik od gubitka kontrole, klizanja i pada koji može da dovede do povrede.
- **Držite sve delove tela podalje od rezača, linije sečenja ili noža dok mašina radi. Pre pokretanja mapine, proverite da rezač, linija sečenja ili nož ne dodiruju ništa.** Trenutak nepažnje prilikom korišćenja mašine može da dovede do teških telesnih povreda za vas ili druge.

- **Nemojte rukovati mašinom iznad visine struka.** To pomaže u sprečavanju slučajnog kontakta rezača ili noža i omogućava bolju kontrolu nad mašinom u neočekivanim situacijama.
- **Prilikom rezanja žbunja ili mladice koja je napeta budite na oprezu zbog odskakanja.** Kada se napetost u vlaknima otpusti, žbunje ili mladica mogu udariti rukovaoca i/ili izbaciti mašinu iz ravnoteže.
- **Budite izuzetno pažljivi prilikom rezanja žbunja i mladica.** Tanak materijal može zakačiti nož i ošiniti u vašem pravcu ili vas izbaciti iz ravnoteže.
- **Držite kontrolu nad mašinom i nemojte dodirivati rezače, liniju sečenja ili noževe i druge opasne pokretne delove dok se još kreću.** Time se smanjuje rizik od povrede pokretnim delovima.
- **Prilikom uklanjanja zaglavljenog materijala ili čišćenja mašine, uverite se da su svi prekidači za pokretanje isključeni i da je kabl za napajanje odvojen.** Neočekivano pokretanje mašine prilikom uklanjanja zaglavljenog materijala ili servisiranja može dovesti do teških telesnih povreda.
- **Nosite mašinu samo kada je isključena i to tako da je odmaknuta od vašeg tela.** Pravilno rukovanje mašinom će umanjiti verovatnoću slučajnog kontakta sa rezačem linijom sečenja ili nožem.
- **Prilikom transporta ili čuvanja mašine uvek navucite štitnik na metalne noževe.** Pravilno rukovanje mapinom umanjice verovatnoću slučajnog kontakta sa nožem.
- **Koristite samo zamenske rezače, linije, rezne glave i noževe koje je naveo proizvađač.** Neodgovarajući zamenski delovi mogu povećati rizik od lomljenja i povrede.

## Ostale opšte bezbednosne informacije

- Isključite proizvod pre nego što pređete u drugu oblast. Uvek uklonite bateriju kada predajete proizvod drugoj osobi.
- Ne spuštajte proizvod dok ga ne isključite i ne uklonite bateriju. Ne ostavljajte proizvod bez nadzora ako je uključen.
- Alatka za rezanje se ne zaustavlja čim se proizvod isključuje.
- Pre korišćenja proizvoda i posle svakog udara proverite ima li znaka habanja ili oštećenja i izvršite popravke ako je neophodno.
- Ako se išta zaglavi u nastavku za rezanje dok koristite proizvod, zaustavite i deaktivirajte proizvod. Uverite se da se nastavak za rezanje potpuno zaustavio. Uklonite bateriju pre čišćenja, pregleda i popravke proizvoda i/ili opreme za rezanje.
- Proverite proizvod pre upotrebe. Pogledajte *Bezbednosni uređaji na proizvodu na stranici 381 i Održavanje na stranici 384*. Nemojte koristiti oštećeni proizvod. Pratite uputstva za bezbednosne provere, održavanje i servisiranje opisana u ovom priručniku.
- Neispravan dodatak za rezanje može da poveća opasnost od nezgoda.
- Proverite da li je prenosnik zaprljan ili naprsao. Očistite travu i lišće sa prenosnika četkom. Po potrebi nosite rukavice.
- Uvek osigurajte da su ventilacioni otvori čisti od otpadaka.
- Proverite da li je glava trimera potpuno spojena sa trimerom.
- Svi poklopci, štitnici i ručice moraju biti postavljeni pre početka rada.
- Uverite se da je proizvod u besprekornom radnom stanju. Proverite da li su sve navrtke i zavrtjni dobro pričvršćeni.
- Proverite da li su glava trimera i štitnik trimera oštećeni ili napukli. Promenite glavu trimera ili štitnik trimera ukoliko su bili izloženi udaru ili imaju naprsline. Uvek upotrebite preporučeni štitnik za specifičan nastavak za rezanje. Pogledajte *Oprema na stranici 387*.
- Ovaj proizvod je opasan ako se koristi nepažljivo ili nepravilno. Ovaj proizvod može prouzrokovati teške telesne povrede ili smrt rukovaoca i drugih osoba.
- Uređaj ne bi trebalo da koriste osobe (uključujući decu) ograničenih fizičkih, senzornih ili mentalnih sposobnosti, ili osobe kojima nedostaje znanje i iskustvo, osim ako ih osoba odgovorna za njihovu bezbednost ne nadgleda ili im ne da uputstva koja se tiču korišćenja uređaja. Potrebno je vršiti stalni nadzor nad decom da biste bili sigurni da se ne igraju sa uređajem.
- Ne dozvolite deci da koriste mašinu ni da budu u njenoj blizini. Pošto se mašina lako pokreće, deca mogu da je pokrenu ako nisu pod nadzorom. To nosi rizik od teških telesnih povreda. Zato odvojte bateriju kad mašina nije pod nadzorom.
- Ne dozvolite deci ili osobama koje nisu obučene da koriste proizvod i/ili bateriju ili da ih servisiraju.
- Skladite opremu na mesto koje možete zaključiti tako da bude van domašaja dece i neovlašćenih lica.
- Uvek držite ruke i stopala dalje od reznog prostora i naročito pazite pri pokretanju motora.
- Držite ruke i stopala dalje od nastavka za rezanje dok se potpuno ne zaustavi pri isključivanju proizvoda.
- Nemojte uklanjati isečeni materijal niti dozvoljavati drugim osobama da uklanjaju isečeni materijal dok motor radi ili se oprema za rezanje okreće jer to može imati za posledicu tešku telesnu povredu.
- Imajte na umu da ste vi kao lice koje rukuje mašinom odgovorni za sve osobe u okolini i njihovu svojinu, odnosno da treba da vodite računa da ih ne izložite nesrećama ili opasnostima.
- Ni u kom slučaju ne smete bez odobrenja proizvođača prepravljati prvobitnu konstrukciju proizvoda. Uvek upotrebljavajte originalnu opremu. Neovlašćene modifikacije i/ili oprema mogu dovesti do teške povrede ili smrti rukovaoca ili drugih osoba. Garancija ne pokriva štete ni odgovornost nastale korišćenjem neodobrenih dodataka i rezervnih delova.

- Jedina oprema koju možete da koristite sa ovim proizvodom su nastavci za rezanje preporučeni u odeljku o dodatnoj opremi. Pogledajte *Oprema na stranici 387*.
- Ne koristite proizvod koji je na bilo koji način modifikovan u odnosu na originalne specifikacije
- Nikad nemojte koristiti proizvod koji je neispravan. Izvršite uputstva za bezbednosne provere, održavanje i servisiranje koja su opisana u ovom priručniku. Neke postupke održavanja i servisiranja moraju da izvrše obučeni i kvalifikovani stručnjaci. Pogledajte uputstva u poglavlju „Održavanje“.
- Rad u lošim vremenskim uslovima je zamoran i često nosi dodatne rizike. Zbog većeg rizika se ne preporučuje da koristite mašinu po veoma lošem vremenu, na primer, po gustoj magli, jakoj kiši, jakom vetru, jakoj hladnoći, kad postoji opasnost od grmljavine, itd.
- Ne radite sa merdevina, stolica i drugih visokih mesta koja nisu potpuno obezbeđena.
- Čuvajte neaktivne uređaje u zatvorenom – kad ih ne koristite, čuvajte uređaje u zatvorenom prostoru.
- Nije moguće obuhvatiti sve situacije s kojima se možete suočiti. Uvek budite pažljivi i koristite zdrav razum. Izbegavajte sve situacije za koje smatrate da nisu u okviru vaših sposobnosti. Ako nakon čitanja ovog uputstva i dalje imate nedoumice u vezi s radnim postupcima, pre nastavka rada obratite se stručnjaku.
- Osigurajte da nijedna osoba ili životinja ne priđe bliže od 15° metara dok radite. Kada nekoliko rukovaoca radi u istoj oblasti, bezbedno rastojanje treba da bude bar 15 metara. U suprotnom, postoji rizik od teških telesnih povreda. Odmah zaustavite proizvod ako se neko približi. Nikada se nemojte okretati sa proizvodom ako prvo ne proverite da li ima nekoga u bezbednoj zoni.
- Osigurajte da ljudi, životinje ili druge stvari ne mogu uticati na upravljanje proizvodom i da ne dođu u kontakt sa priključkom za košenje ili predmetima koje izbací. Međutim, nemojte koristiti proizvod ako niste u mogućnosti da pozovete u pomoć u slučaju nezgode.
- Uverite se da možete da se krećete i stojite bezbedno. Proverite da u okolini nema mogućih prepreka (korenja, gromada kamena, granja, jaraka itd.) na koje biste naišli ako morate da napravite iznenađan pokret. Obratite posebnu pažnju pri radu na nagnutom terenu.
- Hodajte, ne trčite.
- Pregledajte radno područje. Uklonite sve slobodne predmete kao što je kamenje, slomljeno staklo, ekseri, čelične žice, vrpce itd. koji bi mogli da budu odbačeni ili da se obmotaju oko rezača ili štitnika rezača.
- Vodite računa o komadima grana koje mogu da budu odbačene u toku sečenja. Ne režite preblizu tla jer može da dođe do bacanja kamenja i drugih predmeta.
- Postarajte se da odeća i delovi tela ne dođu u dodir sa nastavkom za rezanje dok proizvod radi. Proizvod držite ispod nivoa struka.
- Upozorenje zbog izbačenih predmeta. Uvek nosite odobrenu zaštitu za oči. Ne naginjte se preko štitnika priključka za rezanje. Kamenčići, komadi materijala itd. mogu da vas udare u oči i tako izazovu slepilo ili teške povrede.
- Uvek budite oprezni u zapažanju signala upozorenja ili povika kada koristite zaštitne slušalice. Uvek skinite zaštitne slušalice odmah nakon zaustavljanja proizvoda.
- Ako dođe do neželjenih vibracija, izvucite strunu na odgovarajuću dužinu tapkanjem.
- Ako proizvod počne nenormalno da vibrira, zaustavite ga i uklonite bateriju.
- Preterano izlaganje vibracijama može da ošteti krvotok, ili pak da ošteti nerve kod ljudi koji imaju problema sa krvotokom. Obratite se lekaru ako imate simptome preterane izloženosti vibracijama. Ovi simptomi uključuju utmulost, gubitak osećaja, trnce, bockanje, bol, gubitak snage, promene u koji ili stanju kože. Simptomi se obično pojavljuju u prstima, šakama ili zglobovima.
- Uvek držite proizvod obema rukama. Držite proizvod sa desne strane tela.

## Lična zaštitna oprema



**UPOZORENJE:** Pročitajte upozoravajuća uputstva koja slede re korišćenja proizvoda.

- Uvek koristite odobrenu ličnu zaštitnu opremu kada koristite proizvod. Lična zaštitna oprema ne može da u potpunosti spreči telesnu povredu, ali ona umanjuje stepen telesne povrede ako dođe do nesrećnog slučaja. Neka vam vaš prodavac pomogne u izboru odgovarajuće opreme.
  - Nosite zaštitni šlem ako postoji opasnost od pada predmeta.
  - Nosite odobrenu zaštitu za uši koja pruža dovoljno smanjenje buke. Dugotrajno izlaganje buci može prouzrokovati trajne povrede sluha.
  - Koristite odobrenu zaštitu za oči. Prilikom korišćenja vizira istovremeno se moraju koristiti odobrene zaštitne naočare. Odobrene zaštitne naočare jesu takve koje ispunjavaju standard ANSI Z87.1 u SAD ili EN 166 u zemljama Evropske unije.
  - Koristite vizir za zaštitu lica. Vizir nije dovoljan za zaštitu očiju.
- (Sl. 19)
- Nosite rukavice po potrebi, na primer, kada pričvršćujete, pregledate ili čistite opremu za rezanje.
  - Koristite stabilne čizme koje se ne klizaju.
  - Nosite odeću napravljenu od jake tkanine. Uvek nosite debele, dugačke pantalone i dugačke rukave. Nemojte nositi široku odeću koja može da se zakači

o grančice i grane. Nemojte nositi nakit, kratke pantalone, sandale ili ći bosonogi. Sklonite kosu tako da vam bude iznad ramena.

(Sl. 20)

- Držite komplet za prvu pomoć pri ruci.

(Sl. 21)

## Bezbednosni uređaji na proizvodu



**UPOZORENJE:** Pročitajte upozoravajuća uputstva koja slede pre korišćenja proizvoda.

U ovom odeljku je objašnjena bezbednosna oprema proizvoda, njena svrha, te način kako treba obaviti provere i održavanje da bi se osigurao ispravan rad. Vidite uputstva pod naslovom *Uvod na stranici 375* da biste saznali gde se na vašem proizvodu nalaze ovi delovi.

Vek trajanja proizvoda se može skratiti, a rizik od nastupanja nesreća povećati ako se održavanje proizvoda ne vrši na pravi način i ako se servisiranje ili popravljanje ne vrše stručno. Ako su vam potrebne dodatne informacije, kontaktirajte najbliži ovlašćeni servis.



**UPOZORENJE:** Nikada ne upotrebljavajte proizvod sa neispravnim delovima bezbednosne opreme. Bezbednosna oprema za proizvod mora da se pregleda i održava kako je opisano u ovom odeljku. Ako proizvod ne zadovolji bilo koju od tih provera, obratite se ovlašćenom servisu radi popravke.



**OPREZ:** Potrebna je posebna obuka za servisiranje i popravku mašina. Ovo se posebno odnosi na bezbednosnu opremu mašine. Ako mašina ne zadovolji bilo koju od dole opisanih provera odnesite je svom servisnom agentu. Za bilo koji proizvod kupljen od nas garantujemo raspoloživost profesionalne popravke i servisiranja. Ako prodavac na malo koji je prodao mašinu nije serviser, zatražite od njega adresu najbližeg servisnog agenta.

## Provera korisničkog interfejsa

1. Pritisnite i držite dugme za pokretanje/zaustavljanje (A).
  - a) Proizvod je uključen kad ekran (B) svetli. (Sl. 22)
  - b) Proizvod je isključen kad ekran ne svetli.
2. Ako indikator upozorenja na ekranu svetli ili trepće, pogledajte *Korisnički interfejs na stranici 385*.

## Provera zaključavanja obarača gasa

Blokada obarača gasa je predviđena za sprečavanje slučajnog aktiviranja. Kad gurnete blokadu obarača gasa ka napred (A) i onda ga pritisnete uz dršku (B), obarač gasa (C) se oslobađa. Kad otpustite ručku, obarač gasa i blokada obarača gasa se vraćaju u prvobitne položaje. Pomeranje kontrolišu tri zasebne opruge. (Sl. 23)

1. Proverite da li je okidač gasa blokiran kada je blokada okidača gasa u originalnom položaju. (Sl. 24)
2. Pritisnite obarač gasa i proverite da li se vraća u prvobitni položaj kad ga pustite. (Sl. 25)
3. Uverite se da se obarač gasa i blokada obarača gasa slobodno pomeraju i da povratna opruga ispravno radi.
4. Pokrenite proizvod, pogledajte *Pokretanje proizvoda na stranici 383*.
5. Dajte pun gas.
6. Otpustite obarač gasa i uverite se da se nastavak za rezanje zaustavlja i ostaje u mirovanju.

## Da biste proverili štitnik nastavka za rezanje



**UPOZORENJE:** Nemojte koristiti nastavak za rezanje bez odobrenog i pravilno pričvršćenog štitnika nastavka za rezanje. Uvek koristite preporučeni štitnik nastavka za rezanje za nastavak za rezanje koji koristite, pogledajte *Oprema na stranici 387*. Ako postavite pogrešan ili neispravan štitnik nastavka za rezanje, to može da prouzrokuje tešku telesnu povredu.

Štitnik nastavka za rezanje sprečava izbacivanje predmeta u smeru rukovaoca. Takođe sprečava telesnu povredu koje se mogu pojaviti ako dodirnete nastavak za rezanje.

1. Zaustavite proizvod i izvadite akumulator.
2. Izvršite vizuelni pregled u pogledu oštećenja, na primer, naprslina. (Sl. 26)
3. Zamenite štitnik nastavka za rezanje ako je oštećen.

## Glava trimera

- Uvek koristite odgovarajuću glavu trimera, nastavke za rezanje i preporučenu strunu trimera. Pogledajte *Oprema na stranici 387* i uputstvo za sklapanje na kraju priručnika.
- Proverite da li je nož koji se nalazi na štitniku trimera neoštećen.
- Uvek vodite računa da struna trimera bude čvrsto i ravnomerno omotana oko bubnja da bi se sprečile neuobičajene vibracije proizvoda. Različite dužine strune mogu da dovedu do nepotrebnih vibracija.

Lupnite glavu trimera da biste dobili odgovarajuću dužinu strune.

Možete da produžite radni vek strune ako je natapate u vodi 2 ili više dana pre sklapanja. Time struna postaje otpornija.

## Bezbednosna uputstva za sklapanje



**UPOZORENJE:** Pročitajte i shvatite i pridržavajte se tih uputstva pre korišćenja proizvoda.

- Izvadite bateriju iz proizvoda pre nego što sastavite proizvod.
- Koristite odobrene zaštitne rukavice.
- Zaštita koja je oštećena ili ne radi ispravno može da izazove povrede. Nemojte koristiti nastavak za rezanje koji nema odobreni pričvršćeni štitičnik.
- Pobrinite se da sklopite poklopac i vratilo na ispravan način pre pokretanja proizvoda.
- Pogonski disk i oslona priborica moraju da tačno nalegnu u centralni otvor dodatka za rezanje. Priključak za košenje koji je nepravilno pričvršćen može da izazove telesnu povredu ili smrt.
- Ako je uprtač isporučen sa nastavkom, uprtač mora biti ispravno postavljen na proizvod. Uprtač obezbeđuje siguran rad i sprečava telesne povrede rukovaoca ili drugih osoba.

## Bezbednosna uputstva za održavanje



**UPOZORENJE:** Pročitajte upozoravajuća uputstva koja slede pre održavanja proizvoda.

- Uklonite akumulator pre održavanja, provere i sklapanja proizvoda.
- Rukovalac sme da vrši samo održavanje i servisiranje opisano u korisničkom uputstvu. Obratite se serviseru radi održavanja i servisiranja većih dodataka.
- Nemojte čistiti akumulator ili punjač akumulatora vodom. Jak deterdžent može da ošteti plastiku.
- Neodržavanje smanjuje radni vek proizvoda i povećava rizik od nezgoda.
- Za poslove servisiranja i popravke potrebna je posebna obuka, naročito kad je reč o bezbednosnim uređajima na proizvodu. Ako posle odobravanja uređaj ne prođe sve provere opisane u korisničkom uputstvu, obratite se serviseru. Garantujemo da su za vaš proizvod dostupne profesionalne popravke i servisiranje.
- Koristite samo originalne rezervne delove.
- Uvek nosite čvrste rukavice kada popravljate priključak za košenje. Noževi su veoma oštri i mogu lako da nanese telesne povrede.

## Sklapanje

### Sklapanje kružne drške

1. Postavite kružnu dršku na osovinu između strelica. Ne stavljajte kružnu dršku ili prsten vešanja na nalepnicu. (Sl. 27)
2. Pomerite distancer u prerez na kružnoj dršci.
3. Postavite vijak, dugme i maticu, nemojte previše zatezati.
4. Postavite proizvod u udoban položaj.
5. Pritegnite vijak.

### Sklapanje opreme za rezanje

Oprema za rezanje uključuje priključak za košenje i štitičnik priključka za košenje.



**UPOZORENJE:** Koristite zaštitne rukavice.



**UPOZORENJE:** Uvek koristite štitičnik priključka za košenje koji je preporučeno za taj priključak za košenje. Pogledajte *Tehnički podaci na stranici 386*.



**UPOZORENJE:** Nepravilno pričvršćen priključak za košenje može da izazove telesnu povredu ili smrt.

### Provera štitičnika dodatka za rezanje

1. Obesite štitičnik dodatka za rezanje (A) na kuku koja se nalaze na držaču ploče (B). (Sl. 28)
2. Postavite štitičnik dodatka za rezanje na osovinu i pritegnite vijkom (C).

### Uklanjanje štitičnika dodatka za rezanje

- Olabavite vijak (C) i uklonite štitičnik dodatka (A) sa osovine. (Sl. 29)

### Sklapanje glava trimera



**UPOZORENJE:** Kod montaže nastavka za rezanje, najvažnije je da se uzdignuti deo upravljačkog zahvatnika / oslone priborice pravilno spoji sa središnjim otvorom nastavka za rezanje. Pogrešno montiran nastavak za rezanje može da prouzrokuje opasne i/ili smrtonosne telesne povrede.



**UPOZORENJE:** Ne koristite nastavak za rezanje bez odobrenog štitnika. Pogledajte *Oprema na stranici 387*. Ukoliko se montira pogrešan ili neispravan štitnik, onda to može da prouzrokuje ozbiljne ozlede osoba.

### Pričvršćivanje glave trimera

1. Postavite upravljački zahvatnik (B) na izlaznu osovinu.
2. Okrećite izlaznu osovinu da se poravna jedan od otvora na upravljačkom zahvatniku sa odgovarajućim otvorom na kućištu menjača.

3. Stavite trn za osiguranje (C) u otvor tako da se osovina osigura.
4. Okrećite glavu trimera (H) ulevo da biste je pričvrstili. (Sl. 30)

### Uklonite glavu trimera

1. Stavite trn za osiguranje (C) u otvor tako da se osovina osigura.
2. Okrećite glavu trimera (H) udesno da biste je uklonili.
3. Skinite pogonski disk (B) sa izlazne osovine. (Sl. 30)

## Rukovanje

### Uvod



**UPOZORENJE:** Pre korišćenja proizvoda je potrebno da pročitate i razumete poglavlje o bezbednosti.

### Da biste povezali akumulator na proizvod



**UPOZORENJE:** Za ovaj proizvod koristite samo originalne Husqvarna akumulateore.

1. Uverite se da je akumulator napunjen do kraja.
2. Gurnite akumulator u držač akumulatora na proizvodu. Akumulator je u dobrom položaju kad čujete klik. (Sl. 31)



**OPREZ:** Ako je teško staviti akumulator u držač, niste ga pravilno postavili. To može da ošteti proizvod.

3. Uverite se da je akumulator pravilno postavljen.

### Radni položaj

- Držite proizvod sa 2 ruke.
- Držite proizvod sa desne strane tela.
- Držite nastavak za rezanje ispod nivoa struka.
- Držite delove tela podalje od vrućih površina.
- Držite delove tela podalje od nastavka za rezanje.

### Pre rada sa proizvodom

- Pregledajte radno područje da biste osigurali da znate tip terena, nagib tla, kao i to da li postoje prepreke kao što su kamenje, granje i jarci.
- Izvršite pažljivi pregled proizvoda.
- Izvršite bezbednosne preglede, održavanje i servisiranje koji su dati u ovom priručniku.

- Uverite se da su svi poklopci, štitnici, ručice i oprema za košenje ispravno postavljeni i da nisu oštećeni.
- Pregledajte oslonu prirubnicu u pogledu naprsina. Zamenite oslonu prirubnicu ako je oštećena.

(Sl. 32)

- Proverite da li su glava trimera i štitnik priključka za košenje oštećeni ili naprsli. Zamenite glavu trimera i štitnik priključka za košenje ako su bili udareni ili ako imaju naprsline.

(Sl. 33)

### Pokretanje proizvoda

1. Pritisnite i držite dugme za pokretanje dok ne zasvetli zeleni LED. (Sl. 34)
2. Koristite obarač gasa za kontrolu brzine.

### Ograničavanje maksimalne brzine dugmetom za izbor režima

Proizvod ima dugme za izbor režima. Rukovalac može da ograniči maksimalnu brzinu dugmetom za izbor režima. Dugme za izbor režima ima 3 nivoa brzine. Niži nivo proizvoda dostupno vreme rada proizvoda. Koristite nivoe 1 i 2 ako za rad nije potrebna puna brzina/snaga. Ako radni uslovi zahtevaju punu brzinu / snagu, koristite 3. nivo. Ne koristite viši nivo od potrebnog tokom rada.

1. Pritisnite dugme za izbor režima da biste ograničili maksimalnu brzinu. Uključuje se bela LED lampica kao znak da je funkcija uključena. (Sl. 35)
2. Ponovo pritisnite dugme za izbor režima da biste izabrali sledeći nivo brzine.

### Funkcija automatskog isključivanja

Proizvod je opremljen funkcijom za isključivanje, koja deaktivira proizvod ako se ne koristi.

## Sečenje trave trimi glavom

### Skraćivanje trave

1. Držite trimi glavu odmah iznad tla i pod uglom. (Sl. 36) Nemojte pritiskati trimi nit u travu.
2. Koristite 80% gasa kada kosite travu blizu predmeta. (Sl. 37)

### Košenje trave

1. Uverite se da je trimi linija paralelna sa tlom prilikom košenja. (Sl. 38)
2. Nemojte pritiskati trimi glavu o tlo. Može doći do uništenja tla i oštećenja proizvoda.
3. Nemojte dozvoliti da trimi glava neprestano dodiruje tlo, to može prouzrokovati oštećenje trimi glave.
4. Koristite pun gas kada pomerate proizvod sa strane na stranu dok kosite travu. (Sl. 39) Pobrinite se da je trimi linija paralelna sa tlom.

### Pometanje trave

Protok vazduha iz rotirajućeg trimi kabla može se koristiti za uklanjanje isečene trave iz područja.

1. Držite trimi glavu i njen kabl paralelno sa tlom i iznad tla.
2. Dajte pun gas.
3. Pomerajte trimi glavu sa strane u stranu i raščišćavajte travu.



**UPOZORENJE:** Očistite poklopac trimi glave svaki put kada postavljate novi trimi kabl kako biste sprečili neravnotežu i vibracije u ručicama. Takođe izvršite pregled drugih delova trimi glave i očistite ih po potrebi.

### Zaustavljanje proizvoda

1. Pustite obarač gasa ili zaključavanje obarača gasa.
2. Pritisnite taster za zaustavljanje. (Sl. 34)
3. Pritisnite dugmad za otpuštanje na bateriji i izvadite je. (Sl. 40)

## Održavanje

### Uvod



**UPOZORENJE:** Pre održavanja morate pročitati i razumeti poglavlje o bezbednosti.

### Šema održavanja



**UPOZORENJE:** Skinite bateriju pre održavanja.

Sledi lista koraka održavanja koje treba izvršiti na proizvodu.

Održavanje	Dnevno	Nedeljno	Mesečno
Očistite spoljne površine proizvoda suvom krpom. Ne koristite vodu.	X		
Proverite da li je prekidač za pokretanje/zaustavljanje oštećen i da li pravilno radi.	X		
Uverite se da obarač gasa i zaključavanje obarača gasa rade pravilno po pitanju bezbednosti.	X		
Uverite se da sve komande rade i da nisu oštećene.	X		
Ručke bi trebalo da budu suve, čiste i bez ostataka ulja i maziva.	X		
Uverite se da dodatak za rezanje nije oštećen. Zamenite dodatak za rezanje ako je oštećen.	X		
Uverite se da štitnik dodatka za rezanje nije oštećen. Zamenite štitnik dodatka za rezanje ako je oštećen.	X		
Uverite se da su zavrtnji i navrtke pritegnuti.	X		
Uverite se da dugmad za otpuštanje na bateriji ispravno radi i da zaključava bateriju na proizvod.	X		
Uverite se da baterija nije oštećena.	X		



Održavanje	Dnevno	Nedeljno	Mesečno
Uverite se da je baterija napunjena.	X		
Uverite se da punjač baterije nije oštećen i da pravilno radi.	X		
Pregledajte sve kablove, spojnice i veze. Uverite se da nisu oštećeni i da nisu zaprljani.		X	
Uverite se da je konusni zupčanik pravilno napunjen mazivom, pogledajte ode-ljak <i>Podmazivanje konusnog zupčanika na stranici 385</i> . Ako to nije slučaj, kori-stite Husqvarna mazivo za konusne zupčanike.		X	
Proverite kontakte između baterije i proizvoda. Proverite kontakte između batri-e i punjača baterije.			X

## Čišćenje proizvoda, akumulatora i punjača akumulatora

1. Proizvod čistite nakon upotrebe pomoću suve krpe.
2. Za čišćenje akumulatora i punjača akumulatora koristite suhu krpu. Održavajte vodice baterija čistim.
3. Uverite se da su polovi na akumulatoru i punjaču akumulatora čisti pre nego što stavite akumulator u punjač ili u proizvod.

## Podmazivanje konusnog zupčanika

1. Uklonite opremu za rezanje.
2. Postavite proizvod tako da čep za mazivo bude u najvišem položaju.

3. Uklonite čep za mazivo. (Sl. 41)
4. Pogledajte u otvor čepa za mazivo i okrenite pogonsku osovinu. Nivo maziva (A) mora da bude u ravni sa zupcima (B). (Sl. 42)
5. Ako je nivo maziva prenizak, napunite konusni zupčanik Husqvarna mazivom za konusne zupčanike. Sipajte polako i okrećite pogonsku osovinu dok sipate mazivo, prekinite kad se dostigne odgovarajući nivo (B).



**OPREZ:** Pogrešna količina maziva može da izazove oštećenja konusnog zupčanika.

6. Postavite čep za mazivo.

## Rešavanje problema

### Korisnički interfejs

Problem	Moguće greške	Moguća radnja
LED indikator baterije trepće na-randžasto	Nizak napon baterije.	Napunite bateriju.
LED greške treperi.	Preopterećenje.	Dodatak za rezanje je zaglavljen. Zaustavite proizvod. Uklonite bateriju. Očistite neželjen materijal sa dodatka za rezanje.
	Odstupanje temperature.	Pustite proizvod da se ohladi.
	Obarač gasa i dugme za pokreta-nje su pritisnuti istovremeno.	Pustite obarač gasa, proizvod je uključen.
Proizvod ne može da se pokre-ne.	Priljavština na priključcima batri-eje.	Očistite priključke baterije komprimovanim vazduhom ili mekom četkom.
LED greške sija crveno	Proizvodu je potrebno servisira-nje.	Obratite se servisnom agentu.

# Transport, skladištenje i odlaganje

## Transport i skladištenje

- Isporučene litijum-jonske baterije su usaglašene sa zakonskim propisima o opasnoj robi.
- Poštujte specijalne zahteve date na pakovanju i oznakama za komercijalni transport, uključujući i one od trećih strana i špeditera.
- Pre slanja proizvoda se konsultujte sa osobom stručnom za opasne materijale. Poštujte sve važeće državne propise.
- Stavite izolir-traku na gole kontakte kad stavljate bateriju u paket. Bateriju treba tesno upakovati, da bi se sprečilo pomeranje.
- Izvadite bateriju tokom transporta i skladištenja.
- Stavite bateriju i punjač baterije u suv prostor koji ne mrzne.
- Ne čuvajte bateriju tamo gde može doći do statičkog pražnjenja. Ne čuvajte akumulator u metalnoj kutiji.
- Skladištite akumulator samo na mestima na kojima je temperatura okoline između 5 °C / 41 °F i 25 °C / 77 °F i dalje od direktne sunčeve svetlosti.
- Skladištite punjač akumulatora samo na mestima na kojima je temperatura okoline između 5 °C / 41 °F i 45°C / 113 °F i dalje od direktne sunčeve svetlosti.
- Koristite punjač akumulatora samo kad je temperatura okoline između 5 °C / 41°F i 40 °C / 104 °F.

- Napunite bateriju 30% do 50% pre dužeg skladištenja.
- Skladištite punjač baterije na zatvorenom i suvom mestu.
- Držite bateriju van punjača baterije tokom skladištenja. Ne dozvolite da deca i neovlašćene osobe diraju opremu. Čuvajte opremu na mestu koje može da se zaključa.
- Očistite proizvod i izvršite kompletno servisiranje pre nego što uskladištite proizvod na duži vremenski period.
- Koristite štitičnik za transport na proizvodu da biste sprečili povrede ili oštećenje proizvoda tokom transporta i skladištenja.
- Pričvrstite proizvod tokom transporta.

## Odbacivanje baterije, punjača baterije i proizvoda

Simboli na proizvodu ili njegovom pakovanju ukazuju na to da ovaj proizvod nije otpad iz domaćinstva. Reciklirajte ga na lokaciji za recikliranje električne i elektronske opreme. Time se čuva životna sredina i zdravlje ljudi.

Stupite u kontakt sa lokalnim vlastima, servisom za otpad iz domaćinstva ili prodavcem za više informacija o recikliranju ovog proizvoda.

## Tehnički podaci

### Tehnički podaci

	<b>325iL</b>
<b>Motor</b>	
Tip motora	BLDC (bez četkica) 36 V
Brzina izlazne osovine, 1/min	5800
Širina košenja, mm	420
<b>Težina</b>	
Težina bez baterije i nastavka za rezanje, kg	3,0
<b>Emisija buke</b> <sup>73</sup>	
Nivo zvučne snage, mereno dB (A)	93

<sup>73</sup> Emisije buke u životnoj sredini merene kao zvučna snaga (LWA) u skladu sa direktivom 2000/14/EZ. Izveštajni nivo zvučne snage za mašinu meren je sa originalnim priključkom za košenje koji daje najviši nivo. Razlika između garantovanog i izmerenog nivoa zvučne snage je da garantovana zvučna snaga takođe obuhvata raspršenje rezultata merenja i razlike između različitih proizvoda istog modela u skladu sa Direktivom 2000/14/EC.

	<b>325iL</b>
Nivo zvučne snage, garantovano $L_{WA}dB$ (A)	96
<b>Nivoi buke</b> <sup>74</sup>	
Ekvivalent nivoa pritiska zvuka na uho rukovaoca, mereno prema standardu ISO 22868 dB (A):	
Opremljeno trimi glavom (original)	84
<b>Nivoi vibracije</b> <sup>75</sup>	
Nivoi vibracija na ručkama, mereni prema ISO 22867, $m/s^2$	
Opremljeno glavom trimera (original), napred/nazad, $m/s^2$	4,3/2,9

## Odobreni akumulatori

<b>Akumulator</b>	<b>BLI 200</b>
Tip	Litijum-jonska
Kapacitet baterije, Ah	5,2
Nazivni napon, V	36
Masa, kg (lb)	1.3 (2.9)

## Odobreni punjači akumulatora

<b>Punjač akumulatora</b>	<b>QC330</b>
Ulazni napon, V	100–240
Frekvencija, Hz	50-60
Snaga, W	330

---

## Oprema

---

## Dodaci

<b>Odobrena oprema</b>	<b>Tip opreme</b>	<b>Štitnik priključka za košenje, br. dela.</b>
Centralni otvor na sečivima/noževima, Ø 25,4 mm		

<sup>74</sup> Podaci iz izveštaja za nivo zvučnog pritiska za mašinu uključuju tipičnu statističku disperziju (standardno odstupanje) od 3 dB (A) a što je izmereno sa originalnim priključkom koji daje najviši nivo.

<sup>75</sup> Podaci o nivou vibracije imaju tipičnu statističku disperziju (standardnu devijaciju) od  $2\ m/s^2$ . Za poređenje nivoa vibracija, baterijskih i benzinskih proizvoda, koristite kalkulator vibracija. <https://www.husqvarna.com/uk/services-solutions/vibration-calculator/>.

Odobrena oprema	Tip opreme	Štitnik priključka za košenje, br. dela.
Navoj izlazne osovine M10		
Trimi glava	T35 (Struna za Whisper twist trimmer, maks. Ø 2,4 mm)	597 01 62-02

# Deklaracija o usaglašenosti

## EU Deklaracija o usaglašenosti

Mi, **Husqvarna AB**, SE-561 82 Huskvarna, Švedska, tel: +46-36-146500, izjavljujemo pod punom odgovornošću da je proizvod:

<b>Opis</b>	Baterijski trimer za travnjak
<b>Marka</b>	Husqvarna
<b>Tip/model</b>	325iL
<b>Identifikacija</b>	Serijski brojevi od 2023 i nadalje

su u potpunosti usaglašeni sa sledećim EU direktivama i propisima:

Direktiva/propis	Opis
2006/42/EC	"koji se odnose na mašine"
2014/30/EMC	"koji se odnose na elektromagnetsku kompatibilnost"
2011/65/EU	„koji se odnose na ograničenje opasnih supstanci“
2000/14/EC	„koji se odnose na buku u otvorenom prostoru“

i da su sledeći standardi i/ili tehničke specifikacije primenjeni: EN 62841-1:2015/AC:2015, EN 62841-4-4 (IEC 62841-4-4:2020), EN 61000-6-1:2007 (Immunity), EN 61000-6-3:2007/A1:2011/AC:2012 (Emission).



RISE SMP Svensk Maskinprovning AB, Box 4053, SE-904 03 Umeå, Sweden sproveo je dobrovoljno ispitivanje tipa u skladu sa dodatkom IX 2006/42/EC. Broj sertifikata: SEC/23/2579.

Notified body: 0404, RISE SMP Svensk Maskinprovning AB, Box 4053, SE-904 03 Umeå, Sweden takođe je potvrdio slaganje sa dodatkom VI Direktive Veća 2000/14/EZ.

Za informacije o emisiji buke pogledajte *Tehnički podaci na stranici 386*.

Huskvarna, 2022-12-01

Stefan Holmberg, Direktor sektora za istraživanje i razvoj, Upravljanje tehnologijom, Husqvarna AB

Odgovoran za tehničku dokumentaciju

---

## Innehåll

---

Introduktion.....	390	Transport, förvaring och kassering.....	400
Säkerhet.....	391	Tekniska data.....	401
Montering.....	397	Tillbehör.....	402
Drift.....	398	Försäkran om överensstämmelse.....	403
Underhåll.....	399	Bilaga .....	447
Felsökning.....	400		

---

## Introduktion

---

### Produktbeskrivning

Husqvarna 325iL är en batteridrivna grässtrimmer med elmotor.

Arbetet med att öka din säkerhet och effektivitet under användning pågår ständigt. Prata med en serviceverkstad för mer information.

### Avsedd användning

Använd produkten med ett trimmerhuvud för att klippa olika typer av vegetation. Använd inte produkten för andra uppgifter än grässtrimming och gräsrojning.

### Produktöversikt

(Fig. 1)

1. Bruksanvisning
2. Vinkelväxel
3. Hål för låspinne
4. Trimmerhuvud
5. Trimmerhuvudets skydd
6. Medbringare
7. Kombinyckel
8. Loophandtag
9. Vred
10. Axel
11. Låspinne
12. Varnings-LED-kontrollampa
13. Start-/stoppknapp
14. Hastighetlägesknapp
15. Gasreglagespär
16. Användargränssnitt
17. Gasreglage
18. Batteriladdarsladd
19. Batteriladdare
20. Ström- och varningslampa
21. Frigöringsknappar för batteri
22. Batteri
23. LED-kontrollampa för laddningsstatus
24. Varningslampa
25. Knappen batterinivåindikator

**Notera:** Nationella eller lokala föreskrifter kan reglera användningen. Följ givna föreskrifter.

---

Använd endast produkten med tillbehör som är godkända av tillverkaren. Se *Tillbehör på sida 402*.

### Symboler på produkten

(Fig. 2) **WARNING!** Produkten kan vara farlig! Slarvigt eller felaktigt användande kan resultera i allvarliga skador eller dödsfall för användaren eller andra. Det är mycket viktigt att du läser och förstår innehållet i bruksanvisningen. Läs igenom bruksanvisningen noggrant och se till att du förstår instruktionerna innan du använder produkten.

(Fig. 3) Använd godkända hörselskydd. Använd godkänt ögonskydd.

(Fig. 4) Maximalt varvtal eller varvtal utan belastning.

XXXX /min  
eller min<sup>-1</sup> | Varv eller pendelrörelse per minut.

(Fig. 5) Märkspänning, V

(Fig. 6) Likström.

(Fig. 7) Produkten överensstämmer med gällande EG-direktiv.

(Fig. 8)	Denna produkt överensstämmer med gällande brittiska direktiv.		inte rekommenderad skyddsutrustning används.
(Fig. 9)	Använd godkända skyddshandskar.	(Fig. 14)	Koppla bort batteriet före underhåll.
(Fig. 10)	Använd kraftiga hals säkra kängor.	(Fig. 15)	Produkten har skydd mot vattenstänk.
(Fig. 11)	Använd endast flexibel skärutrustning som inte är av metall.	(Fig. 16)	Håll alla delar av din kropp borta från de heta ytorna.
(Fig. 12)	Symbolen på produkten eller dess förpackning indikerar att denna produkt ej kan hanteras som hushållsavfall. Denna produkt ska överlämnas till lämplig återvinningsstation.	(Fig. 17)	Miljömärkning för bulleremission enligt direktiv och bestämmelser för EU och Storbritannien samt New South Wales-lagen "Protection of the Environment Operations (Noise Control) Regulation 2017". Produktens garanterade ljudeffektnivå anges i <i>Tekniska data på sida 401</i> .
(Fig. 13)	Utrustningen kan våldsamt kasta iväg föremål som kan studsas tillbaka. Detta kan leda till allvarliga ögonskador om		

<b>ååååvvxxxx</b>	Typskylten visar serienumret. <b>yyyy</b> är produktionsåret, <b>ww</b> är produktionsveckan och <b>xxxx</b> är sekvensnumret.
(Fig. 18)	Användaren ska se till att inga människor eller djur kommer närmare än 15 meter. Om flera användare arbetar på samma plats ska säkerhetsavståndet vara minst 15 meter.

**Notera:** Övriga symboler/dekaler på produkten avser specifika krav för certifieringar på andra kommersiella marknader.

## Produktskada

Vi ansvarar inte för skador på vår produkt om:

- produkten repareras felaktigt
- produkten repareras med delar som inte kommer från tillverkaren eller inte har godkänts av tillverkaren
- produkten har ett tillbehör som inte kommer från tillverkaren eller inte har godkänts av tillverkaren
- produkten inte repareras vid ett godkänt servicecenter eller av en godkänd person.

## Säkerhet

### Säkerhetsdefinitioner

Varningar, försiktighetsåtgärder och anmärkningar används för att betona speciellt viktiga delar i bruksanvisningen.



**WARNING:** Används om det finns risk för skador eller dödsfall för användaren eller kringstående om anvisningarna i bruksanvisningen inte följs.



**OBSERVERA:** Används om det finns risk för skada på produkten, annat material eller det angränsande området om anvisningarna i bruksanvisningen inte följs.

**Notera:** Används för att ge mer information som är nödvändig i en viss situation.

### Allmänna säkerhetsvarningar för elverktyg



**WARNING: Gå igenom alla säkerhetsvarningar, instruktioner, illustrationer och specifikationer som medföljer det här elverktyget.** Om du inte följer instruktionerna nedan kan det leda till elektriska stötar, brand och/eller allvarliga skador.

- **Spara alla varningar och instruktioner som referens.** I varningarna syftar termen "elverktyg" på ett verktyg som antingen är anslutet till nätspänningen (med sladd) eller drivs av batteri (sladdlöst).

### Säkerhet i arbetsområdet

- **Arbetsområdet ska hållas välordnat och välbelyst.** I röriga eller mörka arbetsområden händer det lätt olyckor.

- **Använd inte elverktyg i explosiva miljöer, t.ex. i närvaro av brandfarliga vätskor, gaser eller damm.** Gnistor från elverktyget kan antända damm eller ångor.
- **Håll barn och åskådare på avstånd när du använder elverktyg.** Om du blir distraherad kan du tappa kontrollen.

## Elsäkerhet

- **Elverktygets stickkontakt måste passa i vägguttaget. Modifiera aldrig stickkontakten på något sätt. Använd inga adapterkontakter med jordade elverktyg.** Oförändrade stickkontakter och motsvarande vägguttag minskar riskerna för elektriska stötår.
- **Undvik kroppskontakt med jordade ytor, t.ex. rör, kylare, spisar och kylskåp.** Risken för elektriska stötår ökar om kroppen är jordad.
- **Utsätt inte elverktyg för regn eller våta.** Om vatten tränger in i elverktyget ökar risken för elektrisk stöt.
- **Använd inte sladden på fel sätt. Använd inte sladden för att bära eller dra elverktyget, eller för att koppla ur elverktyget från uttaget. Håll sladden borta från värme, olja, vassa kanter och rörliga delar.** Skadade eller trassliga sladdar ökar risken för elektriska stötår.
- **När du använder ett elverktyg utomhus ska du även använda en förlängningssladd för utomhusbruk.** Om du använder en sladd för utomhusbruk minskar risken för elektriska stötår.
- **Om det är oundvikligt att köra elverktyget i en fuktig miljö använder du en jordfelsbrytare (RCD).** Med jordfelsbrytare minskar risken för elektriska stötår.

## Personligt skydd

- **Var på din vakt, var uppmärksam på vad du gör och använd sunt förnuft när du använder ett elverktyg. Använd inte elverktyg om du är trött, har druckit alkohol eller om du har tagit droger eller mediciner.** Ett ögonblick av ouppmärksamhet när du använder ett elverktyg kan leda till allvarlig personskada.
- **Använd personlig skyddsutrustning. Bär alltid skyddsglasögon.** Lämplig skyddsutrustning som ansiktsmask, halkfria skyddsskor, hjälm eller hörselskydd minskar risken för personskador.
- **Förebygg ditt maskinen startar oavsiktligt. Se till att strömbrytaren är fränslagen innan du ansluter elverktyget till en strömkälla och/eller ett batteri och innan du tar upp eller bär verktyget.** Risken för olyckor är stor om du bär elverktyg med fingret på strömbrytaren eller tillför ström till elverktyg med strömbrytaren påslagen.
- **Ta bort eventuella justeringsnycklar eller skiftnycklar innan du slår på verktyget.** Nycklar som lämnas kvar i elverktygets rörliga delar kan orsaka personskada.
- **Sträck dig inte för långt. Ha alltid ett stadigt fötåste och god balans.** Det ger dig större kontroll över elverktyget i oväntade situationer.
- **Ta på dig ordentliga arbetskläder. Använd inte löst sittande kläder eller smycken. Håll hår och kläder**

**borta från rörliga delar.** Lösa kläder, smycken och långt hår kan fastna i rörliga delar.

- **Om det finns anordningar för anslutning av enheter för uppsamling av damm, se då till att dessa är ordentligt anslutna och att de används på rätt sätt.** Dammuppsamling kan minska dammrelaterad fara.
- **Tillåt inte dig själv att bli för avslappnad, även om du har erfarenhet av regelbunden användning av verktyget, så att du börjar strunta i verktygets säkerhetsprinciper.** En slarvig handling kan orsaka allvarlig skada på mindre än en sekund.

## Använda och underhålla elverktyg

- **Bruka inte våld eller onödig kraft. Använd det elverktyg som är rätt för ditt syfte.** Med rätt elverktyg utför du ett bättre och säkrare jobb med den hastighet som elverktyget är utformat för.
- **Använd inte elverktyget om du inte kan starta och stänga av det med strömbrytaren.** Elverktyg som inte kan kontrolleras med strömbrytaren är farliga och måste repareras.
- **Koppla bort kontakten från strömkällan och/eller ta ut batteriet (om det kan tas bort) innan du gör justeringar, byter tillbehör eller förvarar elverktyget.** Sådana förebyggande säkerhetsåtgärder minskar risken för att elverktyget startas oavsiktligt.
- **Förvara elverktyg som inte används utom räckhåll för barn. Se till att personer som inte tidigare har hanterat verktyget, eller som inte har läst instruktionerna, inte använder det.** Elverktyg är farliga om de används av ovana användare.
- **Underhållning av elverktyg och tillbehör. Kontrollera att rörliga delar ligger i linje och inte kärvar. Kontrollera även om det finns skadade delar eller om det föreligger andra förhållanden som kan påverka elverktygets funktion. Om elverktyget är skadat ska det repareras innan det används igen.** Många olyckor sker på grund av att rätt underhåll inte har utförts på elverktyget.
- **Håll kapverktyg skarpa och rena.** Kapverktyg med vassa eggar som underhålls på rätt sätt kärvar mer sällan och är lättare att styra.
- **Använd elverktyget och tillbehör enligt de här instruktionerna. Tänk på att ta hänsyn till arbetsförhållandena och det arbete som ska utföras.** Användning av elverktyg andra syften än de avsedda kan resultera i en farlig situation.
- **Håll handtagen och greppytorna torra, rena och fria från olja och fett.** Hala handtag och greppytor innebär att det inte är säkert att hantera och styra verktyget i oväntade situationer.

## Använda och underhålla batteridrivna verktyg

- **Ladda endast upp med den laddare som anges av tillverkaren.** En laddare som är lämplig för en typ av batteripack kan utgöra en brandrisk när den används med ett annat batteripack.
- **Använd endast elverktyg med särskilt avsedda batteripack.** Användning av andra batterier kan innebära risk för skada och brand.



- **När batteriet inte används ska du hålla det borta från andra metallföremål, som gem, mynt, nycklar, spikar, skruvar och andra små metallföremål, som kan skapa en anslutning mellan kontaktarna.** Kortslutning av batteriets kontakter kan orsaka brännskador eller brand.
- **Vid felaktig användning kan vätska spruta ut från batteriet. Undvik kontakt. Om kontakt inträffar av misstag ska du skölja med vatten. Om du får vätska i ögonen ska du kontakta vården.** Vätska som sprutar ut från batteriet kan orsaka irritation eller sveda.
- **Använd inte ett batteripack eller ett verktyg som är trasigt eller modifierat.** Skadade eller modifierade batterier kan uppvisa oförutsägbart beteende vilket kan leda till brand, explosion eller risk för skada.
- **Utsätt inte ett batteripack eller ett verktyg för brand eller extrema temperaturer.** Om de utsätts för brand eller temperaturer över 130 °C kan det förekomma explosioner.
- **Följ alla anvisningar för laddning och ladda inte batteripacket eller verktyget utanför det temperaturintervall som anges i instruktionerna.** Felaktig laddning eller temperaturer utanför det specificerade intervallet kan skada batteriet och öka risken för brand.

## Service

- **Låt en kvalificerad reparatör som endast använder identiska reservdelar underhålla elverktyget.** På så sätt garanterar du att säkerheten kring ditt elverktyg upprätthålls.
- **Utför aldrig underhåll på skadade batteripack.** Underhåll på batteripack bör endast utföras av tillverkaren eller auktoriserade tjänsteleverantörer.

## Säkerhetsvarningar för grässtrimmer, röjsåg och busksåg

- **Använd inte maskinen i dåligt väder, i synnerhet inte vid risk för blixtnedslag.** Det minskar risken att träffas av blixten.
- **Kontrollera om det finns vilda djur i området där maskinen ska användas.** Vilda djur kan skadas av maskinen under drift.
- **Kontrollera noga området där maskinen ska användas och ta bort alla stenar, kvistar, kablar, ben och andra främmande föremål.** Utslungade föremål kan orsaka personsador.
- **Innan du använder maskinen ska du alltid inspektera den visuellt för att kontrollera att klingan eller kniven, och kling- eller knivenheten inte är skadade.** Skadade delar ökar skaderisken.
- **Följ anvisningarna för byte av tillbehör.** Felaktigt åtdragna klingmuttrar eller -bultar kan antingen skada klingan eller leda till att den lossnar.
- **Klingans märkvarvtal måste vara minst lika med det maximala varvtalet som anges på maskinen.** Klingor som går snabbare än deras märkvarvtal kan gå sönder och flyga isär.
- **Använd ögon-, öron-, huvud- och handskydd.** Lämplig skyddsutrustning minskar personsador på grund av skräp som slungas ut eller oavsiktlig kontakt med trimmerlinan eller klingan.
- **Ha alltid halksäkra skyddsskor på dig när du använder maskinen. Använd aldrig maskinen barfota eller med öppna sandaler.** Detta minskar risken för skador på fötterna på grund av den rörliga klingan, linan eller kniven.
- **Ha alltid på dig långbyxor när du använder maskinen.** Exponerad hud ökar risken för skador från utkastade föremål.
- **Håll kringstående personer på avstånd när du använder maskinen.** Skräp som slungas iväg kan orsaka allvarliga personsador.
- **Använd alltid båda händerna när du använder maskinen.** Om du håller maskinen med båda händerna undviker du att förlora kontrollen över den.
- **Håll endast maskinen i de isolerade greppytorna eftersom trimmerlinan eller klingan kan komma i kontakt med dolda ledningar.** Om trimmerlinan eller klingan kommer i kontakt med en strömförande ledning kan maskinens metalldelar strömsättas och ge användaren en elektrisk stöt.
- **Stå alltid stadigt och använd endast maskinen när du står på marken.** Hala eller instabila ytor kan få dig att tappa balansen eller kontrollen över maskinen.
- **Använd inte maskinen i för branta lutningar.** Detta minskar risken för att du tappar kontrollen, halkar eller ramlar, som kan resultera i personsador.
- **När du arbetar i lutningar ska du alltid stå stadigt, alltid arbeta tvärs över lutningen snarare än uppifrån och ner och vara oerhört försiktig när du byter riktning.** Detta minskar risken för att du tappar kontrollen, halkar eller ramlar, som kan resultera i personsador.
- **Håll alla kroppsdelar borta från kniven, linan eller klingan när maskinen är i drift. Innan du startar maskinen ska du se till att kniven, linan eller klingan inte kommer i kontakt med något.** Ett ögonblick av ouppmärksamhet när du använder maskinen kan leda till allvarlig personskada på dig och andra.
- **Kör inte maskinen över midjehöjd.** Detta hjälper till att förhindra oavsiktlig kontakt med klingan eller kniven och ger ökad kontroll över maskinen i oväntade situationer.
- **När du sågar snårskog och ungräd som är spända ska du se upp för återfjädring.** När spänningen i träfibren frigörs kan grenen eller trädet träffa användaren eller göra att maskinen blir okontrollerbar.
- **Var mycket försiktig när du kapar snårskog och ungräd.** Smala växtdelar kan fastna i klingan och piska mot dig eller få dig ur balans.
- **Behåll kontrollen över maskinen och rör inte vid knivar, linor eller klingor och andra farliga rörliga delar medan de fortfarande är i rörelse.** Detta minskar risken för skador som orsakas av rörliga delar.

- **När du tar bort material som har fastnat eller utför service på maskinen måste du se till att alla strömbrytare är avstängda och att nätsladden är fränkopplad.** Om maskinen startar när du tar bort material som har fastnat eller när du utför service kan du skada dig allvarligt.
- **Se till att maskinen är avstängd när du bär den och håll den borta från kroppen.** Korrekt hantering av maskinen minskar risken för oavsiktlig kontakt med den rörliga klingan, linan eller kniven.
- **Vid transport eller förvaring av maskinen ska kåpan alltid monteras på metallblad.** Korrekt hantering av maskinen minskar risken för oavsiktlig kontakt med klingan.
- **Använd endast knivar, linor, skärhuvuden och klingor som specificerats av tillverkaren.** Felaktiga reservdelar kan orsaka haveri och skador.
- Denna produkt är ett farligt verktyg om du inte är försiktig eller om du använder produkten felaktigt. Den här produkten kan orsaka allvarlig eller livshotande skada för användaren och andra.
- Apparaten är inte avsedd för användning av personer (inklusive barn) med olika funktionshinder eller bristande erfarenhet och kunskap. De får endast använda apparaten under uppsikt eller om de får instruktioner om användning av apparaten av en person som ansvarar för deras säkerhet. Barn ska övervakas för att garantera att de inte leker med apparaten.
- Tillåt aldrig barn att använda eller vara i närheten av maskinen. Eftersom maskinen är lätt att starta kan barn starta den om de inte hålls under uppsikt. Detta kan innebära risk för allvarlig personskada. Avlägsna därför alltid batteriet när maskinen inte är under uppsikt.

## Annan allmän säkerhetsinformation

- Vid förflyttning till annat område ska produkten inaktiveras. Ta alltid bort batteriet när produkten lämnas över till en annan person.
- Ställ aldrig ner produkten om du inte har inaktiverat den och tagit ur batteriet. Lämna inte produkten utan uppsikt när den är påslagen.
- Skärverktyget stannar inte omedelbart efter att produkten stängs av.
- När produkten har utsatts för stötar reparerar du eventuellt slitage och skador innan du använder den.
- Om någonting fastnar i skärutrustningen när du använder produkten ska du stoppa och avaktivera produkten. Se till att skärutrustningen stannar helt. Ta bort batteriet innan du rengör, kontrollerar eller reparerar produkten och skärutrustningen.
- Kontrollera produkten före användning. Se *Säkerhetsanordningar på produkten på sida 395* och *Underhåll på sida 399*. Använd inte en defekt produkt. Utför de säkerhets-, underhålls- och serviceinstruktioner som beskrivs i denna bruksanvisning.
- En felaktig skärutrustning kan öka risken för olyckor.
- Kontrollera växeln med avseende på smuts och sprickor. Ta bort gräs och löv från växeln med hjälp av en borste. Handskar ska användas när det behövs.
- Se alltid till att ventilationsöppningarna är fria från skräp.
- Kontrollera att trimmerhuvudet sitter fast ordentligt på trimmern.
- Samtliga kåpor, skydd och handtag måste vara monterade före start.
- Kontrollera produkten så att den är i fullgott skick. Kontrollera att alla muttrar och skruvar är åtdragna.
- Kontrollera att trimmerhuvudet och trimmerskyddet inte har skador eller sprickor. Byt trimmerhuvud eller trimmerskydd om det har utsatts för slag eller har sprickor. Använd alltid rekommenderat skydd för den specifika skärutrustningen. Se *Tillbehör på sida 402*.
- Låt aldrig barn eller andra personer som inte utbildats i handhavande av produkten och/eller batteriet använda eller underhålla den.
- Förvara utrustningen i ett läsbart utrymme så att den är oåtkomlig för barn och obehöriga.
- Håll händer och fötter borta från skärområdet, särskilt när du startar motorn.
- Håll händer och fötter borta från skärutrustningen tills den har stannat helt när produkten är avaktiverad.
- Ta inte bort klippt material, och låt inte andra personer ta bort klippt material, medan produkten är aktiverad eller skärutrustningen roterar, eftersom detta kan orsaka allvarliga personskador.
- Kom ihåg att det är du som användare som ansvarar för att inte utsätta människor eller deras egendom för olyckor eller faror.
- Enhetens ursprungliga utformning får inte under några omständigheter ändras utan tillstånd från tillverkaren. Använd alltid originaltillbehör. Icke auktoriserade ändringar och/eller tillbehör kan medföra allvarliga skador eller dödsfall för föraren eller andra. Garantin kanske inte omfattar skador som orsakas av användning av icke godkända tillbehör eller reservdelar.
- De enda tillbehör du får använda produkten som drivkälla till är den skärutrustning som rekommenderas i kapitlet Tillbehör. Se *Tillbehör på sida 402*.
- Använd aldrig en produkt som har modifierats så att den inte längre överensstämmer med originalutförandet.
- Använd aldrig en produkt som är defekt. Följ säkerhets-, underhålls- och serviceinstruktioner i denna bruksanvisning. Vissa underhålls- och serviceåtgärder ska utföras av utbildade och kvalificerade specialister. Se anvisningar under rubriken Underhåll.
- Arbeta i dåligt väder är tröttsamt och kan öka riskerna. Vi rekommenderar inte att produkten används i mycket dåligt väder, till exempel vid tät

dimma, kraftigt regn, kraftig vind, extrem kyla eller risk för åskväder. eftersom det innebär ökade risker.

- Arbeta aldrig från en stege eller pall eller annan upphöjd position som inte är väl förankrad.
- Förvara apparater som inte är igång under tak – När apparater inte används ska de förvaras inomhus
- Det är omöjligt att täcka alla tänkbara situationer du kan ställas inför. Var alltid försiktig och använd sunt förnuft. Undvik situationer som du anser dig otillräckligt kvalificerad för. Om du efter att ha läst dessa instruktioner fortfarande känner dig osäker angående tillvägagångssätt ska du rådfråga en expert innan du fortsätter.
- Se till att inga människor eller djur kommer närmare än 15 meter under arbetets gång. När flera användare arbetar på samma område ska säkerhetsavståndet vara minst 15 meter. Annars finns det risk för allvarlig personskada. Stäng omedelbart av produkten om någon närmar sig arbetsplatsen. Sväng aldrig runt med produkten utan att först kontrollera bakåt att ingen befinner sig inom säkerhetszonen.
- Se till att människor, djur eller annat inte påverkar din kontroll över produkten och att de inte kommer i kontakt med skärutrustningen eller lösa föremål som slungas iväg av skärutrustningen. Använd aldrig produkten utan möjlighet att kunna påkalla hjälp i händelse av olycka.
- Se till att du kan gå och stå säkert. Titta efter eventuella hinder vid en oväntad förflyttning (rötter, stenar, grenar, gropar, diken osv.). Lakta stor försiktighet vid arbete i sluttande terräng.
- Gå – spring aldrig.
- Inspektera arbetsområdet. Avlägsna alla lösa föremål, exempelvis stenar, krossat glas, spikar, ståltråd och snören, som kan slungas iväg eller sno in sig i skärutrustningen eller dess skydd.
- Se upp för grenbitar som kan slungas iväg när du klipper. Klipp inte för nära marken där stenar eller andra lösa föremål kan slungas iväg.
- Se till att inga kläder eller kroppsdelar kommer i kontakt med skärutrustningen när produkten används. Håll produkten under midjenivå.
- Varning för utslungade föremål. Godkända ögonskydd ska alltid användas. Luta dig aldrig över skärutrustningens skydd. Stenar, skräp m.m. kan kastas upp i ögonen och orsaka blindhet eller allvarliga skador.
- Var alltid uppmärksam på varningssignaler eller tillrop när hörselskydd används. Ta alltid av hörselskydden så snart du stängt av produkten.
- Om oönskade vibrationer uppstår matar du ut en ny tråd med rätt längd för att häva vibrationerna.
- Om produkten börjar vibrera onormalt mycket ska du stoppa produkten och ta bort batteriet.
- Överexponering av vibrationer kan leda till blodkärls- eller nervskador hos personer som har dålig blodcirkulation. Prata med läkare om du upplever kroppsliga symptom som kan relateras

- till överexponering av vibrationer. Exempel på sådana symptom är domningar, känselbortfall, en kittlande känsla, stickningar, smärta, avsaknad eller reducering av normal styrka samt förändringar i hudens färg eller tillstånd. Dessa symptom uppträder vanligtvis i fingrar, händer eller handleder.
- Håll alltid produkten med båda händerna. Håll produkten på höger sida av kroppen.

## Personlig skyddsutrustning



**VARNING:** Läs varningsinstruktionerna nedan innan du använder produkten.

- Använd alltid godkänd personlig skyddsutrustning när du använder produkten. Personlig skyddsutrustning kan inte eliminera skaderisken helt, men den reducerar effekten av en skada vid ett eventuellt olyckstillbud. Be din återförsäljare om hjälp med att välja rätt utrustning.
  - Använd skyddshjälm där det finns risk för fallande föremål.
  - Använd godkända hörselskydd med tillräcklig dämpning. Långvarig exponering för buller kan ge bestående hörselskador.
  - Använd godkänt ögonskydd. Används visir måste även godkända skyddsglasögon användas. Godkända skyddsglasögon måste uppfylla standarden ANSI Z87.1 i USA och SS-EN 166 i EU-länder.
  - Använd visir för ansiktsskydd. Ett visir ger inte ett fullgott skydd för ögonen.
- (Fig. 19)
- Använd handskar vid behov, till exempel när du ansluter, undersöker eller rengör skärutrustningen.
  - Använd halkfria och stadiga stövlar.
  - Ha på dig kläder i slitstarkt material. Bär alltid kraftiga långbyxor och överdel med långa ärmar. Använd inte löst sittande kläder som kan fastna i kvistar och grenar. Bär inte smycken, kortbyxor eller sandaler och gå inte barfota. Sätt upp håret ordentligt så att det inte hänger nedanför axlarna.
- (Fig. 20)
- Ha första förband nära till hands.

(Fig. 21)

## Säkerhetsanordningar på produkten



**VARNING:** Läs varningsinstruktionerna nedan innan du använder produkten.

I detta avsnitt beskrivs produktens säkerhetsfunktioner, dess syfte samt hur kontroller och underhåll ska utföras för att säkerställa att den fungerar korrekt. Se anvisningar under rubrik *Introduktion på sida 390* för att ta reda på var dessa delar finns på din produkt.

Produktens livslängd kan förkortas och risken för olyckor kan öka om underhåll av produkten inte utförs på rätt sätt och om service och/eller reparationer inte utförs av specialutbildade tekniker. Kontakta din serviceverkstad om du behöver ytterligare information.



**VARNING:** Använd aldrig en produkt med skadade säkerhetskomponenter. Produktens säkerhetsutrustning ska kontrolleras och underhållas som beskrivs i detta avsnitt. Om din produkt inte klarar alla kontrollerna ska serviceverkstad uppsökas för reparation.



**OBSERVERA:** All service och reparation av maskinen kräver specialutbildning. Detta gäller särskilt maskinens säkerhetsutrustning. Om maskinen inte klarar någon av nedan listade kontroller ska du uppsöka en serviceverkstad. Ett köp av någon av våra produkter garanterar att du kan få en fackmannamässig reparation och service utförd. Om inköpsstället för maskinen inte är en av våra serviceverkstäder ska du fråga dem efter närmaste serviceverkstad.

## Kontrollera användargränssnittet

- Håll start-/stoppknappen (A) intryckt.
  - Produkten är på när displayen (B) är tänd. (Fig. 22)
  - Produkten är avstängd när displayen är släckt.
- Om varningslampan på displayen lyser eller blinkar läser du i *Användargränssnittet på sida 400*.

## Kontrollera gasreglagespärren

Gasreglagespärren är utformad för att förhindra oavsiktlig aktivering. När du trycker gasreglagespärren framåt (A) och sedan trycker den mot handtaget (B) frikopplas gasreglaget (C). När greppet om handtaget släpps återgår både gasreglaget och gasreglagespärren till sina respektive ursprungslägen. Denna rörelse drivs av tre oberoende fjädrar. (Fig. 23)

- Se till att gasreglaget är låst när gasreglagespärren är i sitt ursprungliga läge. (Fig. 24)
- Tryck in gasreglaget och kontrollera att det återgår till sitt ursprungsläge när det släpps. (Fig. 25)
- Kontrollera att gasreglaget och gasreglagespärren rör sig fritt och att deras returfjädersystem fungerar.
- Starta produkten, se *Starta produkten på sida 398*.
- Applicera fullt varvtal.
- Släpp gasreglaget och se till att sågkedjan stannar och att den förblir stilla.

## Kontrollera skärutrustningens skydd



**VARNING:** Använd inte skärutrustningen utan ett godkänt skydd som monterats korrekt på skärutrustningen. Använd alltid det rekommenderade skärutrustningsskyddet för den skärutrustning som du använder. Se *Tillbehör på sida 402*. Om fel eller defekt skydd för skärutrustningen monteras, kan detta orsaka allvarlig personskada.

Skärutrustningens skydd stoppar föremål som slungas ut mot användaren. Det förhindrar även skador som skulle inträffa om du vidrör skärutrustningen.

- Stanna produkten och ta ut batteriet.
- Kontrollera visuellt om det finns skador, till exempel sprickor. (Fig. 26)
- Byt ut skärutrustningen om den är skadad.

## Trimmerhuvud

- Använd alltid rätt trimmerhuvud och skärutrustning, och använd alltid rekommenderad trimmerlina. Se *Tillbehör på sida 402* och montering i slutet av handboken.
- Se till att kniven på trimmerskyddet inte är skadad.
- Se till att trimmerlinan lindas hårt och jämnt runt trumman för att förhindra osedvanliga vibrationer från produkten. Olika linlängder kan orsaka vibrationer som inte är nödvändiga. Knacka på trimmerhuvudet för att få rätt längd på linan.

För att få en längre livslängd på linan kan den läggas i vatten i två dygn eller längre innan den monteras. Det gör linan mer beständig.

## Säkerhetsinstruktioner för montering



**VARNING:** Läs, förstå och följ dessa anvisningar noggrant innan du använder produkten.

- Ta bort batteriet från produkten innan du monterar produkten.
- Använd godkända skyddshandskar.
- Ett skydd som är skadat eller inte fungerar korrekt kan leda till personsador. Använd inte någon skärutrustning som inte har ett godkänt skydd monterat.
- Se till att du har monterat kåpan och riggröret korrekt innan du startar produkten.
- Medbringarhjulet och stödfliansen måste passas in korrekt i skärutrustningens centrumhål. Skärutrustning som ansluts på fel sätt kan orsaka skador eller dödsfall.
- Om en sele medföljer tillbehöret måste den fästas korrekt på produkten. Selen ger säkrare användning

och förhindrar att användaren eller andra personer skadas.

## Säkerhetsinstruktioner för underhåll



**VARNING:** Läs varningsinstruktionerna nedan innan du utför underhåll på produkten.

- Ta ur batteriet innan du utför underhåll, övriga kontroller eller monterar produkten.
- Användaren får endast utföra underhålls- och servicearbeten som beskrivs i denna bruksanvisning. Vänd dig till en serviceverkstad för underhåll och service av större omfattning.
- Rengör inte batteriet eller batteriladdaren med vatten. Starka rengöringsmedel kan orsaka skador på plasten.

- Om du inte utför underhåll minskas produktens livscykel och risken för olyckor ökar.
- Särskild utbildning krävs för allt service- och reparationsarbete, särskilt för produktens säkerhetsanordningar. Om inte alla kontroller i den här bruksanvisningen är godkända efter att du gjort underhåll ska du kontakta din serviceverkstad. Vi garanterar att det finns professionella reparationer och service tillgängliga för din produkt.
- Använd endast originaltillbehör.
- Använd alltid kraftiga arbetshandskar när du reparerar skärutrustningen. Knivarna är vassa och kan lätt ge skärskador.

## Montering

### Så monterar du loophandtaget

1. Sätt fast loophandtaget på riggröret mellan pilarna. Placera inte loophandtaget eller upphängningsringen på etiketten. (Fig. 27)
2. Skjut in distansen i loophandtagets spår.
3. Sätt fast muttern, vredet och skruven, men dra inte åt för hårt.
4. Ställ in produkten i ett bekvämt läge.
5. Dra åt bulten.

### Montera skärutrustningen

Skärutrustningen inkluderar själva skärutrustningen och ett skydd till skärutrustningen.



**VARNING:** Använd skyddshandskar.



**VARNING:** Använd alltid ett rekommenderat skydd till skärutrustningen. Se *Tekniska data* på sida 401.



**VARNING:** En felaktigt ansluten skärutrustning kan resultera i personskada eller dödsfall.

### Montera skärutrustningsskyddet

1. Fäst skärutrustningsskyddet (A) på kroken på plåthållaren (B). (Fig. 28)
2. Montera skärutrustningsskyddet på axeln och dra åt det med bulten (C).

### Ta bort skärutrustningsskyddet

- Lossa bulten (C) och ta bort skärutrustningsskyddet (A) från riggröret. (Fig. 29)

### Montera trimmerhuvudena



**VARNING:** När du installerar skärutrustning är det ytterst viktigt att den upphöjda delen på medbringarghjulet/stödflänsen hamnar rätt i skärutrustningens centrumhål. En felaktigt installerad skärutrustning kan orsaka allvarlig och/eller livshotande personskada.



**VARNING:** Under inga omständigheter får någon skärutrustning användas utan att godkänt skydd monterats. Se *Tillbehör på sida 402*. Om fel eller defekt skydd monterats kan det orsaka allvarlig personskada.

### Montera trimmerhuvudet

1. Placera medbringarghjulet (B) på den utgående axeln.
2. Vrid den utgående axeln tills ett av hålen i medbringarghjulet är mitt för motsvarande hål i växelhuset.
3. För in låspinnen (C) i hålet så att riggröret låses.
4. Vrid trimmerhuvudet (H) motsols för att fästa. (Fig. 30)

### Ta av trimmerhuvudet

1. För in låspinnen (C) i hålet så att riggröret låses.
2. Vrid trimmerhuvudet (H) medurs för att ta bort det.
3. Ta bort medbringarghjulet (B) från den utgående axeln. (Fig. 30)

## Introduktion



**VARNING:** Läs och förstå säkerhetskapitlet innan du använder produkten.

## Ansluta batteriet till produkten



**VARNING:** Använd endast Husqvarna-originalbatterier i produkten.

1. Se till att batteriet är fulladdat.
2. Skjut in batteriet i produktens batterihållare. Batteriet läses på plats när du hör ett klickljud. (Fig. 31)



**OBSERVERA:** Om batteriet inte går enkelt in i batterihållaren är det inte korrekt installerat. Det kan orsaka skador på produkten.

3. Kontrollera att batteriet är korrekt installerat.

## Arbetsläge

- Håll produkten med båda händerna.
- Håll produkten på höger sida av kroppen.
- Håll skärutrustningen under midjenivå.
- Håll alla kroppsdelar borta från varma ytor.
- Håll alla kroppsdelar borta från skärutrustningen.

## Innan du använder produkten

- Undersök arbetsområdet för att se till att du känner till terrängtypen, markens lutning och om det finns hinder som stenar, grenar och gropar.
- Gör en övergripande kontroll av produkten.
- Utför säkerhetsinspektioner, underhåll och service enligt den här bruksanvisningen.
- Se till att alla kåpor, skydd, handtag och skärutrustning är korrekt anslutna och inte skadade.
- Kontrollera om stödfliänsen har sprickor. Byt ut stödfliänsen om den är skadad.

(Fig. 32)

- Undersök om trimmerhuvudet och skärutrustningens skydd har skador eller sprickor. Byt ut trimmerhuvudet och skärutrustningens skydd om de har träffats av något eller om de har sprickor.

(Fig. 33)

## Starta produkten

1. Håll startknappen intryckt tills den gröna lampan tänds. (Fig. 34)
2. Använd gasreglaget för att reglera hastigheten.

## Begränsa det maximala varvtalet med lägesknappen

Produkten har en lägesknapp. Med lägesknappen kan användaren begränsa det maximala varvtalet. Lägesknappen har tre hastighetsnivåer. En lägre nivå ökar drifttiden för produkten. Använd nivå 1 och 2 om arbetet inte kräver full hastighet/full effekt. Om full hastighet/effekt krävs för arbetet använder du nivå 3. Använd inte högre nivå än vad som behövs för arbetet.

1. Tryck på lägesknappen för att ställa in en gräns för det maximala varvtalet. De vita lamporna tänds för att visa att funktionen är på. (Fig. 35)
2. Tryck på lägesknappen igen för att välja nästa hastighetsnivå.

## Automatisk avstängningsfunktion

Produkten har en avstängningsfunktion som avaktiverar den om den inte används.

## Grästrimming med trimmerhuvud

### Klippa gräset

1. Håll trimmerhuvudet strax ovanför marken och luta det. (Fig. 36) Tryck inte ned grästrimmerlinan i gräset.
2. Använd 80 % hastighet när du klipper gräset nära föremål. (Fig. 37)

### Klippa gräset

1. Se till att grästrimmerlinan är parallell med marken när du klipper. (Fig. 38)
2. Tryck inte ned trimmerhuvudet mot marken. Marken och produkten kan skadas.
3. Låt inte trimmerhuvudet vidröra marken oavbrutet, eftersom det kan orsaka skador på trimmerhuvudet.
4. Använd fullt varvtal när du för produkten från sida till sida för att klippa gräs. (Fig. 39) Se till att grästrimmerlinan är parallell med marken.

### Sopa gräset

Luftflödet från den roterande trimmerlinan kan användas för att ta bort klipt gräs från ett område.

1. Håll trimmerhuvudet och dess sladd parallellt mot och ovanför marken.
2. Applicera fullt varvtal.
3. För trimmerhuvudet från sida till sida och sopa bort gräset.



**VARNING:** Rengör trimmerhuvudets kåpa varje gång du monterar en nya trimmerlina för att förhindra obalans och vibrationer i handtagen. Gör även en kontroll

av andra delar av trimmerhuvudet och rengör det vid behov.

2. Tryck på stoppknappen. (Fig. 34)
3. Tryck på frigöringsknapparna på batteriet och dra ut batteriet. (Fig. 40)

## Stoppa produkten

1. Släpp gasreglaget eller gasreglagespärren.

## Underhåll

### Introduktion



**VARNING:** Innan du utför något underhållsarbete måste du läsa och förstå kapitlet om säkerhet.

### Underhållsschema



**VARNING:** Ta bort batteriet innan du utför underhåll.

Nedan följer en lista över de underhållssteg som ska utföras på produkten.

Underhåll	Dagligen	Varje vecka	Varje månad
Rengör produktens yttre delar med en torr trasa. Använd inte vatten.	X		
Se till att start-/stoppknappen fungerar som den ska och inte är defekt.	X		
Kontrollera att gasreglaget och gasreglagespärren fungerar korrekt säkerhetsmässigt.	X		
Se till att samtliga kontroller fungerar och inte är skadade.	X		
Håll handtagen torra, rena och fria från olja och fett.	X		
Se till att skärutrustningen inte är skadad. Byt ut skärutrustningen om den är skadad.	X		
Se till att skärutrustningens skydd och kniv inte är skadade. Byt ut skärutrustningens skydd och kniv om de är skadade.	X		
Se till att skruvar och muttrar är åtdragna.	X		
Se till att frigöringsknapparna på batteriet fungerar och låser fast batteriet i produkten.	X		
Se till att batteriet inte är skadat.	X		
Se till att batteriet är laddat.	X		
Kontrollera att batteriladdaren fungerar korrekt och inte är skadad.	X		
Undersök alla kablar, kopplingar och anslutningar. Se till att de inte är skadade eller smutsiga.		X	
Se till att vinkelväxeln är rätt fylld med fett. Se <i>Smörja vinkelväxeln på sida 400</i> . Om inte använder du vinkelväxelfett från Husqvarna.		X	
Kontrollera anslutningarna mellan batteriet och produkten. Kontrollera anslutningen mellan batteriet och batteriladdaren.			X

## Rengöra produkten, batteriet och batteriladdaren

1. Rengör produkten med en torr trasa efter användning.
2. Rengör batteriet och batteriladdaren med en torr trasa. Håll batteriets styrspår rena.
3. Kontrollera att kontakterna på batteriet och batteriladdaren är rena innan batteriet sätts i batteriladdaren eller i produkten.

## Smörja vinkelväxeln

1. Tag bort skärutrustningen.
2. Placera produkten med fettpluggen i sitt högsta läge.
3. Ta bort fettpluggen. (Fig. 41)
4. Titta in i fettpluggens hål och vrid drivaxeln. Fettnivån (A) måste vara i nivå med toppen på kugghjulen (B). (Fig. 42)
5. Om fettnivån är för låg fyller du vinkelväxeln med vinkelväxelfett från Husqvarna. Fyll på långsamt och vrid drivaxeln medan du har på vinkelväxelfett. Stanna vid rätt nivå (B).



**OBSERVERA:** En felaktig mängd fett kan skada vinkelväxeln.

6. Montera fettpluggen.

## Felsökning

### Användargränssnitt

Problem	Eventuella fel	Möjlig åtgärd
Batteriets LED-kontrollampa blinkar orange	Låg batterispänning.	Ladda batteriet.
Varningslampan blinkar röd	Överbelastning.	Skärutrustningen har fastnat. Stäng av produkten. Ta bort batteriet. Rensa skärutrustningen från oönskat material.
	Temperaturavvikelse.	Låt produkten svalna.
	Gasreglaget och aktiveringsknappen trycks ner samtidigt.	Släpp gasreglaget så aktiveras produkten.
Produkten startar inte	Smuts i batteriets kontakter.	Rengör batteriets kontakter med tryckluft eller en mjuk borste.
Varningslampan lyser med rött sken	Produkten behöver service.	Kontakta en serviceverkstad.

## Transport, förvaring och kassering

### Transport och förvaring

- Medföljande litiumjonbatterier uppfyller kraven i lagstiftningen för farligt gods.
- Följ de särskilda kraven för förpackning och etiketter för kommersiella transporter, inklusive av tredje parter och speditörer.
- Tala med en person med särskild utbildning i farliga material innan du skickar produkten. Följ alla tillämpliga nationella föreskrifter.
- Använd tejp på öppna kontakter när du lägger batteriet i en förpackning. Lägg batteriet trångt i förpackningen för att förhindra rörelse.
- Ta ur batteriet vid förvaring eller transport.
- Placera batteriet och batteriladdaren i ett utrymme som är torrt och fritt från fukt och frost.
- Förvara inte batteriet på ställen där statisk elektricitet kan uppkomma. Förvara inte batteriet i en metallåda.
- Förvara batteriet på en plats där temperaturen är mellan 5 och 25 °C, och inte i direkt solljus.
- Förvara batteriladdaren på en plats där temperaturen är mellan 5 och 45 °C, och inte i direkt solljus.
- Använd endast batteriladdaren när omgivningstemperaturen är mellan 5 och 40 °C.
- Ladda batteriet till 30–50 % innan du förvarar det under längre perioder.
- Förvara batteriladdaren på en plats som är stängd och torr.
- Håll batteriet borta från laddaren under förvaring. Låt inte barn och personer som inte är godkända röra



utrustningen. Förvara utrustningen på en plats som du kan låsa.

- Rengör produkten och gör en fullständig service innan du ska förvara produkten under en längre tid.
- Använd transportskydd på produkten för att förhindra personsador eller skador på produkten under transport och förvaring.
- Sätt fast produkten under transport.

hushållsavfall. Återvinn den vid en återvinningsstation för elektrisk och elektronisk utrustning. Detta bidrar till att förhindra skador på miljön och personsador.

Kontakta lokala myndigheter, hushållsavfallsservice eller en återförsäljare för mer information om hur produkten kan återvinnas.

## Avyttring av batteriet, laddaren och produkten

Symbolerna på produkten eller dess förpackning indikerar att denna produkt inte får hanteras som

---

## Tekniska data

---

### Tekniska data

	<b>325iL</b>
<b>Motor</b>	
Motortyp	BLDC (borstlös) 36 V
Varvtal på utgående axel, 1/min	5 800
Klippbredd, mm	420
<b>Vikt</b>	
Vikt utan batteri och skårutrustning, kg	3,0
<b>Bulleremission</b> <sup>76</sup>	
Ljudeffektnivå, uppmätt dB(A)	93
Ljudeffektnivå, garanterad L <sub>WA</sub> dB(A)	96
<b>Bullemnivåer</b> <sup>77</sup>	
Ekvivalent ljudtrycksnivå vid användarens öra mätt enligt ISO 22868, dB(A):	
Utrustad med trimmerhuvud (original)	84
<b>Vibrationsnivåer</b> <sup>78</sup>	
Vibrationsnivåer i handtag, uppmätt enligt SS-EN ISO 22867, m/s <sup>2</sup>	
Utrustad med trimmerhuvud (original), fram/bak, m/s <sup>2</sup>	4,3/2,9

<sup>76</sup> Bulleremission till omgivningen uppmätt som ljudeffekt (LWA) enligt EG-direktiv 2000/14/EG. Rapporterad ljudeffektnivå för maskinen har uppmätts med den originalsårutrustning som ger den högsta nivån. Skillnaden mellan garanterad och uppmätt ljudeffekt är att den garanterade ljudeffekten också inkluderar spridning i mätresultatet och variationen mellan olika maskiner av samma modell enligt direktiv 2000/14/EG.

<sup>77</sup> Rapporterade data för ljudtrycksnivå för maskinen har en typisk statistisk spridning (standardavvikelse) på 3 dB(A) och har mätts med det originaltillbehör som ger den högsta nivån.

<sup>78</sup> Rapporterade data för vibrationsnivåer har en typisk statistisk spridning (standardavvikelse) på 2 m/s<sup>2</sup>. Vid jämförelse av vibrationsnivåer mellan batteri- och förbränningsdrivna produkter används vibrationsberäkaren på <https://www.husqvarna.com/uk/services-solutions/vibration-calculator/>.

## Godkända batterier

<b>Batteri</b>	<b>BLi 200</b>
Typ	Litiumjonbatteri
Batterikapacitet, Ah	5,2
Nominell spänning, V	36
Vikt, kg (lb)	1,3 (2,9)

## Godkända batteriladdare

<b>Batteriladdare</b>	<b>QC330</b>
Inspänning, V	100–240
Frekvens, Hz	50–60
Effekt, W	330

---

## Tillbehör

---

## Tillbehör

Godkända tillbehör	Tillbehörstyp	Skärutrustningens skydd, art.nr.
Centrumhål i klingor/knivar, Ø 25,4		
Gänga på utgående axel M10		
Trimmerhuvud	T35 (vriden Whisper-trimmerlina, högst Ø 2,4 mm)	597 01 62-02

# Försäkran om överensstämmelse

## EU-försäkran om överensstämmelse

Vi, **Husqvarna AB**, 561 82 Huskvarna, Sverige, tel:  
+46-36-146500, försäkrar på eget ansvar att produkten:

<b>Beskrivning</b>	Batteridrivna grässtrimmer
<b>Varumärke</b>	Husqvarna
<b>Typ/Modell</b>	325iL
<b>Identifiering</b>	Serienummer daterade 2023 och framåt

uppfyller alla krav i följande EU-direktiv och förordningar:

Direktiv/förordning	Beskrivning
2006/42/EG	"om maskiner"
2014/30/EMC	"angående elektromagnetisk kompatibilitet"
2011/65/EU	"om begränsning av farliga ämnen"
2000/14/EC	"angående buller utomhus"

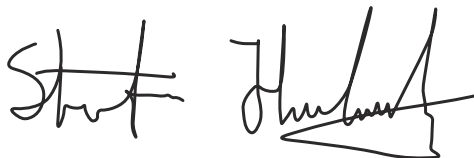
och att följande standarder och/eller tekniska specifikationer tillämpas: EN 62841-1:2015/AC:2015, EN 62841-4-4 (IEC 62841-4-4:2020), EN 61000-6-1:2007 (Immunity), EN 61000-6-3:2007/A1:2011/AC:2012 (Emission).

RISE SMP Svensk Maskinprovning AB, Box 4053, SE-904 03 Umeå, Sweden har utfört en frivillig typkontroll enligt bilaga IX till 2006/42/EG. Certifikatnummer: SEC/23/2579.

Notified body: 0404, RISE SMP Svensk Maskinprovning AB, Box 4053, SE-904 03 Umeå, Sweden har även intygat överensstämmelse med bilaga VI till rådets direktiv 2000/14/EG.

För information om bulleremissioner, se *Tekniska data på sida 401*.

Huskvarna, 2022-12-01



Stefan Holmberg, R&D Director, Technology Management, Husqvarna AB

Ansvarig för teknisk dokumentation



# İçindekiler

Giriş.....	404	Taşıma, depolama ve atma.....	415
Güvenlik.....	405	Teknik veriler.....	415
Montaj.....	411	Aksesuarlar.....	416
Çalışma.....	412	Uyumluluk Bildirimi.....	418
Bakım.....	413	Ek .....	447
Sorun giderme.....	414		

## Giriş

### Ürün açıklaması

Husqvarna 325iL, elektrikli motoru bulunan bir akülü çim budayıcıdır.

Kullanım sırasında güvenliğiniz ve verimliliği artırmak için sürekli olarak çalışmalar yapılmaktadır. Daha fazla bilgi için lütfen servis bayinizle görüşün.

### Kullanım amacı

Ürünü misina kafa ile değişik türdeki yeşillikleri kesmek için kullanın. Ürünü çim budama ve çim temizleme işleri dışında kullanmayın.

### Ürüne genel bakış

(Şek. 1)

1. Kullanım kılavuzu
2. Ayna dişli
3. Kilit pimi deliği
4. Budama kafası
5. Kesme ataşmanı siperliği
6. Çalıştırma diskli
7. Kombine anahtar
8. Yarım daire şeklindeki tutma yeri
9. Düğme
10. Mil
11. Kilit pimi
12. Uyarı gösterge LED'i
13. Çalıştırma/durdurma düğmesi
14. Hız modu düğmesi
15. Güç tetiği kilidi
16. Kullanıcı arayüzü
17. Güç tetiği
18. Akü şarj cihazı kablosu
19. Akü şarj cihazı
20. Güç ve Uyarı LED'i
21. Akü çıkarma düğmeleri
22. Akü
23. Şarj durumu için LED göstergesi
24. Uyarı LED'i
25. Akü gösterge düğmesi

**Not:** Kullanım, ulusal veya yerel yönetmelikler tarafından düzenlenebilir. Belirlenmiş yönetmeliklere uyun.

Ürünü yalnızca üretici tarafından onaylanmış aksesuarlarla kullanın. Bkz. *Aksesuarlar sayfa: 416*.

### Ürün üzerindeki semboller

(Şek. 2) **UYARI!** Bu ürün tehlikeli olabilir! Dikkatsiz veya hatalı kullanımı operatörde ya da başka kişilerde ciddi veya ölümcül yaralanmalara neden olabilir. Kullanım kılavuzunun içeriğini okumanız ve anlamanız son derece önemlidir. Lütfen kullanım kılavuzunu dikkatle okuyun ve ürünü kullanmadan önce talimatları anladığınızdan emin olun.

(Şek. 3) Onaylı kulak koruma ekipmanı kullanın. Onaylı koruyucu gözlük kullanın.

(Şek. 4) Maksimum hız veya yüksüz hız.

XXXX/dak veya dak<sup>1</sup> Dakika başına dönüş veya ileri-geri hareket.

(Şek. 5) Nominal voltaj, V

(Şek. 6) Doğru akım.

(Şek. 7) Ürün, geçerli AT direktiflerine uygundur.

(Şek. 8) Bu ürün yürürlükteki Birleşik Krallık yönetmeliklerine uygundur.

(Şek. 9)	Onaylı koruyucu eldiven kullanın.	güvenlik donanımı kullanılmazsa ciddi göz yaralanmalarına neden olabilir.
(Şek. 10)	Ağır işler için elverişli, kaymaya dirençli botlar kullanın.	(Şek. 14) Bakımdan önce akünün bağlantısını kesin.
(Şek. 11)	Yalnızca metalik olmayan esnek kesim ataşmanları kullanın.	(Şek. 15) Ürünün su sıçramasına karşı koruması bulunur.
(Şek. 12)	Ürün veya ambalajı üzerinde bulunan semboller, bu ürünün evsel atık olarak değerlendirilemeyeceğini belirtir. Bu ürün uygun bir geri dönüşüm tesisine gönderilmelidir.	(Şek. 16) Vücutunuzun tüm bölümlerini sıcak yüzeylerden uzak tutun.
(Şek. 13)	Ataşman, geriye sıçrayabilecek nesnelere güçlü bir şekilde fırlatabilir. Bu, önerilen	(Şek. 17) AB ve BK direktifleri ile düzenlemeleri ve Yeni Güney Galler mevzuatı "Çevre Koruma Operasyonları (Gürültü Kontrolü) Yönetmeliği 2017" uyarınca çevreye yayılan gürültü emisyonları etiketi. Ürünün garantili ses gücü düzeyi <i>Teknik veriler sayfa: 415</i> .

yyyyhhxxxx

Nominal değerler plakası, seri numarasını gösterir. **yyyy** üretim yılı, **hh** üretim haftası, **xxxx** ise sıra numarasıdır.

(Şek. 18)

Operatör, insanların veya hayvanların 15 metreden daha yakında bulunmamasını sağlamalıdır. Aynı alanda birden fazla operatör çalışıyorsa en az 15 metrelik güvenlik mesafesi bırakılmalıdır.

**Not:** Ürünün üzerindeki diğer semboller/etiketler, diğer ticari alanların sertifikalandırma gereklilikleri ile ilgilidir.

## Üründe oluşabilecek hasarlar

Aşağıdaki durumlarda ürünümüzde oluşabilecek hasarlardan sorumlu olmayız:

- ürünün hatalı bir şekilde onarılması,
- ürünün, üretici tarafından onaylanmayan veya üreticiden alınmayan parçalarla tamir edilmesi,
- üründe, üreticiden alınmayan veya üretici tarafından onaylanmayan bir aksesuar bulunması,
- ürünün, onaylı bir servis merkezinde veya yetkili bir kurum tarafından tamir edilmemesi.

## Güvenlik

### Güvenlik tanımları

Kılavuzdaki önemli kısımları vurgulamak için uyarılar ve notlar kullanılmıştır.



**UYARI:** Kılavuzdaki talimatlara uyulmadığı takdirde operatör veya çevredeki kişiler için ciddi yaralanma veya ölüm tehlikesi varsa kullanılır.



**DİKKAT:** Kılavuzdaki talimatlara uyulmadığı takdirde ürünün, diğer malzemelerin veya çevrenin zarar görme riski olduğunda kullanılır.

**Not:** Belirli bir durumda bilgi verilmesi gerektiğinde kullanılır.

### Genel elektrikli alet güvenlik uyarıları



**UYARI:** Bu elektrikli aletle birlikte verilen tüm güvenlik uyarılarını, talimatları, çizimleri ve teknik özellikleri okuyun. Aşağıda listelenen talimatların göz ardı edilmesi elektrik çarpmasına, yangına ve/veya ciddi yaralanmaya neden olabilir.

- **Tüm uyarı ve talimatları ilerde başvurmak üzere saklayın.** Uyarılardaki "elektrikli alet" ifadesi, şebeke akımıyla çalışan (kablolu) elektrikli aletinizi veya aküyle çalışan (kablosuz) elektrikli aletinizi belirtmektedir.

### Çalışma alanı güvenliği

- **Çalışma alanını temiz ve iyi aydınlatılmış tutun.** Kalabalık veya karanlık alanlar kazalara neden olabilir.

- **Elektrikli aletleri yanıcı sıvıların, gazların veya tozların bulunduğu patlayıcı ortamlarda çalıştırmayın.** Elektrikli aletler, toz veya gazı ateşleyebilecek kıvılcımlar çıkarır.
- **Elektrikli aletleri kullanırken çocukları ve yanınızdakileri uzakta tutun.** Dikkatinizin dağılması, kontrolü kaybetmenize neden olabilir.

## Elektrik güvenliği

- **Elektrikli aletlerin fişleri prize uygun olmalıdır.** Hiçbir zaman fişler üzerinde herhangi bir değişiklik yapmayın. Topraklı elektrikli aletlerle herhangi bir adaptör fiş kullanmayın. Değiştirilmemiş fişler ve uygun prizler, elektrik çarpması riskini azaltır.
- **Boru, radyatör, fırın, buzdolabı gibi topraklı yüzeylerle vücut temasından kaçının.** Vücudunuz topraklı ise elektrik çarpması riski artar.
- **Elektrikli aletleri yağmura veya ıslak koşullara maruz bırakmayın.** Elektrikli aletin içine giren su, elektrik çarpması riskini artırır.
- **Kabloyu kötü kullanmayın.** Kabloyu asla elektrikli aleti taşımak, çekmek veya fişini çıkarmak için kullanmayın. Kabloyu ısıdan, yağdan, keskin kenarlardan veya hareketli parçalardan uzakta tutun. Hasar görmüş veya dolaşmış kablolar, elektrik çarpması riskini artırır.
- **Elektrikli aleti dış mekanda çalıştırırken dış mekan kullanımına uygun bir uzatma kablosu kullanın.** Dış mekan için uygun bir kordon kullanmak, elektrik çarpması riskini azaltır.
- **Elektrikli aleti mutlak nemli bir ortamda çalıştırmaz gerekiyorsa artık akım cihazı (RCD) korumalı bir güç kaynağı kullanın.** RCD kullanmak elektrik şoku riskini azaltır.

## Kişisel güvenlik

- **Elektrikli aletleri kullanırken dikkatinizi yaptığınız işe verin, gözünüzü işinizden ayırmayın ve sağduyulu olun.** Yorgunken veya uyuşturucu, alkol ya da ilaç etkisi altındayken elektrikli aletleri kullanmayın. Elektrikli alet kullanırken bir anlık bir dikkatsizlik, ciddi yaralanmaya neden olabilir.
- **Kişisel koruyucu ekipmanlar kullanın.** Daima koruyucu gözlük takın. Uygun durumlarda toz maskesi, kaymayan güvenlik ayakkabıları, çelik başlık veya kulak koruma ekipmanı gibi koruyucu ekipman kullanımı yaralanmaları azaltır.
- **İstenmeyen çalıştırmaları önleyin.** Güç kaynağına ve/veya akü grubuna bağlanmadan, aleti kaldırmadan veya taşımadan önce anahtarın kapalı konumunda olduğundan emin olun. Elektrikli aletleri parmağınız çalıştırma düğmesindeyken taşımak veya açık elektrikli aletlere enerji vermek kazalara davetiye çıkarır.
- **Elektrikli aleti açmadan önce ayarlama anahtarlarını veya İngiliz anahtarlarını çıkarın.** Elektrikli aletin dönen kısmına takılı bırakılan İngiliz anahtarı veya anahtar yaralanmaya neden olabilir.
- **Makineyi kullanırken erişim alanınızın dışındaki yerlere uzanmaya çalışmayın.** Her zaman yere

**sağlam basın ve dengenizi koruyun.** Bu, elektrikli aletin beklenmedik durumlarda daha iyi kontrolünü sağlar.

- **Uygun giyinin.** Bol elbise veya takı giymeyin. Saçınızı ve kıyafetinizi hareketli parçalardan uzakta tutun. Hareketli parçalara bol giysiler, takılar veya uzun saçlar takılabilir.
- **Cihazlar toz çekme ve toplama takımı bağlantısı ile geldiyse bunların bağlı olduğundan ve düzgün kullanıldığından emin olun.** Toz toplama özelliği tozla ilgili tehlikeleri azaltabilir.
- **Aletleri sık kullanmanın verdiği aşinalıkla kendinizi rahat hissedip alet güvenlik ilkelerini görmezden gelmeyin.** Dikkatsizce gerçekleştirilen işlemler bir anda ciddi yaralanmalara neden olabilir.

## Elektrikli alet kullanımı ve bakımı

- **Elektrikli aleti zorlamayın.** Yapacağınız iş için uygun olan elektrikli aleti kullanın. Doğru elektrikli alet, tasarlandığı oranda işi daha iyi ve güvenli yapar.
- **Anahtar, elektrikli aleti açıp kapatmıyorsa elektrikli aleti kullanmayın.** Anahtar ile kontrol edilemeyen elektrikli aletler tehlikelidir ve onarılmalıdır.
- **Herhangi bir ayarlama yapmadan, aksesuar değiştirmeden veya elektrikli aletleri depolamadan önce elektrikli aletin fişini güç kaynağından çekin ve/veya çıkarılabilirse akü grubunu çıkarın.** Bu tür önleyici güvenlik önlemleri, elektrikli aletin kazara çalıştırılma riskini azaltır.
- **Kullanılmayan elektrikli aletleri çocukların erişemeyeceği yerde saklayın ve elektrikli alete veya elektrikli aleti kullanmak üzere bu talimatlara yabancı olan kişilere izin vermeyin.** Elektrikli aletler, eğitimsiz kullanıcıların elinde tehlikelidir.
- **Elektrikli aletlerin ve aksesuarların bakımını yapın.** Hareketli parçaların yanlış konumlandırılması veya takılması, parçaların kırılması ve elektrikli aletin çalışmasını etkileyebilecek herhangi bir durum olup olmadığını kontrol edin. Hasarlı ise kullanmadan önce elektrikli aleti tamir ettirin. Çoğu kaza yetersiz bakım yapılmış elektrikli aletlerden kaynaklanmaktadır.
- **Kesme araçlarını keskin ve temiz tutun.** Bakımı düzgün yapılmış, kesen tarafları yeterli keskinlikte olan kesme araçlarının takılma ihtimali daha az olup kontrol etmesi daha kolaydır.
- **Elektrikli alet, aksesuarlar, araç parçaları vb. bileşenleri, çalışma koşullarını ve yapılacak işi göz önünde tutarak bu talimatlara uygun şekilde kullanın.** Elektrikli aletin düşünülen amaçlar dışında kullanılması tehlikeli bir duruma yol açabilir.
- **Tutma yerlerini ve kavrama yüzeylerini kuru, temiz, gres ve yağdan arındırılmış halde tutun.** Kaygan tutma yerleri ve kavrama yüzeyleri beklenmedik durumlarda aletin güvenli bir şekilde kullanılmasına ve kontrol edilmesine imkan tanımaz.

## Akülü alet kullanımı ve bakımı

- **Sadece üreticinin belirttiği şarj aletiyle şarj edin.** Bir akü grubu için uygun olan bir şarj aleti başka bir akü grubuyla kullanıldığında yangın riski doğurabilir.
- **Elektrikli aletleri sadece özel olarak geliştirilmiş akü gruplarıyla kullanın.** Farklı türde akü gruplarının kullanılması yangın ve yaralanma riski doğurabilir.
- **Akü grubunu, kullanımda değilken ataç, bozuk para, anahtar, çivi, vida veya diğer küçük metal cisimler gibi bir ucun başka bir uca bağlanmasına neden olabilecek cisimlerden uzak tutun.** Akü uçlarının kısa devre yapması yanıklara veya yangına neden olabilir.
- **Zorlayıcı koşullarda aküden sıvı sızabilir; bu sıvıya dokunmayın. Kazara dokunursanız temas eden kısmı bol suyla yıkayın. Sıvı, göze temas ederse ayrıca doktora başvurun.** Aküden sızan sıvı cildin tahriş olmasına veya yanıklara neden olabilir.
- **Hasarlı veya üzerinde değişiklik yapmış akü grubunu veya aleti kullanmayın.** Hasarlı veya üzerinde değişiklik yapılmış aküler; yangın, patlama ya da yaralanma riski ile sonuçlanabilecek beklenmedik durumlara yol açabilir.
- **Akü grubunu veya aleti ateşe ya da aşırı sıcaklığa maruz bırakmayın.** Bunların ateşe veya 130°C / 266°F üzeri sıcaklığa maruz kalması patlamaya neden olabilir.
- **Tüm şarj etme talimatlarına uyun ve akü grubunu ya da aleti talimatlarda belirtilen sıcaklık aralığı dışında şarj etmeyin.** Belirtilen sıcaklık aralığının dışında veya hatalı olarak yapılan şarj işlemleri, aküye zarar verebilir ve yangın riskini artırabilir.

## Servis

- **Elektrikli aletinizin yalnızca aynı yedek parçalar kullanılan uzman bir tamirci tarafından onarılması sağlayın.** Bu, elektrikli aletin güvenliğinin sağlanması için gereklidir.
- **Hasarlı akü gruplarına asla servis işlemi uygulamayın.** Akü gruplarının servis işlemleri yalnızca üretici veya yetkili servis sağlayıcıları tarafından gerçekleştirilmelidir.

## Çim budayıcı, çalı tırpanı ve çalı testeresi güvenlik uyarıları

- **Makineyi kötü hava koşullarında; özellikle de yıldırım düşmesi riski olduğunda kullanmayın.** Bu, bir yıldırım tarafından çarpılma riskini azaltır.
- **Makinenin kullanılacağı alandaki doğal hayatı dikkatlice inceleyin.** Çalışma sırasında doğal hayat, makine nedeniyle zarar görebilir.
- **Makinenin kullanılacağı alanı dikkatlice kontrol edin; tüm taşları, dal parçalarını, telleri, kemikleri ve diğer yabancı nesnelere kaldırın.** Fırlayan nesnelere yaralanmalara neden olabilir.
- **Makineyi kullanmadan önce daima kesicinin veya bıçağın ve kesici ya da bıçak tertibatının hasarlı olup olmadığını gözle kontrol edin.** Hasarlı parçalar yaralanma riskini artırır.

- **Aksesuarları değiştirme talimatlarına uyun.** Yanlış sıkılmış bıçak sabitleme somunları veya civataları bıçağa zarar verebilir ya da bıçağın ayrılmasına neden olabilir.
- **Kesicinin nominal dönüş hızı, en az makine üzerinde işaretlenen maksimum dönüş hızına eşit olmalıdır.** Nominal dönüş hızından daha yüksek hızda çalışan kesiciler kırılabilir ve parçalanabilir.
- **Göz, kulak, baş ve el koruması takın.** Uygun koruyucu ekipman, sıçrayan döküntülerden veya kesme misinası ya da bıçak ile kazara temas etmekten kaynaklanabilecek yaralanma riskini azaltır.
- **Makineyi kullanırken her zaman kaymayan koruyucu ayakkabı giyin. Makineyi çıplak ayakla veya açık sandalet giyerken çalışmayın.** Bu, ayakların hareket eden kesici, misina veya bıçağa temas etmesiyle oluşabilecek yaralanma olasılığını azaltır.
- **Makineyi kullanırken her zaman uzun pantolon giyin.** Açıkta kalan cilt, fırlatılan nesnelere kaynaklanan yaralanma olasılığını artırır.
- **Makineyi kullanırken çevredeki kişileri uzak tutun.** Fırlayan döküntüler ciddi kişisel yaralanmalara neden olabilir.
- **Makineyi çalıştırırken her zaman iki elinizi kullanın.** Makineyi her iki elinizle tutmak kontrol kaybını önler.
- **Makineyi yalnızca yalıtılmış kavrama yüzeylerinden tutun; kesme misinası veya bıçak gizli kablo bağlantılarına temas edebilir.** Kesme misinasının veya bıçakların, içinden "elektrik geçen" bir elektrik kablosuna temas etmesi makinenin metal parçalarına "elektrik yüklenmesine" ve operatöre elektrik çarpmasına neden olabilir.
- **Her zaman yere sağlam basın ve makineyi yalnızca yerde dururken çalıştırın.** Kaygan veya dengesiz yüzeyler dengenizi veya makinenin hakimiyetini kaybetmenize neden olabilir.
- **Makineyi aşırı dik eğimlerde kullanmayın.** Bu, yaralanmaya neden olabilecek kontrol kaybı, kayma ve düşme riskini azaltır.
- **Eğimli yerlerde çalışırken her zaman yere sağlam basın, makineyi eğimli yüzeye paralel kullanın, asla yukarı veya aşağı doğru kullanmayın ve yön değiştiren çok dikkatli olun.** Bu, yaralanmaya neden olabilecek kontrol kaybı, kayma ve düşme riskini azaltır.
- **Makine çalışırken vücudunuzun tüm uzuvlarını kesiciden, misinadan ve bıçaktan uzak tutun. Makineyi çalıştırmadan önce kesicinin, misinanın veya bıçağın herhangi bir nesneye temas etmediğinden emin olun.** Makineyi çalıştırırken bir anlık dikkatsizlik, sizin veya başkalarının yaralanmasına neden olabilir.
- **Makineyi bel yüksekliğinin üzerinde çalıştırmayın.** Bu sayede, istenmeyen kesici veya bıçak teması önlenebilir ve beklenmedik durumlarda makine daha iyi kontrol edilebilir.
- **Gergin duran bir ağaç dalını veya fundalığı keserken, dalın veya fundalığın aniden fırlamasına karşı dikkatli olun.** Ağaç liferindeki gerilim boşaldığı

anda ağaç dalı veya fundalık, operatöre çarpabilir ve/veya makinenin kontrolden çıkmasına neden olabilir.

- **Fundalıkları veya fidanları keserken son derece dikkatli olun.** İnce parçalar biçığa takılıp size doğru fırlayabilir ya da dengenizi kaybetmenize neden olabilir.
- **Makinenin kontrolünü sağlayın ve hareket halindeyken kesicilere, misinalara veya bıçaklara ve diğer tehlikeli hareketli parçalara dokunmayın.** Bu, hareketli parçalardan kaynaklanan yaralanma riskini azaltır.
- **Sıkışmış malzemeleri temizlerken veya makineye bakım yaparken, tüm güç anahtarlarının kapalı olduğundan ve güç kablosunun çıkarıldığından emin olun.** Sıkışmış malzemeyi temizlerken veya bakım yaparken makinenin beklenmedik şekilde çalışması ciddi yaralanmalara neden olabilir.
- **Makineyi, kapalı şekilde ve vücudunuzdan uzak tutarak taşıyın.** Makinenin doğru şekilde kullanılması; hareketli kesici, misina veya bıçak ile kazara temas etme riskini azaltır.
- **Makineyi taşıırken veya depolarken, kapağı mutlaka metal bıçakların üzerine takın.** Makinenin doğru şekilde kullanılması, bıçakla kazara temas etme riskini azaltır.
- **Yalnızca üretici tarafından belirtilen yedek kesicileri, misinaları, kesme kafalarını ve bıçakları kullanın.** Yanlış yedek parçalar kırılma ve yaralanma riskini artırabilir.

## Diğer genel güvenlik bilgileri

- Ürünü başka bir alana taşımadan önce devre dışı bırakın. Ürünü başka birine verirken her zaman aküyü çıkarın.
- Ürünü devre dışı bırakmadıysanız ve aküyü çıkarmadıysanız ürünü asla yere koymayın. Ürünü açıkken gözetimsiz bırakmayın.
- Kesim aleti ürün kapatıldıktan sonra hemen durmaz.
- Ürünü kullanmadan önce ve herhangi bir darbe sonrasında, yıpranma veya hasar bakımından kontrol edin ve gereken şekilde onarın.
- Ürünü kullanırken kesme ataşmanına herhangi bir şey takılırsa ürünü durdurun ve devre dışı bırakın. Kesme ataşmanının tamamen durduğundan emin olun. Ürünü ve/veya kesme ekipmanını temizlemeden, incelemeyen veya onarmadan önce aküyü çıkarın.
- Kullanmadan önce ürünü kontrol edin. Bkz. *Ürünün üzerindeki güvenlik araçları sayfa: 410 ve Bakım sayfa: 413.* Arızalı ürünü kullanmayın. Bu kılavuzda belirtilen güvenlik kontrolleri, bakım ve servis talimatlarını uygulayın.
- Hatalı bir kesme ataşmanı kaza riskini artırabilir.
- Dişlide kir veya çatlak olup olmadığını kontrol edin. Bir fırçayla dişlideki çim ve yaprakları temizleyin. Gerekliğinde eldiven takılmalıdır.
- Havalandırma deliklerinde döküntü olmadığından daima emin olun.

- Budama kafasının çim budayıcıya tam olarak bağlanmış olduğunu kontrol edin.
- Çalıştırmadan önce tüm kapaklar, siperlikler ve tutma yerleri takılmış olmalıdır.
- Ürünün mükemmel çalışır durumda olup olmadığını kontrol edin. Tüm somunların ve vidaların sıkı olup olmadığını kontrol edin.
- Budama kafasının ve çim budayıcı siperliğinin hasarsız ve çatlak olup olmadığını kontrol edin. Darbe almış ya da çatlamışsa budama kafası veya çim budayıcı siperliğini değiştirin. Daima, kullandığınız kesme ataşmanı için önerilen siperliği kullanın. Bkz. *Aksesuarlar sayfa: 416.*
- Bu ürün, dikkatli olmamanız ya da ürünü doğru kullanmamanız halinde tehlikeli bir alettir. Bu ürün, operatör ya da başkaları açısından ciddi yaralanmalara veya ölüme neden olabilir.
- Bu cihaz, güvenliklerinden sorumlu bir kişi tarafından gözetim altında tutulmadıkları ya da cihazın kullanımına ilişkin talimatları sağlanmadıkça, fiziksel, duyuusal veya zihinsel yetenekleri sınırlı olan ya da gerekli deneyim ve bilgiye sahip olmayan kişiler (çocuklar dahil) tarafından kullanılmak üzere tasarlanmamıştır. Cihazla oynamadıklarından emin olmak için çocuklar gözetim altında tutulmalıdır.
- Çocukların makineyi kullanmasına veya yakınında bulunmasına kesinlikle izin vermeyin. Makinenin çalıştırılması kolay olduğundan, çocuklar tam gözetim altında tutulmadıklarında makineyi çalıştırabilirler. Bu da ciddi yaralanma riski doğurur. Bu nedenle, makine yakın gözetim altında olmadığında akü bağlantısını kesin.
- Çocukların veya ürünün ve/veya akünün kullanımı konusunda eğitilmemiş diğer kişilerin ürünü kullanmasına veya üründe servis işlemleri yapmasına kesinlikle izin vermeyin.
- Ekipmanı, çocukların ve yetkisiz kişilerin erişemeyeceği şekilde kilitlenebilir bir yerde depolayın.
- Ellerinizi ve ayaklarınızı daima, özellikle de motor çalıştırılırken kesim alanından uzak tutun.
- Ürün devre dışı bırakıldığında tamamen durana kadar ellerinizi ve ayaklarınızı kesme ataşmanından uzak tutun.
- Ciddi yaralanmalara neden olabileceğinden, ürün çalışırken veya kesme ekipmanı dönerken kesilen malzemeyi çıkarmayın veya başka kişilerin kesilen malzemeyi çıkarmasına izin vermeyin.
- İnsanların veya mallarının kazaları veya tehlikelere maruz kalmasını önlemenin operatör olarak sizin sorumluluğunuzda olduğunu unutmayın.
- Üreticinin izni alınmadan ürün tasarımında hiçbir şekilde değişiklik yapılamaz. Her zaman orijinal aksesuarlar kullanın. Onaylanmamış değişiklikler ve/veya aksesuarlar operatör veya başkaları açısından ciddi yaralanmalara veya ölüme neden olabilir. Garantiniz, onaylanmamış aksesuarların veya yedek parçaların kullanılmasından kaynaklanan hasarı kapsamaz veya bunlar için sorumluluk kabul etmez.



- Bu ürün ile birlikte kullanabileceğiniz tek aksesuar, Aksesuarlar bölümünde önerilen kesme ataşmanlarıdır. Bkz. *Aksesuarlar sayfa: 416*.
- Orjinal teknik özellikleri herhangi bir şekilde değiştirilmiş bir ürünü asla kullanmayın
- Arızalı bir ürünü kesinlikle kullanmayın. Bu kılavuzda belirtilen güvenlik kontrolleri ile bakım ve servis talimatlarına uyun. Bazı bakım ve servis işlerinin sadece yetkili ve kalifiye teknisyenler tarafından yapılması gerekir. Bakım başlığı altındaki talimatlara bakın.
- Kötü hava şartlarında çalışmak yorucu olabilir ve genellikle beraberinde tehlikeler getirir. Beraberinde getirebileceği riskler nedeniyle makinenin yoğun sis, sağanak yağmur, şiddetli rüzgar, aşırı soğuk veya yıldıırım düşme riskinin olduğu durumlar gibi çok kötü hava koşullarında kullanılması tavsiye edilmez
- Asla tam anlamıyla sabitlenmemiş bir merdiven, tabure veya diğer yüksek konumlar üzerinde çalışmayın.
- Boşta Duran Cihazları İç Mekanlarda Saklayın. Cihazlar, kullanılmadıklarında iç mekanlarda saklanmalıdır
- Karşılaşabileceğiniz tüm olası durumları ele almak mümkün değildir. Her zaman dikkatli ve sağlıklı olun. Kontrol edemeyeceğinizi düşündüğünüz tüm durumlardan kaçının. Bu talimatları okuduktan sonra çalıştırma prosedürleri konusunda hala emin olmadığınız noktalar varsa devam etmeden önce bir uzmana danışmalısınız.
- Çalışırken hiçbir insan veya hayvanın 15 metreden daha yakın olmadığından emin olun. Aynı çalışma alanında birkaç operatör çalıştığında, güvenli mesafe en az 15 metre olmalıdır. Aksi takdirde ciddi yaralanma riski vardır. Herhangi biri yaklaşırsa ürünü derhal durdurun. Güvenlik bölgesi içinde kimsenin bulunmadığından emin olmak için arkanızı kontrol etmeden ürünü asla sallamayın.
- İnsanların, hayvanların veya diğer nesnelere ürün kontrolünüzü etkilemeyeceğinden veya bunların kesme ataşmanı ile ya da kesme ataşmanının fırlattığı sabit olmayan nesnelere temas etmeyeceğinden emin olun. Buna rağmen bir kaza durumunda yardım isteyemeyeceksiniz ürünü kullanmayın.
- Güvenli bir şekilde hareket edebildiğinizden ve ayakta durabildiğinizden emin olun. Ani hareket etmeniz gerekebileceğini göz önünde bulundurarak çevrenizdeki olası engelleri (kökler, taşlar, dallar, çukurlar vs.) kontrol edin. Eğimli yüzeyde çalışırken çok dikkatli olun.
- Yürüyün, asla koşmayın.
- Çalışma alanını inceleyin. Taş, kırık cam, çivi, çelik tel, ip vb. fırlatabilecek veya kesiciye ya da kesici siperliğine dolaşabilecek tüm sabit olmayan nesnelere kaldırın.
- Keserken fırlatabilecek dal parçalarına dikkat edin. Kesme işlemini yere yakın yapmayın. Taşlar ve diğer nesnelere fırlatabilir.

- Ürün çalıştırıldığında kıyafetlerin veya vücudunuzun kesme ataşmanı ile temas etmemesine dikkat edin. Ürünü bel seviyenizin altında tutun.
- Savrulan nesnelere dikkat edin. Daima onaylanmış bir koruyucu gözlük takınız. Asla kesim ataşmanı siperliğine dayanmayın. Taşlar, çöpler vb. maddelere gözlemler fırlatabilir ve körlüğe veya ciddi yaralanmalara neden olabilir.
- Kulak koruma ekipmanı taktığınızda uyarı sinyallerine veya bağırma seslerine karşı dikkatli olun. Ürün durur durmaz kulak koruma ekipmanınızı mutlaka çıkarın.
- İstenmeyen titreşimler oluşursa misinayı doğru uzunluğuna getirmek için yeni misinaya hafifçe dokunarak titreşimleri durdurun.
- Ürün anormal şekilde titriyorsa ürünü durdurun ve aküyü çıkarın.
- Titreşime aşırı ölçüde maruz kalmak, dolaşım bozukluğu olan kişilerde dolaşım veya sinir sistemi hasarına yol açabilir. Titreşime aşırı maruz kalma belirtileri yaşıyorsanız doktorunuzla konuşun. Bu belirtiler arasında uyuşma, his kaybı, karıncalanma, iğnelenme, acı, güç kaybı, cilt renginde veya derisinde değişiklik bulunmaktadır. Bu belirtiler çoğunlukla parmaklarda, ellerde veya bileklerde ortaya çıkar.
- Ürünü daima iki elinizle tutun. Ürünü vücudunuzun sağ tarafında tutun.

## Kişisel koruyucu ekipman



**UYARI:** Ürünü kullanmadan önce aşağıdaki uyarı talimatlarını okuyun.

- Ürünü kullanırken daima onaylı kişisel koruyucu ekipmanları kullanın. Kişisel koruyucu ekipmanlar yaralanma riskini tamamen engelleyemez ancak bir kaza durumunda yaralanmanın derecesini azaltır. Bayinizin doğru ekipmanı seçmenize yardımcı olmasını sağlayın.
  - Nesnelere düşme riski bulunan yerlerde koruyucu kask kullanın.
  - Yeterli gürültü azaltması sağlayan onaylı kulak koruma ekipmanını kullanın. Uzun süre gürültüye maruz kalınması sürekli işitme bozukluğuna yol açabilir.
  - Onaylı koruyucu gözlük kullanın. Vizör kullanıyorsanız onaylı koruma gözlüğü de kullanmanız gerekir. Onaylı koruma gözlüğü ABD'de ANSI Z87.1 veya AB ülkelerinde EN 166 standardıyla uyumlu olmalıdır.
  - Yüz koruması için vizör kullanın. Vizör, göz koruması için yeterli değildir.
- (Şek. 19)
- Kesme donanımını takma, kontrol etme veya temizleme gibi eldiven gerektiren durumlarda eldiven kullanın.
  - Sağlam, kaymaz botlar kullanın.

- Sağlam kumaştan yapılmış kıyafetler kullanın. Daima kalın ve uzun pantolonlarla uzun kollu kıyafetler kullanın. Çalılara ve dallara takılabilecek bol kıyafetler kullanmayın. Takı takmayın; şort, sandalet giymeyin veya çıplak ayakla dolaşmayın. Saçınızı güvenli bir şekilde omuz hizasının üzerinde toplayın.

(Şek. 20)

- İlk yardım ekipmanını yakında bulundurun.

(Şek. 21)

## Ürünün üzerindeki güvenlik araçları



**UYARI:** Ürünü kullanmadan önce aşağıdaki uyarı talimatlarını okuyun.

Bu bölümde ürünün güvenlik özellikleri, amacı ve ürünün düzgün çalışması için bakım ve kontrollerin nasıl yürütülmesi gerektiği açıklanmaktadır. Ürününüzde bu parçaların nerede bulunduğunu görmek için *Giriş sayfa: 404* başlığı altındaki talimatları okuyun.

Ürün bakımı doğru olarak yapılmazsa ve servis ve/veya onarım işlemleri profesyonel olarak uygulanmazsa ürünün kullanım ömrü azalabilir ve kaza riski artabilir. Daha fazla bilgiye ihtiyacınız olursa lütfen en yakın servis bayisiyle iletişime geçin.



**UYARI:** Güvenlik bileşenleri hasarlı olan bir ürünü asla kullanmayın. Ürünün güvenlik donanımı bu bölümde açıklandığı gibi kontrol edilmeli ve bakıma alınmalıdır. Ürününüz bu kontrollerden herhangi birini geçemezse onarım için servis noktasızla iletişime geçin.



**DİKKAT:** Makine üzerindeki tüm servis ve onarım işlemleri özel eğitim gerektirir. Bu durum özellikle makinenin güvenlik ekipmanı için geçerlidir. Makineniz aşağıda açıklanan kontrollerden herhangi birinden geçemezse servis noktasıyla iletişime geçmelisiniz. Herhangi bir ürünü satın aldığınızda profesyonel onarım ve servis hizmetlerinin mevcut bulunduğunu garanti etmekteyiz. Makinenizi satan bayi bir servis bayisi değilse size en yakın servis noktasının adresini sorun.

## Kullanıcı arayüzünü kontrol etme

1. Çalıştırma/durdurma düğmesine (A) basılı tutun.
  - a) Ekran (B) açıldığında ürün çalışıyor demektir. (Şek. 22)
  - b) Ekran kapandığında ürün de kapanmış olur.
2. Ekrandaki uyarı göstergesi yanıyor veya yanıp sönüyorsa bkz. *Kullanıcı arayüzü sayfa: 414*.

## Güç tetiği kilidini kontrol etme

Güç tetiği kilidi, kazara çalıştırılmayı önlemek üzere tasarlanmıştır. Güç tetiği kilidini ileri (A) ittiğinizde ve ardından güç tetiği kilidini tutma yerine (B) bastırdığınızda güç tetiği (C) serbest kalır. Tutma yerini bıraktığınız anda güç tetiği ve güç tetiği kilidi orijinal konumlarına geri döner. Bu hareket, üç bağımsız yay tarafından gerçekleştirilir. (Şek. 23)

1. Güç tetiği kilidi orijinal konumundayken güç tetiğinin kilitli olduğundan emin olun. (Şek. 24)
2. Güç tetiğine basın ve serbest bıraktığınızda orijinal konumuna geri döndüğünden emin olun. (Şek. 25)
3. Güç tetiğinin ve güç tetiği kilidinin serbestçe hareket ettiğinden ve dönüş yayının düzgün çalıştığından emin olun.
4. Ürünü çalıştırın; bkz. *Ürünü çalıştırma sayfa: 412*.
5. Tam hız uygulayın.
6. Güç tetiğini serbest bırakın ve kesme ataşmanının durduğundan ve sabit kaldığından emin olun.

## Kesme donanımı siperliğini kontrol etme



**UYARI:** Kesme donanımını onaylı ve doğru takılmış bir kesme donanımı siperliği olmadan kullanmayın. Kullandığınız kesme donanımı için daima tavsiye edilen kesme donanımı siperliğini kullanın; bkz. *Aksesuarlar sayfa: 416*. Hatalı veya arızalı kesme donanımı siperliği takılması ciddi yaralanmaya neden olabilir.

Kesme donanımı siperliği, operatöre doğru fırlatılan nesnelere engeller. Kesme donanımına dokunduğunuzda oluşabilecek yaralanmalara da önlere.

1. Ürünü durdurun ve aküyü çıkarın.
2. Çatlama gibi herhangi bir hasar olup olmadığını gözünüzle kontrol edin. (Şek. 26)
3. Hasar görmesi durumunda kesme ataşmanı siperliğini değiştirin.

## Misina kafa

- Her zaman doğru misina kafayı, kesme donanımlarını kullanın ve her zaman önerilen misinayı kullanın. *Aksesuarlar sayfa: 416* bölümüne ve Kılavuzun sonundaki düzeneğe bakın.
- Biçici siperliği üzerindeki kesicinin hasarlı olmadığından emin olun.
- Ürünü olağan dışı titreşimlere karşı korumak için misinanın tamburun etrafına sıkıca ve eşit şekilde sarıldığından emin olun. Farklı ip uzunlukları, gerekli olmayan titreşimlere neden olabilir. İp üzerinde doğru uzunlukları elde etmek için misina kafaya hafifçe dokunun.

İpin ömrünü uzatmak için takmadan önce ipi 2 gün veya daha uzun bir süre suya batırabilirsiniz. Bu işlem ipi daha da dayanıklı hale getirir.

## Montaj için güvenlik talimatları



**UYARI:** Ürünü kullanmadan önce bu talimatları dikkatle okuyun ve bunlara uyun.

- Ürünü monte etmeden önce aküyü üründen çıkarın.
- Onaylı koruyucu eldiven kullanın.
- Hasarlı veya düzgün çalışmayan bir siperlik yaralanmaya neden olabilir. Onaylı siperlik takılı olmayan bir kesme ataşmanını kullanmayın.
- Ürünü çalıştırmadan önce kapağı ve mili doğru şekilde monte ettiğinizden emin olun.
- Tahrik diski ve destek flanşı, kesme ataşmanının orta deliğine doğru şekilde yerleşmelidir. Yanlış şekilde takılmış kesme ataşmanı yaralanmaya veya ölüme neden olabilir.
- Ataşmanla birlikte bir kuşam askılık verilirse bu kuşam askılık ürüne doğru şekilde takılmalıdır. Kuşam askılık çalışmayı güvenli hale getirir ve operatörün veya diğer kişilerin yaralanmasını önler.

- Bakım ve diğer kontrolleri gerçekleştirmeden veya ürünü monte etmeden önce aküyü çıkarın.
- Operatör, yalnızca kullanım kılavuzunda gösterilen bakım ve servis işlemlerini uygulamalıdır. Daha geniş çaplı bakım ve servis için servis bayinizle iletişime geçin.
- Aküyü veya akü şarj cihazını suyla temizlemeyin. Güçlü deterjanlar plastiğe zarar verebilir.
- Bakım yapmamanız ürünün kullanım ömrünü azaltır ve kaza riskini artırır.
- Ürünün güvenlik araçları başta olmak üzere tüm servis ve onarım işlemleri için özel eğitim gerekir. Bakım yaptıktan sonra bu kullanım kılavuzundaki tüm kontroller onaylanmazsa servis bayinizle iletişime geçin. Ürününüz için profesyonel onarım ve servis hizmetinin mevcut olduğunu garanti ederiz.
- Sadece orijinal yedek parça kullanın.
- Kesme donanımını onarıırken her zaman ağır hizmet tipi eldiven giyin. Bıçaklar çok keskindir ve kolaylıkla yaralanmalara neden olabilir.

## Bakım için güvenlik talimatları



**UYARI:** Ürün üzerinde bakım yapmadan önce aşağıdaki uyarı talimatlarını okuyun.

## Montaj

### Yarım daire şeklindeki tutamağı monte etme

1. Yarım daire şeklindeki tutma yerini milin üzerinde okların arasına takın. Etiket üzerine yarım daire şeklinde tutamak veya süspansiyon halkası yerleştirmeyin. (Şek. 27)
2. Ara parçayı yarım daire şeklindeki tutma yerinde bulunan yuvaya takın.
3. Somunu, düğmeyi ve vidayı takın; hafifçe sıkıştırın.
4. Ürünü rahat bir kullanım pozisyonuna ayarlayın.
5. Cıvatayı sıkın.

### Kesme donanımını monte etme

Kesme donanımı bir kesme donanımını ve kesme donanımı siperliğini içerir.



**UYARI:** Koruyucu eldivenler kullanın.



**UYARI:** Daima kesme donanımı için önerilen kesme donanımı siperliğini kullanın. Bkz. *Teknik veriler sayfa: 415*.



**UYARI:** Yanlış takılmış bir kesme donanımı yaralanmaya, hatta ölüme neden olabilir.

### Kesme ataşmanı siperliğini takma

1. Kesme ataşmanı siperliğini (A) levha tutucudaki (B) kancaya takın. (Şek. 28)
2. Kesme ataşmanı siperliğini mile takın ve cıvata (C) ile sıkın.

### Kesme ataşmanı siperliğini çıkarma

- Cıvata (C) gevşetin ve kesme ataşmanı siperliğini (A) milden çıkarın. (Şek. 29)

## Budama kafalarının montajı



**UYARI:** Kesme ataşmanını takarken tahrik diskini/destek flanşının yükseltilmiş kısmının, kesme ataşmanının orta deliğine doğru şekilde yerleştirilmesi çok önemlidir. Kesme ataşmanı yanlış bir şekilde takılırsa ciddi ve/veya ölümcül yaralanmaya neden olabilir.



**UYARI:** Kesme ataşmanını onaylanmış bir siperlik olmadan asla kullanmayın. Bkz. *Aksesuarlar sayfa: 416*. Hatalı veya arızalı

bir siperlik takılması ciddi yaralanmaya neden olabilir.

### Misina kafanın takılması

1. Çalıştırma diskini (B) çıkış milinin üzerine yerleştirin.
2. Çalıştırma diskindeki deliklerden birisi dişli kovanındaki ilgili delikle hizalanıncaya kadar çıkış milini döndürün.
3. Kilit pimini (C) deliğe geçirerek mili kilitleyin.
4. Misina kafayı (H) tutturmak için saat yönünün tersine döndürün. (Şek. 30)

### Misina kafanın çıkarılması

1. Kilit pimini (C) deliğe geçirerek mili kilitleyin.
2. Misina kafayı (H) çıkarmak için saat yönünde çevirin.
3. Çalıştırma diskini (B) çıkış milinden çıkarın. (Şek. 30)

## Çalışma

### Giriş



**UYARI:** Ürünü kullanmadan önce güvenlik bölümünü okuyup anlayın.

### Aküyü ürüne bağlama



**UYARI:** Üründe yalnızca Husqvarna orijinal akülerini kullanın.

1. Akünün tamamen şarj olduğundan emin olun.
2. Aküyü, ürünün akü tutucusuna yerleştirin. Akü yerine kilitletiğinde bir tıklama duyarsınız. (Şek. 31)



**DİKKAT:** Akü, akü yuvasına rahatça geçmiyorsa akü doğru şekilde takılmamış demektir. Bu, üründe hasara neden olabilir.

3. Akünün doğru şekilde takıldığından emin olun.

### Çalıştırma pozisyonu

- Ürünü 2 elinizle tutun.
- Ürünü vücudunuzun sağ tarafında tutun.
- Kesme donanımını bel seviyenizin altında tutun.
- Uzuvarlarınızı sıcak yüzeylerden uzak tutun.
- Uzuvarlarınızı kesme donanımından uzak tutun.

### Ürünü çalıştırmadan önce

- Araziyi tanımak, zeminin eğimini öğrenmek ve taş, dal veya çukur gibi engeller olup olmadığını anlamak için çalışma alanını inceleyin.
- Ürünü genel olarak gözden geçirin.

- Bu kılavuzda belirtilen güvenlik kontrollerini, bakımı ve servisi yapın.
- Kesme ekipmanındaki tüm kapakların, siperliklerin ve tutma yerlerinin doğru şekilde takıldığından ve hasarsız olduğundan emin olun.
- Destek flanşlarında çatlak olup olmadığına bakın. Hasarlıysa destek flanşını değiştirin.

(Şek. 32)

- Budama kafasında ve kesim ataşmanı siperliğinde hasar veya çatlak olup olmadığına bakın. Budama kafası ve kesim ataşmanı darbe almışsa veya çatlaksa bunları değiştirin.

(Şek. 33)

### Ürünü çalıştırma

1. Yeşil LED yanana kadar çalıştırma düğmesini basılı tutun. (Şek. 34)
2. Hızı kontrol etmek için güç tetiğini kullanın.

### Maksimum hızı mod düğmesiyle sınırlama

Üründe mod düğmesi bulunur. Operatör, mod düğmesiyle maksimum hızı sınırlayabilir. Mod düğmesinin 3 hız seviyesi vardır. Düşük seviyeler, ürünün çalışma süresini artırır. Çalışma tam hız/tam güç gerektirmiyorsa seviye 1 ve seviye 2'yi kullanın. Çalışma koşulu tam hız/tam güç gerektiriyorsa seviye 3'ü kullanın. Çalışma için gerekenden daha yüksek bir seviye kullanmayın.

1. Maksimum hıza bir limit ayarlamak için mod düğmesine basın. Beyaz LED'ler yanarak işlevin açıldığını gösterir. (Şek. 35)
2. Sonraki hız düzeyini seçmek için mod düğmesine tekrar basın.

## Otomatik kapatma işlevi

Üründe, kullanılmadığında ürünü devre dışı bırakan bir kapatma işlevi vardır.

## Misina kafayı kullanarak çimin biçilmesi

### Çim budama

1. Misina kafayı zemin yüzeyinin hemen üstünde, açılı bir şekilde tutun. (Şek. 36) Çim budayıcı misinasını çime bastırmayın.
2. Nesnelerin yakınında çim keserken %80 oranında hız kullanın. (Şek. 37)

### Çim kesme

1. Çim keserken çim misinasının zemine paralel olduğundan emin olun. (Şek. 38)
2. Budama kafasını zemine bastırmayın. Zemin ve ürün zarar görebilir.
3. Budama kafasının zemine sürekli olarak değmesine izin vermeyin; bu, budama kafasına zarar verebilir.
4. Ürünü bir yandan bir yana hareket ettirerek çim keserken tam hız kullanın. (Şek. 39) Misinanın zemine paralel olduğundan emin olun.

## Çimi temizleme

Dönen biçici ipinden gelen hava akışı kesilen çimi bölgeden kaldırmak için kullanılabilir.

1. Misina kafayı ve ipini yere paralel ve yerden yukarıda tutun.
2. Tam hız uygulayın.
3. Misina kafayı yanlamasına hareket ettirerek çimi süpürün.



**UYARI:** Her yeni biçici ipi taktığınızda, dengenin bozulmasını ve kollarda titreşimi önlemek için misina kafa kapağını temizleyin. Ayrıca misina kafanın diğer taraflarını da kontrol edip gerekirse temizleyin.

## Ürünü durdurma

1. Güç tetiğini veya güç tetiği kilidini serbest bırakın.
2. Durdurma düğmesine basın. (Şek. 34)
3. Aküdeki çıkarma düğmelerine basın ve aküyü çıkarın. (Şek. 40)

## Bakım

### Giriş



**UYARI:** Herhangi bir bakım işlemi yapmadan önce güvenlik bölümünü okuyup anlamalısınız.

### Bakım takvimi



**UYARI:** Bakım yapmadan önce aküyü çıkarın.

Ürün üzerinde yapmanız gereken bakım adımları aşağıda listelenmiştir.

Bakım	Günlük	Haftalık	Aylık
Ürünün dış parçalarını kuru bir bezle temizleyin. Su kullanmayın.	X		
Çalıştırma ve durdurma düğmesinin düzgün çalıştığından ve hasarlı olmadığından emin olun.	X		
Güç tetiğinin ve güç tetiği kilidinin güvenlik açısından doğru çalıştığından emin olun.	X		
Tüm kontrollerin çalıştığından ve zarar görmediğinden emin olun.	X		
Tutma yerlerini kuru, temiz, gres ve yağdan arındırılmış halde tutun.	X		
Kesme ataşmanının zarar görmemiş olduğundan emin olun. Zarar görmesi durumunda kesme ataşmanını değiştirin.	X		
Kesme ataşmanı siperliğinin veya bıçağının hasarlı olmadığından emin olun. Hasarlıysa kesme ataşmanı siperliğini veya bıçağını değiştirin.	X		
Vida ve somunların sıkı olduğundan emin olun.	X		
Aküdeki serbest bırakma düğmelerinin çalıştığından ve aküyü ürüne sabitlediğinden emin olun.	X		

Bakım	Günlük	Haftalık	Aylık
Akünün zarar görmemiş olduğundan emin olun.	X		
Akünün şarj edilmiş olduğundan emin olun.	X		
Akü şarj cihazının hasarlı olmadığından ve doğru şekilde çalıştığından emin olun.	X		
Tüm kabloları, kaplinleri ve bağlantıları kontrol edin. Bunların zarar görmediğinden ve kirden arındırılmış olduğundan emin olun.		X	
Ayna dişlinin, doğru şekilde gresle doldurulduğundan emin olun, bkz. <i>Ayna dişliyi yağlama sayfa: 414</i> . Değilse Husqvarna ayna dişli gresi kullanın.		X	
Akü ile ürün arasındaki bağlantıları kontrol edin. Akü ile akü şarj cihazı arasındaki bağlantıyı kontrol edin.			X

## Ürünü, aküyü ve akü şarj cihazını temizleme

1. Kullandıktan sonra ürünü kuru bir bezle temizleyin.
2. Aküyü ve akü şarj cihazını kuru bir bezle temizleyin. PİL KILAVUZ raylarını temiz tutun.
3. Aküyü, akü şarj cihazına veya ürüne yerleştirmeden önce akü ve akü şarj cihazının terminallerinin temiz olduğundan emin olun.

## Ayna dişliyi yağlama

1. Kesme ekipmanını çıkarın.
2. Ürünü, gres tapası en yüksek konumda olacak şekilde yerleştirin.

3. Gres tapasını çıkarın. (Şek. 41)
4. Gres tapası deliğinden içeri bakın ve tahrik milini döndürün. Gres seviyesi (A), dişlilerin dişlerinin (B) üst kısmıyla aynı hizada olmalıdır. (Şek. 42)
5. Gres seviyesi çok düşükse ayna dişliyi, Husqvarna ayna dişli gresi ile doldurun. Yavaşça doldurun ve ayna dişli gresini uygularken tahrik milini döndürün; doğru seviyede durun (B).



**DİKKAT:** Yanlış gres miktarı, ayna dişlinin zarar görmesine neden olabilir.

6. Gres tapasını takın.

## Sorun giderme

### Kullanıcı arayüzü

Sorun	Olası arızalar	Olası işlem
Akü LED göstergesi turuncu renkte yanıp sönüyor	Düşük akü voltajı.	Aküyü şarj edin.
Hata LED'i kırmızı renkte yanıp sönüyor	Aşırı yük.	Kesme ataşmanı sıkışmıştır. Ürünü durdurun. Aküyü çıkarın. Kesme ataşmanını istenmeyen malzemelerden temizleyin.
	Sıcaklık değişimi.	Ürünün soğumasını bekleyin.
	Güç tetiği ve etkinleştirme düğmesine aynı anda basılmıştır.	Güç tetiğini bıraktığınızda ürün etkinleşir.
Ürün çalışmıyor	Akü konektörlerinde kir var.	Basınçlı hava veya yumuşak bir fırça ile akü konektörlerini temizleyin.
Hata LED'i kırmızı renkte yanıyor	Ürünün servise ihtiyacı vardır.	Servis noktanızla iletişime geçin.

# Taşıma, depolama ve atma

## Taşıma ve saklama

- Ürün ile birlikte verilen Lityum iyon aküler, Tehlikeli Maddeler Yönetmeliklerinin gereksinimlerini karşılamaktadır.
- Üçüncü taraflar ve aracı nakliye şirketleri de dahil olmak üzere, ticari amaçlı taşıma işlemlerinde ambalaj ve etiketler üzerindeki özel gereksinimlere uyun.
- Ürünü göndermeden önce tehlikeli maddeler konusunda özel eğitim almış bir kişiyle görüşün. Yürürlükteki tüm ulusal yönetmeliklere uyun.
- Aküyü bir ambalaja yerleştireceğiniz zaman açık kontakları bantlayın. Aküyü ambalaj içine hareket etmesini engelleyecek şekilde yerleştirin.
- Saklama veya taşıma için aküyü çıkarın.
- Aküyü ve akü şarj cihazını nem ve don olmayan kuru bir yerde saklayın.
- Aküyü statik elektriğin oluşabileceği yerlerde saklamayın. Aküyü metal bir kutuda tutmayın.
- Aküyü, sıcaklığı 5°C/41°F ile 25°C/77°F arasında olan ve doğrudan güneş ışığı almayan bir yerde tutun.
- Akü şarj cihazını, sıcaklığı 5°C/41°F ile 45°C/113°F arasında olan ve doğrudan güneş ışığı almayan bir yerde tutun.
- Akü şarj cihazını yalnızca ortam sıcaklığı 5°C/41°F ile 40°C/104°F arasındayken kullanın.

- Uzun süreli depolamadan önce aküyü %30-%50 arasındaki bir seviyeye kadar şarj edin.
- Akü şarj cihazını, kapalı ve kuru bir alanda saklayın.
- Depolama sırasında aküyü akü şarj cihazından uzakta tutun. Çocukların ve diğer izinsiz kişilerin ekipmana dokunmasına izin vermeyin. Ekipmanı kilitleyebileceğiniz bir yerde tutun.
- Uzun süreli depolamadan önce ürünü temizleyin ve ürüne eksiksiz bir bakım yapın.
- Taşıma ve depolama sırasında ürünün hasar görmesini engellemek için taşıma koruyucusunu kullanın.
- Taşıma sırasında ürünü güvenli bir şekilde sabitleyin.

## Akü, akü şarj cihazı ve ürünü atma

Ürün veya ürün ambalajı üzerinde bulunan semboller, bu ürünün evsel atık olmadığını belirtir. Ürünü, elektrikli ve elektronik ekipmanlar için bir geri dönüşüm istasyonunda geri dönüştürün. Bu, çevrenin ve insanların zarar görmemesine yardımcı olur.

Ürününüzü geri dönüştürme hakkında daha fazla bilgi için yerel yetkililer, evsel atık hizmeti veya bayiniz ile görüşün.

## Teknik veriler

### Teknik veriler

	325iL
<b>Motor</b>	
Motor tipi	BLDC (fırçasız) 36 V
Çıkış milinin devri, 1/dak	5800
Kesim genişliği, mm	420
<b>Ağırlık</b>	
Akü ve kesme ataşmanı olmadan ağırlık, kg	3,0
<b>Gürültü emisyonu</b> <sup>79</sup>	
Ses gücü düzeyi, ölçülmüş dB (A)	93

<sup>79</sup> 2000/14/AT sayılı AT direktifi uyarınca ses gücü (LWA) olarak çevrede ölçülen gürültü emisyonu düzeyi. Makine için bildirilen ses gücü düzeyi, en yüksek düzeyi veren orijinal kesme ataşmanıya ölçülmüştür. Garanti edilen ve ölçülen ses gücü arasındaki fark, garantili ses gücünün 2000/14/AT Sayılı Direktif doğrultusunda ölçüm sonucundaki dağılımı ve aynı modelden farklı makineler arasındaki değişimleri de içermesidir.

	<b>325iL</b>
Ses gücü düzeyi, garantili L <sub>W</sub> dB (A)	96
<b>Gürültü düzeyleri</b> <sup>80</sup>	
ISO 22868 uyarınca ölçülen operatörün kulağındaki eş değer ses basıncı düzeyi, dB(A):	
Budama kafasıyla (orijinal) donatılmış	84
<b>Titreşim düzeyleri</b> <sup>81</sup>	
ISO 22867'ye göre ölçülen tutma yerlerindeki titreşim düzeyleri, m/sn <sup>2</sup>	
Budama kafası (orijinal) takılı, Ön/Arka, m/sn <sup>2</sup>	4,3/2,9

## Onaylı aküler

<b>Akü</b>	<b>BLi 200</b>
Tip	Lityum iyon
Akü kapasitesi, Ah	5,2
Nominal voltaj, V	36
Ağırlık, kg (lb)	1,3 (2,9)

## Onaylı akü şarj cihazları

<b>Akü şarj cihazı</b>	<b>QC330</b>
Giriş voltajı, V	100-240
Frekans, Hz	50-60
Güç, W	330

## Aksesuarlar

### Aksesuarlar

Onaylı aksesuarlar	Aksesuar tipi	Kesme ataşmanı siperliği, ürün no.
Bıçakların orta deliği, Ø 25,4 mm		

<sup>80</sup> Makinenin ses basıncı düzeyi için bildirilen verilerdeki tipik istatistik dağılımı (standart sapma) 3 dB (A) şeklindedir ve en yüksek düzeyi veren orijinal ataşmanla ölçülmüştür.

<sup>81</sup> Titreşim düzeyi için bildirilen verilerin tipik istatistik dağılımı (standart sapması) 2 m/sn<sup>2</sup> şeklindedir. Akü ve yakıtla çalışan ürünlerin titreşim seviyelerini karşılaştırmak için titreşim hesaplayıcıyı kullanın. <https://www.husqvarna.com/uk/services-solutions/vibration-calculator/>.



<b>Onaylı aksesuarlar</b>	<b>Aksesuar tipi</b>	<b>Kesme ataşmanı sipirliđi, ürün no.</b>
Çıkış mili diři M10		
Budama kafası	T35 (Whisper spiral misina, maksimum Ø 2,4 mm)	597 01 62-02

# Uyumluluk Bildirimi

## AB Uyumluluk Bildirimi

Biz, **Husqvarna AB**, SE-561 82 Huskvarna, İsveç, tel: +46-36-146500 olarak tek sorumlu vasfıyla ürüne ilişkin aşağıdaki beyanlarda bulunmaktayız:

<b>Açıklama</b>	Akülü çim budayıcı
<b>Marka</b>	Husqvarna
<b>Tip/Model</b>	325iL
<b>Kimlik</b>	2023 ve sonrası tarihli seri numaraları

aşağıdaki AB direktifleri ve yönetmelikleriyle tamamen uyumludur:

<b>Direktif/Yönetmelik</b>	<b>Açıklama</b>
2006/42/AT	"makinelele ilgili"
2014/30/EMC	"elektromanyetik uyumlulukla ilgili"
2011/65/AB	"tehlikeli maddelerin kısıtlanmasıyla ilgili"
2000/14/AT	"açık alanda gürültüyle ilgili"

ve aşağıdaki standartlar ve/veya teknik özellikler uygulanmıştır: EN 62841-1:2015/AC:2015, EN 62841-4-4 (IEC 62841-4-4:2020), EN 61000-6-1:2007 (Immunity), EN 61000-6-3:2007/A1:2011/AC:2012 (Emission).

RISE SMP Svensk Maskinprovning AB, Box 4053, SE-904 03 Umeå, Sweden, 2006/42/AT ek IX uyarınca gönüllü tip incelemesi gerçekleştirmiştir. Sertifika No: SEC/23/2579.

Notified body: 0404, RISE SMP Svensk Maskinprovning AB, Box 4053, SE-904 03 Umeå, Sweden, 2000/14/AT konsey direktifinin VI. ekiyle uyumluluğu da doğrulamıştır.

Gürültü emisyonları ile ilgili bilgi için bkz. *Teknik veriler sayfa: 415*.

Huskvarna, 2022-12-01

Stefan Holmberg, AR-GE Direktörü, Teknoloji Yönetimi, Husqvarna AB

Teknik dokümantasyon sorumlusu

Türk ithalat şirketi daha fazla bilgi için temas edilecek:  
Çullas Orman Bahçe ve Tarım Mak. San. Tic. A.Ş.  
Suadiye Mh. Bağdat Cd. No:455/4  
Kadıköy – 34740 İstanbul / Türkiye  
Telefon: +90 216 519 88 82  
Faks: +90 216 519 88 78  
info@cullas.com.tr



---

## Зміст

---

Вступ.....	419	Транспортування, зберігання й утилізація.....	431
Безпека.....	420	Технічні характеристики.....	432
Збирання.....	427	Акcesуари.....	433
Експлуатація.....	428	Декларація відповідності.....	434
ТЕХНІЧНЕ ОБСЛУГОВУВАННЯ.....	429	Додаток .....	447
Усунення несправностей.....	431		

---

## Вступ

---

### Опис виробу

Husqvarna 325iL – акумуляторний тример для трави з електричним двигуном.

Ми постійно працюємо над підвищенням вашої безпеки й ефективності роботи. По додаткову інформацію звертайтеся до свого сервісного дилера.

### Призначення

Для зрізання різних типів рослинності використовуйте виріб разом із головкою тримера.

### Огляд виробу

(Мал. 1)

1. Посібник користувача
2. Зубчаста передача
3. Отвір для стопорного штифта
4. Головка тримера
5. Захисний кожух різальної насадки
6. Приводний диск
7. Комбінований гайковий ключ
8. Петельний тримач
9. Фіксувальна головка
10. Вал
11. Стопорний штифт
12. Світлодіодний попереджувальний індикатор
13. Кнопка Start/stop
14. Кнопка режиму швидкості
15. Фіксатор механічного пускового пристрою
16. Інтерфейс користувача
17. Механічний пусковий пристрій
18. Шнур зарядного пристрою
19. Зарядний пристрій
20. Світлодіодні індикатори живлення й попередження
21. Кнопки для виймання акумуляторної батареї
22. Акумулятор
23. Світлодіодний індикатор рівня заряду
24. Світлодіодний індикатор попереджень
25. Кнопка індикатора стану акумулятора

Заборонено використовувати виріб для інших завдань, крім підстригання й скошування трави.

**Зверніть увагу:** Дотримуйтесь вимог державних чи місцевих норм, що стосуються поводження з пристроєм.

Використовуйте виріб лише із сертифікованими виробником акcesуарами. Див. *Акcesуари на сторінці 433*.

### Символи на виробі

(Мал. 2)

**ПОПЕРЕДЖЕННЯ!** Виріб може становити небезпеку! Недбале чи неправильне використання може спричинити серйозне або смертельне поранення користувача чи інших осіб. Дуже важливо прочитати Посібник користувача й зрозуміти його зміст. Перед початком експлуатації виробу уважно прочитайте Посібник користувача й переконайтеся, що ви зрозуміли наведені в ньому вказівки.

(Мал. 3)

Користуйтеся відповідними захисними навушниками. Користуйтеся відповідними засобами захисту очей.

(Мал. 4)

Максимальна частота обертання або частота обертання без навантаження.

XXXX /хв  
або хв<sup>-1</sup>

Кількість обертів або зворотно-поступальних рухів за хвилину.

(Мал. 5)

Номінальна напруга, В

(Мал. 6)

Постійний струм.

(Мал. 7)

Виріб відповідає належним вимогам директив ЄС.

- (Мал. 8) Цей виріб відповідає вимогам застосованих норм Сполученого Королівства.
- (Мал. 9) Використовуйте відповідні захисні рукавиці.
- (Мал. 10) Використовуйте міцні чоботи, що не ковзають.
- (Мал. 11) Використовуйте лише неметалеві гнучкі різальні насадки.
- (Мал. 12) Символи на виробі або його упаковці вказують на те, що його не слід утилізувати разом із побутовими відходами. Утилізацію цього інструмента слід здійснювати на спеціалізованому підприємстві.
- (Мал. 13) Під час роботи з насадкою предмети можуть відскакувати. За відсутності
- (Мал. 14) Перш ніж проводити технічне обслуговування, від'єднайте акумулятор.
- (Мал. 15) Цей виріб захищено від бризок.
- (Мал. 16) Не працюйте поблизу гарячих поверхонь.
- (Мал. 17) Етикетка з інформацією щодо шумових викидів у навколишнє середовище відповідно до вимог директив і нормативних актів ЄС і Сполученого Королівства та Закону про збереження навколишнього середовища (контроль шуму) 2017 р. Нового Південного Уельсу. Гарантований рівень звукової потужності виробу вказано в розділі *Технічні характеристики на сторінці 432.*

ууууwwxxxx

На таблиці з паспортними даними вказано серійний номер, де **уууу** – це рік виготовлення, **ww** – тиждень виготовлення, а **xxxx** – порядковий номер.

(Мал. 18)

Оператор має подбати, щоб у радіусі 15 м навколо нього не було людей і тварин. Якщо в одному місці працюють кілька операторів, вони мають перебувати на відстані не менше 15 м один від одного.

**Зверніть увагу:** Інші позначення на виробі відповідають вимогам спеціальних сертифікатів для інших торгових зон.

## Пошкодження виробу

Ми не несемо відповідальності за пошкодження, якщо:

- виріб було неправильно відремонтовано;
- виріб було відремонтовано із використанням деталей, виготовлених не виробником або не затверджених ним;
- виріб обладнано аксесуаром, виготовленим не виробником або не затвердженим ним;
- виріб було відремонтовано в неавторизованому сервісному центрі або неавторизованою компанією;

## Безпека

### Визначення щодо безпеки

Попередження, застереження й примітки служать для наголошення на особливо важливих положеннях посібника.



**ПОПЕРЕДЖЕННЯ:** Вказує на те, що в разі порушення інструкцій, наведених у цьому посібнику, існує небезпека поранення або смерті оператора чи інших осіб, що знаходяться поруч.



**УВАГА:** Вказує на те, що в разі порушення інструкцій, наведених у цьому посібнику, існує небезпека пошкодження

виробу, інших матеріалів або навколишніх об'єктів.

**Зверніть увагу:** Використовується для надання додаткової інформації щодо певної ситуації.

### Загальні правила безпеки при роботі з електрінструментами



**ПОПЕРЕДЖЕННЯ:** Ознайомтеся з усіма попередженнями щодо техніки безпеки, інструкціями, рисунками й технічними характеристиками до цього виробу. Недотримання наведених далі

інструкцій може призвести до враження електричним струмом, пожежі та / або серйозних травм.

Використання ПЗВ знижує ризик ураження електричним струмом.

- **Збережіть усі попереджувальні знаки й інструкції для звернення до них у майбутньому.** Терміном «електроінструмент» у попередженнях позначається ваш електроінструмент, який працює від електромережі (з кабелем), або акумуляторний (безпроводний) електроінструмент.

## Безпека в робочій зоні

- **Забезпечуйте порядок та добре освітлення в робочій зоні.** Безлад і погане освітлення сприяють нещасним випадкам.
- **Не використовуйте електроінструмент у вибухонебезпечному середовищі, наприклад, у присутності вогненебезпечних рідин, газів або пилу.** Електроінструменти утворюють іскри, які можуть запалити пил або випари.
- **Не підпускайте до себе дітей та сторонніх осіб, коли працюєте з електроінструментом.** Ви можете відволіктися та втратити контроль.

## Електробезпека

- **Вилки інструментів повинні підходити до розетки.** У жодному разі не змінюйте вилку будь-яким чином. Під час роботи із заземленими електроінструментами не використовуйте будь-які перехідники. Незмінені вилки та відповідні розетки зменшують ризик враження електричним струмом.
- **Уникайте тілесного контакту із заземленими поверхнями, такими як труби, радіатори, кухонні плити та холодильники.** Існує підвищений ризик враження електричними струмом, якщо ваше тіло заземлене.
- **Захищайте інструмент від дощу та вологи.** Потрапляння води в інструмент збільшує загрозу ураження електричним струмом.
- **Використовуйте кабель лише за призначенням.** Ніколи не використовуйте кабель для перенесення чи перетягування предметів і не тягніть за нього, щоб виїняти вилку з розетки. Тримайте кабель подалі від джерела тепла, мастила, гострих країв або рухомих деталей. Пошкоджений чи заплутаний кабель збільшує ризик враження електричним струмом.
- **Під час експлуатації електроінструмента надворі використовуйте подовжувальний кабель, що підходить для застосування надворі.** Використання кабелю, який підходить для застосування надворі, зменшує ризик враження електричним струмом.
- **Якщо застосування електроінструменту у вологому середовищі є обов'язковим, використовуйте джерело живлення, обладнане пристроєм захисного відключення (ПЗВ).**

## Особиста безпека

- **Будьте пильними, слідкуйте за тим, що робите та дотримуйтеся правил здорового глузду під час експлуатації електроінструмента.** Не використовуйте електроінструмент, коли ви стомлені або перебуваєте під впливом наркотиків, алкоголю або лікарських засобів. Втрата уваги на мить під час експлуатації електроінструмента може призвести до серйозної травми.
- **Використовуйте засоби індивідуального захисту.** Обов'язково необхідно користуватися засобами захисту для очей. Захисне спорядження, наприклад респіратор, черевики з нековзною підошвою, каска або захисні навушники за використання у відповідних умовах зменшують ризик травмування.
- **Запобігайте випадковому запуску.** Переконайтеся, що вимикач перебуває у вимкненому положенні, перш ніж підключати інструмент до джерела живлення й/або акумуляторного блоку, піднімати або переносити його. Не переносьте електроінструменти, тримаючи палець на вимикачі, і не пускайте напругу на електроінструменти, які увімкнено. Це може призвести до нещасних випадків.
- **Перед вмиканням інструмента приберіть будь-які регульовані або гайкові ключі.** Якщо залишити на обертальній частині гайковий ключ або гайковий вороток, це може призвести до травм.
- **Не прикладайте дуже великих зусиль.** Завжди стійте твердо на ногах, підтримуйте баланс. Це дозволить краще контролювати електроінструмент у несподіваних ситуаціях.
- **Одягайтеся правильно.** Не вдягайте просторий широкий одяг, не надягайте на себе ювелірні вироби. Тримайте волосся й одяг подалі від рухомих частин. Просторий широкий одяг, ювелірні вироби або довге волосся можуть потрапити в рухомі деталі.
- **У разі наявності обладнання з видалення й збору пилу переконайтеся в тому, що воно під'єднано та використовується правильно.** Використання обладнання для збору пилу зменшує ризики, поєднані з пилом.
- **Досвід роботи, отриманий під час регулярного використання цього інструмента, не має бути підставою для самовпевненості під час експлуатації виробу й ігнорування правил техніки безпеки.** Необережні дії можуть миттєво призвести до тяжких травм.

## Експлуатація та догляд за електроінструментом

- **Не прикладайте силу до електроінструмента.** Вибирайте електроінструмент, що підходить для ваших потреб. Електроінструмент краще,

безпечніше та швидше виконає ту роботу, для якої він призначений.

- **Не використовуйте електроінструмент, якщо вимикач не працює.** Будь-який електроінструмент, яким неможливо керувати за допомогою вимикача, є небезпечним та підлягає ремонту.
- **Перед тим як виконувати будь-які налаштування, замінювати приладдя або залишати інструмент на зберігання, витягніть штекер із розетки живлення й / або знімний акумуляторний блок з електроінструмента.** Такі запобіжні заходи зменшують ризик ненавмисного запуску електроінструмента.
- **Вимкнені електроінструменти зберігайте в недоступному для дітей місці й не дозволяйте користуватися ними особам, які не ознайомилися з роботою електроінструмента або з цією інструкцією.** Електричні інструменти становлять небезпеку в руках невідготовлених користувачів.
- **Виконуйте технічне обслуговування електроінструментів і приладдя. Перевіряйте електроінструмент на предмет зміщення чи вигину рухомих деталей, поломок деталей та будь-якого іншого стану, що може негативно позначитися на його роботі.** У разі пошкодження відремонтуйте електроінструмент, перш ніж користуватися ним. Багато нещасних випадків виникають внаслідок недостатнього технічного обслуговування електричних інструментів.
- **Підтримуйте різальні елементи в нагостреному та чистому стані.** Різальні елементи, що добре обслуговуються та мають гострі різальні кромки, будуть легше керуватися та з меншою імовірністю будуть заклинати.
- **Використовуйте електроінструмент, приладдя та різці у відповідності з цією інструкцією, враховуючи умови та характер роботи, яку потрібно виконати.** Використання електроінструмента для виконання непередбачених операцій може призвести до небезпечної ситуації.
- **Рукоятки та поверхні для тримання мають бути сухими, чистими й знежиреними.** Неможливо надійно тримати інструмент за слизької рукоятки чи інші поверхні або керувати ним у непередбачених ситуаціях.

## Використання інструментів з акумуляторною батареєю та догляд за ними

- **Заряджати акумулятор треба виключно за допомогою заряджального пристрою, зазначеного виробником.** Використання заряджального пристрою, призначеного для роботи з акумуляторами одного типу, з акумуляторами іншого типу може призвести до пожежі.
- **Використовуйте електроінструмент лише з призначеними для нього батареями.**

Використання акумуляторних батарей інших типів може призвести до травмування чи пожежі.

- **Якщо акумуляторний блок не використовується, слід тримати його подалі від металевих предметів, таких як скріпки, монети, ключі, цвяхи, гвинти й інші дрібні металеві предмети, які можуть з'єднати один контакт батареї з іншим.** Замикання контактів акумулятора може призвести до опіків або пожежі.
- **У разі неправильного застосування з акумулятора може випліскуватися рідина; уникайте контакту з нею.** При випадковому контакті промийте місце контакту водою. В разі потраплення рідини в очі на додаток до їхнього інтенсивного промивання зверніться по медичну допомогу. Рідина з акумуляторної батареї може викликати подразнення та опіки.
- **Не використовуйте пошкоджені чи змінений акумуляторний блок або інструмент.** Пошкоджені або модифіковані акумулятори працюють нестабільно: вони можуть зайнятися, вибухнути або іншим чином травмувати оператора.
- **Захищайте акумуляторний блок та інструмент від вогню й надмірних температур.** Під впливом вогню або температури понад 130 °C (266 °F) може статися вибух.
- **Дотримуйтеся всіх інструкцій із заряджання та не заряджайте акумуляторну батарею чи інструмент поза межами діапазону температур, зазначеного в інструкціях.** Неналежне заряджання за температури поза межами зазначеного діапазону може пошкодити акумулятор і підвищує ризик займання.

## Обслуговування

- **Сервісне обслуговування електроінструмента повинен виконувати кваліфікований майстер з використанням лише ідентичних запасних частин.** Це гарантуватиме підтримання безпечної роботи електроінструмента.
- **За жодних умов не виконуйте технічного обслуговування пошкоджених акумуляторних блоків.** Технічне обслуговування акумуляторних блоків мають виконувати лише спеціалісти виробника або вповноваженого постачальника послуг.

## Правила техніки безпеки під час роботи з тримером для трави, кущорізом і пилюкою для підрізання кущів

- **Не використовуйте інструмент за поганих погодних умов, особливо якщо існує ризик удару блискавки.** Недотримання цієї вимоги підвищує ризик ураження блискавкою.
- **Ретельно огляньте ділянку, де використовуватиметься інструмент, на наявність будь-якої живності.** Під час використання інструмента ви можете завдати шкоди тваринам.

- **Ретельно перевірте ділянку, де використовуватиметься інструмент, і приборіть каміння, палиці, проводи, кістки та інші сторонні предмети.** Предмети, що розлітаються, можуть спричинити тяжкі травми.
- **Перед використанням інструмента завжди перевіряйте фрезу або ніж і різальний пристрій на наявність пошкоджень.** Пошкоджені деталі підвищують ризик травмування.
- **Дотримуйтесь інструкцій щодо заміни аксесуарів.** Неправильно затягнуті гайки чи болти кріплення ножа можуть пошкодити ніж або призвести до його від'єднання.
- **Номинальна частота обертання фрези має щонайменше дорівнювати максимальній частоті обертання, зазначеній на інструменті.** Фреза, що обертається із частотою вищою за номінальну, може зруйнуватися й розлетітися.
- **Використовуйте засоби захисту очей, вух, голови та рук.** Належне захисне спорядження здатне зменшити вірогідність травмування сміттям, що відлітає, чи в разі випадкового контакту з різальною ниткою або ножем.
- **Працюйте з інструментом завжди в захисному взутті, що не ковзає. Не використовуйте виріб босоніж або у відкритих сандалях.** Таким чином ви знизите ризик травмування ніг унаслідок контакту з рухомою фрезою, ниткою або ножем.
- **Завжди працюйте з інструментом у довгих штанах.** Предмети, які відлітають, можуть пошкодити відкриті ділянки шкіри.
- **Не пускайте сторонніх осіб у робочу зону.** Сміття, що розлітається, може призвести до серйозних травм.
- **Під час роботи завжди тримайте інструмент обома руками.** Утримуйте інструмент обома руками, щоб не втратити контроль над ним.
- **Тримайте інструмент тільки за призначені для цього ізольовані поверхні, оскільки різальна нитка або ніж може торкатися прихованої проводки.** Різальна нитка або ніж, які торкаються кабелів під напругою, можуть проводити напругу до відкритих металевих деталей інструмента, що загрожує операторові ураженням струмом.
- **Завжди працюйте з інструментом у стійкому положенні, і лише стоячи на землі.** Стоячи на слизькій чи нестійкій поверхні, можна втратити рівновагу або контроль над інструментом.
- **Не використовуйте інструмент на надмірно крутих схилах.** Це зменшує ризик утрати керування, ковзання й падіння, які можуть призвести до травмування.
- **Під час роботи на схилах завжди впевнено стійте на ногах, косіть поперек схилів і ніколи не косіть угору або вниз та будьте надзвичайно обережними під час зміни напрямку.** Це зменшує ризик утрати керування, ковзання й падіння, які можуть призвести до травмування.
- **Під час роботи інструмента не наближайтесь до фрези, нитки або ножа. Перш ніж запускати інструмент, переконайтеся, що фреза, нитка або ніж ні до чого не торкаються.** Неуважність під час роботи з інструментом може призвести до травмування вас або оточуючих.
- **Під час використання інструмента не підіймайте його вище поясу.** Це допоможе уникнути небажаних контактів із фрезою або ножем і дасть змогу краще контролювати інструмент у непередбачених ситуаціях.
- **Під час пиляння зігнутих молодих гілок дерев і куців гілки можуть відскочити.** Коли зігнута гілка вивільняється під час різання, вона може відскочити й ударити оператора та/або штовхнути інструмент, через що можна втратити контроль над ним.
- **Будьте максимально обережні під час пиляння молодих гілок дерев і куців.** Тонкі гілки можуть заблокувати ніж, полетіти на оператора або порушити його рівновагу.
- **Зберігайте контроль над інструментом і не торкайтеся фрези, нитки, ножа та інших небезпечних рухомих частин, коли вони ще рухаються.** Це дасть змогу зменшити ризик травмування рухомими деталями.
- **Під час видалення застряглих обрізків або обслуговування пристрою всі вимикачі електроживлення повинні перебувати у вимкненому положенні, а кабель живлення має бути від'єднано.** Неочікуваний запуск інструмента під час видалення застряглих обрізків чи обслуговування може призвести до тяжких травм.
- **Носіть інструмент вимкненим і тримайте при цьому подалі від тіла.** Правильне поводження з інструментом зменшить ймовірність випадкового контакту з рухомою фрезою, ниткою або ножем.
- **Під час транспортування або зберігання інструмента завжди встановлюйте кожух на металеві ножі.** Належне поводження з інструментом зменшить ймовірність випадкового контакту з ножем.
- **Використовуйте лише запасні фрези, нитки, різальні головки та ножі, рекомендовані виробником.** Неправильні змінні деталі можуть збільшити ймовірність виникнення поломки та травмування.

## Додаткові загальні правила техніки безпеки

- Перш ніж перейти в інше місце, вимикайте виріб. Завжди виймайте акумулятор, якщо передаєте виріб іншій особі.
- Не кладіть виріб на землю, якщо ви не вимкнули його й не витягли з нього акумулятор. Не залишайте виріб без нагляду, якщо він увімкнений.
- Різальний інструмент не зупиняється одразу після вимкнення виробу.
- Перед початком використання виробу та після того, як він зазнав будь-якого удару, перевірте його на ознаки зношеності чи пошкодження та відремонтуйте за потреби.

- Якщо під час експлуатації виробу щось застрягне в різальній насадці, зупиніться й вимкніть живлення пристрою. Переконайтеся, що різальна насадка повністю зупинилася. Виймайте акумулятор перед очищенням, оглядом чи ремонтом виробу та/або різального обладнання.
- Перевірте виріб перед використанням. Дивіться розділ *Залобіжне обладнання на виробі на сторінці 425 і ТЕХНІЧНЕ ОБСЛУГОВУВАННЯ на сторінці 429*. Не користуйтеся пошкодженим виробом. Вживайте заходів техніки безпеки та дотримуйтеся вказівок із технічного обслуговування, наведених у цьому посібнику.
- Несправна різальна насадка може збільшувати ймовірність виникнення нещасних випадків.
- Перевірте редуктор на наявність забруднень та тріщин. Очистіть редуктор щіткою від трави й листя. За необхідності треба надягати рукавички.
- Не допускайте засмічення вентиляційних отворів.
- Упевніться, що головка тримера повністю під'єднана до тимера.
- До початку роботи потрібно встановити усі кришки, захисні кожухи та ручки.
- Переконайтеся, що виріб у справному стані. Переконайтеся, що гайки й гвинти затягнуто належним чином.
- Переконайтеся, що головка й захисний кожух тримера не мають тріщин і не пошкоджені. Замініть головку тримера й захисний кожух, якщо вони зазнали удару або мають тріщину. Завжди використовуйте кожух, що рекомендований для встановленої різальної насадки. Дивіться розділ *Аксесуари на сторінці 433*.
- У разі неправильного або недостатнього використання цей виріб може становити небезпеку. Він може спричинити серйозні травми або загибель оператора чи сторонніх осіб.
- Цей прилад не призначений для експлуатації особами з обмеженими фізичними, сенсорними або психічними можливостями або тими, які не мають досвіду та знань (у тому числі дітьми), хіба що вони користуються виробом під наглядом відповідальної за їхню безпеку особи або належним чином проінструктовані нею. Необхідно наглядати за дітьми, щоб вони не гралися з цим приладом.
- Ніколи не дозволяйте дітям використовувати інструмент чи знаходитися біля нього. Оскільки запустити пристрій досить просто, діти можуть це зробити, якщо залишити їх без нагляду. Це може означати ризик тяжкої травми. Тому слід від'єднувати елемент живлення, якщо пристрій перебуває без нагляду.
- Ніколи не дозволяйте дітям або невідготтованим людям використовувати виріб і/або акумулятор чи здійснювати його технічне обслуговування.
- Зберігайте обладнання в закритому місці, недоступному для дітей і сторонніх осіб.
- Завжди тримайте руки та ноги на відстані від зони різання, особливо під час вмикання двигуна.
- Тримайте руки й ноги на безпечній відстані від різальної насадки, доки вона повністю не зупиниться після вимкнення виробу.
- Заборонено прибирати зрізану траву самому або дозволяти роботи це іншим, коли виріб працює або різальне обладнання обертається, адже це може призвести до тяжких травм.
- Пам'ятайте, що саме ви, користувач, є відповідальним за те, щоб люди та їхнє майно не наражались на небезпеку та не страждали від нещасних випадків.
- За жодних обставин не змінюйте конструкцію виробу без дозволу виробника. Використовуйте лише оригінальні приладдя. Застосування незатверджених модифікацій та/або приладдя може призвести до серйозної чи смертельної травми користувача чи інших осіб. Гарантія на виріб не розповсюджується на пошкодження чи відповідальність через використання несертифікованих аксесуарів чи запчастин.
- Єдині приладдя, які дозволено використовувати під час роботи із цим виробом, – це різальні насадки, рекомендовані в розділі «Аксесуари». Дивіться розділ *Аксесуари на сторінці 433*.
- Заборонено користуватися виробом, якщо його конструкцію було якимось чином змінено
- Заборонено користуватися несправним виробом. Дотримуйтеся вимог із техніки безпеки та вказівок щодо технічного обслуговування, наведених у цьому посібнику. Деякі операції технічного обслуговування мають виконувати лише кваліфіковані фахівці. Дивіться розділ "Технічне обслуговування".
- Робота в несприятливих погодних умовах утомлює і часто створює додаткову небезпеку. Не рекомендовано використовувати виріб за складних погодних умов, наприклад у густий туман, під час зливи, сильного вітру чи холоду, коли є ризик ураження блискавкою тощо, адже це створює додаткову небезпеку
- Ніколи не працюйте на драбині, табуреті та в іншому піднятому положенні, яке не є достатньо надійним.
- Зберігайте прилади в приміщеннях – прилади, які не використовуються, мають зберігатися в приміщеннях.
- Неможливо передбачити в посібнику всі ситуації, які можуть виникнути під час використання пристрою. Завжди будьте обережні та керуйтеся здоровим глуздом. Уникайте завдань, які виходять за межі ваших можливостей. Якщо після ознайомлення з інструкціями у вас усе ще залишається сумнів щодо процедур використання інструмента, перед продовженням необхідно проконсультуватися зі знавцем.
- Подбайте, щоб під час роботи в радіусі 15 метрів навколо не було людей і тварин. Коли в одному місці працюють декілька користувачів, безпечна



відстань між ними має становити принаймні 15 метрів. Інакше існує ризик серйозного травмування. Якщо хтось підійде, негайно вимкніть пристрій. Ніколи не повертайте виріб, не перевіривши, чи не стоїть хтось за спиною.

- Переконайтеся, що люди, тварини чи будь-що інше не перешкоджатиме вам під час користування виробом і не постраждають від різальної насадки або предметів, які можуть відскочити від неї. Не користуйтеся виробом, якщо в разі нещасного випадку немає можливості покликати когось на допомогу.
- Переконайтеся, що ви можете безпечно стояти й рухатися. Перевірте, чи немає навколо можливих перешкод (коріння, каміння, гілок, ровів тощо) на випадок, якщо треба буде різко переміститися. Будьте дуже уважні, працюючи на схилах.
- Пересувайтесь повільно, ніколи не біжіть.
- Перевірте робочу зону. Приберіть усі незакріплені предмети на кшталт каміння, розбитого скла, цвяхів, сталевих дротів, мотузок тощо, які можуть відскочити чи намотатися на різальний інструмент чи його кожуш.
- Бережіться пнів і гілок, які можуть відлітати під час різання. Не косіть занадто близько до землі, якщо існує ризик відскакування каміння й інших предметів.
- Переконайтеся, що під час увімкнення виробу одяг або частини тіла не торкаються різальної насадки. Тримайте виріб нижче рівня талії.
- Остерігайтеся предметів, що відскакують. Завжди користуйтеся засобами захисту очей затвердженого зразка. Ніколи не нахиляйтеся над захисним кожухом різальної насадки. Каміння, сміття тощо може відскочити й потрапити в очі, спричинивши сліпоту чи тяжку травму.
- Працюючи в захисних навушниках, прислухайтеся до попереджувальних сигналів і окликів. Коли виріб зупиниться, одразу зніміть захисні навушники.
- Якщо виникають небажані вібрації, випустіть нову нитку, щоб скорегувати її довжину, після чого вібрації мають припинитися.
- Якщо виріб починає незвично вібрувати, необхідно зупинити його й виїняти акумулятор.
- У людей, які мають погіршений кровообіг, надмірна вібрація може пошкодити нервову систему або систему кровообігу. Якщо у вас проявляються симптоми надмірного впливу вібрації, зверніться до свого лікаря. До таких симптомів належать: оніміння, втрата чутливості, пощипування, поколювання, занепад сил, зміни кольору або стану шкіри. Зазвичай ці симптоми проявляються в пальцях, руках і зап'ястках.
- Завжди тримайте інструмент обома руками. Тримайте виріб праворуч.

## Засоби індивідуального захисту



**ПОПЕРЕДЖЕННЯ:** Перш ніж розпочати використання виробу, уважно прочитайте наведені нижче попередження.

- Під час роботи з виробом завжди використовуйте сертифіковані засоби індивідуального захисту. Засоби індивідуального захисту не можуть повністю усунути небезпеку травмування, але в разі нещасного випадку знизять ступінь тяжкості травми. Дозвольте дилеру допомогти вам із вибором підходящого обладнання.
- Надягайте захисний шолом у місцях, де є небезпека падіння предметів.
- Використовуйте сертифіковані захисні навушники, які захистять від зайвого шуму. Тривала робота за сильного шуму може призвести до погіршення слуху.
- Користуйтеся відповідними засобами захисту очей. У разі використання захисної маски необхідно додатково вдягати схвалені захисні окуляри. Схвалені захисні окуляри мають відповідати стандарту ANSI Z87.1 у США або EN 166 у країнах ЄС.
- Для захисту обличчя використовуйте маску. Для захисту очей маски недостатньо.

(Мал. 19)

- За потреби використовуйте рукавиці, наприклад якщо необхідно приєднати, оглянути або почистити різальне обладнання.
- Взувайте міцне взуття з нековзною підошвою.
- Використовуйте одяг, виготовлений із міцної тканини. Завжди використовуйте довгі штани з міцної тканини й сорочку з довгими рукавами. Уникайте надто просторого одягу, який може зачепитися за сучки або гілки. Не надягайте на час роботи прикраси, короткі штани, сандалії, а також не ходіть босоніж. Заколуйте волосся вище рівня плечей.

(Мал. 20)

- Тримайте під рукою аптечку.

(Мал. 21)

## Запобіжне обладнання на виробі



**ПОПЕРЕДЖЕННЯ:** Перш ніж розпочати використання виробу, уважно прочитайте наведені нижче попередження.

У цьому розділі описано засоби безпеки виробу, його призначення, а також порядок виконання перевірок і технічного обслуговування, необхідний для забезпечення його правильної роботи. Див. інструкції в розділі *Вступ на сторінці 419* щодо розташування цих деталей на виробі.

Термін служби виробу може зменшитись, а небезпека виникнення нещасних випадків збільшиться, якщо його технічне обслуговування виконується неправильно або якщо обслуговування та / або ремонт виконуються непрофесійно. Для отримання додаткової інформації зверніться до найближчого сервісного дилера.



**ПОПЕРЕДЖЕННЯ:** Не використовуйте виріб із пошкодженими елементами захисту. Захисне обладнання виробу потрібно перевіряти й здійснювати його технічне обслуговування згідно з указівками, поданими в цьому розділі. Якщо виріб не відповідає хоча б одній із вимог перевірки, зверніться до центру обслуговування для ремонту.



**УВАГА:** Щоб проводити обслуговування та роботи з ремонту, потрібно мати спеціальну підготовку. Це особливо стосується захисного обладнання інструмента. Якщо інструмент не відповідає принаймні одній із вимог перевірки, що наведені нижче, зверніться до працівника центру обслуговування. Купуючи будь-який наш виріб, ви отримуєте гарантію на професійний ремонт та обслуговування. Якщо продавець, у якого ви купуєте інструмент, не надає послуг з обслуговування, дізнайтеся в нього, де знаходиться найближчий центр обслуговування.

## Перевірка інтерфейсу користувача

1. Натисніть і утримуйте кнопку увімкнення / вимкнення (A).
  - a) Коли екран (B) увімкнено, це означає, що виріб також увімкнено. (Мал. 22)
  - b) Коли екран вимкнено, це означає, що виріб також вимкнено.
2. Якщо попереджувальний індикатор на екрані горить або блимає, див. *Інтерфейс користувача на сторінці 431.*

## Перевірка фіксатора механічного пускового пристрою

Фіксатор механічного пускового пристрою призначений для запобігання випадковому вмиканню. Коли ви пересуваєте фіксатор механічного пускового пристрою вперед (A), а потім притискаєте його до рукоятки (B), механічний пусковий пристрій (C) звільняється. Коли ви випускаєте з рук рукоятку, то і фіксатор, і механічний пусковий пристрій повертаються до вихідного положення. Повернення здійснюється за допомогою трьох незалежних пружин.

(Мал. 23)

1. Переконайтесь, що механічний пусковий пристрій заблоковано, коли фіксатор механічного пускового пристрою перебуває в початковому положенні. (Мал. 24)
2. Натисніть на механічний пусковий пристрій та переконайтесь, що він повертається у попередню позицію, коли ви його відпускаєте. (Мал. 25)
3. Переконайтесь, що механічний пусковий пристрій і фіксатор рухаються вільно, а зворотна пружина працює належним чином.
4. Запустіть виріб – див. розділ *Запуск виробу на сторінці 429.*
5. Увімкніть виріб на максимальну потужність.
6. Відпустіть механічний пусковий пристрій і переконайтесь, що різальна насадка зупинилася й не рухається.

## Перевірка захисного кожуха різальної насадки



### ПОПЕРЕДЖЕННЯ:

Забороняється використовувати різальну насадку без сертифікованого й правильно встановленого захисного кожуха. Використовуйте лише рекомендований для вашої різальної насадки захисний кожух. Див. *Аксесуари на сторінці 433.* Використання несправного чи несумісного захисного кожуха різальної насадки може спричинити тяжкі травми.

Захисний кожух ріжучої насадки захищає від викидання предметів у напрямку оператора. Також він дозволяє уникнути травм у результаті торкання ріжучої насадки.

1. Зупиніть виріб та вийміть акумулятор.
2. Проведіть візуальну перевірку на предмет пошкоджень на кшталт тріщин. (Мал. 26)
3. Якщо захисний кожух різальної насадки пошкоджений, замініть його.

## Головка тримера

- Завжди використовуйте відповідні різальні насадки, головки й нитки тримера. Див. *Аксесуари на сторінці 433* та порядок монтажу в кінці посібника.
- Переконайтесь в тому, що різець на кожусі тримера не пошкоджено.
- Переконайтесь, що нитка тримера надійно й рівномірно намотана на барабан, інакше під час роботи може виникати незвична вібрація. Використання шнурів різної довжини може призвести до надлишкової вібрації. Натисніть на головку тримера, щоб відрегулювати довжину шнура.

Щоб збільшити термін служби шнура, перед монтажем його можна вимочити у воді протягом 2 днів або довше. Це зробить шнур міцнішим.

## Правила техніки безпеки під час монтажу



**ПОПЕРЕДЖЕННЯ:** Перед користуванням виробом уважно прочитайте ці вказівки, переконайтеся, що ви їх зрозуміли, і завжди дотримуйтеся їх.

- Перед монтажем вийміть акумулятор із виробу.
- Використовуйте відповідні захисні рукавиці.
- Пошкоджений або несправний захисний кожух може спричинити травму. Забороняється використовувати різальні насадки без сертифікованого захисного кожуха.
- Перед запуском виробу переконайтеся, що кришка й вал змонтовані правильно.
- Приводний диск й опорний фланець повинні зіплюватися в центральному отворі різальної насадки відповідним чином. Неправильне встановлення різальної насадки може призвести до травм чи смерті.
- Якщо в комплекті з насадкою постачається пасова підвіска, вона має бути закріпленою на виробі належним чином. Пасова підвіска робить експлуатацію безпечною й дає змогу запобігти травмуванню оператора чи сторонніх осіб.

## Правила техніки безпеки під час обслуговування



**ПОПЕРЕДЖЕННЯ:** Перш ніж розпочати технічне обслуговування виробу, уважно прочитайте наведені нижче попередження.

- Перед технічним обслуговуванням, іншими перевірками чи монтажем виробу необхідно виймати акумулятор.
- Оператор має виконувати лише ті види технічного обслуговування, що описані в цьому посібнику користувача. У разі необхідності виконання складніших робіт із технічного обслуговування слід звернутися до сервісного дилера.
- Заборонено мити батарею чи зарядний пристрій водою. Використання сильнодіючих миючих засобів може призвести до пошкодження пластику.
- Відсутність технічного обслуговування зменшує термін служби виробу й підвищує вірогідність виникнення нещасних випадків.
- Для виконання робіт з обслуговування й ремонту, особливо в разі роботи із захисними пристроями виробу, необхідна спеціальна підготовка. Якщо після технічного обслуговування виріб не пройде частину перевірок, наведених у цьому посібнику користувача, зверніться до свого сервісного дилера. Ми гарантуємо можливість професійного ремонту й обслуговування вашого виробу.
- Використовуйте лише оригінальні запасні частини.
- Під час роботи з різальною насадкою завжди надягайте міцні рукавиці. Леза дуже гострі й можуть легко спричинити травми.

## Збирання

### Монтаж петельного тримача

1. Встановіть петельний тримач на вал між стрілками. Не встановлюйте петельний тримач або кільце підвісної системи в місце, де розташована наклейка. (Мал. 27)
2. Вставте прокладку в отвір на петельному тримачі.
3. Встановіть гайку, головку та гвинт, але не затягуйте занадто сильно.
4. Налаштуйте виріб так, щоб вам було зручно працювати.
5. Закрутіть болт.

### Монтаж різального обладнання

Різальне обладнання включає в себе ріжучу насадку та її захисний кожух.



### ПОПЕРЕДЖЕННЯ:

Використовуйте захисні рукавички.



### ПОПЕРЕДЖЕННЯ:

Використовуйте лише рекомендований для певної ріжучої насадки захисний кожух. Див. *Технічні характеристики на сторінці 432.*



### ПОПЕРЕДЖЕННЯ:

Неправильно встановлена ріжуча насадка може призвести до травм або смерті.

## Прикріплення захисного кожуха різальної насадки

1. Прикріпіть захисний кожух різальної насадки (А) до гачка на пласкому тримачі (В). (Мал. 28)
2. Установіть захисний кожух різальної насадки на вал і затягніть його за допомогою болта (С).

## Зняття захисного кожуха різальної насадки

- Вийміть болт (С) і зніміть захисний кожух різальної насадки (А) з вала. (Мал. 29)

## Монтаж головок тримера



**ПОПЕРЕДЖЕННЯ:** Під час установлення різальної насадки дуже важливо, щоб піднята частина приводного диска чи опорного фланця правильно ввійшла в центральний отвір різальної насадки. Якщо різальну насадку встановлено неправильно, це може призвести до серйозної та/або смертельної травми.



**ПОПЕРЕДЖЕННЯ:** Ніколи не користуйтеся різальними насадками

без відповідного захисного кожуха. Дивіться розділ *Аксесуари на сторінці 433*. Використання несправного чи неправильно кожного може спричинити тяжкі травми.

## Монтаж головки тримера

1. Установіть приводний диск (В) на вихідний вал.
2. Обертайте вихідний вал, доки один з отворів приводного диска не буде суміщено з відповідним отвором у корпусі редуктора.
3. Вставте стопорний штифт (С) в отвір, щоб зафіксувати вал.
4. Щоб зафіксувати, повертайте головку тримера (Н) проти годинникової стрілки. (Мал. 30)

## Демонтаж головки тримера

1. Вставте стопорний штифт (С) в отвір, щоб зафіксувати вал.
2. Щоб зняти головку тримера (Н), повертайте її за годинниковою стрілкою.
3. Зніміть приводний диск (В) з вихідного вала. (Мал. 30)

## Експлуатація

### Вступ



**ПОПЕРЕДЖЕННЯ:** Перед використанням виробу уважно прочитайте розділ про правила техніки безпеки.

### Під'єднання акумулятора до виробу



**ПОПЕРЕДЖЕННЯ:** Використовуйте лише оригінальні акумулятори Husqvarna.

1. Переконайтеся, що акумулятор повністю заряджений.
2. Вставте акумулятор у тримач акумулятора виробу. Акумулятор зафіксується на місці, коли ви почуєте клацання. (Мал. 31)



**УВАГА:** Якщо акумулятор не вставляється в тримач легко, ви встановлюєте його неправильно. Це може призвести до пошкодження виробу.

3. Переконайтеся, що акумулятор встановлено правильно.

### Робоче положення

- Тримайте виріб обома руками.
- Тримайте виріб праворуч.
- Тримайте різальну насадку нижче рівня пояса.
- Тримайтеся подалі від гарячих поверхонь.
- Тримайтеся подалі від ріжучої насадки.

### Перед початком роботи з виробом

- Огляньте робочу ділянку й переконайтеся, що ви ознайомилися з видом місцевості, нахилом землі та наявністю перешкод на кшталт каменів, гілок та ям.
- Проведіть загальний огляд виробу.
- Перевірте безпечність, відповідність технічного й іншого обслуговування, описаного в цьому керівництві.
- Упевніться, що всі кришки, захисні кожухи, ручки й різальне обладнання встановлені правильно та не пошкоджені.
- Перевірте опорний фланець на наявність тріщин. Якщо опорний фланець пошкоджений, замініть його.

(Мал. 32)

- Перевірте головку тримера й захисний кожух різальної насадки на наявність пошкоджень або тріщин. Якщо головка тримера або захисний

кожух різальної насадки пошкоджені або мають тріщини, замініть їх.

(Мал. 33)

## Запуск виробу

1. Натисніть кнопку ввімкнення та утримуйте її, доки не ввімкнеться зелений світлодіодний індикатор. (Мал. 34)
2. Керуйте швидкістю за допомогою механічного пускового пристрою.

## Обмеження максимальної частоти обертання за допомогою кнопки зміни режиму

Цей виріб оснащено кнопкою зміни режиму. За допомогою цієї кнопки оператор може обмежувати максимальну частоту обертання. Кнопка зміни режиму дає змогу перемикатися між 3 рівнями частоти обертання. На нижчих рівнях виріб споживає менше енергії, тому час роботи подовжується. Якщо для виконання роботи не потрібна максимальна потужність або частота обертання, користуйтеся виробом на рівнях 1 і 2. Якщо для виконання роботи потрібна максимальна потужність або частота обертання, увімкніть рівень 3. Не слід вмикати більшу потужність, ніж необхідно.

1. Натисніть кнопку зміни режиму, щоб установити обмеження максимальної частоти обертання. Про активний стан функції свідчитиме ввімкнений білий світлодіодний індикатор. (Мал. 35)
2. Знову натисніть кнопку зміни режиму, щоб установити наступний рівень частоти обертання.

## Функція автоматичного вимкнення

Виріб оснащено функцією автоматичного вимкнення, яка зупиняє його, якщо він не використовується.

## Підстригання трави за допомогою головки тримера

### Підстригання трави

1. Тримайте головку тримера під кутом безпосередньо над землею. (Мал. 36) Не вдавливайте нитку тримера в траву.

2. Під час зрізання трави поблизу предметів використовуйте 80 % потужності. (Мал. 37)

## Зрізання трави

1. Під час зрізання трави нитка тримера має бути паралельна землі. (Мал. 38)
2. Не вдавливайте головку тримера в землю. Існує ризик пошкодження землі та виробу.
3. Не дозволяйте головці тримера постійно торкатися землі, адже це може призвести до її пошкодження.
4. Рухаючи виріб з боку в бік для зрізання трави, використовуйте повну потужність. (Мал. 39) Переконайтеся, що нитка тримера знаходиться паралельно землі.

## Підмітання трави

Потік повітря від шнура тримера, що обертається, можна використати для прибирання трави.

1. Утримуйте головку тримера та її шнур над землею й паралельно землі.
2. Увімкніть виріб на максимальну потужність.
3. Переміщуйте головку тримера зі сторони в сторону й підмітайте таким чином траву.



**ПОПЕРЕДЖЕННЯ:** Очищуйте кришку головки тримера кожний раз під час встановлення нового шнура, адже це дозволить уникнути розбалансування й вібрації в рукоятках. Крім того, перевіряйте інші частини головки тримера й за необхідності очищуйте їх.

## Зупинення виробу

1. Відпустіть механічний пусковий пристрій або його фіксатор.
2. Натисніть кнопку вимкнення. (Мал. 34)
3. Натисніть кнопки виймання на акумуляторі й витягніть його. (Мал. 40)

# ТЕХНІЧНЕ ОБСЛУГОВУВАННЯ

## Вступ



**ПОПЕРЕДЖЕННЯ:** Перед виконанням будь-яких робіт із технічного обслуговування обов'язково прочитайте й усвідомте зміст розділу про заходи безпеки.

## Графік технічного обслуговування



**ПОПЕРЕДЖЕННЯ:** Перед технічним обслуговуванням необхідно виймати акумулятор.

Нижче наведено перелік заходів технічного обслуговування, які слід виконувати.

Технічне обслуговування	Щодня	Щотижня	Щомісяця
Очистьте зовнішні деталі виробу сухою ганчіркою. Не використовуйте воду.	X		
Переконайтеся, що кнопка запуску / зупинки працює правильно й не пошкоджена.	X		
Переконайтеся в тому, що механічний пусковий пристрій і його фіксатор працюють правильно з точки зору безпеки.	X		
Переконайтеся, що всі елементи керування працюють і не пошкоджені.	X		
Рукоятки мають бути сухими, незабрудненими й очищеними від масла та мастила.	X		
Переконайтеся, що різальна насадка не пошкоджена. Якщо насадка пошкоджена, замініть її.	X		
Переконайтеся, що кожух різальної насадки або ніж не пошкоджений. Якщо захисний кожух різальної насадки або ніж пошкоджений, замініть його.	X		
Переконайтеся в тому, що всі гвинти й гайки затягнуті.	X		
Переконайтеся, що кнопки фіксатора на акумуляторі в справному стані та надійно утримують акумулятор виробу.	X		
Перевірте акумулятор на відсутність пошкоджень.	X		
Переконайтеся, що акумулятор заряджений.	X		
Переконайтеся, що зарядний пристрій не пошкоджений і працює належним чином.	X		
Перевірте всі кабелі та з'єднання. Переконайтеся, що вони не пошкоджені та не брудні.		X	
Упевніться, що конічну зубчасту передачу належним чином заповнено мастилом, як зазначено в розділі <i>Змащування конічної зубчастої передачі на сторінці 430</i> . Якщо ні, скористайтеся мастилом Husqvarna для зубчастих передач.		X	
Перевірте з'єднання між акумулятором і виробом. Перевірте з'єднання між акумулятором і зарядним пристроєм.			X

## Чищення виробу, акумулятора й зарядного пристрою

- Після використання протріть виріб сухою тканиною.
- Протріть сухою тканиною акумулятор і зарядний пристрій. Тримайте напрямні рейки акумулятора в чистоті.
- Перед встановленням акумулятора в зарядний пристрій чи виріб переконайтеся, що контакти акумулятора й зарядного пристрою чисті.

## Змащування конічної зубчастої передачі

- Зніміть різальне обладнання.

- Установіть виріб із мастильною пробкою в найвище положення.
- Зніміть мастильну пробку. (Мал. 41)
- Огляньте отвір мастильної пробки й поверніть приводний вал. Рівень мастила (A) має бути на одному рівні з кінцем зубця шестерні (B). (Мал. 42)
- Якщо рівень мастила надто низький, заповніть конічну зубчасту передачу мастилом Husqvarna для зубчастих передач. Повільно заповніть конічну зубчасту передачу мастилом до потрібного рівня (B), повертаючи приводний вал.



**УВАГА:** За неналежної кількості мастила конічна зубчаста передача може пошкодитися.

- Установіть мастильну пробку.

# Усунення несправностей

## Інтерфейс користувача

Несправність	Можливі несправності	Рекомендовані дії
Блимає помаранчевий світлодіодний індикатор стану акумулятора	Недостатня напруга акумулятора.	Зарядіть акумулятор.
Індикатор помилки блимає червоним кольором	Перевантаження.	Різальна насадка застрягла. Зупиніть виріб. Вийміть акумулятор. Очистьте різальну насадку від непотрібного матеріалу.
	Відхилення температури від норми.	Дайте виробу охолонути.
	Одночасно натиснуто механічний пусковий пристрій і кнопку включення.	Відпустіть механічний пусковий пристрій, після чого виріб буде ввімкнено.
Виріб не запускається	Забруднені з'єднувачі акумулятора.	Прочистьте з'єднувачі акумулятора стисненим повітрям або м'якою щіткою.
Світлодіодний індикатор помилки горить червоним	Виріб потребує обслуговування.	Зверніться до центру обслуговування.

## Транспортування, зберігання й утилізація

### Транспортування та зберігання

- На літій-іонні акумулятори поширюються правила щодо небезпечного вантажу.
- У разі перевезення пасажирським або вантажним транспортом дотримуйтеся спеціальних вимог щодо упаковки й маркування (це правило також стосується третіх осіб і експедиторів).
- Перш ніж відправляти виріб, проконсультуйтеся з особою, що пройшла спеціальну підготовку щодо поводження з небезпечними матеріалами. Дотримуйтеся всіх застосованих національних норм і правил.
- Перед пакуванням акумулятора ізолюйте відкриті контакти. Зафіксуйте акумулятор в упаковці, щоб він не рухався.
- Готуючись до зберігання чи транспортування інструмента, завжди слід виймати акумулятор.
- Зберігайте акумулятор і зарядний пристрій у сухих приміщеннях, захищених від вологи й низьких температур.
- Заборонено зберігати акумулятор у місці, де можуть утворюватися статичні заряди. Не зберігайте акумулятор у металевій коробці.
- Зберігайте акумулятор за температури 5–25 °C (41–77 °F) у захищеному від прямих сонячних променів місці.
- Зберігайте зарядний пристрій за температури 5–45 °C (41–113 °F) у захищеному від прямих сонячних променів місці.
- Використовуйте зарядний пристрій лише за температури навколишнього середовища 5–40 °C (41–104 °F).
- Перед довготривалим зберіганням акумулятор необхідно зарядити на 30–50 %.
- Зберігайте зарядний пристрій у сухому закритому приміщенні.
- Зберігайте акумулятор і зарядний пристрій окремо. Не дозволяйте дітям й іншим особам без належної підготовки торкатися обладнання. Зберігайте обладнання в приміщеннях, які можна закрити на замок.
- Перед тривалим зберіганням промийте виріб і проведіть повне технічне обслуговування.
- Під час транспортування й зберігання використовуйте чохол для транспортування, що допоможе захистити виріб від травм і пошкоджень.
- Під час транспортування надійно закріплюйте виріб.

## Утилізація акумулятора, зарядного пристрою й виробу

Символи на виробі або упаковці виробу вказують на те, що виріб не слід утилізувати разом із побутовими відходами. Утилізацію необхідно проводити на

підприємстві з переробки відходів електричного й електронного обладнання. Це допоможе запобігти шкоді навколишньому середовищу й людям.

Зверніться до місцевих органів влади, місцевої служби переробки відходів або дилера по додаткову інформацію про методи утилізації виробу.

## Технічні характеристики

### Технічні характеристики

	325iL
<b>Електродвигун</b>	
Тип двигуна	Двигун постійного струму (без щіток) 36 В
Частота обертання вихідного вала, об/хв	5800
Ширина зрізання, мм	420
<b>Маса</b>	
Маса без акумулятора та різальної насадки, кг	3,0
<b>Випромінювання шуму</b> <sup>82</sup>	
Рівень звукової потужності, дБ (А)	93
Гарантований рівень звукової потужності, L <sub>WA</sub> дБ(А)	96
<b>Рівні шуму</b> <sup>83</sup>	
Еквівалентний рівень шумового тиску у вусі оператора, виміряний відповідно до стандарту ISO 22868, дБ(А):	
Обладнано голівкою тримера (оригінальна деталь).	84
<b>Рівні вібрації</b> <sup>84</sup>	
Рівень вібрації в ручках, виміряний відповідно до стандарту ISO 22867, м/с <sup>2</sup>	
Зі встановленою (оригінальною) голівкою тримера, передня / задня частина, м/с <sup>2</sup>	4,3 / 2,9

<sup>82</sup> Випромінювання шуму в середовище, виміряне як звукова потужність (LWA), відповідає директиві ЄС 2000/14/ЄС. Заявлений рівень звукової потужності цієї машини було виміряно під час роботи оригінальної різальної насадки, що створює найбільший рівень шуму. Різниця між гарантованим та виміряним рівнем звукової потужності полягає в тому, що гарантований рівень звукової потужності також враховує розбіжність у результатах вимірювання та відмінні між різними машинами однієї моделі згідно з Директивою 2000/14/ЄС.

<sup>83</sup> Указані дані про рівень звукового тиску для мають стандартну статистичну розбіжність (стандартне відхилення) у 3 дБ (А) й виміряні за використання оригінальної насадки, що забезпечує максимальний рівень звукового тиску.

<sup>84</sup> Заявлені дані щодо рівня вібрації мають стандартну статистичну розбіжність (стандартне відхилення) у 2 м/с<sup>2</sup>. Для порівняння рівнів вібрації, акумуляторів і продуктів згоряння скористайтеся калькулятором вібрації: <https://www.husqvarna.com/uk/services-solutions/vibration-calculator/>.



## Схвалені акумулятори

Акумулятор	BLi 200
Тип	Літій-іонний
Ємність батареї, ампер-години	5,2
Номинальна напруга, В	36
Вага, кг	1,3 (2,9)

## Сертифіковані зарядні пристрої

Зарядний пристрій акумулятора	QC330
Вхідна напруга, В	100–240
Частота, Гц	50–60
Потужність, Вт	330

---

## Акcesуари

---

### Акcesуари

Схвалені акcesуари	Тип акcesуара	Захисний кожух різальної насадки, арт. №
Діаметр центрального отвору лез / ножів, Ø 25,4 мм		
Різьблення вихідного вала M10		
Головка тримера	T35 (шнур тримера Whisper twist, максимальний Ø 2,4 мм)	597 01 62-02

# Декларація відповідності

## Декларація відповідності ЄС

Ми, компанія **Husqvarna AB**, SE-561 82 Huskvarna, Швеція, тел.: +46-36-146500, заявляємо під свою виключну відповідальність, що представлений виріб:

<b>Опис</b>	Акумуляторний тример для трави
<b>Бренд</b>	Husqvarna
<b>Тип / модель</b>	325iL
<b>Ідентифікація</b>	Серійні номери за 2023 рік і пізніше

повністю відповідає таким директивам і нормам ЄС:

Директива/норма	Опис
2006/42/EC	«Про механічне обладнання»
2014/30/EMC	«Про електромагнітну сумісність»
2011/65/EU	«Про обмеження використання небезпечних речовин»
2000/14/EC	«Про випромінювання шуму від обладнання, призначеного для використання надворі»

і що до нього застосовуються вказані далі узгоджені стандарти та (або) технічні специфікації: EN 62841-1:2015/AC:2015, EN 62841-4-4 (IEC 62841-4-4:2020), EN 61000-6-1:2007 (Immunity), EN 61000-6-3:2007/A1:2011/AC:2012 (Emission).



RISE SMP Svensk Maskinprovning AB, Box 4053, SE-904 03 Umeå, Sweden виконали добровільну сертифікацію на відповідність вимогам згідно з Додатком IX до стандарту 2006/42/EC. Номер сертифіката: SEC/23/2579.

Крім того, компанія Notified body: 0404, RISE SMP Svensk Maskinprovning AB, Box 4053, SE-904 03 Umeå, Sweden затвердила відповідність Додатку VI до Директиви ради ЄС 2000/14/EC.

Відомості стосовно випромінювання шуму дивіться в розділі *Технічні характеристики на сторінці 432*.

Huskvarna, 2022-12-01

Стефан Гольмберг (Stefan Holmberg), директор відділу НДДКР, управління технологіями, Husqvarna AB

Відповідальний за технічну документацію

---

# 内容

---

引言.....	435	运输、存放和废弃处理.....	443
安全性.....	436	技术参数.....	443
安装.....	440	附件.....	445
操作.....	441	一致性声明.....	446
维护.....	442	附录.....	447
故障排除.....	443		

---

# 引言

---

## 产品说明

Husqvarna 325iL 是采用电动机的电池驱动型打草机。

我们致力于提高您的工作安全性与效率。欲了解更多信息，请与您的保养代理商联系。

## 预期用途

本产品与打草头配合使用，可用于修剪多种草本植物。本产品仅可用于草坪修剪和草坪清理，切勿用于其他任务。

## 产品概览

(图 1)

1. 操作手册
2. 斜齿轮
3. 锁定销孔
4. 打草头
5. 切割附件防护罩
6. 驱动盘
7. 组合扳手
8. 环形手柄
9. 旋钮
10. 操纵杆
11. 锁定销
12. 警告指示灯 (LED)
13. “启动/停止”按钮
14. 速度模式按钮
15. 开关扳机锁
16. 用户界面
17. 开关扳机
18. 电池充电器电源线
19. 电池充电器
20. 通电和警告 LED 指示灯
21. 电池释放按钮
22. 电池
23. 电量状态 LED 指示灯
24. 警告 LED 指示灯
25. 电池指示灯按钮

**注意：**本机的使用可能会受到国家或地方法规的管制。请遵守指定的法规。

仅将本产品与制造商批准的附件配套使用。请参阅 *附件* 在第 445 页上。

## 本产品上的符号

- (图 2) 警告！本产品可能会带来危险！疏忽或使用不当有可能导致操作人员或他人受到严重或致命伤害。阅读并充分理解说明书的内容极其重要。请仔细阅读说明书，确保在充分理解各项说明之后再使用本产品。
- (图 3) 请使用获得批准的听觉保护装备。请使用获得批准的眼部防护装备。
- (图 4) 极限速度或空载速度。
- XXXX /min  
或 min<sup>-1</sup> | 每分钟转数或往复次数。
- (图 5) 额定电压，V
- (图 6) 直流电。
- (图 7) 本产品符合适用的 EC 指令。
- (图 8) 本产品符合适用的英国法规。
- (图 9) 请使用获得批准的防护手套。
- (图 10) 请穿上结实、防滑的安全鞋。
- (图 11) 仅使用非金属柔性切割附件。
-

(图 12) 本产品或其包装上的符号表示本产品不能作为生活垃圾进行处理。本产品必须通过合适的回收装置进行收集。

(图 13) 本附件可能会以很大的力量抛出物体，这些物体可能反弹回来。如果未使用建议的安全装备则可能会导致眼部严重受伤。

(图 14) 维护前请断开电池的连接。

(图 15) 本产品可防水溅。

(图 16) 保持身体部位远离高温表面。

(图 17) 环境噪音排放标签符合欧盟和英国指令和法规，以及新南威尔士州法规“2017 年环境行动（噪音控制）保护法规”的要求。本产品的保证声功率级详见 *技术参数* 在第 443 页上。

yyyywwxxxx

标牌上显示序列号。yyyy 是生产年份，ww 是生产周，xxxx 是序列号。

(图 18)

操作员必须确保 15 米范围内无任何人员或动物。当多名操作员在同一现场工作时，之间必须保持至少 15 米的安全距离。

**注意：**产品上的其他符号/标识对应于其他商用领域的认证要求。

## 产品损坏

对于因下列情况造成的产品损坏，我们概不负责：

- 未正确修理产品。
- 使用非原装零部件或者未获原厂批准的零部件修理产品。
- 产品加装了非原装的或者未获原厂批准的附件。
- 未在授权的保养厂修理产品，或者未由授权的机构修理产品。

# 安全性

## 安全定义

本手册使用了“警告”、“小心”和“注意”来指出特别重要的内容。



**警告：**当不遵守手册中的说明可能会给操作员或周围人员带来伤害或死亡风险时，会使用此标志。



**小心：**当不遵守手册中的说明可能会对产品、其他材料或附近区域造成损坏时，会使用此标志。

**注意：**用于提供特定状况下所需的更多信息。

## 电动工具一般安全警告



**警告：**请阅读此电动工具随附的所有安全警告、说明、图示和规格。如不遵循下列所有说明，可能会导致电击、火灾和/或严重伤害。

- 保存所有警告和说明供以后参考。警告中的术语“电动工具”指的是电力驱动（有线）的电动工具或电池供电（无线）的电动工具。

## 工作区安全

- 保持工作区域干净明亮。混乱或黑暗的区域可能会导致事故。

- 请勿在诸如存在易燃液体、气体或粉尘等易爆炸的环境中操作电动工具。电动工具会生成火花，可能会点燃粉尘或气体。
- 操作电动工具时请远离儿童和旁观者。操作时分心将会无法控制工具。

## 电气安全

- 电动工具的插头必须与电源插座匹配。切勿以任何方式改造插头。请勿将任何转接插头与接地的电动工具一起使用。未经改造的插头和匹配的电源插座将减少电击风险。
- 避免将身体与接地表面接触，如管道、散热器、炉具和冰箱。如果身体接地，则会增加遭受电击的风险。
- 请勿将电动工具暴露在雨水或潮湿环境下。电动工具中进水将会增加电击风险。
- 请勿滥用电线。切勿使用电线来携带、拖拉或断开电动工具。请将电线远离热、油脂、尖锐边缘或移动的部件。损坏或缠绕的电线会增加触电风险。
- 在室外操作电动工具时，请使用适用于室外用途的加长电缆。使用室外专用的电线会降低电击风险。
- 如果无法避免在潮湿的地点操作电动工具，请使用电流式漏电断路器 (RCD) 保护电源。使用 RCD 可降低电击风险。

## 人身安全

- 操作电动工具时，保持警觉并密切注意正在执行的操作并根据常识做出合理判断。请勿在疲倦或服用药剂、酒精或药物后使用电动工具。操作电动工具时的一时疏忽可能会导致严重的人身伤害。
- 使用个人防护装备。始终佩戴眼部保护装置。适用于相应条件的防尘面罩、防滑安全鞋、安全帽、听觉保护设备等保护装备可减少人身伤害。

- 防止本机意外启动。在连接至电源和/或电池组、提起或携带工具之前，确保开关处于关闭位置。携带电动工具时将手指放在开关上或为已打开开关的电动工具加电会引发事故。
- 打开电动工具开关前，请取下任何调整扳手。保持扳手与电动工具的旋转部件相连接可能会导致人身伤害。
- 请勿伸得过长。请始终维持适当的位置和平衡。这样在出现意外时可以更好地控制电动工具。
- 穿戴合适的服装。请勿穿宽松的服装或佩戴珠宝。保持头发和衣服远离移动部件。宽松的服装、珠宝或长发可能会绞入移动部件中。
- 如果提供了用于连接吸尘和集尘装置的设备，请确保正确连接和使用这些设备。使用集尘装置可减少因灰尘引起的相关危险。
- 在频繁使用工具而熟悉工具后，不要掉以轻心并忽视工具的安全原则。任何疏忽大意都随时可能造成严重的伤害。

## 电动工具的使用和养护

- 请勿强行操作电动工具。请针对具体用途使用正确的电动工具。使用正确的电动工具可更好更安全地按照设计用途完成工作。
- 请勿使用通过开关无法打开和关闭的电动工具。无法使用开关进行控制的任何电动工具都是危险的，必须进行维修。
- 在对电动工具进行任何调整、更换附件或存放前，请将插头从电源中拔出 / 或将电池组从电动工具上拆下（如果可拆卸）。此类预防性安全措施可降低不小心启动电动工具的风险。
- 请将闲置的电动工具存放在远离儿童的位置，不得允许不熟悉电动工具或这些说明的人操作电动工具。未经培训的用户使用电动工具将非常危险。
- 维护电动工具和附件。检查是否存在未对齐或移动部件纠缠、零件破损以及任何其他可能会影响电动工具操作的情况。如果工具已损坏，请在使用前维修电动工具。许多事故都是因电动工具未得到正确维护造成的。
- 保持切割工具锋利洁净。使用具有锋利切割边缘且经过适当维修的切割工具，较少出现纠缠的情况且更易于控制。
- 请按照这些说明使用电动工具、附件和刀头等，同时考虑工作环境以及要执行的作业。如果电动工具用于非设计用途会导致危险。
- 保持手柄和握紧面干燥、清洁且未沾染油脂。手柄和握紧面不可打滑，以确保在意外情况下安全搬运和控制工具。

## 电池动力工具的使用和养护

- 只能使用制造商指定的充电器为电池充电。如果将适合某一类型电池组的充电器用于其他类型电池组充电，可能产生失火危险。
- 电动工具只能使用专门指定的电池组。使用任何其他类型的电池组可能产生伤害和失火风险。
- 当不使用电池组时，使其远离其他金属物体，例如回形针、硬币、钥匙、螺钉或其他金属小物品，以免接通电池端子。电池端子短接到一起可能会引起灼伤或火灾。

- 电池在滥用情况下可能喷出液体，避免接触这些液体。如果意外接触，请用水冲净。如果液体接触眼睛，还必须就医。电池喷出的液体可能产生刺激或灼伤。
- 切勿使用损坏或经过改造的电池组或工具。损坏或经过改造的电池可能会出现意外情况，导致火灾、爆炸或受伤风险。
- 切勿将电池组或工具暴露在火中或温度过高的环境中。电池暴露在火中或超过 130 °C / 266 °F 的温度中可能发生爆炸。
- 请遵守所有的充电说明，切勿在说明中指定的温度范围之外为电池组或工具充电。充电不正确或在指定温度范围外充电可能会损坏电池，并增大失火风险。

## 保养

- 保养电动工具时，请联系具备相应资质的维修人员并仅使用相同的更换零件。这将确保电动工具的安全。
- 切勿维修损坏的电池组。电池组的维修只能由制造商或授权的服务提供商执行。

## 打草机、割灌机和割灌锯安全警告

- 切勿在不良的天气状况下使用机器，尤其是在有闪电危险的情况下。这可降低受雷电袭击的风险。
- 彻底检查机器的目标使用区域是否有野生动物。机器运行期间可能会造成野生动物受伤。
- 彻底检查机器的目标使用区域，并清除所有石头、枝条、电线、骨头和其他异物。抛掷物会导致人身伤害。
- 在使用机器前，务必目视检查以确保切割机或刀片和切割机或刀片组件未受损坏。损坏的部件会增加受伤风险。
- 按照说明更换附件。用于固定刀片的螺母或螺栓拧紧不当可能会导致刀片损坏或刀片脱落。
- 切割机的额定转速必须至少等于机器上标出的极限转速。当切割机以高于其额定转速的转速运行时，可能会破裂并四处飞散。
- 佩戴眼部、听力、头部和手部防护装备。适当的防护装备可以降低飞溅碎片或意外接触切割线或刀片造成人身伤害的风险。
- 在操作机器时，请务必穿上防滑的防护鞋。请勿赤脚或穿着露趾凉鞋操作机器。这可以减少脚与运动的切割机、切割线或刀片接触时受伤的风险。
- 在操作机器时，请务必穿长裤。皮肤外露会增加抛掷物导致受伤的可能性。
- 在操作机器时，请让旁观者远离机器。甩出的碎屑可能会导致严重的人身伤害。
- 务必用双手操作机器。用双手握住机器以防失控。
- 只能通过绝缘握紧面握住机器，因为切割线或刀片可能会接触隐藏的电线。切割线或刀片接触带电电线可能会使机器的裸露金属部分带电，导致操作员遭受电击。
- 确保双脚站稳，仅当站在地面上时才可操作机器。打滑或不稳定的表面可能会导致机器失去平衡或失控。
- 请勿在极陡的斜坡上操作机器。这可以降低有可能导致人身伤害的失控、滑倒和跌倒风险。
- 在斜坡上工作时，一定要站稳，始终在坡面上横向移动，切勿上下移动，并且在换向时要格外小心。这可

以降低有可能导致人身伤害的失控、滑倒和跌倒风险。

- 在机器运行过程中，使身体各部分远离切割机、切割线或刀片。启动机器前，请确保切割机、切割线或刀片没有接触任何物体。在操作机器时瞬间的疏忽可能会导致操作员或他人受伤。
- 切勿在超过腰部高度的位置操作机器。这有助于防止意外接触切割机或刀片，并且能在出现意外时更好地控制机器。
- 切割承受张力的灌木或树苗时，应当心它们回弹。当木质纤维中的张力被释放时，灌木或树苗可能会击打操作员和/或导致机器失控。
- 切割灌木和树苗时应非常小心。细长型材料可能会卡住刀片，进而抽向操作员或使操作员失去平衡。
- 保持对机器的控制，切勿在切割机、切割线或刀片以及其他危险的移动部件仍在运动时触摸它们。这可以降低活动部件导致受伤的风险。
- 在清除卡住的材料或保养机器时，确保所有电源开关均已关闭且电源线已断开连接。在清除卡住的材料或进行保养时，机器意外启动可能会导致严重的人身伤害。
- 关闭机器后再搬运机器，注意不要贴身搬运。正确地处理机器可降低意外接触运动的切割机、切割线或刀片的机率。
- 运输或存放机器时，务必将护盖安装在金属刀片上。正确地处理机器可降低意外接触刀片的机率。
- 只能使用制造商指定的替换切割机、切割线、切割头和刀片。不正确的替换零件可能会增加断裂和受伤的风险。

## 其他一般安全须知

- 停用本产品后再移至其他区域。转交产品时务必取下电池。
- 切勿放下本产品，除非您已将其停用并取出电池。切勿在本产品开启时使其处于无人看管状态。
- 切割刀具不会在本产品关闭后立即停止运动。
- 使用本产品之前以及遭受任何撞击之后，检查是否有磨损或损坏迹象，必要时进行维修。
- 如果在操作本产品时有任何东西卡在切割附件上，请停止操作并停用本产品。确保切割锯片完全停止转动。取出电池后再清洁、检查或维修本产品/或切割设备。
- 使用前，请先对本产品进行检查。请参阅 *产品上的安全装置* 在第 439 页上和 *维护* 在第 442 页上。切勿使用有故障的产品。按照本手册中的说明进行安全检查、维护和保养。
- 切割附件发生故障，可能增加发生意外的风险。
- 检查齿轮是否有污物和裂纹。使用刷子清除齿轮上的草料和树叶。应在必要时佩戴手套。
- 务必确保通风口处无碎屑。
- 检查打草头是否完全装到割草机上。
- 必须先装好所有护盖、防护罩和手柄，然后才能启动。
- 检查产品是否处于正常状态。检查并确认所有螺母和螺钉都已拧紧。
- 检查并确保打草头和割草机防护罩没有损坏或裂痕。打草头或割草机防护罩受到撞击或出现裂缝时，请予

以更换。务必使用针对所用切割附件推荐的防护罩。请参阅 *附件* 在第 445 页上。

- 如果粗心大意或使用不当，本产品可能会成为危险的工具。本产品可能会对操作员或其他人造成严重伤害或死亡。
- 本机不适合由身体、感官或智力低下的人（包括儿童）或缺少经验知识的人使用，除非监督或指导这些人如何使用机器，确保其安全。应谨慎看护儿童，确保他们不会玩耍本机器。
- 切勿允许儿童使用或靠近机器。由于机器容易启动，儿童如果失于看管，可能会启动机器。这就有可能造成严重的人员受伤。因此，机器在没有严格看护的情况下应断开电池。
- 切勿让儿童或其他未受过使用培训的人员使用或维修本产品和/或电池。
- 请将本机存放在可以锁定的区域，以免儿童或未授权人员接触。
- 始终使手脚远离切割区域，尤其是在启动电机时。
- 在本产品停用时，保持手脚远离切割锯片，直至其完全停止转动。
- 在本产品开启或切割设备旋转时，切勿清除落料或者让他人清除落料，因为这可能会导致严重伤害。
- 切记，作为操作员，您有责任避免人员及其财产遭受意外或危险。
- 在任何情况下，未经制造厂的许可，不得修改本产品的的设计。务必使用原厂零件。未经许可擅自修改，或使用未经批准的附件，可能会对操作员或其他人员造成严重的伤害或死亡。因使用未经批准的附件或备件而造成的伤害或责任，可能不在保修范围之内。
- 唯一可以与本产品配合使用的附件是“附件”章节中所推荐的切割附件。请参阅 *附件* 在第 445 页上。
- 切勿使用曾对原规格进行任何改动的产品。
- 禁止使用有故障的产品。按照本手册中的说明进行安全检查、维修和保养。部分维修和保养措施必须由受过培训并有相应资质的专家进行。请参阅“维护”一节中的说明。
- 在恶劣天气下工作容易让人疲倦，往往会带来额外风险。由于恶劣的天气条件会带来额外的风险，所以不建议在浓雾、大雨、强风、严寒、雷电等天气条件下使用机器。
- 切勿在梯子、凳子或其他没有完全固定的高处位置进行作业。
- 在室内存放闲置设备 - 设备不使用时，应存放在室内。
- 本手册不可能列出用户可能遇到的所有情况。请务必多加小心，并运用常识来应对。在任何超出您能力范围的情况下，请不要使用。如果您在阅读本手册说明之后对于操作流程依然不确定，应在咨询专家之后再继续操作。
- 进行作业时，确保 15 m 之内没有人员或动物靠近。多名操作员在同一区域作业时，至少保持 15 米安全距离。否则有可能造成严重的人身伤害。如有人靠近，立即关停产品。摆动产品之前务必先查看身后，确保安全区内无人。
- 确保人员、动物或其他物品不会影响您操控本产品，或者确保其不会接触切割附件或被切割附件抛出的松散物体。但是，如果发生事故时无法求救，请勿使用本产品。

- 确保您可以安全地移动与站立。检查您的周围区域是否存在障碍物（树根、岩石、树枝、沟渠等），以免造成您突然移动。在倾斜地面上工作时，要特别小心。
- 步行作业，不宜奔跑。
- 检查作业区。清除所有可能被抛出的松动物体或者可能继续切割机或切割机护罩的松散物体，如石块、碎玻璃、钉子、钢丝、线绳等。
- 在切割时，请注意树枝条可能会飞出。请勿靠近地面进行切割，在这种情况下，本产品可能会将石块和其他物体弹出。
- 在启动本产品时，确保衣服或身体各部位没有接触切割锯片。将本产品保持在腰部以下。
- 注意抛掷物。始终佩戴经批准的眼部防护装备。切勿俯身到切割附件防护罩上方。石头、垃圾等可能会抛入眼中，导致失明或严重伤害。
- 戴有听觉保护装备时，请留意警告信号或呼喊声。一旦产品停止运行，便取下听觉保护装备。
- 如果出现任何意外振动，敲出新的打草绳使其长度合适，以阻止振动。
- 如果本产品开始出现异常振动，请关闭本产品并取出电池。
- 血液循环不佳的人受到过度振动时，可能会导致血液循环系统或神经受损。如果您因过度振动而引起以下症状，请咨询医生。例如：麻痹、感觉麻木、发痒、刺痛、痛楚、体力缺乏、肤色或身体状况发生变化。这些症状通常出现在手指、双手或手腕上。
- 务必用双手握住本产品。将产品保持在身体右侧。

## 个人防护装备



**警告：** 请在使用本产品前阅读下面的警告说明。

- 操作产品时务必使用获得批准的个人防护装备。个人防护装备不能完全避免受伤，但当意外发生时，可降低伤害程度。请经销商协助您选择正确的防护装备。
- 在有物体掉落风险的地方，请佩戴保护头盔。
- 使用获得批准的听觉保护设备，尽量降低噪音。长期接触噪音可能会导致永久性听力损伤。
- 请使用获得批准的眼部保护装备。如果佩戴面罩，必须同时佩戴获得批准的护目镜。在美国，经检验合格的护目镜必须符合 ANSI Z87.1 标准；在欧盟国家/地区，必须符合 EN 166。
- 使用面罩进行面部防护。面罩无法为双眼提供足够保护。

(图 19)

- 必要时戴上手套，例如在安装、检查或清洁切割设备时。
- 穿上坚固的防滑靴。
- 穿着高强度纤维制成的衣物。务必穿着结实的长裤和长袖衣服。切勿穿着容易钩住小树枝和分枝的衣物。切勿佩戴珠宝、穿着短裤、凉鞋或光脚。确保头发安全地挽在肩部以上。

(图 20)

- 确保急救触手可及。

(图 21)

## 产品上的安全装置



**警告：** 请在使用本产品前阅读下面的警告说明。

本节介绍产品的安全功能及其用途，并说明如何进行检查和维护，以确保产品正常运转。有关这些零件在产品上的位置，请参阅 *引言* 在第 435 页上一节中的说明。

如果产品维护不当或由非专业人士进行保养和/或维修，产品的使用寿命会缩短，发生意外的风险会增加。欲知更多详情，请联系距您最近的保养经销商。



**警告：** 不得使用安全组件损坏的产品。产品的安全设备必须按照本节中的说明进行检查和维护。如果您的产品未通过这些检查中的任何一项，请联系您的保养厂对其进行维修。



**小心：** 本机的保养和维修必须经过专门培训。对于本机的安全设备来说尤其如此。如果在检修过程中出现下述的故障，应与保养厂联络。如果您购买我们的产品，我们承诺提供专业的维修和保养。如果出售本机的零售商不是保养经销商，应向他咨询距您最近的保养厂的地址。

## 检查用户界面

1. 按住启动/停止按钮 (A)。
  - a) 显示屏 (B) 亮起时，表示本产品已启动。(图 22)
  - b) 显示屏熄灭时，表示本产品已关闭。
2. 如果屏幕上的警告指示灯亮起或闪烁，请参阅 *用户界面* 在第 443 页上。

## 检查开关扳机锁

开关扳机锁用于防止本产品意外操作。向前 (A) 推动开关扳机锁，然后按下开关扳机锁抵住手柄 (B)，将会释放开关扳机 (C)。松开手柄后，开关扳机和开关扳机锁均会返回原位。返回运动由三根独立的弹簧进行控制。

(图 23)

1. 当开关扳机锁处于初始位置时，确保开关扳机已锁止。(图 24)
2. 按下开关扳机，确保松开手柄后扳机返回原位。(图 25)
3. 确保开关扳机和开关扳机锁能自由移动，并且复位弹簧工作正常。
4. 启动产品，请参阅 *启动产品* 在第 441 页上。
5. 全速运转。
6. 松开开关扳机，确保切割附件停止转动并保持静止不动。

## 检查切割刀片防护罩



**警告：**在未配备经批准的切割刀片防护罩以及切割刀片防护罩未正确固定的情况下，切勿使用切割刀片。务必使用为所用切割刀片推荐的切割刀片防护罩，请参阅 *附件在第 445 页上*。安装错误或破损的切割刀片防护罩会导致严重的人身伤害。

切割刀片防护罩可防止物体弹向操作员。它还可防止因碰撞切割刀片而致人受伤。

1. 停止产品并拆除电池。
2. 目视检查是否存在损坏，如裂纹。(图 26)
3. 更换损坏的切割刀片防护罩。

## 打草头

- 务必使用正确的打草头和切割锯片，并且务必使用推荐的打草绳。请参阅 *附件在第 445 页上* 和手册末尾的总成。
- 确保打草机护板上的切割齿完好无损。
- 确保打草绳紧密、均匀地缠绕在卷筒上，以防止本产品产生异常振动。不同的打草绳长度可能导致不必要的振动。轻敲打草头，以使打草绳长度合适。

为增加打草绳的使用寿命，可在装配前将其在水中浸泡 2 天或更多天。这将使打草绳更结实。

## 装配安全须知



**警告：**先仔细阅读、理解和遵循这些须知，然后再使用产品。

- 装配产品之前，请先从产品中取出电池。
- 请使用获得批准的防护手套。
- 已损坏或无法正常工作的防护罩可致人受伤。未安装许可防护罩的切割刀片切勿使用。
- 启动产品之前，确保先正确装配防护罩和驱动轴。
- 驱动盘和支撑凸缘必须正确接合在切割刀片的中心孔内。切割刀片固定不当可致人受伤或死亡。
- 如果随刀片提供了系带，请将背带正确固定到产品上。系带可以保证操作安全，防止伤害到操作员或其他人。

## 维护安全须知



**警告：**请在维护该产品前阅读下面的警告说明。

- 在维护前请取出电池，其他情况如检查或装配产品时，也需取出电池。
- 操作人员只能进行本说明书中介绍的维修和保养工作。更大范围的维修和保养请求助您的保养代理商。
- 切勿用水清洁电池或充电器。强力洗涤剂可能导致塑料损坏。
- 如果您不进行维护，可能会缩短产品的生命周期，并增加发生意外的风险。
- 对于所有的保养和维修工作，有必要进行专门的培训，尤其是有关产品上的安全装置。如果在您维护之后，本说明书中的检查并未全部获得批准，请求助于您的保养代理商。我们将保证为您的产品提供专业的维修和保养。
- 请仅使用原厂备件。
- 维修切割锯片时，请务必戴上耐磨的手套。锯片十分锋利，容易造成伤害。

## 安装

### 装配环形手柄

1. 将环形手柄安装在轴上的两个箭头之间。请勿让环形手柄或吊环遮住标签。(图 27)
2. 将垫片移至环形手柄的槽中。
3. 装上螺母、旋钮和螺丝，请勿拧紧。
4. 将产品调整至方便操作的位置。
5. 拧紧螺丝。

### 安装切割刀片

切割设备包括切割刀片和切割刀片防护罩。



**警告：**使用防护手套。



**警告：**务必使用建议用于切割刀片的切割刀片防护罩。请参阅 *技术参数在第 443 页上*。



**警告：**切割刀片固定不当可致人受伤或死亡。

### 安装切割附件防护罩

1. 将切割附件防护罩 (A) 安装到板夹 (B) 的挂钩上。(图 28)
2. 将切割附件防护罩安装到轴上，并用螺栓 (C) 固定。

### 拆卸切割附件防护罩

- 拧松螺栓 (C)，然后从轴上拆下切割附件防护罩 (A)。(图 29)

### 装配打草头



**警告：**安装切割附件时，要将驱动盘/支撑凸缘上的凸起部分与切割附件的中心孔正确接合，这一点非常重要。如果切割附件安装不当，会导致严重和/或致命的人身伤害。





**警告：** 严禁使用未装合格防护罩的切割附件。请参阅 *附件在第 445 页上*。安装错误的或破损的防护罩会导致严重的人身伤害。

## 安装打草头

1. 将驱动盘 (B) 安装在输出轴上。
2. 转动输出轴，使驱动盘中的一个孔与齿轮箱上对应的孔对准。

3. 将锁定销 (C) 插入孔中以将驱动轴锁定。
4. 逆时针转动打草头 (H) 以将其固定。(图 30)

## 拆下打草头

1. 将锁定销 (C) 插入孔中以将驱动轴锁定。
2. 顺时针转动打草头 (H) 以将其拆下。
3. 拆下输出轴上的驱动盘 (B)。(图 30)

# 操作

## 引言



**警告：** 请先仔细阅读并充分理解安全须知章节，再使用产品。

## 将电池连接到产品



**警告：** 仅使用本产品随附的 Husqvarna 原装电池。

1. 确保电池已经充满电。
2. 将电池推入本产品的电池座中。听到卡嗒声表示电池已卡紧到位。(图 31)



**小心：** 如果无法轻松地将电池移入电池座，则表明安装不正确。这可能导致损坏产品。

3. 确保电池已正确安装。

## 工作位置

- 用双手握住产品。
- 将产品保持在身体右侧。
- 将切割刀片保持在腰部以下。
- 确保身体各部位远离高温表面。
- 确保身体各部位远离切割刀片。

## 操作产品之前

- 检查工作区域，确保您了解地形、地面坡度，以及是否有石头、树枝和沟渠等障碍物。
- 对产品进行全面检查。
- 按照本手册中的说明进行安全检查、维护和保养。
- 确保所有护盖、防护罩、手柄和切割设备均已正确固定且完好无损。
- 检查支撑凸缘是否有裂纹。更换损坏的支撑凸缘。

(图 32)

- 检查打草头和切割锯片防护罩是否存在损坏和裂纹。更换被撞坏或者有裂纹的打草头和切割附件防护罩。

(图 33)

## 启动产品

1. 按住启动按钮，直至绿色 LED 指示灯亮起。(图 34)
2. 使用开关扳机控制速度。

## 通过模式按钮限制极限速度

本产品具有模式按钮。通过使用模式按钮，操作员可以限制极限速度。模式按钮有 3 个速度级别。级别越低，产品的运行时间越长。如果操作不需要全速/全功率，则使用 1 级和 2 级。如果操作条件需要全速/全功率，请使用 3 级。请勿使用高于操作所需的级别。

1. 按下模式按钮可将限值设置为极限速度。白色 LED 亮起显示该功能已打开。(图 35)
2. 再次按下模式按钮可选择下一个速度级别。

## 自动关机功能

本产品具有自动关机功能，在未使用时可自动关机。

## 使用打草头修剪草坪

### 修剪草坪

1. 握住打草头，使其与地面呈一定角度且恰好离地。(图 36) 切勿将打草绳按入草坪中。
2. 切割物体附近的草坪时，请用 80 % 的速度。(图 37)

### 割草

1. 确保割草时打草绳与地面保持平行。(图 38)
2. 切勿将打草头推向地面。否则可能会损坏地面和产品。
3. 切勿让打草头持续触碰地面，否则可能会损坏打草头。
4. 将产品从一侧移动到另一侧割草时，请使用全速。(图 39) 确保打草绳与地面保持平行。

### 吹扫草屑

转动的打草绳所产生的空气流可用于清理从某一区域割下的草屑。

1. 使打草头和打草绳与地面保持平行且高于地面。
2. 全速运转。
3. 将打草头从一侧移动到另一侧并吹扫草屑。



**警告：** 每次安装新的打草绳时请清洁打草头护罩，以防止把手出现不平衡和产生振动的问题。此外，请检查打草头的其他零部件，并根据需要进行清洁。

## 停止产品

1. 松开开关扳机或开关扳机锁。
2. 按下停止按钮。(图 34)
3. 按下电池上的释放按钮，然后取出电池。(图 40)

## 维护

### 引言



**警告：** 在进行任何维护工作之前，您必须阅读并理解安全须知章节。

### 维护时间表



**警告：** 在进行维护前请取出电池。

以下是本产品必要维护事项列表。

维护	每天	每周	每月
用干布清洁本产品的外部。请勿用水清洁。	X		
检查并确认启动和停止按钮工作正常且未受损。	X		
确保开关扳机和开关扳机锁的安全功能正常。	X		
确保所有控件工作正常且未受损。	X		
保持手柄干燥、洁净、无油脂。	X		
确保切割刀片未损坏。更换损坏的切割刀片。	X		
确保切割附件防护罩未损坏。更换损坏的切割附件防护罩或割刀。	X		
确保螺丝和螺母均已上紧。	X		
确保电池上的释放按钮工作正常并可将电池锁入本产品中。	X		
确保电池未受损。	X		
确保电池已充满电。	X		
确保电池充电器未受损且工作正常。	X		
检查所有线缆、接头和连接。确保其未受损且无灰尘。		X	
确保向斜齿轮正确地加注润滑脂，请参阅 <i>润滑斜齿轮在第 442 页上</i> 。否则，请使用 Husqvarna 斜齿轮润滑脂。		X	
检查电池与产品之间的连接。检查电池与充电器之间的连接。			X

## 清洁产品、电池和电池充电器

1. 在使用产品后用干布清洁产品。
2. 用干布清洁电池和电池充电器。保持电池导槽清洁。
3. 在将电池放入电池充电器或产品中之前，请确保电池和充电器的端子保持清洁。

## 润滑斜齿轮

1. 拆下切割设备。
2. 放置产品，使滑脂塞处于最高位置。
3. 取下滑脂塞。(图 41)

4. 观察滑脂塞孔并转动驱动轴。润滑脂油位 (A) 必须与齿轮齿顶 (B) 的顶部保持水平。(图 42)
5. 如果润滑脂油位过低，请向斜齿轮加注 Husqvarna 斜齿轮润滑脂。缓慢加注斜齿轮润滑脂并转动驱动轴，直至达到正确的油位 (B)。



**小心：** 润滑脂量不正确会导致斜齿轮损坏。

6. 装上滑脂塞。

## 故障排除

### 用户界面

问题	可能的故障	可行操作
电池 LED 指示灯呈橙色闪烁	电池电压低。	给电池充电。
错误指示灯呈红色闪烁	过载。	切割锯片卡住。停止产品运行。拆下电池。清除切割锯片上的多余材料。
	偏离工作温度。	使产品冷却下来。
	同时按下了开关扳机和启动按钮。	松开开关扳机，产品启动。
产品不能启动	电池接头变脏。	使用压缩空气或软刷清洁电池接头。
错误指示灯亮起红灯	产品需要保养。	联系您的保养厂。

## 运输、存放和废弃处理

### 运输及存放

- 随附的锂离子电池遵守危险品法律的要求。
- 请遵守商业运输在包装和标签方面的特殊要求，包括由第三方、运输代理等进行的商业运输。
- 在运送产品前，请与经过危险品专门培训的人员沟通。请遵守所有适用的国家法规。
- 在将电池放入包装中时，用胶带遮住裸露的触点。将电池牢牢固定在包装中，以防移动。
- 进行存放或运输之前请取下电池。
- 将电池和电池充电器放入干燥无霜的空间。
- 不要将电池存放在容易积聚静电的区域。严禁将电池存放在金属盒中。
- 电池存放温度应介于 5°C/41°F 至 25°C/77°F 之间，并避免阳光直射。
- 电池充电器存放温度应介于 5°C/41°F 至 45°C/113°F 之间，并避免阳光直射。
- 只能在 5°C/41°F 至 40°C/104°F 之间的环境温度条件下使用电池充电器。

- 在进行长期存储之前，将电池充电至 30% 至 50%。
- 将电池充电器存储在封闭、干燥的空间。
- 在存储期间使电池远离电池充电器。请勿使儿童和其他未获批准人员接触设备。将设备存放于可以锁闭的空间。
- 在长期存储本产品之前，应清洁产品并进行全面的保养。
- 在产品上使用运输护板，以防止产品在运输和存储期间造成伤害或损坏。
- 在运输期间固定好产品。

### 电池、电池充电器和产品的废弃处理

本产品或其包装上的符号指示不能将本产品当作生活垃圾进行处理。请在回收站作为电气和电子设备进行回收。这将有助于避免对环境和人产生损害。

请与当地相关部门、生活垃圾服务机构或您的经销商联系，了解更多关于回收本产品的信息。

## 技术参数

### 技术参数

	325iL
电机	
电机类型	BLDC (无刷型) 36V

	<b>325iL</b>
输出轴速度, 1/min	5800
割草宽度, mm	420
<b>重量</b>	
不包括电池和切割附件的重量, 千克	3.0
<b>噪音排放<sup>85</sup></b>	
声功率级测量值, dB (A)	93
声功率级, 保证值 (L <sub>WA</sub> ), dB(A)	96
<b>噪声级<sup>86</sup></b>	
操作员耳旁的等效声压级, 根据 ISO 22868 测量得出, 单位为 dB (A) :	
配有打草头 ( 原装 )	84
<b>振动水平<sup>87</sup></b>	
手柄振动水平根据 ISO 22867 测量得出, 单位为 m/s <sup>2</sup>	
配有打草头 ( 原装 ) , 前/后, 单位为 m/s <sup>2</sup>	4.3/2.9

## 认可电池

<b>电池</b>	<b>BLI 200</b>
类型	锂离子电池
电池容量 (Ah)	5.2
额定电压 (V)	36
重量, kg (lb)	1.3 (2.9)

## 认可电池充电器

<b>电池充电器</b>	<b>QC330</b>
输入电压, V	100-240
频率 (Hz)	50-60
功率 (W)	330

<sup>85</sup> 环境噪音排放以声功率 (LWA) 测量, 符合 EC 指令 2000/14/EC 的要求。报告给出的机器声功率级是按照原装切割锯片的最高级别测量得出的。保证声功率与测定声功率之间存在差异, 在于保证声功率按照指令 2000/14/EC 的要求还包含了测量结果中的离差以及相同型号不同机器之间的偏差。

<sup>86</sup> 本机的声压级报告数据中具有 3 dB (A) 的典型统计离差 ( 标准偏差 ) , 并且是按照原装附件的最高噪声级别测量得出的。

<sup>87</sup> 振级的报告数据中具有 2 m/s<sup>2</sup> 的典型统计离差 ( 标准偏差 ) 。要比较振动水平、电池和燃烧产物, 请使用振动计算器。 <https://www.husqvarna.com/uk/services-solutions/vibration-calculator/>。

---

## 附件

---

### 附件

经批准使用的附件	附件类型	切割锯片防护罩, 货号
刀片/割刀的中心孔, Ø 25.4 mm		
输出轴螺纹 M10		
打草头	T35 ( Whisper 螺旋形打草绳, 最大 Ø 2.4 mm )	597 01 62-02

# 一致性声明

## 欧盟一致性声明

我们 **Husqvarna AB** (地址: SE-561 82 Huskvarna, Sweden, 电话: +46-36-146500) 谨此声明, 本产品:

描述	电池供电打草机
品牌	Husqvarna
类型/型号	325iL
标识	2023 及以后的序列号

完全符合以下欧盟指令和法规的要求, 我们对此负有唯一的责任:

指令/法规	描述
2006/42/EC	“关于机械”
2014/30/EMC	“关于电磁兼容性”
2011/65/EU	“关于限制使用有害物质”
2000/14/EC	“关于室外噪声”

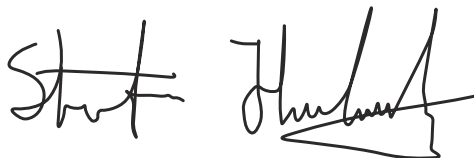
并适用以下标准和/或技术规格: EN 62841-1:2015/AC:2015, EN 62841-4-4 (IEC 62841-4-4:2020), EN 61000-6-1:2007 (Immunity), EN 61000-6-3:2007/A1:2011/AC:2012 (Emission)。

RISE SMP Svensk Maskinprovning AB, Box 4053, SE-904 03 Umeå, Sweden 已根据 2006/42/EC 附录 IX 的规定进行了自愿型式检验。证书编号: SEC/23/2579。

此外, Notified body: 0404, RISE SMP Svensk Maskinprovning AB, Box 4053, SE-904 03 Umeå, Sweden 还符合欧洲理事会指令 2000/14/EC 附录 VI 的要求。

有关噪音排放的信息, 请参阅 *技术参数* 在第 443 页上。

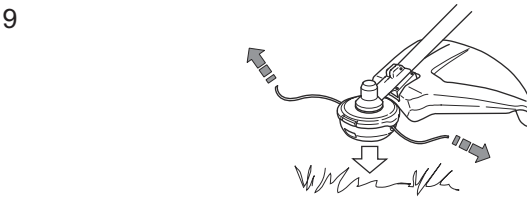
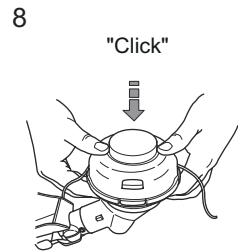
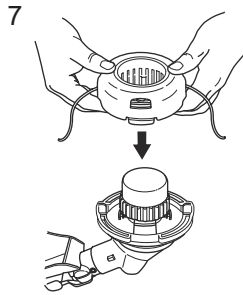
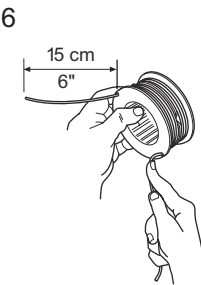
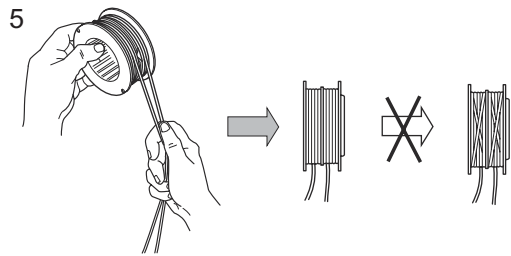
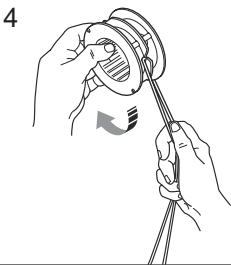
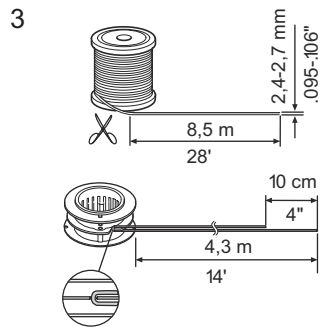
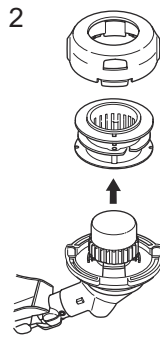
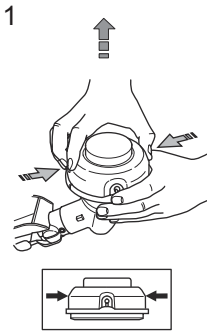
Huskvarna, 2022-12-01



Husqvarna AB 技术管理部门研发总监 Stefan Holmberg  
技术文档负责人



T35, T35x





FR

Cet appareil,  
ses cordons,  
et batterie  
se recyclent

À DÉPOSER  
EN MAGASIN

OU

À DÉPOSER  
EN DÉCHÈTERIE

Points de collecte sur [www.quefairedemesdechets.fr](http://www.quefairedemesdechets.fr)  
Privilégiez la réparation ou le don de votre appareil !

# Husqvarna®

[www.husqvarna.com](http://www.husqvarna.com)

Original instructions  
Оригинални инструкции  
Původní pokyny  
Originale instruktioner  
Originalanweisungen  
Αρχικές οδηγίες  
Instrucciones originales  
Originaljuhend  
Alkuperäiset ohjeet  
Instructions d'origine

Originalne upute  
Eredeti útmutatás  
Istruzioni originali  
取扱説明書原本  
Originalios instrukcijos

Lietošanas pamācība  
Originale instructies  
Originale instruksjoner  
Oryginalne instrukcje  
Instruções originais  
Instrucțiuni inițiale  
Оригинальные инструкции  
Põvodné pokyny  
Izvirna navodila  
Originalna uputstva  
Bruksanvisning i original  
Orjinal talimatlar  
Оригинальні інструкції  
原始说明



FR



1143022-38



2023-12-04