

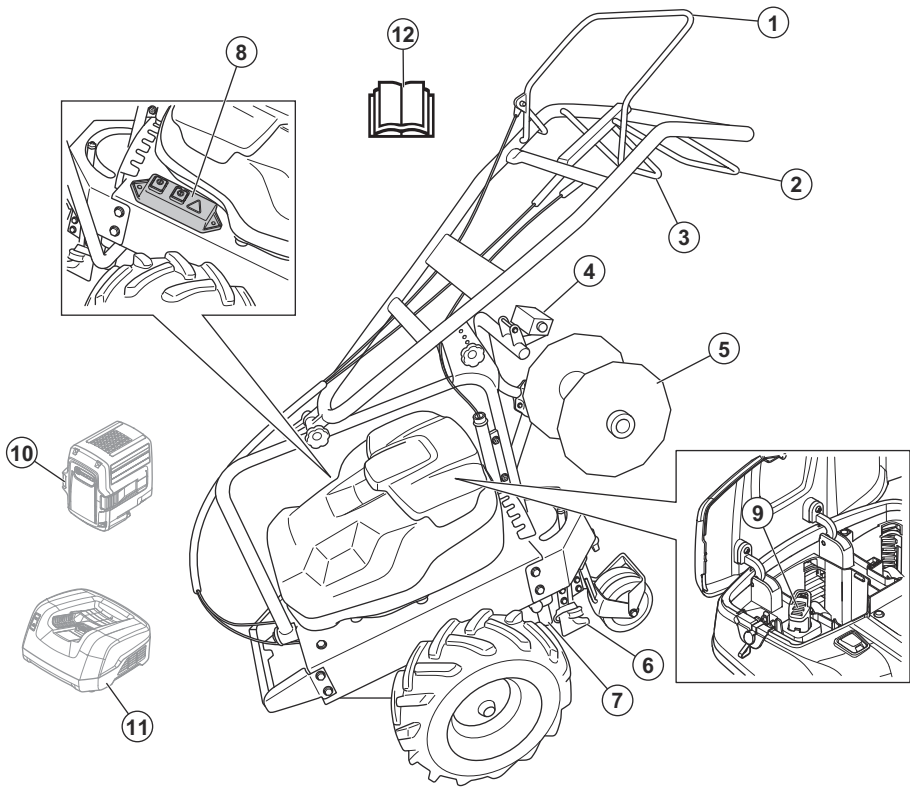


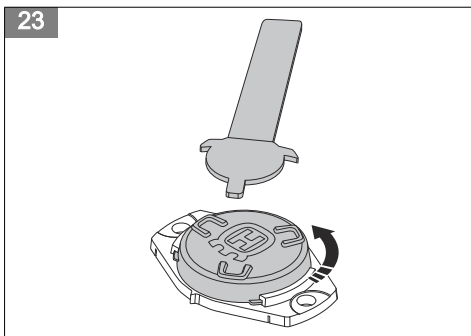
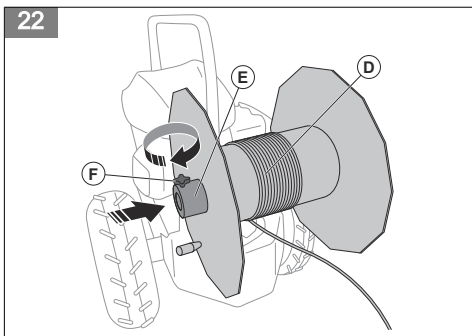
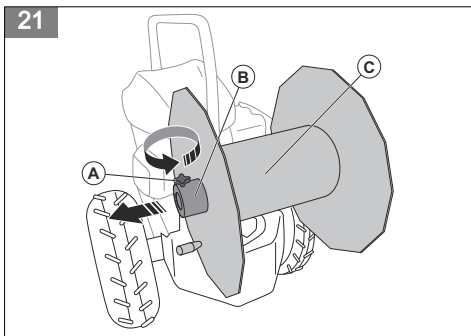
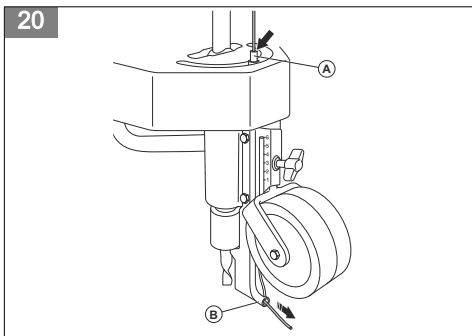
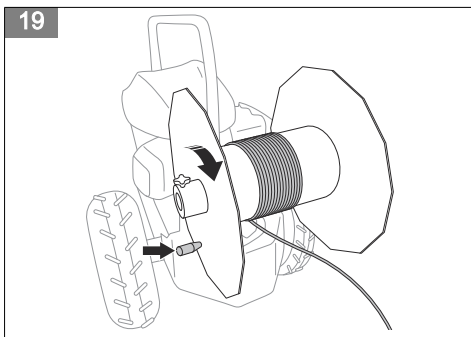
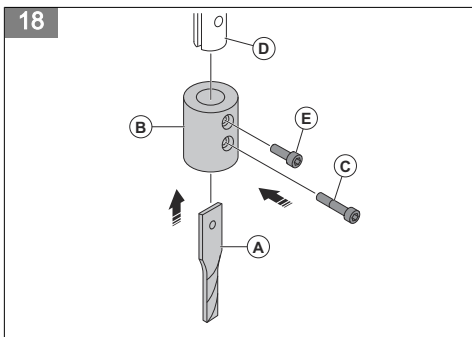
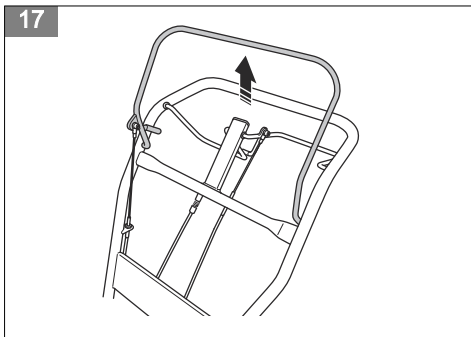
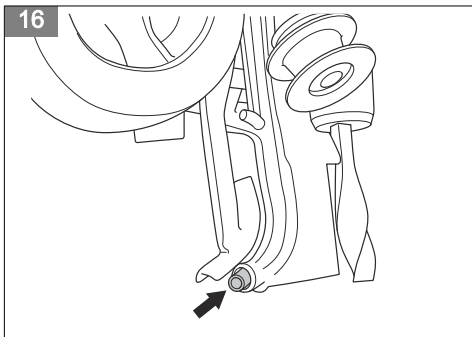
# Husqvarna®

## CL400i

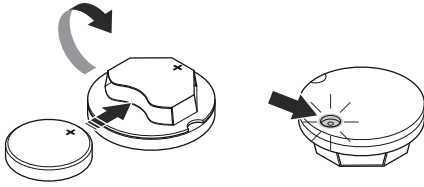


EN	Operator's manual	9-24
BG	Ръководство за експлоатация	25-42
CS	Návod k použití	43-58
DA	Brugsanvisning	59-74
DE	Bedienungsanweisung	75-93
EL	Οδηγίες χρήσης	94-111
ES	Manual de usuario	112-128
ET	Kasutusjuhend	129-143
FI	Käyttöohje	144-158
FR	Manuel d'utilisation	159-176
HR	Priručnik za korištenje	177-192
HU	Használati utasítás	193-209
IT	Manuale dell'operatore	210-226
LT	Operatoriaus vadovas	227-242
LV	Lietošanas pamācība	243-258
NL	Gebruiksaanwijzing	259-274
NO	Bruksanvisning	275-290
PL	Instrukcja obsługi	291-307
PT	Manual do utilizador	308-324
RO	Instrucțiuni de utilizare	325-341
RU	Руководство по эксплуатации	342-361
SK	Návod na obsluhu	362-377
SL	Navodila za uporabo	378-393
SV	Bruksanvisning	394-409
TR	Kullanım kılavuzu	410-425
UK	Посібник користувача	426-443
JA	取扱説明書	444-459

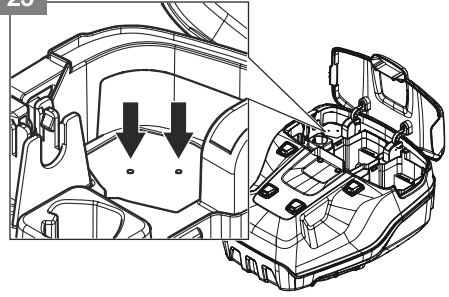




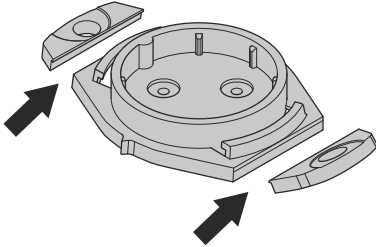
24



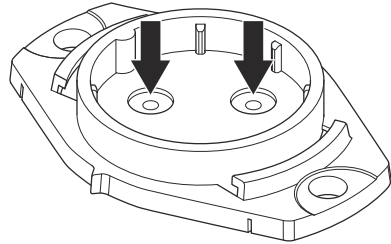
25



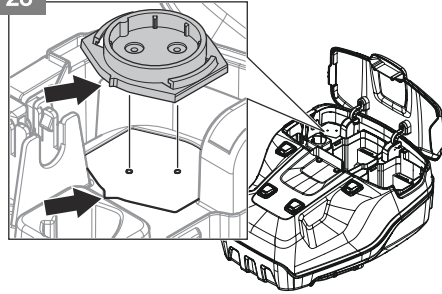
26



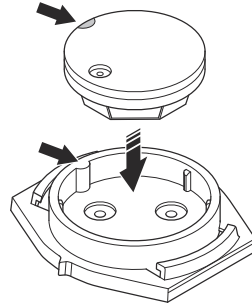
27



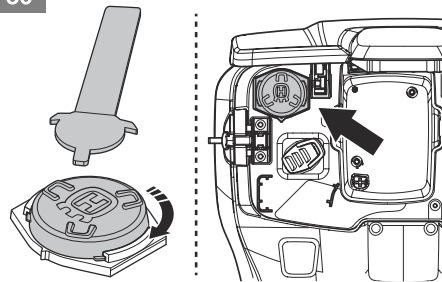
28



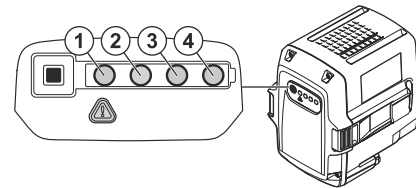
29



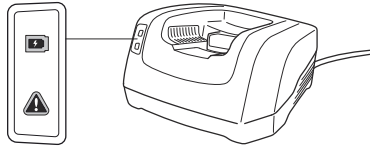
30



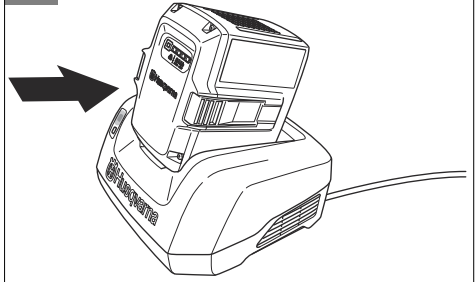
31



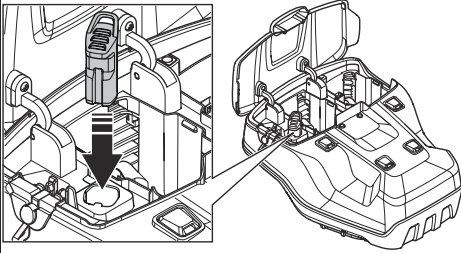
32



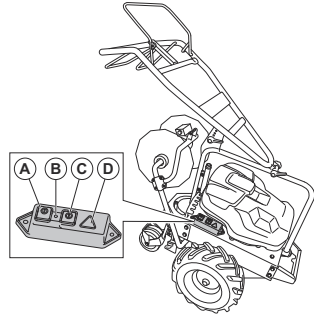
33



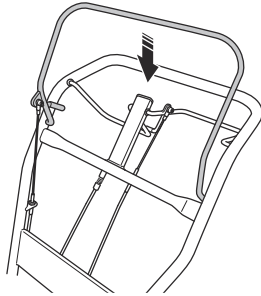
34



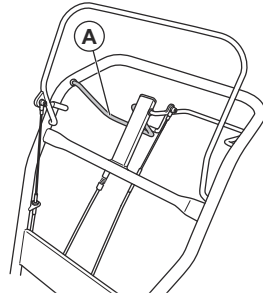
35



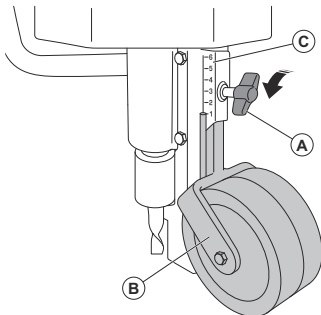
36



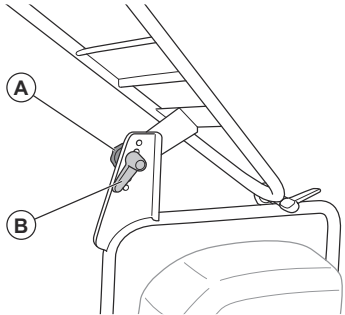
37

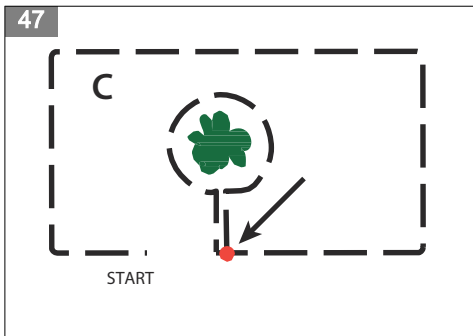
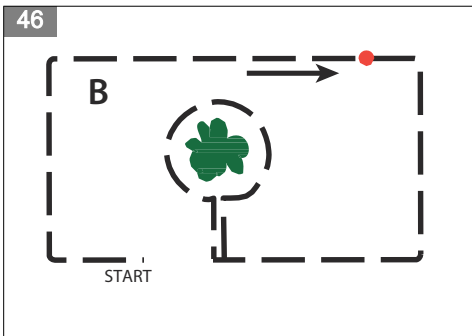
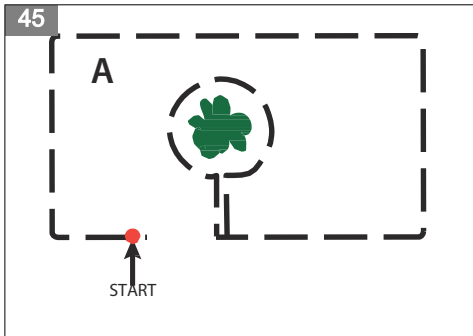
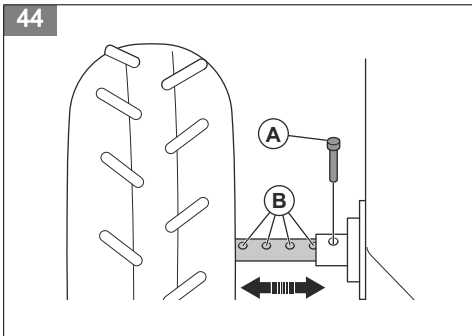
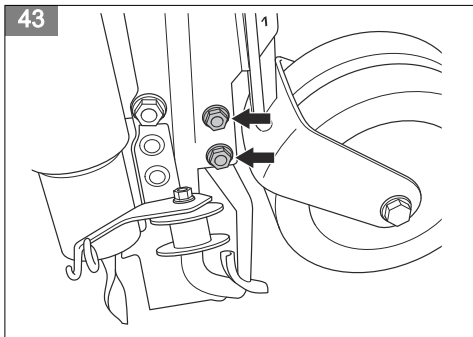
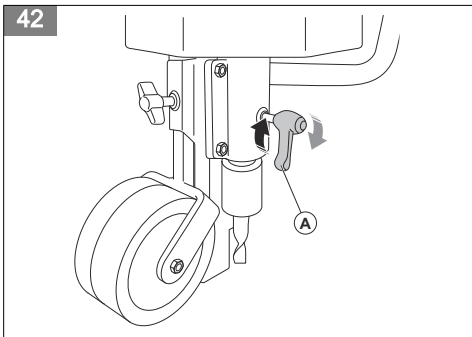
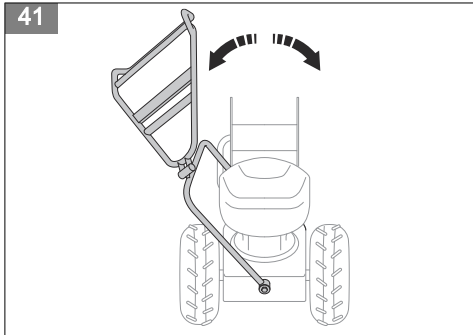
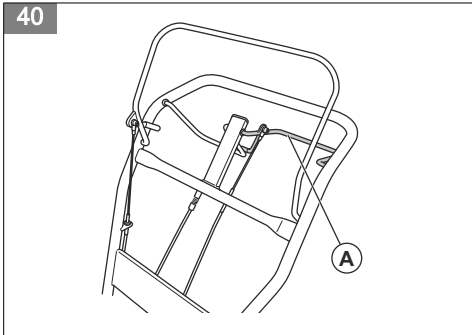


38



39





48

D



START

49

E



START

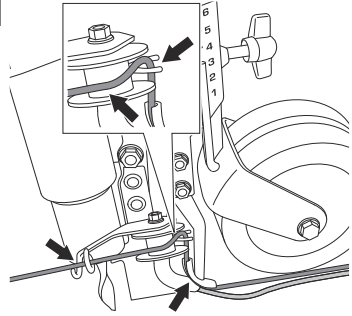
50

F



START

51



52

G



START

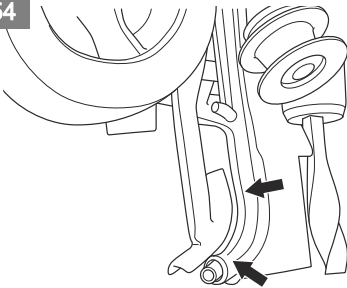
53

H

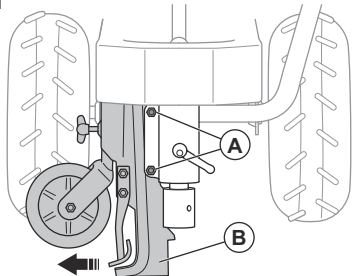


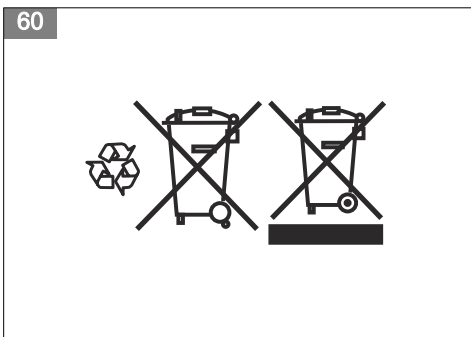
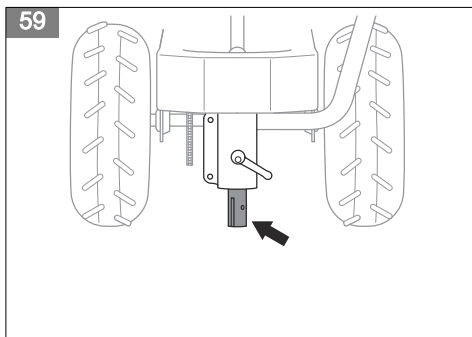
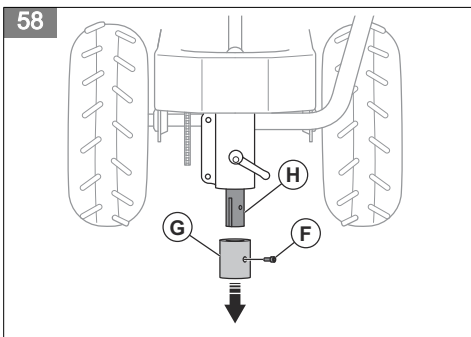
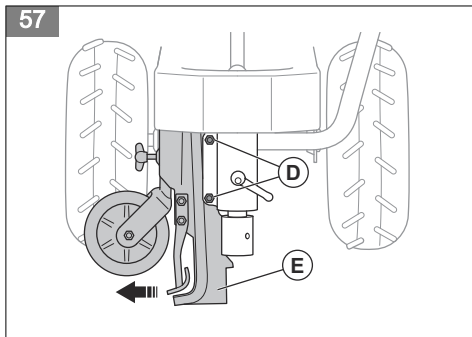
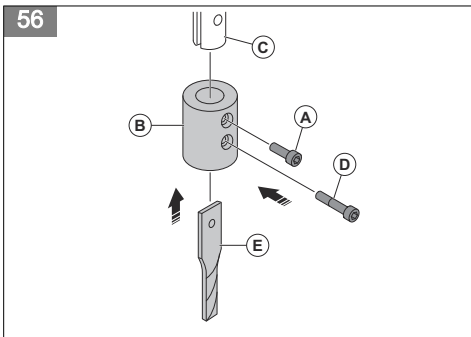
STOP

54



55







---

# Contents

---

Introduction.....	9	Troubleshooting.....	19
Safety.....	10	Transportation, storage and disposal.....	21
Assembly.....	14	Technical data.....	21
Operation.....	14	Declaration of Conformity.....	23
Maintenance.....	17		

---

## Introduction

---

### Product description

The product is a pedestrian-controlled cable layer.

### Intended use

Use the product to put boundary wire and guide wire for robotic lawn mowers into the ground. Do not use the product for other tasks.

### Product overview

(Fig. 1)

1. Drill operation bail
2. Handlebar tilt bail
3. Drive bail
4. Counter
5. Cable winder
6. Feeding fin
7. Drill
8. Control panel
9. Safety key
10. Battery (Accessory)
11. Battery charger (Accessory)
12. Operator's manual

(Fig. 11)

The product or package of the product is not domestic waste. Recycle it at a recycling station for electrical and electronic equipment.

(Fig. 12)

The product agrees with the applicable EC directives.

(Fig. 13)

This product conforms to the applicable UK regulations.

(Fig. 14)

Noise emission to the environment label as per EU and UK directives and regulations, and New South Wales legislation "Protection of the Environment Operations (Noise Control) Regulation 2017". The guaranteed sound power level of the product is specified in *Technical data on page 21* and on the label.

### Symbols on the product

(Fig. 2)

WARNING

(Fig. 3)

Warning: Rotating parts. Keep hands and feet away.

(Fig. 4)

Look out for thrown objects and ricochets.

(Fig. 5)

Read the instructions.

(Fig. 6)

Keep persons and animals at a safe distance from the work area.

(Fig. 7)

Risk of eye injury to bystanders.

(Fig. 8)

Do not expose to rain.

(Fig. 9)

Use protective visor.

(Fig. 10)

Standby mode (black button).

(Fig. 10)

Start and stop the motor (red button).

(Fig. 15)

The product is drip protected.

---

**Note:** Other symbols/decals on the product refer to certification requirements for some markets.

---

### Product damage

We are not responsible for damages to our product if:

- the product is incorrectly repaired.
- the product is repaired with parts that are not from the manufacturer or not approved by the manufacturer.
- the product has an accessory that is not from the manufacturer or not approved by the manufacturer.
- the product is not repaired at an approved service center or by an approved authority.

---

# Safety

---

## Safety definitions

Warnings, cautions and notes are used to point out specially important parts of the manual.



**WARNING:** Used if there is a risk of injury or death for the operator or bystanders if the instructions in the manual are not obeyed.



**CAUTION:** Used if there is a risk of damage to the product, other materials or the adjacent area if the instructions in the manual are not obeyed.

**Note:** Used to give more information that is necessary in a given situation.

## General product safety warnings



**WARNING:** Read all safety warnings, instructions, illustrations and specifications provided with this product. Failure to follow all instructions listed below may result in electric shock, fire and/or serious injury.

**Save all warnings and instructions for future reference.**

The term "product" in the warnings refers to your mains-operated (corded) product or battery-operated (cordless) product.

### Work area safety

- **Keep work area clean and well lit.** Cluttered or dark areas invite accidents.
- **Do not operate the product in explosive atmospheres, such as in the presence of flammable liquids, gases or dust.** The product create sparks which may ignite the dust or fumes.
- **Keep children and bystanders away while operating the product.** Distractions can cause you to lose control.

### Electrical safety

- **Product plugs must match the outlet. Never modify the plug in any way. Do not use any adapter plugs with earthed (grounded) products.** Unmodified plugs and matching outlets will reduce risk of electric shock.
- **Avoid body contact with earthed or grounded surfaces, such as pipes, radiators, ranges and refrigerators.** There is an increased risk of electric shock if your body is earthed or grounded.

- **Do not expose products to rain or wet conditions.** Water entering a product will increase the risk of electric shock.
- **Do not abuse the cord. Never use the cord for carrying, pulling or unplugging the product. Keep cord away from heat, oil, sharp edges or moving parts.** Damaged or entangled cords increase the risk of electric shock.
- **When operating a product outdoors, use an extension cord suitable for outdoor use.** Use of a cord suitable for outdoor use reduces the risk of electric shock.
- **If operating a product in a damp location is unavoidable, use a residual current device (RCD) protected supply.** Use of an RCD reduces the risk of electric shock.

### Personal safety

- **Stay alert, watch what you are doing and use common sense when operating a product. Do not use a product while you are tired or under the influence of drugs, alcohol or medication.** A moment of inattention while operating products may result in serious personal injury.
- **Use personal protective equipment. Always wear eye protection.** Protective equipment such as dust mask, non-skid safety shoes, hard hat or hearing protection used for appropriate conditions will reduce personal injuries.
- **Prevent unintentional starting. Ensure the switch is in the off-position before connecting to power source and/or battery pack, picking up or carrying the product.** Carrying products with your finger on the switch or energising products that have the switch on invites accidents.
- **Remove any adjusting key or wrench before turning the product on.** A wrench or a key left attached to a rotating part of the product may result in personal injury.
- **Do not overreach. Keep proper footing and balance at all times.** This enables better control of the product in unexpected situations.
- **Dress properly. Do not wear loose clothing or jewellery. Keep your hair and clothing away from moving parts.** Loose clothes, jewellery or long hair can be caught in moving parts.
- **If devices are provided for the connection of dust extraction and collection facilities, ensure these are connected and properly used.** Use of dust collection can reduce dust-related hazards.
- **Do not let familiarity gained from frequent use of products allow you to become complacent and ignore product safety principles.** A careless action can cause severe injury within a fraction of a second.

## Product use and care

- **Do not force the product. Use the correct product for your application.** The correct product will do the job better and safer at the rate for which it was designed.
- **Do not use the product if the switch does not turn it on and off.** Any product that cannot be controlled with the switch is dangerous and must be repaired.
- **Disconnect the plug from the power source and/or remove the battery pack, if detachable, from the product before making any adjustments, changing accessories, or storing products.** Such preventive safety measures reduce the risk of starting the product accidentally.
- **Store idle products out of the reach of children and do not allow persons unfamiliar with the product or these instructions to operate the product.** Products are dangerous in the hands of untrained users.
- **Maintain products and accessories. Check for misalignment or binding of moving parts, breakage of parts and any other condition that may affect the product's operation. If damaged, have the product repaired before use.** Many accidents are caused by poorly maintained products.
- **Keep cutting tools sharp and clean.** Properly maintained cutting tools with sharp cutting edges are less likely to bind and are easier to control.
- **Use the product, accessories and tool bits etc. in accordance with these instructions, taking into account the working conditions and the work to be performed.** Use of the product for operations different from those intended could result in a hazardous situation.
- **Keep handles and grasping surfaces dry, clean and free from oil and grease.** Slippery handles and grasping surfaces do not allow for safe handling and control of the product in unexpected situations.

## Service

- **Have your product serviced by a qualified repair person using only identical replacement parts.** This will ensure that the safety of the product is maintained.
- **Never service damaged battery packs.** Service of battery packs should only be performed by the manufacturer or authorized service providers.

## Battery tool use and care

- **Recharge only with the charger specified by the manufacturer.** A charger that is suitable for one type of battery pack may create a risk of fire when used with another battery pack.
- **Use products only with specifically designated battery packs.** Use of any other battery packs may create a risk of injury and fire.
- **When battery pack is not in use, keep it away from other metal objects, like paper clips, coins, keys, nails, screws or other small metal objects, that can make a connection from one terminal to another.**

Shorting the battery terminals together may cause burns or a fire.

- **Under abusive conditions, liquid may be ejected from the battery; avoid contact. If contact accidentally occurs, flush with water. If liquid contacts eyes, additionally seek medical help.** Liquid ejected from the battery may cause irritations or burns.
- **Do not use a battery pack or tool that is damaged or modified.** Damaged or modified batteries may exhibit unpredictable behavior resulting in fire, explosion or risk of injury.
- **Do not expose a battery pack or tool to fire or excessive temperature.** Exposure to fire or temperature above 130 °C / 265 °F may cause explosion.
- **Follow all charging instructions and do not charge the battery pack or tool outside the temperature range specified in the instructions.** Charging improperly or at temperatures outside the specified range may damage the battery and increase the risk of fire.

## General safety instructions



**WARNING:** Read the warning instructions that follow before you use the product.

- This product is dangerous if used incorrectly or if you are not careful. Injury or death can occur if you do not obey the safety instructions.
- This product produces an electromagnetic field during operation. This field may under some circumstances interfere with active or passive medical implants. To reduce the risk of serious or fatal injury we recommend persons with medical implants to consult their physician and the medical implant manufacturer before operating this product.
- Always be careful and use your common sense. If you are not sure how to operate the product in a special situation, stop and speak to your Husqvarna dealer before you continue.
- Keep in mind that the operator will be held responsible for accidents that involve other persons or their property.
- Keep the product clean. Make sure that you can clearly read signs and decals.
- Never allow children or people unfamiliar with these instructions to use the appliance. Local regulations may restrict the age of the operator.
- Always monitor a person, with decreased physical capacity or mental capacity, that uses the product. A responsible adult must be there at all times.
- Do not use the product if you are tired, ill, or under the influence of alcohol, drugs or medicine. This has a negative effect on your vision, alertness, coordination and judgment.
- Do not use the product if it is damaged or does not operate correctly.

- Do not change this product or use it if it is possible that it has been changed by others.

## Work safety



**WARNING:** Read the warning instructions that follow before you use the product.

- Use the product to put boundary wire and guide wire for robotic lawn mowers into the ground. Do not use the product for other tasks.
- Use personal protective equipment. Refer to *Personal protective equipment on page 12*.
- Make sure that you know how to stop the motor quickly in an emergency.
- Do not operate the product in rain or wet conditions. The risk of electrical shock increases if water enters the product.
- Do not operate the product unless the drill and all covers are attached correctly. An incorrectly attached drill can come loose and cause injury.
- Remove objects such as branches, twigs and stones from the work area before you use the product.
- Objects that hit against the cable laying equipment can eject and cause damage to persons and objects. Keep bystanders and animals at a safe distance from the product.
- Never use the product in bad weather such as fog, rain, strong winds, intense cold and risk of lightning. To use the product in bad weather or in moist or wet locations is tiring. Bad weather can cause dangerous conditions, such as slippery surfaces.
- Look out for persons, objects and situations that can prevent safe operation of the product.
- Look out for obstacles, such as roots, stones, twigs, pits and ditches. Long grass can hide obstacles.
- Do not use the product on ground that slopes more than 15°.
- Exercise extreme caution when changing direction on slopes. Operate the product across the face of slopes. Do not move up and down.
- Be careful when you go near hidden corners and objects that prevent a clear view.
- Make sure that the drill does not hit objects such as stones and roots. This can do damage to the drill and bend the motor shaft. A bent motor shaft causes heavy vibration and a very high risk that the drill becomes loose.
- If the drill hits an object or if vibrations occur, stop the product immediately. Stop the motor, pull up the safety key and remove the battery. Wait until moving parts stop. Examine the product for damages. Tighten loose parts. Repair damages and replace damaged parts. Let an approved service agent do the repair.
- Do not attach the drill operation bail permanently to the handle when the motor is started.
- Put the product on a stable, flat surface and start it.

- Always stay behind the product when you operate it.
- Let all the wheels stay on the ground and keep 2 hands on the handle when you operate the product.
- Keep your hands and feet away from the rotating drill.
- Do not tilt the product when you start the motor or during operation of the product.
- Be careful when you pull the product rearward.
- Do not lift up the product when the motor is started. If you must lift the product, first stop the motor, pull up the safety key and remove the battery.
- Do not walk rearward when you operate the product.
- Release the drill operation bail to stop the drill when it is necessary to tilt the product for transportation.
- Do not run with the product when the motor is started. Always walk when you operate the product.
- Stop the motor before you change the cable laying depth. Do not make adjustments with the motor started.
- Do not let the product stay out of view with the motor started. Stop the motor and make sure that the drill does not rotate.
- The vibrations in the product during operation can be different from the declared vibration value in *Technical data on page 21*. The difference is caused by variations in how the product is used. If you operate the product frequently or for long periods of time, take breaks regularly to prevent injury from vibrations.

## Safety instructions for operation

Read the instructions that follow before you use the product.

- Make sure that the cable on the cable guide is intact.
- Make sure that the tube in the feeding fin is intact. Replace the tube if it is worn or damaged.

(Fig. 16)

- Make sure that the edge around the hole is not sharp or damaged. Replace the cable guide if it is damaged.
- Make sure that all screws are tightened.
- Make sure that all levers are in neutral position.

## Personal protective equipment



**WARNING:** Read the warning instructions that follow before you use the product.

- Personal protective equipment cannot fully prevent injury but it decreases the degree of injury if an accident does occur. Let your dealer help you select the right equipment.
- Use heavy-duty slip-resistant boots or shoes. Do not use open shoes or go with bare feet.
- Use heavy, long pants.

- Use protective gloves when necessary, for example when you attach, examine or clean the cable laying equipment.
- We recommend to use hearing protection.

## Safety devices on the product



**WARNING:** Read the warning instructions that follow before you use the product.

- Do not use a product with safety devices that are damaged or do not operate correctly.
- Do not remove or do modifications to safety devices.
- Do a check of the safety devices regularly. If the safety devices are damaged or do not operate correctly, speak to your Husqvarna service agent.

## Safety key

The safety key is below the battery lid. The safety key connects the battery that supplies the motor with power.

### To do a check of the safety key

The safety key connects the battery that supplies the motor with power.

- Start and stop the motor. If the safety key operates correctly, the motor can only start when the key is in the safety lock.

## Drill operation bail

The drill operation bail stops the drill. When the drill operation bail is released, the drill stops.

To do a check of the drill operation bail, start the motor and then release the drill operation bail. If the drill does not stop in 3 seconds, speak to an approved Husqvarna service agent.

(Fig. 17)

## Battery safety



**WARNING:** Read the warning instructions that follow before you use the product.

- Use Husqvarna rechargeable batteries as a power supply for related Husqvarna products only. To prevent injury, do not use the battery as a power supply for other devices.
- Do not use non-rechargeable batteries.
- Risk of electrical shock. Do not connect the battery terminals to keys, coins, screws or other metal. This can cause a short circuit of the battery.
- Do not put objects into the air slots of the battery.
- Keep the battery away from sunlight, heat or open flame. The battery can explode and cause burns and/or chemical burns.
- Keep the battery away from rain and wet conditions.

- Keep the battery away from microwaves and high pressure.
- Do not try to disassemble or break the battery.
- If the battery leaks, do not let the liquid touch your body or eyes. If you have touched the liquid, clean the area with a large quantity of water and get medical aid.
- Use the battery in the product only when the ambient temperature is between 5 °C - 40 °C.
- Use the battery charger only when the ambient temperature is between 5 °C - 40 °C.
- The battery will not charge if the battery temperature is more than 50 °C.
- Do not clean the battery or the battery charger with water. Refer to *To clean the battery and the battery charger on page 19*.
- Do not use a damaged battery.
- Keep batteries in storage away from metal objects such as nails, coins, jewellery.

## Battery charger safety



**WARNING:** Read the warning instructions that follow before you use the product.

- Use the QC battery chargers to charge Husqvarna replacement batteries only.
- Risk of electrical shock or short circuit. Do not put objects into the air slots of the charger. Do not try to disassemble the battery charger. Do not connect the charger terminals to metal objects. Use an approved mains socket.
- This product produces an electromagnetic field during operation. This field may under some circumstances interfere with active or passive medical implants. To reduce the risk of serious or fatal injury, we recommend persons with medical implants to consult their physician and the medical implant manufacturer before operating this product.
- Regularly make sure that the power cord of the battery charger is not damaged and that there are no cracks in it.
- Do not lift the battery charger by the power cord. To disconnect the battery charger from a mains socket, pull out the plug. Do not pull the power cord.
- Keep the power cord and extension cables away from water, oil and sharp edges. Make sure that the cable is not pinched in doors, fences or equivalent. It can cause the charger to become energized.
- Do not clean the battery charger with water.
- The battery charger can be used by children aged from 8 years and above and persons with reduced physical, sensory, or mental capabilities or lack of experience and knowledge if they have been given supervision or instruction concerning use of the battery charger in a safe way and understand the hazards involved. Children shall not play with

the battery charger. Cleaning and user maintenance shall not be made by children without supervision.

- Do not charge non-rechargeable batteries in the battery charger.
- Do not use the battery charger near flammable materials or materials that can cause corrosion. Do not cover the battery charger. Pull out the plug to the battery charger if there is smoke or fire.
- Do not use a damaged battery charger.
- Only charge the battery indoors in a room with good airflow and away from sunlight. Do not charge the battery in wet conditions.

## Safety instructions for maintenance



**WARNING:** Read the warning instructions that follow before you use the product.

- Remove the safety key before you do maintenance on the product.

- Do the maintenance work correctly to increase the lifetime of the product and decrease the risk of accidents. Let an approved service agent do the professional repairs. Speak to your nearest service agent for more information.
- Only do the maintenance work written in this operator's manual.
- Use heavy duty gloves when you touch the cable laying equipment.
- Keep the product clean for the best and safest performance.
- Let your service agent regularly examine the product and make necessary adjustments and repairs.
- Replace damaged, worn or broken parts.
- Obey the instructions for how to change accessories. Only use accessories from the manufacturer.
- When not in operation, keep the product, battery and battery charger apart in a dry, indoor and locked area. Make sure that children and persons that are not approved cannot get access to the product, battery or battery charger.

## Assembly

### Introduction



**WARNING:** Read and understand the safety chapter before you assemble the product.

### To install the drill

1. Put the drill (A) into the drill head (B) and install the long screw (C). (Fig. 18)

**Note:** A 6 mm hex key is necessary to install the drill.

2. Install the drill head on the shaft (D) with the short screw (E).
3. Tighten the screws.

### To install the cable

The product has a clutched cable winder that can be removed.

1. Put the cable onto the cable winder. Use the knob to turn the cable winder clockwise.

**Note:** The cable must be installed clockwise on the cable winder so it unwinds smoothly during operation.(Fig. 19)

2. Push the cable into the tube in the feeding fin (A) until the cable comes out from the bottom (B) approximately 5 cm. (Fig. 20)

### To install and remove the cable winder

1. Loosen the knob (A). (Fig. 21)
2. Remove the retainer (B).
3. Remove the cable winder (C).
4. Install the cable winder (D). Use the adapter if it is necessary. (Fig. 22)
5. Install the retainer (E) and tighten the knob (F).

## Operation

### Introduction



**WARNING:** Before you operate the product, you must read and understand the safety chapter.

### Husqvarna Fleet Services™

Husqvarna Fleet Services™ is a cloud solution that gives the operator an overview of all products that are connected. On this product a Husqvarna Fleet Services™ sensor can be installed. The Husqvarna Fleet Services™ sensor collects product data and lets you connect to the Husqvarna Fleet Services™ system. The Husqvarna Fleet Services™ system reports data such

as operation time, servicing intervals and location of the product.

For more information about Husqvarna Fleet Services™, download the Husqvarna Fleet Services™ app or speak to your Husqvarna representative.

### To prepare the sensor (accessory)

1. Use the sensor key to open the lid of the sensor. (Fig. 23)
2. Remove the sensor.
3. Connect the battery to the sensor. The LED light of the sensor comes on. (Fig. 24)
4. Download the Husqvarna Fleet Services™ app.
5. Log on to the Husqvarna Fleet Services™ app.
6. Do a pairing operation. Refer to *To do a pairing operation between the app and the product on page 15*

### To do a pairing operation between the app and the product

1. Log on to the Husqvarna Fleet Services™ app.
2. Select your product in the app.
3. Scan the code behind the sensor with your mobile device to install the sensor in the app.

**Note:** It is only necessary to do a pairing operation between the app and the product one time.

### To install the sensor

1. Make sure that the sensor is connected to the Husqvarna Fleet Services™ app. Refer to *To do a pairing operation between the app and the product on page 15*.
2. Drill 2 holes by the marks in the enclosure slot. (Fig. 25)

**Note:** Make sure that the holes are the same dimension as the rivets supplied with the sensor.

3. Use a pair of pliers to remove the outer holes on the sensor slot. (Fig. 26)
4. Drill 2 holes by the marks in the sensor slot. (Fig. 27)
5. Align the sensor slot with the enclosure slot. (Fig. 28)
6. Attach the sensor slot with the rivets.
7. Install the sensor in the sensor slot. Align the white mark on the sensor with the mark on the sensor slot. (Fig. 29)
8. Close the lid to the sensor and lock it with the sensor key. Make sure that the top of the Husqvarna "H" points away from the safety key. (Fig. 30)

## Battery



**WARNING:** Before you use the battery, you must read and understand the safety chapter. You must also read and understand the operator's manual for the battery and the battery charger.

Keep the battery and the battery charger in correct ambient temperatures.

	Ambient temperature
Operation of the battery	5 °C - 40 °C
Charging of the battery	5 °C - 40 °C

### Battery status

The display shows the remaining battery capacity and if there are problems with the battery. The battery capacity is shown for 5 seconds after the product is switched off or the battery indicator button is pressed. The warning symbol on the battery is on when an error has occurred. See *Battery on page 20*.

(Fig. 31)

LED lights	Battery status
All LEDs are lit	Fully charged (75-100%)
LED 1, LED 2, LED 3 are lit	The battery is 50%-75% charged
LED 1, LED 2 are lit	The battery is 25%-50% charged
LED 1 is lit	The battery is 0%-25% charged.
LED 1 flashes	The battery is empty. Charge the battery.

### To charge the battery

Charge the battery before the first use. The battery is only 30% charged when supplied to the customer.

**Note:** The battery charger must be connected to the voltage and frequency specified on the rating plate.

The battery does not charge if the battery temperature is above 50°C. The battery charger decreases the temperature of the battery before it starts to charge.

1. Connect one end of the power cord for the battery charger into the socket of the battery charger.

- Connect the other end of the power cord for the battery charger in an grounded mains socket. The LED on the battery charger flashes green one time. (Fig. 32)
- Put the battery in the battery charger. The green light on the charger comes on when the battery is correctly connected to the battery charger. (Fig. 33)
- When all LEDs on the battery have come on the battery is fully charged. Charge the battery for maximum 24 hours.
- To disconnect the battery charger from the mains socket, pull the plug, not the power cord.
- Remove the battery from the battery charger.

### Battery charging status

A Husqvarna Li-ion battery can be charged or used at all charging levels. The battery is not damaged. A fully charged battery will not decrease its charge when the battery is left in the charger.

LED display	Charging status
LED 1 flashes	0%-25%
LED 1 is lit, LED 2 flashes	25%-50%
LED 1, LED 2 are lit, LED 3 flashes	50%-75%
LED 1, LED 2, LED 3 are lit, LED 4 flashes	75%-100%
LED 1, LED 2, LED 3, LED 4 are lit	Fully charged

### To do before you operate the product

- Water the ground the day before operation during the summertime or if the soil is dry.
- Make sure that people, animals are at least 20 m away from the product.
- Put the cable onto the cable winder. Refer to *To install the cable on page 14*.
- Adjust the cable laying depth. Refer to *To adjust the cable laying depth on page 16*.
- Attach the end of the cable to a stake.

### To start the product

- Tilt the handlebar to the side. Refer to *To tilt the handlebar on page 16*.
- Open the battery lid.
- Put a charged battery in battery slot number 1 below the battery lid. For longer operation time, put a second charged battery in battery slot number 2.
- Disconnect the safety key from the safety key holder.
- Push the safety key into the safety lock. (Fig. 34)
- Stay behind the product.

- Push the standby button (A) on the control panel. The standby light (B) comes on. (Fig. 35)
- Push the start/stop button (C) until it stays pushed in. The motor starts.



**CAUTION:** Do not operate the product if the warning light (D) flashes red.

- Push the drill operation bail in the direction of the handlebar to engage the drill. (Fig. 36)

### To use the drive on the wheels

- Pull the drive control bail (A) in the direction of the handlebar to engage the drive on the wheels. (Fig. 37)
- Release the drive control bail to disengage the drive on the wheels.

### To adjust the cable laying depth

- Loosen the knob (A). (Fig. 38)
- Adjust the support wheel (B) to the necessary cable laying depth and tighten the knob.

**Note:** The numbers (C) on the side of the support wheel tube show the cable laying depth in cm. The cable laying depth can be adjusted between 1–6 cm.

### To adjust the height of the handlebar

The height of the handlebar can be adjusted into 5 positions.

- Turn the handle (A) counterclockwise to loosen it and remove the knob (B). (Fig. 39)
- Adjust the height of the handlebar and install the knob in the hole of the nearest position.
- Turn the handle clockwise to tighten it.

### To tilt the handlebar

You can tilt the handlebar to prevent that obstacles hit you when you operate the product. The handlebar can be tilted in 4 positions on the right side and 4 positions on the left side.

- Pull the handlebar tilt bail (A) in the direction of the handlebar fully and hold it. The handlebar tilt bail is on the lower left side of the handlebar. (Fig. 40)
- Tilt the handlebar to 1 of the 4 positions to the left or right side and release the handlebar tilt bail. Make sure that the pin that lock the handlebar position is in 1 of the slots. (Fig. 41)

### To lock the swivel function of the feeding fin

To increase the precision of direction when you put the cable in long straight sections, you can lock the swivel function of the feeding fin.



- Make sure that the feeding fin is in the same direction as the product and tighten the handle (A). (Fig. 42)

## To adjust the cable guide

The product is adjusted for 4 mm cables. If the cable has a larger diameter, the cable guide must be adjusted.

1. Loosen the 2 screws. (Fig. 43)
2. Move the cable guide up a few millimeters.
3. Tighten the 2 screws.

## To adjust the track width

The position of the wheels can be adjusted for different track widths. There are 4 adjustment holes in the axle on the left side and 4 adjustment holes in the axle on the right side. The track width can be adjusted at 250, 270, 290 or 310 mm from the center of the drill. (Fig. 44)

1. Pull out the pin (A).
2. Adjust the wheels to the necessary track width.
3. Put the pin in one of the 4 holes (B) in the axle.
4. Lock the safety spring.

## To start the work

After the cable and the drill are installed, the operator need to fix the cable to the ground.

1. Put a stake into the ground.
2. Fasten the part of the cable that comes out from the bottom of the cable guide to the stake.

## To use the 2-cable guide

If the product goes away from the outer perimeter of the work area, it is necessary to put 2 cables at the same time.

1. Plough down 1 cable along the entire perimeter. Refer to figure (A) and (B). (Fig. 45) (Fig. 46)
2. When you are at the point shown in figure (C), put the support wheel in the highest position to remove the feeding fin from the soil. Attach the cable with a stake and continue with the cable above the soil until you are the next point. (Fig. 47)

3. Attach the cable with a stake at the point shown in figure (D). (Fig. 48)
4. Put the feeding fin in the correct cable laying depth and continue to plough the cable to create the island. Refer to figure (E). (Fig. 49)
5. When you reach the point indicated in the figure (F), remove the stake and clean the feeding fin. Refer to *To clean the feeding fin on page 18*. (Fig. 50)
6. Assemble the cable above ground in the cable guide. (Fig. 51)
7. Plough the 2 cables at the same time to the point shown in figure (G). Attach the 2 cables to a stake and disconnect the second cable from the cable guide. (Fig. 52)
8. Continue to plough the perimeter cable to the point shown in figure (H). (Fig. 53)

## To stop the product

The product stops automatically if you do not operate it for 3 minutes.

1. Release the drive bail (A) to disengage the drive on the wheels. (Fig. 37)
2. Release the drill operation bail to stop the drill. (Fig. 17)
3. Push the start/stop button on the control panel.
4. Push the standby button on the control panel.
5. Open the battery lid.
6. Remove the safety key from the safety lock and put it in the safety key holder.
7. Use the scraper to clean the feeding fin. Refer to *To clean the feeding fin on page 18*.
8. Clean and lubricate the drill head after each operation. Refer to *To clean and lubricate the drill head on page 18*.

---

# Maintenance

---

## Introduction



**WARNING:** Before you do maintenance, you must read and understand the safety chapter.

For all servicing and repair work on the product, special training is necessary. We guarantee the availability of professional repairs and servicing.

For more detailed information, refer to [www.husqvarna.com](http://www.husqvarna.com).

## Maintenance schedule

The maintenance intervals are calculated from daily use of the product. The intervals change if the product is not used daily.

For maintenance identified with \*, refer to *Safety devices on the product on page 13*.

	Each use	Monthly	Each season
Do a general inspection.	X		
Make sure that the safety devices on the product are not defective *.	X		
Examine the drill and the feeding fin.	X		
Do a check of the drill operation bail *.	X		
Make sure that the start/stop button operates correctly and is not defective.	X		
Examine the battery for damage.	X		
Do a check of the battery charge.	X		
Make sure that the release buttons on the battery operates correctly and that the battery locks into the product.	X		
Clean the air intakes on the motor. Make sure that the air intakes does not have grass or dirt on them.	X		
Lubricate unpainted parts.	X		
Lubricate parts where the zinc plating has been worn.	X		
Clean and lubricate the drill head.	X		
Clean the feeding fin.	X		
Examine the battery charger for damage and make sure that it operates correctly.		X	
Examine the connections between the battery and the product. Also examine the connection between the battery and the battery charger.			X

## To clean the feeding fin

- Use the scraper to remove soil and clean the feeding fin. (Fig. 54)

## To replace the feeding fin

1. Tilt the product forward and put it slowly on the ground.
2. Remove the 2 screws (A) and the feeding fin (B). (Fig. 55)
3. Install the new feeding fin in the opposite sequence.

## To replace the drill

1. Remove grass and dirt from the product.



**CAUTION:** Make sure that dirt or other unwanted materials do not enter the drill during the process of installation.

**Note:** Clean and lubricate the housing of the drill each time after work.

2. Remove the short screw (A) and the drill head (B) from the shaft (C). (Fig. 56)

**Note:** A 6 mm hex key is necessary to replace the drill.

3. Remove the long screw (D) and the drill (E) from the drill head.
4. Put a new drill into the drill head and install the long screw.
5. Install the drill head on the shaft.
6. Tighten the screws.

## To clean and lubricate the drill head

Clean the drill head fully after each operation.

1. Tilt the product forward and put it slowly on the ground.
2. Remove grass, dirt and unwanted materials with a soft brush.
3. Use compressed air to remove smaller particles of grass and dirt.
4. Remove the screws (A) from the drill head (B) and remove the drill (C). (Fig. 56)
5. Loosen the 2 screws (D) and remove the feeding fin (E). (Fig. 57)

6. Remove the screw (F) and remove the drill head (G) from the shaft (H). (Fig. 58)
7. Use compressed air to clean the product. Make sure that all dirt, grass and other unwanted materials are removed.
8. If it is necessary, remove dirty grease with an applicable solvent.
9. Clean all components with an applicable solvent and lubricate all components.
10. Apply water-repellent grease on the shaft. (Fig. 59)



**WARNING:** Do not use any chemical substances to clean the battery.

- Make sure that the battery and the battery charger are clean and dry before you put the battery into the battery charger.
- Clean the battery terminals with compressed air or use a soft and dry cloth.
- Clean the surfaces of the battery and the battery charger with a soft and dry cloth.

## To clean the battery and the battery charger



**WARNING:** Do not clean the battery or the battery charger with water.

## Troubleshooting

### Troubleshooting

If you cannot find a solution to your problems in this manual, speak to your Husqvarna service agent.

Problem	Cause
The motor does not start.	The battery is not charged.
	The battery is not installed correctly.
	The battery is defective.
	The control panel is defective.
The drill does not rotate.	The belt is worn out.
	The belt has moved out of the pulleys.
	The lever does not put sufficient tension on the belt.
The drill continues to rotate when the drill operation bail is released.	The wire from the drill operation bail is worn or damaged.
The product does not operate correctly.	The drill is worn or damaged.
	The drill is not installed correctly.
The product does not move when the drive bail is engaged.	The wire from the drive bail is worn or damaged.
	The transmission belts are worn.
	The chain is broken or does not have sufficient tension.
	The clutch discs in the transmission housing are worn.
The drill head cannot be removed.	There is unwanted material in the unit.
	There is oxide in the system.

Problem	Cause
The insulation of the cable put into the ground is damaged.	The cable outlet hole on the feeding fin is damaged.
	The tube that contains the cable and which is part of the feeding fin is dirty.

## Battery

LED on the battery	Cause	Solution
The green LED flashes.	The battery voltage is low.	Charge the battery. Refer to <i>To charge the battery on page 15</i> .
The error LED flashes.	The battery is weak.	Charge the battery. Refer to <i>Battery on page 20</i> .
	The temperature in the work environment is too high or too low.	Use the battery in temperatures between -10°C and 40°C.
	Overvoltage.	Make sure that the mains voltage is the same as on the rating plate on the product. Remove the battery from the battery charger. Wait 5 seconds and try again to charge the battery. If the problem continues, speak to an approved service agent.
The error LED is on.	The cell difference too much (1V).	Speak to an approved service agent.

## Battery charger

LED on the battery charger	Cause	Solution
The error LED flashes.	The temperature in the work environment is too high or too low.	Use the battery charger in temperatures between 5°C and 40°C.
The error LED is on.		Speak to an approved service agent.

## Control panel

Error code (number of flashes)	Possible faults	Possible procedure
5	The motor speed decreases too much, and the motor stops.	Clean the drill head and decrease the cable laying depth. Refer to <i>To clean and lubricate the drill head on page 18</i> and <i>To adjust the cable laying depth on page 16</i> . If the error stays, speak to your approved service agent.
8	The battery is weak.	Charge the battery. Refer to <i>To charge the battery on page 15</i> .
9	Battery error or no signal from battery.	Put the battery in the product correctly and examine the battery connector. If the error LED on the battery flashes, refer to <i>Battery on page 20</i> .

Error code (number of flashes)	Possible faults	Possible procedure
10	The motor control is too hot.	Stop the motor and wait until it is cool.
Other errors	If other errors occur, remove the safety key and the battery and speak to an approved service agent.	

## Transportation, storage and disposal

### Introduction



**WARNING:** To prevent unintentional start during transport pull up the safety key, remove the battery and wait at least 5 seconds.

### Transportation

- The Dangerous Goods Legislation requirements apply to the contained Li-ion batteries.
- For commercial transports special requirements on package and labels must be obeyed.
- Make sure that you obey the regulations for dangerous material when you prepare the product for transport. Local regulations can apply.
- Always remove the battery for transport.
- Put tape on the battery connectors and make sure that the battery cannot move around during transport.
- Attach the product during transport.

### Storage

- Before storage, let the product become cool.
- Always remove the battery for storage.
- To prevent accidents, make sure that the battery is not connected to the product during storage.
- Keep the battery charger in a closed and dry space.
- Keep the battery and the battery charger in a dry space where there is no moisture or frost.
- Disconnect the battery from the battery charger during storage.
- Do not keep the battery where static electricity can occur. Do not keep the battery in a metal box.

- Keep the product where the ambient temperature is between -10°C and 40°C.
- Keep the battery where the ambient temperature is between 5°C and 25°C and out of sunlight.
- Keep the battery charger where the ambient temperature is between 5°C and 45°C and out of sunlight.
- Make sure that the battery is charged to 30% - 50% before you put it in storage for long periods.
- Keep the product, battery and battery charger in a locked area out of reach for children and not approved persons.
- Clean the product.
- Do the maintenance procedures given in this operator's manual. Refer to *Maintenance schedule on page 17*.
- Do a complete servicing before you put the product in storage for a long time.

### Disposal

Symbols on the product or the packaging of the product indicate that this product cannot be handled as domestic waste. It must be submitted to an appropriate recycling station for the recovery of electrical and electronic equipment.

By ensuring that this product is taken care of correctly, you can help to counteract the potential negative impact on the environment and people that can otherwise result through the incorrect waste management of this product. For more detailed information about recycling this product, contact your municipality, your domestic waste service or the shop from where you purchased the product.

(Fig. 60)

## Technical data

Drilling motor	
Motor type	BLDC (brushless) 36V
Motor speed – nominal, rpm	3000/min
Motor speed – high load, rpm	3300/min

Motor output – maximum, kW	1.8
Motor output – nominal, kW	1.2
Transmission	Mechanical gearbox with oil bath gears
Clutch	Belt-type, with pulley
<b>Weight</b>	
Weight without battery, kg	39
Weight including 2 x BLi300, kg	43
<b>Battery</b>	
Type of battery	Husqvarna Battery series
<b>Battery runtime</b>	
Battery runtime, min <sup>1</sup>	38
<b>Noise emissions <sup>2</sup></b>	
Sound power level, measured L <sub>WA</sub> dB (A)	84
Sound power level, guaranteed L <sub>WA</sub> dB (A)	86
<b>Sound levels <sup>3</sup></b>	
Sound pressure level at the operator's ear, dB (A)	66
<b>Vibration levels <sup>4</sup></b>	
Handle m/s <sup>2</sup>	1.8
<b>Cable laying equipment</b>	
Cable laying depth, cm	1–6
Distance between drill and wheel edge, mm	250, 270, 290, 310
Drill	597 04 84-01

Approved batteries	Brand	Type	Battery capacity, Ah	Voltage, V	Weight, lb/kg
BLi300	Husqvarna	Lithium-ion	9.4	36	4.1/1.9

Approved chargers for the specified batteries, BLi	Brand	Input voltage, V	Frequency, Hz	Power, W
QC500	Husqvarna	100–240	50–60	500

<sup>1</sup> Free run, measured with standard mode activated and 1 Husqvarna 9.4 Ah battery (BLi300).

<sup>2</sup> Noise emissions in the environment measured as sound power (L<sub>WA</sub>) in conformity with EC directive 2000/14/EC.

<sup>3</sup> Reported data for noise pressure level has a typical statistical dispersion (standard deviation) of 1.2 dB (A).

<sup>4</sup> Reported data for vibration level has a typical statistical dispersion (standard deviation) of 0.2 m/s<sup>2</sup>. Vibration standard EN 1032+A1:2009.

---

# Declaration of Conformity

---

## EU Declaration of Conformity

We, **Husqvarna AB**, SE-561 82 Huskvarna, Sweden, tel: +46-36-146500, declare on our sole responsibility that the product:

<b>Description</b>	Cable layer
<b>Brand</b>	Husqvarna
<b>Type / Model</b>	CL400i
<b>Identification</b>	Serial numbers dating from 2022 and onwards

complies fully with the following EU directives and regulations:

<b>Regulation</b>	<b>Description</b>
2006/42/EC	"relating to machinery"
2014/30/EU	"relating to electromagnetic compatibility"
2011/65/EU	"on the restriction of the use of certain hazardous substances in electrical and electronic equipment"

and that the following standards and/or technical specifications are applied: EN ISO 12100:2010, EN ISO 14119:2013, EN ISO 14120:2015, EN ISO 13857:2019, EN 62841-1:2015+AC:2015, EN ISO 11202:2010, EN 1032:2009, EN 55014-1:2017, EN 55014-2:2015, EN 63000:2018.

For information relating to noise emissions, refer to *Technical data on page 21*.

Huskvarna, 2022-03-21



Claes Losdal, Development Manager/Garden Products,  
Husqvarna AB

Responsible for technical documentation



## UK Declaration of Conformity

We, **Husqvarna AB**, SE-561 82 Huskvarna, Sweden, tel: +46-36-146500, declare on our sole responsibility that the product:

<b>Description</b>	Cable layer
<b>Brand</b>	Husqvarna
<b>Type / Model</b>	CL400i
<b>Identification</b>	Serial numbers dating from 2022 and onwards

complies fully with the following UK regulations:

<b>Description</b>
The Supply of Machinery (Safety) Regulations 2008
Electromagnetic Compatibility Regulations 2016
The Restriction of the Use of Certain Hazardous Substances in Electrical and Electronic Equipment Regulations 2012

and that the following standards and/or technical specifications are applied: EN ISO 12100:2010, EN ISO 14119:2013, EN ISO 14120:2015, EN ISO 13857:2019, EN 62841-1:2015+AC:2015, EN ISO 11202:2010, EN 1032:2009, EN 55014-1:2017, EN 55014-2:2015, EN 63000:2018.

For information relating to noise emissions, refer to *Technical data on page 21*.

Huskvarna, 2022-03-21



Claes Losdal, Development Manager/Garden Products,  
Husqvarna AB

Responsible for technical documentation

**UK  
CA**

UK Importer:  
Husqvarna UK Ltd  
Preston Road, Co. Durham  
DL5 6UP



---

## Съдържание

---

Въведение.....	25	Отстраняване на проблеми.....	37
Безопасност.....	26	Транспортиране, съхранение и изхвърляне.....	39
Монтаж.....	31	Технически характеристики.....	40
Операция.....	32	Декларация за съответствие.....	42
Поддръжка.....	35		

---

## Въведение

---

### Описание на продукта

Този продукт е пешеходно управлявана машина за полагане на кабел.

косачки-роботи в земята. Не използвайте продукта за други задачи.

### Предназначение

Използвайте продукта за полагане на граничен електрически проводник и водещ проводник за

### Общ преглед на продукта

(Фиг. 1)

1. Дръжка за работа с бормашината
2. Дръжка за накланяне на ръкохватката
3. Дръжка за задвижване
4. Брояч
5. Уред за навиване на кабела
6. Подаващо крило
7. Бормашина
8. Табло за управление
9. Ключ за безопасност
10. Акумулатор (Принадлежност)
11. Зарядно устройство за акумулатор (Принадлежност)
12. Инструкция за експлоатация

(Фиг. 8) Не излагайте на дъжд.

(Фиг. 9) Използвайте защитна козирка.

(Фиг. 10) Режим на готовност (черен бутон).

(Фиг. 10) Стартиране и спиране на двигателя (червен бутон).

(Фиг. 11) Продуктът или опаковката на продукта не е битов отпадък. Рециклирайте го в станция за рециклиране за електрическо и електронно оборудване.

(Фиг. 12) Продуктът е в съответствие с приложимите директиви на ЕО.

### Символи върху продукта

(Фиг. 2) ПРЕДУПРЕЖДЕНИЕ

(Фиг. 13) Този продукт съответства на приложимите регламенти на Обединеното кралство.

(Фиг. 3) Предупреждение: Въртящи се части. Дръжте ръцете и краката си настрана.

(Фиг. 14) Етикет за шумовите емисии за околната среда съгласно директивите и регламентите на ЕС и Обединеното кралство и законодателството на Нов Южен Уелс "Регламент 2017 относно защитата от дейности, оказващи влияние на околната среда (контрол на шума)". Гарантираното ниво на звуковата мощност на продукта е посочено в *Технически характеристики на страница 40* и на етикета.

(Фиг. 4) Пазете се от отскачащи предмети и рикшети.

(Фиг. 5) Прочетете инструкциите.

(Фиг. 6) Дръжте хората и животните на безопасно разстояние от работната площ.

(Фиг. 7) Риск от нараняване на очите на минавачите.

(Фиг. 15) Този продукт е защитен от капки.

---

**Забележка:** Останалите символи/стикери на продукта се отнасят до изисквания по отношение на сертификата за определени пазари.

---

## Повреда на продукта

Ние не носим отговорност за повреди по нашия продукт, ако:

- продуктът е неправилно ремонтиран.
- продуктът е ремонтиран с части, които не са от производителя или не са одобрени от производителя.
- продуктът има принадлежност, която не е от производителя или не е одобрена от производителя.
- продуктът не е ремонтиран в одобрен сервизен център или от одобрен орган.

---

## Безопасност

---

### Дефиниции за безопасност

Предупреждения, знаци за внимание и бележки се използват за указване на особено важни части на инструментариите.



**ПРЕДУПРЕЖДЕНИЕ:** Използва се, ако има опасност от нараняване или смърт за оператора или за околните, ако не се спазват инструкциите в ръководството.



**ВНИМАНИЕ:** Използва се, ако има опасност от повреждане на машината, други материали или съседната зона, ако не се спазват инструкциите в ръководството.

---

**Забележка:** Използва се за предоставяне на повече информация, която е необходима в дадена ситуация.

---

### Общи предупреждения за безопасност за продукта



**ПРЕДУПРЕЖДЕНИЕ:** Прочетете всички предупреждения за безопасност, инструкции, илюстрации и спецификации, предоставени с този продукт. Неспазването на всички инструкции, изброени по-долу, може да доведе до електрически удар, пожар и/или сериозно нараняване.

---

**Запазете всички предупреждения и инструкции за бъдещи справки.** Терминът "продукт" в предупрежденията се отнася за продукт с електрическо задвижване (с кабел) или такъв с акумулаторна батерия (безжичен).

### Безопасност на работната област

- **Поддържайте работната област работния участък чиста и добре осветена.** Мръсните и тъмните области са по-предразполагащи към инциденти.

- **Не работете с продукта в експлозивна среда, като например в присъствието на запалителни течности, газове или прах.** Продуктът създава искри, които може да запалят праха или дима.
- **Дръжте децата и околните настрана, докато работите с продукта.** Разсейването може да доведе до загуба на контрол.

### Електрическа безопасност

- **Щепселите на продукта трябва да съответстват на контакта. Никога не променяйте щепселите по какъвто и да било начин. Не използвайте никакви адаптерни щепсели със заземени продукти.** Немодифицираните щепсели и съответстващи им контакти ще намалят рисковете от токов удар.
- **Избягвайте контакт на тялото със заземени или замасени повърхности, като тръби, радиатори и хладилници.** Има повишен риск от електрически удар, ако Вашето тяло е заземено или замасено.
- **Не излагайте продуктите на дъжд или мокра околна среда.** Навлизането на вода в продукта повишава риска от токов удар.
- **Не насилвайте кабела. Никога не използвайте кабела за носене, дърпане или изключване на продукта от мрежата. Пазете шнура далече от топлинни източници, масло, остри ръбове или движещи се части.** Повредените или заплетени кабели увеличават риска от токов удар.
- **Когато работите с продукта навън, използвайте удължителен кабел, който е подходящ за употреба на открито.** Кабелът, който е подходящ за употреба на открито, намалява риска от токов удар.
- **Ако работата с електрически инструмент на влажно място е неизбежна, използвайте захранване с устройство за дефектнотокова защита (RCD).** Използването на RCD намалява риска от електрически удар.

### Лична безопасност

- **Бъдете нащрек, внимавайте какво правите и бъдете разсъдливи, когато работите с продукта. Не използвайте продукта, когато сте изморени или когато сте под влиянието на наркотици, алкохол или лекарства.** Един миг невнимание по време на работа с продуктите може да доведе до тежко телесно нараняване.

- **Използвайте лични предпазни средства. Винаги носете защитни средства за очите.** Предпазните средства като респираторна маска, непързлящи се предпазни обувки, твърда каска или антифони, използвани за съответните условия, ще намалят телесните повреди.
- **Не допускате нежелано стартиране. Уверете се, че превключвателят е в изключено положение, преди да свържете захранващия източник и/или акумулаторната батерия, когато вземате или носите продукта.** Носенето на продукти с пръст на превключвателя или включването в мрежата на продукти с прекъсвач във включено положение е предпоставка за злополуки.
- **Отстранете всички ключове за регулиране или гаечни ключове, преди да включите продукта.** Гаечен ключ или ключ, който е оставен присъединен към въртящата се част на продукта, може да доведе до нараняване.
- **Не се протягайте прекалено надалеч, докато работите. Поддържайте съответната стъпка и баланс през цялото време.** Това осигурява по-добър контрол на продукта в неочаквани ситуации.
- **Обличайте се подходящо. Никога не носете широки дрехи или украшения. Дръжте косата и дрехите си далеч от движещите се части на инструмента.** Свободновисящи дрехи, бижута или дълга коса могат да бъдат захванати от движещите се части.
- **Ако са предоставени устройства за свързване на измъкване на прах и съдове за събиране, уверете се, че те са свързани и се използват правилно.** Използването на съдове за събиране на прах може да намали опасностите, свързани с праха.
- **Не позволявайте на натрупания опит от честата употреба на продукти да Ви вдъхне прекомерна увереност и да игнорирате принципите за безопасност.** Едно нехайно действие може да причини сериозно нараняване за част от секундата.
- **Съхранявайте неизползваните продукти на недостъпно за деца място и не разрешавайте на хора, които не са запознати с продукта или с тези инструкции, да работят с него.** Продуктите са опасни в ръцете на необучени потребители.
- **Поддържайте продуктите и принадлежностите. Проверявайте за разцентроване или задиране на движещите се части, счупвания на части или други състояния, които могат да се отразят на работата на продукта. Ако продуктът бъде повреден, дайте го за ремонт, преди да го използвате.** Много инциденти възникват с лошо поддържани продукти.
- **Поддържайте режещите инструменти остри и чисти.** Правилно поддържаните режещи инструменти с остри режещи краища са по-трудни за огъване и се контролират по-лесно.
- **Използвайте продукта, принадлежностите, приставките и др. в съответствие с тези инструкции, като имате предвид условията и естеството на работата, която извършвате.** Използването на продукта за операции, различни от тези, за които е предназначен, може да доведе до опасни ситуации.
- **Поддържайте ръкохватките и повърхностите приставките и др. чисти и без масло и грес.** Хлъзгавите ръкохватки и повърхности за захващане не позволяват безопасно боравене и контрол над продукта при непредвидени ситуации.

## Обслужване

- **Техническото обслужване на Вашия продукт трябва да се извършва от квалифицирано лице, като се използват само идентични резервни части.** Това ще гарантира поддържането на безопасността на продукта.
- **Никога не обслужвайте повредени акумулаторни батерии.** Обслужването на акумулаторни батерии трябва да се извършва само от производителя или оторизирани сервизи.

## Употреба и грижа за инструмента на батерия

- **Не насилвайте продукта. Използвайте подходящия продукт за Вашето приложение.** Подходящият продукт ще свърши работата по-добре и по-безопасно със скоростта, за която е бил създаден.
- **Не използвайте продукта, ако превключвателят не го включва и изключва.** Всеки продукт, който не може да се управлява с превключвателя, е опасен и трябва да бъде ремонтиран.
- **Разкачете щепсела от електрическия източник и/или премахнете акумулаторната батерия от продукта, ако може да се отстрани, преди да правите каквито и да било настройки, да сменяте принадлежности или да съхранявате продукти.** Тези предпазни мерки намаляват риска от нежелано стартиране на продукта.
- **Презареждайте само със зарядно устройство, определено от производителя.** Зарядно устройство, което е подходящо за един вид батерия, може да създаде опасност от злополука, когато се използва с друга батерия.
- **Използвайте продуктите само със специално определените акумулаторни батерии.** Използването на други батерии може да създаде опасност от нараняване и пожар.
- **Когато батерията не е в употреба, дръжте я далече от други метални предмети, като кламери, монети, ключове, пирони, винтове или други, които могат да свържат едната клемма с другата.** Окъсяване на изводите на батерията може да предизвика изгаряния или пожар.

- При злоупотреба от акумулатора може да бъде изхвърлена течност – избягвайте допир. В случай на случаен контакт изплакнете с вода. Ако течността попадне в очите, потърсете допълнителна медицинска помощ. Течност, изхвърлена от акумулатора, може да причини раздразнения или изгаряния.
- Не използвайте акумулаторната батерия или продукт, който е променен или повреден. Повредените или модифицирани батерии могат да имат непредсказуемо поведение, което да доведе до пожар, експлозия или опасност от нараняване.
- Не излагайте акумулаторната батерия или уреда на огън или прекомерна температура. Излагането на огън или температура над 130°C/265°F може да предизвика експлозия.
- Спазвайте всички инструкции за зареждане и не зареждайте акумулаторната батерия или уреда извън температурния диапазон, посочен в инструкциите. Неправилното зареждане или зареждането при температури извън определения диапазон може да повредят акумулаторната батерия и да увеличат риска от пожар.

## Общи инструкции за безопасност



**ПРЕДУПРЕЖДЕНИЕ:** Прочетете следващите предупредителни инструкции, преди да използвате продукта.

- Този продукт е опасен, ако се използва неправилно или ако не сте внимателни. Неспазването на инструкциите за безопасност може да доведе до нараняване или смърт.
- Този продукт създава електромагнитно поле по време на работа. При някои условия това поле може да предизвика смущения в активни или пасивни медицински импланти. За да намалите риска от тежко или смъртоносно нараняване, ние препоръчваме лицата с медицински импланти да говорят с лекаря си и производителя на медицинския имплант, преди да започнат да работят с този продукт.
- Винаги бъдете внимателни и подхождайте разумно. Ако не сте сигурни как да работите с продукта при специална ситуация, спрете и се обърнете към Вашия дилър на Husqvarna, преди да продължите.
- Имайте предвид, че операторът носи отговорност за злополуки, включващи други лица или тяхното имущество.
- Поддържайте продукта чист. Уверете се, че разчитате ясно знаците и стикерите.
- Никога не позволявайте на деца или на хора, непознати с тези инструкции, да използват уреда. Местните регламенти може да поставят възрастови ограничения за оператора.

- Винаги наблюдавайте лице с намален физически или умствен капацитет, което използва продукта. През цялото време трябва да присъства отговорен възрастен.
- Не използвайте продукта, ако сте уморени, болни или под въздействието на алкохол, наркотици или лекарства. Това състояние оказва отрицателно въздействие върху Вашето зрение, бдителност, координация и преценка.
- Не използвайте продукта, ако е повреден или не работи правилно.
- Не променяйте този продукт и не го използвайте, ако има вероятност той да е бил променен от други лица.

## Безопасност при работа



**ПРЕДУПРЕЖДЕНИЕ:** Прочетете следващите предупредителни указания, преди да използвате продукта.

- Използвайте продукта за полагане на граничен електрически проводник и водещ проводник за косачки-роботи в земята. Не използвайте продукта за други задачи.
- Използвайте лични предпазни средства. Вижте *Лични предпазни средства на страница 29*.
- Уверете се, че знаете как бързо да спрете двигателя при аварийна ситуация.
- Не използвайте продукта при дъжд или влага. Опасността от токов удар се повишава при навлизане на вода в продукта.
- Не работете с продукта, докато бормашината и всички капази не се монтират правилно. Неправилно монтираната бормашина може да се разхлаби и да причини телесна повреда.
- Отстранете препятствия като клони, пръчки и камъни от работната зона, преди да използвате продукта.
- Обектите, които се удрят в машината за полагане на кабел, могат да бъдат изхвърлени и да причинят нараняване на хората и щети на предметите. Дръжте страничните наблюдатели и животните на безопасно разстояние от продукта.
- Никога не използвайте продукта в лошо време – например при мъгла, дъжд, силни ветрове, много силен студ и риск от мълнии. Използването на продукта в лошо време или върху влажни или мокри терени е изморително. Лошото време може да създаде опасни условия, като например хлъзгави повърхности.
- Внимавайте за лица, предмети и ситуации, които могат да са причина за намаляване на безопасната работа на продукта.
- Внимавайте за препятствия като корени, камъни, клони, ями и канавки. Дългата трева може да крие препятствия.
- Не работете с продукта, когато наклонът на повърхността е повече от 15°.

- Бъдете изключително внимателни, когато сменяте посоката на движение по наклони. Използвайте продукта напречно на склона. Не се движете нагоре и надолу.
- Внимавайте, когато преминавате покрай закриватъли и предмети, които скриват зрителното Ви поле.
- Уверете се, че бормашината няма да се удря в обекти, като например камъни и корени. Това може да доведе до повреда на бормашината и до огъване на двусекционния вал на двигателя. Огънатият двусекционен вал на двигателя предизвиква силни вибрации и има много голяма опасност бормашината да се разхлаби.
- Ако бормашината се удари в някакъв обект или се получат вибрации, спрете веднага продукта. Спрете двигателя, издърпайте ключа за безопасност и извадете акумулатора. Изчакайте спирането на движещите се части. Проверете продукта за повреди. Затегнете разхлабените части. Отстранете повредите и сменете повредените части. Възложете ремонта на упълномощен сервис.
- Не прикрепяйте дръжката за работа с бормашината за постоянно върху ръкохватката, когато двигателят е стартиран.
- Поставете продукта върху стабилна, равна повърхност и го стартирайте.
- Винаги стойте зад продукта, когато го използвате.
- Всички колела трябва да бъдат на земята и да държите дръжката с 2 ръце, когато работите с продукта.
- Дръжте ръцете и краката си далеч от въртящата се бормашина.
- Не наклоняйте продукта при стартиране на двигателя или по време на работа на продукта.
- Бъдете внимателни, когато дърпате продукта назад.
- Не повдигайте продукта при стартиран двигател. Ако се наложи да вдигате продукта, първо спрете двигателя, издърпайте ключа за безопасност и извадете акумулатора.
- Не се движете назад при работа с продукта.
- Освободете дръжката за работа с бормашината, за да спрете бормашината, когато е необходимо да наклоните продукта за транспортиране.
- Не тичайте с продукта, докато двигателят работи. Винаги ходете, когато работите с продукта.
- Спрете двигателя, преди да промените дълбочината за полагане на кабела. Не извършвайте регулировки при работещ двигател.
- Не оставяйте продукта без надзор, когато двигателят работи. Спрете двигателя и се уверете, че бормашината не се върти.
- Вибрациите на продукта по време на работа могат да се различават от декларираната стойност на вибрациите в *Технически характеристики на страница 40*. Разликата е в

резултат на различните начини на използване на продукта. Ако работите с продукта често или за дълги периоди от време, правете редовно почивки, за да предотвратите нараняване от вибрации.

## Инструкции за безопасност за работа

Прочетете следващите инструкции, преди да използвате продукта.

- Уверете се, че кабелът на водача за кабел не е повреден.
- Уверете се, че тръбата в подаващото крило не е повредена. Заменете тръбата, ако е износена или повредена.

(Фиг. 16)

- Уверете се, че ръбът около отвора не е остър или повреден. Сменете водача за кабел, ако е повреден.
- Уверете се, че всички винтове са затегнати.
- Уверете се, че всички лостове са в неутрална позиция.

## Лични предпазни средства



**ПРЕДУПРЕЖДЕНИЕ:** Прочетете следващите предупредителни указания, преди да използвате продукта.

- Личните предпазни средства не изключват изцяло риска от нараняване, но намаляват степента на нараняването при злополука. Нека Вашият доставчик Ви помогне да изберете подходящото оборудване.
- Носете ботуши или обувки, устойчиви на хлъзгане. Не носете отворени обувки и не ходете боси.
- Използвайте дълги панталони от здрав плат.
- Когато е необходимо, носете защитни ръкавици, например когато закрепвате, проверявате или почиствате оборудването за полагане на кабел.
- Препоръчваме използване на средства за защита на слуха.

## Устройство за безопасност на продукта



**ПРЕДУПРЕЖДЕНИЕ:** Прочетете следващите предупредителни инструкции, преди да използвате продукта.

- Не използвайте продукт с устройства за безопасност, които са повредени или не работят правилно.
- Не отстранявайте и не правете модификации по устройствата за безопасност.
- Извършвайте редовно проверка на устройствата за безопасност. Ако устройствата за безопасност

са повредени или не работят правилно, се обърнете към Вашия сервиз на Husqvarna.

## Ключ за безопасност

Ключът за безопасност е под капака на акумулатора. Ключът за безопасност свързва акумулатора, който захранва двигателя с енергия.

## За проверка на ключа за безопасност

Ключът за безопасност свързва акумулатора, който захранва двигателя с енергия.

- Стартирайте и спрете двигателя. Ако ключът за безопасност работи правилно, двигателят може да стартира само когато ключът за безопасност е в осигурителна заключалка.

## Дръжка за работа с бормашината

Дръжката за работа с бормашината спира бормашината. Когато дръжката за работа с бормашината е освободена, бормашината спира.

За да извършите проверка на дръжката за работа с бормашината, стартирайте двигателя и след това отпуснете дръжката за работа с бормашината. Ако бормашината не спре след 3 секунди, обърнете се към одобрен сервиз на Husqvarna.

(Фиг. 17)

## Безопасност на акумулаторната батерия



**ПРЕДУПРЕЖДЕНИЕ:** Прочетете следващите предупредителни инструкции, преди да използвате продукта.

- Използвайте акумулаторни батерии Husqvarna като източник на захранване само за продукти Husqvarna. За да предотвратите нараняване, не използвайте акумулаторната батерия като източник на захранване за други устройства.
- Не използвайте незареджени акумулаторни батерии.
- Опасност от електрически удар. Не свързвайте клемите на акумулаторната батерия с ключове, монети, винтове или други метални предмети. Това може да причини късо съединение на акумулаторната батерия.
- Не поставяйте предмети във въздушните отвори на акумулаторната батерия.
- Съхранявайте акумулаторната батерия далеч от слънчева светлина, топлина или открит огън. Акумулаторната батерия може да експлодира и да причини изгаряния и/или химически изгаряния.
- Съхранявайте акумулаторната батерия далеч от дъжд или влага.
- Съхранявайте акумулаторната батерия далеч от микровълни и високо налягане.

- Не се опитвайте да разглобите или счупите акумулаторната батерия.
- Ако в акумулаторната батерия има теч, не оставяйте течността да влиза в контакт с тялото или очите. Ако сте докоснали течността, измийте мястото с обилно количество вода и потърсете медицинска помощ.
- Използвайте акумулаторната батерия в продукта само когато околната температура е в границите на 5°C – 40°C.
- Използвайте зарядното устройство за акумулаторни батерии само когато околната температура е в границите на 5°C – 40°C.
- Акумулаторната батерия няма да се зарежда, ако нейната температура е по-висока от 50°C.
- Не почиствайте акумулаторната батерия или зарядното устройство за акумулаторни батерии с вода. Направете справка с *За почистване на акумулаторната батерия и зарядното устройство за акумулаторни батерии на страница 37*.
- Не използвайте повредена акумулаторна батерия.
- Съхранявайте акумулаторните батерии далеч от метални предмети, като например пирони, монети, бижута.

## Инструкции за безопасност за зарядното устройство на акумулаторната батерия



**ПРЕДУПРЕЖДЕНИЕ:** Прочетете следващите предупредителни инструкции, преди да използвате продукта.

- Използвайте QC зарядни устройства за акумулаторни батерии зареждане само на резервни акумулаторни батерии Husqvarna.
- Риск от токов удар или късо съединение. Не поставяйте предмети във въздушните отвори на зарядното устройство. Не опитвайте да разглобите зарядното устройство за акумулаторни батерии. Не свързвайте клемите на зарядното устройство към метални предмети. Използвайте одобрен стенов контакт.
- Този продукт създава електромагнитно поле по време на работа. При някои условия това поле може да предизвика смущения в активни или пасивни медицински импланти. За да намалите риска от сериозно или смъртоносно нараняване, ние препоръчваме лицата с медицински импланти да говорят с лекаря си и производителя на медицинския имплант, преди да започнат да работят с този продукт.
- Редовно проверявайте дали захранващият шнур на зарядното устройство за акумулаторни батерии не е повреден и дали няма пукнатини по него.

- Не повдигайте зарядното устройство за акумулаторни батерии, като го държите за захранващия шнур. За да изключите зарядното устройство за акумулаторни батерии от стенен контакт, извадете щепсела. Не дърпайте захранващия шнур.
- Дръжте захранващия шнур и удължаващите кабели далеч от вода, масло и остри ръбове. Уверете се, че кабелът не е прищипан от врати, огради и подобни. Това може да причини появата на напрежение в зарядното устройство.
- Не почиствайте зарядното устройство за акумулаторни батерии с вода.
- Зарядното устройство за акумулаторни батерии може да се използва от деца на възраст 8 и повече години и лица с намалени физически, сетивни или умствени способности или без знания и опит, ако са под наблюдение или са получили инструкции за безопасното използване на зарядното устройство за акумулаторни батерии и разбират свързаните с това рискове. Децата не трябва да си играят със зарядното устройство за акумулаторни батерии. Почистването и техническото обслужване от потребителя не трябва да се извършват от деца без наблюдение.
- Не зареждайте незареждаеми акумулаторни батерии в зарядното устройство за акумулаторни батерии.
- Не използвайте зарядното устройство за акумулаторни батерии близо до запалими материали или материали, които могат да причинят корозия. Не покривайте зарядното устройство за акумулаторни батерии. Ако има дим или огън, извадете щепсела на зарядното устройство за акумулаторни батерии.
- Не използвайте повредено зарядно устройство за акумулаторни батерии.
- Зареждайте акумулаторната батерия само на закрито, в помещение с добра вентилация и далеч от слънчева светлина. Не зареждайте акумулаторната батерия във влажна условия.

## Инструкции за безопасност при техническо обслужване



**ПРЕДУПРЕЖДЕНИЕ:** Прочетете следващите предупредителни указания, преди да използвате продукта.

- Извадете ключа за безопасност преди извършване на техническа поддръжка на продукта.
- Извършете правилно техническото обслужване, за да увеличите срока на експлоатация на продукта и да намалите опасността от инциденти. Възложете извършването на професионалните ремонтни дейности на упълномощен сервис. За повече информация говорете с най-близкия до Вас сервис.
- Изпълнявайте стъпките от техническото обслужване, посочени в тази инструкция за експлоатация.
- Носете ръкавици с висока издръжливост, когато докосвате оборудването за полагане на кабел.
- Поддържайте продукта чист за най-добра и безопасна производителност.
- Редовно проверявайте продукта при Вашия сервис и извършвайте необходимите корекции и ремонтни дейности.
- Заменете повредени, износени или счупени части.
- Следвайте инструкциите за смяна на аксесоарите. Използвайте само аксесоари от производителя.
- Когато не ги използвате, съхранявайте продукта, акумулатора и зарядното устройство отделно на закрито сухо и заключено място. Уверете се, че деца и лица, които не са одобрени, не могат да получат достъп до продукта, акумулатора или зарядното устройство.

## Монтаж

### Въведение



**ПРЕДУПРЕЖДЕНИЕ:** Прочетете и разберете главата за безопасност, преди да монтирате продукта.

### За да монтирате бормашината

1. Поставете бормашината (А) в главата на бормашината (В) и поставете дългия винт (С). (Фиг. 18)

**Забележка:** За монтиране на бормашината е необходим шестстенен ключ 6 mm.

2. Монтирайте главата на бормашината на вала (D) с късия винт (Е).
3. Затегнете винтовете.

### За да монтирате кабела

Продуктът има съединен уред за навиване на кабела, който може да се сваля.

1. Поставете кабела върху уреда за навиване на кабела. Използвайте ръчката, за да завъртите уреда за навиване на кабела по посока на часовниковата стрелка.

---

**Забележка:** Кабелът трябва да се монтира по посока на часовниковата стрелка върху уреда за навиване на кабела, така че да се развива плавно по време на работа. (Фиг. 19)

---

2. Бутнете кабела в тръбата в подаващото крило (А), докато кабелът излезе от долната страна (В) приблизително 5 см. (Фиг. 20)

### За да монтирате и отстраните уреда за навиване на кабела

1. Разхлабете ръчката (А). (Фиг. 21)
- 

## Операция

---

### Въведение



**ПРЕДУПРЕЖДЕНИЕ:** Преди работа с продукта трябва да прочетете и разберете главата за безопасност.

---

### Husqvarna Fleet Services™

Husqvarna Fleet Services™ е облачно решение, което предоставя на оператора общ изглед на всички свързани продукти. На този продукт може да се монтира сензор за Husqvarna Fleet Services™. Сензорът за Husqvarna Fleet Services™ събира данни от продукта и Ви позволява да се свържете към системата Husqvarna Fleet Services™. Системата Husqvarna Fleet Services™ отчита данни, като например, време на работа, интервали за обслужване и местоположение на продукта.

За повече информация относно Husqvarna Fleet Services™ изтеглете приложението Husqvarna Fleet Services™ или говорете с Вашия представител на Husqvarna.

### За да подготвите сензора (принадлежност)

1. Използвайте сензорния ключ, за да отворите капака на сензора. (Фиг. 23)
2. Извадете сензора.
3. Свържете акумулатора към сензора. Светодиодната лампа на сензора ще се включи. (Фиг. 24)
4. Изтеглете приложението Husqvarna Fleet Services™.
5. Влезте в приложението Husqvarna Fleet Services™.
6. Извършете операция по вдвояване. Направете справка с *За извършване на операция по вдвояване между приложението и продукта на страница 32*

2. Свалете фиксатора (В).
3. Свалете уреда за навиване на кабел (С).
4. Монтирайте уреда за навиване на кабел (D). Ако е необходимо, използвайте адаптера. (Фиг. 22)
5. Монтирайте фиксатора (Е) и затегнете ръчката (F).

### За извършване на операция по вдвояване между приложението и продукта

1. Влезте в приложението Husqvarna Fleet Services™.
2. Изберете Вашия продукт в приложението.
3. Сканирайте кода зад сензора с мобилното си устройство, за да инсталирате сензора в приложението.

---

**Забележка:** Нужно е да извършите вдвояване между приложението и продукта само веднъж.

---

### За монтаж на сензора

1. Уверете се, че сензорът е свързан с приложението Husqvarna Fleet Services™. Направете справка с *За извършване на операция по вдвояване между приложението и продукта на страница 32*.
2. Пробийте 2 дупки върху маркировките в слота на заграждението. (Фиг. 25)

---

**Забележка:** Уверете се, че отворите са със същите размери като нитовете, предоставени със сензора.

---

3. Използвайте чифт клещи, за да премахнете външните отвори на слота за сензора. (Фиг. 26)
4. Пробийте 2 дупки върху маркировките в слота за сензора. (Фиг. 27)
5. Подравнете слота за сензора със слота на заграждението. (Фиг. 28)
6. Прикрепете слота за сензора с нитовете.
7. Монтирайте сензора в слота за сензора. Подравнете бялата маркировка на сензора с маркировката на слота за сензора. (Фиг. 29)
8. Затворете капака на сензора и го заключете със сензорния ключ. Уверете се, че горната част на Husqvarna "H" не е обърната към ключа за безопасност. (Фиг. 30)



## Акумулатор



**ПРЕДУПРЕЖДЕНИЕ:** Преди да използвате акумулатора, трябва да прочетете и разберете главата за безопасност. Вие трябва също да прочетете и разберете ръководството на оператора за акумулатора и зарядното устройство.

Поддържайте подходяща околна температура за акумулаторната батерия и зарядното устройство.

	Околна температура
Работа на акумулаторната батерия	5°C – 40°C
Зареждане на акумулаторната батерия	5°C – 40°C

### Статус на батерията

Дисплеят показва оставащия капацитет на акумулатора и дали има проблеми с него. Капацитетът на акумулатора се показва за 5 секунди, след като продуктът бъде изключен или бутонът за индикатора на акумулатора бъде натиснат. Символът за предупреждение върху акумулатора се включва, когато има грешка. Вижте *Акумулатор на страница 38*.

(Фиг. 31)

Светодиодни лампи	Статус на батерията
Всички светодиоди светят	Напълно зареден (75 – 100%)
Светодиоди 1, 2, 3 светят	Акумулаторът е зареден на 50% – 75%
Светодиоди 1 и 2 светят	Акумулаторът е зареден на 25% – 50%
Светодиод 1 свети	Акумулаторът е зареден на 0% – 25%.
Светодиод 1 мига	Батерията е изтощена. Заредете батерията.

### За зареждане на акумулатора

Заредете акумулатора преди използване за първи път. Акумулаторът е зареден само на 30%, когато се доставя на клиента.

**Забележка:** Зарядното устройство на акумулатора трябва да бъде свързано към напрежението и честотата, посочени на типовата табелка.

Акумулаторът не се зарежда, ако температурата на акумулатора е над 50°C. Зарядното устройство намалява температурата на акумулатора, преди да започне да зарежда.

- Свържете единия край на захранващия шнур на зарядното устройство в гнездото на зарядното устройство.
- Свържете другия край на захранващия шнур за зарядното устройство в заземен контакт. Светодиодът на зарядното устройство примигва един път в зелено. (Фиг. 32)
- Поставете батерията в зарядното устройство. Когато акумулаторът е правилно свързан към зарядното устройство, на зарядното устройство светва зелена светлина. (Фиг. 33)
- Когато всички светодиоди на акумулатора светнат, акумулаторът е напълно зареден. Заредете акумулатора за най-много 24 часа.
- За да разкачите зарядното устройство на акумулатора от контакта, издърпайте щепсела, а не кабела.
- Извадете батерията от зарядното устройство.

### Състояние на зареждане на акумулатора

Литиево-йонният акумулатор Husqvarna може да бъде зареден или използван във всички нива на заряда. Батерията не се поврежда. Напълно зареденият акумулатор няма да намали заряда си, дори когато е оставен в зарядното устройство.

Светодиоден дисплей	Състояние на зареждането
Светодиод 1 мига	0% – 25%
Светодиод 1 свети, светодиод 2 мига	25%-50%
Светодиоди 1 и 2 светят, светодиод 3 мига	50%-75%
Светодиоди 1, 2 и 3 светят, светодиод 4 мига	75%-100%
Светодиоди 1, 2, 3 и 4 светят	Напълно зареден

### Извършете преди работа с продукта

- Полейте земята с вода един ден преди работа през лятото или ако почвата е суха.
- Уверете се, че хората и животните са най-малко на 20 m разстояние от продукта.
- Поставете кабела върху уреда за навиване на кабела. Вижте *За да монтирате кабела на страница 31*.

4. Регулирайте дълбочината за полагане на кабела. Вижте *За да регулирате дълбочината за полагане на кабела на страница 34.*
5. Закрепете края на кабела към колчехе.

## За стартиране на продукта

1. Наклонете ръкохватката настрани. Направете справка с *За да наклоните ръкохватката на страница 34.*
2. Отворете капака на акумулаторната батерия.
3. Поставете заредена акумулаторна батерия в отделението за акумулаторни батерии номер 1 под капака на акумулаторната батерия. За по-дълъг период на работа поставете втора заредена акумулаторна батерия в отделението за акумулаторни батерии номер 2.
4. Разкачете ключа за безопасност от държача за ключа за безопасност.
5. Поставете ключа за безопасност в осигурителната заключалка. (Фиг. 34)
6. Останете зад продукта.
7. Натиснете бутона за режим на готовност (A) на таблото за управление. Лампата за режим на готовност (B) светва. (Фиг. 35)
8. Натиснете бутона за стартиране/спиране (C), докато остане натиснат. Двигателят се стартира.



**ВНИМАНИЕ:** Не работете с продукта, ако предупредителната светлина (D) мига в червено.

9. Натиснете дръжката за работа с бормашината по посока на ръкохватката, за да стартирате бормашината. (Фиг. 36)

## За използването на задвижването на колелата

- Дръпнете дръжката за управление на задвижването (A) по посока на ръкохватката, за да включите задвижването на колелата. (Фиг. 37)
- Освободете дръжката за управление на задвижването, за да изключите задвижването на колелата.

## За да регулирате дълбочината за полагане на кабела

1. Разхлабете ръчката (A). (Фиг. 38)
2. Регулирайте опорното колело (B) до необходимата дълбочина за полагане на кабела и затегнете ръчката.

**Забележка:** Числата (C) отстраняват тръбата на опорното колело, показват дълбочината за полагане на кабела в см.

Дълбочината за полагане на кабела може да се регулира между 1 – 6 см.

## За да регулирате височината на дръжката

Височината на ръкохватката може да се регулира на 5 позиции.

1. Завъртете дръжката (A) обратно на часовниковата стрелка, за да я разхлабите, и свалете ръчката (B). (Фиг. 39)
2. Регулирайте височината на ръкохватката и поставете ръчката в отвора на най-близката позиция.
3. Завъртете ръкохватката по посока на часовниковата стрелка, за да я стегнете.

## За да наклоните ръкохватката

Можете да наклоните ръкохватката, за да предотвратите удрянето в препятствия, когато работите с продукта. Ръкохватката може да се накланя в 4 позиции от дясната страна и в 4 позиции от лявата страна.

1. Дръпнете дръжката за накланяне на ръкохватката (A) докрай по посока на ръкохватката и я задръжте. Дръжката за накланяне на ръкохватката е от долната лява страна на ръкохватката. (Фиг. 40)
2. Наклонете кормилото до 1 от 4-те позиции от лявата или дясната страна и освободете дръжката за накланяне на ръкохватката. Уверете се, че щифтът, който блокира позицията на ръкохватката, е в 1 от гнездата. (Фиг. 41)

## За да заключите функцията за завъртане на подаващото крило

За да увеличите прецизността на посоката, когато поставяте кабела в дълги прави участъци, можете да заключите функцията за завъртане на подаващото крило.

- Уверете се, че подаващото крило е в същата посока като продукта, и затегнете дръжката (A). (Фиг. 42)

## За да регулирате водача за кабела

Продуктът се регулира за 4 mm кабели. Ако кабелът е с по-голям диаметър, водачът за кабела трябва да се регулира.

1. Разхлабете 2-та винта. (Фиг. 43)
2. Преместете водача за кабела няколко милиметра нагоре.
3. Затегнете 2-те винта.

## За да регулирате ширината на коловоза

Положението на колелата може да се регулира за различни ширини на коловоза. Има 4 отвора за регулиране на оста от лявата страна и 4 отвора за регулиране на оста от дясната страна. Ширината на коловоза може да се регулира на 250, 270, 290 или 310 mm от центъра на бормашината. (Фиг. 44)

1. Издърпайте щифта (А).
2. Регулирайте колелата до необходимата ширина на коловоза.
3. Поставете щифта в един от 4-те отвора (В) в оста.
4. Заклучете пружината за безопасност.

## За да започнете работа

След монтиране на кабела и бормашината операторът трябва да фиксира кабела към земята.

1. Поставете колче в земята.
2. Закрепете частта от кабела, която излиза от долната част на водача за кабел, към колчето.

## За да използвате водач за 2 кабела

Ако продуктът излиза от външния периметър на работната зона, е необходимо да поставите 2-та кабела едновременно.

1. Вкопайте 1 кабел по целия периметър. Направете справка с фигура (А) и (В). (Фиг. 45) (Фиг. 46)
2. Когато сте в точката, показана на фигура (С), поставете опорното колело в най-високата позиция, за да извадите подаващото крило от почвата. Закрепете кабела с колче и продължете с кабела над почвата, докато стигнете до следващата точка. (Фиг. 47)
3. Закрепете кабела с колче в точката, показана на фигура (D). (Фиг. 48)

4. Поставете подаващото крило на правилната дълбочина за полагане на кабела и продължете да вкопавате кабела, за да оформите острова. Направете справка с фигура (Е). (Фиг. 49)
5. Когато достигнете до точката, посочена на фигура (F), отстранете колчето и почистете подаващото крило. Вижте *За да почистите подаващото крило на страница 36*. (Фиг. 50)
6. Сглобете кабела над земята във водача за кабела. (Фиг. 51)
7. Вкопайте 2-та кабела едновременно до точката, посочена на фигура (G). Закрепете 2-та кабела към колче и разкачете втория кабел от водача за кабела. (Фиг. 52)
8. Продължете да вкопавате периметърния кабел до точката, показана на фигура (H). (Фиг. 53)

## Спиране на продукта

Продуктът спира автоматично, ако не работите с него в продължение на 3 минути.

1. Освободете дръжката на задвижването (А), за да изключите задвижването на колелата. (Фиг. 37)
2. Освободете дръжката за работа с бормашината, за да спрете бормашината. (Фиг. 17)
3. Натиснете бутона за стартиране/спиране на таблото за управление.
4. Натиснете бутона за режим на готовност на таблото за управление.
5. Отворете капака на акумулатора.
6. Извадете ключа за безопасност от осигурителната заключалка и го сложете в дръжката за ключа за безопасност.
7. За почистване на подаващото крило използвайте стъргалката. Вижте *За да почистите подаващото крило на страница 36*.
8. Почиствайте и смазвайте главата на бормашината след всяка операция. Вижте *За да почистите и смажете главата на бормашината на страница 37*.

---

## Поддръжка

---

### Въведение



**ПРЕДУПРЕЖДЕНИЕ:** Преди да извършите техническо обслужване, трябва да прочетете и разберете главата за безопасност.

За всички работи по обслужването и поправката на продукта е необходимо специално обучение. Осигуряваме предлагане на професионални ремонти и обслужване.

За по-подробна информация направете справка с [www.husqvarna.com](http://www.husqvarna.com).

### График за техническо обслужване

Интервалите за техническо обслужване са изчислени в зависимост от ежедневната употреба на продукта. Интервалите се променят, ако продуктът не се използва ежедневно.

За техническо обслужване, маркирано със \*, направете справка с *Устройствa за безопасност на продукта на страница 29*.

	При всяка употреба	Всеки месец	Всеки сезон
Извършете обща проверка.	X		
Уверете се, че приспособленията за безопасност на продукта не са дефектни *.	X		
Проверете бормашината и подаващото крило.	X		
Направете проверка на дръжката за работа с бормашината *.	X		
Уверете се, че бутонът за стартиране/спиране работи правилно и не е дефектен.	X		
Проверете акумулатора за повреди.	X		
Проверете заряда на акумулатора.	X		
Уверете се, че бутоните за освобождаване на акумулатора работят изправно и че акумулаторът се фиксира на място в продукта.	X		
Почистете смукателните въздухопроводи на двигателя. Уверете се, че по смукателните въздухопроводи няма трева или мръсотия.	X		
Смажете небоядисаните части.	X		
Смажете частите, чието цинково покритие е било износено.	X		
Почистете и смажете главата на бормашината.	X		
Почистете подаващото крило.	X		
Проверете зарядното устройство за повреда и се уверете, че функционира изправно.		X	
Проверете връзките между акумулатора и продукта. Освен това проверете връзката между акумулатора и зарядното устройство.			X

## За да почистите подаващото крило

- За отстраняване на пръстта и почистване на подаващото крило използвайте стъргалката. (Фиг. 54)

## За да смените подаващото крило

1. Наклонете продукта напред и го поставете бавно на земята.
2. Отстранете 2-та винта (А) и подаващото крило (В). (Фиг. 55)
3. Монтирайте новото подаващо крило в обратната последователност.

## За да смените бормашината

1. Отстранете тревата и замърсяванията от продукта.



**ВНИМАНИЕ:** Уверете се, че по време на процеса на монтаж в бормашината няма да попаднат

замърсявания или други нежелани материали.

**Забележка:** Почиствайте и смазвайте корпуса на бормашината всеки път след работа.

2. Отстранете късия винт (А) и главата на бормашината (В) от вала (С). (Фиг. 56)

**Забележка:** За смяна на бормашината е необходим шестостенен ключ 6 mm.

3. Отстранете дългия винт (D) и бормашината (E) от главата на бормашината.
4. Поставете нова бормашина в главата на бормашината и монтирайте дългия винт.
5. Монтирайте главата на бормашината на вала.
6. Затегнете винтовете.

## За да почистите и смажете главата на бормашината

Почиствайте изцяло главата на бормашината след всяка операция.

1. Наклонете продукта напред и го поставете бавно на земята.
2. Отстранете тревата, замърсяванията и нежеланите материали с мека четка.
3. За да премахнете по-малките частици трева и замърсявания, използвайте сгъстен въздух.
4. Отстранете винтовете (А) от главата на бормашината (В) и отстранете бормашината (С). (Фиг. 56)
5. Разхлабете 2-та винта (D) и отстранете подаващото крило (E). (Фиг. 57)
6. Отстранете винта (F) и свалете главата на бормашината (G) от вала (H). (Фиг. 58)
7. За почистване на продукта използвайте сгъстен въздух. Уверете се, че всички замърсявания, трева и други нежелани материали са отстранени.
8. Ако е необходимо, отстранете замърсената грес с подходящ разтворител.
9. Почистете всички компоненти с подходящ разтворител и ги смажете.
10. Нанесете водоустойчива грес върху двусекционния вал. (Фиг. 59)

## За почистване на акумулаторната батерия и зарядното устройство за акумулаторни батерии



**ПРЕДУПРЕЖДЕНИЕ:** Не почиствайте акумулаторната батерия или зарядното устройство за акумулаторни батерии с вода.



**ПРЕДУПРЕЖДЕНИЕ:** Не използвайте никакви химически вещества за почистване на акумулаторната батерия.

- Преди да поставите акумулаторната батерия в зарядното устройство за акумулаторни батерии, се уверете, че акумулаторната батерия и зарядното устройство за акумулаторни батерии са чисти и сухи.
- Почистете клемите на акумулаторната батерия със сгъстен въздух или използвайте мека и суха кърпа.
- Почистете повърхностите на акумулаторната батерия и зарядното устройство за акумулаторни батерии с мека и суха кърпа.

## Отстраняване на проблеми

### Отстраняване на проблеми

Ако не можете да намерите решение на Вашите проблеми в това ръководство, свържете се с Вашия сервиз на Husqvarna.

Проблем	Причина
Двигателят не се стартира.	Акумулаторната батерия не е заредена.
	Акумулаторната батерия не е монтирана правилно.
	Акумулаторът е повреден.
	Таблото за управление е дефектно.
Бормашината не се върти.	Ремъкът е износен.
	Ремъкът е излязъл от ролките.
	Лостът не натяга достатъчно ремъка.
Бормашината продължава да се върти, когато дръжката за работа с бормашината бъде освободен.	Въжето от дръжката за работа с бормашината е износено или повредено.

Проблем	Причина
Продуктът не работи правилно.	Бормашината е износена или повредена.
	Бормашината не е монтирана правилно.
Продуктът не се движи, когато е задействана дръжката на задвижването.	Въжето от дръжката на задвижването е износено или повредено.
	Трансмисионните ремъци са износени.
	Веригата е счупена или няма достатъчно обтягане.
	Дисковете на съединителя в корпуса на трансмисията са износени.
Главата на бормашината не може да бъде свалена.	В устройството има нежелан материал.
	В системата има образуван окис.
Повредена е изолацията на кабела, поставен в земята.	Изходният отвор на кабела на подаващото крило е повреден.
	Тръбата, в която се намира кабелът и която е част от подаващото крило, е замърсена.

## Акумулатор

Светодиод на акумулатора	Причина	Решение
Зеленият светодиод мига.	Напрежението на акумулатора е ниско.	Заредете акумулаторната батерия. Вижте <i>За зареждане на акумулатора на страница 33</i> .
Светодиодът за грешка мига.	Акумулаторът е изтощен.	Заредете акумулаторната батерия. Вижте <i>Акумулатор на страница 38</i> .
	Температурата в работната среда е прекалено висока или прекалено ниска.	Използвайте акумулатора при температури между -10°C и 40°C.
	Свърхнапрежение.	Уверете се, че напрежението на електрическата мрежа е същото като на типовата табелка на продукта.  Извадете батерията от зарядното устройство. Изчакайте 5 секунди и опитайте отново да заредите акумулатора. Ако проблемът продължава, обърнете се към одобрен сервис.
Светодиодът за грешка свети.	Разликата в клетките е твърде голяма (1 V).	Обърнете се към одобрен сервис.

## Зарядно устройство за батерията

Светодиод на зарядното устройство	Причина	Решение
Светодиодът за грешка мига.	Температурата в работната среда е прекалено висока или прекалено ниска.	Използвайте зарядното устройство на акумулатора при температури между 5°C и 40°C.
Светодиодът за грешка свети.		Обърнете се към одобрен сервиз.

## Табло за управление

Код на грешка (брой премигвания)	Възможни неизправности	Възможна процедура
5	Оборотите на двигателя намаляват прекалено много и двигателят спира.	Почистете главата на бормашината и намалете дълбочината за полагане на кабела. Вижте <i>За да почистите и смажете главата на бормашината на страница 37</i> и <i>За да регулирате дълбочината за полагане на кабела на страница 34</i> . Ако грешката не се махне, говорете с Вашия упълномощен сервиз.
8	Акумулаторът е изтощен.	Заредете акумулаторната батерия. Вижте <i>За зареждане на акумулатора на страница 33</i> .
9	Грешка на акумулатора или липса на сигнал от него.	Поставете правилно акумулатора в продукта и проверете конектора на акумулатора. Ако светодиодът за грешка на акумулатора мига, направете справка с <i>Акумулатор на страница 38</i> .
10	Управлението на двигателя е прекалено горещо.	Спрете двигателя и изчакайте докато изстине.
Други грешки	Ако се появят други грешки, извадете ключа за безопасност, извадете акумулатора и се обърнете към упълномощен сервиз.	

## Транспортиране, съхранение и изхвърляне

### Въведение



**ПРЕДУПРЕЖДЕНИЕ:** За да предотвратите неволно стартиране по време на транспортиране, извадете ключа за безопасност, отстранете акумулатора и изчакайте поне 5 секунди.

### Транспортиране

- В сила са изискванията на Законодателството за опасни продукти, отнасящи се до литиево-йонни акумулатори.
- За търговско транспортиране трябва да се спазват специалните изисквания върху опаковката и етикетите.
- Уверете се, че спазвате разпоредбите за опасни материали, когато подготвяте продукта за транспорт. Може да са в сила местни разпоредби.
- Винаги изваждайте акумулатора при транспортиране.
- Поставете тиксо върху конекторите на акумулатора и се уверете, че акумулаторът не може да се движи по време на транспортиране.
- Закрепете продукта по време на транспортиране.

## Съхранение

- Оставете продукта да се охлади, преди да го приберете за съхранение.
- Винаги изваждайте акумулатора за съхранение.
- За да се избегнат инциденти, се уверете, че акумулаторът не е свързан към продукта по време на съхранение.
- Съхранявайте зарядното устройство в затворено и сухо помещение.
- Съхранявайте акумулатора и зарядното устройство на сухо място, където няма влага или скреж.
- При съхранение разкачете акумулатора от зарядното устройство.
- Не съхранявайте акумулатора, където може да се натрупа статично електричество. Не съхранявайте акумулаторната батерия в метална кутия.
- Съхранявайте продукта на място, на което околната температура е между  $-10^{\circ}\text{C}$  и  $40^{\circ}\text{C}$ .
- Съхранявайте акумулаторната батерия на място, на което околната температура е между  $5^{\circ}\text{C}$  и  $25^{\circ}\text{C}$ , и далеч от слънчева светлина.
- Съхранявайте зарядното устройство на място, на което околната температура е между  $5^{\circ}\text{C}$  и  $45^{\circ}\text{C}$ , и далеч от слънчева светлина.
- Уверете се, че акумулаторът е зареден до 30% – 50% преди съхранение за продължителен период.

- Съхранявайте продукта, акумулатора и зарядното устройство в заключено помещение без достъп за деца или неупълномощени лица.
- Почистете продукта.
- Извършвайте процедурите по техническото обслужване, посочени в това ръководство за оператора. Вижте *График за техническо обслужване на страница 35*.
- Извършете цялостно сервизно обслужване, преди оставите продукта за продължително съхранение.

## Изхвърляне

Символите на продукта или на неговата опаковка показват, че този продукт не може да бъде третиран като битов отпадък. Той трябва да бъде подаден в съответната рециклираща станция за използване на електрическо и електронно оборудване.

Подавайки този продукт на правилното място, вие спомагате за предотвратяване на потенциалното негативно отражение върху околната среда и хората, което би могло да настъпи иначе в резултат на неправилно изхвърляне на този продукт. За повече подробна информация относно рециклирането на този продукт се свържете с местната администрация, услугите за битови отпадъци или магазина, откъдето сте закупили продукта.

(Фиг. 60)

---

## Технически характеристики

---

<b>Двигател на бормашината</b>	
Тип на двигателя	BLDC (безчетков) 36 V
Обороти на двигателя – номинални, об/мин	3000/min
Обороти на двигателя – високо натоварване, об/мин	3300/min
Изходна мощност на двигателя – максимална, kW	1,8
Изходна мощност на двигателя – номинална, kW	1,2
Трансмисия	Механична скоростна кутия с предавки в маслена баня
Съединител	Лентов тип, с ролка
<b>Тегло</b>	
Тегло без акумулаторна батерия, kg	39
Тегло, включително 2 x BLi300, kg	43
<b>Акумулаторна батерия</b>	
Тип акумулаторна батерия	Серия акумулаторни батерии Husqvarna
<b>Време на работа на акумулаторната батерия</b>	



Време на работа на акумулаторната батерия, мин <sup>5</sup>	38
<b>Шумови емисии <sup>6</sup></b>	
Ниво на звуковата мощност, измерено L <sub>WA</sub> dB (A)	84
Ниво на звуковата мощност, гарантирано L <sub>WA</sub> dB (A)	86
<b>Нива на шума <sup>7</sup></b>	
Ниво на звуковото налягане при ухото на оператора, dB (A)	66
<b>Нива на вибрациите <sup>8</sup></b>	
Ръкохватка m/s <sup>2</sup>	1,8
<b>Оборудване за полагане на кабел</b>	
Дълбочина за полагане на кабел, cm	1 – 6
Разстояние между бормашината и ръба на колелото, mm	250, 270, 290, 310
Бормашина	597 04 84-01

Одобрени акумулаторни батерии	Марка	Тип	Капацитет на акумулаторната батерия, Ah	Напрежение, V	Тегло, lb/kg
BLi300	Husqvarna	Литиевойонен	9,4	36	4,1/1,9

Одобрени зарядни устройства за описаните акумулаторни батерии, BLi	Марка	Входно напрежение, V	Честота, Hz	Мощност, W
QC500	Husqvarna	100 – 240	50 – 60	500

<sup>5</sup> Свободна работа, измерена с активиран стандартен режим и с 1 9,4 Ah акумулаторна батерия (BLi300) Husqvarna.

<sup>6</sup> Емисии на шума в околната среда, измерени като звукова мощност (L<sub>WA</sub>) в съответствие с директива на ЕО 2000/14/ЕО.

<sup>7</sup> Отчетените данни за нивото на звуковото налягане имат типична статистическа дисперсия (стандартно отклонение) от 1,2 dB (A).

<sup>8</sup> Отчетените данни за нивото на вибрациите имат типична статистическа дисперсия (стандартно отклонение) от 0,2 m/s<sup>2</sup>. Стандарт за вибрации EN 1032+A1:2009.

# Декларация за съответствие

## Декларация за съответствие на ЕС

Ние, **Husqvarna AB**, SE-561 82 Huskvarna, Швеция,  
тел.: +46-36-146500, декларираме на своя собствена  
отговорност, че продуктът:

<b>Описание</b>	Машина за полагане на кабел
<b>Марка</b>	Husqvarna
<b>Тип/модел</b>	CL400i
<b>Идентификация</b>	Серийни номера от 2022 и нататък

отговаря напълно на следните директиви и  
регламенти на ЕС:

<b>Регламент</b>	<b>Описание</b>
2006/42/EO	"относно машините"
2014/30/EC	"относно електромагнитната съвместимост"
2011/65/EC	"по отношение на ограничението за използване на определени опасни вещества в електрическо и електронно оборудване"

и че следните стандарти и/или технически  
спецификации са приложени: EN ISO 12100:2010,  
EN ISO 14119:2013, EN ISO 14120:2015, EN ISO  
13857:2019, EN 62841-1:2015+AC:2015, EN ISO  
11202:2010, EN 1032:2009, EN 55014-1:2017, EN  
55014-2:2015, EN 63000:2018.

За информация относно шумови емисии направете  
справка с *Технически характеристики на страница  
40.*

Huskvarna, 2022-03-21



Claes Losdal, мениджър "Разработки и развитие/  
градински продукти", Husqvarna AB

Отговорен за техническата документация



---

## Obsah

---

Úvod.....	43	Odstraňování problémů.....	53
Bezpečnost.....	44	Přeprava, skladování a likvidace.....	55
Montáž.....	48	Technické údaje.....	56
Provoz.....	49	Prohlášení o shodě.....	58
Údržba.....	52		

---

## Úvod

---

### Popis výrobku

Výrobek je pokladač kabelů s pěší obsluhou.

### Popis výrobku

(Obr. 1)

1. Páka pro provoz vrtáku
2. Páka pro naklápění řídicích
3. Páka pojezdu
4. Počítadlo
5. Navíječ kabelu
6. Podávací žebro
7. Vrták
8. Ovládací panel
9. Bezpečnostní klíček
10. Baterie (příslušenství)
11. Nabíječka baterie (příslušenství)
12. Návod k použití

### Symboly na výrobku

(Obr. 2) VAROVÁNÍ

(Obr. 3) Varování: Rotující části. Udržujte ruce a nohy mimo dosah.

(Obr. 4) Pozor na odvržené a odražené předměty.

(Obr. 5) Přečtěte si pokyny.

(Obr. 6) Zajistěte, aby se v pracovní oblasti a jejím okolí nezdržovaly nepovolané osoby či zvířata.

(Obr. 7) Nebezpečí poranění očí okolních osob.

(Obr. 8) Nevystavujte dešti.

(Obr. 9) Používejte ochranný štít.

(Obr. 10) Pohotovostní režim (černé tlačítko).

### Zamýšlené použití

Výrobek se používá k instalaci ohraničujícího a naváděcího vodiče pro robotické sekačky do země. K jiným činnostem výrobek nepoužívejte.

(Obr. 10) Spuštění a zastavení motoru (červené tlačítko).

(Obr. 11) Výrobek ani obal výrobku nelze zlikvidovat jako domácí odpad. Odevzdejte jej ve stanici pro recyklaci elektrických a elektronických zařízení.

(Obr. 12) Výrobek odpovídá příslušným směrnici ES.

(Obr. 13) Tento výrobek vyhovuje platným předpisům Spojeného království.

(Obr. 14) Štítek s emisemi hluku do okolí podle směrnic a předpisů Evropské unie a Spojeného království a nařízení o regulaci hluku v australském Novém Jižním Walesu „Protection of the Environment Operations (Noise Control) Regulation 2017“. Garantovaná hladina akustického výkonu tohoto výrobku je uvedena v části *Technické údaje na strani 56* a na štítku.

(Obr. 15) Výrobek je chráněn proti kapající vodě.

---

**Povšimněte si:** Další symboly/štítky na výrobku se týkají certifikačních požadavků pro určité obchodní trhy.

---

### Poškození výrobku

Neneseme odpovědnost za poškození výrobku, pokud:

- byl výrobek nesprávně opraven.
- byl výrobek opraven pomocí součástí od jiného výrobce nebo součástí, které nejsou výrobcem schváleny.

- má výrobek příslušenství od jiného výrobce nebo příslušenství, které není výrobcem schváleno.
- výrobek nebyl opraven ve schváleném servisním středisku nebo schváleným odborníkem.

## Bezpečnost

### Definice týkající se bezpečnosti

Varování, upozornění a poznámky slouží jako upozornění na specifické důležité části návodu.



**VÝSTRAHA:** Používá se v případě nebezpečí úrazu nebo usmrcení obsluhy nebo okolních osob, pokud nejsou dodrženy pokyny uvedené v této příručce.



**VAROVÁNÍ:** Používá se v případě nebezpečí poškození výrobku, dalších materiálů či škod na majetku v blízkém okolí, pokud nejsou dodrženy pokyny uvedené v této příručce.

**Povšimněte si:** Používá se k poskytnutí dalších informací, které jsou nezbytné v dané situaci.

### Obecná bezpečnostní upozornění k výrobku



**VÝSTRAHA:** Prohlédněte si všechny bezpečnostní pokyny, pokyny, ilustrace a technické údaje dodané s tímto výrobkem. Při nedodržení některého z pokynů uvedených níže může dojít k úrazu elektrickým proudem, požáru nebo vážnému poranění.

**Uložte si veškerá upozornění a pokyny pro použití v budoucnu.** Termín „výrobek“ v upozorněních označuje přístroj napájený ze sítě (kabelem) nebo napájený baterií (bezdrátový).

### Bezpečnost pracovního prostoru

- **Udržujte pracovní prostor čistý a dobře osvětlený.** Přeplněné či tmavé prostory nahrávají nehodám.
- **Nepoužívejte produkt ve výbušném prostředí, například v přítomnosti hořlavých kapalin, plynů či prachu.** Výrobek vytváří jiskry, které mohou zapálit prach nebo výpary.
- **Při práci s výrobkem musí být děti i okolostojící osoby v dostatečné vzdálenosti.** Rozptýlení může způsobit, že ztratíte kontrolu nad nástrojem.

### Bezpečnost při používání el. energie

- **Zástrčky výrobku musí odpovídat použité elektrické zásuvce. Zástrčku nikdy žádným způsobem neupravujte. U uzemněných výrobků nepoužívejte žádné adaptéry.** Původní zástrčky a odpovídající

zásuvky snižují nebezpečí úrazu elektrickým proudem.

- **Zabraňte tělesnému kontaktu s uzemněnými povrchy, např. trubkami, radiátory, sporáky a chladničkami.** Pokud je lidské tělo uzemněno, hrozí větší nebezpečí úrazu el. proudem.
- **Výrobek nevystavujte dešti ani vlhku.** Vniknutí vody do výrobku zvyšuje nebezpečí úrazu elektrickým proudem.
- **Nezacházejte hrubě s napájecím kabelem. Výrobek nikdy nenoste za kabel. Za kabel netahejte a výrobek neodpojujte od sítě taháním za kabel. Nevystavujte napájecí kabel působení tepla, oleje, nepoškoďte ho ostrými hranami nebo pohyblivými částmi.** Poškozený nebo ohnutý kabel zvyšuje nebezpečí úrazu elektrickým proudem.
- **Při používání výrobku venku použijte prodlužovací kabel určený pro venkovní použití.** Použití kabelu určeného pro venkovní použití snižuje nebezpečí úrazu elektrickým proudem.
- **Pokud je nezbytné pracovat s výrobkem ve vlhkém prostředí, použijte zdroj s proudovým chráničem.** Použití proudového chrániče snižuje nebezpečí úrazu elektrickým proudem.

### Osobní bezpečnost

- **Při práci s výrobkem dávejte pozor, sledujte, co děláte, a používejte zdravý rozum. Výrobek nepoužívejte, pokud jste unaveni nebo jste pod vlivem drog, alkoholu či léků.** Při práci s výrobkem stačí okamžik nepozornosti a následkem může být vážný úraz.
- **Používejte osobní ochranné pomůcky. Vždy používejte ochranu zraku.** Ochranné vybavení, např. protiprachová maska, neklouzavá ochranná obuv, přilba nebo ochrana sluchu, použité správným způsobem snižují nebezpečí úrazu.
- **Zabraňte náhodnému spuštění. Před připojením ke zdroji napájení nebo vložením baterií, zvednutím nebo přenášením výrobku se přesvědčte, že je vypínač v poloze vypnuto.** Přenášení výrobku s prstem na spínači nebo připojování výrobku se zapnutým spínačem ke zdroji napětí zvyšuje riziko nehody.
- **Před zapnutím výrobku odstraňte jakékoliv seřizovací nebo dotahovací klíče.** Klíč ponechaný na rotující části výrobku může způsobit úraz.
- **Nezatahujte se příliš daleko. Neustále pevně stůjte a držte rovnováhu.** Budete tak mít lepší kontrolu nad výrobkem v neočekávaných situacích.
- **Noste vhodný oděv. Nenoste volné oblečení ani šperky. Udržujte vlasy a oděv mimo dosah pohyblivých částí.** Pohyblivé části mohou zachytit volný oděv, šperky nebo dlouhé vlasy.

- Pokud jsou zařízení přizpůsobena pro připojení odsávačů a lapačů prachu, musí být připojeni a **správně použity**. Použitím lapačů prachu snižujete riziko spojená s výskytem prachu.
- **Nedovolte, aby rutina nabytá častým používáním výrobku způsobila, že začnete být neopatrní a budete ignorovat bezpečnostní zásady při zacházení s výrobkem.** Neopatrný úkon může způsobit vážné zranění ve zlomku sekundy.

## Použití výrobku a péče o výrobek

- **Výrobek nepřetěžujte.** Používejte výrobek, který je pro danou aplikaci určený. Takový výrobek vykoná práci lépe, bezpečněji a rychleji, pro kterou byl navržen.
- **Výrobek nepoužívejte, pokud nefunguje přepínač pro zapnutí a vypnutí.** Každý výrobek, který nelze ovládat přepínačem, je nebezpečný a musí být opraven.
- **Před jakýmkoli nastavováním, výměnou příslušenství nebo uložením elektrického nástroje odpojte zástrčku od napájení nebo z výrobku vytáhněte baterie, pokud je to možné.** Taková preventivní bezpečnostní opatření snižují riziko náhodného spuštění výrobku.
- **Nepoužívaný výrobek ukládejte mimo dosah dětí a nedovolte, aby s ním pracovaly osoby, které ho dobře neznají nebo si nepřečetly tento návod k použití.** Výrobky jsou v rukou neproškolených uživatelů nebezpečné.
- **Provádějte údržbu výrobku a příslušenství.** Kontrolujte chybné zarovnání nebo spojení pohyblivých částí, poškození jakýchkoliv částí nebo jiné stavy, které mohou ovlivnit provoz výrobku. Pokud je výrobek poškozen, nechte ho před použitím opravit. Mnohé nehody jsou způsobeny špatnou údržbou výrobků.
- **Udržujte řezací nástroje ostré a čisté.** Správně udržované řezací nástroje s ostrým ostřím jsou méně náchylné k „zakousnutí“ a snadněji se ovládají.
- **Používejte výrobek, příslušenství a další části podle těchto pokynů.** V úvahu je třeba brát pracovní podmínky a prováděnou práci. Použití výrobku k jinému účelu, než pro který je určen, může mít za následek vznik nebezpečné situace.
- **Rukojeti a uchopovací plochy udržujte suché, čisté a bez zbytků oleje a maziva.** Kluzké rukojeti a uchopovací plochy neumožňují bezpečné ovládní a v neočekávaných situacích může dojít ke ztrátě kontroly.

## Servis

- **Servis výrobku smí provádět pouze kvalifikovaná osoba za použití identických náhradních součástí.** To zajistí udržení bezpečnosti výrobku.
- **Nikdy neprovádějte servis poškozených baterií.** Servis baterií smí provádět pouze výrobce nebo autorizovaný servis.

## Použití nástrojů napájených z baterie a péče o ně

- **Baterii dobíjejte pouze nabíječkou specifikovanou výrobcem.** Použití nabíječky vhodné pro jeden typ baterie může pro jiný typ baterie představovat nebezpečí vzniku požáru.
- **Výrobky používejte pouze s příslušnými speciálními bateriovými moduly.** Při použití jakékoli jiné baterie hrozí riziko úrazu a požáru.
- **Když baterii nepoužíváte, udržujte ji stranou od kovových předmětů, např. kancelářských sponek, mincí, klíčů, hřebíků, šroubů nebo jiných malých kovových předmětů, které by mohly spojit kontakty baterie.** Při zkratování kontaktů baterie může dojít k popáleninám nebo k požáru.
- **V nevhodných podmínkách může dojít k vytečení kapaliny z baterie; vyvarujte se kontaktu s kapalinou.** Pokud dojde k náhodnému kontaktu, opláchněte postižené místo vodou. Při zasažení očí kapalinou vyhledejte lékařskou pomoc. Kapalina vyteklá z baterie může způsobit podráždění nebo popáleniny.
- **Nepoužívejte poškozenou nebo upravenou baterii nebo výrobek.** Poškozené nebo upravené baterie mohou vykazovat neočekávané chování vedoucí k požáru, výbuchu nebo nebezpečí poranění.
- **Nevystavujte baterii ani nástroj ohni a nadměrným teplotám.** Vystavení ohni a teplotám nad 130 °C / 265°F může způsobit explozi.
- **Dodržujte veškeré pokyny k nabíjení a nenabíjejte baterii ani nástroj mimo rozsah teplot uvedený v pokynech.** Nesprávné nabíjení nebo nabíjení při teplotách mimo uvedený rozsah může mít za následek poškození baterie a zvýšené nebezpečí požáru.

## Obecné bezpečnostní pokyny



**VÝSTRAHA:** Před použitím výrobku si přečtěte následující varování.

- Tento výrobek je nebezpečný, nepoužívá-li se správně nebo není-li věnována provozu řádná pozornost. Nedodržení bezpečnostních pokynů může vést ke zranění nebo usmrcení.
- Tento výrobek vytváří během provozu elektromagnetické pole. Toto pole může za určitých okolností narušovat funkci aktivních či pasivních implantovaných lékařských přístrojů. Za účelem snížení rizika možného zranění nebo smrtelného úrazu doporučujeme osobám s implantovanými lékařskými přístroji poradit se před použitím výrobku s lékařem a s výrobcem implantovaného lékařského přístroje.
- Buďte stále opatrní a používejte zdravý rozum. Pokud si nejste jisti, jak výrobek ovládat ve zvláštních situacích, vypněte jej a obraťte se na prodejce Husqvarna, než budete pokračovat v práci.

- Mějte na paměti, že obsluha je odpovědná za nehody a škody vzniklé jiným osobám nebo na jejich majetku.
- Udržujte výrobek čistý. Ujistěte se, že jsou značky a štítky dobře čitelné.
- Nikdy nedovolte dětem nebo osobám, které se neseznámily s těmito pokyny, aby zařízení používaly. Věk obsluhy může být omezen místními předpisy.
- Vždy dohlížejte na osoby s fyzickým nebo mentálním postižením při práci s výrobkem. Vždy musí být přítomna zodpovědná dospělá osoba.
- Nepoužívejte výrobek, jste-li unavení, nemocní nebo pod vlivem alkoholu, drog nebo léků. To by mohlo ovlivnit váš zrak, ostražitost, koordinaci a úsudek.
- Nepoužívejte výrobek, pokud je poškozený nebo nefunguje správně.
- Nikdy neupravujte výrobek a nepoužívejte jej, pokud je možné, že jej upravil někdo jiný.
- Při změně směru na svazích buďte maximálně opatrní. S výrobkem jezděte po vrstevnicích. Nepohybujte se na svahu nahoru a dolů.
- Postupujte opatrně v blízkosti skrytých rohů a objektů, které mohou bránit ve výhledu.
- Zajistěte, aby vrták nenarazil do předmětů, jako jsou kameny a kořeny. Mohlo by dojít k poškození vrtáku a ohnutí hřídele motoru. Ohnutí hřídele motoru způsobuje velké vibrace a hrozí velmi vysoké riziko uvolnění vrtáku.
- Pokud vrták narazí do nějakého předmětu nebo se objeví vibrace, okamžitě zastavte výrobek. Zastavte motor, vytáhněte bezpečnostní klíček a vyjměte baterii. Vyčkejte na zastavení pohyblivých součástí. Zkontrolujte, zda není výrobek poškozený. Povolené díly dotáhněte. Opravte závady a vyměňte poškozené díly. Opravy by měl provést schválený servis.
- Po nastartování motoru nepřipevňujte páku pro provoz vrtáku trvale k rukojeti výrobku.
- Umístěte výrobek na stabilní, rovný povrch a nastartujte jej.
- Při provozu vždy stůjte za výrobkem.
- Při provozu nechte všechna kola spočívat na zemi a držte rukojeť oběma rukama.
- Ruce a nohy udržujte mimo dosah rotujícího vrtáku.
- Výrobek nenakláníjte při spuštění motoru nebo během provozu.
- Buďte opatrní při tažení výrobku dozadu.
- Výrobek nezvedejte, když je spuštěný motor. Pokud musíte výrobek zvednout, nejprve vypněte motor, vytáhněte bezpečnostní klíček a vyjměte baterii.
- Při provozování výrobku nechoďte směrem dozadu.
- Uvolněte páku pro provoz vrtáku, aby se vrták zastavil, když je nutné výrobek naklonit za účelem přepravy.
- Neběhejte s výrobkem, když je spuštěný motor. Při provozu výrobku vždy pouze chodte.
- Před změnou hloubky pokládání kabelu vypněte motor. Neupravujte nastavení při spuštěném motoru.
- Nenechávejte výrobek se spuštěným motorem bez dozoru. Vypněte motor a ujistěte se, že se vrták neotáčí.
- Vibrace spuštěného výrobku se mohou lišit od hodnoty uvedené v části *Technické údaje na straně 56*. Rozdíly způsobují různá použití výrobku. Pokud výrobek provozujete často nebo po delší časové intervaly, dělejte pravidelné přestávky, abyste předešli zraněním způsobeným vibracemi.

## Bezpečnost práce



**VÝSTRAHA:** Před použitím výrobku si přečtěte následující varování.

- Výrobek se používá k instalaci ohraničujícího a naváděcího vodiče pro robotické sekačky do země. K jiným činnostem výrobek nepoužívejte.
- Používejte osobní ochranné pomůcky. Další informace jsou uvedeny v části *Osobní ochranné prostředky na straně 47*.
- Ujistěte se, že víte, jak v případě nouze rychle zastavit motor.
- Neprovozujte výrobek v dešti a vlhku. Nebezpečí úrazu elektrickým proudem se zvyšuje, přijde-li výrobek do styku s vodou.
- Neprovozujte výrobek, pokud není správně namontovaný vrták a všechny kryty. Nesprávně připevněný vrták se může uvolnit a způsobit zranění.
- Před použitím výrobku, odklídte z pracovní oblasti předměty, jako jsou větve, větvičky a kameny.
- Předměty, které zachytí zařízení na pokládání kabelů, mohou být odmrštěny a způsobit zranění osob a poškození předmětů. Udržujte osoby v okolí a zvířata v bezpečné vzdálenosti od výrobku.
- Nikdy nepoužívejte výrobek za špatného počasí, jako je mlha, déšť, silný vítr, intenzivní chlad a nebezpečí blesku. Použití výrobku za špatného počasí nebo ve vlhkých či mokrych podmínkách je namáhavé. Nepříznivé počasí může vytvořit nebezpečné podmínky, např. kluzký povrch.
- Dávejte pozor na osoby, předměty a situace, které mohou bránit bezpečnému provozu výrobku.
- Dávejte pozor na překážky, jako jsou kořeny, kameny, větve, díry a příkopy. Vysoká tráva může překážky skrýt.
- Nepoužívejte výrobek na svahu se sklonem větším než 15°.

## Bezpečnostní pokyny pro provoz

Před použitím výrobku si přečtěte následující pokyny.

- Zkontrolujte, zda je kabel ve voditku kabelu nepoškozený.

- Zkontrolujte, zda je trubice v podávacím žeburu nepoškozená. Opatřebenou nebo poškozenou trubicí vyměňte.

(Obr. 16)

- Zkontrolujte, zda není okraj okolo otvoru ostrý nebo poškozený. Poškozené vodičko kabelu vyměňte.
- Zajistěte, aby byly všechny šrouby správně dotaženy.
- Zkontrolujte, zda jsou všechny páky v neutrální poloze.

## Osobní ochranné prostředky



**VÝSTRAHA:** Před použitím výrobku si přečtěte následující varování.

- Osobní ochranné prostředky nemohou zcela eliminovat nebezpečí úrazu, ale v případě nehody pomáhají snížit míru poranění. Požádejte prodejce, aby vám pomohl vybrat správné vybavení.
- Používejte odolnou obuv s protiskluzovou podrážkou. Nepoužívejte otevřenou obuv ani nepracujte naboso.
- Používejte silné, dlouhé kalhoty.
- Při určitých činnostech používejte ochranné rukavice, například při nasazování, prohlídce nebo čištění zařízení na pokládání kabelů.
- Doporučujeme používat ochranu sluchu.

## Bezpečnostní zařízení na produktu



**VÝSTRAHA:** Před použitím výrobku si přečtěte následující varování.

- Nepoužívejte výrobek s poškozenými bezpečnostními zařízeními nebo se zařízeními, která nefungují správně.
- Neodstraňujte ani neupravujte bezpečnostní zařízení.
- Pravidelně kontrolujte bezpečnostní zařízení. Pokud jsou bezpečnostní zařízení poškozená nebo nefungují správně, obraťte se na schválený servis Husqvarna.

## Bezpečnostní klíček

Bezpečnostní klíček se nachází pod víkem baterie. Bezpečnostní klíček připojuje baterii, která slouží jako napájecí zdroj motoru.

## Kontrola bezpečnostního klíčku

Bezpečnostní klíček připojuje baterii, která slouží jako napájecí zdroj motoru.

- Zapněte a vypněte motor. V případě správné funkce bezpečnostního klíčku se motor spustí, pouze když je klíček v bezpečnostním zámku.

## Páka pro provoz vrtáků

Páka pro provoz vrtáku zastavuje vrták. Po uvolnění páky pro provoz vrtáku se vrták zastaví.

Chcete-li zkontrolovat funkci páky pro provoz vrtáku, nastartujte motor a uvolněte páku pro provoz vrtáku. Pokud se vrták nezastaví do 3 sekund, obraťte se na schválený servis Husqvarna.

(Obr. 17)

## Bezpečnostní pokyny týkající se baterí



**VÝSTRAHA:** Před použitím výrobku si přečtěte následující varování.

- Dobíjecí baterie Husqvarna použijte jako zdroj napájení pouze pro příslušné výrobky Husqvarna. Abyste zabránili zranění, nepoužívejte baterii jako zdroj napájení pro jiná zařízení.
- Nepoužívejte baterie, které nejsou určené k dobíjení.
- Nebezpečí úrazu elektrickým proudem. Svorky baterie nepřipojujte ke klíčům, mincím, šroubkům nebo jiným kovovým předmětům. Může to způsobit zkrat baterie.
- Nevkládejte do větracích otvorů baterie žádné předměty.
- Chraňte baterii před sluncem, teplem nebo otevřeným ohněm. Baterie může explodovat a způsobit popáleniny nebo chemické popáleniny.
- Chraňte baterii před deštěm a vlhkým prostředím.
- Chraňte baterii před mikrovlnami a vysokým tlakem.
- Baterii nikdy nerozebírejte nebo nerozbíjejte.
- Pokud baterie netěsní, kapalina nesmí přijít do styku s kůží a očima. V případě styku s kapalinou omyjte zasaženou oblast velkým množstvím vody a vyhledejte lékařskou pomoc.
- Baterii ve výrobku používejte pouze při okolních teplotách v rozsahu 5–40 °C.
- Nabíječku používejte pouze při okolních teplotách v rozsahu 5–40 °C.
- Baterie se nebude nabíjet, pokud je její teplota vyšší než 50 °C.
- Baterii ani nabíječku baterií nečistěte vodou. Viz část *Čištění baterie nebo nabíječky baterií na strani 53*.
- Nepoužívejte poškozenou baterii.
- Baterie uchovávejte mimo dosah kovových předmětů, jako jsou např. hřebíky, mince nebo šperky.

## Bezpečnostní pokyny pro nabíječku baterií



**VÝSTRAHA:** Před použitím výrobku si přečtěte následující varování.

- Nabíječku QC používejte pouze pro nabíjení náhradních baterií Husqvarna.

- Hrozí nebezpečí zkratu a úrazu elektrickým proudem. Nevkládejte do větracích otvorů nabíječky žádné předměty. Nabíječku baterií nerozebírejte. Nepřipojujte svorky nabíječky ke kovovým předmětům. Používejte schválenou elektrickou zásuvku.
- Tento výrobek vytváří během provozu elektromagnetické pole. Toto pole může za určitých okolností narušovat funkci aktivních či pasivních implantovaných lékařských přístrojů. Za účelem snížení rizika možného zranění nebo smrtelného úrazu doporučujeme osobám s implantovanými lékařskými přístroji poradit se před použitím výrobku s lékařem a s výrobcem implantovaného lékařského přístroje.
- Pravidelně kontrolujte, zda není napájecí kabel poškozený a nejsou na něm praskliny.
- Nabíječku nezvedejte pomocí napájecího kabelu. Když nabíječku baterií odpojujete z elektrické zásuvky, tahejte za zástrčku. Netahejte za napájecí kabel.
- Uchovávejte napájecí kabel a prodlužovací šňůry mimo dosah vody, oleje a ostrých hran. Dejte pozor, aby nebyl kabel přivřen ve dveřích, nezachytil se za plot a podobně. Mohlo by dojít k probíjení nabíječky.
- Nečistěte nabíječku vodou.
- Nabíječku baterií smí používat děti starší 8 let a osoby se sníženými fyzickými, smyslovými nebo duševními schopnostmi nebo nedostatečnými zkušenostmi či znalostmi pod dozorem odpovědné osoby nebo pokud jim takováto osoba poskytne pokyny, které zajistí, že budou nabíječku používat bezpečným způsobem. Děti si s nabíječkou nesmí hrát. Čištění a údržbu nesmí provádět děti bez dozoru.
- V nabíječce nenabíjejte baterie, které nejsou dobíjecí.
- Nabíječku nepoužívejte v blízkosti hořlavých nebo korozivních materiálů. Nabíječku baterií

nezakrývejte. V případě, že zaznamenáte kouř nebo požár, vytáhněte zástrčku kabelu nabíječky baterií ze zásuvky.

- Nepoužívejte poškozenou nabíječku.
- Baterii nabíjejte pouze uvnitř, a to v dobře odvětrané místnosti a mimo dosah slunečních paprsků. Nenabíjejte baterii ve vlhkém prostředí.

## Bezpečnostní pokyny pro údržbu



**VÝSTRAHA:** Před použitím výrobku si přečtěte následující varování.

- Před prováděním údržby výrobku vyjměte bezpečnostní klíček.
- Správným provedením údržby zvýšíte životnost výrobku a snížíte nebezpečí nehod. Odborné opravy by měl provést schválený servisní pracovník. Pro další informace se obraťte na nejbližšího servisního pracovníka.
- Provádějte pouze údržbu uvedenou v tomto návodu k používání.
- Při kontaktu se zařízením na pokládání kabelů používejte odolné rukavice.
- Pro dosažení nejlepších výsledků a bezpečnosti udržujte výrobek čistý.
- Zajistěte pravidelné kontroly a provádění potřebného seřízení a oprav výrobku u servisního pracovníka.
- Poškozené, opotřeбенé či prasklé součásti vyměňte.
- Dodržujte pokyny pro výměnu příslušenství. Používejte výhradně příslušenství od výrobce.
- Pokud není výrobek, baterie a nabíječka baterií právě v provozu, uchovávejte je samostatně v suchém, vnitřním a uzamčeném prostoru. Zajistěte, aby k výrobku, baterii či nabíječce baterií neměly přístup děti ani nepovolané osoby.

## Montáž

### Úvod



**VÝSTRAHA:** Než začnete montovat výrobek, přečtěte si pozorně kapitolu o bezpečnosti.

### Instalace vrtáku

1. Vložte vrták (A) do hlavy vrtáku (B) a namontujte dlouhý šroub (C). (Obr. 18)

**Povšimněte si:** K instalaci vrtáku je nutný šestihřanný klíč 6 mm.

2. Namontujte hlavu vrtáku na hřídel (D) pomocí krátkého šroubu (E).
3. Utáhněte šrouby.

### Instalace kabelu

Výrobek je vybaven navijčem kabelu se spojkou, který lze demontovat.

1. Nasaďte kabel na navijč kabelu. Pomocí knoflíku otáčejte navijčem kabelu ve směru hodinových ručiček.

**Povšimněte si:** Kabel musí být na navijč kabelu instalován ve směru hodinových ručiček, aby se během provozu plynule odvíjel. (Obr. 19)

2. Zatlačte kabel do trubice v podávacím žeburu (A), dokud nebude kabel vyčnívat ze spodní části (B) přibližně 5 cm. (Obr. 20)



## Montáž a demontáž navijče kabelu

1. Povolte knoflík (A). (Obr. 21)
2. Demontujte držák (B).
3. Demontujte navijč kabelu (C).

4. Namontujte navijč kabelu (D). V případě potřeby použijte adaptér. (Obr. 22)
5. Namontujte držák (E) a dotáhněte knoflík (F).

## Provoz

### Úvod



**VÝSTRAHA:** Před používáním produktu je třeba, abyste si přečetli a porozuměli kapitole o bezpečnosti.

### Husqvarna Fleet Services™

Husqvarna Fleet Services™ je cloudové řešení, které poskytuje obsluhu přehled o všech výrobcích, které jsou připojeny. Na tento výrobek lze nainstalovat snímač Husqvarna Fleet Services™. Snímač Husqvarna Fleet Services™ shromažďuje údaje o výrobku a umožňuje připojení k systému Husqvarna Fleet Services™. Systém Husqvarna Fleet Services™ hlásí data, jako jsou doba provozu, intervaly údržby a umístění výrobku.

Chcete-li získat další informace o systému Husqvarna Fleet Services™, stáhněte si aplikaci Husqvarna Fleet Services™ nebo se obraťte na zástupce společnosti Husqvarna.

### Připrava senzoru (příslušenství)

1. Pomocí klíče snímače otevřete víko snímače. (Obr. 23)
2. Demontujte snímač.
3. Připojte baterii ke snímači. Rozsvítí se kontrolka LED snímače. (Obr. 24)
4. Stáhněte si aplikaci Husqvarna Fleet Services™.
5. Přihlaste se do aplikace Husqvarna Fleet Services™.
6. Proveďte spárování. Viz část *Spárování aplikace a výrobku na strani 49*

### Spárování aplikace a výrobku

1. Přihlaste se do aplikace Husqvarna Fleet Services™.
2. V aplikaci vyberte svůj výrobek.
3. Naskenujte kód za snímačem pomocí mobilního zařízení a nainstalujte snímač do aplikace.

**Povšimněte si:** Spárování aplikace a výrobku je nutné provést pouze jednou.

### Montáž snímače

1. Ujistěte se, že je snímač připojen k aplikaci Husqvarna Fleet Services™. Další informace jsou uvedeny v části *Spárování aplikace a výrobku na strani 49*.
2. Vytvřtejte 2 otvory podle značek ve skříní. (Obr. 25)

**Povšimněte si:** Ujistěte se, že otvory mají stejný rozměr jako nýty dodané se snímačem.

3. Pomocí kleští odstraňte vnější otvory na slotu snímače. (Obr. 26)
4. Vytvřtejte 2 otvory podle značek na slotu snímače. (Obr. 27)
5. Zarovnejte slot snímače se slotem ve skříní. (Obr. 28)
6. Připevňte slot snímače pomocí nýtů.
7. Nainstalujte snímač do slotu snímače. Zarovnejte bílou značku na snímači se značkou na slotu snímače. (Obr. 29)
8. Zavřete víko snímače a zajistěte jej klíčem snímače. Ujistěte se, že horní část písmene „H“ Husqvarna směřuje od bezpečnostního klíče. (Obr. 30)

### Baterie



**VÝSTRAHA:** Před použitím baterie je třeba, abyste si přečetli a porozuměli kapitole o bezpečnosti. Rovněž je nezbytné, abyste si přečetli a pochopili návod k používání baterie a nabíječky baterií.

Baterii i nabíječku skladujte za správné okolní teploty.

	Okolní teplota
Provoz baterie	5 až 40 °C
Nabíjení baterie	5 až 40 °C

### Stav baterie

Displej ukazuje zbývající kapacitu baterie a zda došlo k problémům s baterií. Kapacita baterie se zobrazuje 5 sekund po vypnutí produktu nebo po stisku tlačítka ukazatele stavu baterie. Pokud dojde k chybě, rozsvítí se na baterii výstražný symbol. Viz *Baterie na strani 54*.

(Obr. 31)

Kontrolky LED	Stav baterie
Všechny kontrolky LED svítí	Plně nabití (75–100 %).
Svítil kontrolky LED 1, LED 2, LED 3.	Nabití baterie je 50–75 %.

Kontrolky LED	Stav baterie
Svítil kontrolky LED 1, LED 2.	Nabití baterie je 25–50 %.
Svítil kontrolka LED 1.	Baterie je nabitá na 0–20 %.
Bliká kontrolka LED 1.	Baterie je vybitá. Nabijte baterii.

## Nabití baterie

Před prvním použitím baterii nabijte. Baterie je při dodání zákazníkovi nabitá pouze na 30 %.

**Povšimněte si:** Nabíječka baterií musí být připojena ke zdroji o napětí a frekvenci uvedené na typovém štítku.

Pokud teplota baterie přesahuje 50 °C, baterie se nenabíjí. Před zahájením nabíjení zajistit nabíječka baterií snížení teploty baterie.

1. Připojte jeden konec napájecího kabelu nabíječky baterií do zásuvky na nabíječe baterií.
2. Připojte druhý konec napájecího kabelu nabíječky baterií do uzemněné elektrické zásuvky. Kontrolka LED na nabíječe baterií jednou zeleně blikne. (Obr. 32)
3. Vložte baterii do nabíječky baterií. Když je baterie správně připojena k nabíječe baterií, rozsvítí se na nabíječe zelené světlo. (Obr. 33)
4. Když svítí všechny kontrolky LED baterie, baterie je plně nabitá. Baterii nabíjejte maximálně po dobu 24 hodin.
5. Když nabíječku baterií odpojujete z elektrické zásuvky, tahejte za zástrčku, nikoliv za kabel.
6. Vyjměte baterii z nabíječky.

## Stav nabíjení baterie

Lithium-iontové baterie Husqvarna lze nabíjet i používat bez ohledu na jejich úroveň nabití. Baterie není poškozená. I když plně nabitou baterii ponecháte v nabíječe, nedojde k poklesu jejího nabití.

LED displej	Stav nabíjení
Bliká kontrolka LED 1.	0–25 %
Svítil kontrolka LED 1, bliká kontrolka LED 2.	25–50 %
Svítil kontrolky LED 1, LED 2, bliká kontrolka LED 3.	50–75 %
Svítil kontrolky LED 1, LED 2, LED 3, bliká kontrolka LED 4.	75–100 %

LED displej	Stav nabíjení
Svítil kontrolky LED 1, LED 2, LED 3, LED 4.	Plně nabitá

## Před provozem výrobku

1. V létě nebo pokud je půda suchá, zalijte den před provozem pracovní oblast vodou.
2. Ujistěte se, že se ve vzdálenosti nejméně 20 m od výrobku nacházejí žádné osoby ani zvířata.
3. Nasaďte kabel na navíječ kabelu. Další informace jsou uvedeny v části *Instalace kabelu na strani 48*.
4. Nastavte hloubku pokládání kabelu. Další informace jsou uvedeny v části *Nastavení hloubky pokládání kabelu na strani 50*.
5. Připevněte konec kabelu ke kolíku.

## Spuštění výrobku

1. Naklopte říditka do strany. Viz část *Naklopení říditků na strani 51*.
2. Otevřete víko baterie.
3. Vložte nabitou baterii do slotu baterie číslo 1 pod víkem baterie. Pro dosažení delší doby provozu vložte druhou baterii do slotu číslo 2.
4. Vyjměte bezpečnostní klíč z držáku bezpečnostního klíče.
5. Vložte bezpečnostní klíč do bezpečnostního zámku. (Obr. 34)
6. Postavte se za výrobek.
7. Stiskněte tlačítko pohotovostního režimu (A) na ovládacím panelu. Rozsvítí se kontrolka pohotovostního režimu (B). (Obr. 35)
8. Stiskněte vypínač (C), dokud nezůstane zatlačený. Motor se spustí.



**VAROVÁNÍ:** Nepoužívejte výrobek, pokud bliká červená kontrolka (D).

9. Vrták spustíte zatlačením páky pro provoz vrtáku směrem k říditkům. (Obr. 36)

## Použití pohonu kol

- Pohon kol zapojíte přitažením páky pro ovládání pojezdu (A) směrem k říditkům. (Obr. 37)
- Pohon kol odpojíte uvolněním páky pro ovládání pojezdu.

## Nastavení hloubky pokládání kabelu

1. Povolte knoflík (A). (Obr. 38)
2. Nastavte opěrné kolo (B) na požadovanou hloubku pokládání kabelu a utáhněte knoflík.

---

**Povšimněte si:** Čísla (C) na boku trubky opěrného kola ukazují hloubku pokládání kabelů v cm. Hloubku pokládání kabelu lze nastavit v rozmezí 1 až 6 cm.

---

## Nastavení výšky řídítek

Výšku řídítek je možné nastavit do 5 poloh.

1. Otočte rukojeť (A) proti směru hodinových ručiček, aby se uvolnila, a demontujte knoflík (B). (Obr. 39)
2. Nastavte výšku řídítek a namontujte knoflík do otvoru nejbližší polohy.
3. Utáhněte rukojeť otáčením ve směru hodinových ručiček.

## Naklopení řídítek

Řídítka můžete naklopit, abyste při práci s výrobkem zabránili nárazu do překážek. Řídítka lze naklopit do 4 poloh na pravé straně a do 4 poloh na levé straně.

1. Zatáhněte páku pro naklápění řídítek (A) směrem k řídítkům do krajní polohy a přidržte ji. Páka pro naklápění řídítek se nachází v levé dolní části řídítek. (Obr. 40)
2. Naklopte řídítka do jedné ze 4 poloh na levé nebo pravé straně a uvolněte páku pro naklápění řídítek. Zkontrolujte, zda je kolík, který zajišťuje polohu řídítek, v jednom z otvorů. (Obr. 41)

## Zablokování funkce otáčení podávacího žebra

Chcete-li zvýšit přesnost směru při instalaci kabelu v dlouhých rovinných úsecích, můžete zablokovat funkci otáčení podávacího žebra.

- Zkontrolujte, zda je podávací žebro ve stejném směru jako výrobek, a utáhněte rukojeť (A). (Obr. 42)

## Nastavení vodička kabelu

Výrobek je nastaven pro 4mm kabely. Pokud má kabel větší průměr, je třeba seřídit vodičko kabelu.

1. Povolte 2 šrouby. (Obr. 43)
2. Posuňte vodičko kabelu o několik milimetrů nahoru.
3. Dotáhněte 2 šrouby.

## Seřízení rozchodu kol

Polohu kol lze nastavit pro různé rozchody kol. V levé poloze jsou 4 seřizovací otvory a v pravé poloze jsou 4 seřizovací otvory. Rozchod kol lze nastavit na vzdálenost 250, 270, 290 nebo 310 mm od středu vrtáku. (Obr. 44)

1. Vytáhněte kolík (A).
2. Nastavte kola na požadovaný rozchod kol.

3. Vložte kolík do jednoho ze 4 otvorů (B) v ose.
4. Zajištěte bezpečnostní pružinu.

## Zahájení práce

Po instalaci kabelu a vrtáku musí obsluha upevnit kabel k zemi.

1. Zatlučte kolík do země.
2. Připevněte část kabelu, která vychází ze spodní části vodička kabelu, ke kolíku.

## Použití 2kabelového vedení

Pokud výrobek vyjíždí z vnějšího obvodu pracovního oblasti, je nutné instalovat 2 kabely současně.

1. Nainstalujte jeden kabel po celém obvodu. Viz obrázek (A) a (B). (Obr. 45) (Obr. 46)
2. V bodě znázorněném na obrázku (C) umístěte opěrné kolo do nejvyšší polohy, aby se podávací žebro dostalo ven z půdy. Připevněte kabel pomocí kolíku a pokračujte s kabelem nad zemí, dokud nebudete v dalším bodě. (Obr. 47)
3. Připevněte kabel kolíkem v bodě znázorněném na obrázku (D). (Obr. 48)
4. Umístěte podávací žebro do správné hloubky pokládání kabelu, pokračujte v instalaci kabelu a vytvořte tak ostrůvek. Viz obrázek (E). (Obr. 49)
5. Jakmile dosáhnete místa vyznačeného na obrázku (F), vyjměte kolík a vyčistěte podávací žebro. Další informace jsou uvedeny v části *Čištění podávacího žebra na strani 52*. (Obr. 50)
6. Umístěte kabel nad zem do vodička kabelu. (Obr. 51)
7. Instalujte 2 kabely současně až do bodu uvedeného na obrázku (G). Připevněte 2 kabely ke kolíku a odpojte druhý kabel z vodička kabelu. (Obr. 52)
8. Pokračujte v instalaci obvodového kabelu do bodu znázorněného na obrázku (H). (Obr. 53)

## Zastavení výrobku

Výrobek se automaticky vypne po 3 minutách, kdy s ním nepracujete.

1. Uvolněte páku pojezdu (A) a vypněte pohon kol. (Obr. 37)
2. Uvolněním páky pro provoz vrtáku zastavíte vrták. (Obr. 17)
3. Stiskněte vypínač na ovládacím panelu.
4. Stiskněte tlačítko pohotovostního režimu na ovládacím panelu.
5. Otevřete víko baterie.
6. Vyjměte bezpečnostní klíč z bezpečnostního zámku a vložte jej do držáku bezpečnostního klíče.
7. K čištění podávacího žebra použijte škrabku. Další informace jsou uvedeny v části *Čištění podávacího žebra na strani 52*.

8. Po každém provozu vyčistěte a promažte hlavu vrtáku. Další informace jsou uvedeny v části *Čištění a mazání hlavy vrtáku na strani 53.*

## Údržba

### Úvod



**VÝSTRAHA:** Před prováděním údržby je třeba, abyste si přečetli kapitolu o bezpečnosti a porozuměli jí.

Pro servis a opravy výrobku je nezbytné speciální školení. Garantujeme dostupnost profesionálních oprav a servisu.

Podrobnější informace jsou uvedeny v části [www.husqvarna.com](http://www.husqvarna.com).

### Plán údržby

Intervaly údržby se vypočítávají na základě každodenního používání výrobku. Intervaly se mění, není-li výrobek používán denně.

Pro údržbu označenou symbolem \* najdete pokyny v části *Bezpečnostní zařízení na produktu na strani 47.*

	Každé použití	Měsíčně	Každou sezónu
Proveďte běžnou kontrolu.	X		
Zkontrolujte, zda nejsou vadná bezpečnostní zařízení výrobku.*	X		
Zkontrolujte vrták a podávací žebro.	X		
Zkontrolujte páku pro provoz vrtáku*.	X		
Přesvědčte se, že vypínač funguje a není vadný.	X		
Zkontrolujte, zda není baterie poškozena.	X		
Zkontrolujte úroveň nabití baterie.	X		
Zkontrolujte, zda na baterii fungují tlačítka pro uvolnění baterie a zda baterii drží ve výrobku.	X		
Vyčistěte přívody vzduchu na motoru. Ujistěte se, že na přívodech vzduchu není tráva ani nečistoty.	X		
Promažte nelakované díly.	X		
Promažte díly v místech, kde došlo k sednění pozinkování.	X		
Vyčistěte a promažte hlavu vrtáku.	X		
Vyčistěte podávací žebro.	X		
Zkontrolujte, zda není nabíječka baterií poškozena a ujistěte se, že funguje správně.		X	
Zkontrolujte připojení mezi baterií a výrobkem. Rovněž zkontrolujte připojení mezi baterií a nabíječkou baterií.			X

### Čištění podávacího žebra

- Pomocí škrabky odstraňte zeminu a vyčistěte podávací žebro. (Obr. 54)

### Výměna podávacího žebra

- Nakloňte výrobek dopředu a pomalu jej položte na zem.

- Odmontujte 2 šrouby (A) a podávací žebro (B). (Obr. 55)
- Montáž nového podávacího žebra proveďte v opačném pořadí.

### Výměna vrtáku

- Odstraňte z výrobku trávu a nečistoty.



**VAROVÁNÍ:** Zajistěte, aby se do vrtáku během postupu instalace nedostaly nečistoty nebo jiné nežádoucí materiály.

**Povšimněte si:** Po každé práci vyčistěte a promažte pouzdro vrtáku.

2. Vyšroubujte krátký šroub (A) a odeberte hlavu vrtáku (B) z hřídele (C). (Obr. 56)

**Povšimněte si:** K výměně vrtáku je nutný šestihranný klíč 6 mm.

3. Vyšroubujte dlouhý šroub (D) a odeberte vrták (E) z hlavy vrtáku.
4. Vložte nový vrták do hlavy vrtáku a namontujte dlouhý šroub.
5. Namontujte hlavu vrtáku na hřídel.
6. Utáhněte šrouby.

## Čištění a mazání hlavy vrtáku

Po každém provozu zcela vyčistěte hlavu vrtáku.

1. Nakloňte výrobek dopředu a pomalu jej položte na zem.
2. Měkkým kartáčem odstraňte trávu, nečistoty a nežádoucí materiály.
3. Pomocí stlačeného vzduchu odstraňte menší částičky trávy a nečistoty.
4. Vyšroubujte šrouby (A) z hlavy vrtáku (B) a vyjměte vrták (C). (Obr. 56)

5. Povolte 2 šrouby (D) a demontujte podávací žebro (E). (Obr. 57)
6. Vyšroubujte šroub (F) a sejměte hlavu vrtáku (G) z hřídele (H). (Obr. 58)
7. K čištění výrobku použijte stlačený vzduch. Ujistěte se, že jsou odstraněny všechny nečistoty, tráva a další nežádoucí materiály.
8. V případě potřeby odstraňte znečištěné mazivo vhodným rozpouštědlem.
9. Vyčistěte všechny součásti vhodným rozpouštědlem a promažte všechny součásti.
10. Na hřídel naneste mazivo odpuzující vodu. (Obr. 59)

## Čištění baterie nebo nabíječky baterií



**VÝSTRAHA:** Baterii ani nabíječku baterií nečistěte vodou.



**VÝSTRAHA:** K čištění baterie nepoužívejte žádné chemické látky.

- Než vložíte baterii do nabíječky, zkontrolujte, zda jsou baterie a nabíječka baterie čisté a suché.
- Očistěte kontakty baterie stlačeným vzduchem nebo použijte měkkou a suchou utěrku.
- Očistěte povrch baterie a nabíječku baterie měkkou a suchou utěrkou.

## Odstraňování problémů

### Odstraňování problémů

Pokud nedokážete najít řešení problému v tomto návodu k používání, obraťte se na servisního pracovníka společnosti Husqvarna.

Problém	Příčina
Motor nestartuje.	Baterie není nabitá.
	Baterie není správně nainstalována.
	Baterie je vadná.
	Ovládací panel je vadný.
Vrták se neotáčí.	Řemen je opotřebený.
	Řemen vypadl z řemenic.
	Páka nezajišťuje dostatečné napnutí řemene.
Vrták se otáčí i po uvolnění páky pro provoz vrtáku.	Lanko z páky pro provoz vrtáku je opotřebené nebo poškozené.

Problém	Příčina
Výrobek nepracuje správně.	Vrták je opotřebený nebo poškozený.
	Vrták není správně nainstalován.
Výrobek se nepohybuje, když je aktivována páka pojezdu.	Lanko z páky pojezdu je opotřebené nebo poškozené.
	Řemeny převodovky jsou opotřebené.
	Řetěz je prasklý nebo není dostatečně napnutý.
	Lamely spojky ve skříni převodovky jsou opotřebené.
Hlavu vrtáku nelze vyjmout.	V jednotce je nežádoucí materiál.
	Oxidace uvnitř systému.
Izolace kabelu instalovaného do země je poškozená.	Otvor pro výstup kabelu na podávacím žeburu je poškozený.
	Trubice, která obsahuje kabel a která je součástí podávacího žebra, je znečištěná.

## Baterie

Kontrolka LED na baterii	Příčina	Řešení
Zelená kontrolka LED bliká.	Napětí baterie je nízké.	Nabijte baterii. Další informace naleznete v části <i>Nabití baterie na strani 50</i> .
Chybová kontrolka LED bliká.	Baterie je slabá.	Nabijte baterii. Další informace naleznete v části <i>Baterie na strani 54</i> .
	Teplota v pracovním prostředí je příliš vysoká nebo nízká.	Baterii použijte při teplotě $-10\text{ °C}$ až $40\text{ °C}$ .
	Přepětí.	Zkontrolujte, zda napětí elektrické sítě odpovídá napětí uvedenému na typovém štítku výrobku. Vyjměte baterii z nabíječky. Počkejte 5 sekund a zkuste baterii znovu nabít. Pokud potíže přetrvávají, obraťte se na schváleného servisního pracovníka.
Chybová kontrolka LED svítí.	Příliš velký rozdíl napětí článku (1 V).	Obraťte se na schváleného servisního pracovníka.

## Nabíječka baterií

Kontrolka LED na nabíječce baterií	Příčina	Řešení
Chybová kontrolka LED bliká.	Teplota v pracovním prostředí je příliš vysoká nebo nízká.	Nabíječku baterií použijte při teplotě 5 °C až 40 °C.
Chybová kontrolka LED svítí.		Obraťte se na schváleného servisního pracovníka.

## Ovládací panel

Chybový kód (počet bliknutí)	Možné závady	Možné řešení
5	Otáčky motoru klesnou příliš nízkou a motor se zastaví.	Vyčistěte hlavu vrtáku a snižte hloubku pokládání kabelů. Další informace jsou uvedeny v části <i>Čištění a mazání hlavy vrtáku na strani 53</i> a <i>Nastavení hloubky pokládání kabelu na strani 50</i> . Pokud chyba přetrvává, obraťte se na schváleného servisního pracovníka.
8	Baterie je slabá.	Nabijte baterii. Další informace jsou uvedeny v části <i>Nabití baterie na strani 50</i> .
9	Chyba baterie nebo žádný signál z baterie.	Vložte správně baterii do výrobku a zkontrolujte konektor baterie. Pokud chybová kontrolka LED na baterii bliká, vyhledejte informace v části <i>Baterie na strani 54</i> .
10	Došlo k přehřátí ovládání motoru.	Zastavte motor a počkejte, než vychladne.
Jiné chyby	Pokud se objeví jiná chyba, vytáhněte bezpečnostní klíček a baterii a obraťte se na schváleného servisního pracovníka.	

## Přeprava, skladování a likvidace

### Úvod



**VÝSTRAHA:** Neúmyslnému spuštění během přepravy můžete zabránit tím, že vytáhněte bezpečnostní klíček a baterii a počkáte alespoň 5 sekund.

- Přeplepte konektory baterie páskou a zajistěte, aby se baterie při přepravě nemohla pohybovat.
- Během přepravy výrobek zajistěte.

### Skladování

### Přeprava

- Na dodané Li-ion baterie se vztahují požadavky legislativy o nebezpečném zboží.
- Při komerční přepravě musí být dodrženy speciální požadavky na balení a označení.
- Při přípravě výrobku k přepravě nezapomeňte dbát předpisů pro nebezpečné materiály. Mohou platit místní předpisy.
- Při přepravě vždy vyjměte baterii.

- Před uložením nechte výrobek vychladnout.
- Při skladování baterii vždy vyjímajte.
- Abyste zabránili nehodám, zajistěte, aby při skladování nebyla baterie připojená k výrobku.
- Nabíječku baterií uchovávejte na uzavřeném a suchém místě.
- Baterii a nabíječku baterií uchovávejte na suchém místě, kde nehrozí vlhkost či mráz.
- Při skladování baterii odpojte od nabíječky baterií.
- Neskladujte baterii v místech, kde může docházet k výbojům statické elektřiny. Neskladujte baterii v kovovém obalu.

- Umístěte výrobek na místo, kde je teplota v rozsahu -10 až 40 °C.
- Baterii uchovávejte na místě s teplotou mezi 5 a 25 °C a mimo dosah slunečních paprsků.
- Nabíječku baterií uchovávejte na místě s teplotou mezi 5 a 45 °C a mimo dosah slunečních paprsků.
- Ujistěte se, že je baterie před dlouhodobým uskladněním nabitá na 30 % až 50 %.
- Produkt, baterii a nabíječku baterií skladujte v uzamčeném prostoru mimo dosah dětí a nepovolaných osob.
- Vyčistěte výrobek.
- Proveďte postupy údržby uvedené v tomto návodu k používání. Další informace jsou uvedeny v části *Plán údržby na strani 52*.
- Před dlouhodobým skladováním proveďte kompletní údržbu výrobku.

## Likvidace

Symbols na produktu nebo jeho obalu označují, že tento výrobek nesmí být likvidován jako domácí odpad. Musí být odevzdán do příslušné recyklační stanice pro recyklaci elektrických a elektronických zařízení.

Zajištěním odpovídající likvidace tohoto výrobku pomůžete zabránit potenciálnímu negativnímu dopadu na životní prostředí a zdraví lidí, který by jinak mohl být důsledkem nesprávné likvidace tohoto výrobku. Podrobnější informace o recyklaci tohoto výrobku získáte na městském úřadě, u služby zajišťující zpracování domácího odpadu nebo v prodejně, kde jste výrobek zakoupili.

(Obr. 60)

## Technické údaje

<b>Motor vrtáku</b>	
Typ motoru	BLDC (bezkontaktní) 36V
Otáčky motoru – jmenovité, ot/min	3000/min
Otáčky motoru – vysoké zatížení, ot/min	3300/min
Výkon motoru – maximální, kW	1,8
Výkon motoru – jmenovitý, kW	1,2
Převodovka	Mechanická převodovka s převody v olejové lázni
Spojka	Řemenová, s řemenicí
<b>Hmotnost</b>	
Hmotnost bez baterie, kg	39
Hmotnost včetně 2 baterií BLi300, kg	43
<b>Baterie</b>	
Typ baterie	Řada baterií Husqvarna
<b>Doba provozu baterie</b>	
Provozní doba baterie (min) <sup>9</sup>	38
<b>Emise hluku <sup>10</sup></b>	
Hladina akustického výkonu, změřená L <sub>WA</sub> dB (A)	84
Hladina akustického výkonu, zaručená L <sub>WA</sub> dB (A)	86
<b>Hladiny hluku <sup>11</sup></b>	

<sup>9</sup> Volný chod, měřeno se zapnutým standardním režimem a 1 baterií Husqvarna 9,4 Ah (BLi300).

<sup>10</sup> Emise hluku do okolního prostředí měřené jako akustický výkon (L<sub>WA</sub>) v souladu se směrnicí 2000/14/ES.

<sup>11</sup> Uváděná data pro hladinu tlaku zvuku mají typickou statistickou odchylku (standardní odchylku) 1,2 dB (A).



Hladina akustického tlaku na sluch obsluhy, dB (A)	66
<b>Úrovně vibrací<sup>12</sup></b>	
Rukojeť, m/s <sup>2</sup>	1,8
<b>Zařízení na pokládání kabelů</b>	
Hloubka pokládání kabelu, cm	1–6
Vzdálenost mezi vrtákem a okrajem kola, mm	250, 270, 290, 310
Vrták	597 04 84-01

Schválené baterie	Značka	Typ	Kapacita baterie, Ah	Napětí, V	Hmotnost, kg
BLi300	Husqvarna	Lithium-iontová	9,4	36	4,1

Schválené nabíječky pro uvedené baterie, BLi	Značka	Vstupní napětí, V	Frekvence, Hz	Výkon, W
QC500	Husqvarna	100–240	50–60	500

<sup>12</sup> Uváděná data o úrovni vibrací mají typickou statistickou odchylku (standardní odchylku) 0,2 m/s<sup>2</sup>. Norma vibrací EN 1032+A1:2009.

# Prohlášení o shodě

## Prohlášení o shodě EU

Společnost **Husqvarna AB**, SE-561 82 Huskvarna,  
Švédsko, tel.: +46-36-146500, na svou výhradní  
odpovědnost prohlašuje, že výrobek:

<b>Popis</b>	Pokladač kabelů
<b>Značka</b>	Husqvarna
<b>Typ/Model</b>	CL400i
<b>Identifikace</b>	Výrobní čísla od roku 2022 a dále

je zcela ve shodě s následujícími směrnicemi a předpisy  
EU:

<b>Nařízení</b>	<b>Popis</b>
2006/42/ES	„o strojních zařízeních“
2014/30/EU	„o elektromagnetické kompatibilitě“
2011/65/EU	„o omezení používání některých nebezpečných látek v elektrických a elektronických zařízeních“

a že byly použity následující normy nebo technické  
specifikace: EN ISO 12100:2010, EN ISO 14119:2013,  
EN ISO 14120:2015, EN ISO 13857:2019, EN  
62841-1:2015+AC:2015, EN ISO 11202:2010, EN  
1032:2009, EN 55014-1:2017, EN 55014-2:2015, EN  
63000:2018.

Informace o emisích hluku najdete v části *Technické  
údaje na strani 56*.

Huskvarna, 2022-03-21



Claes Losdal, Development Manager/Garden Products  
(ředitel vývoje zahradního sortimentu), Husqvarna AB

Osoba odpovědná za technickou dokumentaci



---

## Indhold

---

Indledning.....	59	Fejlfinding.....	69
Sikkerhed.....	60	Transport, opbevaring og bortskaffelse.....	71
Montering.....	64	Tekniske data.....	72
Drift.....	65	Overensstemmelseserklæring.....	74
Vedligeholdelse.....	68		

---

## Indledning

---

### Produktbeskrivelse

Produktet er en kabellægger med gående fører.

### Produktoversigt

(Fig. 1)

1. Borets betjeningsbøjle
2. Bøjle til vipning af styr
3. Bøjle til fremtræk
4. Tæller
5. Kabelopvikler
6. Indføringsfinne
7. Bor
8. Betjeningspanel
9. Sikkerhedsnøgle
10. Batteri (tilbehør)
11. Batterioplader (tilbehør)
12. Brugervejledning

### Symboler på produktet

(Fig. 2)      ADVARSEL

(Fig. 3)      Advarsel: Roterende dele. Hold hænder og fødder på sikker afstand.

(Fig. 4)      Pas på udslyngede genstande og rikochettering.

(Fig. 5)      Læs instruktionerne.

(Fig. 6)      Hold uvedkommende personer og dyr på sikker afstand af arbejdsstedet.

(Fig. 7)      Risiko for øjenskade på tilskuere.

(Fig. 8)      Må ikke udsættes for regn.

(Fig. 9)      Brug et beskyttende visir.

(Fig. 10)      Standbytilstand (sort knap).

### Anvendelsesformål

Brug produktet til at lægge afgrænsningskablet og guidekablet til robotplæneklippere ned i jorden. Brug ikke produktet til andre opgaver.

(Fig. 10)      Start og stop motoren (rød knap).

(Fig. 11)      Produktet og produktemballagen er ikke almindeligt husholdningsaffald. Aflever det på en genbrugsstation til elektrisk og elektronisk udstyr.

(Fig. 12)      Produktet er i overensstemmelse med gældende EF-direktiver.

(Fig. 13)      Dette produkt er i overensstemmelse med gældende UK-bestemmelser.

(Fig. 14)      Mærkat vedrørende emission af støj til omgivelserne i henhold til direktiver og regulativer i EU og Storbritannien og New South Wales' lovgivning om "Beskyttelse af miljøet (støjbegrensning) forordning 2017". Produktets garanterede lydeffektniveau er angivet i *Tekniske data på side 72* og på mærkaten.

(Fig. 15)      Produktet er drypbeskyttet.

---

**Bemærk:** Andre symboler/mærkater på produktet henviser til certificeringskrav på visse markeder.

---

### Skader på produktet

Vi er ikke ansvarlige for skader på vores produkt, hvis:

- produktet er forkert repareret.
- produktet er repareret med dele, der ikke er fra producenten eller ikke er godkendt af producenten
- produktet har tilbehør, der ikke er fra producenten eller ikke er godkendt af producenten.
- produktet ikke er repareret på et godkendt servicecenter eller af en godkendt myndighed.

---

# Sikkerhed

---

## Sikkerhedsdefinitioner

Advarsler, forholdsregler og bemærkninger bruges til at pege på særligt vigtige dele af brugsanvisningen.



**ADVARSEL:** Bruges, hvis føreren udsætter sig selv eller omkringstående personer for risiko for personskade eller dødsfald ved tilsidesættelse af instruktionerne i brugsanvisningen.



**BEMÆRK:** Bruges, hvis der er risiko for skader på produktet, andre materialer eller det omgivende område ved tilsidesættelse af instruktionerne i brugsanvisningen.

**Bemærk:** Bruges til at give yderligere oplysninger, der er nødvendige i en given situation.

## Generelle sikkerhedsadvarsler for produktet



**ADVARSEL:** Læs alle sikkerhedsadvarsler, instruktioner, illustrationer og specifikationer, der følger med dette produkt. Hvis du ignorerer de nedenfor anførte instruktioner, kan det medføre elektrisk stød, brand og/eller alvorlige skader.

**Opbevar alle advarsler og instruktioner til senere brug.** Betegnelsen "produkt" i advarselene henviser til dit produkt, som drives af strøm fra elektricitetsnettet (med ledning) eller fra batteri (ledningsfrit).

## Sikkerhed i arbejdsområdet

- **Hold arbejdsområdet rent og godt oplyst.** Rodede eller mørke områder er en invitation til ulykker.
- **Betjen ikke produktet i områder med eksplosionsfare som f.eks. i nærheden af brændbare væsker, luftarter eller støv.** Produktet danner gnister, som kan antænde støvet eller dampene.
- **Hold børn og omkringstående personer væk, mens produktet betjenes.** Distraction kan få dig til at miste styringen.

## Elektrisk sikkerhed

- **Stikket på produktet skal passe til stikkontakten. Man må aldrig ændre på stikket. Benyt ikke adapterstik i forbindelse med jordet produkt.** Uændrede stik og passende stikkontakter reducerer risikoen for elektrisk stød.
- **Undgå kropskontakt med jodede genstande som f.eks. rør, radiatorer, komfurer og køleskabe.** Der

er øget risiko for elektrisk stød, hvis din krop har forbindelse til jord.

- **Udsæt ikke produkter for regn eller våde omgivelser.** Vand, som trænger ind i et produkt, øger risikoen for elektrisk stød.
- **Behand kablet forsigtigt. Benyt aldrig ledningen til at bære eller trække produktet eller til at trække stikket ud. Hold ledningen væk fra varme, olie, skarpe kanter eller bevægelige dele.** Beskadigede eller filtrerede kabler forøger risikoen for elektrisk stød.
- **Når du betjener et produkt udendørs, skal du benytte en forlængerledning, der egner sig til udendørs brug.** Brug af en ledning, der er egnet til udendørs brug, reducerer risikoen for elektrisk stød.
- **Hvis det ikke kan undgås at arbejde med et produkt under fugtige forhold, skal der benyttes en elforsyning, som er beskyttet med en fejlstrømsafbryder (RCD).** En fejlstrømsafbryder nedsætter risikoen for elektrisk stød.

## Personlig sikkerhed

- **Vær opmærksom, hold øje med, hvad du foretager dig, og brug sund fornuft, når du betjener et produkt. Benyt ikke et produkt, hvis du er træt eller er påvirket af narkotika, alkohol eller medicin.** Et øjeblikvis uopmærksomhed under betjening af produkter kan resultere i alvorlig personskade.
- **Bær personligt beskyttelsesudstyr. Brug altid beskyttelsesbriller.** Beskyttelsesudstyr som støvmaske, skridsikre sikkerhedssko, beskyttelseshjelm eller høreværn, som benyttes til de relevante formål vil nedsætte risikoen for personskade.
- **Sørg for at forhindre uønsket start af værktøjet. Sørg for, at kontakten er i frakoblet position, før du slutter produktet til strømkilden og/eller batterienheden, samt når du tager eller bærer produktet.** At bære produkter med fingeren på kontakten eller at sætte strøm til produkter med tændt kontakt udgør en risiko for ulykker.
- **Fjern alle indstillingsværktøjer og skruenøgler, før elværktøjet tændes.** En skruenøgle eller et værktøj, der efterlades fastsiddende i en roterende del af produktet, kan forårsage personskade.
- **Stræk dig ikke for langt. Sørg for altid at have godt fodfæste og god balance.** Dette sikrer bedre kontrol over produktet i uventede situationer.
- **Bær det korrekte tøj. Undgå at bære løstsiddende tøj eller smykker. Hold hår og tøj væk fra bevægelige dele.** Løst tøj, smykker eller langt hår kan blive fanget af bevægelige dele.
- **Hvis der forefindes udstyr til støvudsugning og -opsamling, skal du sikre, at det er tilsluttet, og at det bruges korrekt.** Brug af støvopsamling kan nedbringe støvrelaterede farer.

- **Lad ikke erfaringen fra tidligere brug af produkter gøre dig eftergivende, så du ignorerer sikkerhedsprincipperne for produktet.** En uforståelig handling kan give alvorlige skader på en brøkdæl af et sekund.

## Brug og pleje af produktet

- **Tving aldrig produktet.** Brug det korrekte produkt til din opgave. Det korrekte produkt udfører arbejdet bedre og mere sikkert ved den hastighed, som det er konstrueret til.
- **Brug ikke produktet, hvis kontakten ikke kan slå det til og fra.** Ethvert produkt, som ikke kan styres med kontakten, er farligt og skal repareres.
- **Tag stikket ud af stikkontakten og/eller fjern batterienheden, hvis den kan tages ud, fra produkter, før du foretager justeringer, skifter tilbehør eller sætter dem til opbevaring.** Denne form for forebyggende sikkerhedsforanstaltninger nedsætter risikoen for, at produktet sættes i gang ved et uheld.
- **Når de ikke er i brug, skal produkter opbevares uden for børns rækkevidde, og personer, der ikke er bekendt med produktet eller disse instruktioner, må ikke kunne komme til at betjene produktet.** Produkter er farlige i hænderne på utrænede brugere.
- **Vedligeholdelse af produkter og tilbehør.** Kontrollér, om bevægelige dele sidder korrekt, eller om de binder. Se også efter, om der er defekte dele, og kontrollér alle andre forhold, som kan påvirke driften af produktet. Hvis produktet er beskadiget, skal det repareres, før det bruges igen. Mange ulykker skyldes dårligt vedligeholdte produkter.
- **Hold skæreprodukter skarpe og rene.** Korrekt vedligeholdte skæreprodukter med skarpe klinger er mindre tilbøjelige til at binde og er lettere at styre.
- **Benyt produktet, tilbehøret, værktøjsbits osv. i overensstemmelse med disse instruktioner, og tag højde for arbejdsforholdene og det arbejde, der skal udføres.** Hvis produktet bruges til andre formål end de tiltænkte, kan der opstå en farlig situation.
- **Hold håndtag og gribeblader tørre, rene og frie for olie og fedt.** Glatte håndtag og gribeblader muliggør ikke sikker håndtering og kontrol af produktet i uventede situationer.

## Service

- **Få en kvalificeret reparatør til at foretage service på produktet, og brug kun originale reservedele.** Dette sikrer, at produktet altid fungerer sikkert.
- **Der må aldrig udføres service på beskadigede batteripakker.** Service på batteripakker bør kun udføres af producenten eller autoriserede serviceudbydere.

## Brug og pleje af batteriredskaber

- **Genoplad kun med den oplader, som producenten foreskriver.** En oplader, der egner sig til en bestemt type batteripakke, kan medføre risiko for brand, hvis den benyttes sammen med en anden batteripakke.

- **Brug kun produkter sammen med de batterienheder, der er beregnet specifikt til dem.** Brug af andre batterienheder medfører risiko for skader og brand.
- **Når batterienheden ikke anvendes, skal du holde den væk fra andre metalgenstande, såsom papir, clips, mønter, nøgler, søm, skrue eller andre små metalgenstande, der kan kortslutte polerne.** Kortslutning af batteripolerne kan forårsage forbrændinger eller brand.
- **Under ugunstige forhold kan der sprøjte væske ud fra batteriet, undgå kontakt.** Hvis væsken alligevel berøres, skal der skylles med vand. Hvis du får væske i øjnene, skal du søge læge. Væske, der trænger ud af batteriet, kan forårsage irritation og ætsningsskader.
- **Brug ikke en batteripakke eller et værktøj, som er beskadiget eller modificeret.** Beskadigede eller modificerede batterier kan opføre sig uforudsigeligt og medføre brand, eksplosion eller risiko for personskade.
- **Udsæt ikke en batteripakke eller et værktøj for brand eller høje temperaturer.** Udsættelse for brand eller temperatur over 130 °C / 265 °F kan forårsage eksplosion.
- **Følg alle opladningsanvisninger, og oplad ikke batteripakken eller værktøjet uden for det temperaturområde, der er angivet i instruktionerne.** Forkert opladning eller opladning ved temperaturer uden for det specificerede område kan beskadige batteriet og øge risikoen for brand.

## Generelle sikkerhedsinstruktioner



**ADVARSEL:** Læs følgende advarselsinstruktioner, inden du bruger produktet.

- Dette produkt er farligt, hvis det bruges forkert, eller hvis du ikke er forsigtig. Personskade eller dødsfald kan forekomme, hvis du ikke overholder sikkerhedsinstruktionerne.
- Dette produkt danner et elektromagnetisk felt under betjening. Dette felt kan i visse tilfælde påvirke aktive eller passive medicinske implantater. For at reducere risikoen for alvorlige eller dødbringende kvæstelser anbefaler vi, at personer med medicinske implantater kontakter deres læge og producenten af det medicinske implantat, før de tager produktet i brug.
- Vær altid forsigtig, og brug din sunde fornuft. Hvis du ikke er sikker på, hvordan produktet betjenes en særlig situation: Stop, og kontakt Husqvarna-forhandleren, inden du fortsætter.
- Vær opmærksom på, at brugeren er ansvarlig for ulykker, der involverer andre personer eller disses ejendom.
- Hold produktet rent. Sørg for, at skilte og mærkater er tydeligt læsbare.

- Lad aldrig børn eller personer, der ikke kender apparatet, bruge det. Der kan være lokale regler for, hvor gammel brugeren skal være.
- Hold altid øje med personer med nedsat fysisk eller mental kapacitet, der bruger produktet. En voksen skal være til stede hele tiden.
- Brug ikke produktet, hvis du er træt, syg eller påvirket af alkohol, narkotika eller medicin. Det har en negativ virkning på synet, overblikket, koordinationsvevnen og dømmekraften.
- Brug ikke produktet, hvis det er beskadiget eller ikke fungerer korrekt.
- Foretag ikke ændringer på produktet, og undlad at bruge det, hvis der er risiko for, at det er blevet ændret af andre.
- Sørg for, at boret ikke rammer genstande som f.eks. sten og rødder. Det kan beskadige boret og bøje motorakslen. En bøjet motoraksel giver kraftige vibrationer og stor risiko for, at boret løsner sig.
- Hvis boret rammer en genstand, eller der opstår vibrationer, skal du straks standse produktet. Stands motoren, træk sikkerhedsnøglen op, og fjern batteriet. Vent, indtil bevægelige dele stopper. Undersøg, om produktet er blevet beskadiget. Spænd løse dele. Reparér skader, og udskift beskadigede dele. Lad et godkendt serviceværksted udføre reparationen.
- Fastgør ikke borets betjeningsbøjle permanent til håndtaget, når motoren startes.
- Anbring produktet på et stabilt, fladt underlag, og start det.
- Hold dig altid bag produktet, mens du betjener det.
- Lad alle hjulene blive på jorden, og hold 2 hænder på styret, når du betjener produktet.
- Hold hænder og fødder på sikker afstand af det roterende bor.
- Vip ikke produktet, når du starter motoren eller under betjening af produktet.
- Vær forsigtig, når du trækker produktet baglæns.
- Løft ikke produktet, når motoren er startet. Hvis du skal løfte produktet, skal du først standse motoren, trække sikkerhedsnøglen op og afmontere batteriet.
- Gå ikke baglæns, når du bruger produktet.
- Frigør borets betjeningsbøjle for at stoppe boret, når det er nødvendigt at vippe produktet under transport.
- Undlad at køre med produktet, når motoren er startet. Gå altid fremad, når du bruger produktet.
- Stands motoren, inden du ændrer kabellægningsdybden. Udfør ikke justeringer, mens motoren kører.
- Efterlad ikke produktet uden opsyn, når motoren er startet. Stop motoren, og sørg for, at boret ikke roterer.
- Vibrationerne i produktet under betjening kan være forskellige fra den angivne vibrationsværdi i *Tekniske data på side 72*. Forskellen skyldes variationer i, hvordan produktet anvendes. Hvis du bruger produktet ofte eller i længere tid ad gangen, skal du holde pauser regelmæssigt for at undgå skader som følge af vibrationer.

## Arbejdssikkerhed



**ADVARSEL:** Læs følgende advarselsinstruktioner, inden du bruger produktet.

- Brug produktet til at lægge afgrænsningskablet og guidekablet til robotplæneklippere ned i jorden. Brug ikke produktet til andre opgaver.
  - Bær personligt beskyttelsesudstyr. Se *Personligt beskyttelsesudstyr på side 63*.
  - Sørg for, at du ved, hvordan du standser motoren hurtigt i nødstilfælde.
  - Betjen ikke produktet i regn eller våde omgivelser. Risikoen for elektriske stød øges, hvis der trænger vand ind i produktet.
  - Betjen ikke produktet, medmindre boret og alle afskærmninger er monteret korrekt. Et forkert monteret bor kan løsne sig og forårsage personskade.
  - Fjern genstande såsom grene, kviste og sten fra arbejdsområdet, inden du bruger produktet.
  - Genstande, som rammer kabellægningsudstyret, kan udslynges og forårsage person- og tingskade. Hold omkringstående personer og dyr på sikker afstand af produktet.
  - Undlad at bruge produktet i dårligt vejr, som f.eks. tåge, regn, hård vind, kraftig kulde og ved risiko for lynnedslag. Det kan være trættende at bruge produktet i dårligt vejr eller i fugtige eller våde områder. Dårligt vejr kan medføre farlige forhold, f.eks. glatte underlag.
  - Pas på personer, genstande og situationer, som kan forhindre sikker brug af produktet.
  - Pas på forhindringer som f.eks. rødder, sten, kviste, huller og grøfter. Langt græs kan skjule hindringer.
  - Brug ikke produktet på skrånninger, der hælder mere end 15°.
  - Udvis den yderste forsigtighed ved ændring af retning på skrånninger. Lad produktet køre på tværs af skrånninger. Kør ikke op og ned.
  - Vær forsigtig, når du nærmer dig uoverskuelige hjørner og genstande, som blokerer for udsynet.
- ## Sikkerhedsinstruktioner for betjening
- Læs følgende instruktioner, inden du bruger produktet.
- Sørg for, at kablet i kabelskinnen er intakt.
  - Sørg for, at røret i indføringsfinnen er intakt. Udskift røret, hvis det er beskadiget.
- (Fig. 16)
- Sørg for, at kanten omkring hullet ikke er skarpt eller beskadiget. Udskift kabelskinnen, hvis den er beskadiget.
  - Sørg for, at alle skruer er spændt.
  - Sørg for, at alle håndtag er i neutral position.

## Personligt beskyttelsesudstyr



**ADVARSEL:** Læs følgende advarselsinstruktioner, inden du bruger produktet.

- Personligt beskyttelsesudstyr udelukker ikke fuldstændigt risikoen for personskader, men det mindsker graden af skaderne i tilfælde af, at der skulle ske en ulykke. Lad forhandleren hjælpe dig med at vælge det rigtige udstyr.
- Brug kraftige, skridsikre støvler eller sko. Brug ikke åbne sko, og gå heller ikke på bare fødder.
- Brug kraftige, lange bukser.
- Brug om nødvendigt beskyttelseshandsker, f.eks. ved montering, eftersyn eller rengøring af kabellægningsudstyret.
- Vi anbefaler brugen af høreværn.

## Sikkerhedsanordninger på produktet



**ADVARSEL:** Læs følgende advarselsinstruktioner, inden du bruger produktet.

- Brug ikke et produkt med sikkerhedsanordninger, der er beskadigede eller ikke fungerer korrekt.
- Du må ikke fjerne eller foretage ændringer af sikkerhedsanordninger.
- Kontrollér sikkerhedsanordningerne regelmæssigt. Hvis sikkerhedsanordningerne er beskadigede eller ikke fungerer korrekt, skal du kontakte dit Husqvarna-serviceværksted.

## Sikkerhedsnøgle

Sikkerhedsnøglen er under batterilåget.

Sikkerhedsnøglen forbinder det batteri, der forsyner motoren med strøm.

## Sådan kontrolleres sikkerhedsnøglen

Sikkerhedsnøglen forbinder det batteri, der forsyner motoren med strøm.

- Start og stands motoren. Hvis sikkerhedsnøglen fungerer korrekt, kan motoren kun starte, når nøglen er i sikkerhedslåsen.

## Borets betjeningsbøjle

Borets betjeningsbøjle stopper boret. Når borets betjeningsbøjle slippes, stopper boret.

For at udføre en kontrol af borets betjeningsbøjle skal du starte motoren og derefter frigive betjeningsbøjlen. Hvis boret ikke stopper inden for 3 sekunder, skal du kontakte et godkendt Husqvarna-serviceværksted.

(Fig. 17)

## Batterisikkerhed



**ADVARSEL:** Læs følgende advarselsinstruktioner, inden du bruger produktet.

- Brug kun genopladelige Husqvarna-batterier som strømforsyning til relaterede Husqvarna-produkter. For at undgå personskade må batteriet ikke anvendes som strømforsyning til andre produkter.
- Undgå at bruge ikke-genopladelige batterier.
- Risiko for elektrisk stød. Tilslut ikke batteripolerne til nøgler, mønter, skruer eller andre metalgenstande. Dette kan medføre en kortslutning af batteriet.
- Sæt ikke genstande ind i batteriets luftspalte.
- Hold batteriet væk fra sollys, varme og åben ild. Batteriet kan eksplodere og forårsage forbrændinger og/eller kemiske forbrændinger.
- Hold batteriet væk fra regn og våde omgivelser.
- Hold batteriet væk fra mikrobølger og højt tryk.
- Forsøg ikke at skille batteriet ad eller ødelægge det.
- Hvis batteriet lækker, skal du sørge for, at væsken ikke kommer i kontakt med hud eller øjne. Ved kontakt med væsken skal du skylle området med en stor mængde vand og derefter opsøge lægehjælp.
- Brug kun batteriet i produktet, hvis omgivelsestemperaturen er mellem 5 °C og 40 °C.
- Brug kun batteriopladeren, hvis omgivelsestemperaturen er mellem 5 °C og 40 °C.
- Batteriet oplades ikke, hvis batteriets temperatur er højere end 50 °C.
- Batteriet eller batteriopladeren må aldrig rengøres med vand. Se *Sådan rengøres batteriet og batteriopladeren på side 69*.
- Brug ikke et beskadiget batteri.
- Opbevar batterierne væk fra metalgenstande som f.eks. søm, mønter og smykker.

## Batteriopladersikkerhed



**ADVARSEL:** Læs følgende advarselsinstruktioner, inden du bruger produktet.

- Brug udelukkende QC-batteriopladerne til at oplade udskiftelige Husqvarna-batterier.
- Risiko for elektrisk stød eller kortslutning. Sæt ikke genstande ind i opladerens luftspalter. Forsøg aldrig at adskille batteriopladeren. Forbind ikke batteriopladerens poler med metalgenstande. Brug en godkendt stikkontakt.
- Dette produkt danner et elektromagnetisk felt under betjening. Dette felt kan i visse tilfælde påvirke aktive eller passive medicinske implantater. For at reducere risikoen for alvorlige eller dødbringende kvæstelser anbefaler vi, at personer med medicinske implantater kontakter deres læge og producenten af

det medicinske implantat, før de tager produktet i brug.

- Undersøg regelmæssigt, at ledningen til batteriopladeren er intakt, og at der ikke er revner i den.
- Løft aldrig batteriopladeren ved hjælp af ledningen. Træk stikket ud for at afbryde batteriopladeren fra stikkontakten. Træk ikke i strømkablet.
- Hold strømledningen og forlængerledninger væk fra vand, olie og skarpe kanter. Sørg for, at ledningen ikke bliver klemt i døre, hegn eller lignende. Det kan medføre, at opladeren bliver strømførende.
- Batteriopladeren må aldrig rengøres med vand.
- Denne batterioplader kan bruges af børn fra 8 år og opad samt af personer med nedsatte fysiske, følelsesmæssige eller mentale evner eller manglede erfaring og viden, hvis de er under opsyn eller har modtaget træning i brugen af batteriopladeren på en sikker måde og forstår farerne, der er forbundet med brugen. Børn må ikke lege med batteriopladeren. Rengøring og vedligeholdelse må ikke udføres af børn uden overvågning.
- Ikke-genopladelige batterier må ikke oplades i batteriopladeren.
- Brug ikke batteriopladeren i nærheden af brandfarlige materialer eller materialer, der kan medføre korrosion. Tildæk ikke batteriopladeren. I tilfælde af røgafgivelse eller brand skal batteriopladeren afbrydes fra stikkontakten.
- Brug ikke en beskadiget batterioplader.
- Oplad kun batteriet indendørs på et sted med god ventilation og beskyttet mod direkte sollys. Oplad ikke batteriet under våde forhold.

## Sikkerhedsinstruktioner for vedligeholdelse



**ADVARSEL:** Læs følgende advarselsinstruktioner, inden du bruger produktet.

- Tag sikkerhedsnøglen ud, før der foretages vedligeholdelse af produktet.
- Udfør vedligeholdelsesarbejde korrekt for at øge levetiden for produktet og mindske risikoen for ulykker. Lad et godkendt serviceværksted udføre professionelle reparationer. Kontakt dit nærmeste serviceværksted for at få flere oplysninger.
- Foretag kun den form for vedligeholdelsesarbejde, der er angivet i denne brugsanvisning.
- Brug kraftige handsker, når du håndterer kabellægningsudstyret.
- Hold produktet rent for at opnå den bedste og sikreste ydelse.
- Lad jævnligt serviceværkstedet efterse produktet og foretage de nødvendige justeringer og reparationer.
- Udskift beskadigede, slidte eller defekte dele.
- Følg vejledningen for, hvordan du udskifter tilbehør. Brug kun tilbehør fra producenten.
- Når de ikke er i drift, skal du holde produktet, batteriet og batteriopladeren adskilt et tørt, indendørs og aflåst sted. Sørg for, at børn og personer, som ikke er godkendt, ikke kan få adgang til produktet, batteriet eller batteriopladeren.

## Montering

### Indledning



**ADVARSEL:** Læs og forstå kapitlet om sikkerhed, før du monterer produktet.

### Sådan installeres boret

1. Sæt boret (A) ind i borehovedet (B), og monter den lange skrue (C). (Fig. 18)

**Bemærk:** Der skal bruges en 6 mm unbrakonøgle for at installere boret.

2. Monter borehovedet på skaffet (D) med den korte skrue (E).
3. Spænd skrueerne.

### Sådan installeres kablet

Produktet har en kabelopvikler med kobling, der kan fjernes.

1. Sæt kablet på kabelopvikleren. Brug knappen til at dreje kabelopvikleren med uret.

**Bemærk:** Kablet skal monteres med uret på kabelopvikleren, så det rulles jævnt ud under drift. (Fig. 19)

2. Skub kablet ind i røret i indføringsfinnen (A), indtil kablet kommer ud fra bunden (B) ca. 5 cm. (Fig. 20)

### Sådan installeres og fjernes kabelopvikleren

1. Løsn grebet (A). (Fig. 21)
2. Fjern holderen (B).
3. Fjern kabelopvikleren (C).
4. Installer kabelopvikleren (D). Brug adapteren, hvis det er nødvendigt. (Fig. 22)
5. Installer holderen (E) og stram knappen (F).



## Indledning



**ADVARSEL:** Før du bruger produktet, skal du læse og forstå kapitlet om sikkerhed.

## Husqvarna Fleet Services™

Husqvarna Fleet Services™ er en cloudløsning, der giver brugeren et overblik over alle produkter, der er tilsluttet. Der kan monteres en Husqvarna Fleet Services™-sensor på dette produkt. Husqvarna Fleet Services™-sensoren samler produktdata og giver dig mulighed for at oprette forbindelse til Husqvarna Fleet Services™-systemet. Husqvarna Fleet Services™-systemet rapporterer data såsom driftstid, serviceintervaller og produktets placering.

Du kan finde flere oplysninger om Husqvarna Fleet Services™, downloade Husqvarna Fleet Services™-appen eller tale med din Husqvarna-repræsentant.

### Sådan klargøres sensoren (tilbehør)

1. Brug sensornøglen til at åbne dækslet på sensoren. (Fig. 23)
2. Afmonter sensoren.
3. Tilslut batteriet til sensoren. LED-lyset på sensoren tændes. (Fig. 24)
4. Download Husqvarna Fleet Services™-appen.
5. Log på Husqvarna Fleet Services™-appen.
6. Foretag en parring af produkterne. Se *Sådan parres appen og produktet på side 65*

### Sådan parres appen og produktet

1. Log på Husqvarna Fleet Services™-appen.
2. Vælg dit produkt i appen.
3. Scan koden bag sensoren med din mobilenhed for at installere sensoren i appen.

**Bemærk:** Det er kun nødvendigt at foretage en parring mellem appen og produktet én gang.

### Sådan monteres sensoren

1. Sørg for, at sensoren har forbindelse til Husqvarna Fleet Services™-appen. Se *Sådan parres appen og produktet på side 65*.
2. Bor 2 huller ved mærkerne i kabinetåbningen. (Fig. 25)

**Bemærk:** Sørg for, at hullerne har samme dimension som de nitter, der leveres sammen med sensoren.

3. Brug en tang til at fjerne taperne med huller i sensoråbningen. (Fig. 26)
4. Bor 2 huller ved mærkerne i sensoråbningen. (Fig. 27)
5. Juster sensoråbningen ift. kabinetåbningen. (Fig. 28)
6. Fastgør sensoråbningen med nitterne.
7. Monter sensoren i sensoråbningen. Juster den hvide markering på sensoren med mærket på sensorens åbning. (Fig. 29)
8. Luk låget til sensoren, og lås den fast med sensornøglen. Sørg for, at den øverste del af "H" i Husqvarna peger væk fra sikkerhedsnøglen. (Fig. 30)

## Batteri



**ADVARSEL:** Inden brug af produktet skal du læse og sætte dig ind i kapitlet om sikkerhed. Du skal også læse og sætte dig ind i brugsanvisningen for batteriet og batteriopladeren.

Opbevar batteriet og batteriopladeren i de korrekte omgivende temperaturer.

	Omgivelsestemperatur
Betjening af batteriet	5 °C - 40 °C
Opladning af batteriet	5 °C - 40 °C

### Batteristatus

Displayet viser batteriets resterende batterikapacitet, og om der er problemer med batteriet. Batterikapaciteten vises i 5 sekunder, efter at produktet er slukket, eller batteriindikatorknappen er trykket ned. Advarselssymbolet på batteriet er tændt, når der er sket en fejl. Se *Batteri på side 70*.

(Fig. 31)

LED-lys	Batteristatus
Alle LED'er er tændt	Fuldt opladet (75-100 %)
LED 1, LED 2 og LED 3 er tændt	Batteriet er opladet 50-75 %
LED 1 og LED 2 er tændt	Batteriet er opladet 25-50 %
LED 1 er tændt	Batteriet er opladet 0-25 %.
LED 1 blinker	Batteriet er afladet. Oplad batteriet.

## Sådan oplades batteriet

Oplad batteriet, inden første ibrugtagning. Batteriet er kun 30 % opladet, når det leveres til kunden.

**Bemærk:** Batteriopladeren skal tilsluttes til den spænding og frekvens, der fremgår af typeskiltet.

Batteriet oplades ikke, hvis batteriets temperatur er over 50 °C. Batteriopladeren sænker batteriets temperatur, før det begynder at oplade.

1. Forbind den ene ende af ledningen til batteriopladeren til stikket på batteriopladeren.
2. Forbind den anden ende af ledningen til batteriopladeren til en jordet stikkontakt. LED'en på batteriopladeren blinker grønt én gang. (Fig. 32)
3. Isæt batteriet i batteriopladeren. Den grønne lampe på opladeren lyser, når batteriet er korrekt forbundet med batteriopladeren. (Fig. 33)
4. Når alle LED'erne på batteriet er tændt, er batteriet fuldt opladet. Oplad batteriet i maks. 24 timer.
5. For at afbryde batteriopladeren fra stikkontakten, skal du trække i stikket, ikke i ledningen.
6. Fjern batteriet fra batteriopladeren.

## Batteriets ladestatus

Et Husqvarna-li-ion-batteri kan oplades eller bruges på alle opladningsniveauer. Batteriet er ikke beskadiget. Et fuldt opladet batteri vil ikke aflades, når batteriet efterlades i opladeren.

LED-display	Ladestatus
LED 1 blinker	0 %-25 %
LED 1 er tændt, LED 2 blinker	25 %-50 %
LED 1, LED 2 er tændt, LED 3 blinker	50 %-75 %
LED 1, LED 2, LED 3 er tændt, LED 4 blinker	75 %-100 %
LED 1, LED 2, LED 3, LED 4 er tændt	Fuldt opladet

## Det skal du gøre, inden du betjener produktet

1. Vand jorden dagen før betjening om sommeren, eller hvis jorden er tør.
2. Sørg for, at mennesker og dyr er mindst 20 m væk fra produktet.
3. Sæt kablet på kabelopvikleren. Se *Sådan installeres kablet på side 64*.
4. Juster kabellægningsdybden. Se *Sådan justeres kabellægningsdybden på side 66*.

5. Fastgør enden af kablet til en pind.

## Sådan startes produktet

1. Vip styret til siden. Se *Sådan vippes styret på side 66*.
2. Åbn batterilåget.
3. Sæt et opladet batteri i batteriåbning nummer 1 under batterilåget. For længere driftstid, skal du isætte et andet opladet batteri i batteriåbning nummer 2.
4. Frakobl sikkerhedsnøglen fra sikkerhedsnøgleholderen.
5. Skub sikkerhedsnøglen ind i sikkerhedslåsen. (Fig. 34)
6. Stil dig bag produktet.
7. Tryk på standbyknappen (A) på betjeningspanelet. Standbyindikatorer (B) tændes. (Fig. 35)
8. Tryk på start/stop-knappen (C), indtil den forbliver trykket ind. Motoren starter.



**BEMÆRK:** Brug ikke produktet, hvis advarselslampe (D) blinker rødt.

9. Skub borets betjeningsbøjlen i retning af styret for at aktivere boret. (Fig. 36)

## Sådan bruges hjulenes fremtræk

- Træk i bøjlen til fremtræk (A) i retning af styret for at aktivere drevet på hjulene. (Fig. 37)
- Slip bøjlen til fremtræk for at frakoble drevet på hjulene.

## Sådan justeres kabellægningsdybden

1. Løsn grebet (A). (Fig. 38)
2. Indstil støttehjulet (B) til den nødvendige kabellægningsdybde, og spænd knappen.

**Bemærk:** Tallene (C) på siden af støttehjulets rør viser kabellægningsdybden i cm. Kabellægningsdybden kan justeres mellem 1-6 cm.

## Sådan justeres styrets højde

Styrets højde kan justeres i 5 positioner.

1. Drej håndtaget (A) mod uret for at løsne det, og fjern knappen (B). (Fig. 39)
2. Juster styrets højde, og monter knappen i hullet i den nærmeste position.
3. Drej håndtaget med uret for at stramme det.

## Sådan vippes styret

Du kan vippe styret for at forhindre, at forhindringer rammer dig, når du betjener produktet. Styret kan vippes i 4 positioner i højre side og 4 positioner i venstre side.

1. Træk bøjlen til vipning af styr (A) helt i retning af styret, og hold den der. Bøjlen til vipning af styret sidder nederst til venstre på styret. (Fig. 40)
2. Vip styret til 1 af de 4 positioner til venstre eller højre side, og slip bøjlen til vipning af styret. Sørg for, at stiften, der låser styrets position, er i 1 af åbningerne. (Fig. 41)

## Sådan låses indføringsfjennens drejefunktion

Du kan låse indføringsfjennens drejefunktion for at øge retningsnøjagtigheden, når du placerer kablet i lange lige sektioner.

- Sørg for, at indføringsfjennens er i samme retning som produktet, og spænd håndtaget (A). (Fig. 42)

## Sådan justeres kabelskinnen

Produktet er indstillet til 4 mm kabler. Hvis kablet har en større diameter, skal kabelføringen justeres.

1. Løsn de 2 skruer. (Fig. 43)
2. Flyt kabelskinnen et par millimeter op.
3. Spænd de 2 skruer.

## Sådan justeres sporvidden

Hjulenes position kan justeres til forskellige sporvidder. Der er 4 justeringshuller i akslen i venstre side og 4 justeringshuller i akslen i højre side. Sporvidden kan justeres til 250, 270, 290 eller 310 mm fra midten af boret. (Fig. 44)

1. Træk stiften ud (A).
2. Juster hjulene til den nødvendige sporvidde.
3. Sæt stiften i et af de 4 huller (B) i akslen.
4. Lås sikkerhedsfjederen.

## Sådan startes arbejdet

Når kablet og boret er installeret, skal operatøren lægge kablet i jorden.

1. Sæt en pind ned i jorden.
2. Fastgør den del af kablet, der kommer ud fra bunden af kabelskinnen, til pinden.

## Sådan bruges 2-kabelskinnen

Hvis produktet kører væk fra yderkanten af arbejdsområdet, er det nødvendigt at lægge 2 kabler i på samme tid.

1. Læg 1 kabel i en plovfure langs hele yderkanten. Se figur (A) og (B). (Fig. 45) (Fig. 46)
2. Når du befinder dig på det punkt, der er vist i figur (C), skal du sætte støttehjulet i den højeste position for at fjerne indføringsfjennens fra jorden. Fastgør kablet med en pind, og fortsæt med kablet over jorden, indtil du er ved det næste punkt. (Fig. 47)
3. Fastgør kablet med en pind på det punkt, der er vist i figur (D). (Fig. 48)
4. Sæt indføringsfjennens i den korrekte kabellægningsdybde, og fortsæt med at pløje kablet for at lave øen. Se figur (E). (Fig. 49)
5. Når du når det punkt, der er angivet i figur (F), skal du fjerne pinden og rengøre indføringsfjennens. Se *Sådan rengøres indføringsfjennens på side 68*. (Fig. 50)
6. Monter kablet i kabelskinnen over jorden. (Fig. 51)
7. Pløj de 2 kabler på samme tid til det punkt, der er vist i figur (G). Fastgør de 2 kabler til en pind, og tag det andet kabel ud af kabelføringen. (Fig. 52)
8. Fortsæt med at ilægge kablet i yderkanten til det punkt, der er vist i figur (H). (Fig. 53)

## Sådan standses produktet

Produktet standser automatisk, hvis du ikke betjener det i 3 minutter.

1. Slip bøjlen til fremtrækket (A) for at frakoble trækket på hjulene. (Fig. 37)
2. Frigør borets betjeningsbøjle for at stoppe boret. (Fig. 17)
3. Tryk på start/stop-knappen på betjeningspanelet.
4. Skub standby-knappen på betjeningspanelet.
5. Åbn batterilåget.
6. Fjern sikkerhedsnøglen fra sikkerhedslåsen, og læg den tilbage i holderen.
7. Brug skraberens til at rengøre indføringsfjennens. Se *Sådan rengøres indføringsfjennens på side 68*.
8. Rengør og smør borehovedet efter hver brug. Se *Sådan rengøres og smøres borehovedet på side 69*.

# Vedligeholdelse

## Indledning



**ADVARSEL:** Inden der foretages vedligeholdelse, skal du læse og forstå kapitlet om sikkerhed.

Alt service- og reparationsarbejde på produktet kræver specialuddannelse. Vi garanterer faglig korrekt reparation og service.

Se [www.husqvarna.com](http://www.husqvarna.com) for at få mere detaljerede oplysninger.

## Vedligeholdelsesskema

Vedligeholdelsesintervallerne er fastlagt baseret på daglig brug af produktet. Intervallerne ændres, hvis produktet ikke bruges dagligt.

For vedligeholdelse identificeret med \* henvises til *Sikkerhedsanordninger på produktet på side 63*.

	Hver brug	Månedligt	Hver sæson
Foretag et generelt eftersyn.	X		
Sørg for, at sikkerhedsanordningerne på produktet ikke er defekte*.	X		
Undersøg boret og indføringsfinnen.	X		
Udfør en kontrol af borets betjeningsbøjle*.	X		
Sørg for, at start-/stopknappen fungerer korrekt og ikke er defekt.	X		
Efterse batteriet for skader.	X		
Kontrollér batteriopladeren.	X		
Sørg for, at udløserknapperne på batteriet fungerer korrekt, og at batteriet låses på plads i produktet.	X		
Rengør luftindtagene på motoren. Kontrollér, at luftindtagene ikke er dækket af græs og skidt.	X		
Smør umalede dele.	X		
Smør alle dele, hvor zinkforstærkningen er slidt.	X		
Rengør og smør borehovedet.	X		
Rengør indføringsfinnen.	X		
Efterse batteriopladeren for skader, og sørg for, at den fungerer korrekt.		X	
Efterse forbindelserne mellem batteriet og produktet. Efterse også forbindelsen mellem batteriet og batteriopladeren.			X

## Sådan rengøres indføringsfinnen

- Brug skraberen til at fjerne jord og rengøre indføringsfinnen. (Fig. 54)

## Sådan udskiftes indføringsfinnen

1. Vip produktet frem, og sæt det derefter langsomt ned på jorden.
2. Fjern de 2 skruer (A) og indføringsfinnen (B). (Fig. 55)
3. Installer den nye indføringsfinne i modsat rækkefølge.

## Sådan udskiftes boret

1. Fjern græs og snavs fra produktet.



**BEMÆRK:** Sørg for, at der ikke kommer snavs eller andre uønskede materialer ind i boret under installationen.

**Bemærk:** Rengør og smør borets hus, hver gang du har brugt produktet.

- Fjern den korte skrue (A) og borehovedet (B) fra akslen (C). (Fig. 56)

**Bemærk:** Der skal bruges en 6 mm unbrakonøgle for at udskifte boret.

- Fjern den lange skrue (D) og boret (E) fra borehovedet.
- Sæt et nyt bor i borehovedet, og monter den lange skrue.
- Monter borehovedet på akslen.
- Spænd skruerne.

## Sådan rengøres og smøres borehovedet

Rengør borehovedet helt efter hver brug.

- Vip produktet frem, og sæt det derefter langsomt ned på jorden.
- Fjern græs, snavs og uønskede materialer med en blød børste.
- Brug trykluft til at fjerne mindre partikler af græs og snavs.
- Fjern skruerne (A) fra borehovedet (B), og fjern boret (C). (Fig. 56)
- Løsn de 2 skruer (D), og fjern indføringsfinnen (E). (Fig. 57)

- Fjern skruen (F), og fjern borehovedet (G) fra akslen (H). (Fig. 58)
- Brug trykluft til at rengøre produktet. Sørg for, at alt snavs, græs og andre uønskede materialer fjernes.
- Hvis det er nødvendigt, skal du fjerne snavsset fedt med et egnet opløsningsmiddel.
- Rengør alle komponenter med et passende opløsningsmiddel, og smør alle komponenter.
- Anvend vandafvisende fedt på akslen. (Fig. 59)

## Sådan rengøres batteriet og batteriopladeren



**ADVARSEL:** Batteriet eller batteriopladeren må aldrig rengøres med vand.



**ADVARSEL:** Brug ikke kemiske stoffer til at rengøre batteriet.

- Sørg for, at batteriet og opladeren er rene og tørre, før du sætter batteriet i batteriopladeren.
- Rengør batteriets poler med trykluft eller med en blød og tør klud.
- Rens overfladerne på batteriet og batteriopladeren med en blød og tør klud.

## Fejlfinding

### Fejlfinding

Hvis du ikke kan finde en løsning på dine problemer i denne brugsanvisning, skal du henvende dig til dit Husqvarna-serviceværksted.

Problem	Årsag
Motoren starter ikke.	Batteriet er ikke opladet.
	Batteriet er ikke installeret korrekt.
	Batteriet er defekt.
	Betjeningspanelet er defekt.
Boret roterer ikke.	Remmen er slidt ned.
	Remmen er flyttet ud af remskiverne.
	Grebet strammer ikke remmen tilstrækkeligt.
Boret fortsætter med at rotere, når boret betjeningsbøjle frigøres.	Wiren fra boret betjeningsbøjle er slidt eller beskadiget.
Produktet fungerer ikke korrekt.	Boret er slidt eller skadet.
	Boret er ikke installeret korrekt.

Problem	Årsag
Produktet bevæger sig ikke, når bøjlen fremtrækket er aktiveret.	Wiren fra bøjlen til fremtrækket er slidt eller beskadiget.
	Gearkasserremmene er slidte.
	Kæden er knækket eller har ikke tilstrækkelig spænding.
	Koblingsskiverne i gearkassehuset er slidte.
Borehovedet kan ikke fjernes.	Der er uønsket materiale i enheden.
	Der er oxid i systemet.
Isoleringen på det kabel, der føres ind i jorden, er beskadiget.	Kabeludgangshullet på indføringsfinnen er beskadiget.
	Røret, der indeholder kablet, og som er en del af indføringsfinnen, er snavset.

## Batteri

LED på batteriet	Årsag	Løsning
Den grønne LED blinker.	Batterispændingen er lav.	Oplad batteriet. Se <i>Sådan oplades batteriet på side 66</i> .
Fejl-LED'en blinker.	Batteriet er svagt.	Oplad batteriet. Se <i>Batteri på side 70</i> .
	Temperaturen i arbejdsmiljøet er for høj eller for lav.	Brug batteriet i temperaturer mellem -10 °C og 40 °C.
	Overspænding.	Sørg for, at netspændingen er den samme som på typeskiltet på produktet.  Fjern batteriet fra batteriopladeren. Vent 5 sekunder, og prøv igen for at oplade batteriet. Hvis problemet fortsætter, skal du kontakte et autoriseret serviceværksted.
Fejl-LED'en er tændt.	Celleforskellen er for stor (1 V).	Kontakt et godkendt serviceværksted.

## Batterioplader

LED på batteriopladeren.	Årsag	Løsning
Fejl-LED'en blinker.	Temperaturen i arbejdsmiljøet er for høj eller for lav.	Brug batteriopladeren i temperaturer mellem 5 °C og 40 °C.
Fejl-LED'en er tændt.		Kontakt et godkendt serviceværksted.

## Betjeningspanel

Fejlkode (antal blink)	Mulige fejl	Mulig procedure
5	Motoromdrejningstallet falder for meget, og motoren standser.	Rengør borchovedet, og reducer kabellægningsdybden. Se <i>Sådan rengøres og smøres borchovedet på side 69</i> og <i>Sådan justeres kabellægningsdybden på side 66</i> . Hvis problemet fortsætter, skal du kontakte dit godkendte serviceværksted.
8	Batteriet er svagt.	Oplad batteri. Se <i>Sådan oplades batteriet på side 66</i> .
9	Batterifejl eller intet signal fra batteri.	Isæt batteriet korrekt i produktet, og efterse batteristikket. Hvis fejl-LED'en på batteriet blinker, se <i>Batteri på side 70</i> .
10	Kontrolenheden til motoren er for varm.	Standt motoren, og vent, indtil den er blevet kold.
Andre fejl	Hvis der opstår andre fejl, skal du fjerne sikkerhedsnøglen og batteriet, og tale med et godkendt serviceværksted.	

## Transport, opbevaring og bortskaffelse

### Indledning



**ADVARSEL:** For at undgå utilsigtet start under transport skal du trække sikkerhedsnøglen op, fjerne batteriet og vente i mindst 5 sekunder.

### Transport

- Lovkravene om farligt gods gælder for de indeholdte li-ion-batterier.
- Ved kommerciel transport skal særlige krav vedrørende emballering og mærkning overholdes.
- Sørg for at overholde bestemmelserne for farligt materiale, når du klargør produktet til transport. Lokale bestemmelser kan være gældende.
- Fjern altid batteriet ved transport.
- Sæt tape på batteristikkene, og sørg for, at batteriet ikke kan rykke sig under transporten.
- Fastspænd produktet under transport.

### Opbevaring

- Lad produktet køle af før opbevaring.
- Fjern altid batteriet ved opbevaring.
- For at forhindre ulykker, skal du sørge for, at batteriet ikke er tilsluttet produktet under opbevaring.
- Opbevar batteriopladeren et lukket og tørt sted.
- Opbevar batteriet og batteriopladeren et tørt sted, hvor der ikke er fugt eller frost.
- Afbryd forbindelsen mellem batteriet og batteriopladeren under opbevaring.

- Batteriet må ikke opbevares, hvor der kan forekomme statisk elektricitet. Opbevar ikke batteriet i en metalkasse.
- Opbevar produktet på et sted, hvor omgivelsestemperaturen er mellem  $-10\text{ }^{\circ}\text{C}$  og  $40\text{ }^{\circ}\text{C}$ .
- Opbevar batteriet ved omgivelsestemperaturer mellem  $5\text{ }^{\circ}\text{C}$  og  $25\text{ }^{\circ}\text{C}$  og væk fra sollys.
- Opbevar batteriopladerne ved omgivelsestemperaturer mellem  $5\text{ }^{\circ}\text{C}$  og  $45\text{ }^{\circ}\text{C}$  og væk fra sollys.
- Sørg for, at batteriet er ladet op til 30 % - 50 %, før du sætter det til opbevaring i længere tid.
- Opbevar produktet, batteriet og batteriopladeren et låst sted, der er utilgængeligt for børn og ikke-godkendte personer.
- Rengør produktet.
- Foretag den form for vedligeholdelse, der er beskrevet i denne brugervejledning. Se *Vedligeholdelsesskema på side 68*.
- Udfør fuld service, før du sætter produktet til opbevaring i længere tid.

### Bortskaffelse

Symbolerne på produktet eller emballagen angiver, at produktet ikke må behandles som almindeligt husholdningsaffald. Det skal afleveres til en passende genbrugsstation med henblik på genvinding af elektrisk og elektronisk udstyr.

Hvis du sørger for, at dette produkt håndteres korrekt, kan du være med til at modvirke potentielle negative indvirkninger på mennesker og miljø, som ellers

kan være et resultat af fejlagtig affaldshåndtering i forbindelse med dette produkt. Nærmere oplysninger om genanvendelse af dette produkt fås hos kommunen,

det lokale renovationselskab eller forretningen, hvor produktet er købt.

(Fig. 60)

## Tekniske data

<b>Boremotor</b>	
Motorstype	BLDC (børsteløs) 36 V
Motoromdrejningstal – nominelt, o/min.	3000/min.
Motoromdrejningstal – høj belastning, o/min.	3300/min.
Motoreffekt – maksimum, kW	1,8
Motoreffekt – nominel, kW	1,2
Gearkasse	Mekanisk gearkasse med oliebadsmurte tandhjul
Kobling	Bæltetype, med remskive
<b>Vægt</b>	
Vægt uden batteri, kg	39
Vægt inkl. 2 x BLi300, kg	43
<b>Batteri</b>	
Batteritype	Husqvarna Batteriserie
<b>Batteriets driftstid</b>	
Batteriets driftstid, min. <sup>13</sup>	38
<b>Støjemissioner <sup>14</sup></b>	
Lydeffektniveau, målt L <sub>WA</sub> dB (A)	84
Lydeffektniveau, garanteret L <sub>WA</sub> dB (A)	86
<b>Lydniveauer <sup>15</sup></b>	
Lydtryksniveau ved brugerens øre, dB(A)	66
<b>Vibrationsniveauer <sup>16</sup></b>	
Styr m/s <sup>2</sup>	1,8
<b>Kabellægningsudstyr</b>	
Kabellægningsdybde, cm	1-6
Afstand mellem bor og hjulets kant, mm	250, 270, 290, 310
Bor	597 04 84-01

<sup>13</sup> Friløb, målt med standardtilstand aktiveret og 1 Husqvarna 9,4 Ah batteri (BLi300).

<sup>14</sup> Støjemissioner til omgivelserne målt som lydeffekt (L<sub>WA</sub>) i henhold til EF-direktiv 2000/14/EF.

<sup>15</sup> Rapporerede data for lydtryksniveau har en typisk statistisk spredning (standardafvigelse) på 1,2 dB (A).

<sup>16</sup> Rapporerede data for vibrationsniveau har en typisk statistisk spredning (standardafvigelse) på 0,2 m/s<sup>2</sup>.  
Vibrationsstandard EN 1032+A1:2009.



Godkendte batterier	Varemærke	Type	Batterikapacitet, Ah	Spænding, V	Vægt, lb/kg
BLi300	Husqvarna	Lithiumion	9,4	36	4,1/1,9

Godkendte opladere til de angivne batterier, BLi	Varemærke	Indgangsspænding, V	Frekvens, Hz	Effekt, watt
QC500	Husqvarna	100-240	50-60	500

# Overensstemmelseserklæring

## EU-overensstemmelseserklæring

Vi, **Husqvarna AB**, SE-561 82 Huskvarna, Sverige,  
tlf.: +46-36-146500 erklærer under eneansvar, at det  
pågældende produkt:

<b>Beskrivelse</b>	Kabellag
<b>Varemærke</b>	Husqvarna
<b>Type / model</b>	CL400i
<b>Identifikation</b>	Serienumrene fra 2022 og fremefter

overholder følgende EU-direktiver og bestemmelser:

<b>Regulativ</b>	<b>Beskrivelse</b>
2006/42/EF	"vedrørende maskiner"
2014/30/EU	"vedrørende elektromagnetisk kompatibilitet"
2011/65/EU	"om begrænsning af anvendelsen af visse farlige stoffer i elektrisk og elektronisk udstyr"

og at følgende standarder og/eller tekniske  
specifikationer anvendes: EN ISO 12100:2010, EN ISO  
14119:2013, EN ISO 14120:2015, EN ISO 13857:2019,  
EN 62841-1:2015+AC:2015, EN ISO 11202:2010, EN  
1032:2009, EN 55014-1:2017, EN 55014-2:2015, EN  
63000:2018.

Vedr. oplysninger om støjemission, se *Tekniske data på  
side 72*.

Huskvarna, 2022-03-21



Claes Losdal, udviklingschef/haveprodukter, Husqvarna  
AB

Ansvarlig for teknisk dokumentation



---

# Inhalt

---

Einleitung.....	75	Fehlerbehebung.....	87
Sicherheit.....	76	Transport, Lagerung und Entsorgung.....	89
Montage.....	81	Technical data.....	90
Betrieb.....	82	Konformitätserklärung.....	93
Wartung.....	85		

---

## Einleitung

---

### Gerätebeschreibung

Bei diesem Gerät handelt es sich um eine handgeführte Kabelverlegungsmaschine.

### Geräteübersicht

(Abb. 1)

1. Bohrbügel
2. Lenker-Neigungsbügel
3. Antriebsbügel
4. Zähler
5. Kabeltrommel
6. Zuführleiste
7. Bohrer
8. Bedienfeld
9. Sicherheitsschlüssel
10. Akku (Zubehör)
11. Ladegerät (Zubehör)
12. Bedienungsanleitung

### Symbole auf dem Gerät

(Abb. 2)      WARNUNG

(Abb. 3)      Warnung: Rotierende Teile. Hände und Füße fernhalten.

(Abb. 4)      Achten Sie auf hochgeschleuderte und abprallende Objekte.

(Abb. 5)      Lesen Sie die Anweisungen.

(Abb. 6)      Andere Personen oder Tiere müssen sich in sicherem Abstand vom Arbeitsbereich befinden.

(Abb. 7)      Gefahr von Augenverletzungen für umstehende Personen.

(Abb. 8)      Verwenden Sie das Gerät nicht bei Regen.

(Abb. 9)      Tragen Sie ein Schutzvisier.

### Verwendungszweck

Verwenden Sie das Gerät, um Begrenzungskabel und Leitkabel für Mähroboter im Boden zu verlegen. Verwenden Sie das Gerät nicht für andere Aufgaben.

(Abb. 10)      Standby-Modus (schwarze Taste).

(Abb. 10)      Motor starten und stoppen (rote Taste).

(Abb. 11)      Das Gerät und die Verpackung des Geräts dürfen nicht über den Hausmüll entsorgt werden. Recyceln Sie es an einer Recyclingstation für elektrische und elektronische Geräte.

(Abb. 12)      Dieses Gerät entspricht den geltenden EG-Richtlinien.

(Abb. 13)      Dieses Gerät entspricht den geltenden UK-Richtlinien.

(Abb. 14)      Etikett mit Geräuschemissionen gemäß EU- und UK-Richtlinien und Verordnungen sowie der australischen „Protection of the Environment Operations (Noise Control) Regulation 2017“ (Umweltschutz-/Lärmschutzbestimmung) von New South Wales. Der garantierte Schalleistungspegel des Geräts ist unter *Technical data auf Seite 90* und auf dem Etikett angegeben.

(Abb. 15)      Das Gerät ist tropfgeschützt.

---

**Hinweis:** Sonstige Symbole/Aufkleber auf dem Gerät beziehen sich auf Zertifizierungsanforderungen, die in einigen Märkten gelten.

---

### Produktschäden

Wir haften nicht für Schäden an unserem Produkt, wenn:

- das Gerät nicht ordnungsgemäß repariert wird.

- das Gerät mit Teilen repariert wird, die nicht vom Hersteller stammen oder nicht vom Hersteller zugelassen sind.
- ein Zubehörteil mit dem Gerät verwendet wird, das nicht vom Hersteller stammt oder nicht vom Hersteller zugelassen ist.

- das Gerät nicht bei einem zugelassenen Service Center oder von einem zugelassenen Fachmann repariert wird.

---

## Sicherheit

---

### Sicherheitsdefinitionen

Warnungen, Vorsichtsmaßnahmen und Hinweise werden verwendet, um auf besonders wichtige Teile der Bedienungsanleitung hinzuweisen.



**WARNUNG:** Wird verwendet, wenn bei Nichtbeachtung der Anweisungen in diesem Handbuch die Gefahr von Verletzung oder Tod des Bedieners oder anderer Personen besteht.



**ACHTUNG:** Wird verwendet, wenn bei Nichtbeachtung der Anweisungen in diesem Handbuch die Gefahr von Schäden am Gerät, an anderen Materialien oder in der Umgebung besteht.

**Hinweis:** Für weitere Informationen, die in bestimmten Situationen nötig sind.

### Allgemeine Sicherheitshinweise zum Gerät



**WARNUNG:** Beachten Sie alle für das Gerät vorgesehenen Sicherheitshinweise, Anleitungen, Abbildungen und technischen Daten. Wenn Sie die unten stehenden Anweisungen nicht befolgen, kann dies zu elektrischen Schlägen, Brand und/oder schweren Verletzungen führen.

**Bewahren Sie alle Warnhinweise und Anweisungen für spätere Referenzzwecke auf.** Die Bezeichnung „Gerät“ in den Warnhinweisen bezieht sich auf ein Gerät mit Netzbetrieb (über ein Kabel) oder Akkubetrieb (kabellos).

### Sicherheit im Arbeitsbereich

- **Sorgen Sie für einen sauberen und gut ausgeleuchteten Arbeitsbereich.** Durch zugestellte oder dunkle Arbeitsbereiche steigt die Unfallgefahr stark an.
- **Betreiben Sie das Gerät niemals an Orten, an denen Explosionsgefahr besteht, z. B. in der Nähe von leicht entzündlichen Flüssigkeiten, Gasen oder Staubansammlungen.** Bei der Arbeit mit dem Gerät

kann es zu Funkenbildung kommen, wodurch sich Stäube oder Dämpfe entzünden können.

- **Sorgen Sie bei der Arbeit mit dem Gerät dafür, dass sich keine Kinder oder unbefugte Personen in der Nähe befinden.** Durch Ablenkungen können Sie die Kontrolle über das Werkzeug verlieren.

### Elektrische Sicherheit

- **Die Netzstecker des Geräts müssen zur Steckdose passen. Der Netzstecker darf in keiner Weise verändert werden. Verwenden Sie bei Geräten mit Schutzkontakt (geerdet) niemals Adapterstecker.** Nicht modifizierte Stecker und Steckdosen reduzieren das Risiko eines Elektroschocks.
- **Vermeiden Sie Körperkontakt mit geerdeten Gegenständen wie Rohrleitungen, Heizungen, Herden oder Kühlschränken.** Bei Körperkontakt mit geerdeten Gegenständen besteht ein erhöhtes Stromschlagrisiko.
- **Setzen Sie das Gerät weder Regen noch Feuchtigkeit aus.** Wenn Wasser in das Gerät eindringt, erhöht sich das Stromschlagrisiko.
- **Verwenden Sie das Anschlusskabel nicht missbräuchlich. Verwenden Sie das Anschlusskabel niemals zum Tragen oder Heranziehen des Geräts, und ziehen Sie den Stecker nicht am Anschlusskabel aus der Steckdose. Halten Sie das Kabel fern von Hitzequellen, Öl, scharfen Kanten und beweglichen Teilen.** Beschädigte oder verdrehte Anschlusskabel erhöhen das Stromschlagrisiko.
- **Wenn Sie das Gerät im Freien benutzen, verwenden Sie ein für den Außeneinsatz geeignetes Verlängerungskabel.** Die Verwendung eines für den Außeneinsatz geeigneten Kabels verringert das Risiko eines elektrischen Schlags.
- **Falls der Einsatz des Geräts in einer feuchten Umgebung nicht zu vermeiden ist, benutzen Sie eine Stromversorgung mit FI-Schutzschalter (RCD).** Die Verwendung eines FI-Schutzschalters verringert das Risiko eines Stromschlags.

### Persönliche Sicherheit

- **Bleiben Sie aufmerksam, achten Sie auf das, was Sie tun, und setzen Sie Ihren gesunden Menschenverstand ein, wenn Sie mit dem Gerät arbeiten. Verwenden Sie das Gerät nicht, wenn Sie müde sind oder unter dem Einfluss von Drogen, Alkohol oder Medikamenten stehen.** Bei der Arbeit mit dem Gerät können bereits kurze Phasen

der Unaufmerksamkeit zu schweren Verletzungen führen.

- **Tragen Sie eine persönliche Schutzausrüstung. Tragen Sie stets einen Augenschutz.** Schutzausrüstung wie Atemschutzmaske, rutschsichere Sicherheitsschuhe, Schutzhelm und Gehörschutz senkt bei angemessenem Einsatz das Verletzungsrisiko.
- **Vermeiden Sie ein versehentliches Starten. Achten Sie darauf, dass sich der Schalter in der AUS-Stellung befindet, bevor Sie das Gerät an die Stromversorgung und/oder den Akku anschließen oder es hochheben oder herumtragen.** Durch Herumtragen des Geräts mit dem Finger am Schalter bzw. das Einstecken des Steckers bei betätigtem Schalter erhöht sich das Unfallrisiko.
- **Entfernen Sie sämtliche Einstellschlüssel, bevor Sie das Gerät einschalten.** Ein an einem beweglichen Teil des Geräts angebrachter Schlüssel kann zu Verletzungen führen.
- **Arbeiten Sie nicht über die normale Reichweite hinaus. Achten Sie jederzeit darauf, sicher zu stehen und das Gleichgewicht zu bewahren.** Dadurch haben Sie das Gerät in unerwarteten Situationen besser im Griff.
- **Kleiden Sie sich richtig. Tragen Sie niemals lose sitzende Kleidung oder Schmuck. Halten Sie Haar und Kleidung von beweglichen Teilen fern.** Lose sitzende Kleidung, Schmuck oder langes Haar kann von beweglichen Teilen erfasst werden.
- **Wenn Anschlüsse für Staubabsaug- und Staubsammelvorrichtungen vorhanden sind, sorgen Sie dafür, dass diese richtig angeschlossen und eingesetzt werden.** Die Verwendung von Staubsammelvorrichtungen kann staubbedingte Gefahren verringern.
- **Auch wenn Sie durch häufige Verwendung bestens mit dem Gerät vertraut sind, dürfen Sie keinesfalls nachlässig werden und die Sicherheitsgrundsätze ignorieren.** Eine achtlose Handlung kann im Bruchteil einer Sekunde zu schweren Verletzungen führen.

## Produktverwendung und -pflege

- **Wenden Sie keine Gewalt an. Beschränken Sie sich für Ihren Einsatz auf das korrekte Gerät.** Das korrekte Gerät wird die Aufgabe besser und sicherer und mit der Leistung ausführen, für die es ausgelegt ist.
- **Benutzen Sie das Gerät nicht, wenn es sich nicht am Schalter ein- und ausschalten lässt.** Jedes Gerät, das nicht mit dem Schalter betätigt werden kann, stellt eine Gefahr dar und muss repariert werden.
- **Trennen Sie das Gerät von der Stromversorgung bzw. entfernen Sie den Akku, bevor Sie Einstellungen vornehmen, Zubehörteile austauschen oder das Gerät verstauen.** Mit diesen Präventivmaßnahmen reduzieren Sie das Risiko eines versehentlichen unkontrollierten Starts des Gerätes.

- **Lagern Sie nicht benutzte Geräte außerhalb der Reichweite von Kindern, und lassen Sie nicht zu, dass Personen das Gerät bedienen, die nicht mit dem Gerät selbst und/oder diesen Anweisungen vertraut sind.** Die Geräte stellen in ungeschulten Händen eine Gefahr dar.
- **Pflegen Sie das Gerät und das Zubehör. Prüfen Sie, ob bewegliche Teile falsch eingestellt sind oder klemmen und ob Teile gebrochen oder so weit beschädigt sind, dass der sichere Betrieb des Geräts beeinträchtigt werden kann. Bei Beschädigungen lassen Sie das Gerät reparieren, bevor Sie es benutzen.** Viele Unfälle sind auf schlechte Geräterwartung zurückzuführen.
- **Halten Sie Schneidwerkzeuge scharf und sauber.** Ordnungsgemäß gewartete Schneidwerkzeuge mit scharfen Schneidkanten bleiben seltener hängen und sind einfacher zu bedienen.
- **Benutzen Sie das Gerät, Zubehör, Werkzeugspitzen und Ähnliches in Übereinstimmung mit diesen Anweisungen und auf die für das jeweilige Elektrowerkzeug bestimmungsgemäße Weise und beachten Sie dabei die jeweiligen Arbeitsbedingungen und die Art der auszuführenden Arbeiten.** Der Einsatz des Geräts für bestimmungswidrige Zwecke kann zu Gefahrensituationen führen.
- **Halten Sie die Handgriffe und Griffflächen trocken, sauber und frei von Öl und Fett.** Wenn Handgriffe und Griffflächen rutschig sind, kann das Gerät in unerwarteten Situationen nicht sicher bedient und kontrolliert werden.

## Service

- **Lassen Sie Ihr Gerät von einem qualifizierten Fachmann reparieren, und bestehen Sie darauf, dass nur Originalersatzteile verwendet werden.** Auf diese Weise wird die Sicherheit des Geräts nicht beeinträchtigt.
- **Warten Sie niemals beschädigte Akkus.** Akkus dürfen nur vom Hersteller oder von autorisierten Serviceanbietern gewartet werden.

## Verwendung und Pflege von akkubetriebenen Werkzeugen

- **Eine Aufladung darf nur mit dem vom Hersteller vorgeschriebenen Ladegerät durchgeführt werden.** Durch ein für einen bestimmten Akkutyp geeignetes Ladegerät kann Brandgefahr entstehen, wenn es für einen anderen Akku verwendet wird.
- **Verwenden Sie Geräte nur mit speziell für sie ausgezeichneten Akkus.** Die Verwendung anderer Akkus kann zu Verletzungs- und Brandgefahr führen.
- **Wird der Akku nicht verwendet, halten Sie ihn von Metalgegenständen wie Büroklammer, Münzen, Schlüsseln, Nägeln, Schrauben oder anderen kleineren Metallobjekten fern, da es zu einer Überbrückung der Kontakte kommen könnte.**

Durch Kurzschluss der Akkuklemmen kann es zu Verbrennungen oder Bränden kommen.

- **Unter missbräuchlichen Bedingungen kann Flüssigkeit aus dem Akku austreten; vermeiden Sie Kontakt damit. Bei versehentlichem Hautkontakt sofort mit Wasser abspülen. Sollten Ihre Augen damit in Berührung gekommen sein, suchen Sie sofort ärztliche Hilfe auf.** Durch austretende Flüssigkeit aus dem Akku kann es zu Reizungen oder Verbrennungen kommen.
- **Verwenden Sie keinen Akku und kein Werkzeug, der bzw. das defekt ist oder modifiziert wurde.** Beschädigte oder modifizierte Akkus können ein unvorhersehbares Verhalten aufweisen, welches zu Feuer, Explosionen oder Verletzungsgefahren führen kann.
- **Setzen Sie Akku oder Werkzeug niemals Feuer oder sehr hohen Temperatur aus.** Feuer oder Temperaturen über 130 °C/265 F können zu einer Explosion führen.
- **Befolgen Sie die Ladeanweisungen und laden Sie den Akku oder das Werkzeug niemals bei Temperaturen außerhalb den in der Anleitung angegebenen Temperaturbereichen auf.** Unsachgemäßes Aufladen oder Aufladen bei Temperaturen außerhalb des angegebenen Bereichs kann den Akku beschädigen und die Brandgefahr erhöhen.

- Verhindern Sie, dass Kinder oder Personen, die mit den Anweisungen nicht vertraut sind, das Gerät benutzen. Unter Umständen gelten gesetzlich vorgeschriebene Altersbeschränkungen für den Bediener.
- Stellen Sie sicher, dass Personen mit verminderter physischer oder psychischer Leistungsfähigkeit dieses Gerät nicht unbeaufsichtigt verwenden. Es muss immer ein verantwortlicher Erwachsener anwesend sein.
- Verwenden Sie das Gerät nicht, wenn Sie müde oder krank sind oder unter Einfluss von Alkohol, Drogen oder Medikamenten stehen. Dies wirkt sich negativ auf Ihre Sehkraft, Ihre Aufmerksamkeit sowie Ihr Koordinations- und Urteilsvermögen aus.
- Verwenden Sie das Gerät nicht, wenn es beschädigt ist oder nicht ordnungsgemäß funktioniert.
- Verändern oder verwenden Sie dieses Gerät nicht, wenn die Möglichkeit besteht, dass es durch Dritte verändert wurde.

## Arbeitssicherheit



**WARNUNG:** Lesen Sie die folgenden Warnhinweise, bevor Sie das Gerät verwenden.

- Verwenden Sie das Gerät, um Begrenzungskabel und Leitkabel für Mähroboter im Boden zu verlegen. Verwenden Sie das Gerät nicht für andere Aufgaben.
- Tragen Sie eine persönliche Schutzausrüstung. Siehe *Persönliche Schutzausrüstung auf Seite 79*.
- Stellen Sie sicher, dass Sie wissen, wie der Motor in einem Notfall schnell gestoppt werden kann.
- Verwenden Sie das Gerät nicht im Regen oder in feuchter Umgebung. Das Risiko eines elektrischen Schlags wird erhöht, wenn Wasser in das Gerät eindringt.
- Arbeiten Sie nicht mit dem Gerät, bevor der Bohrer und alle Abdeckungen ordnungsgemäß angebracht sind. Ein nicht ordnungsgemäß angebrachter Bohrer kann sich lösen und Verletzungen verursachen.
- Entfernen Sie Objekte wie Äste, Zweige und Steine aus dem Arbeitsbereich, bevor Sie das Gerät verwenden.
- Objekte, die auf die Kabelverlegungs-ausrüstung treffen, können herausgeschleudert werden und Personen und Gegenständen Schaden zufügen. Halten Sie andere Personen und Tiere in einem sicheren Abstand zum Gerät.
- Benutzen Sie das Gerät niemals bei schlechtem Wetter wie Nebel, Regen, starkem Wind, intensiver Kälte und bei der Gefahr eines Blitz einschlags. Die Verwendung des Geräts bei schlechtem Wetter oder an feuchten oder nassen Stellen ist anstrengend. Schlechtes Wetter kann gefährliche Zustände wie rutschige Oberflächen verursachen.

## Allgemeine Sicherheitshinweise



**WARNUNG:** Lesen Sie die folgenden Warnhinweise, bevor Sie das Gerät verwenden.

- Dieses Gerät ist gefährlich, wenn es falsch bedient wird oder Sie unvorsichtig sind. Wenn die Sicherheitshinweise nicht befolgt werden, kann dies zu Verletzungen oder zum Tod führen.
- Dieses Gerät erzeugt beim Betrieb ein elektromagnetisches Feld. Dieses Feld kann sich unter bestimmten Bedingungen auf die Funktionsweise aktiver oder passiver medizinischer Implantate auswirken. Um die Gefahr von Situationen, die zu schweren oder tödlichen Verletzungen führen können, auszuschließen, sollten Personen mit einem medizinischen Implantat vor der Nutzung dieses Geräts ihren Arzt und den Hersteller des Implantats konsultieren.
- Lassen Sie immer Vorsicht walten, und arbeiten Sie mit gesundem Menschenverstand. Wenn Sie sich nicht sicher sind, wie das Gerät in einer bestimmten Situation zu bedienen ist, unterbrechen Sie die Arbeit und wenden sich an Ihren Husqvarna-Händler, bevor Sie fortfahren.
- Denken Sie daran, dass der Bediener für unfälle mit anderen Personen oder deren Eigentum verantwortlich ist.
- Halten Sie das Gerät sauber. Stellen Sie sicher, dass Symbole und Aufkleber deutlich lesbar sind.

- Achten Sie auf Personen, Objekte und Situationen, die einen sicheren Betrieb des Geräts verhindern könnten.
- Achten Sie auf Hindernisse wie Wurzeln, Steine, Zweige, Löcher und Gräben. Langes Gras kann Hindernisse verdecken.
- Verwenden Sie das Gerät nicht in einem Gelände mit einer Neigung von mehr als 15°.
- Bei Richtungswechseln auf abschüssigem Gelände ist äußerste Vorsicht geboten. Betreiben Sie das Gerät quer zum Hang. Bewegen Sie sich nicht nach oben und nach unten.
- Seien Sie vorsichtig, wenn Sie um versteckte Ecken oder Objekte herum fahren, die Ihre freie Sicht verhindern.
- Stellen Sie sicher, dass der Bohrer nicht auf Objekte wie Steine und Wurzeln trifft. Dadurch kann der Bohrer beschädigt und die Motorwelle verbogen werden. Eine verbogene Motorwelle führt zu starken Vibrationen und birgt ein hohes Risiko, dass der Bohrer sich löst.
- Wenn der Bohrer auf ein Objektiv trifft oder Vibrationen auftreten, müssen Sie das Gerät sofort abstellen. Stoppen Sie den Motor, ziehen Sie den Sicherheitsschlüssel nach oben und entfernen Sie den Akku. Warten Sie, bis die beweglichen Teile stillstehen. Das Gerät auf Beschädigungen untersuchen. Befestigen Sie alle lockeren Teile. Reparieren bzw. ersetzen Sie alle beschädigten Teile. Lassen Sie die Reparatur von einer zugelassenen Servicewerkstatt durchführen.
- Befestigen Sie den Bohrbügel nicht dauerhaft am Griff, wenn der Motor läuft.
- Stellen Sie das Gerät auf eine stabile, flache Oberfläche und starten Sie es.
- Bleiben Sie immer hinter dem Gerät, wenn Sie es betreiben.
- Lassen Sie alle Räder auf dem Boden bleiben, und halten Sie den Griff mit beiden Händen, wenn Sie das Gerät betreiben.
- Halten Sie Hände und Füße vom rotierenden Bohrer fern.
- Kippen Sie das Gerät nicht, wenn Sie den Motor starten oder das Gerät betreiben.
- Seien Sie vorsichtig, wenn Sie das Gerät nach hinten ziehen.
- Heben Sie das Gerät nicht an, wenn der Motor läuft. Wenn Sie das Gerät anheben müssen, stoppen Sie zuerst den Motor, ziehen Sie den Sicherheitsschlüssel nach oben und nehmen Sie den Akku heraus.
- Gehen Sie nicht rückwärts, wenn Sie das Gerät betreiben.
- Lassen Sie den Bohrbügel los, um den Bohrer anzuhalten, wenn das Gerät zu Transportzwecken geneigt werden muss.
- Rennen Sie nicht mit dem Gerät, wenn der Motor läuft. Gehen Sie immer, wenn Sie das Gerät benutzen.
- Stellen Sie den Motor ab, bevor Sie die Kabelverlegungstiefe ändern. Nehmen Sie keine Einstellungsänderungen bei laufendem Motor vor.
- Lassen Sie das Gerät bei laufendem Motor nicht aus den Augen. Schalten Sie den Motor aus und stellen Sie sicher, dass sich der Bohrer nicht dreht.
- Die Vibrationen des Geräts im Betrieb können von dem in *Technical data auf Seite 90* angegebenen Vibrationswert abweichen. Diese Abweichung entsteht durch die verschiedenen Nutzungsweisen des Geräts. Wenn Sie das Gerät häufig oder über längere Zeit betreiben, legen Sie regelmäßig Pausen ein, um Verletzungen durch Vibrationen zu vermeiden.

## Sicherheitshinweise für den Betrieb

Lesen Sie folgende Anleitungen, bevor Sie das Gerät benutzen.

- Achten Sie darauf, dass das Kabel in der Kabelführung intakt ist.
- Achten Sie darauf, dass das Rohr in der Zuführleiste intakt ist. Ersetzen Sie das Rohr, wenn diese verschlissen oder beschädigt ist.

(Abb. 16)

- Stellen Sie sicher, dass die Kante um die Öffnung herum weder scharf noch beschädigt ist. Ersetzen Sie die Kabelführung, falls es beschädigt ist.
- Stellen Sie sicher, dass alle Schrauben angezogen sind.
- Stellen Sie sicher, dass sich alle Hebel in Neutralstellung befinden.

## Persönliche Schutzausrüstung



**WARNUNG:** Lesen Sie die folgenden Warnhinweise, bevor Sie das Gerät verwenden.

- Die persönliche Schutzausrüstung kann Verletzungen nicht vollständig vermeiden, vermindert aber den Umfang der Verletzungen und Schäden bei einem Unfall. Lassen Sie sich bei der Auswahl der richtigen Ausrüstung von Ihrem Händler beraten.
- Tragen Sie rutschfeste Sicherheitstiefel oder -schuhe. Verwenden Sie keine offenen Schuhe, und gehen Sie nicht barfuß.
- Tragen Sie schwere, lange Hosen.
- Tragen Sie bei Bedarf Schutzhandschuhe, beispielsweise bei der Montage, Kontrolle oder Reinigung der Kabelverlegungsausrüstung.
- Wir empfehlen die Verwendung eines Gehörschutzes.

## Sicherheitsvorrichtungen am Gerät



**WARNUNG:** Lesen Sie die folgenden Warnhinweise, bevor Sie das Gerät verwenden.

- Verwenden Sie kein Gerät mit Sicherheitsvorrichtungen, die beschädigt sind oder nicht ordnungsgemäß funktionieren.
- Sicherheitsvorrichtungen dürfen nicht entfernt oder verändert werden.
- Führen Sie regelmäßig eine Überprüfung der Sicherheitsvorrichtungen durch. Wenn die Sicherheitsvorrichtungen beschädigt sind oder nicht ordnungsgemäß funktionieren, wenden Sie sich an den Kundendienst von Husqvarna.

## Sicherheitsschlüssel

Der Sicherheitsschlüssel befindet sich unter der Akkuabdeckung. Mit dem Sicherheitsschlüssel wird der Akku angeschlossen, der den Motor mit Strom versorgt.

### So kontrollieren Sie den Sicherheitsschlüssel

Mit dem Sicherheitsschlüssel wird der Akku angeschlossen, der den Motor mit Strom versorgt.

- So starten und stoppen Sie den Motor. Wenn der Sicherheitsschlüssel ordnungsgemäß funktioniert, kann der Motor nur starten, wenn sich der Sicherheitsschlüssel in der Sicherheitssperre befindet.

## Bohrbügel

Der Bohrbügel stoppt den Bohrer. Wenn der Bohrbügel losgelassen wird, hält der Bohrer an.

Um den Bohrbügel zu prüfen, starten Sie den Motor und lassen anschließend den Bohrbügel los. Wenn der Bohrer innerhalb von 3 Sekunden nicht stoppt, wenden Sie sich an eine autorisierte Husqvarna Servicewerkstatt.

(Abb. 17)

## Sicherer Umgang mit Akkus



**WARNUNG:** Lesen Sie die folgenden Warnhinweise, bevor Sie das Gerät verwenden.

- Verwenden Sie die wiederaufladbaren Akkus von Husqvarna nur als Stromversorgung für zugehörige Husqvarna Produkte. Um Verletzungen zu vermeiden, verwenden Sie den Akku nicht zur Energieversorgung anderer Geräte.
- Verwenden Sie keine nicht aufladbaren Akkus.
- Es besteht die Gefahr von elektrischen Schlägen. Verbinden Sie die Akkuklemmen nicht mit Schlüsseln, Münzen, Schrauben oder anderen metallischen Gegenständen. Dadurch kann es zu einem Kurzschluss des Akkus kommen.

- Legen Sie keine Gegenstände in die Luftschlitze des Akkus.
- Halten Sie den Akku von direkter Sonneneinstrahlung, Hitze oder offenem Feuer fern. Der Akku kann explodieren und Verbrennungen und/oder chemische Verbrennungen verursachen.
- Halten Sie den Akku von Regen und Feuchtigkeit fern.
- Halten Sie den Akku von Mikrowellen und hohem Druck fern.
- Versuchen Sie nicht, den Akku zu zerlegen oder aufzubrechen.
- Wenn aus dem Akku Flüssigkeit austritt, vermeiden Sie Haut- oder Augenkontakt mit dieser. Sollten Sie dennoch mit der Flüssigkeit in Berührung gekommen sein, reinigen Sie den Bereich mit ausreichend Wasser und suchen Sie medizinische Hilfe auf.
- Der Akku darf nur im Gerät verwendet werden, wenn die Umgebungstemperatur zwischen 5 und 40 °C liegt.
- Das Akkuladegerät darf nur verwendet werden, wenn die Umgebungstemperatur zwischen 5 und 40 °C liegt.
- Der Akku wird nicht aufgeladen, wenn die Akkumtemperatur mehr als 50 °C beträgt.
- Reinigen Sie weder den Akku noch das Ladegerät mit Wasser. Siehe *So reinigen Sie den Akku und das Ladegerät auf Seite 86*.
- Verwenden Sie keinen beschädigten Akku.
- Lagern Sie Akkus getrennt von Metallgegenständen wie Nägeln, Münzen und Schmuck.

## Sicherer Umgang mit dem Ladegerät



**WARNUNG:** Lesen Sie die folgenden Warnhinweise, bevor Sie das Gerät verwenden.

- Verwenden Sie die QC Ladegeräte nur zum Laden von Husqvarna Akkus.
- Stromschlag- oder Kurzschlussgefahr. Legen Sie keine Gegenstände in die Luftschlitze des Ladegeräts. Das Ladegerät nicht zerlegen. Verbinden Sie die Anschlüsse des Ladegeräts nicht mit Metallgegenständen. Verwenden Sie eine geprüfte Netzsteckdose.
- Dieses Gerät erzeugt beim Betrieb ein elektromagnetisches Feld. Dieses Feld kann sich unter bestimmten Bedingungen auf die Funktionsweise aktiver oder passiver medizinischer Implantate auswirken. Um die Gefahr von Situationen, die zu schweren oder tödlichen Verletzungen führen können, auszuschließen, sollten Personen mit einem medizinischen Implantat vor der Nutzung dieses Geräts ihren Arzt und den Hersteller des Implantats konsultieren.
- Prüfen Sie regelmäßig, dass das Netzkabel des Akkuladegeräts nicht beschädigt ist und dass keine Risse vorhanden sind.



- Heben Sie das Ladegerät nicht am Netzkabel an. Um das Ladegerät von der Steckdose zu trennen, ziehen Sie am Netzstecker. Ziehen Sie nicht am Netzkabel.
- Achten Sie darauf, dass Netzkabel und Verlängerungskabel nicht mit Wasser, Öl oder scharfen Kanten in Berührung kommen. Achten Sie darauf, dass die Kabel nicht in Türen, Zäunen o. ä. eingeklemmt werden. Es besteht sonst die Gefahr, dass das Ladegerät unter Strom gestellt wird.
- Reinigen Sie das Ladegerät nicht mit Wasser.
- Das Akkuladegerät kann von Kindern ab 8 Jahren sowie von Personen mit eingeschränkten physischen, sensorischen oder psychischen Fähigkeiten bzw. Personen ohne jegliche Erfahrung oder Kenntnisse verwendet werden, wenn sie beaufsichtigt werden oder ihnen die sichere Verwendung des Ladegeräts ausführlich erklärt wurde und sie sich der Gefahren bewusst sind. Kinder dürfen nicht mit dem Ladegerät spielen. Reinigung und Wartung durch den Benutzer dürfen nicht von Kindern ohne Aufsicht durchgeführt werden.
- Setzen Sie keine nicht wiederaufladbaren Akkus in das Ladegerät ein.
- Das Ladegerät darf nicht in der Nähe von entflammenden Materialien oder Materialien, die Korrosion verursachen können, verwendet werden. Das Ladegerät darf nicht abgedeckt werden. Bei Rauchentwicklung oder Feuer muss der Stecker des Ladegeräts sofort aus der Steckdose gezogen werden.
- Verwenden Sie kein beschädigtes Ladegerät.
- Laden Sie den Akku nur in geschlossenen Räumen an einem Ort mit guter Luftzirkulation und ohne direkte Sonneneinstrahlung. Auf keinen Fall Akkus in feuchter Umgebung laden.

## Sicherheitshinweise für die Wartung



**WARNUNG:** Lesen Sie die folgenden Warnhinweise, bevor Sie das Gerät verwenden.

- Entfernen Sie den Sicherheitsschlüssel, bevor Sie Wartungsarbeiten am Gerät durchführen.
- Führen Sie die Wartungsarbeiten zur Erhöhung der Lebensdauer des Geräts und Verringerung der Unfallgefahr ordnungsgemäß aus. Lassen Sie professionelle Reparaturarbeiten von einer zugelassenen Servicewerkstatt durchführen. Weitere Informationen erhalten Sie von Ihrer Servicewerkstatt.
- Führen Sie die Wartung nur gemäß dieser Betriebsanleitung durch.
- Tragen Sie beim Berühren der Kabelverlegungs-ausrüstung robuste Handschuhe.
- Halten Sie das Gerät sauber, um optimale Leistung und Sicherheit zu gewährleisten.
- Ihre Servicewerkstatt sollte das Gerät regelmäßig überprüfen und notwendige Einstellungen und Reparaturen vornehmen.
- Ersetzen Sie beschädigte, verschlissene oder defekte Teile.
- Befolgen Sie die Anweisungen für das Auswechseln von Zubehörteilen. Verwenden Sie nur Zubehör vom Gerätehersteller.
- Wenn es nicht in Betrieb ist, bewahren Sie Gerät, Akku und Ladegerät getrennt an einem trockenen und abgeschlossenen Ort auf. Achten Sie darauf, dass Kinder und unbefugte Personen keinen Zugriff auf das Gerät, den Akku oder das Ladegerät haben.

## Montage

### Einleitung



**WARNUNG:** Lesen Sie vor der Montage des Geräts das Kapitel über Sicherheit, und machen Sie sich damit vertraut.

### So installieren Sie den Bohrer

1. Setzen Sie den Bohrer (A) in den Bohrkopf (B) ein und bringen Sie die lange Schraube (C) an. (Abb. 18)

**Hinweis:** Zum Anbringen des Bohrers ist ein 6-mm-Sechskantschlüssel erforderlich.

2. Montieren Sie den Bohrkopf mit der kurzen Schraube (E) auf der Welle (D).
3. Ziehen Sie die Schrauben an.

### So installieren Sie das Kabel

Das Gerät verfügt über eine abnehmbare Kabeltrommel mit Kupplung.

1. Legen Sie das Kabel auf die Kabeltrommel. Drehen Sie die Kabeltrommel mit dem Knopf im Uhrzeigersinn.

**Hinweis:** Das Kabel muss im Uhrzeigersinn auf die Kabeltrommel gewickelt werden, damit es sich während des Betriebs leicht abwickeln kann. (Abb. 19)

2. Schieben Sie das Kabel in das Rohr in der Zuführleiste (A), bis es unten am Boden (B) ca. 5 cm herauskommt. (Abb. 20)

## So installieren und entfernen Sie die Kabeltrommel

1. Lösen Sie den Drehknopf (A). (Abb. 21)
2. Entfernen Sie die Halterung (B).

3. Entfernen Sie die Kabeltrommel (C).
4. Installieren Sie die Kabeltrommel (D). Verwenden Sie den Adapter, falls erforderlich. (Abb. 22)
5. Installieren Sie die Halterung und ziehen Sie den Drehknopf (F) fest.

---

## Betrieb

---

### Einleitung



**WARNUNG:** Vor dem Betrieb des Gerätes müssen Sie die Sicherheitsinformationen lesen und verstehen.

---

## Husqvarna Fleet Services™

Husqvarna Fleet Services™ ist eine Cloud-Lösung, die dem Bediener einen Überblick über alle angeschlossenen Geräte gibt. An diesem Gerät kann ein Husqvarna Fleet Services™-Sensor montiert werden. Der Husqvarna Fleet Services™-Sensor sammelt Gerätedaten und ermöglicht eine Verbindung zum Husqvarna Fleet Services™-System. Der Husqvarna Fleet Services™-Sensor übermittelt Daten wie die Betriebszeit, Wartungsintervalle und den Standort des Geräts.

Weitere Informationen über Husqvarna Fleet Services™ erhalten Sie, wenn Sie die Husqvarna Fleet Services™-App herunterladen oder mit Ihrem Vertreter von Husqvarna sprechen.

### Vorbereitung des Sensors (Zubehör)

1. Verwenden Sie den Sensorschlüssel, um den Deckel des Sensors zu öffnen. (Abb. 23)
2. Entfernen Sie den Sensor.
3. Verbinden Sie den Akku mit dem Sensor. Die LED-Leuchte des Sensors leuchtet auf. (Abb. 24)
4. Laden Sie die Husqvarna Fleet Services™-App herunter.
5. Melden Sie sich bei der Husqvarna Fleet Services™-App an.
6. Führen Sie einen Kopplungsvorgang durch. Siehe *So führen Sie einen Kopplungsvorgang zwischen der App und dem Gerät durch auf Seite 82*

### So führen Sie einen Kopplungsvorgang zwischen der App und dem Gerät durch

1. Melden Sie sich bei der Husqvarna Fleet Services™-App an.
2. Wählen Sie Ihr Gerät in der App aus.
3. Scannen Sie den Code hinter dem Sensor mit Ihrem Mobilgerät, um den Sensor in der App zu installieren.

**Hinweis:** Ein Kopplungsvorgang zwischen der App und dem Gerät ist nur einmal erforderlich.

---

### So installieren Sie den Sensor

1. Stellen Sie sicher, dass der Sensor mit der Husqvarna Fleet Services™-App verbunden ist. Siehe *So führen Sie einen Kopplungsvorgang zwischen der App und dem Gerät durch auf Seite 82*.
2. Bohren Sie 2 Löcher an den Markierungen in der Gehäuseaussparung. (Abb. 25)

**Hinweis:** Stellen Sie sicher, dass die Löcher die gleiche Größe wie die mitgelieferten Nieten des Sensors besitzen.

3. Verwenden Sie eine Zange, um die äußeren Bohrungen am Sensorgehäuse zu entfernen. (Abb. 26)
4. Bohren Sie 2 Löcher an den Markierungen in der Sensoraussparung. (Abb. 27)
5. Richten Sie die Sensoraussparung mit der Gehäuseaussparung aus. (Abb. 28)
6. Befestigen Sie die Sensoraussparung mit den Nieten.
7. Montieren Sie den Sensor in der Sensoraussparung. Richten Sie die weiße Markierung auf dem Sensor mit der Markierung auf der Sensoraussparung aus. (Abb. 29)
8. Schließen Sie den Deckel des Sensors und sperren Sie ihn mit dem Sensorschlüssel ab. Stellen Sie sicher, dass der obere Teil des Husqvarna-„H“ vom Sicherheitsschlüssel weg zeigt. (Abb. 30)

---

### Akku



**WARNUNG:** Vor dem Betrieb des Akkus müssen Sie die Sicherheitsinformationen lesen und verstehen. Sie müssen außerdem Bedienungsanleitung für den Akku und das Ladegerät lesen und verstehen.

Sorgen Sie für die richtigen Umgebungstemperaturen von Akku und Ladegerät.

	Umgebungstemperatur
Betrieb des Akkus	5 bis 40 °C

	<b>Umgebungstemperatur</b>
Laden des Akkus	5 bis 40 °C

## Akkuladezustand

Auf der Anzeige werden der verbleibende Ladezustand und eventuelle Störungen des Akkus angezeigt. Die Akkukapazität wird nach dem Ausschalten des Geräts bzw. nach Drücken der Akkuanzeigenaste für 5 Sekunden angezeigt. Das Warnsymbol auf dem Akku ist an, wenn eine Störung vorliegt. Siehe *Akku auf Seite 88*.

(Abb. 31)

LED-Leuchten	Akkuladezustand
Alle LEDs leuchten	Volle Ladung (75-100 %)
LED 1, LED 2 und LED 3 leuchten	Der Akku ist zu 50-75 % geladen
LED 1 und LED 2 leuchten	Der Akku ist zu 25-50 % geladen
LED 1 leuchtet	Der Akku ist zu 0-25 % geladen.
LED 1 blinkt	Der Akku ist leer. Laden Sie den Akku.

## So laden Sie den Akku

Laden Sie den Akku vor dem ersten Gebrauch. Der Akku ist bei der Auslieferung an den Kunden nur zu 30 % geladen.

**Hinweis:** Das Ladegerät muss mit der auf dem Typenschild angegebenen Spannung und Frequenz angeschlossen werden.

Der Akku wird nicht aufgeladen, wenn die Akkutemperatur über 50 °C beträgt. Das Ladegerät verringert die Temperatur des Akkus, bevor es zu laden beginnt.

1. Schließen Sie ein Ende des Netzkabels für das Ladegerät an die Anschlussbuchse des Ladegeräts an.
2. Schließen Sie das andere Ende des Netzkabels für das Ladegerät an eine geerdete Steckdose an. Die LED am Ladegerät blinkt einmal grün. (Abb. 32)
3. Die Batterie in das Ladegerät einlegen. Die grüne Leuchte auf dem Ladegerät leuchtet auf, wenn der Akku richtig mit dem Ladegerät verbunden ist. (Abb. 33)
4. Wenn alle LEDs am Akku leuchten, ist der Akku vollständig aufgeladen. Laden Sie den Akku für maximal 24 Stunden.
5. Um das Ladegerät von der Steckdose zu trennen, ziehen Sie am Netzstecker und nicht am Netzkabel.

6. Den Akku aus dem Ladegerät entnehmen.

## Akku-Ladestatus

Ein Husqvarna Li-Ionen-Akku kann in jedem Ladezustand aufgeladen oder genutzt werden. Der Akku wird hierdurch nicht beschädigt. Ein vollgeladener Akku behält seine Ladung auch dann, wenn der Akku im Ladegerät belassen wird.

LED-Anzeige	Ladezustand
LED 1 blinkt	0 %-25 %
LED 1 leuchtet, LED 2 blinkt	25 %-50 %
LED 1 und LED 2 leuchten, LED 3 blinkt	50 %-75 %
LED 1, LED 2 und LED 3 leuchten, LED 4 blinkt	75%-100 %
LED 1, LED 2, LED 3 und LED 4 leuchten	Vollständig aufgeladen

## Bevor Sie das Gerät bedienen

1. Wässern Sie den Boden im Sommer oder bei trockenem Boden am Tag vor dem geplanten Einsatz des Geräts.
2. Achten Sie darauf, dass sich Personen und Tiere mindestens 20 m vom Gerät entfernt befinden.
3. Legen Sie das Kabel auf die Kabeltrommel. Siehe *So installieren Sie das Kabel auf Seite 81*.
4. Stellen Sie die Kabelverlegungstiefe ein. Siehe *So stellen Sie die Kabelverlegungstiefe ein auf Seite 84*.
5. Befestigen Sie das Ende des Kabels an einem Pfahl.

## So starten Sie das Gerät

1. Neigen Sie den Lenker zur Seite. Siehe *So neigen Sie den Lenker auf Seite 84*.
2. Öffnen Sie den Akkudeckel.
3. Legen Sie einen geladenen Akku in das Akkufach Nummer 1 unter der Akkuabdeckung. Für eine längere Betriebsdauer legen Sie einen zweiten aufgeladenen Akku in das Akkufach 2.
4. Trennen Sie den Sicherheitsschlüssel von dessen Halter.
5. Drücken Sie den Sicherheitsschlüssel in den Sicherheitsverschluss. (Abb. 34)
6. Halten Sie sich immer hinter dem Gerät auf.
7. Drücken Sie die Standby-Taste (A) auf dem Bedienfeld. Die Standby-Lampe (B) leuchtet auf. (Abb. 35)
8. Drücken Sie die Start-/Stopp-Taste (C), bis sie einrastet. Der Motor startet.



**ACHTUNG:** Betreiben Sie das Gerät nicht, wenn die Warnlampe (D) aufleuchtet.

9. Drücken Sie den Bohrbügel in Richtung des Lenkers, um den Bohrer zu aktivieren. (Abb. 36)

## So verwenden Sie den Radantrieb

- Ziehen Sie den Antriebssteuerbügel (A) in Richtung des Lenkers, um den Radantrieb zu aktivieren. (Abb. 37)
- Lassen Sie den Antriebssteuerbügel los, um den Radantrieb zu deaktivieren.

## So stellen Sie die Kabelverlegungstiefe ein

1. Lösen Sie den Drehknopf (A). (Abb. 38)
2. Stellen Sie das Stützrad (B) auf die erforderliche Kabelverlegungstiefe ein und ziehen Sie den Drehknopf fest.

**Hinweis:** Die Zahlen (C) auf der Seite des Stützradrohrs zeigen die Kabelverlegungstiefe in cm an. Die Kabelverlegungstiefe kann zwischen 1 und 6 cm eingestellt werden.

## So stellen Sie die Höhe des Lenkers ein

Die Lenkerhöhe kann auf 5 Positionen eingestellt werden.

1. Drehen Sie den Griff (A) gegen den Uhrzeigersinn, um ihn zu lösen, und entfernen Sie den Knopf (B). (Abb. 39)
2. Stellen Sie die Lenkerhöhe ein und setzen Sie den Knopf in die Öffnung, die der nächsten Position entspricht.
3. Drehen Sie den Griff im Uhrzeigersinn, um ihn zu festzuziehen.

## So neigen Sie den Lenker

Sie können den Lenker neigen, um zu verhindern, dass Sie beim Betrieb des Geräts von Hindernissen getroffen werden. Der Lenker kann auf der rechten und der linken Seite in jeweils 4 Positionen geneigt werden.

1. Ziehen Sie den Lenker-Neigungsbügel (A) vollständig in Richtung des Lenkers und halten Sie ihn fest. Der Lenker-Neigungsbügel befindet sich unten links am Lenker. (Abb. 40)
2. Neigen Sie den Lenker in eine der 4 Positionen nach links oder rechts und lassen Sie den Lenker-Neigungsbügel los. Stellen Sie sicher, dass sich der Stift, der die Lenkerposition arretiert, in einem der Schlitze befindet. (Abb. 41)

## So sperren Sie die Schwenkfunktion der Zuführleiste

Um die Richtungsgenauigkeit zu erhöhen, wenn Sie das Kabel in langen geraden Abschnitten verlegen, können Sie die Schwenkfunktion der Zuführleiste sperren.

- Stellen Sie sicher, dass sich die Zuführleiste in der gleichen Richtung wie das Gerät befindet, und ziehen Sie den Griff (A) fest. (Abb. 42)

## So stellen Sie die Kabelführung ein

Das Gerät ist auf 4-mm-Kabel eingestellt. Hat das Kabel einen größeren Durchmesser, muss die Kabelführung entsprechend angepasst werden.

1. Lösen Sie die zwei Schrauben. (Abb. 43)
2. Schieben Sie die Kabelführung einige Millimeter nach oben.
3. Ziehen Sie die 2 Schrauben an.

## So stellen Sie die Spurweite ein

Die Position der Räder kann auf verschiedene Spurweiten eingestellt werden. Die Achsen auf der linken und rechten Seite verfügen jeweils über 4 Einstelllöcher. Die Spurweite kann auf 250, 270, 290 oder 310 mm von der Bohrermitte eingestellt werden. (Abb. 44)

1. Ziehen Sie den Stift (A) heraus.
2. Stellen Sie die Räder auf die erforderliche Spurweite ein.
3. Stecken Sie den Stift in eines der 4 Löcher (B) auf der Achse.
4. Arretieren Sie die Sicherungsfeder.

## So beginnen Sie mit den Arbeiten

Nachdem Kabel und Bohrer installiert wurden muss der Bediener das Kabel am Boden fixieren.

1. Stecken Sie einen Pfahl in den Boden.
2. Befestigen Sie den unten aus der Kabelführung kommenden Teil des Kabels am Pfahl.

## So verwenden Sie die Doppelkabelführung

Wenn das Gerät den Außenbereich des Arbeitsbereichs verlässt, müssen zwei Kabel gleichzeitig verlegt werden.

1. Verlegen Sie ein Kabel entlang des gesamten Außenbereichs. Siehe Abbildungen (A) und (B). (Abb. 45) (Abb. 46)
2. Wenn Sie sich an der in Abbildung (C) dargestellten Position befinden, bringen Sie das Stützrad in die höchste Position, um die Zuführleiste vom Boden zu entfernen. Befestigen Sie das Kabel mit einem Pfahl und fahren Sie mit dem Kabel über dem Boden fort, bis Sie zum nächsten Punkt gelangen. (Abb. 47)

3. Befestigen Sie das Kabel an der in Abbildung (D) dargestellten Position mit einem Pfahl. (Abb. 48)
  4. Bringen Sie die Zuführleiste in die richtige Kabelverlegungstiefe und fahren Sie mit dem Verlegen des Kabels fort, um die Insel zu erstellen. Siehe Abbildung (E). (Abb. 49)
  5. Wenn Sie die in Abbildung (F) dargestellte Position erreicht haben, entfernen Sie den Pfahl und reinigen die Zuführleiste. Siehe *So reinigen Sie die Zuführleiste auf Seite 86*. (Abb. 50)
  6. Montieren Sie das Kabel über dem Boden in der Kabelführung. (Abb. 51)
  7. Verlegen Sie beide Kabel gleichzeitig bis zu der in Abbildung (G) dargestellten Position. Befestigen Sie beide Kabel an einem Pfahl und trennen Sie das zweite Kabel von der Kabelführung. (Abb. 52)
  8. Fahren Sie mit dem Verlegen des Außenbereichskabels bis zu der in Abbildung (H) dargestellten Position fort. (Abb. 53)
1. Lassen Sie den Antriebsbügel (A) los, um den Radantrieb zu deaktivieren. (Abb. 37)
  2. Lassen Sie den Bohrbügel los, um den Bohrer zu stoppen. (Abb. 17)
  3. Drücken Sie die Start-/Stopp-Taste auf dem Bedienfeld.
  4. Drücken Sie die Standby-Taste auf dem Bedienfeld.
  5. Öffnen Sie den Akkudeckel.
  6. Entfernen Sie den Sicherheitsschlüssel aus der Sicherheitssperre und geben Sie ihn in den Sicherheitsschlüsselhalter.
  7. Reinigen Sie die Zuführleiste mit dem Schaber. Siehe *So reinigen Sie die Zuführleiste auf Seite 86*.
  8. Reinigen und schmieren Sie den Bohrkopf nach jedem Einsatz. Siehe *So reinigen und schmieren Sie den Bohrkopf auf Seite 86*.

## So stoppen Sie das Gerät

Das Gerät stoppt automatisch, wenn Sie es für 3 Minuten nicht in Betrieb nehmen.

---

# Wartung

---

## Einleitung



**WARNUNG:** Bevor Sie eine Wartung durchführen, müssen Sie das Kapitel über die Sicherheit lesen und verstehen.

Für alle Wartungs- und Reparaturarbeiten am Produkt ist eine spezielle Schulung erforderlich. Wir garantieren die Verfügbarkeit von professionellen Reparaturen und Wartungsarbeiten.

Genauere Informationen finden Sie unter [www.husqvarna.com](http://www.husqvarna.com).

## Wartungsplan

Die Wartungsintervalle werden anhand der täglichen Nutzung des Geräts berechnet. Die Intervalle ändern sich, wenn das Gerät nicht täglich verwendet wird.

Informationen zur Wartung mit \* finden Sie unter *Sicherheitsvorrichtungen am Gerät auf Seite 80*.

	Nach jedem Einsatz	Monatlich	Zu jeder Jahreszeit
Allgemeine Inspektion durchführen.	X		
Sicherstellen, dass die Sicherheitsvorrichtungen am Gerät nicht beschädigt sind *.	X		
Bohrer und Zuführleiste kontrollieren.	X		
Den Bohrbügel prüfen *.	X		
Sicherstellen, dass die Start-/Stopp-Taste richtig funktioniert und nicht beschädigt ist.	X		
Den Akku auf Schäden kontrollieren.	X		
Den Ladezustand des Akkus überprüfen.	X		
Sicherstellen, dass die Entriegelungstasten am Akku richtig funktionieren und der Akku in das Gerät einrastet.	X		

	Nach jedem Einsatz	Monatlich	Zu jeder Jahreszeit
Die Lufteinlässe am Motor reinigen. Sicherstellen, dass sich kein Gras oder Schmutz in den Lufteinlässen befindet.	X		
Unlackierte Teile schmieren.	X		
Teile schmieren, deren Zinkschicht abgenutzt ist.	X		
Den Bohrkopf reinigen und schmieren.	X		
Die Zuführleiste reinigen.	X		
Das Ladegerät auf Beschädigungen überprüfen und sicherstellen, dass es ordnungsgemäß funktioniert.		X	
Die Verbindungen zwischen Akku und Gerät überprüfen. Die Verbindung zwischen Akku und Ladegerät ebenfalls überprüfen.			X

## So reinigen Sie die Zuführleiste

- Verwenden Sie den Schaber, um Erde zu entfernen und die Zuführleiste zu reinigen. (Abb. 54)

## So ersetzen Sie die Zuführleiste

1. Neigen Sie das Gerät nach vorne und legen Sie es vorsichtig auf den Boden.
2. Entfernen Sie die 2 Schrauben (A) und die Zuführleiste (B). (Abb. 55)
3. Installieren Sie die neue Zuführleiste in umgekehrter Reihenfolge.

## So ersetzen Sie den Bohrer

1. Entfernen Sie Gras und Schmutz vom Gerät.



**ACHTUNG:** Achten Sie darauf, dass während der Installation kein Schmutz oder andere unerwünschte Materialien in den Bohrer gelangen.

**Hinweis:** Reinigen und schmieren Sie das Gehäuse der Bohrers nach jedem Einsatz.

2. Entfernen Sie die kleine Schraube (A) und den Bohrkopf (B) aus der Welle (C). (Abb. 56)

**Hinweis:** Zum Ersetzen des Bohrers ist ein 6-mm-Sechskantschlüssel erforderlich.

3. Entfernen Sie die lange Schraube (D) und den Bohrer (E) aus dem Bohrkopf.
4. Setzen Sie einen neuen Bohrer in den Bohrkopf ein und bringen Sie die lange Schraube an.
5. Montieren Sie den Bohrkopf auf der Welle.
6. Ziehen Sie die Schrauben an.

## So reinigen und schmieren Sie den Bohrkopf

Reinigen Sie den Bohrkopf nach jedem Einsatz gründlich.

1. Neigen Sie das Gerät nach vorne und legen Sie es vorsichtig auf den Boden.
2. Entfernen Sie Gras, Schmutz und unerwünschte Materialien mit einer weichen Bürste.
3. Entfernen Sie kleinere Gras- und Schmutzpartikel mit Druckluft.
4. Entfernen Sie die Schrauben (A) vom Bohrkopf (B) und entfernen Sie den Bohrer (C). (Abb. 56)
5. Lösen Sie die 2 Schrauben (D) und entfernen Sie die Zuführleiste (E). (Abb. 57)
6. Entfernen Sie die Schraube (F) und den Bohrkopf (G) von der Welle (H). (Abb. 58)
7. Reinigen Sie das Gerät mit Druckluft. Achten Sie darauf, dass Schmutz, Gras und andere unerwünschte Materialien vollständig entfernt werden.
8. Entfernen Sie bei Bedarf schmutziges Fett mit einem geeigneten Lösungsmittel.
9. Reinigen Sie alle Komponenten mit einem geeigneten Lösungsmittel und schmieren Sie alle Komponenten.
10. Tragen Sie wasserabweisendes Schmierfett auf die Welle auf. (Abb. 59)

## So reinigen Sie den Akku und das Ladegerät



**WARNUNG:** Reinigen Sie weder den Akku noch das Ladegerät mit Wasser.



**WARNUNG:** Verwenden Sie keine chemischen Substanzen zum Reinigen des Akkus.

- Reinigen Sie die Akkuklemmen mit Druckluft oder einem weichen, trockenen Tuch.
  - Reinigen Sie die Oberflächen des Akkus und des Ladegeräts mit einem weichen, trockenen Tuch.
- Stellen Sie sicher, dass der Akku und das Ladegerät sauber und trocken sind, bevor Sie den Akku in das Ladegerät einlegen.

## Fehlerbehebung

### Fehlersuche

Wenn Sie in dieser Bedienungsanleitung keine Lösung für Ihre Probleme finden können, wenden Sie sich an Ihre Husqvarna Servicewerkstatt.

Problem	Ursache
Der Motor startet nicht.	Der Akku ist nicht geladen.
	Der Akku ist nicht korrekt installiert.
	Der Akku ist defekt.
	Das Bedienfeld ist defekt.
Der Bohrer dreht sich nicht.	Der Riemen ist verschlissen.
	Der Riemen ist aus den Riemenscheiben gesprungen.
	Der Hebel spannt den Riemen nicht ausreichend.
Der Bohrer dreht sich weiter, wenn der Bohrbügel losgelassen wird.	Das Kabel des Bohrbügels ist verschlissen oder beschädigt.
Das Gerät arbeitet nicht korrekt.	Der Bohrer ist verschlissen oder beschädigt.
	Der Bohrer ist nicht korrekt installiert.
Das Gerät bewegt sich bei aktiviertem Antriebsbügel nicht.	Das Kabel des Antriebsbügels ist verschlissen oder beschädigt.
	Die Treibriemen sind verschlissen.
	Die Kette ist defekt oder nicht ausreichend gespannt.
	Die Kupplungsscheiben im Getriebegehäuse sind verschlissen.
Der Bohrkopf kann nicht entfernt werden.	Es befindet sich unerwünschtes Material im Gerät.
	Das System ist oxidiert.
Die Isolierung des im Boden verlegten Kabels ist beschädigt.	Die Kabelauslassöffnung an der Zuführleiste ist beschädigt.
	Das zur Zuführleiste gehörende Rohr, welches das Kabel enthält, ist verschmutzt.

## Akku

LED-Anzeige am Akku	Ursache	Lösung
Die grüne LED blinkt.	Die Akkuspannung ist niedrig.	Den Akku laden. Siehe <i>So laden Sie den Akku auf Seite 83</i> .
Die Fehler-LED blinkt.	Der Akku ist schwach.	Den Akku laden. Siehe <i>Akku auf Seite 88</i> .
	Die Temperatur in der Arbeitsumgebung ist zu hoch oder zu niedrig.	Der Akku darf nur bei Temperaturen zwischen -10 und 40 °C verwendet werden.
	Überspannung.	Sicherstellen, dass die Netzspannung mit dem auf dem Typenschild des Geräts angezeigten Spannungswert übereinstimmt.  Den Akku aus dem Ladegerät entnehmen. 5 Sekunden und warten und erneut versuchen, den Akku aufzuladen. Falls das Problem weiter besteht, eine autorisierte Servicewerkstatt kontaktieren.
Die Fehler-LED leuchtet.	Die Zellendifferenz ist zu groß (1 V).	Bitte eine autorisierte Servicewerkstatt kontaktieren.

## Akkuladegerät

Die LED am Akkuladegerät	Ursache	Lösung
Die Fehler-LED blinkt.	Die Temperatur in der Arbeitsumgebung ist zu hoch oder zu niedrig.	Das Ladegerät darf nur in Umgebungen mit Temperaturen zwischen 5 und 40 °C verwendet werden.
Die Fehler-LED leuchtet.		Bitte eine autorisierte Servicewerkstatt kontaktieren.

## Bedienfeld

Fehlercode (Blinkanzahl)	Mögliche Fehler	Mögliches Verfahren
5	Die Motordrehzahl fällt zu stark ab, und der Motor stoppt.	Den Bohrkopf reinigen und die Kabelverlegungstiefe verringern. Siehe <i>So reinigen und schmieren Sie den Bohrkopf auf Seite 86</i> und <i>So stellen Sie die Kabelverlegungstiefe ein auf Seite 84</i> . Wenn der Fehler weiterhin besteht, bitte Ihre autorisierte Servicewerkstatt kontaktieren.
8	Der Akku ist schwach.	Akku aufladen. Siehe <i>So laden Sie den Akku auf Seite 83</i> .
9	Akkufehler oder kein Signal vom Akku.	Den Akku korrekt in das Gerät einsetzen und den Akkuanschluss überprüfen. Wenn die Fehler-LED am Akku blinkt, siehe <i>Akku auf Seite 88</i> .



Fehlercode (Blinkanzahl)	Mögliche Fehler	Mögliches Verfahren
10	Die Motorsteuerung ist zu heiß.	Den Motor abschalten und warten, bis er sich abgekühlt hat.
Andere Fehler	Wenn andere Fehler auftreten, entfernen Sie den Sicherheitsschlüssel und den Akku und wenden sich an eine zugelassene Servicewerkstatt.	

## Transport, Lagerung und Entsorgung

### Einleitung



**WARNUNG:** Um ein unbeabsichtigtes Starten beim Transport zu verhindern, ziehen Sie den Sicherheitsschlüssel heraus, entfernen Sie den Akku und warten Sie mindestens 5 Sekunden.

### Transport

- Die enthaltenen Lithium-Ionen-Batterien unterliegen den gesetzlichen Bestimmungen zu gefährlichen Gütern.
- Für gewerbliche Transporte müssen besondere Anforderungen bei Verpackung und Kennzeichnung eingehalten werden.
- Stellen Sie sicher, dass Sie sich an die Vorschriften für gefährliche Güter halten, wenn Sie das Produkt für den Transport vorbereiten. Gegebenenfalls gelten örtliche Vorschriften.
- Entnehmen Sie die für den Transport stets den Akku.
- Decken Sie die Akkustecker mit Klebeband ab und stellen Sie sicher, dass der Akku sich während des Transports nicht bewegen kann.
- Sichern Sie das Produkt während des Transports.

### Lagerung

- Lassen Sie das Gerät vor der Lagerung abkühlen.
- Entnehmen Sie für die Lagerung stets den Akku.
- Stellen Sie zur Vermeidung von Unfällen sicher, dass der Akku während der Lagerung nicht an das Gerät angeschlossen bleibt.
- Bewahren Sie das Ladegerät an einem geschlossenen und trockenen Ort auf.
- Bewahren Sie den Akku und das Ladegerät an einem trockenen Ort ohne Feuchtigkeit oder Frost auf.
- Trennen Sie den Akku während der Lagerung vom Ladegerät.
- Lagern Sie den Akku nicht an einem Ort, an dem es zu elektrostatischen Entladungen kommen kann. Bewahren Sie den Akku nicht in einem Metallkasten auf.

- Lagern sie das Gerät bei einer Umgebungstemperatur zwischen  $-10$  und  $40$  °C.
- Lagern Sie den Akku an einem Ort mit einer Umgebungstemperatur zwischen  $5$  und  $25$ °C und setzen Sie ihn nicht direkter Sonneneinstrahlung aus.
- Lagern Sie das Ladegerät an einem Ort mit einer Umgebungstemperatur zwischen  $5$  und  $45$ °C und setzen Sie es nicht direkter Sonneneinstrahlung aus.
- Stellen Sie sicher, dass der Akkustand mindestens zwischen  $30$  und  $50$  % beträgt, bevor Sie das Gerät für längere Zeit einlagern.
- Bewahren Sie das Gerät, den Akku und das Ladegerät an einem verschließbaren Ort und für Kinder und unbefugte Personen unzugänglich auf.
- Reinigen Sie das Gerät.
- Führen Sie die Wartungsarbeiten durch, die in dieser Betriebsanleitung beschrieben sind. Siehe *Wartungsplan auf Seite 85*.
- Führen Sie eine vollständige Wartung durch, bevor Sie das Gerät längere Zeit einlagern.

### Entsorgung

Durch Symbole auf dem Produkt oder seiner Verpackung wird angezeigt, dass dieses Produkt nicht über den Hausmüll entsorgt werden darf. Es ist einer entsprechenden Recycling-Einrichtung zuzuführen, damit elektrische und elektronische Komponenten wiedergewonnen werden können.

Dadurch, dass Sie sicherstellen, dass Sie mit diesem Produkt sorgfältig umgehen, können Sie helfen, den potentiellen negativen Auswirkungen auf die Umwelt und Ihre Mitmenschen entgegenzuwirken, die sich andernfalls durch eine unsachgemäße Entsorgung dieses Produkts ergeben können. Genauere Informationen über die ordnungsgemäße Entsorgung dieses Produkts erhalten Sie bei Ihrer Stadtverwaltung, Ihrem Abfallentsorgungsunternehmen oder dem Geschäft, in dem Sie Ihr Produkt gekauft haben.

(Abb. 60)

# Entsorgen von Elektro- und Elektronik-Altgeräten

Gilt nur für Deutschland



Die durchgestrichene Abfalltonne weist darauf hin, dass Sie gesetzlich verpflichtet sind, dieses Gerät getrennt vom sortierten Siedlungsabfall zu entsorgen. Die Entsorgung im Restmüll oder im gelben Sack ist verboten. Wenn das Produkt Einwegbatterien oder Akkus enthält, die nicht dauerhaft installiert sind, müssen diese vor der Entsorgung des Produkts entfernt und separat als Batterien bzw. Akkus entsorgt werden.

## Entfernen von Batterien, Akkus und Leuchtmitteln:

Batterien, Akkus oder Leuchtmittel, die aus dem Produkt entfernt werden können, ohne es zu beschädigen, müssen vor der Entsorgung entfernt und separat als Batterien, Akkus oder Leuchtmittel entsorgt werden. Die folgenden Batterien oder Akkus sind in diesem Produkt enthalten:

- **Akkutyp:** Li-ion
- **Chemie:** Lithium

## Informationen zur Rückgabe von Elektro- und Elektronik-Altgeräten für Privathaushalte:

Wie im Folgenden näher beschrieben, sind bestimmte Verreiber verpflichtet, Elektro- und Elektronik-Altgeräte kostenlos zurückzunehmen.

Vertreiber von Elektro- und Elektronikgeräten mit einer Verkaufsfläche von mindestens 400 m<sup>2</sup> und Lebensmittelhändler mit einer Gesamtverkaufsfläche von mindestens 800 m<sup>2</sup>, die mehrmals im Kalenderjahr oder beständig Elektro- und Elektronikgeräte abgeben und verkaufen, sind unter den folgenden Umständen zur Rücknahme von Geräten verpflichtet:

1. Beim Verkauf eines neuen Elektro- oder Elektronikgeräts muss der Verreiber ein Altgerät desselben Gerätetyps kostenlos zurücknehmen, das im Wesentlichen die gleichen Funktionen wie das neue Gerät bereitstellt. Dies muss an dem Standort, an dem das Gerät abgegeben wird, oder in unmittelbarer Nähe geschehen. Privathaushalte gelten auch als der Ort, an dem das Gerät abgegeben wird, sofern das Produkt dorthin geliefert wird: In diesem Fall werden Altgeräte ohne Kosten für den Endbenutzer abgeholt.
2. Der Verreiber muss Altgeräte mit einem Durchmesser von weniger als 25 cm auf Wunsch

des Endbenutzers an der Verkaufsstelle oder in unmittelbarer Nähe zurücknehmen. Diese Rückgabe muss nicht mit dem Kauf von Elektro- oder Elektronikgeräten in Verbindung stehen und ist auf drei Altgeräte pro Gerätetyp beschränkt.

Bei Abschluss des Kaufvertrags für ein neues Elektro- oder Elektronikgerät muss der Verreiber den Endbenutzer über sein Recht informieren, das Altgerät zurückzugeben oder kostenlos abholen zu lassen, und den Endbenutzer fragen, ob er beabsichtigt, ein Altgerät bei der Lieferung des neuen Geräts zurückzugeben.

Dies gilt auch für den Vertrieb über Telekommunikation, wenn die Lager- und Versandfläche für Elektro- und Elektronikgeräte mindestens 400 m<sup>2</sup> beträgt oder wenn die gesamte Lager- und Versandfläche mindestens 800 m<sup>2</sup> beträgt, wobei die kostenlose Abholung von Elektro- oder Elektronikgeräten auf die folgenden Kategorien beschränkt ist:

- 1 (Wärmeüberträger)
- 2 (Geräte mit Displays) und
- 4 (große Geräte mit mindestens einer äußeren Abmessung von mehr als 50 cm)

Für alle anderen Elektro- und Elektronikgeräten muss der Verreiber entsprechende Rücknahmestellen in angemessener Nähe zum Endverbraucher sicherstellen. Dies gilt auch für Altgeräte, bei denen keine äußere Abmessung 25 cm überschreitet, die der Endbenutzer zurückgeben möchte, ohne ein neues Gerät zu erwerben.

## Datenschutz

Alle Endbenutzer von Elektro- und Elektronik-Altgeräten sind dafür verantwortlich, alle personenbezogenen Daten von den zu entsorgenden Elektro- und Elektronik-Altgeräten zu löschen.

## WEEE-Registrierungsnummer

Husqvarna 10168717

## Sammlungs- und Verwertungsraten

Gemäß der WEEE-Richtlinie sind die EU-Mitgliedstaaten verpflichtet, Daten über Elektro- und Elektronik-Altgeräte zu sammeln und diese Daten an die Europäische Kommission zu übermitteln. Weitere Informationen hierzu finden Sie auf der BMUV-Website: <https://www.bmu.de/themen/wasser-ressourcen-abfall/kreislaufwirtschaft/statistiken/elektro-und-elektronikaltgeraete>

---

## Technical data

---

Bohmotor

Motortyp	BLDC (bürstenlos) 36 V
Motordrehzahl – Nennwert, U/min	3000/min
Motordrehzahl – hohe Belastung, U/min	3300/min
Motorleistung – maximal, kW	1,8
Motorleistung – Nennwert, kW	1,2
Getriebe	Mechanisches Getriebe mit Ölbad
Kupplung	Riementyp, mit Scheiben
<b>Gewicht</b>	
Gewicht ohne Akku, kg	39
Gewicht einschließlich 2 x BLi300, kg	43
<b>Akku</b>	
Akkutyp	Husqvarna Akkuserie
<b>Akkulaufzeit</b>	
Akkulaufzeit, Min. <sup>17</sup>	38
<b>Geräuschemissionen</b> <sup>18</sup>	
Schalleistungspegel, gemessen L <sub>WA</sub> dB(A)	84
Schalleistungspegel, garantiert L <sub>WA</sub> dB (A)	86
<b>Schallpegel</b> <sup>19</sup>	
Schalldruckpegel am Ohr des Bedieners, dB (A)	66
<b>Vibrationspegel</b> <sup>20</sup>	
Griff, m/s <sup>2</sup>	1,8
<b>Kabelverlegungs-ausrüstung</b>	
Kabelverlegungstiefe, cm	1-6
Abstand zwischen Bohrer und Radkante, mm	250, 270, 290, 310
Bohrer	597 04 84-01

Zugelassene Akkus	Marke	Typ	Akkukapazität, Ah	Spannung, V	Gewicht, lb/kg
BLi300	Husqvarna	Lithium-Ionen	9,4	36	4,1/1,9

<sup>17</sup> Leerlauf, gemessen mit aktiviertem Standardmodus und 1 Husqvarna-9,4-Ah-Akku (BLi300).

<sup>18</sup> Umweltbelastende Geräuschemissionen, gemessen als Schalleistung (L<sub>WA</sub>) gemäß EG-Richtlinie 2000/14/EG.

<sup>19</sup> Berichten zufolge liegt der Schalldruckpegel normalerweise bei einer Ausbreitungsklasse (Standardabweichung) von 1,2 dB (A).

<sup>20</sup> Berichten zufolge liegt der Vibrationspegel normalerweise bei einer Ausbreitungsklasse (Standardabweichung) von 0,2 m/s<sup>2</sup>. Vibrationsnorm EN 1032+A1:2009.

Zugelassene Ladegeräte für die angegebenen Akkus, BLi	Marke	Eingangsspannung, V	Frequenz, Hz	Leistung, W
QC500	Husqvarna	100–240	50–60	500

---

# Konformitätserklärung

---

## EU-Konformitätserklärung

Die **Husqvarna AB**, SE-561 82 Huskvarna, Schweden,  
Tel.: +46-36-146500, erklärt in alleiniger Verantwortung,  
dass das Gerät:

<b>Beschreibung</b>	Kabelverlegungsmaschine
<b>Marke</b>	Husqvarna
<b>Typ/Modell</b>	CL400i
<b>Identifizierung</b>	Seriennummern ab 2022

die folgenden EU-Richtlinien und -Verordnungen erfüllt:

<b>Verordnung</b>	<b>Beschreibung</b>
2006/42/EG	„Maschinenrichtlinie“
2014/30/EG	„EMV-Richtlinie“
2011/65/EG	„zur Beschränkung der Verwendung bestimmter gefährlicher Stoffe in Elektro- und Elektronikgeräten“

und dass die folgenden Normen und/oder technischen  
Daten angewendet werden: EN ISO 12100:2010,  
EN ISO 14119:2013, EN ISO 14120:2015, EN ISO  
13857:2019, EN 62841-1:2015+AC:2015, EN ISO  
11202:2010, EN 1032:2009, EN 55014-1:2017, EN  
55014-2:2015, EN 63000:2018.

Informationen zu Geräuschemissionen finden Sie unter  
*Technical data auf Seite 90.*

Huskvarna, 2022-03-21



Claes Lossal, Entwicklungsleiter/Gartenprodukte,  
Husqvarna AB

Verantwortlich für die technische Dokumentation



---

## Περιεχόμενα

---

Εισαγωγή.....	94	Αντιμετώπιση προβλημάτων.....	106
Ασφάλεια.....	95	Μεταφορά, αποθήκευση και απόρριψη.....	108
Συναρμολόγηση.....	100	Τεχνικά στοιχεία.....	109
Λειτουργία.....	101	Δήλωση Συμμόρφωσης.....	111
Συντήρηση.....	104		

---

## Εισαγωγή

---

### Περιγραφή προϊόντος

Το προϊόν είναι ένα προϊόν διάστρωσης καλωδίου που ελέγχεται από τον πεζό χειριστή.

### Προβλεπόμενη χρήση

Χρησιμοποιήστε το προϊόν για να τοποθετήσετε καλώδιο οριοθέτησης και καλώδιο οδήγησης για τα ρομποτικά

### Επισκόπηση προϊόντος

(Εικ. 1)

1. Ασφάλεια λειτουργίας διάρτησης
2. Ασφάλεια κλίσης λαβής
3. Ασφάλεια οδήγησης
4. Μετρητής
5. Μηχανισμός περιτύλιξης καλωδίου
6. Πτερύγιο προφοδοσίας
7. Τρυπάνι
8. Ταμπλό ελέγχου
9. Κλειδί ασφαλείας
10. Μπαταρία (αξεσουάρ)
11. Φορτιστής μπαταρίας (αξεσουάρ)
12. Εγχειρίδιο χρήσης

### Σύμβολα στο προϊόν

(Εικ. 2) ΠΡΟΕΙΔΟΠΟΙΗΣΗ

(Εικ. 3) Προειδοποίηση: Κινούμενα μέρη.

Διατηρήστε σε απόσταση τα χέρια και τα πόδια σας.

(Εικ. 4) Προσέχετε για αντικείμενα που μπορεί να εκτοξευθούν ή να εξοστρακιστούν.

(Εικ. 5) Διαβάστε τις οδηγίες.

(Εικ. 6) Διατηρήστε τα άλλα άτομα και τα ζώα σε απόσταση ασφαλείας από την περιοχή εργασίας.

(Εικ. 7) Κίνδυνος τραυματισμού των ματιών των παρευρισκομένων.

χλοοκοπτικά στο έδαφος. Μην χρησιμοποιείτε το προϊόν για άλλες εργασίες.

(Εικ. 8) Αποφύγετε την έκθεση στη βροχή.

(Εικ. 9) Χρησιμοποιείτε προστατευτικό γείσο.

(Εικ. 10) Κατάσταση αναμονής (μαύρο κουμπί).

(Εικ. 10) Έναρξη και διακοπή του κινητήρα (κόκκινο κουμπί).

(Εικ. 11) Το προϊόν ή η συσκευασία του προϊόντος δεν αποτελεί οικιακό απόρριμμα. Ανακυκλώστε το σε κέντρο ανακύκλωσης ηλεκτρικού και ηλεκτρονικού εξοπλισμού.

(Εικ. 12) Το προϊόν συμμορφώνεται με τις ισχύουσες οδηγίες ΕΚ.

(Εικ. 13) Αυτό το προϊόν συμμορφώνεται με τις ισχύουσες οδηγίες του Η.Β.

(Εικ. 14) Ετικέτα εκπομπών θορύβου στο περιβάλλον σύμφωνα με οδηγίες και κανονισμούς της ΕΕ και του Η.Β. και τη νομοθεσία της Νότιας Νέας Ουαλίας "Κανονισμός για την προστασία των περιβαλλοντικών δράσεων (έλεγχος θορύβου) του 2017". Η εγγυημένη στάθμη θορύβου του προϊόντος καθορίζεται στην ενότητα *Τεχνικά στοιχεία στη σελίδα 109* και στην ετικέτα.

(Εικ. 15) Το προϊόν διαθέτει προστασία από διαρροές νερού.

---

**Περιεχόμενα** Άλλα σύμβολα/σήματα που υπάρχουν στο προϊόν αναφέρονται σε απαιτήσεις πιστοποίησης για ορισμένες αγορές.

---

## Ζημιά στο προϊόν

Δεν φέρουμε ευθύνη για ζημιές στο προϊόν μας εάν:

- Το προϊόν έχει επισκευαστεί λανθασμένα.

- Το προϊόν έχει επισκευαστεί με εξαρτήματα που δεν προέρχονται από τον κατασκευαστή ή που δεν έχουν εγκριθεί από τον κατασκευαστή.
- Το προϊόν διαθέτει ένα αζεσουάρ που δεν προέρχεται από τον κατασκευαστή ή που δεν έχει εγκριθεί από τον κατασκευαστή.
- Το προϊόν δεν έχει επισκευαστεί σε εγκεκριμένο κέντρο σέρβις ή από εγκεκριμένη αρχή.

---

## Ασφάλεια

---

### Ορισμοί για την ασφάλεια

Για την επισήμανση ειδικών σημαντικών τμημάτων του εγχειριδίου χρησιμοποιούνται προειδοποιητικές, συστάσεις προσοχής και σημειώσεις.



**ΠΡΟΕΙΔΟΠΟΙΗΣΗ:** Χρησιμοποιείται όταν υπάρχει κίνδυνος τραυματισμού ή θανάτου του χειριστή ή άλλων παριστάμενων ατόμων, αν δεν τηρηθούν οι οδηγίες που παρέχονται στο εγχειρίδιο.



**ΠΡΟΣΟΧΗ:** Χρησιμοποιείται όταν υπάρχει κίνδυνος πρόκλησης ζημιάς στο προϊόν, σε άλλα υλικά ή στον παρακείμενο χώρο, αν δεν τηρηθούν οι οδηγίες που παρέχονται στο εγχειρίδιο.

---

**Περιεχόμενα** Χρησιμοποιείται για παροχή περισσότερων πληροφοριών, οι οποίες χρειάζονται σε μια δεδομένη κατάσταση.

---

### Γενικές προειδοποιήσεις ασφαλείας για το προϊόν



**ΠΡΟΕΙΔΟΠΟΙΗΣΗ:** Διαβάστε όλες τις προειδοποιήσεις, τις οδηγίες, τις εικόνες και τις προδιαγραφές ασφαλείας που παρέχονται με αυτό το προϊόν. Η μη τήρηση όλων των οδηγιών που αναφέρονται παρακάτω μπορεί να προκαλέσει ηλεκτροπληξία, πυρκαγιά ή/και σοβαρό τραυματισμό.

**Φυλάξτε τις προειδοποιήσεις και τις οδηγίες για μελλοντική αναφορά.** Ο όρος "πρόϊόν" που χρησιμοποιείται στις προειδοποιήσεις αναφέρεται σε προϊόν που τροφοδοτείται από το δίκτυο ρεύματος (με καλώδιο) ή σε προϊόν που τροφοδοτείται από μπαταρία (χωρίς καλώδιο).

### Ασφάλεια στο χώρο εργασίας

- Διατηρείτε το χώρο εργασίας καθαρό και με καλό φωτισμό. Οι ακατάστατοι ή σκοτεινοί χώροι ενέχουν τον κίνδυνο ατυχημάτων.

- **Μην χειρίζεστε το προϊόν σε εκρηκτικές ατμόσφαιρες, π.χ. στον ίδιο χώρο με εύφλεκτα υγρά, αέρια ή σωματίδια σκόνης.** Το προϊόν δημιουργεί σπινθήρες, οι οποίοι ενδέχεται να προκαλέσουν την ανάφλεξη των σωματιδίων σκόνης ή των καπνών.
- **Κατά τον χειρισμό του προϊόντος, δεν πρέπει να βρίσκονται κοντά παιδιά ή άλλοι παρευρισκόμενοι.** Ενδέχεται να αποσπάσουν την προσοχή σας, με αποτέλεσμα να χάσετε τον έλεγχο.

### Ασφάλεια με το ηλεκτρικό ρεύμα

- **Το βύσμα του προϊόντος πρέπει να ταιριάζει στην πρίζα. Μην τροποποιείτε ποτέ το βύσμα. Μην χρησιμοποιείτε προσαρμογείς με γειωμένα προϊόντα.** Η χρήση μη τροποποιημένων φις και αντίστοιχων πριζών μειώνει τον κίνδυνο ηλεκτροπληξίας.
- **Αποφεύγετε την επαφή του σώματος με γειωμένες επιφάνειες, όπως σωλήνες, καλοριφέρ, κουζίνες και ψυγεία.** Υπάρχει αυξημένος κίνδυνος ηλεκτροπληξίας, αν το σώμα σας έρθει σε επαφή με τη γείωση.
- **Μην εκθέτετε τα προϊόντα στη βροχή ή σε συνθήκες υγρασίας.** Σε περίπτωση εισχώρησης νερού στο προϊόν, αυξάνεται ο κίνδυνος ηλεκτροπληξίας.
- **Μην προκαλείτε φθορά στο καλώδιο. Μην χρησιμοποιείτε ποτέ το καλώδιο για τη μεταφορά, το τράβηγμα ή την αποσύνδεση του προϊόντος.** Φυλάσσετε το καλώδιο μακριά από θερμότητα, λάδια, αιχμηρές άκρες ή κινούμενα εξαρτήματα. Εάν το καλώδιο καταστραφεί ή εμπλακεί, αυξάνεται ο κίνδυνος ηλεκτροπληξίας.
- **Όταν χρησιμοποιείτε ένα προϊόν σε εξωτερικό χώρο, χρησιμοποιήστε ένα καλώδιο προέκτασης που είναι κατάλληλο για χρήση σε εξωτερικό χώρο.** Η χρήση καλωδίου κατάλληλου για εξωτερικό χώρο μειώνει τον κίνδυνο ηλεκτροπληξίας.
- **Αν η χρήση ενός προϊόντος σε χώρο με υγρασία είναι αναπόφευκτη, χρησιμοποιήστε παροχή ρεύματος με διάταξη προστασίας από ρεύματα διαρροής (RCD). Η χρήση μιας συσκευής RCD μειώνει τον κίνδυνο ηλεκτροπληξίας.**

### Προσωπική ασφάλεια

- **Να είστε σε εγρήγορση, να παρακολουθείτε αυτό που κάνετε και να χρησιμοποιείτε την κοινή λογική όταν χρησιμοποιείτε ένα προϊόν. Μην χρησιμοποιείτε προϊόντα όταν είστε κουρασμένοι ή υπό την επήρεια**

ναρκωτικών, αλκοόλ ή φαρμάκων. Μια στιγμή απροσεξίας κατά τον χειρισμό των προϊόντων μπορεί να οδηγήσει σε σοβαρό τραυματισμό.

- **Πρέπει να χρησιμοποιείτε προσωπικό εξοπλισμό προστασίας. Φοράτε πάντοτε προστατευτικά γυαλιά.** Ο εξοπλισμός προστασίας, όπως προστατευτική μάσκα αναπνοής, αντιολισθητικά παπούτσια ασφαλείας, κράνος ή προστατευτικά ακοής σε κατάλληλες συνθήκες, μειώνει τον κίνδυνο τραυματισμών.
- **Φροντίστε ώστε να μην είναι εφικτή η ακούσια εκκίνηση. Βεβαιωθείτε ότι ο διακόπτης βρίσκεται στη θέση Off προτού συνδέσετε το προϊόν στην πηγή τροφοδοσίας ή/και στην μπαταρία και προτού πίσσετε ή μεταφέρετε το προϊόν.** Η μεταφορά των προϊόντων, ενώ έχετε το χέρι σας στον διακόπτη, ή η σύνδεση ενεργοποιημένων προϊόντων σε πρίζα ενέχει κίνδυνο ατυχήματος.
- **Αφαιρέστε τυχόν κλειδιά προσαρμογής ή σύσφιξης, προτού ενεργοποιήσετε το προϊόν.** Ένα κλειδί σύσφιξης ή ρύθμισης που παραμένει προσαρτημένο σε κινούμενο μέρος του προϊόντος μπορεί να προκαλέσει τραυματισμό.
- **Μην τεντώνετε υπερβολικά. Να πατάτε καλά τα πόδια σας και να διατηρείτε την ισορροπία σας συνεχώς.** Έτσι επιτυγχάνεται καλύτερος έλεγχος του προϊόντος σε τυχόν απρόβλεπτες καταστάσεις.
- **Φοράτε κατάλληλα ρούχα. Μην φοράτε φαρδιά ρούχα ή κοσμήματα. Φροντίστε τα μαλλιά και τα ρούχα σας να βρίσκονται σε απόσταση από τα κινούμενα εξαρτήματα.** Τα φαρδιά ρούχα, τα κοσμήματα ή τα μακριά μαλλιά ενδέχεται να πιαστούν σε κινούμενα μέρη.
- **Εάν παρέχονται διατάξεις για τη σύνδεση συστημάτων συλλογής και απομάκρυνσης σκόνης, βεβαιωθείτε ότι αυτές έχουν συνδεθεί και χρησιμοποιούνται σωστά.** Να χρησιμοποιείτε σύστημα συλλογής σκόνης για να μειώσετε τους κινδύνους που σχετίζονται με τη σκόνη.
- **Ακόμη και αν χρησιμοποιείτε συχνά και είστε εξοικειωμένοι με τα προϊόντα, μην επαναπαύεστε και μην παραβλέπετε τις αρχές ασφαλείας των εργαλείων.** Μια απρόσεκτη ενέργεια μπορεί να προκαλέσει σοβαρό τραυματισμό σε κλάσμα του δευτερολέπτου.

## Χρήση και φροντίδα προϊόντος

- **Μην ασκείτε δύναμη το προϊόν.** Χρησιμοποιήστε το κατάλληλο προϊόν για την εφαρμογή σας. Το κατάλληλο προϊόν θα προσφέρει υψηλότερη απόδοση και ασφάλεια κατά την εργασία σας στο βαθμό για τον οποίο έχει σχεδιαστεί.
- **Μην χρησιμοποιείτε το προϊόν, εάν δεν μπορεί να ενεργοποιηθεί και να απενεργοποιηθεί με τον διακόπτη.** Ένα προϊόν που δεν μπορεί να ελεγχθεί από τον διακόπτη είναι επικίνδυνο και πρέπει να επισκευαστεί.
- **Αποσυνδέστε το βύσμα από την πηγή τροφοδοσίας ή/και αφαιρέστε την μπαταρία, αν είναι αποσπώσιμη, από το προϊόν πριν από την πραγματοποίηση**

ρυθμίσεων, την αλλαγή αξεσουάρ ή την αποθήκευση ηλεκτρικών εργαλείων. Αυτά τα προληπτικά μέτρα ασφαλείας μειώνουν τον κίνδυνο ακούσιας εκκίνησης του προϊόντος.

- **Φυλάσσετε τα προϊόντα που βρίσκονται σε αδράνεια μακριά από παιδιά και μην επιτρέπετε σε άτομα που δεν είναι εξοικειωμένα με αυτά ή με τις οδηγίες να χρησιμοποιούν το προϊόν.** Τα προϊόντα είναι επικίνδυνα στα χέρια μη εκπαιδευμένων χρηστών.
- **Συντηρείτε τα προϊόντα και τα αξεσουάρ. Ελέγξτε το προϊόν για τυχόν εσφαλμένη ευθυγράμμιση ή κινούμενα εξαρτήματα που μαγκώνουν, σπασμένα εξαρτήματα ή άλλες καταστάσεις που ενδέχεται να επηρεάσουν τη λειτουργία του προϊόντος. Σε περίπτωση ζημιάς, φροντίστε για την επισκευή του προϊόντος προτού το χρησιμοποιήσετε.** Πολλά ατυχήματα προκαλούνται από προϊόντα που δεν συντηρούνται σωστά.
- **Διατηρείτε τα εργαλεία κοπής αιχμηρά και καθαρά.** Εάν τα εργαλεία κοπής συντηρούνται σωστά, με αιχμηρές άκρες κοπής, είναι λιγότερο πιθανή η εμπλοκή τους και πιο εύκολος ο έλεγχός τους.
- **Χρησιμοποιείτε το προϊόν, τα εξαρτήματα και τα τρυπάνια σύμφωνα με τις οδηγίες αυτές, λαμβάνοντας υπόψη τις συνθήκες εργασίας και την εργασία που πρέπει να εκτελεστεί.** Η χρήση του προϊόντος για εργασίες διαφορετικές από αυτές για τις οποίες προορίζεται μπορεί να οδηγήσει σε επικίνδυνες καταστάσεις.
- **Διατηρήστε τις χειρολαβές και τις επιφάνειες κρατήματος στεγνές και καθαρές, χωρίς λάδια και γράσο.** Οι ολισθηρές λαβές και επιφάνειες κρατήματος δεν επιτρέπουν τον ασφαλή χειρισμό και έλεγχο του προϊόντος σε απρόβλεπτες καταστάσεις.

## Υπηρεσία

- **Αναθέστε το σέρβις του προϊόντος σας σε εξειδικευμένο τεχνικό για επισκευή με τη χρήση μόνο πανομοιότυπων ανταλλακτικών.** Έτσι διασφαλίζεται η ασφάλεια του προϊόντος.
- **Μην εκτελείτε εργασίες σέρβις σε κατεστραμμένες μπαταρίες.** Οι εργασίες σέρβις σε μπαταρίες θα πρέπει να εκτελούνται μόνο από τον κατασκευαστή ή από εξουσιοδοτημένα καταστήματα σέρβις.

## Χρήση και φροντίδα εργαλείων μπαταρίας

- **Να επαναφορτίζετε μόνο με το φορτιστή που ορίζεται από τον κατασκευαστή.** Ένας φορτιστής κατάλληλος για έναν τύπο συστοιχίας μπαταριών μπορεί να δημιουργήσει κίνδυνο φωτιάς κατά τη χρήση με άλλη συστοιχία μπαταριών.
- **Χρησιμοποιείτε προϊόντα μόνο με τις προδιαγραφόμενες μπαταρίες.** Η χρήση οποιασδήποτε άλλης μπαταρίας μπορεί να προκαλέσει κίνδυνο τραυματισμού και πυρκαγιάς.
- **Όταν η μπαταρία δεν χρησιμοποιείται, πρέπει να την φυλάσσετε μακριά από άλλα μεταλλικά αντικείμενα, όπως συνδετήρες, νομισματά, κλειδιά, καρφιά, βίδες ή άλλα μικρά μεταλλικά αντικείμενα, που μπορεί να προκαλέσουν ένωση των πόλων.** Η βραχυκύκλιση



των ακροδεκτών της μπαταρίας μεταξύ τους μπορεί να προκαλέσει εγκαύματα ή πυρκαγιά.

- Σε περίπτωση ακατάλληλου χειρισμού, μπορεί να εκπιναχθεί υγρό από την μπαταρία. Αποφεύγετε κάθε επαφή. Σε περίπτωση τυχαίας επαφής, ξεπλύνετε με νερό. Εάν το υγρό έρθει σε επαφή με τα μάτια, ζητήστε επίσης ιατρική βοήθεια. Η εκτόξευση υγρού από την μπαταρία μπορεί να προκαλέσει ερεθισμούς ή εγκαύματα.
- Μην χρησιμοποιείτε μπαταρίες ή εργαλεία που έχουν υποστεί ζημιά ή μετατροπές. Οι μπαταρίες που έχουν υποστεί ζημιά ή τροποποίηση μπορεί να παρουσιάσουν απρόβλεπτη συμπεριφορά με αποτέλεσμα να προκαλέσει κίνδυνο πυρκαγιάς, έκρηξης ή τραυματισμού.
- Μην εκθέτετε τις μπαταρίες ή τα εργαλεία σε φωτιά ή υπερβολική θερμοκρασία. Η έκθεση σε φωτιά ή θερμοκρασίες πάνω από 130 °C/265 °F μπορεί να προκαλέσει έκρηξη.
- Ακολουθήστε όλες τις οδηγίες φόρτισης και μην φορτίζετε τις μπαταρίες ή τα εργαλεία εκτός του εύρους θερμοκρασίας που προδιαγράφεται στις οδηγίες. Η φόρτιση με λανθασμένο τρόπο ή σε θερμοκρασίες εκτός του προδιαγραφόμενου εύρους μπορεί να προκαλέσει ζημιά στην μπαταρία και αυξάνει τον κίνδυνο πυρκαγιάς.

## Γενικές οδηγίες ασφαλείας



**ΠΡΟΕΙΔΟΠΟΙΗΣΗ:** Προτού χρησιμοποιήσετε το προϊόν, διαβάστε τις παρακάτω προειδοποιητικές οδηγίες.

- Αυτό το προϊόν είναι επικίνδυνο αν δεν χρησιμοποιηθεί σωστά ή αν δεν είστε προσεκτικοί. Αν δεν τηρείτε τις οδηγίες ασφαλείας, μπορεί να προκληθεί τραυματισμός ή θάνατος.
- Αυτό το προϊόν παράγει ηλεκτρομαγνητικό πεδίο κατά τη λειτουργία του. Το πεδίο αυτό, υπό ορισμένες συνθήκες, μπορεί να προκαλέσει παρεμβολές σε ενεργά ή παθητικά ιατρικά εμφυτεύματα. Για να μειωθεί ο κίνδυνος σοβαρών ή θανατηφόρων τραυματισμών, συνιστούμε στα άτομα με ιατρικά εμφυτεύματα να συμβουλευτούν τον θεράποντα ιατρό τους και τον κατασκευαστή του ιατρικού εμφυτεύματος, προτού θέσουν το προϊόν σε λειτουργία.
- Πρέπει πάντα να προσέχετε και να χρησιμοποιείτε την κοινή λογική. Αν δεν είστε βέβαιοι πώς να χειριστείτε το προϊόν σε μια ιδιαίτερη κατάσταση, σταματήστε και μιλήστε με τον αντιπρόσωπο της Husqvarna προτού συνεχίσετε.
- Πρέπει να θυμάστε ότι ο χειριστής θεωρείται υπεύθυνος για ατυχήματα που μπορεί να προκληθούν σε άλλα άτομα ή στην περιουσία τους.
- Να διατηρείτε το προϊόν καθαρό. Βεβαιωθείτε ότι μπορείτε να διαβάσετε καθαρά τις ενδείξεις και τα σήματα.
- Μην επιτρέπετε ποτέ σε παιδιά ή άλλα άτομα, που δεν έχουν εξοικειωθεί με αυτές τις οδηγίες, να

χρησιμοποιήσουν τη συσκευή. Οι τοπικοί κανονισμοί μπορεί να θέτουν περιορισμούς για την ηλικία του χειριστή.

- Αν το προϊόν χρησιμοποιείται από ένα άτομο με μειωμένη σωματική ή διανοητική ικανότητα, θα πρέπει πάντα να το επιβλέπετε. Πρέπει να είναι παρών ένας υπεύθυνος ενήλικας ανά πάσα στιγμή.
- Μην χρησιμοποιείτε το προϊόν, αν είστε κουρασμένοι, άρρωστοι ή υπό την επήρεια αλκοόλ, ναρκωτικών ή φαρμάκων. Αυτά έχουν αρνητικές συνέπειες στην όραση, την αυτοσυγκέντρωση, τον συντονισμό και την κρίση σας.
- Μην χρησιμοποιείτε το προϊόν εάν έχει υποστεί ζημιά ή εάν δεν λειτουργεί σωστά.
- Μην τροποποιείτε το προϊόν και μην το χρησιμοποιείτε αν είναι εμφανές ότι έχει τροποποιηθεί από άλλους.

## Ασφάλεια στην εργασία



**ΠΡΟΕΙΔΟΠΟΙΗΣΗ:** Προτού χρησιμοποιήσετε το προϊόν, διαβάστε τις παρακάτω προειδοποιητικές οδηγίες.

- Χρησιμοποιήστε το προϊόν για να τοποθετήσετε καλώδιο οριοθέτησης και καλώδιο οδήγησης για τα ρομποτικά χλοοκοπτικά στο έδαφος. Μην χρησιμοποιείτε το προϊόν για άλλες εργασίες.
- Πρέπει να χρησιμοποιείτε προσωπικό εξοπλισμό προστασίας. Ανατρέξτε στην ενότητα *Προσωπικός εξοπλισμός προστασίας πώς σελίδα 98*.
- Βεβαιωθείτε ότι γνωρίζετε πώς να σταματήσετε τον κινητήρα γρήγορα σε περίπτωση έκτακτης ανάγκης.
- Μην χρησιμοποιείτε το προϊόν σε συνθήκες βροχής ή υγρασίας. Αν εισέλθει νερό στο προϊόν, αυξάνεται ο κίνδυνος ηλεκτροπληξίας.
- Μην χρησιμοποιείτε το προϊόν αν δεν είναι σωστά συνδεδεμένο το τρυπάνι και όλα τα καλύμματα. Αν το τρυπάνι δεν είναι σωστά συνδεδεμένο, μπορεί να χαλαρώσει και να προκληθεί τραυματισμός.
- Αφαιρέστε αντικείμενα όπως κλαδιά, κλωνάρια και πέτρες από την περιοχή εργασίας πριν χρησιμοποιήσετε το προϊόν.
- Τα αντικείμενα που χτυπούν πάνω στον εξοπλισμό διάτρησης καλωδίου μπορεί να εκπιναχθούν και να προκαλέσουν τραυματισμό ή ζημιά. Να διατηρείτε τους παρευρισκόμενους και τα ζώα σε απόσταση ασφαλείας από το προϊόν.
- Μην χρησιμοποιείτε ποτέ το προϊόν σε κακές καιρικές συνθήκες, όπως ομίχλη, βροχή, ισχυρό άνεμο, έντονο κρύο και κίνδυνο κεραυνού. Η χρήση του προϊόντος σε κακές καιρικές συνθήκες, σε συνθήκες υγρασίας ή σε υγρές τοποθεσίες είναι εξαιρετικά κούραστική. Οι κακές καιρικές συνθήκες μπορεί να προκαλέσουν επικίνδυνες καταστάσεις, όπως ολισθηρές επιφάνειες.
- Να προσέχετε για πρόσωπα, αντικείμενα και καταστάσεις που μπορεί να αποτρέψουν την ασφαλή λειτουργία του προϊόντος.

- Να προσέχετε για εμπόδια, όπως ρίζες, πέτρες, κλωνάρια, λακούβες και χαντάκια. Το μακρύ γρασίδι μπορεί να κρύβει εμπόδια.
- Μην χρησιμοποιείτε το προϊόν σε πλαγιές με κλίση πάνω από 15°.
- Απαιτείται ιδιαίτερη προσοχή κατά την αλλαγή κατευθύνσης σε πλαγιές. Να κατευθύνετε το προϊόν κατά πλάτους στις επιφάνειες με κλίση. Να μην μετακινείστε προς τα πάνω και προς τα κάτω.
- Να είστε ιδιαίτερα προσεκτικοί κοντά σε κρυφές γωνίες και αντικείμενα που εμποδίζουν το οπτικό σας πεδίο.
- Να βεβαιώνετε ότι το τρυπάνι δεν χτυπά αντικείμενα, όπως πέτρες και ρίζες. Αυτό μπορεί να προκαλέσει ζημιά στο τρυπάνι και να λυγίσει τον άξονα του κινητήρα. Ένας λυγισμένος άξονας κινητήρα προκαλεί ισχυρούς κραδασμούς και πολύ υψηλό κίνδυνο χαλάρωσης του τρυπανιού.
- Σε περίπτωση πρόσκρουσης του τρυπανιού σε αντικείμενο ή αν διαπιστώσετε κραδασμούς, διακόψτε αμέσως τη λειτουργία του προϊόντος. Σβήστε το μοτέρ, τραβήξτε προς τα πάνω το κλειδί ασφαλείας και αφαιρέστε την μπαταρία. Περιμένετε μέχρι να σταματήσουν τα κινούμενα μέρη. Ελέγξτε το προϊόν για ζημιές. Σφίξτε τα χαλαρωμένα εξαρτήματα. Επισκευάστε τις ζημιές και αντικαταστήστε τα κατεστραμμένα εξαρτήματα. Η επισκευή θα πρέπει να γίνεται από εγκεκριμένο αντιπρόσωπο σέρβις.
- Μην στερεώνετε μόνιμα την ασφάλεια λειτουργίας διάτρησης στη λαβή, όταν έχει εκκινήσει ο κινητήρας.
- Τοποθετήστε το προϊόν σε μια σταθερή, επίπεδη επιφάνεια και εκκινήστε το.
- Να παραμένετε πάντα πίσω από το προϊόν κατά τη λειτουργία.
- Κατά τη λειτουργία του προϊόντος, θα πρέπει όλοι οι τροχοί να ακουμπούν στο έδαφος και να διατηρείτε και τα 2 χέρια πάνω στη λαβή.
- Κρατήστε τα χέρια και τα πόδια σας μακριά από το περιστρεφόμενο τρυπάνι.
- Μην γέρνετε το προϊόν όταν εκκινείτε τον κινητήρα ή όταν το προϊόν λειτουργεί.
- Να είστε προσεκτικοί όταν τραβάτε το προϊόν προς τα πίσω.
- Μην ανασηκώνετε το προϊόν, όταν έχει εκκινήσει ο κινητήρας. Αν πρέπει να ανασηκώσετε το προϊόν, σβήστε πρώτα το μοτέρ, τραβήξτε προς τα πάνω το κλειδί ασφαλείας και αφαιρέστε την μπαταρία.
- Μην περπατάτε προς τα πίσω όταν χρησιμοποιείτε το προϊόν.
- Απελευθερώστε την ασφάλεια λειτουργίας τρυπανιού για να σταματήσετε το τρυπάνι, όταν πρέπει να γείρετε το προϊόν για μεταφορά.
- Μην τρέχετε με το προϊόν όταν έχει εκκινήσει ο κινητήρας. Να περπατάτε πάντα προς τα εμπρός όταν χρησιμοποιείτε το προϊόν.
- Σβήστε τον κινητήρα προτού αλλάξετε το βάθος διάστρωσης καλωδίου. Μην προβαίνετε σε ρυθμίσεις ενώ έχει εκκινήσει ο κινητήρας.

- Μην αφήνετε το προϊόν εκτός του οπτικού πεδίου σας με τον κινητήρα σε λειτουργία. Σβήστε τον κινητήρα και βεβαιωθείτε ότι το τρυπάνι δεν περιστρέφεται.
- Οι δονήσεις στο προϊόν στη διάρκεια της λειτουργίας μπορεί να διαφέρουν από την αναγραφόμενη τιμή δόνησης στο *Τεχνικά στοιχεία στη σελίδα 109*. Η διαφορά οφείλεται σε διακυμάνσεις στον τρόπο χρήσης του προϊόντος. Εάν χρησιμοποιείτε το προϊόν συχνά ή για μεγάλα χρονικά διαστήματα, πρέπει να κάνετε τακτικά διαλείμματα για να αποφύγετε τραυματισμούς από δονήσεις.

## Οδηγίες ασφαλείας για τη λειτουργία

Προτού χρησιμοποιήσετε το προϊόν, διαβάστε τις παρακάτω οδηγίες.

- Βεβαιωθείτε ότι το καλώδιο στον οδηγό καλωδίου είναι άθικτο.
- Βεβαιωθείτε ότι ο σωλήνας στο πτερύγιο τροφοδοσίας είναι άθικτος. Αντικαταστήστε το σωλήνα, αν έχει φθαρεί ή καταστραφεί.

(Εικ. 16)

- Βεβαιωθείτε ότι τα άκρα γύρω από την οπή δεν είναι αιχμηρά και δεν έχουν καταστραφεί. Αντικαταστήστε το καλώδιο οδήγησης, εάν έχει υποστεί ζημιά.
- Βεβαιωθείτε ότι όλες οι βίδες είναι σφιγμένες.
- Βεβαιωθείτε ότι όλοι οι μοχλοί είναι στη νεκρά.

## Προσωπικός εξοπλισμός προστασίας



**ΠΡΟΕΙΔΟΠΟΙΗΣΗ:** Προτού χρησιμοποιήσετε το προϊόν, διαβάστε τις παρακάτω προειδοποιητικές οδηγίες.

- Ο προσωπικός εξοπλισμός προστασίας δεν μπορεί να εξαλείψει τον κίνδυνο τραυματισμών, ωστόσο μειώνει τη σοβαρότητά τους σε περίπτωση ατυχήματος. Ο αντιπρόσωπος θα σας βοηθήσει να επιλέξετε το σωστό εξοπλισμό.
- Να χρησιμοποιείτε αντιολισθητικές μπότες ή παπούτσια βαρέος τύπου. Να μην χρησιμοποιείτε το προϊόν με ανοιχτά παπούτσια ή ζυπόλυτοι.
- Χρησιμοποιήστε χοντρά, μακριά παντελόνια.
- Όταν χρειάζεται, να χρησιμοποιείτε προστατευτικά γάντια, για παράδειγμα κατά την τοποθέτηση, την επθεώρηση ή τον καθαρισμό του εξοπλισμού διάστρωσης καλωδίου.
- Συνιστάται η χρήση προστατευτικών ακοής.

## Συσκευές ασφαλείας στο προϊόν



**ΠΡΟΕΙΔΟΠΟΙΗΣΗ:** Προτού χρησιμοποιήσετε το προϊόν, διαβάστε τις παρακάτω προειδοποιητικές οδηγίες.

- Μην χρησιμοποιείτε το προϊόν με συσκευές ασφαλείας που έχουν υποστεί ζημιά ή δεν λειτουργούν σωστά.

- Μην αφαιρείτε και μην τροποποιείτε τις διατάξεις ασφαλείας.
- Πρέπει να κάνετε τακτικά έλεγχο των συσκευών ασφαλείας. Εάν οι συσκευές ασφαλείας έχουν υποστεί ζημιά ή δεν λειτουργούν σωστά, απευθυνθείτε στον αντιπρόσωπο σέρβις της Husqvarna.

## Κλειδί ασφαλείας

Το κλειδί ασφαλείας βρίσκεται κάτω από το καπάκι της μπαταρίας. Το κλειδί ασφαλείας συνδέει την μπαταρία που τροφοδοτεί με ρεύμα τον κινητήρα.

## Έλεγχος του κλειδιού ασφαλείας

Το κλειδί ασφαλείας συνδέει την μπαταρία που τροφοδοτεί με ρεύμα τον κινητήρα.

- Θέστε σε λειτουργία και κατόπιν σβήστε το μοτέρ. Αν το κλειδί ασφαλείας λειτουργεί σωστά, το μοτέρ θα μπορεί να τεθεί σε λειτουργία μόνο όταν το κλειδί βρίσκεται στην κλειδαριά ασφαλείας.

## Ασφάλεια λειτουργίας διάρτησης

Η ασφάλεια λειτουργίας διάρτησης διακόπτει το τρυπάνι. Όταν η ασφάλεια λειτουργίας διάρτησης απελευθερώνεται, το τρυπάνι σταματά.

Για να ελέγξετε την ασφάλεια λειτουργίας διάρτησης, εκκινήστε τον κινητήρα και, στη συνέχεια, απελευθερώστε την ασφάλεια λειτουργίας διάρτησης. Εάν το τρυπάνι δεν σταματήσει σε 3 δευτερόλεπτα, απευθυνθείτε σε έναν εγκεκριμένο αντιπρόσωπο σέρβις της Husqvarna.

(Εικ. 17)

## Ασφάλεια μπαταρίας



**ΠΡΟΕΙΔΟΠΟΙΗΣΗ:** Προτού χρησιμοποιήσετε το προϊόν, διαβάστε τις παρακάτω προειδοποιητικές οδηγίες.

- Χρησιμοποιείτε επαναφορτιζόμενες μπαταρίες της Husqvarna ως πηγή ηλεκτρικής ισχύος μόνο για τα σχετικά προϊόντα της Husqvarna. Για την αποφυγή τραυματισμών, μην χρησιμοποιείτε την μπαταρία ως πηγή ηλεκτρικής ισχύος για άλλες συσκευές.
- Μην χρησιμοποιείτε μη επαναφορτιζόμενες μπαταρίες.
- Κίνδυνος ηλεκτροπληξίας. Μην συνδέετε τους ακροδέκτες της μπαταρίας σε κλειδιά, νομίσματα, βίδες ή άλλα μεταλλικά αντικείμενα. Αυτό μπορεί να προκαλέσει βραχυκύκλωμα της μπαταρίας.
- Μην τοποθετείτε αντικείμενα μέσα στις εγχοπές αερισμού της μπαταρίας.
- Διατηρείτε την μπαταρία μακριά από την ηλιακή ακτινοβολία, τη θερμότητα ή τις γυμνές φλόγες. Η μπαταρία μπορεί να εκραγεί και να προκαλέσει εγκαύματα ή/και χημικά εγκαύματα.
- Διατηρείτε την μπαταρία μακριά από συνθήκες βροχής και υγρασίας.

- Διατηρείτε την μπαταρία μακριά από πηγές μικροκυμάτων και υψηλής πίεσης.
- Μην προσπαθήσετε να αποσυναρμολογήσετε ή να διαλύσετε την μπαταρία.
- Αν η μπαταρία εμφανίσει διαρροή, φροντίστε το υγρό να μην έρθει σε επαφή με το δέρμα ή τα μάτια σας. Αν έρθετε σε επαφή με το υγρό, καθαρίστε την περιοχή με μεγάλη ποσότητα νερού και ζητήστε ιατρική βοήθεια.
- Χρησιμοποιείτε την μπαταρία του προϊόντος μόνο όταν η θερμοκρασία περιβάλλοντος είναι μεταξύ 5 °C και 40 °C.
- Χρησιμοποιείτε τον φορτιστή μπαταρίας μόνο όταν η θερμοκρασία περιβάλλοντος είναι μεταξύ 5 °C και 40 °C.
- Η μπαταρία δεν θα φορτίσει εάν η θερμοκρασία της μπαταρίας είναι πάνω από 50 °C.
- Μην καθαρίζετε την μπαταρία ή τον φορτιστή μπαταρίας με νερό. Ανατρέξτε στην ενότητα *Καθαρισμός της μπαταρίας και του φορτιστή μπαταρίας στη σελίδα 106*.
- Μην χρησιμοποιείτε κατεστραμμένες μπαταρίες.
- Φυλάσσετε τις μπαταρίες μακριά από μεταλλικά αντικείμενα, όπως καρφιά, νομίσματα και κοσμήματα.

## Ασφάλεια φορτιστή μπαταρίας



**ΠΡΟΕΙΔΟΠΟΙΗΣΗ:** Προτού χρησιμοποιήσετε το προϊόν, διαβάστε τις παρακάτω προειδοποιητικές οδηγίες.

- Χρησιμοποιείτε τους φορτιστές μπαταρίας QC για να φορτίζετε μόνο τις ανταλλακτικές μπαταρίες της Husqvarna.
- Κίνδυνος ηλεκτροπληξίας ή βραχυκυκλώματος. Μην τοποθετείτε αντικείμενα μέσα στις εγχοπές αερισμού του φορτιστή. Μην επιχειρείτε να αποσυναρμολογήσετε τον φορτιστή μπαταρίας. Μην συνδέετε ποτέ τους ακροδέκτες του φορτιστή σε μεταλλικά αντικείμενα. Χρησιμοποιήστε μια εγκεκριμένη πρίζα.
- Αυτό το προϊόν παράγει ηλεκτρομαγνητικό πεδίο κατά τη λειτουργία του. Το πεδίο αυτό, υπό ορισμένες συνθήκες, μπορεί να προκαλέσει παρεμβολές σε ενεργά ή παθητικά ιατρικά εμφυτεύματα. Προκειμένου να μειωθεί ο κίνδυνος παθήσεων που μπορεί να προκαλέσουν τραυματισμό ή θάνατο, συνιστούμε στα άτομα με ιατρικά εμφυτεύματα να συμβουλευτούν το θεράποντα ιατρό τους και τον κατασκευαστή του ιατρικού εμφυτεύματος, πριν να θέσουν το προϊόν σε λειτουργία.
- Να βεβαιώνετε τακτικά ότι το καλώδιο ρεύματος του φορτιστή της μπαταρίας δεν έχει υποστεί ζημιά και ότι δεν παρουσιάζει ρωγμές.
- Μην σηκώνετε τον φορτιστή μπαταρίας από το καλώδιο ρεύματος. Για να αποσυνδέσετε τον φορτιστή της μπαταρίας από την πρίζα, τραβήξτε το βύσμα. Μην τραβάτε το καλώδιο.

- Διατηρείτε το καλώδιο ρεύματος και το καλώδιο επέκτασης μακριά από νερό, λάδι και αιχμηρές γωνίες. Βεβαιωθείτε ότι το καλώδιο δεν έχει μαγκώσει σε πόρτες, φράκτες ή παρόμοια σημεία. Μπορεί να προκληθεί κίνδυνος τροφοδοσίας ρεύματος στο φορτιστή.
- Μην καθαρίζετε τον φορτιστή μπαταρίας με νερό.
- Ο φορτιστής της μπαταρίας μπορεί να χρησιμοποιηθεί από παιδιά ηλικίας από 8 ετών και άνω και από άτομα με περιορισμένες σωματικές, αισθητήριες ή διανοητικές ικανότητες ή από άτομα χωρίς εμπειρία και γνώση, εφόσον τον χρησιμοποιούν υπό επίτηρηση ή έχουν λάβει οδηγίες σχετικά με την ασφαλή χρήση του και κατανοούν τους κινδύνους που ενέχονται. Τα παιδιά δεν πρέπει να παίζουν με το φορτιστή της μπαταρίας. Τα παιδιά δεν πρέπει να εκτελούν εργασίες καθαρισμού και συντήρησης χωρίς επίβλεψη.
- Μην φορτίζετε μη επαναφορτιζόμενες μπαταρίες με το φορτιστή της μπαταρίας.
- Μην χρησιμοποιείτε τον φορτιστή μπαταρίας κοντά σε εύφλεκτα υλικά ή υλικά που μπορούν να προκαλέσουν διάβρωση. Μην καλύπτετε το φορτιστή μπαταρίας. Σε περίπτωση έκλυσης καπνού ή τυρκανιάς, βγάλτε τον φορτιστή μπαταρίας από την πρίζα.
- Μην χρησιμοποιείτε έναν κατεστραμμένο φορτιστή μπαταρίας.
- Φορτίζετε την μπαταρία μόνο σε εσωτερικό και καλά αεριζόμενο χώρο μακριά από την ηλιακή ακτινοβολία. Μην φορτίζετε την μπαταρία σε συνθήκες υγρασίας.
- Προτού εκτελέσετε εργασίες συντήρησης στο προϊόν, αφαιρέστε το κλειδί ασφαλείας.
- Να εκτελείτε σωστά τις εργασίες συντήρησης για να αυξήσετε τη διάρκεια ζωής του προϊόντος και να μειώσετε τον κίνδυνο ατυχημάτων. Να αναθέτετε τις επαγγελματικές επισκευές σε έναν εγκεκριμένο αντιπρόσωπο σέρβις. Επικοινωνήστε με τον πλησιέστερο αντιπρόσωπο σέρβις για περισσότερες πληροφορίες.
- Να πραγματοποιείτε μόνο τις εργασίες συντήρησης που περιλαμβάνονται στο παρόν εγχειρίδιο χρήσης.
- Χρησιμοποιείτε ανθεκτικά γάντια, όταν αγγίζετε τον εξοπλισμό διάσπασης καλωδίου.
- Διατηρείτε το προϊόν καθαρό για καλύτερη απόδοση και μεγαλύτερη ασφάλεια.
- Να αναθέτετε στον αντιπρόσωπο σέρβις να ελέγχει συχνά το προϊόν και να κάνει τις απαραίτητες ρυθμίσεις και επισκευές.
- Φροντίστε να αντικαθιστάτε τυχόν κατεστραμμένα, φθαρμένα ή σπασμένα εξαρτήματα.
- Τηρείτε τις οδηγίες για την αλλαγή των αξεσουάρ. Χρησιμοποιήστε μόνο αξεσουάρ του κατασκευαστή.
- Αποθηκεύετε το προϊόν, την μπαταρία και τον φορτιστή μπαταρίας ξεχωριστά σε κλειδωμένο εσωτερικό χώρο χωρίς υγρασία, όταν δεν τα χρησιμοποιείτε. Βεβαιωθείτε ότι τα παιδιά και τα μη εξουσιοδοτημένα άτομα δεν έχουν πρόσβαση στο προϊόν, την μπαταρία ή τον φορτιστή μπαταρίας.

## Οδηγίες ασφαλείας για τη συντήρηση



**ΠΡΟΕΙΔΟΠΟΙΗΣΗ:** Προτού χρησιμοποιήσετε το προϊόν, διαβάστε τις παρακάτω προειδοποιητικές οδηγίες.

## Συναρμολόγηση

### Εισαγωγή



**ΠΡΟΕΙΔΟΠΟΙΗΣΗ:** Προτού συναρμολογήσετε το προϊόν, διαβάστε και κατανοήστε το κεφάλαιο για την ασφάλεια.

### Τοποθέτηση του τρυπανιού

1. Τοποθετήστε το τρυπάνι (A) στην κεφαλή διάτρησης (B) και τοποθετήστε τη μακριά βίδα (C). (Εικ. 18)

**Περιεχόμενα** Απαιτείται εξαγωνικό κλειδί 6 mm για την τοποθέτηση του τρυπανιού.

2. Τοποθετήστε την κεφαλή διάτρησης στον άξονα (D) με την κοντή βίδα (E).
3. Σφίξτε τις βίδες.

### Τοποθέτηση του καλωδίου

Το προϊόν διαθέτει μηχανισμό περιτύλιξης καλωδίου με συμπλέκτη, ο οποίος μπορεί να αφαιρεθεί.

1. Τοποθετήστε το καλώδιο στον μηχανισμό περιτύλιξης καλωδίου. Χρησιμοποιήστε το κουμπί για να περιστρέψετε τον μηχανισμό περιτύλιξης καλωδίου δεξιόστροφα.

**Περιεχόμενα** Το καλώδιο πρέπει να τοποθετηθεί δεξιόστροφα στον μηχανισμό περιτύλιξης καλωδίου, ώστε να ξετυλίγεται ομαλά κατά τη διάρκεια της λειτουργίας. (Εικ. 19)

2. Σπρώξτε το καλώδιο μέσα στον σωλήνα στο πτερόγιο τροφοδοσίας (A) μέχρι το καλώδιο να βγει από το κάτω μέρος (B) περίπου 5 cm. (Εικ. 20)

## Τοποθέτηση και αφαίρεση του μηχανισμού περιτύλιξης καλωδίου

1. Χαλαρώστε τη χειρόβιδα (Α). (Εικ. 21)
2. Αφαιρέστε το εξάρτημα συγκράτησης (Β).
3. Αφαιρέστε τον μηχανισμό περιτύλιξης καλωδίου (C).

4. Τοποθετήστε τον μηχανισμό περιτύλιξης καλωδίου (D). Εάν χρειάζεται, χρησιμοποιήστε τον προσαρμογέα. (Εικ. 22)
5. Τοποθετήστε το εξάρτημα συγκράτησης (Ε) και αφίξτε τη χειρόβιδα (F).

## Λειτουργία

### Εισαγωγή



**ΠΡΟΕΙΔΟΠΟΙΗΣΗ:** Πρωτού χρησιμοποιήσετε το προϊόν, πρέπει να διαβάσετε και να κατανοήσετε το κεφάλαιο για την ασφάλεια.

### Husqvarna Fleet Services™

Η εφαρμογή Husqvarna Fleet Services™ είναι μια λύση cloud που παρέχει στο χειριστή μια επισκόπηση όλων των συνδεδεμένων προϊόντων. Σε αυτό το προϊόν μπορεί να εγκατασταθεί ένας αισθητήρας Husqvarna Fleet Services™. Ο αισθητήρας Husqvarna Fleet Services™ συλλέγει δεδομένα για το προϊόν και σας επιτρέπει να συνδεθείτε στο σύστημα Husqvarna Fleet Services™. Το σύστημα Husqvarna Fleet Services™ αναφέρει δεδομένα όπως ο χρόνος λειτουργίας, τα διαστήματα συντήρησης και η θέση του προϊόντος.

Για περισσότερες πληροφορίες σχετικά με την εφαρμογή Husqvarna Fleet Services™, κατεβάστε την εφαρμογή Husqvarna Fleet Services™ ή επικοινωνήστε με τον αντιπρόσωπο της Husqvarna.

### Προετοιμασία του αισθητήρα (παρελκόμενο)

1. Χρησιμοποιήστε το κλειδί αισθητήρα για να ανοίξετε το καπάκι του αισθητήρα. (Εικ. 23)
2. Αφαιρέστε τον αισθητήρα.
3. Συνδέστε την μπαταρία στον αισθητήρα. Η λυχνία LED του αισθητήρα ανάβει. (Εικ. 24)
4. Κατεβάστε την εφαρμογή Husqvarna Fleet Services™.
5. Συνδεθείτε στην εφαρμογή Husqvarna Fleet Services™.
6. Εκτελέστε τη διαδικασία σύζευξης. Ανατρέξτε στην ενότητα *Εκτέλεση διαδικασίας σύζευξης μεταξύ της εφαρμογής και του προϊόντος στη σελίδα 101*

### Εκτέλεση διαδικασίας σύζευξης μεταξύ της εφαρμογής και του προϊόντος

1. Συνδεθείτε στην εφαρμογή Husqvarna Fleet Services™.
2. Επιλέξτε το προϊόν σας στην εφαρμογή.
3. Σαρώστε τον κωδικό πίσω από τον αισθητήρα με την κινητή σας συσκευή, για να εγκαταστήσετε τον αισθητήρα στην εφαρμογή.

**Περιεχόμενα** Η διαδικασία σύζευξης μεταξύ της εφαρμογής και του προϊόντος θα πρέπει να γίνει μόνο μία φορά.

### Εγκατάσταση του αισθητήρα

1. Βεβαιωθείτε ότι ο αισθητήρας είναι συνδεδεμένος στην εφαρμογή Husqvarna Fleet Services™. Ανατρέξτε στην ενότητα *Εκτέλεση διαδικασίας σύζευξης μεταξύ της εφαρμογής και του προϊόντος στη σελίδα 101*.
2. Ανοίξτε 2 οπές σύμφωνα με τα σημάδια στην εσοχή του περιβλήματος. (Εικ. 25)

**Περιεχόμενα** Βεβαιωθείτε ότι οι οπές έχουν την ίδια διάσταση με τα πριτσίνια που παρέχονται με τον αισθητήρα.

3. Χρησιμοποιήστε μια πένσα για να αφαιρέσετε τις εξωτερικές οπές στην εσοχή του αισθητήρα. (Εικ. 26)
4. Ανοίξτε 2 οπές σύμφωνα με τα σημάδια στην εσοχή του αισθητήρα. (Εικ. 27)
5. Ευθυγραμμίστε την εσοχή του αισθητήρα με την εσοχή του περιβλήματος. (Εικ. 28)
6. Στερεώστε την εσοχή του αισθητήρα με τα πριτσίνια.
7. Τοποθετήστε τον αισθητήρα στη σχετική εσοχή. Ευθυγραμμίστε το λευκό σημάδι του αισθητήρα με το σημάδι επάνω στην εσοχή του αισθητήρα. (Εικ. 29)
8. Κλείστε το καπάκι του αισθητήρα και κλειδώστε το με το κλειδί αισθητήρα. Βεβαιωθείτε ότι το επάνω μέρος του γράμματος "H" από τη λέξη Husqvarna είναι στραμμένο προς την αντίθετη κατεύθυνση από το κλειδί ασφαλείας. (Εικ. 30)

### Μπαταρία



**ΠΡΟΕΙΔΟΠΟΙΗΣΗ:** Πρωτού χρησιμοποιήσετε την μπαταρία, πρέπει να διαβάσετε και να κατανοήσετε το κεφάλαιο σχετικά με την ασφάλεια. Πρέπει επίσης να διαβάσετε και να κατανοήσετε το εγχειρίδιο χρήσης για την μπαταρία και τον φορτιστή της μπαταρίας.

Διατηρείτε την μπαταρία και τον φορτιστή μπαταρίας στις σωστές θερμοκρασίες περιβάλλοντος.

	Θερμοκρασία περιβάλλοντος
Λειτουργία της μπαταρίας	5 °C - 40 °C
Φόρτιση μπαταρίας	5 °C - 40 °C

## Κατάσταση μπαταρίας

Στην οθόνη εμφανίζονται η εναπομένουσα χωρητικότητα της μπαταρίας και τυχόν προβλήματα της μπαταρίας. Η χωρητικότητα της μπαταρίας εμφανίζεται για 5 δευτερόλεπτα μετά την απενεργοποίηση του προϊόντος ή το πάτημα του κουμπιού της ένδειξης μπαταρίας. Το προειδοποιητικό σύμβολο στην μπαταρία ανάβει όταν παρουσιαστεί σφάλμα. Ανατρέξτε στην ενότητα *Μπαταρία στη σελίδα 107*.

(Εικ. 31)

Ενδεικτικές λυχνίες LED	Κατάσταση μπαταρίας
Όλες οι ενδεικτικές λυχνίες LED είναι αναμμένες	Πλήρως φορτισμένη (75-100%)
Οι ενδεικτικές λυχνίες LED 1, LED 2, LED 3 είναι αναμμένες	Η μπαταρία είναι φορτισμένη κατά 50%-75%
Οι ενδεικτικές λυχνίες LED 1, LED 2 είναι αναμμένες	Η μπαταρία είναι φορτισμένη κατά 25%-50%
Η ενδεικτική λυχνία LED 1 είναι αναμμένη	Η μπαταρία είναι φορτισμένη κατά 0%-25%.
Η ενδεικτική λυχνία LED 1 αναβοσβήνει	Η μπαταρία είναι άδεια. Φορτίστε την μπαταρία.

## Φόρτιση της μπαταρίας

Φορτίστε την μπαταρία πριν από την πρώτη χρήση. Η μπαταρία είναι φορτισμένη μόνο κατά 30% όταν παρέχεται στον πελάτη.

**Περιεχόμενα** Ο φορτιστής της μπαταρίας πρέπει να συνδέεται σε παροχή με τάση και συχνότητα ίδια με αυτή που ορίζεται στην πινακίδα στοιχείων.

Η φόρτιση της μπαταρίας δεν είναι δυνατή αν η θερμοκρασία της μπαταρίας είναι μεγαλύτερη από 50 °C. Ο φορτιστής της μπαταρίας μειώνει τη θερμοκρασία πριν ξεκινήσει η φόρτιση.

1. Συνδέστε το ένα άκρο του καλωδίου ρεύματος του φορτιστή μπαταρίας στην υποδοχή του φορτιστή μπαταρίας.
2. Συνδέστε το άλλο άκρο του καλωδίου ρεύματος του φορτιστή μπαταρίας σε μια γειωμένη πρίζα. Η ενδεικτική λυχνία LED στον φορτιστή της μπαταρίας θα αναβοσβήσει με πράσινο χρώμα μία φορά. (Εικ. 32)

3. Τοποθετήστε την μπαταρία στο φορτιστή μπαταρίας. Όταν η μπαταρία συνδεθεί σωστά στον φορτιστή, ανάβει η πράσινη λυχνία στον φορτιστή. (Εικ. 33)
4. Η μπαταρία είναι πλήρως φορτισμένη, όταν ανάψουν όλες οι λυχνίες LED στην μπαταρία. Ο μέγιστος χρόνος φόρτισης της μπαταρίας δεν θα πρέπει να υπερβαίνει τις 24 ώρες.
5. Για να αποσυνδέσετε τον φορτιστή της μπαταρίας από την πρίζα, τραβήξτε το φικ και όχι το καλώδιο.
6. Αφαιρέστε την μπαταρία από το φορτιστή.

## Κατάσταση φόρτισης της μπαταρίας

Μια μπαταρία ιόντων λιθίου της Husqvarna μπορεί να φορτιστεί ή να χρησιμοποιηθεί σε όλα τα επίπεδα φόρτισης. Δεν προκαλείται ζημιά στην μπαταρία. Μια πλήρως φορτισμένη μπαταρία δεν θα χάσει το φορτίο της όταν παραμείνει στον φορτιστή.

Οθόνη LED	Κατάσταση φόρτισης
Η ενδεικτική λυχνία LED 1 αναβοσβήνει	0%-25%
Η ενδεικτική λυχνία LED 1 είναι αναμμένη, η ενδεικτική λυχνία LED 2 αναβοσβήνει	25%-50%
Οι ενδεικτικές λυχνίες LED 1, LED 2 είναι αναμμένες, η ενδεικτική λυχνία LED 3 αναβοσβήνει	50%-75%
Οι ενδεικτικές λυχνίες LED 1, LED 2, LED 3 είναι αναμμένες, η ενδεικτική λυχνία LED 4 αναβοσβήνει	75%-100%
Οι λυχνίες LED 1, LED 2, LED 3, LED 4 είναι αναμμένες	Πλήρως φορτισμένη

## Ενέργειες πριν από τη χρήση του προϊόντος

1. Ποτίστε το έδαφος την ημέρα πριν από την εργασία, τους καλοκαιρινούς μήνες ή όταν το χώμα είναι ξερό.
2. Βεβαιωθείτε ότι άνθρωποι και ζώα βρίσκονται σε απόσταση τουλάχιστον 20 μέτρων από το προϊόν.
3. Τοποθετήστε το καλώδιο στον μηχανισμό περιτύλιξης καλωδίου. Ανατρέξτε στην ενότητα *Τοποθέτηση του καλωδίου στη σελίδα 100*.
4. Ρυθμίστε το βάθος διάστρωσης του καλωδίου. Ανατρέξτε στην ενότητα *Ρύθμιση του βάθους διάστρωσης καλωδίου στη σελίδα 103*.
5. Συνδέστε το άκρο του καλωδίου σε έναν πάσσαλο.

## Εκκίνηση του προϊόντος

1. Γείρετε τη λαβή προς το πλάι. Ανατρέξτε στην ενότητα *Κλίση της λαβής στη σελίδα 103*.
2. Ανοίξτε το καπάκι της μπαταρίας.
3. Τοποθετήστε μια φορτισμένη μπαταρία μέσα στην υποδοχή μπαταρίας 1 κάτω από το καπάκι της μπαταρίας. Για μεγαλύτερη διάρκεια λειτουργίας, τοποθετήστε μια δεύτερη φορτισμένη μπαταρία στην υποδοχή μπαταρίας 2.
4. Αποσυνδέστε το κλειδί ασφαλείας από τη θήκη του κλειδιού ασφαλείας.
5. Πιέστε το κλειδί ασφαλείας μέσα στην κλειδαριά ασφαλείας. (Εικ. 34)
6. Παραμείνετε πίσω από το προϊόν.
7. Πατήστε το κουμπί αναμονής (A) στον πίνακα ελέγχου. Ανάβει η ενδεικτική λυχνία αναμονής (B). (Εικ. 35)
8. Πατήστε το κουμπί έναρξης/διακοπής λειτουργίας (C) μέχρι να παραμείνει πατημένο. Ο κινητήρας εκκινεί.



**ΠΡΟΣΟΧΗ:** Μην χρησιμοποιείτε το προϊόν εάν η προειδοποιητική λυχνία (D) αναβοσβήνει με κόκκινο χρώμα.

9. Για να θέσετε σε λειτουργία το τρυπάνι, σπρώξτε την ασφάλεια λειτουργίας διατήρησης προς την κατεύθυνση της λαβής. (Εικ. 36)

## Χρήση της κίνησης στους τροχούς

- Για να ξεκινήσετε τη μετάδοση κίνηση στους τροχούς, τραβήξτε την ασφάλεια ελέγχου κίνησης (A) προς την κατεύθυνση της λαβής. (Εικ. 37)
- Απελευθερώστε την ασφάλεια ελέγχου κίνησης για να αποσυνμπλέξετε τη μετάδοση κίνησης στους τροχούς.

## Ρύθμιση του βάθους διάστρωσης καλωδίου

1. Χαλαρώστε τη χειρόβιδα (A). (Εικ. 38)
2. Ρυθμίστε τον τροχό στήριξης (B) στο απαιτούμενο βάθος διάστρωσης καλωδίου και σφίξτε τη χειρόβιδα.

**Περιεχόμενα** Οι αριθμοί (C) στην πλευρά του σωλήνα του τροχού στήριξης δείχνουν το βάθος διάστρωσης του καλωδίου σε cm. Το βάθος διάστρωσης του καλωδίου μπορεί να ρυθμιστεί μεταξύ 1–6 cm.

## Ρύθμιση του ύψους της χειρολαβής

Το ύψος της χειρολαβής μπορεί να ρυθμιστεί σε 5 επίπεδα.

1. Γυρίστε τη λαβή (A) αριστερόστροφα για να τη χαλαρώσετε και αφαιρέστε τη χειρόβιδα (B). (Εικ. 39)

2. Ρυθμίστε το ύψος της λαβής και τοποθετήστε τη χειρόβιδα στην οπή της πλησιέστερης θέσης.
3. Γυρίστε τη λαβή δεξιόστροφα για να την σφίξετε.

## Κλίση της λαβής

Μπορείτε να δώσετε κλίση στη λαβή για να μην σας χτυπήσουν αντικείμενα, όταν χρησιμοποιείτε το προϊόν. Η λαβή μπορεί να πάρει κλίση σε 4 θέσεις στη δεξιά πλευρά και 4 θέσεις στην αριστερή πλευρά.

1. Τραβήξτε μέχρι τέρμα την ασφάλεια κλίσης λαβής (A) προς την κατεύθυνση της λαβής και κρατήστε την. Η ασφάλεια κλίσης λαβής βρίσκεται στην κάτω αριστερή πλευρά της λαβής. (Εικ. 40)
2. Γείρετε τη λαβή σε 1 από τις 4 θέσεις προς τα αριστερά ή προς τα δεξιά και απελευθερώστε την ασφάλεια κλίσης της λαβής. Βεβαιωθείτε ότι ο πείρος που ασφαρίζει τη λαβή στη θέση της βρίσκεται σε 1 από τις υποδοχές. (Εικ. 41)

## Κλειδωμα της λειτουργίας περιστροφής του περυγίου τροφοδοσίας

Για να αυξήσετε την ακρίβεια κατεύθυνσης όταν τοποθετείτε το καλώδιο σε ευθύγραμμα τμήματα μεγάλου μήκους, μπορείτε να κλειδώσετε τη λειτουργία περιστροφής του περυγίου τροφοδοσίας.

- Βεβαιωθείτε ότι το περυγίο τροφοδοσίας βρίσκεται στην ίδια κατεύθυνση με το προϊόν και σφίξτε τη λαβή (A). (Εικ. 42)

## Ρύθμιση του καλωδίου οδήγησης

Το προϊόν είναι ρυθμισμένο για καλώδια 4 mm. Αν το καλώδιο έχει μεγαλύτερο διάμετρο, το καλώδιο οδήγησης πρέπει να ρυθμιστεί.

1. Χαλαρώστε τις 2 βίδες. (Εικ. 43)
2. Μετακινήστε το καλώδιο οδήγησης λίγα χιλιοστά προς τα πάνω.
3. Σφίξτε τις 2 βίδες.

## Ρύθμιση του πλάτους του μετατροχίου

Η θέση των τροχών μπορεί να ρυθμιστεί για διάφορα μετατρόχια. Υπάρχουν 4 οπές ρύθμισης στον άξονα στην αριστερή πλευρά και 4 οπές ρύθμισης στον άξονα στη δεξιά πλευρά. Το μετατρόχιο μπορεί να ρυθμιστεί στα 250, 270, 290 ή 310 mm από το κέντρο του τρυπανιού. (Εικ. 44)

1. Τραβήξτε προς τα έξω τον πείρο (A).
2. Ρυθμίστε τους τροχούς στο απαραίτητο μετατρόχιο.
3. Τοποθετήστε τον πείρο σε μία από τις 4 οπές (B) του άξονα.
4. Ασφαλίστε το ελατήριο ασφαλείας.

## Εκκίνηση της εργασίας

Μετά την εγκατάσταση του καλωδίου και του τρυπανιού, ο χειριστής πρέπει να στερεώσει το καλώδιο στο έδαφος.

1. Τοποθετήστε έναν πάσσαλο στο έδαφος.
2. Στερεώστε το τμήμα του καλωδίου που βγαίνει από το κάτω μέρος του καλωδίου οδήγησης στον πάσσαλο.

## Χρήση του οδηγού 2 καλωδίων

Αν το προϊόν βγει έξω από την εξωτερική περίμετρο της περιοχής εργασίας, είναι απαραίτητο να τοποθετήσετε 2 καλώδια ταυτόχρονα.

1. Περάστε ένα καλώδιο κατά μήκος ολόκληρης της περιμέτρου. Ανατρέξτε στις εικόνες (Α) και (Β). (Εικ. 45) (Εικ. 46)
2. Όταν βρίσκεστε στο σημείο που φαίνεται στην εικόνα (C), τοποθετήστε τον τροχό στήριξης στην υψηλότερη θέση για να αφαιρέσετε το περύγιο τροφοδοσίας από το έδαφος. Στερεώστε το καλώδιο με έναν πάσσαλο και συνεχίστε με το καλώδιο πάνω από το έδαφος μέχρι να φτάσετε στο επόμενο σημείο. (Εικ. 47)
3. Στερεώστε το καλώδιο με έναν πάσσαλο στο σημείο που φαίνεται στην εικόνα (D). (Εικ. 48)
4. Τοποθετήστε το περύγιο τροφοδοσίας στο σωστό βάθος διάστρωσης καλωδίων και συνεχίστε να τοποθετείτε το καλώδιο για να δημιουργήσετε τη νησίδα. Ανατρέξτε στην εικόνα (E). (Εικ. 49)
5. Όταν φτάσετε στο σημείο που υποδεικνύεται στην εικόνα (F), αφαιρέστε τον πάσσαλο και καθαρίστε το περύγιο τροφοδοσίας. Ανατρέξτε στην ενότητα *Καθαρισμός του περυγίου τροφοδοσίας στη σελίδα 105*. (Εικ. 50)

6. Συναρμολογήστε το καλώδιο πάνω από το έδαφος στο καλώδιο οδήγησης. (Εικ. 51)
7. Τοποθετήστε ταυτόχρονα τα δύο καλώδια μέχρι το σημείο που υποδεικνύεται στην εικόνα (G). Στερεώστε τα δύο καλώδια σε έναν πάσσαλο και αποσυνδέστε το δεύτερο καλώδιο από το καλώδιο οδήγησης. (Εικ. 52)
8. Συνεχίστε να τοποθετείτε το καλώδιο της περιμέτρου έως το σημείο που φαίνεται στην εικόνα (H). (Εικ. 53)

## Διακοπή λειτουργίας του προϊόντος

Το προϊόν σταματά να λειτουργεί, αν δεν το χρησιμοποιήσετε για 3 λεπτά.

1. Απελευθερώστε την ασφάλεια μετάδοσης κίνησης (Α) για να αποσυνπλέξετε τη μετάδοση κίνησης στους τροχούς. (Εικ. 37)
2. Απελευθερώστε την ασφάλεια λειτουργίας διάρτησης για να σταματήσετε τη λειτουργία του τρυπανιού. (Εικ. 17)
3. Πατήστε το κουμπί έναρξης/διακοπής λειτουργίας στον πίνακα ελέγχου.
4. Πατήστε το κουμπί αναμονής στον πίνακα ελέγχου.
5. Ανοίξτε το καπάκι της μπαταρίας.
6. Αφαιρέστε το κλειδί ασφαλείας από την κλειδαριά ασφαλείας και τοποθετήστε το στη θήκη του.
7. Καθαρίστε το περύγιο τροφοδοσίας με το ξέστρο. Ανατρέξτε στην ενότητα *Καθαρισμός του περυγίου τροφοδοσίας στη σελίδα 105*.
8. Καθαρίζετε και λιπαίνετε την κεφαλή διάρτησης έπειτα από κάθε εργασία. Ανατρέξτε στην ενότητα *Καθαρισμός και λίπανση της κεφαλής του τρυπανιού στη σελίδα 105*.

## Συντήρηση

### Εισαγωγή



**ΠΡΟΕΙΔΟΠΟΙΗΣΗ:** Προτού εκτελέσετε εργασίες συντήρησης, πρέπει να διαβάσετε και να κατανοήσετε το κεφάλαιο για την ασφάλεια.

Για όλες τις εργασίες συντήρησης και επισκευής στο προϊόν, είναι απαραίτητη ειδική εκπαίδευση. Μπορούμε να εγγυηθούμε για τη διαθεσιμότητα των επαγγελματικών επισκευών και τη συντήρηση.

Για λεπτομερέστερες πληροφορίες, ανατρέξτε στη σελίδα [www.husqvarna.com](http://www.husqvarna.com).

### Πρόγραμμα συντήρησης

Τα διαστήματα συντήρησης υπολογίζονται με βάση την καθημερινή χρήση του προϊόντος. Τα διαστήματα αλλάζουν αν το προϊόν δεν χρησιμοποιείται καθημερινά.

Για τις εργασίες συντήρησης που επισημαίνονται με αστερίσκο (\*), ανατρέξτε στην ενότητα *Συσκευές ασφαλείας στο προϊόν στη σελίδα 98*.

	Σε κάθε χρήση	Κάθε μήνα	Σε κάθε σεζόν
Πραγματοποιήστε γενική επιθεώρηση.	X		
Επιβεβαίωση της μη ελαττωματικής λειτουργίας των συσκευών ασφαλείας στο προϊόν*.	X		



	Σε κάθε χρήση	Κάθε μήνα	Σε κάθε σεζόν
Ελέγξτε το τρυπάνι και το πτερύγιο τροφοδοσίας.	X		
Ελέγξτε την ασφάλεια λειτουργίας διάτρησης *.	X		
Βεβαιωθείτε ότι το κουμπί έναρξης/διακοπής λειτουργίας λειτουργεί σωστά και ότι δεν είναι ελαττωματικό.	X		
Έλεγχος της μπαταρίας για ζημιά.	X		
Έλεγχος της φόρτισης της μπαταρίας.	X		
Έλεγχος της σωστής λειτουργίας των κουμπιών απασφάλισης της μπαταρίας και της ασφάλισης της μπαταρίας μέσα στο προϊόν.	X		
Καθαρίστε τα στόμια εισαγωγής αέρα στον κινητήρα. Βεβαιωθείτε ότι τα στόμια εισαγωγής αέρα δεν έχουν χόρτα ή χώματα.	X		
Λιπάνετε τα άβαφα εξαρτήματα.	X		
Λιπάνετε τα εξαρτήματα στα οποία έχει φθαρεί η επιψευδαργύρωση.	X		
Καθαρίστε και λιπάνετε την κεφαλή του τρυπανιού.	X		
Καθαρίστε το πτερύγιο τροφοδοσίας.	X		
Έλεγχος του φορτιστή μπαταρίας για τυχόν ζημιές και έλεγχος για σωστή λειτουργία.		X	
Έλεγχος των συνδέσεων μεταξύ της μπαταρίας και του προϊόντος. Επιπλέον, έλεγχος της σύνδεσης μεταξύ της μπαταρίας και του φορτιστή μπαταρίας.			X

## Καθαρισμός του πτερύγιου τροφοδοσίας

- Αφαιρέστε το χώμα και καθαρίστε το πτερύγιο τροφοδοσίας με το ξέστρο. (Εικ. 54)

## Αντικατάσταση του πτερύγιου τροφοδοσίας

- Γείρετε το προϊόν προς τα εμπρός και τοποθετήστε το αργά στο έδαφος.
- Αφαιρέστε τις 2 βίδες (A) και το πτερύγιο τροφοδοσίας (B). (Εικ. 55)
- Τοποθετήστε το καινούργιο πτερύγιο τροφοδοσίας με την αντίστροφη σειρά.

## Αντικατάσταση του τρυπανιού

- Αφαιρέστε το γρασίδι και τα χώματα από το προϊόν.



**ΠΡΟΣΟΧΗ:** Βεβαιωθείτε ότι δεν εισέρχονται χώματα ή άλλα ανεπιθύμητα υλικά στο τρυπάνι στη διάρκεια της τοποθέτησης.

**Περιεχόμενα** Καθαρίζετε και λιπαίνετε το περιβλήμα του τρυπανιού κάθε φορά μετά την εργασία.

- Αφαιρέστε την κοντή βίδα (A) και την κεφαλή διάτρησης (B) από τον άξονα (C). (Εικ. 56)

**Περιεχόμενα** Απαιτείται εξαγωνικό κλειδί 6 mm για την αντικατάσταση του τρυπανιού.

- Αφαιρέστε τη μακριά βίδα (D) και το τρυπάνι (E) από την κεφαλή διάτρησης.
- Τοποθετήστε καινούργιο τρυπάνι στην κεφαλή διάτρησης και τοποθετήστε τη μακριά βίδα.
- Τοποθετήστε την κεφαλή διάτρησης στον άξονα.
- Σφίξτε τις βίδες.

## Καθαρισμός και λίπανση της κεφαλής του τρυπανιού

Καθαρίζετε καλά την κεφαλή διάτρησης έπειτα από κάθε εργασία.

- Γείρετε το προϊόν προς τα εμπρός και τοποθετήστε το αργά στο έδαφος.
- Αφαιρέστε το γρασίδι, τα χώματα και τα ανεπιθύμητα υλικά με μια μαλακή βούρτσά.
- Χρησιμοποιήστε πεπιεσμένο αέρα για να αφαιρέσετε μικρότερα σωματίδια γρασιδιού και χωμάτων.
- Αφαιρέστε τις βίδες (A) από την κεφαλή διάτρησης (B) και αφαιρέστε το τρυπάνι (C). (Εικ. 56)

5. Χαλαρώστε τις 2 βίδες (D) και αφαιρέστε το πτερύγιο τροφοδοσίας (E). (Εικ. 57)
6. Αφαιρέστε τη βίδα (F) και αφαιρέστε την κεφαλή διάτρησης (G) από τον άξονα (H). (Εικ. 58)
7. Χρησιμοποιήστε πεπιεσμένο αέρα για να καθαρίσετε το προϊόν. Βεβαιωθείτε ότι έχουν αφαιρεθεί όλα τα χώματα, το γρασίδι και άλλα ανεπιθύμητα υλικά.
8. Εάν είναι απαραίτητο, αφαιρέστε το βρόμικο γράσο με κατάλληλο διαλύτη.
9. Καθαρίστε όλα τα εξαρτήματα με κατάλληλο διαλύτη και λιπάνετε τα.
10. Εφαρμόστε αδιάβροχο γράσο στον άξονα. (Εικ. 59)



**ΠΡΟΕΙΔΟΠΟΙΗΣΗ:** Μην χρησιμοποιείτε χημικές ουσίες για τον καθαρισμό της μπαταρίας.

- Βεβαιωθείτε ότι η μπαταρία και ο φορτιστής είναι καθαροί και στεγνοί προτού τοποθετήσετε την μπαταρία στον φορτιστή.
- Καθαρίστε τους πόλους της μπαταρίας με πεπιεσμένο αέρα ή χρησιμοποιήστε μαλακό και στεγνό πανί.
- Καθαρίστε τις επιφάνειες της μπαταρίας και του φορτιστή της μπαταρίας με μαλακό και στεγνό πανί.

## Καθαρισμός της μπαταρίας και του φορτιστή μπαταρίας



**ΠΡΟΕΙΔΟΠΟΙΗΣΗ:** Μην καθαρίζετε την μπαταρία ή τον φορτιστή μπαταρίας με νερό.

## Αντιμετώπιση προβλημάτων

### Αντιμετώπιση προβλημάτων

Εάν δεν μπορείτε να βρείτε λύση για το πρόβλημα που αντιμετωπίζετε σε αυτό το εγχειρίδιο, απευθυνθείτε στον αντιπρόσωπο σέρβις της Husqvarna.

Πρόβλημα	Αιτία
Ο κινητήρας δεν εκκινεί.	Η μπαταρία δεν είναι φορτισμένη.
	Η μπαταρία δεν έχει τοποθετηθεί σωστά.
	Η μπαταρία είναι ελαττωματική.
	Ο πίνακας ελέγχου είναι ελαττωματικός.
Το τρυπάνι δεν περιστρέφεται.	Ο ιμάντας είναι φθαρμένος.
	Ο ιμάντας έχει ολισθήσει έξω από τις τροχαλίες.
	Ο μοχλός δεν τεντώνει επαρκώς τον ιμάντα.
Το τρυπάνι εξακολουθεί να περιστρέφεται όταν απελευθερώνεται η ασφάλεια της λειτουργίας διάτρησης.	Το καλώδιο από την ασφάλεια λειτουργίας διάτρησης είναι φθαρμένο ή κατεστραμμένο.
Το προϊόν δεν λειτουργεί σωστά.	Το τρυπάνι είναι φθαρμένο ή έχει υποστεί ζημιά.
	Το τρυπάνι δεν έχει τοποθετηθεί σωστά.
Το προϊόν δεν κινείται όταν συμπλέκεται η ασφάλεια μετάδοσης κίνησης.	Το καλώδιο από την ασφάλεια μετάδοσης κίνησης έχει φθαρεί ή έχει υποστεί ζημιά.
	Οι ιμάντες του συστήματος μετάδοσης κίνησης είναι φθαρμένοι.
	Η αλυσίδα έχει σπάσει ή δεν έχει επαρκή τάνυση.
	Οι δίσκοι συμπλέκτη στο περίβλημα του συστήματος μετάδοσης κίνησης είναι φθαρμένοι.

Πρόβλημα	Αιτία
Η κεφαλή διάτρησης δεν μπορεί να αφαιρεθεί.	Υπάρχει ανεπιθύμητο υλικό στη μονάδα.
	Υπάρχει οξειδωση στο σύστημα.
Η μόνωση του καλωδίου που έχει τοποθετηθεί στο έδαφος έχει υποστεί ζημιά.	Η οπή εξόδου του καλωδίου στο περύγιο τροφοδοσίας έχει υποστεί ζημιά.
	Ο σωλήνας που περιέχει το καλώδιο και που αποτελεί μέρος του περύγιου τροφοδοσίας είναι βρώμικος.

## Μπαταρία

Λυχνία LED στην μπαταρία	Αιτία	Λύση
Η πράσινη λυχνία LED αναβοσβήνει.	Η τάση της μπαταρίας είναι χαμηλή.	Φορτίστε την μπαταρία. Ανατρέξτε στην ενότητα <i>Φόρτιση της μπαταρίας στη σελίδα 102</i> .
Η λυχνία LED σφάλματος αναβοσβήνει.	Η μπαταρία έχει χαμηλή στάθμη φόρτισης.	Φορτίστε την μπαταρία. Ανατρέξτε στην ενότητα <i>Μπαταρία στη σελίδα 107</i> .
	Η θερμοκρασία στο περιβάλλον εργασίας είναι πολύ υψηλή ή πολύ χαμηλή.	Χρησιμοποιείτε την μπαταρία σε θερμοκρασίες μεταξύ $-10^{\circ}\text{C}$ και $40^{\circ}\text{C}$ .
	Υπέρταση.	Βεβαιωθείτε ότι η τάση του δικτύου ρεύματος είναι ίδια με εκείνη που αναγράφεται στην πινακίδα στοιχείων στο προϊόν.  Αφαιρέστε την μπαταρία από το φορτιστή. Περιμένετε 5 δευτερόλεπτα και προσπαθήστε ξανά να φορτίσετε την μπαταρία. Αν το πρόβλημα εξακολουθεί να εμφανίζεται, επικοινωνήστε με έναν εξουσιοδοτημένο αντιπρόσωπο σέρβις.
Η λυχνία LED σφάλματος είναι αναμμένη.	Η διαφορά τάσης μεταξύ των στοιχείων της μπαταρίας είναι πολύ μεγάλη (1 V).	Επικοινωνήστε με έναν εγκεκριμένο αντιπρόσωπο σέρβις.

## Φορτιστής μπαταρίας

Λυχνία LED στον φορτιστή της μπαταρίας	Αιτία	Λύση
Η λυχνία LED σφάλματος αναβοσβήνει.	Η θερμοκρασία στο περιβάλλον εργασίας είναι πολύ υψηλή ή πολύ χαμηλή.	Χρησιμοποιήστε τον φορτιστή της μπαταρίας σε θερμοκρασίες μεταξύ $5^{\circ}\text{C}$ και $40^{\circ}\text{C}$ .
Η λυχνία LED σφάλματος είναι αναμμένη.		Επικοινωνήστε με έναν εγκεκριμένο αντιπρόσωπο σέρβις.

## Ταμπλό ελέγχου

Κωδικός σφάλματος (αριθμός αναλαμβάνων)	Πιθανά σφάλματα	Πιθανή διαδικασία
5	Η ταχύτητα του μοτέρ μειώνεται υπερβολικά και το μοτέρ σταματά.	Καθαρίστε την κεφαλή διάτρησης και μειώστε το βάθος διάτρησης του καλωδίου. Ανατρέξτε στις ενότητες <i>Καθαρισμός και λίπανση της κεφαλής του τρυπανιού στη σελίδα 105</i> και <i>Ρύθμιση του βάθους διάτρησης καλωδίου στη σελίδα 103</i> . Αν το σφάλμα εξακολουθεί να εμφανίζεται, επικοινωνήστε με έναν εξουσιοδοτημένο αντιπρόσωπο σέρβις.
8	Η μπαταρία έχει χαμηλή στάθμη φόρτισης.	Φορτίστε την μπαταρία. Ανατρέξτε στην ενότητα <i>Φόρτιση της μπαταρίας στη σελίδα 102</i> .
9	Σφάλμα μπαταρίας ή έλλειψη σήματος από την μπαταρία.	Τοποθετήστε σωστά την μπαταρία στο προϊόν και ελέγξτε τον σύνδεσμο της μπαταρίας. Αν η λυχνία LED σφάλματος στην μπαταρία αναβοσβήνει, ανατρέξτε στην ενότητα <i>Μπαταρία στη σελίδα 107</i> .
10	Το σύστημα ελέγχου του κινητήρα είναι πολύ ζεστό.	Σβήστε το μοτέρ και περιμένετε μέχρι να κρυώσει.
Άλλα σφάλματα	Εάν προκύψουν άλλα σφάλματα, αφαιρέστε το κλειδί ασφαλείας και την μπαταρία, και απευθυνθείτε σε έναν εγκεκριμένο αντιπρόσωπο σέρβις.	

## Μεταφορά, αποθήκευση και απόρριψη

### Εισαγωγή



**ΠΡΟΕΙΔΟΠΟΙΗΣΗ:** Για την αποφυγή ακούσιας εκκίνησης κατά την μεταφορά, τραβήξτε το κλειδί ασφαλείας προς τα επάνω, αφαιρέστε την μπαταρία και περιμένετε τουλάχιστον για 5 δευτερόλεπτα.

### Μεταφορά

- Οι απαιτήσεις της νομοθεσίας περί μεταφοράς επικίνδυνων εμπορευμάτων ισχύει για τις μπαταρίες ιόντων λιθίου που περιλαμβάνονται.
- Για τις εμπορικές μεταφορές πρέπει να τηρούνται οι ειδικές απαιτήσεις που αναγράφονται στη συσκευασία και στις ετικέτες.
- Βεβαιωθείτε ότι τηρείτε τους κανονισμούς για επικίνδυνα υλικά κατά τη μεταφορά του προϊόντος. Μπορεί να ισχύουν τοπικοί κανονισμοί.
- Για τη μεταφορά, πρέπει πάντα να αφαιρείτε την μπαταρία.
- Τοποθετήστε ταινία στους συνδέσμους της μπαταρίας και βεβαιωθείτε ότι η μπαταρία δεν μπορεί να μετακινηθεί κατά τη μεταφορά.
- Στερεώστε το προϊόν κατά τη μεταφορά.

### Αποθήκευση

- Πριν από την αποθήκευση, αφήστε το προϊόν να κρυώσει.
- Για την αποθήκευση, πρέπει πάντα να αφαιρείτε την μπαταρία.
- Για την αποφυγή ατυχημάτων, βεβαιωθείτε ότι η μπαταρία δεν είναι συνδεδεμένη στο προϊόν κατά την αποθήκευση.
- Αποθηκεύστε τον φορτιστή της μπαταρίας σε κλειστό χώρο χωρίς υγρασία.
- Αποθηκεύστε την μπαταρία και τον φορτιστή σε χώρο χωρίς υγρασία ή παγετό.
- Αποσυνδέστε την μπαταρία από τον φορτιστή προτού την αποθηκεύσετε.
- Μην αποθηκεύετε την μπαταρία σε χώρους όπου μπορεί να προκληθεί στατικός ηλεκτρισμός. Μην αποθηκεύετε την μπαταρία σε μεταλλικό κουτί.
- Αποθηκεύστε το προϊόν μόνο σε χώρο όπου η θερμοκρασία περιβάλλοντος είναι μεταξύ -10 °C και 40 °C.
- Αποθηκεύστε την μπαταρία σε χώρο όπου η θερμοκρασία κυμαίνεται μεταξύ 5 °C και 25 °C, μακριά από την ηλιακή ακτινοβολία.

- Αποθηκεύστε τον φορτιστή μπαταρίας σε χώρο όπου η θερμοκρασία κυμαίνεται μεταξύ 5 °C και 45 °C, μακριά από την ηλιακή ακτινοβολία.
- Βεβαιωθείτε ότι η μπαταρία είναι φορτισμένη κατά 30% - 50% προτού την αποθηκεύσετε για μεγάλο χρονικό διάστημα.
- Αποθηκεύστε το προϊόν, την μπαταρία και τον φορτιστή μπαταρίας σε χώρο που κλειδώνεται, ώστε να μην έχουν πρόσβαση παιδιά και μη εξουσιοδοτημένα άτομα.
- Καθαρίστε το προϊόν.
- Εκτελείτε τις εργασίες συντήρησης που περιγράφονται σε αυτό το εγχειρίδιο χρήσης. Ανατρέξτε στην ενότητα *Πρόγραμμα συντήρησης στη σελίδα 104*.
- Πραγματοποιήστε πλήρες σέρβις του προϊόντος προτού το αποθηκεύσετε για μεγάλο χρονικό διάστημα.

## Απόρριψη

Τα σύμβολα που υπάρχουν πάνω στο προϊόν ή στη συσκευασία του, υποδεικνύουν ότι δεν πρέπει να μεταχειριστείτε το συγκεκριμένο προϊόν ως οικιακό απόρριμμα. Αντιθέτως, πρέπει να το παραδώσετε σε κατάλληλο σταθμό ανακύκλωσης για ανάκτηση του ηλεκτρικού και ηλεκτρονικού εξοπλισμού.

Εξασφαλίζοντας τη σωστή απόρριψη του προϊόντος, συνεισφέρετε στην αντιμετώπιση πιθανών αρνητικών επιπτώσεων που θα μπορούσε να έχει στο περιβάλλον και τους ανθρώπους η λανθασμένη απόρριψη αυτού του προϊόντος. Για περισσότερες πληροφορίες σχετικά με την ανακύκλωση αυτού του προϊόντος, απευθυνθείτε στο δήμο σας, την τοπική υπηρεσία συλλογής απορριμμάτων ή το κατάστημα από το οποίο αγοράσατε το προϊόν.

(Εικ. 60)

## Τεχνικά στοιχεία

<b>Κινητήρας διάτρησης</b>	
Τύπος κινητήρα	BLDC (χωρίς ψήκτρες) 36V
Ταχύτητα κινητήρα - ονομαστική, σ.α.λ.	3000/λεπτό
Ταχύτητα κινητήρα - υψηλό φορτίο, σ.α.λ.	3300/λεπτό
Ισχύς κινητήρα - μέγιστη, kW	1,8
Ισχύς κινητήρα - ονομαστική, kW	1,2
Σύστημα μετάδοσης κίνησης	Μηχανικό κιβώτιο ταχυτήτων με γρανάζια τύπου λουτρού λαδιού
Συμπλέκτης	Τύπου ιμάντα, με τροχαλία
<b>Βάρος</b>	
Βάρος χωρίς μπαταρία, kg	39
Βάρος με 2 x BLi300, kg	43
<b>Μπαταρία</b>	
Τύπος μπαταρίας	Σειρά μπαταριών Husqvarna
<b>Χρόνος λειτουργίας μπαταρίας</b>	
Διάρκεια μπαταρίας, λεπτά <sup>21</sup>	38
<b>Εκπομπές θορύβου <sup>22</sup></b>	
Στάθμη ηχητικής ισχύος, μετρούμενη L <sub>WA</sub> dB (A)	84
Στάθμη ηχητικής ισχύος, εγγυημένη L <sub>WA</sub> dB (A)	86

<sup>21</sup> Ελεύθερη λειτουργία, μετρημένη με ενεργοποιημένη την τυπική λειτουργία και 1 μπαταρία Husqvarna 9,4 Ah (BLi300).

<sup>22</sup> Οι εκπομπές θορύβου στο περιβάλλον μετρούνται ως ηχητική ισχύς (L<sub>WA</sub>) σε συμμόρφωση με την Οδηγία 2000/14/ΕΚ.

<b>Στάθμες ήχου</b> <sup>23</sup>	
Στάθμη ηχητικής πίεσης στο αυτί του χειριστή, σε dB (A)	66
<b>Στάθμες κραδασμών</b> <sup>24</sup>	
Λαβή m/s <sup>2</sup>	1,8
<b>Εξοπλισμός διάστρωσης καλωδίου</b>	
Βάθος διάστρωσης καλωδίου, cm	1–6
Απόσταση μεταξύ κοπτικού τρυπανιού και άκρου τροχού, mm	250, 270, 290, 310
Τρυπάνι	597 04 84-01

Εγκεκριμένες μπαταρίες	Μάρκα	Τύπος	Χωρητικότητα μπαταρίας, Ah	Τάση, V	Βάρος, lb/kg
BLi300	Husqvarna	Ιόντων λιθίου	9,4	36	4,1/1,9

Εγκεκριμένοι φορπιστές για προδιαγραφόμενες μπαταρίες, BLi	Μάρκα	Τάση εισόδου, V	Συχνότητα, Hz	Ισχύς, W
QC500	Husqvarna	100–240	50–60	500

<sup>23</sup> Τα καταγεγραμμένα στοιχεία για τη στάθμη πίεσης θορύβου έχουν τυπική στατιστική διασπορά (τυπική απόκλιση) 1,2 dB(A).

<sup>24</sup> Τα καταγεγραμμένα στοιχεία για τη στάθμη κραδασμών έχουν τυπική στατιστική διασπορά (τυπική απόκλιση) ίση με 0,2 m/s<sup>2</sup>. Πρότυπο δονήσεων EN 1032+A1:2009.

# Δήλωση Συμμόρφωσης

## Δήλωση συμμόρφωσης ΕΕ

Εμείς, η **Husqvarna AB**, SE-561 82 Huskvarna, Σουηδία,  
τηλ.: +46-36-146500, δηλώνουμε με αποκλειστική μας  
ευθύνη ότι το προϊόν:

<b>Περιγραφή</b>	Προϊόν διάσπαρσης καλωδίου
<b>Μάρκα</b>	Husqvarna
<b>Τύπος / Μοντέλο</b>	CL400i
<b>Αναγνώριση</b>	Αριθμοί σειράς με ημερομηνία από το 2022 και έπειτα

συμμορφώνεται πλήρως με τις ακόλουθες οδηγίες και  
τους κανονισμούς της ΕΕ:

<b>Κανονισμός</b>	<b>Περιγραφή</b>
2006/42/EK	"σχετικά με τα μηχανήματα"
2014/30/EE	"σχετικά με την ηλεκτρομαγνητική συμβατότητα"
2011/65/EE	"σχετικά με τον περιορισμό της χρήσης ορισμένων επικίνδυνων ουσιών σε είδη ηλεκτρικού και ηλεκτρονικού εξοπλισμού"

και ότι εφαρμόζονται τα παρακάτω πρότυπα ή/και  
τεχνικές προδιαγραφές: EN ISO 12100:2010, EN ISO  
14119:2013, EN ISO 14120:2015, EN ISO 13857:2019,  
EN 62841-1:2015+AC:2015, EN ISO 11202:2010, EN  
1032:2009, EN 55014-1:2017, EN 55014-2:2015, EN  
63000:2018.

Για πληροφορίες σχετικά με τις εκπομπές θορύβου,  
ανατρέξτε στην ενότητα *Τεχνικά στοιχεία στη σελίδα 109*.

Huskvarna, 2022-03-21



Claes Losdal, Διευθυντής ανάπτυξης/Προϊόντα κήπου,  
Husqvarna AB

Υπεύθυνος για την τεχνική τεκμηρίωση



---

# Contenido

---

Introducción.....	112	Resolución de problemas.....	123
Seguridad.....	113	Transporte, almacenamiento y eliminación.....	125
Montaje.....	118	Datos técnicos.....	126
Funcionamiento.....	118	Declaración de conformidad.....	128
Mantenimiento.....	121		

---

## Introducción

---

### Descripción del producto

El producto es un equipo para el tendido de cables conducido a pie.

### Uso previsto

Utilice el producto para colocar en la tierra el cable delimitador y el cable guía de los robots cortacésped. No utilice el producto para otras tareas.

### Descripción del producto

(Fig. 1)

1. Mando de perforación
2. Mando de inclinación del manillar
3. Mando de la transmisión
4. Contador
5. Enrollador de cable
6. Aleta de alimentación
7. Taladro
8. Panel de control
9. Llave de seguridad
10. Batería (accesorio)
11. Cargador de batería (accesorio)
12. Manual de usuario

(Fig. 10) Modo de espera (botón negro).

(Fig. 10) Arranque y parada del motor (botón rojo).

(Fig. 11) Ni el producto ni su embalaje son residuos domésticos. Recíclelos en un centro de reciclaje para equipos eléctricos y electrónicos.

(Fig. 12) El producto cumple con las directivas CE vigentes.

(Fig. 13) Este producto cumple con las directivas del Reino Unido vigentes.

### Símbolos que aparecen en el producto

(Fig. 2) ADVERTENCIA

(Fig. 3) Advertencia: Piezas giratorias. Mantenga las manos y los pies alejados.

(Fig. 4) Tenga cuidado con los objetos que salgan despedidos o rebotados.

(Fig. 5) Lea las instrucciones.

(Fig. 6) Mantenga a las personas y animales a una distancia de seguridad respecto al área de trabajo.

(Fig. 7) Riesgo de lesiones oculares para los transeúntes.

(Fig. 8) No exponer a la lluvia.

(Fig. 9) Utilice una pantalla de protección facial.

(Fig. 14) Etiqueta de emisiones sonoras al medioambiente conforme con las directivas y normativas europeas y del Reino Unido, y con la regulación de 2017 sobre de protección del medioambiente (control de ruidos) (Protection of the Environment Operations - Noise Control) de la legislación de Nueva Gales del Sur. El nivel de potencia acústica garantizado del producto se especifica en el apartado *Datos técnicos en la página 126* y en la etiqueta.

(Fig. 15) El producto está protegido contra salpicaduras.

---

**Nota:** Los demás símbolos y etiquetas que aparecen en el producto corresponden a requisitos de homologación específicos en algunos mercados.

---

### Daños en el producto

No nos hacemos responsables de los daños que pueda sufrir el producto si:



- El producto se ha reparado incorrectamente.
- El producto se ha reparado con piezas que no eran del fabricante o no autorizadas por el fabricante.
- El producto tiene un accesorio que no es del fabricante o no está autorizado por este.
- El producto no se ha reparado en un centro de servicio autorizado o por un organismo homologado.

## Seguridad

### Definiciones de seguridad

Las advertencias, precauciones y notas se utilizan para destacar información especialmente importante del manual.



**ADVERTENCIA:** Indica un riesgo de lesiones o incluso de muerte del usuario o de las personas cercanas si no se respetan las instrucciones del manual.



**PRECAUCIÓN:** Indica un riesgo de daños en el producto, otros materiales o el área adyacente si no se respetan las instrucciones del manual.

**Nota:** Se usa para proporcionar más información necesaria en una situación determinada.

### Instrucciones generales de seguridad del producto



**ADVERTENCIA:** Lea todas las advertencias de seguridad, instrucciones, ilustraciones y especificaciones que se incluyen con este producto. Si no se siguen las instrucciones que aparecen a continuación, puede producirse una descarga eléctrica, un incendio o lesiones graves.

Conserve todas las advertencias e instrucciones para su consulta. El término «producto» empleado en las advertencias hace referencia tanto al producto que funciona con conexión eléctrica a la red (con cable) como al que funciona con batería (inalámbrico).

### Seguridad en el área de trabajo

- **Mantenga el área de trabajo limpia y bien iluminada.** Las zonas abarrotadas de cosas u oscuras favorecen los accidentes.
- **No utilice el producto en ambientes explosivos como aquellos en los que hay líquidos, gases o polvo inflamables.** El producto produce chispas que pueden inflamar el polvo o los vapores.
- **Mantenga alejados a los niños y a otras personas mientras utiliza el producto.** Las distracciones pueden hacer que pierda el control de esta.

### Seguridad eléctrica

- **El enchufe del producto debe ser apto para la toma de corriente utilizada. Nunca modifique el enchufe. No utilice adaptadores en productos con conexión a tierra.** Los enchufes sin modificar y las tomas de corriente del mismo tipo ayudan a reducir el riesgo de descarga eléctrica.
- **Evite el contacto de su cuerpo con superficies puestas a tierra como tuberías, radiadores, cocinas y neveras.** Si su cuerpo está en contacto con el suelo, existe un mayor riesgo de descarga eléctrica.
- **No esponga el producto a la lluvia ni a ambientes húmedos.** Si entra agua en el producto, aumentará el riesgo de recibir descargas eléctricas.
- **Maneje el cable con cuidado. No lo utilice nunca para transportar el producto, tirar de él o desenchufarlo. Manténgalo alejado de fuentes de calor, aceite, aristas vivas o piezas móviles.** Los cables dañados o enredados incrementan el riesgo de descarga eléctrica.
- **Cuando trabaje con un producto en exteriores, utilice un alargador apto para exteriores.** Utilizar un cable adecuado para su uso en exteriores reduce el riesgo de descarga eléctrica.
- **Si es necesario utilizar el producto en un lugar húmedo, utilice un interruptor diferencial como protección.** La utilización de un interruptor diferencial reduce el riesgo de descargas eléctricas.

### Seguridad personal

- **Esté siempre atento, fíjese en lo que está haciendo y utilice el sentido común cuando maneje el producto. No utilice el producto si está cansado o bajo los efectos de estupefacientes, alcohol o medicamentos.** Un momento de descuido puede causar lesiones graves.
- **Utilice el equipo de protección personal. Protéjase siempre los ojos.** El equipo de protección, como la mascarilla antipolvo, los zapatos de seguridad antideslizantes, el casco o los protectores auditivos, utilizados en función de las condiciones de trabajo, reducirá el riesgo de lesiones.
- **Evite el encendido accidental de la herramienta. Asegúrese de que el interruptor está en la posición de apagado antes de conectar el producto a la fuente de alimentación o la batería, cogerlo o transportarlo.** Transportar el producto con el dedo puesto sobre el interruptor o conectar la alimentación con el interruptor en la posición de encendido puede provocar accidentes.

- **Quite todas las clavijas de ajuste o llaves de tuercas antes de encender el producto.** Una llave de tuercas o clavija de ajuste que se ha dejado colocada en una pieza giratoria del producto puede causar lesiones.
- **No se estire demasiado. Mantenga una posición correcta y el equilibrio en todo momento.** Así podrá controlar mejor el producto en situaciones imprevistas.
- **Utilice la ropa adecuada. No utilice nunca ropa amplia ni joyas. Mantenga el pelo y la ropa alejados de las piezas móviles.** La ropa holgada, las joyas o el pelo largo pueden quedar atrapados en las piezas móviles.
- **Si se suministran equipos de aspiración o captación de polvo, asegúrese de que estén conectados y se utilicen correctamente.** El uso de estos equipos puede reducir los riesgos derivados del polvo.
- **Evite que la familiaridad adquirida con el uso frecuente del producto le lleve a confiarse e ignorar las medidas de seguridad del mismo.** Una acción negligente puede causar lesiones graves en una fracción de segundo.

## Uso y cuidado del producto

- **No fuerce el producto. Utilice el producto adecuado para el trabajo que deba realizar.** Con el producto apropiado hará el trabajo mejor y con mayor seguridad a la potencia para la que fue diseñado.
- **No utilice el producto si el interruptor no funciona.** Los productos que no se puedan controlar con el interruptor son peligrosos y deben repararse.
- **Desconecte el enchufe de la fuente de alimentación o quite la batería del producto, si se puede, antes de realizar cualquier ajuste, cambiar accesorios o guardar el producto.** Las medidas de seguridad preventivas reducen el riesgo de poner en marcha el producto de forma accidental.
- **Si no utiliza el producto, guárdelo fuera del alcance de los niños y no permita que personas no familiarizadas con su uso o con estas instrucciones lo manejen.** El producto puede ser peligroso en manos de usuarios no cualificados.
- **Efectúe el mantenimiento del producto y de los accesorios. Compruebe que no haya partes móviles mal alineadas o trabadas, piezas rotas o cualquier otra circunstancia que pueda afectar al funcionamiento del producto. Si detecta daños, lleve el producto a reparar antes de usarlo.** Muchos accidentes se deben al uso de productos que carecen de un mantenimiento adecuado.
- **Mantenga las herramientas de corte afiladas y limpias.** Las herramientas de corte con aristas afiladas y un mantenimiento adecuado tienen menos probabilidades de trabarse y son más fáciles de controlar.
- **Utilice el producto, accesorios, útiles, etc., según se indica en estas instrucciones, teniendo en cuenta las condiciones de trabajo y la tarea que debe realizar.** El uso del producto para trabajos distintos a

aquellos para los que fue diseñado podría dar lugar a situaciones peligrosas.

- **Mantenga los mangos y superficies de agarre secos, limpios y sin aceite ni grasa.** Las superficies de agarre y los mangos resbaladizos no permiten manejar y controlar de forma segura el producto ante cualquier imprevisto.

## Servicio

- **Solo técnicos cualificados que utilicen piezas de repuesto originales deben llevar a cabo las tareas de mantenimiento del producto.** De este modo se garantiza la seguridad del producto.
- **No revise baterías dañadas.** La revisión de las baterías solo debe realizarla el fabricante o un proveedor de servicio autorizado.

## Uso y cuidado de la herramienta con batería

- **Efectúe las recargas únicamente con el cargador especificado por el fabricante.** Un cargador apto para un tipo de batería puede comportar riesgo de incendio al utilizarse con otra batería distinta.
- **Utilice los productos exclusivamente con su batería específica.** El uso de otra batería puede comportar riesgo de lesiones e incendio.
- **Cuando no utilice la batería, manténgala alejada de objetos metálicos que puedan conectar un terminal a otro, como clips, monedas, llaves, clavos, tornillos u otros objetos metálicos pequeños.** Un cortocircuito en los terminales de la batería puede causar quemaduras o un incendio.
- **En condiciones extremas, el líquido puede salir expulsado de la batería; evite cualquier contacto. Si se produjera un contacto accidentalmente, enjuáguese con agua. Además, si el líquido entra en contacto con los ojos, busque asistencia médica.** El líquido expulsado de la batería puede causar irritaciones o quemaduras.
- **No utilice una batería o herramienta defectuosa, dañada o modificada.** Las baterías dañadas o modificadas pueden comportarse de forma impredecible y provocar incendios, explosiones o riesgo de lesiones.
- **No exponga la batería o la herramienta al fuego ni a temperaturas excesivas.** La exposición al fuego o a temperaturas superiores a 130 °C/265 °F puede causar una explosión.
- **Siga todas las instrucciones de carga y no cargue la batería o herramienta fuera del rango de temperatura especificado en las instrucciones.** La carga incorrecta o a temperaturas fuera del intervalo especificado puede dañar la batería y aumentar el riesgo de incendio.

## Instrucciones generales de seguridad



**ADVERTENCIA:** Lea las siguientes instrucciones de advertencia antes de utilizar el producto.

- Este producto es una herramienta peligrosa si se usa incorrectamente o si no se tiene cuidado. Puede causar lesiones graves o incluso la muerte si no siguen las instrucciones de seguridad.
- Este producto genera un campo electromagnético durante el funcionamiento. Este campo magnético puede, en determinadas circunstancias, interferir con implantes médicos activos o pasivos. Para reducir el riesgo de que se den condiciones que provocarían lesiones graves o letales, las personas que utilizan implantes médicos deben consultar con su médico y con el fabricante del implante antes de poner en marcha este producto.
- Proceda siempre con cuidado y utilice el sentido común. Si no está seguro de cómo manejar el producto en una situación en particular, pare y consulte con su distribuidor Husqvarna antes de continuar.
- Tenga en cuenta que el usuario será el responsable de los accidentes que involucren a otras personas o a su propiedad.
- Mantenga el producto limpio. Asegúrese de que pueda leer claramente las etiquetas.
- No permita que niños ni adultos que no estén familiarizados con estas instrucciones utilicen el aparato. La legislación local puede restringir la edad del usuario.
- Si una persona con discapacidad física o mental usa el producto, asegúrese de supervisarla en todo momento. Debe haber presente en todo momento una persona mayor de edad responsable.
- No utilice el producto si está cansado, enfermo o si se encuentra bajo los efectos de alcohol, drogas o medicamentos. Esto tiene un efecto negativo en su visión, capacidad de reacción, coordinación y capacidad de decisión.
- No utilice el producto si está dañado o no funciona correctamente.
- No modifique este producto ni lo utilice si puede haber sido modificado por otras personas.
- No utilice el producto a menos que el taladro y todas las cubiertas estén fijados correctamente. Un taladro fijado de forma incorrecta puede soltarse y provocar daños.
- Retire objetos tales como ramas, palos y piedras del área de trabajo antes de usar el producto.
- Los objetos que choquen contra el equipo de tendido de cables pueden salir despedidos y causar daños a personas y objetos. Mantenga a las personas y los animales a una distancia de seguridad respecto al producto.
- No utilice el producto en condiciones climáticas desfavorables, como niebla, lluvia, viento fuerte, frío intenso y riesgo de relámpagos. El uso del producto en condiciones climáticas desfavorables o en entornos húmedos o mojados produce mucho cansancio. El mal tiempo puede causar condiciones peligrosas, como superficies resbaladizas.
- Preste atención a las personas, objetos y situaciones que puedan impedir el funcionamiento seguro del producto.
- Tenga cuidado con los posibles obstáculos, como raíces, piedras, ramas, hoyos y zanjas. El césped crecido puede esconder obstáculos.
- No utilice el producto en pendientes de más de 15°.
- Tenga sumo cuidado al cambiar de dirección en pendientes. Utilice el producto a lo largo de las laderas de las pendientes. No se desplace hacia arriba y hacia abajo.
- Tenga cuidado cuando se acerque a esquinas y objetos escondidos que puedan bloquear su campo de visión.
- Asegúrese de que el taladro no golpea ningún objeto, como piedras y raíces, pues esto puede causar daños al taladro y doblar el eje del motor. Un eje del motor doblado causará vibraciones excesivas y un riesgo muy alto de que el taladro se suelte.
- Si el taladro choca con algún objeto o si se producen vibraciones, pare el producto inmediatamente. Pare el motor, extraiga la llave de seguridad y retire la batería. Espere hasta que las piezas móviles se detengan. Examine el producto para comprobar si presenta daños. Apriete las piezas sueltas. Repare los daños y cambie las piezas dañadas. Lleve el producto a un taller de servicio homologado para que hagan las reparaciones.

## Seguridad en el trabajo



**ADVERTENCIA:** Lea las siguientes instrucciones de advertencia antes de utilizar el producto.

- Utilice el producto para colocar en la tierra el cable delimitador y el cable guía de los robots cortacésped. No utilice el producto para otras tareas.
- Utilice el equipo de protección personal. Consulte la sección *Equipo de protección personal en la página 116*.
- Asegúrese de que sabe cómo detener el motor rápidamente en caso de emergencia.
- No utilice el producto bajo la lluvia ni en ambientes húmedos. El riesgo de sacudida eléctrica aumenta si entra agua en el producto.
- No presione el mando de perforación contra el manillar permanentemente con el motor en marcha.
- Ponga el producto en una superficie plana y estable, y arránquelo.
- Manténgase siempre detrás del producto durante su uso.
- Mientras utilice el producto, mantenga todas las ruedas apoyadas en el suelo y las dos manos en el manillar.
- Mantenga alejadas las manos y los pies del taladro giratorio.
- No incline el producto cuando arranque el motor ni durante su uso.

- Tenga cuidado cuando tire del producto hacia atrás.
- No levante el producto con el motor en marcha. Si tiene que levantar el producto, en primer lugar detenga el motor, tire hacia arriba de la llave de seguridad y retire la batería.
- No camine hacia atrás mientras utiliza el producto.
- Suelte el mando de perforación para detener el taladro cuando sea necesario inclinar el producto para su transporte.
- No corra con el producto con el motor en marcha. Camine siempre mientras utiliza el producto.
- Detenga el motor antes de cambiar la profundidad de tendido del cable. No realice ajustes con el motor en marcha.
- No deje el producto desatendido con el motor en marcha. Pare el motor y asegúrese de que el taladro no gire.
- Las vibraciones del producto durante el funcionamiento pueden ser diferentes del valor de vibraciones declarado en *Datos técnicos en la página 126*. La diferencia se debe a las variaciones en la forma en la que se utiliza el producto. Si utiliza el producto con frecuencia o durante largos periodos de tiempo, haga descansos con frecuencia para evitar lesiones por vibraciones.

- Utilice guantes protectores cuando sea necesario, por ejemplo, para el montaje, inspección o limpieza del equipo de tendido de cable.
- Recomendamos utilizar protectores auriculares.

## Dispositivos de seguridad en el producto



**ADVERTENCIA:** Lea las siguientes instrucciones de advertencia antes de utilizar el producto.

- No utilice ningún producto con dispositivos de seguridad dañados o que no funcionen correctamente.
- No retire ni modifique los dispositivos de seguridad.
- Realice una comprobación de los dispositivos de seguridad con frecuencia. Si los dispositivos de seguridad están dañados o no funcionan correctamente, póngase en contacto con su taller de servicio Husqvarna.

## Llave de seguridad

La llave de seguridad se encuentra debajo de la tapa de la batería. La llave de seguridad conecta la batería que suministra electricidad al motor.

## Comprobación de la llave de seguridad

La llave de seguridad conecta la batería que suministra electricidad al motor.

- Arranque y pare el motor. Si la llave de seguridad funciona correctamente, el motor solo puede arrancar cuando la llave está en la cerradura de seguridad.

## Mando de perforación

El mando de perforación detiene el taladro. Cuando se suelta el mando de perforación, el taladro se detiene.

Para realizar una comprobación del mando de perforación, arranque el motor, presione el mando de perforación y, luego, suéltelo. Si el taladro no se detiene en 3 segundos, acuda a un taller de servicio autorizado de Husqvarna.

(Fig. 17)

## Seguridad de la batería



**ADVERTENCIA:** Lea las siguientes instrucciones de advertencia antes de utilizar el producto.

- Utilice solamente baterías recargables Husqvarna como fuente de alimentación para otros productos Husqvarna relacionados. Para evitar lesiones, no utilice la batería como fuente de alimentación de otros dispositivos.
- No utilice baterías no recargables.
- Riesgo de descarga eléctrica. Evite que los terminales de la batería entren en contacto con

## Instrucciones de seguridad para el funcionamiento

Lea las siguientes instrucciones antes de utilizar el producto.

- Compruebe que el cable en la guía está intacto.
- Compruebe que el tubo de la aleta de alimentación esté intacto. Sustituya el tubo si está desgastado o dañado.

(Fig. 16)

- Asegúrese de que el borde alrededor del orificio no está afilado ni dañado. Sustituya la guía del cable si está dañada.
- Asegúrese de que todos los tornillos estén bien apretados.
- Asegúrese de que todas las palancas estén en posición neutra.

## Equipo de protección personal



**ADVERTENCIA:** Lea las siguientes instrucciones de advertencia antes de utilizar el producto.

- El equipo de protección personal no elimina completamente el riesgo de lesiones, pero reduce la gravedad de las lesiones en caso de accidente. Deje que el distribuidor le ayude a seleccionar el equipo adecuado.
- Utilice botas o zapatos de trabajo antideslizantes. No utilice calzado abierto ni vaya descalzo.
- Utilice pantalones largos gruesos.

llaves, monedas, tornillos u otros objetos metálicos. Esto puede provocar un cortocircuito en la batería.

- No coloque objetos en las ranuras de ventilación de la batería.
- Mantenga la batería lejos de la luz directa del sol, de fuentes de calor o de las llamas. La batería puede explotar y provocar quemaduras o quemaduras químicas.
- Mantenga la batería resguardada de la lluvia y la humedad.
- Mantenga la batería lejos de microondas y fuentes de alta presión.
- No intente desmontar o romper la batería.
- Si se produce una fuga en la batería, no permita que el líquido entre en contacto con el cuerpo ni con los ojos. Si toca el líquido, limpie el área con abundante agua y busque asistencia médica.
- Utilice la batería del producto únicamente cuando la temperatura ambiente se encuentre entre los 5 °C y los 40 °C.
- Utilice el cargador de la batería únicamente cuando la temperatura ambiente se encuentre entre los 5 °C y los 40 °C.
- La batería no se cargará si su temperatura es superior a 50 °C.
- No limpie la batería ni el cargador con agua. Consulte *Limpieza de la batería y el cargador de batería en la página 123*.
- No utilice una batería dañada.
- Guarde la batería alejada de objetos metálicos, como clavos, monedas o joyas.

## Seguridad del cargador de batería



**ADVERTENCIA:** Lea las siguientes instrucciones de advertencia antes de utilizar el producto.

- Utilice solamente cargadores de baterías QC para cargar las baterías de repuesto Husqvarna.
- Riesgo de descarga eléctrica o cortocircuito. No coloque objetos en las ranuras de ventilación del cargador. No intente desmontar el cargador de batería. No conecte los terminales del cargador a objetos metálicos. Utilice una toma de corriente homologada.
- Este producto genera un campo electromagnético durante el funcionamiento. Este campo magnético puede, en determinadas circunstancias, interferir con implantes médicos activos o pasivos. Para reducir el riesgo de que se den condiciones que provocarían lesiones graves o letales, las personas que utilizan implantes médicos deben consultar con su médico y con el fabricante del implante antes de utilizar este producto.
- Compruebe con regularidad que el cable de alimentación del cargador de batería no esté dañado ni agrietado.

- No levante el cargador de batería tirando del cable de alimentación. Para desconectar el cargador de batería de la toma de corriente, tire del enchufe. No tire del cable de alimentación.
- Mantenga el cable de alimentación y los cables alargadores apartados de agua, aceite y cantos afilados. Proceda con cuidado para evitar que el cable se enganche en puertas, vallas o similares. De lo contrario, el cargador podría transmitir corriente.
- No limpie el cargador de la batería con agua.
- Los niños mayores de ocho años y las personas con facultades físicas, psíquicas o sensoriales disminuidas, o sin la experiencia y los conocimientos necesarios pueden usar el cargador de batería si se les supervisa o instruye en lo que respecta al uso seguro del aparato y comprenden los peligros existentes. Los niños no deben jugar con el cargador de batería. Los niños no deberán llevar a cabo la limpieza ni operaciones de mantenimiento sin supervisión.
- No intente cargar baterías no recargables en el cargador de batería.
- No utilice el cargador de batería cerca de materiales inflamables o corrosivos. No tape el cargador de batería. Desenchufe el cargador de batería si produce humo o se incendia.
- No utilice un cargador de batería dañado.
- Cargue la batería solo en interiores, en una estancia con buena ventilación y lejos de la luz solar directa. No cargue la batería en un entorno húmedo.

## Instrucciones de seguridad para el mantenimiento



**ADVERTENCIA:** Lea las siguientes instrucciones de advertencia antes de utilizar el producto.

- Retire la llave de seguridad antes de realizar tareas de mantenimiento en el producto.
- Realice los trabajos de mantenimiento correctamente para aumentar la vida útil del producto y reducir el riesgo de accidentes. Deje que un taller de servicio homologado haga las reparaciones profesionales. Póngase en contacto con su taller de servicio más cercano para obtener más información.
- Realice únicamente las tareas de mantenimiento que figuran en este manual de usuario.
- Utilice guantes resistentes cuando toque el equipo de tendido de cable.
- Mantenga el producto limpio para obtener los mejores resultados con la máxima seguridad.
- Diríjase a su taller de servicio para que examine el producto regularmente y para que realice ajustes y reparaciones necesarios.
- Cambie las piezas dañadas, desgastadas o rotas.

- Respete las instrucciones correspondientes al cambio de accesorios. Utilice únicamente los accesorios del fabricante.
- Cuando no esté en funcionamiento, mantenga el producto, la batería y cargador de batería aparte

en un lugar seco, interior y bajo llave. Asegúrese de que los niños y personas que no cuenten con autorización no puedan acceder al producto, la batería o el cargador de batería.

## Montaje

### Introducción



**ADVERTENCIA:** Asegúrese de leer y comprender el capítulo sobre seguridad antes de montar el producto.

### Instalación de la broca

1. Coloque la broca (A) en el cabezal del taladro (B) e instale el tornillo largo (C). (Fig. 18)

**Nota:** Es necesaria una llave Allen de 6 mm para instalar la broca.

2. Instale el cabezal del taladro en el eje (D) con el tornillo corto (E).
3. Apriete los tornillos.

### Instalación del cable

El producto dispone de un enrollador de cable acoplado que se puede extraer.

1. Coloque el cable en el enrollador. Utilice el pomo para girar el enrollador de cable hacia la derecha.

**Nota:** El cable debe instalarse hacia la derecha en el enrollador para que se desenrolle fácilmente durante el funcionamiento. (Fig. 19)

2. Introduzca el cable por el tubo de la aleta de alimentación (A) hasta que salga por la parte inferior (B) aproximadamente 5 cm. (Fig. 20)

### Instalación y desmontaje del enrollador de cable

1. Afloje la palomilla (A). (Fig. 21)
2. Extraiga el retén (B).
3. Retire el enrollador de cable (C).
4. Instale el enrollador de cable (D). Utilice el adaptador si es necesario. (Fig. 22)
5. Instale el retén (E) y apriete la palomilla (F).

## Funcionamiento

### Introducción



**ADVERTENCIA:** Antes de utilizar el producto, debe leer y entender el capítulo sobre seguridad.

### Husqvarna Fleet Services™

Husqvarna Fleet Services™ es una solución en la nube que ofrece al operador una visión general de todos los productos que están conectados. En este producto se puede instalar un sensor Husqvarna Fleet Services™. El sensor Husqvarna Fleet Services™ recopila datos del producto y le permite conectarse al sistema Husqvarna Fleet Services™. El sistema Husqvarna Fleet Services™ informa de datos tales como el tiempo de funcionamiento, los intervalos de mantenimiento y la ubicación del producto.

Para obtener más información acerca de Husqvarna Fleet Services™, descargue la aplicación Husqvarna Fleet Services™ o póngase en contacto con su representante de Husqvarna.

### Preparación del sensor (accesorio)

1. Utilice la llave del sensor para abrir la tapa del sensor. (Fig. 23)
2. Retire el sensor.
3. Conecte la batería al sensor. Se enciende el indicador LED del sensor. (Fig. 24)
4. Descargue la aplicación Husqvarna Fleet Services™.
5. Inicie sesión en la aplicación Husqvarna Fleet Services™.
6. Realice el emparejamiento. Consulte *Emparejamiento de la aplicación y el producto en la página 118*

### Emparejamiento de la aplicación y el producto

1. Inicie sesión en la aplicación Husqvarna Fleet Services™.
2. Seleccione el producto en la aplicación.
3. Escanee el código que se encuentra detrás del sensor con su dispositivo móvil para instalar el sensor en la aplicación.

**Nota:** La aplicación y el producto deben emparejarse solamente una vez.

## Instalación del sensor

1. Asegúrese de que el sensor está conectado a la aplicación Husqvarna Fleet Services™. Consulte la sección *Emparejamiento de la aplicación y el producto en la página 118*.
2. Perfore 2 orificios según las marcas de la ranura de la carcasa. (Fig. 25)

**Nota:** Asegúrese de que los orificios tengan las mismas dimensiones que los remaches suministrados con el sensor.

3. Utilice unos alicates para abrir los orificios exteriores de la ranura del sensor. (Fig. 26)
4. Perfore 2 orificios según las marcas de la ranura del sensor. (Fig. 27)
5. Alinee la ranura del sensor con la ranura de la carcasa. (Fig. 28)
6. Fije la ranura del sensor con los remaches.
7. Instale el sensor en la ranura del sensor. Alinee la marca blanca del sensor con la marca de la ranura del sensor. (Fig. 29)
8. Cierre la tapa del sensor y bloquéela con la llave del sensor. Asegúrese de que la parte superior de la "H" de Husqvarna apunta lejos de la llave de seguridad. (Fig. 30)

## Batería



**ADVERTENCIA:** Antes de usar la batería, debe leer y entender el capítulo sobre seguridad. También debe leer y comprender el manual de usuario de la batería y el cargador de la batería.

Mantenga la batería y el cargador de la batería en lugares con una temperatura ambiente correcta.

	Temperatura ambiente
Funcionamiento de la batería	5 °C - 40 °C
Carga de la batería	5 °C - 40 °C

## Estado de la batería

La pantalla muestra la capacidad restante de la batería y si hay algún problema con la batería. La carga de la batería se muestra durante cinco segundos después de apagar el producto o pulsar el botón del indicador de la batería. El símbolo de advertencia de la batería se enciende cuando se produce un error. Consulte *Batería en la página 124*.

(Fig. 31)

Indicadores LED	Estado de la batería
Todos los LED están encendidos	Carga completa (75-100 %)
LED 1, LED 2 y LED 3 encendidos	La batería tiene una carga del 50 %-75 %
LED 1 y LED 2 encendidos	La batería tiene una carga del 25 %-50 %
LED 1 encendido	La batería tiene una carga del 0 %-25 %.
El LED 1 parpadea	La batería está descargada. Cargue la batería.

## Para cargar la batería

Cargue la batería antes de utilizarla por primera vez. La batería solo tiene un 30 % de carga cuando se entrega al cliente.

**Nota:** El cargador de la batería debe estar conectado a la tensión y la frecuencia indicadas en la placa de características.

La batería no se cargará si su temperatura es superior a 50 °C. El cargador de batería disminuye la temperatura de la batería antes de empezar a cargarse.

1. Conecte un extremo del cable de alimentación del cargador de batería a la toma de este último.
2. Conecte el otro extremo del cable de alimentación del cargador de batería a un enchufe de corriente con toma de tierra. El LED del cargador de batería parpadea de color verde una vez. (Fig. 32)
3. Coloque la batería en el cargador. La luz verde del cargador se enciende cuando la batería está conectada correctamente al cargador de batería. (Fig. 33)
4. Cuando todos los LED de la batería se hayan encendido, la batería estará totalmente cargada. Cargue la batería durante un máximo de 24 horas.
5. Para desconectar el cargador de la toma de corriente, tire del enchufe, no del cable de alimentación.
6. Retire la batería del cargador.

## Estado de la carga de la batería

Una batería de iones de litio de Husqvarna se puede cargar o utilizar sea cual sea su nivel de carga. La batería no sufre daños. La carga de una batería completamente cargada no se pierde aun cuando se deje en el cargador.

Indicadores LED	Estado de carga
El LED 1 parpadea	0 %-25 %

Indicadores LED	Estado de carga
LED 1 encendido y LED 2 parpadeando	25 %-50 %
LED 1 y LED 2 encendidos; LED 3 parpadeando.	50 %-75 %
LED 1, LED 2 y LED 3 encendidos; LED 4 parpadeando.	75 %-100 %
LED 1, LED 2, LED 3 y LED 4 encendidos	Completamente cargada

- Suelte el mando de control de la transmisión para desacoplar la transmisión de las ruedas.

## Ajuste de la profundidad de tendido del cable

1. Afloje la palomilla (A). (Fig. 38)
2. Ajuste la rueda de soporte (B) a la profundidad de tendido de cable necesaria y apriete la palomilla.

**Nota:** Los números (C) en el lateral del tubo de la rueda de soporte muestran la profundidad de tendido del cable en centímetros. Dicha profundidad se puede ajustar entre 1 y 6 cm.

## Pasos por seguir antes de poner en funcionamiento el producto

1. Si es verano o el suelo está seco, riegue un día antes de realizar el trabajo.
2. Asegúrese de que las personas y los animales estén a una distancia mínima de 20 m del producto.
3. Coloque el cable en el enrollador. Consulte la sección *Instalación del cable en la página 118*.
4. Ajuste la profundidad de tendido del cable. Consulte la sección *Ajuste de la profundidad de tendido del cable en la página 120*.
5. Fije el extremo del cable a una estaca.

## Puesta en marcha del producto

1. Incline el manillar hacia el lado. Consulte *Inclinación del manillar en la página 120*.
2. Abra la tapa de la batería.
3. Coloque una batería cargada en la posición de batería número 1 debajo de la tapa de las baterías. Para prolongar la autonomía, coloque una segunda batería cargada en la posición número 2.
4. Desconecte la llave de seguridad de su soporte.
5. Introduzca la llave de seguridad en la cerradura de seguridad. (Fig. 34)
6. Permanezca detrás del producto.
7. Pulse el botón de modo de espera (A) en el panel de control. Se enciende el indicador de modo de espera (B). (Fig. 35)
8. Pulse el botón de arranque/parada (C) hasta que se quede pulsado. El motor se pone en marcha.



**PRECAUCIÓN:** No utilice el producto si la luz de advertencia (D) roja parpadea.

9. Presione el mando de perforación en la dirección del manillar para accionar el taladro. (Fig. 36)

## Uso de la transmisión de las ruedas

- Tire del mando de la transmisión (A) en la dirección del manillar para accionar la transmisión. (Fig. 37)

## Ajuste de la altura del manillar

La altura del manillar se puede ajustar en 5 posiciones.

1. Gire el manillar (A) hacia la izquierda para aflojarlo y retire la palomilla (B). (Fig. 39)
2. Ajuste la altura del manillar e introduzca la palomilla en el orificio de la posición más cercana.
3. Gire el manillar hacia la derecha para apretarlo.

## Inclinación del manillar

Puede inclinar el manillar para evitar golpearse contra los obstáculos al utilizar el producto. El manillar se puede inclinar hacia 4 posiciones a la izquierda y 4 a la derecha.

1. Tire del mando de inclinación del manillar (A) en la dirección del manillar por completo y sujételo. El mando de inclinación del manillar se encuentra en la parte inferior izquierda del manillar. (Fig. 40)
2. Incline el manillar hacia 1 de las 4 posiciones a la izquierda o a la derecha, y suelte el mando de inclinación del manillar. Asegúrese de que el pasador que bloquea la posición del manillar se encuentra en una de las ranuras. (Fig. 41)

## Bloqueo de la función de rotación de la aleta de alimentación

Para aumentar la precisión de la dirección al tender el cable en secciones rectas y largas, puede bloquear el movimiento de rotación de la aleta de alimentación.

- Asegúrese de que la aleta de alimentación esté en la misma dirección que el producto y apriete la palanca (A). (Fig. 42)

## Ajuste de la guía del cable

El producto está configurado para cables de 4 mm. Si el cable tuviera un diámetro mayor, sería necesario ajustar la guía del cable.

1. Afloje los 2 tornillos. (Fig. 43)
2. Mueva la guía del cable unos milímetros hacia arriba.



3. Apriete los 2 tornillos.

## Ajuste de la anchura de vía

La posición de las ruedas se puede ajustar para diferentes anchuras de vía. Hay 4 orificios de ajuste en el eje del lado izquierdo y 4 en el derecho. La anchura de vía se puede ajustar a 250, 270, 290 o 310 mm del centro del taladro. (Fig. 44)

1. Quite el pasador (A).
2. Ajuste las ruedas a la anchura de vía necesaria.
3. Coloque el pasador en uno de los 4 orificios (B) del eje.
4. Bloquee el muelle de seguridad.

## Inicio del trabajo

Después de haber montado el cable y el taladro, el usuario debe fijar el cable al suelo.

1. Clave una estaca en el suelo.
2. Fije a la estaca la parte del cable que sale de la parte inferior de la guía.

## Uso de la guía para 2 cables

Si el producto se aleja del perímetro exterior del área de trabajo, es necesario colocar 2 cables al mismo tiempo.

1. Entierre 1 cable a lo largo de todo el perímetro. Consulte las figuras (A) y (B). (Fig. 45) (Fig. 46)
2. Cuando se encuentre en el punto que se muestra en la figura (C), coloque la rueda de soporte en la posición más alta para retirar la aleta de alimentación del suelo. Fije el cable con una estaca y continúe con el cable por encima del suelo hasta llegar al siguiente punto. (Fig. 47)
3. Fije el cable con una estaca en el punto que se muestra en la figura (D). (Fig. 48)
4. Coloque la aleta de alimentación a la profundidad de tendido de cable correcta y continúe enterrando el cable para crear la isla. Consulte la figura (E). (Fig. 49)

5. Cuando llegue al punto indicado en la figura (F), retire la estaca y limpie la aleta de alimentación. Consulte la sección *Limpieza de la aleta de alimentación en la página 122*. (Fig. 50)
6. Monte el cable en la guía del cable por encima del suelo. (Fig. 51)
7. Entierre los 2 cables al mismo tiempo en el punto indicado en la figura (G). Fije los 2 cables a una estaca y desconecte el segundo cable de la guía. (Fig. 52)
8. Continúe enterrando el cable perimetral hasta el punto que se muestra en la figura (H). (Fig. 53)

## Parada del producto

El producto se detiene automáticamente si no se utiliza durante 3 minutos.

1. Suelte el mando de la transmisión (A) para desacoplar la transmisión de las ruedas. (Fig. 37)
2. Suelte el mando de perforación para detener la perforación. (Fig. 17)
3. Pulse el botón de arranque/parada en el panel de control.
4. Pulse el botón de modo de espera en el panel de control.
5. Abra la tapa de la batería.
6. Retire la llave de seguridad de la cerradura de seguridad y colóquela en el soporte de la llave de seguridad.
7. Utilice el rascador para limpiar la aleta de alimentación. Consulte la sección *Limpieza de la aleta de alimentación en la página 122*.
8. Limpie y lubrique el cabezal del taladro después de cada uso. Consulte la sección *Limpieza y lubricación del cabezal del taladro en la página 122*.

---

# Mantenimiento

---

## Introducción



**ADVERTENCIA:** Antes de realizar cualquier trabajo de mantenimiento, debe leer y entender el capítulo sobre seguridad.

Para todos los trabajos de mantenimiento y reparación del producto, es necesario realizar una formación especial. Husqvarna garantiza que los trabajos de mantenimiento y reparación sean realizados por profesionales.

Para obtener información detallada, consulte [www.husqvarna.com](http://www.husqvarna.com).

## Programa de mantenimiento

Los intervalos de mantenimiento se calculan a partir del uso diario del producto. Los intervalos cambian si el producto no se utiliza a diario.

Para las tareas de mantenimiento, identificadas con \*, consulte *Dispositivos de seguridad en el producto en la página 116*.

	A cada uso	Mensual	Cada temporada
Realice una inspección general.	X		
Asegúrese de que los dispositivos de seguridad del producto no estén defectuosos*.	X		
Examine el taladro y la aleta de alimentación.	X		
Compruebe el mando de perforación*.	X		
Asegúrese de que el botón de encendido/apagado funciona correctamente y que no está defectuoso.	X		
Examine la batería en busca de posibles daños.	X		
Compruebe la carga de la batería.	X		
Asegúrese de que los botones de liberación de la batería funcionan correctamente y que esta se acopla al producto.	X		
Limpie las tomas de aire del motor. Asegúrese de que no haya hierba o suciedad en las tomas de aire.	X		
Lubrique las piezas no pintadas.	X		
Lubrique las piezas en las que el revestimiento de zinc esté desgastado.	X		
Limpie y lubrique el cabezal del taladro.	X		
Limpie la aleta de alimentación.	X		
Examine el cargador de la batería para ver si está dañado y asegúrese de que funciona correctamente.		X	
Examine las conexiones entre la batería y el producto. Examine también la conexión entre la batería y el cargador de batería.			X

## Limpieza de la aleta de alimentación

- Utilice el rascador para quitar la suciedad y limpiar la aleta de alimentación. (Fig. 54)

## Sustitución de la aleta de alimentación

1. Incline el producto hacia delante y colóquelo lentamente en el suelo.
2. Quite los 2 tornillos (A) y la aleta de alimentación (B). (Fig. 55)
3. Instale la aleta de alimentación nueva en orden inverso.

## Sustitución de la broca

1. Retire la hierba y la suciedad del producto.



**PRECAUCIÓN:** Asegúrese de que no entre tierra u otros materiales no deseados en el taladro durante el proceso de instalación de la broca.

**Nota:** Limpie y lubrique el alojamiento de la broca cada vez que termine el trabajo.

2. Retire el tornillo (A) del cabezal del taladro (B) y retire la broca (C). (Fig. 56)

**Nota:** Es necesaria una llave Allen de 6 mm para sustituir la broca.

3. Retire el tornillo largo (D) y la broca (E) del cabezal del taladro.
4. Coloque una nueva broca en el cabezal del taladro e instale el tornillo largo.
5. Instale el cabezal del taladro en el eje.
6. Apriete los tornillos.

## Limpieza y lubricación del cabezal del taladro

Limpie el cabezal del taladro completamente después de cada uso.

1. Incline el producto hacia delante y colóquelo lentamente en el suelo.
2. Elimine la hierba, la tierra y los materiales no deseados con un cepillo de cerdas suaves.
3. Utilice aire comprimido para eliminar las partículas más pequeñas de hierba y suciedad.
4. Retire el tornillo (A) del cabezal del taladro (B) y retire la broca (C). (Fig. 56)
5. Afloje los 2 tornillos (D) y retire la aleta de alimentación (E). (Fig. 57)
6. Retire el tornillo (F) y el cabezal del taladro (G) del eje (H). (Fig. 58)
7. Utilice aire comprimido para limpiar el producto. Asegúrese de eliminar toda la tierra, hierba y otros materiales no deseados.
8. Si es necesario, elimine la grasa sucia con un disolvente aprobado.
9. Limpie todos los componentes con un disolvente aprobado y lubríquelos.

10. Aplique grasa hidrófuga en el eje. (Fig. 59)

## Limpieza de la batería y el cargador de batería



**ADVERTENCIA:** No limpie la batería ni el cargador con agua.



**ADVERTENCIA:** No utilice sustancias químicas para limpiar la batería.

- Asegúrese de que la batería y el cargador estén limpios y secos antes de colocar la batería en el cargador.
- Limpie los bornes de la batería con aire comprimido o con un paño suave y seco.
- Limpie las superficies de la batería y el cargador con un paño suave y seco.

## Resolución de problemas

### Detección de averías

Si no puede encontrar una solución a sus problemas en este manual, hable con su taller de servicio de Husqvarna.

Problema	Causa
El motor no arranca.	La batería no está cargada.
	La batería no está instalada correctamente.
	La batería está defectuosa.
	El panel de control está defectuoso.
El taladro no gira.	La correa está desgastada.
	La correa se ha salido de las poleas.
	La palanca no ejerce suficiente tensión sobre la correa.
El taladro continúa girando cuando se suelta el mando de perforación.	El cable del mando de perforación está desgastado o dañado.
El producto no funciona correctamente.	El taladro está desgastado o dañado.
	El taladro no está instalado correctamente.
El producto no se mueve cuando se acciona el mando de la transmisión.	El cable del mando de la transmisión está desgastado o dañado.
	Las correas de transmisión están desgastadas.
	La cadena está rota o no tiene suficiente tensión.
	Los discos de embrague de la transmisión están desgastados.

Problema	Causa
El cabezal del taladro no se puede retirar.	Hay material no deseado en la unidad.
	El sistema está oxidado.
El aislamiento del cable introducido en la tierra está dañado.	El orificio de salida del cable de la aleta de alimentación está dañado.
	El tubo que contiene el cable y que forma parte de la aleta de alimentación está sucio.

## Batería

Indicador LED de la batería	Causa	Solución
El LED verde parpadea.	La tensión de la batería es baja.	Cargue la batería. Consulte la sección <i>Para cargar la batería en la página 119</i> .
El LED de error parpadea.	La batería está baja.	Cargue la batería. Consulte la sección <i>Batería en la página 124</i> .
	La temperatura en el entorno de trabajo es demasiado alta o demasiado baja.	Utilice la batería con temperaturas de entre -10 °C y 40 °C.
	Sobretensión.	Compruebe que la tensión de la red eléctrica es la misma que la que figura en la placa de características del producto.  Retire la batería del cargador. Espere 5 segundos y vuelva a intentar cargar la batería. Si el problema persiste, diríjase a un taller de servicio autorizado.
El LED de error está encendido.	La diferencia entre las celdas es demasiado grande (1 V).	Acuda a un taller de servicio autorizado.

## Cargador de baterías

LED del cargador de batería	Causa	Solución
El LED de error parpadea.	La temperatura en el entorno de trabajo es demasiado alta o demasiado baja.	Utilice el cargador de batería con temperaturas de entre 5 °C y 40 °C.
El LED de error está encendido.		Acuda a un taller de servicio autorizado.

## Panel de control

Código de error (número de destellos)	Posibles fallos	Procedimiento posible
5	El régimen del motor disminuye demasiado y el motor se detiene.	Limpie el cabezal del taladro y reduzca la profundidad de tendido del cable. Consulte <i>Limpieza y lubricación del cabezal del taladro en la página 122</i> y <i>Ajuste de la profundidad de tendido del cable en la página 120</i> . Si el error persiste, diríjase a un taller de servicio oficial.
8	La batería está baja.	Recargue la batería. Consulte la sección <i>Para cargar la batería en la página 119</i> .
9	Error de batería o ausencia de señal de la batería.	Coloque la batería en el producto correctamente y examine el conector de la batería. Si el LED de error de la batería parpadea, consulte <i>Batería en la página 124</i> .
10	El control del motor está demasiado caliente.	Detenga el motor y espere hasta que se haya enfriado.
Otros errores	Si se producen otros errores, retire la llave de seguridad y la batería, y diríjase a un taller de servicio oficial.	

## Transporte, almacenamiento y eliminación

### Introducción



**ADVERTENCIA:** Para evitar un arranque accidental durante el transporte, tire hacia arriba de la llave de seguridad, retire la batería y espere al menos 5 segundos.

### Transporte

- Las disposiciones de la legislación sobre mercancías peligrosas se aplican a las baterías de iones de litio incluidas en el producto.
- Para los transportes comerciales, se deben acatar los requisitos especiales sobre embalajes y etiquetas.
- Asegúrese de que se cumplan las disposiciones sobre materiales peligrosos cuando prepare el producto para su transporte. Se pueden aplicar las regulaciones locales.
- No olvide extraer la batería para el transporte.
- Coloque cinta aislante en los conectores de la batería y asegúrese de que la batería no se desplace durante el transporte.
- Fije el producto durante el transporte.

### Almacenamiento

- Antes de guardarlo, espere a que el producto se enfríe.
- Extraiga siempre la batería para el almacenamiento.
- Para evitar accidentes, asegúrese de que la batería no esté conectada al producto durante el almacenamiento.
- Mantenga el cargador de batería en un lugar cerrado y seco.
- Mantenga la batería y el cargador de batería en un lugar seco donde no haya humedad ni escarcha.
- Cuando guarde la batería, desconéctela del cargador.
- No almacene la batería en lugares donde pueda generarse electricidad estática. No guarde la batería en una caja metálica.
- Cuando guarde el producto, hágalo en un lugar con una temperatura ambiente comprendida entre -10 °C y 40 °C.
- Guarde la batería en un lugar con una temperatura ambiente comprendida entre 5 °C y 25 °C, y protegida de la luz solar.
- Guarde el cargador de la batería en un lugar con una temperatura ambiente comprendida entre 5 °C y 45 °C, y protegido de la luz solar.
- Asegúrese de que la batería esté cargada al 30 %-50 % antes de guardarla durante largos periodos de tiempo.

- Mantenga el producto, la batería y cargador de batería en un lugar bajo llave fuera del alcance de los niños y de personas sin autorización.
- Limpie el producto.
- Lleve a cabo las tareas de mantenimiento que se indican en este manual de usuario. Consulte la sección *Programa de mantenimiento en la página 121*.
- Realice un mantenimiento completo del producto antes de guardarlo durante un largo período de tiempo.

residuo doméstico. Debe enviarse a una estación de reciclaje apropiada para la recuperación de piezas eléctricas y electrónicas.

Si se asegura de que se trata este producto correctamente, puede ayudar a contrarrestar el posible impacto negativo para el medio ambiente y las personas que podría darse por una gestión incorrecta de los residuos del mismo. Si desea información más detallada sobre el reciclaje de este producto, póngase en contacto con su ayuntamiento, el servicio de recogida de basuras o la tienda donde lo adquirió.

(Fig. 60)

## Eliminación

Los símbolos del producto o del embalaje del producto indican que este producto no puede desecharse como

## Datos técnicos

<b>Motor de perforación</b>	
Tipo de motor	BLDC (sin escobillas) 36 V
Régimen del motor - nominal, rpm	3000/min.
Régimen del motor - carga alta, rpm	3300/min.
Régimen del motor - máximo, kW	1,8
Potencia del motor - nominal, kW	1,2
Transmisión	Caja de engranajes en baño de aceite mecánica
Embrague	De correa, con pulea
<b>Peso</b>	
Peso sin batería, kg	39
Peso incluidas 2 BLi300, kg	43
<b>Batería</b>	
Tipo de batería	Serie de baterías Husqvarna
<b>Duración de la batería</b>	
Duración de la batería, min. <sup>25</sup>	38
<b>Emisiones de ruido</b> <sup>26</sup>	
Nivel de potencia acústica, L <sub>WA</sub> dB (A) medido	84
Nivel de potencia acústica garantizado L <sub>WA</sub> dB(A)	86
<b>Niveles acústicos</b> <sup>27</sup>	
Nivel de presión sonora en el oído del usuario, dB(A)	66

<sup>25</sup> Funcionamiento continuo, medido con el modo estándar activado y 1 batería Husqvarna de 9.4 Ah (BLi300).

<sup>26</sup> Emisiones sonoras en el entorno medidas como potencia acústica (L<sub>WA</sub>) según la directiva 2000/14/CE.

<sup>27</sup> Los datos referidos del nivel de presión sonora tienen una dispersión estadística habitual (desviación típica) de 1,2 dB (A).

<b>Niveles de vibración <sup>28</sup></b>	
Manillar, m/s <sup>2</sup>	1,8
<b>Equipo de tendido de cable</b>	
Profundidad de tendido del cable, cm	1–6
Distancia entre el taladro y el borde de la rueda, mm	250, 270, 290, 310
Taladro	597 04 84-01

<b>Baterías homologadas</b>	<b>Marca</b>	<b>Tipo</b>	<b>Capacidad de la batería, Ah</b>	<b>Tensión, V</b>	<b>Peso, lb/kg</b>
BLi300	Husqvarna	Iones de litio	9,4	36	4,1/1,9

<b>Cargadores de baterías homologados para las baterías especificadas, BLi</b>	<b>Marca</b>	<b>Tensión de entrada, V</b>	<b>Frecuencia, Hz</b>	<b>Potencia, W</b>
QC500	Husqvarna	100–240	50–60	500

<sup>28</sup> Los datos referidos del nivel de vibración poseen una dispersión estadística habitual (desviación típica) de 0,2 m/s<sup>2</sup>. Norma de vibraciones EN 1032+A1:2009.

---

## Declaración de conformidad

---

### Declaración de conformidad CE

Nosotros, **Husqvarna AB**, SE-561 82 Huskvarna (Suecia), tel. +46-36-146500, declaramos bajo nuestra exclusiva responsabilidad que el producto:

<b>Descripción</b>	Equipo para tendido de cables
<b>Marca</b>	Husqvarna
<b>Tipo/Modelo</b>	CL400i
<b>Identificación</b>	Números de serie a partir del año 2022

Cumple las siguientes directivas y normas de la UE:

<b>Norma</b>	<b>Descripción</b>
2006/42/CE	"relativa a las máquinas"
2014/30/UE	"relativa a la compatibilidad electromagnética"
2011/65/UE	"relativa a restricciones de utilización de determinadas sustancias peligrosas en aparatos eléctricos y electrónicos"

Y que se aplican las especificaciones técnicas o los estándares siguientes: EN ISO 12100:2010, EN ISO 14119:2013, EN ISO 14120:2015, EN ISO 13857:2019, EN 62841-1:2015+AC:2015, EN ISO 11202:2010, EN 1032:2009, EN 55014-1:2017, EN 55014-2:2015, EN 63000:2018.

Para obtener información respecto a las emisiones sonoras, consulte *Datos técnicos en la página 126*.

Huskvarna, 2022-03-21



Claes Losdal, Director de desarrollo/Productos para jardín, Husqvarna AB

Responsable de la documentación técnica





---

## Sisukord

---

Sissejuhatus.....	129	Veaotsing.....	139
Ohutus.....	130	Transportimine, hoiulepanek ja utiliseerimine.....	141
Kokkupanek.....	134	Tehnilised andmed.....	141
Töö.....	134	Vastavusdeklaratsioon.....	143
Hooldamine.....	137		

---

## Sissejuhatus

---

### Seadme kirjeldus

See toode on lükatav kaablipaigaldusseade.

### Toote tutvustus

(Joon. 1)

1. Puurimise juhtraud
2. Kallutusjuhtraud
3. Veo käepide
4. Loendur
5. Kaablikerija
6. Paigalduskiil
7. Puur
8. Juhtpaneel
9. Ohutusüliti
10. Aku (lisatarvik)
11. Akulaadija (lisatarvik)
12. Kasutusjuhend

### Sümbolid tootel

(Joon. 2) HOIATUS!

(Joon. 3) Hoiatus! Pöörlevad osad. Hoidke käed ja jalad eemal.

(Joon. 4) Olge ettevaatlik – lenduvate esemete ning tagasipõrkumise oht.

(Joon. 5) Lugege läbi juhised.

(Joon. 6) Teised inimesed ja loomad peavad viibima tööalast ohutus kauguses.

(Joon. 7) Juuresolijatele silmavigastuste tekitamise oht.

(Joon. 8) Ärge jätke vihma kätte.

(Joon. 9) Kasutage kaitsevisiiri.

(Joon. 10) Ooterežiim (must nupp).

### Kasutusotstarve

Kasutage toodet, et paigaldada pinnasesse robotniidukite piirdekaablit ja juhtkaablit. Ärge kasutage toodet muude tööde tegemiseks.

(Joon. 10) Mootori käivitamine ja seiskamine (punane nupp).

(Joon. 11) Toode või toote pakend ei kuulu olmejäätmete hulka. Toimetage see elektri- ja elektroonikajäätmete vastuvõtupunkti.

(Joon. 12) See toode vastab kehtivatele EÜ direktiividele.

(Joon. 13) See toode vastab kehtivatele UK direktiividele.

(Joon. 14) Mürareguleerimisele viitav keskkonnasilt vastavalt ELi ja UK direktiividele ja määrustele ja Uus Lõuna-Walesi õigusaktile „Protection of the Environment Operations (Noise Control) Regulation 2017“. Toote garanteeritud helivõimsuse taseme andmed leiatakse jaotisest *Tehnilised andmed lk 141* ja sildil.

(Joon. 15) Toode on pritsmekindel.

---

**Märkus:** Ülejäänud seadmel toodud sümbolid/ tähised vastavad teatud riikides kehtivatele sertifitseerimisnõuetele.

---

### Toote kahjustused

Me ei vastuta meie tootele tekitatud kahjude eest, kui:

- toodet on valesti parandatud;
- toote parandamisel on kasutatud osi, mis ei ole tootja poolt valmistatud või heaks kiidetud;
- tootel on kasutatud tarvikut, mis ei ole tootja poolt valmistatud või heaks kiidetud;

- toodet ei ole parandatud volitatud hoolduskeskuses või volitatud isiku poolt.

## Ohutus

### Ohutuse määratlused

Mõistetega „hoiatus“, „ettevaatust“ ja „märkus“ juhitakse tähelepanu eriti olulistele kohtadele kasutusjuhendis.



**HOIATUS:** Tähistab kasutusjuhendi juhiste eiramise korral kasutaja või kõrvalseisjate kehavigastuse või surmaga lõppeva õnnetuse ohtu.



**ETTEVAATUST:** Tähistab kasutusjuhendi juhiste eiramise korral seadme, muude esemete või läheduses asuvate objektide kahjustamise ohtu.

**Märkus:** Tähistab antud olukorras vajalikku lisateavet.

### Üldised tooteohutuse hoiatused



**HOIATUS:** Lugege läbi kõik tootega kaasas olevad hoiatused, juhised, tehnilised andmed ning tutvuge joonistega. Alltoodud juhiste eiramine võib põhjustada elektrilöögi, tulekahju ja/või ohtliku kehavigastuse.

**Hoidke kõik ohutuslased märkused ja juhised edasiseks kasutamiseks alles.** Hoiatustes kasutatud mõiste „toode“ tähistab võrgutoitel (juhtmega) elektritööriista või akutoitel (juhtmata) elektritööriista.

### Tööala ohutus

- **Hoidke tööala puhas ja tagage hea valgustus.** Segamine või hämarad alad on õnnetuseallid.
- **Ärge kasutage toodet plahvatusohtlikus keskkonnas, näiteks tuleohtlike vedelike, gaaside või tolmu läheduses.** Toode võib tekitada sädemeid, mis võivad tolmu või aurd sүүdata.
- **Hoidke toote kasutamise ajal lapsed ja kõrvalseisjad tööalast eemale.** Tähelepanu hajumine võib põhjustada kontrolli kaotamist.

### Elektriohutus

- **Elektritööriista pistikud peavad pistikupesaga ühilduma. Ärge muutke pistikut mis tahes viisil. Ärge kasutage maandusega toodete puhul adapterpistikuid.** Muutmata pistikud ja sobivad pistikupesad vähendavad elektrilöögi ohtu.
- **Välti kehalist kokkupuudet maandatud pindadega (nt torud, radiaatorid, elektripliidid ja külmikud).** Keha maandamise korral on elektrilöögi oht suurem.

- **Ärge laske toodetel kokku puutuda vihma ega niiskusega.** Toote sisse tunginud vesi suurendab elektrilöögi ohtu.
- **Kasutage juhete õigesti. Ärge kunagi kasutage kaablit toote kandmiseks, tõmbamiseks või pistikupesast eemaldamiseks. Kaitske juhete kuumuse, õli, teravate servade ja liikuvate osade eest.** Kahjustatud või sõlmes juhe suurendab elektrilöögi ohtu.
- **Tootega õues töötamisel kasutage välistingimustes kasutamiseks sobivat pikendusjuhet.** Välistingimustes kasutamiseks sobiva pikendusjuhtme kasutamine vähendab elektrilöögi ohtu.
- **Kui toote kasutamine niiskes keskkonnas on vältimatu, kasutage rikkevoolukaitsmega (RCD) kaitstud toidete. RCD kasutamine vähendab elektrilöögi ohtu.**

### Inimeste kaitsmine

- **Olge toote kasutamisel tähelepanelik, jälgige oma tegevust ja kasutage tervet mõistust. Ärge kasutage toodet, kui olete väsinud või uimasste, alkoholi või ravimite mõju all.** Hetkeline tähelepanematus toote kasutamise ajal võib lõppeda raskete kehavigastustega.
- **Kasuta isikukaitsesevahendeid. Kasutage alati kaitseprille.** Asjakohastes tingimustes kaitsevahendite (nt tolmumask, mittelibiisevad turvajalatsid, kiiver või kõrvaklapid) kasutamine vähendab kehavigastuste ohtu.
- **Vältige soovimatut käivitumist. Enne toote ühendamist toiteallika ja/või akuga, üles tõstmist või kandmist veenduge, et lüliti oleks väljalülitatud asendis.** Kui kannate toodet nii, et sõrm on toitelüliti, või ühendate toote vooluvõrku, kui toitelüliti on sisse lülitatud, võib see lõppeda õnnetusega.
- **Eemaldage enne seadme sisselülitamist kõik reguleerimis- ja mutrivõtmed.** Seadme pöörleva osa külge jäetud mutri- või muu võti võib tekitada kehavigastusi.
- **Ärge küünitage liiga kaugemale. Säilitage kogu aeg kindel jalgealune ja tasakaal.** See tagab ootamatutes olukordades seadme üle parema kontrolli.
- **Kandke nõuetekohaseid riideid. Ärge kandke lahtiseid rõivaid ega ehteid. Hoidke juuksed ja rõivad liikuvatest osadest eemal.** Lahtised rõivad, ehted või pikad juuksed võivad liikuvate osade vahele kinni jääda.
- **Kui seadmel on ühendus tolmuemaldus- ja kogumisseadmete jaoks, veenduge, et need on ühendatud ja neid kasutatakse õigesti.** Tolmukogumise kasutamise abil saab vähendada tolmu seotud ohte.

- **Ärge muutuge tööriistade sagedasest kasutusest hooletuks ning ärge eirake tööriistade ohutu kasutamise põhimõtteid.** Hooletu tegevus võib ka murdosa sekundi jooksul põhjustada tõsiseid kehavigastusi.

## Toote kasutamine ja hooldamine

- **Ärge koormake toodet üle. Kasutage rakenduse jaoks õiget toodet.** Õige toote teeb töö ära paremini, ohutumalt ja ettenähtud kiirusel.
- **Ärge kasutage toodet, kui see lüüti vajutamisel ei lülitu sisse ega välja.** Mis tahes toode, mida pole võimalik lülitil abil juhtida, on ohtlik ja tuleb viivitamatult parandada.
- **Enne toote reguleerimist, tarvikute vahetamist või hoiustamist eemaldage pistik toiteallikast ja/või eemaldage toote küljest aku, kui see on eemaldatav.** Taolised ennetavad ohutusmeetmed vähendavad toote tahtmatu käivitamise ohtu.
- **Hoidke toodet, mida te parasjagu ei kasuta, lastele kättesaamatus kohas ning ärge lubage toodet kasutada isikutel, kes ei oska seda kasutada või pole neid juhiseid läbi lugenud.** Toodet on väljaõppeta kasutajate käes ohtlikud.
- **Hooldage tooteid ja lisatarvikuid. Kontrollige liikuvate osade joondust ja kinnitusi, osade purunemist või muid toote kasutamist mõjutada võivaid tegureid. Kahjustuse korral laske seade enne kasutamist remontida.** Paljude õnnetuste põhjuseks on toote puudulik hooldus.
- **Hoidke lõikevahendid teravad ja puhtad.** Nüuetekohaselt hooldatud teravate lõikeservadega lõikevahendite kinnikiilumise tõenäosus on väiksem ja neid on hõlpsam juhtida.
- **Järgige toote, tarvikute, tööriistaotsakute jm kasutamisel neid juhiseid ning arvestage töötingimuste ja -ülesandega.** Toote kasutamine muuks kui ettenähtud otstarbeks võib põhjustada ohtliku olukorra.
- **Hoidke käepidemed ja haardepinnad kuivad, puhtad ning õli- ja määrdevabad.** Libedate käepidemete ja haardepindade korral ei ole ootamatutes olukordades võimalik toodet ohutult käsitseda ja juhtida.

## Teenus

- **Laske toodet hooldada kvalifitseeritud remonditehnikul, kasutades ainult identseid varuosi.** See tagab toote ohutuse säilimise.
- **Ärge kunagi hooldage kahjustatud akusid.** Akusid võib hooldada üksnes tootja või volitatud teenusepakkuja.

## Akutööriistade kasutamine ja hooldamine

- **Kasutage laadimiseks ainult tootja soovitatud laadijat.** Ühte tüüpi aku laadimiseks sobiv laadija võib koos teist tüüpi akuga kasutades tuleohtu põhjustada.

- **Kasutage toodetega vaid spetsiaalselt neile loodud akusid.** Teisi akukogumeid kasutades riskite vigastuste ja tulekahjuga.
- **Kui akud pole hetkel kasutuses, hoidke seda eemal teistest metallesemetest (nt kirjakiambriid, mündid, võtmed, naelad, kruvid vms väiksed metallesemed), mis võiksid akuklemme omavahel ühendada.** Akuklemmide lühistamine võib põhjustada põletushaavu või tulekahju.
- **Väärkasutamise korral võib akust vedelikku lekkida; vältige kokkupuudet.** Kokkupuute korral loputage kannatada saanud kohta veega. Kui vedelik satub silma, loputage silma veega ja pöörduge arsti poole. Akust lekkinud vedelik võib põhjustada ärritust või põletushaavu.
- **Ärge kasutage defektset või muudetud akut või tööriista.** Kahjustatud või muudetud akud võivad käituda ettearvamatu ning põhjustada tule-, plahvatus- või vigastusohu.
- **Ärge laske akul või tööriistal puutuda kokku tulega või liiga kõrgete temperatuuridega.** Kokkupuude üle 130 °C temperatuuriga võib põhjustada plahvatuse.
- **Järgige kõiki laadimisjuhiseid ja ärge vahetage akut või tööriista temperatuuril, mis jääb väljapoole juhistes kirjeldatud temperatuurivahemikku.** Aku laadimise valesi või väljaspool selleks ettenähtud temperatuurivahemikku võib akut kahjustada ja suurendada tuleohtu.

## Üldised ohutuseeskirjad



**HOIATUS:** Enne toote kasutamist lugege läbi järgmised hoiatused.

- Seade on ohtlik, kui seda kasutada valesi või ettevaatamatult. Ohutuseeskirjade eiramine võib põhjustada kehavigastuse või surma.
- Toode tekitab töötades elektromagnetvälja. Teatud tingimustel võib väli häirida aktiivsete või passiivsete meditsiiniliste implantaatide tööd. Raskete või surmaga lõppevate kehavigastuste ohtu vähendamiseks soovime meditsiinilisi implantaate kasutataval inimestel pidada enne selle seadme kasutamist nõu oma arsti ja implantaadi valmistajaga.
- Olge alati ettevaatlik ja toimige arukalt. Kui te pole kindel, kuidas toodet eriolukorras kasutada, lõpetage töö ja pidage enne jätkamist nõu Husqvarna edasimüüjaga.
- Arvestage, et teiste isikute ja nende varaga seotud õnnetuste korral kannab vastutust seadme kasutaja.
- Hoidke seade puhas. Veenduge, et märgid ja tähised oleksid selgelt loetavad.
- Ärge kunagi lubage lastel või nende juhistega mittetutvunud inimestel seadet kasutada. Kohalikud kehtivad eeskirjad võivad piirata kasutaja lubatud vanust.
- Kui seadet kasutab piiratud füüsiliste või vaimsete võimetega isik, peab ta olema kogu aeg järelevalve

all. Vastutusvõimeline täiskasvanu peab kogu aeg kasutaja juures viibima.

- Ärge kasutage toodet, kui olete väsinud, haige või tarvitanud alkoholi, narkootikume või ravimeid. Sellel on negatiivne mõju teie nägemisele, tähelepanuvõimele, liikumisele ja otsustamisvõimele.
- Ärge kasutage toodet, kui see on kahjustatud või ei tööta korralikult.
- Ärge muutke seadet, nii et see ei vasta enam tehase originaalmudelile; ärge kasutage seadet, kui arvate, et seda on muutnud keegi teine.

## Tööohutus



**HOIATUS:** Enne toote kasutamist loe läbi järgnevad hoiatused.

- Kasutage toodet, et paigaldada pinnasesse robotniidukite piirdekaabel ja juhtkaabel. Ärge kasutage toodet muude tööde tegemiseks.
- Kasuta isikukaitsevahendeid. Vt jaotist *Isikukaitsevahendid lk 132*.
- Veenduge, et teate, kuidas hädaolukorras mootorit kiiresti seisata.
- Toodet ei tohi kasutada vihma käes või märjas keskkonnas. Toote sisse pääsenud vesi suurendab elektrilöögi ohtu.
- Ärge kasutage toodet enne, kui puur ja katted on õigesti kinnitatud. Valesti kinnitatud puur võib lahti tulla ja inimesi vigastada.
- Enne toote kasutamist eemaldage tööalalt oksad ja kivid.
- Kaablipaigalduseseadmega kokku puutuvad esemed võivad õhku paiskuda ning inimesi vigastada ja esemeid kahjustada. Juuresolijad ja loomad peavad viibima tootest ohutus kauguses.
- Ärge kasutage toodet halva ilmaga, näiteks udu, vihma, tugeva tuule, tugeva pakase ja pikseohu korral. Toote kasutamine halva ilma ning niiskete ja märgade tingimuste korral on väsitav. Halb ilm võib põhjustada ohtlikke tingimusi (nt libedaid pindu).
- Suhtuge tähelepanelikult inimestesse, esemetesse ja olukordadesse, mis võivad takistada toote ohutut kasutamist.
- Olge ettevaatlik takistuste (nt juurte, kivide, oksade, aukude ja kraavide) suhtes. Kõrge rohi võib peita takistusi.
- Ärge kasutage toodet alal, mille kalle ületab 15°.
- Kaldpinnal suunda muuttes olge äärmiselt ettevaatlik. Kasutage toodet kallakul risti liikudes. Ärge liiugke üles ja alla.
- Olge ettevaatlik varjatud nurkade ja vaatevälja varjavate esemete läheduses.
- Veenduge, et puur ei puutuks kokku esemetega (nt kivide ja juurtega). See võib puuri kahjustada ja põhjustada mootori võlli väändumist. Paindega mootori võll põhjustab tugevat vibratsiooni ja suurt puuri lahtitulemise ohtu.

- Kui puur puutub kokku mõne esemega või esineb vibratsioon, peatage toode viivitamatult. Seisake mootor, tõmmake ohutuslüli üles ja eemaldage aku. Oodake, kuni liikuvad osad peatuvad. Kontrollige toodet kahjustuste suhtes. Kinnitage lahtised osad korralikult. Parandage kahjustused ja asendage kahjustatud osad. Laske parandustöid teha volitatud hooldustöökojas.
- Ärge kinnitage puurimise juhtrauda püsivalt käepideme külge, kui mootor on käivitatud.
- Asetage toode stabiilsele ja tasasele pinnale ning käivitage see.
- Olge toote kasutamisel alati toote taga.
- Toote kasutamisel hoidke mõlema käega käepidemest ja kõik toote rattad maas.
- Hoidke käded ja jalad pöörlevast puurist eemal.
- Vältige mootori käivitamisel või toote kasutamisel toote kallutamist.
- Olge toote tagasisuunas tõmbamisel ettevaatlik.
- Kui mootor on käivitatud, ärge tõstke toodet. Kui teil on vaja toode üles tõsta, seisake esmalt mootor, lükake ohutuslüli ülemisse asendisse ja eemaldage aku.
- Ärge kõndige toote kasutamise ajal tagurpidi.
- Vabastage puurimise juhtraud puuri seiskamiseks, kui toodet on vaja transportimiseks kallutada.
- Ärge lükake toodet joostes, kui mootor on käivitatud. Toote kasutamise ajal kõndige.
- Enne kaabli paigaldussügavuse muutmist seisake mootor. Ärge reguleerige seadet, kui mootor töötab.
- Ärge laske toodet silmist, kui mootor töötab. Seisake mootor ja veenduge, et puur ei pöörleks.
- Toote kasutamise ajal esinev vibratsioon võib jaotises *Tehnilised andmed lk 141* esitatud vibratsiooniväärtustest erineda. Erinevus tuleneb toote erinevatest kasutusviisidest. Kui kasutate toodet sageli või kaua aega, tehke regulaarselt pause, et vältida vibratsioonist tingitud vigastusi.

## Ohutusjuhised kasutamisel

Enne seadme kasutamist lugege läbi järgnevad juhised.

- Kontrollige, kas kaablijuhikul olev kaabel on terve.
  - Veenduge, et paigalduskiilu toru on terve. Vahetage toru välja, kui see on kulunud või kahjustatud.
- (Joon. 16)
- Veenduge, et ava ümber olev serv poleks terav ega kahjustatud. Vahetage kaablijuhik kahjustuste korral välja.
  - Veenduge, et kõik kruvid oleksid kinni keeratud.
  - Veenduge, et kõik hoovad oleksid neutraalasendis.

## Isikukaitsevahendid



**HOIATUS:** Enne toote kasutamist loe läbi järgnevad hoiatused.

- Isikukaitsevarustus ei välista täielikult kehavigastuste ohtu, kuid vähendab õnnetusjuhtumi korral kehavigastuse raskusastet. Õige varustuse valimiseks pöörduge edasimüüja poole.
- Kandke vastupidavaid saapaid või jalatseid, mis on libisemiskindlad. Ärge kandke avatud jalatseid ega olge paljajalu.
- Kandke tugevaid pikki pükse.
- Vajaduse korral kandke kaitsekindaid, näiteks kaablipaigaldustarvikuid kinnitades, kontrollides või puhastades.
- Soovitame kasutada kuuliskaitset.
- Ärge kasutage mittelaetavaid akusid.
- Elektrilöögi oht. Ärge ühendage akuklemme võtmete, müntide, kruvide või muude metallesemetega. See võib tekitada akusid lühiseid.
- Ärge asetage esemeid aku õhuavade sisse ja ette.
- Vältige aku kokkupuudet otsese päikesevalguse, kuumuse ja lahtise leegiga. Aku võib plahvatada ja põhjustada põletusi ja/või keemilisi põletusi.
- Vältige aku kokkupuudet vihma ja märja keskkonnaga.
- Vältige aku kokkupuudet mikrolainete ja kõrgsurvega.
- Ärge demonteerige ega lõhkuge akut.
- Aku lekke korral vältige vedeliku kokkupuudet keha ja silmadega. Kui vedelik satub kehale, puhastage kokkupuutunud ala rohke veega ja seejärel pöörduge arsti poole.
- Kasutage toote akut üksnes juhul, kui õhutemperatuur on vahemikus 5 °C kuni 40 °C.
- Kasutage akulaadijat üksnes juhul, kui õhutemperatuur on vahemikus 5 °C kuni 40 °C.
- Akut ei laeta, kui aku temperatuur on üle 50 °C.
- Ärge puhastage akut või akulaadijat veega. Vt jaotisest *Aku ja akulaadija puhastamine lk 139*.
- Ärge kasutage kahjustatud akut.
- Ladustage akusid metallesemetest (nt naelad, mündid, ehted) eemal.

## Toote ohutusseadised



**HOIATUS:** Enne toote kasutamist lugege läbi järgmised hoiatused.

- Ärge kasutage toodet, mille ohutusseadmed on kahjustatud või ei tööta korralikult.
- Ärge eemaldage ohutusseadmeid ega tehke neis muudatusi.
- Kontrollige ohutusseadiseid regulaarselt. Kui ohutusseadmed on kahjustatud või ei tööta korralikult, pöörduge Husqvarna hooldustöökoja poole.

## Ohutuslüüti

Ohutuslüüti asub akukaane all. Ohutuslüüti abil ühendatakse aku, mis varustab mootori toitega.

### Ohutuslüüti kontrollimine

Ohutuslüüti abil ühendatakse aku, mis varustab mootori toitega.

- Käivitage ja seisake mootor. Kui ohutuslüüti on töökorras, siis käivitub mootor üksnes ohutuslüüti on turvalukus

## Puurimise juhtraud

Puurimise juhtraud ei puuri. Kui puurimise juhtraud vabastatakse, siis puurimine seisatakse.

Puurimise juhtraua kontrollimiseks käivitage mootor ja seejärel vabastage puurimise juhtraud. Kui puur ei seisku 3 sekundi jooksul, pöörduge volitatud Husqvarna hooldustöökoja poole.

(Joon. 17)

## Aku ohutus



**HOIATUS:** Enne toote kasutamist lugege läbi järgmised hoiatused.

- Kasutage seotud Husqvarna toodete toiteallikana alati üksnes Husqvarna taaslaetavaid akusid. Kehavigastuse vältimiseks ärge kasutage akut muude seadmete toiteallikana.

## Akulaadija ohutus



**HOIATUS:** Enne toote kasutamist lugege läbi järgmised hoiatused.

- Kasutage Husqvarna asendusakude laadimiseks ainult QC akulaadijaid.
- Elektrilöögi ja lühise oht. Ärge asetage esemeid laadija õhuavade sisse ja ette. Ärge püüdke akulaadijat lahti monteerida. Ärge ühendage laadija klemme metallesemete külge. Kasutage heakskiidetud võrgupistikupesaga.
- Toode tekitab töötades elektromagnetvälja. Teatud tingimustel võib väli häirida aktiivsete või passiivsete meditsiiniliste implantaatide tööd. Raskete või surmaga lõppevate kahjustuste ohtu vähendamiseks soovitame meditsiinilisi implantaate kasutavatel inimestel pidada enne selle toote kasutamist nõu oma arsti ja implantaadi valmistajaga.
- Kontrollige regulaarselt, kas akulaadija toitejuhe on kahjustatud saanud ja kas sellel on pragusid.
- Ärge tõstke akulaadijat toitejuhtemest hoides. Akulaadija võrgupistikupesast lahutamiseks tõmmake pistikut. Ärge tõmmake toitejuhet.
- Vältige toitejuhtme ja pikendusjuhtme kokkupuudet vee, õli ja teravate servadega. Jälgige, et juhe ei jääks uste, väravate jms vahele. See võib põhjustada laadija sattumise pingele alla.
- Ärge puhastage akulaadijat veega.

- Akulaadidat võivad kasutada lapsed alates 8. eluaastast ja isikud, kellel on vähenenud füüsilised, sensoorsed või vaimsed võimed või puudulikud teadmised ja kogemused, kui neid jälgib või juhendab vastutav isik, kes tagab, et nad kasutavad akulaadidat ohutult ning mõistavad seotud ohtusid. Lapsed ei tohi akulaadijaga mängida. Lapsed ei tohi seadet ilma järelevalveta puhastada ega hooldada.
- Ärge laadige akulaadijas mittelaetavaid akusid.
- Ärge kasutage akulaadidat tuleohtlike või korrosiooni tekitavate materjalide läheduses. Ärge katke akulaadidat. Suitsu või tule tekke korral eemaldage pistik akulaadijast.
- Ärge kasutage kahjustatud akulaadidat.
- Laadige akut ainult hea õhuvahetusega siseruumis ja päikesevalguse eest kaitstuna. Ärge laadige akut märjas keskkonnas.
- Enne seadme hooldustööde alustamist eemaldage ohutusüliliit.
- Toote kasutusea tõstmiseks ja õnnetuste ohu vähendamiseks tehke kõik hooldustööd korrektselt. Laske professionaalsed parandustööd teha volitatud hooldustöökojas. Lisateavet küsige lähimast hooldustöökojast.
- Hooldage toodet ainult selle kasutusjuhendi järgi.
- Kasutage tugevaid kindaid, kui katsute kaablipaigaldustarvikuid.
- Parima ja ohutuma töö tagamiseks hoidke toodet puhtana.
- Laske hooldustöökojas toodet korrapäraselt kontrollida ning teha vajalikke seadistamisi ja parandusi.
- Asendage kahjustatud, kulunud ja katkised osad.
- Järgige tarvikute vahetamise juhiseid. Kasutage ainult tootja valmistatud tarvikuid.
- Kui toodet ei kasutata, eraldage toode, aku ja akulaadija ning hoidke neid kuivas ja lukustatud siseruumis. Veenduge, et lastel ja ilma vastava volitusega kõrvalistel isikutel puuduks juurdepääs tootele, akule ja akulaadijale.

## Ohutusjuhised hooldamisel



**HOIATUS:** Enne toote kasutamist loe läbi järgnevad hoiatused.

## Kokkupanek

### Sissejuhatus



**HOIATUS:** Enne toote kokkupanekut lugege ohutuspeatükki ja tehke selles olev teave endale arusaadavaks.

### Puuri paigaldamiseks

1. Asetage puur (A) puuripeasse (B) ja keerake pikk kruvi (C) paika. (Joon. 18)

**Märkus:** Puuri paigaldamiseks on vajalik 6 mm kuuskantvõti.

2. Paigaldage puuripea lühikese kruviga (E) völli (D).
3. Pingutage kruvisid.

### Kaabli paigaldamiseks

Tootel on eemaldatav siduriga kaablikerija.

1. Pange kaabel kaablikerijale. Kasutage kaablikerija päripäeva keeramiseks nuppu.

**Märkus:** Kaabel peab olema kaablikerijale paigaldatud päripäeva nii, et see keriks töö ajal sujuvalt maha. (Joon. 19)

2. Suruge kaabel paigalduskiilu (A) torusse, kuni kaabel ulatub alt (B) umbes 5 cm ulatuses välja. (Joon. 20)

### Kaablikerija paigaldamine ja eemaldamine.

1. Keerake nupp (A) lahti. (Joon. 21)
2. Eemaldage kinnitus (B).
3. Eemaldage kaablikerija (C).
4. Paigaldage kaablikerija (D). Vajaduse korral kasutage adapterit. (Joon. 22)
5. Paigaldage kinnitus (E) ja pingutage nuppu (F).

## Töö

### Sissejuhatus



**HOIATUS:** Enne seadme kasutamist lugege põhjalikult läbi ohutuspuudutat jaotis.

### Husqvarna Fleet Services™

Husqvarna Fleet Services™ on pilvlahendus, mis annab kasutajale ülevaate kõigist ühendatud toodetest. Sellele saab paigaldada Husqvarna Fleet Services™ anduri. Husqvarna Fleet Services™ andur kogub tooteandmeid ja võimaldab Husqvarna Fleet Services™ süsteemiga ühendada. Husqvarna Fleet Services™ süsteem teavitab andmetest, nagu töötamise aeg, hooldusvahemikud ja toote asukoht.

Lisateabe saamiseks Husqvarna Fleet Services™ kohta, laadige alla rakendus Husqvarna Fleet Services™ või võtke ühendust Husqvarna esindajaga.

## Anduri ettevalmistamine (lisatarvik)

1. Kasutage andurivõtit andurikaane avamiseks. (Joon. 23)
2. Eemaldage andur.
3. Kinnitage aku anduri külge. Anduri LED-tuli süttib. (Joon. 24)
4. Rakenduse Husqvarna Fleet Services™ allalaadimine.
5. Logige rakendusse Husqvarna Fleet Services™ sisse.
6. Sidumistoiming Vt jaotist *Sidumistoiming rakenduse ja toote vahel. lk 135*

## Sidumistoiming rakenduse ja toote vahel.

1. Logige rakendusse Husqvarna Fleet Services™ sisse.
2. Valige rakenduses toode.
3. Oma mobiiliseadmega skannige anduritagust koodi, et paigaldada andur rakendusse.

**Märkus:** Sidumistoimingut rakenduse ja toote vahel peab tegema vaid korra.

## Anduri paigaldamine

1. Veenduge, et andur on ühendatud rakendusega Husqvarna Fleet Services™. Vt jaotist *Sidumistoiming rakenduse ja toote vahel. lk 135.*
2. Puurige kaks ava kinnituspesa juures olevate märkide juurde. (Joon. 25)

**Märkus:** Veenduge, et avad on anduriga kaasasolevate neetidele vastavate diameetritega.

3. Kasutage tange, et eemaldada anduripesa välimised avad. (Joon. 26)
4. Puurige kaks ava anduripesa juures olevate märkide juurde. (Joon. 27)
5. Joondage anduripesa kinnituspesaga. (Joon. 28)
6. Kinnitage anduripesa neetidega.
7. Paigaldage andur anduripesa. Joondage anduril olev valge märk märgiga anduripesal. (Joon. 29)
8. Sulgege anduri kaas ja lukustage see andurivõtmega. Veenduge et "H" Husqvarna ülemine osa jääb ohutuslüli suhtes teise suunda. (Joon. 30)

## Aku



**HOIATUS:** Enne aku kasutamist lugege läbi ohutust puudutav jaotis ja veenduge, et oleksite kõigest aru saanud. Samuti tuleb

läbi lugeda aku ja akulaadija kasutusjuhend ning veenduda, et kogu teave on arusaadav.

Hoidke akut ja akulaadijat õigel õhutamisel.

	Õhutamistemperatuur
Aku kasutamine	5 °C kuni 40 °C
Aku laadimine	5 °C kuni 40 °C

## Aku olek

Ekraanil kuvatakse aku järelejäänud mahtuvus ja akuga seotud mis tahes probleemid. Aku mahtuvus kuvatakse viie sekundi jooksul pärast seadme väljalülitamist või akunäidiku nupu vajutamisel. Akul olev hoiatussümbol süttib tõrke ilmnemisel. Vt jaotist *Aku lk 140.*

(Joon. 31)

LED-tuled	Aku olek
Kõik LED-tuled põlevad	Täis (75–100%).
LED 1, LED 2, LED 3 põlevad	Aku on laetud 50–75%
LED 1, LED 2 põlevad	Aku on laetud 25–50%
LED 1 põleb	Aku on laetud 0–25%
LED 1 vilgub	Aku on tühi. Laadige akut.

## Aku laadimine

Enne esimest kasutuskorda laadige aku täis. Kliendile tarnimisel on aku laetud üksnes 30% ulatuses.

**Märkus:** Akulaadija tuleb ühendada tüübisildil näidatud pingele ja sagedusega võrku.

Aku laadimist ei toimu, kui aku temperatuur on üle 50 °C. Enne laadimise alustamist langetab akulaadija aku temperatuuri vajalikule tasemele.

1. Ühendage akulaadija toitejuhtme üks ots akulaadija pesasse.
2. Ühendage akulaadija toitejuhtme teine ots maandatud võrgupistikupesasse. Akulaadijal olev roheline märgutuli vilgub üks kord. (Joon. 32)
3. Asetage aku akulaadijasse. Kui aku on akulaadijaga õigesti ühendatud, süttib laadijal roheline tuli. (Joon. 33)
4. Kui aku kõik märgutuled põlevad, on aku täis. Ärge laadige akut kauem kui 24 tundi.
5. Akulaadija toitejuhtme võrgupistikupesast lahutamisel tõmmake pistikust, mitte juhtmest.
6. Eemaldage aku laadijast.

## Aku laadimisolek

Husqvarna Liitium-ioonakut saab laadida ja kasutada kõikidel laadimistasemetel. Aku ei ole kahjustunud. Täis laetud aku ei tühjene, kui aku laadijasse jätta.

LED-näidik	Laadimisolek
LED 1 vilgub	0–25%
LED 1 põleb, LED 2 vilgub	25–50%
LED 1, LED 2 põlevad, LED 3 vilgub	50–75%
LED 1, LED 2, LED 3 põlevad, LED 4 vilgub	75–100%
LED 1, LED 2, LED 3, LED 4 põlevad	Täielikult laetud

## Ettevalmistused enne toote kasutamist

- Suvel või kuiva mulla korral kastke päev enne tööle hakkamist pinnast.
- Veenduge, et inimesed, loomad on tootest vähemalt 20 m kaugusel.
- Pange kaabel kaablikerijale. Vt jaotist *Kaabli paigaldamiseks lk 134*.
- Reguleerige kaabli paigaldussügavust. Vt jaotist *Kaabli paigaldussügavuse reguleerimiseks lk 136*.
- Kinnitage kaabli ots vaia külge.

## Toote käivitamine

- Kallutage käepidet küljele. Vt jaotisest *Käepideme kallutamiseks lk 136*.
- Avage akukaas.
- Asetage laetud aku akukaane all olevasse akupessa 1. Tööea pikendamiseks asetage teine laetud aku akupessa 2.
- Eemaldage ohutuslüli ohutuslüli hoidikust.
- Pange ohutuslüli turvalukku. (Joon. 34)
- Olge toote taga.
- Vajutage juhtpaneelil ooterežiimi nuppu (A). Ooterežiimi tuli (B) süttib. (Joon. 35)
- Vajutage käivitamise/seiskamise nuppu (C), kuni see jääb sisselülitatuks. Mootor käivitub.



**ETTEVAATUST:** Ärge kasutage toodet, kui hoiatustuli (D) vilgub punaselt.

- Suruge puuri aktiveerimiseks puuri juhtrauda käepideme suunas. (Joon. 36)

## Veo kasutamine ratastel

- Rataste ajami aktiveerimiseks tõmmake ajami juhtrauda (A) käepideme suunas. (Joon. 37)

- Rataste ajami inaktiveerimiseks vabastage ajami juhtraud.

## Kaabli paigaldussügavuse reguleerimiseks

- Keerake nupp (A) lahti. (Joon. 38)
- Reguleerige tugiratas (B) vajalikule kaabli paigaldussügavusele ja pingutage nuppu.

**Märkus:** Tugiratta toru kõrval olevad numbrid (C) näitavad kaabli paigaldussügavust cm-tes. Kaabli paigaldussügavust saab reguleerida vahemikus 1–6 cm.

## Juhtraua kõrguse reguleerimine

Käepideme kõrgust saab reguleerida 5 asendisse.

- Keerake käepidet (A) selle lõdvendamiseks vastupäeva ja eemaldage nupp (B). (Joon. 39)
- Reguleerige käepideme kõrgust ja paigaldage nupp asendile kõige lähemasse avasse.
- Pingutamiseks pöörake käepidet päripäeva.

## Käepideme kallutamiseks

Te saate käepidet kallutada vältimaks, et te ei saaks toote kasutamisel esemetega pihta. Käepidet saab kallutada 4 asendisse paremale ja 4 asendisse vasakule poole.

- Tõmmake käepideme kallutusjuhtraud (A) täielikult käepideme suunas ja hoidke kinni. Käepideme kallutusjuhtraud on käepideme kõige kaugemal vasakul pool. (Joon. 40)
- Kallutage käepidet ühte neljast asendist vasakule või paremale ja vabastage käepideme kallutusjuhtraud. Veenduge, et käepideme lukustustihvt oleks ühes pildest. (Joon. 41)

## Paigalduskiilu pöördfunktsiooni lukustamiseks

Suuna täpsuse suurendamiseks, kui paigaldate kaablit pikkade sirgete sektsoonidena, saate lukustada paigalduskiilu pöördfunktsiooni.

- Veenduge, et paigalduskiil oleks samas suunas kui toode ja pingutage käepidet (A). (Joon. 42)

## Kaablijuhiku reguleerimiseks

Seade on reguleeritud 4 mm kaabli tarbeks. Kui kaabli läbimõõt on suurem, tuleb kaablijuhikut reguleerida.

- Keerake lahti kaks kruvi. (Joon. 43)
- Liigutage kaablijuhikut mõned millimeetrid üles.
- Keerake kaks kruvi kinni.



## Jäljeraja laiuse reguleerimiseks

Rataste asendit saab reguleerida erineva jäljeraja laiuse jaoks. Vasaku külje teljel on 4 reguleerimisava ja parema külje teljel on 4 reguleerimisava. Jäljeraja laiust saab reguleerida laiusele 250, 270, 290 või 310 mm puuri keskel. (Joon. 44)

1. Tõmmake tihvt (A) välja.
2. Reguleerige rattad vajalikule jäljeraja laiusele.
3. Asetage tihvt ühte teljel olevast 4 avast (B).
4. Lukustage turvavedru.

## Töö alustamine

Pärast kaabli ja puuri paigaldamist peab kasutaja kinnitama kaabli maapinnale.

1. Vajutage maasse vai.
2. Kinnitage kaablijuhiku alt väljatuleva kaabli osa vaia külge.

## Kahe kaablijuhiku kasutamiseks

Kui toode läheb tööala välimisest perimeetrist väljapoole, on vajalik paigaldada 2 kaablit korraga.

1. Kaevake 1 kaabel maasse kogu piiri ulatuses. Vt jooniseid (A) ja (B). (Joon. 45) (Joon. 46)
2. Kui jõuate joonisel (C) näidatud punkti, asetage tugiratas paigalduskiilu mullast tõstmiseks kõige kõrgemasse asendisse. Kinnitage kaabel vaiaga ja jätkake paigaldamist, kaabel mulla pinnal, kuni järgmise punktini. (Joon. 47)
3. Kinnitage kaabel joonisel (D) näidatud punktis vaia külge. (Joon. 48)

4. Seadke paigalduskiil õigele kaabli paigaldussügavusele ja jätkake kaabli maasse paigaldamist, et luua suletud ring. Vt joonist (E). (Joon. 49)
5. Kui jõuate joonisel (F) näidatud punkti, eemaldage vai ja puhastage paigalduskiil. Vt jaotist *Paigalduskiilu puhastamiseks lk 138*. (Joon. 50)
6. Paigaldage kaabel maapinna kohal kaablijuhikusse. (Joon. 51)
7. Kaevake 2 kaablit samal ajal joonisel (G) näidatud punkti. Kinnitage 2 kaablit vaia külge ja lahutage teine kaabel kaablijuhikust. (Joon. 52)
8. Jätkake perimeetri kaabli maasse kaevamist kuni joonisel (H) näidatud punktini. (Joon. 53)

## Seadme seiskamine

Kui seadet 3 minuti jooksul ei kasutata, seiskub see automaatselt.

1. Vabastage ajami juhtraud (A), et inaktiveerida rataste ajam. (Joon. 37)
2. Vabastage puuri seiskamiseks puurimise juhtraud. (Joon. 17)
3. Vajutage juhtpaneelil käivitamise/seiskamise nuppu.
4. Vajutage juhtpaneelil ooterežiimi nuppu.
5. Avage akukaas.
6. Eemaldage ohutuslüli turvalukust ja pange see ohutuslüli hoidikusse.
7. Kasutage paigalduskiilu puhastamiseks kaabitsat. Vt jaotist *Paigalduskiilu puhastamiseks lk 138*.
8. Puhastage ja määrige pärast iga tööd puuripead. Vt jaotist *Puuripea määrimiseks ja puhastamiseks lk 138*.

## Hooldamine

### Sissejuhatus



**HOIATUS:** Enne seadme hooldamist lugege põhjalikult läbi ohutust puudutav peatükk.

Seadme hooldamiseks ja remontimiseks on vaja erioskusi. Tagame asjatundliku remondi- ja hooldustöö.

Lisateavet vt [www.husqvarna.com](http://www.husqvarna.com).

### Hoolduskeem

Hooldusintervallide arvutamisel on aluseks võetud toote igapäevane kasutamine. Intervallid muutuvad, kui toodet igapäevaselt ei kasutata.

Tärniga (\*) tähistatud hooldustööde kohta vt *Toote ohutusseadised lk 133*.

	Igal kasutuskorral	Iga kuu	Igal hooajal
Tehke üldkontroll.	X		
Veenduge, et toote ohutusseadistel poleks defekte*.	X		
Kontrollige puuri ja paigalduskiilu.	X		
Kontrollige puurimise juhtrauda*.	X		

	Igal ka- sutuskor- ral	Iga kuu	Igal hooajal
Veenduge, et käivitus- ja seiskamisnupp töötaks korralikult ja see poleks defektne.	X		
Veenduge, et akul poleks kahjustusi.	X		
Kontrollige aku laetust.	X		
Veenduge, et aku vabastusnupud töötaksid korralikult ning et aku lukustus kindlalt seadme külge.	X		
Puhastage mootori õhu sissevõtuavad. Veenduge, et õhu sissevõtuavades pole rohtu või mustust.	X		
Määrige värvkatteta osad.	X		
Määrige osad, mille tsinkkate on kulunud.	X		
Puhastage ja määrige puuripead.	X		
Puhastage paigalduskiilu.	X		
Veenduge, et akulaadijal poleks kahjustusi ja et see töötaks korrektselt		X	
Kontrollige aku ja seadme vahelisi ühendusi. Samuti kontrollige aku ja akulaadija vahelisi ühendusi.			X

## Paigalduskiilu puhastamiseks

- Kasutage mulla eemaldamiseks kaabitsat ja puhastage paigalduskiil. (Joon. 54)

## Paigalduskiilu vahetamiseks

- Kallutage toodet ette ja asetage see aeglaselt maapinnale.
- Eemaldage 2 kruvi (A) ja paigalduskiil (B). (Joon. 55)
- Paigaldage uus paigalduskiil vastupidises järjekorras.

## Puuri vahetamine

- Eemaldage tootelt rohi ja mustus.



**ETTEVAATUST:** Veenduge, et mustus või muud soovimatud materjalid ei satuks paigaldamise ajal puuri.

**Märkus:** Puhastage ja määrige puuri korpust pärast iga töö lõppu.

- Eemaldage puuripea (B) ja lühike kruvi (A) võlliilt (C). (Joon. 56)

**Märkus:** Puuri vahetamiseks on vajalik 6 mm kuuskantvõti.

- Eemaldage pikk kruvi (D) ja puur (E) puuripealt.
- Pange uus puur puuripeasse ja paigaldage pikk kruvi.

- Paigaldage puuripea võllile.

- Pingutage kruvisid.

## Puuripea määrimiseks ja puhastamiseks

Puhastage puuripea hoolikalt pärast iga töö lõppu.

- Kallutage toodet ette ja asetage see aeglaselt maapinnale.
- Eemaldage rohi, mustus ja soovimatud materjalid pehme harjaga.
- Kasutage väiksemate rohu- ja mullaosakeste eemaldamiseks suruõhku.
- Eemaldage puuripealt (B) kruvid (A) ja eemaldage puur (C). (Joon. 56)
- Vabastage 2 kruvi (D) ja eemaldage paigalduskiil (E). (Joon. 57)
- Eemaldage kruvi (F) ja eemaldage võlliilt (H) puuripea (G). (Joon. 58)
- Puhastage toodet regulaarselt suruõhuga. Veenduge, et kogu mustus, rohi ja muud soovimatud materjalid on eemaldatud.
- Vajaduse korral eemaldage määratud määrdeaine sobiva lahustiga.
- Puhastage kõiki osasid sobiva lahustiga ja määrige kõik komponendid.
- Määrige võlli veekindla määrdega. (Joon. 59)

## Aku ja akulaadija puhastamine



**HOIATUS:** Ärge puhastage akut või akulaadijat veega.

- Enne aku asetamist akulaadijasse veenduge, et aku ja akulaadija oleksid puhtad ja kuivad.
- Puhastage akuklemmid suruõhu või pehme ja kuiva riidelapiga.
- Puhastage aku ja akulaadija välispinnad pehme ja kuiva riidelapiga.



**HOIATUS:** Ärge kasutage aku puhastamiseks mis tahes kemikaale.

## Veaotsing

### Tõrkeotsing

Kui te ei leia probleemile lahendust kasutusjuhendi abil, pöörduge Husqvarna hooldustöökoja poole.

Probleem	Põhjus
Mootor ei käivitu.	Aku pole laetud.
	Aku ei ole õigesti paigaldatud.
	Aku on defektne.
	Juhtpaneel on rikkis.
Puur ei pöörle.	Rihm on kulunud.
	Rihm on rihmaratastelt maha tulnud.
	Hoob ei avalda rihmale piisavat pinget.
Puur jääb pöörlema ka siis, kui puurimise juhtraud on vabastatud.	Puurimise juhtraua traat on kulunud või kahjustatud.
Toode ei tööta korralikult.	Puur on kulunud või kahjustatud.
	Puur ei ole õigesti paigaldatud.
Toode ei liigu, kui ajami juhtraud on aktiveeritud.	Ajami juhtraua traat on kulunud või kahjustatud.
	Ülekanderihmad on kulunud.
	Kett on purunenud või ei ole see piisavalt pingul.
	Ülekandemehhanismi korpuse sees olevad sidurikettad on kulunud.
Puuripead ei saa eemaldada.	Seadises on soovimatut materjali.
	Süsteemi sisemus on oksüdeerunud.
Maasse paigaldatava kaabli isolatsioon on kahjustatud.	Paigalduskiilul olev kaabli väljastusava on kahjustatud.
	Kaablit ümbritsev ja paigalduskiilu osa olev toru on määrdunud.

## Aku

Aku LED-tuli	Põhjus	Lahendus
Roheline LED-tuli vilgub.	Aku pingeline on madal.	Laadige aku. Vt jaotist <i>Aku laadimine lk 135</i> .
Tõrke LED-tuli vilgub	Aku on tühjenenud.	Laadige aku. Vt jaotist <i>Aku lk 140</i> .
	Töökeskkonna temperatuur on liiga kõrge või liiga madal.	Kasutage akut keskkonnas, mille temperatuur jääb vahemikku -10 kuni 40 °C.
	Ülepinge.	Veendu, et toiteallika võrgupinge vastaks toote mudeli etiketil märgitule. Eemaldage aku laadijast. Oodake viis sekundit ja proovige akut uuesti laadida. Probleemi püsimisel pöördu volitatud hooldustöökoja poole.
Tõrke LED-tuli põleb.	Elementide erinevus on liiga suur (1 V).	Pöörduge volitatud hooldustöökoja poole.

## Akulaadur

Akulaadija LED-tuli	Põhjus	Lahendus
Tõrke LED-tuli vilgub	Töökeskkonna temperatuur on liiga kõrge või liiga madal.	Kasutage akulaadijat keskkonnas, mille temperatuur jääb vahemikku 5 kuni 40 °C.
Tõrke LED-tuli põleb.		Pöörduge volitatud hooldustöökoja poole.

## Juhtpaneel

Tõrkekood (vilkumiste arv)	Võimalikud tõrked	Võimalik tegevus
5	Mootori kiirus langeb liigselt ja mootor seiskub.	Puhastage puuripead ja vähendage kaabli paigaldussügavust. Vt jaotist <i>Puuripea määrimiseks ja puhastamiseks lk 138</i> ja <i>Kaabli paigaldussügavuse reguleerimiseks lk 136</i> . Tõrke püsimise korral pöörduge volitatud hooldustöökohta.
8	Aku on tühjenenud.	Laadige aku. Vt jaotist <i>Aku laadimine lk 135</i> .
9	Aku tõrge või aku signaali pole.	Asetage aku õigesti seadmesse ja kontrollige akukonnektorit. Kui aku tõrke LED-tuli vilgub, vt <i>Aku lk 140</i> .
10	Mootori juhtseade on liiga kuum.	Seisake mootor ja oodake, kuni see on jahtunud.
Muud tõrked	Muude tõrgete ilmumise korral eemaldage ohutusüliti ja aku ning võtke ühendust volitatud hooldustöökojaga.	

# Transportimine, hoialepanek ja utiliseerimine

## Sissejuhatus



**HOIATUS:** Transportimise ajal juhusliku käivitumise vältimiseks keerake ohutuslüliti välja, eemaldage aku ja oodake vähemalt viis sekundit.

## Transportimine

- Liitium-ioonakudele kehtivad ohtlike kaupade veonõuded.
- Kaubandusliku transpordi korral tuleb järgida pakendamise ja märgistamise erinõudeid.
- Toote transportimiseks ettevalmistamisel järgige kindlasti ohtlikele ainetele kehtivaid eeskirju. Kehtida võivad ka kohalikud eeskirjad.
- Transpordi ajaks tuleb aku alati eemaldada.
- Katke akukonnectorid isoleerteibiga ja veenduge, et aku ei saaks transportimise ajal liikuma hakata.
- Kinnitage seade transportimise ajaks.

## Hoiustamine

- Enne hoiustamist laske tootel jahtuda.
- Hoiustamise ajaks tuleb aku alati eemaldada.
- Õnnetuste vältimiseks veenduge, et aku ja seade poleks hoiustamise ajal ühendatud.
- Hoidke akulaadijat suletud ja kuivas kohas.
- Hoidke akut ja akulaadijat kuivas kohas, kus pole niiskust ja miinuskraade.
- Ladustamise ajaks lahutage aku akulaadija küljest.
- Ärge hoidke akut kohas, kus võib tekkida staatiline elekter. Ära hoia akut metallkastis.

- Hoidke toodet kohas, kus õhutemperatuur jääb vahemikku  $-10\text{ }^{\circ}\text{C}$  kuni  $40\text{ }^{\circ}\text{C}$ .
- Hoidke akut kohas, kus ümbritsev temperatuur jääb vahemikku  $5\text{ }^{\circ}\text{C}$  kuni  $25\text{ }^{\circ}\text{C}$  ja kuhu ei paista otsene päikesevalgus.
- Hoidke akulaadijat kohas, kus ümbritsev temperatuur jääb vahemikku  $5\text{ }^{\circ}\text{C}$  kuni  $45\text{ }^{\circ}\text{C}$  ja kuhu ei paista otsene päikesevalgus.
- Enne aku pikemaajalist hoiustamist laadige see 30–50% ulatuses täis.
- Hoidke seadet, akut ja akulaadijat suletud ruumis, kuhu ei pääse lapsed ja volitamata kõrvalised isikud.
- Puhastage toode.
- Tehke kasutusjuhendis toodud hooldustoimingud. Vt jaotist *Hooldusskeem lk 137*.
- Enne toote pikaajalist hoiustamist tehke sellele täishooldus.

## Kõrvaldamine

Tootel või selle pakendil olevad sümbolid viitavad, et toodet ei tohi visata olmeprügi hulka. See tuleb toimetada ettenähtud vastuvõtupunkti, kus elektri- ja elektroonikaseadmed võetakse uuesti ringlusesse.

Hooldistes toote eest õigel viisil aitate vähendada võimalikke negatiivseid mõjusid keskkonnale ja inimestele, mis võivad avalduda toote vale käitlemise korral. Lisateabe saamiseks toote ringlussevõtu kohta pöörduge vastava kohaliku ametkonna, jäätme käitlusettevõtte või toote müünud kaupluse poole.

(Joon. 60)

## Tehnilised andmed

Puurimootor	
Mootori tüüp	BLDC (harjadeta) 36 V
Mootori pöörlemissagedus – nimisagedus, p/min	3000/min
Mootori pöörlemissagedus – suur koormus, p/min	3300/min
Mootori väljundvõimsus – maksimaalne, kW	1,8
Mootori väljundvõimsus – nimivõimsus, kW	1,2
Ülekanne	Mehaaniline käigukast õlivannis hammasülekandega
Vastuvõtja	Rihmsidur plokirattaga
Kaal	
Kaal ilma akuta (kg)	39

Kaal, sh 2 x BLi300, kg	43
<b>Aku</b>	
Aku tüüp	Husqvarna Akuseeria
<b>Aku tööaeg</b>	
Aku tööaeg, min <sup>29</sup>	38
<b>Müratasemed</b> <sup>30</sup>	
Müravõimsustase, mõõdetud L <sub>WA</sub> dB(A)	84
Helivõimsuse tase, garanteeritud L <sub>WA</sub> dB(A)	86
<b>Helitasemed</b> <sup>31</sup>	
Helirõhutase kasutaja kõrva juures, dB(A)	66
<b>Vibratsioonitase</b> <sup>32</sup>	
Käepide, m/s <sup>2</sup>	1,8
<b>Kaabli paigaldustarvikud</b>	
Kaabli paigaldussügavus, cm	1-6
Kaugus puuri ja ratta serva vahel, mm	250, 270, 290, 310
Puur	597 04 84-01

Heakskiidetud akud	Kaubamärk	Tüüp	Aku mahtuvus, Ah	Pinge, V	Kaal, kg
BLi300	Husqvarna	Liitiumioonaku	9,4	36	4,1/1,9

Määratletud akude heakskiidetud akulaadijad, BLi	Kaubamärk	Sisendpinge, V	Sagedus, Hz	Võimsus, W
QC500	Husqvarna	100-240	50-60	500

<sup>29</sup> Vabajooks, mõõdetud olukorras, kus aktiveeritud on standardrežiim ja kasutusel on 1 Husqvarna 9,4 Ah aku (BLi300).

<sup>30</sup> Müraremissioon ümbritsevasse keskkonda, mõõdetud helivõimsuse tasemenähtena (L<sub>WA</sub>) vastavalt EÜ direktiivile 2000/14/EÜ

<sup>31</sup> Müraarõhutaseme kohta toodud andmete statistiline dispersioon (standardhälve) on 1,2 dB(A).

<sup>32</sup> Vibratsioonitaseme kohta toodud andmete tüüpiline statistiline dispersioon (standardhälve) on 0,2 m/s<sup>2</sup>. Vibratsioonistandard EN 1032+A1:2009.

# Vastavusdeklaratsioon

## EÜ vastavusdeklaratsioon

Husqvarna AB, SE-561 82 Huskvarna, Rootsi, tel: +46  
3614 6500, kinnitab ainuvastutusel, et toode:

<b>Kirjeldus</b>	Kaablipaigaldusseade
<b>Kaubamärk</b>	Husqvarna
<b>Tüüp/mudel</b>	CL400i
<b>Identifitseerimine</b>	Seerianumbrid alates 2022. aastast

vastab täielikult järgmistele EÜ direktiividele ja määrustele:

<b>Määrus</b>	<b>Kirjeldus</b>
2006/42/EÜ	„masinadirektiiv“
2014/30/EL	„elektromagnetilise ühilduvuse direktiiv“
2011/65/EL	„elektri- ja elektroonikaseadmetes teatavate ohtlike ainete kasutamise piiramise direktiiv“

ja et kohalduvad järgmised standardid ja/või tehnilised spetsifikatsioonid: EN ISO 12100:2010, EN ISO 14119:2013, EN ISO 14120:2015, EN ISO 13857:2019, EN 62841-1:2015+AC:2015, EN ISO 11202:2010, EN 1032:2009, EN 55014-1:2017, EN 55014-2:2015, EN 63000:2018.

Lisateavet mürataseme kohta vt *Tehnilised andmed lk 141*.

Huskvarna, 2022-03-21



Claes Losdal, aiandustoodete arendusdirektor,  
Husqvarna AB

Tehnilise dokumentatsiooni eest vastutaja



---

## Sisällys

---

Johdanto.....	144	Vianmäärittäminen.....	154
Turvallisuus.....	145	Kuljettaminen, säilyttäminen ja hävittäminen.....	156
Asentaminen.....	149	Tekniset tiedot.....	156
Käyttö.....	149	Vaatimustenmukaisuusvakuutus.....	158
Huolto.....	152		

---

## Johdanto

---

### Tuotekuvaus

Laitte on kävellen ohjattava kaapelinasennuskone.

### Laitteen kuvaus

(Kuva 1)

1. Teräsanka
2. Kahvaston kallistussanka
3. Vetojärjestelmän sanka
4. Laskuri
5. Kaapelin kelauslaite
6. Syöttölaippa
7. Pora
8. Ohjauspaneeli
9. Turva-avain
10. Akku (lisävaruste)
11. Akkulaturi (lisävaruste)
12. Käyttöohjekirja

### Tuotteen symbolit

(Kuva 2) VAROITUS

(Kuva 3) Varoitus: Pyöriviä osia. Pidä kädet ja jalat etäällä.

(Kuva 4) Varo sinkoutuvia esineitä ja kimmokkeita.

(Kuva 5) Lue ohjeet.

(Kuva 6) Pidä sivulliset ja eläimet turvallisesta välimatkan päässä työalueesta.

(Kuva 7) Sivullisille voi aiheutua silmävammoja.

(Kuva 8) Ei saa altistaa sateelle.

(Kuva 9) Käytä suojavisiiriä.

(Kuva 10) Valmiustila (musta painike).

### Käyttötarkoitus

Laitetta käytetään robottirohonleikkureiden raja- ja hakukaapeleiden asentamiseen maahan. Älä käytä laitetta muihin tehtäviin.

(Kuva 10) Moottorin käynnistys ja sammutus (punainen painike).

(Kuva 11) Laitetta tai sen pakkausta ei saa hävittää kotitalousjätteen mukana. Vie se asianmukaiseen sähkö- ja elektroniikkalaitteiden keräyspisteeseen.

(Kuva 12) Laitte täyttää voimassa olevien EY-direktiivien vaatimukset.

(Kuva 13) Tämä tuote täyttää sovellettavissa olevien UK-säädösten vaatimukset.

(Kuva 14) Melupäästöt ympäristöön -tarra EU:n ja Yhdistyneen kuningaskunnan direktiivien ja säädösten mukaisesti sekä Uuden Etelä-Walesin "Protection of the Environment Operations (Noise Control) Regulation 2017" -asetuksen mukaisesti. Tuotteen taattu äänentehotaso on määritelty kohdassa *Tekniset tiedot sivulla 156* ja arvokilvessä.

(Kuva 15) Laitte on suojattu pystysuoraan tippuvalta vedeltä.

---

**Huomautus:** Muita laitteen symboleita/tarroja tarvitaan joillakin markkina-alueilla ilmaisemaan sertifiointivaatimuksia.

---

### Tuotteen vaurioituminen

Emme ole vastuussa tuotteen vaurioitumisesta, jos:

- tuote on korjattu virheellisesti
- tuotteen korjaamiseen on käytetty muita kuin valmistajan omia tai sen hyväksymiä osia



- tuotteessa on muu kuin valmistajan oma tai sen hyväksymä lisävaruste

- tuotetta ei ole korjattu valtuutetussa huoltopisteessä tai hyväksytyllä asiantuntijalla.

## Turvallisuus

### Turvallisuusmääritelmät

Varoituksia, huomioita ja huomautuksia käytetään, kun jotakin käyttöohjeen osaa halutaan erityisesti korostaa.



**VAROITUS:** Tätä käytetään, jos käyttöohjeen noudattamatta jättämisestä voi seurata käyttäjän tai sivullisen vamma tai kuolema.



**HUOMAUTUS:** Tätä käytetään, jos käyttöohjeen noudattamatta jättämisestä voi seurata koneen, muiden materiaalien tai ympäristön vaurioituminen.

**Huomautus:** Tätä käytetään tietyissä tilanteissa tarvittavien lisätietojen antamiseen.

### Yleiset tuoteturvavaroitukset



**VAROITUS:** Lue kaikki tämän laitteen mukana tulevat turvavaroitukset, ohjeet, kuvat ja tekniset tiedot. Alla olevien ohjeiden noudattamatta jättäminen voi johtaa sähköiskuun, tulipaloon ja/tai vakavaan tapaturmaan.

**Säästä kaikki varoitukset ja ohjeet tulevaa käyttöä varten.** Termillä "laite" tarkoitetaan varoituksissa verkkosähköllä toimivaa (johdollista) laitetta tai akkukäyttöistä (johdotonta) laitetta.

### Työalueen turvallisuus

- **Pidä työalue siistinä ja hyvin valaistuna.** Sotkuiset tai hämärät alueet ovat alttiita onnettomuuksille.
- **Älä käytä laitetta räjähdysherkässä ympäristössä, esimerkiksi herkästi syttyvien nesteiden, kaasujen tai pölyn läheisyydessä.** Laitteesta lähtevät kipinät voivat sytyttää pölyn tai kaasut.
- **Pidä lapset ja sivulliset poissa, kun käytät laitetta.** Häiriöt voivat saada sinut menettämään työkalun hallinnan.

### Sähköturvallisuus

- **Laitteen pistokkeen on sovittava pistorasiaan. Älä koskaan muuta pistoketta millään tavoin. Älä käytä mitään pistokesovittimia maadoitettujen laitteiden kanssa.** Muuttamattomat pistokkeet ja sopivat pistorasiat vähentävät sähköiskun vaaraa.
- **Varo koskettamasta maadoitettuja pintoja, kuten putkia, pattereita, liesiä ja jääkaappeja.** Sähköiskun riski kasvaa, jos käyttäjän keho on maadoitettu.

- **Älä altista laitteita sateelle tai märille olosuhteille.** Laitteeseen päässyt vesi lisää sähköiskun vaaraa.
- **Älä vahingoita johtoa. Älä koskaan käytä johtoa laitteen kantamiseen, vetämiseen tai irrottamiseen pistorasiasta. Pidä johto etäällä kuumuudesta, öljystä, terävistä reunoista tai liikkuvista osista.** Vialliset tai solmussa olevat johdot lisäävät sähköiskuvaaraa.
- **Kun käytät laitetta ulkona, käytä ulkolitsoihin sopivaa jatkojohtoa.** Ulkokäyttöön sopivan johdon käyttäminen vähentää sähköiskun vaaraa.
- **Mikäläi laitteen käyttämistä kosteassa ei voida välttää, käytä virtalähdettä, jossa on vikavirtasuojakytkin (RCD).** Vikavirtasuojakytkimen käyttäminen vähentää sähköiskuvaaraa.

### Henkilökohtainen turvallisuus

- **Pysy valppaana, katso mitä teet ja käytä tervettä järkeä käyttäessäsi laitetta. Älä käytä laitetta väsyneenä tai alkoholin, huumeiden tai lääkeyksen vaikutuksen alaisena.** Hetken epähuomio laitteita käytettäessä voi johtaa vakavaan henkilövahinkoon.
- **Käytä henkilökohtaisia suojavarusteita. Pidä aina silmäsuojia.** Hengityssuojain, luistamattomat turvakengät, kypärä, kuulosuojaimet ja muut suojavarusteet niitä vaativissa oloissa käytettyinä vähentävät henkilövahinkoja.
- **Estä tahaton käynnistys. Varmista, että katkaisin on OFF-asennossa ennen virtalähteen ja/tai akun kytkemistä, laitteeseen tarttumista tai sen kantamista.** Laitteiden kantaminen sormi kytkimellä tai virran kytkeminen laitteeseen, kun kytkin on käyttöasennossa, altistaa onnettomuuksille.
- **Irrota mahdolliset säästöavaimet ennen virran kytkemistä laitteeseen.** Laitteen pyöriivään osaan kiinnitetty avain voi aiheuttaa henkilövahingon.
- **Älä kurota. Säilytä aina tukeva asento ja tasapaino.** Tämä mahdollistaa laitteen paremman hallinnan odottamattomissa tilanteissa.
- **Pukeudu oikein. Älä käytä löysästi istuvia vaatteita tai koruja. Pidä hiukset ja vaatteet etäällä liikkuvista osista.** Löysät vaatteet, korut tai pitkät hiukset voivat tarttua liikkuviin osiin.
- **Jos käytettävissä on kytkentämahdollisuus pölynpoistojärjestelmälle, varmista, että se kytketään ja että sitä käytetään oikein.** Pölynpoistojärjestelmän käyttö voi vähentää pölyyn liittyviä riskejä.
- **Vaikka olisit käyttänyt laitteita usein ja tuntisit ne hyvin, muista aina ottaa huomioon laitteen turvamääräykset.** Huuolmaton toiminta voi aiheuttaa vakavia vahinkoja sekunnin murto-osassa.

## Laitteen käyttäminen ja huoltaminen

- **Älä käytä laitetta väkisin.** Käytä käyttötarkoitukseen sopivaa laitetta. Oikea laite tekee työn paremmin ja turvallisemmin nopeudella, jota varten se on suunniteltu.
- **Älä käytä laitetta, jos virtaa ei voi kytkä ja katkaista virtakytkimellä.** Mikä tahansa laite, jota ei voi hallita virtakytkimellä, on vaarallinen, ja se pitää korjata.
- **Irrota pistoke pistorasiasta ja/tai akku laitteesta, mikäli mahdollista, ennen kuin teet mitään säätöjä, vaihdat lisävarusteita tai varastoit laitteita.** Nämä ennakoivat turvatoimet vähentävät laitteen vahingossa käynnistymisen vaaraa.
- **Varastoi käyttämättömät laitteet pois lasten ulottuvilta äläkä anna henkilöiden, jotka eivät tunne laitetta tai näitä ohjeita, käyttää laitetta.** Laitteet ovat vaarallisia taitamattomien käyttäjien käsissä.
- **Pidä laitteet ja lisävarusteet hyvässä kunnossa.** Tarkista, etteivät liikkuvat osat ole pois kohdaltaan tai juutuneet, että mikään osa ei ole rikkoutunut ja että mikään muu olosuhte ei vaikuta laitteen toimintaan. Jos laite on vahingoittunut, korjauta se ennen käyttöä. Monet onnettomuudet johtuvat huonosti huolletusta laitteesta.
- **Pidä leikkaustyökalut terävinä ja puhtaina.** Oikein huolletut leikkaustyökalut, joiden leikkausreunat ovat terävät, eivät juutu kiinni niin helposti ja ovat helpommin hallittavissa.
- **Käytä laitetta, lisävarusteita, teriä jne. näiden ohjeiden mukaisesti ottaen huomioon työskentelyolosuhteet ja suoritettavan työn laadun.** Laitteen käyttäminen ennakoituista poikkeavissa olosuhteissa voi johtaa vaaratilanteeseen.
- **Pidä kahvat ja tarttumapinnat kuivina, puhtaina ja öljyttöminä sekä puhtaana vasellinista.** Liukkaat kahvat ja tarttumapinnat eivät mahdollista laitteen turvallista käsittelyä ja hallintaa odottamattomissa tilanteissa.

## Palvelu

- **Anna laitteen korjaaminen pätevän korjaajan tehtäväksi.** Koneessa saa käyttää vain täysin samanlaisia varaosia. Näin taataan, että laitteen käyttöturvallisuus säilyy ennallaan.
- **Älä koskaan huolla vahingoittuneita akkuja.** Akkuja saavat huoltaa vain valmistaja ja valtuutetut palveluntarjoajat.

## Akkukäyttöisten työkalujen käyttö ja huolto

- **Lataa akku ainoastaan valmistajan tarkoitukseen nimeämällä laturilla.** Tietynlaiseen akustoon soveltuva laturi voi aiheuttaa toisen akuston lataamiseen käytettynä tulipalon vaaran.
- **Liitä tuotteisiin ainoastaan niissä käytettäviksi hyväksytyjä akkuja.** Muunlaisten akkujen käyttö voi aiheuttaa tapaturmien tai tulipalon vaaran.
- **Kun akkuja ei käytetä, pidä se etäällä metalliesineistä, kuten paperiliittimistä, kolikoista, avaimista, nauloista, ruuveista tai muista**

**pienistä metalliesineistä, jotka saattavat aiheuttaa kosketuksen liitinten välillä.** Akkuliitinten saattaminen keskenään oikosulkuun voi aiheuttaa palovammoja tai tulipalon.

- **Akusta voi tihkua nestettä väärissä olosuhteissa.** Vältä kosketusta akkuneesteeseen. Jos akkuneestettä joutuu iholle, huuhtele ihoalue vedellä. Jos neste joutuu kosketuksiin silmien kanssa, ota myös yhteys lääkäriin. Akkuneeste voi aiheuttaa ihoärsytystä tai palovammoja.
- **Älä käytä vaurioitunutta tai muutettua akkuja tai työkalua.** Jos tuotteessa käytetään vaurioituneita tai muutettuja akkuja, tuote ei välttämättä toimi asianmukaisesti. Seurauksena saattaa olla tulipalo, räjähdys tai tapaturma.
- **Älä altista akkuja tai työkalua tulelle tai korkeille lämpötiloille.** Laitteen altistuminen tulelle tai yli 130 °C:n lämpötilalle voi aiheuttaa räjähdyksen.
- **Noudata kaikkia latausohjeita äläkä lataa akkuja tai työkalua ohjeissa määritetyn lämpötila-alueen ulkopuolella.** Akun lataaminen väärin tai sallituista lämpötiloista poikkeavissa olosuhteissa voi vahingoittaa akkuja ja lisätä tulipaloriskiä.

## Yleiset turvallisuusohjeet



**VAROITUS:** Lue seuraavat varoitukset ennen tuotteen käyttöä.

- Tämä laite on vaarallinen, jos sitä käytetään huolimattomasti tai virheellisesti. Turvaohjeiden noudattamatta jättäminen voi aiheuttaa vammoja tai kuoleman.
- Tuote muodostaa käytön aikana sähkömagneettisen kentän. Kenttä saattaa joissakin olosuhteissa häiritä aktiivisten tai passiivisten lääketieteellisten implanttien toimintaa. Vakavien tai hengenvaarallisten tapaturmien ehkäisemiseksi kehotamme lääketieteellisiä implantteja käyttäviä henkilöitä neuvottelemaan lääkärin ja lääketieteellisen implantin valmistajan kanssa ennen tuotteen käyttämistä.
- Ole aina varovainen ja käytä tervettä järkeä. Jos et ole varma, miten tuotetta käytetään erityistilanteessa, sammuta tuote ja ota yhteys Husqvarna-jälleenmyyjään, ennen kuin jatkat.
- Muista, että käyttäjä on vastuussa muille ihmisille tai heidän omaisuudelleen aiheutuvista vahingoista.
- Pidä laite puhtaana. Varmista, että tuotteen merkit ja tarrat ovat luettavissa.
- Älä anna lasten tai henkilöiden, jotka eivät ole tutustuneet näihin ohjeisiin, käyttää laitetta. Paikalliset määräykset saattavat rajoittaa käyttäjän ikää.
- Valvo aina laitetta käyttävää henkilöä, jonka fyysiset tai psyykkiset kyvyt ovat heikentyneet. Vastuullisen aikuisen on oltava aina paikalla.
- Älä käytä laitetta jos olet väsynyt tai sairas tai alkoholin, huumaavien aineiden tai lääkkeiden

vaikutuksen alaisena. Niillä on negatiivinen vaikutus näkökykyysi, vireytesi, harkintakykyysi ja kehosi hallintaan.

- Älä käytä tuotetta, jos se on vahingoittunut tai jos se ei toimi oikein.
- Älä tee koneeseen muutoksia tai käytä konetta, mikäli epäilet jonkun muun muuttaneen sitä.

## Työturvallisuus



**VAROITUS:** Lue seuraavat varoitushjeet ennen laitteen käyttämistä.

- Laitetta käytetään robottiruohonleikkureiden raja- ja hakukaapeleiden asentamiseen maahan. Älä käytä laitetta muihin tehtäviin.
- Käytä henkilökohtaisia suojavarusteita. Katso kohta *Henkilökohtainen suojavarustus sivulla 147*.
- Opettele pysäyttämään moottori nopeasti hätätilassa.
- Älä käytä laitetta sateella tai märissä olosuhteissa. Sähköiskun vaara kasvaa, jos laitteeseen pääsee vettä.
- Älä käytä laitetta, ellei sen terää ja kaikkia suojuksia ole kiinnitetty asianmukaisesti. Virheellisesti kiinnitetty terä saattaa irrota ja aiheuttaa vammoja.
- Poista työskentelyalueelta oksat, risut ja kivet ennen laitteen käyttämistä.
- Kaapelinasennuslaitteisiin osuvat esineet voivat sinkoutua edelleen ja vahingoittaa henkilöitä ja esineitä. Pidä sivulliset ja eläimet turvallisen välimatkan päässä laitteesta.
- Älä koskaan käytä laitetta huonolla säällä esimerkiksi sumussa, sateessa, kovassa tuulessa, ankarassa pakkasessa tai ukkosella. Laitteen käyttäminen huonolla säällä tai kosteissa tai märissä olosuhteissa on raskasta. Huono sää voi aiheuttaa vaaratilanteita, kuten liukastumisvaaran.
- Varo henkilöitä, esineitä ja tilanteita, jotka voivat estää laitteen turvallisen käytön.
- Varo esteitä, kuten juuria, kiviä, risuja, kuoppia ja oja. Pitkän ruohon seassa voi olla esteitä.
- Älä käytä laitetta rinteessä, jonka kaltevuus on yli 15°.
- Noudata erityistä varovaisuutta vaihtaessasi suuntaa rinteessä. Käytä laitetta sivusuunnassa rinteeseen nähden. Älä käytä laitetta pystysuunnassa.
- Ole varovainen lähestyessäsi piilossa olevia kulumia ja esineitä, jotka estävät näkyvyyden.
- Varmista, ettei terä osu kiviin ja juuriin. Tämä voi vaurioittaa terää, ja moottorin akseli voi vääntyä. Vääntynyt moottorin akseli aiheuttaa voimakasta tärinää. Tällöin on erittäin suuri riski, että terä irtoaa.
- Jos terä osuu esineeseen tai alkaa täristä, pysäytä laite välittömästi. Pysäytä moottori, vedä turva-avain ylös ja irrota akku. Odotä, kunnes liikkuvat osat pysähtyvät. Tarkista laite vaurioiden varalta. Kiristä löystyneet osat. Korjaa vauriot ja vaihda

vaurioituneet osat. Anna huoltotyö valtuutetun huolto liikkeen tehtäväksi.

- Älä kiinnitä teräsankaa pysyvästi kahvaan moottoria käynnistettäessä.
- Aseta laite kiinteälle, tasaiselle alustalle ja käynnistä se.
- Ole aina laitteen takana käyttäessäsi sitä.
- Pidä kaikki renkaat maassa ja molemmat kätesi työntöaisalla käyttäessäsi laitetta.
- Pidä kätesi ja jalkasi poissa pyörivän terän läheisyydestä.
- Älä kallista laitetta, kun käynnistät moottorin tai käytät laitetta.
- Ole varovainen vetäessäsi laitetta taaksepäin.
- Älä nosta laitetta moottorin käynnistykseen aikana. Jos laite on nostettava, sammuta ensin moottori, vedä turva-avain ylös ja irrota akku.
- Älä kävele taaksepäin käyttäessäsi laitetta.
- Pysäytä terä vapauttamalla teräsanka, kun konetta on kallistettava kuljetusta varten.
- Älä juokse laitteen kanssa, kun moottoria käynnistetään. Kävele aina, kun käytät laitetta.
- Sammuta moottori ennen kuin muutat kaapelin asennussyvyyttä. Älä tee säätöjä moottorin käydessä.
- Älä jätä laitetta ilman valvontaa moottorin käydessä. Sammuta moottori ja varmista, ettei terä pyöri.
- Laitteen tärinä käytön aikana voi erota kohdassa *Tekniset tiedot sivulla 156* ilmoitetusta tärinäarvosta. Ero johtuu tuotteen käyttötavan vaihtelusta. Jos käytät laitetta usein tai pitkään, pidä taukoja säännöllisesti, jotta tärinä ei aiheuta vammoja.

## Turvallisuusohjeet käyttöä varten

Lue seuraavat ohjeet ennen laitteen käyttämistä.

- Varmista, että ohjaimessa oleva kaapeli on ehjä.
- Varmista, että syöttölaipan putki on ehjä. Vaihda putki uuteen, jos se on kulunut tai vaurioitunut.

(Kuva 16)

- Varmista, ettei reiän reuna ole terävä tai rosainen. Vaihda kaapelinohjain, jos se on vaurioitunut.
- Varmista, että kaikki ruuvit on kiristetty.
- Varmista, että kaikki vivut ovat vapaa-asennossa.

## Henkilökohtainen suojavarustus



**VAROITUS:** Lue seuraavat varoitushjeet ennen laitteen käyttämistä.

- Henkilökohtaiset suojavarusteet eivät poista tapaturmien vaaraa, mutta ne lieventävät vammoja onnettomuus tilanteessa. Anna jälleenmyyjän auttaa oikeiden varusteiden valinnassa.
- Käytä kestäviä luistamattomia saappaita tai kenkiä. Älä käytä avonaisia jalkineita tai kulje paljain jaloin.
- Käytä vahvakankaisia, pitkiä housuja.

- Käytä suojäkäsineitä tarvittaessa, esimerkiksi kaapelinasennuslaitteiden kiinnityksen, tarkastuksen ja puhdistuksen aikana.
- Suosittelemme kuulonsuojaimien käyttöä.

## Tuotteen turvalaitteet



**VAROITUS:** Lue seuraavat varoitukset ennen tuotteen käyttöä.

- Älä käytä tuotetta vahingoittuneiden tai viallisten turvalaitteiden kanssa.
- Älä poista turvalaitteita tai tee niihin muutoksia.
- Tarkasta turvalaitteet säännöllisesti. Jos turvalaitteet ovat vahingoittuneet tai eivät toimi oikein, ota yhteys Husqvarna-huoltooliikkeeseen.

## Turva-avain

Turva-avain on akun kannen alla. Turva-avain kytkee akun, joka tuottaa tehoa moottorille.

## Turva-avaimen tarkistaminen

Turva-avain kytkee akun, joka tuottaa tehoa moottorille.

- Käynnistä ja sammuta moottori. Jos turva-avain toimii oikein, moottori käynnistyy vain, kun avain on turvalukossa.

## Teräsanka

Terä pysäytetään teräsangalla. Teräsangan vapauttaminen pysäyttää terän.

Tarkista teräsanka käynnistämällä moottori ja vapauttamalla sitten teräsanka. Jos terä ei pysähdy kolmessa sekunnissa, ota yhteys valtuutettuun Husqvarna-huoltooliikkeeseen.

(Kuva 17)

## Akkuturvallisuus



**VAROITUS:** Lue seuraavat varoitukset ennen tuotteen käyttöä.

- Käytä ladattavia Husqvarna-akkuja vain yhteensopivien Husqvarna-tuotteiden virtalähteenä. Tapaturmien välttämiseksi akkuja ei saa käyttää muiden laitteiden virtalähteenä.
- Älä käytä akkuja, joita ei voi ladata.
- Sähköiskun vaara. Älä koske akun napoihin avaimella, kolkolla, ruuvilla tai muilla metalliesineillä. Tämä voi aiheuttaa akun oikosulun.
- Älä aseta esineitä akun ilma-aukkoihin.
- Pidä akku suojassa auringonvalolta, kuumuudelta ja avotulelta. Akku voi räjähtää ja aiheuttaa palo- ja/tai syöpymisvammoja.
- Suojaa akku sateelta ja kosteilta olosuhteilta.
- Älä altista akkuja mikroaalloille ja korkealle paineelle.
- Älä yritä purkaa tai rikkoa akkuja.

- Jos akku vuotaa, älä anna nesteen joutua kosketuksiin kehon tai silmien kanssa. Jos nestettä joutuu iholle, puhdista alue heti runsaalla vedellä ja hakeudu lääkäriin.
- Käytä tuotteen akkuja ainoastaan 5–40 °C:n lämpötiloissa.
- Käytä akkulaturia ainoastaan 5–40 °C:n lämpötiloissa.
- Akku ei lataudu, jos akun lämpötila on yli 50 °C.
- Älä pese akkuja tai akkulaturia vedellä. Katso kohdasta *Akun ja akkulaturin puhdistaminen sivulla 153*.
- Älä käytä vaurioitunutta akkuja.
- Säilytä akkuja varastossa kaukana metalliesineistä kuten nauloista, kolikoista ja koruista.

## Akkulaturin turvallisuus



**VAROITUS:** Lue seuraavat varoitukset ennen tuotteen käyttöä.

- Käytä QC-akkulatureita vain Husqvarna-vara-akkujen lataukseen.
- Sähköiskun tai oikosulun vaara. Älä aseta esineitä laturin ilmarakoihin. Älä yritä purkaa akkulaturia. Älä liitä laturin liittimiä metalliesineisiin. Käytä hyväksytyä pistorasiaa.
- Tuote muodostaa käytön aikana sähkömagneettisen kentän. Kenttä saattaa joissakin olosuhteissa häiritä aktiivisten tai passiivisten lääketieteellisten implanttien toimintaa. Vakavien tai hengenvaarallisten tapaturmien ehkäisemiseksi kehotamme lääketieteellisiä implantteja käyttäviä henkilöitä neuvottelemaan lääkärin ja lääketieteellisen implantin valmistajan kanssa ennen laitteen käyttämistä.
- Tarkista säännöllisesti, että akkulaturin virtajohto ei ole vaurioitunut ja ettei siinä ole murtumia.
- Älä nosta akkulaturia virtajohdosta. Irrota akkulaturi pistorasiasta vetämällä pistoke ulos. Älä vedä virtajohdosta.
- Pidä virtajohto ja jatkojohdot poissa veden, öljyn ja terävien reunojen ulottuvilta. Pidä huolta, ettei kaapeli kiristy ovien, aitojen tai muiden vastaavien esineiden kohdalla. Se voi muuttaa laturin jännitteelliseksi.
- Älä puhdista akkulaturia vedellä.
- Yli 8-vuotiaat lapset ja henkilöt, joiden fyysinen, sensorinen tai henkinen toimintakyky on alentunut tai joilla ei ole riittävää kokemusta tai taitoja laitteen käyttöön, saavat käyttää akkulaturia, mikäli he ovat saaneet ohjausta tai ohjeita akkulaturin turvallisesta käytöstä ja ymmärtävät siihen liittyvät vaarat. Lapset eivät saa leikkiä akkulaturilla. Lapset eivät saa puhdistaa tai huoltaa laturia ilman valvontaa.
- Älä lataa akkulaturilla akkuja, jotka eivät sovellu uudelleenlataukseen.

- Älä käytä akkulatoria herkästi syttyvien materiaalien tai syöpymistä aiheuttavien materiaalien lähellä. Älä peitä akkulatoria. Jos havaitset savua tai tulta, irrota akkulatorin pistoke pistorasiasta.
- Älä käytä vaurioitunutta akkulatoria.
- Lataa akkua vain sisätiloissa poissa auringonvalosta ja tilassa, jossa on hyvä ilmanvaihto. Älä lataa akkua märissä olosuhteissa.

## Turvaohjeet huoltoa varten



**VAROITUS:** Lue seuraavat varoitushjeet ennen laitteen käyttämistä.

- Irrota turva-avain ennen koneen huoltotöitä.
- Laitteen oikeanlainen huoltaminen pidentää sen käyttöikää ja pienentää onnettomuusvaaraa. Anna

huoltotyö valtuutetun huoltoliikkeen tehtäväksi. Kysy lisätietoja lähimmästä huoltoliikkeestä.

- Tee laitteelle ainoastaan käyttöohjekirjassa mainitut huoltotoimenpiteet.
- Käytä paksuja käsineitä, kun käsittelet kaapelinasennuslaitteita.
- Pidä laite puhtaana, jotta laitteen suorituskyky ja turvallisuus pysyvät mahdollisimman hyvänä.
- Anna huoltoliikkeen tarkastaa laite säännöllisesti ja tarvittaessa säätää ja korjata se.
- Vaihda vaurioituneet, kuluneet tai rikkoutuneet osat.
- Noudata lisävarusteiden vaihtoa koskevia ohjeita. Käytä ainoastaan valmistajan lisävarusteita.
- Kun laitetta ei käytetä, säilytä se, akku ja akkulatori erillään kuivassa ja lukitussa sisätilassa. Varmista, että lapset ja asiattomat henkilöt eivät pääse käsiksi laitteeseen, akkuun tai akkulatoriin.

## Asentaminen

### Johdanto



**VAROITUS:** Lue ja sisäistä turvallisuutta käsittelevä luku ennen laitteen asentamista.

### Terän asentaminen

1. Aseta terä (A) teräpäähän (B) ja asenna pitkä ruuvi (C). (Kuva 18)

**Huomaus:** Terän asentamiseen tarvitaan 6 mm:n kuusiokoloavain.

2. Asenna teräpäätä akseliin (D) lyhyellä ruuvilla (E).
3. Kiristä ruuvit.

### Kaapelin asentaminen

Laitteessa on irrotettava kaapelikela.

1. Aseta kaapeli kaapelikelaan. Kierrä kaapelikela myötäpäivään nupilla.

**Huomaus:** Kaapeli on asennettava myötäpäivään kaapelikelaan, jotta se kelautuu auki sujuvasti käytön aikana. (Kuva 19)

2. Työnnä kaapeli syöttölaippaan (A), kunnes kaapeli tulee noin 5 cm ulos laipan alaosaan (B). (Kuva 20)

### Kaapelikelan asentaminen ja irrottaminen

1. Löysää nuppia (A). (Kuva 21)
2. Irrota pidike (B).
3. Irrota kaapelikela (C).
4. Asenna kaapelikela (D). Käytä tarvittaessa sovitinta. (Kuva 22)
5. Asenna pidike (E) ja kiristä nuppi (F).

## Käyttö

### Johdanto



**VAROITUS:** Lue turvallisuutta käsittelevä luku niin, että ymmärrät sen sisällön, ennen laitteen käyttämistä.

### Husqvarna Fleet Services™

Husqvarna Fleet Services™ on verkkoratkaisu, joka antaa käyttäjälle yleiskuvan kaikista liitettyistä tuotteista. Laitteeseen voidaan asentaa Husqvarna Fleet Services™ -anturi. Husqvarna Fleet Services™ -anturi kerää tuotetietoja ja mahdollistaa yhteyden muodostamisen Husqvarna Fleet Services™

-järjestelmään. Husqvarna Fleet Services™ -järjestelmä raportoi tietoja, kuten käyttöajan, huoltovälit ja laitteen sijainnin.

Lisätietoja Husqvarna Fleet Services™ -palvelusta saat lataamalla Husqvarna Fleet Services™ -sovelluksen tai ottamalla yhteyttä Husqvarna-edustajaan.

### Sensorin (lisävaruste) valmistelu

1. Avaa sensorin kansi sensorin avaimella. (Kuva 23)
2. Irrota sensori.
3. Kiinnitä akku sensoriin. Sensorin LED-valo syttyy. (Kuva 24)
4. Lataa Husqvarna Fleet Services™ -sovellus.

- Kirjautu sisään Husqvarna Fleet Services™ -sovellukseen.
- Muodosta laitepari. Katso *Laiteparin muodostaminen sovelluksen ja laitteen välillä sivulla 150*

### Laiteparin muodostaminen sovelluksen ja laitteen välillä

- Kirjautu sisään Husqvarna Fleet Services™ -sovellukseen.
- Valitse laite sovelluksesta.
- Asenna sensori sovellukseen skannaamalla sensorin takana oleva koodi mobiililaitteella.

**Huomautus:** Laiteparin muodostaminen sovelluksen ja laitteen välillä on tehtävä vain kerran.

### Sensorin asentaminen

- Varmista, että sensori on yhdistetty Husqvarna Fleet Services™ -sovellukseen. Katso kohta *Laiteparin muodostaminen sovelluksen ja laitteen välillä sivulla 150*.
- Poraa kotelossa olevaan syvennykseen kaksi reikää. (Kuva 25)

**Huomautus:** Varmista, että reiät ovat samankokoisia kuin sensorin mukana toimitetut niitit.

- Irrota sensorisyvennyksen ulommat reiät pihdeillä. (Kuva 26)
- Poraa sensorisyvennykseen kaksi reikää. (Kuva 27)
- Kohdista sensorisyvennyksen kotelossa olevaan syvennykseen. (Kuva 28)
- Kiinnitä sensorisyvennyksen niiteillä.
- Asenna sensori sensorisyvennykseen. Kohdista sensorin valkoinen merkki sensorisyvennyksen merkin kanssa. (Kuva 29)
- Sulje sensorin kansi ja lukitse se sensorin avaimella. Varmista, että H-kirjaimen yläosa sanassa Husqvarna osoittaa pois päin turva-avaimesta. (Kuva 30)

### Akku



**VAROITUS:** Ennen kuin käytät akkua, lue turvallisuutta käsittelevä luku niin, että ymmärrät sen sisällön. Lue myös akun ja akkulaturin käyttöohje niin, että ymmärrät sen sisällön.

Säilytä akku ja laturi oikeassa lämpötilassa.

	Ympäristön lämpötila
Akun käyttö	5–40 °C
Akun lataaminen	5–40 °C

### Akun tila

Näyttö osoittaa akun varaustason ja mahdolliset akkuun liittyvät ongelmat. Akun varaustaso näytetään viiden sekunnin ajan tuotteen sammuttamisen tai akun varaustilan ilmaisimien -painikkeen painamisen jälkeen. Virheen tapahtuessa akun varoitussymboli syttyy. Katso *Akku sivulla 154*.

(Kuva 31)

LED-merkkivalot	Akun tila
Kaikki LED-merkkivalot palavat.	Täysin ladattu (75–100 %)
LED 1, LED 2 ja LED 3 palavat	Akun varaustaso on 50–75 %.
LED 1 ja LED 2 palavat	Akun varaustaso on 25–50 %.
LED 1 palaa	Akun varaustaso on 0–25 %.
LED 1 vilkkuu.	Akku on tyhjä. Lataa akku.

### Akun lataaminen

Lataa akku ennen ensimmäistä käyttökertaa. Akun varaus on toimitettaessa vain 30 %.

**Huomautus:** Akkulaturi on kytkettävä tyypillisen mukaiseen jännitteeseen ja taajuuteen.

Akku ei lataudu, jos akun lämpötila on yli 50 °C. Akkulaturi viilentää akkua ennen kuin se alkaa latautua.

- Kytke akkulaturin virtajohdon toinen pää akkulaturin liitäntään.
- Kytke sitten akkulaturin virtajohdon toinen pää maadoitettuun pistorasiaan. Akkulaturin vihreä merkkivalo vilkkuu kerran. (Kuva 32)
- Aseta akku akkulaturiin. Laturin vihreä valo syttyy, kun akku on kytketty oikein akkulaturiin. (Kuva 33)
- Kun akun kaikki LED-merkkivalot syttyvät, akku on ladattu täyteen. Lataa akkua enintään 24 tuntia.
- Kun irrotat akkulaturin pistorasiasta, älä vedä johdosta, vaan pistokkeesta.
- Irrota akku akkulaturista.

### Akun varaustila

Husqvarna-litiumioniakkua voi ladata tai käyttää sen varaustasosta riippumatta. Akku ei ole vaurioitunut. Täyteen ladattu akku ei menetä varaustaan, kun se jätetään laturiin.

LED-näyttö	Varaustila
LED 1 vilkkuu.	0–25 %

LED-näyttö	Varaustila
LED 1 palaa, LED 2 vilkkuu	25–50 %
LED 1 ja LED 2 palavat ja LED 3 vilkkuu.	50–75 %
LED 1, LED 2 ja LED 3 palavat, LED 4 vilkkuu.	75–100 %
LED 1, LED 2, LED 3, LED 4 palavat	Täyteen ladattu

## Toimet ennen koneen käyttämistä

1. Kastele maa kesäisin edellisenä päivänä ennen työn suorittamista tai kun maa on kuiva.
2. Varmista, että ihmiset ja eläimet ovat vähintään 20 metrin päässä laitteesta.
3. Aseta kaapeli kaapelikelaan. Katso kohta *Kaapelin asentaminen sivulla 149*.
4. Säädä kaapelin asennussyvyys. Katso kohta *Kaapelin asennussyvyyden säätäminen sivulla 151*.
5. Kiinnitä kaapelin pää keppiin.

## Tuotteen käynnistäminen

1. Käännä kahvasto sivulle. Katso kohta *Kahvaston kallistaminen sivulla 151*.
2. Avaa akun kansi.
3. Aseta ladattu akku akun kannen alle akkupaikkaan numero 1. Pidennä käyttöaikaa asettamalla toinen ladattu akku akkupaikkaan numero 2.
4. Irrota turva-avain turva-avaimen pidikkeestä.
5. Työnnä turva-avain turvalukkoon. (Kuva 34)
6. Seiso tuotteen takana.
7. Paina ohjauspaneelin valmiustilapainiketta (A). Valmiustilan merkkivalo (B) syttyy. (Kuva 35)
8. Paina käynnistys-/pysäytyspainiketta (C), kunnes se jää alas. Moottori käynnistyy.



**HUOMAUTUS:** Älä käytä laitetta, jos varoitusvalo (D) vilkkuu punaisena.

9. Käynnistä terä työntämällä teräsankaa kohti kahvastoa. (Kuva 36)

## Vetojärjestelmän käyttäminen pyörillä

- Käynnistä pyörien veto vetämällä vetojärjestelmän sanka (A) kohti kahvastoa. (Kuva 37)
- Vapauta vetojärjestelmän sanka, jotta pyörien veto kytkeyty pois päältä.

## Kaapelin asennussyvyyden säätäminen

1. Löysää nuppia (A). (Kuva 38)

2. Säädä tukipyörä (B) kaapelin asennussyvyyden mukaan ja kiristä nuppi.

**Huomautus:** Tukipyörän putken sivussa olevat numerot (C) osoittavat kaapelin asennussyvyyden senttimetreinä. Kaapelin asennussyvydeksi voi valita 1–6 cm.

## Kahvaston korkeuden säätäminen

Kahvaston voi säätää viiteen eri korkeuteen.

1. Löysää kahvaa (A) kääntämällä sitä vastapäivään ja irrota nuppi (B). (Kuva 39)
2. Säädä kahvaston korkeus ja asenna nuppi reikään, joka vastaa parhaiten haluttua korkeutta.
3. Lukitse kahva kääntämällä sitä myötäpäivään.

## Kahvaston kallistaminen

Voit kallistaa kahvastoa ja helpottaa siten laitteen käyttöä, jos reitillä on esteitä. Kahvasto voidaan kallistaa neljään asentoon oikealle ja neljään asentoon vasemmalle.

1. Vedä kahvaston kallistussanka (A) kahvaston suuntaan ja pidä sitä paikallaan. Kahvaston kallistussanka on kahvaston vasemmalla puolella alhaalla. (Kuva 40)
2. Kallista kahvasto sopivaan asentoon vasemmalle tai oikealle ja vapauta kallistussanka. Varmista, että kahvaston asennon lukitustappi on paikallaan oikeassa reiässä. (Kuva 41)

## Syöttölaipan kääntötoiminnon lukitseminen

Voit parantaa kaapelin asennustarkkuutta pitkällä suorilla osuuksilla lukitsemalla syöttölaipan kääntötoiminnon.

- Varmista, että syöttölaippa on laitteen kanssa samansuuntainen, ja kiristä kahva (A). (Kuva 42)

## Kaapelinohjaimen säätäminen

Laitte on säädetty 4 mm:n kaapeleille. Jos kaapelin halkaisija on tätä suurempi, ohjainta on säädettävä.

1. Avaa kaksi ruuvia. (Kuva 43)
2. Siirrä kaapelinohjainta ylöspäin muutaman millimetrin verran.
3. Kiristä kaksi ruuvia.

## Raidevälin säätäminen

Pyörien asentoa voidaan säätää eri raidelevyysien mukaan. Akselissa on neljä säätöreikää laitteen molemmilla puolilla. Raidelevydeksi voi säätää 250, 270, 290 tai 310 mm terän keskikohdasta. (Kuva 44)

1. Vedä sokka (A) irti.
2. Säädä pyörät tarvittavan raidelevyden mukaan.

3. Aseta tappi asianmukaiseen akselin reikään (B).
4. Lukitse turvajousi.

## Työskentelyn aloittaminen

Kun kaapeli ja terä on asennettu, käyttäjän on kiinnitettävä kaapeli maahan.

1. Työnnä keppi maahan.
2. Kiinnitä keppiin kaapelinohjaimen alaosasta ulos tuleva kaapelinpää.

## Kaapelinohjaimen käyttäminen kahden kaapelin asennukseen

Jos laite siirtyy pois työskentelyalueen ulkoreunasta, samalla kertaa on asennettava kaksi kaapelia.

1. Asenna yksi kaapeli koko ulkoreunan ympäri. Katso kuvat (A) ja (B). (Kuva 45) (Kuva 46)
2. Kun olet kuvassa (C) olevassa kohdassa, aseta tukipyörä ylimpään asentoon, jotta syöttölaippa nousee maanpinnan yläpuolelle. Kiinnitä kaapeli kepillä ja siirry seuraavaan kohtaan kaapeli maanpinnan yläpuolella. (Kuva 47)
3. Kiinnitä kaapeli keppiin kuvassa (D) näkyvään kohtaan. (Kuva 48)
4. Aseta syöttölaippa oikeaan kaapelin asennussyvyyteen ja asenna kaapeli saarekkeen ympärille. Katso kuva (E). (Kuva 49)
5. Kun tulet kuvaan (F) merkittyyn kohtaan, irrota keppi ja puhdista syöttölaippa. Katso kohta *Syöttölaipan puhdistaminen sivulla 153*. (Kuva 50)

6. Kiinnitä kaapeli kaapelinohjaimen maanpinnan yläpuolella. (Kuva 51)
7. Asenna kaksi kaapelia samanaikaisesti kuvaan (G) merkittyyn kohtaan saakka. Kiinnitä kaapelit keppiin ja irrota toinen kaapeli kaapelinohjaimesta. (Kuva 52)
8. Jatka työskentelyalueen ulkoreunan kaapelin asennusta kuvassa (H) näkyvään kohtaan asti. (Kuva 53)

## Laitteen pysäyttäminen

Laitte sammuu automaattisesti, jos sitä ei käytetä 3 minuuttiin.

1. Pysäytä pyörien veto vapauttamalla vetosanka (A). (Kuva 37)
2. Pysäytä terä vapauttamalla teräsanka. (Kuva 17)
3. Paina ohjauspaneelissa olevaa koneen käynnistys-/pysäytyspainiketta.
4. Paina ohjauspaneelin valmiustilapainiketta.
5. Avaa akun kansi.
6. Irrota turva-avain turvalukosta ja aseta se pidikkeeseensä.
7. Puhdista syöttölaippa kaapimella. Katso kohta *Syöttölaipan puhdistaminen sivulla 153*.
8. Puhdista ja voitele teräpää jokaisen käyttökerran jälkeen. Katso kohta *Teräpään puhdistaminen ja voiteleminen sivulla 153*.

## Huolto

### Johdanto



**VAROITUS:** Ennen minkäänlaisten huoltotöiden aloittamista sinun on luettava turvallisuutta käsittelevä luku niin, että ymmärrät sen sisällön.

Kaikkiin tuotteelle tehtäviin huolto- ja korjaustöihin tarvitaan erityiskoulutus. Takaamme, että tuotteemme huolletaan ja korjataan ammattimaisesti.

Katso lisätietoja kohdasta [www.husqvarna.com](http://www.husqvarna.com).

### Huoltokaavio

Huoltovälit on laskettu laitteen päivittäisen käytön perusteella. Välit voivat muuttua, jos laitetta ei käytetä päivittäin.

Lisätietoja \*-merkillä merkityistä huolloista on kohdassa *Tuotteen turvalaitteet sivulla 148*.

	Jokaisella käyttökerralla	Kuukausittain	Kerran käyttökaudessa
Tee yleistarkastus.	X		
Varmista, että tuotteen turvalaitteissa ei ole vikoja*.	X		
Tarkista terä ja syöttölaippa.	X		
Tarkista teräsanka*.	X		
Varmista, että käynnistys-/pysäytyspainike toimii oikein eikä se ole viallinen.	X		



	Jokaisella käyttökerralla	Kuukausittain	Kerran käyttökaudessa
Tarkista akku vaurioiden varalta.	X		
Tarkista akun varaustila.	X		
Tarkista, että akun vapautuspainikkeet toimivat oikein ja että akku lukittuu laitteeseen.	X		
Puhdista moottorin ilmanottoaukot. Varmista, ettei ilmanottoaukoissa ole ruohoa tai likaa.	X		
Voitele maalaamattomat osat.	X		
Voitele osat, joiden sinkkipinnoite on kulunut.	X		
Puhdista ja voitele teräpää.	X		
Puhdista syöttölaippa.	X		
Tarkista akkulaturi vaurioiden varalta ja varmista, että se toimii oikein		X	
Tarkista akun ja laitteen väliset kytkennät. Tarkista myös akun ja akkulaturin välinen kytkentä.			X

## Syöttölaipan puhdistaminen

- Poista maa-aines kaapimella ja puhdista syöttölaippa. (Kuva 54)

## Syöttölaipan vaihtaminen

- Kallista laitetta eteenpäin ja aseta se hitaasti maahan.
- Irrota kaksi ruuvia (A) ja syöttölaippa (B). (Kuva 55)
- Asenna uusi syöttölaippa päinvastaisessa järjestyksessä.

## Terän vaihtaminen

- Poista ruoho ja lika laitteesta.



**HUOMAUTUS:** Varmista, että terä pysyy puhtaana asennuksen aikana.

**Huomautus:** Puhdista ja voitele teräkotelo aina huollon jälkeen.

- Irrota lyhyt ruuvi (A) ja teräpää (B) ja akselista (C). (Kuva 56)

**Huomautus:** Terän vaihtamiseen tarvitaan 6 mm:n kuusiokoloavain.

- Irrota pitkä ruuvi (D) ja terä (E) teräpäästä.
- Aseta uusi terä teräpään ja asenna pitkä ruuvi.
- Asenna teräpää akseliin.
- Kiristä ruuvit.

## Teräpään puhdistaminen ja voiteleminen

Puhdista teräpää huolellisesti aina käytön jälkeen.

- Kallista laitetta eteenpäin ja aseta se hitaasti maahan.
- Poista ruoho ja lika pehmeällä harjalla.
- Poista pienet ruoho- ja likajäämät paineilmalla.
- Irrota ruuvit (A) teräpäästä (B) ja irrota terä (C). (Kuva 56)
- Löysää kahta ruuvia (D) ja irrota terälaippa (E). (Kuva 57)
- Irrota ruuvi (F) ja irrota teräpää (G) akselista (H). (Kuva 58)
- Puhdista laite paineilmalla. Puhdista laitteesta huolellisesti lika, ruoho ja roskat.
- Poista tarvittaessa rasvalika tarkoitukseen sopivalla liuottimella.
- Puhdista kaikki osat sopivalla liuottimella ja voitele kaikki osat.
- Levitä akseliin vedeltä suojaavaa rasvaa. (Kuva 59)

## Akun ja akkulaturin puhdistaminen



**VAROITUS:** Älä pese akkua tai akkulaturia vedellä.



**VAROITUS:** Älä puhdista akkua kemiallisilla aineilla.

- Varmista, että akku ja akkulaturi ovat puhtaita ja kuivia ennen kuin laitat akun akkulaturiin.
- Puhdista akun liittimet paineilmalla tai pehmeällä, kuivalla liinalla.
- Puhdista akun ja akkulaturin pinnat pehmeällä, kuivalla liinalla.

## Vianmääritys

### Vianmääritys

Jos et löydä ratkaisua ongelmaasi tästä käsikirjasta, ota yhteyttä Husqvarna-huoltoliikkeeseen.

Vika	Syy
Moottori ei käynnisty.	Akkua ei ole ladattu.
	Akkua ei ole asennettu oikein.
	Akku on viallinen.
	Ohjauspaneeli on rikki.
Terä ei pyöri.	Hihna on kulunut loppuun.
	Hihna on irronnut hihnapyöröstä.
	Vipu ei jännitä hihnaa riittävästi.
Terä jatkaa pyörimistä, kun teräsanka vapautetaan.	Teräsangan vajjeri on kulunut tai vaurioitunut.
Laitte ei toimi oikein.	Terä on kulunut tai vaurioitunut.
	Terää ei ole asennettu oikein.
Laitte ei liiku, kun vetosanka on kytkettynä.	Vetosangan vajjeri on kulunut tai vaurioitunut.
	Vaihteiston hihnat ovat kuluneet.
	Ketju on rikki tai se on liian löysällä.
	Vaihteistokotelon sisällä olevat kytkinlevyt ovat kuluneet.
Teräpään irrottaminen ei onnistu.	Laitteessa on likaa.
	Järjestelmä on hapettunut.
Maahan asennetun kaapelin eristys on vaurioitunut.	Kaapelin syöttöaukko syöttölaipassa on vaurioitunut.
	Kaapeliputki terälaipassa on likainen.

### Akku

Akun merkkivalo	Syy	Ratkaisu
Vihreä merkkivalo vilkkuu	Akun jännite on alhainen.	Lataa akku. Katso <i>Akun lataaminen sivulla 150</i> .

Akun merkkivalo	Syy	Ratkaisu
Vian merkkivalo vilkkuu.	Akun varaus on heikko.	Lataa akku. Katso <i>Akku sivulla 154</i> .
	Työympäristön lämpötila on liian korkea tai liian matala.	Käytä akkua -10...40 °C:n lämpötilassa.
	Ylijännite.	Varmista, että verkkojännite vastaa laitteeseen kiinnitettyssä arvokilvessä ilmoitettua jännitettä. Irrota akku akkulatorista. Odota viisi sekuntia ja yritä ladata akkua uudelleen. Jos ongelma jatkuu, ota yhteys hyväksytyyn huoltoliikkeeseen.
Vian merkkivalo palaa.	Akkukennoston väli liian suuri (1 V).	Ota yhteys valtuutettuun huoltoliikkeeseen.

## Akkulaturi

Akkulaturin merkkivalo	Syy	Ratkaisu
Vian merkkivalo vilkkuu.	Työympäristön lämpötila on liian korkea tai liian matala.	Käytä akkulaturia 5...40 °C:n lämpötilassa.
Vian merkkivalo palaa.		Ota yhteys valtuutettuun huoltoliikkeeseen.

## Ohjauspaneeli

Virhekoodi (merkkivalon vilkaidusten määrä)	Mahdolliset viat	Mahdollinen toimenpide
5	Moottorin nopeus laskee liikaa ja moottori pysähtyy.	Puhdista teräpää ja asenna kaapeli lähemmäksi maanpintaa. Katso kohdat <i>Teräpään puhdistaminen ja voiteleminen sivulla 153</i> ja <i>Kaapelin asennussyvyyden säätäminen sivulla 151</i> . Jos virhe ei poistu, ota yhteys hyväksytyyn huoltoliikkeeseen.
8	Akun varaus on heikko.	Lataa akku. Katso kohta <i>Akun lataaminen sivulla 150</i> .
9	Akkuvika tai akusta ei saada signaalia.	Aseta akku laitteeseen oikein ja tarkista akkuliitin. Jos akun vian merkkivalo vilkkuu, katso <i>Akku sivulla 154</i> .
10	Moottorin ohjaus on liian kuuma.	Sammuta moottori ja odota, että se jäähtyy.
Muut virheet	Jos muita virheitä ilmenee, irrota turva-avain ja akku ja ota yhteys valtuutettuun huoltoliikkeeseen.	

# Kuljettaminen, säilyttäminen ja hävittäminen

## Johdanto



**VAROITUS:** Jotta kone ei käynnisty vahingossa kuljetuksen aikana, vedä turva-avain ylös, irrota akku ja odota vähintään viisi sekuntia.

## Kuljettaminen

- Vaarallisten aineiden lainsäädännön määräykset koskevat tuotteessa olevia litiumioniakkuja.
- Tavarakuljetuksessa on noudatettava pakkausta ja merkintöjä koskevia erityismääräyksiä.
- Muista noudattaa vaarallisia aineita koskevia määräyksiä, kun valmistelet laitetta kuljetukseen. Myös mahdollisia paikallisia määräyksiä on noudatettava.
- Irrota akku aina kuljetuksen ajaksi.
- Teippaa akkuliittimet ja varmista, että akku ei pääse liikkumaan kuljetuksen aikana.
- Kiinnitä laite kuljetuksen ajaksi.

## Säilytys

- Anna laitteen jäähtyä ennen varastointia.
- Irrota akku aina säilytyksen ajaksi.
- Onnettomuuksien välttämiseksi varmista, ettei akku ole kytkettynä laitteeseen säilytyksen aikana.
- Säilytä akkulaturia ainoastaan suljetussa ja kuivassa paikassa.
- Säilytä akkua ja akkulaturia kuivassa paikassa, jossa lämpötila ei laske pakkasen puolelle.
- Irrota akku akkulaturista varastoinnin ajaksi.

- Älä säilytä akkua paikassa, jossa on staattista sähköä. Älä säilytä akkua metallilaatikossa.
- Säilytä laitetta paikassa, jonka lämpötila on  $-10...40$  °C.
- Säilytä akkua  $5-25$  °C:n lämpötilassa ja poissa suorasta auringonvalosta.
- Säilytä akkulaturia  $5-45$  °C:n lämpötilassa ja poissa suorasta auringonvalosta.
- Varmista, että akun varaustaso on 30–50 % ennen pitkäaikaista säilytystä.
- Säilytä laitetta, akkua ja akkulaturia lukitussa tilassa lasten ja asiaankuulumattomien henkilöiden ulottumattomissa.
- Puhdista laite.
- Huolla tuote ainoastaan käyttöohjekirjassa annettujen ohjeiden mukaisesti. Katso kohta *Huoltokaavio sivulla 152*.
- Tee täysi huolto ennen pitkäaikaista säilytystä.

## Hävittäminen

Laitteessa tai sen pakkauksessa olevat symbolit osoittavat, ettei laitetta saa hävittää kotitalousjätteen mukana. Se on toimitettava asianmukaiseen sähkö- ja elektroniikkalaitteiden keräyspisteeseen.

Varmistamalla laitteen asianmukaisen hävittämisen autat vähentämään mahdollisia negatiivia ympäristövaikutuksia, joita tämän laitteen virheellisestä hävittämisestä koituisi. Lisätietoja tämän laitteen kierrätyksestä saat ottamalla yhteyden kotikuntasi viranomaisiin, jätehuoltoon tai laitteen myyneeseen liikkeeseen.

(Kuva 60)

## Tekniset tiedot

Terämoottori	
Moottorityyppi	BLDC (harjaton) 36 V
Moottorin nopeus – nimellinopeus, r/min	3 000/min
Moottorin nopeus – suuri kuormitus, r/min	3 300/min
Moottorin teho – enimmäisteho, kW	1,8
Moottorin teho – nimellisteho, kW	1,2
Voimansiirto	Mekaaninen vaihteisto, jossa öljytyt vaihteet
Kytkin	Hihnatyyppinen, hihnapyörä
Paino	
Paino ilman akkua, kg	39

Paino, sisältäen kaksi BLi300-akkaa, kg	43
<b>Akku</b>	
Akkutyyppe	Husqvarna-akkusarja
<b>Akun käyttöaika</b>	
Akun käyttöaika, minuuttia <sup>33</sup>	38
<b>Melupäästöt <sup>34</sup></b>	
Äänitehotaso, mitattu L <sub>WA</sub> dB(A)	84
Äänentehotaso, taattu L <sub>WA</sub> dB(A)	86
<b>Äänitasot <sup>35</sup></b>	
Äänenpainetaso käyttäjän korvan tasalla, dB(A)	66
<b>Tärinätasot <sup>36</sup></b>	
Kahva, m/s <sup>2</sup>	1,8
<b>Kaapelinasennuslaitteet</b>	
Kaapelin asennussyvyys, cm	1–6
Terän ja pyörän reunan välinen etäisyys, mm	250, 270, 290, 310
Pora	597 04 84-01

Hyväksytyt akut	Tuotemerkki	Tyyppi	Akun kapasiteetti, Ah	Jännite, V	Paino, kg
BLi300	Husqvarna	Litiumioni	9,4	36	1,9

Hyväksytyt laturit määrittelyille akuille, BLi	Tuotemerkki	Tulojännite, V	Taajuus, Hz	Teho, W
QC500	Husqvarna	100–240	50–60	500

<sup>33</sup> Vapaa käyttö, mitattuna vakiotilassa, 1Husqvarna 9,4 Ah:n akku (BLi300).

<sup>34</sup> Melupäästö ympäristöön äänitehona (L<sub>WA</sub>) EY-direktiivin 2000/14/EY mukaisesti mitattuna.

<sup>35</sup> Äänenpainetasoista ilmoitettujen tietojen tyypillinen tilastollinen hajonta (keskihajonta) on 1,2 dB(A).

<sup>36</sup> Tärinätasolle ilmoitetuissa tiedoissa tyypillinen tilastollinen hajonta (vakiopoikkeama) on 0,2 m/s<sup>2</sup>. Tärinästandardi EN 1032+A1:2009.

# Vaatimustenmukaisuusvakuutus

## EU-vaatimustenmukaisuusvakuutus

Husqvarna AB, SE-561 82 Huskvarna, Ruotsi, puh. +46  
36 146500, vakuuttaa täten, että tuote:

<b>Kuvaus</b>	Kaapelinasennuskone
<b>Tuotemerkki</b>	Husqvarna
<b>Tyyppi/malli</b>	CL400i
<b>Tunniste</b>	Sarjanumerot vuodesta 2022 alkaen

vastaavat täysin seuraavien EU:n direktiivien ja  
asetusten vaatimuksia:

<b>Asetus</b>	<b>Kuvaus</b>
2006/42/EC	konedirektiivi
2014/30/EU	EMC-direktiivi
2011/65/EU	Direktiivi tiettyjen vaarallisten aineiden käytön rajoittamisesta sähkö- ja elektroniikkalaitteissa

ja että asiassa sovelletaan seuraavia standardeja  
ja/tai teknisiä tietoja: EN ISO 12100:2010, EN ISO  
14119:2013, EN ISO 14120:2015, EN ISO 13857:2019,  
EN 62841-1:2015+AC:2015, EN ISO 11202:2010, EN  
1032:2009, EN 55014-1:2017, EN 55014-2:2015, EN  
63000:2018.

Katso lisätietoja melupäästöistä osiosta *Tekniset tiedot*  
sivulla 156.

Huskvarna, 2022-03-21



Claes Losdal, kehityspäällikkö/puutarhatuotteet,  
Husqvarna AB

Teknisestä dokumentaatiosta vastaava edustaja



---

## Sommaire

---

Introduction.....	159	Dépannage.....	170
Sécurité.....	160	Transport, entreposage et mise au rebut.....	173
Montage.....	165	Caractéristiques techniques.....	173
Utilisation.....	165	Déclaration de conformité.....	176
Entretien.....	169		

---

## Introduction

---

### Description du produit

Le produit est une poseuse de câble à pousser.

### Aperçu du produit

(Fig. 1)

1. Manette d'opération de forage
2. Manette d'inclinaison du guidon
3. Manette de commande
4. Compteur
5. Enrouleur de câble
6. Ailette d'alimentation
7. Foret
8. Panneau de commande
9. Clé de sécurité
10. Batterie (accessoire)
11. Chargeur de batterie (accessoire)
12. Manuel de l'opérateur

### Symboles concernant le produit

- (Fig. 2)      **AVERTISSEMENT**
- (Fig. 3)      Avertissement : Pièces en rotation.  
Gardez les mains et les pieds à l'écart.
- (Fig. 4)      Attention : projections et ricochets.
- (Fig. 5)      Lisez les instructions.
- (Fig. 6)      Maintenez les personnes et les animaux  
à une distance suffisante de la zone de  
travail.
- (Fig. 7)      Risque de blessures aux yeux pour les  
personnes à proximité.
- (Fig. 8)      Ne les exposez pas à la pluie.
- (Fig. 9)      Utilisez une visière de protection.
- (Fig. 10)     Mode veille (bouton noir).

### Utilisation prévue

Utilisez ce produit pour placer le câble périphérique et le câble guide des robots tondeuses dans le sol. N'utilisez pas ce produit pour d'autres travaux.

- (Fig. 10)     Démarrage et arrêt du moteur  
(bouton rouge).
- (Fig. 11)     Le produit ou son emballage ne font pas  
partie des ordures ménagères. Déposez-  
le dans une station de recyclage pour  
équipements électriques et électroniques.
- (Fig. 12)     Le produit est conforme aux directives CE  
en vigueur.
- (Fig. 13)     Ce produit est conforme aux directives en  
vigueur au Royaume-Uni.
- (Fig. 14)     Étiquette relative aux émissions sonores  
dans l'environnement selon les directives  
et réglementations européennes et du  
Royaume-Uni et la législation de la  
Nouvelle-Galles du Sud « Protection  
of the Environment Operations (Noise  
Control) Regulation 2017 ». Le niveau  
de puissance sonore garanti du produit  
est spécifié à la section *Caractéristiques  
techniques à la page 173* et sur l'étiquette.
- (Fig. 15)     Le produit est protégé contre les gouttes  
d'eau.

---

**Remarque:** les autres symboles/autocollants  
présents sur le produit concernent des exigences de  
certification spécifiques à certains marchés.

---

### Endommagement du produit

Nous ne sommes pas responsables des dommages  
subis par le produit si :

- le produit n'est pas correctement réparé ;

- le produit est réparé avec des pièces qui ne proviennent pas du fabricant ou qui ne sont pas homologuées par le fabricant ;
- le produit est équipé d'un accessoire qui ne provient pas du fabricant ou qui n'est pas homologué par le fabricant ;

- le produit n'est pas réparé par un centre d'entretien agréé ou par une autorité homologuée.

---

## Sécurité

---

### Définitions de sécurité

Des avertissements, des recommandations et des remarques sont utilisés pour souligner des parties spécialement importantes du manuel.



**AVERTISSEMENT:** Symbole utilisé en cas de risque de blessures ou de mort pour l'opérateur ou les personnes à proximité si les instructions du manuel ne sont pas respectées.



**REMARQUE:** Symbole utilisé en cas de risque de dommages pour le produit, d'autres matériaux ou les environs si les instructions du manuel ne sont pas respectées.

**Remarque:** Symbole utilisé pour donner des informations supplémentaires pour une situation donnée.

### Consignes générales de sécurité des produits



**AVERTISSEMENT:** Lisez l'ensemble des avertissements de sécurité, des consignes, des illustrations et des spécifications fournies avec ce produit. Le non-respect des consignes énumérées ci-dessous peut être à l'origine d'un choc électrique, d'un incendie et/ou de blessures graves.

**Conservez toutes ces consignes et instructions pour toute consultation ultérieure.** Le terme « produit » utilisé dans les avertissements fait référence à votre produit sur secteur (filaire) ou à votre produit alimenté par batterie (sans fil).

### Sécurité dans l'espace de travail

- **Maintenez un espace de travail propre et bien éclairé.** Les espaces encombrés ou sombres exposent à des accidents.
- **Ne l'utilisez pas dans des atmosphères explosives, en présence de gaz, de poussières ou de liquides inflammables par exemple.** Le produit provoque des

étincelles qui peuvent enflammer la poussière ou les vapeurs.

- **Tenez les enfants et les spectateurs à distance lorsque le produit est en marche.** Un moment d'inattention peut vous faire perdre le contrôle.

### Sécurité électrique

- **Les fiches des produits doivent être compatibles avec la prise. N'apportez jamais de modifications à la fiche. N'utilisez pas d'adaptateurs avec des produits mis à la terre.** Des fiches non modifiées et des prises compatibles réduisent le risque de choc électrique.
- **Évitez tout contact physique avec les surfaces mises à la terre telles que les tuyaux, les radiateurs, les cuisinières et les réfrigérateurs.** Le risque d'électrocution est plus important si le corps est relié à la terre.
- **Protégez les produits de la pluie et de l'humidité.** Toute infiltration d'eau dans un produit augmente le risque d'électrocution.
- **Ne malmenez pas le cordon. N'utilisez jamais le cordon pour porter, tirer ou débrancher le produit. Maintenez le cordon d'alimentation à l'écart de la chaleur, de bords tranchants ou de pièces en mouvement.** Les fils endommagés ou emmêlés augmentent le risque de choc électrique.
- **Lorsqu'un produit est utilisé en extérieur, installez une rallonge adaptée à un usage extérieur.** L'utilisation d'un cordon d'alimentation pour usage extérieur réduit le risque d'électrocution.
- **Si vous n'avez pas d'autre choix que d'utiliser un produit dans un endroit humide, utilisez une alimentation protégée par un disjoncteur différentiel de fuite à la terre (RCD).** L'utilisation d'un RCD réduit le risque de choc électrique.

### Sécurité du personnel

- **Restez attentif, regardez ce que vous faites et ayez recours à votre bon sens lorsque vous utilisez un produit. N'utilisez pas un produit si vous êtes fatigué ou sous l'emprise de drogues, d'alcool ou de médicaments.** Un moment d'inattention pendant l'utilisation des produits peut entraîner des blessures corporelles graves.
- **Utilisez un équipement de protection personnelle. Travaillez toujours avec des lunettes de protection.** Les équipements de protection tels que le masque anti-poussière, les chaussures de sécurité antidérapantes, le casque ou le protège-oreilles



utilisés dans des conditions appropriées réduisent les blessures corporelles.

- **Évitez tout démarrage intempestif. Vérifiez que l'interrupteur est en position d'arrêt avant de brancher le produit sur l'alimentation et/ou la batterie, de le ramasser ou de le transporter.** Le fait de garder le doigt sur l'interrupteur pendant le transport des produits ou de mettre les produits sous tension alors que l'interrupteur est en position de marche entraîne un risque d'accident.
- **Retirez toute clé ou clavette de réglage avant de mettre le produit sous tension.** Une clé ou une clavette reliée à une pièce rotative du produit peut entraîner des blessures corporelles.
- **Ne vous éloignez pas trop. Restez toujours en équilibre et sur vos appuis.** Cela favorise le contrôle du produit dans les situations inattendues.
- **Habilitez-vous correctement. Ne portez jamais de vêtements amples ou de bijoux. Éloignez vos cheveux et vos vêtements des pièces mobiles.** Les vêtements amples, les bijoux et les cheveux longs peuvent être happés par les pièces en mouvement.
- **Si des dispositifs sont fournis pour raccorder des systèmes de collecte et d'extraction de la poussière, vérifiez qu'ils sont correctement branchés et utilisés.** L'utilisation de systèmes de collecte de poussière peut réduire les risques associés à la poussière.
- **La connaissance des produits, acquise par l'usage fréquent de ces derniers, ne doit pas vous dispenser d'être prudent et d'appliquer les principes de sécurité.** Une action inconsidérée peut provoquer de graves blessures en une fraction de seconde.

## Utilisation et entretien du produit

- **Ne forcez pas le produit. Utilisez le produit convenant à l'application.** Le produit approprié réalisera mieux son travail et de façon plus sûre, à la vitesse pour laquelle il a été conçu.
- **N'utilisez pas le produit si l'interrupteur ne permet pas la mise sous tension ou l'arrêt.** Tout produit impossible à commander avec l'interrupteur est dangereux et doit être réparé.
- **Débranchez la fiche de la prise et/ou retirez la batterie, si celle-ci est amovible, avant de procéder aux réglages, de changer les accessoires ou de stocker les produits.** Ces mesures de sécurité préventive réduisent le risque de mise sous tension accidentelle du produit.
- **Rangez les produits hors de la portée des enfants et ne laissez pas des personnes qui ne connaissent pas le produit ou ces consignes utiliser le produit.** Les produits sont dangereux s'ils se retrouvent entre les mains d'utilisateurs non formés.
- **Veillez à entretenir les produits et leurs accessoires. Vérifiez que des pièces en mouvement ne sont pas désalignées ou grippées, que des composants ne sont pas cassés ou détériorés de façon telle à nuire au bon fonctionnement du produit. S'il est endommagé, faites réparer le produit avant toute**

**réutilisation.** De nombreux accidents sont dus à des produits mal entretenus.

- **Maintenez les outils tranchants aiguisés et propres.** Des outils tranchants correctement entretenus avec des bords aiguisés sont moins susceptibles de se coincer et sont plus faciles à contrôler.
- **Utilisez le produit, les accessoires, les mèches, etc. en suivant ces consignes et en tenant compte des conditions de travail et de la tâche à réaliser.** L'utilisation du produit pour des opérations autres que celles pour lesquelles il a été prévu peut entraîner des situations dangereuses.
- **Les poignées et les surfaces de maintien doivent toujours être propres, sèches et sans traces d'huile ni de graisse.** Les poignées et les surfaces de maintien glissantes ne permettent pas une manipulation et un contrôle sûrs du produit dans des situations inattendues.

## Service

- **Confiez l'entretien de votre produit à un mécanicien qualifié qui utilisera uniquement des pièces de rechange identiques.** Cela permet de garantir la sécurité du produit.
- **Ne jamais entretenir des batteries endommagées.** L'entretien des batteries doit être effectué uniquement par le fabricant ou des fournisseurs de services agréés.

## Utilisation et entretien d'un outil à batterie

- **Ne rechargez la machine qu'avec le chargeur indiqué par le fabricant.** Un chargeur convenant à un type de bloc de batteries particulier peut entraîner un risque d'incendie s'il est utilisé avec un autre bloc.
- **Utilisez les produits uniquement avec les batteries spécifiquement préconisées.** L'utilisation d'une autre batterie peut entraîner un risque de blessure et d'incendie.
- **Lorsque la batterie n'est pas utilisée, maintenez-la à distance d'objets métalliques, tels que des trombones, pièces de monnaie, clés, clous, vis, ou autres petits objets en métal risquant de relier une borne à l'autre.** Court-circuiter les bornes de batterie entraîne un risque de brûlures et d'incendie.
- **En cas d'utilisation abusive, du liquide peut s'échapper de la batterie ; évitez tout contact. En cas de contact accidentel, rincez à l'eau. En cas de contact avec les yeux, consultez un médecin.** Le liquide échappé de la batterie peut causer irritations et brûlures.
- **N'utilisez pas un bloc batterie ou un outil endommagé ou modifié.** Les batteries endommagées ou modifiées peuvent présenter un comportement imprévisible pouvant provoquer un incendie, une explosion ou un risque de blessure.
- **N'exposez pas un bloc batterie ou un outil au feu ou à des températures trop élevées.** L'exposition au feu ou à des températures supérieures à 130 °C / 265 °F peut provoquer une explosion.

- **Respectez toutes les instructions de charge et ne chargez pas le bloc batterie ou l'outil en dehors de la plage de température spécifiée dans les instructions.** Ne pas charger la batterie correctement ou la charger à des températures comprises en dehors de la plage spécifiée peut endommager la batterie et augmenter le risque d'incendie.

## Instructions générales de sécurité



**AVERTISSEMENT:** lisez les instructions qui suivent avant d'utiliser le produit.

- Ce produit est dangereux s'il est utilisé de manière incorrecte ou imprudente. Des blessures graves ou mortelles peuvent se produire si vous ne respectez pas les instructions de sécurité.
- Ce produit génère un champ électromagnétique durant son fonctionnement. Ce champ peut dans certaines circonstances perturber le fonctionnement d'implants médicaux actifs ou passifs. Pour réduire le risque de blessures graves ou mortelles, nous recommandons aux personnes portant des implants médicaux de consulter leur médecin et le fabricant de leurs implants avant d'utiliser ce produit.
- Soyez toujours prudent et utilisez votre bon sens. Si vous ne savez pas comment faire fonctionner le produit dans une situation particulière, ne l'utilisez pas et contactez votre revendeur Husqvarna avant de poursuivre.
- N'oubliez pas que l'opérateur sera tenu responsable des accidents occasionnés à des tiers et à leurs biens.
- Maintenez le produit propre. Assurez-vous que vous pouvez lire clairement les avertissements et les autocollants.
- N'autorisez jamais des enfants ou des personnes qui ne sont pas familiarisées avec ces instructions à se servir de cet appareil. Les réglementations locales peuvent limiter l'âge de l'utilisateur.
- Surveillez constamment les personnes aux capacités physiques ou mentales réduites qui utilisent ce produit. Un adulte responsable doit être présent à tout moment.
- N'utilisez jamais le produit si vous êtes fatigué ou malade, ou si vous êtes sous l'emprise d'alcool, de drogues ou de médicaments. Cela a un effet négatif sur votre vision, votre vigilance, votre coordination et votre jugement.
- N'utilisez pas le produit s'il est endommagé ou s'il ne fonctionne pas correctement.
- Ne modifiez jamais le produit et ne l'utilisez jamais s'il est susceptible d'avoir été modifié par un tiers.

## Sécurité du travail



**AVERTISSEMENT:** Lisez les instructions qui suivent avant d'utiliser le produit.

- Utilisez ce produit pour placer le câble périphérique et le câble guide des robots tondeuses dans le sol. N'utilisez pas ce produit pour d'autres travaux.
- Utilisez un équipement de protection personnelle. Reportez-vous à la section *Équipement de protection individuel* à la page 163.
- Assurez-vous de savoir comment couper le moteur rapidement en cas d'urgence.
- Le produit ne doit pas être exposé à la pluie ou à l'humidité. Le risque de choc électrique augmente si de l'eau pénètre dans le produit.
- Faites fonctionner le produit uniquement si le foret et tous les couvercles sont fixés correctement. Un foret fixé de manière inadéquate risque de se détacher et de causer des blessures.
- Retirez les objets tels que les branches, les brindilles et les pierres de la zone de travail avant d'utiliser le produit.
- Les objets heurtant l'équipement de pose de câble peuvent être éjectés et causer des blessures ou des dégâts matériels. Maintenez les personnes aux alentours et les animaux à une distance suffisante du produit.
- N'utilisez jamais le produit par mauvais temps, par exemple en cas de brouillard, de pluie, de vent violent, de froid intense et de risque d'éclair. Utiliser le produit par mauvais temps ou dans des environnements humides est fatigant. Le mauvais temps peut rendre les conditions de travail dangereuses : des surfaces peuvent par exemple devenir glissantes.
- Identifiez les éventuels personnes, objets et situations susceptibles de nuire à la sécurité du fonctionnement du produit.
- Soyez attentif aux obstacles tels que les racines, les pierres, les brindilles, les fosses et les fossés. L'herbe haute peut cacher des obstacles.
- N'utilisez pas le produit sur un sol dont la pente est supérieure à 15°.
- Faites très attention lorsque vous changez de direction sur des surfaces en pente. Faites fonctionner le produit en travers de la courbe de la pente, jamais de haut en bas.
- Soyez prudent lorsque vous vous approchez de coins cachés et d'objets qui empêchent d'avoir une vue dégagée.
- Assurez-vous que le foret ne heurte pas des objets tels que des pierres et des racines. Cela peut endommager le foret et tordre l'arbre du moteur. Un arbre de moteur tordu génère de fortes vibrations, il y a alors un risque important que le foret se détache.
- Arrêtez immédiatement le produit s'il vibre ou si le foret heurte un objet. Arrêtez le moteur,

tirez la clé de sécurité vers le haut et retirez la batterie. Attendez l'arrêt des pièces mobiles. Vérifiez que le produit n'est pas endommagé. Serrez les pièces desserrées. Réparez les dommages et remplacez les pièces endommagées. Faites réaliser les réparations par un agent d'entretien agréé.

- N'attachez pas la manette d'opération de forage en permanence à la poignée de commande quand le moteur est mis en marche.
- Placez le produit sur une surface stable et plane, puis lancez-le.
- Restez toujours derrière le produit lorsque vous l'utilisez.
- Faites reposer toutes les roues sur le sol et conservez vos deux mains sur la poignée lorsque vous faites fonctionner le produit.
- Maintenez les mains et les pieds à distance du foret en rotation.
- N'inclinez pas le produit lorsque vous démarrez le moteur ou pendant le fonctionnement du produit.
- Soyez prudent lorsque vous tirez le produit vers l'avant.
- Ne soulevez pas le produit quand le moteur est mis en marche. Si vous devez soulever le produit, arrêtez d'abord le moteur, tournez la clé de sécurité vers le haut et retirez la batterie.
- Ne marchez pas vers l'arrière lorsque vous utilisez le produit.
- Relâchez la manette d'opération de forage pour arrêter le foret lorsqu'il est nécessaire d'incliner le produit pour le transport.
- Ne courez pas lorsque vous utilisez le produit et que le moteur est mis en marche. Vous devez toujours marcher lorsque vous utilisez le produit.
- Arrêtez le moteur avant de modifier la profondeur de pose de câble. N'effectuez pas de réglages pendant que le moteur tourne.
- Ne quittez pas le produit des yeux pendant que le moteur tourne. Arrêtez le moteur et assurez-vous que le foret ne tourne pas.
- Les vibrations dans le produit pendant le fonctionnement peuvent être différentes de la valeur de vibration déclarée ici *Caractéristiques techniques à la page 173*. Cette différence est due à des variations dans la façon d'utiliser le produit. Si vous utilisez le produit fréquemment ou pendant de longues périodes, faites régulièrement des pauses pour éviter les blessures dues aux vibrations.

## Instructions de sécurité pour le fonctionnement

Lisez les instructions qui suivent avant d'utiliser le produit.

- Assurez-vous que le câble sur le guide-câble est intact.
- Assurez-vous que le tube monté dans l'ailette d'alimentation est intact. Remplacez le tube s'il est usé ou endommagé.

(Fig. 16)

- Assurez-vous que le bord autour du trou n'est ni tranchant ni endommagé. Remplacez le guide-câble s'il est endommagé.
- Assurez-vous que toutes les vis sont serrées.
- Assurez-vous que tous les leviers sont au point mort.

## Équipement de protection individuel



**AVERTISSEMENT:** Lisez les instructions qui suivent avant d'utiliser le produit.

- L'équipement de protection individuel ne protège pas complètement des blessures, mais il diminue la gravité des blessures en cas d'accident. Faites appel à votre revendeur pour vous aider à sélectionner l'équipement adéquat.
- Portez des bottes ou chaussures antidérapantes à usage intensif. Ne portez pas de chaussures ouvertes et ne soyez pas pieds nus lorsque vous utilisez le produit.
- Utilisez des pantalons longs et épais.
- Portez des gants de protection en cas de besoin, par exemple lorsque vous fixez, examinez ou nettoyez l'équipement de pose de câble.
- Nous vous recommandons d'utiliser une protection auditive.

## Dispositifs de sécurité sur le produit



**AVERTISSEMENT:** lisez les instructions qui suivent avant d'utiliser le produit.

- N'utilisez pas un produit dont les dispositifs de sécurité sont endommagés ou ne fonctionnent pas correctement.
- Ne retirez ou ne modifiez pas les dispositifs de sécurité.
- Contrôlez les dispositifs de sécurité régulièrement. Si les dispositifs de sécurité sont endommagés ou ne fonctionnent pas correctement, contactez votre agent d'entretien Husqvarna.

## Clé de sécurité

La clé de sécurité se trouve sous le couvercle de la batterie. La clé de sécurité est reliée à la batterie qui alimente le moteur.

## Pour contrôler la clé de sécurité

La clé de sécurité est reliée à la batterie qui alimente le moteur.

- Démarrez et arrêtez le moteur. Si la clé de sécurité fonctionne correctement, le moteur démarre seulement lorsque la clé de sécurité se trouve dans le verrou de sécurité.

## Manette d'opération de forage

La manette d'opération de forage arrête le foret. Lorsque la manette d'opération de forage est relâchée, le foret s'arrête.

Pour inspecter la manette d'opération de forage, démarrez le moteur, puis relâchez la manette d'opération de forage. Si le foret ne s'arrête pas dans les 3 secondes, contactez un agent d'entretien Husqvarna agréé.

(Fig. 17)

## Consignes de sécurité relatives à l'utilisation de la batterie



**AVERTISSEMENT:** lisez les instructions qui suivent avant d'utiliser le produit.

- Utilisez des batteries rechargeables Husqvarna pour alimenter les produits Husqvarna uniquement. Afin d'éviter toute blessure, n'utilisez pas la batterie comme source d'alimentation pour d'autres produits.
- N'utilisez pas de batteries non rechargeables.
- Risque de choc électrique. Ne branchez pas les bornes de la batterie à des clés, des pièces de monnaie, des vis ou tout autre élément métallique. Cela peut provoquer un court-circuit de la batterie.
- Ne placez pas d'objets dans les fentes d'aération de la batterie.
- Protégez la batterie des rayons directs du soleil, de la chaleur et des flammes nues. La batterie peut exploser et provoquer des brûlures et/ou des brûlures chimiques.
- Protégez la batterie de la pluie et de l'humidité.
- Protégez la batterie des micro-ondes et des hautes pressions.
- N'essayez pas de démonter ou de casser la batterie.
- En cas de fuite de la batterie, ne laissez pas le liquide entrer en contact avec votre peau ou vos yeux. Si vous avez touché le liquide, nettoyez la zone avec beaucoup d'eau et contactez un médecin.
- N'utilisez la batterie du produit que si la température ambiante est comprise entre 5 °C et 40 °C.
- N'utilisez le chargeur de batterie que si la température ambiante est comprise entre 5 °C et 40 °C.
- La batterie ne charge pas si la température de la batterie est supérieure à 50 °C.
- Ne nettoyez pas la batterie ou le chargeur de batterie avec de l'eau. Reportez-vous à la section *Pour nettoyer la batterie et le chargeur de batterie à la page 170.*
- N'utilisez pas une batterie endommagée.
- Conservez les batteries à distance des objets métalliques, tels que les clous, les pièces de monnaie ou les bijoux.

## Consignes de sécurité relatives au chargeur de batterie



**AVERTISSEMENT:** lisez les instructions qui suivent avant d'utiliser le produit.

- Utilisez uniquement des chargeurs de batterie QC pour charger les batteries de rechange Husqvarna.
- Risque de choc électrique ou de court-circuit. Ne placez pas d'objets dans les fentes d'aération du chargeur. N'essayez pas de démonter le chargeur de batterie. Ne raccordez pas les bornes du chargeur à des objets métalliques. Utilisez une prise de courant murale homologuée.
- Ce produit génère un champ électromagnétique durant son fonctionnement. Ce champ peut dans certaines circonstances perturber le fonctionnement d'implants médicaux actifs ou passifs. Pour réduire le risque de blessures graves ou mortelles, les personnes portant des implants médicaux doivent consulter leur médecin et le fabricant de leur implant avant d'utiliser cet appareil.
- Assurez-vous régulièrement que le cordon d'alimentation du chargeur de batterie n'est pas endommagé et qu'il ne présente aucune fissure.
- Ne soulevez pas le chargeur de batterie par le cordon d'alimentation. Pour débrancher le chargeur de batterie d'une prise de courant murale, tirez sur la fiche. Ne tirez pas le cordon d'alimentation.
- Conservez le cordon d'alimentation et les rallonges à l'abri de l'eau, de l'huile et des bords tranchants. Veillez à ce que le câble ne soit pas coincé dans des portes, des clôtures ou tout autre élément similaire. Le chargeur pourrait être mis sous tension.
- Ne nettoyez pas le chargeur de batterie avec de l'eau.
- Ce chargeur de batterie peut être utilisé par des enfants âgés de 8 ans et plus et par des personnes ayant des handicaps physiques, sensoriels ou mentaux ou manquant d'expérience et de connaissances, à condition qu'ils soient sous surveillance ou qu'ils aient reçu les instructions appropriées concernant l'utilisation du chargeur de batterie en toute sécurité et qu'ils aient bien compris les risques encourus. Les enfants ne doivent pas jouer avec le chargeur de batterie. Le nettoyage et les opérations d'entretien à effectuer par l'utilisateur ne doivent pas être réalisés par des enfants laissés sans surveillance.
- Ne placez aucune batterie non rechargeable dans le chargeur de batterie.
- N'utilisez pas le chargeur de batterie à proximité de matériaux inflammables ou de matériaux pouvant provoquer la formation de corrosion. Ne recouvrez pas le chargeur de batterie. En cas de dégagement de fumée ou de début d'incendie, débranchez aussitôt la fiche reliée au chargeur de batterie.
- N'utilisez pas de chargeur de batterie endommagé.

- Rechargez la batterie uniquement en intérieur, dans un endroit bien aéré et à l'abri de la lumière du soleil. Ne rechargez pas la batterie dans des conditions humides.

## Instructions de sécurité pour l'entretien



**AVERTISSEMENT:** Lisez les instructions qui suivent avant d'utiliser le produit.

- Retirez la clé de sécurité avant de procéder à l'entretien du produit.
  - Effectuez l'entretien correctement afin de prolonger la durée de vie du produit et de réduire les risques d'accident. Faites réaliser les réparations professionnelles par un agent d'entretien agréé. Contactez votre agent d'entretien le plus proche pour plus d'informations.
  - Effectuez uniquement les tâches d'entretien décrites dans le présent manuel d'utilisation.
- Utilisez des gants de travail épais lorsque vous touchez l'équipement de pose de câble.
  - Maintenez le produit propre pour obtenir des performances optimales et sûres.
  - Laissez à l'agent d'entretien le soin de contrôler régulièrement le produit et d'effectuer les réglages et les réparations nécessaires.
  - Remplacez les pièces endommagées, usées ou cassées.
  - Respectez les instructions relatives au remplacement des accessoires. Utilisez uniquement des accessoires obtenus auprès du fabricant.
  - Lorsqu'ils ne sont pas utilisés, conservez le produit avec la batterie et le chargeur de batterie à part dans un endroit sec, en intérieur et verrouillé. Veillez à ce que les enfants et les personnes non autorisées ne puissent avoir accès au produit, à la batterie ou au chargeur de batterie.

## Montage

### Introduction



**AVERTISSEMENT:** Assurez-vous de lire et de comprendre le chapitre dédié à la sécurité avant de monter l'appareil.

### Installation du foret

1. Placez le foret (A) dans la tête de forage (B) et installez la vis longue (C). (Fig. 18)

**Remarque:** une clé à six pans de 6 mm est nécessaire pour installer le foret.

2. Installez la tête de forage sur l'arbre (D) à l'aide de la vis courte (E).
3. Serrez les vis.

### Installation du câble

Le produit est équipé d'un enrouleur de câble à embrayage amovible.

1. Placez le câble sur l'enrouleur de câble. Utilisez le bouton pour faire tourner l'enrouleur de câble dans le sens des aiguilles d'une montre.

**Remarque:** le câble doit être installé dans le sens des aiguilles d'une montre sur l'enrouleur de câble afin qu'il se déroule sans à-coups pendant le fonctionnement.(Fig. 19)

2. Poussez le câble dans le tube à l'intérieur de l'ailette d'alimentation (A) jusqu'à ce qu'il ressorte par le bas (B) sur environ 5 cm. (Fig. 20)

### Installation et retrait de l'enrouleur de câble

1. Desserrez la manette (A). (Fig. 21)
2. Retirez la pièce de retenue (B).
3. Retirez l'enrouleur de câble (C).
4. Installez l'enrouleur de câble (D). Utilisez l'adaptateur si nécessaire. (Fig. 22)
5. Installez la pièce de retenue (E) et serrez le bouton (F).

## Utilisation

### Introduction



**AVERTISSEMENT:** Avant d'utiliser le produit, vous devez lire et comprendre le chapitre sur la sécurité.

### Husqvarna Fleet Services™

Husqvarna Fleet Services™ est une solution cloud qui donne à l'utilisateur un aperçu de tous les produits qui sont connectés. Un capteur Husqvarna Fleet Services™ peut être installé sur ce produit. Le capteur Husqvarna Fleet Services™ recueille les données relatives au produit et vous connecte au système Husqvarna Fleet Services™. Le système Husqvarna Fleet Services™ effectue un compte-rendu de certaines données, comme

la durée de fonctionnement, les intervalles d'entretien et l'emplacement du produit.

Pour plus d'informations sur Husqvarna Fleet Services™, téléchargez l'application Husqvarna Fleet Services™ ou contactez votre représentant Husqvarna.

### Pour préparer le capteur (accessoire)

1. Utilisez la clé du capteur pour ouvrir le couvercle du capteur. (Fig. 23)
2. Retirez le capteur.
3. Connectez la batterie au capteur. La LED du capteur s'allume. (Fig. 24)
4. Téléchargez l'application Husqvarna Fleet Services™.
5. Connectez-vous à l'application Husqvarna Fleet Services™.
6. Effectuez une opération d'appairage. Reportez-vous à la section *Pour effectuer une opération d'appairage entre l'application et le produit à la page 166*

### Pour effectuer une opération d'appairage entre l'application et le produit

1. Connectez-vous à l'application Husqvarna Fleet Services™.
2. Sélectionnez votre produit dans l'application.
3. Scannez le code situé derrière le capteur avec votre appareil mobile pour installer le capteur dans l'application.

**Remarque:** L'opération d'appairage entre l'application et le produit ne doit être effectuée qu'une seule fois.

### Pour installer le capteur

1. Assurez-vous que le capteur est connecté à l'application Husqvarna Fleet Services™. Reportez-vous à la section *Pour effectuer une opération d'appairage entre l'application et le produit à la page 166*.
2. Pratiquez 2 trous à côté des marques dans la fente du boîtier. (Fig. 25)

**Remarque:** Assurez-vous que les dimensions des orifices sont identiques à celles des rivets fournis avec le capteur.

3. À l'aide d'une pince, retirez les orifices extérieurs de la fente du capteur. (Fig. 26)
4. Pratiquez 2 trous à côté des marques dans la fente du capteur. (Fig. 27)
5. Alignez la fente du capteur sur la fente du boîtier. (Fig. 28)
6. Fixez la fente du capteur avec les rivets.

7. Installez le capteur dans la fente du capteur. Alignez la marque blanche du capteur sur la marque de la fente du capteur. (Fig. 29)
8. Fermez le couvercle du capteur et verrouillez-le à l'aide de la clé du capteur. Assurez-vous que la partie supérieure des points « H » Husqvarna est écartée de la clé de sécurité. (Fig. 30)

### Batterie



**AVERTISSEMENT:** Avant d'utiliser la batterie, vous devez lire et comprendre le chapitre sur la sécurité. Vous devez également lire et comprendre le manuel d'utilisation de la batterie et du chargeur de batterie.

Maintenez la batterie et le chargeur de batterie à des températures ambiantes correctes.

	Température ambiante
Fonctionnement de la batterie	5 °C à 40 °C
Charge de la batterie	5 °C à 40 °C

### État de la batterie

L'écran indique la capacité restante de la batterie ainsi que tout problème éventuel lié à la batterie. La capacité de la batterie s'affiche pendant 5 secondes après l'arrêt du produit ou l'enfoncement du bouton d'indicateur de batterie. Le symbole d'avertissement sur la batterie s'allume en cas d'erreur. Consultez la section *Batterie à la page 171*.

(Fig. 31)

Voyants DEL	État de la batterie
Toutes les DEL sont allumées	Batterie complètement chargée (75-100 %)
Les DEL 1, DEL 2 et DEL 3 sont allumées	La batterie est chargée à 50 %-75 %
Les DEL 1 et DEL 2 sont allumées	La batterie est chargée à 25 %-50 %
La DEL 1 est allumée	La batterie est chargée à 0 %-25 %.
La DEL 1 clignote	La batterie est vide. Rechargez la batterie.

### Pour charger la batterie

Chargez la batterie avant la première utilisation. La batterie n'est chargée qu'à 30 % au moment de sa livraison au client.

**Remarque:** Le chargeur de batterie doit être raccordé à la tension et à la fréquence indiquées sur la plaque signalétique.

La batterie ne se charge pas si la température de la batterie est supérieure à 50 °C. Le chargeur de batterie diminue la température de la batterie avant le début de la charge.

1. Branchez une extrémité du cordon d'alimentation du chargeur de batterie dans la prise du chargeur de batterie.
2. Branchez l'autre extrémité du cordon d'alimentation du chargeur de batterie dans une prise secteur mise à la masse. La DEL sur le chargeur de batterie clignote une fois en vert. (Fig. 32)
3. Placez la batterie dans le chargeur de batterie. Le témoin vert du chargeur s'allume lorsque la batterie est correctement branchée au chargeur de batterie. (Fig. 33)
4. La batterie est totalement rechargée quand toutes les DEL sur la batterie sont allumées. Chargez la batterie pendant 24 heures au maximum.
5. Pour débrancher le chargeur de batterie de la prise secteur, tirez sur la fiche et non sur le cordon d'alimentation.
6. Dégagez la batterie du chargeur de batterie.

### Niveau de charge de la batterie

Une batterie au lithium-ion Husqvarna peut être chargée ou utilisée à tous les niveaux de charge. Vous n'endommagerez pas la batterie. Une batterie pleine ne perdra pas sa charge même si elle est laissée dans le chargeur.

Affichage à DEL	État de charge
La DEL 1 clignote	0 %-25 %
La DEL 1 est allumée, la DEL 2 clignote	25 %-50 %
Les DEL 1 et 2 sont allumées, la DEL 3 clignote	50 %-75 %
Les DEL 1, 2 et 3 sont allumées, la DEL 4 clignote	75 %-100 %
Les DEL 1, 2, 3 et 4 sont allumées	Batterie complètement chargée

### À faire avant de démarrer le produit

1. Arrosez le sol un jour avant d'effectuer le travail en été ou en présence de terre sèche.
2. Assurez-vous que les personnes et les animaux se trouvent à au moins 20 m du produit.
3. Placez le câble sur l'enrouleur de câble. Reportez-vous à la section *Installation du câble à la page 165*.

4. Réglez la profondeur de pose de câble. Reportez-vous à la section *Réglage de la profondeur de pose de câble à la page 167*.
5. Attachez l'extrémité du câble à un piquet.

### Pour démarrer le produit

1. Inclinez le guidon sur le côté. Reportez-vous à la section *Inclinaison du guidon à la page 168*.
2. Ouvrez le couvercle de la batterie.
3. Placez une batterie chargée dans l'emplacement de batterie de batterie numéro 1, sous le couvercle de la batterie. Pour une durée de fonctionnement accrue, placez une deuxième batterie chargée dans l'emplacement de batterie numéro 2.
4. Déconnectez la clé de sécurité du support de clé de sécurité.
5. Poussez la clé de sécurité dans le verrou de sécurité. (Fig. 34)
6. Restez derrière le produit.
7. Appuyez sur le bouton de veille (A) situé sur le panneau de commande. Le témoin de veille (B) s'allume. (Fig. 35)
8. Appuyez sur le bouton marche/arrêt (C) jusqu'à ce qu'il reste enfoncé. Le moteur démarre.



**REMARQUE:** n'utilisez pas le produit si le témoin d'avertissement (D) clignote en rouge.

9. Poussez la manette d'opération de forage en direction du guidon pour actionner le foret. (Fig. 36)

### Pour appliquer l'entraînement aux roues

- Tirez la manette de contrôle de l'entraînement (A) en direction du guidon afin d'engager l'entraînement sur les roues. (Fig. 37)
- Relâchez la manette de contrôle de l'entraînement pour désengager l'entraînement sur les roues.

### Réglage de la profondeur de pose de câble

1. Desserrez la manette (A). (Fig. 38)
2. Réglez la roue de support (B) à la profondeur de pose de câble nécessaire et serrez le bouton.

**Remarque:** les chiffres (C) situés sur le côté du tube de la roue de support indiquent la profondeur de pose de câble en cm. La profondeur de pose de câble peut être réglée entre 1 et 6 cm.

### Pour régler la hauteur du guidon

La hauteur du guidon peut être réglée sur 5 positions.

1. Tournez la poignée (A) dans le sens contraire des aiguilles d'une montre pour la desserrer et retirez le bouton (B). (Fig. 39)
2. Réglez la hauteur du guidon et installez le bouton dans le trou de la position la plus proche.
3. Tournez la poignée dans le sens des aiguilles d'une montre pour la serrer.

## Inclinaison du guidon

Vous pouvez incliner le guidon pour éviter que des obstacles ne vous heurtent lorsque vous utilisez le produit. Le guidon peut être incliné dans 4 positions sur le côté droit et dans 4 positions sur le côté gauche.

1. Tirez complètement la manette d'inclinaison du guidon (A) en direction du guidon et maintenez-la. La manette d'inclinaison du guidon se trouve sur le côté inférieur gauche du guidon. (Fig. 40)
2. Inclinez le guidon selon l'une des 4 positions vers la gauche ou vers la droite et relâchez la manette d'inclinaison du guidon. Assurez-vous que la goupille qui bloque la position du guidon se trouve dans l'une des fentes. (Fig. 41)

## Verrouillage de la fonction de pivotement de l'ailette d'alimentation

Pour augmenter la précision de la direction lorsque vous posez le câble selon de longues sections droites, vous pouvez verrouiller la fonction de pivotement de l'ailette d'alimentation.

- Assurez-vous que l'ailette d'alimentation est dans la même direction que le produit et serrez la poignée (A). (Fig. 42)

## Réglage du guide-câble

Le produit est réglé pour des câbles de 4 mm. Si le diamètre du câble est supérieur, le guide-câble doit être réglé.

1. Desserrez les 2 vis. (Fig. 43)
2. Déplacez le guide-câble vers le haut de quelques millimètres.
3. Serrez les 2 vis.

## Réglage de la largeur de voie

La position des roues peut être réglée pour différentes largeurs de voie. Il y a 4 trous de réglage dans l'essieu côté gauche et 4 trous de réglage dans l'essieu côté droit. La largeur de voie peut être réglée à 250, 270, 290 ou 310 mm du centre du foret. (Fig. 44)

1. Retirez la goupille (A).
2. Réglez les roues à la largeur de voie nécessaire.
3. Placez la goupille dans l'un des 4 trous (B) de l'essieu.
4. Verrouillez le ressort de sécurité.

## Pour démarrer le travail

Une fois le câble et le foret installés, l'opérateur doit fixer le câble dans le sol.

1. Placez un piquet dans le sol.
2. Fixez la partie du câble qui sort de la partie inférieure du guide-câble au piquet.

## Utilisation du guide-câble double

Si le produit s'éloigne du périmètre extérieur de la zone de travail, il est nécessaire de placer deux câbles en même temps.

1. Enfoncez un câble tout le long du périmètre. Reportez-vous aux figures (A) et (B). (Fig. 45) (Fig. 46)
2. Lorsque vous êtes au point indiqué sur la figure (C), placez la roue de support dans la position la plus haute pour retirer l'ailette d'alimentation du sol. Fixez le câble à l'aide d'un piquet et continuez avec le câble au-dessus du sol jusqu'à ce que vous arriviez au point suivant. (Fig. 47)
3. Fixez le câble à l'aide d'un piquet au point indiqué sur la figure (D). (Fig. 48)
4. Placez l'ailette d'alimentation à la bonne profondeur de pose de câble et continuez à enfoncer le câble pour créer l'îlot. Reportez-vous à la figure (E). (Fig. 49)
5. Lorsque le point indiqué sur la figure (F) est atteint, retirez le piquet et nettoyez l'ailette d'alimentation. Reportez-vous à la section *Nettoyage de l'ailette d'alimentation à la page 169*. (Fig. 50)
6. Montez le câble au-dessus du sol dans le guide-câble. (Fig. 51)
7. Enfoncez les deux câbles en même temps jusqu'au point indiqué sur la figure (G). Attachez les deux câbles à un piquet et décrochez le second câble du guide-câble. (Fig. 52)
8. Continuez à enfoncer le câble périphérique jusqu'au point indiqué sur la figure (H). (Fig. 53)

## Arrêt du produit

Le produit s'arrête automatiquement s'il ne fonctionne pas pendant 3 minutes.

1. Relâchez la manette d'entraînement (A) pour désengager l'entraînement sur les roues. (Fig. 37)
2. Relâchez la manette d'opération de forage pour arrêter le foret. (Fig. 17)
3. Appuyez sur le bouton marche/arrêt situé sur le panneau de commande.
4. Appuyez sur le bouton de veille situé sur le panneau de commande.
5. Ouvrez le couvercle de la batterie.
6. Retirez la clé de sécurité du verrou de sécurité et placez-la dans le support de la clé de sécurité.



7. Utilisez le racleur pour nettoyer l'ailette d'alimentation. Reportez-vous à la section *Nettoyage de l'ailette d'alimentation* à la page 169.

8. Nettoyez et lubrifiez la tête de forage après chaque opération. Reportez-vous à la section *Nettoyage et lubrification de la tête de forage* à la page 170.

## Entretien

### Introduction



**AVERTISSEMENT:** Avant d'effectuer des travaux d'entretien, vous devez lire et comprendre le chapitre sur la sécurité.

Une formation spécifique est nécessaire pour effectuer tous les travaux d'entretien et de réparation du produit. Nous garantissons qu'il vous est possible d'obtenir des services de réparation et d'entretien effectués par des professionnels.

Pour des informations plus détaillées, reportez-vous à [www.husqvarna.com](http://www.husqvarna.com).

### Calendrier d'entretien

Les intervalles d'entretien sont calculés selon une utilisation quotidienne du produit. Les intervalles sont différents si le produit n'est pas utilisé tous les jours.

Pour l'entretien marqué d'un \*, reportez-vous à *Dispositifs de sécurité sur le produit* à la page 163.

	Toutes utilisations	Mensuel	À chaque saison
Faites une inspection générale.	X		
Assurez-vous que les dispositifs de sécurité sur le produit ne sont pas défectueux *.	X		
Examinez le foret et l'ailette d'alimentation.	X		
Vérifiez la manette d'opération de forage *.	X		
Assurez-vous que le bouton marche/arrêt fonctionne correctement et qu'il n'est pas défectueux.	X		
Examinez la batterie afin de détecter d'éventuels dommages.	X		
Contrôlez le niveau de charge de la batterie.	X		
Vérifiez que les cliquets de déverrouillage de la batterie fonctionnent correctement et fixent la batterie dans le produit.	X		
Nettoyez les prises d'air du moteur. Assurez-vous que les prises d'air ne contiennent pas d'herbe ou de saleté.	X		
Lubrifiez les pièces non peintes.	X		
Lubrifiez les pièces dont le revêtement en zinc est usé.	X		
Nettoyez et lubrifiez la tête de forage.	X		
Nettoyez l'ailette d'alimentation.	X		
Examinez le chargeur de batterie afin de détecter d'éventuels dommages et assurez-vous qu'il fonctionne correctement.		X	
Examinez les connexions entre la batterie et le produit. Examinez également la connexion entre la batterie et le chargeur de batterie.			X

### Nettoyage de l'ailette d'alimentation

- Utilisez le racleur pour retirer la terre et nettoyer l'ailette d'alimentation. (Fig. 54)

## Remplacement de l'ailette d'alimentation

1. Inclinez le produit vers l'avant et posez-le lentement sur le sol.
2. Retirez les 2 vis (A) et l'ailette d'alimentation (B). (Fig. 55)
3. Installez l'ailette d'alimentation neuve en procédant dans l'ordre inverse.

## Remplacement du foret

1. Retirez l'herbe et la saleté du produit.



**REMARQUE:** assurez-vous que la saleté ou d'autres matériaux indésirables ne pénètrent pas dans le foret pendant le processus d'installation.

**Remarque:** nettoyez et lubrifiez le boîtier du foret après chaque intervention.

2. Retirez la vis courte (A) de la tête de forage (B) de l'arbre (C). (Fig. 56)

**Remarque:** une clé à six pans de 6 mm est nécessaire pour remplacer le foret.

3. Retirez la vis longue (D) et le foret (E) de la tête de forage.
4. Placez un foret neuf dans la tête de forage et installez la vis longue.
5. Installez la tête de forage sur l'arbre.
6. Serrez les vis.

## Nettoyage et lubrification de la tête de forage

Nettoyez complètement la tête de forage après chaque opération.

1. Inclinez le produit vers l'avant et posez-le lentement sur le sol.

2. Retirez l'herbe, la saleté et les matériaux indésirables avec une brosse douce.
3. Retirez les petites particules d'herbe et de saleté avec de l'air comprimé.
4. Retirez les vis (A) de la tête de forage (B) et retirez le foret (C). (Fig. 56)
5. Desserrez les 2 vis (D) et retirez l'ailette d'alimentation (E). (Fig. 57)
6. Retirez la vis (F) et retirez la tête de forage (G) de l'arbre (H). (Fig. 58)
7. Nettoyez le produit avec de l'air comprimé. Assurez-vous que toute la saleté, l'herbe et tout autre matériau indésirable sont éliminés.
8. Si nécessaire, retirez la graisse sale à l'aide d'un solvant approprié.
9. Nettoyez tous les composants à l'aide d'un solvant approprié et lubrifiez-les.
10. Appliquez de la graisse hydrofuge sur l'arbre. (Fig. 59)

## Pour nettoyer la batterie et le chargeur de batterie



**AVERTISSEMENT:** Ne nettoyez pas la batterie ou le chargeur de batterie avec de l'eau.



**AVERTISSEMENT:** N'utilisez pas de substances chimiques pour nettoyer la batterie.

- Assurez-vous que la batterie et le chargeur de batterie sont propres et secs avant de placer la batterie dans le chargeur de batterie.
- Nettoyez les bornes de la batterie avec de l'air comprimé ou un chiffon sec et doux.
- Nettoyez les surfaces de la batterie et du chargeur de batterie avec un chiffon sec et doux.

## Dépannage

### Dépannage

Si vous ne trouvez pas de solution à un problème dans ce manuel, contactez votre atelier spécialisé Husqvarna.

Problème	Cause
Le moteur ne démarre pas.	La batterie n'est pas chargée.
	La batterie n'est pas installée correctement.
	La batterie est défectueuse.
	Le panneau de commande est défectueux.
Le foret ne tourne pas.	La courroie est usée.
	La courroie a glissé hors des poulies.
	Le levier n'exerce pas une tension suffisante sur la courroie.
Le foret continue à tourner lorsque la manette d'opération de forage est relâchée.	Le câble de la manette d'opération de forage est usé ou endommagé.
Le produit ne fonctionne pas correctement.	Le foret est usé ou endommagé.
	Le foret n'est pas installé correctement.
Le produit ne se déplace pas lorsque la manette d'entraînement est engagée.	Le câble de la manette d'entraînement est usé ou endommagé.
	Les courroies de transmission sont usées.
	La chaîne est cassée ou n'est pas suffisamment tendue.
	Les disques d'embrayage dans le boîtier de transmission sont usés.
La tête de forage ne peut pas être retirée.	Des matériaux indésirables sont présents dans l'unité.
	De l'oxyde est présent dans le système.
L'isolation du câble dans le sol est endommagée.	L'orifice de sortie du câble sur l'ailette d'alimentation est endommagé.
	Le tube qui contient le câble et qui fait partie de l'ailette d'alimentation est sale.

## Batterie

DEL sur la batterie	Cause	Solution
La DEL d'erreur clignote	La tension de la batterie est faible.	Rechargez la batterie. Reportez-vous à la section <i>Pour charger la batterie à la page 166.</i>

DEL sur la batterie	Cause	Solution
La LED d'erreur clignote.	La batterie est faible.	Rechargez la batterie. Reportez-vous à la section <i>Batterie à la page 171</i> .
	La température de l'environnement de travail est trop élevée ou trop basse.	Utilisez la batterie à une température comprise entre -10 °C et 40 °C.
	Surtension.	Assurez-vous que la tension secteur est identique à celle indiquée sur la plaque signalétique du produit. Dégagez la batterie du chargeur de batterie. Attendez 5 secondes et essayez à nouveau de charger la batterie. Si le problème persiste, contactez un atelier spécialisé agréé.
La DEL d'erreur est allumée	L'écart de tension entre les cellules est trop important (1 V).	Contactez un agent d'entretien agréé.

## Chargeur de batterie

DEL sur le chargeur de batterie	Cause	Solution
La LED d'erreur clignote.	La température de l'environnement de travail est trop élevée ou trop basse.	Utilisez le chargeur de batterie à une température comprise entre 5 °C et 40 °C.
La DEL d'erreur est allumée		Contactez un agent d'entretien agréé.

## Panneau de commande

Code d'erreur (nombre de clignotements)	Défaillances possibles	Procédure possible
5	La vitesse du moteur chute trop et le moteur s'arrête.	Nettoyez la tête de forage et réduisez la profondeur de pose de câble. Reportez-vous à <i>Nettoyage et lubrification de la tête de forage à la page 170</i> et <i>Réglage de la profondeur de pose de câble à la page 167</i> . Si l'erreur persiste, contactez un atelier spécialisé agréé.
8	La batterie est faible.	Rechargez la batterie. Reportez-vous à la section <i>Pour charger la batterie à la page 166</i> .
9	Erreur de batterie ou pas de signal de batterie.	Placez la batterie dans le produit correctement et examinez le connecteur de batterie. Si la LED d'erreur sur la batterie clignote, reportez-vous à <i>Batterie à la page 171</i> .
10	La commande du moteur est trop chaude.	Arrêtez le moteur et attendez qu'il refroidisse.
Autres erreurs	Si d'autres erreurs se produisent, retirez la clé et la batterie, et consultez un atelier spécialisé agréé.	

# Transport, entreposage et mise au rebut

## Introduction



**AVERTISSEMENT:** pour éviter tout démarrage accidentel pendant le transport, tirez la clé de sécurité vers le haut, retirez la batterie et attendez au moins 5 secondes.

## Transport

- La législation sur les marchandises dangereuses s'applique aux batteries au lithium-ion fournies.
- Les exigences spécifiques au transport commercial indiquées sur l'emballage et les étiquettes doivent être respectées.
- Assurez-vous de toujours respecter la législation sur les matières dangereuses lorsque vous préparez le produit pour le transport. Des réglementations locales peuvent s'appliquer.
- Retirez toujours la batterie lorsque vous déplacez le produit.
- Posez du ruban adhésif sur les connecteurs de batterie et assurez-vous que la batterie ne puisse pas bouger pendant le transport.
- Sécurisez le produit pendant le transport.

## Remisage

- Avant de remiser le produit, laissez-le refroidir.
- Retirez toujours la batterie lorsque vous entreposez le produit.
- Pour éviter tout accident, assurez-vous que la batterie n'est pas reliée au produit au moment du remisage.
- Conservez le chargeur de batterie dans un endroit sec et fermé.
- Conservez la batterie et le chargeur de batterie dans un endroit sec, à l'abri de l'humidité et du gel.
- Débranchez la batterie du chargeur lors du remisage.
- Ne conservez pas la batterie dans un endroit présentant un risque d'électricité statique. Ne conservez pas la batterie dans une boîte métallique.

- Conservez le produit à une température ambiante comprise entre -10 °C et 40 °C.
- Entreposez la batterie dans un endroit où la température ambiante est comprise entre 5 °C et 25 °C, à l'abri du soleil.
- Entreposez le chargeur de batterie dans un endroit où la température ambiante est comprise entre 5 °C et 45 °C, à l'abri du soleil.
- Assurez-vous que la batterie est chargée entre 30 % et 50 % avant de la remiser pendant de longues périodes.
- Conservez le produit, la batterie et le chargeur de batterie dans un endroit verrouillé, hors de portée des enfants et des personnes non autorisées.
- Nettoyez le produit.
- Effectuez les tâches d'entretien décrites dans le présent manuel d'utilisation. Reportez-vous à la section *Calendrier d'entretien à la page 169*.
- Effectuez un entretien complet avant de remiser le produit pendant de longues périodes.

## Mise au rebut

Les symboles figurant sur le produit ou l'emballage indiquent que ce produit ne peut pas être traité comme un déchet domestique ordinaire. Il doit être déposé dans un site de recyclage prévu pour la récupération d'équipements électriques et électroniques.

En prenant soin correctement de ce produit, vous contribuez à compenser l'éventuel effet négatif sur l'environnement et les personnes, qui autrement pourrait être engendré par la mauvaise gestion de la mise au rebut du produit. Pour obtenir de plus amples informations sur le recyclage de ce produit, contactez votre municipalité, votre service des ordures ménagères ou le magasin où vous avez acheté ce produit.

(Fig. 60)

## Caractéristiques techniques

Moteur de forage	
Type de moteur	BLDC (sans balais) 36 V
Vitesse du moteur - nominale, tr/min	3 000/min
Vitesse du moteur - charge élevée, tr/min	3 300/min
Sortie moteur - maximale, kW	1,8

Sortie moteur - nominale, kW	1,2
Transmission	Boîte de vitesses mécanique avec engrenages à bain d'huile
Embrayage	Type courroie, avec poulie
<b>Poids</b>	
Poids sans batterie, kg	39
Poids avec 2 batteries BLi300, kg	43
<b>Batterie</b>	
Type de batterie	Gamme de machines à batterie Husqvarna
<b>Durée de fonctionnement de la batterie</b>	
Durée de fonctionnement de la batterie, min <sup>37</sup>	38
<b>Émissions sonores <sup>38</sup></b>	
Niveau de puissance sonore, mesuré L <sub>WA</sub> dB (A)	84
Niveau de puissance acoustique garanti L <sub>WA</sub> , dB (A)	86
<b>Niveaux sonores <sup>39</sup></b>	
Niveau de pression sonore à l'oreille de l'utilisateur, dB(A)	66
<b>Niveaux de vibrations <sup>40</sup></b>	
Poignée m/s <sup>2</sup>	1,8
<b>Équipement de pose de câble</b>	
Profondeur de pose de câble, cm	1-6
Distance entre le foret et le bord de roue, mm	250, 270, 290, 310
Foret	597 04 84-01

Batteries homologuées	Marque	Type	Capacité de la batterie, Ah	Tension, V	Poids, lb/kg
BLi300	Husqvarna	Lithium-ion	9,4	36	4,1/1,9

<sup>37</sup> Fonctionnement libre, mesuré avec le mode standard activé et 1 batterie Husqvarna 9,4 Ah (BLi300).

<sup>38</sup> Émissions sonores dans l'environnement mesurées comme puissance acoustique (L<sub>WA</sub>) selon la directive européenne CE 2000/14/CE.

<sup>39</sup> Les données reportées pour le niveau de pression sonore montrent une dispersion statistique typique (dévi-  
ation standard) de 1,2 dB (A).

<sup>40</sup> Les données reportées pour le niveau de vibrations montrent une dispersion statistique typique (dévi-  
ation standard) de 0,2 m/s<sup>2</sup>. Norme sur les vibrations EN 1032+A1:2009.

<b>Chargeurs agréés pour les batteries spécifiées, BLi</b>	<b>Marque</b>	<b>Tension d'entrée, V</b>	<b>Fréquence, Hz</b>	<b>Puissance, W</b>
QC500	Husqvarna	100-240	50-60	500

# Déclaration de conformité

## Déclaration de conformité UE

Nous, **Husqvarna AB**, SE-561 82 Huskvarna, Suède,  
tél : +46-36-146500, déclarons sous notre entière  
responsabilité que le produit :

<b>Description</b>	Poseuse de câble
<b>Marque</b>	Husqvarna
<b>Type/Modèle</b>	CL400i
<b>Identification</b>	Les numéros de série à partir de 2022 et ultérieurs

est entièrement conforme à la réglementation et aux  
directives de l'UE suivantes :

Réglementation	Description
2006/42/EC	« relative aux machines »
2014/30/UE	« relative à la compatibilité électromagnétique »
2011/65/UE	« relative à la limitation de l'utilisation de certaines substances dangereuses au sein d'équipements électriques et électroniques »

et que les normes et/ou les spécifications techniques  
suivantes sont appliquées : EN ISO 12100:2010,  
EN ISO 14119:2013, EN ISO 14120:2015, EN ISO  
13857:2019, EN 62841-1:2015+AC:2015, EN ISO  
11202:2010, EN 1032:2009, EN 55014-1:2017, EN  
55014-2:2015, EN 63000:2018.

Pour toute information relative aux émissions sonores,  
voir *Caractéristiques techniques à la page 173*.

Huskvarna, 2022-03-21



Claes Losdal, Directeur du développement/Articles de  
jardinage, Husqvarna AB

Responsable de la documentation technique





---

## Sadržaj

---

Uvod.....	177	Rješavanje problema.....	187
Sigurnost.....	178	Prijevoz, spremanje i zbrinjavanje.....	189
Sastavljanje.....	182	Tehnički podaci.....	190
Rad.....	183	Izjava o sukladnosti.....	192
Održavanje.....	186		

---

## Uvod

---

### Opis proizvoda

Ovaj proizvod je pješice upravljani polagač kabela.

### Pregled proizvoda

(Sl. 1)

1. Pogonska poluga bušilice
2. Poluga za nagib upravljača
3. Poluga pogona
4. Brojač
5. Namotavač kabela
6. Dopremno krilce
7. Svrdlo
8. Upravljačka ploča
9. Sigurnosni ključ
10. Baterija (dodatna oprema)
11. Punjač baterije (dodatna oprema)
12. Korisnički priručnik

### Simboli na proizvodu

- (Sl. 2) UPOZORENJE
- (Sl. 3) Upozorenje: Okretni dijelovi. Ruke i stopala držite podalje.
- (Sl. 4) Pazite na izbačene predmete i odbijanja.
- (Sl. 5) Pročitajte upute.
- (Sl. 6) Osobe i životinje držite na sigurnoj udaljenosti od radnog područja.
- (Sl. 7) Opasnost od ozljede očiju promatrača.
- (Sl. 8) Nemojte izlagati kiši.
- (Sl. 9) Upotrebljavajte zaštitni vizir.
- (Sl. 10) Stanje pripravnosti (crni gumb).

### Namjena

Proizvod služi za polaganje granične žice i žice za navođenje za robotske kosilice u tlo. Proizvod nemojte upotrebljavati za druge zadatke.

(Sl. 10) Pokretanje i zaustavljanje motora (crveni gumb).

(Sl. 11) Ni proizvod ni njegova ambalaža ne spadaju u kućanski otpad. Reciklirajte ga u reciklažnoj stanici za električnu i elektroničku opremu.

(Sl. 12) Proizvod ispunjava mjerodavne direktive EZ.

(Sl. 13) Ovaj je proizvod u skladu s važećim direktivama UK-a.

(Sl. 14) Naljepnica emisije buke u okoliš u skladu s direktivama i propisima EU i UK te propisom Novog Južnog Walesa „Zaštita od radova u okolišu (kontrola buke) iz 2017“. Zajamčena razina jačine zvuka proizvoda naznačena je u *Tehnički podaci na stranici 190* i na naljepnici.

(Sl. 15) Ovaj je proizvod zaštićen od curenja.

---

**Napomena:** Drugi simboli/naljepnice na proizvodu odnose se na zahtjeve za certifikaciju na pojedinim tržištima.

---

### Oštećenje proizvoda

U sljedećim okolnostima nećemo biti odgovorni za oštećenja proizvoda:

- proizvod nepravilno popravljen
- proizvod popravljen dijelovima koje nije proizveo proizvođač ili nemaju odobrenje proizvođača
- proizvod ima dodatnu opremu koje nije proizveo proizvođač ili nemaju odobrenje proizvođača

- proizvod nije popravljen u odobrenom servisnom centru ili kod ovlaštene osobe.

## Sigurnost

### Sigurnosne definicije

Upozorenjima, oprezima i napomenama naglašavaju se posebno važni dijelovi priručnika.



**UPOZORENJE:** Koristi se kada nepoštivanje uputa iz priručnika može uzrokovati smrt ili ozljede rukovatelja ili promatrača.



**OPREZ:** Koristi se kada nepoštivanje uputa iz priručnika može uzrokovati oštećenje proizvoda ili drugih materijala u neposrednoj blizini.

**Napomena:** Koristi se prikaz neophodnih dodatnih informacija za zadanu situaciju.

### Opća sigurnosna upozorenja za proizvod



**UPOZORENJE:** Pročitajte sva sigurnosna upozorenja, upute, ilustracije i specifikacije isporučene s ovim proizvodom. Nepoštivanje svih uputa u nastavku može uzrokovati električni udar, požar i/ili ozbiljne ozljede.

#### Spremite sva upozorenja i upute za buduće potrebe.

Pojam „proizvod“ u upozorenjima odnosi se na proizvod napajana iz mreže (žični) ili baterijski proizvod (bežični).

### Sigurnost na radnom mjestu

- **Radno mjesto mora biti čisto i dobro osvijetljeno.** Zakrčeni i tamni prostori čest su uzrok nesreća.
- **Proizvod nemojte koristiti u eksplozivnim okruženjima, primjerice u prisutnosti zapaljivih tekućina, plinova ili prašine.** Proizvod proizvodi iskre koje mogu zapaliti prašinu ili isparavanja.
- **Tijekom rada s proizvodom u blizini se ne smiju zadržavati djeca ni promatrači.** Svako ometanje može uzrokovati gubitak nadzora nad strojem.

### Električna sigurnost

- **Utikači proizvodi moraju odgovarati utičnicama.** Nemojte ni na koji način mijenjati utikač. Proizvode sa uzemljenjem nemojte upotrebljavati s utikačima za prilagodbu. Neizmijenjeni utikači i odgovarajuće utičnice smanjuju opasnost od strujnog udara.
- **Izbjegavajte tjelesni kontakt s uzemljenim površinama kao što su cijevi, radijatori, štednjaci i**

**hladnjaci.** Ako vam je tijelo uzemljeno, povećava se opasnost od strujnog udara.

- **Proizvode nemojte izlagati kiši ili mokrim uvjetima.** Voda koja prodire u proizvod povećava opasnost od strujnog udara.
- **Pazite na kabel. Kabel nemojte upotrebljavati za prenošenje, povlačenje ili isključivanje proizvoda. Držite ga podalje od vrućine, ulja, oštrih rubova ili pokretnih dijelova.** Oštećeni ili isprepleteni kabeli povećavaju opasnost od strujnog udara.
- **Kada proizvod upotrebljavate na otvorenom, morate upotrebljavati odgovarajući produžni kabel.** Kabel predviđen za upotrebu na otvorenom smanjuje opasnost od strujnog udara.
- **Ako proizvod morate upotrebljavati na vlažnom mjestu, upotrijebite uređaj zaštićen zaštitnim uređajem diferencijalne struje (RCD).** Korištenje RCD uređaja smanjuje rizik od strujnog udara.

### Osobna sigurnost

- **Budite usredotočeni, pazite što radite i razumno upotrebljavajte proizvod.** Proizvod nemojte upotrebljavati umorni ili pod djelovanjem droga, alkohola ili lijekova. Trenutak nepažnje pri upotrebi proizvoda može uzrokovati ozbiljne tjelesne ozljede.
- **Upotrebljavajte opremu za osobnu zaštitu. Uvijek nosite zaštitu za oči.** Upotreba zaštitne opreme poput maske za prašinu, protukliznih zaštitnih cipela, kacige i štitnika za uši u odgovarajućim uvjetima smanjuje opasnost od tjelesnih ozljeda.
- **Spriječite nehotično pokretanje stroja. Prije priključivanja proizvoda na napajanje i/ili baterijski komplet te podizanja ili prenošenja sklopka mora biti u isključenom položaju.** Držanje prsta na sklopki prilikom prenošenja proizvoda ili priključivanje napajanja proizvoda na kojima je sklopka uključena povećava opasnost od nezgode.
- **Prije uključivanja proizvoda izvadite klin za prilagođavanje ili uklonite ključ.** Ako ključ ili klin ostanu na pokretnom dijelu proizvoda, može doći do ozljeda.
- **Ne posežite predaleko. Uvijek imajte dobar oslonac i održavajte ravnotežu.** To omogućuje bolju kontrolu proizvoda u neočekivanim situacijama.
- **Nosite prikladnu odjeću. Nemojte nositi široku odjeću ni nakit. Kosu i odjeću držite podalje od pomičnih dijelova.** Široka odjeća, nakit ili duga kosa mogu zapeti u pokretnim dijelovima stroja.
- **Ako su priloženi uređaji za povezivanje mehanizama za izdvajanje i prikupljanje prašine, pripazite na njihovo pravilno priključivanje i upotrebu.** Upotreba mehanizma za prikupljanje prašine može smanjiti opasnosti uzrokovane prašinom.

- Zbog rutine nastale čestom primjenom proizvoda nemojte postati samodopadni te zanemarivati sigurnosna pravila. Neoprezan rad u djeliću sekunde može uzrokovati ozbiljnu ozljedu.
- Proizvode upotrebljavajte samo uz posebno namijenjene baterijske komplete. Upotreba bilo koje druge baterije može izazvati rizik od ozljede ili požara.

## Korištenje i održavanje

- Nemojte preopterećivati proizvod. Upotrebljavajte proizvod koja odgovara namjeni. Odgovarajućim proizvodom posao ćete obaviti bolje i sigurnije, brzinom za koju je dizajniran.
- Nemojte upotrebljavati proizvod ako sklopka nije moguće uključiti i isključiti. Proizvod kojim ne možete upravljati sa sklopkom opasan je i mora se popraviti.
- Prije bilo kakvih izmjena, zamjene dodatne opreme ili spremanja proizvoda odspojite utikač od izvora napajanja i/ili izvadite baterijski paket iz proizvoda, ako je to moguće. Te preventivne sigurnosne mjere smanjuju opasnost od nehotičnog pokretanja proizvoda.
- Proizvode koji nisu u uporabi uskladištite izvan dohvata djece, a osobama koje nisu upoznate s proizvodom i nisu pročitale ove upute nemojte dopustiti upotrebu proizvoda. Proizvodi mogu biti opasni kada njima rukuju neiskusni korisnici.
- Održavajte proizvode i dodatnu opremu. Provjerite usklađenost pokretnih dijelova, povezanost pokretnih dijelova, cjelovitost dijelova te sva druga stanja koja mogu utjecati na rad proizvoda. Ako postoje oštećenja, prije upotrebe popravite proizvod. Brojne nezgode uzrokovane su lošim održavanjem proizvoda.
- Alati za rezanje moraju biti oštri i čisti. Ispravno održavani alati za rezanje s oštrim reznim oštricama neće se zablokirati te ih je lakše kontrolirati.
- Proizvod, dodatnu opremu, svrdla itd. upotrebljavajte u skladu s ovim uputama, uzimajući u obzir uvjete rada i posao koji je potrebno obaviti. Upotreba proizvoda za radove za koje nije namijenjen može uzrokovati opasne situacije.
- Ručke i prihvatne površine moraju biti suhe, čiste i bez tragova ulja i masti. Klizave ručke i prihvatne površine u neočekivanim situacijama onemogućuju sigurno rukovanje i kontrolu nad proizvodom.

## Usluga

- Proizvod mora servisirati obučeni serviser isključivo s jednakim zamjenskim dijelovima. Time se osigurava zadržavanje sigurnosti proizvoda.
- Oštećene baterijske pakete nikada nemojte servisirati. Servisiranje baterijskih paketa dopušteno je samo proizvođaču ili ovlaštenim servisnim distributerima.

## Upotreba i čišćenje alata za bateriju

- Bateriju punite samo punjačem koji je odredio proizvođač. Punjač prikladan za jedan tip baterije može izazvati rizik od požara ako se koristi s drugom baterijom.

- Kad bateriju ne koristite, držite je daleko od ostalih metalnih predmeta kao što su spojnice za papir, novčići, ključevi, čavli, vijci ili drugi mali metalni predmeti koji bi mogli dovesti do spoja između priključaka. Kratki spoj između priključaka baterije može prouzročiti opekline ili požar.
- U uvjetima lošeg postupanja, iz baterije može štrcnuti tekućina, izbjegavajte dodir s njom. Ako slučajno dođe do dodira, isperite vodom. Ako tekućina dođe u dodir s očima, potražite i liječničku pomoć. Tekućina koja štrcne iz baterije može izazvati iritacije ili opekline.
- Nemojte upotrebljavati baterijski komplet ili alat koji je oštećen ili modificiran. Oštećene ili modificirane baterije mogu se nepredvidivo ponašati i time dovesti do požara, eksplozije ili opasnosti od ozljede.
- Baterijski komplet ni alat nemojte izlagati vatri ni ekstremnim temperaturama. Izlaganje vatri ili temperaturama većima od 130 °C / 265 °F može dovesti do eksplozija.
- Pridržavajte se svih uputa za punjenje i baterijski komplet ni alat nemojte puniti izvan temperaturnog raspona navedenog u uputama. Neispravno punjenje ili držanje na temperaturama izvan navedenog raspona može oštetiti bateriju i povećati mogućnost požara.

## Opće sigurnosne upute



**UPOZORENJE:** Prije upotrebe proizvoda pročitajte upute upozorenja u nastavku.

- Proizvod je opasan ako ga koristite nepravilno ili ako niste oprezni. Nepoštivanje sigurnosnih uputa može uzrokovati ozljede ili smrt.
- Proizvod tijekom rada proizvodi elektromagnetsko polje. To polje u određenim okolnostima može ometati aktivne ili pasivne medicinske implantate. Za smanjenje opasnosti od smrtonosne ozljede osobama s medicinskim implantatima prije korištenja uređaja preporučujemo obraćanje liječniku i proizvođaču medicinskog implantata.
- Uvijek budite pažljivi i razumni. Ako u posebnim situacijama niste sigurni u način upotrebe stroja, prije nastavka stanite i obratite se svom distributeru tvrtke Husqvarna.
- Imajte na umu kako se rukovatelj smatra odgovornim za nezgode koje uključuju druge osobe ili njihovo vlasništvo.
- Proizvod održavajte čistim. Znakovi i naljepnice moraju biti jasno čitljivi.
- Djeci ili osobama koje nisu upoznate s ovim uputama ne dopuštajte da upotrebljavaju uređaj. Dob korisnika može biti ograničena lokalnim propisima.

- Osobu smanjenih fizičkih ili mentalnih sposobnosti obavezno nadzirite tijekom uporabe proizvoda. Cijelo vrijeme mora biti prisutna odgovorna odrasla osoba.
- Proizvod nemojte upotrebljavati kada ste umorni, bolesni ili pod utjecajem alkohola, droge ili lijekova. To negativno utječe na vaš vid, pažnju, koordinaciju i prosudbu.
- Nemojte upotrebljavati proizvod ako je oštećen ili neispravan.
- Nemojte izmjenjivati proizvod ili ga upotrebljavati ako postoji mogućnost da je izmijenjen.
- Svrdom nemojte udarati u predmete poput kamenja ili korijenja. Time možete oštetiti svrdlo i saviti vratilo motora. Savijeno vratilo motora uzrokuje snažne vibracije i opasnost od otpuštanja svrdla vrlo je visoka.
- Ako svrdlom udarite u predmet ili osjetite vibracije, odmah zaustavite proizvod. Zaustavite motor, povucite sigurnosni ključ prema gore pa izvadite bateriju. Pričekajte na zaustavljanje pokretnih dijelova. Pregledajte je li proizvod oštećen. Zategnite nepričvršćene dijelove. Popravite oštećenja i zamijenite oštećene dijelove. Popravke prepustite odobrenom servisnom agentu.

## Sigurnost pri radu



**UPOZORENJE:** Prije upotrebe proizvoda pročitajte upozoravajuće upute u nastavku.

- Proizvod služi za polaganje granične žice i žice za navođenje za robotske kosilice u tlo. Proizvod nemojte upotrebljavati za druge zadatke.
- Upotrebljavajte opremu za osobnu zaštitu. Pogledajte *Oprema za osobnu zaštitu na stranici 181*.
- Provjerite znate li brzo zaustaviti motor u slučaju nužde.
- Proizvod nemojte pogoniti na kiši ni u mokrim uvjetima. Ako voda prodre u proizvod, povećava se opasnost od električnog udara.
- Proizvod upotrebljavajte samo ako su svrdlo i svi štitnici pravilno postavljeni. Nepravilno postavljeno svrdlo može se otpustiti i uzrokovati ozljede.
- Prije korištenja proizvoda iz radnog područja uklonite sve predmete poput grana, prutova i kamenja.
- Predmeti koje udarite s opremom za polaganje kabela mogu biti odbačeni te uzrokovati ozljede ili oštećenja. Promatrače i životinje držite na sigurnoj udaljenosti od proizvoda.
- Proizvod nikada nemojte upotrebljavati u lošim vremenskim uvjetima kao što su magla, kiša, jak vjetar, intenzivna hladnoća i pri opasnosti od grmljavinskog nevremena. Upotreba proizvoda po lošem vremenu ili na vlažnim odnosno mokrim lokacijama zamorna je. Pri lošem vremenu mogu nastati opasni uvjeti, primjerice skliske površine.
- Pazite na osobe, predmete i situacije koje mogu onemogućiti siguran rad proizvoda.
- Pazite na prepreke kao što su korijenje, kamenje, prutovi, jame i jarci. Visoka trava može sakrivati prepreke.
- Proizvod nemojte upotrebljavati na tlu s nagibom većim od 15°.
- Prilikom promjene smjera kretanja na padinama budite izuzetno oprezni. Proizvod upotrebljavajte poprečno preko nagiba. Nemojte se kretati prema gore i dolje.
- Oprezno prilazite skrivenim kutovima i predmetima koji onemogućavaju jasan pregled.
- Tijekom rukovanja proizvodom obavezno budite iza njega.
- Tijekom rukovanja proizvodom svi kotači trebaju biti na tlu, a obje ruke na ručki.
- Šake i stopala držite podalje od rotirajućeg svrdla.
- Nemojte naginjati proizvod tijekom pokretanja motora ili njegovog pogona.
- Budite pažljivi pri povlačenju proizvoda unatrag.
- Proizvod nikada nemojte podizati dok je motor u pogonu. Ako morate podići proizvod, prvo zaustavite motor, povucite sigurnosni ključ prema gore i izvadite bateriju.
- Tijekom rada s proizvodom nemojte hodati unatrag.
- Kada je proizvod nužno nagnuti zbog prijenosa, otpustite pogonsku polugu bušilice kako biste zaustavili svrdlo.
- Nemojte trčati s proizvodom kada je motor pokrenut. Obavezno hodajte tijekom rada s proizvodom.
- Prije promjene dubine polaganja kabela zaustavite motor. Nemojte provoditi prilagodbe dok je motor u pogonu.
- Proizvod s motorom u pogonu nemojte ostavljati bez nadzora. Zaustavite motor i provjerite je li se svrdlo zaustavilo.
- Vibracije na proizvodu u pogonu mogu se razlikovati od vrijednosti vibracija navedenih pod *Tehnički podaci na stranici 190*. Razlikuju uzrokuju varijacije u načinu upotrebe proizvoda. Ako proizvod često pogonite dugo, redovito odmarajte kako biste spriječili ozljede uzrokovane vibriranjem.

## Sigurnosne upute za rad

Prije uporabe proizvoda pročitajte upute u nastavku.

- Provjerite je li kabel na vodilici kabela neoštećen.
- Provjerite cijev na dopremnom krilcu. Ako je cijev istrošena ili oštećena, zamijenite je.

(Sl. 16)

- Rub oko otvora ne smije biti oštar ili oštećen. Ako je vodilica kabela oštećena, zamijenite je.
- Pobrnite se za to da svi vijci budu pritegnuti.

- Provjerite jesu li sve ručice u neutralnom položaju.

## Oprema za osobnu zaštitu



**UPOZORENJE:** Prije upotrebe proizvoda pročitajte upozoravajuće upute u nastavku.

- Oprema za osobnu zaštitu ne može u potpunosti spriječiti ozljede, no smanjuje stupanj ozljede u slučaju nezgode. Pri odabiru odgovarajuće opreme zatražite pomoć ovlaštenog trgovca.
- Nosite čizme otporne na klizanje ili cipele za teške uvjete rada. Nemojte nositi otvorene cipele ili biti bos.
- Nosite teške, duge hlače.
- Prema potrebi nosite zaštitne rukavice, primjerice prilikom pričvršćivanja, pregleda ili čišćenja opreme za polaganje kabela.
- Preporučujemo upotrebu zaštite sluha.

## Sigurnosni uređaji na proizvodu



**UPOZORENJE:** Prije upotrebe proizvoda pročitajte upute upozorenja u nastavku.

- Proizvod nemojte upotrebljavati sa sigurnosnim uređajima koji su oštećeni ili nisu ispravni.
- Sigurnosne uređaje nije dopušteno uklanjati ili izmjenjivati.
- Redovito pregledavajte sigurnosne uređaje. Ako su sigurnosni uređaji oštećeni ili nisu ispravni, obratite se ovlaštenom serviseru tvrtke Husqvarna.

## Sigurnosni ključ

Sigurnosni ključ nalazi se ispod poklopca baterije. Sigurnosni ključ priključuje bateriju koja napaja motor.

## Provjera sigurnosnog ključa

Sigurnosni ključ priključuje bateriju koja napaja motor.

- Pokrenite pa zaustavite motor. Ako sigurnosni ključ ispravno funkcionira, motor se može pokrenuti samo kada je ključ u sigurnosnoj bravi.

## Pogonska poluga bušilice

Svrdo se zaustavlja pogonskom polugom bušilice. Kada otpustite pogonsku polugu bušilice, svrdlo se zaustavlja.

Za provjeru pogonske poluge bušilice pokrenite motor, a potom je otpustite. Ako se svrdlo ne zaustavi za tri sekunde, obratite se ovlaštenom servisnom agentu tvrtke Husqvarna.

(Sl. 17)

## Sigurnost baterije



**UPOZORENJE:** Prije upotrebe proizvoda pročitajte upute upozorenja u nastavku.

- Upotrebljavajte punjive baterije tvrtke Husqvarna samo za napajanje odgovarajućih proizvoda tvrtke Husqvarna. Bateriju nemojte upotrebljavati za napajanje drugih proizvoda jer postoji opasnost od ozljeda.
- Nemojte upotrebljavati baterije koje nisu punjive.
- Opasnost od strujnog udara. Polove baterije nemojte spajati s ključevima, kovanicama, vijcima ili drugim metalom. Tako može doći do kratkog spoja baterije.
- Nemojte umetati predmete u zračne utore baterije.
- Bateriju zaštitite od sunčeve svjetlosti, vrućine i otvorenog plamena. Baterija može eksplodirati i uzrokovati opekline i/ili kemijske opekline.
- Zaštitite bateriju od kiše i mokrih uvjeta.
- Zaštitite bateriju od mikrovalova i visokog tlaka.
- Bateriju nemojte rastavljati ili razbijati.
- Ako baterija počne propuštati, nemojte dopustiti da vam tekućina dospije na kožu ili u oči. Ako ste dodirnuli tekućinu, isperite površinu velikom količinom vode i zatražite medicinsku pomoć.
- Bateriju u proizvodu primjenjujte samo pri temperaturama okoline između 5 °C – 40 °C.
- Punjač baterije upotrebljavajte samo pri temperaturama okoline između 5 °C – 40 °C.
- Baterija se neće puniti ako je njezina temperatura viša od 50 °C.
- Bateriju ili punjač baterije nikada nemojte čistiti vodom. Pogledajte *Čišćenje baterije i punjača baterije na stranici 187*.
- Nemojte upotrebljavati oštećenu bateriju.
- Baterije skladištite dalje od metalnih predmeta poput čavala, kovanica i nakita.

## Sigurnost punjača baterije



**UPOZORENJE:** Prije upotrebe proizvoda pročitajte upute upozorenja u nastavku.

- Punjač baterija QC upotrebljavajte samo za punjenje zamjenskih baterija tvrtke Husqvarna.
- Opasnost od strujnog udara ili kratkog spoja. Nemojte umetati predmete u zračne utore punjača. Nemojte rastavljati punjač baterije. Priključke baterije nemojte spajati metalnim predmetima. Upotrebljavajte odobrenu mrežnu utičnicu.
- Proizvod tijekom rada proizvodi elektromagnetsko polje. To polje u određenim okolnostima može ometati aktivne ili pasivne medicinske implantate. Za smanjenje opasnosti od uvjeta koji mogu uzrokovati ozljede ili smrt, osobama s medicinskim implantatima prije korištenja ovog uređaja

preporučujemo obraćanje liječniku i proizvođaču medicinskog implantata.

- Redovno provjeravajte je li kabel za napajanje punjača baterije neoštećen te je li ispucao.
- Punjač baterije nemojte podizati za električni kabel. Za odspajanje punjača baterije od zidne utičnice izvucite utikač. Nemojte povlačiti kabel za napajanje.
- Kabel za napajanje i produžne kabele držite podalje od vode, ulja i oštih rubova. Kabel nemojte prignječiti vratima, ogradama i sl. To može nariniti napon na punjač.
- Punjač baterije nemojte prati vodom.
- Ovaj punjač baterije mogu koristiti djeca od 8 godina i starija te osobe s umanjnim fizičkim, osjetilnim ili mentalnim sposobnostima ili nedostatkom iskustva i znanja ako je osiguran njihov nadzor ili ako su upućeni u sigurno korištenje uređaja te razumiju obuhvaćene opasnosti. Djeca se ne smiju igrati punjačem baterije. Čišćenje i održavanje ne smiju provoditi djeca bez nadzora.
- Punjačima baterije nije dopušteno puniti baterije koje se ne mogu puniti.
- Punjač baterije nemojte upotrebljavati u blizini zapaljivih materijala ili materijala koji mogu uzrokovati koroziju. Nemojte pokrivati punjač baterije. Ako dođe do razvoja dima ili požara, odspojite utikač punjača baterije.
- Nemojte upotrebljavati oštećen punjač baterije.
- Bateriju puniti isključivo u zatvorenom, dobro prozračenom zatvorenom prostoru bez izravne sunčeve svjetlosti. Bateriju nije dopušteno puniti u vlažnim uvjetima.

## Sigurnosne upute za održavanje



**UPOZORENJE:** Prije upotrebe proizvoda pročitajte upozoravajuće upute u nastavku.

- Prije održavanja proizvoda izvadite sigurnosni ključ.
- Pravilno provedite radove održavanja kako biste produljili vijek trajanja proizvoda i smanjili opasnost od nezgoda. Profesionalna održavanja prepustite odobrenom serviseru. Za više informacija obratite se najbližem serviseru.
- Provodite samo održavanje opisano u ovom korisničkom priručniku.
- Opremu za polaganje kabela dodirujte noseći rukavice za teške uvjete rada.
- Za najsigurnije performanse proizvod održavajte čistim.
- Redovno pregledavajte proizvod i provodite potrebne prilagodbe i popravke kod servisera.
- Zamijenite oštećene, istrošene ili polomljene dijelove.
- Pridržavajte se uputa za zamjenu dodatne opreme. Upotrebljavajte isključivo dodatnu opremu proizvođača.
- Kada ih ne upotrebljavate, proizvod, bateriju i punjač baterije skladištite odvojeno u zatvorenom, suhom i zaključanom prostoru. Djeci i neovlaštenim osobama onemogućite pristup proizvodu, bateriji i punjaču.

## Sastavljanje

### Uvod



**UPOZORENJE:** Prije sklapanja proizvoda s razumijevanjem pročitajte poglavlje o sigurnosti.

### Ugradnja svrdla

1. Umetnite svrdlo (A) u glavu bušilice (B) i postavite dugi vijak (C). (Sl. 18)

**Napomena:** Za postavljanje svrdla potreban je šesterokutni ključ od 6 mm.

2. Postavite glavu bušilice na osovinu (D) s kratkim vijkom (E).
3. Zategnite vijke.

### Umetanje kabela

Proizvod je opremljen odvojitim navijačem kabela sa spojkom.

1. Postavite kabel na navijač kabela. Kotačićem navijač kabela okrećite u smjeru kazaljke na satu.

**Napomena:** Kako bi se tijekom rada glatko odmatao, kabel na navijač kabela treba postaviti u smjeru kazaljke na satu. (Sl. 19)

2. Umećite kabel u dopremno krilice (A) dok na dnu (B) ne izađe približno 5 cm kabela. (Sl. 20)

### Ugradnja i uklanjanje navijača kabela

1. Otpustite kotačić (A). (Sl. 21)
2. Uklonite držač (B).
3. Uklonite navijač kabela (C).
4. Ugradite navijač kabela (D). Ako je potrebno, primijenite adapter. (Sl. 22)
5. Ugradite držač (E) i zategnite kotačić (F).

## Uvod



**UPOZORENJE:** Prije rada s proizvodom morate pročitati i usvojiti poglavlje o sigurnosti.

## Husqvarna Fleet Services™

Husqvarna Fleet Services™ rješenje je utemeljeno na oblaku koje rukovatelju daje pregled svih povezanih proizvoda. Senzor Husqvarna Fleet Services™ može se instalirati na ovaj proizvod. Senzor Husqvarna Fleet Services™ prikuplja podatke o proizvodu i omogućava povezivanje na sustav Husqvarna Fleet Services™. Sustav Husqvarna Fleet Services™ izvještava o podacima kao što su vrijeme rada, intervali servisiranja i lokacija proizvoda.

Za detaljnije informacije o Husqvarna Fleet Services™ preuzmite aplikaciju Husqvarna Fleet Services™ ili se obratite zastupniku tvrtke Husqvarna.

### Priprema senzora (dodatna oprema)

1. Uz pomoć ključa za senzore otvorite poklopac senzora. (Sl. 23)
2. Izvadite senzor.
3. Bateriju spojite na senzor. Uključit će se LED svjetlo senzora. (Sl. 24)
4. Preuzmite aplikaciju Husqvarna Fleet Services™.
5. Prijavite se u aplikaciju Husqvarna Fleet Services™.
6. Provedite uparivanje. Pročitajte odjeljak *Radnja uparivanja aplikacije s proizvodom na stranici 183*

### Radnja uparivanja aplikacije s proizvodom

1. Prijavite se u aplikaciju Husqvarna Fleet Services™.
2. Odaberite svoj proizvod u aplikaciji.
3. Skenirajte šifru iza senzora svojim mobilnim uređajem da biste instalirali senzor u aplikaciju.

**Napomena:** Radnju uparivanja aplikacije s proizvodom potrebno je izvesti samo jedanput.

### Instalacija senzora

1. Provjerite je li senzor spojen s aplikacijom Husqvarna Fleet Services™. Pogledajte *Radnja uparivanja aplikacije s proizvodom na stranici 183*.
2. Probušite 2 provrta na oznakama na utoru kućišta. (Sl. 25)

**Napomena:** Pobrinite se za to da ta dva provrta budu istih dimenzija kao i zakovice isporučene sa senzorom.

3. Klijestima klonite vanjske provrte na utoru senzora. (Sl. 26)
4. Probušite 2 provrta na oznakama na utoru senzora. (Sl. 27)
5. Poravnajte utor na senzoru s utorom na kućištu. (Sl. 28)
6. Zakovicama pričvrstite utor senzora.
7. Ugradite senzor u utor senzora. Poravnajte bijelu oznaku na senzoru s oznakom na utoru na senzoru. (Sl. 29)
8. Zatvorite poklopac senzora i zaključajte ga ključem za senzore. Pobrinite se za to da vrh Husqvarna „H“ bude usmjeren dalje od sigurnosnog ključa. (Sl. 30)

## Baterija



**UPOZORENJE:** Prije upotrebe baterije morate pročitati i usvojiti poglavlje o sigurnosti. Također morate pročitati i usvojiti korisnički priručnik za bateriju i punjač baterije.

Bateriju i punjač čuvajte na ispravnoj temperaturi okoline.

	Temperatura okoline
Rad baterije	5 °C – 40 °C
Punjenje baterije	5 °C – 40 °C

### Status baterije

Na zaslonu se prikazuje preostali kapacitet baterije te postoje li problemi s baterijom. Kapacitet baterije prikazuje se na 5 sekundi nakon isključenja proizvoda ili pritiskanja gumba indikatora baterije. Kada dođe do pogreške uključuje se simbol upozorenja na bateriji. Pogledajte *Baterija na stranici 188*.

(Sl. 31)

LED indikatori	Status baterije
Svi LED indikatori svijetle	Potpuno napunjena (75 – 100%)
Svijetle indikatori LED 1, LED 2 i LED 3	Baterija je napunjena 50% – 75%
Svijetle indikatori LED 1 i LED 2	Baterija je napunjena 25% – 50%
Svijetli indikator LED 1	Baterija je napunjena 0% – 25%.

LED indikatori	Status baterije
Indikator LED 1 treperi	Baterija je prazna. Napunite bateriju.

## Zamjena baterije

Prije prve upotrebe napunite bateriju. Baterija je pri isporuci kupcu napunjena samo 30%.

**Napomena:** Punjač baterije morate spojiti na napon i frekvenciju koji su navedeni na natpisnoj pločici.

Baterija se ne puni ako je temperatura baterije viša od 50 °C. Punjač baterije smanjuje temperaturu baterije prije početka punjenja.

1. Jedan kraj kabela za napajanje punjača baterije priključite na utičnicu na punjaču baterije.
2. Drugi kraj kabela za napajanje punjača baterije priključite na uzemljenu mrežnu utičnicu. LED indikator na punjaču baterije zatrepri jednom zelenom bojom. (Sl. 32)
3. Postavite bateriju u punjač baterije. Ako je baterija pravilno priključena na punjač baterije, na punjaču se uključuje zeleni indikator. (Sl. 33)
4. Kada na bateriji svijetle svi LED indikatori, baterija je potpuno napunjena. Bateriju puniti najdulje 24 sata.
5. Za odspajanje punjača baterije od mrežne utičnice povucite priključak, ne kabel.
6. Izvadite bateriju iz punjača baterije.

## Status punjača baterije

Litij-ionsku bateriju tvrtke Husqvarna možete puniti ili upotrebljavati pri bilo kojoj razini napunjenosti. Baterija nije oštećena. Potpuno napunjena baterija neće se prazniti kada je ostavite u punjaču.

LED zaslon	Stanje punjenja
Indikator LED 1 treperi	0% – 25%
Svijetli indikator LED 1, indikator LED 2 treperi	25% – 50%
Svijetle indikatori LED 1, LED 2, indikator LED 3 treperi	50% – 75%
Svijetle indikatori LED 1, LED 2, LED 3, indikator LED 4 treperi	75% – 100%
Svijetle indikatori LED 1, LED 2, LED 3 i LED 4	Potpuno napunjena

## Radnje prije rukovanja proizvodom

1. Tijekom ljeta ili ako je tlo suho, dan prije radova zalijte tlo.

2. Ljudima i životinjama prilaz proizvodu ograničite na 20 m.
3. Postavite kabel na navijač kabela. Pogledajte *Umetanje kabela na stranici 182*.
4. Podešavanje dubine polaganja kabela. Pogledajte *Podešavanje dubine polaganja kabela na stranici 184*.
5. Kraj kabela pričvrstite za klin.

## Pokretanje proizvoda

1. Nagnite upravljač u stranu. Pogledajte *Promjena nagiba upravljača na stranici 185*.
2. Otvorite poklopac baterije.
3. Umetnite napunjenu bateriju u utor za bateriju broj 1 ispod poklopca baterije. Za dulje vrijeme rada umetnite drugu napunjenu bateriju u utor za bateriju 2.
4. Odvojite sigurnosni ključ od držača sigurnosnog ključa.
5. Umetnite sigurnosni ključ u sigurnosnu bravu. (Sl. 34)
6. Stanite iza proizvoda.
7. Pritisnite gumb stanja pripravnosti (A) na upravljačkoj ploči. Uključuje se svjetlosni indikator stanja pripravnosti (B). (Sl. 35)
8. Pritisnite gumb za pokretanje i zaustavljanje (C) dok ne ostane utisnut. Motor se pokreće.



**OPREZ:** Proizvod nemojte pogoniti ako svjetlosni indikator upozorenja (D) treperi crveno.

9. Za pokretanje svrdla pogonsku polugu bušilice pritisnite u smjeru upravljača. (Sl. 36)

## Upotreba pogona na kotačima

- Upravljačku polugu pogona (A) povucite u smjeru upravljača kako biste pokrenuli pogon kotača. (Sl. 37)
- Otpustite upravljačku polugu pogona kako biste isključili pogon kotača.

## Podešavanje dubine polaganja kabela

1. Otpustite kotačić (A). (Sl. 38)
2. Podesite potporni kotačić (B) na potrebnu dubinu polaganja kabela i zategnite kotačić.

**Napomena:** Brojevima (C) na strani potpornog kotačića prikazuje se dubina polaganja kabela u cm. Dubinu polaganja kabela moguće je podesiti u rasponu od 1 – 6 cm.

## Podešavanje visine upravljača

Visinu upravljača moguće je podesiti u 5 položaja.



1. Okrećite ručicu (A) u smjeru suprotnom od kazaljke na satu kako biste je otpustili te uklonite kotačić (B). (Sl. 39)
2. Podesite visinu upravljača i postavite kotačić u otvor najbližeg položaja.
3. Okrenite ručicu u smjeru kazaljke na satu kako biste je zategnuli.

## Promjena nagiba upravljača

Nagib upravljača možete promijeniti kako biste spriječili da vas udaraju prepreke tijekom pogona proizvoda. Upravljač je moguće nagnuti u četiri položaja na desnoj strani te četiri položaja na lijevoj strani.

1. Polugu za nagib upravljača (A) povucite do kraja hoda u smjeru upravljača i zadržite je. Poluga za nagib upravljača nalazi se dolje lijevo na upravljaču. (Sl. 40)
2. Nagnite upravljač u jedan od četiri položaja na lijevoj ili desnoj strani i otpustite polugu za nagib upravljača. Klin kojim se upravljač učvršćuje u položaju obavezno mora biti u jednom od utora. (Sl. 41)

## Blokiranje zakretanja dopremnog krilca

Kako biste povećali preciznost smjera pri polaganju kabela na dugim, ravnim dijelovima, možete zaključati funkciju zakretanja dopremnog krilca.

- Provjerite je li dopremno krilce usmjereno na istu stranu kao i proizvod te zategnite ručicu (A). (Sl. 42)

## Podešavanje vodilice kabela

Ovaj se proizvod podešava za kabele od 4 mm. Ako je kabel većeg promjera, nužno je podesiti vodilicu kabela.

1. Otpustite 2 vijka. (Sl. 43)
2. Podignite vodilicu kabela za nekoliko milimetara.
3. Pritegnite 2 vijka.

## Podešavanje širine traga

Položaj kotača moguće je podesiti na različite širine traga. Četiri su otvora za podešavanje na lijevoj strani osovine te četiri otvora za podešavanje na desnoj strani osovine. Širinu traga moguće je podesiti na 250, 270, 290 ili 310 mm od simetrale svrdla. (Sl. 44)

1. Izvadite klin (A).
2. Podesite kotače na potrebnu širinu traga.
3. Umetnite klin u jedan od četiri otvora (B) na osovini.
4. Zaključajte sigurnosnu oprugu.

## Početak rada

Nakon ugradnje kabela i svrdla rukovatelj kabel mora pričvrstiti na tlo.

1. Zabijte kolac u tlo.
2. Dio kabela koji izlazi iz dna vodilice pričvrstite za klin.

## Upotreba navođenja s dva kabela

Ako se proizvod odmiče od vanjskog ruba radnog područja, nužno je istodobno postaviti dva kabela.

1. Ukopajte jedan kabel duž cijelog ruba. Pogledajte slike (A) i (B). (Sl. 45) (Sl. 46)
2. Kada ste u točki prikazanoj na slici (C), dopremno krilce uklonite iz tla postavljanjem potpornog kotačića u najviši položaj. Pričvrstite kabel klinom i nastavite s kabelom iznad tla do sljedeće točke. (Sl. 47)
3. Pričvrstite kabel klinom u točki prikazanoj na slici (D). (Sl. 48)
4. Postavite dopremno krilce na ispravnu dubinu za polaganje kabela kako biste položili kabel za izradu otoka. Pogledajte sliku (E). (Sl. 49)
5. Kada dođete u točku prikazanu na slici (F), uklonite klin i dopremno krilce. Pogledajte *Čišćenje dopremnog krilca na stranici 186*. (Sl. 50)
6. Iznad tla postavite kabel u vodilicu kabela. (Sl. 51)
7. Istovremeno položite dva kabela u točku prikazanoj na slici (G). Pričvrstite dva kabela za klin i odvojite drugi kabel od vodilice kabela. (Sl. 52)
8. Nastavite polagati kabel ruba do točke na slici (H). (Sl. 53)

## Zaustavljanje proizvoda

Proizvod se automatski zaustavlja ako ga ne upotrebljavate 3 minuta.

1. Otpustite polugu pogona (A) kako biste isključili pogon kotača. (Sl. 37)
2. Otpustite pogonsku polugu bušilice kako biste zaustavili svrdlo. (Sl. 17)
3. Pritisnite gumb za pokretanje/zaustavljanje upravljačkoj ploči.
4. Pritisnite gumb stanja pripravnosti na upravljačkoj ploči.
5. Otvorite poklopac baterije.
6. Izvadite sigurnosni ključ iz sigurnosne brave pa ga stavite u držač sigurnosnog ključa.
7. Strugačem očistite dopremno krilce. Pogledajte *Čišćenje dopremnog krilca na stranici 186*.
8. Glavu bušilice očistite i podmažite nakon svakog rada. Pogledajte *Čišćenje i podmazivanje glave bušilice na stranici 187*.

# Održavanje

## Uvod



**UPOZORENJE:** Prije održavanja morate pročitati i usvojiti poglavlje o sigurnosti.

Za sve radove servisiranja i održavanja na proizvodu potrebna je posebna obuka. Jamčimo dostupnost profesionalnih popravaka i servisa.

Detaljnije informacije potražite pod [www.husqvarna.com](http://www.husqvarna.com).

## Raspored održavanja

Intervali održavanja izračunati su za dnevnu upotrebu proizvoda. Intervali se mijenjaju ako se proizvod ne upotrebljava svakodnevno.

Za održavanje označeno znakom \* pogledajte *Sigurnosni uređaji na proizvodu na stranici 181*.

	Svake upotrebe	Mjesečno	Svake sezone
Provedite opći pregled.	X		
Provjerite ispravnost sigurnosnih uređaja na proizvodu *.	X		
Pregledajte bušilicu i dopremno krilce.	X		
Provjerite ispravnost pogonske poluge bušilice *.	X		
Provjerite je li gumba za pokretanje/zaustavljanje ispravan i neoštećen.	X		
Provjerite je li baterija oštećena.	X		
Provjerite napunjenost baterije.	X		
Provjerite ispravnost gumba za otpuštanje baterije i pričvršćivanje baterije u proizvod.	X		
Očistite usise zraka na motoru. U usisima zraka ne smije biti trave ili onečišćenja.	X		
Podmažite neobojane dijelove.	X		
Podmažite dijelove na kojima se istrošila cinčana obloga.	X		
Očistite i podmažite glavu bušilice.	X		
Očistite dopremno krilce.	X		
Provjerite je li punjač baterije oštećen i uvjerite se u njegovu ispravnost rada.		X	
Pregledajte spojeve između baterije i proizvoda. Također pregledajte spojeve između baterije i punjača baterije.			X

## Čišćenje dopremnog krilca

- Strugačem uklonite zemlju i očistite dopremno krilce. (Sl. 54)

## Zamjena dopremnog krilca

1. Nagnite proizvod prema naprijed i polako ga spustite na tlo.
2. Uklonite dva vijka (A) i dopremno krilce (B). (Sl. 55)
3. Novo dopremno krilce ugradite obrnutim redoslijedom.

## Zamjena svrdla

1. Uklonite travu i onečišćenja s proizvoda.



**OPREZ:** Tijekom postupka ugradnje spriječite prodiranje onečišćenja i drugih nepoželjnih materijala u svrdlo.

**Napomena:** Očistite i podmažite kućište bušilice nakon svakog rada.

2. Uklonite kratki vijak (A) s glave bušilice (B) s osovine (C). (Sl. 56)

**Napomena:** Za zamjenu svrdla potreban je šesterokutni ključ od 6 mm.

- Uklonite dugi vijak (D) i svrdlo (E) s glave bušilice.
- Umetnite novo svrdlo u glavu bušilice i postavite vijak.
- Postavite glavu bušilice na osovinu.
- Zategnite vijke.

## Čišćenje i podmazivanje glave bušilice

Nakon svakog rada temeljito očistite glavu bušilice.

- Nagnite proizvod prema naprijed i polako ga spustite na tlo.
- Travu, onečišćenja i nepoželjni materijal uklonite mekom četkom.
- Manju travu i onečišćenja uklonite komprimiranim zrakom.
- Uklonite vijke (A) s glave bušilice (B) i uklonite svrdlo (C). (Sl. 56)
- Otpustite dva vijka (D) i uklonite dopremno kralce (E). (Sl. 57)
- Uklonite vijak (F) i glavu bušilice (G) s vratila (H). (Sl. 58)

- Proizvod očistite komprimiranim zrakom. Provjerite jeste li uklonili sva onečišćenja, travu i nepoželjne materijale.
- Ako je potrebno, masna onečišćenja uklonite prikladnim otapalom.
- Očistite sve komponente prikladnim otapalom i podmažite svaku komponentu.
- Na vratilo nanesite vodootporna mast. (Sl. 59)

## Čišćenje baterije i punjača baterije



**UPOZORENJE:** Bateriju ili punjač baterije nikada nemojte čistiti vodom.



**UPOZORENJE:** Bateriju nemojte čistiti nikakvim kemijskim sredstvima.

- Prije umetanja baterije u punjač baterije provjerite jesu li baterija i punjač baterije čisti i suhi.
- Očistite polove baterije komprimiranim zrakom ili upotrijebite mekanu i suhu krpu.
- Površine baterije i punjač baterije očistite mekanom i suhom krpom.

## Rješavanje problema

### Rješavanje problema

Ako rješenje problema ne možete pronaći u ovom priručniku, obratite se ovlaštenom serviseru tvrtke Husqvarna.

Problem	Uzrok
Motor se ne pokreće.	Baterija nije napunjena.
	Baterija nije pravilno instalirana.
	Baterija je neispravna.
	Upravljačka ploča je neispravna.
Svrdlo se ne vrti.	Remen je istrošen.
	Remen je skliznuo s remenica.
	Ručica ne zateže remen dovoljno.
Svrdlo se nastavlja vrtjeti nakon otpuštanja pogonske poluge bušilice.	Sajla pogonske poluge bušilice istrošena je ili oštećena.
Proizvod ne funkcionira ispravno.	Svrdlo je istrošeno ili oštećeno.
	Svrdlo nije pravilno postavljeno.

Problem	Uzrok
Proizvod se ne pomiče po primjeni poluge pogona.	Sajla pogonske poluge istrošena je ili oštećena.
	Prijenosno remenje je istrošeno.
	Lanac je puknuo ili je nedovoljno zategnut.
	Diskovi spojke unutar kućišta mjenjača istrošeni su.
Glavu bušilice nije moguće ukloniti.	U jedinici ma nepoželjnog materijala.
	U sustavu ima oksida.
Izolacija kabela položenog u tlo je neispravna.	Izlazni otvor kabela na dopremnom krilcu je oštećen.
	Cijev s kabelom, koja je dio dopremnog krilca, zaprljana je.

## Baterija

LED indikator na bateriji	Uzrok	Rješenje
Trepće zeleni LED indikator.	Napon baterije je nizak.	Napunite bateriju. Pogledajte <i>Zamjena baterije na stranici 184</i> .
Trepće LED indikator za pogreške.	Baterija je slaba.	Napunite bateriju. Pogledajte <i>Baterija na stranici 188</i> .
	Temperatura radnog okoliša je previsoka ili preniska.	Bateriju upotrebljavajte u rasponu temperatura od -10 °C i 40 °C.
	Prenapon.	Napon mreže mora biti jednak naponu na natpisnoj pločici proizvoda.  Izvadite bateriju iz punjača baterije. Pričekajte 5 sekundi i ponovno pokušajte napuniti bateriju. Ako se problem ne ukloni, obratite se ovlaštenom serviseru.
Uključen je LED indikator za pogreške.	Razlika između ćelija je prevelika (1 V).	Obratite se ovlaštenom serviseru.

## Punjač baterije

LED indikator na punjaču baterije	Uzrok	Rješenje
Trepće LED indikator za pogreške.	Temperatura radnog okoliša je previsoka ili preniska.	Punjač baterije upotrebljavajte u rasponu temperature između 5 °C i 40 °C.
Uključen je LED indikator za pogreške.		Obratite se ovlaštenom serviseru.

## Upravljačka ploča

Kod pogreške (broj treperenja)	Moguće pogreške	Mogući postupak
5	Prebrzo opadanje brzine motora i zaustavljanje motora.	Očistite glavu bušilice i smanjite dubinu polaganje kabela. Pogledajte <i>Čišćenje i podmazivanje glave bušilice na stranici 187</i> i <i>Podmazivanje dubine polaganja kabela na stranici 184</i> . Ako je greška još uvijek prisutna, razgovarajte sa svojim ovlaštenim servisnim agentom.
8	Baterija je slaba.	Napunite bateriju. Pogledajte <i>Zamjena baterije na stranici 184</i> .
9	Pogreška baterije ili nema signala baterije.	Pravilno umetnite bateriju u proizvod i pregledajte priključak baterije. Ako trepti LED indikator za pogrešku na bateriji, pogledajte <i>Baterija na stranici 188</i> .
10	Pregrijano je upravljanje motorom.	Zaustavite motor i pričekajte da se ohladi.
Ostale pogreške	Ako dođe do neke druge pogreške, izvadite sigurnosni ključ i bateriju i obratite se ovlaštenom servisnom agentu.	

## Prijevoz, spremanje i zbrinjavanje

### Uvod



**UPOZORENJE:** Kako biste spriječili nenamjerno pokretanje pri transportu, povucite sigurnosni ključ prema gore, uklonite bateriju i pričekajte najmanje 5 sekundi.

### Prijevoz

- Na sadržane litij-ionske baterije primjenjuju se zahtjevi zakona o opasnim tvarima.
- Za komercijalne transporte morate poštivati posebne zahtjeve za pakiranje i oznake.
- Provjerite poštivanje propisa za opasne materijale tijekom pripreme proizvoda za transport. Primjenjuju se lokalni propisi.
- Prije prijevoza obavezno izvadite bateriju.
- Preljepite priključke baterije trakom i onemogućite pomicanje baterije tijekom transporta.
- Pričvrstite proizvod tijekom transporta.

### Skladištenje

- Prije skladištenja proizvoda pričekajte na njegovo hlađenje.
- Prije skladištenja obavezno izvadite bateriju.
- Kako biste spriječili nezgode, bateriju tijekom skladištenja nemojte ostaviti priključenu na proizvod.
- Punjač baterije spremite u zatvoren, suh prostor.

- Bateriju i punjač baterije spremite u suh prostor u koji ne može prodrijeti vlaga ili mraz.
- Bateriju za skladištenje uklonite s punjača baterije.
- Bateriju nemojte skladištiti u prostoru u kojem može nastati statički elektricitet. Akumulator nemojte čuvati u metalnoj kutiji.
- Proizvod čuvajte na temperaturi okoline između - 10 °C i 40 °C.
- Bateriju čuvajte na temperaturi okoline između 5 °C i 25 °C i zaštitite je od sunčeve svjetlosti.
- Punjač baterije čuvajte na temperaturi okoline između 5 °C i 45 °C i zaštitite ga od sunčeve svjetlosti.
- Prije dugotrajnog skladištenja obavezno napunite bateriju na 30% do 50%.
- Proizvod, bateriju i punjač baterije skladištite u zaključanom prostoru izvan dosega djece i neodobrenih osoba.
- Očistite proizvod.
- Provodite postupke održavanja iz ovog korisničkog priručnika. Pogledajte *Raspored održavanja na stranici 186*.
- Prije dugotrajnog skladištenja provedite cjeloviti servis proizvoda.

### Odlaganje

Oznake na proizvodu ili ambalaži proizvoda znače da se proizvod ne smije odlagati zajedno s komunalnim otpadom. Umjesto toga, potrebno ga je odnijeti u

propisani reciklažni centar za prihvata električne i elektroničke opreme.

Ispravnim rukovanjem proizvodom pomažete u ublažavanju negativnih učinaka po okoliš i osobe do kojih može doći u slučaju pogrešnog upravljanja

otpadnim tvarima ovog proizvoda. Pojediniosti o recikliranju proizvoda zatražite od lokalnih tijela uprave, komunalne službe ili u prodavaonici u kojoj ste kupili proizvod.

(Sl. 60)

## Tehnički podaci

<b>Motor bušilice</b>	
Vrsta motora	BLDC (beskontaktni) 36 V
Broj okretaja motora – nazivni, o/min	3000/min
Broj okretaja motora – veliko opterećenje, o/min	3300/min
Snaga motora – maksimalna, kW	1,8
Snaga motora – nazivna, kW	1,2
Mjenjač	Mehanički mjenjač sa stupnjevima prijenosa s uljnom kupkom
Spojka	Remenske vrste, s remenicom
<b>Težina</b>	
Težina bez baterije, kg	39
Težina s 2 x BLi300, kg	43
<b>Baterija</b>	
Vrsta baterije	Serije baterije Husqvarna
<b>Trajanje baterije</b>	
Vrijeme rada baterije, min <sup>41</sup>	38
<b>Emisije buke <sup>42</sup></b>	
Razina jačine zvuka, izmjerena $L_{WA}$ dB (A)	84
Razina jačine zvuka, zajamčena $L_{WA}$ dB (A)	86
<b>Jačina zvuka <sup>43</sup></b>	
Razine tlaka zvuka na uhu rukovatelja, dB (A)	66
<b>Razine vibracije <sup>44</sup></b>	
Ručka, $m/s^2$	1,8
<b>Oprema za polaganje kabela</b>	
Dubina polaganja kabela, cm	1 – 6

<sup>41</sup> Slobodni pogon, izmjereno s u standardnom načinu rada i jednom baterijom tvrtke Husqvarna od 9,4 Ah (BLi300).

<sup>42</sup> Emisije buke u okoliš izmjerene kao jačina zvuka ( $L_{WA}$ ) u skladu s Direktivom EZ 2000/14/EC.

<sup>43</sup> Navedeni podaci za razinu pritiska zvuka uključuju tipično statističko raspršenje (standardno odstupanje) od 1,2 dB (A).

<sup>44</sup> Podaci o razini vibracije pokazuju tipičnu statističku disperziju (standardnu devijaciju) od 0,2  $m/s^2$ . Standard za vibracije EN 1032+A1:2009.

Udaljenost između svrdla i ruba kotača, mm	250, 270, 290, 310
Svrdlo	597 04 84-01

Odobrene baterije	Marka	Vrsta	Kapacitet baterije, Ah	Napon, V	Težina, lb/kg
BLi300	Husqvarna	Litij-ion	9,4	36	4,1/1,9

Odobreni punjači za navedene baterije,BLi	Marka	Ulazni napon, V	Frekvencija, Hz	Snaga, W
QC500	Husqvarna	100 – 240	50 – 60	500

# Izjava o sukladnosti

## EU izjava o sukladnosti

Mi, **Husqvarna AB**, SE-561 82 Huskvarna, Švedska, tel.:  
+46-36-146500, pod punom odgovornošću izjavljujemo  
da proizvod:

<b>Opis</b>	Polagač kabela
<b>Marka</b>	Husqvarna
<b>Vrsta/model</b>	CL400i
<b>Identifikacija</b>	Serijski brojevi iz 2022 i noviji

u potpunosti su sukladni sljedećim EU direktivama i  
propisima:

<b>Propis</b>	<b>Opis</b>
2006/42/EC	„o strojevima“
2014/30/EU	„o elektromagnetskoj kompatibilnosti“
2011/65/EU	„o ograničenoj upotrebi određenih opasnih tvari u električnoj i elektroničkoj opremi“

i primjenjuju se sljedeće norme i/ili tehničke  
specifikacije: EN ISO 12100:2010, EN ISO 14119:2013,  
EN ISO 14120:2015, EN ISO 13857:2019, EN  
62841-1:2015+AC:2015, EN ISO 11202:2010, EN  
1032:2009, EN 55014-1:2017, EN 55014-2:2015, EN  
63000:2018.

Informacije o emisiji buke potražite u odjeljku *Tehnički  
podaci na stranici 190.*

Huskvarna, 2022-03-21



Claes Losdal, razvojni menadžer / proizvođač za vrtove,  
Husqvarna AB

Osoba odgovorna za tehničku dokumentaciju





---

# TARTALOMJEGYZÉK

---

Bevezető.....	193	Hibaelhárítás.....	204
Biztonság.....	194	Szállítás, tárolás és ártalmatlanítás.....	206
Összeszerelés.....	199	Műszaki adatok.....	206
Üzemeltetés.....	199	Megfelelőségi nyilatkozat.....	209
Karbantartás.....	202		

---

## Bevezető

---

### Termékleírás

A termék egy gyalog kísért kábelfektető.

### A termék áttekintése

(ábra 1)

1. Fúróműködtető kar
2. Fogantyú billentőkarja
3. Kerékajtás kapcsoló kar
4. Időmérő
5. Kábeldob
6. Adagolólap
7. Fúró
8. Vezérlőpanel
9. Biztonsági kulcs
10. Akkumulátor (tartozék)
11. Akkumulátortöltő (tartozék)
12. Kezelői kézikönyv

### A terméken található jelzések

(ábra 2) FIGYELMEZTETÉS

(ábra 3) Figyelmeztetés: Forgó alkatrészek. Tartsa kezét és lábát távol.

(ábra 4) Legyen óvatos a kivetett és visszapattanó tárgyakkal.

(ábra 5) Olvassa el az utasításokat.

(ábra 6) A személyeket és állatokat tartsa biztonságos távolságban a munkaterülettől.

(ábra 7) Fennáll a veszély, hogy a közelben tartózkodók zemsérülést szenvednek.

(ábra 8) Óvja a terméket az esőtől.

(ábra 9) Használjon arcpajzsot.

### Rendeltetésszerű használat

A termék segítségével helyezze a robotfűnyíró határolóhuzalát és vezetőhuzalát a talajba. Ne használja a terméket egyéb feladatokra.

(ábra 10) Készenléti üzemmód (fekete gomb).

(ábra 10) Motor elindítása és leállítása (piros gomb).

(ábra 11) A termék és a termék csomagolása nem minősül háztartási hulladéknak. Újrahasznosítását egy elektromos és elektronikus berendezések újrahasznosítására szolgáló ponton kell elvégezni.

(ábra 12) Ez a termék megfelel a vonatkozó EK-irányelveknek.

(ábra 13) A termék megfelel a vonatkozó egyesült királyságbeli irányelveknek.

(ábra 14) Az EU és az Egyesült Királyság irányelveinek és jogszabályainak, és New South Wales „Környezetben történő munkavégzés szabályozása (zajszabályozás), 2017” irányelvének megfelelő környezeti zajkibocsátási címke. A termék garantált hangteljesítményszintjére vonatkozó adatok megtalálhatók az alábbi részen: *Műszaki adatok206. oldalon* és a címkén.

(ábra 15) A termék cseppálló.

---

**Megjegyzés:** A terméken szereplő többi jel/címke egyes piacok specifikus vizsgáztatási követelményeire vonatkozik.

---

### A termék károsodása

A termékben keletkezett károkért nem vállalunk felelősséget, amennyiben:

- a termék javítását helytelenül végezték;
- a termék javítása nem a gyártótól származó vagy általa jóváhagyott alkatrészekkel történt;
- a terméket nem a gyártótól származó vagy általa jóváhagyott kiegészítővel szerelték fel;

- a termék javítását nem hivatalos szakszerviz vagy jóváhagyott egyéb szerviz végezte.

## Biztonság

### Biztonsági meghatározások

A figyelmeztetések, óvintézkedések és megjegyzések a használati utasítás kiemelten fontos részeire hívják fel a figyelmet.



**FIGYELMEZTETÉS:** Akkor használatos, ha a kézikönyv utasításainak be nem tartása esetén fennáll a kezelő vagy a közelben tartózkodók sérülésének vagy halálának veszélye.



**VIGYÁZAT:** Akkor használatos, ha a kézikönyv utasításainak be nem tartása esetén fennáll a vagyoni kár, illetve a termék vagy a környező terület károsodásának veszélye.

**Megjegyzés:** További információt biztosít az adott helyzetben szükséges tennivalókról.

### Általános termékbiztonsági figyelmeztetések



**FIGYELMEZTETÉS:** Olvassa el a jelen termékre vonatkozó összes biztonsági utasítást, útmutatást, ábrát és specifikációt. A az alább felsorolt utasítások figyelmen kívül hagyása áramütést, tüzet és/vagy komoly sérülést okozhat.

**Tegyen el minden figyelmeztetést és utasítást, mert a jövőben szüksége lehet rájuk.** A „termék” kifejezés a figyelmeztetésekben a hálózatról működő (vezetékes) termékre vagy az akkumulátorról (vezeték nélküli) működő termékre vonatkozik.

### A munkaterület biztonsága

- **Tartsa a munkaterületet tisztán és világítsa meg jól.** A zsúfolt vagy sötét területeken könnyen bekövetkeznek balesetek.
- **Ne működtesse a terméket robbanásveszélyes környezetben, pl. gyúlékony folyadékok, gázok vagy por jelenlétében.** A termék szikrát vethet, amely begyújthatja a port vagy a kipárolgást.
- **Tartsa távol a gyermekeket és a szemlélődőket a termék működtetése közben.** A figyelem elvonása miatt elvesztheti az uralmát a szerszám felett.

### Elektromos biztonság

- **A termék dugaszának illeszkednie kell az aljzatba. A dugón soha semmilyen átalakítást ne végezzen. Ne használjon adaptercsatlakozót a földelt termékekhez.** Kisebb az áramütés veszélye, ha eredeti dugókat és hozzájuk illő aljzatokat használ.
- **Kerülje el a földelt felületekkel, pl. csövekkel, radiátorokkal, tűzhelyekkel és hűtőszekrényekkel való érintkezést.** Megnövekszik az áramütés veszélye, ha a teste le van földelve.
- **Ne tegye ki a termékeket esőnek vagy nedves környezetnek.** A termékebe jutó víz növeli az áramütés kockázatát.
- **Ne bányon durván a kábelrel. A kábelt ne használja a termék hordozására, húzására vagy a dugasz kihúzására. Tartsa távol a kábelt hőtől, olajtól, éles széléktől vagy mozgó alkatrészekről.** A sérült vagy összegabalyodott kábelek megnövelik az áramütés kockázatát.
- **Ha kültérben használja a terméket, használjon kültéri használatra megfelelő hosszabbítókábel.** A kültéri alkalmazáshoz megfelelő hosszabbító használata csökkenti az áramütés veszélyét.
- **Ha a termék feltétlenül nedves helyen kell használni, alkalmazzon elégtvédelmi relével (RCD) védett tápellátást.** RCD használatával csökkenthető az áramütés kockázata.

### Személyes biztonság

- **Legyen elővigyázatos, figyeljen arra, amit csinál, és használja a józan eszét a termék működtetése során. Ne használja a terméket, ha fáradt, illetve ha gyógyszer, gyógykezelés vagy alkohol hatása alatt áll.** A termékek működése közben egy pillanatnyi figyelemkiesés is súlyos személyi sérülést okozhat.
- **Használjon személyi védőfelszerelést. Mindig használjon szemvédőt.** A megfelelő környezetben a védőfelszerelések, például a pormaszk, a csúszásgátló védőcipő, a kemény fejtető és a fülvédő használata csökkenti a személyi sérülések kockázatát.
- **Akadályozza meg a véletlen indítást. Ellenőrizze, hogy a bekapcsoló gomb kikapcsol állásban van-e, mielőtt csatlakoztatja az áramforrást és/vagy az akkumulátort, illetve felveszi vagy szállítja a terméket.** Balesetet okozhat, ha a terméket úgy viszi, hogy az ujjá a kapcsolón van, vagy ha a bekapcsolt terméket áram alá helyezi.
- **Távolítson el minden bedíltó kulcsot vagy csavarulkcsot, mielőtt bekapcsolná a terméket.**

A termék forgó alkatrészéhez csatlakozó kulcs vagy más szerszám személyi sérülést okozhat.

- **Ne nyújtózkodjon a termékkel. Mindig szilárdan álljon a talajon, és őrizze meg az egyensúlyát.** Így jobban uralhatja a terméket váratlan helyzetekben.
- **Öltözködjön megfelelően. Ne viseljen ékszereket, rövidnadrágot, szandált, illetve ne legyen mezítlán.** Tartsa távol a haját és ruházatát a mozgó alkatrészekről. A mozgó alkatrészek bekaphatják a laza ruhát, az ékszert vagy a hosszú haját.
- **Ha a készülékhez csatlakoztatható porgyűjtő berendezés, mindig csatlakoztassa és használja azt.** A porgyűjtő alkalmazása csökkenti a porral kapcsolatos veszélyeket.
- **A termékek rendszeres használatából adódó tapasztalata ne vezessen oda, hogy a termékeket könnyelműen, a számszabíztonsági alapelvek figyelmen kívül hagyásával működteti.** Egy gondatlanul kivitelezett művelet akár egy századmásodperc alatt is súlyos sérüléshez vezethet.

## A termék használata és karbantartása

- **Ne terhelje túl a terméket. Használja a feladathoz megfelelő terméket.** A megfelelő termék jobb és biztonságosabb munkát fog végezni azon a biztonságosan, amire tervezték.
- **Ne használja a terméket, ha a kapcsoló nem kapcsolja ki vagy be.** A kapcsolóval nem vezérelhető termékek veszélyesek és javításra szorulnak.
- **Húzza ki a dugaszt az áramforrásból és/vagy vegye ki az akkumulátort (amennyiben kivethető), ha bármilyen beállítást végez, kicseréli egy tartozékot vagy tárolja a termékeket.** Az ilyen megelőző biztonsági intézkedések csökkentik a termék véletlen elindításának veszélyét.
- **A nem használt termékeket tartsa távol a gyerekektől, és ne engedje, hogy olyan személyek működtessék, akik nem ismerik a terméket és ezeket az utasításokat.** A termékek képzetlen felhasználók kezében veszélyt jelentenek.
- **Végezze el a termékek és a tartozékok karbantartását. Ellenőrizze, hogy a mozgó alkatrészek helyükön vannak-e, nem szorulnak-e, nem törtek-e le részek, illetve nem áll-e fenn más olyan állapot, amely befolyásolhatja a termék működését. Ha sérült, a használat előtt javíttassa meg a terméket.** Sok balesetet rosszul karbantartott termékek okoznak.
- **Tartsa élesen és tisztán a vágószerszámokat.** A megfelelően karbantartott, éles vágószerszámok kevésbé hajlamosak a beszorulásra, és könnyebb kezelni őket.
- **A terméket, a kiegészítőket és az alkatrészeket stb. ezen utasításokkal összhangban használja, vegye figyelembe a munkakörülményeket és az elvégzendő feladatot.** Ha a termék nem a rendeltetésének megfelelően használják, veszélyes helyzet állhat elő.

- **A fogantyúkat és fogófelületeket tartsa szárazon, tisztán, olaj- és zsírmentesen.** A csúszós fogantyúk és fogófelületek nem teszik lehetővé a termék biztonságos kezelését és irányítását váratlan helyzetekben.

## Szolgáltatás

- **A termék szervizelését képzett szerelővel végeztesse el, aki kizárólag eredeti cserealkatrészeket használ.** Ez biztosítja, hogy a termék továbbra is biztonságos maradjon.
- **Soha ne szervizelje a sérült akkumulátort.** Az akkumulátor szervizelését csak a gyártó vagy egy hivatalos szolgáltató végezheti el.

## Az akkumulátor használata és karbantartása

- **Csak a gyártó által meghatározott töltővel töltsen.** Az a töltő, amelyek az egyik típusú akkumulátorhoz használható, tűzveszélyes lehet, ha másik típusú akkumulátorral használják.
- **A termékeket csak a típusuknak megfelelő akkumulátorokkal használja.** Bármilyen más típusú akkumulátor használata sérülés- és tűzveszélyes.
- **Amikor az akkumulátort nem használja, tartsa távol más fémtárgyaktól, például gémkapcsoktól, érméktől, kulcsoktól, tűktől, csavaroktól vagy más kisebb fémtárgyaktól, amelyek összekapcsolhatják a sarukat.** Az akkumulátorsaruk rövidre zárása égést vagy tüzet okozhat.
- **Nem megfelelő körülmények hatására az akkumulátorból folyadék szivároghat ki. Kerülje az érintkezést. Ha ez véletlenül mégis megtörténik, öblítse le vízzel.** Ha a folyadék szembe kerül, forduljon orvoshoz. Az akkumulátorból távozó folyadék irritációt vagy égési sérülést okozhat.
- **Ne használjon sérült vagy módosított akkumulátort vagy szerszámot.** A sérült vagy módosított akkumulátorok kiszámíthatatlanul viselkedhetnek, ami tüzet, robbanást vagy sérülést okozhat.
- **Az akkumulátort vagy szerszámot ne tegye ki tűznek vagy túl magas hőmérsékletnek.** A tűznek való kitettség, illetve a 130 °C/265 °F feletti hőmérséklet robbanást okozhat.
- **Kövesse a töltésre vonatkozó utasításokat, és ne töltsen az akkumulátort vagy a szerszámot az utasításokban megadott hőmérséklet-tartományon kívül.** A nem megfelelő, illetve a megadott tartományon kívül eső hőmérsékleten való töltés károsíthatja az akkumulátort és növeli a tűzveszélyt.

## Általános biztonsági utasítások



**FIGYELMEZTETÉS:** A termék használata előtt olvassa el az alábbi figyelmeztetéseket.

- Ez a termék veszélyes, ha helytelenül használja, vagy ha nem vigyáz. A biztonsági utasítások be nem tartása sérüléssel vagy halállal járhat.

- A termék működés közben elektromágneses mezőt hoz létre. Ez bizonyos körülmények esetén hatással lehet az aktív vagy passzív orvosi implantátumokra. A súlyos vagy halálos sérülés kockázatának csökkentése érdekében azt javasoljuk, hogy az orvosi implantátumot használó személyek a termék alkalmazása előtt kérjék ki orvosuk vagy az orvosi implantátum gyártójának tanácsát.
- Mindig megfontoltan és előrelátóan cselekedjen. Ha nem biztos benne, hogyan kell a terméket speciális helyzetben üzemeltetni, akkor hagyja abba a tevékenységet, és beszéljen a Husqvarna kereskedőjével a folytatás előtt.
- Ne feledje, hogy a kezelő felelős a másokat és a mások tulajdonát érő balesetekért is.
- Tartsa tisztán a terméket. Ügyeljen arra, hogy a jelek és címkék jól olvashatóak legyenek.
- Soha ne engedje, hogy gyermekek vagy a kezelési utasításokat nem ismerő személyek használják a készüléket. A helyi rendelkezések adott esetben kezelési korhatárt szabhatnak meg.
- Csökkent fizikai vagy szellemi képességekkel rendelkező személy csak felügyelet mellett használhatja a terméket. Egy felelős felnőttnek mindig jelen kell lennie.
- Ne használja a terméket, ha fáradt, beteg, illetve alkohol, drog vagy gyógyszer hatása alatt áll. Ez negatív hatással van a látására, az éberségére, a koordinációjára és az ítélőképességére.
- Ne használja a terméket, ha az sérült vagy nem működik megfelelően.
- Ne változtassa meg a terméket, vagy ne használja, ha feltehetőleg valaki más változtatásokat hajtott végre rajta.
- A kábelfektetőnek ütköző tárgyak elrepülve személyek vagy tárgyak sérülését okozhatják. A közelben állókat és az állatokat tartsa biztonságos távolságban a terméktől.
- Ne használja a terméket rossz időben, például ködben, esőben, erős szélben, nagy hidegben, villámlás veszélyes esetén. A termék rossz időjárási körülmények között vagy nyirkos, nedves helyeken történő használata fásasztó. A rossz időjárás veszélyes körülményeket, például csúszós felületeket okozhat.
- Ügyeljen az olyan személyekre, tárgyakra és helyzetekre, amelyek akadályozzák a termék biztonságos üzemeltetését.
- Ügyeljen az olyan akadályokra, mint a gyökerek, kövek, gallyak, gödrök és árok. A magas fű akadályokat rejthet.
- Ne használja a terméket 15 foknál meredekebb lejtőn.
- Lejtős terepen rendkívül óvatosan váltson irányt. Az emelkedőknél/lejtőknél mindig oldalirányban működtesse a terméket. Ne haladjon felfelé vagy lefelé.
- Legyen körültekintő, ha olyan sarkok és tárgyak közelébe ér, amelyek gátolják a tiszta kilátást.
- Ügyeljen arra, hogy a fűrő ne ütközzön olyan tárgyakba, mint például kövek és gyökerek. Ez kárt tehet a fűrőben, és meghajlíthatja a motor tengelyét. A meghajlott motortengely erős rezgést okoz, és így nagyon nagy a kockázata annak, hogy a fűrő meglazul.
- Ha a fűrő valamilyen tárgynak ütközik vagy rezegni kezd, azonnal állítsa le a terméket. Állítsa le a motort, húzza fel a biztonsági kulcsot és távolítsa az akkumulátort. Várjon, amíg a mozgó alkatrészek megállnak. Ellenőrizze, hogy a termék sérülésmentes-e. Szorítsa meg a laza alkatrészeket. Javítsa meg a sérüléseket, és cserélje ki a sérült alkatrészeket. Bizza hivatalos szervizműhelyre a javítást.

## Munkabiztonság



**FIGYELMEZTETÉS:** A termék használata előtt olvassa el az alábbi figyelmeztetéseket.

- A termék segítségével helyezze a robotfűnyíró határolóhuzalát és vezetőhuzalát a talajba. Ne használja a terméket egyéb feladatokra.
- Használjon személyi védőfelszerelést. Lásd: *Személyi védőfelszerelés 197. oldalon.*
- Mindenképpen legyen tisztában azzal, hogy vészhelyzet esetén hogyan kell gyorsan leállítani a motort.
- Ne működtesse a terméket esős vagy nedves körülmények között. A termékbe jutó víz növeli az áramütés kockázatát.
- Csak akkor használja a készüléket, ha a fűrő és az összes borítás megfelelően van rögzítve. A nem megfelelően rögzített fűrő kilazulhat, és személyi sérülést okozhat.
- A termék használata előtt távolítsa el a különböző tárgyakat, például ágakat, gallyakat és köveket a munkaterületről.
- Amikor a motor működésben van, ne rögzítse tartósan a fűrőműködtető kart a fogantyúhoz.
- Helyezze a terméket stabil, vízszintes felületre, és kapcsolja be.
- Mindig maradjon a termék mögött, amikor működteti.
- A termék üzemeltetése során minden kerék legyen a talajon, és tartsa két kézzel a fogantyút.
- Tartsa távol a kezét és a lábát a forgó fűrőtől.
- Ne döntse meg a terméket a motor indításakor vagy a termék működése közben.
- Legyen óvatos, amikor hátrafelé húzza a terméket.
- Ne emelje fel a terméket, ha a motor jár. Ha mindenképpen fel kell emelnie a terméket, először állítsa le a motort, húzza fel a biztonsági kulcsot és távolítsa el az akkumulátort.
- Ne sétáljon hátrafelé a termék működtetése során.
- Oldja ki a fűrőműködtető kart a fűrő lefékezéséhez, amikor a terméket meg kell dönteni a szállításhoz.

- Ne fusson a termékkel, ha a motor jár. Mindig sétáljon a termék működtetése során.
- A kábelfektetési mélység módosítása előtt állítsa le a motort. Ne végezzen beállításokat, amikor a motor jár.
- Járó motor esetén ne hagyja felügyelet nélkül a terméket. Állítsa le a motort, és győződjön meg arról, hogy a fűrő nem forog.
- A termék működés közbeni rezgései eltérhetnek az itt megadott rezgésértékektől: *Műszaki adatok206. oldalon.* Az eltérést a termék eltérő használati módja okozza. Ha a terméket gyakran vagy hosszú ideig használja, a rezgések okozta sérülések elkerülése érdekében rendszeresen tartson szünetet.

## Biztonsági utasítások az üzemeltetéshez

A termék használata előtt olvassa el a következő utasításokat.

- Ellenőrizze, hogy a kábelvezetőn a kábel ép-e.
- Győződjön meg róla, hogy az adagolólapban lévő cső sértetlen. Cserélje ki a csövet, ha az kopott vagy sérült.

(ábra 16)

- Győződjön meg róla, hogy a nyílás körül a perem nem éles vagy sérült. Ha sérülést talál, cserélje ki a kábelvezetőt.
- Győződjön meg arról, hogy az összes csavar szorosan meg van-e húzva.
- Győződjön meg arról, hogy minden kar semleges helyzetben van-e.

## Személyi védőfelszerelés



**FIGYELMEZTETÉS:** A termék használata előtt olvassa el az alábbi figyelmeztetéseket.

- A személyi védőfelszerelés nem küszöböli ki teljes mértékben a sérülés kockázatát, de csökkenti a sérülés mértékét, ha bekövetkezik a baleset. A megfelelő felszerelés kiválasztásában kérje a kereskedő segítségét.
- Használjon nagy teherbírású, csúszásmentes bakancsot vagy cipőt. Ne használja nyitott cipőben vagy mezítláb a terméket.
- Viseljen vastag, hosszú szárú nadrágot.
- Viseljen védőkesztyűt szükség esetén, például a kábelfektető felhelyezésekor, ellenőrzésekor vagy tisztításakor.
- Javasoljuk, hogy használjon hallásvédőt.

## Biztonsági eszközök a terméken



**FIGYELMEZTETÉS:** A termék használata előtt olvassa el az alábbi figyelmeztetéseket.

- Ne használja a terméket sérült vagy nem megfelelően működő biztonsági eszközökkel.
- Ne távolítsa el és ne végezzen módosításokat a biztonsági eszközökön.
- Rendszeresen ellenőrizze a biztonsági eszközöket. Ha a biztonsági eszközök sérültek vagy nem működnek megfelelően, forduljon a Husqvarna szakszervizhez.

## Biztonsági kulcs

A biztonsági kulcs az akkumulátorfedél alatt helyezkedik el. A biztonsági kulcs csatlakoztatja a motort ellátó akkumulátort.

### A biztonsági kulcs ellenőrzése

A biztonsági kulcs csatlakoztatja a motort ellátó akkumulátort.

- Indítsa el, majd állítsa le a motort. Ha a biztonsági kulcs megfelelően működik, a motor csak akkor indítható be, ha a kulcs a biztonsági zárban van.

## Fűrőműködtető kar

A fűrőműködtető kar leállítja a fűrőt. A fűrőműködtető kar felengedések a fűrő leáll.

A fűrőműködtető kar ellenőrzéséhez indítsa el a motort, majd engedje el a fűrőműködtető kart. Ha a fűrő 3 másodpercen belül nem áll le, forduljon egy hivatalos Husqvarna szakszervizhez.

(ábra 17)

## Az akkumulátorral kapcsolatos biztonsági előírások



**FIGYELMEZTETÉS:** A termék használata előtt olvassa el az alábbi figyelmeztetéseket.

- A Husqvarna tölthető akkumulátorokat csak a kompatibilis Husqvarna termékek tápellátására használja. Ne használja az akkumulátort más eszközök áramforrásként, mivel ez balesetveszélyes.
- Ne használjon nem újratölthető akkumulátorokat.
- Elektromos áramütés veszélye. Ne érintse az akkumulátorsarukat kulcsokhoz, érmékhez, csavarokhoz vagy egyéb fémhez. Ez az akkumulátor rövidzárlatot okozhatja.
- Ne tegyen tárgyakat az akkumulátor szellőzőnyílásaiba.
- Tartsa távol az akkumulátort a közvetlen napsütéstől, hőtől és nyílt lángtól. Az akkumulátor felrobbanhat, és súlyos égési, illetve vegyi égési sérüléseket okozhat.
- Tartsa az akkumulátort esős, nedves környezetétől távol.
- Tartsa az akkumulátort mikrohullámoktól és magas nyomástól távol.

- Soha ne próbálkozzon az akkumulátor szétszerelésével vagy szétfőrésével.
- Ha az akkumulátor szivárog, ne hagyja, hogy a folyadék bőrrre vagy szembe kerüljön. Ha a folyadékhoz ért, nagy mennyiségű vízzel tisztítsa meg az adott testfelületet, és forduljon orvoshoz.
- Az akkumulátort csak 5 °C és 40 °C közötti környezeti hőmérséklet mellett használja a termékben.
- Az akkumulátortöltőt csak 5 °C és 40 °C közötti környezeti hőmérséklet mellett használja.
- Az akkumulátor nem töltődik fel, ha az akkumulátor hőmérséklete 50 °C-nál magasabb.
- Soha ne tisztítsa vízzel az akkumulátort vagy az akkumulátortöltőt. Lásd: *Az akkumulátor és az akkumulátortöltő tisztítása204. oldalon.*
- Ne használjon sérült akkumulátort.
- A tárolás során tartsa az akkumulátorokat távol a fém tárgytól, például szegektől, érméktől, ékszerektől.

## Az akkumulátortöltő készülék biztonsága



**FIGYELMEZTETÉS:** A termék használata előtt olvassa el az alábbi figyelmeztetéseket.

- A QC akkumulátortöltőket csak a Husqvarna csereakkumulátorok töltésére használja.
- Áramütés vagy rövidzárlat veszélye. Ne tegyen tárgyakat a töltő szellőzőnyílásaiba. Ne próbálkozzon az akkumulátortöltő szétszerelésével. Ne érintsen a töltő csatlakozóihoz fémtárgyat. Használjon jóváhagyott hálózati aljzatot.
- A termék működés közben elektromágneses mezőt hoz létre. Ez bizonyos körülmények esetén hatással lehet az aktív vagy passzív orvosi implantátumokra. A súlyos vagy halálos sérülés kockázatának csökkentése érdekében azt javasoljuk, hogy az orvosi implantátumot használó személyek a termék alkalmazása előtt kérjék ki orvosuk vagy az orvosi implantátum gyártójának tanácsát.
- Rendszeresen ellenőrizze, hogy az akkumulátortöltő tápkábele nem sérült-e, és hogy nincs rajta repedés.
- Ne emelje fel az akkumulátortöltőt a tápkábelnél fogva. Az akkumulátortöltő fali aljzattól történő kihúzásához a dugaszt húzza. Ne a tápkábelből húzza.
- Tartsa távol a hálózati tápkábelt és a hosszabbítókábel a víztől, az olajtól és az éles élektől. Ügyeljen rá, hogy a kábel ne csipődjön be ajtóba, korlátba vagy hasonló tárgyba. Ilyen esetben a töltő feszültség alá kerülhet.
- Soha ne tisztítsa vízzel az akkumulátortöltőt.
- Az akkumulátortöltőt 8 éven felüli gyermekek, illetve csökkent fizikai, érzékelési vagy

- szellemi képességekkel rendelkező, vagy az akkumulátortöltő működtetésében járatlan személyek is használhatják, amennyiben ezt felügyelet mellett teszik, illetve ismerik a készülék biztonságos működtetésének módját és az azzal járó veszélyeket. Gyermekek nem játszhatnak az akkumulátortöltővel. Gyermekek csak felügyelet mellett végezhetnek tisztítást és karbantartást.
- Ne töltsön nem újratölthető akkumulátorokat a töltővel.
- Ne használja az akkumulátortöltőt gyúlékony anyagok vagy olyan anyagok közelében, amelyek korróziót okozhatnak. Ne takarja le a töltőkészüléket. Amennyiben a töltő füstölni vagy égni kezdene, húzza ki a dugóját.
- Ne használjon sérült akkumulátortöltőt.
- Az akkumulátort csak jó szellőzésű helyiségben, napfénytől távol töltsen. Ne töltsen az akkumulátort nedves körülmények között.

## Biztonsági utasítások a karbantartáshoz



**FIGYELMEZTETÉS:** A termék használata előtt olvassa el az alábbi figyelmeztetéseket.

- Karbantartás előtt vegye ki a biztonsági kulcsot.
- A termék élettartamának növelése és a balesetveszély elkerülése érdekében végezze el szakszerűen a karbantartási műveleteket. Bízva hivatalos szervizműhelyre a professzionális javítást. Bővebb információért forduljon a legközelebbi szakszervizhez.
- Csak a felhasználói kézikönyvben megadott karbantartást végezze el.
- Használjon strapabíró kesztyűt, amikor a kábelfektető berendezéshez nyúl.
- A legjobb és legbiztonságosabb teljesítmény érdekében tartsa tisztán a terméket.
- Rendszeresen ellenőriztesse a gépet a szakszervizzel, és végeztesse el a szükséges beállításokat és javításokat.
- A sérült, kopott vagy törött alkatrészt cserélje ki.
- Kövesse a tartozékcserére vonatkozó utasításokat. Kizárólag a gyártótól származó tartozékokat használja.
- Ha nincs használatban, tartsa a terméket, az akkumulátort és az akkumulátortöltőt elkülönítve egy száraz, beltéri és zárt területen. Gondoskodjon róla, hogy gyermekek és felhatalmazással nem bíró személyek ne férhessenek hozzá a termékhez, az akkumulátorhoz és az akkumulátortöltőhöz.

---

# Összeszerelés

---

## Bevezető



**FIGYELMEZTETÉS:** Figyelmesen olvassa el a biztonságról szóló fejezetet, mielőtt összeállítaná a terméket.

## A fúró felszerelése

1. Tegye a fúrót (A) a fúrófejbe (B), és szerelje be a hosszú csavart (C). (ábra 18)

**Megjegyzés:** A fúró felszereléséhez 6 mm-es imbuszkulcsra van szükség.

2. Szerelje fel a fúrófejet a nyélre (D) a rövid csavarral (E).
3. Húzza meg a csavarokat.

## A kábel felszerelése

A termék egy eltávolítható kábeldobbal rendelkezik.

1. Helyezze a kábelt a kábeldobra. A tekerőgomb segítségével forgassa el a kábeldobot az óramutató járásával egyező irányba.

**Megjegyzés:** A kábelt az óramutató járásával egyező irányban kell felszerelni a kábeldobra, hogy működés közben egyenletesen tekeredjen le. (ábra 19)

2. Nyomja be a kábelt az adagolólapon (A) lévő csőbe, amíg a kábel alulról (B) kb. 5 cm-re ki nem jön. (ábra 20)

## A kábeldob felszerelése és eltávolítása

1. Lazítsa meg a tekerőgombot (A). (ábra 21)
2. Távolítsa el a rögzítőt (B).
3. Távolítsa el a kábeldobot (C).
4. Szerelje fel a kábeldobot (D). Szükség esetén használjon adaptert. (ábra 22)
5. Szerelje vissza a rögzítőt (E), és húzza meg a tekerőgombot (F).

---

# Üzemeltetés

---

## Bevezető



**FIGYELMEZTETÉS:** A termék működtetése előtt el kell olvasnia és meg kell értenie a biztonságról szóló fejezetet.

## Husqvarna Fleet Services™

A Husqvarna Fleet Services™ egy felhőalapú megoldás, amely segítségével a kezelő áttekintheti az összes csatlakoztatott terméket. Ez a termék felszerelhető egy Husqvarna Fleet Services™ érzékelővel. A Husqvarna Fleet Services™ érzékelő termékadatokat gyűjt, és segítségével csatlakozhat a Husqvarna Fleet Services™ rendszerhez. A Husqvarna Fleet Services™ rendszerből adatokat nyerhet ki az üzemidőre, a szervizintervallumokra és a termék helyzetére vonatkozóan.

Ha több információt szeretne megtudni a Husqvarna Fleet Services™ szolgáltatással kapcsolatban, töltsse le a Husqvarna Fleet Services™ alkalmazást vagy keresse fel Husqvarna képviselőjét.

## Az érzékelő (tartozék) előkészítése

1. Nyissa fel az érzékelő fedelét az érzékelőkulccsal. (ábra 23)
2. Távolítsa el az érzékelőt.

3. Csatlakoztassa az akkumulátort az érzékelőhöz. Az érzékelő LED-jelzőfénye kigyullad. (ábra 24)
4. Töltse le a Husqvarna Fleet Services™ alkalmazást.
5. Jelentkezzen be a Husqvarna Fleet Services™ alkalmazásba.
6. Végezze el a párosítási folyamatot. Lásd: *Az alkalmazás és a termék párosítása 199. oldalon*

## Az alkalmazás és a termék párosítása

1. Jelentkezzen be a Husqvarna Fleet Services™ alkalmazásba.
2. Válassza ki termékét az alkalmazásban.
3. Az érzékelő az alkalmazásban való telepítéséhez olvassa be az érzékelő mögött található kódot mobilkészülékével.

**Megjegyzés:** Az alkalmazás és a termék közötti párosítási folyamatot csak egyszer kell elvégezni.

## Az érzékelő beszerelése

1. Győződjön meg róla, hogy az érzékelő csatlakoztatva van-e a Husqvarna Fleet Services™ alkalmazáshoz. Lásd: *Az alkalmazás és a termék párosítása 199. oldalon*.

- Fúrjon 2 lyukat a burkolat nyílásában lévő jelöléseknél. (ábra 25)
- 
- Megjegyzés:** Ügyeljen rá, hogy a furatok mérete egyezzen az érzékelőhöz mellékelt szegecsekével.
- 
- Egy fogó segítségével távolítsa el az érzékelő nyílásának külső furatait. (ábra 26)
  - Fúrjon két lyukat az érzékelőnyílásban lévő jelöléseknél. (ábra 27)
  - Igazítsa az érzékelőnyílást a burkolat nyíláshoz. (ábra 28)
  - Rögzítse az érzékelőnyílást a szegecsekkel.
  - Szerelje be az érzékelőt az érzékelőnyílásba. Igazítsa az érzékelő fehér jelölését az érzékelőnyíláson található jelöléshez. (ábra 29)
  - Csukja le az érzékelő fedelét, és zárja be az érzékelőkulccsal. Ügyeljen rá, hogy a „H” Husqvarna teteje effele nézzen a biztonsági kulcstól. (ábra 30)

## Akkumulátor



**FIGYELMEZTETÉS:** Az akkumulátor használata előtt el kell olvasnia és meg kell értenie a biztonságról szóló fejezetet. Olvassa el figyelmesen az akkumulátorhoz és az akkumulátortöltőhöz mellékelt használati útmutatót is.

Tartsa az akkumulátort és az akkumulátortöltőt megfelelő környezeti hőmérsékleten.

	Környezeti hőmérséklet
Az akkumulátor használata	5 °C – 40 °C
Az akkumulátor feltöltése	5 °C – 40 °C

## Akkumulátorállapot

A kijelző jelzi az akkumulátor töltöttségét, valamint azt, hogy van-e valami probléma az akkumulátorral. Az akkumulátortöltöttség jelzése 5 másodpercig látható a termék kikapcsolása, illetve az akkumulátorjelző gomb megnyomása után. Hiba esetén az akkumulátor figyelmeztető lámpája világít. Lásd: *Akkumulátor205. oldalon.*

(ábra 31)

LED lámpák	Akkumulátorállapot
Minden LED világít	Teljes töltöttség (75–100%)
Az 1., 2. és 3. LED világít	Az akkumulátor töltöttsége 50–75%-os

LED lámpák	Akkumulátorállapot
Az 1. és 2. LED világít	Az akkumulátor töltöttsége 25–50%-os
Az 1. LED világít	Az akkumulátor töltöttsége 0–25%-os
Az 1. LED villog.	Az akkumulátor lemerült. Töltse fel az akkumulátort.

## Az akkumulátor töltése

Az első használat előtt töltse fel az akkumulátort. Az akkumulátor gyárilag csak 30%-ra van feltöltve.

**Megjegyzés:** Az akkumulátortöltőt a típusablán szereplő feszültségű és frekvenciájú áramforráshoz kell csatlakoztatni.

Ha az akkumulátor hőmérséklete 50 °C felett van, a töltés nem indul el. Az akkumulátortöltő csökkenti az akkumulátor hőmérsékletét, mielőtt megkezdene annak töltését.

- Csatlakoztassa az akkumulátortöltőhöz való tápkábel egyik végét az akkumulátortöltő aljzatához.
- Csatlakoztassa az akkumulátortöltőhöz való tápkábel másik végét egy földelt hálózati aljzathoz. Egyszer zölden felvillan a töltő LED-je. (ábra 32)
- Helyezze az akkumulátort a töltőbe. Az akkumulátor és a töltő közötti helyes érintkezésről a töltőn lévő zöld lámpa világítása tanúskodik. (ábra 33)
- Ha az akkumulátoron az összes LED világít, az akkumulátor teljesen fel van töltve. Az akkumulátort legfeljebb 24 óráig töltsé.
- Az akkumulátortöltő fali aljzattól történő kihúzásához húzza, ne a tápkábelt.
- Vegye ki az akkumulátort a töltőből.

## Akkumulátortöltési állapot

A Husqvarna lítiumion-akkumulátorok bármilyen töltöttségi szintnél tölthetők vagy használhatók. Ez nem árt az akkumulátoroknak. A teljesen feltöltött akkumulátor a töltőkészülékben hagyva sem veszít a töltöttségéből.

LED-es kijelző	Töltési állapot
Az 1. LED villog.	0%–25%
Az 1. LED világít, a 2. LED villog	25%–50%
Az 1. és 2. LED világít, a 3. LED villog.	50%–75%
Az 1., 2. és 3. LED világít, a 4. LED villog.	75%–100%
Az 1., 2., 3. és 4. LED világít	Teljesen feltöltve



## A termék működtetése előtti teendők

1. Nyáron vagy száraz talaj esetén a munkavégzés előtti napon öntözze be földet.
2. Ügyeljen arra, hogy az emberek, és az állatok legalább 20 m távolságra legyenek a terméktől.
3. Helyezze a kábelt a kábeldobra. Lásd: *A kábel felszerelése 199. oldalon.*
4. Állítsa be a kábelfektetési mélységet. Lásd: *A kábelfektetési mélység beállítása 201. oldalon.*
5. Csatlakoztassa a kábel végét egy cövekhez.

## A termék elindítása

1. Döntse oldalra a fogantyút. Lásd: *A fogantyú döntése 201. oldalon.*
2. Nyissa fel az akkumulátorfedelet.
3. Helyezzen egy feltöltött akkumulátort az akkumulátorfedél alatti 1. számú akkumulátornyílásba. A hosszabb üzemidő érdekében tegyen egy második feltöltött akkumulátort a 2. számú akkumulátornyílásba.
4. Válassza le a biztonsági kulcsot a biztonsági kulcstartóról.
5. Nyomja be a biztonsági kulcsot a biztonsági zárba. (ábra 34)
6. Maradjon a termék mögött.
7. Nyomja meg a vezérlőpanelen lévő készenlét gombot (A). A készenlétjelző (B) világítani kezd. (ábra 35)
8. Tartsa nyomva a start/stop gombot (C) addig, amíg az benyomva nem marad. A motor ekkor beindul.



**VIGYZAT:** Ne működtesse a terméket, ha a figyelmeztető lámpa (D) pirosan villog.

9. A fúró elindításához nyomja a fúróműködtető kart a fogantyú irányába. (ábra 36)

## A kereken levő meghajtó használata

- A kerekek meghajtásának bekapcsolásához húzza a hajtásvezérlő kart (A) a fogantyú irányába. (ábra 37)
- Engedje el a hajtásvezérlő kart a kerekek meghajtásának kikapcsolásához.

## A kábelfektetési mélység beállítása

1. Lazítsa meg a tekerőgombot (A). (ábra 38)
2. Állítsa be a támasztókereket (B) a szükséges kábelfektetési mélységre, és húzza meg a tekerőgombot.

**Megjegyzés:** A támasztókerék csövének oldalán lévő számok (C) a kábelfektetési mélységet

mutatják cm-ben. A kábelfektetési mélység 1–6 cm között állítható.

## A fogantyú magasságának beállítása

A fogantyú magassága 5 pozícióba állítható.

1. Forgassa a fogantyút (A) az óramutató járásával ellentétes irányba a megállításához, és távolítsa el a tekerőgombot (B). (ábra 39)
2. Állítsa be a fogantyú magasságát, és csavarja be a tekerőgombot a legközelebbi pozíció nyílásába.
3. A rögzítéséhez forgassa el a fogantyút az óramutató járásával egyező irányba.

## A fogantyú döntése

A fogantyú megdöntésével megakadályozhatja, hogy a termék használata közben az akadályok megüssék Önt. A fogantyú jobb és bal oldalán is 4 helyzetbe dönthető.

1. Húzza be teljesen a fogantyú billentőkarját (A) a fogantyú irányába, és tartsa meg. A fogantyú billentőkarja a fogantyú bal alsó részén található. (ábra 40)
2. Döntse a fogantyút a 4 pozíció egyikébe balra vagy jobbra, majd engedje el a fogantyú billentőkarját. Győződjön meg arról, hogy a fogantyú helyzetét rögzítő csap a nyílások egyikében van. (ábra 41)

## Az adagolólap forgásának zárolása

Ha hosszú, egyenes szakaszokra helyezi a kábelt, az iránypontosság növelése érdekében zárolhatja az adagolólap forgását.

- Győződjön meg arról, hogy az adagolólap a termékkel megegyező irányban van, és húzza meg a fogantyút (A). (ábra 42)

## A kábelvezető beállítása

A termék 4 mm-es kábelhez van beállítva. Ha a használni kívánt kábel átmérője nagyobb, a kábelvezetőt be kell állítani.

1. Lazítsa meg a 2 csavart. (ábra 43)
2. Mozgassa a kábelvezetőt néhány milliméterrel feljebb.
3. Húzza meg a 2 csavart.

## A nyomtáv beállítása

A kerekek helyzete különböző nyomtávokhoz állítható. A tengely jobb és bal oldalán 4–4 állítónyílás található. A nyomtáv a fúró közepétől 250, 270, 290 vagy 310 mm-re állítható. (ábra 44)

1. Húzza ki a csapot (A).
2. Állítsa be a kerekeket a kívánt nyomtávra.

- Helyezze a csapot a tengely 4 nyílásának (B) egyikébe.
- Rögzítse a biztonsági rugóval.

## A munkavégzés megkezdése

A kábel és a fúró felszerelése után a kezelőnek rögzítenie kell a kábelt a talajhoz.

- Szúrjon egy cöveket a talajba.
- A kábelvezető aljánál kilépő kábelvéget rögzítse a cövekhez.

## A kettős kábelvezető használata

Ha a termék eltávolodik a munkaterület külső határától, akkor egyszerre két kábelt kell lefektetni.

- Fektessen le egy kábelt a terület határának mentén. Lásd az (A) és (B) ábrát. (ábra 45) (ábra 46)
- Ha a (C) ábrán látható ponton tart, állítsa a támasztókereket a legmagasabb helyzetbe, hogy az adagolólap eltávolítható legyen a talajról. Rögzítse a kábelt egy cövekkel, és folytassa a kábel fektetését a talaj felett, amíg a következő pontra nem ér. (ábra 47)
- Rögzítse a kábelt a (D) ábrán látható helyen egy cövekkel. (ábra 48)
- Helyezze az adagolólapot a megfelelő kábel fektetési mélységbe, és a sziget létrehozásához fektesse tovább a kábelt. Lásd az (E) ábrát. (ábra 49)
- Miután elérte az (F) ábrán jelzett pontot, távolítsa el a cöveket, és tisztítsa meg az adagolólapot. Lásd: *Az adagolólap tisztítása203. oldalon.* (ábra 50)

- Rögzítse a föld feletti kábelt a kábelvezetőbe. (ábra 51)
- Folytassa a két kábel lefektetését a (G) ábrán jelzett pontig. Rögzítse a két kábelt egy cövekhez, majd vállassza le a második kábelt a kábelvezetőről. (ábra 52)
- Folytassa a kábel fektetését a terület határán a (H) ábrán látható pontig. (ábra 53)

## A termék leállítása

A termék automatikusan leáll, ha 3 percig nem használja.

- Engedje el a kerékajtás-kapcsoló kart (A) a kerekek meghajtásának kikapcsolásához. (ábra 37)
- A fúró leállításához engedje el a fúróműködtető kart. (ábra 17)
- Nyomja meg a vezérlőpanelen lévő start/stop gombot.
- Nyomja meg a vezérlőpanelen lévő készenlét gombot.
- Nyissa fel az akkumulátorfedelet.
- Vegye ki a biztonsági kulcsot a biztonsági zárból, és tegye a biztonsági kulcstartóba.
- A kaparórúddal tisztítsa meg az adagolólapot. Lásd: *Az adagolólap tisztítása203. oldalon.*
- Minden egyes művelet után tisztítsa meg és kenje meg a fúrófejet. Lásd: *A fúrófejek tisztítása és kenése203. oldalon.*

## Karbantartás

### Bevezetés



**FIGYELMEZTETÉS:** Karbantartás előtt el kell olvasnia és meg kell értenie a biztonságról szóló fejezetet.

A gépen végzett minden szerviz- és javítási munkálat szakképzettséget igényel. Garantáljuk a professzionális javítások és szervizelés lehetőségét.

Részletesebb információért lásd: [www.husqvarna.com](http://www.husqvarna.com).

### Karbantartási terv

A karbantartási intervallumok meghatározásakor a termék napi használatát feltételeztük. Az intervallum változik, ha a terméket nem napi rendszerességgel használja.

A \* szimbólummal jelölt karbantartási műveletekkel kapcsolatban lásd: *Biztonsági eszközök a terméken197. oldalon.*

	Minden használat során	Havi	Évszakonként
Végezzen általános ellenőrzést.	X		
Ellenőrizze, hogy nem hibásak-e a termék biztonsági eszközei *.	X		
Vizsgálja meg a fúrót és az adagolólapot.	X		
Ellenőrizze a fúróműködtető kart *.	X		

	Minden használat során	Havi	Évszakonként
Ellenőrizze, hogy a start/stop gomb megfelelően működik-e, illetve nem sérült-e.	X		
Ellenőrizze, nem sérült-e az akkumulátor.	X		
Ellenőrizze az akkumulátor töltöttségét.	X		
Ellenőrizze, működnek-e az akkumulátor kioldógombjai, és megfelelően rögzül-e az akkumulátor a termékben.	X		
Tisztítsa meg a motor levegőbeömlő nyílásait. Ellenőrizze, hogy a levegőbeömlő nyílásokon nem rakódott-e le a fű vagy szennyeződés.	X		
Kenje meg a festetlen részeket.	X		
Kenje meg azokat a részeket, amelyekről a cinkbevonat lekopott.	X		
Tisztítsa és kenje meg a fűrőfejeket.	X		
Tisztítsa meg az adagolólapot.	X		
Ellenőrizze az akkumulátortöltő épségét; győződjön meg arról, hogy megfelelően működik-e.		X	
Ellenőrizze az akkumulátor és a termék közötti csatlakozásokat. Ellenőrizze az akkumulátor és az akkumulátortöltő közötti csatlakozásokat is.			X

## Az adagolólap tisztítása

- A kaparórúddal távolítsa el a földet, és tisztítsa meg az adagolólapot. (ábra 54)

## Az adagolólap cseréje

1. Döntse meg előre a terméket, és óvatosan helyezze a földre.
2. Távolítsa el a két csavart (A) és az adagolólapot (B). (ábra 55)
3. Az új adagolólap beszereléséhez fordított sorrendben végezze el ezeket a lépéseket.

## A fűrő cseréje

1. Távolítsa el a fűvet és a szennyeződést a termékről.



**VIGYÁZAT:** Ügyeljen arra, hogy a beszerelés során ne kerüljön szennyeződés vagy egyéb nem kívánatos anyag a fűrőre.

**Megjegyzés:** Minden használat után tisztítsa és kenje meg a fűrő házat.

2. Távolítsa el a rövid csavart (A) és a fűrőfejet (B) a nyélről (C). (ábra 56)

**Megjegyzés:** A fűrő cseréjéhez 6 mm-es imbuszkulcsra van szükség.

3. Távolítsa el a hosszú csavart (D) és a fűrőt (E) a fűrőfejről.
4. Tegyen új fűrőt a fűrőfejbe, és szerelje be a hosszú csavart.
5. Szerelje fel a fűrőfejet a nyélre.
6. Húzza meg a csavarokat.

## A fűrőfejek tisztítása és kenése

Minden egyes művelet után teljesen tisztítsa meg a fűrőfejet.

1. Döntse meg előre a terméket, és óvatosan helyezze a földre.
2. Puha kefével távolítsa el a fűvet, a szennyeződések és a nem kívánt anyagokat.
3. Használjon sűrített levegőt a kisebb fű- és porrészecskék eltávolításához.
4. Távolítsa el a csavarokat (A) a fűrőfejről (B), és távolítsa el a fűrőt (C). (ábra 56)
5. Lazítsa meg a 2 csavart (D), és távolítsa el az adagolólapot (E). (ábra 57)
6. Távolítsa el a csavart (F), és vegye le a fűrőfejet (G) a tengelyről (H). (ábra 58)
7. A termék tisztításához használjon sűrített levegőt. Ügyeljen arra, hogy minden szennyeződést, fűvet és egyéb nem kívánt anyagot eltávolítson.
8. Szükség esetén távolítsa el a szennyezett zsírt egy megfelelő oldószerrel.
9. Egy megfelelő oldószerrel tisztítsa meg az összes alkatrészt, majd kenje meg azokat.

10. A tengelyt vízálló zsírral kenje meg. (ábra 59)

## Az akkumulátor és az akkumulátortöltő tisztítása



**FIGYELMEZTETÉS:** Soha ne tisztítsa vízzel az akkumulátort vagy az akkumulátortöltőt.



**FIGYELMEZTETÉS:** Az akkumulátor tisztításához ne használjon vegyi anyagokat.

- Mielőtt az akkumulátort a töltőkészülékbe helyezné, győződjön meg róla, hogy az akkumulátor és az akkumulátortöltő tiszta és száraz-e.
- Az akkumulátorsaruk tisztítását sűrített levegővel vagy egy puha és száraz ruhával végezze.
- Az akkumulátor és a töltőkészülék felületének tisztítását puha és száraz ruhával végezze.

## Hibaelhárítás

### Hibaelhárítás

Ha a jelen kézikönyvben nem talál megoldást a problémájára, forduljon a Husqvarna szervizműhelyhez.

Probléma	Ok
A motor nem indul.	Az akkumulátor nincs feltöltve.
	Az akkumulátor nem megfelelően van beszerelve.
	Meghibásodott az akkumulátor.
	A vezérlőpanel meghibásodott.
A fűrő nem forog.	Az ékszíj elhasználódott.
	Az ékszíj lecsúszott a görgőkről.
	A kar nem feszíti meg megfelelően a szíjat.
A fűrő tovább forog, miután a fűrőműködtető kart elengedi.	A fűrőműködtető kar huzala kopott vagy sérült.
A termék nem működik megfelelően.	A fűrő kopott vagy sérült.
	A fűrő nincs megfelelően beszerelve.
A termék a kerékajtás-kapcsoló kar előre tolásakor nem mozdul meg.	A kerékajtás-kapcsoló kar vezetéke kopott vagy sérült.
	Az ékszíjak elkoptak.
	A lánc elszakadt vagy nem megfelelő feszességű.
	A hajtóműben található tengelykapcsoló tárcsák elkoptak.
A fűrőfejet nem lehet eltávolítani.	A készülékbe nem kívánt anyagok jutottak.
	A rendszer elrozsdásodott.
A földre helyezett kábel szigetelése sérült.	A kábelkivezető nyílás megsérült az adagolólapon.
	Az adagolólap részét képező cső, amelyben a kábel fut, bekoszolódott.

## Akkumulátor

LED az akkumulátoron	Ok	Megoldás
A zöld LED villog.	Az akkumulátor feszültsége alacsony.	Töltse fel az akkumulátort. Lásd: <i>Az akkumulátor töltése200. oldal</i> .
Villog a hibajelző LED.	Az akkumulátor töltöttségi szintje alacsony.	Töltse fel az akkumulátort. Lásd: <i>Akkumulátor205. oldal</i> .
	A munkakörnyezet hőmérséklete túl magas vagy túl alacsony.	Az akkumulátort -10 °C és 40 °C közötti hőmérsékleten használja.
	Túlfeszültség.	Győződjön meg róla, hogy a hálózati feszültség megegyezik-e a termék adattábláján szereplő feszültségértékkel.  Vegye ki az akkumulátort a töltőből. Várjon 5 másodpercet, majd próbálja újra feltölteni az akkumulátort. Ha a probléma továbbra is fennáll, lépjen kapcsolatba egy hivatalos szakszervizzel.
A hibajelző LED világít.	Túl nagy a cellák közötti különbség (1 V).	Forduljon egy hivatalos szakszervizhez.

## Akkumulátortöltő

LED az akkumulátortöltőn	Ok	Megoldás
Villog a hibajelző LED.	A munkakörnyezet hőmérséklete túl magas vagy túl alacsony.	Az akkumulátortöltőt 5 °C és 40 °C közötti hőmérsékleten használja.
A hibajelző LED világít.		Forduljon egy hivatalos szakszervizhez.

## Vezérlőpanel

Hibakód (villanások száma)	Lehetséges hibák	Lehetséges eljárás
5	A motor fordulatszáma túlságosan lecsökken, majd a motor leáll.	Tisztítsa meg a fűrófejet, és csökkentse a kábfelfektetési mélységet. Lásd: <i>A fűrófejek tisztítása és kenése203. oldal</i> és <i>A kábfelfektetési mélység beállítása201. oldal</i> . Ha a hiba továbbra is fennáll, lépjen kapcsolatba hivatalos szervizműhelyével.
8	Az akkumulátor töltöttségi szintje alacsony.	Töltse fel az akkumulátort. Lásd: <i>Az akkumulátor töltése200. oldal</i> .
9	Akkumulátorhiba, vagy nincs jel az akkumulátortól.	Helyezze be megfelelően az akkumulátort, és ellenőrizze az akkumulátorcsatlakozót. Ha az akkumulátoron lévő hibajelző LED villog, lásd: <i>Akkumulátor205. oldal</i> .
10	A motor vezérlése túl forró.	Állítsa le a motort, és várjon, amíg lehül.

Hibakód (villanások száma)	Lehetséges hibák	Lehetséges eljárás
Egyéb hibák	Egyéb hibák esetén távolítsa el a biztonsági kulcsot és az akkumulátort, és forduljon egy hivatalos szervizműhelyhez.	

## Szállítás, tárolás és ártalmatlanítás

### Bevezető



**FIGYELMEZTETÉS:** A szállítás közbeni véletlen beindítás elkerülése érdekében húzza fel a biztonsági kulcsot, vegye ki az akkumulátort és várjon legalább 5 másodpercet.

### Szállítás

- A mellékelt lítium-ion akkumulátorokra a veszélyes anyagokra vonatkozó jogszabályok követelményei érvényesek.
- Kereskedelmi szállításkor kell tartani a csomagoláson és címkéken szereplő speciális előírásokat.
- Ügyeljen rá, hogy betartsa a veszélyes anyagokra vonatkozó jogszabályokat a termék szállításra való előkészítésekor. Az esetleges helyi jogszabályokat is be kell tartani.
- Szállításhoz mindig vegye ki az akkumulátort.
- Tegyen ragasztószalagot az akkumulátor csatlakozóira, és gondoskodjon róla, hogy az akkumulátor ne mozdulhasson el a szállítás során.
- Szállításkor rögzítse a terméket.

### Tárolás

- Tárolás előtt hagyja lehűlni a terméket.
- Tároláshoz mindig vegye ki az akkumulátort.
- A baleset megelőzése érdekében tároláskor az akkumulátor ne csatlakozzon a termékhez.
- Az akkumulátortöltőt zárt, száraz helyen tárolja.
- Az akkumulátort és az akkumulátortöltőt száraz helyen tárolja, ahol nem alakul ki nedvesség vagy fagy.
- A tárolás során csatlakoztassa le az akkumulátort az akkumulátortöltőtől.
- Ne tartsa az akkumulátort olyan helyen, ahol elektrosztatikus töltés lehet jelen. Ne tartsa az akkumulátort fém dobozban.

- A terméket olyan helyen tárolja, ahol a környezeti hőmérséklet  $-10\text{ °C}$  és  $40\text{ °C}$  között van.
- Olyan helyen tárolja az akkumulátort, ahol a környezeti hőmérséklet mindig  $5\text{ °C}$  és  $25\text{ °C}$  közé esik, és védve van a napfénytől.
- Olyan helyen tárolja az akkumulátortöltőt, ahol a környezeti hőmérséklet mindig  $5\text{ °C}$  és  $45\text{ °C}$  közé esik, és védve van a napfénytől.
- A hosszú ideig való tárolás előtt győződjön meg róla, hogy az akkumulátor legalább 30–50%-os töltöttségű.
- Tartsa a terméket, az akkumulátort és az akkumulátortöltőt gyermekektől és jogosulatlan személyektől elzárt területen.
- Tisztítsa meg a terméket.
- Végezze el a jelen kezelői kézikönyvben megadott karbantartási eljárásokat. Lásd: *Karbantartási terv202. oldalon.*
- A termék hosszú ideig való tárolása előtt végezze el annak teljes karbantartását.

### Hulladékként való kezelés

A terméken vagy a csomagolásán található szimbólum azt jelzi, hogy ezt a terméket nem szabad a háztartási hulladék közé helyezni. A megfelelő újrafeldolgozó pontra el kell juttatni az elektromos és elektronikus berendezések hasznosítása érdekében.

A termék megfelelő kezelésének biztosításával segíthet kiküszöbölni azokat a környezetre és az emberre gyakorolt potenciális negatív hatásokat, amelyeket a termék helytelen hulladékkezelése okozhat. A termék újrahasznosításával kapcsolatban az önkormányzat, a hulladékártalmatlanítási szolgáltatást végző vállalkozás, illetve a terméket értékesítő szakkereskedés nyújthat részletesebb tájékoztatást.

(ábra 60)

## Műszaki adatok

Fűrómotor

Motor típus	BLDC (kefe nélküli) 36 V
Motor fordulatszáma – névleges, ford./perc	3000/min
Motor fordulatszáma – nagy terhelés, ford./perc	3300/min
Motor teljesítménye – maximum, kW	1,8
Motor teljesítménye – névleges, kW	1,2
Hajtómű	Mechanikus hajtómű olajba merített fogaske-rekekkel
Tengelykapcsoló	Szj típusú, görgőkkel
<b>Tömeg</b>	
Tömeg akkumulátor nélkül, kg	39
Tömeg, beleértve 2 db BLi300 akkumulátort, kg	43
<b>Akkumulátor</b>	
Akkumulátor típusa	Husqvarna akkumulátorsorozat
<b>Akkumulátor üzemideje</b>	
Akkumulátor üzemideje, perc <sup>45</sup>	38
<b>Zajkibocsátás <sup>46</sup></b>	
Mért hangteljesítményszint, L <sub>WA</sub> dB (A)	84
Hangteljesítményszint, garantált, L <sub>WA</sub> dB (A)	86
<b>Zajszintek <sup>47</sup></b>	
Hangnyomásszint a felhasználó fülénél, dB (A)	66
<b>Rezgésszintek <sup>48</sup></b>	
Fogantyú, m/s <sup>2</sup>	1,8
<b>Kábelfektető berendezés</b>	
Kábelfektetési mélység, cm	1-6
Távolság a fűrő és a kerék széle között, mm	250, 270, 290, 310
Fűrő	597 04 84-01

Jóváhagyott akkumulátorok	Márka	Típus	Akkumulátor kapacitása, Ah	Feszültség, V	Tömeg, font/kg
BLi300	Husqvarna	Lítium-ion	9,4	36	4,1/1,9

<sup>45</sup> Üresjárat, aktivált standard üzemmóddal és 1 db Husqvarna 9,4 Ah-ás akkumulátorral (BLi300) mérve.

<sup>46</sup> A környezetben a 2000/14/EK sz. EK irányelvvel összhangban hangteljesítményként mért zajkibocsátás (L<sub>WA</sub>).

<sup>47</sup> A zajnyomásszintre vonatkozó jelentési adatok az 1,2 dB (A) tipikus statisztikus ingadozásával (szórásával) rendelkeznek.

<sup>48</sup> A rezgésszintre vonatkozó jelentési adatok a 0,2 m/s<sup>2</sup> tipikus statisztikus ingadozásával (szórásával) rendelkeznek. EN 1032+A1:2009. rezgésszabvány

<b>A megadott akkumulátorokhoz jávahagyott töltők, BLi</b>	<b>Márka</b>	<b>Bemeneti feszültség, V</b>	<b>Frekvencia, Hz</b>	<b>Teljesítmény, W</b>
QC500	Husqvarna	100–240	50–60	500



# Megfelelőségi nyilatkozat

## EU megfelelési nyilatkozat

A **Husqvarna AB**, SE-561 82 Huskvarna, Sweden (tel.: +46-36-146500), a saját felelősségére kijelenti, hogy a termék:

<b>Leírás</b>	Kábelfektető
<b>Márka</b>	Husqvarna
<b>Típus/modell</b>	CL400i
<b>Megjelölés</b>	2022-as és újabb sorozatszámok

teljes mértékben megfelelnek a következő EU-irányelveknek és szabályozásoknak:

<b>Szabályozás</b>	<b>Leírás</b>
2006/42/EK	„gépre vonatkozó”
2014/30/EU	„elektromágneses megfelelésre vonatkozó”
2011/65/EU	„az egyes veszélyes anyagok elektromos és elektronikus berendezésekben való alkalmazásának korlátozására vonatkozó”

valamint hogy az alábbi szabványok és/vagy műszaki előírások kerültek alkalmazásra: EN ISO 12100:2010, EN ISO 14119:2013, EN ISO 14120:2015, EN ISO 13857:2019, EN 62841-1:2015+AC:2015, EN ISO 11202:2010, EN 1032:2009, EN 55014-1:2017, EN 55014-2:2015, EN 63000:2018.

A zajkibocsátásra vonatkozó tájékoztatást illetően tekintse át a következőt: *Műszaki adatok 206. oldalon.*

Huskvarna, 2022-03-21



Claes Losdal, Fejlesztési Igazgató/Kertművelési termékek, Husqvarna AB

A műszaki dokumentációk felelőse



---

## Sommario

---

Introduzione.....	210	Ricerca guasti.....	221
Sicurezza.....	211	Trasporto, stoccaggio e smaltimento.....	223
Montaggio.....	216	Dati tecnici.....	223
Utilizzo.....	216	Dichiarazione di conformità.....	226
Manutenzione.....	219		

---

## Introduzione

---

### Descrizione del prodotto

Il prodotto è una macchina posacavi con operatore a piedi.

### Panoramica del prodotto

(Fig. 1)

1. Impugnatura per il funzionamento della lama
2. Impugnatura per inclinare il manubrio
3. Impugnatura di comando
4. Contatore
5. Avvolgicavo
6. Aletta di avvolgimento
7. Trapano
8. Pannello di comando
9. Chiave di sicurezza
10. Batteria (accessorio)
11. Caricabatterie (accessorio)
12. Manuale operatore

### Simboli riportati sul prodotto

(Fig. 2) AVVERTENZA

(Fig. 3) Avvertenza: Parti rotanti. Tenere a distanza mani e piedi.

(Fig. 4) Prestare attenzione a oggetti lanciati o rimbalzati.

(Fig. 5) Leggere le istruzioni.

(Fig. 6) Mantenere le persone e gli animali a una distanza di sicurezza dalla zona di lavoro.

(Fig. 7) Rischio di lesioni agli occhi per i presenti.

(Fig. 8) Non esporre alla pioggia.

(Fig. 9) Utilizzare una visiera protettiva.

(Fig. 10) Modalità standby (pulsante nero).

### Uso previsto

Utilizzare il prodotto per interrare il cavo perimetrale e il cavo guida di robot rasaerba. Non utilizzare il prodotto per altre attività.

(Fig. 10) Avvio e arresto del motore (pulsante rosso).

(Fig. 11) Il prodotto o l'imballaggio del prodotto non è un rifiuto domestico. Riciclarlo in una stazione di riciclaggio per apparecchiature elettriche ed elettroniche.

(Fig. 12) Il prodotto è conforme alle direttive CE vigenti.

(Fig. 13) Il presente prodotto è conforme alle direttive del Regno Unito vigenti.

(Fig. 14) Emissioni di rumore nell'ambiente in conformità alle direttive e alle norme UE e UK e alla norma del Nuovo Galles del Sud in materia di protezione dell'ambiente "Protection of the Environment Operations (Noise Control) Regulation 2017". Il livello di potenza sonora garantito del prodotto è specificato in *Dati tecnici alla pagina 223* nonché sull'etichetta.

(Fig. 15) Il prodotto è protetto da gocciolamento.

---

**Nota:** I restanti simboli/decalcomanie sul prodotto riguardano particolari requisiti necessari per ottenere la certificazione in alcuni mercati.

---

### Danni al prodotto

Non siamo responsabili dei danni al prodotto se:

- Il prodotto viene riparato in modo errato.
- Il prodotto viene riparato con parti che non provengono o non sono omologate dal produttore.
- Il prodotto contiene un accessorio che non proviene o non è omologato dal produttore.

- Il prodotto non viene riparato presso un centro di assistenza autorizzato o presso un'autorità competente.

---

## Sicurezza

---

### Definizioni di sicurezza

Le avvertenze, le precauzioni e le note sono utilizzate per evidenziare le parti importanti del manuale.



**AVVERTENZA:** Utilizzato se è presente un rischio di lesioni o morte dell'operatore o di passanti nel caso in cui le istruzioni del manuale non vengano rispettate.



**ATTENZIONE:** Utilizzato se è presente un rischio di danni al prodotto, ad altri materiali oppure alla zona adiacente nel caso in cui le istruzioni del manuale non vengano rispettate.

**Nota:** Utilizzato per fornire ulteriori informazioni necessarie in una determinata situazione.

### Avvertenze generali di sicurezza sul prodotto



**AVVERTENZA:** Leggere tutte le specifiche, illustrazioni, istruzioni e avvertenze di sicurezza fornite con questo prodotto. La mancata osservanza di tutte le istruzioni elencate di seguito può dare luogo a scosse elettriche, incendi e/o gravi lesioni.

**Conservare tutte le avvertenze e le istruzioni per la futura consultazione.** Nelle avvertenze, il termine "prodotto" si riferisce al prodotto alimentato tramite rete elettrica (con cavo) o a batteria (senza fili).

### Sicurezza dell'area di lavoro

- **Tenere l'area di lavoro pulita e ben illuminata.** Il disordine e le aree di lavoro non illuminate possono essere causa di incidenti.
- **Non mettere in funzione il prodotto in ambienti esplosivi, quali quelli che comportano la presenza di liquidi infiammabili, gas o polvere.** Il prodotto genera scintille che possono incendiare polveri o fumi.
- **Evitare che bambini e altre persone si avvicinino mentre il prodotto è in funzione.** Le distrazioni possono causare la perdita del controllo.

### Sicurezza elettrica

- **Le spine del prodotto devono essere adatte alla presa. Evitare assolutamente di apportare modifiche alla spina. Non utilizzare adattatori con prodotti**

**dotati di messa a terra.** Le spine non modificate e le prese adatte allo scopo riducono il rischio di scosse elettriche.

- **Evitare il contatto con superfici messe a massa o collegate a terra, come condutture, radiatori, stufe e frigoriferi.** Sussiste un maggior rischio di scosse elettriche nel momento in cui il corpo è messo a massa.
- **Non esporre i prodotti a pioggia o umidità.** L'ingresso di acqua nel prodotto aumenta il rischio di scosse elettriche.
- **Non rovinare il cavo elettrico. Non utilizzare mai il cavo per trasportare, tirare o staccare dalla presa il prodotto. Non avvicinare il cavo a fonti di calore, olio, spigoli taglienti e neppure a parti della macchina che siano in movimento.** I cavi danneggiati o attorcigliati fanno aumentare il rischio di scosse elettriche.
- **Qualora si utilizzi il prodotto all'aperto, servirsi di un cavo di prolunga adatto.** L'uso di un filo di prolunga omologato per l'impiego all'aperto riduce il rischio di scosse elettriche.
- **Se l'impiego del prodotto in ambienti umidi è inevitabile, utilizzare una fonte di alimentazione con interruttore differenziale (salvavita).** L'utilizzo del salvavita riduce il rischio di scosse elettriche.

### Sicurezza personale

- **Durante l'utilizzo del prodotto, prestare attenzione e utilizzare il buonsenso. Non utilizzare un prodotto quando si è stanchi o sotto l'effetto di droghe, alcol o farmaci.** Un momento di disattenzione può provocare lesioni personali gravi.
- **Usare sempre abbigliamento protettivo personale. Indossare sempre una protezione per gli occhi.** L'uso in condizioni adeguate dell'abbigliamento protettivo (come mascherina protettiva, calzature di sicurezza antiscivolo, elmetto o cuffie protettive) riduce le lesioni personali.
- **Prevenire la messa in funzione accidentale. Assicurarsi che l'interruttore sia in posizione OFF prima di effettuare il collegamento alla fonte di alimentazione e/o al pacco batterie, o di sollevare o trasportare il prodotto.** Trasportare il prodotto tenendo le dita sull'interruttore oppure accendere prodotti con l'interruttore acceso, può provocare incidenti.
- **Rimuovere eventuali chiavi o strumenti di regolazione prima di accendere il prodotto.** Una chiave o altro attrezzo rimasto attaccato a parti rotanti del prodotto può provocare lesioni personali.
- **Operare in sicurezza. Operare sempre facendo attenzione a posizionare bene i piedi e a mantenere l'equilibrio.** In questo modo è possibile ottenere

un migliore controllo del prodotto in situazioni impreviste.

- **Vestirsi in maniera adeguata. Non indossare abiti troppo ampi o gioielli. Tenere capelli e indumenti lontani dalle parti in movimento.** Lasciati liberi, indumenti, gioielli o capelli lunghi possono restare impigliati nelle parti in movimento.
- **Qualora vengano forniti strumenti per il collegamento a strutture di estrazione e raccolta della polvere, accertarsi che queste siano collegate e usate in modo adeguato.** La raccolta della polvere può ridurre i rischi legati alla presenza di questo agente.
- **La familiarità e l'esperienza acquisite a seguito dell'uso frequente del prodotto non devono essere motivo di distrazione nell'utilizzo dello stesso. Non ignorare i principi di sicurezza del prodotto.** Un'azione incauta può provocare gravi danni in una frazione di secondo.

## Cura e utilizzo del prodotto

- **Non esercitare forza sul prodotto. Utilizzare il prodotto adatto all'applicazione.** Il prodotto corretto svolgerà il lavoro al meglio e in modo più sicuro se utilizzato alla velocità per la quale è stato progettato.
- **Non utilizzare il prodotto se non è possibile accenderlo o spegnerlo tramite interruttore.** Nel caso in cui il prodotto non possa essere controllato tramite interruttore è una situazione di pericolo e, pertanto, è necessario ripararlo.
- **Scollegare la spina dalla fonte di alimentazione e/o rimuovere dal prodotto il pacco batterie, se staccabile, prima di procedere a eventuali regolazioni, sostituzioni di accessori o alla conservazione dei prodotti.** Tali misure di sicurezza preventive riducono il rischio di avvio accidentale del prodotto.
- **Riporre i prodotti quando spenti fuori dalla portata dei bambini e non consentirne l'utilizzo a persone che non hanno familiarità con tali prodotti e con queste istruzioni.** Se utilizzati da persone non preparate, tali prodotti sono pericolosi.
- **Effettuare la manutenzione del prodotto e degli accessori. Verificare l'eventuale presenza di un allineamento non corretto o inceppamento delle parti in movimento, la rottura di pezzi o altra condizione che possa compromettere il funzionamento del prodotto. Qualora danneggiato, riparare il prodotto prima dell'uso.** Numerosi incidenti sono provocati da prodotti sottoposti a manutenzione inadeguata.
- **Mantenere affilati e puliti gli strumenti da taglio.** Con una manutenzione adeguata, gli strumenti da taglio con bordi affilati risultano più facili da controllare e meno pericolosi.
- **Utilizzare il prodotto, gli accessori, le punte ecc. come indicato nelle presenti istruzioni, tenendo conto delle condizioni di lavoro e della prestazione da effettuare.** L'utilizzo del prodotto per usi diversi da quelli previsti può provocare situazioni di pericolo.
- **Mantenere le impugnature e le superfici di presa asciutte, pulite e prive di olio e grasso. Le**

impugnature e le superfici di presa scivolose non consentono una manipolazione e un controllo sicuri del prodotto in situazioni impreviste.

## Servizio

- **Fare riparare il prodotto da personale specializzato utilizzando esclusivamente pezzi di ricambio originali.** Ciò consente di mantenere il prodotto in perfette condizioni di sicurezza.
- **Non riparare mai le batterie danneggiate.** Gli interventi di manutenzione sul pacco batterie devono essere eseguiti esclusivamente dal produttore o da centri assistenza autorizzati.

## Utilizzo e manutenzione della batteria

- **Ricaricare l'attrezzo esclusivamente utilizzando il caricabatterie specificato dal produttore.** L'utilizzo di un caricabatterie indicato per un altro tipo di batteria potrebbe provocare rischio di incendio.
- **Utilizzare i prodotti esclusivamente con le batterie specificate.** L'utilizzo di altri pacchi batteria potrebbe provocare lesioni e incendi.
- **Se la batteria non viene utilizzata, tenerla lontana da altri oggetti metallici, come graffette, monete, chiavi, chiodi, viti o altri piccoli oggetti metallici che potrebbero consentire il collegamento tra i terminali.** Provocare il cortocircuito dei terminali della batteria potrebbe causare ustioni o provocare un incendio.
- **In condizioni non ottimali, la batteria potrebbe perdere liquido; evitare il contatto. Qualora il contatto avvenisse, sciacquare la parte con acqua. Se il liquido entra negli occhi, chiamare immediatamente un medico.** Il liquido fuoriuscito dalla batteria potrebbe causare irritazioni o ustioni.
- **Non usare batterie o utensili danneggiati o modificati.** Batterie danneggiate o modificate possono manifestare un comportamento imprevedibile, con rischio di incendi, esplosioni e lesioni.
- **Non esporre batterie o utensili al fuoco o a temperature elevate.** L'esposizione al fuoco o una temperatura superiore a 130 °C (265 °F) può provocare esplosioni.
- **Seguire tutte le istruzioni per il caricamento della batteria e non caricare la batteria o l'utensile al di fuori dell'intervallo di temperatura indicato nelle istruzioni.** Ricaricare in modo inappropriato o a temperature che non rientrano nell'intervallo specificato può danneggiare la batteria e aumentare il rischio di incendio.

## Istruzioni di sicurezza generali



**AVVERTENZA:** Leggere le seguenti avvertenze prima di utilizzare il prodotto.

- Questo prodotto è pericoloso se utilizzato in maniera impropria o se non si presta attenzione. La mancata

- osservanza delle istruzioni di sicurezza può causare lesioni anche fatali.
- Durante il funzionamento, questo prodotto genera un campo elettromagnetico. Tale campo può interferire, in alcuni casi, con persone portatrici di impianti medici attivi o passivi. Per ridurre il rischio di condizioni che possono implicare lesioni gravi o mortali, i portatori di tali impianti devono consultare il proprio medico e il produttore dell'impianto prima di utilizzare questo prodotto.
  - Usare la massima cautela e il buon senso. Se non si è sicuri di come utilizzare il prodotto in una particolare situazione, fermarsi e rivolgersi al proprio rivenditore Husqvarna prima di continuare.
  - Tenere presente che l'operatore potrà essere ritenuto responsabile di eventuali incidenti che coinvolgano altre persone o i loro beni.
  - Tenere pulito il prodotto. Assicurarsi che sia possibile leggere chiaramente simboli e decalcomanie.
  - Non consentire mai l'uso dell'apparecchio a bambini o persone che non conoscono le presenti istruzioni. Alcune normative locali possono limitare l'età dell'operatore.
  - Controllare sempre qualsiasi persona, dalle capacità fisiche o mentali ridotte, che utilizzi il prodotto. È necessaria sempre la supervisione di un adulto responsabile.
  - Non utilizzare il prodotto quando si è stanchi, ammalati o sotto effetto di alcool, farmaci o medicinali. Essi potrebbero compromettere la vista, l'attenzione, il coordinamento e il giudizio.
  - Non utilizzare il prodotto se danneggiato o se non funziona correttamente.
  - Non modificare il prodotto né utilizzarlo nel caso in cui vi sia la possibilità che sia stato modificato da altri.
  - Rimuovere oggetti quali rami, ramoscelli o pietre dall'area di lavoro prima di utilizzare il prodotto.
  - Gli oggetti che urtano l'attrezzatura per la posa di cavi possono essere scagliati con violenza e causare danni a cose e persone. Mantenere persone e animali a una distanza di sicurezza dal prodotto.
  - Non utilizzare mai il prodotto in condizioni meteorologiche avverse quali nebbia, pioggia, vento forte, freddo intenso e rischio di fulmini. L'uso del prodotto in condizioni meteorologiche avverse o in ambienti umidi è stancante. Condizioni meteorologiche avverse possono causare situazioni di pericolo quali superfici scivolose.
  - Prestare attenzione a persone, cose e situazioni che possono impedire un utilizzo sicuro del prodotto.
  - Prestare attenzione a ostacoli quali radici, pietre, ramoscelli, fossi e avvallamenti. L'erba alta può nascondere eventuali ostacoli.
  - Non utilizzare il prodotto su terreni con pendenze superiori a 15°.
  - Procedere con estrema cautela quando si cambia direzione in pendenza. Utilizzare il prodotto trasversalmente lungo i pendii. Non spostarsi seguendo tragitti verso l'alto e verso il basso.
  - Prestare attenzione in prossimità di angoli e oggetti nascosti che potrebbero ostacolare la visuale.
  - Assicurarsi che la lama non urti oggetti come pietre e radici. Ciò può provocare danni alla lama e piegare l'albero motore. Un albero motore piegato provoca forti vibrazioni e un alto rischio di allentamento della lama.
  - Se la lama urta un oggetto o all'insorgere di vibrazioni, arrestare immediatamente il prodotto. Arrestare il motore, tirare verso l'alto la chiave di sicurezza e rimuovere la batteria. Attendere l'arresto delle parti mobili. Verificare la presenza di eventuali danni al prodotto. Serrare le parti allentate. Riparare e sostituire le parti danneggiate. Affidare la riparazione a una officina autorizzata.

## Sicurezza sul lavoro



**AVVERTENZA:** Leggere le seguenti avvertenze prima di utilizzare il prodotto.

- Utilizzare il prodotto per interrare il cavo perimetrale e il cavo guida di robot rasaerba. Non utilizzare il prodotto per altre attività.
- Usare sempre abbigliamento protettivo personale. Fare riferimento a *Dispositivi di protezione individuale alla pagina 214*.
- Assicurarsi di saper spegnere il motore rapidamente in caso di emergenza.
- Non utilizzare il prodotto con pioggia o umidità. Il rischio di scosse elettriche aumenta se l'acqua penetra nel prodotto.
- Azionare il prodotto solo dopo aver montato correttamente la lama e tutti i coperchi. Una lama non fissata correttamente potrebbe allentarsi e causare lesioni.
- Non agganciare l'impugnatura per il funzionamento della lama in modo permanente all'impugnatura quando il motore è avviato.
- Posizionare il prodotto su una superficie piana e stabile e avviarlo.
- Collocarsi sempre posteriormente al prodotto quando lo si utilizza.
- Consentire a tutte le ruote di restare a contatto con il suolo e tenere le 2 mani sull'impugnatura mentre si aziona il prodotto.
- Tenere mani e piedi lontani dalla lama rotante.
- Non inclinare il prodotto quando si avvia il motore o durante il funzionamento del prodotto.
- Prestare attenzione quando si tira il prodotto verso di sé.
- Non sollevare il prodotto quando il motore è avviato. Se è necessario sollevare il prodotto, arrestare prima di tutto il motore, poi tirare verso l'alto la chiave di sicurezza e rimuovere la batteria.

- Non camminare all'indietro quando si utilizza il prodotto.
- Rilasciare l'impugnatura per il funzionamento della lama per arrestare la lama quando è necessario inclinare il prodotto per il trasporto.
- Non correre con il prodotto quando il motore è acceso. Camminare sempre durante l'utilizzo del prodotto.
- Arrestare il motore prima di modificare la profondità di posa dei cavi. Non effettuare regolazioni quando il motore è avviato.
- Non perdere di vista il prodotto quando il motore è avviato. Arrestare il motore e assicurarsi che la lama non giri.
- Le vibrazioni nel prodotto durante il funzionamento possono essere diverse dal valore delle vibrazioni dichiarato in *Dati tecnici alla pagina 223*. La differenza è causata da variazioni del modo in cui viene utilizzato il prodotto. Se utilizzate il prodotto frequentemente o per lunghi periodi di tempo, fate regolarmente delle pause per evitare lesioni dovute alle vibrazioni.

## Istruzioni di sicurezza per l'uso

Leggere le seguenti avvertenze prima di utilizzare il prodotto.

- Accertarsi che il cavo sulla guida posacavi sia intatto.
  - Accertarsi che il tubo nell'aletta di avanzamento sia intatto. Sostituire il tubo se usurato o danneggiato.
- (Fig. 16)
- Accertarsi che il bordo intorno al foro non sia tagliente o danneggiato. Sostituire la guida posacavi se danneggiata.
  - Accertarsi che tutte le viti siano serrate.
  - Accertarsi che tutte le leve siano in posizione folle.

## Dispositivi di protezione individuale



**AVVERTENZA:** Leggere le seguenti avvertenze prima di utilizzare il prodotto.

- L'uso di abbigliamento protettivo personale non elimina il rischio di lesioni, ma ne riduce la gravità in caso di incidente. Farsi consigliare dal rivenditore per la scelta dell'attrezzatura adatta.
- Utilizzare robusti stivali o scarpe antiscivolo. Non utilizzare il prodotto con calzature aperte o a piedi nudi.
- Utilizzare pantaloni lunghi di tessuto pesante.
- Indossare guanti protettivi ove necessario, ad esempio per montare, ispezionare o pulire l'attrezzatura per la posa di cavi.
- Si consiglia di utilizzare cuffie protettive.

## Dispositivi di sicurezza sul prodotto



**AVVERTENZA:** Leggere le seguenti avvertenze prima di utilizzare il prodotto.

- Non utilizzare un prodotto usando dispositivi di sicurezza danneggiati o che non funzionano correttamente.
- Non rimuovere o apportare modifiche ai dispositivi di sicurezza.
- Effettuare regolarmente un controllo dei dispositivi di sicurezza. Se i dispositivi di sicurezza sono danneggiati o non funzionano correttamente, rivolgersi al centro di assistenza Husqvarna.

## Chiave di sicurezza

La chiave di sicurezza si trova sotto il coperchio della batteria. La chiave di sicurezza si collega alla batteria che alimenta il motore.

## Controllo della chiave di sicurezza

La chiave di sicurezza si collega alla batteria che alimenta il motore.

- Avviare e arrestare il motore. Se la chiave di sicurezza funziona correttamente, il motore può avviarsi solo quando la chiave si trova nel blocco di sicurezza.

## Impugnatura per il funzionamento della lama

L'impugnatura per il funzionamento della lama consente di arrestare la lama. Quando si rilascia l'impugnatura per il funzionamento della lama, quest'ultima si arresta.

Per controllare l'impugnatura per il funzionamento della lama, avviare il motore, quindi rilasciare l'impugnatura per il funzionamento della lama. Se la lama non si arresta entro 3 secondi, rivolgersi a un'officina autorizzata Husqvarna.

(Fig. 17)

## Sicurezza batterie



**AVVERTENZA:** Leggere le seguenti avvertenze prima di utilizzare il prodotto.

- Utilizzare le batterie ricaricabili Husqvarna come alimentazione per i soli prodotti Husqvarna in questione. Per evitare il rischio di lesioni, non utilizzare la batteria come fonte di alimentazione per altri dispositivi.
- Non utilizzare batterie non ricaricabili.
- Rischio di scosse elettriche. Non collegare i morsetti della batteria a chiavi, monete, viti o altro tipo di metallo. Ciò può causare un corto circuito della batteria.
- Non inserire oggetti nelle feritoie di aerazione della batteria.

- Tenere la batteria lontano dalla luce del sole, dal calore o da fiamme libere. La batteria può esplodere e causare bruciature e/o ustioni chimiche.
- Tenere la batteria lontano da pioggia e umidità.
- Tenere la batteria lontano da microonde e alta pressione.
- Non tentare di smontare o rompere la batteria.
- In caso di perdite dalla batteria, non lasciare che il liquido entri in contatto con il corpo o con gli occhi. In caso di contatto con il liquido, pulire l'area con grandi quantità di acqua e consultare un medico.
- Utilizzare la batteria nel prodotto esclusivamente quando la temperatura ambiente è compresa tra 5 °C e 40 °C.
- Utilizzare il caricabatterie esclusivamente quando la temperatura ambiente è compresa tra 5 °C e 40 °C.
- La batteria non si carica se la sua temperatura è superiore a 50 °C.
- Non pulire la batteria o il caricabatterie con acqua. Fare riferimento a *Per pulire la batteria e il caricabatterie alla pagina 221*.
- Non utilizzare un prodotto danneggiato.
- Conservare le batterie lontano da oggetti metallici, come ad esempio chiodi, monete, gioielli.

## Sicurezza del caricabatterie



**AVVERTENZA:** Leggere le seguenti avvertenze prima di utilizzare il prodotto.

- Utilizzare i caricabatterie QC per caricare esclusivamente le batterie di ricambio Husqvarna.
- Rischio di scosse elettriche o cortocircuiti. Non inserire oggetti nelle feritoie di aerazione del caricabatterie. Non tentare di smontare il caricabatterie. Non collegare i terminali del caricabatterie a oggetti metallici. Utilizzare una presa di rete omologata.
- Durante il funzionamento, questo prodotto genera un campo elettromagnetico. Tale campo può interferire, in alcuni casi, con persone portatrici di impianti medici attivi o passivi. Per ridurre il rischio di condizioni che possono implicare lesioni personali gravi o mortali, i portatori di tali impianti devono consultare il proprio medico e il produttore dell'impianto prima di utilizzare questo prodotto.
- Verificare regolarmente che il cavo di alimentazione del caricabatterie non sia danneggiato e che non vi siano crepe.
- Non sollevare il caricabatterie tramite il cavo di alimentazione. Per scollegare il caricabatterie da una presa di rete, tirare la spina. Non tirare il cavo di alimentazione.
- Tenere il cavo di alimentazione e le prolunghe lontani da acqua, olio e bordi appuntiti. Fare attenzione affinché il cavo non si incastri in porte,

ostacoli o simili. Questo potrebbe causare scosse elettriche al contatto con il caricabatterie.

- Non pulire il caricabatterie con acqua.
- Il caricabatterie può essere utilizzato da bambini a partire da 8 anni di età e da parte di persone con ridotte capacità fisiche, sensoriali o mentali, oppure con mancanza di esperienza e conoscenza, se vengono controllati o ricevono istruzioni sull'utilizzo sicuro del caricabatterie e se comprendono i rischi. I bambini non devono giocare con il caricabatterie. La pulizia e la manutenzione non devono essere eseguite da bambini senza la supervisione di adulti.
- Non caricare batterie non ricaricabili nel caricabatterie.
- Non utilizzare il caricabatterie in prossimità di materiali infiammabili o materiali corrosivi. Non coprire il caricabatterie. Staccare la spina del caricabatterie in caso di fumo o incendio.
- Non utilizzare un caricabatterie danneggiato.
- Caricare la batteria solo in luoghi chiusi, in una stanza con un buon flusso d'aria e lontano dalla luce del sole. Non caricare la batteria in condizioni di umidità.

## Istruzioni di sicurezza per la manutenzione



**AVVERTENZA:** Leggere le seguenti avvertenze prima di utilizzare il prodotto.

- Rimuovere la chiave di sicurezza prima di eseguire la manutenzione del prodotto.
- Eseguire gli interventi di manutenzione correttamente in modo da aumentare la durata di vita del prodotto e ridurre il rischio di incidenti. Affidare le riparazioni professionali a un'officina autorizzata. Per ulteriori informazioni, rivolgersi all'officina più vicina.
- Eseguire esclusivamente gli interventi di manutenzione riportati nel presente manuale operatore.
- Utilizzare guanti per impieghi gravosi quando si tocca l'attrezzatura per la posa di cavi.
- Mantenere il prodotto pulito per prestazioni più sicure e ottimali.
- Far esaminare regolarmente il prodotto da un'officina per messe a punto e riparazioni necessarie.
- Sostituire le parti danneggiate, usurate o rotte.
- Rispettare le istruzioni per la sostituzione degli accessori. Utilizzare solo accessori del produttore.
- Quando non in uso, tenere il prodotto, la batteria e il caricabatterie lontano in un luogo all'interno, chiuso a chiave e asciutto. Assicurarsi che i bambini e le persone non autorizzate non abbiano accesso al prodotto, alla batteria o al caricabatterie.

---

# Montaggio

---

## Introduzione



**AVVERTENZA:** Leggere e comprendere il capitolo sulla sicurezza prima di montare il prodotto.

## Installazione della lama

1. Inserire la lama (A) nella testa della lama (B) e avvitare la vite lunga (C). (Fig. 18)

**Nota:** Per sostituire la lama è necessaria una chiave a brugola da 6 mm.

2. Installare la testa della lama sull'albero (D) con la vite corta (E).
3. Serrare le viti.

## Installazione del cavo

Il prodotto è dotato di un avvolgicavo a frizione che può essere rimosso.

1. Inserire il cavo nell'avvolgicavo. Utilizzare la manopola per ruotare l'avvolgicavo in senso orario.

**Nota:** È necessario installare il cavo in senso orario sull'avvolgicavo in modo che si srotoli facilmente durante il funzionamento. (Fig. 19)

2. Spingere il cavo nella sonda nell'aletta di avvolgimento (A) fino a quando non fuoriesce dalla parte inferiore (B) per circa 5 cm. (Fig. 20)

## Installazione e rimozione dell'avvolgicavo

1. Allentare la manopola (A). (Fig. 21)
2. Rimuovere il fermo (B).
3. Rimuovere l'avvolgicavo (C).
4. Installare l'avvolgicavo (D). Utilizzare l'adattatore se necessario. (Fig. 22)
5. Installare il fermo (E) e serrare la manopola (F).

---

# Utilizzo

---

## Introduzione



**AVVERTENZA:** Prima di utilizzare il prodotto, è necessario leggere e comprendere il capitolo relativo alla sicurezza.

## Husqvarna Fleet Services™

Husqvarna Fleet Services™ è una soluzione cloud che offre all'operatore una panoramica di tutti i prodotti connessi. È possibile installare un sensore Husqvarna Fleet Services™ su questo prodotto. Il sensore Husqvarna Fleet Services™ raccoglie i dati del prodotto e consente di connettersi al sistema Husqvarna Fleet Services™. Il sistema Husqvarna Fleet Services™ riporta dati quali il tempo di funzionamento, gli intervalli di manutenzione e la posizione del prodotto.

Per ulteriori informazioni su Husqvarna Fleet Services™, scaricare l'app Husqvarna Fleet Services™ o rivolgersi al proprio rappresentante Husqvarna.

## Preparazione del sensore (accessorio)

1. Utilizzare la chiave del sensore per aprire il coperchio del sensore. (Fig. 23)
2. Rimuovere il sensore.
3. Collegare la batteria al sensore. La spia LED del sensore si accende. (Fig. 24)
4. Scaricare l'app Husqvarna Fleet Services™.

5. Eseguire il login all'app Husqvarna Fleet Services™.
6. Abbinamento Fare riferimento a *Abbinamento dell'app al prodotto alla pagina 216*

## Abbinamento dell'app al prodotto

1. Eseguire il login all'app Husqvarna Fleet Services™.
2. Selezionare il prodotto nell'app.
3. Eseguire la scansione del codice dietro il sensore con il dispositivo mobile per installare il sensore nell'app.

**Nota:** È sufficiente eseguire una sola volta l'operazione di abbinamento dell'app al prodotto.

## Installazione del sensore

1. Accertarsi che il sensore sia collegato all'app Husqvarna Fleet Services™. Fare riferimento a *Abbinamento dell'app al prodotto alla pagina 216*.
2. Praticare 2 fori in corrispondenza dei contrassegni nell'alloggiamento. (Fig. 25)

**Nota:** Assicurarsi che i fori abbiano la stessa dimensione dei rivetti forniti con il sensore.

3. Utilizzare un paio di pinze per rimuovere i fori esterni dell'alloggiamento del sensore. (Fig. 26)
4. Praticare 2 fori in corrispondenza dei contrassegni presenti nell'alloggiamento del sensore. (Fig. 27)
5. Allineare il sensore all'alloggiamento. (Fig. 28)



6. Fissare l'alloggiamento del sensore con i rivetti.
7. Montare il sensore nel relativo alloggiamento. Allineare il contrassegno bianco sul sensore con quello sul relativo alloggiamento. (Fig. 29)
8. Chiudere il coperchio del sensore e bloccarlo con la relativa chiave. Assicurarsi che la parte superiore della "H" di Husqvarna sia rivolta verso l'esterno rispetto alla chiave di sicurezza. (Fig. 30)

## Batteria



**AVVERTENZA:** Prima di utilizzare la batteria, leggere e comprendere il capitolo sulla sicurezza. È inoltre importante leggere e comprendere il manuale operatore della batteria e del caricabatterie.

Mantenere la batteria e il caricabatteria a una temperatura ambiente adeguata.

	Temperatura ambiente
Funzionamento della batteria	5 °C - 40 °C
Caricamento della batteria	5 °C - 40 °C

### Stato della batteria

Il display mostra la capacità residua della batteria e se sussistono problemi con la batteria stessa. La capacità della batteria viene visualizzata per 5 secondi dopo lo spegnimento del prodotto o dopo aver premuto il pulsante di indicatore di batteria. Il simbolo d'avvertenza sulla batteria si accende quando si verifica un errore. Vedere *Batteria alla pagina 222*.

(Fig. 31)

Spie LED	Stato della batteria
Tutti i LED accesi	Completamente carica (75-100%)
LED 1, LED 2, LED 3 accesi	La batteria è carica al 50%-75%
LED 1, LED 2 accesi	La batteria è carica al 25%-50%
LED 1 acceso.	La batteria è carica allo 0%-25%.
LED 1 lampeggia.	La batteria è scarica. Ricaricare la batteria.

### Per caricare la batteria

Caricare la batteria prima del primo utilizzo. Quando viene fornita al cliente, la batteria è carica solo al 30%.

**Nota:** Il caricabatterie deve essere collegato alla rete elettrica e alla frequenza indicate sulla targhetta dati di funzionamento.

La batteria non si ricarica se la sua temperatura è superiore a 50°C. Il caricabatteria riduce la temperatura della batteria prima di iniziare la ricarica.

1. Collegare un'estremità del cavo di alimentazione del caricabatteria alla presa del caricabatterie.
2. Collegare l'altra estremità del cavo di alimentazione del caricabatteria ad una presa di corrente con messa a terra. Il LED sul caricabatterie lampeggia verde per una volta. (Fig. 32)
3. Inserire la batteria nel caricabatterie. La luce verde sul caricabatterie si accende quando la batteria è collegata correttamente al caricabatterie. (Fig. 33)
4. Quando tutti i LED sulla batteria sono accesi, la batteria è completamente carica. Caricare la batteria per massimo 24 ore.
5. Per scollegare il caricabatterie dalla presa di rete, estrarre la spina e non il cavo di alimentazione.
6. Rimuovere la batteria dal caricabatterie.

### Stato di ricarica della batteria

È possibile utilizzare o caricare una batteria agli ioni di litio Husqvarna a tutti i livelli di carica. La batteria non viene danneggiata. Una batteria completamente carica non diminuisce la carica se lasciata nel caricabatterie.

Display a LED	Livello di carica
LED 1 lampeggia.	0%-25%
LED 1 acceso, LED 2 lampeggia.	25%-50%
LED 1, LED 2 accesi, LED 3 lampeggia.	50%-75%
LED 1, LED 2, LED 3 accesi, LED 4 lampeggia.	75%-100%
LED 1, LED 2, LED 3, LED 4 accesi	Completamente carica

### Cosa fare prima di azionare il prodotto

1. Durante l'estate o in caso di terreno asciutto, bagnare con acqua il terreno il giorno prima di eseguire il lavoro.
2. Accertarsi che persone e animali rimangano ad almeno 20 m di distanza dal prodotto.
3. Inserire il cavo nell'avvolgicavo. Fare riferimento a *Installazione del cavo alla pagina 216*.
4. Regolare la profondità di posa dei cavi. Fare riferimento a *Regolazione della profondità di posa del cavo alla pagina 218*.
5. Fissare l'estremità del cavo a un picchetto.

## Avviamento del prodotto

1. Inclinare lateralmente il manubrio. Fare riferimento a *Inclinazione del manubrio alla pagina 218*.
2. Aprire il coperchio della batteria.
3. Inserire una batteria carica nel vano batteria numero 1, sotto il coperchio della batteria. Per tempi di funzionamento più lunghi, mettere una seconda batteria carica nel vano batteria numero 2.
4. Scollegare la chiave di sicurezza dal relativo supporto.
5. Inserire la chiave di sicurezza nel blocco di sicurezza. (Fig. 34)
6. Collocarsi dietro il prodotto.
7. Premere il pulsante di standby (A) sul pannello di controllo. La spia di standby (B) si accende. (Fig. 35)
8. Premere il pulsante di avvio/arresto (C) fino a bloccarlo in basso. Il motore si avvia.



**ATTENZIONE:** Non utilizzare il prodotto se la spia di avvertenza (D) lampeggia in rosso.

9. Spingere l'impugnatura per il funzionamento della lama nella direzione del manubrio per innestare la lama. (Fig. 36)

## Applicazione della trazione alle ruote

- Tirare l'impugnatura di comando di trazione (A) nella direzione del manubrio per innestare la trazione sulle ruote. (Fig. 37)
- Rilasciare l'impugnatura di comando della trasmissione per disinnestare la trazione sulle ruote.

## Regolazione della profondità di posa del cavo

1. Allentare la manopola (A). (Fig. 38)
2. Regolare la ruota di supporto (B) alla profondità di posa del cavo necessaria e serrare la manopola.

**Nota:** I numeri (C) presenti sul lato del tubo della ruota di supporto mostrano la profondità di posa del cavo in cm. La profondità di posa del cavo può essere regolata tra 1 e 6 cm.

## Regolazione dell'altezza del manubrio

L'altezza del manubrio può essere regolata in 5 posizioni.

1. Ruotare la maniglia (A) in senso antiorario per allentarla e rimuovere la manopola (B). (Fig. 39)
2. Regolare l'altezza del manubrio e installare la manopola nel foro della posizione più vicina.
3. Ruotare la maniglia in senso orario per serrarla.

## Inclinazione del manubrio

È possibile inclinare il manubrio per evitare di essere colpiti da ostacoli quando si utilizza il prodotto. È possibile inclinare il manubrio in 4 posizioni sul lato destro e in 4 posizioni sul lato sinistro.

1. Tirare completamente l'impugnatura inclinabile del manubrio (A) nella direzione del manubrio e tenerla in questa posizione. L'impugnatura inclinabile del manubrio si trova sul lato inferiore sinistro del manubrio. (Fig. 40)
2. Inclinare il manubrio in 1 delle 4 posizioni sul lato sinistro o destro e rilasciare l'impugnatura inclinabile del manubrio. Assicurarsi che il perno che blocca la posizione del manubrio si trovi in 1 delle fessure. (Fig. 41)

## Blocco della funzione di rotazione dell'aletta di alimentazione

Per aumentare la precisione della direzione quando si posiziona il cavo in sezioni lunghe e diritte, è possibile bloccare la funzione di rotazione dell'aletta di avvolgimento.

- Accertarsi che l'aletta di avvolgimento sia nella stessa direzione del prodotto, quindi serrare la maniglia (A). (Fig. 42)

## Regolazione della guida posacavi

Il prodotto è regolato per cavi da 4 mm. Se il cavo ha un diametro maggiore, è necessario regolare la guida posacavi.

1. Allentare le 2 viti. (Fig. 43)
2. Spostare la guida posacavi verso l'alto di qualche millimetro.
3. Serrare le 2 viti.

## Regolazione della larghezza del cingolo

È possibile regolare la posizione delle ruote in base alle diverse larghezze del cingolo. Sono presenti 4 fori di regolazione nell'assale sul lato sinistro e 4 fori di regolazione nell'assale sul lato destro. È possibile regolare la larghezza del cingolo a 250, 270, 290 o 310 mm dal centro della lama. (Fig. 44)

1. Estrarre il perno (A).
2. Regolare le ruote alla necessaria larghezza del cingolo.
3. Inserire il perno in uno dei 4 fori (B) nell'assale.
4. Bloccare la molla di sicurezza.

## Avvio del lavoro

Dopo aver installato il cavo e la lama, l'operatore deve fissare il cavo al terreno.

1. Posizionare un paletto a terra.
2. Fissare la parte del cavo che fuoriesce dalla parte inferiore della guida posacavi al picchetto.

## Utilizzo della guida per 2 cavi

Se il prodotto si allontana dal perimetro esterno dell'area di lavoro, è necessario posizionare contemporaneamente 2 cavi.

1. Far avanzare 1 cavo lungo l'intero perimetro. Fare riferimento alle figure (A) e (B). (Fig. 45) (Fig. 46)
2. Quando ci si trova nel punto indicato nella figura (C), portare la ruota di supporto nella posizione più alta per rimuovere l'aletta di avvolgimento dal terreno. Fissare il cavo con un picchetto e continuare con il cavo sopra il terreno fino al punto successivo. (Fig. 47)
3. Fissare il cavo con un picchetto nel punto indicato nella figura (D). (Fig. 48)
4. Posizionare l'aletta di avvolgimento alla corretta profondità di posa dei cavi e continuare a far avanzare il cavo per creare l'isola. Fare riferimento alla figura (E). (Fig. 49)
5. Quando si raggiunge il punto indicato nella figura (F), rimuovere il picchetto e pulire l'aletta di avvolgimento. Fare riferimento a *Pulizia dell'aletta di avvolgimento alla pagina 220*. (Fig. 50)
6. Assemblare il cavo sopra il terreno nella guida posacavi. (Fig. 51)

7. Far avanzare contemporaneamente i 2 cavi fino al punto indicato nella figura (G). Fissare i 2 cavi a un picchetto e sganciare il secondo cavo dalla guida posacavi. (Fig. 52)
8. Continuare a far avanzare il cavo perimetrale fino al punto indicato nella figura (H). (Fig. 53)

## Arresto del prodotto

Il prodotto si arresta automaticamente se rimane non utilizzato per 3 minuti.

1. Rilasciare l'impugnatura di comando (A) per disinnestare la trazione sulle ruote. (Fig. 37)
2. Rilasciare l'impugnatura per il funzionamento della lama per arrestare la lama. (Fig. 17)
3. Premere il pulsante di avvio/arresto sul pannello di controllo.
4. Premere il pulsante di standby sul pannello di controllo.
5. Aprire il coperchio della batteria.
6. rimuovere la chiave di sicurezza dal relativo blocco e inserirla nel supporto.
7. Utilizzare il raschiatore per pulire l'aletta di avvolgimento. Fare riferimento a *Pulizia dell'aletta di avvolgimento alla pagina 220*.
8. Pulire e lubrificare la testa della lama dopo ogni operazione. Fare riferimento a *Pulizia e lubrificazione della testa della lama alla pagina 220*.

# Manutenzione

## Introduzione



**AVVERTENZA:** Prima di svolgere la manutenzione, leggere e comprendere il capitolo relativo alla sicurezza.

Per tutti gli interventi di assistenza e riparazione sul prodotto, è necessaria una formazione specifica. La nostra azienda garantisce la disponibilità di personale qualificato per le riparazioni e l'assistenza.

Per ulteriori informazioni dettagliate, fare riferimento a [www.husqvarna.com](http://www.husqvarna.com).

## Programma di manutenzione

Gli intervalli di manutenzione sono calcolati sulla base di un uso quotidiano del prodotto. Gli intervalli cambiano se il prodotto non viene usato quotidianamente.

Per gli interventi di manutenzione identificati con \*, fare riferimento a *Dispositivi di sicurezza sul prodotto alla pagina 214*.

	A ciascun utilizzo	Una volta al mese	Ogni stagione
Effettuare un'ispezione generale.	X		
Accertarsi che i dispositivi di sicurezza del prodotto non siano difettosi*.	X		
Esaminare la lama e l'aletta di avvolgimento.	X		
Controllare l'impugnatura per il funzionamento della lama*.	X		
Accertarsi che il pulsante di avvio/arresto funzioni correttamente e che non sia difettoso.	X		
Controllare la presenza di eventuali danni alla batteria.	X		

	A ciascuno utilizzo	Una volta al mese	Ogni stagione
Effettuare un controllo dello stato di carica della batteria.	X		
Accertarsi che i pulsanti di rilascio sulla batteria funzionino correttamente e che tengano la batteria bloccata all'interno del prodotto.	X		
Pulire le prese d'aria sul motore. Accertarsi che le prese d'aria non siano sporche oppure ostruite dall'erba.	X		
Lubrificare le parti non verniciate.	X		
Lubrificare le parti in cui la zincatura si è usurata.	X		
Pulire e lubrificare la testa della lama.	X		
Pulire l'aletta di avvolgimento.	X		
Controllare che il caricabatterie non sia danneggiato e che funzioni correttamente.		X	
Controllare i collegamenti tra la batteria e il prodotto. Controllare anche il collegamento tra la batteria e il caricabatterie.			X

## Pulizia dell'aletta di avvolgimento

- Utilizzare il raschiatore per rimuovere il terreno e pulire l'aletta di avvolgimento. (Fig. 54)

## Sostituzione dell'aletta di avvolgimento

- Inclinare il prodotto in avanti e posizionarlo delicatamente a terra.
- Rimuovere le 2 viti (A) e l'aletta di avvolgimento (B). (Fig. 55)
- Installare la nuova aletta di avvolgimento seguendo la sequenza inversa alla rimozione.

## Sostituzione della lama

- Rimuovere erba e sporcizia dal prodotto.



**ATTENZIONE:** Accertarsi che sporcizia o altri materiali indesiderati non penetrino nella lama durante il processo di installazione.

- Nota:** Pulire e lubrificare l'alloggiamento della lama ogni volta dopo averla utilizzata.
- Rimuovere la vite corta (A) dalla testa della lama (B) e rimuovere la lama (C). (Fig. 56)

**Nota:** Per sostituire la lama è necessaria una chiave a brugola da 6 mm.

- Rimuovere la vite lunga (D) e la lama (E) dalla testa della lama.
- Inserire una nuova lama nella testa della lama e avvitare la vite lunga.

- Installare la testa della lama sull'albero.
- Serrare le viti.

## Pulizia e lubrificazione della testa della lama

Pulire completamente la testa della lama dopo averla utilizzata.

- Inclinare il prodotto in avanti e posizionarlo delicatamente a terra.
- Rimuovere erba, sporcizia e materiali indesiderati con una spazzola morbida.
- Utilizzare aria compressa per rimuovere le particelle più piccole di erba e sporcizia.
- Rimuovere le viti (A) dalla testa della lama (B) e rimuovere la lama (C). (Fig. 56)
- Allentare le 2 viti (D) e rimuovere l'aletta di avvolgimento (E). (Fig. 57)
- Rimuovere la vite (F) e rimuovere la testa della lama (G) dall'albero (H). (Fig. 58)
- Utilizzare aria compressa per pulire il prodotto. Accertarsi di rimuovere tutta la sporcizia, l'erba e altri materiali indesiderati.
- Se necessario, rimuovere il grasso sporco con un solvente adatto.
- Pulire tutti i componenti con un solvente adatto e lubrificare ogni componente.
- Applicare grasso idrorepellente sull'albero. (Fig. 59)

## Per pulire la batteria e il caricabatterie



**AVVERTENZA:** Non pulire la batteria o il caricabatterie con acqua.



**AVVERTENZA:** Non utilizzare sostanze chimiche per pulire la batteria.

- Accertarsi che la batteria e il caricabatterie siano puliti e asciutti prima di inserire la batteria nel caricabatterie.
- Pulire i terminali della batteria con aria compressa o con un panno morbido e asciutto.
- Pulire le superfici della batteria e del caricabatterie con un panno morbido e asciutto.

## Ricerca guasti

### Risoluzione dei problemi

Se non si riesce a trovare la soluzione al problema in questo Manuale, rivolgersi alla propria officina autorizzata Husqvarna.

Problema	Causa
Il motore non si avvia.	La batteria non è carica.
	La batteria non è installata correttamente.
	La batteria è difettosa.
	Il pannello di controllo è difettoso.
La lama non ruota.	La cinghia è usurata.
	La cinghia è fuoriuscita dalle pulegge.
	La leva non esercita una tensione sufficiente sulla cinghia.
La lama continua a ruotare quando viene rilasciata l'impugnatura per il funzionamento della lama.	Il filo proveniente dall'impugnatura per il funzionamento della lama è usurato o danneggiato.
Il prodotto non funziona correttamente.	La lama è usurata o danneggiata.
	La lama non è installata correttamente.
Il prodotto non si muove quando l'impugnatura di comando è innestata.	Il filo proveniente dall'impugnatura di comando è usurato o danneggiato.
	Le cinghie della trasmissione sono usurate.
	La catena è rotta o non esercita una tensione sufficiente.
	I dischi della frizione all'interno dell'alloggiamento della trasmissione sono usurati.
Non è possibile rimuovere la testa della lama.	Nell'unità è presente materiale indesiderato.
	L'interno del sistema si è ossidato.
L'isolamento del cavo inserito a terra è danneggiato.	Il foro di uscita del cavo sull'aletta di avvolgimento è danneggiato.
	Il tubo che contiene il cavo e che fa parte dell'aletta di avvolgimento è sporco.

## Batteria

LED della batteria	Causa	Soluzione
Il LED verde lampeggia.	La tensione della batteria è bassa.	Caricare la batteria. Fare riferimento a <i>Per caricare la batteria alla pagina 217</i> .
Il LED di errore lampeggia.	La batteria è scarica.	Caricare la batteria. Fare riferimento a <i>Batteria alla pagina 222</i> .
	La temperatura nell'ambiente di lavoro è troppo alta o troppo bassa.	Utilizzare la batteria a una temperatura compresa tra -10 °C e 40 °C.
	Sovratensione.	Controllare che la tensione di rete corrisponda a quella indicata sull'etichetta del prodotto.  Rimuovere la batteria dal caricabatterie. Attendere 5 secondi e riprovare a caricare la batteria. Se il problema persiste, contattare un'officina autorizzata.
Il LED di errore è acceso.	La differenza delle celle è eccessiva (1 V).	Contattare un'officina autorizzata.

## Caricabatterie

LED del caricabatterie	Causa	Soluzione
Il LED di errore lampeggia.	La temperatura nell'ambiente di lavoro è troppo alta o troppo bassa.	Utilizzare il caricabatterie a una temperatura compresa tra 5°C e 40°C.
Il LED di errore è acceso.		Contattare un'officina autorizzata.

## Pannello di comando

Codice di errore (numero di lampeggi)	Possibili guasti	Possibile procedura
5	La velocità del motore diminuisce eccessivamente e il motore si arresta.	Pulire la testa della lama e ridurre la profondità di posa dei cavi. Fare riferimento a <i>Pulizia e lubrificazione della testa della lama alla pagina 220</i> e <i>Regolazione della profondità di posa del cavo alla pagina 218</i> . Se il problema persiste, contattare un'officina autorizzata.
8	La batteria è scarica.	Caricare la batteria. Fare riferimento a <i>Per caricare la batteria alla pagina 217</i> .
9	Errore batteria o nessun segnale dalla batteria.	Inserire correttamente la batteria nel prodotto e controllare il connettore della batteria. Se il LED di errore della batteria lampeggia, fare riferimento a <i>Batteria alla pagina 222</i> .
10	Il comando del motore è troppo caldo.	Arrestare il motore e attendere che si raffreddi.

Codice di errore (numero di lampeggi)	Possibili guasti	Possibile procedura
Altri errori	Se si verificano altri errori, rimuovere la chiave di sicurezza e la batteria e rivolgersi a un'officina autorizzata.	

## Trasporto, stoccaggio e smaltimento

### Introduzione



**AVVERTENZA:** Per evitare l'avviamento accidentale durante il trasporto, tirare verso l'alto la chiave di sicurezza, rimuovere la batteria e attendere almeno 5 secondi.

### Trasporto

- I requisiti di legge sulle merci pericolose si applicano alle batterie agli ioni di litio incluse.
- Rispettare i requisiti speciali riportati sulla confezione e sulle etichette per il trasporto commerciale.
- Durante la preparazione al trasporto del prodotto, attenersi alle normative relative ai materiali pericolosi. Possono essere in vigore alcune normative locali.
- Rimuovere sempre la batteria per il trasporto.
- Applicare del nastro sui connettori della batteria e assicurarsi che la batteria rimanga fissa in posizione durante il trasporto.
- Fissare il prodotto durante il trasporto.

### Rimessaggio

- Prima di riporre il prodotto, lasciarlo raffreddare.
- Rimuovere sempre la batteria per lo stoccaggio.
- Per evitare incidenti, assicurarsi che la batteria non sia collegata al prodotto una volta riposto.
- Conservare il caricabatterie in un ambiente chiuso e asciutto.
- Conservare la batteria e il caricabatterie in un luogo asciutto, privo di umidità e protetto dal gelo.
- Scollegare la batteria dal caricabatterie durante lo stoccaggio.
- Non conservare la batteria in aree elettricamente statiche. Non conservare mai la batteria in una scatola di metallo.

- Conservare il prodotto a una temperatura ambiente compresa tra -10 °C e 40 °C.
- Conservare la batteria a una temperatura ambiente compresa tra 5 °C e 25 °C e non esposta alla luce del sole.
- Conservare il caricabatterie a una temperatura ambiente compresa tra 5 °C e 45 °C e non esposto alla luce del sole.
- Accertarsi che la batteria sia carica al 30% - 50% prima di riporla per lunghi periodi.
- Conservare il prodotto, la batteria e il caricabatterie in un luogo chiuso a chiave, fuori dalla portata di bambini e di persone non autorizzate.
- Pulire il prodotto.
- Eseguire gli interventi di manutenzione riportati nel presente manuale operatore. Fare riferimento a *Programma di manutenzione alla pagina 219*.
- Eseguire una manutenzione completa prima di riporre il prodotto per lunghi periodi.

### Smaltimento

I simboli sul prodotto o sull'imballaggio indicano che il presente prodotto non può essere trattato come rifiuto domestico. Deve essere portato presso un centro di raccolta specializzato nel recupero di apparecchiature elettriche ed elettroniche.

Trattando questo prodotto correttamente, si contribuisce a contrastare il potenziale impatto negativo sull'ambiente e sulle persone che può altrimenti sortire da una gestione impropria del prodotto come rifiuto. Per informazioni più dettagliate sul riciclaggio di questo prodotto, contattare l'autorità municipale, il servizio rifiuti domestici o il punto vendita in cui è stato acquistato.

(Fig. 60)

## Dati tecnici

Motore da carotaggio	
Tipo di motore	BLDC (senza spazzole) 36V

Velocità del motore - nominale, giri/min	3000/min
Velocità del motore - carico elevato, giri/min	3.300/min
Potenza del motore - massima, kW	1,8
Potenza del motore - nominale, kW	1,2
Trasmissione	Trasmissione meccanica con ingranaggi a bagno d'olio
Ricevitore	Del tipo a cinghia, con puleggia
<b>Peso</b>	
Peso senza batteria, kg	39
Peso compreso 2 macchine BLi300, kg	43
<b>Batteria</b>	
Tipo di batteria	Serie a batteria Husqvarna
<b>Prestazione della batteria</b>	
Tempo di utilizzo della batteria, min <sup>49</sup>	38
<b>Emissioni di rumore</b> <sup>50</sup>	
Livello di potenza acustica, misurato L <sub>WA</sub> dB(A)	84
Livello acustico, garantito L <sub>WA</sub> dB(A)	86
<b>Livelli di rumorosità</b> <sup>51</sup>	
Livello di pressione acustica all'orecchio dell'operatore, dB(A)	66
<b>Livelli di vibrazioni</b> <sup>52</sup>	
Impugnatura m/s <sup>2</sup>	1,8
<b>Attrezzatura di posa dei cavi</b>	
Profondità di posa dei cavi, cm	1 - 6
Distanza tra lama e bordo ruota, mm	250, 270, 290, 310
Trapano	597 04 84-01

Batterie approvate	Marchio	Tipo	Capacità batteria, Ah	Tensione, V	Peso, lb/kg
BLi300	Husqvarna	Ioni di litio	9,4	36	4,1/1,9

<sup>49</sup> Funzionamento libero, misurato con la modalità standard attivata e 1 batteria Husqvarna da 9,4 Ah (BLi300).

<sup>50</sup> Emissioni di rumore nell'ambiente misurate come potenza sonora (L<sub>WA</sub>) in base alla direttiva CE 2000/14/CE.

<sup>51</sup> I dati riportati per il livello di pressione acustica hanno una dispersione statistica tipica (deviazione standard) di 1,2 dB(A).

<sup>52</sup> I dati riportati per il livello di vibrazioni presentano una dispersione statistica tipica (deviazione standard) di 0,2 m/s<sup>2</sup>. Standard sulle vibrazioni EN 1032+A1:2009.



<b>Caricabatteria omologati per le batterie specificate, BLi</b>	<b>Marchio</b>	<b>Tensione di entrata, V</b>	<b>Frequenza, Hz</b>	<b>Potenza, W</b>
QC500	Husqvarna	100-240	50-60	500

# Dichiarazione di conformità

## Dichiarazione di conformità UE

Husqvarna AB, SE-561 82 Huskvarna, Svezia, tel.:  
+46-36-146500, dichiara sotto la propria esclusiva  
responsabilità che il prodotto indicato:

<b>Descrizione</b>	Posacavi
<b>Marchio</b>	Husqvarna
<b>Tipo / Modello</b>	CL400i
<b>Identificazione</b>	Numeri di serie a partire da 2022 e successivi

È pienamente conforme alle seguenti norme e direttive  
UE:

<b>Regolamento</b>	<b>Descrizione</b>
2006/42/CE	"sulle macchine"
2014/30/UE	"sulla compatibilità elettromagnetica"
2011/65/UE	"sulla restrizione dell'uso di determinate sostanze pericolose nelle apparecchiature elettriche ed elettroniche"

e che sono applicati gli standard e/o le specifiche  
tecniche seguenti: EN ISO 12100:2010, EN ISO  
14119:2013, EN ISO 14120:2015, EN ISO 13857:2019,  
EN 62841-1:2015+AC:2015, EN ISO 11202:2010, EN  
1032:2009, EN 55014-1:2017, EN 55014-2:2015, EN  
63000:2018.

Per informazioni sulle emissioni acustiche, fare  
riferimento a *Dati tecnici alla pagina 223*.

Huskvarna, 2022-03-21



Claes Lossdal, Responsabile sviluppo/Prodotti da  
giardino, Husqvarna AB

Responsabile della documentazione tecnica



---

# TURINYS

---

Įvadas.....	227	Gedimai ir jų šalinimas.....	237
Sauga.....	228	Transportavimas, saugojimas ir utilizavimas.....	239
Surinkimas.....	232	Techniniai duomenys.....	240
Naudojimas.....	233	Atitikties deklaracija.....	242
Techninė priežiūra.....	236		

---

## Įvadas

---

### Gaminio aprašas

Šis gaminys yra pėsčiojo valdomas kabelio klotuvas.

### Gaminio apžvalga

(Pav. 1)

1. Gražto naudojimo lankas
2. Rankenos pakreipimo lankas
3. Pavaros rankena
4. Skaitiklis
5. Kabelio vyniotuvas
6. Tiekimo briauna
7. Gražtas
8. Valdymo skydelis
9. Apsauginis raktelis
10. Akumulatorius (priedas)
11. Akumulatoriaus įkroviklis (priedas)
12. Naudojimo instrukcija

### Simboliai ant gaminio

(Pav. 2) ĮSPĖJIMAS

(Pav. 3) Įspėjimas. Sukamosios dalys. Saugokite rankas ir kojas.

(Pav. 4) Saugokitės išmetamų ir rikošetu atšokusių daiktų.

(Pav. 5) Perskaitykite instrukcijas.

(Pav. 6) Asmenims ir gyvūnams būtina laikytis saugaus atstumo nuo darbo zonos.

(Pav. 7) Pašalinių asmenų akių sužeidimo pavojus.

(Pav. 8) Nepalikite lietuje.

(Pav. 9) Dėvėkite apsauginį skydelį.

(Pav. 10) Stovėjimo režimas (juodas mygtukas).

### Numatytasis naudojimas

Šį gaminį naudokite norėdami pakloti roboto vejąplovės kontūro kabelį ir gido kabelį į žemę. Nenaudokite gaminio kitiems darbams.

(Pav. 10) Paleidžia ir sustabdo variklį (raudonas mygtukas).

(Pav. 11) Gaminys ar gaminio pakuotė nepriskiriami buitiniams atliekoms. Nuvežkite jį į elektros ir elektronikos įrenginių perdirbimo punktą.

(Pav. 12) Šis gaminys atitinka taikomas EB direktyvas.

(Pav. 13) Šis gaminys atitinka taikytinų JK reglamentų nuostatas.

(Pav. 14) Triukšmo emisijos į aplinką ženklina atitinka ES ir Jungtinės Karalystės direktyvas bei reglamentus ir Naujojo Pietų Velso įstatymą „2017 m. aplinkos apsaugos (triukšmo kontrolės) reglamentas“. Gaminio garantuotasis garso galios lygis nurodytas *Techniniai duomenys psl. 240* ir etiketėje.

(Pav. 15) Gaminys apsaugotas nuo lašėjimo.

---

**Pasižymėkite:** Kiti ant gaminio pateikti simboliai (etiketės) skirti kai kurių rinkų sertifikavimui reikalavimams.

---

### Produkto pažeidimai

Mes neatsakome už mūsų gaminio sugadinimą, jei:

- gaminys netinkamai suremontuotas;
- gaminys suremontuotas naudojant kito gamintojo arba gamintojo nepatvirtintas dalis;
- gaminys turi kito gamintojo arba gamintojo nepatvirtintą priedą;

- gaminy s suremontuotas ne patvirtintame techninės priežiūros centre arba jį suremontavo ne patvirtintas atstovas.

## Sauga

### Saugos ženklų reikšmės

Įspėjimai, perspėjimai ir pastabos yra skirtos atkreipti dėmesį į ypač svarbias vadovo dalis.



**PERSPĖJIMAS:** Naudojamas, kai naudotojai ar šalia esantiems asmenims kyla mirtino arba sunkaus sužeidimo pavojus arba, jei nesilaikoma vadove pateiktų nurodymų.



**PASTABA:** Naudojamas, kai kyla pavojus sugadinti gaminį, kitas medžiagas arba padaryti žalą aplinkai, jei nesilaikoma vadove pateiktų nurodymų.

**Pasižymėkite:** Naudojamas papildomai informacijai apie konkrečią situaciją pateikti.

### Bendrieji gaminio saugos įspėjimai



**PERSPĖJIMAS:** Perskaitykite visus saugos įspėjimus, instrukcijas, iliustracijas ir specifikacijas, pateikiamas su šiuo gaminiumi. Nesilaikydami toliau nurodytų instrukcijų galite sukelti gaisrą, gauti elektros smūgį ir (ar) rimtai susižeisti.

**Saugokite visus įspėjimus ir instrukcijas, nes jų gali prireikti vėliau.** Terminas „gaminys“ įspėjimuose reiškia iš elektros tinklo maitinamą (laidinį) gaminį arba akumuliatoriumi maitinamą (belaidį) gaminį.

### Sauga darbo vietoje

- **Darbo vieta turi būti švari ir gerai apšviesta.** Netvarkingose arba tamsiose darbo vietose dažnai įvyksta nelaimės.
- **Nenaudokite gaminio sprogiose aplinkose, pavyzdžiui, ten, kur yra degių skysčių, dujų arba dulkių.** Gaminys kibirkščiuoja, todėl gali užsiliepsnoti dulkės arba garai.
- **Naudodami gaminį, neleiskite arti būti vaikams ir pašaliniam asmeniui.** Išsiblaškę galite prarasti įrenginio kontrolę.

### Elektrosauga

- **Gaminų kištukai turi atitikti elektros lizdus. Niekada nebandykite koku nors būdu perdaryti kištuko. Jei naudojate įžemintus gaminius, nenaudokite jokių kištukų adapterių.** Jeigu kištukai nėra perdaryti ir

atitinka elektros lizdus, elektros smūgio pavojus yra mažesnis.

- **Nesilieskite prie elektros laidininkų paviršių, pavyzdžiui, vamzdžių, radiatorių, viryklių ir šaldytuvų.** Jei kūnas taps elektros laidininku, iškils elektros smūgio pavojus.
- **Nelaikykite gaminį lietuje arba drėgnoje aplinkoje.** Į gaminį patekęs vanduo padidina elektros smūgio pavojų.
- **Tinkamai naudokite laidą. Niekada neneškite gaminio laikydami už laido, netraukite jo ir nebandykite traukdam už jo ištraukti kištuką. Laikykite laidą atokiai nuo šilumos šaltinių, tepalų, aštrių briaunų ar judančių dalių.** Dėl pažeistų arba susipainiojusių laidų padidėja elektros smūgio rizika.
- **Jei gaminį naudojate lauke, naudokite lauke skirtą naudoti ilgintuvą.** Naudojant lauke skirtą naudoti ilgintuvą, sumažėja elektros smūgio rizika.
- **Jeigu gaminį būtina naudoti drėgnoje aplinkoje, naudokite lietašiosios srovės [taisu (LS)] apsaugotą maitinimo šaltinį.** Naudojant LS], sumažėja elektros smūgio pavojus.

### Asmens sauga

- **Naudodami gaminį būkite budrūs, stebėkite savo veiksmus ir vadovaukitės sveiku protu. Nenaudokite gaminio, jei esate pavargę, apsvaigę nuo narkotikų, alkoholio arba vaistų.** Dirbant gaminiumi netgi akimirksnis neatidumo gali tapti sunkaus sužeidimo priežastimi.
- **Naudokite asmenines apsaugines priemones. Visuomet užsidėkite akių apsaugos priemones.** Dėl atitinkamomis sąlygomis naudojamų apsauginių priemonių, pavyzdžiui, respiratorių, neslystančių apsauginių batų, šalmo arba apsauginių ausinių, sumažėja sužeidimų rizika.
- **Saugokitės atsitiktinio įsijungimo. Prieš prijungdami gaminį prie maitinimo šaltinio ir (arba) akumuliatorių bloko, paimdami arba nešdami įrenginį, įsitinkinkite, kad jungiklis yra išjungimo padėtyje.** Jei nešite gaminiumi laikydami pirštą ant jungiklio ar prijungsite jį prie maitinimo šaltinio, kai jungiklis yra įjungimo padėtyje, gali įvykti nelaimingas atsitikimas.
- **Prieš įjungdami gaminį, pašalinkite iš jo visus reguliavimo raktus ar veržliaraktčius.** Besisukančiose gaminio dalyse paliktas veržliaraktis arba raktas gali sužeisti.
- **Per plačiai neužsimokite. Visada tvirtai stovėkite ant kojų ir laikykite pusiausvyrą.** Tokiu būdu geriau kontroliuosite gaminį netikėtose situacijose.
- **Apsirenkite tinkamai. Niekada nedėvėkite palaidų drabužių ar papuošalų. Nelaikykite plaukų ir drabužių**

**arti judančių dalių.** Palaidi drabužiai, papuošalai arba ilgi plaukai gali įkliūti į judančias dalis.

- **Jeigu naudojate įtaisus, skirtus dulkių surinkimo įrenginiams prijungti, įsitikinkite, kad jie tinkamai prijungti ir naudojami.** Naudojant dulkių surinkimo įrenginius, sumažėja su dulėmis susijusių pavojų rizika.
- **Ilgą naudotis gaminiais ir prieš jų prapatę nenustokite paisyti gaminų saugos principų.** Dėl neatsargių veiksmų galite sunkiai susižeisti vos per akimirka.

## Gaminio naudojimas ir priežiūra

- **Dirbdami su gaminiu nenaudokite jėgos. Naudokite savo darbui tinkamą gaminį.** Naudojant numatytam tikslui skirtą gaminį, darbas bus atliktas saugiau ir greičiau.
- **Jeigu paspaudus jungiklį gaminys neišsijungia arba neišsijungia, nenaudokite jo.** Gaminys, kurio nepavyksta tinkamai valdyti jungikliu, kelia pavojų ir turi būti pataisytas.
- **Prieš reguliuodami gaminį, keisdami priedus arba padėdami saugoti gaminius, ištraukite maitinimo laidą kištuką iš elektros maitinimo šaltinio ir (arba) išimkite akumuliatorių bloką iš gaminio, jei tai įmanoma.** Laikantis šių prevencinių saugos priemonių, sumažėja netyčinio gaminio įjungimo rizika.
- **Nenaudojamus gaminius laikykite vaikams nepasiekiamoje vietoje ir neleiskite naudoti gaminio asmenims, kurie nemoka juo naudotis arba nėra susipažinę su šiomis instrukcijomis.** Nekvalifikuotų naudotojų rankose gaminiai yra pavojingi.
- **Pržiūrėkite gaminius ir jų priedus. Patikrinkite, ar sureguliuotos ir nestringa judančios dalys, ar nėra sulūžusių dalių ir kitų veiksmų, kurie gali daryti įtaką gaminio veikimui. Jei gaminys sugedęs, prieš naudodami jį sutaisykite.** Daug nelaimingų atsitikimų įvyksta dėl netinkamai pržiūrimų gaminų.
- **Pjovimo įrankiai turi būti pagaldėti ir švarūs.** Tinkamai pržiūrėti pjovimo įrankiai su aštriomis pjovimo briaunomis rečiau užstringa ir juos paprasčiau valdyti.
- **Gaminį, priedus, antgalius ir pan. naudokite taip, kaip nurodyta šiose instrukcijose, atsižvelgdami į darbo sąlygas ir atliekamą darbą.** Naudodami gaminį ne pagal paskirtį, galite sukelti pavojų.
- **Rankenos ir laikomieji paviršiai visuomet turi būti sausi ir švarūs (neištepti alyva ar tepalais).** Slidžios rankenos ir laikymosi paviršiai neleidžia saugiai valdyti ir kontroliuoti gaminio netikėtose situacijose.

## Techninė priežiūra

- **Gaminio techninę priežiūrą privalo atlikti kvalifikuotas remonto specialistas, naudodamas tik tokias pačias pakaitines dalis.** Tokiu būdu bus užtikrinta gaminio sauga.
- **Niekada neatlikite pažeistų akumuliatorių blokų techninės priežiūros.** Akumuliatorių blokų techninę

priežiūrą gali atlikti tik gamintojas arba įgalioti paslaugų teikėjai.

## Akumuliatoriinių įrankių naudojimas ir priežiūra

- **Akumuliatorius kraukite tik gamintojo nurodytu įkrovikliu.** Įkroviklis, tinkamas vienam akumuliatorių blokui, gali sukelti gaisro pavojų, naudojamas kitam akumuliatorių blokui įkrauti.
- **Gaminius naudokite tik su jiems skirtais akumuliatorių blokais.** Naudojant bet kokį kitą akumuliatorių bloką kyla sužeidimo ir gaisro pavojus.
- **Nenaudokite akumuliatorių bloką laikykite toliau nuo metalinių daiktų, galinčių sukurti jungtį tarp gnybtų, pavyzdžiui sąvaržėlių, monetų, raktų, vinių, varžtų ir kitų smulkių metalinių daiktų.** Trumpai sujungus akumuliatoriaus gnybtus gali kilti gaisras arba galite nudegti.
- **Esant nepalankioms sąlygoms, iš akumuliatoriaus gali imti tekėti skystis. Nelieskite jo. Ant odos netyčia patekus skystį nuplaukite vandeniu. Skysčiui patekus į akis kreipkitės medicininės pagalbos.** Iš akumuliatoriaus ištekėjęs skystis gali sudirginti arba nudeginti.
- **Nenaudokite pažeisto arba modifikuoto akumuliatorių bloko arba įrankio.** Naudojant pažeistus ar modifikuotus akumuliatorius, jų veikimas gali būti neprognozuojamas ir jie gali sukelti gaisrą, sprogimą ar sužaloti.
- **Saugokite akumuliatorių bloką arba įrankį nuo ugnies ir didelės temperatūros.** Sąlytis su ugnimi arba 130 °C (265°F) temperatūra gali sukelti sprogimą.
- **Laikykites visų įkrovimo nurodymų ir neįkraukite akumuliatorių bloko ar įrankio, esant nurodytame diapazone neišsitenkančiai temperatūrai.** Netinkamai įkraunant arba esant nurodytame diapazone neišsitenkančiai temperatūrai gali būti pažeistas akumuliatorius ir padidėti gaisro tikimybė.

## Bendrieji saugos nurodymai



**PERSPĖJIMAS:** Prieš naudodami gaminį, perskaitykite toliau esančius įspėjimus.

- Netinkamai arba neatidžiai naudojant šis gaminys yra pavojingas. Jei nesilaikysite saugos nurodymų, kyla sužeidimų arba mirties pavojus.
- Šis gaminys veikdamas sukuria elektromagnetinį lauką. Tam tikromis aplinkybėmis šis laukas gali trikdyti aktyviųjų arba pasyviųjų medicininį implantų veiklą. Kad sumažėtų sunkių ar mirtinų sužeidimų pavojus, medicininį implantų turintiems asmenims rekomenduojame prieš naudojant šį gaminį pasitarti su gydytoju ir implanto gamintoju.
- Visada elkitės atsargiai ir vadovaukitės sveiku protu. Jei tiksliai nežinote, kaip naudoti gaminį konkrečioje situacijoje, sustabdykite darbą ir prieš tęsdami darbą pasitarkite su „Husqvarna“ pardavimo atstovu.

- Atsiminkite, kad už nelaimingus atitikimus, kurių metu nukentės asmenys ar turtas, bus atsakingas naudotojas.
- Rūpinkitės gaminio švara. Įsitikinkite, kad galite aiškiai perskaityti ženklus ir lipdukus.
- Neleiskite vaikams bei suaugusiems, nesusipažinusiems su instrukcijomis, naudotis įrenginiu. Gali būti, kad pagal vietos teisės aktus ribojamas naudotojo amžius.
- Visada prižiūrėkite gaminį naudojančių fizinę arba protinę negalią turinčių asmenį. Būtina nuolatinė atsakingo suaugusiojo priežiūra.
- Nedirbkite su gaminiu, jeigu esate pavargę, sergate arba esate apsvaigę alkoholio, narkotinių medžiagų ar vaistų. Tai neigiamai veikia jūsų regėjimą, nuovoką ar koordinaciją.
- Nenaudokite gaminio, jei jis yra pažeistas arba neveikia tinkamai.
- Nekeiskite gaminio ir nenaudokite jo, jei jį galėjo pakeisti kiti.
- Būkite ypač atsargūs keisdami judėjimo kryptį ant kalno šlaitų. Šlaitus įjunkite skersai. Nevažiuokite į viršų ir žemyn.
- Būkite atsargūs artėdami prie nematomų kampų ir daiktų, kurie užstoja vaizdą.
- Užtikrinkite, kad grąžtas neatsitrenktų į kitus objektus, pvz., akmenis ir šaknis. Taip galima sugadinti grąžtą ir sulenkti variklio veleną. Sulenkta variklio velenas kelia didelę vibraciją ir kyla didžiulis pavojus, kad grąžtas atsilaisvins.
- Jei į grąžtą atsitrenkia objektas arba susidaro vibracijos, nedelsdami sustabdykite gaminį. Sustabdykite variklį, ištraukite apsauginį raktelį ir išimkite akumuliatorių. Palaukite, kol judančios dalys sustos. Patikrinkite, ar gaminys neapgadintas. Priveržkite atsilaisvinusias dalis. Pataisykite pažeidimus ir pakeiskite pažeistas dalis. Taisyimo darbus leiskite atlikti įgaliotam techninės priežiūros atstovui.
- Netvirtinkite grąžto naudojimo lanko prie rankenos visam laikui, kai variklis veikia.
- Padėkite gaminį ant stabilaus, plokščio paviršiaus ir paleiskite jį.
- Visada būkite už gaminio, kai jį naudojate.
- Prižiūrėkite, kad visi ratukai būtų ant žemės ir abi rankas laikykite ant rankenos, kai naudojate gaminį.
- Saugokite rankas bei kojas ir neikiškite jų prie besisukančio grąžto.
- Nepakreipkite gaminio, kai paleidžiate variklį arba naudodami gaminį.
- Būkite atsargūs, kai gaminį traukiate atgal.
- Varikliui veikiant gaminio niekada nekelkite. Jei reikia pakelti gaminį, pirmiausia išjunkite varklį, ištraukite apsauginį raktelį ir išimkite akumuliatorių.
- Naudodami gaminį neikite atgal.
- Atleiskite grąžto naudojimo lanką, kad sustabdytumėte grąžtą, kai gaminį reikia pakreipti transportuoti.
- Dirbant varikliui nebėkite su gaminiu. Naudodami gaminį visada eikite.
- Prieš pakeisdami kabelio klojimo gylį, pirmiausia išjunkite variklį. Nereguliuokite varikliui veikiant.
- Nepaleiskite gaminio iš akių, kai veikia variklis. Išjunkite variklį ir įsitikinkite, kad grąžtas nesisuka.
- Gaminio vibracijos jam veikiant gali skirtis nuo deklaruojamos vibracijos vertės, nurodytos *Techniniai duomenys psl. 240*. Skirtumas lemia skirtingas gaminio naudojimas. Jei gaminį naudojate dažnai arba ilgą laiko tarpą, reguliariai darykite pertraukas, kad nesusižeistumėte dėl vibracijų.

## Darbo sauga



**PERSPĖJIMAS:** Prieš naudodami gaminį, perskaitykite toliau esančius įspėjimus.

- Šį gaminį naudokite norėdami pakloti roboto vejąplovės kontūro kabelį ir gido kabelį į žemę. Nenaudokite gaminio kitiems darbams.
- Naudokite asmenines apsaugines priemones. Žr. *Asmeninės apsauginės priemonės psl. 231*.
- Įsitikinkite, kad žinote, kaip greitai sustabdyti variklį nelaimės atveju.
- Nenaudokite gaminio lietuje arba drėgnoje aplinkoje. Į gaminį patekus vandens, padidėja elektros smūgio pavojus.
- Nenaudokite gaminio tinkamai neuždengę grąžto ir neuždėję kitų dangčių. Netinkamai uždėtas grąžtas gali atsilaisvinti ir sužeisti.
- Prieš naudodami gaminį nuo darbo zonos pašalinkite tokius objektus, kaip šakos, šakelės ir akmenys.
- Atsitrenkę į kabelio klojimo įrangą, objektai gali atšokti ir sužeisti asmenis bei sugadinti daiktus. Šalia esantiems asmenims ir gyvūnams būtina laikytis saugaus atstumo nuo gaminio.
- Gaminio niekuomet nenaudokite blogu oru, pvz., kai pakyla rūkas, lyja, pučia stiprus vėjas, stipriai šąla ir gali žaibuoti. Darbas gaminiu blogu oru arba drėgnoje ar šlapiose vietose yra varginantis. Blogu oru gali susidaryti pavojingos sąlygos, pvz., slidūs paviršiai.
- Saugokitės asmenų, daiktų ir tam tikrų situacijų kurios gali neleisti saugiai naudoti gaminio.
- Saugokitės kliūčių, pvz., šaknų, akmenų, šakelių, duobių ir griovių. Aukštoje žolėje kliūtys gali būti nematomos.
- Nenaudokite gaminio, jei šlaitas yra statesnis nei 15°.

## Naudojimo saugos instrukcijos

Prieš naudodami gaminį, perskaitykite toliau pateiktas instrukcijas.

- Patikrinkite, ar nepažeistas kabelis ties kabelio kreiptuvu.

- Patikrinkite, ar nepažeistas tiekimo briaunos vamzdelis. Pakeiskite vamzdelį, jei jis sudilęs ar pažeistas.

(Pav. 16)

- Įsitinkinkite, kad kraštas aplink angą nėra aštrus ar pažeistas. Jei pažeistas, kabelio kreiptuvą pakeiskite.
- Įsitinkinkite, kad visi varžtai priveržti.
- Įsitinkinkite, kad visos svirtys yra nustatytos į neutralią padėtį.

## Asmeninės apsauginės priemonės



**PERSPĖJIMAS:** Prieš naudodami gaminį, perskaitykite toliau esančius įspėjimus.

- Asmeninės apsauginės priemonės nepadės visiškai išvengti pavojaus susižeisti, tačiau nelaimingo atsitikimo atveju mažiau nukentėsite. Leiskite prekybos atstovui padėti pasirinkti tinkamą įrangą.
- Avėkite patvarius, neslystančius batus. Neavėkite atvirų batų ir nebūkite basi.
- Dėvėkite storas, ilgas kelnes.
- Kai būtina, pvz., montuojant, apžiūrint arba valant kabelio klojimo įrangą, užsimaukite apsaugines pirštines.
- Rekomenduojame naudoti apsaugines ausines.

## Gaminio apsauginės priemonės



**PERSPĖJIMAS:** Prieš naudodami gaminį, perskaitykite toliau esančius įspėjimus.

- Nenaudokite gaminio su saugos įtaisais, kurie yra pažeisti arba tinkamai neveikia.
- Nepašalinkite ir nemodifikuokite gaminio apsauginių priemonių.
- Reguliariai tikrinkite apsaugines priemones. Jei saugos įtaisai pažeisti arba tinkamai neveikia, kreipkitės į Husqvarna techninės priežiūros atstovą.

## Apsauginis raktelis

Apsauginis raktelis yra po akumulatoriaus gaubtu. Apsauginis raktelis prijungia akumuliatorių, kuris tiekia varikliui energiją.

## Apsauginio raktelio patikra

Apsauginis raktelis prijungia akumuliatorių, kuris tiekia varikliui energiją.

- Paleidžia ir sustabdo variklį. Jei apsauginis raktelis veikia tinkamai, variklį galima paleisti tik įstačius raktelį į apsauginę spynelę.

## Grąžto naudojimo lankas

Grąžto naudojimo lankas sustabdo grąžtą. Atleidus grąžto naudojimo lanką, grąžtas sustoja.

Norėdami patikrinti grąžto naudojimo lanką, paleiskite variklį ir atleiskite grąžto naudojimo lanką. Jei grąžtas per 3 sekundes nesustoja, pasikonsultuokite su patvirtintu Husqvarna techninės priežiūros atstovu.

(Pav. 17)

## Akumuliatorių naudojimo sauga



**PERSPĖJIMAS:** Prieš naudodami gaminį, perskaitykite toliau esančius įspėjimus.

- Kaip susijusių „Husqvarna“ gaminių maitinimo šaltinį naudokite tik „Husqvarna“ įkraunamus akumuliatorius. Kad išvengtumėte sužeidimų, nenaudokite akumulatoriaus kaip kitų gaminių maitinimo šaltinio.
- Nenaudokite neįkraunamų akumuliatorių.
- Elektros smūgio pavojus. Nejunkite akumulatoriaus gnybtų prie raktų, monetų, atsuktuvų ar kitų metalinių daiktų. Galite sukelti akumulatoriaus trumpąjį jungimą.
- Nekiškite objektų į akumulatoriaus oro angas.
- Saugokite akumuliatorių nuo tiesioginių saulės spindulių, karščio ar atviros ugnies. Akumulatorius gali sprogti ir sukelti terminius ir (arba) cheminius nudegimus.
- Saugokite akumuliatorių nuo lietaus ir drėgmės.
- Saugokite akumuliatorių nuo mikrobangų ir aukšto slėgio.
- Nebandykite akumulatoriaus išmontuoti ar sulaužyti.
- Jei iš akumulatoriaus teka skystis, saugokite nuo jo kūną ir akis. Jei palietėte skystį, gerai nuplaukite šią vietą vandeniu ir kreipkitės pagalbos į medikus.
- Akumuliatorių gaminyje naudokite tik kai aplinkos temperatūra yra nuo 5 °C iki 40 °C.
- Akumulatoriaus įkroviklį naudokite tik kai aplinkos temperatūra yra nuo 5 °C iki 40 °C.
- Jei akumulatoriaus temperatūra yra didesnė nei 50 °C, jo nepavyks įkrauti.
- Nevalykite akumulatoriaus ar įkroviklio vandeniu. Žr. *Akumulatoriaus ir akumuliatorių įkroviklio valymas psl. 237.*
- Sugadinto akumulatoriaus nenaudokite.
- Laikykite akumuliatorių atokiau nuo metalinių daiktų, pavyzdžiui, vinių, monetų, juvelyrinių dirbinių.

## Įkroviklio sauga



**PERSPĖJIMAS:** Prieš naudodami gaminį, perskaitykite toliau esančius įspėjimus.

- „Husqvarna“ pakaitiniam akumuliatoriui įkrauti naudokite tik QC akumuliatorių įkroviklius.
- Elektros smūgio ar trumpojo jungimo pavojus. Nekiškite objektų į įkroviklio oro angas. Nebandykite išmontuoti akumulatoriaus įkroviklio. Neprijunkite

įkroviklio gnybtų prie metalinių daiktų. Naudokite patvirtintą elektros tinklo lizdą.

- Šis gaminys veikdamas sukuria elektromagnetinį lauką. Tam tikromis aplinkybėmis šis laukas gali trikdyti aktyviųjų arba pasyviųjų medicininių implantų veiklą. Kad sumažėtų sunkauso ar netgi mirtino sužeidimo pavojus, medicininių implantų turintiems asmenims rekomenduojame prieš naudojant šį gaminį pasitarti su gydytoju ir implanto gamintoju.
- Nuolat patikrinkite akumuliatoriaus įkroviklio maitinimo laidą, ar jis nepažeistas ir nėra įtrūkimų.
- Nekeikite akumuliatoriaus įkroviklio už maitinimo laido. Norėdami atjungti akumuliatoriaus įkroviklį nuo elektros lizdo, traukite už kištuko. Netraukite už elektros laido.
- Maitinimo laidą ir ilginamuosius kabelius saugokite nuo vandens, alyvos ir aštrių kampų. Būkite atidūs, kad kabelio neprispaustų durys, tvoros ar pan. Priešingu atveju įkrovikliu gali imti tekėti elektros srovė.
- Nevalykite akumuliatoriaus įkroviklio vandeniu.
- Akumuliatoriaus įkroviklį gali naudoti vaikai nuo 8 metų amžiaus ir kiti asmenys su robotais fiziniiais, jutiminiais ar protiniais sugebėjimais, arba stokojantys patirties ar žinių, jei yra prižiūrimi arba instruktuoti dėl saugaus akumuliatoriaus įkroviklio naudojimo ir supranta gresiančius pavojus. Vaikams su akumuliatoriaus įkrovikliu žaisti negalima. Be priežiūros vaikai neturėtų valyti prietaiso ir atlikti naudotojo priežiūros darbų.
- Akumuliatorių įkrovikliu nekraukite neįkraunamų akumuliatorių.
- Nenaudokite akumuliatoriaus įkroviklio šalia degių arba koroziją sukeliančių medžiagų. Neuždenkite įkroviklio. Pastebėję dūmus ar liepsną, ištraukite akumuliatoriaus įkroviklio kištuką.
- Nenaudokite sugadinto akumuliatoriaus įkroviklio.

- Įkraukite akumuliatorių tik viduje, gerai vėdinamoje patalpoje, saugodami nuo saulės spindulių. Nekraukite akumuliatoriaus drėgnomis sąlygomis.

## Priežiūros saugos instrukcijos



**PERSPĖJIMAS:** Prieš naudodami gaminį, perskaitykite toliau esančius įspėjimus.

- Prieš atlikdami gaminio priežiūros darbus, ištraukite apsauginį raktelį.
- Kad gaminys tarnautų ilgiau ir sumažėtų nelaimingų atsitikimų pavojus, tinkamai atlikite priežiūros darbus. Profesionalius remonto darbus leiskite atlikti patvirtintam techninės priežiūros atstovui. Jei reikia daugiau informacijos, kreipkitės į artimiausią techninės priežiūros atstovą.
- Atlikite tik naudojimo instrukcijoje nurodytus techninės priežiūros darbus.
- Liesdami kabelio klojimo įrangą, apsimaukite pirštines sunkiam darbui.
- Kad darbas vyktų saugiai ir efektyviai, pasirūpinkite gaminio švara.
- Leiskite savo techninės priežiūros atstovui reguliariai tikrinti gaminį ir atlikti reikiamus nustatymo ir remonto darbus.
- Pakeiskite pažeistas, sulūžusias arba susidėvėjusias dalis.
- Laikykitės priedų keitimo nurodymų. Naudokite tik gamintojo priedus.
- Kai nenaudojate, laikykite gaminį, akumuliatorių ir akumuliatoriaus įkroviklį atskirai, sausoje užrakintoje patalpoje. Pasirūpinkite, kad vaikai ir pašaliniai asmenys negalėtų pasiekti gaminio, akumuliatoriaus ar akumuliatoriaus įkroviklio.

## Surinkimas

### Įvadas



**PERSPĖJIMAS:** Prieš surinkdami gaminį perskaitykite ir supraskite skyrių apie saugą.

### Gražto montavimas

1. Įstatykite gražtą (A) į gražto galvutę (B) ir įsukite ilgą varžtą (C). (Pav. 18)

**Pasižymėkite:** Norint įtaisyti gražtą, reikalingas 6 mm šešiabriaunis raktas.

2. Įtaisykite gražto galvutę ant veleno (D) priverždami trumpu varžtu (E).
3. Priveržkite varžtus.

### Kabelio montavimas

Gaminyje įrengtas kabelio vyniotuvas su sankaba, kurį galima išimti.

1. Uždėkite kabelį ant kabelio vyniotuvo. Sukdami rankenėlę sukite kabelio vyniotuvą pagal laikrodžio rodyklę.

**Pasižymėkite:** Kabelį ant kabelio vyniotuvo reikia uždėti pagal laikrodžio rodyklę, kad naudojant jis būtų išvyniojamas tolygiai. (Pav. 19)

2. Spauskite kabelį į tiekimo briaunos (A) vamzdelį, kol pro apatinę dalį (B) pasirodys maždaug 5 cm galas. (Pav. 20)

### Kabelio vyniotuvo uždėjimas ir nuėmimas

1. Atsukite rankenėlę (A). (Pav. 21)
2. Nuimkite fikساتorių (B).



3. Nuimkite kabelio vyniotuvą (C).
4. Uždėkite kabelio vyniotuvą (D). Jei reikia, naudokite adapterį. (Pav. 22)
5. Uždėkite fiksatorių (E) ir priveržkite rankenėlę (F).

## Naudojimas

### [vadas



**PERSPĖJIMAS:** Prieš naudodami gaminį perskaitykite ir supraskite saugos skyriaus informaciją.

### Husqvarna Fleet Services™

Husqvarna Fleet Services™ yra debesijos sprendimas, suteikiantis operatoriui galimybę peržvelgti visus prijungus gaminius. Gaminyje galima įrengti Husqvarna Fleet Services™ jutiklį. Husqvarna Fleet Services™ jutiklis kaupia gaminio duomenis ir leidžia prisijungti prie Husqvarna Fleet Services™ sistemos. Husqvarna Fleet Services™ sistema teikia duomenis, pavyzdžiui, gaminio eksploatavimo trukmę, techninės priežiūros intervalus ir vietą.

Norėdami daugiau sužinoti apie Husqvarna Fleet Services™, atsisiųskite Husqvarna Fleet Services™ programėlę arba kreipkitės į Husqvarna atstovą.

### Jutiklio paruošimas (priedas)

1. Atidarykite jutiklio dangtį jutiklio raktu. (Pav. 23)
2. Nuimkite jutiklį.
3. Prijunkite akumuliatorių prie jutiklio. [išižiebta jutiklio lemputė. (Pav. 24)
4. Atsisiųskite programėlę „Husqvarna Fleet Services™“.
5. Prisijunkite prie programėlės Husqvarna Fleet Services™.
6. Susiekite. Žr. *Programėlės ir gaminio susiejimo operacija psl. 233*

### Programėlės ir gaminio susiejimo operacija

1. Prisijunkite prie programėlės Husqvarna Fleet Services™.
2. Programėlėje pasirinkite savo gaminį.
3. Nuskaitykite kodą už jutiklio mobiliuoju įrenginiu, kad įdiegtumėte jutiklį programėlėje.

**Pasižymėkite:** Programėlės ir gaminio susiejimo operaciją pakanka atlikti vieną kartą.

### Jutiklio diegimas

1. Įsitinkinkite, kad jutiklis susietas su programėle Husqvarna Fleet Services™. Žr. *Programėlės ir gaminio susiejimo operacija psl. 233*.
2. Pragręžkite 2 angas ties gaubto lizdo žymėmis. (Pav. 25)

**Pasižymėkite:** Įsitinkinkite, kad angos vienodo skersmens kaip prie jutiklio pridėtos kniedės.

3. Replėmis nuimkite išorines jutiklio lizdo angas. (Pav. 26)
4. Pragręžkite 2 angas ties jutiklio lizdo žymėmis. (Pav. 27)
5. Sulygiuokite jutiklio lizdą su gaubto lizdu. (Pav. 28)
6. Pritvirtinkite jutiklį kniedėmis.
7. Įstatykite jutiklį į jutiklio lizdą. Sulygiuokite baltą jutiklio žymę su jutiklio lizdo žyme. (Pav. 29)
8. Uždarykite jutiklio dangtį ir užrakinkite jutiklio raktu. Įsitinkinkite, kad Husqvarna „H“ viršus nukreiptas nuo saugos raktelio. (Pav. 30)

### Akumuliatorius



**PERSPĖJIMAS:** Prieš naudodami akumuliatorių perskaitykite ir supraskite saugos skyriaus informaciją. Taip pat turite perskaityti ir suprasti akumuliatoriaus bei akumuliatoriaus įkroviklio naudojimo instrukcijas.

Akumuliatorių ir akumuliatoriaus įkroviklį laikykite tinkamoje aplinkos temperatūroje.

	Aplinkos temperatūra
Akumuliatoriaus veikimas	5–40 °C
Akumuliatoriaus įkrovimas	5–40 °C

### Akumuliatoriaus būseną

Ekrane rodoma likusi akumuliatoriaus talpa ir galimos akumuliatoriaus problemos. Akumuliatoriaus talpa rodoma 5 sekundes po gaminio išjungimo arba po akumuliatoriaus indikatorius mygtuko paspaudimo. Akumuliatoriaus įspėjimo simbolis užsidega, kai įvyksta klaida. Žr. *Akumuliatorius psl. 238*

(Pav. 31)

Šviesos diodai	Akumuliatoriaus būseną
Šviečia visi diodai	Visiškai įkrautas (75–100 %)
Šviečia 1, 2 ir 3 diodai	Akumuliatorius įkrautas 50–75 %

Šviesos diodai	Akumuliatoriaus būseną
Šviečia 1, 2 diodai	Akumuliatorius įkrautas 25–50 %
Šviečia 1 diodas	Akumuliatorius įkrautas 0–25 %
Mirksi 1 diodas	Akumuliatorius tuščias. Įkraukite akumuliatorių.

## Akumuliatoriaus įkrovimas

Prieš naudodami pirmą kartą, akumuliatorių įkraukite. Klientui pateikiamas akumuliatorius yra įkrautas tik 30 %.

**Pasižymėkite:** Akumuliatorių įkroviklių būtina prijungti prie parametrų plokštelėje nurodytos įtampos ir dažnio maitinimo lizdo.

Akumuliatorius neįkraunamas, jei jo temperatūra aukštesnė nei 50 °C. Prieš pradėdamas įkrauti, akumuliatoriaus įkroviklis sumažina akumuliatoriaus temperatūrą.

1. Prijunkite vieną akumuliatoriaus įkroviklio maitinimo laido galą prie akumuliatoriaus įkroviklio lizdo.
2. Prijunkite kitą akumuliatoriaus įkroviklio maitinimo laido galą prie įžeminto elektros lizdo. Akumuliatoriaus įkroviklio LED indikatorius vieną kartą sumirksės žaliai. (Pav. 32)
3. Akumuliatorių įstatykite į įkroviklį. Prijungus akumuliatorių prie akumuliatoriaus įkroviklio, įkroviklyje įsižiebia žalia lemputė. (Pav. 33)
4. Įsižiebus visiems akumuliatoriaus LED indikatoriams, akumuliatorius yra visiškai įkrautas. Akumuliatorių kraukite daugiausia 24 valandas.
5. Norėdami atjungti akumuliatoriaus įkroviklį nuo elektros lizdo, traukite už kištuko, o ne už maitinimo laido.
6. Iš įkroviklio išimkite akumuliatorių.

## Akumuliatoriaus įkrovimo būseną

„Husqvarna“ ličio jonų akumuliatorius galima įkrauti ir naudoti nepaisant jų įkrovimo lygio. Akumuliatorius nepažeistas. Visiškai įkrautas akumuliatorius nepraras savo krūvio jį palikus įkroviklyje.

LED ekranas	Įkrovimo būseną
Mirksi 1 diodas	0–25 %
1 diodas mirksi, 2 šviečia	25–50 %
1, 2 diodas šviečia, 3 mirksi	50–75 %
1, 2, 3 diodai šviečia, 4 mirksi	75–100 %

LED ekranas	Įkrovimo būseną
Šviečia 1, 2, 3, 4 šviesos diodai	Visiškai įkrautas

## Prieš naudodami gaminį

1. Jei darbus atliekate vasarą arba žemė sausa, dieną prieš naudodami žemę palaistykite.
2. Pasirūpinkite, kad žmonės, gyvūnai būtų atsitraukę nuo gaminio bent 20 m atstumu.
3. Uždėkite kabelį ant kabelio vyniotuvo. Žr. *Kabelio montavimas psl. 232.*
4. Sureguliuokite kabelio klojimo gylį. Žr. *Kabelio klojimo gylio reguliavimas psl. 234.*
5. Kabelio galą pritvirtinkite prie kuoliuko.

## Gaminio paleidimas

1. Pakreipkite rankeną į šoną. Žr. *Rankenos pakreipimas psl. 235.*
2. Atidarykite akumuliatoriaus gaubtą.
3. Įstatykite įkrautą akumuliatorių į 1 akumuliatoriaus lizdą po akumuliatoriaus gaubtu. Jei norėsite dirbti ilgiau, įstatykite antrą įkrautą akumuliatorių į 2 akumuliatoriaus lizdą.
4. Atjunkite saugos raktelį nuo saugos raktelio laikiklio.
5. Įspauskite saugos raktelį į saugos spynelę. (Pav. 34)
6. Stovėkite už gaminio.
7. Valdymo skydelyje nuspauskite stovėjimo mygtuką (A). Užsideda stovėjimo režimo lemputė (B). (Pav. 35)
8. Spauskite paleidimo / stabdymo mygtuką (C), kol jis liks įspausstas. Bus paleistas variklis.



**PASTABA:** Nenaudokite gaminio, jei įspėjimo lemputė (D) mirksi raudonai.

9. Patraukite gražto naudojimo lanką rankenos kryptimi, kad įjungtumėte gražtą. (Pav. 36)

## Ratų pavaros naudojimas

- Patraukite pavaros valdymo lanką (A) link gaminio rankenos, kad įjungtumėte ratų pavarą. (Pav. 37)
- Atleiskite pavaros valdymo lanką, kad išjungtumėte ratų pavarą.

## Kabelio klojimo gylio reguliavimas

1. Atsukite rankenėlę (A). (Pav. 38)
2. Sureguliuokite atraminį ratą (B) pagal reikiamo kabelio klojimo gylį ir priveržkite rankenėlę.

**Pasižymėkite:** Skaiciais (C) ant atraminio rato vamzdžio šono nurodomas kabelio klojimo gylis

centimetrais. Kabelio klojimo gylį galima sureguliuoti tarp 1–6 cm.

## Rankenų aukščio reguliavimas

Rankenos aukštį galima nustatyti į 5 skirtingas padėtis.

1. Pasukite rankeną (A) prieš laikrodžio rodyklę, kad atlaisvintumėte, ir nuimkite rankenėlę (B). (Pav. 39)
2. Sureguliuokite rankenos aukštį ir įstatykite rankenėlę į artimiausios padėties angą.
3. Pasukite rankeną pagal laikrodžio rodyklę, kad priveržtumėte.

## Rankenos pakreipimas

Rankeną galite pakreipti, kad dirbant gaminiu apsisaugotumėte nuo kliūčių smūgių. Dešinėje ir kairėje pusėje rankeną galima pakreipti 4 padėtimis.

1. Iki galo patraukite rankenos pakreipimo lanką (A) rankenos kryptimi ir laikykite. Rankenos pakreipimo lankas yra apatinėje kairėje rankenos pusėje. (Pav. 40)
2. Rankeną pakreipkite į 1–4 padėtis kairėje arba dešinėje pusėje ir atleiskite rankenos pakreipimo lanką. Įsitinkinkite, kad rankenos padėtį užfiksuojaantis kaištis yra įstatytas į vieną iš angų. (Pav. 41)

## Tiekimo briaunos sukamosios funkcijos užfiksavimas

Norėdami padidinti krypties parinkimo tikslumą tiesdami kabelį ilgomis tiesiomis dalimis, tiekimo briaunos sukamąją funkciją galite užfiksuoti.

- Įsitinkinkite, kad tiekimo briauna yra nustatyta ta pačia kryptimi, kaip ir gaminyje, ir priveržkite rankeną (A). (Pav. 42)

## Kabelio kreiptuvo reguliavimas

Gaminys sureguliuotas darbui su 4 mm kabeliais. Jei kabelio skersmuo didesnis, kabelio kreiptuvą reikia sureguliuoti.

1. Atsukite 2 varžtus. (Pav. 43)
2. Perkelkite kabelio kreiptuvą į viršų penkiaus milimetrais.
3. Priveržkite abu varžtus.

## Vėžės pločio reguliavimas

Ratų padėtį galima sureguliuoti pagal skirtingo pločio vėžes. Kairės ir dešinės pusės ašyse yra 4 reguliavimo angos. Vėžės plotį galima nustatyti ties 250, 270, 290 arba 310 mm atstumu nuo grąžto vidurio. (Pav. 44)

1. Ištraukite kaištį (A).
2. Sureguliuokite ratus pagal reikiamo pločio vėžę.
3. Ištraukite kaištį iš vienos iš 4 ašies angų (B),

4. Užfiksokite saugos spyruoklę.

## Darbo pradžia

Kai kabelis ir grąžtas sumontuoti, naudotojas turi pritvirtinti kabelį prie žemės.

1. Įkalkite į žemę kuoliuką.
2. Pritvirtinkite kabelio dalį, išsikišančią iš kabelio kreiptuvo apacios, prie kuoliuko.

## 2 kabelių kreiptuvo naudojimas

Jei gaminyje išvažiuoja iš už darbo zonos išorinio perimetro, reikia įdėti 2 kabelius vienu metu.

1. Užarkite 1 kabelį palei visą perimetrą. Žr. (A) ir (B) pav. (Pav. 45) (Pav. 46)
2. Atsidūrę (C) pav. parodytame taške, atraminį ratą nustatykite į aukščiausią padėtį, kad ištrauktumėte iš žemės tiekimo briauną. Pritvirtinkite kabelį su kuoliuku ir toliau tuos pačius veiksmus atlikite su kabeliu, esančiu virš žemės, kol atsidursite kitame taške. (Pav. 47)
3. Pritvirtinkite kabelį su kuoliuku (D) pav. parodytame taške. (Pav. 48)
4. Įstatykite tiekimo briauną iki tinkamo kabelio klojimo gylio ir toliau užarkite kabelį, kad sukurtumėte salą. Žr. (E) pav. (Pav. 49)
5. Pasiekę tašką, nurodytą (F) pav., ištraukite kuoliuką ir nuvalykite tiekimo briauną. Žr. *Tiekimo briaunos valymas psl. 236*. (Pav. 50)
6. Įstatykite kabelį į kabelio kreiptuvą virš žemės. (Pav. 51)
7. Užarkite 2 kabelius vienu metu iki taško, parodyto (G) pav. 2 kabelius pritvirtinkite prie kuoliuko ir atiškite antrąjį kabelį nuo kabelio kreiptuvo. (Pav. 52)
8. Toliau arkite perimetro kabelį iki (H) pav. parodyto taško. (Pav. 53)

## Gaminio sustabdymas

Gaminys sustabdomas automatiškai, jei nenaudojate jo 3 minučių.

1. Atleiskite pavaros lanką (A), kad išjungtumėte ratų pavarą. (Pav. 37)
2. Atleiskite grąžto naudojimo lanką, kad sustabdytumėte grąžtą. (Pav. 17)
3. Valdymo skydelyje nuspauskite paleidimo / stabdymo mygtuką.
4. Valdymo skydelyje nuspauskite stovėjimo mygtuką.
5. Atidarykite akumuliatoriaus gaubtą.
6. Ištraukite saugos raktelį iš saugos spynelės ir įstatykite į saugos raktelio laikiklį.
7. Nuvalykite tiekimo briauną grandikliu. Žr. *Tiekimo briaunos valymas psl. 236*.

8. Po kiekvieno naudojimo nuvalykite ir sutepkite grąžto galvutę. Žr. *Grąžto galvutės valymas ir sutepimas psl. 237.*

## Techninė priežiūra

### Įvadas



**PERSPĖJIMAS:** Prieš atlikdami priežiūros darbus perskaitykite ir supraskite saugos skyriaus informaciją.

Visiems gaminio techninės priežiūros ir remonto darbams reikia specialių apmokymų. Garantuojame profesionalaus remonto ir techninės priežiūros darbų pasiekiamumą.

Išsamesnės informacijos žr. [www.husqvarna.com](http://www.husqvarna.com).

### Techninės priežiūros grafikas

Techninės priežiūros intervalai apskaičiuojami pagal kasdienį gaminio naudojimą. Intervalai keičiasi, jei gaminys nenaudojamas kasdien.

Informacijos apie techninės priežiūros veiksmus, pažymėtus \*, žr. *Gaminio apsauginės priemonės psl. 231.*

	Kiekvieni- ną kartą naudo- jant	Kas mė- nesį	Kas se- zoną
Atlikite bendrąją apžiūrą.	X		
Įsitikinti, kad gaminio saugos įtaisai nepažeisti*.	X		
Apžiūrėkite grąžtą ir tiekimo briauną.	X		
Patikrinkite grąžto naudojimo lanką*.	X		
Įsitinkite, kad tinkamai veikia ir nepažeistas įjungimo / išjungimo mygtukas.	X		
Patikrinti, ar nepažeistas akumulatorius.	X		
Patikrinti akumulatoriaus įkrovą.	X		
Patikrinti, ar tinkamai veikia akumulatoriaus atlaisvinimo mygtukai ir ar akumu- liatorius užsikisuoja gaminyje.	X		
Nuvalykite variklio oro įsiurbimo angas. Patikrinkite, ar oro įsiurbimo angose neliko žolės ar purvo.	X		
Sutepkite nedažytas dalis.	X		
Sutepkite dalis, nuo kurių nusitrynusi cinko danga.	X		
Nuvalykite ir sutepkite grąžto galvutę.	X		
Nuvalykite tiekimo briauną.	X		
Patikrinti, ar nepažeistas akumulatoriaus įkroviklis, ir įsitikinti, kad jis veikia tin- kamai		X	
Patikrinti jungtis tarp akumulatoriaus ir gaminio. Taip pat patikrinti jungtį tarp akumulatoriaus ir akumulatoriaus įkroviklio.			X

### Tiekimo briaunos valymas

- Grandikliu pašalinkite žemes ir nuvalykite tiekimo briauną. (Pav. 54)

2. Išsukite 2 varžtus (A) ir nuimkite tiekimo briauną (B). (Pav. 55)
3. Sumontuokite naują tiekimo briauną atvirkštine tvarka.

### Tiekimo briaunos keitimas

1. Palenkite gaminį pirmyn ir lėtai padėkite ant žemės.

## Gražto keitimas

1. Nuvalykite nuo gaminio žolę ir purvą.



**PASTABA:** Pasirūpinkite, kad montuojant į gražtą nepatektų nešvarumų ar kitų pašalinių medžiagų.

**Pasižymėkite:** Kaskart po darbo nuvalykite ir sutepkite gražto korpusą.

2. Išsukite trumpą varžtą (A) ir nuimkite gražto galvutę (B) nuo veleno (C). (Pav. 56)

**Pasižymėkite:** Norint pakeisti gražtą, reikalingas 6 mm šešiabriaunis raktas.

3. Išsukite ilgą varžtą (D) ir atkabinkite gražtą (E) nuo gražto galvutės.
4. Į gražto galvutę įstatykite naują gražtą ir įsukite ilgą varžtą.
5. Įtaisykite gražto galvutę ant veleno.
6. Priveržkite varžtus.

## Gražto galvutės valymas ir sutepimas

Kiekvieną kartą baigę darbą gerai nuvalykite gražto galvutę.

1. Palenkite gaminį pirmyn ir lėtai padėkite ant žemės.
2. Minkštu šepetėliu pašalinkite žolę, nešvarumus ir kitas pašalines medžiagas.
3. Suslėgtu oru pašalinkite mažesnes žolės ir nešvarumų daleles.
4. Išsukite varžtus (A) iš gražto galvutės (B) ir išimkite gražtą (C). (Pav. 56)

5. Atsukite 2 varžtus (D) ir išimkite tiekimo briauną (E). (Pav. 57)
6. Išsukite varžtą (F) ir išimkite gražto galvutę (G) iš veleno (H). (Pav. 58)
7. Nuvalykite gaminį suslėgtu oru. Įsitikinkite, kad nuvalėte visus nešvarumus, žolę ir kitas pašalines medžiagas.
8. Jei reikia, naudodami tinkamą tirpiklį nuvalykite nešvarius tepalus.
9. Nuvalykite visus elementus tinkamu tirpikliu ir sutepkite visus komponentus.
10. Sutepkite veleną vandeniui atspariu tepalu. (Pav. 59)

## Akumulatoriaus ir akumulatoriaus įkroviklio valymas



**PERSPĖJIMAS:** Nevalykite akumulatoriaus ar įkroviklio vandeniu.



**PERSPĖJIMAS:** Akumulatoriui valyti nenaudokite jokių cheminių medžiagų.

- Prieš prijungdami akumuliatorių prie įkroviklio, įsitikinkite, kad akumulatorius ir akumulatoriaus įkroviklis yra švarūs ir sausi.
- Nupūskite akumulatoriaus gnybtus suspaustu oru ir nuvalykite švelnia ir sausa šluoste.
- Nuvalykite akumuliatorių ir akumulatoriaus įkroviklį švelnia ir sausa šluoste.

## Gedimai ir jų šalinimas

### Trikčių šalinimas

Jei šiame vadove savo problemos sprendimo nerandate, kreipkitės į „Husqvarna“ techninės priežiūros atstovą.

Problema	Priežastis
Nepavyksta užvesti variklio.	Akumulatorius neįkrautas.
	Akumulatorius įrengtas netinkamai.
	Akumulatorius sugedęs.
	Valdymo skydelis neveikia.
Gražtas nesisuka.	Diržas susidėvėjęs.
	Diržas nusimovė nuo skriemulių.
	Svirtis nepakankamai įtempia diržą.

Problema	Priežastis
Atleidus grąžto naudojimo lanką, grąžtas sukasi toliau.	Grąžto naudojimo lanko lynas susidėvėjęs arba pažeistas.
Gaminys neveikia tinkamai.	Grąžtas susidėvėjęs arba pažeistas.
	Grąžtas įrengtas netinkamai.
Įjungus pavaros rankeną, gaminys nejuda.	Pavaros rankenos lynas susidėvėjęs arba pažeistas.
	Transmisijos diržai susidėvėję.
	Grandinė nutrūkusi arba įtempia nepakankamai.
	Susidėvėję sankabos diskai transmisijos korpuse.
Nepavyksta išimti grąžto galvutės.	Įrenginyje yra pašalinių medžiagų.
	Sistemoje yra oksidų.
Pažeista į žemę pakloto kabelio izoliacija.	Pažeista tiekimo briaunos kabelio lizdo anga.
	Vamzdis, kuriame yra kabelis, ir kuris yra tiekimo briaunos dalis, yra nešvarus.

## Akumulatorius

Akumulatoriaus LED	Priežastis	Sprendimas
Mirksi žalias šviesos diodas.	Akumulatoriaus įtampa žema.	Įkraukite akumuliatorių. žr. <i>Akumulatoriaus įkrovimas psl. 234.</i>
Mirksi klaidos šviesos diodas.	Silpna akumulatoriaus įkrova.	Įkraukite akumuliatorių. žr. <i>Akumulatorius psl. 238.</i>
	Temperatūra darbo aplinkoje per aukšta arba per žema.	Akumuliatorių naudokite nuo $-10\text{ }^{\circ}\text{C}$ iki $40\text{ }^{\circ}\text{C}$ temperatūroje.
	Viršįtampis.	Įsitikinkite, kad maitinimo tinklo įtampa atitinka gaminio duomenų lentelėje nurodytą įtampą. Iš įkroviklio išimkite akumuliatorių. Palaukite 5 sekundes ir vėl pabandykite įkrauti akumuliatorių. Jei problema išlieka, pasikonsultuokite su patvirtintu techninės priežiūros atstovu.
Šviečia klaidos šviesos diodas.	Elementų skirtumas per didelis (1 V).	Kreipkitės į patvirtintą techninės priežiūros atstovą.

## Akumulatoriaus įkroviklis

Akumulatoriaus įkroviklio LED	Priežastis	Sprendimas
Mirksi klaidos šviesos diodas.	Temperatūra darbo aplinkoje per aukšta arba per žema.	Akumulatoriaus įkroviklį naudokite nuo 5 °C iki 40 °C temperatūroje.
Šviečia klaidos šviesos diodas.		Kreipkitės į patvirtintą techninės priežiūros atstovą.

## Valdymo skydelis

Klaidos kodas (sumirkėjimų skaičius)	Galimi gedimai	Galima procedūra
5	Variklio greitis per daug sumažėja ir variklis sustoja.	Nuvalykite kabelio galvutę ir sumažinkite kabelio klojimo gylį. Žr. <i>Grąžto galvutės valymas ir sutepimas psl. 237</i> ir <i>Kabelio klojimo gylio reguliavimas psl. 234</i> . Jeigu klaida išlieka, kreipkitės į patvirtintą techninės priežiūros atstovą.
8	Silpna akumulatoriaus įkrova.	Įkraukite akumuliatorių. Žr. <i>Akumulatoriaus įkrovimas psl. 234</i> .
9	Akumulatoriaus klaida arba nėra akumulatoriaus signalo.	Tinkamai įstatykite akumuliatorių į gaminį ir patikrinkite akumulatoriaus jungtį. Jei akumulatoriaus klaidos diodas mirksi, žr. <i>Akumulatorius psl. 238</i> .
10	Per daug įkaitęs variklio valdiklis.	Išjunkite variklį ir palaukite, kol jis atvės.
Kitos klaidos	Jei atsiranda kitų klaidų, ištraukite apsauginį raktelį, išimkite akumuliatorių ir kreipkitės į patvirtintą techninės priežiūros atstovą.	

## Transportavimas, saugojimas ir utilizavimas

### Įvadas



**PERSPĖJIMAS:** Kad išvengtumėte netyčinio paleidimo transportavimo metu, ištraukite apsauginį raktelį, išimkite akumuliatorių ir palaukite mažiausiai 5 sekundes.

- Transportavimo metu visuomet išimkite akumuliatorių.
- Ant akumulatoriaus jungčių užklijuokite izoliacinę juostą ir įsitikinkite, kad transportuojant akumulatorius nejudės.
- Transportuodami gaminį, jį pritvirtinkite.

### Laikymas

### Transportavimas

- Įdėtiems ličio jonų akumuliatoriams taikomos pavojingų krovinių gabenimo taisyklės.
- Jeigu krovins gabenamas komerciniu transportu, būtina laikytis specialių reikalavimų dėl pakavimo ir žymėjimo.
- Ruošdamiesi gaminį transportuoti, užtikrinkite, kad būtų laikomasi pavojingų medžiagų tvarkymo taisyklių. Gali būti taikomi vietos teisės aktai.

- Prieš sandėliuodami, leiskite gaminiai atvėsti.
- Sandėliuodami visuomet išimkite akumuliatorių.
- Kad išvengtumėte nelaimingų atsitikimų, įsitikinkite, jog akumuliatorius sandėliuojant nėra prijungtas prie gaminio.
- Akumulatoriaus įkroviklį laikykite uždaroje ir sausoje aplinkoje.
- Akumuliatorių ir akumulatoriaus įkroviklį laikykite sausoje ir šiltoje vietoje.

- Sandėliuodami atjunkite akumuliatorių nuo akumuliatoriaus įkroviklio.
- Nelaikykite akumuliatoriaus tokioje vietoje, kur gali susidaryti statinis krūvis. Nelaikykite akumuliatoriaus metalinėje dėžutėje.
- Gaminį saugokite vietoje, kurios aplinkos temperatūra yra nuo  $-10\text{ }^{\circ}\text{C}$  iki  $40\text{ }^{\circ}\text{C}$ .
- Akumuliatorių laikykite vietoje, kurios aplinkos temperatūra yra nuo  $5\text{ }^{\circ}\text{C}$  iki  $25\text{ }^{\circ}\text{C}$  ir kurios nepasiekia tiesioginiai saulės spinduliai.
- Akumuliatoriaus įkroviklį laikykite vietoje, kurios aplinkos temperatūra yra nuo  $5\text{ }^{\circ}\text{C}$  iki  $45\text{ }^{\circ}\text{C}$  ir kurios nepasiekia tiesioginiai saulės spinduliai.
- Prieš sandėliuodami ilgesnį laiką pasirūpinkite, kad akumuliatorius būtų įkrautas 30–50 %.
- Gaminį, akumuliatorių ir akumuliatoriaus įkroviklį laikykite rakinamoje patalpoje, kur jų negalėtų pasiekti vaikai ir pašaliniai asmenys.
- Nuvalykite gaminį.
- Atlikite naudojimo instrukcijoje nurodytas technines priežiūros procedūras. Žr. *Techninės priežiūros grafikas psl. 236*.

- Prieš sandėliuodami gaminį ilgesnį laiką, atlikite visus technines priežiūros darbus.

## Utilizavimas

Ant gaminio ar ant jo pakuotės pateikti simboliai rodo, kad šio gaminio negalima išmesti kartu su buitinėmis atliekomis. Įrenginį reikia atiduoti į atitinkamą perdirbimo įmonę, kuri utilizuotų elektrines ir elektronines dalis.

Rūpindamiesi, kad šis gaminys būtų tvarkomas teisingai, padėsite išvengti galimo neigiamo poveikio aplinkai ir žmonėms, kurį gali sukelti netinkamas šio gaminio atliekų tvarkymas. Jei reikia daugiau informacijos apie šio gaminio perdirbimą, kreipkitės į savivaldybę, buitinių atliekų tvarkymo tarnybą arba parduotuvę, kurioje įsigijote gaminį.

(Pav. 60)

## Techniniai duomenys

<b>Gręžimo variklis</b>	
Variklio tipas	BLDC (be šepetėlių) 36 V
Variklio greitis – vardinis, aps./min.	3000/min
Variklio greitis – didelė apkrova, aps./min.	3300/min
Variklio galingumas – maksimalus, kW	1,8
Variklio galingumas – vardinis, kW	1,2
Transmisija	Mechaninė pavarų dėžė su alyvos karteriu
Sankaba	Diržinė su skriemuliu
<b>Svoris</b>	
Svoris be akumuliatoriaus, kg	39
Svoris su 2 vnt. „BLi300“, kg	43
<b>Akumuliatorius</b>	
Akumuliatoriaus tipas	Husqvarna Akumuliatoriaus serija
<b>Akumuliatoriaus veikimo laikas</b>	
Akumuliatoriaus naudojimo trukmė, min. <sup>53</sup>	38
<b>Skleidžiamas triukšmas</b> <sup>54</sup>	
Garso galios lygis, išmatuotas $L_{WA}$ dB (A)	84

<sup>53</sup> Laisvoji eiga, išmatuota esant suaktyvintam standartiniam režimui ir naudojant 1 „Husqvarna“ 9,4 Ah akumuliatorių („BLi300“).

<sup>54</sup> Triukšmas, skleidžiamas į aplinką, išmatuotas kaip garso galia ( $L_{WA}$ ) pagal EB direktyvą 2000/14/EB.



Garso galios lygis, garantuojamas $L_{WA}$ dB (A)	86
<b>Garso lygiai</b> <sup>55</sup>	
Naudotojo ausį veikiantis garso slėgis, dB (A)	66
<b>Vibracijos lygiai</b> <sup>56</sup>	
Rankena $m/s^2$	1,8
<b>Kabelio klojimo įranga</b>	
Kabelio klojimo gylis, cm	1–6
Atstumas tarp grąžto ir rato krašto, mm	250, 270, 290, 310
Grąžtas	597 04 84-01

Patvirtinti akumulatoriai	Gamintojas	Tipas	Akumuliatoriaus talpa, Ah	Įtampa, V	Svoris, svar. / kg
BLi300	Husqvarna	Ličio jonų	9,4	36	4,1 / 1,9

Patvirtinti įkrovikliai nurodytiems akumulatoriams, BLi	Gamintojas	Įvado įtampa, V	Dažnis, Hz	Galia, W
QC500	Husqvarna	100–240	50–60	500

<sup>55</sup> Pateikiamų triukšmo slėgio duomenų būdingoji statistinė sklaida (standartinis nuokrypis) lygi 1,2 dB (A).

<sup>56</sup> Pateiktuose vibracijos lygio duomenyse yra 0,2  $m/s^2$  tipiška statistinė sklaida (standartinis nuokrypis). Vibracijos standartas EN 1032+A1:2009.

# Atitikties deklaracija

## ES atitikties deklaracija

Mes, **Husqvarna AB**, SE-561 82 Huskvarna, Švedija, tel.  
+46-36-146500, atsakingai patvirtiname, kad gaminy:

<b>Aprašymas</b>	Kabelio klotuvas
<b>Gamintojas</b>	Husqvarna
<b>Tipas / modelis</b>	CL400i
<b>Identifikacijos numeris</b>	Serijos numeriai nuo šios datos: 2022 ir vėlesni

visiškai atitinka šias ES direktyvas ir reglamentus:

<b>Reglamentas</b>	<b>Aprašymas</b>
2006/42/EB	„dėl mašinų“
2014/30/ES	„dėl elektromagnetinio suderinamumo“
2011/65/ES	„dėl tam tikrų pavojingų medžiagų naudojimo elektros ir elektroninėje įrangoje apribojimo“

ir kad laikomasi šių standartų ir (arba) techninių specifikacijų: EN ISO 12100:2010, EN ISO 14119:2013, EN ISO 14120:2015, EN ISO 13857:2019, EN 62841-1:2015+AC:2015, EN ISO 11202:2010, EN 1032:2009, EN 55014-1:2017, EN 55014-2:2015, EN 63000:2018.

Daugiau informacijos apie triukšmo emisiją žr. *Techniniai duomenys psl. 240.*

Huskvarna, 2022-03-21



Claes Losdal, plėtros vadovas / sodo gaminiai,  
„Husqvarna AB“,

Atsakingas už techninę dokumentaciją



---

## Saturs

---

Ievads.....	243	Problēmu novēršana.....	254
Drošība.....	244	Pārvadāšana, glabāšana un utilizēšana.....	256
Montāža.....	248	Tehniskie dati.....	256
Lietošana.....	249	Atbilstības deklarācija.....	258
Apkope.....	252		

---

## Ievads

---

### Izstrādājuma apraksts

Izstrādājums ir gājēja vadāms kabeļu guldītājs.

robotizētajiem zāles plāvējiem. Nelietojiet izstrādājumu citiem uzdevumiem.

### Paredzētā lietošana

Izmantojiet šo izstrādājumu, lai guldītu zemē norobežojošos kabeļus un vadošos kabeļus

### Izstrādājuma pārskats

(Att. 1)

1. Urbja vadības rokturis
2. Sasvēršanas rokturis
3. Piedziņas rokturis
4. Skaitītājs
5. Kabeļa tinējs
6. Padeves riba
7. Urbis
8. Vadības pults
9. Drošības atslēga
10. Akumulators (piederums)
11. Akumulatora lādētājs (piederums)
12. Lietotāja rokasgrāmata

(Att. 10) Gaidstāves režīms (melnā poga).

(Att. 10) Motora iedarbināšana un apturēšana (sarkanā poga).

(Att. 11) Izstrādājums vai iepakojums nav sadzīves atkritumi. Utilizējiet to elektrisko un elektronisko ierīču pārstrādes uzņēmumā.

(Att. 12) Šis izstrādājums atbilst piemērojamo EK direktīvu prasībām.

(Att. 13) Šis izstrādājums atbilst spēkā esošajiem AK regulām.

### Simboli uz izstrādājuma

(Att. 2) BRĪDINĀJUMS.

(Att. 3) Brīdinājums. Rotējošas daļas. Turiet rokas un kājas drošā attālumā.

(Att. 4) Uzmanieties no izmestiem un rikošetā atlecošiem priekšmetiem.

(Att. 5) Izlasiet norādījumus.

(Att. 6) Nodrošiniet, lai cilvēki un dzīvnieki atrastos drošā attālumā no darba zonas.

(Att. 7) Pastāv risks traumēt tuvumā esošo cilvēku acis.

(Att. 8) Nepakļaujiet ierīci lietus iedarbībai.

(Att. 9) Lietojiet aizsargbrilles.

(Att. 14) Trokšņa emisijas vidē uzlīme atbilstoši ES un Apvienotās Karalistes direktīvām un noteikumiem, kā arī Jaundienvīdvelsas tiesību aktam "Darba vides aizsardzības (trokšņa kontroles) regula (2017)". Izstrādājuma garantētais skaņas jaudas līmenis ir norādīts *Tehniskie dati lpp. 256* un uz etiķetes.

(Att. 15) Izstrādājums ir aizsargāts pret šķidrumu iekļūšanu tajā.

---

**Piezīme:** Pārējie uz izstrādājuma norādītie simboli/norādes atbilst dažu valstu sertifikācijas prasībām.

---

### Produkta bojājumi

Mēs neatbildam par mūsu produkta bojājumiem, ja:

- ir veikts nepareizs produkta remonts;
- produkta remonts ir veikts, izmantojot detaļas, ko nav nodrošinājis vai apstiprinājis ražotājs;

- produktam tiek pievienots piederums, ko nav nodrošinājis vai apstiprinājis ražotājs;

- produkta remonts nav veikts pilnvarotā remontdarbinīcā vai pie pilnvarota speciālista.

## Drošība

### Drošības definīcijas

Brīdinājumi, norādes "Uzmanību!" un piezīmes tiek izmantotas, lai izceltu īpaši svarīgas lietotāja rokasgrāmatas daļas.



**BRĪDINĀJUMS:** Tiek izmantota tad, ja rokasgrāmatā sniegto instrukciju neievērošanas dēļ operatoram vai blakus esošajām personām draud traumu vai nāves risks.



**IEVĒROJIET:** Tiek izmantota tad, ja rokasgrāmatā sniegto instrukciju neievērošanas dēļ rodas izstrādājuma, citu materiālu vai blakus esošās teritorijas bojājuma risks.

**Piezīme:** Tiek izmantota, lai sniegtu plašāku informāciju, kas nepieciešama attiecīgajā situācijā.

### Vispārīgi izstrādājuma drošības brīdinājumi



**BRĪDINĀJUMS:** Izlasiet visus drošības brīdinājumus, norādījumus, apskatiet attēlus un tehniskos datus, kas iekļauti šī izstrādājuma komplektā. Tālāk norādīto brīdinājumu un norādījumu neievērošana var radīt strāvas triecienu, aizdegšanos un/vai nopietnas traumas.

Saglabājiet visus brīdinājumus un norādījumus turpmākām uzziņām. Brīdinājumos izmantotais termins "izstrādājums" attiecas uz elektrisku izstrādājumu (ar barošanas kabeli) vai uz izstrādājumu ar akumulatoru (bez barošanas kabeļa).

### Darba zonas drošība

- **Darba zonai jābūt tīrai un labi apgaismotai.** Nekārtīgās un tumšās vietās bieži notiek negadījumi.
- **Nelietojiet izstrādājumu sprādzienbīstamā vidē, piemēram, viegli uzliesmojošu šķidrumu, gāzu vai putekļu tuvumā.** Produkts rada dzirksteles, kas var izraisīt putekļu vai izgarojumu aizdegšanos.
- **Produkta lietošanas laikā neļaujiet tuvumā atrasties bērniem un citām personām.** Uzmanības novēršanas dēļ varat zaudēt kontroli.

### Elektrodrošība

- **Izstrādājuma kontaktspraudņiem jāatbilst elektroīkla kontaktligzdām. Nekādā gadījumā nepārveidojiet**

kontaktspraudnīl izņemtiem izstrādājumiem nedrīkst izmantot nekādus pārejas spraudņus. Nepārveidoti kontaktspraudņi un atbilstošas kontaktligzdas samazina strāvas triecienu risku.

- **Nepieļaujiet ķermeņa saskari ar izņemtām virsmām, piemēram, caurulēm, radiatoriem, plītiem un ledusskapjiem.** Ja ir izveidojies ķermeņa zemējums, pastāv paaugstināts strāvas triecienu risks.
- **Nepakļaujiet izstrādājumus lietus vai mitruma iedarbībai.** Ūdens, kas iekļuvis izstrādājumā, palielina elektriskās strāvas triecienu risku.
- **Lietojot kabeli, ievērojiet piesardzību. Nekad neizmantojiet barošanas kabeli ierīces pārnēsāšanai, vilkšanai vai atvienošanai no kontaktligzdas. Sargiet kabeli no karstuma, eļļas, asām malām un kusīgām detaļām.** Bojāti vai savijušies vadi paaugstina strāvas triecienu risku.
- **Lietojot izstrādājumu ārpus telpām, izmantojiet piemērotu ārpustelpu pagarinātāju.** Lietošanai ārpus telpām piemērota pagarinātāja lietošana samazina elektriskās strāvas triecienu risku.
- **Ja no izstrādājuma lietošanas mitros apstākļos nevar izvairīties, izmantojiet paliekošās strāvas ierīci (Residual Current Device, RCD).** Izmantojot RCD, tiek samazināts elektriskās strāvas triecienu risks.

### Individuālā aizsardzība

- **Lietojot izstrādājumu, ievērojiet piesardzību, pārdomājiet savas darbības un rīkojieties saprātīgi. Nelietojiet izstrādājumu, kad esat noguris vai narkotiku, alkohola vai zāļu iespaidā.** Pat neuzmanības mirklis, lietojot izstrādājumu, var radīt smagu traumu.
- **Lietojiet individuālos aizsardzības līdzekļus. Vienmēr lietojiet acu aizsargus.** Individuālo aizsardzības līdzekļu, piemēram, putekļu maskas, aizsargapavu ar neslīdošām zolēm, ķiveres vai dzirdes aizsarglīdzekļu, lietošana attiecīgos apstākļos samazina traumu gūšanas risku.
- **Nepieļaujiet nejašu ieslēgšanu. Pirms produkta pievienošanas strāvas padeves avotam un/vai akumulatoram, pacelšanas vai pārvietošanas pārbaudiet, vai slēdzis ir ieslēgtā stāvoklī.** Izstrādājuma pārnēsāšana, turot pirkstu uz slēdža, vai izstrādājuma pieslēgšana barošanai, ja ir ieslēgts slēdzis, var izraisīt negadījumus.
- **Pirms produkta ieslēgšanas noņemiet regulēšanas atslēgu vai uzgriežņu atslēgu.** Uz produkta rotējošajām detaļām atstāta uzgriežņu atslēga vai atslēga var radīt traumu.
- **Nesniedzieties pārāk tālu. Vienmēr stāviet stabili un saglabājiet līdzsvaru.** Tādējādi var labāk vadīt produktu negaidītās situācijās.

- **Attiecīgi apģērbieties.** Nevalkājiet vaļīgu apģērbu vai rotaslietas. Nepieļaujiet matu un apģērba saskari ar kustīgajām daļām. Vaļīgas drēbes, rotaslietas vai gari mati var iekerties kustīgajās detaļās.
- **Ja komplektācijā ir iekļautas pievienojamas putekļu iesūkšanas ierīces un savākšanas tvertnes, pārbaudiet, vai tās ir pieslēgtas un tiek pareizi izmantotas.** Putekļu savākšanas līdzekļu izmantošana var samazināt putekļu radītos draudus.
- **Nekļūstiet nevērtīgs pret darbarīka drošas izmantošanas principiem un neignorējiet tos pat tad, ja bieži izmantojat darbarīkus un esat labi apguvis to lietošanu.** Neuzmanīga rīcība var izraisīt nopietnu traumu vienā acumirkli.

## Izstrādājuma lietošana un apkope

- **Nespiediet produktu ar spēku.** Izmantojiet konkrētajam darbam piemērotu produktu. Izmantojot pareizo produktu ar tam paredzēto ātrumu, darbu var paveikt labāk un drošāk.
- **Nelietojiet produktu, ja, nospiežot slēdzi, tas neieslēdzas vai neizslēdzas.** Produkts, kuru nevar vadīt, izmantojot slēdzi, rada draudus un ir jāremontē.
- **Pirms jebkādu regulēšanas darbu veikšanas, piederumu maiņas vai izstrādājuma novietošanas uzglabāšanai atvienojiet kontaktspraudni no barošanas avota un/vai izņemiet akumulatoru.** Šādi piesardzības pasākumi samazina produkta nejaušas palaišanas risku.
- **Ja izstrādājumu neizmantojat, novietojiet to bēmiem nepieejamā vietā un neļaujiet to lietot personām, kas nepazīna tā lietošanu vai šeit sniegtos norādījumus.** Nonākot rokās lietotājam bez atbilstošām zināšanām, izstrādājumi ir bīstami.
- **Veiciet izstrādājumu un piederumu tehnisko apkopi.** Pārbaudiet kustīgo detaļu nobīdi vai saķeri, detaļu bojājumus un jebkādas citas faktorus, kas var ietekmēt izstrādājuma darbību. Ja izstrādājums ir bojāts, pirms tā lietošanas veiciet remontu. Daudzu nelaimes gadījumu iemesls ir slikti uzturēts izstrādājums.
- **Griezējinstrumenti jāuztur asi un tīri.** Pareizi uzturēti griezējinstrumenti ar asiem asmeņiem retāk saliecas, un tos ir vieglāk vadīt.
- **Lietojiet produktu, piederumus un asmeņus u.c. detaļas atbilstoši šeit sniegtajiem norādījumiem, ņemot vērā darba apstākļus un veicamos uzdevumus.** Produkta lietošana neparedzētiem mērķiem var radīt bīstamas situācijas.
- **Rokturiem un turēšanas virsmām ir jābūt sausām, tīrām un uz tām nedrīkst būt eļļas un smērvielas.** Slideni rokturi un satveršanas virsmas traucē drošu izstrādājuma izmantošanu un vadību negaidītās situācijās.

## Apkope

- **Uzticiet izstrādājuma apkopi kvalificētam remontdarbu speciālistam, kas izmanto tikai**

**oriģinālas rezerves daļas.** Tādējādi tiks garantēta izstrādājuma lietošanas drošība.

- **Nekad neveiciet bojātu akumulatoru apkopi.** Akumulatoru apkopi drīkst veikt tikai ražotājs vai pilnvarots apkopes nodrošinātājs.

## Akumulatora rīka lietošana un apkope

- **Uzlādei izmantojiet tikai ražotāja norādīto lādētāju.** Lādētājs, kas ir piemērots viena tipa akumulatora blokam, var kļūt ugunsbīstams, lietojot to ar cita veida akumulatora bloku.
- **Izmantojiet iekārtas tikai ar tām paredzētajiem akumulatoru blokiem.** Jebkura cita akumulatora bloka lietošana var radīt traumas un ugunsgrēka risku.
- **Kad akumulatora bloks netiek izmantots, turiet to drošā attālumā no metāla priekšmetiem, piemēram, papīra saspaudēm, monētām, atslēgām, naglām, skrūvēm un citiem nelieliem metāla priekšmetiem, kas var savienot spailes.** Akumulatora spaiļu savienošana var radīt apdegumus vai aizdegšanos.
- **Nepareizi lietojot, no akumulatora var izcēst šķidrums; izvairieties no saskares ar to. Ja nejauši notiek saskare, noskalojiet skarto vietu ar lielu daudzumu ūdens. Ja šķidrums iekļūst acīs, vērsieties pēc medicīniskās palīdzības.** No baterijas izcējis šķidrums var radīt kairinājumu vai apdegumus.
- **Nelietojiet akumulatoru bloku vai darbarīku, ja tas ir bojāts vai pārveidots.** Bojāts vai pārveidots akumulators var darboties neparedzami, izraisot aizdegšanos, eksploziju vai traumu gūšanas risku.
- **Nepakļaujiet akumulatoru bloku vai darbarīku ugunij vai pārmērīgi augstai temperatūrai.** Ja pakļausit iekārtu uguns iedarbībai vai tādas temperatūras iedarbībai, kas pārsniedz 130°C (265°F), var notikt sprādziens.
- **Nemiet vērā visas uzlādes instrukcijas un nelādējiet akumulatoru bloku vai darbarīku temperatūrā, kas ir ārpus instrukcijās norādītā diapazona.** Nepareiza uzlāde vai uzlāde temperatūrā, kas ir ārpus norādītā diapazona, var bojāt akumulatoru un palielināt ugunsgrēka risku.

## Vispārīgi drošības norādījumi



**BRĪDINĀJUMS:** Pirms izstrādājuma lietošanas izlasiet tālāk izklāstītos brīdinājumus.

- Šis izstrādājums ir bīstams, ja to lieto nepareizi vai ja nerīkojaties piesardzīgi. Drošības instrukciju neievērošana var izraisīt traumas vai nāvi.
- Šis izstrādājums darbības laikā rada elektromagnētisko lauku. Zināmos apstākļos šis lauks var traucēt aktīvā vai pasīvā medicīniskā implantāta darbību. Lai samazinātu nopietnas traumas gūšanas vai dzīvības zaudēšanas risku, mēs iesakām personām, kam ir medicīniskie implantāti, pirms šī izstrādājuma lietošanas

konsultēties ar savu ārstu un medicīniskā implantāta ražotāju.

- Vienmēr rīkojieties piesardzīgi un saprātīgi. Ja neesat drošs par to, kā izmantot šo izstrādājumu konkrētā situācijā, pārtrauciet darbu un sazinieties ar savu Husqvarna izplatītāju, pirms turpināt.
- Paturiet prātā, ka operators ir atbildīgs par negadījumiem, kuros iesaistītas citas personas.
- Gādājiet, lai izstrādājums ir tīrs. Pārļiecinieties, ka varat skaidri izlasīt zīmes un uzlīmes.
- Nekādā gadījumā neļaujiet lietot ierīci bērniem vai cilvēkiem, kas nepārzina instrukcijas. Vietējie normatīvi var ierobežot operatora vecumu.
- Ja produktu izmanto persona ar samazinātām fiziskajām vai garīgajām spējām, vienmēr uzraugiet šo personu. Tuvumā vienmēr jābūt pieaugušajam.
- Neizmantojiet šo izstrādājumu, ja esat noguris, slims vai esat alkohola, narkotiku vai medikamentu izraisītā reibumā. Šāds stāvoklis negatīvi ietekmē jūsu redzi, modrību, koordināciju un spriestspēju.
- Nelietojiet šo izstrādājumu, ja tas ir bojāts vai nedarbojas pareizi.
- Neveiciet izmaiņas šajā izstrādājumā un neizmantojiet to, ja ir iespējams, ka citas personas tajā ir veikušas izmaiņas.

## Darba drošība



**BRĪDINĀJUMS:** Pirms sākat lietot šo izstrādājumu, izlasiet tālāk izklāstītos brīdinājumus.

- Izmantojiet šo izstrādājumu, lai guldītu zemē norobežojošos kabelus un vadošos kabelus robotizētajiem zāles plāvējiem. Nelietojiet izstrādājumu citiem uzdevumiem.
- Lietojiet individuālos aizsardzības līdzekļus. Skatiet: *Individuālie aizsarglīdzekļi lpp. 247.*
- Pārļiecinieties, vai zināt, kā ārkārtas situācijā ātri apturēt dzinēju.
- Nedarbiniet izstrādājumu lietus laikā un nepakļaujiet to lietus vai mitruma iedarbībai. Ja izstrādājumā iekļūst ūdens, palielinās elektrotraumas risks.
- Nedarbiniet izstrādājumu, ja urbis un visi pārsegi nav piestiprināti pareizi. Nepareizi piestiprināts urbis var kļūt vaļīgs un izraisīt traumas personai.
- Pirms izmantojat izstrādājumu, noņemiet no darba zonas priekšmetus, piemēram, zarus, žaģarus un akmeņus.
- Priekšmeti, kas saskaras ar kabeļu guldīšanas aprikojumu, var atlēkt un radīt traumas vai bojājumus. Gādājiet, lai citi cilvēki un dzīvnieki atrastos drošā attālumā no izstrādājuma.
- Nekad neizmantojiet izstrādājumu sliktos laika apstākļos, piemēram, miglā, lietū, stiprā vējā, lielā aukstumā un pērkona negaisa laikā. Izstrādājuma izmantošana sliktos laika apstākļos vai mitrā vai slapjā vietā ir nogurdinoša. Slikti laikapstākļi var izraisīt bīstamas situācijas, piemēram, padarot virsmas slidenas.
- Pārļiecinieties, vai nav personu, priekšmetu un situāciju, kas var kavēt izstrādājuma drošu darbību.
- Skatieties, vai nav šķēršļu, piemēram, sakņu, akmeņu, zaru, bedru un grāvju. Garā zālē var atrasties dažādi šķēršļi.
- Neizmantojiet izstrādājumu uz virsmas, kuras stipums pārsniedz 15°.
- Mainot braukšanas virzienu nogāzē, esiet īpaši piesardzīgs. Uz nogāzēm ar izstrādājumu strādājiet, virzoties šķērsām tām. Nepārvietojieties augšup un lejup.
- Esiet uzmanīgi, kad tuvojaties stūriem, aiz kuriem nekas nav redzams, un priekšmetiem, kas aizsedz redzamību.
- Pārļiecinieties, ka urbis neatsitas pret priekšmetiem, piemēram, akmeņiem un saknēm. Tas var sabojāt urbi un saliekt motora vārpstu. Saliekta motora vārpsta izraisa stipru vibrāciju un rada ļoti lielu risku, ka urbis kļūst vaļīgs.
- Ja urbis saskaras ar priekšmetu vai rodas spēcīgas vibrācijas, nekavējoties izslēdziet izstrādājumu. Apstādiniet motoru, pavelciet uz augšu drošības atslēgu un izņemiet akumulatoru. Uzgaidiet, līdz kustīgās detaļas apstājas. Pārbaudiet, vai izstrādājumam nav bojājumu. Pielieciet vaļīgās detaļas. Novērsiet bojājumus un nomainiet bojātās detaļas. Uzticiet remontdarbu veikšanu apstiprinātām apkopes uzņēmumam.
- Nekādā gadījumā nepiestipriniet urbja vadības rokturi pie roktura, kad motors ir iedarbināts.
- Novietojiet izstrādājumu uz stabilas, līdzenas virsmas un iedarbiniet to.
- Darbinot izstrādājumu, vienmēr stāviet aiz tā.
- Lietojot izstrādājumu, pārbaudiet, lai visi riteņi atrodas uz zemes un turiet rokturi ar abām rokām.
- Turiet rokas un kājas drošā attālumā no rotējoša urbja.
- Nesasveriet zāles plāvēju, kad iedarbināt tā motoru vai zāles plāvēja lietošanas laikā.
- Esiet piesardzīgi, velkot izstrādājumu atpakaļ.
- Nekādā gadījumā neceliet izstrādājumu uz augšu motora darbības laikā. Ja izstrādājums ir jāpaceļ, vispirms apstādiniet motoru, pavelciet uz augšu drošības atslēgu un izņemiet akumulatoru.
- Neejiet atmuģuriski izstrādājuma lietošanas laikā.
- Atlaidiet urbja vadības rokturi, lai apturētu urbi, kad nepieciešams sasnērt izstrādājuma transportēšanas nolūkos.
- Nekādā gadījumā neskrīniet ar izstrādājumu motora darbības laikā. Darbinot izstrādājumu, vienmēr ejiet.
- Apturiet motoru, pirms maināt kabeļu guldīšanas dziļumu. Nekādā gadījumā nemēģiniet veikt regulēšanu motora darbības laikā.
- Neatstājiet izstrādājumu bez uzraudzības motora darbības laikā. Izslēdziet motoru un pārļiecinieties, vai urbis nerotē.

- Zāles plāvēja vibrācija darbības laikā var atšķirties no vibrācijas vērtības, kas norādīta *Tehniskie dati lpp. 256*. Atšķirības ir atkarīgas no zāles plāvēja izmantošanas veida. Ja zāles plāvējs tiek lietots bieži vai ilgstoši, regulāri ieturiet pauzes, lai novērstu vibrācijas radītas traumas.

## Darba drošības norādījumi

Pirms sākat lietot izstrādājumu, izlasiet turpmāk izklāstītās instrukcijas.

- Pārļiecinieties, vai kabelis uz kabeļa vadierīces nav bojāts.
- Pārļiecinieties, vai caurule uz padeves ribas nav bojāta. Nomainiet cauruli, ja tā ir nodilusi vai bojāta.

(Att. 16)

- Pārļiecinieties, vai mala ap atveri nav asa vai bojāta. Ja kabeļa vadierīce ir bojāta, nomainiet to.
- Pārļiecinieties, vai visas skrūves ir pievilktas.
- Pārļiecinieties, vai visas sviras ir novietotas neitrālajā pozīcijā.

## Individuālie aizsarglīdzekļi



**BRĪDINĀJUMS:** Pirms sākat lietot šo izstrādājumu, izlasiet tālāk izklāstītos brīdinājumus.

- Šādi līdzekļi nevar pilnībā novērst traumu gūšanas risku, taču samazina traumu smaguma pakāpi, ja negadījums tomēr notiek. Ļaujiet izplatītājam palīdzēt jums izvēlēties pareizo aprīkojumu.
- Velciet izturīgus zābakus vai kurpes, kas neslīd. Nevelciet vaļējas kurpes un neejiet ar basām kājām.
- Uzvelciet izturīgas garās bikses.
- Vajadzības gadījumā izmantojiet aizsargcimdus, piemēram, piestiprinot, pārbaudot vai tīrot kabeļu guldīšanas aprīkojumu.
- Ieteicams izmantot dzirdes aizsarglīdzekļus.

## Izstrādājuma drošības ierīces



**BRĪDINĀJUMS:** Pirms izstrādājuma lietošanas izlasiet tālāk izklāstītos brīdinājumus.

- Nelietojiet izstrādājumu ar drošības ierīcēm, kas ir bojātas vai nedarbojas pareizi.
- Nenoņemiet un nepārveidojiet drošības ierīces.
- Regulāri pārbaudiet drošības ierīces. Ja drošības ierīces ir bojātas vai nedarbojas pareizi, sazinieties ar Husqvarna apkopes dienesta pārstāvi.

## Drošības atslēga

Drošības atslēga ir zem akumulatora pārsega. Drošības atslēga savieno akumulatoru, kas dzinējam nodrošina jaudu.

## Drošības atslēgas pārbaude

Drošības atslēga savieno akumulatoru, kas dzinējam nodrošina jaudu.

- Iedarbiniet un apstādiniet motoru. Ja drošības atslēga darbojas pareizi, motoru var iedarbināt tikai, kad atslēga ir drošības blokā.

## Urbja vadības rokturis

Urbja vadības rokturis aptur urbi. Kad urbja vadības rokturis tiek atlaists, urbis pārtrauc darbību.

Lai pārbaudītu urbja vadības rokturi, iedarbiniet dzinēju un pēc tam atļaidiet urbja vadības rokturi. Ja urbis neapstājas 3 sekunžu laikā, sazinieties ar sertificētu Husqvarna apkopes aģentu.

(Att. 17)

## Akumulatora drošība



**BRĪDINĀJUMS:** Pirms izstrādājuma lietošanas izlasiet tālāk izklāstītos brīdinājumus.

- Izmantojiet Husqvarna atkārtoti uzlādējamus akumulatorus kā barošanas avotu tikai saistītiem Husqvarna izstrādājumiem. Lai nepieļautu traumu gūšanas risku, akumulatoru nedrīkst izmantot kā citu izstrādājumu strāvas avotu.
- Nelietojiet vienreiz lietojamās baterijas.
- Elektriskās strāvas triecienu risks. Nesavienojiet akumulatora spailes ar atslēgām, monētām, skrūvēm vai citiem metāla priekšmetiem. Tas var izraisīt akumulatora īssavienojumu.
- Neievietojiet nekādus priekšmetus akumulatora gaisa atverēs.
- Neglabājiet akumulatoru vietās, ka ir pakļautas tiešai saulesgaismai, karstuma vai atklātām liesmām. Akumulators var sprāgt un radīt apdegumus un/vai ķīmiskos apdegumus.
- Akumulatoru nedrīkst pakļaut lietus un mitruma ietekmei.
- Akumulatoru nedrīkst pakļaut mikroviļņu un augsta spiediena ietekmei.
- Akumulatoru nedrīkst izjaukt vai saspiest.
- Ja rodas noplūde no akumulatora, neļaujiet šķidrumam saskarties ar ķermeni vai acīm. Ja pieskaraties šķidrumam, nomazgājiet skarto vietu ar lielu daudzumu ūdens un meklējiet medicīnisko palīdzību.
- Izmantojiet akumulatoru zāles plāvējā tikai, ja apkārtējās vides temperatūra ir diapazonā no 5 līdz 40 °C.
- Izmantojiet akumulatora lādētāju tikai, ja apkārtējās vides temperatūra ir diapazonā no 5 līdz 40 °C.
- Akumulators netiks uzlādēts, ja akumulatora temperatūra pārsniedz 50 °C.

- Nefīriet akumulatoru un tā lādētāju ar ūdeni. Skatiet šeit: *Akumulatora un akumulatora lādētāja tīrīšana lpp. 253.*
- Nelietojiet bojātu akumulatoru.
- Uzglabājiet akumulatorus vietā, kur tuvumā nav metāla priekšmetu, piemēram, naglu, monētu, rotaslietu.

## Akumulatora lādētāja drošības norādes



**BRĪDINĀJUMS:** Pirms izstrādājuma lietošanas izlasiet tālāk izklāstītos brīdinājumus.

- Izmantojiet QC akumulatoru lādētājus tikai Husqvarna rezerves akumulatoru uzlādei.
- Pastāv elektriskās strāvas trieciena vai īssavienojuma risks. Neievietojiet nekādus priekšmetus lādētāja gaisa atverēs. Nemēģiniet izjaukt akumulatora lādētāju. Nesavienojiet lādētāja spaiļus ar metāla priekšmetiem. Izmantojiet pārbaudītu elektrotīkla kontaktligzdu.
- Šis izstrādājums darbības laikā rada elektromagnētisko lauku. Zināmos apstākļos šis lauks var traucēt aktīvā vai pasīvā medicīniskā implantāta darbību. Lai samazinātu smagu vai nāvējošu traumu gūšanas risku, ieteicams tām personām, kurām ir medicīniskie implantāti, pirms šī izstrādājuma lietošanas konsultēties ar ārstu un medicīniskā implantāta ražotāju.
- Regulāri pārliecinieties, ka akumulatora lādētāja barošanas kabelis nav bojāts un saplaisājies.
- Nevelciet akumulatora lādētāju aiz barošanas kabeli. Lai akumulatora lādētāju atvienotu no elektrotīkla kontaktligzdas, velciet aiz kontaktspraudņā. Nevelciet aiz barošanas kabeli.
- Nenovietojiet barošanas kabeli un pagarinājuma kabelus ūdens, eļļas un asu apmaļu tuvumā. Raugieties, lai kabelis netiktu iespiests durvīs, žogos un līdzīgās konstrukcijās. Lādētājs var ieslēgties.
- Nefīriet akumulatora lādētāju ar ūdeni.
- Akumulatora lādētāju drīkst izmantot bērni no 8 gadu vecuma un cilvēki ar ierobežotām fiziskām, sensorām vai garīgām spējām vai bez pieredzes un zināšanām tikai atbildīgās personas uzraudzībā vai pēc akumulatora lādētāja drošas lietošanas norādījumu saņemšanas un iespējamo risku izprašanas. Bērni nedrīkst spēlēties ar akumulatora

lādētāju. Ierīces tīrīšanu un apkopi bērni drīkst veikt tikai atbildīgās personas uzraudzībā.

- Neizmantojiet akumulatora lādētāju tādu akumulatoru uzlādei, kas nav atkārtoti uzlādējami.
- Nelietojiet akumulatora lādētāju viegli uzliesmojošu materiālu vai materiālu, kas var izraisīt koroziju, tuvumā. Nepārklājiet akumulatora lādētāju. Ja konstatējat dūmus vai uguni, izraujiet akumulatora lādētāja kontaktspraudni.
- Nelietojiet bojātu akumulatora lādētāju.
- Uzlādējiet akumulatoru tikai tādās telpās, kur ir laba gaisa plūsma un nav saules gaismas. Neuzlādējiet akumulatoru mitrumā.

## Norādījumi par drošu apkopi



**BRĪDINĀJUMS:** Pirms sākat lietot šo izstrādājumu, izlasiet tālāk izklāstītos brīdinājumus.

- Pirms veicat izstrādājuma apkopi, izņemiet drošības atslēgu.
- Veiciet apkopes darbus pareizi, lai palielinātu izstrādājuma darbību un samazinātu nelaiemes gadījumu risku. Uzticiet remontdarbu veikšanu apstiprināta apkopes uzņēmuma pārstāvim. Lai saņemtu papildinformāciju, sazinieties ar tuvāko apkopes pārstāvi.
- Veiciet tikai tos apkopes darbus, kas norādīti lietošanas rokasgrāmatā.
- Izmantojiet aizsargcimdus, pieskaroties kabeļu guldiņas asu aprikojumam.
- Gādājiet par izstrādājuma tīrību, lai nodrošinātu vislabāko un drošāko veiktspēju.
- Ļaujiet izstrādājumu regulāri pārbaudīt apkopes centra darbiniekiem un veikt nepieciešamos regulēšanas un remonta darbus.
- Nomainiet bojātās, nodilušās un salūzušās detaļas.
- Ievērojiet piederumu maiņas norādījumus. Lietojiet tikai ražotāja apstiprinātos piederumus.
- Kad izstrādājumu neizmantojat, turiet to, akumulatoru un akumulatora lādētāju atstatu vienu no otra sausās un slēgtās telpās. Nodrošiniet, lai bērni un nepiederošas personas nepieklūst izstrādājumam, akumulatoram vai akumulatora lādētājam.

## Montāža

### Ievads



**BRĪDINĀJUMS:** Pirms izstrādājuma montāžas izlasiet un izprotiet drošības norādījumus.

### Urbja uzstādīšana

1. Ievietojiet urbi (A) urbja galvā (B) un uzstādiet garo skrūvi (C). (Att. 18)

**Piezīme:** Lai uzstādītu urbi, nepieciešama 6 mm uzgriežņu atslēga.



2. Uzstādiēt urbja galvu uz vārpstas (D), izmantojot īso skrūvi (E).
3. Pielieciet skrūves.

## Kabeļa uzstādīšana

Izstrādājums ir aprīkots ar kabeļa tinēju, kuru ir iespējams noņemt.

1. Uzlieciet kabeli uz kabeļu tinēja. Ar roktura palīdzību grieziet kabeļa tinēju pulksteņa rādītāju kustības virzienā.

**Piezīme:** Kabelis uz kabeļu tinēja ir jātin pulksteņa rādītāju kustības virzienā, lai darba laikā tas netraucēti atritinātos. (Att. 19)

2. Virziet kabeli padeves ribas (A) caurulē, līdz tas parādās apakšā (B) aptuveni 5 cm garumā. (Att. 20)

## Kabeļu tinēja uzstādīšana un noņemšana

1. Atlaidiet grozāmpogu (A). (Att. 21)
2. Noņemiet fiksatoru (B).
3. Noņemiet kabeļu tinēju (C).
4. Uzstādiēt kabeļu tinēju (D). Ja nepieciešams, izmantojiet adapteri. (Att. 22)
5. Uzstādiēt fiksatoru (E) un pielieciet grozāmpogu (F).

## Lietošana

### Ievads



**BRĪDINĀJUMS:** Pirms sākat darbu ar produktu, izlasiet nodaļu par drošību un pārliecinieties, vai saprotat to.

## Husqvarna Fleet Services™

Husqvarna Fleet Services™ ir mākoņa risinājums, kas nodrošina operatoram pārskatu par visiem pievienotajiem izstrādājumiem. Šim izstrādājumam var uzstādīt Husqvarna Fleet Services™ sensoru. Husqvarna Fleet Services™ sensors ievāc izstrādājuma datus un nodrošina savienojuma iespēju ar Husqvarna Fleet Services™ sistēmu. Husqvarna Fleet Services™ sistēma nodrošina datu ziņojumus, piemēram, par darbības laiku, servisa intervāliem un izstrādājuma atrašanās vietu.

Lai iegūtu papildinformāciju par Husqvarna Fleet Services™, lejupielādējiet lietotni Husqvarna Fleet Services™ vai konsultējieties ar Husqvarna pārstāvi.

### Sensora (piederums) sagatavošana

1. Izmantojiet sensora atslēgu, lai atvērtu sensora vāku. (Att. 23)
2. Izņemiet sensoru.
3. Piestipriniet akumulatoru pie sensora. Iedegas sensora LED diode. (Att. 24)
4. Lejupielādējiet Husqvarna Fleet Services™ programmu.
5. Piesakieties lietotnē Husqvarna Fleet Services™.
6. Vieciet savienošanu pāri. Skatiet šeit: *Savienošana pāri starp programmu un izstrādājumu lpp. 249*

### Savienošana pāri starp programmu un izstrādājumu

1. Piesakieties lietotnē Husqvarna Fleet Services™.

2. Atlasiet savu izstrādājumu programmā.
3. Noskenējiet aiz sensora esošo kodu ar mobilo ierīci, lai instalētu sensoru programmā.

**Piezīme:** Savienošana pāri starp programmu un izstrādājumu ir jāveic tikai vienreiz.

### Sensora uzstādīšana

1. Pārliecinieties, vai sensoru ir savienots ar Husqvarna Fleet Services™ programmu. Skatiet šeit: *Savienošana pāri starp programmu un izstrādājumu lpp. 249.*
2. Izurbiet 2 atveres pie atzīmētā korpusa slotā. (Att. 25)

**Piezīme:** Pārliecinieties, vai atverēm ir tāds pats diametrs kā sensora komplektācijā esošajām kniedēm.

3. Izmantojiet knaibles, lai noņemtu ārējās atveres uz sensora slotu. (Att. 26)
4. Izurbiet 2 atveres pie atzīmētā sensora slotā. (Att. 27)
5. Izlīdziniet sensora slotu ar korpusa slotu. (Att. 28)
6. Piestipriniet sensora slotu ar kniedēm.
7. Uzstādiēt sensoru sensora slotā. Izlīdziniet balto atzīmi uz sensora ar atzīmi uz sensora slotu. (Att. 29)
8. Aizveriet vāku uz sensoru un aizslēdziet to ar sensora atslēgu. Pārliecinieties, vai Husqvarna "H" augšdaļa ir vēsta prom no drošības atslēgas. (Att. 30)

### Akumulators



**BRĪDINĀJUMS:** Pirms izmantot akumulatoru, izlasiet nodaļu par drošību un pārliecinieties, vai saprotat to. Izlasiet arī akumulatora un akumulatora lādētāja

komplektā iekļauto lietotāja rokasgrāmatu un pārlicieciniet, vai izprotat to.

Glabājiet akumulatoru un tā lādētāju pareizā apkārtējās vides temperatūrā.

	Apkārtējās vides temperatūra
Akumulatora darbīnāšana	5–40 °C
Akumulatora uzlāde	5–40 °C

## Akumulatora statuss

Displejā ir redzams akumulatora atlikušais uzlādes līmenis un akumulatora kļūdu ziņojumi. Akumulatora uzlādes līmenis ir redzams 5 sekundes pēc produkta izslēgšanas vai akumulatora indikatora pogas nospiešanas. Ja radusies kļūda, iedegas akumulatora brīdinājuma simbols. Skatiet šeit: *Akumulators lpp. 254.*

(Att. 31)

LED indikatori	Akumulatora statuss
Deg visi LED indikatori	Pilnībā uzlādēts (75–100%)
Deg 1., 2. un 3. LED indikatori	Akumulatora uzlādes līmenis ir 50–75%
Deg 1. un 2. LED indikatori	Akumulatora uzlādes līmenis ir 25–50%
Deg 1. LED indikators	Akumulatora uzlādes līmenis ir 0–25%
Mirgo 1. LED indikators	Akumulators ir tukšs. Uzlādējiet akumulatoru.

## Akumulatora uzlāde

Pirms pirmās lietošanas reizes uzlādējiet akumulatoru. Akumulators ir tikai 30% uzlādēts, kad tiek piegādāts klientam.

**Piezīme:** Pievienojiet akumulatora lādētāju strāvas avotam, kura spriegums un frekvence atbilst uz datu plāksnītes norādījumiem.

Akumulators netiek lādēts, ja tā temperatūra pārsniedz 50 °C. Akumulatora lādētājs samazina akumulatora temperatūru, pirms tiek sākota uzlāde.

1. Savienojiet vienu akumulatora lādētāja strāvas vada galu ar akumulatora lādētāja līdzi.
2. Savienojiet akumulatora lādētāja strāvas vada otru galu ar zemētu kontaktlīdzi. Vienreiz iemirgosies akumulatora lādētāja zaļais LED indikators. (Att. 32)
3. Ievietojiet akumulatoru lādētājā. Kad akumulators ir pareizi savienots ar akumulatora lādētāju, tajā deg zaļais indikators. (Att. 33)

4. Kad deg visi akumulatora LED indikatori, akumulators ir pilnībā uzlādēts. Akumulatora uzlādes laiks nedrīkst pārsniegt 24 stundas.
5. Lai atvienotu akumulatora lādētāju no kontaktlīdzas, velciet kontaktdakšu, nevis strāvas vadu.
6. Izņemiet akumulatoru no lādētāja.

## Akumulatora uzlādes statuss

Husqvarna litija jonu akumulatoru drīkst uzlādēt un lietot neatkarīgi no uzlādes līmeņa. Akumulators netiek bojāts. Pilnībā uzlādēts akumulators nesamazinās uzlādes kapacitāti pat tad, ja pēc uzlādes to atstāj lādētājā.

LED indikators	Uzlādes statuss
Mirgo 1. LED indikators	0–25%
Deg 1. LED indikators, mirgo 2. LED indikators	20–50%
Deg 1. un 2. LED indikatori, mirgo 3. LED indikatori	50–75%
Deg 1., 2. un 3. LED indikatori, mirgo 4. LED indikatori	75–100%
Deg 1., 2., 3. un 4. LED indikatori	Pilnībā uzlādēts

## Darbības, kas jāveic pirms izstrādājuma iedarbināšanas

1. Vasarā vai sausnes augsnes gadījumā vienu dienu pirms darba veikšanas aplaistiet zemi ar ūdeni.
2. Pārlicieciniet, ka cilvēki un dzīvnieki atrodas vismaz 20 m attālumā no izstrādājuma.
3. Uzlieciet kabeli uz kabeļu tinēja. Skatiet: *Kabeļa uzstādīšana lpp. 249.*
4. Noregulējiet kabeļa guldīšanas dziļumu. Skatiet: *Kabeļa guldīšanas dziļuma regulēšana lpp. 251.*
5. Pievienojiet kabeļa galu pie mietiņa.

## Izstrādājuma ieslēgšana

1. Sasveriet rokturi uz sāniem. Skatiet šeit: *Roktura sasvēršana lpp. 251.*
2. Atveriet akumulatora vāku.
3. Ievietojiet uzlādētu akumulatoru 1. akumulatora slotā zem akumulatora pārsega. Lai nodrošinātu ilgāku darbību, ievietojiet otru uzlādētu akumulatoru 2. akumulatora slotā.
4. Atvienojiet drošības atslēgu no drošības atslēgas turētāja.
5. Iebīdīet drošības atslēgu drošības slēdzenē. (Att. 34)
6. Stāviet aiz izstrādājuma.

7. Vadības panelī nospiediet gaidstāves pogu (A). Iedegas gaidstāves indikators (B). (Att. 35)
8. Nospiediet uzsākšanas / apturēšanas pogu (C), līdz tā paliek iespiesta. Motors uzsāk darbību.



**IEVĒROJIET:** Nelietojiet izstrādājumu, ja brīdinājuma lampiņa (D) mirgo sarkanā krāsā.

9. Virziet urbja vadības rokturi roktura virzienā, lai iedarbinātu urbi. (Att. 36)

## Piedziņas izmantošana riteņiem

- Velciet piedziņas rokturi (A) roktura virzienā, lai iedarbinātu riteņu piedziņu. (Att. 37)
- Atbrīvojiet piedziņas rokturi, lai apturētu riteņu piedziņu.

## Kabeļa guldīšanas dziļuma regulēšana

1. Atlaidiet grozāmpogu (A). (Att. 38)
2. Noregulējiet atbalsta riteni (B) vēlamajā kabeļa guldīšanas dziļumā un pievelciet grozāmpogu.

**Piezīme:** Skaitļi (C) atbalsta riteņa caurules sānos apzīmē kabeļa guldīšanas dziļumu centimetros. Kabeļa guldīšanas dziļumu var regulēt 1–6 cm robežās.

## Stūres augstuma regulēšana

Roktura augstumu var regulēt 5 līmeņos.

1. Pagrieziet rokturi (A) pretēji pulksteņa rādītāju kustības virzienam, lai atbrīvotu to, un noņemiet grozāmpogu (B). (Att. 39)
2. Noregulējiet roktura augstumu un ievietojiet grozāmpogu tuvākās pozīcijas atverē.
3. Lai rokturi fiksētu, grieziet to pulksteņrādītāju kustības virzienā.

## Roktura savēršana

Jūs varat savērt rokturi, lai izvairītos no šķēršļiem izstrādājuma darbības laikā. Rokturi var savērt 4 pozīcijās pa labi un 4 pozīcijās pa kreisi.

1. Pavelciet savēršanas rokturi (A) pilnībā roktura virzienā un turiet. Savēršanas rokturis atrodas roktura kreisās puses apakšdaļā. (Att. 40)
2. Sasveriet rokturi 1 no 4 pozīcijām kreisajā vai labajā pusē un atlaidiet savēršanas rokturi. Pārlicinieties, ka tapa, kas nofiksē roktura pozīciju, ir 1 no atverēm. (Att. 41)

## Padeves ribas šarnīra fiksēšana

Lai palielinātu virziena precizitāti, guldot kabeli garos, taisnos posmos, jūs var fiksēt padeves ribas šarnīru.

- Pārlicinieties, ka padeves riba ir pavērsta vienā virzienā ar izstrādājumu un pievelciet rokturi (A). (Att. 42)

## Kabeļa vadierīces regulēšana

Izstrādājums ir noregulēts 4 mm kabeļu lietošanai. Ja kabeļa diametrs ir lielāks, kabeļa vadierīci nepieciešams regulēt.

1. Atskrūvējiet 2 skrūves. (Att. 43)
2. Pavirziet kabeli dažus centimetrus uz augšu.
3. Pievelciet 2 skrūves.

## Sliežu platuma regulēšana

Riteņu pozīciju var regulēt dažāda platuma sliedēm. Ass kreisajā pusē ir 4 regulēšanas atveres, un ass labajā pusē arī ir 4 regulēšanas atveres. Sliežu platumu var regulēt 250, 270, 290 vai 310 mm attālumā no urbja centra. (Att. 44)

1. Izvelciet tapu (A).
2. Noregulējiet riteņus vēlamajā sliežu platumā.
3. Ievietojiet tapu vienā no 4 ass atverēm (B).
4. Nobloķējiet drošības atsperei.

## Darba sākšana

Kad kabelis un urbis ir uzstādīti, operatoram ir jānostiprina kabelis uz zemes.

1. Iespraudiet zemē mietiņu.
2. Piestipriniet kabeļa daļu, kas nāk no kabeļa vadierīces apakšas, pie mietiņa.

## 2 kabeļu izvietošana

Ja izstrādājums iziet ārpus darba zonas ārējā perimetra, ir nepieciešams vienlaikus izvietot 2 kabeļus.

1. Ierociet 1 kabeli gar visu perimetru. Skatiet attēlus (A) un (B). (Att. 45) (Att. 46)
2. Kad esat pozīcijā, kas redzama attēlā (C), noregulējiet atbalsta riteni visaugstākajā pozīcijā, lai noņemtu padeves riba no augsnes. Piestipriniet kabeli ar mietiņu un turpiniet vilkt kabeli virs augsnes, līdz nonākat nākamajā punktā. (Att. 47)
3. Piestipriniet kabeli ar mietiņu punktā, kas redzams attēlā (D). (Att. 48)
4. Ievietojiet padeves riba pareizajā kabeļa guldīšanas dziļumā un turpiniet guldīt kabeli, izveidojot salu. Skatiet attēlu (E). (Att. 49)
5. Kad sasniedzat attēlā (F) norādīto punktu, izņemiet mietiņu un noīriiet padeves riba. Skatiet: *Padeves ribas tīrīšana lpp. 253*. (Att. 50)
6. Ievietojiet kabeli, kas atrodas virs zemes, kabeļa vadierīcē. (Att. 51)

7. Ierociet vienlaikus 2 kabelus līdz attēlā (G) norādītajam punktam. Piestipriniet 2 kabelus pie mietīņa un atākējiet otro kabeli no kabeļa vadierīces. (Att. 52)
8. Turpiniet guldīt perimetra kabeli, līdz nonākat līdz attēlā (H) norādītajam punktam. (Att. 53)

## Lai apturētu ierīci

Izstrādājums tiek automātiski apturēts, ja to neizmanto 3 minūtes.

1. Atlaidiet piedziņas rokturi (A), lai apturētu riteņu piedziņu. (Att. 37)
2. Atlaidiet urbja vadības rokturi, lai apturētu urbi. (Att. 17)

3. Vadības panelī nospiediet uzsākšanas/apturēšanas pogu.
4. Vadības panelī nospiediet gaidstāves pogu.
5. Atveriet akumulatora vāciņu.
6. Izņemiet drošības atslēgu no drošības slēdzenes un ievietojiet to drošības atslēgas turētājā.
7. Notīriet padeves ribi, izmantojot skrāpi. Skatiet: *Padeves ribas tīrīšana lpp. 253.*
8. Tīriet un eļļojiet urbja galvu pēc katras lietošanas reizes. Skatiet: *Urbja galvas tīrīšana un ieeļļošana lpp. 253.*

## Apkope

### Ievads



**BRĪDINĀJUMS:** Pirms veicat apkopi, izlasiet nodaļu par drošību un pārliecinieties, vai izprotat to.

Lai veiktu visus izstrādājuma apkopes un remonta darbus, ir nepieciešama īpaša apmācība. Mēs garantējam profesionāla remonta un apkopes pieejamību.

Papildinformāciju skatiet šeit: [www.husqvarna.com](http://www.husqvarna.com).

### Apkopes grafiks

Apkopes intervāli tiek aprēķināti atbilstoši izstrādājuma ikdienas lietošanai. Intervāli mainās, ja izstrādājumu neizmanto ikdienā.

Informāciju par apkopes darbiem, kas atzīmēti ar zvaigznīti \*, skatiet šeit *Izstrādājuma drošības ierīces lpp. 247.*

	Katrā lietošanas reizē	Reizi mēnesī	Katru sezonu
Veiciet vispārīgu pārbaudi.	X		
Pārliecinieties, vai izstrādājuma drošības ierīces nav bojātas.*	X		
Pārbaudiet urbi un padeves ribi	X		
Pārbaudiet urbja vadības rokturi*.	X		
Pārliecinieties, vai iedarbināšanas/izslēgšanas poga darbojas pareizi un nav bojāta.	X		
Pārbaudiet, vai akumulators nav bojāts.	X		
Pārbaudiet akumulatora uzlādi.	X		
Pārliecinieties, vai akumulatora atbrīvošanas pogas darbojas pareizi un vai izstrādājuma akumulators tiek fiksēts vietā.	X		
Iztīriet motora gaisa ieplūdes atveres. Pārliecinieties, vai uz gaisa ieplūdes atverēm nav zāle vai netīrumi	X		
Ieeļļojiet nekrāsotās daļas.	X		
Ieeļļojiet daļas, kurām ir nodilis cinka apšuvums.	X		
Iztīriet un ieeļļojiet urbja galvu.	X		
Notīriet padeves ribi.	X		

	Katrā lietošanas reizē	Reizi mēnesī	Katru sezonu
Pārbaudiet, vai nav akumulatora bojājumu un pārlicinieties, vai tas darbojas pareizi.		X	
Pārbaudiet savienojumus starp akumulatoru un izstrādājumu. Pārbaudiet arī savienojumu starp akumulatoru un akumulatora lādētāju.			X

## Padeves ribas tīrīšana

- Izmantojot skrāpi, notīriet augsni no padeves ribas. (Att. 54)

## Padeves ribas nomaiņa

- Sasveriet izstrādājumu uz priekšu un lēni nolieciet uz zemes.
- Izskrūvējiet 2 skrūves (A) un padeves ribu (B). (Att. 55)
- Uzstādiat jaunu ribu, veicot darbības apgriezātā secībā.

## Urbja maiņa

- Notīriet zāli un netīrumus no izstrādājuma.



**IEVĒROJIET:** Gādājiet, lai zāle vai citi nevēlami elementi neiekļūtu urbi uzstādīšanas laikā.

**Piezīme:** Pēc darba vienmēr notīriet un ieeļļojiet korpusu.

- Izņemiet īso skrūvi (A) un urbja galvu (B) no vārpstas (C). (Att. 56)

**Piezīme:** Lai nomainītu urbi, nepieciešama 6 mm uzgriežņa atslēga.

- Izņemiet garo skrūvi (D) un urbi (E) no urbja galvas.
- Ielieciet jaunu urbi urbja galvā un uzstādiat garo skrūvi.
- Uzstādiat urbja galvu uz vārpstas.
- Pievelciet skrūves.

## Urbja galvas tīrīšana un ieeļļošana

Pēc katras lietošanas reizes rūpīgi notīriet urbja galvu.

- Sasveriet izstrādājumu uz priekšu un lēni nolieciet uz zemes.

- Ar mīkstu birsti notīriet zāli, netīrumus un citus nevēlamus elementus.
- Ar saspiestu gaisu notīriet sīkākas zāles un netīrumu daļiņas.
- Izņemiet skrūves (A) no urbja galvas (B) un noņemiet urbi (C). (Att. 56)
- Atskrūvējiet 2 skrūves (D) un noņemiet padeves ribu (E). (Att. 57)
- Noņemiet skrūvi (F) un noņemiet urbja galvu (G) no vārpstas (H). (Att. 58)
- Tīriet izstrādājumu ar saspiestu gaisu. Pārlicinieties, ka netīrumi, zāle un citi nevēlami elementi ir notīrīti.
- Ja nepieciešams, notīriet netīro eļļu ar piemērotu šķīdinātāju.
- Notīriet visas detaļas ar piemērotu šķīdinātāju un pēc tam ieeļļojiet visas detaļas.
- Uzklājiet uz vārpstas ūdeni atgrūdošu smērvielu. (Att. 59)

## Akumulatora un akumulatora lādētāja tīrīšana



**BRĪDINĀJUMS:** Netīriet akumulatoru un tā lādētāju ar ūdeni.



**BRĪDINĀJUMS:** Akumulatora tīrīšanai neizmantojiet ķīmikālijas.

- Pirms ievietojat akumulatoru lādētājā, pārlicinieties, ka akumulators un akumulatora lādētājs ir tīrs un sauss.
- Tīriet akumulatora spaiļes ar saspiestu gaisu vai izmantojiet mīkstu un sausu drānu.
- Tīriet akumulatora un lādētāja virsmas ar mīkstu un sausu drānu.

## Problēmu novēršana

### Problēmu novēršana

Ja nevarat atrast problēmu risinājumu šajā lietotāja rokasgrāmatā, sazinieties ar Husqvarna servisa pārstāvi.

Problēma	Cēlonis
Dzinējs neiedarbojas.	Akumulators nav uzlādēts.
	Akumulatora lādētājs nav pievienots pareizi.
	Akumulatora bojājums.
	Vadības pults ir bojāta.
Urbis negriežas.	Siksna ir nodilusi.
	Siksna ir izslīdējusi no trīšiem.
	Svira nepietiekoši nospriego siksnu.
Urbis turpina griezties, kad urbja vadības rokturis ir atlaists.	Urbja vadības roktura trose ir nodilusi vai bojāta.
Izstrādājums nedarbojas pareizi.	Urbis ir nodilis vai bojāts.
	Nepareizi uzstādīts urbis.
Izstrādājums nekustas, kad ir ieslēgts piedziņas rokturis.	Piedziņas roktura trose ir nodilusi vai bojāta.
	Transmisijas siksnas ir nodilušas.
	Ķēde ir pārplisusi vai nav pietiekoši nospriegota.
	Sajūga diski transmisijas korpusā ir nodiluši.
Urbja galvu nav iespējams noņemt.	Vienībā ir nevēlami elementi.
	Sistēmas iekšpusē ir izveidojies oksīds.
Zemē guldītā kabeļa izolācija ir bojāta.	Kabeļa izvades atvere uz padeves ribas ir bojāta.
	Ir netīra caurule, kurā atrodas kabelis un kas ir daļa no padeves ribas.

### Akumulators

LED indikators uz akumulatora	Cēlonis	Risinājums
LED indikators mirgo zaļā krāsā	Akumulatora spriegums ir zems.	Uzlādējiet akumulatoru. Skatiet šeit: <i>Akumulatora uzlāde lpp. 250.</i>

LED indikators uz akumulatora	Cēlonis	Risinājums
Mirgo kļūdu LED indikators.	Zems akumulatora uzlādes līmenis.	Uzlādējiet akumulatoru. Skatiet šeit: <i>Akumulators lpp. 254.</i>
	Temperatūra darba vidē ir pārāk augsta vai pārāk zema.	Akumulatoru drīkst temperatūrā no -10 °C līdz 40 °C.
	Pārspriegums.	Pārbaudiet, vai tīkla spriegums atbilst tam, kas ir norādīts uz izstrādājuma datu plāksnītes. Izņemiet akumulatoru no lādētāja. Pagaidiet 5 sekundes un pēc tam mēģiniet akumulatoru uzlādēt. Ja problēma joprojām nav novērsta, sazinieties ar pilnvarotu apkopes pārstāvi.
Deg kļūdu LED indikators.	Pārāk liela elementu sprieguma atšķirība (1 V).	Sazinieties ar pilnvarotu apkopes pārstāvi.

## Akumulatora lādētājs

LED indikators uz akumulatora lādētāja	Cēlonis	Risinājums
Mirgo kļūdu LED indikators.	Temperatūra darba vidē ir pārāk augsta vai pārāk zema.	Akumulatora lādētāju lietojiet temperatūrā no 5 °C līdz 40 °C.
Deg kļūdu LED indikators.		Sazinieties ar pilnvarotu apkopes pārstāvi.

## Vadības pults

Kļūdas kods (mirgošanas reižu skaits)	Iespējamās kļūmes	Iespējamā procedūra
5	Motora apgriezību skaits pārāk samazinās, un motors apstājas.	Notīriet urbja galvu un samaziniet kabeļa guldīšanas dziļumu. Skatiet šeit: <i>Urbja galvas tīrīšana un ieeļļošana lpp. 253</i> un <i>Kabeļa guldīšanas dziļuma regulēšana lpp. 251</i> . Ja kļūda joprojām pastāv, sazinieties ar jūsu pilnvaroto apkopes pārstāvi.
8	Zems akumulatora uzlādes līmenis.	Uzlādējiet akumulatoru. Skatiet: <i>Akumulatora uzlāde lpp. 250.</i>
9	Akumulatora kļūda vai netiek saņemts signāls no akumulatora.	Ievietojiet akumulatoru pareizi un pārbaudiet akumulatora savienotāju. Ja uz akumulatora mirgo kļūdas gaismas diodes indikators, skatiet šeit: <i>Akumulators lpp. 254.</i>
10	Motora vadības bloks ir pārāk karsts	Apturiet motoru un uzgaidiet, līdz tas kļūst vēss.
Citas kļūdas	Ja rodas citas kļūdas, izņemiet drošības atslēgu un akumulatoru un sazinieties ar apstiprinātu apkopes pārstāvi.	

# Pārvadāšana, glabāšana un utilizēšana

## Ievads



**BRĪDINĀJUMS:** Lai nepieļautu nejaušu iedarbināšanu transportēšanas laikā, pavelciet drošības atslēgu uz augšu, izņemiet akumulatoru un nogaidiet vismaz 5 sekundes.

## Transportēšana

- Uz iekļautajiem litija jonu akumulatoriem attiecas likumu prasības par bīstamajām precēm.
- Komerציālai transportēšanai ir jāievēro īpašās prasības uz iepakojuma un uzlīmēm.
- Noteikti ievērojiet noteikumus, kas attiecas uz bīstamiem materiāliem, kad produktu sagatavoja transportēšanai. Spēkā var būt vietēji noteikumi.
- Transportēšanas laikā izņemiet akumulatoru.
- Uzlieciet lenti uz akumulatora savienotājiem un pārliecinieties, vai akumulatora transportēšanas laikā nevar kustēties.
- Transportēšanas laikā nostipriniet produktu.

## Glabāšana

- Pirms uzglabāšanas ļaujiet zāles plāvējam atdzist.
- Glabāšanas laikā izņemiet akumulatoru.
- Lai novērstu nelaimes gadījumus, produkta glabāšanas laikā akumulatoram ir jābūt atvienotam no produkta.
- Turiet akumulatora lādētāju slēgtā un sausā vietā.
- Turiet akumulatoru un akumulatora lādētāju sausā vietā, kur nav mitruma vai sala ietekmes.
- Uzglabāšanas laikā atvienojiet akumulatoru no akumulatora lādētāja.
- Neglabājiet akumulatoru vietās, kur var rasties statiskā elektrība. Neglabājiet akumulatoru metāla kārbā.

- Uzglabājiet zāles plāvēju vietā, kur apkārtējā temperatūra ir diapazonā no -10 °C līdz 40 °C.
- Uzglabājiet akumulatoru vietā, kur apkārtējās vides temperatūra ir diapazonā no 5 °C līdz 25 °C un akumulatoru neapspīd tieša saules gaisma.
- Uzglabājiet akumulatora lādētāju vietā, kur apkārtējā temperatūra ir diapazonā no 5 °C līdz 45 °C un lādētāju neapspīd tieša saules gaisma.
- Akumulatora uzlādes līmenim pirms ilgstošas glabāšanas jābūt 30–50%.
- Glabājiet produktu, akumulatoru un akumulatora lādētāju slēgtā vietā, kas nav pieejama bērniem un nesankcionētiem personām.
- Notīriet izstrādājumu.
- Veiciet tikai tās apkopes darbības, kas norādītas lietotāja rokasgrāmatā. Skatiet: *Apkopes grafiks lpp. 252*.
- Pilnībā notīriet zāles plāvēju, pirms novietojat to ilgstošai uzglabāšanai.

## Atbrīvošanās no produkta

Simboli uz produkta vai tā iepakojuma norāda, ka no šī produkta nedrīkst atbrīvoties kā no sadzīves atkritumiem. Tas ir jānodod atbilstošā elektrisko un elektronisko ierīču pārstrādes uzņēmumā.

Nodrošinot, ka šis izstrādājums tiek pareizi pārstrādāts, varat palīdzēt novērst iespējamo negatīvo ietekmi uz vidi un cilvēkiem. Pretējā gadījumā tiek veikta nepareiza šī izstrādājuma utilizēšana. Lai uzzinātu vairāk par šī izstrādājuma pārstrādi, sazinieties ar vietējo pašvaldību, atkritumu pārstrādes uzņēmumu vai veikalu, kurā iegādājāties šo izstrādājumu.

(Att. 60)

## Tehniskie dati

Urbja motors	
Motora tips	BLDC (bezsuksu) 36 V
Motora ātrums — nominālais, apgr./min	3000/min
Motora ātrums — liela slodze, apgr./min	3300/min
Motora jauda — maksimālā, kW	1,8
Motora jauda — nominālā, kW	1,2
Transmisija	Mehāniskā pānesumkārbā ar eļļas vannas pānesumiem



Sajūgs	Siksnas tipa, ar skriemeli
<b>Svars</b>	
Svars bez akumulatora, kg	39
Svars ieskaitot 2 x BLi300, kg	43
<b>Akumulators</b>	
Akumulatora tips	Husqvarna Akumulatoru sērija
<b>Akumulatora darbības laiks</b>	
Akumulatora darbības laiks, min <sup>57</sup>	38
<b>Troksņa emisija</b> <sup>58</sup>	
Akustiskās jaudas līmenis, izmērītais ( $L_{WA}$ dB(A))	84
Skaņas jaudas līmenis, garantētais $L_{WA}$ dB (A)	86
<b>Skaņas līmeņi</b> <sup>59</sup>	
Skaņas spiediena līmenis pie operatora auss, dB (A)	66
<b>Vibrācijas līmeņi</b> <sup>60</sup>	
Rokturis, $m/s^2$	1,8
<b>Kabeļu guldīšanas aprīkojums</b>	
Kabeļa guldīšanas dziļums, cm	1–6
Attālums starp urbi un riteņa malu, mm	250, 270, 290, 310
Urbis	597 04 84-01

Apstiprinātie akumulatori	Zīmols	Tips	Akumulatora ietilpība, Ah	Spriegums (V)	Svars, mārciņas/kg
BLi300	Husqvarna	Litija jonu	9,4	36	4,1/1,9

Apstiprinātie lādētāji norādītajiem akumulatoriem, BLi	Zīmols	Ieejas spriegums, V	Frekvence, Hz	Jauda, W
QC500	Husqvarna	100–240	50–60	500

<sup>57</sup> Brīvsgaitā, mēra standarta darbības režīmā un ar 1 Husqvarna 9,4 Ah akumulatoru (BLi300).

<sup>58</sup> Atbilstoši EK direktīvai 2000/14/EK troksņa emisija apkārtņē ir mērīta kā akustiskā jauda ( $L_{WA}$ ).

<sup>59</sup> Sniegtajos datos par skaņas spiediena līmeni tipiskā statistiskā izkliede ir 1,2 dB(A) (standartnovirze).

<sup>60</sup> Sniegtajos datos par vibrācijas līmeni tipiska statistiskā izkliede ir 0,2  $m/s^2$  (standarta novirze). Vibrācijas standarts EN 1032+A1:2009.

# Atbilstības deklarācija

## ES atbilstības deklarācija

Mēs, **Husqvarna AB**, SE-561 82 Huskvarna, Zviedrija, tālr. +46-36-146500, ar pilnu atbildību apliecinām, ka šis izstrādājums:

<b>Apraksts</b>	Kabeļu guldītājs
<b>Zīmols</b>	Husqvarna
<b>Tips/modelis</b>	CL400i
<b>Identifikācija</b>	Ar sērijas numuriem no 2022 un turpmākiem sērijas numuriem

pilnībā atbilst šādām ES direktīvām un noteikumiem:

<b>Noteikums</b>	<b>Apraksts</b>
2006/42/EK	“par iekārtām”
2014/30/ES	“par elektromagnētisko savietojamību”
2011/65/ES	Par dažādu bīstamo vielu lietošanas ierobežojumiem elektriskajos un elektroniskajos aprīkojumos

un ir ievēroti zemāk norādītie saskaņotie standarti un/vai tehniskie dati: EN ISO 12100:2010, EN ISO 14119:2013, EN ISO 14120:2015, EN ISO 13857:2019, EN 62841-1:2015+AC:2015, EN ISO 11202:2010, EN 1032:2009, EN 55014-1:2017, EN 55014-2:2015, EN 63000:2018.

Lai iegūtu informāciju par trokšņa emisiju, skatiet šeit:  
*Tehniskie dati lpp. 256.*

Huskvarna, 2022-03-21



Claes Losdal, nodaļas vadītājs/dārzkopības izstrādājumi,  
Husqvarna AB

Atbildīgais par tehnisko dokumentāciju



---

## Inhoud

---

Inleiding.....	259	Probleemoplossing.....	270
Veiligheid.....	260	Vervoer, opslag en verwerking.....	272
Montage.....	265	Technische gegevens.....	272
Werkking.....	265	Verklaring van overeenstemming.....	274
Onderhoud.....	268		

---

## Inleiding

---

### Productbeschrijving

Het product is een handbediende kabellegger.

### Productoverzicht

(Fig. 1)

1. Boorbedrijfshendel
2. Handgreep kantelhendel
3. Aandrijfshendel
4. Teller
5. Kabelopwindmechanisme
6. Invoerrib
7. Boor
8. Bedieningspaneel
9. Veiligheidssleutel
10. Accu (accessoire)
11. Acculader (accessoire)
12. Bedieningshandleiding

### Symbolen op het product

- (Fig. 2) WAARSCHUWING
- (Fig. 3) Waarschuwing: Draaiende delen. Houd handen en voeten uit de buurt.
- (Fig. 4) Kijk uit voor weggeslingerde en afgeketste voorwerpen.
- (Fig. 5) Lees de instructies.
- (Fig. 6) Houd personen en dieren op veilige afstand van het werkgebied.
- (Fig. 7) Gevaar voor oogletsel bij omstanders.
- (Fig. 8) Stel het product niet bloot aan regen.
- (Fig. 9) Draag een veiligheidsbril.
- (Fig. 10) Stand-by-modus (zwarte knop).

### Gebruik

Gebruik het product om de begrenzingsdraad en geleidingsdraad voor robotmaaiers in de grond te plaatsen. Gebruik het product niet voor andere taken.

(Fig. 10) De motor starten en stoppen (rode knop).

(Fig. 11) Het product of de verpakking ervan is geen huishoudelijk afval. Lever het in bij een recyclepunt voor elektrische en elektronische apparatuur.

(Fig. 12) Het product voldoet aan de geldende EG-richtlijnen.

(Fig. 13) Dit product voldoet aan de geldende VK-regelgeving.

(Fig. 14) Geluidsemissies naar het omgevingslabel volgens de richtlijnen en voorschriften van de EU en het VK en de wetgeving van Nieuw-Zuid-Wales "Protection of the Environment Operations (Noise Control) Regulation 2017". Het gegarandeerde geluidsvermogensniveau van het product staat vermeld in *Technische gegevens op pagina 272* en op het label.

(Fig. 15) Het product is druppeldicht.

---

**Let op:** Andere symbolen/stickers op het product hebben betrekking op certificeringseisen voor bepaalde markten.

---

### Schade aan het product

We zijn niet verantwoordelijk voor schade aan ons product als:

- het product niet goed is gerepareerd.
- het product is gerepareerd met onderdelen die niet van de fabrikant afkomstig zijn, of onderdelen die niet zijn goedgekeurd door de fabrikant.

- het product een accessoire bevat dat niet afkomstig is van de fabrikant of niet is goedgekeurd door de fabrikant.

- het product niet is gerepareerd door een erkend servicepunt of door een erkende autoriteit.

---

## Veiligheid

---

### Veiligheidsdefinities

Waarschuwingen, voorzorgsmaatregelen en opmerkingen worden gebruikt om te wijzen op belangrijke delen van de handleiding.



**WAARSCHUWING:** Wordt gebruikt om te wijzen op de kans op ernstig of fataal letsel voor de gebruiker of omstanders wanneer de instructies in de handleiding niet worden gevolgd.



**OPGELET:** Wordt gebruikt indien er een risico bestaat op schade aan het product en andere eigendommen of aan de omgeving wanneer de instructies in de handleiding niet worden gevolgd.

**Let op:** Geven verdere informatie die nodig is in een bepaalde situatie.

### Algemene productveiligheidswaarschuwingen



**WAARSCHUWING:** Lees alle veiligheidswaarschuwingen, instructies, illustraties en specificaties die worden meegeleverd met dit product. Het niet opvolgen van ieder van de onderstaande instructies kan leiden tot elektrische schokken, brand en/of ernstig letsel.

**Bewaar alle waarschuwingen en instructies voor later gebruik.** De term "product" in de waarschuwingen verwijst zowel naar producten die op het lichtnet (met snoer) werken als producten die met een accu (snoerloos) werken.

### Veiligheid van het werkgebied

- **Zorg ervoor dat de werkplek schoon en goed verlicht is.** In rommelige of donkere gebieden gebeuren eerder ongelukken.
- **Gebruik het product niet in een explosiegevaarlijke omgeving, bijv. in de buurt van ontvlambare vloeistoffen, gassen of stof.** Het product creëert vonken waardoor het stof of de dampen kunnen ontbranden.
- **Houd kinderen en omstanders op afstand wanneer u het product gebruikt.** U kunt de controle over het apparaat verliezen als u afgeleid wordt.

### Elektrische veiligheid

- **Productstekkers moeten geschikt zijn voor het betreffende stopcontact. Wijzig nooit de stekker. Gebruik nooit een adapterstekker in combinatie met gaearde producten.** Ongewijzigde stekkers en overeenkomende stopcontacten verkleinen het risico op elektrische schokken.
- **Vermijd lichamelijk contact met gaearde oppervlakken, zoals buizen, radiatoren, fornuizen en koelkasten.** Er is een verhoogd risico op elektrische schokken als uw lichaam geaard is.
- **Stel de producten niet bloot aan regen of natte omstandigheden.** Water dat in een product binnendringt, verhoogt het risico op elektrische schokken.
- **Gebruik de kabel niet voor oneigenlijke doeleinden. Gebruik de kabel nooit om het product te dragen, te trekken of om de stekker uit het stopcontact te trekken. Houd de kabel uit de buurt van warmte, olie, scherpe randen en bewegende onderdelen.** Beschadigde of in de knoop geraakte kabels verhogen het risico op elektrische schokken.
- **Gebruik een verlengkabel die geschikt is voor gebruik buitenshuis wanneer u buiten werkt met een product.** Het gebruik van een kabel die geschikt is voor gebruik buitenshuis, vermindert het risico op elektrische schokken.
- **Als gebruik van een product in een vochtige omgeving onvermijdelijk is, gebruik dan een netvoeding met aardlekschakelaar (RCD).** Gebruik van een RCD vermindert het risico op elektrische schokken.

### Persoonlijke veiligheid

- **Wees altijd alert, kijk wat u doet en gebruik uw gezonde verstand wanneer u het product gebruikt. Gebruik het product niet als u moe bent of onder invloed bent van drugs, alcohol of medicijnen.** Eén moment van onoplettendheid tijdens het gebruik van producten kan ernstig lichamelijk letsel tot gevolg hebben.
- **Maak altijd gebruik van persoonlijke beschermingsmiddelen. Draag altijd oogbescherming.** Beschermingsmiddelen zoals een stofmasker, veiligheidsschoenen met antislipprofiel, een veiligheidshelm of gehoorbescherming in relevante werkomstandigheden beperken letsel.
- **Voorkom een onbedoelde start. Zorg ervoor dat de schakelaar in de stand OFF staat voordat u het product aansluit op een spanningsbron en/of accupack, oppakt of draagt.** Het dragen van producten met uw vinger op de schakelaar of het onder spanning zetten van producten waarvan de

schakelaar op aan staat, kan makkelijk leiden tot ongelukken.

- **Verwijder eventuele (instel)sleutels voordat u het product inschakelt.** Een sleutel die is bevestigd aan een draaiend onderdeel van het product kan persoonlijk letsel tot gevolg hebben.
- **Voorkom overstrekken. Zorg dat u te allen tijde stevig en in balans staat.** Hierdoor hebt u een betere controle over het product in onverwachte situaties.
- **Draag geschikte kleding. Draag geen losse kleding of sieraden. Houd uw haar en kleding uit de buurt van bewegende onderdelen.** Losse kleding, sieraden of lang haar kunnen verstrikt raken in bewegende onderdelen.
- **Als de mogelijkheid bestaat voor het opvangen van stof moet u ervoor zorgen dat deze is aangesloten en op de juiste wijze wordt gebruikt.** Het gebruik van stofopvang kan stofgerelateerde gevaren beperken.
- **Laat de vertrouwde met de door u gebruikte producten door het frequente gebruik ervan niet toe leiden dat u de veiligheidsprincipes negeert.** Een onzorgvuldige handeling kan binnen een fractie van een seconde leiden tot ernstig letsel.

## Gebruik en onderhoud van het product

- **Forceer het product niet. Gebruik het juiste product voor de toepassing.** Het juiste product voert de werkzaamheden waarvoor het is ontworpen beter en veiliger uit.
- **Gebruik het product niet als de On/Off-schakelaar niet werkt.** Producten die niet bediend kunnen worden met de schakelaar zijn gevaarlijk en moeten gerepareerd worden.
- **Haal de stekker uit het stopcontact en/of verwijder het accupack, indien verwijderbaar, van het product voordat u aanpassingen maakt, accessoires verwisselt of producten opbergt.** Dergelijke preventieve veiligheidsmaatregelen verlagen het risico op het onbedoeld starten van het product.
- **Berg producten die u niet nodig hebt op buiten het bereik van kinderen en laat personen die onbekend zijn met het product of deze instructies niet werken met het product.** Producten zijn gevaarlijk in handen van ongetrainde gebruikers.
- **Onderhoud de producten en de accessoires.** Controleer het apparaat op verkeerde uitlijning of bevestiging van bewegende onderdelen, breuk van onderdelen en andere condities die de werking van het product negatief kunnen beïnvloeden. Als het product is beschadigd, moet u het laten repareren voordat u het gebruikt. Veel ongelukken worden veroorzaakt door slecht onderhouden producten.
- **Houd snijgereedschappen scherp en schoon.** Goed onderhouden snijgereedschappen met scherpe snijranden zullen minder gauw vastlopen en zijn eenvoudiger onder controle te houden.
- **Gebruik het product, de accessoires, gereedschapsbits en dergelijke in overeenstemming met deze instructies en houd hierbij rekening met de werkomstandigheden en het type klus dat moet**

**worden uitgevoerd.** Als u het product voor andere toepassingen gebruikt dan waarvoor het is bedoeld, kan er een gevaarlijke situatie ontstaan.

- **Houd de handgrepen en grijppoppervlakken droog, schoon en vrij van olie en vet.** Als handgrepen en grijppoppervlakken glad zijn, kan dit ervoor zorgen dat het product in onverwachte situaties niet veilig kan worden gehanteerd en bediend.

## Service

- **Laat uw product onderhouden door een gekwalificeerde onderhoudsmonteur met gebruikmaking van uitsluitend identieke vervangende onderdelen.** Hierdoor blijft de veiligheid van het product gehandhaafd.
- **Voer nooit onderhoud uit aan beschadigde accupacks.** Onderhoud aan accupacks mag alleen worden uitgevoerd door de fabrikant of geautoriseerde dienstverleners.

## Gebruik en onderhoud van gereedschap met accu

- **Laad het gereedschap alleen op met de lader die door de fabrikant is gespecificeerd.** Een lader die voor een bepaald type accu geschikt is, kan een risico op brand creëren als de lader met een andere accu wordt gebruikt.
- **Gebruik producten enkel met de specifiek hiervoor bedoelde accupacks.** Als er andere accupacks worden gebruikt, bestaat er risico op letsel en brand.
- **Als het accupack niet gebruikt wordt, houd hem dan uit de buurt van andere metalen voorwerpen, zoals paperclips, munten, sleutels, spijkers, schroeven of andere kleine metalen voorwerpen die een verbinding tussen de twee klemmen kunnen maken.** Als er kortsluiting tussen de accuaansluitingen ontstaat, kunnen er brandwonden of brand ontstaan.
- **Als het accupack verkeerd wordt gebruikt, kan er vloeistof uit de accu komen; zorg dat u deze niet aanraakt. Als u per ongeluk in contact komt met de vloeistof, afspoelen met water. Als er vloeistof in de ogen komt dient u medische hulp in te roepen.** Vloeistof die uit accu's loopt, kan irritatie of brandwonden veroorzaken.
- **Gebruik geen accupack of product dat beschadigd of gewijzigd is.** Beschadigde of aangepaste accu's kunnen onvoorspelbaar gedrag vertonen, wat kan leiden tot brand, explosies of letsel.
- **Stel het accupack of product niet bloot aan vuur of hoge temperaturen.** Blootstelling aan vuur of temperaturen hoger dan 130 °C kan een explosie veroorzaken.
- **Volg alle oplaadinstructies op en laad de accu of het product niet op bij temperaturen die buiten het in de instructies gespecificeerde bereik vallen.** Door onjuist opladen of opladen bij temperaturen die buiten het gespecificeerde bereik liggen, kan de accu beschadigd raken en neemt het risico op brand toe.

## Algemene veiligheidsinstructies



**WAARSCHUWING:** Lees de volgende waarschuwingen voordat u het product gaat gebruiken.

- Dit product is gevaarlijk als het verkeerd wordt gebruikt, of als u niet voorzichtig bent. Letsel of overleden kunnen het gevolg zijn als u de veiligheidsvoorschriften negeert.
- Dit product produceert tijdens bedrijf een elektromagnetisch veld. Dit veld kan onder bepaalde omstandigheden de werking van actieve of passieve medische implantaten verstoren. Om het risico op ernstig of dodelijk letsel te beperken, raden we personen met een medisch implantaat aan om contact op te nemen met hun arts en de fabrikant van het medische implantaat alvorens dit product te gaan gebruiken.
- Wees altijd voorzichtig en gebruik uw gezond verstand. Als u niet zeker weet hoe u het product moet bedienen in een bepaalde situatie, stop dan en informeer bij uw Husqvarna dealer voordat u verdergaat.
- Denk erom dat de bediener of gebruiker verantwoordelijk is voor ongelukken of beschadigingen aan eigendommen.
- Houd het product schoon. Zorg ervoor dat u de aanduidingen en stickers duidelijk kunt lezen.
- Laat kinderen of mensen die niet bekend zijn met deze gebruiksaanwijzing het apparaat niet gebruiken. Er kunnen plaatselijke regels zijn met betrekking tot de minimumleeftijd voor het bedienen van dit apparaat.
- Houd personen met een lichamelijke of geestelijke beperking die het product gebruiken, altijd in de gaten. Er moet te allen tijde een verantwoordelijke volwassene aanwezig zijn.
- Gebruik het product nooit als u moe of ziek bent, of onder invloed van alcohol, drugs of medicijnen verkeert. Dit heeft een negatief effect op uw visie, alertheid, coördinatie en oordeel.
- Gebruik het product niet als het beschadigd is of niet correct werkt.
- Wijzig dit product niet of gebruik het niet als het door anderen kan zijn gewijzigd.

## Werkveiligheid



**WAARSCHUWING:** Lees de volgende waarschuwingen voordat u het product gaat gebruiken.

- Gebruik het product om de begrenzingsdraad en geleidingsdraad voor robotmaaiers in de grond te plaatsen. Gebruik het product niet voor andere taken.

- Maak altijd gebruik van persoonlijke beschermingsmiddelen. Zie *Persoonlijke beschermingsuitrusting op pagina 263*.
- Zorg ervoor dat u weet hoe u de motor in een noodsituatie snel kunt stoppen.
- Gebruik het product niet in regen of natte omstandigheden. Het risico van een elektrische schok neemt toe als water het product binnendringt.
- Gebruik dit product alleen als de boor en alle afdekkingen correct zijn bevestigd. Een verkeerd bevestigde boor kan losraken en letsel veroorzaken.
- Verwijder objecten zoals takken, twijgen en stenen uit het werkgebied voordat u het product gaat gebruiken.
- Objecten die tegen de kabelguitrusting aankomen, kunnen worden uitgeworpen en schade veroorzaken aan personen en objecten. Houd omstanders en dieren op veilige afstand van het product.
- Gebruik het product nooit in slechte weersomstandigheden zoals mist, regen, sterke wind, hevige kou of als er gevaar is voor blikseminslag. Het gebruik van dit product bij slecht weer of op vochtige of natte plaatsen is vermoeiend. Slecht weer kan leiden tot gevaarlijke situaties zoals gladde ondergronden.
- Kijk uit voor personen, objecten en situaties die een veilig gebruik van het product kunnen verhinderen.
- Kijk uit voor obstakels zoals wortels, stenen, takjes, kuilen en greppels. Obstakels kunnen moeilijk te zien zijn door hoog gras.
- Gebruik het product niet op een helling van meer dan 15°.
- Ga uiterst behoedzaam te werk wanneer u van richting verandert op hellingen. Gebruik het product dwars over het oppervlak van hellingen. Ga niet van boven naar beneden.
- Wees voorzichtig wanneer u in de buurt komt van onoverzichtelijke bochten en voorwerpen die uw zicht kunnen belemmeren.
- Zorg ervoor dat de boor geen voorwerpen raakt, zoals stenen en wortels. Hierdoor kan de boor beschadigd raken en de motoras verbuigen. Een gebogen motoras veroorzaakt zware trillingen en een zeer groot risico dat de boor losraakt.
- Stop het product onmiddellijk als de boor een voorwerp raakt of als zich trillingen voordoen. Stop de motor, trek de veiligheidssleutel omhoog en verwijder de accu. Wacht tot de bewegende delen stoppen. Controleer het product op schade. Zet loszittende delen vast. Repareer en vervang beschadigde onderdelen. Laat reparatie aan de gazonmaaier uitvoeren door een erkende servicewerkplaats.
- Bevestig de boorbedrijfhendel niet permanent aan de handgreep wanneer de motor wordt gestart.
- Plaats het product op een stabiele, vlakke ondergrond en start het.
- Blijf altijd achter het product wanneer u het gebruikt.

- Zorg dat alle wielen op de grond blijven en houd 2 handen op de handgreep tijdens de bediening van het product.
- Houd uw handen en voeten uit de buurt van de roterende boor.
- Til het product niet op als u de motor start of tijdens het bedrijf van het product.
- Wees voorzichtig wanneer u het product naar achteren trekt.
- Til het product niet op terwijl de motor draait. Als u het product moet optillen, zet dan eerst de motor uit, trek de veiligheids sleutel omhoog en verwijder de accu.
- Loop niet achteruit wanneer u het product bedient.
- Laat de boorbedrijfhendel los om de boor te stoppen als het product moet worden opgetild voor transport.
- Loop niet hard met het product wanneer de motor is ingeschakeld. Loop altijd rustig wanneer u het product bedient.
- Zet de motor uit voordat u de kabelgediepte wijzigt. Voer geen afstellingen uit terwijl de motor draait.
- Houd altijd toezicht op het product wanneer de motor is gestart. Schakel de motor uit en zorg ervoor dat de boor niet draait.
- De trillingen in het product tijdens het bedrijf kunnen anders zijn dan de opgegeven trillingswaarde in *Technische gegevens op pagina 272*. Het verschil wordt veroorzaakt door variaties in productgebruik. Als u het product regelmatig of gedurende langere tijd gebruikt, moet u regelmatig onderbrekingen inlassen om letsel door trillingen te voorkomen.

## Veiligheidsinstructies voor bediening

Lees de volgende instructies voordat u het product gebruikt.

- Zorg ervoor dat de kabel op de kabelgeleiding niet beschadigd is.
- Zorg ervoor dat de buis in de invoerrib niet beschadigd is. Vervang de buis als deze is versleten of beschadigd.

(Fig. 16)

- Controleer of de rand rond het gat niet scherp of beschadigd is. Vervang de kabelgeleider als deze beschadigd is.
- Controleer of alle schroeven goed vastgedraaid zijn.
- Zorg ervoor dat alle hendels in de neutrale stand staan.

## Persoonlijke beschermingsuitrusting



**WAARSCHUWING:** Lees de volgende waarschuwingen voordat u het product gaat gebruiken.

- Persoonlijke beschermingsuitrusting kunnen niet alle risico's uitsluiten maar kunnen de ernst van eventueel letsel helpen beperken. Vraag uw

dealer u te helpen bij het kiezen van de juiste beschermingsmiddelen.

- Gebruik zware antisliplaarzen of -schoenen. Draag geen open schoenen en loop niet op blote voeten.
- Draag een lange broek van stevige stof.
- Draag zo nodig beschermende handschoenen, bijvoorbeeld bij het monteren, inspecteren of reinigen van de kabelguitrusting.
- Wij adviseren om gehoorbescherming te dragen.

## Veiligheidsvoorzieningen op het product



**WAARSCHUWING:** Lees de volgende waarschuwingen voordat u het product gaat gebruiken.

- Gebruik geen producten met veiligheidsvoorzieningen die beschadigd zijn of niet correct werken.
- Verwijder geen veiligheidsvoorzieningen en voer er geen veranderingen aan uit.
- Controleer de veiligheidsvoorzieningen regelmatig op een juiste werking. Als de veiligheidsvoorzieningen beschadigd zijn of niet goed werken, neem dan contact op met uw Husqvarna-servicewerkplaats.

## Veiligheids sleutel

De veiligheids sleutel bevindt zich onder het accudeksel. De veiligheids sleutel zorgt voor verbinding met de accu die de motor van voeding voorziet.

## De veiligheids sleutel controleren

De veiligheids sleutel zorgt voor verbinding met de accu die de motor van voeding voorziet.

- Start en stop de motor. Als de veiligheids sleutel naar behoren werkt, kan de motor alleen worden gestart wanneer de sleutel in de veiligheidsvergrendeling zit.

## Boorbedrijfhendel

De boorbedrijfhendel stopt de boor. Wanneer de boorbedrijfhendel wordt losgelaten, stopt de boor.

Voor een inspectie van de boorbedrijfhendel start u de motor en laat u de boorbedrijfhendel los. Als de boor niet binnen 3 seconden stopt, neem dan contact op met een erkende Husqvarna-servicewerkplaats.

(Fig. 17)

## Veiligheid bij accu's



**WAARSCHUWING:** Lees de volgende waarschuwingen voordat u het product gaat gebruiken.

- Gebruik uitsluitend oplaadbare batterijen van Husqvarna als voedingsbron voor gerelateerde producten van Husqvarna. Gebruik de accu niet als

voedingsbron voor andere apparaten, om letsel te voorkomen.

- Gebruik geen niet-oplaadbare accu's.
- Risico van elektrische schok. Breng de accuklemmen niet in contact met sleutels, munten, schroeven of ander metaal. Dit kan kortsluiting van de accu veroorzaken.
- Plaats geen voorwerpen in de luchtspleten van de accu.
- Bescherm de accu tegen direct zonlicht, warmte of open vuur. De accu kan exploderen en brandwonden en/of chemische brandwonden veroorzaken.
- Bescherm de accu tegen regen en vocht.
- Houd de accu uit de buurt van magnetrons en hoge druk.
- Probeer de accu niet te demonteren of te slopen.
- Als er een accu lekt, zorg er dan voor dat de vloeistof niet in aanraking komt met uw huid of ogen. Als u in aanraking bent gekomen met de vloeistof, reinig het oppervlak dan met een ruime hoeveelheid water en raadpleeg een arts.
- Gebruik de accu in het product enkel bij omgevingstemperaturen tussen 5 en 40 °C.
- Gebruik de acculader enkel bij omgevingstemperaturen tussen 5 en 40 °C.
- De accu wordt niet opgeladen als de temperatuur van de accu hoger is dan 50 °C.
- Reinig de accu of acculader nooit met water. Raadpleeg *Accu en acculader reinigen op pagina 269*.
- Gebruik geen beschadigde accu.
- Sla accu's op uit de buurt van metalen voorwerpen, bijvoorbeeld spijkers, munten en sieraden.

## Veiligheidsvoorschriften voor acculader



**WAARSCHUWING:** Lees de volgende waarschuwingen voordat u het product gaat gebruiken.

- Gebruik de QC-acculaders uitsluitend om vervangende accu's van Husqvarna op te laden.
- Gevaar voor elektrische schokken en kortsluiting. Plaats geen voorwerpen in de luchtspleten van de lader. Probeer de acculader niet te demonteren. Verbind de laadcontacten niet met metalen objecten. Gebruik een goedgekeurde wandcontactdoos.
- Dit product produceert tijdens bedrijf een elektromagnetisch veld. Dit veld kan onder bepaalde omstandigheden de werking van actieve of passieve medische implantaten verstoren. Om het risico op ernstig of fataal letsel te beperken, raden we personen met een medisch implantaat aan om contact op te nemen met hun arts en de fabrikant van het medische implantaat voordat ze dit product gaan bedienen.
- Controleer regelmatig of de voedingskabel van de acculader niet beschadigd of gescheurd is.

- Til de acculader niet op aan de voedingskabel. Trek aan de stekker om de acculader uit de wandcontactdoos te halen. Trek niet aan de voedingskabel.
- Houd de voedingskabel en de verlengsnoeren uit de buurt van water, olie en scherpe randen. Let op dat de kabel niet bekneld raakt tussen deuren, hekken e.d. Anders kan de lader onder spanning komen te staan.
- Reinig de acculader nooit met water.
- De acculader kan worden gebruikt door kinderen vanaf 8 jaar en ouder en andere personen die ondanks hun fysieke, sensorische of geestelijke handicap of gebrek aan ervaring en kennis onder toezicht of instructie van een verantwoordelijke persoon in staat zijn veilig gebruik te maken van de acculader en op de hoogte zijn van alle gevaren. Kinderen mogen niet spelen met de acculader. Kinderen mogen het apparaat niet zonder toezicht reinigen of onderhouden.
- Laad niet-oplaadbare accu's niet op in de acculader.
- Gebruik de acculader niet in de buurt van brandbare materialen of materialen die corrosie kunnen veroorzaken. Dek de acculader niet af. Haal de stekker van de acculader uit de wandcontactdoos bij rookontwikkeling of brand.
- Gebruik geen beschadigde acculader.
- De accu mag alleen binnenshuis worden opgeladen op een plek met voldoende ventilatie en zonder direct zonlicht. Laad de accu niet op in vochtige omstandigheden.

## Veiligheidsinstructies voor onderhoud



**WAARSCHUWING:** Lees de volgende waarschuwingen voordat u het product gaat gebruiken.

- Verwijder de veiligheidssleutel voordat u onderhoud aan het product uitvoert.
- Voer de onderhoudswerkzaamheden naar behoren uit om de levensduur van het product te verlengen en het risico op ongevallen te verlagen. Laat professionele reparaties uitvoeren door een erkende servicewerkplaats. Neem contact op met uw dichtstbijzijnde servicewerkplaats voor meer informatie.
- Voer alleen onderhoudswerkzaamheden uit zoals beschreven in deze bedieningshandleiding.
- Draag handschoenen voor zwaar gebruik wanneer u de kabelgeuitrusting aanraakt.
- Houd het product schoon voor optimale prestaties en veiligheid.
- Laat het product regelmatig controleren door uw servicewerkplaats en laat noodzakelijke aanpassingen en reparaties uitvoeren.
- Vervang beschadigde, versleten of defecte onderdelen.



- Volg de instructies voor het vervangen van accessoires. Gebruik alleen accessoires van de fabrikant.
- Houd het product, de accu en de acculader, wanneer deze niet in gebruik zijn, apart in een

droge, afgesloten locatie binnenshuis. Zorg dat kinderen en niet-geautoriseerde personen geen toegang hebben tot het product, de accu of de acculader.

## Montage

### Inleiding



**WAARSCHUWING:** Zorg dat u het hoofdstuk over veiligheid hebt gelezen en begrepen voordat u het apparaat monteert.

### De boor installeren

1. Plaats de boor (A) in de boorkop (B) en installeer de lange schroef (C). (Fig. 18)

**Let op:** Een inbussleutel van 6 mm is nodig om de boor te installeren.

2. Monteer de boorkop op de as (D) met de korte schroef (E).
3. Draai de schroeven vast.

### De kabel installeren

De kabel heeft een kabelopwindmechanisme met koppeling dat verwijderd kan worden.

1. Plaats de kabel op het kabelopwindmechanisme. Gebruik de knop om het kabelopwindmechanisme rechtsom te draaien.

**Let op:** De kabel moet rechtsom op het kabelopwindmechanisme worden geïnstalleerd, zodat deze soepel wordt afgewikkeld tijdens bedrijf. (Fig. 19)

2. Duw de kabel in de buis in de invoerrib (A) tot de kabel ca. 5 cm uit de onderkant (B) komt. (Fig. 20)

### Het kabelopwindmechanisme installeren en verwijderen

1. Draai de knop (A) los. (Fig. 21)
2. Verwijder de houder (B).
3. Verwijder het kabelopwindmechanisme (C).
4. Installeer het kabelopwindmechanisme (D). Gebruik de adapter indien nodig. (Fig. 22)
5. Monteer de houder (E) en draai de knop (F) vast.

## Werking

### Inleiding



**WAARSCHUWING:** Voordat u het product gaat gebruiken, dient u het hoofdstuk over veiligheid te lezen en hebben begrepen.

### Husqvarna Fleet Services™

Husqvarna Fleet Services™ is een cloudoplossing die de gebruiker een overzicht geeft van alle verbonden producten. Op dit product kan een Husqvarna Fleet Services™-sensor worden geïnstalleerd. De Husqvarna Fleet Services™-sensor verzamelt gegevens over het product en maakt verbinding met het Husqvarna Fleet Services™-systeem mogelijk. Het Husqvarna Fleet Services™-systeem meldt gegevens zoals gebruikstijd, onderhoudsintervallen en locatie van het product.

Voor meer informatie over Husqvarna Fleet Services™: download de Husqvarna Fleet Services™-app of neem contact op met uw Husqvarna-vertegenwoordiger.

### De sensor (accessoire) voorbereiden

1. Gebruik de sensorsleutel om het deksel van de sensor te openen. (Fig. 23)

2. Verwijder de sensor.
3. Bevestig de accu op de sensor. De led van de sensor gaat branden. (Fig. 24)
4. Download de Husqvarna Fleet Services™-app.
5. Meld u aan bij de Husqvarna Fleet Services™-app.
6. Koppel het product. Zie *De app en het product koppelen op pagina 265*

### De app en het product koppelen

1. Meld u aan bij de Husqvarna Fleet Services™-app.
2. Selecteer uw product in de app.
3. Scan de code achter de sensor met uw mobiele apparaat om de sensor in de app te installeren.

**Let op:** U hoeft de app en het product slechts eenmaal te koppelen.

### De sensor monteren

1. Zorg ervoor dat de sensor goed is verbonden met de Husqvarna Fleet Services™-app. Zie *De app en het product koppelen op pagina 265*.
2. Boor 2 gaten door de markeringen in de sleuf van de behuizing. (Fig. 25)

**Let op:** Zorg ervoor dat de gaten dezelfde afmeting hebben als de klinknagels die bij de sensor zijn geleverd.

3. Gebruik een tang om de buitenste gaten in de sensorsleuf te verwijderen. (Fig. 26)
4. Boor 2 gaten door de markeringen in de sensorsleuf. (Fig. 27)
5. Lijn de sensorsleuf uit met de sleuf in de behuizing. (Fig. 28)
6. Bevestig de sensorsleuf met de klinknagels.
7. Breng de sensor aan in de sensorsleuf. Lijn de witte markering op de sensor uit met de markering op de sensorsleuf. (Fig. 29)
8. Sluit het deksel van de sensor en vergrendel het met de sensorsleutel. Zorg ervoor dat de bovenkant van de "H" van Husqvarna niet richting de veiligheidssleutel wijst. (Fig. 30)

## Accu



**WAARSCHUWING:** Voordat u het product gebruikt, dient u het hoofdstuk over veiligheid te lezen en hebben begrepen. Zorg er ook voor dat u de bedieningshandleiding bij de accu en de acculader hebt gelezen en begrepen.

Houd de accu en de acculader in de correcte omgevingstemperaturen.

	Omgevingstemperatuur
Accu gebruiken	5 °C – 40 °C
Accu laden	5 °C – 40 °C

## Accustatus

Het display geeft de resterende accucapaciteit aan en geeft aan of er problemen zijn met de accu. De accucapaciteit wordt gedurende 5 seconden nadat het product is uitgeschakeld, weergegeven na het indrukken van de accu-indicatorknop. Het waarschuwingssymbool op de accu gaat branden als er een fout is opgetreden. Zie *Accu op pagina 270*.

(Fig. 31)

LED-lampjes	Accustatus
Alle leds branden	Volledig opgeladen (75-100%)
Led 1, led 2, led 3 branden	De accu is 50%-75% opgeladen
Led 1, led 2 branden	De accu is 25%-50% opgeladen

LED-lampjes	Accustatus
Led 1 brandt	De accu is 0%-25% opgeladen.
LED 1 knippert	De accu is leeg. Laad de accu op.

## De accu opladen

Laad de accu voor het eerste gebruik op. De accu is slechts 30% opgeladen wanneer deze aan de klant wordt geleverd.

**Let op:** De acculader moet worden aangesloten op de spanning en frequentie die overeenkomen met de specificaties op het productplaatje.

De accu wordt niet opgeladen als de accutemperatuur hoger is dan 50°C. De acculader verlaagt de temperatuur van de accu voordat deze begint te laden.

1. Sluit een uiteinde van de voedingskabel voor de acculader aan op de aansluiting van de acculader.
2. Sluit het andere uiteinde van de voedingskabel van de acculader aan op een geaarde wandcontactdoos. De LED op de acculader licht eenmaal groen op. (Fig. 32)
3. Plaats de accu in de acculader. Het groene lampje op de lader gaat branden wanneer de accu correct is aangesloten op de acculader. (Fig. 33)
4. Wanneer alle LED's op de accu branden, is de accu volledig opgeladen. Laad de accu max. 24 uur op.
5. Om de acculader uit de wandcontactdoos los te koppelen, dient u aan de stekker, niet aan de kabel te trekken.
6. Haal de accu uit de acculader.

## Acculaadstatus

Een Li-ionaccu van Husqvarna kan worden opgeladen en gebruikt bij alle laadniveaus. De accu wordt niet beschadigd. Een volledig opgeladen accu zal geen lading verliezen, zelfs niet wanneer de accu in de lader blijft staan.

LED-display	Laadstatus
LED 1 knippert	0%-25%
Led 1 brandt, led 2 knippert	25%-50%
Led 1 en led 2 branden, led 3 knippert	50%-75%
Led 1, led 2 en led 3 branden, led 4 knippert	75%-100%
Led 1, led 2, led 3, led 4 branden	Volledig opgeladen

## Voordat u het product gebruikt

1. Bespoei in de zomer of bij droge grond de grond de dag voor de werkzaamheden.
2. Zorg ervoor dat dieren zich op minimaal 20 meter van het product bevinden.
3. Plaats de kabel op het kabelopwindmechanisme. Zie *De kabel installeren op pagina 265*.
4. De kabellegdiepte afstellen. Zie *De kabellegdiepte afstellen op pagina 267*.
5. Sluit het uiteinde van de kabel op een kram aan.

## Product starten

1. Kantel de handgreep naar de zijkant. Raadpleeg *De handgreep kantelen op pagina 267*.
2. Open het accudeksel.
3. Plaats een opgeladen accu in accusleuf 1 onder het accudeksel. Plaats een tweede opgeladen accu in accusleuf 2 voor een langere bedrijfstijd.
4. Koppel de veiligheidssleutel los van de houder van de veiligheidssleutel.
5. Duw de veiligheidssleutel in de veiligheidsvergrendeling. (Fig. 34)
6. Blijf achter het product.
7. Druk op de stand-by-knop (A) op het bedieningspaneel. Het stand-by-lampje (B) wordt ingeschakeld. (Fig. 35)
8. Druk op de start/stop-knop (C) totdat deze ingedrukt blijft. De motor wordt gestart.



**OPGELET:** Gebruik het product niet als het waarschuwinglampje (D) rood knippert.

9. Duw de boorbedrijfhendel in de richting van de handgreep om de boor in te schakelen. (Fig. 36)

## De aandrijving op de wielen gebruiken

- Trek de aandrijfregelhendel (A) in de richting van de handgreep om de aandrijving op de wielen in te schakelen. (Fig. 37)
- Laat de aandrijfregelhendel los om de aandrijving op de wielen uit te schakelen.

## De kabellegdiepte afstellen

1. Draai de knop (A) los. (Fig. 38)
2. Stel het steunwiel (B) af op de noodzakelijke kabellegdiepte en draai de knop vast.

**Let op:** De getallen (C) aan de zijkant van de steunwielbuis laten de kabellegdiepte in cm zien. De kabellegdiepte kan worden aangepast tussen 1-6 cm.

## De hoogte van het stuur aanpassen

De hoogte van de handgreep is in 5 posities verstelbaar.

1. Draai de hendel (A) linksom om deze los te maken en de knop (B) te verwijderen. (Fig. 39)
2. Pas de hoogte van de handgreep aan en installeer de knop in het gat van de dichtstbijzijnde positie.
3. Draai de hendel rechtsom om deze vast te draaien.

## De handgreep kantelen

U kunt de handgreep kantelen om te voorkomen dat u wordt geraakt door voorwerpen tijdens gebruik. De handgreep kan in 4 posities aan de rechterkant en 4 posities aan de linkerkant worden gekanteld.

1. Trek de kantelhendel van de handgreep (A) in de richting van de handgreep en houd deze vast. De kantelhendel van de handgreep bevindt zich linksom op de handgreep. (Fig. 40)
2. Kantel de handgreep naar 1 van de 4 posities aan de linker- of rechterkant en laat de kantelhendel van de handgreep los. Zorg ervoor dat de pen die de handgreeppositie vergrendelt zich in 1 van de sleuven bevindt. (Fig. 41)

## De zwenkfunctie van de invoerrib vergrendelen

Om de nauwkeurigheid van de richting te verhogen als u de kabel in lange rechte delen plaatst, kunt u de zwenkfunctie van de invoerrib vergrendelen.

- Zorg ervoor dat de invoerrib in dezelfde richting als het product staat en haal de hendel aan (A). (Fig. 42)

## De kabelgeleider afstellen

Het product is afgesteld voor kabels van 4 mm. Als de kabel een grotere diameter heeft, moet de kabelgeleider worden afgesteld.

1. Draai de 2 schroeven los. (Fig. 43)
2. Beweeg de kabelgeleider enkele millimeters omhoog.
3. Draai de 2 schroeven vast.

## De spoorbreedte afstellen

De positie van de wielen kan voor verschillende spoorbreedtes worden aangepast. Er zijn 4 aanpassingsgaten in de as aan de linkerkant en 4 aanpassingsgaten in de as aan de rechterkant. De spoorbreedte kan worden afgesteld op 250, 270, 290 of 310 mm vanaf het midden van de boor. (Fig. 44)

1. Trek de pen (A) eruit.
2. Pas de wielen aan de noodzakelijke spoorbreedte aan.

- Plaats de pen in een van de 4 gaten (B) in de as.
- Vergrendel de veiligheidsveer.

## De werkzaamheden starten

Nadat de kabel en boor zijn gemonteerd, moet de gebruiker de kabel op de grond bevestigen.

- Zet een staak in de grond.
- Bevestig het gedeelte van de kabel vanaf de onderkant van het kabelgeleider op de kram.

## De 2-kabelgeleider gebruiken

Als het product zich niet aan de buitenkant van het werkgebied bevindt, moet u 2 kabels tegelijk aansluiten.

- Plaats 1 kabel langs de gehele omtrek. Zie afbeelding (A) en (B). (Fig. 45) (Fig. 46)
- Als u op het punt bent dat in afbeelding (C) wordt weergegeven, moet u het steunwiel in de hoogste positie plaatsen om de invoerrib vanuit de grond te verwijderen. Bevestig de kabel met een kram en ga boven de grond door met de kabel tot u bij het volgende punt bent. (Fig. 47)
- Bevestig de kabel met een kram op het punt dat wordt aangegeven in afbeelding (D). (Fig. 48)
- Plaats de invoerrib in de correcte kabelgediepte en ga door met het leggen van de kabel om het eiland te maken. Zie afbeelding (E). (Fig. 49)
- Wanneer u het punt bereikt dat wordt aangegeven in afbeelding (F), verwijdert u de kram en reinigt u de invoerrib. Zie *De invoerrib reinigen op pagina 269*. (Fig. 50)

- Monteer de kabel bovengronds in de kabelgeleider. (Fig. 51)
- Schuif de twee kabels tegelijkertijd tot het punt dat wordt aangegeven in afbeelding (G). Bevestig de 2 kabels aan een kram en haak de tweede kabel los van de kabelgeleider. (Fig. 52)
- Ga door met het schuiven van de omtrekkebel naar het punt dat wordt aangegeven in afbeelding (H). (Fig. 53)

## Product stoppen

Het product stopt automatisch als het 3 minuten niet wordt bediend.

- Laat de aandrijfhendel (A) los om de aandrijving op de wielen uit te schakelen. (Fig. 37)
- Laat de boorbedrijfhendel los om de boor te stoppen. (Fig. 17)
- Druk op de start/stop-knop op het bedieningspaneel.
- Druk op de stand-by-knop op het bedieningspaneel.
- Open het accudeksel.
- Verwijder de veiligheidssleutel uit de veiligheidsvergrendeling en plaats de sleutel in de houder voor de veiligheidssleutel.
- Gebruik de schraper om de invoerrib schoon te maken. Zie *De invoerrib reinigen op pagina 269*.
- Reinig en smeer de boorkop na elk gebruik. Zie *De boorkop reinigen en smeren op pagina 269*.

# Onderhoud

## Inleiding



**WAARSCHUWING:** Voordat u onderhoud gaat uitvoeren, dient u het hoofdstuk over veiligheid te lezen en hebben begrepen.

Voor alle onderhouds- en reparatiewerkzaamheden aan het product is speciale training nodig. Wij garanderen de beschikbaarheid van professionele reparaties en onderhoud.

Zie [www.husqvarna.com](http://www.husqvarna.com) voor meer gedetailleerde informatie.

## Onderhoudsschema

De onderhoudsintervallen worden berekend op basis van het dagelijks gebruik van het product. De intervallen veranderen als het product niet dagelijks wordt gebruikt.

Voor onderhoud dat is gemarkeerd met \*, zie *Veiligheidsvoorzieningen op het product op pagina 263*.

	Elk gebruik	Maandelijks	Elk seizoen
Voer een algemene inspectie uit.	X		
Controleer of de veiligheidsvoorzieningen op het product in orde zijn *.	X		
Inspecteer de boor en de invoerrib.	X		
Inspecteer de boorbedrijfhendel *.	X		
Controleer of de start/stop-knop correct werkt en niet defect is.	X		

	Elk gebruik	Maandelijks	Elk seizoen
Controleer de accu op beschadigingen.	X		
Controleer het laadniveau van de accu.	X		
Controleer of de ontgrendelknoppen op de accu naar behoren werken en de accu in het product wordt vergrendeld.	X		
Reinig de luchtinlaten op de motor. Zorg ervoor dat er geen gras of vuil op de luchtinlaten zit.	X		
Smeer ongelakte onderdelen.	X		
Smeer onderdelen waar de zinklaag versleten is.	X		
Reinig en smeer de boorkop.	X		
Reinig de invoerrib.	X		
Controleer de acculader op beschadiging en zorg dat deze naar behoren werkt.		X	
Controleer de verbindingen tussen de accu en het product. Controleer ook de verbinding tussen de accu en de acculader.			X

## De invoerrib reinigen

- Gebruik de schraper om grond te verwijderen en de invoerrib schoon te maken. (Fig. 54)

## De invoerrib vervangen

1. Kantel het product naar voren en plaats het langzaam op de grond.
2. Verwijder de 2 schroeven (A) en de invoerrib (B). (Fig. 55)
3. Monteer de nieuwe invoerrib in omgekeerde volgorde van verwijderen.

## De boor vervangen

1. Verwijder gras en vuil van het product.



**OPGELET:** Zorg ervoor dat vuil of andere ongewenste materialen niet in de boor komen tijdens het installatieproces.

**Let op:** Reinig en smeer de behuizing van de boor altijd na gebruik.

2. Verwijder de korte schroef (A) en de boorkop (B) uit de as (C). (Fig. 56)

**Let op:** Een inbussleutel van 6 mm is nodig om de boor te vervangen.

3. Verwijder de lange schroef (D) en de boor (E) uit de boorkop.
4. Plaats een nieuwe boor in de boorkop en installeer de lange schroef.
5. Monteer de boorkop op de as.

6. Draai de schroeven vast.

## De boorkop reinigen en smeren

Reinig de boorkop volledig na elk gebruik.

1. Kantel het product naar voren en plaats het langzaam op de grond.
2. Verwijder gras, vuil en ander ongewenst materiaal met een zachte borstel.
3. Gebruik perslucht om de kleinere gras- en vuildelen te verwijderen.
4. Verwijder de schroeven (A) van de boorkop (B) en verwijder de boor (C). (Fig. 56)
5. Draai de 2 schroeven (D) los en verwijder de invoerrib (E). (Fig. 57)
6. Verwijder de schroef (F) en verwijder de boorkop (G) van de as (H). (Fig. 58)
7. Gebruik perslucht voor het reinigen van het product. Zorg ervoor dat al het vuil, gras en ander ongewenst materiaal verwijderd zijn.
8. Verwijder indien nodig vuil vet met een geschikt oplosmiddel.
9. Reinig alle onderdelen met een geschikt oplosmiddel en smeer elk onderdeel.
10. Breng waterafstotend vet aan op de as. (Fig. 59)

## Accu en acculader reinigen



**WAARSCHUWING:** Reinig de accu of acculader nooit met water.



**WAARSCHUWING:** Gebruik nooit chemische middelen om de accu te reinigen.

- Zorg ervoor dat de accu en de acculader schoon en droog zijn voordat u de accu in de acculader plaatst.

- Reinig de accupolen met perslucht of gebruik een zachte en droge doek.
- Reinig de oppervlakken van de accu en de acculader met een zachte en droge doek.

## Probleemoplossing

### Probleemoplossing

Als u in deze richtlijnen geen oplossing voor uw probleem kunt vinden, neem dan contact op met uw Husqvarna-servicewerkplaats.

Probleem	Oorzaak
De motor start niet.	De accu is niet opgeladen.
	De accu is niet correct geïnstalleerd.
	De accu is defect.
	Het bedieningspaneel is defect.
De boor draait niet.	De riem is versleten.
	De riem is uit de poelies gekomen.
	De hendel plaatst onvoldoende spanning op de riem.
De boor blijft draaien als de boorbedrijfshendel is losgelaten.	De draad van de boorbedrijfshendel is versleten of beschadigd.
Het product werkt niet correct.	De boor is versleten of beschadigd.
	De boor is niet correct geïnstalleerd.
Het product beweegt niet wanneer de aandrijfshendel is ingeschakeld.	De draad van de aandrijfshendel is versleten of beschadigd.
	De aandrijfriemen van de transmissie zijn versleten.
	De ketting is kapot of heeft onvoldoende spanning.
	De koppelingsplaten in het transmissiehuis zijn versleten.
De boorkop kan niet worden verwijderd.	Er zit ongewenst materiaal in de eenheid.
	Er is roestvorming in het systeem.
De isolatie van de kabel in de grond is beschadigd.	Het kabeluitlaatgat op de invoerrib is beschadigd.
	De buis met de kabel die deel uitmaakt van de invoerrib is vuil.

### Accu

LED op de accu	Oorzaak	Oplossing
De groene led knippert.	De accuspanning is laag.	Laad de accu op. Zie <i>De accu opladen op pagina 266</i> .

LED op de accu	Oorzaak	Oplossing
De fout-led knippert.	De accu is zwak.	Laad de accu op. Zie <i>Accu op pagina 270</i> .
	De temperatuur in de werkomgeving is te hoog of te laag.	Gebruik de accu bij temperaturen tussen -10 °C en 40 °C.
	Overspanning.	Controleer of de netspanning overeenkomt met de spanning die is aangegeven op het typeplaatje op het product. Haal de accu uit de acculader. Wacht 5 seconden en probeer de accu opnieuw op te laden. Indien het probleem zich blijft voordoen, neem dan contact op met een erkende servicewerkplaats.
De fout-led brandt.	Het celverschil is te groot (1 V).	Neem contact op met een erkende servicewerkplaats.

## Acculader

LED op de acculader	Oorzaak	Oplossing
De fout-led knippert.	De temperatuur in de werkomgeving is te hoog of te laag.	Gebruik de acculader bij temperaturen tussen 5 °C en 40 °C.
De fout-led brandt.		Neem contact op met een erkende servicewerkplaats.

## Bedieningspaneel

Foutcode (aantal keer knipperen)	Mogelijke fouten	Mogelijke procedure
5	Het motortoerental daalt te veel en de motor stopt.	Reinig de boorkop en verlaag de kabellegdiepte. Zie <i>De boorkop reinigen en smeren op pagina 269</i> en <i>De kabellegdiepte afstellen op pagina 267</i> . Indien de fout zich blijft voordoen, neemt u contact op met uw erkende servicewerkplaats.
8	De accu is zwak.	Laad de accu op. Zie <i>De accu opladen op pagina 266</i> .
9	Accufout of geen signaal van de accu.	Plaats de accu correct in het product en controleer de accuconnector. Zie <i>Accu op pagina 270</i> als de fout-led op de accu knippert.
10	De motorregeling is te warm.	Stop de motor en wacht tot hij is afgekoeld.
Andere fouten	Als er andere fouten optreden, verwijdt u de veiligheidssleutel en de accu en neemt u contact op met een erkende servicewerkplaats.	

# Vervoer, opslag en verwerking

## Inleiding



**WAARSCHUWING:** Voorkom onbedoeld starten tijdens transport door de veiligheidssleutel omhoog te trekken, de accu te verwijderen en ten minste 5 seconden te wachten.

## Transport

- De wettelijke vereisten voor gevaarlijke stoffen zijn van toepassing voor de Li-ion-accu's die in het product zitten.
- Voor commercieel transport moet aan speciale vereisten voor de verpakking en labels worden voldaan.
- Zorg dat u de regels voor gevaarlijke materialen in acht neemt bij het voorbereiden van het product voor transport. Er kunnen lokale voorschriften van toepassing zijn.
- Verwijder voor transport altijd de accu.
- Plaats tape op de accuconnectors en zorg ervoor dat de accu niet kan bewegen tijdens transport.
- Zet het product vast tijdens transport.

## Opslag

- Laat het product voor opslag afkoelen.
- Verwijder voor opslag altijd de accu.
- Om ongevallen te voorkomen, dient u ervoor te zorgen dat de accu tijdens opslag niet op het product is aangesloten.
- Bewaar de acculader in een afgesloten en droge ruimte.
- Bewaar de accu en de acculader op een droge, vocht- en vorstvrije plaats.
- Koppel de accu tijdens opslag los van de accu.

- Bewaar de accu niet op plaatsen waar statische elektriciteit aanwezig is. Bewaar de accu niet in een metalen doos.
- Bewaar het product in omgevingstemperaturen tussen -10 °C en 40 °C.
- Bewaar de accu in omgevingstemperaturen tussen 5 °C en 25 °C en nooit in direct zonlicht.
- Bewaar de acculader in omgevingstemperaturen tussen 5 °C en 45 °C en nooit in direct zonlicht.
- Zorg ervoor dat de accu tussen de 30% en 50% is opgeladen alvorens langdurige opslag.
- Bewaar het product, de accu en de acculader in een afgesloten ruimte, buiten bereik van kinderen en onbevoegden.
- Reinig het product.
- Voer de onderhoudsprocedures uit die in deze bedieningshandleiding staan beschreven. Zie *Onderhoudsschema op pagina 268*.
- Voer een volledige servicebeurt uit voordat u het product voor langere tijd opslaat.

## Afvoeren

Symbolen op het product of op de verpakking van het product geven aan dat dit product niet beschouwd kan worden als huishoudelijk afval. Het moet worden ingeleverd bij een geschikt inzamelstation voor het terugwinnen van elektrische en elektronische apparatuur.

Als u ervoor zorgt dat dit product goed wordt verwerkt, helpt u mogelijk negatieve gevolgen voor het milieu en mensen door verkeerd afvalbeheer van dit product tegen te gaan. Neem voor meer informatie over het recyclen van dit product contact op met de gemeente, het afvalverwerkingsbedrijf of de winkel waar u het product hebt gekocht.

(Fig. 60)

## Technische gegevens

Boormotor	
Motortype	BLDC (borstelloos) 36 V
Motortoerental – nominaal, tpm	3000/min
Motortoerental – hoge belasting, tpm	3300/min
Uitgangsvermogen motor – maximaal, kW	1.8
Uitgangsvermogen motor – nominaal, kW	1.2
Transmissie	Mechanische tandwielkast met oliebadtandwielen
Koppeling	Riemtype, met poelie



<b>Gewicht</b>	
Gewicht zonder accu, kg	39
Gewicht inclusief 2 x BLi300, kg	43
<b>Accu</b>	
Type accu	Husqvarna Accuserie
<b>Gebruiksduur accu</b>	
Gebruiksduur van accu in minuten <sup>61</sup>	38
<b>Geluidsemissies <sup>62</sup></b>	
Geluidsvermogeniveau, gemeten L <sub>WA</sub> dB (A)	84
Geluidsvermogensniveau, gegarandeerd L <sub>WA</sub> dB (A)	86
<b>Geluidsniveaus <sup>63</sup></b>	
Geluidsdrukniveau bij het oor van de gebruiker, dB (A)	66
<b>Trillingsniveau <sup>64</sup></b>	
Hendel, m/s <sup>2</sup>	1.8
<b>Kabelleguitrusting</b>	
Kabellegdiepte, cm	1-6
Afstand tussen boor en wielrand, mm	250, 270, 290, 310
Boor	597 04 84-01

Goedgekeurde accu's	Merk	Type	Accucapaciteit, Ah	Spanning, V	Gewicht, lb/kg
BLi300	Husqvarna	Lithium-ion	9.4	36	4,1/1,9

Goedgekeurde laders voor de gespecificeerde accu's, BLi	Merk	Ingangsspanning, V	Frequentie, Hz	Vermogen, W
QC500	Husqvarna	100–240	50–60	500

<sup>61</sup> Onbelast gebruik, gemeten met standaardmodus geactiveerd en 1 Husqvarna 9,4Ah-accu (BLi300).

<sup>62</sup> Geluidsemissie naar de omgeving gemeten als geluidsvermogen (L<sub>WA</sub>) volgens EG-richtlijn 2000/14/EG.

<sup>63</sup> De gerapporteerde gegevens voor het geluidsdrukniveau vertonen een typische statistische spreiding (standaardafwijking) van 1,2 dB (A).

<sup>64</sup> De gerapporteerde gegevens voor een trillingsniveau vertonen een typische statistische spreiding (standaardafwijking) van 0,2 m/s<sup>2</sup>. Trillingsnorm EN 1032+A1:2009.

---

# Verklaring van overeenstemming

---

## EU-verklaring van overeenstemming

Wij, **Husqvarna AB**, SE-561 82 Huskvarna,  
Zweden, tel: +46-36-146500, verklaren onder onze  
alleenverantwoordelijkheid dat het product:

<b>Beschrijving</b>	Kabellegger
<b>Merk</b>	Husqvarna
<b>Type / model</b>	CL400i
<b>Identificatie</b>	Serienummers vanaf 2022 en verder

volledig voldoet aan de volgende EU-richtlijnen en  
-regelgeving:

<b>Verordening</b>	<b>Beschrijving</b>
2006/42/EG	"betreffende machines"
2014/30/EU	"betreffende elektromagnetische compatibiliteit"
2011/65/EU	"inzake beperking van het gebruik van bepaalde gevaarlijke stoffen in elektrische en elektro- nische apparatuur"

en dat de volgende normen en/of technische  
specificaties zijn toegepast: EN ISO 12100:2010,  
EN ISO 14119:2013, EN ISO 14120:2015, EN ISO  
13857:2019, EN 62841-1:2015+AC:2015, EN ISO  
11202:2010, EN 1032:2009, EN 55014-1:2017, EN  
55014-2:2015, EN 63000:2018.

Voor informatie over geluidsemissies, zie *Technische  
gegevens op pagina 272*.

Huskvarna, 2022-03-21



Claes Losdal, Development Manager/Garden Products,  
Husqvarna AB

Verantwoordelijk voor technische documentatie



---

# INNHold

---

Innledning.....	275	Feilsøking.....	285
Sikkerhet.....	276	Transport, oppbevaring og avhending.....	287
Montering.....	280	Tekniske data.....	288
Drift.....	280	Samsvarserklæring.....	290
Vedlikehold.....	283		

---

## Innledning

---

### Produktbeskrivelse

Produktet er en kabellegger som styres manuelt.

### Produktoversikt

(Fig. 1)

1. Borets driftsbøyle
2. Vippebøyle på håndtaket
3. Sikkerhetsbøyle
4. Teller
5. Kabelvikler
6. Matefinne
7. Bor
8. Kontrollpanel
9. Tenningsnøkkel
10. Batteri (tilbehør)
11. Batterilader (tilbehør)
12. Bruksanvisning

### Symboler på produktet

(Fig. 2)      ADVARSEL

(Fig. 3)      Advarsel: Roterende deler. Hold hender og føtter unna.

(Fig. 4)      Se opp for gjenstander som slynges ut og rikosjetterer.

(Fig. 5)      Les instruksjonene.

(Fig. 6)      Hold personer og dyr på trygg avstand fra arbeidsområdet.

(Fig. 7)      Fare for øyeskade på tilskuere.

(Fig. 8)      Må ikke utsettes for regn.

(Fig. 9)      Bruk vernevisir.

(Fig. 10)     Standby-modus (svart knapp).

### Bruksområder

Bruk produktet til å legge avgrensningsløyfen og guidekabelen for robotgressklippere ned i bakken. Ikke bruk produktet til andre oppgaver.

(Fig. 10)     Start og stopp motoren (rød knapp).

(Fig. 11)     Produktet og produktemballasjen er ikke restavfall. Resirkuler det på et gjenvinningsanlegg for elektrisk og elektronisk utstyr.

(Fig. 12)     Dette produktet samsvarer med gjeldende EC-direktiver.

(Fig. 13)     Dette produktet samsvarer med gjeldende britiske direktiver.

(Fig. 14)     Støyutslipp til omgivelsene som i EU-direktiver og forskrifter, britiske direktiver og forskrifter og New South Wales-forskriften «Protection of the Environment Operations (Noise Control) Regulation 2017». Garantert lydeffektnivå for produktet er angitt i *Tekniske data på side 288* og på etiketten.

(Fig. 15)     Produktet er dryppebeskyttet.

---

**Merk:** Øvrige symboler/klistremerker angitt på produktet gjelder sertifiseringskrav for visse markeder.

---

### Skader på produktet

Vi er ikke ansvarlige for skader på produktet vårt hvis:

- Produktet er reparert på feil måte.
- Produktet er reparert med deler som ikke kommer fra produsenten eller som ikke er godkjent av produsenten.
- Produktet har et tilbehør som ikke kommer fra produsenten eller som ikke er godkjent av produsenten.

- Produktet er ikke reparert på et godkjent servicesenter eller av en godkjent aktør.

---

## Sikkerhet

---

### Sikkerhetsdefinisjoner

Advarsler, oppfordringer og merknader brukes for å understreke spesielt viktige deler av bruksanvisningen.



**ADVARSEL:** Brukes hvis det er fare for personskade eller død for brukeren eller andre personer om instruksjonene i håndboken ikke følges.



**OBS:** Brukes hvis det er fare for skade på produktet, annet materiell eller nærliggende områder om instruksjonene i håndboken ikke følges.

**Merk:** Brukes for å gi mer nødvendig informasjon for en spesifikk situasjon.

### Generelle sikkerhetsadvarsler for produkt



**ADVARSEL:** Les alle sikkerhetsadvarsler, instruksjoner, illustrasjoner og spesifikasjoner som fulgte med dette produktet. Hvis du ikke følger alle instruksjonene som er angitt nedenfor, kan det føre til elektrisk støt, brann og/eller alvorlige skader.

**Ta vare på alle advarsler og instruksjoner for fremtidig bruk.** Begrepet «produkt» i advarslene refererer til elektriske produkter som drives av nettstrøm (med ledning) eller batteri (uten ledning).

### Sikkerhet i arbeidsområdet

- **Hold arbeidsområdet rent og godt opplyst.** Rot og dårlig opplyste områder kan lett føre til ulykker.
- **Ikke bruk produktet i eksplosiv atmosfære, for eksempel der det finnes brennbare væsker, gasser eller støv.** Produktet danner gnister som kan antenne støv eller gasser.
- **Hold barn og andre tilskuere på avstand når produktet er i bruk.** Distraksjoner kan føre til at du mister kontrollen.

### El-sikkerhet

- **Støpselet til produktet må passe til stikkkontakten.** Du må aldri modifisere støpselet på noen måte. **Ikke bruk adapterpluggen sammen med jordete produkter.** Når støpselet/pluggen ikke er modifisert og stikkkontakten passer, vil dette redusere faren for elektrisk støt.

- **Unngå kroppskontakt med jordede flater, for eksempel rør, radiatorer, komfyrer og kjøleskap.** Faren for elektrisk støt øker hvis kroppen til brukeren er jordat.
- **Produktet må ikke utsettes for regn eller fuktighet.** Hvis det kommer vann inn et produkt, øker faren for elektrisk støt.
- **Ledningen må håndteres forsiktig. Bruk aldri ledningen til å bære, trekke med deg, eller til å trekke ut støpselet til produktet. Hold ledningen unna varme, olje, skarpe kanter og bevegelige deler.** Skadet eller sammenflokete ledninger øker faren for elektrisk støt.
- **Når et produkt brukes utendørs, må det brukes en skjøtleddning som er egnet for utendørsbruk.** Bruk av ledning for utendørs bruk reduserer faren for elektrisk støt.
- **Hvis et produkt må brukes på et fuktig sted, bør det være koblet til en strømkrets som er beskyttet av jordfeilbryter.** Bruk av jordfeilbryter reduserer faren for elektrisk støt.

### Personlig sikkerhet

- **Vær oppmerksom, følg med på det du gjør, og bruk sunn fornuft når du bruker et produkt. Ikke bruk et produkt hvis du er trett eller påvirket av narkotika, alkohol eller medisiner.** Et øyeblikks uoppmerksomhet under bruk av produkter kan føre til alvorlig personskade.
- **Bruk personlig verneutstyr. Bruk alltid vernebriller.** Bruk av verneutstyr som støvmaske, vernesko med antisklisåle, hjelm og hørselvern der det kreves, reduserer faren for personskade.
- **Unngå utilsikket oppstart. Forsikre deg om at bryteren står i av-stillingen før du kobler til strømforsyningen og/eller batteripakken, tar opp produktet eller bærer produktet.** Hvis du bærer et produkt med en finger på bryteren eller med produktet påslått, kan dette lett føre til ulykker.
- **Fjern eventuelle justeringsnøkler før du slår på produktet.** Nøklene som sitter på de roterende delene av produktet, kan føre til personskade.
- **Ikke strekk deg for langt. Hold alltid føttene på bakken og en balansert stilling.** Dette gir deg bedre kontroll over produktet i uventede situasjoner.
- **Bruk egnede klær. Bruk ikke løstsittende klær eller smykker. Hold hår og klær borte fra bevegelige deler.** Løstsittende klær, smykker eller langt hår kan sette seg fast i bevegelige deler.
- **Hvis apparatet er forsynt med tilkobling for støvsuger eller oppsamler, må du forsikre deg om at disse er riktig tilkoblet og brukes på riktig måte.** Bruk av støvoppsamler kan redusere faren for støvrelaterte skader.

- **Selv om du har lang erfaring med bruk av produkter, må du ikke bli uforsiktig eller ignorere sikkerhetsreglene.** En uforsiktig handling kan føre til alvorlig personskade i løpet av en brøkdell av et sekund.

## Bruk og vedlikehold av produktet

- **Ikke bruk makt på produktet. Bruk riktig produkt til den aktuelle oppgaven.** Riktig produkt vil gjøre jobben bedre og sikrere i den hastigheten den er konstruert for.
- **Ikke bruk produktet hvis bryteren ikke lar seg slå på og av.** Produkter som ikke kan kontrolleres med bryteren, er farlige, og må repareres.
- **Koble støpselet fra strømforsyningen og/eller batteripakken fra produktet, hvis det er avtakbart, før du foretar justeringer, skifter tilbehør eller legger unna produktet for oppbevaring.** Slike forebyggende sikkerhetstiltak reduserer faren for at produktet starter ved et uhell.
- **Produkter som ikke er i bruk, må oppbevares utilgjengelig for barn. Ikke la produkter brukes av personer som ikke er kjent med produktene eller disse instruksjonene.** Produkter er farlige når de brukes av uerfarne brukere.
- **Vedlikehold produkter og tilbehør. Kontroller for feil innretting eller festing av bevegelige deler, brudd på deler eller andre tilstander som kan påvirke produktets funksjon. Hvis produktet er ødelagt, må det repareres før bruk.** Mange ulykker forårsakes av dårlig vedlikeholdte produkter.
- **Hold skjæreverktøy skarpe og rene.** Riktig vedlikeholdte skjæreverktøy med skarpe skjærekanter har mindre fare for å sette seg fast, og er lettere å kontrollere.
- **Bruk produktet, tilbehør og verktøytbits osv. i henhold til disse instruksjonene, og i forhold til arbeidsforholdene og arbeidet som skal utføres.** Bruk av produkter til andre oppgaver enn de er laget for, kan føre til farlige situasjoner.
- **Hold håndtakene og gripeflatene tørre, rene og frie for olje og fett.** Glatte håndtak og gripeflater gjør trygg håndtering og kontroll av produktet i uventede situasjoner umulig.

## Service

- **La en kvalifisert reparatør utføre service kun med identiske reservedeler.** Dette sørger for at produktets sikkerhet opprettholdes.
- **Utfør aldri service på skadede batteripakker.** Service av batteripakker skal kun utføres av produsenten eller autoriserte serviceleverandører.

## Bruk og pleie av batteriverktøy

- **Må bare lades med laderen som er spesifisert av produsenten.** En lader som passer til én batteripakke kan skape brannfare hvis den brukes med en annen batteripakke.

- **Produkter skal bare brukes med spesielt angitte batteripakker.** Bruk av andre batteripakker kan medføre fare for personskade og brann.
- **Når batteriet ikke er i bruk, må det holdes unna andre metallgjenstander som binders, mynter, nøkler, spiker, skruer og andre små metallgjenstander som kan danne en forbindelse fra den ene batteripolen til den andre.** Kortslutning av batteripolene kan føre til forbrenning eller brann.
- **Hvis batteriet utsettes for store påkjenninger, kan det komme væske ut av det. Unngå i så fall kontakt med denne væsken. Skyll med vann hvis kontakt oppstår ved et uhell. Hvis du får væske i øynene, kontakt lege øyeblikkelig.** Væske som kommer ut av batteriet kan forårsake irritasjon eller forbrenninger.
- **Ikke bruk batteripakken eller verktøyet hvis det er skadet eller endret.** Skadede eller endrede batterier kan ha en uforutsigbar adferd, noe som kan føre til brann, eksplosjoner eller personskader.
- **Ikke eksponer en batteripakke eller et verktøy for brann eller for høy temperatur.** Eksponering for flammer eller temperaturer over 130 °C (265 °F) kan føre til eksplosjon.
- **Følg alle instruksjoner for lading, og ikke lad batteripakken eller verktøyet utenfor temperaturområdet som er angitt i instruksjonene.** Lading på feil måte eller ved temperaturer utenfor det angitte området kan påføre batteriet skade og øke faren for brann.

## Generelle sikkerhetsinstruksjoner



**ADVARSEL:** Les de følgende advarselsinstruksjonene før du bruker produktet.

- Dette produktet er farlig hvis det brukes feil, eller hvis du ikke er forsiktig. Personskade eller død kan forekomme hvis du ikke følger sikkerhetsinstruksjonene.
- Dette produktet danner et elektromagnetisk felt når det er i bruk. Dette feltet kan under visse forhold forstyrre aktive eller passive medisinske implantater. For å redusere faren for hendelser som kan føre til alvorlig eller livstruende skade, anbefaler vi at personer med medisinske implantater rådfører seg med lege og produsenten av det medisinske implantatet før dette produktet tas i bruk.
- Vær alltid forsiktig, og bruk sunn fornuft. Hvis du ikke er sikker på hvordan du skal bruke produktet i en bestemt situasjon, må du stoppe og snakke med Husqvarna-forhandleren før du fortsetter.
- Husk at brukeren er ansvarlig for ulykker som involverer andre personer eller deres eiendom.
- Hold produktet rent. Sørg for at du kan lese skilt og merker.
- La aldri barn eller personer som ikke har satt seg inn i bruksanvisningen, bruke apparatet. Brukerens lavalder kan være fastsatt i lokale forskrifter.

- Hold alltid øye med personer med redusert fysisk eller mental kapasitet når de bruker produktet. En ansvarlig voksen må alltid være til stede.
- Ikke bruk produktet dersom du er trett eller syk eller under påvirkning av alkohol, andre rusmidler eller medisiner. Disse tingene har en negativ effekt på synet, vurderingsevnen og dømmekraften din.
- Ikke bruk produktet hvis det er skadet eller ikke fungerer som det skal.
- Ikke modifierer dette produktet, og ikke bruk det dersom det er mulig at andre har modificert det.
- Hvis boret treffer en gjenstand eller det oppstår vibrasjoner, må produktet stanses øyeblikkelig. Stans motoren, trekk opp tenningsnøkkelen, og fjern batteriet. Vent til alle bevegelige deler har stoppet. Kontroller produktet for skader. Stram til løse deler. Reparer skader og skift ut skadde deler. La et godkjent serviceverksted utføre reparasjonen.
- Du må aldri feste borets driftsbøyle permanent til håndtaket når motoren er i gang.
- Plasser produktet på et stabilt, flatt underlag, og start det.

## Arbeidssikkerhet



**ADVARSEL:** Les de følgende advarselinstruksjonene før du bruker produktet.

- Bruk produktet til å legge avgrensningssøylen og guidekabelen for robotgressklippere ned i bakken. Ikke bruk produktet til andre oppgaver.
- Bruk personlig verneutstyr. Se *Personlig verneutstyr på side 278*.
- Sørg for at du vet hvordan du stopper motoren raskt i en nødsituasjon.
- Produktet må ikke brukes i regn eller fuktige omgivelser. Fare for elektrisk støt øker hvis det kommer vann inn i produktet.
- Ikke bruk produktet med mindre boret og alle deksler er riktig montert. Et feilmontert bor kan løsne og forårsake personskade.
- Fjern gjenstander som greiner, kvister og steiner fra området før du bruker produktet.
- Gjenstander som treffer utstyret for kabellegging, kan slynges ut og forårsake skade på personer og gjenstander. Hold tilskuere og dyr på trygg avstand fra produktet.
- Bruk aldri produktet i dårlig vær, for eksempel i tåke, regn, sterk vind, sterk kulde, eller ved fare for lyn. Det er slitsomt å bruke produktet i dårlig vær eller på fuktige eller våte steder. Dårlig vær kan forårsake farlige forhold, for eksempel glatt underlag.
- Hold utkikk etter personer, objekter og situasjoner som kan forhindre sikker bruk av produktet.
- Se etter hindringer, for eksempel røtter, steiner, kvister, fordypninger og grøfter. Høyt gress kan skjule hindringer.
- Ikke bruk produktet i skråninger som heller mer enn 15 grader.
- Vær ekstremt forsiktig når du svinger i bakker/hellingene. Bruk produktet på tvers av skråninger. Ikke gå opp og ned.
- Vær forsiktig når du nærmer deg skjulte hjørner eller gjenstander som blokkerer sikten.
- Pass på at boret ikke kommer borti gjenstander som steiner og røtter. Dette kan skade boret og bøye motorakselen. En bøyd motoraksel kan forårsake mye vibrasjon og utgjør en svært høy fare for at boret blir løst.
- Hold deg alltid bak produktet når du bruker det.
- La alle hjulene være på bakken, og hold begge hender på håndtaket når du bruker produktet.
- Hold hender og føtter borte fra det roterende boret.
- Ikke vipp produktet når du starter motoren eller under bruk av produktet.
- Vær forsiktig når du trekker produktet bakover.
- Du må aldri løfte produktet når motoren er i gang. Hvis du har behov for å løfte produktet, må du først stoppe motoren, trekke opp tenningsnøkkelen og fjerne batteriet.
- Ikke gå bakover når du bruker produktet.
- Slipp borets driftsbøyle for å stoppe boret når det er nødvendig å vippe produktet for transport.
- Ikke løp med produktet når motoren er på. Du må alltid gå mens du bruker produktet.
- Stopp motoren før du endrer dybden på kabelleggingen. Utfør aldri justeringer mens motoren er i gang.
- La aldri produktet være ute av syne mens motoren er i gang. Stopp motoren, og forsikre deg om at boret ikke roterer.
- Vibrasjonene i produktet under drift kan være forskjellige fra den oppgitte vibrasjonsverdien i *Tekniske data på side 288*. Forskjellen skyldes variasjoner i hvordan produktet brukes. Hvis du bruker produktet ofte eller over lengre tid, må du ta pauser regelmessig for å unngå skader fra vibrasjonene.

## Sikkerhetsinstruksjoner for drift

Les de følgende instruksjonene før du bruker produktet.

- Kontroller at kabelen på kabellederen er intakt.
- Kontroller at røret i matefinnen er intakt. Skift røret hvis det er slitt eller defekt.

(Fig. 16)

- Kontroller at kanten rundt hullet ikke er skarp eller skadet. Bytt ut kabellederen hvis den er skadet.
- Kontroller at alle skruer er trukket til.
- Kontroller at alle spakene er i nøytral stilling.

## Personlig verneutstyr



**ADVARSEL:** Les de følgende advarselinstruksjonene før du bruker produktet.

- Verneutstyr kan aldri fullstendig forhindre skade, men det reduserer skadeomfanget hvis ulykken inntreffer. Spør forhandleren din om hjelp til å velge riktig utstyr.
- Bruk kraftige, sklisikre støvler eller sko. Ikke bruk åpne sko eller gå barbeint.
- Bruk tykke langbukser.
- Bruk vernehansker når det er nødvendig, for eksempel når du fester, undersøker eller rengjør kabelleggingsutstyret.
- Vi anbefaler at du bruker hørselsvern.

## Sikkerhetsutstyr på produktet



**ADVARSEL:** Les de følgende advarselsinstruksjonene før du bruker produktet.

- Ikke bruk et produkt med sikkerhetsutstyr som er skadet eller ikke fungerer som det skal.
- Ikke fjern eller gjør endringer på sikkerhetsutstyr.
- Utfør regelmessig kontroll av sikkerhetsutstyret. Hvis sikkerhetsutstyret er skadet eller ikke fungerer som det skal, må du kontakte Husqvarna-serviceverkstedet.

## Tenningsnøkkel

Tenningsnøgkelen er under batteridekselet. Tenningsnøgkelen kobler til batteriet som forsyner motoren med strøm.

## Slik kontrollerer du tenningsnøgkelen

Tenningsnøgkelen kobler til batteriet som forsyner motoren med strøm.

- Start og stopp motoren. Hvis tenningsnøgkelen fungerer riktig, kan motoren bare starte når nøkkelen er i sikkerhetslåsen.

## Borets driftsbøyle

Borets driftsbøyle stopper boret. Når borets driftsbøyle slippes opp, stopper boret.

Kontroller borets driftsbøyle ved å starte motoren og så slippe borets driftsbøyle. Hvis boret ikke stopper innen tre sekunder, må du kontakte et godkjent Husqvarna-serviceverksted.

(Fig. 17)

## Batterisikkerhet



**ADVARSEL:** Les de følgende advarselsinstruksjonene før du bruker produktet.

- Bruk bare Husqvarna oppladbare batterier som strømforsyning for relaterte Husqvarna-produkter. For å unngå personskader må du ikke bruke batteriet som strømforsyning for andre enheter.
- Ikke bruk ikke-oppladbare batterier.

- Fare for elektrisk støt. Ikke la batteripolene komme i kontakt med nøkler, mynter, skruer eller andre metallgjenstander. Dette kan føre til kortslutning av batteriet.
- Ikke sett gjenstander inn i luftåpningene til batteriet.
- Hold batteriet unna sollys, varme og åpen ild. Batteriet kan eksplodere og forårsake forbrenninger og/eller kjemiske forbrenninger.
- Hold batteriet unna regn og fuktighet.
- Hold batteriet unna mikrobølger og høyt trykk.
- Ikke prøv å demontere eller ødelegge batteriet.
- Hvis batteriet lekker, må væsken ikke komme i kontakt med hud eller øyne. Hvis du har berørt væsken, må du rengjøre området med store mengder vann og oppsøke legehjelp.
- Bruk batteriet i produktet bare i omgivelsestemperaturer fra 5 °C til 40 °C.
- Bruk batteriladeren bare i omgivelsestemperaturer fra 5 °C til 40 °C.
- Batteriet lades ikke hvis batteritemperaturen er på over 50 °C.
- Ikke rengjør batteriet eller batteriladeren med vann. Se *Slik rengjør du batteriet og batteriladeren på side 285*.
- Ikke bruk et skadet batteri.
- Oppbevar batteriene unna metallgjenstander, for eksempel spikre, mynter og smykker.

## Sikker bruk av batteriladeren



**ADVARSEL:** Les de følgende advarselsinstruksjonene før du bruker produktet.

- Bruk QC-batteriladere bare til å lade Husqvarna-erstatningsbatteriene.
- Fare for elektrisk støt eller kortslutning. Ikke sett gjenstander inn i luftåpningene til laderen. Ikke prøv å demontere batteriladeren. Ikke la ladekontaktene berøre metallgjenstander. Bruk en godkjent stikkontakt.
- Dette produktet danner et elektromagnetisk felt når det er i bruk. Dette feltet kan under visse forhold forstyrre aktive eller passive medisinske implantater. For å redusere faren for forhold som kan føre til alvorlig eller livstruende skade, anbefaler vi at personer med medisinske implantater rådfører seg med sin lege og produsenten av det medisinske implantatet før dette produktet tas i bruk.
- Kontroller regelmessig at strømledningen til batteriladeren ikke er skadet, og at det ikke er sprekker i den.
- Ikke løft batteriladeren etter strømledningen. For å koble laderen fra stikkontakten drar du i støpselet. Ikke dra i ledningen.
- Hold strømledningen og skjøteledninger borte fra vann, olje og skarpe kanter. Pass på at kabelen ikke kommer i klem i dører, gjerder eller lignende. Det kan føre til at laderen blir strømførende.

- Ikke rengjør batteriladeren med vann.
- Batteriladeren kan brukes av barn over 8 år og personer med nedsatte fysiske og mentale evner eller personer uten erfaring eller kunnskap hvis de får tilsyn eller instruksjoner om hvordan de bruker batteriladeren på en sikker måte, og forstår farene ved bruken. Barn skal ikke leke med batteriladeren. Rengjøring og vedlikehold skal ikke utføres av barn uten tilsyn.
- Ikke lad engangsbatterier i batteriladeren.
- Ikke bruk batteriladeren i nærheten av brennbare materialer eller materialer som kan forårsake korrosjon. Batteriladeren må ikke tildekkes. Trekk ut støpselet til batteriladeren hvis det oppstår røyk eller brann.
- Ikke bruk en skadet batterilader.
- Bare lad batteriet innendørs på et sted som har god luft sirkulasjon og er beskyttet mot direkte sollys. Ikke lad batteriet i fuktige omgivelser.

- Ta ut tenningsnøkkelen før du utfører vedlikehold på produktet.
- Utfør vedlikeholdsarbeidet på riktig måte for å øke levetiden til produktet og redusere risikoen for ulykker. La et godkjent serviceverksted utføre det fagmessige vedlikeholdet. Snakk med nærmeste serviceverksted for mer informasjon.
- Utfør bare vedlikeholdsarbeid som er beskrevet i denne bruksanvisningen.
- Bruk kraftige hansker når du berører utstyret for kabellegging.
- Hold produktet rent for best og sikrest ytelse.
- La serviceverkstedet undersøke produktet regelmessig og utføre de nødvendige justeringene og reparasjonene.
- Skift ut alle skadde, slitte eller ødelagte deler.
- Følg instruksjonene for utskifting av tilbehør. Bruk bare tilbehør fra produsenten.
- Når de ikke er i bruk, oppbevarer du produktet, batteriet og batteriladeren fra hverandre i et tørt, innendørs og avlåst område. Kontroller at barn og personer som ikke er autoriserte, ikke kan få tilgang til produktet, batteriet eller batteriladeren.

## Sikkerhetsinstruksjoner for vedlikehold



**ADVARSEL:** Les de følgende advarselinstruksjonene før du bruker produktet.

## Montering

### Innledning



**ADVARSEL:** Les og forstå kapittelet om sikkerhet før du monterer produktet.

### Slik monterer du boret

1. Sett boret (A) inn i borhodet (B) og monter den lange skruen (C). (Fig. 18)

**Merk:** Du trenger en 6 mm unbrakonøkkel for å montere boret.

2. Monter borhodet på akselen (D) med den korte skruen (E).
3. Trekk til skruene.

### Slik monterer du kabelen

Produktet har en kabelvikler med clutch, som det er mulig å demontere.

1. Legg kabelen på kabelvikleren. Bruk knotten for å vri kabelvikleren med klokken.

**Merk:** Kabelen må monteres med klokken på kabelvikleren, slik at den rulles ut jevnt under drift. (Fig. 19)

2. Dytt kabelen inn i røret i matefinnen (A) til kabelen kommer ut fra bunnen (B), ca. 5 cm. (Fig. 20)

### Slik monterer og demonterer du kabelvikleren

1. Løsne knotten (A). (Fig. 21)
2. Ta av holderen (B).
3. Demonter kabelvikleren (C).
4. Monter kabelvikleren (D). Bruk adapteren dersom det er nødvendig. (Fig. 22)
5. Monter holderen (E) og trekk til knotten (F).

## Drift

### Innledning



**ADVARSEL:** Før du bruker produktet, må du lese og forstå kapittelet om sikkerhet.

### Husqvarna Fleet Services™

Husqvarna Fleet Services™ er en nettskyløsning som gir operatøren en oversikt over alle produkter som er tilkoblet. På dette produktet kan det installeres en Husqvarna Fleet Services™-sensor. Husqvarna Fleet



Services™-sensoren samler inn produktdata og lar deg koble deg til Husqvarna Fleet Services™-systemet. Husqvarna Fleet Services™-systemet rapporterer data som operasjonstid, serviceintervaller og plassering av produktet.

Hvis du vil ha mer informasjon om Husqvarna Fleet Services™, kan du laste ned Husqvarna Fleet Services™-appen, eller snakke med Husqvarna-representanten din.

### Slik forbereder du sensoren (tilbehør)

1. Bruk sensornøkkelen til å åpne lokket på sensoren. (Fig. 23)
2. Fjern sensoren.
3. Koble batteriet til sensoren. Lysdioden på sensoren lyser opp. (Fig. 24)
4. Last ned Husqvarna Fleet Services™-appen.
5. Logg på Husqvarna Fleet Services™-appen.
6. Utfør en paringsoperasjon. Se *Slik utfører du en paringsoperasjon mellom åpen og produktet på side 281*

### Slik utfører du en paringsoperasjon mellom åpen og produktet

1. Logg på Husqvarna Fleet Services™-appen.
2. Velg produktet i appen.
3. Skann koden bak sensoren med mobilenheten din for å installere sensoren i appen.

**Merk:** Det er bare nødvendig å utføre en paringsoperasjon mellom appen og produktet én gang.

### Slik monterer du sensoren

1. Kontroller at sensoren er koblet til Husqvarna Fleet Services™-appen. Se *Slik utfører du en paringsoperasjon mellom åpen og produktet på side 281*.
2. Bor to hull ved merkene i sporet i beholderen. (Fig. 25)

**Merk:** Påse at disse hullene har samme dimensjon som naglene som fulgte med sensoren.

3. Bruk en tang til å fjerne de ytre hullene på sensorsporet. (Fig. 26)
4. Bor to hull ved merkene i sensorsporet. (Fig. 27)
5. Rett inn sensorsporet med sporet i beholderen. (Fig. 28)
6. Fest sensorsporet med naglene.
7. Monter sensoren i sensorsporet. Rett inn det hvite merket på sensoren med merket på sensorsporet. (Fig. 29)

8. Lukk lokket over sensoren og lås det med sensornøkkelen. Påse at toppen av Husqvarna-«H»-en peker vekk fra tenningsnøkkelen. (Fig. 30)

## Batteri



**ADVARSEL:** Før du bruker batteriet, må du lese og forstå kapittelet om sikkerhet. Du må også lese og forstå bruksanvisningen for batteriet og batteriladeren.

Batteriet og batteriladeren må oppbevares i riktig omgivelsestemperatur.

	Omgivelsestemperatur
Bruk av batteriet	5 °C til 40 °C
Lade batteriet	5 °C til 40 °C

### Batteristatus

Displayet viser gjenværende batterikapasitet og eventuelle problemer med batteriet. Batterikapasiteten vises i 5 sekunder etter at produktet er slått av, eller når batteriindikatorknappen trykkes inn. Advarselssymbolet på batteriet lyser hvis en feil oppstår. Se *Batteri på side 286*.

(Fig. 31)

LED-lamper	Batteristatus
Alle LED-indikatorer lyser	Fullt ladet (75–100 %)
LED 1, LED 2, LED 3 lyser.	Batteriet er 50–75 % ladet.
LED 1, LED 2 lyser.	Batteriet er 25–50 % ladet.
LED 1 lyser.	Batteriet er 0–25 % ladet.
LED 1 blinker	Batteriet er utladet. Lad batteriet.

### Slik lader du batteriet

Lad batteriet før første gangs bruk. Batteriet er bare 30 % oppladet når det leveres til kunden.

**Merk:** Batteriladeren må kobles til den spenningen og frekvensen som er angitt på typeskiltet.

Batteriet lades ikke hvis batteritemperaturen er over 50 °C. Batteriladeren reduserer batteriets temperatur før den begynner å lade.

1. Koble den ene enden av strømfledningen for batteriladeren inn i kontakten på batteriladeren.

- Koble den andre enden av strømledningen for batteriladeren inn i en jordet stikkontakt. LED-indikatoren på batteriladeren blinker grønt én gang. (Fig. 32)
- Sett batteriet i batteriladeren. Den grønne lampen på laderen tennes når batteriet er riktig koblet til laderen. (Fig. 33)
- Når alle LED-indikatorene på batteriet lyser, er batteriet fulladet. Lad batteriet i maks. 24 timer.
- For å koble laderen fra stikkontakten må du dra i selve støpselet, ikke i ledningen.
- Fjern batteriet fra batteriladeren.

## Batteriladestatus

Et Husqvarna Li-ionbatteri kan lades eller brukes ved et hvilket som helst ladenivå. Batteriet blir ikke skadet. Et fulladet batteris ladenivå reduseres ikke når batteriet blir stående i laderen.

LED-display	Ladestatus
LED 1 blinker	0–25 %
LED 1 lyser, LED 2 blinker	25–50 %
LED 1, LED 2 lyser, LED 3 blinker	50–75 %
LED 1, LED 2, LED 3 lyser, LED 4 blinker	75–100 %
Lampe 1, lampe 2, lampe 3 og lampe 4 tennes	Fulladet

## Dette må du gjøre før du bruker produktet

- Vann underlaget dagen før arbeidet om sommeren eller hvis jorden er tørr.
- Sørg for at mennesker og dyr er minst 20 m unna produktet.
- Legg kabelen på kabelvikleren. Se *Slik monterer du kabelen på side 280*.
- Juster kabelleggingsdybden. Se *Slik justerer du kabelleggingsdybden på side 282*.
- Fest enden av kabelen til en stake.

## Slik starter du produktet

- Vipp håndtaket til siden. Se *Slik vipper du håndtaket på side 282*.
- Åpne batteridekselet.
- Sett inn et ladet batteri i batterispor nr. 1 under batteridekselet. For lengre driftstid kan du sett et annet oppladet batteri i batterispor nr. 2.
- Koble tenningsnøkkelen fra tenningsnøkkelholderen.
- Skyv tenningsnøkkelen inn i sikkerhetslåsen. (Fig. 34)

- Stå bak produktet.
- Trykk på standby-knappen (A) på kontrollpanelet. Standby-indikatoren (B) tennes. (Fig. 35)
- Trykk på start/stopp-knappen (C) til den forblir trykket inn. Motoren starter.



**OBS:** Ikke bruk produktet hvis varselampen (D) blinker rødt.

- Skyv borets driftsbøyle i retning av håndtaket for å starte boret. (Fig. 36)

## Slik bruker du hjuldriften

- Trekk sikkerhetsbøylen (A) i retning av håndtaket for å koble inn driften av hjulene. (Fig. 37)
- Slipp sikkerhetsbøylen for å koble ut driften av hjulene.

## Slik justerer du kabelleggingsdybden

- Løsne knotten (A). (Fig. 38)
- Juster støttehjulet (B) til nødvendig kabelleggingsdybde, og trekk til knotten.

**Merk:** Tallene (C) på siden av støttehjuløret viser kabelleggingsdybden i cm. Kabelleggingsdybden kan justeres mellom 1–6 cm.

## Justere høyden på styrearmen

Høyden på håndtaket kan justeres i fem nivåer.

- Vri håndtaket (A) mot klokken for å løsne det, og fjern knotten (B). (Fig. 39)
- Juster høyden på håndtaket, og monter knotten i hullet i nærmeste posisjon.
- Drei håndtaket med klokken for å stramme det.

## Slik vipper du håndtaket

Du kan vippe håndtaket for å unngå at hindringer treffer deg mens du bruker produktet. Håndtaket kan vippes i fire posisjoner på høyre side og fire posisjoner på venstre side.

- Trekk håndtakets sikkerhetsbøyle (A) helt i retning av håndtaket, og hold den. Sikkerhetsbøylen på håndtaket er plassert nederst til venstre på håndtaket. (Fig. 40)
- Vipp håndtaket til en av de fire posisjonene til venstre eller høyre, og slipp håndtakets sikkerhetsbøyle. Kontroller at pinnen som låser håndtaket er i ett av sporene. (Fig. 41)

## Slik låser du dreiefunksjonen til matefinnen

Du kan låse dreiefunksjonen til matefinnen for å øke presisjonen når du legger kabelen i lange, rette seksjoner.

- Kontroller at matefinnen er i samme retning som produktet, og stram håndtaket (A). (Fig. 42)

## Slik justerer du kabellederen

Produktet er justert for 4 mm kabler. Hvis kabelen har større diameter, må kabellederen justeres.

1. Løsne de to skruene. (Fig. 43)
2. Flytt kabellederen noen få millimeter opp.
3. Trekk til de to skruene.

## Slik justerer du sporvidden

Hjulenes posisjon kan justeres for forskjellige sporvidder. Det er fire justeringshull i akselen på venstre side og fire justeringshull i akselen på høyre side. Sporvidden kan justeres til 250, 270, 290 eller 310 mm fra boretts midtpunkt. (Fig. 44)

1. Trekk ut pinnen (A).
2. Juster hjulene til nødvendig sporvidde.
3. Sett pinnen i ett av de fire hullene (B) i akselen.
4. Lås sikkerhetsfjæren.

## Slik starter du arbeidet

Etter at kabelen og boret er installert, må brukeren feste kabelen til bakken.

1. Sett en stake i bakken.
2. Fest den delen av kabelen som kommer ut fra bunnen av kabellederen, til staken.

## Slik bruker du den doble kabellederen

Hvis produktet går bort fra den ytre kanten av arbeidsområdet, må du legge to kabler samtidig.

1. Pløy ned én kabel langs hele kanten. Se figur (A) og (B). (Fig. 45) (Fig. 46)
2. Når du er på det punktet som vises i figur (C), setter du støttehullet i den høyeste stillingen for å fjerne matefinnen fra jorden. Fest kabelen med en stake og fortsett med kabelen over jorden til du er ved neste punkt. (Fig. 47)
3. Fest kabelen med en stake på punktet som vises i figur (D). (Fig. 48)
4. Legg matefinnen i riktig kabelleggingsdybde, og fortsett å pløye kabelen for å lage øya. Se figur (E). (Fig. 49)
5. Når du når punktet som er angitt i figuren (F), fjerner du staken og rengjør matefinnen. Se *Slik rengjør du matefinnen på side 284*. (Fig. 50)
6. Monter kabelen over bakken i kabellederen. (Fig. 51)
7. Pløy de to kablene samtidig helt til punktet som er angitt i figur (G). Fest de to kablene til en stake, og løsne den andre kabelen fra kabellederen. (Fig. 52)
8. Fortsett å pløye den ytre kabelen til punktet som vises i figur (H). (Fig. 53)

## Slik stopper du produktet

Produktet stopper automatisk hvis du ikke bruker det på tre minutter.

1. Slipp opp sikkerhetsbøylen (A) for å koble ut driften på hjulene. (Fig. 37)
2. Løsne boretts driftsbøyle for å stoppe boret. (Fig. 17)
3. Trykk på start/stopp-knappen på kontrollpanelet.
4. Trykk på standby-knappen på kontrollpanelet.
5. Åpne batterilokket.
6. Fjern tenningsnøkkelen fra sikkerhetslåsen og sett den i tenningsnøkkelholderen.
7. Bruk skraperen til å rengjøre matefinnen. Se *Slik rengjør du matefinnen på side 284*.
8. Rengjør og smør borhodet etter hver gangs bruk. Se *Slik rengjør og smører du borhodet på side 284*.

---

## Vedlikehold

---

### Innledning



**ADVARSEL:** Før du utfører vedlikeholdsarbeid, må du lese og forstå kapittelet om sikkerhet.

For alt vedlikehold og reparasjonsarbeid på produktet er det nødvendig med spesiell opplæring. Vi garanterer fagmessig reparasjon og service.

Hvis du vil ha mer detaljert informasjon, kan du se [www.husqvarna.com](http://www.husqvarna.com).

### Vedlikeholdsskjema

Vedlikeholdsintervallene er beregnet med utgangspunkt i daglig bruk av produktet. Intervallene kan endres hvis produktet ikke brukes daglig.

For vedlikehold identifisert med \* kan du se *Sikkerhetsstyr på produktet på side 279*.

	Hver bruk	Månedlig	Hver sesong
Utfør en generell inspeksjon.	X		
Pass på at sikkerhetsutstyret på produktet ikke er defekt*.	X		
Undersøk boret og matefinnen.	X		
Kontroller boret driftsbøyle*.	X		
Kontroller at start/stopp-knappen fungerer på riktig måte, og at den ikke er defekt.	X		
Kontroller batteriet for skader.	X		
Kontroller batteriets ladnivå.	X		
Kontroller at utløserknappene på batteriet fungerer riktig og at batteriet låses fast i produktet.	X		
Rengjør luftinntakene på motoren. Pass på at luftinntakene ikke har gress eller smuss på seg.	X		
Smør ulakkerte deler.	X		
Smør deler der sinkbelegget er slitt.	X		
Rengjør og smør borhodet.	X		
Rengjør matefinnen.	X		
Undersøk batteriladeren for skader, og sørg for at den fungerer på riktig måte.		X	
Undersøk forbindelsene mellom batteriet og produktet. Undersøk også forbindelsen mellom batteriet og batteriladeren.			X

## Slik rengjør du matefinnen

- Bruk skraperen til å fjerne jord og rengjør matefinnen. (Fig. 54)

## Slik skifter du matefinnen

1. Vipp produktet fremover, og sett det forsiktig på bakken.
2. Fjern de to skruene (A) og matefinnen (B). (Fig. 55)
3. Monter den nye matefinnen i motsatt rekkefølge.

## Slik skifter du boret

1. Fjern gress og smuss fra produktet.



**OBS:** Pass på at det ikke kommer smuss eller andre uønskede materialer inn i boret under installasjonsprosessen.

**Merk:** Rengjør og smør borhuset etter hver gangs bruk.

2. Fjern den korte skruen (A) og borhodet (B) fra akselen (C). (Fig. 56)

**Merk:** Du trenger en 6 mm unbrakonøkkel for å skifte boret.

3. Fjern den lange skruen (D) og boret (E) fra borhodet.
4. Sett et nytt bor i borhodet og monter den lange skruen.
5. Monter borhodet på akselen.
6. Trekk til skruene.

## Slik rengjør og smører du borhodet

Rengjør borhodet helt etter hver gangs bruk.

1. Vipp produktet fremover, og sett det forsiktig på bakken.
2. Fjern gress, smuss og uønskede materialer med en myk børste.
3. Bruk trykkluft til å fjerne mindre partikler av gress og smuss.
4. Fjern skruen (A) fra borhodet (B) og fjern boret (C). (Fig. 56)
5. Løsne de to skruene (D) og fjern matefinnen (E). (Fig. 57)

6. Fjern skruen (F) og fjern borhodet (G) fra akselen (H). (Fig. 58)
7. Bruk trykkluft til å rengjøre produktet. Sørg for at all skitt, gress og andre uønskede materialer fjernes.
8. Hvis det er nødvendig, fjerner du skittent fett med et egnet løsemiddel.
9. Rengjør alle komponentene med et egnet løsemiddel, og smør alle komponentene.
10. Påfør vannavvisende fett på akselen. (Fig. 59)



**ADVARSEL:** Ikke bruk kjemikalier til å rengjøre batteriet.

- Kontroller at batteriet og batteriladeren er rene og tørre før du setter batteriet i batteriladeren.
- Rengjør batteriklemmene med trykkluft, eller bruk en myk og tørr klut.
- Rengjør overflatene på batteriet og batteriladeren med en myk og tørr klut.

## Slik rengjør du batteriet og batteriladeren



**ADVARSEL:** Ikke rengjør batteriet eller batteriladeren med vann.

## Feilsøking

### Feilsøking

Hvis du ikke finner en løsning på problemene dine i denne håndboken, kan du ta kontakt med Husqvarna-serviceverkstedet.

Problem	Årsak
Motoren starter ikke.	Batteriet er ikke ladet.
	Batteriet er ikke montert riktig.
	Batteriet er defekt.
	Kontrollpanelet er defekt.
Boret roterer ikke.	Remmen er utslitt.
	Remmen har glidd ut av remhjulene.
	Spaken strammer ikke remmen tilstrekkelig.
Boret fortsetter å rotere når borets driftsbøyle slippes.	Ledningen fra borets driftsbøyle er slitt eller skadet.
Produktet går ikke som det skal.	Boret er slitt eller skadet.
	Boret er ikke montert riktig.
Produktet beveger seg ikke når sikkerhetsbøylen er koblet inn.	Ledningen fra sikkerhetsbøylen er slitt eller skadet.
	Remmene på transmisjonen er slitt.
	Kjedet er ødelagt eller har ikke tilstrekkelig stramming.
	Clutchplatene i transmisjonshuset er slitte.
Borhodet kan ikke fjernes.	Det er uønsket materiale i enheten.
	Det er oksid inne i systemet.

Problem	Årsak
Isolasjonen på kabelen som er lagt ned i bakken, er skadet.	Utgangshullet for kabelen på matefinnen er skadet.
	Røret som inneholder kabelen, og som er en del av matefinnen, er skittent.

## Batteri

LED-indikator på batteriet	Årsak	Løsning
Den grønne LED-lampen blinker.	Batterispenningen er lav.	Lad batteriet. Se <i>Slik lader du batteriet på side 281</i> .
LED-feillampen blinker.	Batteriet er svakt.	Lad batteriet. Se <i>Batteri på side 286</i> .
	Temperaturen i arbeidsmiljøet er for høy eller for lav.	Bruk batteriet i temperaturer mellom –10 og 40 °C.
	Overspenning	Kontroller at strømtilførselen er den samme som er angitt på typeskiltet på produktet.  Fjern batteriet fra batteriladeren. Vent i fem sekunder, og prøv å lade batteriet igjen. Hvis problemet vedvarer, kontakter du et autorisert serviceverksted.
LED-feillampen er tent.	For stor forskjell mellom cellene (1 V).	Ta kontakt med et godkjent serviceverksted.

## Batterilader

LED-indikator på batteriladeren.	Årsak	Løsning
LED-feillampen blinker.	Temperaturen i arbeidsmiljøet er for høy eller for lav.	Bruk batteriladeren i temperaturer mellom 5 og 40 °C.
LED-feillampen er tent.		Ta kontakt med et godkjent serviceverksted.

## Kontrollpanel

Feilkode (antall lysblink)	Mulige feil	Mulig fremgangsmåte
5	Motorturtallet faller for mye, og motoren stopper.	Rengjør borhodet og reduser kabelleggingsdybden. Se <i>Slik rengjør og smører du borhodet på side 284</i> og <i>Slik justerer du kabelleggingsdybden på side 282</i> . Hvis problemet vedvarer, kontakter du et autorisert serviceverksted.
8	Batteriet er svakt.	Lad batteriet. Se <i>Slik lader du batteriet på side 281</i> .

Feilkode (antall lys-blink)	Mulige feil	Mulig fremgangsmåte
9	Batterifeil eller ingen signaler fra batteriet	Sett batteriet inn i produktet på riktig måte, og undersøk batterikontakten. Hvis LED-feil-lampen på batteriet blinker, kan du se <i>Batteri på side 286</i> .
10	Motorstyringen er for varm.	Stopp motoren, og vent til den er avkjølt.
Andre feil	Hvis det oppstår andre feil, må du ta ut tenningsnøkkelen og batteriet, og ta kontakt med et godkjent serviceverksted.	

## Transport, oppbevaring og avhending

### Innledning



**ADVARSEL:** Når du skal hindre utilsikket start under transport, trekker du opp tenningsnøkkelen, tar ut batteriet og venter i minst fem sekunder.

### Transport

- Loven om farlige varer gjelder de medfølgende Li-ion-batteriene.
- For kommersiell transport må spesielle krav på emballasje og etiketter følges.
- Sørg for at du overholder lovene om farlig materiale når du klargjør produktet for transport. Lokale forskrifter kan gjelde.
- Ta alltid ut batteriet før transport.
- Sett teip på batterikontaktene, og forsikre deg om at batteriet ikke kan bevege seg rundt under transport.
- Sikre produktet under transport.

### Oppbevaring

- La produktet avkjøles før du setter det til oppbevaring.
- Ta alltid ut batteriet når du skal oppbevare produktet.
- For å hindre ulykker må du sikre at batteriet ikke er koblet til produktet under oppbevaring.
- Oppbevar batteriladeren på et innelukket og tørt sted.
- Hold batteriet og laderen på et tørt sted der det ikke er fukt eller frost.
- Koble batteriet fra batteriladeren under oppbevaring.
- Batteriet må ikke oppbevares der det kan forekomme statisk elektrisitet. Ikke oppbevar batteriet i en metallkasse.

- Oppbevar produktet på et sted der omgivelsestemperaturen er mellom  $-10^{\circ}\text{C}$  og  $40^{\circ}\text{C}$ .
- Oppbevar batteriet et sted omgivelsestemperaturen er mellom  $5^{\circ}\text{C}$  og  $25^{\circ}\text{C}$  og borte fra sollys.
- Oppbevar batteriladeren et sted omgivelsestemperaturen er mellom  $5^{\circ}\text{C}$  og  $45^{\circ}\text{C}$  og borte fra sollys.
- Kontroller at batteriet er ladet til 30–50 % før du setter det til oppbevaring i lange perioder.
- Oppbevar produktet, batteriet og batteriladeren i et låsbart område, utilgjengelige for barn og uautoriserte personer.
- Rengjør produktet.
- Utfør vedlikeholdsprosedyrene som er beskrevet i denne bruksanvisningen. Se *Vedlikeholdsskjema på side 283*.
- Utfør en fullstendig service før du setter produktet til oppbevaring i lang tid.

### Avhending

Symbolene på produktet eller produktemballasjen indikerer at produktet ikke skal håndteres som husholdningsavfall. Produktet skal innleveres til et gjenvinningsanlegg som gjenvinner elektrisk og elektronisk utstyr.

Ved å sikre at produktet håndteres på riktig måte, kan du bidra til å motvirke potensielt negative virkninger på miljø og mennesker, som kan oppstå som følge av at produktet ikke avfallshåndteres på riktig måte. Kontakt det lokale renovasjonsvesenet eller forhandleren der du kjøpte produktet hvis du ønsker mer detaljert informasjon.

(Fig. 60)

## Tekniske data

<b>Bormotor</b>	
Motorstype	BLDC (børsteløs) 36 V
Motorhastighet – nominell, turtall	3000/min
Motorhastighet – høy belastning, turtall	3300/min
Motoreffekt – maksimal, kW	1,8
Motoreffekt – nominell, kW	1,2
Transmisjon	Mekanisk girkasse med oljebadgir
Clutch	Reimtype, med reimskive
<b>Vekt</b>	
Vekt uten batteri, kg	39
Vekt inkludert 2 x BLi300, kg	43
<b>Batteri</b>	
Batteritype	Husqvarna-batteriserien
<b>Batteriets driftstid</b>	
Batteriets driftstid, min <sup>65</sup>	38
<b>Støyutslipp</b> <sup>66</sup>	
Lydeffektnivå, målt L <sub>WA</sub> dB (A)	84
Lydeffektnivå, garantert L <sub>WA</sub> dB (A)	86
<b>Lydnivåer</b> <sup>67</sup>	
Lydtryknivå ved brukerens øre, dB (A)	66
<b>Vibrasjonsnivåer</b> <sup>68</sup>	
Håndtak, m/s <sup>2</sup>	1,8
<b>Kabelleggingsutstyr</b>	
Kabelleggingsdybde, cm	1–6
Avstand mellom bor og hjulkant, mm	250, 270, 290, 310
Bor	597 04 84-01

<sup>65</sup> Frikjøring, målt med standardmodus aktivert og 1 Husqvarna 9,4 Ah-batteri (BLi300).

<sup>66</sup> Utslipp av støy til omgivelsene målt som lydeffekt (L<sub>WA</sub>) samsvarer med EF-direktiv 2000/14/EF.

<sup>67</sup> Rapporterte data for lydtryksnivå for maskinen har en typisk statistisk spredning (standardavvik) på 1,2 dB (A).

<sup>68</sup> Rapporterte data for vibrasjonsnivå har en typisk statistisk spredning (standardavvik) på 0,2 m/s<sup>2</sup>. Vibrasjonsstandard EN 1032+A1:2009.



Godkjente batterier	Merke	Type	Batterikapasitet, Ah	Spenning, V	Vekt, lb/kg
BLi300	Husqvarna	Litium-ion	9,4	36	4,1 / 1,9

Godkjente ladere for de spesifiserte batteriene, BLi	Merke	Inngangsspenning, V	Frekvens, Hz	Effekt, W
QC500	Husqvarna	100–240	50–60	500

---

# Samsvarserklæring

---

## EU-samsvarserklæring

Vi, **Husqvarna AB**, SE-561 82 Huskvarna, Sverige, tlf.:  
+46 36 146500, erklærer på eget ansvar at produktet:

<b>Beskrivelse</b>	Kabellegger
<b>Merke</b>	Husqvarna
<b>Type/modell</b>	CL400i
<b>ID</b>	Serienumre datert 2022 og senere

fullstendig overholder følgende EU-direktiver og  
-forskrifter:

<b>Regulering</b>	<b>Beskrivelse</b>
2006/42/EC	«angående maskiner»
2014/30/EU	«om elektromagnetisk kompatibilitet»
2011/65/EU	«om begrensning av bruk av visse farlige stoffer i elektrisk og elektronisk utstyr»

og at følgende standarder og/eller tekniske  
spesifikasjoner er anvendt: EN ISO 12100:2010, EN ISO  
14119:2013, EN ISO 14120:2015, EN ISO 13857:2019,  
EN 62841-1:2015+AC:2015, EN ISO 11202:2010, EN  
1032:2009, EN 55014-1:2017, EN 55014-2:2015, EN  
63000:2018.

For informasjon som gjelder støyutslipp, kan du se  
*Tekniske data på side 288.*

Huskvarna, 2022-03-21



Claes Losdal, Utviklingssjef/hageproduktansvarlig,  
Husqvarna AB

Ansvarlig for teknisk dokumentasjon



---

# SPIS TREŚCI

---

Wstęp.....	291	Rozwiązywanie problemów.....	302
Bezpieczeństwo.....	292	Transport, przechowywanie i utylizacja.....	304
Montaż.....	297	Dane techniczne.....	305
Przeznaczenie.....	298	Deklaracja zgodności.....	307
Przegląd.....	301		

---

## Wstęp

---

### Opis produktu

Urządzenie to maszyna do układania przewodów obsługiwana przez operatora pieszego.

### Przegląd produktu

(Rys. 1)

1. Dźwignia obsługi wiertnicy
2. Dźwignia odchylania uchwyty sterowniczego
3. Dźwignia napędu
4. Licznik
5. Zwijacz przewodu
6. Żeberko podające
7. Wiertnica
8. Panel sterowania
9. Kluczyk bezpieczeństwa
10. Akumulator (akcesorium)
11. Ładowarka akumulatora (akcesorium)
12. Instrukcja obsługi

### Symbole znajdujące się na produkcie

(Rys. 2) OSTRZEŻENIE

(Rys. 3) Ostrzeżenie: Części obrotowe. Nie zbliżać rąk ani stóp.

(Rys. 4) Należy uważać na wyrzucane i rykoszetujące przedmioty.

(Rys. 5) Przeczytać instrukcje.

(Rys. 6) Ludzie i zwierzęta powinny przebywać w bezpiecznej odległości od obszaru roboczego.

(Rys. 7) Ryzyko odniesienia obrażeń oczu u osób postronnych.

(Rys. 8) Chronić przed deszczem.

(Rys. 9) Stosować ochronną osłonę twarzy.

### Przeznaczenie

Urządzenie służy do układania pętli ograniczającej i przewodu doprowadzającego robotów koszących w podłożu. Nie używać produktu do innych zadań.

(Rys. 10) Tryb gotowości (czarny przycisk).

(Rys. 10) Uruchamianie i wyłączanie silnika (czerwony przycisk).

(Rys. 11) Tego produktu ani opakowania nie można traktować jak odpadów domowych. Należy poddawać je recyklingowi w zatwierdzonym punkcie zbiórki sprzętu elektrycznego i elektronicznego.

(Rys. 12) Produkt jest zgodny z odpowiednimi dyrektywami WE.

(Rys. 13) Ten produkt jest zgodny z przepisami obowiązującymi w Wielkiej Brytanii.

(Rys. 14) Etykieta emisji hałasu do środowiska zgodnie z dyrektywami oraz przepisami UE i Wielkiej Brytanii, a także przepisami Nowej Południowej Walii „Protection of the Environment Operations (Noise Control) Regulation 2017”. Gwarantowany poziom mocy akustycznej urządzenia jest określony w *Dane techniczne na stronie 305* oraz na etykiecie.

(Rys. 15) Produkt jest zabezpieczony przed przeciekaniem.

---

**Uwaga:** Pozostałe symbole/naklejki samoprzylepne umieszczone na produkcie dotyczą wymogów związanych z certyfikatami w niektórych krajach.

---

### Uszkodzenie produktu

Nie odpowiadamy za uszkodzenia naszego produktu, w przypadku gdy:

- produkt jest nieprawidłowo naprawiany.

- produkt jest naprawiany przy użyciu części niepochodzących od producenta lub niezatwierdzonych przez producenta.
- produkt jest wyposażony w akcesoria niepochodzące od producenta lub niezatwierdzone przez producenta.

- produkt nie jest naprawiany w autoryzowanym centrum serwisowym lub przez autoryzowaną placówkę.

## Bezpieczeństwo

### Definicje dotyczące bezpieczeństwa

Ostrzeżenia, uwagi i informacje są używane do zwrócenia uwagi na szczególnie ważne sekcje instrukcji obsługi.



**OSTRZEŻENIE:** Jest używane, gdy istnieje ryzyko poważnych obrażeń, śmierci operatora lub uszkodzenia otoczenia w wyniku nieprzestrzegania instrukcji obsługi.



**UWAGA:** Jest używane, gdy istnieje ryzyko uszkodzenia materiałów lub urządzenia w wyniku nieprzestrzegania instrukcji obsługi.

**Uwaga:** Stosuje się, aby przekazać więcej informacji, które są przydatne w danej sytuacji.

### Ostrzeżenia dotyczące bezpieczeństwa ogólnego produktu



**OSTRZEŻENIE:** Zapoznać się ze wszystkimi ostrzeżeniami dotyczącymi bezpieczeństwa, instrukcjami, ilustracjami i specyfikacjami dołączonymi do tego produktu. Niezastosowanie się do wszystkich poniższych instrukcji może spowodować porażenie prądem, pożar i/lub poważne obrażenia.

Zachować wszystkie ostrzeżenia i instrukcje do korzystania z nich w przyszłości. Termin „produkt” w ostrzeżeniach dotyczy Twojego produktu zasilanego prądem z sieci elektrycznej (z przewodem) lub produktu zasilanego prądem z akumulatora (bezprowodowego).

### Bezpieczeństwo miejsca pracy

- **Miejsce pracy powinno być czyste i dobrze oświetlone.** Obszary zaciemnione i takie, w których panuje nieład, mogą powodować wypadki.
- **Nie należy używać produktu w atmosferze wybuchowej, takiej jak w przypadku obecności łatwopalnych cieczy, gazów lub pyłów.** Produkt tworzy iskry, które mogą zapalić pył lub opary.
- **Podczas pracy z użyciem produktu należy uważać, aby dzieci i osoby postronne nie zbliżyły się do**

**miejsca pracy.** W wyniku utraty uwagi możesz stracić kontrolę nad urządzeniem.

### Bezpieczeństwo elektryczne

- **Wtyczki produktu muszą pasować do gniazdka. Zabrania się dokonywania przeróbek wtyczki. Nie wolno stosować adapterów wtyczek produktów z uziemieniem.** Nieprzerobione wtyczki i dopasowane gniazdka pozwalają zredukować ryzyko porażenia prądem.
- **Należy unikać kontaktu ciała z powierzchniami uziemionymi, takimi jak rury, grzejniki, kuchenki i lodówki.** Uziemienie ciała powoduje zwiększenie ryzyka porażenia prądem.
- **Nie wystawiać produktu na działanie deszczu ani wilgoci.** Przedostanie się wody do produktu zwiększa ryzyko porażenia prądem.
- **Nie niszczyć przewodu. Nie wolno używać przewodu do przenoszenia, ciągnięcia lub odłączania produktu. Przewód należy utrzymywać z dala od źródeł ciepła, olejów, ostrych krawędzi lub ruchomych części.** Uszkodzone lub splątane kable zwiększają zagrożenie porażenia prądem.
- **Używając produktu na zewnątrz budynków, należy stosować przedłużacz przystosowany do użytku zewnętrznego.** Stosowanie przewodu przeznaczonego do użytku na zewnątrz budynków pozwala ograniczyć ryzyko porażenia prądem.
- **Jeśli produkt musi być używany w warunkach dużej wilgotności, stosować zasilanie chronione wyłącznikiem różnicowo-prądowym (RCD).** Korzystanie z wyłącznika różnicowo-prądowego zmniejsza ryzyko porażenia prądem.

### Bezpieczeństwo osób

- **Podczas używania produktu należy zachować skupienie, obserwować wykonywane czynności i kierować się zdrowym rozsądkiem. Produktu nie wolno używać w przypadku zmęczenia ani pod wpływem narkotyków, alkoholu lub leków.** Chwila nieuwagi podczas obsługi produktu może doprowadzić do poważnych obrażeń.
- **Stosować środki ochrony osobistej. Należy zawsze stosować środki ochrony wzroku.** Sprzęt ochronny, taki jak maski, antypoślizgowe buty robocze, kask lub środki ochrony słuchu stosowane w odpowiednich warunkach pozwalają obniżyć ryzyko odniesienia obrażeń.
- **Należy zapobiec niezamierzonemu rozruchowi.** Przed podłączeniem do źródła zasilania i/lub

akumulatora, podniesieniem lub przenoszeniem produktu należy upewnić się, że przełącznik znajduje się w położeniu wyłączenia. Przenoszenie produktu z palcem na przełączniku lub włączenie zasilania produktu, który ma przełącznik w pozycji włączonej, sprzyja wypadkom.

- **Przed włączeniem produktu należy usunąć wszelkie klucze i inne narzędzia.** Klucze lub inne narzędzia, pozostawione przy obracającej się części produktu, mogą spowodować obrażenia ciała.
- **Nie należy przeceniać swoich możliwości. Stać na stabilnym podłożu i zachować równowagę.** Pozwoli to zachować lepszą kontrolę nad produktem w nieoczekiwanych sytuacjach.
- **Należy odpowiednio się ubierać. Nie należy zakładać luźnych ubrań i nosić biżuterii. Włosa oraz ubranie należy trzymać z dala od elementów ruchomych.** Luźna odzież, biżuteria lub długie włosy mogą zostać wciągnięte przez ruchome części.
- **Jeśli dołączone jest wyposażenie służące do podłączenia urządzeń odprowadzających i gromadzących pył, należy zadbać o jego podłączenie i właściwie używanie.** Stosowanie urządzeń odprowadzających pył może ograniczyć zagrożenia związane z obecnością pyłu.
- **Częste używanie produktu nie zwalnia operatora z obowiązku zachowania czujności i przestrzegania zasad bezpieczeństwa dotyczących używania produktu.** Nierozważne działanie może doprowadzić do poważnych obrażeń w ułamku sekundy.

## Eksplotacja i konserwacja produktu

- **Nie wymuszaj większych osiągnięć produktu. Używać produktu dopasowanego do zastosowania.** Właściwy produkt pozwoli lepiej i bezpieczniej wykonać pracę z przewidzianą prędkością.
- **Nie wolno używać produktu, jeśli nie można go włączyć lub wyłączyć przy użyciu przełącznika.** Jeśli produkt nie może być kontrolowany za pomocą przełącznika, jest on niebezpieczny i musi zostać oddany do naprawy.
- **Przed dokonaniem jakichkolwiek regulacji, zmianą akcesoriów lub pozostawieniem produktu na czas przechowywania należy odłączyć wtyczkę od źródła zasilania i/lub, jeśli jest to możliwe, wymontować akumulator.** Takie działanie zapobiegawcze redukuje ryzyko przypadkowego uruchomienia produktu.
- **Nieużywany produkt należy przechowywać w miejscu niedostępnym dla dzieci.** Nie wolno pozwalać, aby produkt obsługiwały osoby nie zaznajomione z produktem lub niniejszymi instrukcjami. W rękach nieprzeszkolonych użytkowników produkty mogą być niebezpieczne.
- **Konserwować produkty i akcesoria. Produkt należy sprawdzać pod kątem niedopasowania ruchomych części, uszkodzenia elementów i innych nieprawidłowości, które mogą mieć wpływ na jego działanie.** W przypadku uszkodzenia naprawić produkty przed jego ponownym użyciem. Powodem

wielu wypadków jest niewłaściwa konserwacja produktów.

- **Narzędzia tnące należy utrzymywać w stanie naostrzonym i czystym.** Właściwie konserwowane narzędzia tnące, z ostrymi krawędziami tnącymi dają mniejsze prawdopodobieństwo zacinania i łatwiej je kontrolować.
- **Produkty, oprzyrządowanie i końcówki itp. muszą być używane zgodnie z niniejszymi instrukcjami, biorąc pod uwagę warunki robocze oraz wykonywane zadanie.** Używanie produktu do zadań innych niż te, do których jest przeznaczony, może być niebezpieczne.
- **Utrzymywać uchwyty i powierzchnie do chwytania w stanie suchym, czystym oraz wolnym od smaru i oleju.** Śliskie uchwyty i powierzchnie do chwytania uniemożliwiają bezpieczną obsługę i kontrolę produktu w nieoczekiwanych sytuacjach.

## Serwis

- **Produkt może serwisować wyłącznie wykwalifikowany personel serwisowy przy użyciu identycznych części zamiennych.** Zapewni to bezpieczeństwo użytkownika produktu.
- **Pod żadnym pozorem nie należy serwisować uszkodzonych akumulatorów.** Akumulatory może serwisować wyłącznie producent lub autoryzowany serwis.

## Użytkowanie i konserwacja narzędzia elektrycznego zasilanego akumulatorem

- **Ładować jedynie za pomocą ładowarki wskazanej przez producenta.** Ładowarka przeznaczona do jednego rodzaju akumulatora może grozić pożarem w przypadku wykorzystania jej do ładowania innego rodzaju akumulatora.
- **Urządzeń należy używać wyłącznie w połączeniu z określonym rodzajem akumulatorów.** Użycie akumulatorów innego rodzaju może stworzyć zagrożenie obrażeniami ciała i pożarem.
- **Kiedy akumulator nie jest używany, należy przechowywać go z dala od innych metalowych przedmiotów, takich jak spinacze do papieru, monety, klucze, gwoździe i śruby oraz innych niewielkich metalowych przedmiotów, które mogłyby połączyć dwa zaciski akumulatora.** Spięcie zacisków akumulatora może spowodować oparzenia lub pożar.
- **W niewłaściwych warunkach z akumulatora może wypłynąć płyn.** Należy unikać kontaktu z tym płynem. Jeżeli dojdzie do kontaktu, przemyć wodą. Jeśli dojdzie do kontaktu płynu z oczami, należy dodatkowo skorzystać z pomocy medycznej. Płyn wydostający się z akumulatora może wywołać podrażnienia lub oparzenia.
- **Nie używać akumulatora ani narzędzia, jeśli są one uszkodzone lub zostały zmodyfikowane.** Uszkodzone lub zmodyfikowane akumulatory mogą charakteryzować się nieprzewidywalnymi

właściwościami skutkującymi pożarem, eksplozją lub ryzykiem doznania obrażeń przez użytkownika.

- **Nie wystawiać akumulatora ani narzędzia na działanie ognia bądź nadmiernej temperatury.** Narażenie na pożar lub temperaturę przekraczającą 130°C (265°F) może spowodować wybuch.
- **Postępować zgodnie ze wszystkimi instrukcjami dotyczącymi ładowania i nie ładować akumulatora ani narzędzia w temperaturach wykraczających poza zakres określony w instrukcji.** Nieprawidłowe ładowanie lub ładowanie w temperaturach wykraczających poza dopuszczalny zakres może uszkodzić akumulator i zwiększyć ryzyko pożaru.

## Ogólne zasady bezpieczeństwa



**OSTRZEŻENIE:** Przed rozpoczęciem użytkowania produktu przeczytać następujące ostrzeżenia.

- Produkt ten może być niebezpieczny w przypadku jego nieprawidłowego użytkowania i niezachowania ostrożności. Nieprzestrzeganie instrukcji bezpieczeństwa może spowodować obrażenia ciała lub śmierć.
- Niniejszy produkt podczas pracy wytwarza pole elektromagnetyczne. W pewnych okolicznościach pole to może zakłócać pracę aktywnych lub pasywnych implantów medycznych. Przed użyciem tego produktu osoby z wszczepionym implantem medycznym powinny skonsultować się z lekarzem i producentem implantu w celu ograniczenia ryzyka poważnych lub śmiertelnych obrażeń.
- Zawsze zachowywać ostrożność i kierować się zdrowym rozsądkiem. Jeśli nie ma pewności, w jaki sposób należy obsługiwać ten produkt w konkretnej sytuacji, przed wznowieniem pracy należy porozmawiać z dealerem Husqvarna.
- Pamiętać o tym, że operator ponosi odpowiedzialność za wypadki z udziałem innych ludzi i ich własności.
- Utrzymywać produkt czystym. Upewnić się, że można łatwo odczytać oznaczenia i naklejki.
- Nie wolno pozwalać dzieciom ani osobom, które nie zapoznały się z niniejszymi instrukcjami obsługi, na obsługiwanie urządzenia. Przepisy lokalne mogą narzucać ograniczenia dotyczące wieku operatora urządzenia.
- Należy zawsze kontrolować osobę o ograniczonych możliwościach fizycznych lub umysłowych podczas używania produktu. Zawsze musi jej towarzyszyć odpowiedzialna osoba dorosła.
- Osoba, która jest zmęczona, chora lub pod wpływem alkoholu, narkotyków lub lekarstw nie może obsługiwać urządzenia. Stany te mają negatywny wpływ na wzrok, uwagę, koordynację i osąd.
- Jeżeli produkt jest uszkodzony lub nie działa prawidłowo, nie należy go używać.

- Nie wolno dokonywać w maszynie zmian stanowiących modyfikację jej oryginalnej wersji. Nie używać maszyny, jeżeli istnieje podejrzenie, że ktoś inny wprowadził w niej zmiany.

## Pracuj bezpiecznie



**OSTRZEŻENIE:** Przed rozpoczęciem użytkowania produktu przeczytać następujące ostrzeżenia.

- Urządzenie służy do układania pętli ograniczającej i przewodu doprowadzającego robotów koszących w podłożu. Nie używać produktu do innych zadań.
- Stosować środki ochrony osobistej. Patrz *Środki ochrony osobistej na stronie 295*.
- Należy zawsze wiedzieć, jak szybko wyłączyć silnik w razie awarii.
- Nie używać urządzenia podczas deszczu ani w wilgotnym otoczeniu. Dostanie się wody do wnętrza urządzenia zwiększa ryzyko porażenia prądem.
- Nie wolno obsługiwać urządzenia, jeśli wiertnica oraz wszystkie pokrywki nie zostały prawidłowo zamocowane. Nieprawidłowo zamocowana wiertnica może poluzować się i spowodować obrażenia.
- Usunąć obiekty, takie jak gałęzie, gałązki i kamienie z obszaru roboczego przed rozpoczęciem korzystania z maszyny.
- Obiekty zderzające się z osprzętem do układania przewodów mogą zostać odrzucone, powodując obrażenia ciała i uszkodzenia przedmiotów. Osoby znajdujące się w pobliżu i zwierzęta powinny zachować bezpieczną odległość od maszyny.
- Nigdy nie należy używać produktu w niesprzyjających warunkach np. we mgle, w deszczu, przy silnym wietrze, na silnym mrozie, gdy występuje ryzyko wyładowań atmosferycznych. Korzystanie z maszyny w niesprzyjających warunkach lub w wilgotnych czy mokrych lokalizacjach jest męczące. Niesprzyjające warunki pogodowe mogą stworzyć niebezpieczne warunki, takie jak śliskie powierzchnie.
- Należy uważać na osoby, przedmioty i sytuacje, które mogą uniemożliwić bezpieczną obsługę maszyny.
- Należy zwracać uwagę na przeszkody, takie jak korzenie, kamienie, gałązki, dziury i doły. Wysoka trawa może zasłaniać przeszkody.
- Nie należy używać maszyny na pochyłościach terenu przekraczających 15°.
- Zachować szczególną ostrożność podczas zmiany kierunku jazdy na zboczach. Należy używać maszyny, prowadząc ją w poprzek zbocza. Nie należy jeździć w górę i w dół zbocza.
- Zachować ostrożność podczas zbliżania się do narożników lub innych obiektów, które mogą ograniczać widoczność.

- Należy upewnić się, że wiertnica nie uderza w żadne obiekty, takie jak kamienie i korzenie. Może to spowodować uszkodzenie wiertnicy oraz wygięcie wałka silnika. Wygięty wałek silnika powoduje silne drgania oraz bardzo duże ryzyko poluzowania wiertnicy.
- Jeśli wiertnica uderzy w jakikolwiek obiekt lub jeśli wystąpią drgania, należy natychmiast wyłączyć urządzenie. Zatrzymać silnik, wyjąć kluczyk bezpieczeństwa i wymontować akumulator. Poczekać, aż ruchome części zatrzymają się. Należy sprawdzić maszynę pod kątem uszkodzeń. Dokręcić luźne części. Naprawić uszkodzenia i wymienić uszkodzone części. Wykonanie przeglądu należy zlecić autoryzowanemu warsztatowi obsługi technicznej.
- Nie wolno na stałe przymocowywać dźwigni obsługi wiertnicy do uchwytu przy włączonym silniku.
- Maszynę należy ustawić na stabilnej, płaskiej powierzchni i ją uruchomić.
- Podczas obsługi maszyny zawsze należy stać za nią.
- Podczas obsługi maszyny należy upewnić się, że wszystkie koła dotykają podłoża oraz trzymać na kierownicy obie dłonie.
- Nie wolno zbliżać rąk ani stóp do obracającej się wiertnicy.
- Nie przechylać produktu podczas uruchamiania silnika ani podczas pracy produktu.
- Należy zachować ostrożność podczas ciągnięcia maszyny do tyłu.
- Nie wolno podnosić urządzenia przy włączonym silniku. Jeśli konieczne jest podniesienie urządzenia, należy najpierw wyłączyć silnik, wyjąć kluczyk bezpieczeństwa i wymontować akumulator.
- Nie należy poruszać się do tyłu podczas obsługi maszyny.
- Jeśli zajdzie konieczność przechylenia urządzenia w celu przetransportowania, należy zwolnić dźwignię obsługi wiertnicy w celu jej zatrzymania.
- Nie należy biegać z maszyną przy włączonym silniku. Podczas obsługi maszyny zawsze należy poruszać się chodem.
- Przed zmianą głębokości układania przewodu należy wyłączyć silnik. Nie wolno przeprowadzać regulacji przy włączonym silniku.
- Nie wolno pozostawiać urządzenia poza zasięgiem wzroku przy włączonym silniku. Należy wyłączyć silnik i upewnić się, że wiertnica nie obraca się.
- Drgania produktu podczas pracy mogą różnić się od wartości drgań deklarowanej w *Dane techniczne na stronie 305*. Różnica jest spowodowana różnymi sposobami użytkowania produktu. W przypadku częściej lub dłuższej eksploatacji produktu należy regularnie robić przerwy, aby zapobiec obrażeniom ciała w wyniku wibracji.

## Instrukcje bezpieczeństwa dotyczące obsługi

Przed rozpoczęciem użytkowania produktu należy zapoznać się z poniższymi instrukcjami.

- Upewnić się, że przewód na prowadnicy przewodu nie jest uszkodzony.
- Upewnić się, że rurka w żeberku podającym nie jest uszkodzona. Jeśli rurka jest zużyta lub uszkodzona, należy ją wymienić.

(Rys. 16)

- Upewnić się, że krawędź wokół otworu nie jest ostra ani uszkodzona. Wymienić prowadnicę przewodu, jeśli jest uszkodzona.
- Upewnić się, że wszystkie śruby są dokręcone.
- Upewnić się, że wszystkie dźwignie są ustawione w położeniu neutralnym.

## Środki ochrony osobistej



**OSTRZEŻENIE:** Przed rozpoczęciem użytkowania produktu przeczytać następujące ostrzeżenia.

- Środki ochrony osobistej nie eliminują ryzyka odniesienia obrażeń, ograniczają natomiast ich rozmiar w razie zaistnienia wypadku. Skorzystać z pomocy dealera przy wyborze odpowiedniego sprzętu.
- Należy używać mocnego, przeciwpoślizgowego obuwia ochronnego lub obuwia roboczego. Nie należy używać otwartego obuwia lub chodzić boso.
- Stosować wytrzymałe, długie spodnie.
- W razie potrzeby, na przykład podczas mocowania, kontroli lub czyszczenia osprzętu do układania przewodów, należy użyć rękawic ochronnych.
- Zalecamy stosowanie ochronników słuchu.

## Urządzenia zabezpieczające na produkcie



**OSTRZEŻENIE:** Przed rozpoczęciem użytkowania produktu przeczytać następujące ostrzeżenia.

- Nie używać produktu z urządzeniami zabezpieczającymi, które są uszkodzone lub nie działają prawidłowo.
- Nie wolno wymontowywać ani modyfikować urządzeń zabezpieczających.
- Regularnie przeprowadzać kontrole urządzeń zabezpieczających. Jeśli urządzenia zabezpieczające są uszkodzone lub nie działają prawidłowo, należy skontaktować się z warsztatem obsługi technicznej Husqvarna.

## Kluczyk bezpieczeństwa

Kluczyk bezpieczeństwa znajduje się pod pokrywą akumulatora. Kluczyk bezpieczeństwa służy do podłączenia akumulatora, który zasilą silnik.

## Sprawdzanie kluczyka bezpieczeństwa

Kluczyk bezpieczeństwa służy do podłączenia akumulatora, który zasilą silnik.

- Uruchomić i wyłączyć silnik. Jeżeli kluczyk bezpieczeństwa działa prawidłowo, silnik uruchomi się tylko po przekręceniu kluczyka w położenie blokady bezpieczeństwa.

## Dźwignia obsługi wiertnicy

Dźwignia obsługi wiertnicy zatrzymuje wiertnicę. Zwolnienie dźwigni obsługi wiertnicy powoduje jej zatrzymanie.

W celu sprawdzenia dźwigni obsługi wiertnicy należy uruchomić silnik, a następnie zwolnić tę dźwignię. Jeśli wiertnica nie zatrzyma się po upływie 3 sekund, należy skontaktować się z autoryzowanym warsztatem obsługi technicznej Husqvarna.

(Rys. 17)

## Zasady bezpieczeństwa związane z akumulatorem



**OSTRZEŻENIE:** Przed rozpoczęciem użytkowania produktu przeczytać następujące ostrzeżenia.

- Używać akumulatorów Husqvarna wyłącznie do zasilania powiązanych produktów Husqvarna. Aby uniknąć obrażeń, nie należy używać akumulatora jako źródła zasilania innych produktów.
- Nie używać baterii jednorazowego użytku.
- Ryzyko porażenia prądem. Nie przykładaj zacisków akumulatora do kluczy, monet, śrub lub innych metalowych przedmiotów. Może to spowodować zwarcie akumulatora.
- Nie wkładaj żadnych przedmiotów do szczelin powietrznych akumulatora.
- Chronić akumulator przed bezpośrednim działaniem promieni słonecznych, wysoką temperaturą i otwartym płomieniem. Akumulator może wybuchnąć i spowodować oparzenia i/lub oparzenia chemiczne.
- Akumulator należy chronić przed deszczem i wodą.
- Akumulator należy chronić przed działaniem mikrofal i wysokiego ciśnienia.
- Nie próbować rozbierać ani rozbijać akumulatora.
- Jeśli doszło do wycieku z akumulatora, unikaj kontaktu cieczy ze skórą i oczami. W przypadku dotknięcia cieczy przemyć skórę dużą ilością wody i zgłoś się do lekarza.
- Akumulator produktu może być używany wyłącznie przy temperaturze otoczenia od 5 do 40°C.

- Ładowarka akumulatora może być używana wyłącznie przy temperaturze otoczenia od 5 do 40°C.
- Akumulator nie będzie się ładować, jeżeli jego temperatura przekroczy 50°C.
- Do czyszczenia akumulatora i ładowarki nie należy używać wody. Patrz *Czyszczenie akumulatora i ładowarki na stronie 302*.
- Nie wolno używać uszkodzonego akumulatora.
- Przechowywać akumulatory z dala od metalowych przedmiotów, takich jak gwoździe, monety czy biżuteria.

## Zasady bezpieczeństwa w czasie obsługi ładowarki



**OSTRZEŻENIE:** Przed rozpoczęciem użytkowania produktu przeczytać następujące ostrzeżenia.

- Używać ładowarki QC jedynie do ładowania akumulatorów wymiennych Husqvarna.
- Istnieje ryzyko porażenia prądem i zwarcia. Nie wkładaj żadnych przedmiotów do szczelin wentylacyjnych ładowarki. Nie należy podejmować prób rozmontowania ładowarki. Nie zwierać końcówek ładowarki metalowymi przedmiotami. Należy korzystać z zatwierdzonego gniazda zasilania.
- Niniejszy produkt podczas pracy wytwarza pole elektromagnetyczne. W pewnych okolicznościach pole to może zakłócać pracę aktywnych lub pasywnych implantów medycznych. Przed przystąpieniem do pracy z produktem, w celu ograniczenia ryzyka poważnych lub śmiertelnych obrażeń, osoby posiadające implanty medyczne powinny skonsultować się z lekarzem oraz ich producentem.
- Należy regularnie sprawdzać, czy przewód zasilający ładowarki do akumulatora nie jest uszkodzony i popękany.
- Nie podnosić ładowarki do akumulatora za przewód zasilający. Aby odłączyć ładowarkę do akumulatora od gniazda, wyciągnąć wtyczkę. Nie ciągnąć za przewód.
- Uważać, aby przewód zasilający i przedłużacz nie stykały się z wodą, olejem ani nie dotykały ostrych krawędzi. Uważać także, aby przewód nie został zakleszczony w drzwiach, furtkach, płotach itp. Może to spowodować, że ładowarka znajdzie się pod napięciem.
- Do czyszczenia ładowarki nie należy używać wody.
- Ładowarka do akumulatora może być używana przez dzieci, które przekroczyły 8 rok życia, oraz przez osoby o ograniczonych zdolnościach fizycznych, sensorycznych bądź umysłowych lub nie posiadające odpowiedniego doświadczenia i wiedzy, jeśli są one pod nadzorem lub zostały poinstruowane w zakresie bezpiecznego użytkowania ładowarki



i rozumieją wiążące się z nią zagrożenia. Dzieci nie mogą bawić się ładowarką do akumulatora. Dzieci nie mogą bez nadzoru czyścić urządzenia ani przeprowadzać jego konserwacji.

- Nie należy ładować akumulatorów nieprzeznaczonych do ładowania.
- Nie używać ładowarki do akumulatora w pobliżu łatwopalnych materiałów lub materiałów, które mogą powodować korozję. Ładowarki nie należy przykrywać. W razie zauważenia dymu lub ognia należy odłączyć ładowarkę od źródła zasilania.
- Nie wolno używać uszkodzonej ładowarki do akumulatora.
- Należy ładować akumulator wyłącznie wewnątrz budynku, w pomieszczeniu z dobrym przepływem powietrza i z dala od światła słonecznego. Nie ładować akumulatora w wilgotnym otoczeniu.

## Instrukcje bezpieczeństwa dotyczące konserwacji



**OSTRZEŻENIE:** Przed rozpoczęciem użytkowania produktu przeczytać następujące ostrzeżenia.

- Przed przystąpieniem do konserwacji wyjąć kluczyk bezpieczeństwa.
- Prace konserwacyjne należy wykonywać w prawidłowy sposób, aby zwiększyć żywotność

produktu i zmniejszyć ryzyko wypadków. Wykonanie profesjonalnych napraw należy zlecić autoryzowanemu punktowi serwisowemu. Więcej informacji można uzyskać w najbliższym punkcie serwisowym.

- Należy wykonywać jedynie prace konserwacyjne opisane w instrukcji obsługi.
- Osprzętu do układania przewodów należy dotykać w solidnych rękawicach ochronnych.
- W celu uzyskania jak najlepszych efektów i zapewnienia bezpieczeństwa urządzenie należy utrzymywać w czystości.
- Regularnie oddawać urządzenie do autoryzowanego punktu serwisowego w celu jego kontroli i dokonania koniecznych regulacji lub napraw.
- Wymienić uszkodzone, zużyte lub zniszczone części.
- Należy przestrzegać instrukcji wymiany akcesoriów. Używać wyłącznie akcesoriów od producenta urządzenia.
- Gdy urządzenie nie jest użytkowane, należy przechowywać produkt, akumulator i ładowarkę z dala od siebie, w suchym i zamkniętym pomieszczeniu. Upewnić się, że dzieci ani osoby niepowołane nie mogą uzyskać dostępu do produktu, akumulatora ani ładowarki.

## Montaż

### Wstęp



**OSTRZEŻENIE:** Przed zmontowaniem produktu należy zapoznać się z rozdziałem dotyczącym bezpieczeństwa.

### Montaż wiertnicy

1. Włożyć wiertnicę (A) w głowicę wiertnicy (B) i wkręcić długą śrubę (C). (Rys. 18)

**Uwaga:** Do montażu wiertnicy konieczny jest klucz imbusowy 6 mm.

2. Zamontować głowicę wiertnicy na wałku (D) za pomocą krótkiej śruby (E).
3. Dokręcić śruby.

### Montaż przewodu

Urządzenie jest wyposażone w zwijacz przewodu ze sprzęgłem, który można wyjąć.

1. Założyć przewód na zwijacz. Za pomocą pokrętła obracać zwijacz przewodu w prawo.

**Uwaga:** Przewód należy nawinąć na zwijaczu w prawą stronę, aby podczas pracy odwijał się swobodnie. (Rys. 19)

2. Wcisnąć przewód w rurkę w żeberku podającym (A), aż wysunie się z dolnej części (B) na około 5 cm. (Rys. 20)

### Montaż i wymontowanie zwijacza przewodu

1. Odkręcić pokrętło (A). (Rys. 21)
2. Wymontować element ustalający (B).
3. Wyjąć zwijacz przewodu (C).
4. Zamontować zwijacz przewodu (D). W razie konieczności należy użyć adaptera. (Rys. 22)
5. Zamontować element ustalający (E) i dokręcić pokrętło (F).

# Przeznaczenie

## Wstęp



**OSTRZEŻENIE:** Przed użyciem urządzenia należy przeczytać ze zrozumieniem rozdział poświęcony bezpieczeństwu.

## Husqvarna Fleet Services™

Husqvarna Fleet Services™ to rozwiązanie wykorzystujące technologię chmury, umożliwiające operatorowi przegląd wszystkich podłączonych produktów. Na tym produkcie można zamontować czujnik Husqvarna Fleet Services™. Czujnik Husqvarna Fleet Services™ zbiera dane o produkcie i pozwala użytkownikowi połączyć się z systemem Husqvarna Fleet Services™. System Husqvarna Fleet Services™ podaje takie dane jak czas pracy, okresy serwisowe oraz położenie produktu.

Aby uzyskać więcej informacji na temat Husqvarna Fleet Services™, pobierz aplikację Husqvarna Fleet Services™ lub porozmawiaj ze swoim przedstawicielem firmy Husqvarna.

## Przygotowanie czujnika (akcesorium)

1. Otworzyć osłonę czujnika za pomocą przeznaczonego do tego klucza. (Rys. 23)
2. Wyjąć czujnik.
3. Włożyć baterię do czujnika. Zapali się dioda LED czujnika. (Rys. 24)
4. Pobrać aplikację Husqvarna Fleet Services™.
5. Zalogować się do aplikacji Husqvarna Fleet Services™.
6. Przeprowadzić proces parowania. Więcej informacji znajduje się w *Proces parowania aplikacji z produktem na stronie 298*

## Proces parowania aplikacji z produktem

1. Zalogować się do aplikacji Husqvarna Fleet Services™.
2. Wybrać produkt w aplikacji.
3. Za pomocą urządzenia przenośnego zeskanować kod znajdujący się za czujnikiem, aby zainstalować czujnik w aplikacji.

**Uwaga:** Przeprowadzanie parowania aplikacji z produktem jest konieczne tylko raz.

## Montaż czujnika

1. Należy sprawdzić, czy czujnik jest podłączony do aplikacji Husqvarna Fleet Services™. Więcej informacji znajduje się w *Proces parowania aplikacji z produktem na stronie 298*.
2. Wywiercić 2 otwory zgodnie z oznaczeniami na gnieździe osłony. (Rys. 25)

**Uwaga:** Sprawdzić, czy otwory mają takie same wymiary jak nity dostarczone z czujnikiem.

3. Za pomocą szczypiec płaskich usunąć zewnętrzne otwory gniazda czujnika. (Rys. 26)
4. Wywiercić 2 otwory o średnicy zgodnie z oznaczeniami na gnieździe czujnika. (Rys. 27)
5. Dopasować gniazdo czujnika do gniazda osłony. (Rys. 28)
6. Przymocować gniazdo czujnika za pomocą nitów.
7. Zamontować czujnik w gnieździe czujnika. Wyrównać białe oznaczenie na czujniku z oznaczeniem na gnieździe czujnika. (Rys. 29)
8. Zamknąć pokrywę czujnika i zablokować ją za pomocą przeznaczonego do tego klucza. Upewnić się, że logo z literą Husqvarna „H” jest skierowane górą częścią w stronę kluczyka bezpieczeństwa. (Rys. 30)

## Akumulator



**OSTRZEŻENIE:** Przed rozpoczęciem korzystania z akumulatora należy przeczytać ze zrozumieniem rozdział poświęcony bezpieczeństwu. Należy również przeczytać uważnie instrukcję obsługi dołączonej do akumulatora i ładowarki.

Zapewnić akumulatorowi i ładowarce prawidłową temperaturę otoczenia.

	Temperatura otoczenia
Działanie akumulatora	5–40°C
Ładowanie akumulatora	5–40°C

## Stan akumulatora

Na wyświetlaczu pokazywane są informacje o stanie naładowania akumulatora i sygnalizowane ewentualne problemy. Stan naładowania akumulatora jest wyświetlany przez 5 s po wyłączeniu urządzenia lub po naciśnięciu przycisku wskaźnika akumulatora.

W przypadku wystąpienia błędu włącza się symbol ostrzegawczy na akumulatorze. Patrz *Akumulator na stronie 303*.

(Rys. 31)

Diody LED	Stan akumulatora
Świecą się wszystkie diody LED.	W pełni naładowany (75–100%).
Świecą się diody LED 1, LED 2, LED 3.	Poziom naładowania akumulatora 50–75%.
Świecą się diody LED 1, LED 2.	Poziom naładowania akumulatora 25–50%.
Świeci się dioda LED 1.	Poziom naładowania akumulatora: 0–25%.
Miga dioda LED 1.	Akumulator rozładowany. Naładuj akumulator.

## Ładowanie akumulatora

Przed pierwszym użyciem należy naładować akumulator. W chwili dostawy do klienta akumulator jest naładowany jedynie w 30%.

**Uwaga:** Ładowarka do akumulatora musi zostać podłączona do napięcia i częstotliwości wskazanych na tabliczce znamionowej.

Akumulator nie ładuje się, gdy temperatura akumulatora przekracza 50°C. Przed rozpoczęciem ładowania ładowarka zmniejsza temperaturę akumulatora.

1. Podłączyć jeden koniec przewodu zasilającego ładowarki do gniazda ładowarki.
2. Podłączyć drugi koniec przewodu zasilającego ładowarki do gniazda sieciowego z uziemieniem. Dioda ładowarki błysnie jeden raz na zielono. (Rys. 32)
3. Włożyć akumulator do ładowarki. Kiedy akumulator jest prawidłowo podłączony do ładowarki, włącza się na niej zielona dioda. (Rys. 33)
4. Akumulator jest całkowicie naładowany, gdy włącza się wszystkie diody. Akumulator można ładować przez maks. 24 godziny.
5. Aby odłączyć ładowarkę od gniazda sieciowego, należy ciągnąć za wtyczkę, a nie za przewód.
6. Akumulator należy wyjąć z ładowarki.

## Stan ładowania akumulatora

Akumulator litowo-jonowy Husqvarna można ładować i używać przy różnych poziomach naładowania.

Akumulator nie jest uszkodzony. W pełni naładowany akumulator nie będzie się rozładowywał, nawet jeśli zostanie w ładowarce.

Wyświetlacz LED	Stan ładowania
Miga dioda LED 1.	0–25%
Dioda LED 1 świeci, a dioda LED 2 miga.	25–50%
Diody LED 1 i LED 2 świecą, a dioda LED 3 miga.	50–75%
Diody LED 1, LED 2 i LED 3 świecą, a dioda LED 4 miga.	75–100%
Świecą diody LED 1, LED 2, LED 3 i LED 4	Akumulator całkowicie naładowany

## Przed obsługą produktu

1. Dzień przed rozpoczęciem pracy w okresie letnim lub jeśli gleba jest sucha, należy podlać podłoże.
2. Upewnić się, że ludzie i zwierzęta znajdują się w odległości co najmniej 20 m od urządzenia.
3. Założyć przewód na zwijacz. Patrz *Montaż przewodu na stronie 297*.
4. Ustawić głębokość układania przewodu. Patrz *Ustawianie głębokości układania przewodu na stronie 300*.
5. Zamocować koniec przewodu do szpilki.

## Uruchamianie produktu

1. Odchylić uchwyt sterowniczy w bok. Patrz *Odchylenie uchwytu sterowniczego na stronie 300*.
2. Otworzyć pokrywę akumulatora.
3. Umieścić naładowany akumulator w gnieździe nr 1 pod pokrywą akumulatora. Aby zapewnić dłuższy czas pracy, należy umieścić drugi akumulator w gnieździe nr 2.
4. Odłączyć kluczyk bezpieczeństwa od uchwytu.
5. Wsunąć kluczyk bezpieczeństwa do blokady bezpieczeństwa. (Rys. 34)
6. Należy pozostawać za maszyną.
7. Nacisnąć przycisk trybu gotowości (A) na panelu sterowania. Zaświeci się kontrolka trybu gotowości (B). (Rys. 35)
8. Nacisnąć przycisk start/stop (C), aż pozostanie wciśnięty. Uruchamia się silnik.



**UWAGA:** Nie wolno używać urządzenia, jeśli kontrolka ostrzegawcza (D) miga w kolorze czerwonym.

9. Pchnąć dźwignię obsługi wiertnicy w kierunku uchwytu sterowniczego, aby włączyć wiertnicę. (Rys. 36)

## Korzystanie z napędu kół

- Pociągnąć dźwignię sterowania napędem (A) w kierunku uchwytu sterującego, aby włączyć napęd kół. (Rys. 37)
- Zwolnić dźwignię sterowania napędem, aby wyłączyć napęd kół.

## Ustawianie głębokości układania przewodu

1. Odkręcić pokrętko (A). (Rys. 38)
2. Ustawić koło podporowe (B) na wymaganą głębokość układania przewodu i dokręcić pokrętko.

**Uwaga:** Cyfry (C) znajdujące się z boku rury koła podporowego wskazują głębokość układania przewodu w cm. Głębokość tę można regulować w zakresie 1–6 cm.

## Regulacja wysokości uchwytu sterowniczego

Wysokość uchwytu sterowniczego można ustawić w 5 położeniach.

1. Obrócić uchwyt (A) w lewo, aby go poluzować i odkręcić pokrętko (B). (Rys. 39)
2. Ustawić wysokość uchwytu sterowniczego i wkręcić pokrętko w najbliższej położony otwór.
3. Obrócić uchwyt w prawo, aby go dokręcić.

## Odchylenie uchwytu sterowniczego

Uchwyt sterowniczy można odchylić, aby zapobiec uderzeniu o przeszkody podczas obsługi urządzenia.

Uchwyt sterowniczy można odchylić w 4 położenia po prawej stronie i w 4 położenia po lewej stronie.

1. Pociągnąć dźwignię odchylenia uchwytu sterowniczego (A) maksymalnie w kierunku uchwytu i przytrzymać go. Dźwignia odchylenia uchwytu sterowniczego znajduje się w dolnej części uchwytu po lewej stronie. (Rys. 40)
2. Odchylić uchwyt sterowniczy w 1 z 4 położen w lewo lub w prawo i zwolnić dźwignię odchylenia uchwytu. Upewnić się, że sworzeń blokujący położenie uchwytu sterowniczego znajduje się w 1 z otworów. (Rys. 41)

## Blokowanie funkcji obracania żeberka podającego

W celu zwiększenia precyzji kierunku podczas układania przewodu w długich, prostych odcinkach można zablokować funkcję obracania żeberka podającego.

- Upewnić się, że żeberko podające jest ustawione w tym samym kierunku co urządzenie, i dokręcić uchwyt (A). (Rys. 42)

## Regulacja prowadnicy przewodu

Urządzenie jest przystosowane do przewodów o średnicy 4 mm. Jeśli przewód ma większą średnicę, należy wyregulować jego prowadnicę.

1. Poluzować 2 śruby. (Rys. 43)
2. Przesunąć prowadnicę przewodu o kilka milimetrów w górę.
3. Dokręcić 2 śruby.

## Regulacja rozstawu kół

Położenie kół można dostosować do różnych rozstawów. W osi po lewej i w osi po prawej stronie znajdują się po 4 otwory regulacyjne. Rozstaw kół można ustawić na odległość 250, 270, 290 lub 310 mm od środka wiertnicy. (Rys. 44)

1. Wyciągnąć sworzeń (A).
2. Ustawić koła na wymagany rozstaw.
3. Włożyć sworzeń w jeden z 4 otworów (B) w osi.
4. Zablokować sprężynę zabezpieczającą.

## Rozpoczęcie pracy

Po zamontowaniu przewodu i wiertnicy operator musi przymocować przewód do podłoża.

1. Umieścić szpilkę w ziemi.
2. Przymocować część przewodu wychodzącą z dolnej części jego prowadnicy do szpilki.

## Korzystanie z prowadnicy 2-przewodowej

Jeśli urządzenie oddala się od zewnętrznej krawędzi obszaru roboczego, należy jednocześnie układać 2 przewody.

1. Osadzić 1 przewód w podłożu wzdłuż całej krawędzi. Patrz rysunek (A) i (B). (Rys. 45) (Rys. 46)
2. Po znalezieniu się w punkcie pokazanym na rysunku (C) należy ustawić koło podporowe w najwyższym położeniu, aby wyjąć żeberko podające z gleby. Zamocować przewód za pomocą szpilki i kontynuować rozprawianie przewodu nad głębą aż do następnego punktu. (Rys. 47)
3. Zamocować przewód za pomocą szpilki w punkcie pokazanym na rysunku (D). (Rys. 48)
4. Włożyć żeberko podające na odpowiednią głębokość układania przewodu i kontynuować osadzanie w podłożu, aby utworzyć wyspę. Patrz rysunek (E). (Rys. 49)
5. Po osiągnięciu punktu wskazanego na rysunku (F) należy wyciągnąć szpilkę i oczyścić żeberko podające. Patrz *Czyszczenie żeberka podającego na stronie 302*. (Rys. 50)
6. Zmontować przewód nad podłożem w prowadnicy przewodu. (Rys. 51)

- Osadzić jednocześnie 2 przewody do punktu wskazanego na rysunku (G). Zamocować 2 przewody do szpilki i odłączyć drugi przewód od prowadnicy przewodu. (Rys. 52)
- Kontynuować osadzanie przewodu obwodowego do punktu wskazanego na rysunku (H). (Rys. 53)
- Nacisnąć przycisk start/stop na panelu sterowania.
- Nacisnąć przycisk trybu gotowości na panelu sterowania.
- Otworzyć pokrywę akumulatora.
- Wyjąć kluczyk z blokady bezpieczeństwa i umieścić go w uchwycie.
- Za pomocą skrobaka oczyścić żeberko podające. Patrz *Czyszczenie żeberka podającego na stronie 302*.
- Każdorazowo po zakończeniu pracy należy oczyścić i nasmarować głowicę wiertnicy. Patrz *Czyszczenie i smarowanie głowicy wiertnicy na stronie 302*.

## Wylączenie produktu

Urządzenie zatrzymuje się automatycznie, jeśli nie jest używane przez 3 min.

- Zwolnić dźwignię napędu (A), aby wyłączyć napęd kół. (Rys. 37)
- Zwolnić dźwignię obsługi wiertnicy, aby zatrzymać wiertnicę. (Rys. 17)

## Przegląd

### Wstęp



**OSTRZEŻENIE:** Przed przeprowadzeniem konserwacji należy przeczytać i zrozumieć rozdział o bezpieczeństwie.

Do wykonywania wszelkich prac serwisowych i naprawczych konieczne jest specjalistyczne przeszkolenie. Gwarantujemy dostępność profesjonalnych napraw i usług serwisowych.

Aby uzyskać więcej szczegółowych informacji, patrz [www.husqvarna.com](http://www.husqvarna.com).

### Plan konserwacji

Odstępy pomiędzy konserwacjami obliczane są w oparciu o codzienne wykorzystanie produktu. Odstępy te ulegają zmianie, jeśli maszyna nie jest użytkowana codziennie.

Czynności konserwacyjne oznaczone znakiem \*, patrz *Urządzenia zabezpieczające na produkcie na stronie 295*.

	Każde użycie	Co miesiąc	Co sezon
Przeprowadzić ogólny przegląd.	X		
Sprawdzić, czy urządzenia zabezpieczające są sprawne.*	X		
Sprawdzić wiertnicę i żeberko podające.	X		
Sprawdzić dźwignię obsługi wiertnicy *.	X		
Upewnić się, że przycisk start/stop działa prawidłowo i jest sprawny.	X		
Sprawdzić akumulator pod kątem uszkodzeń.	X		
Sprawdzić naładowanie akumulatora.	X		
Sprawdzić, czy przyciski zwalniające akumulator działają prawidłowo oraz czy blokuje się on na miejscu w urządzeniu.	X		
Oczyścić wloty powietrza na silniku. Sprawdzić, czy do wlotów powietrza nie przedostała się trawa ani zanieczyszczenia.	X		
Nasmarować części niemalowane.	X		
Nasmarować części, na których powłoka cynkowa jest zużyta.	X		
Oczyścić i nasmarować głowicę wiertnicy.	X		
Oczyścić żeberko podające.	X		
Sprawdzić, czy ładowarka nie jest uszkodzona oraz czy działa prawidłowo.		X	

	Każde użycie	Co miesiąc	Co sezon
Sprawdzić połączenia pomiędzy akumulatorem a urządzeniem. Sprawdzić również połączenie pomiędzy akumulatorem a ładowarką.			X

## Czyszczenie żeberka podającego

- Za pomocą skrobaka usunąć glebę i oczyścić żeberko podające. (Rys. 54)

## Wymiana żeberka podającego

1. Przechylić urządzenie do przodu i powoli położyć je na podłożu.
2. Wykręcić 2 śruby (A) i wymontować żeberko podające (B). (Rys. 55)
3. Zamontować nowe żeberka podające, wykonując procedurę w odwrotnej kolejności.

## Wymiana wiertnicy

1. Usunąć trawę i zanieczyszczenia z urządzenia.



**UWAGA:** Upewnić się, że podczas montażu do wiertnicy nie przedostały się zanieczyszczenia ani inne niepożądane materiały.

**Uwaga:** Każdorazowo po zakończeniu pracy należy oczyścić i nasmarować obudowę wiertnicy.

2. Wykręcić krótką śrubę (A) i głowicę wiertnicy (B) z wałka (C). (Rys. 56)

**Uwaga:** Do wymiany wiertnicy konieczny jest klucz imbusowy 6 mm.

3. Wykręcić długą śrubę (D) i wymontować wiertnicę (E) z głowicy wiertnicy.
4. Włożyć nową wiertnicę w głowicę wiertnicy i wkręcić długą śrubę.
5. Zamontować głowicę wiertnicy na wałku.
6. Dokręcić śruby.

## Czyszczenie i smarowanie głowicy wiertnicy

Każdorazowo po zakończeniu pracy należy dokładnie oczyścić głowicę wiertnicy.

1. Przechylić urządzenie do przodu i powoli położyć je na podłożu.
2. Usunąć trawę, zanieczyszczenia i niepożądane materiały za pomocą miękkiej szczotki.
3. Za pomocą sprężonego powietrza usunąć mniejsze cząstki trawy i zanieczyszczeń.
4. Wykręcić śruby (A) z głowicy wiertnicy (B) i wyjąć wiertnicę (C). (Rys. 56)
5. Odkręcić 2 śruby (D) i wymontować żeberko podające (E). (Rys. 57)
6. Wykręcić śrubę (F) i wymontować głowicę wiertnicy (G) z wałka (H). (Rys. 58)
7. Oczyścić urządzenie za pomocą sprężonego powietrza. Upewnić się, że wszelkie zanieczyszczenia, trawa i inne niepożądane materiały zostały usunięte.
8. W razie potrzeby usunąć brudny smar za pomocą odpowiedniego rozpuszczalnika.
9. Oczyścić wszystkie podzespoły odpowiednim rozpuszczalnikiem i nasmarować każdy z nich.
10. Nałożyć na wałek wodoodporny smar. (Rys. 59)

## Czyszczenie akumulatora i ładowarki



**OSTRZEŻENIE:** Do czyszczenia akumulatora i ładowarki nie należy używać wody.



**OSTRZEŻENIE:** Do czyszczenia akumulatora nie należy używać żadnych substancji chemicznych.

- Przed włożeniem akumulatora do ładowarki należy sprawdzić, czy akumulator i ładowarka są czyste i suche.
- Zaciski akumulatora należy czyścić sprężonym powietrzem lub miękką i suchą szmatką.
- Powierzchnie akumulatora i ładowarki należy czyścić miękką i suchą szmatką.

## Rozwiązywanie problemów

### Rozwiązywanie problemów

Jeśli nie można znaleźć rozwiązania problemu w tej instrukcji, skontaktować się z warsztatem obsługi technicznej firmy Husqvarna.

Problem	Przyczyna
Silnik nie uruchamia się.	Akumulator nie jest naładowany.
	Akumulator nie jest prawidłowo zamontowany.
	Akumulator jest uszkodzony.
	Panel sterowania jest uszkodzony.
Wiertnica nie obraca się.	Pasek jest zużyty.
	Pasek zsunął się z kół pasowych.
	Dźwignia nie zapewnia dostatecznego naprężenia paska.
Wiertnica kontynuuje obracanie po zwolnieniu dźwigni obsługi wiertnicy.	Przewód biegnący od dźwigni obsługi wiertnicy jest zużyty lub uszkodzony.
Produkt nie działa prawidłowo.	Wiertnica jest zużyta lub uszkodzona.
	Wiertnica nie jest prawidłowo zamontowana.
Po użyciu dźwigni napędu urządzenie nie porusza się.	Przewód biegnący od dźwigni napędu jest zużyty lub uszkodzony.
	Paski przekładni są zużyte.
	Łańcuch jest zerwany lub niedostatecznie naprężony.
	Tarcze sprzęgła w obudowie przekładni są zużyte.
Brak możliwości wymontowania głowicy wiertnicy.	W urządzeniu znajduje się niepożądany materiał.
	Układ uległ utlenieniu.
Izolacja przewodu układanego w podłożu jest uszkodzona.	Otwór wylotowy przeznaczony na przewód na żeberku podającym jest uszkodzony.
	Rurka będąca częścią żeberka podającego, w której znajduje się przewód, jest zanieczyszczona.

## Akumulator

Dioda na akumulatorze	Przyczyna	Rozwiązanie
Miga zielona dioda LED.	Napięcie akumulatora jest niskie.	Naładować akumulator. Patrz <i>Ładowanie akumulatora na stronie 299</i> .
Miga dioda LED błędu.	Akumulator jest słaby.	Naładować akumulator. Patrz <i>Akumulator na stronie 303</i> .
	Temperatura środowiska pracy jest zbyt wysoka lub zbyt niska.	Akumulator można użytkować w zakresie temperatur od -10°C do 40°C.
	Przepięcie.	Sprawdzić, czy napięcie sieciowe jest takie, jak podano na tabliczce znamionowej na urządzeniu.  Wyjąć akumulator z ładowarki. Odczekać 5 s i spróbować ponownie naładować akumulator. Jeśli problem utrzymuje się, skontaktować się z autoryzowanym warsztatem obsługi technicznej.

Dioda na akumulatorze	Przyczyna	Rozwiązanie
Dioda LED błędu jest włączona.	Zbyt wysoka różnica między ogniwa- mi akumulatora (1 V).	Skontaktować się z autoryzowanym ser- wisowym.

## Ładowarka

Dioda na ładowarce	Przyczyna	Rozwiązanie
Miga dioda LED błę- du.	Temperatura środowiska pracy jest zbyt wysoka lub zbyt niska.	Ładowarkę akumulatora można użytkować w zakresie temperatur od 5°C do 40°C.
Dioda LED błędu jest włączona.		Skontaktować się z autoryzowanym punktem serwisow- wym.

## Panel sterowania

Kod błędu (liczba mignięć)	Możliwe usterki	Możliwe działania
5	Prędkość obrotowa silnika spada zbyt mocno i silnik wyłącza się.	Oczyścić głowicę wiertnicy i zmniejszyć głębokość układania przewodu. Patrz <i>Czy- szczenie i smarowanie głowicy wiertnicy na stronie 302</i> i <i>Ustawianie głębokości układa- nia przewodu na stronie 300</i> . Jeśli problem utrzymuje się, skontaktować się z warszta- tem obsługi technicznej.
8	Akumulator jest słaby.	Naładować akumulator. Patrz <i>Ładowanie akumulatora na stronie 299</i> .
9	Błąd akumulatora lub brak sygnału z akumu- latora.	Prawidłowo umieścić akumulator w urządze- niu i sprawdzić złącze akumulatora. Jeśli mi- ga dioda LED błędu na akumulatorze, patrz <i>Akumulator na stronie 303</i> .
10	Sterownik silnika jest zbyt gorący.	Wyłączyć silnik i poczekać, aż ostygnie.
Inne błędy	W przypadku wystąpienia innego błędu wyjąć kluczyk bezpieczeństwa oraz akumulator i skonsultować się z autoryzowanym warszta- tem obsługi technicznej.	

## Transport, przechowywanie i utylizacja

### Wstęp



**OSTRZEŻENIE:** Aby uniknąć niezamierzonego uruchomienia w trakcie transportu, należy wyjąć kluczyk bezpieczeństwa, wymontować akumulator i odczekać przynajmniej 5 s.

### Transport

- Przepisy dotyczące towarów niebezpiecznych mają zastosowanie do dołączonych akumulatorów litowo-jonowych.
- W przypadku transportu komercyjnego należy przestrzegać specjalnych wymagań umieszczonych na opakowaniu i etykietach.
- W trakcie przygotowywania urządzenia do transportu należy upewnić się, że postępuje się zgodnie z przepisami dotyczącymi materiałów niebezpiecznych. Mogą obowiązywać również lokalne przepisy.



- Zawsze wyjmować akumulator na czas transportu.
- Na złączach akumulatora należy przykleić taśmę i upewnić się, że akumulator nie może się przemieszczać w trakcie transportu.
- W trakcie transportu urządzenie należy zamocować.
- Przed odstawieniem urządzenia na dłuższe przechowywanie należy upewnić się, że poziom naładowania akumulatora wynosi 30%–50%.
- Urządzenie, akumulator i ładowarkę należy trzymać w zamkniętym pomieszczeniu, niedostępnym dla dzieci ani osób nieupoważnionych.

## Przechowywanie

- Przed pozostawieniem na okres przechowania odczekać, aż urządzenie ostygnie.
- Zawsze wyjmować akumulator do przechowania.
- Aby uniknąć wypadków, upewnić się, że akumulator jest odłączony od produktu podczas przechowywania.
- Akumulator należy trzymać w zamkniętym i suchym miejscu.
- Akumulator i ładowarkę należy trzymać w suchym miejscu, w którym nie występuje wilgoć ani mróz.
- Na czas przechowywania odłączyć akumulator od ładowarki.
- Nie przechowywać akumulatora w miejscu, gdzie może występować elektryczność statyczna. Nie przechowywać akumulatora w metalowym pojemniku.
- Produkt należy przechowywać w temperaturze otoczenia w zakresie od -10°C do 40°C.
- Akumulator należy przechowywać w temperaturze otoczenia od 5°C do 25°C, w miejscu osłoniętym przed działaniem promieni słonecznych.
- Ładowarkę należy przechowywać w temperaturze otoczenia od 5°C do 45°C, w miejscu osłoniętym przed działaniem promieni słonecznych.

- Wyczyścić urządzenie.
- Konserwację należy przeprowadzać wyłącznie według instrukcji użytkownika. Patrz *Plan konserwacji na stronie 301*.
- Przed pozostawieniem produktu na dłuższy okres przechowywania należy go wyczyścić oraz przeprowadzić pełny przegląd.

## Utylizacja

Symbole znajdujące się na urządzeniu oraz na opakowaniu informują o tym, że nie wolno traktować go jak zwykłego odpadu domowego. Musi ono zostać oddane do odpowiedniego punktu pobierania surowców wtórnych, zajmującego się przetwarzaniem urządzeń elektrycznych oraz elektronicznych.

Przekazując produkt w odpowiednie miejsce, pomagasz przeciwdziałać jego potencjalnemu negatywnemu wpływowi na środowisko naturalne i ludzi. Aby uzyskać więcej informacji na temat recyklingu niniejszego produktu, skontaktować się z urzędem miasta lub gminy, przedsiębiorstwem gospodarki komunalnej albo punktem sprzedaży, w którym produkt został kupiony.

(Rys. 60)

## Dane techniczne

<b>Silnik wiertnicy</b>	
Typ silnika	BLDC (bezszczotkowy) 36 V
Prędkość obrotowa silnika — nominalna, obr./min	3000/min
Prędkość obrotowa silnika — duże obciążenie, obr./min	3300/min
Moc silnika — maksymalna, kW	1,8
Moc silnika — nominalna, kW	1,2
Przekładnia	Mechaniczna skrzynia biegów z przekładnią w kąpeli olejowej
Sprzęgło	Pasowe, z kołem pasowym
<b>Waga</b>	
Ciężar bez akumulatora (kg)	39
Masa z 2 akumulatorami BLi300, kg	43
<b>Akumulator</b>	
Typ akumulatora	Akumulatory z serii Husqvarna

<b>Czas pracy na akumulatorze</b>	
Czas działania akumulatora, min <sup>69</sup>	38
<b>Poziom hałasu</b> <sup>70</sup>	
Poziom głośności, zmierzona moc akustyczna L <sub>WA</sub> dB (A)	84
Poziom głośności, gwarantowana moc akustyczna L <sub>WA</sub> dB(A)	86
<b>Poziomy głośności</b> <sup>71</sup>	
Poziom ciśnienia akustycznego przy uchu operatora, dB(A)	66
<b>Poziomy drgań</b> <sup>72</sup>	
Uchwyt m/s <sup>2</sup>	1,8
<b>Osprzęt do układania przewodów</b>	
Głębokość układania przewodu, cm	1–6
Odległość między wiertnicą a krawędzią koła, mm	250, 270, 290, 310
Wiertnica	597 04 84-01

Zatwierdzone akumulatory	Marka	Typ	Pojemność akumulatora, Ah	Napięcie, V	Waga, funty/kg
BLi300	Husqvarna	Litowo-jonowy	9,4	36	4,1/1,9

Zatwierdzone ładowarki obsługujące określone akumulatory, BLi	Marka	Napięcie wejściowe, V	Częstotliwość, Hz	Moc, W
QC500	Husqvarna	100–240	50–60	500

<sup>69</sup> Praca swobodna mierzona z włączonym trybem standardowym i 1 akumulatorem Husqvarna 9,4 Ah (BLi300).

<sup>70</sup> Emisję hałasu do otoczenia zmierzono jako moc akustyczną (L<sub>WA</sub>), zgodnie z dyrektywą Rady 2000/14/WE.

<sup>71</sup> Odnotowane dane dla ciśnienia akustycznego mają typowe rozproszenie statystyczne (odchylenie standardowe) w wysokości 1,2 dB (A).

<sup>72</sup> Odnotowane dane dla poziomu wibracji mają typowe rozproszenie statystyczne (odchylenie standardowe) w wysokości 0,2 m/s<sup>2</sup>. Norma dotycząca drgań EN 1032+A1:2009.

# Deklaracja zgodności

## Deklaracja zgodności UE

Firma **Husqvarna AB**, SE-561 82 Huskvarna,  
Szwecja, tel.: +46-36-146500, deklarujemy z pełną  
odpowiedzialnością, że produkt:

<b>Opis</b>	Maszyna do układania przewodów
<b>Marka</b>	Husqvarna
<b>Typ/model</b>	CL400i
<b>Identyfikacja</b>	Numery seryjne z roku 2022 i nowsze

spełnia wszystkie wymogi określone w odpowiednich  
dyrektywach i przepisach UE:

<b>Przepis</b>	<b>Opis</b>
2006/42/WE	„w sprawie maszyn”
2014/30/UE	„w sprawie kompatybilności elektromagnetycznej”
2011/65/UE	„dotycząca ograniczenia użycia niektórych substancji niebezpiecznych w sprzęcie elektrycznym i elektronicznym”

oraz został zaprojektowany zgodnie z następującymi  
normami i specyfikacjami technicznymi: EN ISO  
12100:2010, EN ISO 14119:2013, EN ISO 14120:2015,  
EN ISO 13857:2019, EN 62841-1:2015+AC:2015, EN  
ISO 11202:2010, EN 1032:2009, EN 55014-1:2017, EN  
55014-2:2015, EN 63000:2018.

Informacje dotyczące emisji hałasu, patrz *Dane  
techniczne na stronie 305*.

Huskvarna, 2022-03-21



Claes Losdal, Szef ds. Rozwoju Produkcji/Produkty  
ogrodowe, Husqvarna AB

Osoba odpowiedzialna za dokumentację techniczną



---

# ÍNDICE

---

Introdução.....	308	Resolução de problemas.....	319
Segurança.....	309	Transporte, armazenamento e eliminação.....	321
Montagem.....	314	Especificações técnicas.....	322
Funcionamento.....	314	Declaração de conformidade.....	324
Manutenção.....	317		

---

## Introdução

---

### Descrição do produto

Produto de colocação do cabo de controlo apeado.

### Vista geral do produto

(Fig. 1)

1. Manípulo de funcionamento da broca
2. Manípulo de inclinação da barra de direção
3. Manípulo de direção
4. Contador
5. Enrolador do cabo
6. Aleta de alimentação
7. Broca
8. Painel de controlo
9. Chave de segurança
10. Bateria (acessório)
11. Carregador da bateria (acessório)
12. Manual do utilizador

### Símbolos no produto

(Fig. 2) ATENÇÃO

(Fig. 3) Aviso: Peças rotativas. Mantenha as mãos e os pés afastados.

(Fig. 4) Tenha cuidado com objetos projetados e ricochetes.

(Fig. 5) Leia as instruções.

(Fig. 6) Mantenha as pessoas e os animais a uma distância de segurança da área de trabalho.

(Fig. 7) Risco de lesão ocular em terceiros.

(Fig. 8) Não exponha à chuva.

(Fig. 9) Utilize uma viseira de proteção.

(Fig. 10) Modo de espera (botão preto).

### Finalidade

Utilize o produto para colocar no solo cabo delimitador e cabo de guia para robôs corta-relva. Não utilize o produto para outras tarefas.

(Fig. 10) Arranque e paragem do motor (botão vermelho).

(Fig. 11) O produto ou a respetiva embalagem não são resíduos domésticos. Recicle o equipamento numa estação de reciclagem para equipamentos elétricos e eletrónicos.

(Fig. 12) O produto está em conformidade com as diretivas CE aplicáveis.

(Fig. 13) Este produto está em conformidade com os regulamentos aplicáveis do Reino Unido.

(Fig. 14) Emissão de ruído para a etiqueta ambiental de acordo com as diretivas e regulamentos da União Europeia e do Reino Unido e o regulamento "Protection of the Environment Operations (Noise Control) Regulation 2017" (regulamento de proteção de operações no meio ambiente [controlo do ruído] de 2017) da Nova Gales do Sul. O nível de potência sonora garantido do produto está especificado nas *Especificações técnicas na página 322* e na etiqueta.

(Fig. 15) O produto está protegido contra gotejamento.

---

**Nota:** Os restantes símbolos/autocolantes existentes no produto dizem respeito às exigências de homologação de alguns países.

---

## Danos no produto

Não somos responsáveis por danos no nosso produto se:

- o produto tiver sido incorretamente reparado.
- o produto tiver sido reparado com peças que não sejam do fabricante ou que não sejam aprovadas pelo fabricante.

---

## Segurança

---

### Definições de segurança

Os avisos, as precauções e as notas são utilizados para indicar partes especialmente importantes do manual.



**ATENÇÃO:** Utilizado no caso de existir risco de ferimento ou morte para o utilizador ou transeuntes, se não forem respeitadas as instruções do manual.



**CUIDADO:** Utilizado se existir risco de danos para o produto, para outros materiais ou para a área adjacente, se não forem respeitadas as instruções do manual.

**Nota:** Utilizado para disponibilizar informações adicionais necessárias numa determinada situação.

### Avisos gerais de segurança do produto



**ATENÇÃO:** Leia todos os avisos de segurança, as instruções, as ilustrações e as especificações fornecidos com este produto. O incumprimento das instruções indicadas abaixo poderá resultar em choques elétricos, incêndios e/ou ferimentos graves.

Guarde todos os avisos e instruções para referência futura. O termo "produto" nos avisos refere-se a produtos (com fios) ligados à corrente elétrica ou a produtos (sem fios) de funcionamento a bateria.

### Segurança no local de trabalho

- **Mantenha a área de trabalho limpa e bem iluminada.** Áreas desarrumadas ou escuras convidam ao acidente.
- **Não utilize o produto em ambientes explosivos, tal como na presença de poeiras, gases ou líquidos inflamáveis.** O produto cria faíscas que podem inflamar poeiras ou gases.
- **Mantenha as crianças e restantes pessoas afastadas enquanto opera o produto.** As distrações podem fazê-lo perder o controlo.

- o produto tiver um acessório que não seja do fabricante ou que não seja aprovado pelo fabricante.
- o produto não tiver sido reparado por um centro de assistência autorizado ou por uma autoridade aprovada.

### Segurança no manejo de eletricidade

- **As fichas dos produtos têm de corresponder à tomada. Nunca modifique a ficha de qualquer forma. Não utilize quaisquer fichas adaptadoras com produtos ligados à terra.** As fichas inalteradas e as tomadas correspondentes reduzem o risco de choque elétrico.
- **Evite o contacto corporal com superfícies ligadas à terra, tais como tubos, radiadores, fogões e frigoríficos.** Existe um risco acrescido de choque elétrico se o seu corpo estiver em contacto com a terra.
- **Não exponha os produtos à chuva ou a condições de humidade.** A entrada de água num produto aumenta o risco de choque elétrico.
- **Não danifique o fio elétrico. Nunca utilize o cabo elétrico para transportar, puxar ou desligar o produto. Mantenha o cabo elétrico afastado de fontes de calor, óleo, arestas afiadas ou de peças em movimento.** Os fios elétricos danificados ou emaranhados aumentam o risco de choque elétrico.
- **Ao utilizar um produto no exterior, utilize uma extensão elétrica adequada para utilização em exteriores.** A utilização de um cabo elétrico adequado para utilização no exterior reduz o risco de choque elétrico.
- **Se não puder evitar utilizar um produto num local húmido, utilize uma fonte de alimentação com corta-circuito com um dispositivo diferencial residual (DDR).** A utilização de um RCD reduz o risco de choque elétrico.

### Segurança pessoal

- **Mantenha-se em alerta, tenha atenção ao que está a fazer e use o bom senso ao utilizar um produto. Não utilize um produto se estiver cansado ou sob a influência de drogas, álcool ou medicação.** Um momento de desatenção ao utilizar os produtos pode resultar em lesões pessoais graves.
- **Use equipamento de proteção pessoal. Use sempre proteção ocular.** A utilização de equipamento de proteção como máscara antipoeira, calçado de segurança antiderrapante, capacete ou protetores acústicos nas condições apropriadas irá reduzir os ferimentos pessoais.
- **Prevenção de arranque não intencional. Certifique-se de que o interruptor se encontra desligado antes**

**de ligar o produto à fonte de alimentação e/ou à bateria, ou de o pegar ou transportar.** Transportar os produtos com o dedo no interruptor ou ligar os produtos à corrente elétrica com o interruptor ligado é um convite aos acidentes.

- **Remova qualquer chave de ajuste ou chave de porcas antes de ligar o produto.** Uma chave de porcas ou uma chave ligada a uma peça em rotação do produto pode resultar em lesões pessoais.
- **Não se debruce. Mantenha o equilíbrio e os pés sempre bem assentes.** Isto permite um melhor controlo do produto em situações inesperadas.
- **Vista-se adequadamente. Não use peças de roupa soltas ou jóias. Mantenha o cabelo e roupas longe de quaisquer peças em movimento.** Roupas soltas, jóias ou cabelo comprido podem ser apanhados nas peças em movimento.
- **Se forem fornecidos dispositivos para a ligação de equipamentos de extração e de recolha de poeiras, assegure-se de que estes estão ligados e são utilizados corretamente.** A utilização da recolha de poeiras pode reduzir os riscos relacionados com poeiras.
- **Siga sempre os princípios de segurança dos produtos, mesmo que já esteja familiarizado com os mesmos devido a utilização frequente.** Uma ação descuidada pode provocar ferimentos graves numa fração de segundo.

## Utilização e tratamento do produto

- **Não force o produto. Utilize o produto adequado para a sua aplicação.** O produto adequado proporcionará melhores resultados e permitirá uma utilização em segurança para os fins a que se destina.
- **Não utilize o produto se o interruptor não ligar ou desligar.** Qualquer produto que não possa ser controlado com o interruptor é perigoso e tem de ser reparado.
- **Desligue a ficha da fonte de alimentação elétrica e/ou retire a bateria, se amovível, do produto antes de efetuar quaisquer ajustes, mudar acessórios ou guardar os produtos.** Estas medidas de prevenção reduzem o risco de ligar o produto acidentalmente.
- **Guarde os produtos que não estão a ser utilizados fora do alcance das crianças e não permita que qualquer pessoa não familiarizada com o produto ou com estas instruções utilize o produto.** Os produtos são perigosos nas mãos de utilizadores inexperientes.
- **Efetue a manutenção dos produtos e dos acessórios. Verifique a existência de bloqueios ou de falhas no alinhamento das peças móveis, danos nas peças e qualquer outra condição que possa afetar o funcionamento do produto. Se estiver danificado, repare o produto antes de o utilizar.** Muitos acidentes são causados por produtos com uma manutenção inadequada.
- **Mantenha as ferramentas de corte afiadas e limpas.** Ferramentas de corte com as zonas de corte afiadas

e bem mantidas têm menos probabilidades de bloquear e são mais fáceis de controlar.

- **Use o produto, acessórios e brocas, etc. de acordo com estas instruções, tomando em consideração as condições de funcionamento e o trabalho a ser executado.** A utilização do produto para operações diferentes das previstas pode resultar numa situação perigosa.
- **Mantenha os punhos e as superfícies onde se segura secos, limpos e sem óleo nem massa lubrificante.** As superfícies onde se segura e os punhos escorregadios não permitem um controlo e um manuseamento seguros do produto em situações inesperadas.

## Assistência

- **Garanta que a manutenção do seu produto é efetuada por um técnico de reparações qualificado e que utilize apenas peças de substituição idênticas.** Desta forma, garante a manutenção da segurança do produto.
- **Nunca deve efetuar a manutenção de baterias danificadas.** A manutenção das baterias deve ser efetuada apenas pelo fabricante ou por prestadores de serviços autorizados.

## Utilização e manutenção da bateria

- **Recarregue a bateria apenas com o carregador especificado pelo fabricante.** Um carregador adequado para um tipo de bateria pode criar risco de incêndio quando usado com outra bateria.
- **Utilize produtos apenas com as baterias especificamente concebidas para os mesmos.** A utilização de quaisquer outras baterias pode criar risco de ferimentos e incêndio.
- **Quando a bateria não está a ser utilizada, mantenha-a afastada de outros objetos metálicos, como clips, moedas, chaves, pregos, parafusos ou outros objetos metálicos pequenos que possam fazer a ligação entre os dois terminais.** Provocar curto-circuitos nos terminais das baterias pode provocar queimaduras ou um incêndio.
- **Em condições extremas, é possível que o líquido da bateria verta; evite o contacto. Se ocorrer algum contacto accidental, lave com água. Se o líquido entrar em contacto com os olhos, procure assistência médica adicional.** O líquido vertido da bateria pode provocar irritações ou queimaduras.
- **Não utilize uma bateria ou uma ferramenta que se encontre danificada ou modificada.** As baterias danificadas ou modificadas podem apresentar um comportamento imprevisível que pode resultar em incêndios, explosões ou ferimentos graves.
- **Não exponha uma bateria ou uma ferramenta a fogo ou temperaturas excessivas.** A exposição a incêndios ou a temperaturas acima de 130 °C/265 °F pode provocar uma explosão.
- **Siga todas as instruções de carregamento e não carregue a bateria ou a ferramenta fora do intervalo de temperatura especificado nas instruções.** Os

carregamentos impróprios ou a temperaturas fora do intervalo especificado podem danificar a bateria e aumentar o risco de incêndio.

## Instruções de segurança gerais



**ATENÇÃO:** Leia as instruções de aviso que se seguem antes de utilizar o produto.

- Este produto é perigoso se for utilizado de forma incorreta ou se não o utilizador for cuidadoso. Podem ocorrer ferimentos graves ou mesmo morte se as instruções de segurança não forem respeitadas.
- Este produto produz um campo eletromagnético durante o funcionamento. Em determinadas circunstâncias, este campo pode interferir com o funcionamento de implantes médicos ativos ou passivos. Para diminuir o risco de ferimentos graves ou mortais, recomendamos que os portadores de implantes médicos consultem o seu médico e o fabricante do implante antes de utilizar este produto.
- Seja sempre cuidadoso e use o seu senso comum. Se não tiver a certeza sobre como utilizar o produto numa situação especial, pare e fale com o seu distribuidor Husqvarna antes de continuar.
- Tenha em atenção que o utilizador é responsável pelos acidentes que incluem outras pessoas ou a respetiva propriedade.
- Mantenha o produto limpo. Certifique-se de que pode ler claramente os sinais e os autocolantes.
- Não permita a utilização do equipamento por crianças ou pessoas não familiarizadas com estas instruções. As normas locais podem restringir a idade do utilizador.
- Monitorize sempre a utilização do produto por pessoas com diminuição da capacidade física ou mental. Tem de estar sempre presente um adulto responsável.
- Não utilize o produto se estiver cansado, doente ou sob a influência de álcool, drogas ou medicamentos. Estes têm um efeito negativo na sua visão, atenção, capacidade de discernimento ou controlo físico.
- Não utilize o produto se este estiver danificado ou não funcionar corretamente.
- Não altere este produto e não o utilize se houver a possibilidade de ter sido alterado por outros.

## Segurança do trabalho



**ATENÇÃO:** Leia as instruções de aviso que se seguem antes de utilizar o produto.

- Utilize o produto para colocar no solo cabo delimitador e cabo de guia para robôs corta-relva. Não utilize o produto para outras tarefas.
- Use equipamento de proteção pessoal. Consulte *Equipamento de proteção pessoal na página 312*.

- Certifique-se de que sabe como desligar o motor rapidamente em caso de emergência.
- Não utilize o produto em condições de chuva ou de humidade. O risco de choque elétrico aumenta se entrar água no produto.
- Não utilize o produto, a menos que a broca e todas as coberturas estejam corretamente montadas. Uma broca montada incorretamente pode soltar-se e causar ferimentos.
- Retire objetos como ramos, galhos e pedras da área de trabalho antes de utilizar o produto.
- Os objetos que embatam no equipamento de colocação do cabo podem ser projetados e causar danos a pessoas e objetos. Mantenha terceiros e animais a uma distância de segurança do produto.
- Nunca utilize o produto em más condições meteorológicas, como nevoeiro, chuva, ventos fortes, frio intenso e risco de trovoadas. A utilização do produto em más condições meteorológicas ou em localizações molhadas ou com humidade é cansativa. As más condições meteorológicas podem causar condições perigosas, como superfícies escorregadias.
- Observe se há pessoas, objetos e situações que possam impedir o funcionamento seguro do produto.
- Observe se há obstáculos como raízes, pedras, ramos, buracos e valas. A relva longa pode ocultar obstáculos.
- Não utilize o produto em terrenos com um declive superior a 15°.
- Tenha muito cuidado ao mudar de direção em declives. Utilize o produto ao longo da face dos declives. Não se desloque para cima e para baixo.
- Tenha cuidado ao aproximar-se de esquinas com pouca visibilidade e de objetos que possam impedir uma boa visibilidade.
- Certifique-se de que a broca não atinge objetos como pedras e raízes. Isto pode danificar a broca e dobrar o eixo do motor. Um eixo do motor dobrado provoca fortes vibrações e um elevado risco de a broca se soltar.
- Se a broca atingir um objeto ou ocorrerem vibrações, pare o produto imediatamente. Desligue o motor, puxe a chave de segurança para cima e retire a bateria. Aguarde até que as peças móveis parem. Examine se o produto apresenta sinais de danos. Aperte peças soltas. Repare os danos e substitua as peças danificadas. Solicite a realização da reparação numa oficina autorizada.
- Não ligue permanentemente o manípulo de funcionamento da broca ao punho durante o arranque do motor.
- Coloque o produto numa superfície estável e plana e ligue-o.
- Mantenha-se sempre por trás do produto quando o operar.
- Mantenha todas as rodas no chão e as duas mãos sobre o punho quando utilizar o produto.

- Mantenha as mãos e os pés afastados da broca rotativa.
- Não incline o produto quando ligar o motor ou durante o funcionamento do produto.
- Tenha cuidado quando puxar o produto para trás.
- Não eleve o produto quando ligar o motor. Se tiver de levantar o produto, desligue primeiro o motor, puxe a chave de segurança e retire a bateria.
- Não caminhe para trás quando operar o produto.
- Solte o manípulo de funcionamento da broca para parar a broca quando for necessário inclinar o produto para transporte.
- Não corra com o produto quando o motor está ligado. Caminhe sempre que operar o produto.
- Pare o motor antes de mudar a profundidade de colocação do cabo. Não efetue ajustes com o motor ligado.
- Não deixe o produto fora de vista com o motor ligado. Pare o motor e certifique-se de que a broca não roda.
- As vibrações no produto durante o funcionamento podem ser diferentes do valor de vibração declarado em *Especificações técnicas na página 322*. A diferença é causada por variações na forma como o produto é utilizado. Se utilizar o produto com frequência ou durante longos períodos de tempo, faça pausas regularmente para evitar ferimentos provocados por vibrações.
- Use botas ou sapatos antiderrapantes resistentes. Não use calçado aberto nem ande com os pés descalços.
- Use calças compridas e resistentes.
- Utilize luvas de proteção sempre que necessário, por exemplo, ao fixar, examinar ou limpar o equipamento de colocação do cabo.
- Recomendamos a utilização de protetores acústicos.

## Dispositivos de segurança no produto



**ATENÇÃO:** Leia as instruções de aviso que se seguem antes de utilizar o produto.

- Não utilize um produto com dispositivos de segurança danificados ou que não funcionem corretamente.
- Não remova os dispositivos de segurança, nem os modifique.
- Verifique regularmente os dispositivos de segurança. Se os dispositivos de segurança estiverem danificados ou não funcionarem corretamente, contacte a sua oficina autorizada Husqvarna.

## Chave de segurança

A chave de segurança encontra-se por baixo da tampa da bateria. A chave de segurança liga a bateria que alimenta o motor.

## Verificar a chave de segurança

A chave de segurança liga a bateria que alimenta o motor.

- Ligue e desligue o motor. Se a chave de segurança funcionar corretamente, o motor só arranca quando a chave se encontra no bloqueio de segurança.

## Manípulo de funcionamento da broca

O manípulo de funcionamento da broca para a broca. Quando o manípulo de funcionamento da broca é libertado, a broca para.

Para verificar o manípulo de funcionamento da broca, ligue o motor e, em seguida, solte manípulo de funcionamento da broca. Se a broca não parar em 3 segundos, contacte uma oficina Husqvarna aprovada.

(Fig. 17)

## Segurança da bateria



**ATENÇÃO:** Leia as instruções de aviso que se seguem antes de utilizar o produto.

- Utilize baterias recarregáveis Husqvarna como fonte de alimentação apenas para produtos Husqvarna relacionados. Para evitar ferimentos, não utilize a bateria como fonte de alimentação para outros produtos.

## Instruções de segurança para funcionamento

Leia as instruções que se seguem antes de utilizar o produto.

- Certifique-se de que o cabo no guia de cabos está intacto.
- Certifique-se de que o tubo na aleta de alimentação está intacto. Substitua o tubo se estiver gasto ou danificado.

(Fig. 16)

- Certifique-se de que a extremidade em torno do orifício não está afiada ou danificada. Substitua o guia de cabos, caso esteja danificado.
- Certifique-se de que todos os parafusos estão apertados.
- Certifique-se de que todas as alavancas estão na posição de ponto-morto.

## Equipamento de proteção pessoal



**ATENÇÃO:** Leia as instruções de aviso que se seguem antes de utilizar o produto.

- O equipamento de proteção pessoal não previne totalmente os ferimentos mas diminui a respetiva gravidade em caso de acidente. Obtenha ajuda junto do seu concessionário para selecionar o equipamento certo.



- Não utilize baterias não recarregáveis.
- Risco de choque elétrico. Não ligue os terminais da bateria a chaves, moedas, parafusos ou outros metais. Caso contrário, pode provocar um curto-circuito da bateria.
- Não coloque objetos nas aberturas de ventilação da bateria.
- Mantenha a bateria afastada do sol, calor ou de chamas abertas. A bateria pode explodir e causar queimaduras e/ou queimaduras químicas.
- Mantenha a bateria afastada de chuva e condições de humidade.
- Mantenha a bateria afastada de micro-ondas e alta pressão.
- Não tente desmontar ou partir a bateria.
- Em caso de fuga da bateria, evite o contacto do líquido com a pele ou com os olhos. Em caso de contacto com o líquido, limpe a área com água abundante e procure assistência médica.
- Utilize a bateria do produto apenas quando a temperatura ambiente se encontrar entre os 5 °C e os 40 °C.
- Utilize o carregador de bateria apenas quando a temperatura ambiente se encontrar entre os 5 °C e os 40 °C.
- A bateria não carrega se a respetiva temperatura for superior a 50 °C.
- Não limpe a bateria nem o carregador de bateria com água. Consulte *Limpar a bateria e o carregador de bateria na página 319*.
- Não utilize uma bateria danificada.
- Mantenha as baterias armazenadas afastadas de objetos metálicos como, por exemplo, pregos, moedas, joias.
- Certifique-se regularmente de que o cabo de alimentação do carregador de bateria não está danificado nem apresenta fissuras.
- Não utilize o cabo de alimentação para levantar o carregador de bateria. Para desligar o carregador de bateria de uma tomada elétrica, puxe a ficha. Não puxe o cabo de alimentação.
- Mantenha o cabo de alimentação e os cabos de extensão afastados de água, de óleo e de arestas afiadas. Certifique-se de que o cabo não fica entalado em portas, cercas ou equivalente. Isto pode fazer com que o carregador fique sob tensão.
- Não limpe o carregador de bateria com água.
- O carregador de bateria pode ser utilizado por crianças a partir dos 8 anos de idade e por pessoas com capacidades físicas, sensoriais ou mentais reduzidas, ou falta de experiência e conhecimentos, desde que as mesmas se encontrem sob supervisão ou tenham recebido instruções acerca da utilização segura do carregador da bateria e compreendam os perigos envolvidos. As crianças não devem brincar com o carregador de bateria. As tarefas de limpeza e manutenção a cargo do utilizador não devem ser efetuadas por crianças sem a devida supervisão.
- Não carregue baterias não recarregáveis no carregador de bateria.
- Não utilize o carregador de bateria próximo de materiais inflamáveis ou materiais que possam provocar corrosão. Não cubra o carregador de bateria. Em caso de fumo ou fogo, desligue o carregador de bateria da tomada.
- Não utilize um carregador de bateria danificado.
- Carregue a bateria apenas em espaços interiores com boa ventilação e sem exposição à luz solar. Não carregue a bateria em condições de humidade.

## Segurança do carregador de bateria



**ATENÇÃO:** Leia as instruções de aviso que se seguem antes de utilizar o produto.

- Utilize carregadores de bateria QC para carregar apenas baterias de substituição Husqvarna.
- Risco de choque elétrico ou curto-circuito. Não coloque objetos nas aberturas de ventilação do carregador. Não tente desmontar o carregador de bateria. Não ligue os terminais do carregador a objetos metálicos. Utilize uma tomada de parede aprovada.
- Este produto produz um campo eletromagnético durante o funcionamento. Em determinadas circunstâncias, este campo pode interferir com o funcionamento de implantes médicos ativos ou passivos. Para diminuir o risco de condições que podem causar ferimentos ou morte, recomendamos que os portadores de implantes médicos consultem o seu médico e o fabricante do implante antes de utilizar este produto.

## Instruções de segurança para manutenção



**ATENÇÃO:** Leia as instruções de aviso que se seguem antes de utilizar o produto.

- Retire a chave de segurança antes de efetuar a manutenção do produto.
- Efetue os trabalhos de manutenção corretamente para aumentar a vida útil do produto e reduzir o risco de acidentes. Solicite a realização de reparações profissionais numa oficina autorizada. Para mais informações, contacte a sua oficina autorizada.
- Efetue apenas os trabalhos de manutenção indicados neste manual do operador.
- Utilize luvas resistentes quando tocar no equipamento de colocação do cabo.
- Mantenha o produto limpo para garantir um desempenho melhor e mais seguro.
- Solicite à sua oficina autorizada a inspeção regular do produto e a realização dos ajustes e reparações necessários.

- Substitua as peças danificadas, gastas ou partidas.
- Cumpra as instruções relativas à substituição dos acessórios. Utilize apenas os acessórios do fabricante.
- Quando não estiverem em funcionamento, mantenha o produto, a bateria e carregador da

bateria afastados num local seco, interior e fechado à chave. Certifique-se de que as crianças e as pessoas não autorizadas não conseguem ter acesso ao produto, à bateria ou ao carregador da bateria.

---

## Montagem

---

### Introdução



**ATENÇÃO:** Certifique-se de que lê e compreende o capítulo sobre segurança antes de montar o produto.

### Instalar a broca

1. Coloque a broca (A) no porta-brocas (B) e instale o parafuso comprido (C). (Fig. 18)

**Nota:** É necessária uma chave Allen de 6 mm para instalar a broca.

2. Instale o porta-brocas no eixo (D) com o parafuso curto (E).
3. Aperte os parafusos.

### Instalar o cabo

O produto contém um enrolador de cabo com embraiagem que pode ser removido.

1. Coloque o cabo no enrolador de cabo. Utilize o botão para rodar o enrolador para a direita.

**Nota:** O cabo tem de ser instalado para a direita no enrolador de cabo, para que este desenrole suavemente durante o funcionamento.(Fig. 19)

2. Empurre o cabo para dentro do tubo na aleta de alimentação (A) até que o cabo saia pela parte inferior (B) aproximadamente 5 cm. (Fig. 20)

### Instalar e remover o enrolador de cabo

1. Desaperte o manípulo (A). (Fig. 21)
2. Remova o retentor (B).
3. Remova o enrolador de cabo (C).
4. Instale o enrolador de cabo (D). Utilize o adaptador, caso seja necessário. (Fig. 22)
5. Instale o retentor (E) e prima o botão (F).

---

## Funcionamento

---

### Introdução



**ATENÇÃO:** Antes de utilizar o produto, tem ler e compreender o capítulo sobre segurança.

### Husqvarna Fleet Services™

O Husqvarna Fleet Services™ é uma solução em nuvem que fornece ao operador uma visão geral de todos os produtos que estão ligados. Pode ser instalado um sensor Husqvarna Fleet Services™ neste produto. O sensor Husqvarna Fleet Services™ recolhe dados do produto e permite-lhe ligar-se ao sistema Husqvarna Fleet Services™. O sistema Husqvarna Fleet Services™ comunica dados como o tempo de funcionamento, os intervalos de manutenção e a localização do produto.

Para obter mais informações sobre o Husqvarna Fleet Services™, transfira a aplicação Husqvarna Fleet Services™ ou contacte o seu representante Husqvarna.

### Preparar o sensor (acessório)

1. Utilize a tecla do sensor para abrir a tampa do sensor. (Fig. 23)

2. Remova o sensor.
3. Ligue a bateria ao sensor. A luz LED do sensor acende-se. (Fig. 24)
4. Transfira a aplicação Husqvarna Fleet Services™.
5. Inicie sessão na aplicação Husqvarna Fleet Services™.
6. Efetue uma operação de emparelhamento. Consulte *Efetuar uma operação de emparelhamento entre a aplicação e o produto na página 314*

### Efetuar uma operação de emparelhamento entre a aplicação e o produto

1. Inicie sessão na aplicação Husqvarna Fleet Services™.
2. Selecione o seu produto na aplicação.
3. Digitalize o código que se encontra por trás do sensor com o seu dispositivo móvel para instalar o sensor na aplicação.

**Nota:** Só é necessário efetuar uma operação de emparelhamento entre a aplicação e o produto uma vez.

## Instalar o sensor

1. Certifique-se de que o sensor está ligado à aplicação Husqvarna Fleet Services™. Consulte *Efetuar uma operação de emparelhamento entre a aplicação e o produto na página 314.*
2. Perfure 2 orifícios de acordo com as marcas na ranhura do invólucro. (Fig. 25)

**Nota:** Certifique-se de que os orifícios têm a mesma dimensão dos rebites fornecidos com o sensor.

3. Utilize um alicate para remover os orifícios exteriores da ranhura do sensor. (Fig. 26)
4. Perfure 2 orifícios de acordo com as marcas na ranhura do sensor. (Fig. 27)
5. Alinhe a ranhura do sensor com a ranhura do invólucro. (Fig. 28)
6. Fixe a ranhura do sensor com os rebites.
7. Instale o sensor na ranhura do sensor. Alinhe a marca branca no sensor com a marca na ranhura do sensor. (Fig. 29)
8. Feche a tampa do sensor e bloqueie-a com a chave do sensor. Certifique-se de que a parte superior do "H" de Husqvarna aponta na direção oposta à direção da chave de segurança. (Fig. 30)

## Bateria



**ATENÇÃO:** Antes de utilizar a bateria, tem de ler e compreender o capítulo sobre segurança. Também tem de ler e compreender o manual do operador da bateria e do carregador da bateria.

Mantenha a bateria e o respetivo carregador de bateria a temperaturas ambiente corretas.

	Temperatura ambiente
Utilização da bateria	5 °C - 40 °C
Carregamento da bateria	5 °C - 40 °C

## Estado da bateria

O visor indica a capacidade restante da bateria e a existência de problemas com a mesma. A capacidade da bateria é apresentada durante 5 segundos depois de desligar o produto ou se pressionar o botão indicador da bateria. O símbolo de aviso na bateria acende-se quando ocorre um erro. Consulte o capítulo *Bateria na página 320.*

(Fig. 31)

Luzes LED	Estado da bateria
Todos os LED acesos	Carga completa (75%-100%)
LED 1, LED 2 e LED 3 acesos	A bateria tem uma carga de 50%-75%
LED 1 e LED 2 acesos	A bateria tem uma carga de 25%-50%
LED 1 aceso	A bateria tem uma carga de 0%-25%.
LED 1 intermitente	A bateria está descarregada. Carregue a bateria.

## Carregar a bateria

Carregue a bateria antes da primeira utilização. A bateria tem apenas 30% de carga quando é entregue ao cliente.

**Nota:** O carregador da bateria tem de ser ligado à tensão e à frequência especificadas na etiqueta de tipo.

A bateria não carrega se a sua temperatura for superior a 50 °C. O carregador da bateria diminui a temperatura da bateria antes de começar a carregar.

1. Ligue uma extremidade do cabo de alimentação do carregador da bateria à tomada do carregador da bateria.
2. Ligue a outra extremidade do cabo de alimentação do carregador da bateria a uma tomada elétrica com ligação à terra. O LED do carregador da bateria pisca a verde uma vez. (Fig. 32)
3. Coloque a bateria no carregador da bateria. A luz verde do carregador acende-se se a bateria estiver corretamente ligada ao carregador da bateria. (Fig. 33)
4. A bateria está totalmente carregada quando todos os LED se acenderem. Carregue a bateria no máximo durante 24 horas.
5. Para desligar o carregador da bateria da tomada, retire a ficha e não o cabo de alimentação.
6. Retire a bateria do carregador da bateria.

## Estado de carregamento da bateria

Uma bateria de íões de lítio Husqvarna pode ser carregada ou utilizada em todos os níveis de carga. A bateria não fica danificada. Uma bateria completamente carregada não perde a sua carga mesmo que seja deixada no carregador.

Ecrã LED	Estado de carga
LED 1 intermitente	0%-25%
LED 1 aceso, LED 2 intermitente	25%-50%

Ecrã LED	Estado de carga
LED 1 e LED 2 acesos, LED 3 intermitente	50%-75%
LED 1, LED 2 e LED 3 acesos, LED 4 intermitente	75%-100%
LED 1, LED 2, LED 3 e LED 4 acesos	Totalmente carregada

- Solte o manípulo de controlo da direção para desengatar a transmissão das rodas.

## Ajustar a profundidade da colocação do cabo

1. Desaperte o manípulo (A). (Fig. 38)
2. Ajuste a roda de suporte (B) para a profundidade necessária de colocação do cabo e aperte o botão.

**Nota:** Os números (C) na parte lateral do tubo da roda de suporte apresentam a profundidade de colocação do cabo em cm. A profundidade de colocação do cabo pode ser ajustada entre 1 e 6 cm.

## Antes de utilizar o produto

1. Regue o solo no dia anterior à utilização durante o verão ou se o solo estiver seco.
2. Certifique-se de que as pessoas e os animais estão a, pelo menos, 20 m de distância do produto.
3. Coloque o cabo no enrolador de cabo. Consulte *Instalar o cabo na página 314*.
4. Ajuste a profundidade da colocação do cabo. Consulte *Ajustar a profundidade da colocação do cabo na página 316*.
5. Fixe a extremidade do cabo a uma estaca.

## Arrancar o produto

1. Incline a barra de direção para o lado. Consulte *Inclinar a barra de direção na página 316*.
2. Abra a tampa da bateria.
3. Coloque uma bateria carregada na ranhura da bateria com o número 1 por baixo da tampa da bateria. Para prolongar o tempo de funcionamento, coloque uma segunda bateria carregada na ranhura da bateria com o número 2.
4. Desligue a chave de segurança do respetivo suporte.
5. Empurre a chave de segurança para o bloqueio de segurança. (Fig. 34)
6. Mantenha-se atrás do produto.
7. Prima o botão do modo de espera (A) no painel de controlo. A luz do modo de espera (B) acende-se. (Fig. 35)
8. Prima o botão START/STOP (C) até que este permaneça premido. O motor arranca.



**CUIDADO:** Não utilize o produto se a luz de aviso (D) piscar a vermelho.

9. Empurre o manípulo de funcionamento da broca no sentido da barra de direção para acionar a broca. (Fig. 36)

## Para utilizar a tração das rodas

- Puxe o manípulo de controlo da direção (A) no sentido da barra de direção para engatar a transmissão nas rodas. (Fig. 37)

## Ajustar a altura da barra de direção

A altura da barra de direção pode ser ajustada em 5 posições.

1. Rode o punho (A) para a esquerda para o desapertar e remova o botão (B). (Fig. 39)
2. Ajuste a altura da barra de direção e instale o botão no orifício da posição mais próxima.
3. Rode o punho para a direita para o apertar.

## Inclinar a barra de direção

Podem inclinar a barra de direção para evitar ser atingido por obstáculos quando utilizar o produto. A barra de direção pode ser inclinada em 4 posições no lado direito e em 4 posições no lado esquerdo.

1. Puxe totalmente o manípulo de inclinação da barra de direção (A) no sentido da barra de direção e segure-o nessa posição. O manípulo de inclinação da barra de direção encontra-se no lado inferior esquerdo da barra de direção. (Fig. 40)
2. Incline a barra de direção para uma das 4 posições para o lado esquerdo ou direito e solte o manípulo de inclinação da barra de direção. Certifique-se de que o pino que bloqueia a posição da barra de direção se encontra numa das ranhuras. (Fig. 41)

## Bloquear a funcionalidade de rotação da aleta de alimentação

Para aumentar a precisão da direção quando coloca o cabo em secções longas e retas, pode bloquear a funcionalidade de rotação da aleta de alimentação.

- Certifique-se de que a aleta de alimentação se encontra na mesma direção que a do produto e aperte o punho (A). (Fig. 42)

## Ajustar o guia de cabos

O produto está ajustado para cabos de 4 mm. Se o cabo tiver um diâmetro maior, o guia de cabos tem de ser ajustado.

1. Desaperte os 2 parafusos. (Fig. 43)

- Desloque o guia de cabos alguns milímetros para cima.
- Aperte os 2 parafusos.

## Ajustar a largura da calha

A posição das rodas pode ser ajustada para diferentes larguras da calha. Existem 4 orifícios de ajuste no eixo do lado esquerdo e 4 orifícios de ajuste no eixo do lado direito. A largura da calha pode ser ajustada para 250, 270, 290 ou 310 mm a partir do centro da broca. (Fig. 44)

- Puxe o pino para fora (A).
- Ajuste as rodas para a largura da calha necessária.
- Coloque o pino num dos 4 orifícios (B) no eixo.
- Bloqueie a mola de segurança.

## Começar a trabalhar

Após a instalação do cabo e da broca, o utilizador tem de fixar o cabo ao solo.

- Coloque uma estaca no solo.
- Prenda à estaca a parte do cabo que sai da parte inferior do guia de cabos.

## Utilizar o guia de 2 cabos

Se o produto se afastar do perímetro exterior da área de trabalho, é necessário colocar 2 cabos em simultâneo.

- Passe 1 cabo ao longo de todo o perímetro. Consulte as figuras (A) e (B). (Fig. 45) (Fig. 46)
- Quando estiver no ponto indicado na figura (C), coloque a roda de apoio na posição mais elevada para remover a aleta de alimentação do solo. Fixe o cabo com uma estaca e continue com o cabo acima do solo até se encontrar no ponto seguinte. (Fig. 47)
- Fixe o cabo com uma estaca no ponto indicado na figura (D). (Fig. 48)

- Coloque a aleta de alimentação na profundidade correta de colocação do cabo e continue a orientar o cabo para criar a ilha. Consulte a figura (E). (Fig. 49)
- Quando alcançar o ponto indicado na figura (F), remova a estaca e limpe a aleta de alimentação. Consulte *Limpar a aleta de alimentação na página 318*. (Fig. 50)
- Monte o cabo acima do solo no guia de cabos. (Fig. 51)
- Passes os 2 cabos em simultâneo até ao ponto indicado na figura (G). Prenda os 2 cabos numa estaca e solte o segundo cabo do guia de cabos. (Fig. 52)
- Continue a orientar o cabo delimitador até ao ponto indicado na figura (H). (Fig. 53)

## Desligar o produto

O produto para automaticamente se não o utilizar durante 3 minutos.

- Solte o manípulo de direção (A) para desengatar a transmissão das rodas. (Fig. 37)
- Solte o manípulo de funcionamento da broca para parar a broca. (Fig. 17)
- Prima o botão START/STOP no painel de controlo.
- Prima o botão do modo de espera no painel de controlo.
- Abra a tampa da bateria.
- Retire a chave de segurança do bloqueio de segurança e coloque-a no suporte da chave de segurança.
- Utilize o raspador para limpar a aleta de alimentação. Consulte *Limpar a aleta de alimentação na página 318*.
- Limpe e lubrifique o porta-brocas após cada utilização. Consulte *Limpar e lubrificar o porta-brocas na página 318*.

# Manutenção

## Introdução



**ATENÇÃO:** Antes de efetuar a manutenção, tem de ler e compreender o capítulo sobre segurança.

É necessário ter formação especial para realizar qualquer tarefa de manutenção ou reparação. Garantimos a disponibilidade de reparações e manutenção profissionais.

Para obter informações mais detalhadas, consulte [www.husqvarna.com](http://www.husqvarna.com).

## Esquema de manutenção

Os intervalos de manutenção são calculados a partir da utilização diária do produto. Os intervalos são alterados se o produto não for utilizado diariamente.

Relativamente às tarefas de manutenção identificadas com \*, consulte *Dispositivos de segurança no produto na página 312*.

	A cada utilização	Mensalmente	A cada estação
Efetuar uma inspeção geral.	X		

	A cada utilização	Mensalmente	A cada estação
Certifique-se de que os dispositivos de segurança do produto não estão danificados *.	X		
Examinar a broca e a aleta de alimentação.	X		
Verificar o manípulo de funcionamento da broca *.	X		
Certificar-se de que o botão de START/STOP funciona corretamente e não está danificado.	X		
Examinar se a bateria apresenta sinais de danos.	X		
Verificar a carga da bateria.	X		
Certifique-se de que os botões de desengate da bateria funcionam corretamente e que a bateria encaixa no produto.	X		
Limpar as admissões de ar do motor. Certificar-se de que não existe relva ou sujidade nas admissões de ar.	X		
Lubrificar as peças não pintadas.	X		
Lubrificar as peças em que o revestimento de zinco se tenha desgastado.	X		
Limpar e lubrificar o porta-brocas.	X		
Limpar a aleta de alimentação.	X		
Verificar a existência de danos no carregador da bateria e certificar-se de que funciona corretamente.		X	
Verificar as ligações entre a bateria e o produto. Verificar também a ligação entre a bateria e o carregador da bateria.			X

## Limpar a aleta de alimentação

- Utilize o raspador para remover materiais do solo e limpar a aleta de alimentação. (Fig. 54)

## Substituir a aleta de alimentação

- Incline o produto para a frente e coloque-o lentamente no solo.
- Remova os 2 parafusos (A) e a aleta de alimentação (B). (Fig. 55)
- Instale a nova aleta de alimentação na sequência inversa.

## Substituir a broca

- Remova a relva e a sujidade do produto.



**CUIDADO:** Certifique-se de que a broca não entra em contacto com sujidade ou outros materiais indesejados durante o processo de instalação.

**Nota:** Limpe e lubrifique o alojamento da broca após cada trabalho.

- Remova o parafuso curto (A) e o porta-brocas (B) do eixo (C). (Fig. 56)

**Nota:** É necessária uma chave Allen de 6 mm para substituir a broca.

- Retire o parafuso comprido (D) e a broca (E) do porta-brocas.
- Coloque uma broca nova no porta-brocas e instale o parafuso comprido.
- Instale o porta-brocas no eixo.
- Aperte os parafusos.

## Limpar e lubrificar o porta-brocas

Limpe totalmente o porta-brocas após cada utilização.

- Incline o produto para a frente e coloque-o lentamente no solo.
- Remova relva, sujidade e materiais indesejados com uma escova macia.
- Utilize ar comprimido para remover partículas mais pequenas de relva e sujidade.
- Remova os parafusos (A) do porta-brocas (B) e remova a broca (C). (Fig. 56)

5. Desaperte os 2 parafusos (D) e remova a aleta de alimentação (E). (Fig. 57)
6. Remova o parafuso (F) e o porta-brocas (G) do eixo (H). (Fig. 58)
7. Utilize ar comprimido para limpar o produto. Certifique-se de que remove toda a sujidade, relva e outros materiais indesejados.
8. Se necessário, remova a massa lubrificante suja com um solvente adequado.
9. Limpe todos os componentes com um solvente adequado e lubrifique-os.
10. Aplique massa lubrificante impermeável no eixo. (Fig. 59)



**ATENÇÃO:** Não utilize substâncias químicas para limpar a bateria.

- Certifique-se de que a bateria e o carregador de bateria estão limpos e secos antes de colocar a bateria no carregador de bateria.
- Limpe os terminais da bateria com ar comprimido ou com um pano macio e seco.
- Limpe as superfícies da bateria e o carregador de bateria com um pano macio e seco.

## Limpar a bateria e o carregador de bateria



**ATENÇÃO:** Não limpe a bateria nem o carregador de bateria com água.

## Resolução de problemas

### Resolução de problemas

Se não encontrar uma solução para os seus problemas neste manual, contacte uma oficina autorizada Husqvarna.

Problema	Causa
O motor não arranca.	A bateria não está carregada.
	A bateria não está instalada corretamente.
	A bateria está avariada.
	O painel de controlo apresenta defeito.
A broca não roda.	A correia está desgastada.
	A correia saiu das polias.
	A alavanca não aplica tensão suficiente sobre a correia.
A broca continua a rodar quando o manípulo de funcionamento da broca é libertado.	O cabo do manípulo de funcionamento da broca está gasto ou danificado.
O produto não funciona corretamente.	A broca está gasta ou danificada.
	A broca não está instalada corretamente.
O produto não se move quando o manípulo de direção está engatado.	O cabo do manípulo de direção está gasto ou danificado.
	As correias da transmissão estão gastas.
	A corrente está partida ou não apresenta tensão suficiente.
	Os discos da embraiagem no alojamento da transmissão estão gastos.

Problema	Causa
Não é possível remover o porta-brocas.	Existe material indesejado na unidade.
	Existe óxido no sistema.
O isolamento do cabo colocado no solo está danificado.	O orifício de saída do cabo na aleta de alimentação está danificado.
	O tubo que contém o cabo e que faz parte da aleta de alimentação está sujo.

## Bateria

LED na bateria	Causa	Solução
LED verde intermitente.	A tensão da bateria é baixa.	Carregue a bateria. Consulte <i>Carregar a bateria na página 315</i> .
LED de erro intermitente.	A bateria está fraca.	Carregue a bateria. Consulte <i>Bateria na página 320</i> .
	A temperatura no ambiente de trabalho é demasiado elevada ou demasiado baixa.	Utilize a bateria a temperaturas entre -10 °C e 40 °C.
	Sobretensão.	Certifique-se de que a tensão da rede elétrica corresponde à indicada na etiqueta de tipo no produto. Retire a bateria do carregador da bateria. Aguarde 5 segundos e tente carregar a bateria novamente. Se o problema persistir, contacte uma oficina autorizada.
LED de erro aceso.	A diferença entre as células é demasiado elevada (1 V).	Contacte uma oficina autorizada.

## Carregador da bateria

LED no carregador da bateria	Causa	Solução
LED de erro intermitente.	A temperatura no ambiente de trabalho é demasiado elevada ou demasiado baixa.	Utilize o carregador da bateria em ambientes com temperaturas entre 5 °C e 40 °C.
LED de erro aceso.		Contacte uma oficina autorizada.



## Painel de controlo

Código de erro (número de intermitências)	Avarias possíveis	Procedimento possível
5	A velocidade do motor desce demasiado e o motor para.	Limpe o porta-brocas e diminua a profundidade de colocação do cabo. Consulte <i>Limpar e lubrificar o porta-brocas na página 318</i> e <i>Ajustar a profundidade da colocação do cabo na página 316</i> . Se o erro persistir, contacte a sua oficina autorizada.
8	A bateria está fraca.	Carregue a bateria. Consulte <i>Carregar a bateria na página 315</i> .
9	Bateria com erro ou sem sinal.	Coloque a bateria no produto corretamente e examine o conector da bateria. Se o LED de erro da bateria ficar intermitente, consulte <i>Bateria na página 320</i> .
10	O controlo do motor está demasiado quente.	Desligue o motor e aguarde até arrefecer.
Outros erros	Se ocorrerem outros erros, retire a chave de segurança e a bateria e contacte uma oficina autorizada.	

## Transporte, armazenamento e eliminação

### Introdução



**ATENÇÃO:** Para evitar um arranque não intencional durante o transporte, puxe a chave de segurança, retire a bateria e aguarde, no mínimo, 5 segundos.

### Transporte

- Os requisitos da legislação sobre mercadorias perigosas aplicam-se às baterias de íões de lítio incluídas.
- Para um transporte comercial, é necessário cumprir os requisitos especiais na embalagem e nas etiquetas.
- Quando preparar o produto para transporte, certifique-se de que cumpre os regulamentos sobre mercadorias perigosas. Podem aplicar-se normas locais.
- Retire sempre a bateria para transporte.
- Coloque fita adesiva nos conectores da bateria e certifique-se de que a bateria não pode mover-se durante o transporte.
- Prenda o produto durante o transporte.

### Armazenamento

- Antes do armazenamento, deixe o produto arrefecer.
- Retire sempre a bateria durante o armazenamento.

- Para evitar acidentes, certifique-se de que a bateria não está ligada ao produto durante o armazenamento.
- Armazene o carregador da bateria apenas em espaços interiores secos.
- Armazene a bateria e o carregador da bateria num local seco, sem humidade nem gelo.
- Desligue a bateria do carregador da bateria durante o armazenamento.
- Não armazene a bateria num local onde possa haver eletricidade estática. Não armazene a bateria numa caixa metálica.
- Armazene o produto num local onde a temperatura ambiente se encontre entre -10 °C e 40 °C.
- Armazene a bateria num local onde a temperatura ambiente varie entre 5 °C e 25 °C e onde não fique exposta à luz solar.
- Armazene o carregador de bateria num local onde a temperatura ambiente varie entre 5 °C e 45 °C e onde não fique exposto à luz solar.
- Antes de armazenar a bateria durante longos períodos de tempo, certifique-se de que está carregada a 30-50%.
- Mantenha o produto, a bateria e o carregador de bateria num local fechado à chave, fora do alcance de crianças e de pessoas não autorizadas.
- Limpar o produto.
- Realize os procedimentos de manutenção indicados neste manual do utilizador. Consulte *Esquema de manutenção na página 317*.

- Antes de armazenar o produto durante longos períodos de tempo, efetue uma manutenção completa do mesmo.

## Eliminação

Os símbolos no produto ou na respetiva embalagem indicam que este produto não deve ser tratado como um resíduo doméstico. Tem de ser enviado para uma estação de reciclagem adequada para a recuperação de equipamentos elétricos e eletrónicos.

Ao garantir que este produto é tratado corretamente, pode ajudar a neutralizar o potencial impacto negativo sobre o meio ambiente e as pessoas, que de outra forma pode resultar da gestão incorreta dos resíduos deste produto. Para informações mais detalhadas sobre a reciclagem deste produto, contacte o seu município, o serviço de recolha de resíduos domésticos ou a loja onde adquiriu o produto.

(Fig. 60)

## Especificações técnicas

<b>Motor de perfuração</b>	
Tipo de motor	BLDC (sem escova) 36V
Rotação do motor – nominal, rpm	3000/min
Rotação do motor – carga elevada, rpm	3300/min
Potência do motor – máximo, kW	1,8
Potência do motor – nominal, kW	1,2
Transmissão	Caixa de velocidades mecânica com engrenagens em banho de óleo
Embraiagem	Tipo de correia, com polia
<b>Peso</b>	
Peso sem bateria, kg	39
Peso incluindo 2 BLi300, kg	43
<b>Bateria</b>	
Tipo de bateria	Gama de equipamentos a bateria Husqvarna
<b>Tempo de funcionamento da bateria</b>	
Tempo de funcionamento da bateria, min <sup>73</sup>	38
<b>Emissões de ruído <sup>74</sup></b>	
Nível de potência sonora, medido L <sub>WA</sub> dB(A)	84
Nível de potência sonora, garantido L <sub>WA</sub> dB (A)	86
<b>Níveis sonoros <sup>75</sup></b>	
Nível de pressão sonora ao nível do ouvido do utilizador, dB (A)	66
<b>Níveis de vibração <sup>76</sup></b>	

<sup>73</sup> Funcionamento livre, medido com o modo padrão ativado e 1 bateria Husqvarna de 9,4 Ah (BLi300).

<sup>74</sup> Emissões de ruído para as imediações, medidas sob forma de potência sonora (L<sub>WA</sub>) em conformidade com a diretiva da CE 2000/14/CE.

<sup>75</sup> Os dados comunicados relativamente ao nível de pressão de ruído têm uma dispersão estatística típica (desvio padrão) de 1,2 dB (A).

<sup>76</sup> Os dados comunicados relativamente ao nível de vibração têm uma dispersão estatística típica (desvio padrão) de 0,2 m/s<sup>2</sup>. Norma de vibração EN 1032+A1:2009.

Punho m/s <sup>2</sup>	1,8
<b>Equipamento de colocação do cabo</b>	
Profundidade de colocação do cabo, cm	1-6
Distância entre a broca e a extremidade da roda, mm	250, 270, 290, 310
Broca	597 04 84-01

Baterias aprovadas	Marca	Tipo	Capacidade da bateria, Ah	Tensão, V	Peso, kg
BLi300	Husqvarna	lões de lítio	9,4	36	4,1/1,9

Carregadores aprovados para as baterias especificadas, BLi	Marca	Tensão de entrada, V	Frequência, Hz	Potência, W
QC500	Husqvarna	100-240	50-60	500

# Declaração de conformidade

## Declaração UE de conformidade

A **Husqvarna AB**, SE-561 82 Huskvarna, Suécia,  
tel.: +46-36-146500, declara, sob sua inteira  
responsabilidade, que o produto:

<b>Descrição</b>	Produto de colocação de cabos
<b>Marca</b>	Husqvarna
<b>Tipo/Modelo</b>	CL400i
<b>Identificação</b>	Números de série referentes a 2022 e posteriores

está em plena conformidade com as seguintes diretivas  
e regulamentos da UE:

<b>Regulamento</b>	<b>Descrição</b>
2006/42/CE	"relativa a máquinas"
2014/30/UE	"relativa à compatibilidade eletromagnética"
2011/65/UE	"relativa à restrição do uso de determinadas substâncias perigosas em equipamento elétrico e eletrônico"

e que as seguintes normas e/ou especificações  
técnicas são aplicadas: EN ISO 12100:2010, EN ISO  
14119:2013, EN ISO 14120:2015, EN ISO 13857:2019,  
EN 62841-1:2015+AC:2015, EN ISO 11202:2010, EN  
1032:2009, EN 55014-1:2017, EN 55014-2:2015, EN  
63000:2018.

Para mais informações sobre as emissões de ruído,  
consulte *Especificações técnicas na página 322*.

Huskvarna, 2022-03-21



Claes Losdal, chefe de desenvolvimento/produtos de  
jardinagem, Husqvarna AB

Responsável pela documentação técnica



---

# CUPRINS

---

Introducere.....	325	Depanarea.....	336
Siguranță.....	326	Transportul, depozitarea și eliminarea.....	338
Asamblarea.....	331	Date tehnice.....	339
Funcționarea.....	331	Declarație de conformitate.....	341
Întreținerea.....	334		

---

## Introducere

---

### Descrierea produsului

Produsul este un utilaj de pozat cabluri controlat de un operator-pieton.

### Prezentare generală a produsului

(Fig. 1)

1. Manetă pentru operarea burghiului
2. Manetă de înclinare a mânerului
3. Manetă de transmisie
4. Contor
5. Înfășurător de cablu
6. Aripioară de alimentare
7. Burghiu
8. Panou control
9. Cheie de siguranță
10. Baterie (accesoriu)
11. Încărcător de baterie (accesoriu)
12. Manualul operatorului

### Simbolurile de pe produs

(Fig. 2) AVERTISMENT

(Fig. 3) Avertisment: Piese rotative. Feriți-vă picioarele și mâinile.

(Fig. 4) Feriți-vă de obiectele proiectate sau care ricoșează.

(Fig. 5) Citiți instrucțiunile.

(Fig. 6) Țineți persoanele și animalele la o distanță sigură de zona de lucru.

(Fig. 7) Risc de vătămare oculară a persoanelor aflate în apropiere.

(Fig. 8) Nu expuneți la ploaie.

(Fig. 9) Utilizați o vizieră de protecție.

(Fig. 10) Modul standby (buton negru).

### Domeniu de utilizare

Utilizați produsul pentru a instala în sol cabluri de delimitare și cabluri de ghidare pentru mașinile robotizate de tuns gazonul. Nu utilizați produsul pentru alte sarcini.

(Fig. 10) Porniți și opriți motorul (buton roșu).

(Fig. 11) Nici produsul și nici ambalajul său nu sunt deșeuri menajere. Reciclați la un centru de reciclare pentru echipamente electrice și electronice.

(Fig. 12) Produsul respectă directivele CE aplicabile.

(Fig. 13) Acest produs este în conformitate cu reglementările aplicabile din Regatul Unit.

(Fig. 14) Etichetă privind emisiile de zgomot în mediu, conform directivelor și reglementărilor din UE și Regatul Unit și legislației din New South Wales „Regulamentul privind măsurile de protecție a mediului (controlul zgomotului) din 2017”. Nivelul de putere sonoră garantat al produsului este specificat în *Date tehnice la pagina 339* și pe etichetă.

(Fig. 15) Produsul este protejat de scurgere.

---

**Nota:** Celelalte simboluri/autocolante de pe produs se referă la cerințele de certificare pentru unele piețe.

---

### Deteriorarea produsului

Nu suntem responsabili pentru deteriorarea produsului dacă:

- produsul este reparat necorespunzător.
- produsul este reparat cu piese care nu provin de la producător sau care nu sunt aprobate de acesta.
- produsul are un accesoriu care nu provine de la producător sau care nu este aprobat de acesta.

- produsul nu este reparat la un centru de service omologat sau de o autoritate omologată.

---

## Siguranță

---

### Definiții privind siguranța

Avertismentele, atenționările și notele sunt utilizate pentru a desemna părți foarte importante din manual.



**AVERTISMENT:** Se utilizează dacă există risc de vătămare sau de deces pentru operator sau pentru trecători, în cazul în care instrucțiunile din manual nu sunt respectate.



**ATENȚIE:** Se utilizează dacă există un risc de deteriorare a produsului, a altor materiale sau a zonelor învecinate, dacă instrucțiunile din manual nu sunt respectate.

**Nota:** Se utilizează pentru a furniza mai multe informații care sunt necesare într-o situație dată.

### Avertismente generale privind siguranța produsului



**AVERTISMENT:** Citiți toate avertismentele, instrucțiunile, ilustrațiile și specificațiile de siguranță furnizate cu acest produs. Nerespectarea instrucțiunilor enumerate mai jos poate avea ca rezultat electrocutare, incendii și/sau vătămări corporale grave.

**Păstrați toate avertismentele și instrucțiunile pentru consultare ulterioară.** Termenul „produs” folosit în avertismente se referă la produsul acționat de la rețeaua de alimentare (cu cablu) sau pe baterii (fără cablu).

### Siguranța zonei de lucru

- **Păstrați zona de lucru curată și bine iluminată.** Zonele dezordonate sau întunecoase provoacă accidente.
- **Nu întrebuiți produsul în atmosfere explozive, cum ar fi în prezența lichidelor, gazelor și prafului inflamabile.** Produsul scoate scântei care pot aprinde praful sau degajările.
- **Țineți la distanță copiii și alte persoane în timpul folosirii produsului.** Distragerea atenției poate cauza pierderea controlului.

### Siguranța privind echipamentele electrice

- **Ștecărele produsului trebuie să se potrivească cu priza. Nu modificați niciodată ștecărul. Nu utilizați adaptoare de ștecăr cu produsele cu împământare**

(legate la masă). Ștecărele nemodificate și prizele potrivite reduc riscul de electrocutare.

- **Evitați contactul dintre propriul corp și suprafețele cu împământare sau legate la masă, cum ar fi țevi, calorifere, plite și congelatoare.** Există un pericol sporit de electrocutare dacă împământarea sau legarea la masă se face prin corpul dvs.
- **Nu expuneți produsele la ploaie sau la condiții de umezeală.** Apa care pătrunde într-un produs va spori pericolul de electrocutare.
- **Nu folosiți cablul în mod abuziv. Nu utilizați niciodată cablul la transportarea, tragerea sau deconectarea produsului. Țineți cablul departe de căldură, ulei, muchii ascuțite sau piese în mișcare.** Cablurile deteriorate sau încurcate sporesc pericolul de electrocutare.
- **Când lucrați cu produsul afară, folosiți un cablu prelungitor potrivit pentru utilizarea la exterior.** Folosirea unui cablu adecvat pentru utilizarea la exterior reduce riscul de electrocutare.
- **Dacă întrebuințarea unui produs într-un loc cu umiditate mare este inevitabilă, utilizați o sursă cu dispozitiv de protecție împotriva curentului rezidual (RCD).** Folosirea unui dispozitiv pentru curent rezidual reduce pericolul de electrocutare.

### Siguranța personală

- **Fiți mereu atent, uitați-vă la ce faceți și dați dovadă de simț practic când utilizați produsul. Nu utilizați produsul când sunteți obosit sau sub influența drogurilor, a alcoolului sau a medicamentelor.** Un moment de neatenție în timpul întrebuințării produselor poate duce la vătămări corporale grave.
- **Utilizați echipament individual de protecție. Purtați întotdeauna ochelari de protecție.** Echipamentele de protecție, cum ar fi masca împotriva prafului, încălțămîntea de protecție antiderapantă, casca sau protecția pentru auz utilizate în condiții corespunzătoare, vor reduce riscul de vătămări corporale.
- **Evitați pomirea accidentală. Verificați dacă comutatorul este în poziția oprit înainte de conectarea la o sursă de alimentare și/sau la acumulatori, înainte de ridicarea sau transportarea produsului.** Transportarea produselor cu degetul pe comutator sau activarea produselor care au comutatorul pornit pot genera accidente.
- **Îndepărtați toate cheile de reglare sau cheile fixe înainte de a porni produsul.** O cheie fixă care a rămas prinsă la o piesă rotativă a produsului poate duce la răniri.
- **Nu vă întindeți prea mult. Sprijiniți-vă bine pe picioare și păstrați-vă echilibrul.** Aceasta permite

un control mai bun asupra produsului în situații neașteptate.

- **Îmbrăcați-vă corespunzător. Nu purtați haine largi sau bijuterii. Țineți părul și îmbrăcămintea la distanță de piesele în mișcare.** Hainele largi, bijuteriile sau părul lung se pot prinde în piesele în mișcare.
- **Dacă dispozitivele sunt dotate cu racorduri la instalații de extragere și colectare a prafului, asigurați-vă că acestea sunt conectate și utilizate corespunzător.** Colectarea prafului poate reduce pericolele provocate de acesta.
- **Nu vă încredeți în familiaritatea dobândită din utilizarea frecventă a produselor și nu neglijați principiile lor de siguranță.** O acțiune neglijentă poate duce la vătămări corporale grave într-o fracțiune de secundă.

## Utilizarea și întreținerea produsului

- **Nu forțați produsul. Utilizați produsul adecvat pentru operațiunea dvs.** Cu produsul adecvat veți efectua lucrarea mai rapid și în condiții mai sigure, la viteza de lucru pentru care a fost proiectat.
- **Nu utilizați produsul dacă nu poate fi pornit și oprit de la comutator.** Orice produs imposibil de controlat cu comutatorul este periculos și trebuie reparat.
- **Deconectați ștecurul de la sursa de alimentare și/sau scoateți acumulatorul, dacă este detașabil, de la produs înainte de a face reglaje, de a schimba accesoriile sau de a depozita produsul.** Astfel de măsuri preventive de siguranță reduc riscul pornirii accidentale a produsului.
- **Nu lăsați produsele nefolosite la îndemâna copiilor și nu permiteți persoanelor care nu sunt familiarizate cu produsele sau cu instrucțiunile acestea să le folosească.** Produsele sunt periculoase în mâinile utilizatorilor neinstruiți.
- **Întrețineți produse și accesoriile. Verificați ca piesele în mișcare să nu fie nealiniate sau îndoite, ca piesele să nu fie deteriorate și să nu existe alte situații care ar putea afecta funcționarea produsului. Dacă produsul se strică, duceți-l la reparat înainte de a-l utiliza iar.** Multe accidente sunt provocate de produsele prost întreținute.
- **Păstrați uneltele de tăiere ascuțite și curate.** Este mai puțin probabil ca uneltele de tăiere cu tășuri ascuțite întreținute corespunzător să se blocheze și sunt mai ușor de controlat.
- **Utilizați produsul, accesoriile, capetele de unelaltă etc. în conformitate cu aceste instrucțiuni, luând în considerare condițiile de lucru și operațiunea care urmează a fi efectuată.** Utilizarea produsului pentru operațiuni diferite de cele pentru care a fost realizat poate duce la situații periculoase.
- **Mențineți mânerele și suprafețele de prindere uscate, curate, fără ulei și unsoare.** Mânerele și suprafețele de prindere alunecoase nu permit manipularea și controlarea în siguranță a produsului în situații neprevăzute.

## Service

- **Produsul dvs. trebuie reparat numai de un tehnician calificat, care să folosească numai piese de schimb identice.** Astfel se garantează păstrarea siguranței produsului.
- **Nu reparați niciodată acumulatori deteriorați.** Repararea acumulatorilor trebuie efectuată numai de producător sau de furnizorii de servicii autorizați.

## Utilizarea și întreținerea uneltei cu baterie

- **Reîncărcați numai cu încărcătorul specificat de producător.** Un încărcător adecvat pentru un tip de baterie poate constitui pericol de incendiu atunci când este utilizat cu un alt tip de baterie.
- **Utilizați produsele numai cu bateriile special indicate.** Utilizarea unui alt tip de acumulatori poate constitui pericol de vătămări corporale și de incendiu.
- **Când acumulatorul nu este utilizat, păstrați-l departe de alte obiecte metalice, precum agrafe de birou, monede, chei, cuie, șuruburi sau alte obiecte mici de metal, care pot crea o conexiune între borne.** Scurtcircuitarea bornelor bateriei poate cauza arsuri sau incendii.
- **În condiții de utilizare neadecvată, din baterie pot ieși stropi de lichid; evitați contactul.** Totuși, dacă intrați accidental în contact cu lichidul respectiv, spălați cu apă. Dacă lichidul intră în contact cu ochii, consultați un medic. Lichidul care se scurge din baterie poate cauza iritații sau arsuri.
- **Nu utilizați acumulatori sau uneltele deteriorate sau modificate.** Bateriile deteriorate sau modificate pot prezenta un comportament imprevizibil, ce pot duce la incendii, explozii sau pericol de vătămări corporale.
- **Nu expuneți acumulatorii sau uneltele la flăcări sau temperaturi excesive.** Expunerea la flăcări sau la temperaturi de peste 130°C/265°F poate cauza explozii.
- **Urmați toate instrucțiunile de încărcare și nu încărcați acumulatorul sau uneltea în afara intervalului de temperatură specificat în instrucțiuni.** Încărcarea incorectă sau la temperaturi în afara intervalului specificat poate duce la deteriorarea bateriei și la creșterea pericolului de incendiu.

## Instrucțiuni generale de siguranță



**AVERTISMENT:** Înainte de a utiliza produsul, citiți instrucțiunile de avertizare de mai jos.

- Acest produs este periculos dacă este utilizat incorect sau dacă nu sunteți atent. Nerespectarea instrucțiunilor de siguranță poate cauza vătămări corporale sau decesul.
- În timpul funcționării, acest produs generează un câmp electromagnetic. În anumite condiții, acest câmp poate interfera cu implanturile medicale active sau pasive. Pentru a reduce riscul de

vătămări corporale grave sau mortale, recomandăm persoanelor cu implanturi medicale să consulte medicul și producătorul implantului medical înainte de a utiliza acest produs.

- Procedați întotdeauna cu atenție și folosiți-vă judecata. Dacă nu sunteți sigur cum să utilizați produsul într-o situație specială, opriți-l și adresați-vă distribuitorului Husqvarna înainte de a continua.
- Rețineți că operatorul poartă responsabilitatea privind orice accidente care implică alte persoane sau bunurile lor.
- Păstrați produsul curat. Asigurați-vă că puteți citi clar semnele și autocolantele.
- Nu lăsați niciodată copiii sau persoanele nefamiliarizate cu aceste instrucțiuni să folosească aparatul. Este posibil ca reglementările locale să limiteze vârsta operatorului.
- Monitorizați permanent o persoană cu capacități fizice sau mintale reduse, care utilizează produsul. Un adult responsabil trebuie să fie prezent în permanență.
- Nu utilizați produsul atunci când sunteți obosit, bolnav sau dacă ați consumat alcool, droguri sau ați luat medicamente. Acestea vă afectează negativ acuitatea vizuală, atenția, coordonarea și judecata.
- Nu folosiți produsul dacă este deteriorat sau dacă nu funcționează corect.
- Nu modificați acest produs și nu îl utilizați dacă este posibil să fi fost modificat de către alte persoane.

## Siguranța în lucru



**AVERTISMENT:** Înainte de a utiliza produsul, citiți instrucțiunile de avertizare de mai jos.

- Nu utilizați produsul pe vreme rea, de exemplu pe ceață, ploaie, vânt puternic, la temperaturi exterioare foarte scăzute și atunci când există riscul de descărcări electrice. Utilizarea produsului pe vreme nefavorabilă sau pe teren umed sau inundat este obositoare. Vremea nefavorabilă poate conduce la apariția de situații periculoase, de exemplu suprafețe alunecoase.
- Verificați dacă există persoane, obiecte și situații care pot împiedica funcționarea în siguranță a produsului.
- Atenție la obstacole, precum rădăcini, pietre, ramuri, gropi și șanțuri. În iarba înaltă se pot ascunde obstacole.
- Nu utilizați produsul pe pante cu înclinație mai mare de 15°.
- Aveți foarte mare grijă atunci când schimbați direcția de deplasare pe pante. Utilizați produsul de-a curmezișul pantei. Nu efectuați mișcări în sus și în jos.
- Procedați cu atenție atunci când vă apropiați de colțuri ascunse și de obiecte care blochează vederea.
- Asigurați-vă că burghiul nu lovește obiecte, precum pietre și rădăcini. Acestea pot deteriora burghiul și pot îndoii arborele motorului. Un arbore de motor îndoit poate genera vibrații puternice și prezintă un risc foarte ridicat de slăbire a burghiului.
- Dacă burghiul lovește un obiect sau dacă observați vibrații, opriți imediat produsul. Opriți motorul, scoateți cheia de siguranță și îndepărtați bateria. Așteptați până se opresc componentele aflate în mișcare. Verificați dacă produsul este deteriorat. Strângeți componentele slăbite. Reparați avariile și înlocuiți componentele deteriorate. Reparațiile trebuie efectuate de un agent de service autorizat.
- Nu atașați niciodată permanent maneta de operare a burghiului la mâner atunci când motorul este pornit.
- Poziționați produsul pe o suprafață stabilă, plană și porniți-l.
- Stați întotdeauna în spatele produsului atunci când îl utilizați.
- Mențineți toate roțile pe sol și țineți ambele mâini pe mâner când utilizați produsul.
- Feriți-vă mâinile și picioarele de burghiul rotativ.
- Nu înclinați produsul când porniți motorul sau în timp ce întrebuințați produsul.
- Fiți atent atunci când trageți produsul în spate.
- Nu ridicați produsul când motorul este pornit. Dacă trebuie să ridicați produsul, mai întâi opriți motorul, trageți cheia de siguranță și scoateți bateria.
- Nu mergeți cu spatele în timp ce utilizați produsul.
- Eliberați maneta de operare a burghiului pentru a opri burghiul atunci când este necesară înclinarea produsului în vederea transportului.
- Nu alergați cu produsul când motorul este pornit. Întotdeauna mergeți în timp ce utilizați produsul.



- Opriți motorul înainte de a schimba adâncimea de pozare a cablurilor. Nu efectuați reglaje cu motorul pornit.
- Nu lăsați produsul în afara câmpului vizual cu motorul pornit. Opriți motorul și asigurați-vă că burghiul nu se rotește.
- Vibrațiile produsului în timpul funcționării pot fi diferite de valoarea de vibrații declarată în *Date tehnice la pagina 339*. Diferența este dată de variațiile din modurile de utilizare a produsului. Dacă întrebuințați produsul frecvent sau pe durate mari, faceți pauze dese pentru a preveni afecțiunile fizice determinate de vibrații.

## Instrucțiuni de siguranță pentru utilizare

Înainte de a utiliza produsul, citiți instrucțiunile de mai jos.

- Asigurați-vă de integritatea cablului de pe ghidajul de cablu.
- Asigurați-vă că tubul de pe aripioara de alimentare este intact. Înlocuiți tubul dacă este uzat sau deteriorat.

(Fig. 16)

- Asigurați-vă că marginea din jurul găurii nu este ascuțită sau deteriorată. Înlocuiți ghidajul de cablu dacă este deteriorat.
- Asigurați-vă că șuruburile sunt strânse.
- Asigurați-vă că toate manetele se află în poziție neutră.

## Echipament individual de protecție



**AVERTISMENT:** Înainte de a utiliza produsul, citiți instrucțiunile de avertizare de mai jos.

- Echipamentul individual de protecție nu pot elimina complet riscul de rănire, însă pot reduce gravitatea rănilor în cazul unui accident. Distribuitorul vă poate ajuta să alegeți echipamentul corect.
- Utilizați întotdeauna ghete sau pantofi pentru regim greu de lucru, cu rezistență la alunecare. Nu folosiți pantofi decupați și nu operați produsul desculț.
- Utilizați pantaloni lungi, groși.
- Purtați mănuși de protecție atunci când este necesar, de exemplu atunci când conectați, inspectați sau curățați echipamentul de pozare a cablurilor.
- Recomandăm folosirea de echipament de protecție a auzului.

## Dispozitivele de siguranță de pe produs



**AVERTISMENT:** Înainte de a utiliza produsul, citiți instrucțiunile de avertizare de mai jos.

- Nu utilizați un produs cu dispozitive de siguranță care sunt deteriorate sau care nu funcționează corect.
- Nu înlăturați și nu aduceți modificări la dispozitivele de siguranță.
- Verificați regulat dispozitivele de siguranță. În cazul în care dispozitivele de siguranță sunt deteriorate sau nu funcționează corect, adresați-vă Husqvarna agentului de service.

## Cheie de siguranță

Cheia de siguranță este sub capacul bateriei. Cheia de siguranță conectează bateria care alimentează motorul cu energie.

## Pentru a efectua verificarea cheii de siguranță

Cheia de siguranță conectează bateria care alimentează motorul cu energie.

- Porniți și opriți motorul. În cazul în care cheia de siguranță funcționează corect, motorul pornește doar atunci când cheia de siguranță se află în încuietorea de siguranță.

## Manetă pentru operarea burghiului

Maneta pentru operarea burghiului oprește burghiul. La eliberarea manetei pentru operarea burghiului, acesta se oprește.

Pentru a efectua o inspecție a manetei pentru operarea burghiului, porniți motorul și eliberați maneta pentru operarea burghiului. Dacă burghiul nu se oprește în 3 secunde, contactați un agent de service Husqvarna autorizat.

(Fig. 17)

## Siguranța bateriei



**AVERTISMENT:** Înainte de a utiliza produsul, citiți instrucțiunile de avertizare de mai jos.

- Utilizați numai baterii reîncărcabile Husqvarna ca sursă de alimentare pentru produsele Husqvarna asociate. Pentru a evita rănirea, nu folosiți bateria ca sursă de alimentare pentru alte dispozitive.
- Nu utilizați baterii nereîncărcabile.
- Risc de electrocutare. Nu conectați bornele bateriei la chei, monede, șuruburi sau alte metale. Aceasta poate cauza scurtcircuitarea bateriei.
- Nu puneți obiecte în fantele de aerisire a bateriei.
- Feriți bateria de lumina solară, de căldură sau de flăcări deschise. Bateria poate exploda și provoca arsuri și/sau arsuri chimice.
- Feriți bateria de ploaie și de condiții de umezeală.
- Feriți bateria de microunde și de înaltă presiune.
- Nu încercați să demontați sau să spargeți bateria.
- Dacă există scurgeri de lichid dintr-o baterie, nu lăsați lichidul să intre în contact cu pielea sau ochii.

Dacă ați atins lichidul, curățați zona cu apă din abundență și consultați medicul.

- Utilizați bateria din produs numai când temperatura ambiantă este între 5 și 40 °C.
- Utilizați încărcătorul bateriei numai când temperatura ambiantă este între 5 și 40 °C.
- Bateria nu se va încărca dacă temperatura sa depășește 50 °C.
- Nu curățați niciodată cu apă bateria sau încărcătorul de baterii. Consultați *Curățarea bateriei și încărcătorului la pagina 336*.
- Nu utilizați o baterie deteriorată.
- Depozitați bateriile la distanță de obiecte de metal, de exemplu cuie, monede, bijuterii.

## Siguranța încărcătorului de baterii



**AVERTISMENT:** Înainte de a utiliza produsul, citiți instrucțiunile de avertizare de mai jos.

- Utilizați numai încărcătoare de baterii QC pentru a încărca bateriile de schimb Husqvarna.
- Pericol de electrocutare sau de scurtcircuit. Nu puneți obiecte în fațetele de aerisire a încărcătorului. Nu încercați să dezasamblați încărcătorul de baterii. Nu conectați bornele încărcătorului la obiecte metalice. Folosiți o priză de curent aprobată.
- În timpul funcționării, acest produs generează un câmp electromagnetic. În anumite condiții, acest câmp poate interfera cu implanturile medicale active sau pasive. Pentru a reduce riscul vătămare gravă sau de deces, recomandăm persoanelor cu implanturi medicale să se consulte cu medicul și cu producătorul implantului medical înainte de a utiliza acest produs.
- Asigurați-vă periodic că cablul de alimentare al încărcătorului de baterii nu este deteriorat și că nu prezintă fisuri.
- Nu ridicați încărcătorul de baterii ținând de cablul de alimentare. Pentru a deconecta încărcătorul de baterii de la priza de perete, trageți de ștecăr. Nu trageți de cablul de alimentare.
- Țineți cablul de alimentare și prelungitoarele la distanță de apă, ulei și muchii ascuțite. Asigurați-vă că acest cablu nu este prins în uși, garduri sau în alte locuri similare. În caz contrar, încărcătorul poate intra sub tensiune.
- Nu curățați încărcătorul de baterii folosind apă.
- Acest încărcător de baterii poate fi utilizat de către copiii cu vârsta peste 8 ani și de către persoane ce au capacități fizice, senzoriale sau mentale

reduse sau care nu au experiența și cunoștințele necesare, dacă sunt supravegheate sau au primit instrucțiuni referitoare la utilizarea încărcătorului de baterii în siguranță și înțeleg riscurile implicate. Copiii nu trebuie să se joace cu încărcătorul de baterii. Curățarea și întreținerea nu trebuie efectuate de copii fără supraveghere.

- Nu încărcați baterii nereîncărcabile în încărcătorul de baterii.
- Nu utilizați încărcătorul de baterii în apropiere de materiale inflamabile sau materiale care pot cauza coroziune. Nu acoperiți încărcătorul bateriei. În caz de fum sau de incendiu, scoateți ștecărul încărcătorului de baterii.
- Nu utilizați un încărcător de baterii deteriorat.
- Încărcați bateria numai în interior, într-o încăpere cu aerisire adecvată și departe de lumina soarelui. Nu încărcați bateria în medii umede.

## Instrucțiuni de siguranță pentru întreținere



**AVERTISMENT:** Înainte de a utiliza produsul, citiți instrucțiunile de avertizare de mai jos.

- Scoateți cheia de siguranță înainte de a efectua operații de întreținere asupra produsului.
- Efectuați lucrările de întreținere în mod corect pentru a prelungi durata de viață a produsului și reduce pericolul de accidente. Lucrările de reparații profesionale trebuie efectuate de un agent de service autorizat. Discutați cu agentul de service cel mai apropiat de dvs. pentru mai multe informații.
- Efectuați numai lucrările de întreținere care se regăsesc în acest manual al operatorului.
- Purtați mănuși de protecție rezistente când atingeți echipamentul de pozare a cablurilor.
- Mențineți produsul curat pentru performanță și siguranță optime.
- Permiteți agentului de service să verifice periodic produsul și să efectueze reglaje și reparațiile necesare.
- Înlocuiți piesele deteriorate, uzate sau defecte.
- Respectați instrucțiunile privind modul de schimbare a accesoriilor. Utilizați numai accesoriile furnizate de producător.
- Atunci când nu este în funcțiune, păstrați produsul, bateria și încărcătorul în interior, într-un loc uscat și încuiat. Asigurați-vă că persoanele neavizate și copiii nu au acces la produs, la baterie sau la încărcător.

---

# Asamblarea

---

## Introducere



**AVERTISMENT:** Citiți și înțelegeți capitolul referitor la siguranță înainte de asamblarea produsului.

## Instalarea burghiului

1. Introduceți burghiul (A) în capul de găurire (B) și instalați șurubul lung (C). (Fig. 18)

**Nota:** Pentru instalarea burghiului este necesară o cheie hexagonală de 6 mm.

2. Instalați capul de găurire pe arbore (D) cu ajutorul șurubului scurt (E).
3. Strângeți șuruburile.

## Instalarea cablului

Produsul dispune de un înfășurător de cablu cu cuplaj, care poate fi demontat.

1. Amplasăți cablul pe înfășurătorul de cablu. Utilizați rozeta pentru a roti înfășurătorul de cablu în sensul acelor de ceasornic.

**Nota:** Cablul trebuie instalat pe înfășurătorul de cablu în sensul acelor de ceasornic, astfel încât să se deruleze lin în timpul funcționării. (Fig. 19)

2. Împingeți cablul în tubul aripioarei de alimentare (A) până când o bucată de aproximativ 5 cm de cablu iese prin partea de jos (B). (Fig. 20)

## Instalarea și demontarea înfășurătorului de cablu

1. Slăbiți butonul rotativ (A). (Fig. 21)
2. Îndepărtați opritorul (B).
3. Îndepărtați înfășurătorul de cablu (C).
4. Montați înfășurătorul de cablu (D). Utilizați adaptorul dacă este necesar. (Fig. 22)
5. Montați opritorul (E) și strângeți butonul rotativ (F).

---

# Funcționarea

---

## Introducere



**AVERTISMENT:** Înainte de a utiliza produsul, trebuie să citiți și să înțelegeți capitolul privind siguranța.

## Husqvarna Fleet Services™

Husqvarna Fleet Services™ este o soluție în cloud care îi asigură utilizatorului o vedere de ansamblu a tuturor produselor conectate. Pe acest produs poate fi instalat un senzor Husqvarna Fleet Services™. Senzorul Husqvarna Fleet Services™ colectează datele despre produs și vă permite conectarea la sistemul Husqvarna Fleet Services™. Sistemul Husqvarna Fleet Services™ raportează date precum timpul de funcționare, intervalele de service și localizarea produsului.

Pentru mai multe informații despre Husqvarna Fleet Services™, descărcați aplicația Husqvarna Fleet Services™ sau discutați cu reprezentantul dvs. Husqvarna.

## Pentru pregătirea senzorului (accesoriu)

1. Folosiți cheia senzorului pentru a deschide capacul senzorului. (Fig. 23)
2. Îndepărtați senzorul.
3. Conectați bateria la senzor. LED-ul senzorului luminează. (Fig. 24)

4. Descărcați aplicația Husqvarna Fleet Services™.
5. Conectați-vă la aplicația Husqvarna Fleet Services™.
6. Efectuați operația de asociere. Consultați *Pentru a efectua o operație de asociere între aplicație și produs la pagina 331*

## Pentru a efectua o operație de asociere între aplicație și produs

1. Conectați-vă la aplicația Husqvarna Fleet Services™.
2. Selectați produsul în aplicație.
3. Scanați codul de pe spatele senzorului cu dispozitivul mobil pentru a instala senzorul din aplicație.

**Nota:** Operația de asociere între aplicație și produs trebuie efectuată o singură dată.

## Pentru a instala senzorul

1. Asigurați-vă că senzorul este conectat la aplicația Husqvarna Fleet Services™. Consultați *Pentru a efectua o operație de asociere între aplicație și produs la pagina 331*.
2. Realizați 2 orificii lângă marcajele din compartimentul incintei. (Fig. 25)

**Nota:** Asigurați-vă că orificiile au aceeași dimensiune ca niturile furnizate cu senzorul.

- Folosiiți un clește pentru a scoate găurile exterioare de pe compartimentul senzorului. (Fig. 26)
- Realizați 2 orificii lângă marcajele din compartimentul senzorului. (Fig. 27)
- Aliniați compartimentul senzorului cu compartimentul incintei. (Fig. 28)
- Fixați compartimentul senzorului cu ajutorul niturilor.
- Instalați senzorul în compartimentul senzorului. Aliniați marcajul alb de pe senzor cu marcajul de pe compartimentul senzorului. (Fig. 29)
- Închideți capacul senzorului și blocați-l cu cheia senzorului. Asigurați-vă că partea de sus a literei „H” Husqvarna este orientată în sens opus cheii de siguranță. (Fig. 30)

## Baterie



**AVERTISMENT:** Înainte de a utiliza bateria, trebuie să citiți și să înțelegeți capitolul privind siguranța. Trebuie, de asemenea, să citiți și înțelegeți informațiile din manualul operatorului privind bateria și încărcătorul.

Păstrați bateria și încărcătorul la temperaturile ambiante corecte.

	Temperatură ambientă
Folosirea bateriei	5-40 °C
Încărcarea bateriei	5-40 °C

## Starea bateriei

Afișajul arată capacitatea rămasă a bateriei și dacă există probleme cu aceasta. Capacitatea bateriei este afișată timp de 5 secunde după ce produsul este oprit sau după ce este apăsat butonul indicatorului. Simbolul de avertisment de pe baterie se aprinde când apare o eroare. Consultați *Bateria la pagina 337*.

(Fig. 31)

Lumini LED	Stare baterie
Toate LED-urile sunt aprinse	Complet încărcată (75 - 100 %)
Sunt aprinse LED-urile 1, 2 și 3	Bateria este încărcată în proporție de 50 - 75 %
Sunt aprinse LED-urile 1 și 2	Bateria este încărcată în proporție de 25 - 50 %
Este aprins LED-ul 1	Bateria este încărcată în proporție de 0-25 %
LED-ul 1 se aprinde intermitent	Bateria este descărcată. Încărcați bateria.

## Încărcarea bateriei

Încărcați bateria înainte de prima utilizare. Bateria este încărcată în proporție de doar 30 % la livrarea către client.

**Nota:** Încărcătorul trebuie conectat la o sursă de alimentare având tensiunea și frecvența specificate pe plăcuța de identificare.

Bateria nu se încarcă dacă temperatura acesteia este mai mare de 50° C. Încărcătorul de baterii reduce temperatura bateriei înainte de a începe încărcarea.

- Conectați un capăt al cablului de alimentare al încărcătorului la mufa acestuia.
- Conectați celălalt capăt al cablului de alimentare al încărcătorului la o priză de curent cu împământare. LED-ul de pe încărcătorul bateriei se aprinde o singură dată, în culoarea verde. (Fig. 32)
- Introduceți bateria în încărcătorul aferent. Lumina verde de pe încărcător se aprinde atunci când bateria este conectată corect la încărcător. (Fig. 33)
- Atunci când toate LED-urile de pe baterie sunt aprinse, bateria este încărcată complet. Încărcați bateria timp de maximum 24 de ore.
- Pentru a decupla încărcătorul de baterii de la priza de curent, trageți de ștecher și nu de cablul de alimentare.
- Scoateți bateria din încărcător.

## Nivelul de încărcare a bateriei

O baterie Husqvarna Li-ion poate fi încărcată sau utilizată la toate nivelurile de încărcare. Bateria nu se deteriorează. O baterie complet încărcată nu-și reduce nivelul de încărcare atunci când este lăsată în încărcător.

Afișaj LED	Nivelul de încărcare
LED-ul 1 se aprinde intermitent	0%-25%
LED-ul 1 este aprins, LED-ul 2 se aprinde intermitent	25%-50%
LED-urile 1 și 2 sunt aprinse, LED-ul 3 se aprinde intermitent	50%-75%
LED-urile 1, 2 și 3 sunt aprinse, LED-ul 4 se aprinde intermitent	75%-100%
LED-urile 1, 2, 3 și 4 sunt aprinse	Încărcată complet

## Ce trebuie făcut înainte de a utiliza produsul

1. Udați solul în ziua anterioară lucrării pe timp de vară sau dacă solul este uscat.
2. Asigurați-vă că oamenii și animalele se află la cel puțin 20 m distanță de produs.
3. Amplasați cablul pe înfășurătorul de cablu. Consultați *Instalarea cablului la pagina 331*.
4. Reglați adâncimea de pozare a cablului. Consultați *Reglarea adâncimii de pozare a cablului la pagina 333*.
5. Fixați capătul cablului de un țărnuș.

## Pornirea produsului

1. Înclinați mânerul pe o parte. Consultați *Pentru a înclina mânerul la pagina 333*.
2. Deschideți capacul bateriei.
3. Introduceți o baterie încărcată în compartimentul pentru baterii nr. 1 sub capacul bateriei. Pentru o durată mai lungă de funcționare, introduceți a doua baterie încărcată în compartimentul pentru baterii nr. 2.
4. Deconectați cheia de siguranță din suportul cheii de siguranță.
5. Împingeți cheia de siguranță în încuietoarea de siguranță. (Fig. 34)
6. Stați în spatele produsului.
7. Apăsăți butonul de standby (A) de pe panoul de control. Indicatorul luminos de standby (B) se aprinde. (Fig. 35)
8. Apăsăți butonul pornit/oprit (C) până când rămâne apăsat. Motorul pornește.



**ATENȚIE:** Nu acționați produsul dacă lumina de avertizare (D) se aprinde intermitent în roșu.

9. Împingeți maneta pentru operarea burghiului în direcția mânerului pentru a cupla burghiul. (Fig. 36)

## Pentru a utiliza transmisia pe roți

- Trageți maneta de control al deplasării (A) în direcția mânerului pentru a cupla acționarea roților. (Fig. 37)
- Eliberați maneta de control al deplasării pentru a decupla acționarea roților.

## Reglarea adâncimii de pozare a cablului

1. Slăbiți butonul rotativ (A). (Fig. 38)
2. Reglați roata de susținere (B) la adâncimea necesară de pozare a cablului și strângeți butonul rotativ.

---

**Nota:** Cifrele (C) de pe partea laterală a tubului roții de susținere prezintă adâncimea de pozare a cablului în cm. Adâncimea de pozare a cablului poate fi reglată între 1 și 6 cm.

---

## Reglarea înălțimii mânerului

Înălțimea mânerului poate fi reglată la 5 poziții.

1. Rotiți mânerul (A) în sens contrar acelor de ceasornic pentru a-l slăbi și pentru a demonta butonul rotativ (B). (Fig. 39)
2. Reglați înălțimea mânerului și instalați butonul rotativ în orificiul cel mai apropiat.
3. Rotiți mânerul în sensul acelor de ceasornic pentru a-l strânge.

## Pentru a înclina mânerul

Puteți înclina mânerul pentru a evita lovirea obstacolelor atunci când operați produsul. Mânerul poate fi înclinat în 4 poziții în partea dreaptă și 4 poziții în partea stângă.

1. Trageți complet maneta de înclinare a mânerului (A) în direcția mânerului și mențineți-o. Maneta de înclinare a mânerului se află în partea din stânga jos a mânerului. (Fig. 40)
2. Înclinați mânerul într-una din cele 4 poziții la stânga sau la dreapta și deblocați maneta de înclinare a mânerului. Asigurați-vă că știftul care blochează poziția mânerului se află într-una dintre fante. (Fig. 41)

## Pentru a bloca funcția de pivotare a aripioarei de alimentare

Pentru a mări precizia direcției atunci când poziți cablul pe secțiuni drepte și lungi, puteți bloca funcția de pivotare a aripioarei de alimentare.

- Asigurați-vă că aripioara de alimentare este în aceeași direcție ca produsul și strângeți mânerul (A). (Fig. 42)

## Pentru reglarea ghidajului de cablu

Produsul este reglat pentru cabluri de 4 mm. În cazul în care cablul are un diametru mai mare, ghidajul de cablu trebuie reglat.

1. Slăbiți cele 2 șuruburi. (Fig. 43)
2. Deplasați ghidajul de cablu cu câțiva milimetri în sus.
3. Strângeți cele 2 șuruburi.

## Pentru reglarea ecartamentului

Poziția roților poate fi reglată pentru diferite ecartamente. Există 4 orificii de reglare pe axul din stânga și 4 orificii de reglare pe axul din dreapta. Ecartamentul poate fi reglat la 250, 270, 290 sau 310 mm de centrul burghiului. (Fig. 44)

1. Trageți afară știftul (A).
2. Reglați roțile la ecartamentul necesar.
3. Introduceți știftul într-unul din cele 4 orificii (B) de pe ax.
4. Blocați arcul de siguranță.

## Pentru începerea lucrului

După instalarea cablului și a burghiului, operatorul trebuie să fixeze cablul pe sol.

1. Amplasați un țărș pe sol.
2. Fixați pe țărș partea cablului care iese din partea de jos a ghidajului de cablu.

## Pentru utilizarea ghidajului cu 2 cabluri

Dacă produsul se îndepărtează de perimetrul exterior al spațiului de lucru, este necesar să pozați două cabluri simultan.

1. Îngropați un cablu de-a lungul întregului perimetru. Consultați figurile (A) și (B). (Fig. 45) (Fig. 46)
2. Când vă aflați în punctul indicat în figura (C), amplasați roata de susținere în poziția cea mai înaltă, pentru a scoate aripioara de alimentare din sol. Fixați cablul cu un țărș și continuați cu cablul deasupra solului până când ajungeți la punctul următor. (Fig. 47)
3. Fixați cablul cu un țărș la punctul indicat în figura (D). (Fig. 48)
4. Amplasați aripioara de alimentare la adâncimea corectă de pozare a cablului și continuați să îngropați cablul pentru a crea insula. Consultați figura (E). (Fig. 49)
5. Când ajungeți la punctul indicat în figura (F), scoateți țărșul și curățați aripioara de alimentare. Consultați *Pentru curățarea aripioarei de alimentare la pagina 335*. (Fig. 50)

6. Asamblați cablul deasupra solului în ghidajul de cablu. (Fig. 51)
7. Îngropați cele două cabluri în același timp până la punctul indicat în figura (G). Fixați cele două cabluri pe un țărș și desprindeți al doilea cablu de pe ghidajul de cablu. (Fig. 52)
8. Continuați să îngropați cablul de perimetru până la punctul indicat în figura (H). (Fig. 53)

## Oprirea produsului

Produsul se oprește automat dacă nu-l utilizați timp de 3 minute.

1. Eliberați maneta de transmisie (A) pentru a decupla transmisia de roți. (Fig. 37)
2. Eliberați maneta pentru operarea burghiului pentru a opri burghiul. (Fig. 17)
3. Apăsăți butonul de pornire/oprire situat pe panoul de control.
4. Apăsăți butonul standby de pe panoul de control.
5. Deschideți capacul bateriei.
6. Scoateți cheia de siguranță din încuietorea de siguranță și introduceți-o în suportul cheii de siguranță.
7. Utilizați racleta pentru a curăța aripioara de alimentare. Consultați *Pentru curățarea aripioarei de alimentare la pagina 335*.
8. Curățați și lubrifiați capul burghiului după fiecare operație. Consultați *Curățarea și lubrifierea capului burghiului la pagina 335*.

# Întreținerea

## Introducere



**AVERTISMENT:** Înainte de a efectua orice operații de întreținere, citiți și înțelegeți capitolul privind siguranța.

Toate lucrările de service și de reparații la produs necesită instruire specială. Garantăm disponibilitatea unor lucrări profesionale de reparații și service.

Pentru informații mai detaliate, consultați [www.husqvarna.com](http://www.husqvarna.com).

## Program de întreținere

Intervalele de întreținere sunt calculate având în vedere o utilizare zilnică a produsului. Intervalele se modifică dacă produsul nu este utilizat zilnic.

Pentru operațiuni de întreținere identificate cu \*, consultați *Dispozitivele de siguranță de pe produs la pagina 329*.

	La fiecarea utilizare	Lunar	În fiecare sezon
Efectuați o inspecție generală.	X		
Asigurați-vă că dispozitivele de siguranță de pe produs nu sunt defecte *.	X		
Examinați burghiul și aripioara de alimentare.	X		
Verificați maneta pentru operarea burghiului*.	X		
Asigurați-vă că butonul de pornire/oprire funcționează corect și nu este defect.	X		
Verificați dacă bateria este deteriorată.	X		
Verificați nivelul de încărcare a bateriei.	X		
Asigurați-vă că butoanele de eliberare de pe baterie funcționează corect și că bateria este fixată în produs.	X		
Curățați prizele de aer de pe motor. Asigurați-vă că prizele de aer nu prezintă iarbă sau reziduuri.	X		
Lubrificați piesele nevorsite.	X		
Lubrificați piesele în care acoperirea cu zinc este uzată.	X		
Curățați și lubrificați capul burghiului.	X		
Curățați aripioara de alimentare.	X		
Verificați dacă încărcătorul de baterii nu prezintă deteriorări și asigurați-vă că funcționează corect.		X	
Examinați conexiunile dintre baterie și produs. Examinați, de asemenea, conexiunea dintre baterie și încărcător.			X

## Pentru curățarea aripioarei de alimentare

- Utilizați racleta pentru a îndepărta solul și a curăța aripioara de alimentare. (Fig. 54)

## Pentru înlocuirea aripioarei de alimentare

1. Înclinați produsul înainte și așezați-l încet pe sol.
2. Demontați cele 2 șuruburi (A) și aripioara de alimentare (B). (Fig. 55)
3. Montați noua aripioară de alimentare în ordinea inversă a operațiilor.

## Pentru înlocuirea burghiului

1. Îndepărtați iarba și reziduurile de pe produs.



**ATENȚIE:** Asigurați-vă că produsul sau alte materiale nedorite nu pătrund în burghiu în timpul montării.

**Nota:** Curățați și lubrificați carcasa burghiului de fiecare dată după încheierea lucrului.

2. Îndepărtați șurubul scurt (A) și capul de găurit (B) de pe arbore (C). (Fig. 56)

**Nota:** Pentru înlocuirea burghiului este necesară o cheie imbus de 6 mm.

3. Îndepărtați șurubul lung (D) și burghiul (E) din capul de găurire.
4. Introduceți un burghiu nou în capul burghiului și instalați șurubul lung.
5. Instalați capul de găurire pe arbore.
6. Strângeți șuruburile.

## Curățarea și lubrifierea capului burghiului

Curățați complet capul burghiului după fiecare operație.

1. Înclinați produsul înainte și așezați-l încet pe sol.
2. Îndepărtați iarba, murdăria și materialele nedorite cu o perie moale.

3. Utilizați aer comprimat pentru a elimina particulele mai mici de iarbă și murdărie.
4. Scoateți șuruburile (A) de pe capul burghiului (B) și scoateți burghiul (C). (Fig. 56)
5. Slăbiți cele 2 șuruburi (D) și demontați aripioara de alimentare (E). (Fig. 57)
6. Demontați șurubul (F) și scoateți capul de burghiu (G) de pe arbore (H). (Fig. 58)
7. Utilizați aer comprimat pentru a curăța produsul. Asigurați-vă că toată murdăria, iarbă și alte materiale nedorite sunt eliminate.
8. Dacă este necesar, îndepărtați unsoarea murdară cu un solvent adecvat.
9. Curățați toate componentele cu un solvent adecvat și lubrifiați toate componentele.
10. Aplicați unsoare rezistentă la apă pe arbore. (Fig. 59)

## Curățarea bateriei și încărcătorului



**AVERTISMENT:** Nu curățați niciodată cu apă bateria sau încărcătorul bateriei.



**AVERTISMENT:** Nu folosiți chimicale pentru a curăța bateria.

- Asigurați-vă că bateria și încărcătorul sunt curate și uscate înainte să introduceți bateria în încărcător.
- Curățați bornele bateriei cu aer comprimat sau cu o cârpă moale și uscată.
- Curățați suprafețele bateriei și încărcătorul cu o cârpă moale și uscată.

## Depanarea

### Depanare

Dacă nu puteți găsi o soluție pentru problemele dvs. în acest manual, contactați agentul de service Husqvarna.

Problemă	Cauză
Motorul nu pornește.	Bateria nu este încărcată.
	Bateria nu este instalată corect.
	Bateria este defectă.
	Panoul de control este defect.
Burghiul nu se rotește.	Cureaua este uzată.
	Cureaua s-a deplasat de pe roțile de transmisie.
	Maneta nu realizează o tensionare suficientă a curelei.
Burghiul continuă să se rotească după eliberarea manetei pentru operarea burghiului.	Cablul manetei pentru operarea burghiului este uzat sau deteriorat.
Produsul nu funcționează corect.	Burghiul este uzat sau deteriorat.
	Burghiul nu este instalat corect.
Produsul nu se deplasează când este cuplată maneta de transmisie.	Cablul manetei de transmisie este uzat sau deteriorat.
	Curelele de transmisie sunt uzate.
	Lanțul este rupt sau insuficient tensionat.
	Discurile de ambreiaj din carcasa transmisiei sunt uzate.
Capul burghiului nu poate fi demontat.	Unitatea conține materiale nedorite.
	Există oxid în sistem.



Problemă	Cauză
Izolația cablului introdus în sol este deteriorată.	Orificiul de ieșire a cablului de pe aripioara de alimentare este deteriorat.
	Tubul care conține cablul și care face parte din aripioara de alimentare este murdar.

## Bateria

LED pe baterie	Cauză	Soluție
LED-ul verde se aprinde intermitent.	Tensiunea bateriei este joasă.	Încărcați bateria. Consultați <i>Încărcarea bateriei la pagina 332</i> .
LED-ul de eroare se aprinde intermitent.	Bateria este slabă.	Încărcați bateria. Consultați <i>Bateria la pagina 337</i> .
	Temperatura din mediul de lucru este prea mare sau prea mică.	Utilizați bateria la temperaturi între -10°C și 40°C.
	Supratensiune.	Asigurați-vă că tensiunea rețelei de alimentare este la fel cu cea indicată pe plăcuța de identificare de pe produs.  Scoateți bateria din încărcător. Așteptați 5 secunde și încercați din nou să încărcați bateria. Dacă problema continuă, contactați un agent de service aprobat.
LED-ul de eroare este aprins.	Diferența dintre celule este prea mare (1 V).	Discutați cu un agent de service autorizat.

## Încărcător pentru acumulator

LED-ul de pe încărcătorul de baterii	Cauză	Soluție
LED-ul de eroare se aprinde intermitent.	Temperatura din mediul de lucru este prea mare sau prea mică.	Utilizați încărcătorul de baterii la temperaturi între 5 °C și 40 °C.
LED-ul de eroare este aprins.		Discutați cu un agent de service autorizat.

## Panou control

Cod de eroare (număr de aprinderi intermitente)	Erori posibile	Procedură posibilă
5	Turația motorului scade prea mult și motorul se oprește.	Curățați capul burghiului și reduceți adâncimea de pozare a cablului. Consultați <i>Curățarea și lubrifierea capului burghiului la pagina 335</i> și <i>Reglarea adâncimii de pozare a cablului la pagina 333</i> . Dacă eroarea persistă, contactați agentul de service aprobat.

Cod de eroare (număr de aprinderi intermitente)	Erori posibile	Procedură posibilă
8	Bateria este slabă.	Încărcați bateria. Consultați <i>Încărcarea bateriei la pagina 332</i> .
9	Eroare la nivelul bateriei sau nu există semnal de la baterie.	Instalați bateria corect în produs și examinați conectorul bateriei. Dacă LED-ul de eroare de pe baterie se aprinde intermitent, consultați <i>Bateria la pagina 337</i> .
10	Controlul motorului este prea fierbinte.	Opriiți motorul și așteptați să se răcească.
Alte erori	Dacă apar alte erori, scoateți cheia de siguranță și bateria și contactați un agent de service aprobat.	

## Transportul, depozitarea și eliminarea

### Introducere



**AVERTISMENT:** Pentru a preveni pornirea accidentală în timpul transportului, trageți în sus cheia de siguranță, scoateți bateria și așteptați cel puțin 5 secunde.

### Transportul

- Cerințele din legislația privind bunurile periculoase se aplică pentru bateriile Li-ion incluse.
- Pentru transporturile comerciale cerințele speciale de pe ambalaj și etichete trebuie respectate.
- Respectați cu atenție reglementările privind materialele periculoase atunci când pregătiți produsul pentru transport. Pot exista reglementări locale aplicabile.
- Înainte de transport scoateți întotdeauna bateria.
- Aplicați bandă pe bornele bateriei și asigurați-vă că aceasta nu se poate deplasa în timpul transportului.
- Fixați produsul în timpul transportului.

### Depozitarea

- Înainte de a depozita produsul, lăsați-l să se răcească.
- Înainte de depozitare scoateți întotdeauna bateria.
- Pentru a preveni accidentele, asigurați-vă că bateria nu este conectată la produs în timpul depozitării.
- Păstrați încărcătorul într-un spațiu închis și uscat.
- Păstrați bateria și încărcătorul de baterie într-un spațiu uscat unde nu pătrunde umezeala sau înghețul.
- Deconectați bateria de la încărcător în timpul depozitării.
- Nu depozitați bateria într-un loc unde poate apărea electricitatea statică. Nu depozitați bateria într-o cutie metalică.

- Păstrați produsul într-un loc unde temperatura ambiantă este între -10 și 40 °C.
- Păstrați bateria într-un loc unde temperatura este cuprinsă între 5 și 25 °C și departe de lumina soarelui.
- Păstrați încărcătorul de baterii într-un loc unde temperatura este cuprinsă între 5 și 45 °C și departe de lumina soarelui.
- Asigurați-vă că bateria este încărcată în proporție de 30% - 50% înainte de a o depozita pe o perioadă lungă.
- Păstrați produsul, bateria și încărcătorul de baterii într-un loc înlocuit, la care nu au acces copiii și persoanele neavizate.
- Curățați produsul.
- Efectuați procedurile de întreținere descrise în acest manual. Consultați *Program de întreținere la pagina 334*.
- Efectuați un service complet înainte de a depozita produsul pentru o perioadă lungă de timp.

### Dezafectarea

Simbolurile de pe produs sau de pe ambalajul acestuia indică faptul că acest produs nu poate fi tratat ca deșeu menajer. Trebuie trimis la un centru de reciclare corespunzător pentru recuperarea echipamentelor electrice și electronice.

Asigurându-vă că aveți grijă de acest produs în mod corect, puteți contribui la neutralizarea impactului negativ potențial asupra mediului înconjurător și asupra persoanelor; în caz contrar, putând conduce la gestionarea incorectă a deșeurilor acestui produs. Pentru informații mai detaliate referitoare la reciclarea acestui produs, contactați autoritățile, serviciul pentru deșeurii menajere sau magazinul de unde ați achiziționat produsul.

(Fig. 60)

## Date tehnice

<b>Motor de găurit</b>	
Tip de motor	BLDC (fără perii) 36 V
Turația motorului - nominală, rot/min	3000/min
Turația motorului - sarcină ridicată, rot/min	3300/min
Putere motor - maximă, kW	1,8
Putere motor - nominală, kW	1,2
Transmisie	Cutie de viteze mecanică cu angrenaje pentru baia de ulei
Receptor	Tip curea, cu roată de transmisie
<b>Greutate</b>	
Greutate fără baterie, kg	39
Greutate inclusiv 2 x BLi300, kg	43
<b>Baterie</b>	
Tip de baterie	Serie baterie Husqvarna
<b>Timp funcționare baterie</b>	
Durată de funcționare baterie, min <sup>77</sup>	38
<b>Emisii de zgomot <sup>78</sup></b>	
Nivel de putere acustică, măsurat $L_{WA}$ dB(A)	84
Nivel de putere acustică, garantat $L_{WA}$ dB(A)	86
<b>Niveluri de zgomot <sup>79</sup></b>	
Nivel de presiune a sunetului la urechea operatorului, dB(A)	66
<b>Niveluri de vibrații <sup>80</sup></b>	
Măner $m/s^2$	1,8
<b>Echipament de pozare a cablurilor</b>	
Adâncime de pozare a cablului, cm	1-6
Distanța dintre burghiu și marginea roții, mm	250, 270, 290, 310
Burghiu	597 04 84-01

<sup>77</sup> Funcționare liberă, măsurată cu modul standard activat și cu o baterie Husqvarna de 9,4 Ah (BLi300).

<sup>78</sup> Emisiile de zgomot în mediu măsurate ca putere acustică ( $L_{WA}$ ) în conformitate cu directiva CE 2000/14/CE.

<sup>79</sup> Datele raportate pentru nivelul presiunii zgomotului prezintă o dispersie statistică tipică (abatere standard) de 1,2 dB(A).

<sup>80</sup> Datele raportate pentru nivelul de vibrații prezintă o dispersie statistică tipică (abatere standard) de 0,2  $m/s^2$ . Standard de vibrații EN 1032+A1:2009.

Baterii aprobate	Marcă	Tip	Capacitate baterie, Ah	Tensiune, V	Greutate, lb/kg
BLi300	Husqvarna	Litiu-ion	9,4	36	4,1/1,9

Încărcătoare aprobate pentru bateriile specificate, BLi	Marcă	Tensiune de intrare, V	Frecvență, Hz	Putere, W
QC500	Husqvarna	100-240	50-60	500

# Declarație de conformitate

## Declarație de conformitate UE

Noi, **Husqvarna AB**, SE-561 82 Husqvarna, Suedia, tel.:  
+46-36-146500, declarăm pe propria răspundere, că  
produsul:

<b>Descriere</b>	Utilaj de pozat cabluri
<b>Marcă</b>	Husqvarna
<b>Tip/Model</b>	CL400i
<b>Identificare</b>	Numere de serie începând cu 2022 și ulterior

respectă în totalitate următoarele directive și  
reglementări UE:

<b>Reglementare</b>	<b>Descriere</b>
2006/42/CE	„privind utilajele”
2014/30/UE	„aferență compatibilității electromagnetice”
2011/65/UE	„privind restricțiile de utilizare a anumitor substanțe periculoase la echipamente electrice și electronice”

și că au fost aplicate următoarele standarde și/sau  
specificații tehnice: EN ISO 12100:2010, EN ISO  
14119:2013, EN ISO 14120:2015, EN ISO 13857:2019,  
EN 62841-1:2015+AC:2015, EN ISO 11202:2010, EN  
1032:2009, EN 55014-1:2017, EN 55014-2:2015, EN  
63000:2018.

Pentru informații privind emisiile de zgomot, consultați  
*Date tehnice la pagina 339.*

Husqvarna, 2022-03-21



Claes Losdal, Director de Dezvoltare / Produse de  
grădinărit, Husqvarna AB

Responsabil pentru documentația tehnică



---

## Содержание

---

Введение.....	342	Поиск и устранение неисправностей.....	354
Безопасность.....	343	Транспортировка, хранение и утилизация.....	357
Сборка.....	349	Технические данные.....	358
Эксплуатация.....	349	Декларация о соответствии.....	360
Техническое обслуживание.....	353		

---

## Введение

---

### Описание изделия

Изделие представляет собой устройство для прокладки кабелей с пешеходным управлением.

роботов в земле. Запрещается использовать изделие для других видов работ.

### Назначение

Используйте изделие для укладки ограничительного и направляющего проводов для газонокосилок-

### Обзор изделия

(Рис. 1)

1. Скоба управления бурением
2. Скоба наклона рукоятки
3. Скоба привода
4. Счетчик
5. Устройство сматывания кабеля
6. Подающая пластина
7. Бур
8. Панель управления
9. Предохранительный ключ
10. Аккумулятор (принадлежность)
11. Зарядное устройство аккумулятора (принадлежность)
12. Руководство по эксплуатации

(Рис. 8) Запрещается эксплуатировать или оставлять изделие под дождем.

(Рис. 9) Используйте защитную маску.

(Рис. 10) Режим ожидания (черная кнопка).

(Рис. 10) Запуск и остановка двигателя (красная кнопка).

(Рис. 11) Запрещается утилизировать данное изделие и его упаковку в качестве бытовых отходов. Изделие необходимо передать в пункт переработки электрического и электронного оборудования.

### Символы на изделии

(Рис. 2) ПРЕДУПРЕЖДЕНИЕ

(Рис. 12) Изделие соответствует действующим директивам ЕС.

(Рис. 3) Предупреждение. Вращающиеся части. Не допускается контакт с руками и ногами.

(Рис. 13) Данное изделие отвечает требованиям действующих директив Великобритании.

(Рис. 4) Берегитесь отскакивающих предметов и рикошетов.

(Рис. 14) Табличка с уровнем эмиссии шума в окружающую среду в соответствии с директивами и нормативами Европейского союза, Великобритании и законодательством Нового Южного Уэльса "Регламент 2017 года по защите окружающей среды (контроль уровня шума)". Гарантированный уровень мощности звука изделия указан в разделе *Технические данные на стр. 358* и на табличке.

(Рис. 5) Прочтите инструкции.

(Рис. 6) Следите за тем, чтобы в зоне проведения работ не было людей и животных.

(Рис. 7) Опасность травмы глаз для находящихся поблизости людей.

(Рис. 15) Данное изделие имеет защиту от брызг.

**Примечание:** Другие символы/наклейки на изделии относятся к специальным требованиям сертификации на определенных рынках.

## Повреждение изделия

Мы не несем ответственности за повреждение изделия в следующих случаях:

- ненадлежащий ремонт изделия;
- использование для ремонта изделия неоригинальных деталей или деталей, не одобренных производителем;
- использование неоригинальных дополнительных принадлежностей или принадлежностей, не одобренных производителем;
- ремонт изделия в неавторизованном сервисном центре или неквалифицированным специалистом.

# Безопасность

## Инструкции по технике безопасности

Предупреждения, предостережения и примечания используются для выделения особо важных пунктов руководства.



### **ПРЕДУПРЕЖДЕНИЕ:**

Используется, когда несоблюдение инструкций руководства может привести к травмам или смерти оператора или находящихся рядом посторонних лиц.



**ВНИМАНИЕ:** Используется, когда несоблюдение инструкций руководства может привести к повреждению изделия, других материалов или прилегающей территории.

**Примечание:** Используется для предоставления дополнительных сведений о конкретной ситуации.

## Общие меры предосторожности при работе с агрегатом



### **ПРЕДУПРЕЖДЕНИЕ:**

Ознакомьтесь со всеми предупреждениями, инструкциями, иллюстрациями и положениями, касающимися техники безопасности и прилагаемыми к данному агрегату. Несоблюдение всех указанных ниже инструкций может привести к поражению электрическим током, пожару и/или тяжелым травмам.

Сохраните все предупреждающие указания и инструкции для последующего обращения. Под словом "агрегат" в данном документе понимается электрический агрегат, работающий от сети (проводной) либо от аккумулятора (беспроводной).

## Техника безопасности на рабочем месте

- **Рабочее место должно содержаться в чистоте и быть хорошо освещено.** Загромождения или отсутствие освещения могут стать причиной несчастных случаев.
- **Не пользуйтесь агрегатом во взрывоопасной атмосфере, например, в присутствии легковоспламеняющихся жидкостей, газов или пыли.** Агрегат производит искры, которые могут воспламенить пыль или пары жидкостей.
- **Не допускайте приближения детей и посторонних лиц к вам во время работы агрегата.** Это может отвлечь ваше внимание и привести к потере управления.

## Электрическая безопасность

- **Вилка агрегата должна соответствовать электрической розетке. Запрещается изменять конструкцию вилки. Запрещается использовать переходники при работе с заземленными агрегатами.** Отсутствие изменений в конструкции вилок и их соответствие розеткам снижает опасность поражения электрическим током.
- **Избегайте контакта любых частей тела с заземленными поверхностями, такими как трубы, батареи отопления, кухонные плиты и холодильники.** Заземление тела увеличивает риск поражения электрическим током.
- **Не подвешивайте агрегаты воздействию воды или высокой влажности.** Попадание воды внутрь агрегата увеличивает риск поражения электрическим током.
- **Используйте шнур только по прямому назначению. Никогда не носите и не тяните агрегат за шнур и не дергайте за него, чтобы выключить агрегат из розетки.** Держите шнур вдали от источников тепла, масла, острых углов или движущихся деталей. Эксплуатация поврежденного или запутанного шнура увеличивает риск поражения электротоком.
- **При работе с агрегатом вне помещений используйте подходящий удлинитель для наружных работ.** Применение шнура, предназначенного для уличного использования,

снижает опасность поражения электрическим током.

- Если неизбежно требуется применение агрегата во влажной среде, используйте источник питания, оснащенный устройством защитного отключения (УЗО). Применение УЗО снижает опасность поражения электрическим током.

## Личная безопасность

- При работе с агрегатом будьте бдительны, следите за своими действиями и руководствуйтесь здравым смыслом. Не используйте агрегат, если вы устали или находитесь под воздействием наркотических средств, алкоголя или лекарств. Малейшая невнимательность при работе с агрегатом может обернуться серьезными травмами.
- Пользуйтесь средствами индивидуальной защиты. Всегда носите защитные очки. Средства индивидуальной защиты, такие как респиратор, нескользящая защитная обувь, каска или средства защиты органов слуха, существенно снижают риск получения травм.
- Примите меры по предотвращению случайного включения агрегата. Перед подключением агрегата к источнику питания и/или аккумуляторному блоку, его подъемом или переноской убедитесь, что переключатель находится в выключенном положении. Не переносите агрегат, держа палец на переключателе, а также не подавайте питание на агрегаты с включенным переключателем, т.к. это может привести к несчастному случаю.
- Уберите все гаечные и регулировочные ключи, прежде чем включать агрегат. Ключ, оставленный на вращающейся части агрегата, может стать причиной травмы.
- Не вытягивайте руки с агрегатом слишком далеко. Всегда сохраняйте равновесие и устойчиво ставьте ноги. Это позволит лучше контролировать агрегат в случае возникновения непредвиденной ситуации.
- Надевайте соответствующую одежду. Не надевайте свободную одежду или украшения. Не допускайте попадания волос и одежды в движущиеся части агрегата. Свободная одежда, украшения или длинные волосы могут попасть в движущиеся части.
- Если агрегат может дополнительно оснащаться устройствами для сбора и удаления пыли, убедитесь, что они подключаются и используются надлежащим образом. Такие устройства способствуют снижению опасностей, связанных с наличием пыли.
- Не допускайте, чтобы чувство уверенности, приобретенное вследствие частого использования агрегата, позволило вам забыть об опасностях и игнорировать принципы обеспечения безопасности. Неосторожные

действия могут привести к тяжелой травме за долю секунды.

## Эксплуатация агрегата и уход за ним

- Не перегружайте агрегат. Убедитесь, что агрегат подходит для выполнения конкретной задачи. Правильно подобранный агрегат лучше и надежнее справится с задачей, соответствующей его конструктивным характеристикам.
- Не пользуйтесь агрегатом, если его переключатель не работает. Если управление агрегатом с помощью переключателя невозможно, такой агрегат представляет опасность и подлежит обязательному ремонту.
- Прежде чем производить какую-либо настройку агрегата, заменять принадлежности или убирать его на хранение, отключите агрегат от источника питания и/или снимите аккумуляторный блок (если снимается). Эти меры предосторожности позволяют исключить риск случайного включения агрегата.
- Храните неиспользуемые агрегаты в недоступном для детей месте и не позволяйте работать с агрегатом лицам, не ознакомленным с ним и с данными правилами техники безопасности. Агрегаты в руках неопытных пользователей являются источником опасности.
- Поддерживайте агрегат и принадлежности в надлежащем состоянии. Проверяйте точность настройки и отсутствие заедания движущихся частей, отсутствие поломанных деталей и иных неисправностей, которые могут нарушить работу агрегата. В случае обнаружения какой-либо неисправности устраните ее перед использованием агрегата. Многие несчастные случаи возникают из-за недостаточно тщательного ухода за агрегатами.
- Поддерживайте остроту и чистоту режущих инструментов. Исправные режущие инструменты с острыми режущими кромками меньше подвержены поломкам и более просты в управлении.
- Используйте агрегат, принадлежности, наконечники и т. д. в соответствии с данными инструкциями, принимая во внимание условия работы и специфику выполняемой задачи. Применение агрегата не по назначению может создать опасные ситуации
- Рукоятки и поверхности захвата должны быть сухими и чистыми, без следов масла и смазки. Скользкие рукоятки и поверхности захвата препятствуют безопасному обращению и управлению агрегатом в непредвиденных ситуациях.

## Сервисное обслуживание

- Сервисное обслуживание агрегата должны выполнять квалифицированные специалисты по ремонту оборудования с использованием



только идентичных запчастей. Это гарантирует безопасность эксплуатации агрегата.

- **Никогда не выполняйте обслуживание поврежденных аккумуляторных блоков.** Обслуживание аккумуляторных блоков должно выполняться только производителем или специалистами авторизованных сервисных центров.

## Эксплуатация и обслуживание аккумуляторного инструмента

- **Выполняйте подзарядку только с помощью зарядного устройства, указанного производителем.** Зарядное устройство, подходящее для одного типа блока аккумуляторов, может создать возгорание при использовании с блоком аккумуляторов другого типа.
- **Используйте оборудование только со специально предназначенными блоками аккумуляторов.** Использование других блоков аккумуляторов может создать опасность травмы или возгорания.
- **Когда блок аккумуляторов не используется, храните его вдали от других металлических предметов, таких как скрепки, монеты, ключи, гвозди, винты или прочие мелкие предметы, которые могут замкнуть клеммы аккумулятора.** Замыкание клемм аккумулятора может привести к ожогам или пожару.
- **При неправильном обращении из аккумулятора может вытечь жидкость; не допускайте контакта с вытекшей жидкостью.** При случайном прикосновении промойте место соприкосновения водой. При попадании жидкости в глаза обратитесь за медицинской помощью. Вытекающая из аккумулятора жидкость может привести к раздражению или ожогу.
- **Запрещается использовать блок аккумуляторов или инструмент, если они повреждены или модифицированы.** Поврежденные или подвергнутые модификации аккумуляторы могут работать неисправно, что приведет к возникновению пожара, взрыва или риску травм.
- **Не подвергайте блок аккумуляторов или инструмент воздействию огня или чрезмерно высоким температурам.** Воздействие огня или температуры выше 130°C / 265°F может привести к взрыву.
- **Точно следуйте всем инструкциям по зарядке и ни в коем случае не заряжайте блок аккумуляторов или инструмент при температуре, выходящей за пределы указанного в инструкциях диапазона.** Неадекватная зарядка или зарядка при температуре выше или ниже указанного диапазона может привести к повреждению аккумулятора и повышенному риску пожара.

## Общие инструкции по технике безопасности



**ПРЕДУПРЕЖДЕНИЕ:** В обязательном порядке прочитайте следующие инструкции по технике безопасности, прежде чем приступить к эксплуатации изделия.

- При небрежном или неправильном обращении изделие может представлять собой опасность. Несоблюдение инструкций по технике безопасности может привести к травмам или смерти.
- Во время работы данное изделие создает электромагнитное поле. В определенных обстоятельствах это поле может создавать помехи для пассивных и активных медицинских имплантатов. В целях снижения риска серьезной или смертельной травмы лицам с медицинскими имплантатами рекомендуется проконсультироваться с врачом и изготовителем имплантата, прежде чем приступить к эксплуатации данного изделия.
- Всегда соблюдайте осторожность и руководствуйтесь здравым смыслом. Если вы не уверены, как правильно эксплуатировать изделие в определенной ситуации, прекратите работу и проконсультируйтесь с дилером Husqvarna, прежде чем продолжать.
- Помните: ответственность за несчастные случаи, угрожающие другим людям или их имуществу, несет оператор изделия.
- Содержите изделие в чистоте. Следите за тем, чтобы знаки и наклейки были легко читаемыми.
- Ни в коем случае не позволяйте использовать оборудование детям или лицам, не ознакомившимся с данными инструкциями. Допустимый возраст пользователя может быть ограничен местным законодательством.
- Не оставляйте без присмотра людей с физическими или умственными нарушениями, использующих изделие. Они должны постоянно находиться под присмотром взрослого.
- Ни в коем случае не используйте изделие, если вы устали, больны или находитесь под воздействием алкоголя, наркотических веществ или лекарственных препаратов. Это может повлиять на ваше зрение, реакцию, координацию или оценку действительности.
- Не используйте изделие, если оно повреждено или работает неправильно.
- Запрещается вносить изменения в изделие или использовать его, если вы подозреваете, что конструкция была модифицирована.



**ПРЕДУПРЕЖДЕНИЕ:** В обязательном порядке прочитайте следующие инструкции по технике безопасности, прежде чем приступить к эксплуатации изделия.

- Используйте изделие для укладки ограничительного и направляющего проводов для газонокосилок-роботов в земле. Запрещается использовать изделие для других видов работ.
- Пользуйтесь средствами индивидуальной защиты. См. раздел *Средства индивидуальной защиты на стр. 347*.
- Убедитесь, что вы знаете, как быстро остановить двигатель в аварийной ситуации.
- Запрещается эксплуатировать изделие под дождем или в условиях высокой влажности. При попадании воды внутрь изделия повышается риск поражения электрическим током.
- Запрещается использовать изделие, если бур и кожухи установлены неправильно. Неправильно установленный бур может выскочить и стать причиной травмы.
- Уберите ветви, сучья, камни и прочие посторонние предметы из рабочей зоны перед началом эксплуатации изделия.
- Предметы, ударяющиеся об оборудование для прокладки кабелей, могут быть отброшены, что приведет к травмам или повреждению имущества. Следите за тем, чтобы посторонние лица и животные находились на безопасном расстоянии от изделия.
- Ни в коем случае не используйте изделие при неблагоприятных погодных условиях, например, в туман, дождь, при сильном ветре, низких температурах и риске удара молнии. Эксплуатация изделия при плохих погодных условиях или на сырых участках утомительна. Плохие погодные условия могут создавать опасные условия для работы, например, скользкие поверхности.
- Следите за возможным появлением посторонних лиц, предметов или условий, которые могут препятствовать безопасной эксплуатации изделия.
- Следите за возможным появлением препятствий, таких как корни, камни, сучья, ямы или рвы. Высокая трава может скрывать препятствия.
- Запрещается использовать изделие на участках с уклоном более 15°.
- При смене направления движения на склоне проявляйте повышенную осторожность. Используйте изделие попеременно поверхностью склона. Не передвигайтесь вверх и вниз по поверхности склона.
- Проявляйте особую осторожность при приближении к скрытым из видимости поворотам или предметам, которые могут затруднять обзор.
- Следите за тем, чтобы бур не ударялся о посторонние предметы, например камни и корни. Это может привести к повреждению бура и искривлению вала двигателя. При искривлении вала двигателя увеличивается уровень вибрации, что может привести к высвобождению бура.
- В случае удара бура о посторонний предмет или возникновения вибрации незамедлительно остановите изделие. Остановите двигатель, вытяните предохранительный ключ и извлеките аккумулятор. Дождитесь остановки движущихся частей. Проверьте изделие на наличие повреждений. Затяните ослабленные детали. Выполните ремонт и замену поврежденных деталей. Обратитесь в авторизованный сервисный центр для выполнения ремонта.
- Во время работы двигателя скоба управления бурением не должна быть постоянно прижата к рукоятке изделия.
- При запуске изделие должно находиться на устойчивой ровной поверхности.
- При работе с изделием всегда стойте сзади.
- Во время работы все колеса изделия должны находиться на земле; держите рукоятку обеими руками.
- Не приближайте руки или ноги к вращающемуся буру.
- Не наклоняйте изделие при запуске двигателя или во время работы.
- Соблюдайте осторожность, когда тянете изделие назад.
- Запрещается поднимать изделие во время работы двигателя. В случае необходимости поднять изделие сначала выключите двигатель, вытяните предохранительный ключ и извлеките аккумулятор.
- При работе с изделием запрещается двигаться назад.
- Если изделие необходимо наклонить для транспортировки, отпустите скобу управления бурением, чтобы остановить процесс бурения.
- Запрещается бегать с изделием во время работы двигателя. Работайте с изделием в спокойном темпе.
- Выключите двигатель, прежде чем менять глубину прокладки кабеля. Запрещается выполнять регулировки при работающем двигателе.
- Ни в коем случае не выпускайте изделие из вида при работающем двигателе. Остановите двигатель и убедитесь, что бур не вращается.
- Вибрации изделия во время работы могут отличаться от заявленного значения, приведенного в разделе *Технические данные на стр. 358*. Эта разница объясняется зависимостью

уровня вибрации от условий эксплуатации изделия. При частом или продолжительном использовании изделия регулярно делайте перерывы во избежание травм от вибрации.

## Инструкции по технике безопасности во время эксплуатации

В обязательном порядке прочитайте следующие инструкции, прежде чем приступить к эксплуатации изделия.

- Убедитесь, что кабель в направляющей трубке не поврежден.
- Убедитесь, что трубка в подающей пластине не повреждена. Замените трубку, если она изношена или повреждена.

(Рис. 16)

- Убедитесь, что кромка у отверстия не острая и не повреждена. Если направляющая трубка для кабеля повреждена, замените ее.
- Убедитесь, что все винты затянуты.
- Убедитесь, что все рычаги находятся в нейтральном положении.

## Средства индивидуальной защиты



**ПРЕДУПРЕЖДЕНИЕ:** В обязательном порядке прочитайте следующие инструкции по технике безопасности, прежде чем приступить к эксплуатации изделия.

- Средства индивидуальной защиты не могут полностью исключить риск получения травмы, но при несчастном случае они снижают тяжесть травмы. За помощью по правильному выбору оборудования обращайтесь к дилеру.
- Используйте прочные, противоскользящие ботинки. Запрещается надевать открытую обувь или работать босиком.
- Надевайте прочные длинные брюки.
- При необходимости надевайте защитные перчатки, например, при закреплении, проверке или очистке оборудования для прокладки кабелей.
- Рекомендуется использовать защитные наушники.

## Защитные устройства на изделии



**ПРЕДУПРЕЖДЕНИЕ:** В обязательном порядке прочитайте следующие инструкции по технике безопасности, прежде чем приступить к эксплуатации изделия.

- Не используйте изделие, если защитные устройства повреждены или работают неправильно.

- Запрещается снимать защитные устройства или вносить в них какие-либо изменения.
- Регулярно выполняйте проверку защитных устройств. Если защитные устройства повреждены или работают неправильно, обратитесь в сервисный центр Husqvarna.

## Предохранительный ключ

Предохранительный ключ расположен под крышкой аккумулятора. Предохранительный ключ подключает аккумулятор, от которого на двигатель поступает питание.

## Проверка предохранительного ключа

Предохранительный ключ подключает аккумулятор, от которого на двигатель поступает питание.

- Запустите и остановите двигатель. Если предохранительный ключ работает исправно, то двигатель можно запустить только при установке ключа в предохранительный замок.

## Скоба управления бурением

Скоба управления бурением останавливает бур. При отпуске скобы управления бурением бур останавливается.

Чтобы проверить скобу управления бурением, запустите двигатель, а затем отпустите скобу управления бурением. Если бур не останавливается в течение 3 секунд, обратитесь в авторизованный сервисный центр Husqvarna.

(Рис. 17)

## Техника безопасности при работе с аккумулятором



**ПРЕДУПРЕЖДЕНИЕ:** В обязательном порядке прочитайте следующие инструкции по технике безопасности, прежде чем приступить к эксплуатации изделия.

- Используйте перезаряжаемые аккумуляторы Husqvarna только с теми изделиями Husqvarna, для которых они предназначены. Во избежание травм запрещается использовать аккумулятор в качестве источника питания для других устройств.
- Запрещается использовать одноразовые аккумуляторы.
- Риск поражения электрическим током. Не допускайте контакта клемм аккумулятора с ключами, монетами, винтами или другими металлическими предметами. Это может привести к короткому замыканию аккумулятора.
- Не размещайте посторонние предметы на воздухозаборниках аккумулятора.
- Аккумулятор не должен подвергаться воздействию солнечного света, тепла или

открытого пламени. Аккумулятор может взорваться и стать причиной ожогов, в том числе химических.

- Защищайте аккумулятор от дождя и сырости.
- Не подвергайте аккумулятор воздействию микроволн и высокого давления.
- Не пытайтесь разбирать или ломать аккумулятор.
- При возникновении утечки из аккумулятора не допускайте попадания жидкости на кожу или в глаза. При контакте с жидкостью промойте затронутый участок большим количеством воды и обратитесь за медицинской помощью.
- Используйте аккумулятор в изделии только при температуре окружающей среды в диапазоне от 5 до 40 °C.
- Используйте зарядное устройство только при температуре окружающей среды в диапазоне от 5 до 40 °C.
- Аккумулятор не будет заряжаться, если его температура превышает 50 °C.
- Очистка аккумулятора или зарядного устройства водой запрещена. См. раздел *Очистка аккумулятора и зарядного устройства на стр. 354*.
- Запрещается использовать поврежденный аккумулятор.
- Храните аккумуляторы вдали от металлических предметов, таких как гвозди, монеты или ювелирные изделия.

## Техника безопасности при работе с зарядным устройством для аккумулятора



**ПРЕДУПРЕЖДЕНИЕ:** В обязательном порядке прочитайте следующие инструкции по технике безопасности, прежде чем приступить к эксплуатации изделия.

- Для зарядки перезаряжаемых аккумуляторов Husqvarna используйте только зарядные устройства QC.
- Риск поражения электрическим током или короткого замыкания. Не размещайте посторонние предметы на воздухозаборниках зарядного устройства. Не пытайтесь разбирать зарядное устройство. Запрещается подключать клеммы зарядного устройства к металлическим предметам. Используйте одобренную сетевую розетку.
- Во время работы данное изделие создает электромагнитное поле. В определенных обстоятельствах это поле может создавать помехи для пассивных и активных медицинских имплантатов. В целях снижения риска серьезной или смертельной травмы лицам с медицинскими имплантатами рекомендуется проконсультироваться с врачом и изготовителем имплантата, прежде чем приступить к эксплуатации данного изделия.

- Регулярно проверяйте шнур питания зарядного устройства на отсутствие повреждений или трещин.
- Не поднимайте зарядное устройство за шнур питания. Для отсоединения зарядного устройства от сетевой розетки потяните за вилку. Не тяните за шнур питания.
- Не допускайте контакта шнура питания и удлинителя с водой, маслом или острыми краями. Проверьте, что шнур не застрял в двери, заборе и т.д. В противном случае зарядное устройство может оказаться под напряжением.
- Запрещается очищать зарядное устройство водой.
- Дети старше 8 лет и лица с ограниченными физическими, сенсорными или умственными способностями или недостатком опыта и знаний могут использовать зарядное устройство только под надзором или после ознакомления с инструкциями относительно безопасной эксплуатации зарядного устройства и возможными рисками. Не позволяйте детям играть с зарядным устройством. Очистка и техническое обслуживание не должны проводиться детьми без надзора.
- Запрещается заряжать одноразовые аккумуляторы в зарядном устройстве.
- Запрещается использовать зарядное устройство вблизи легковоспламеняющихся материалов и материалов, которые вызывают коррозию. Не накрывайте зарядное устройство. В случае появления дыма или огня извлеките вилку зарядного устройства из розетки.
- Запрещается использовать поврежденное зарядное устройство.
- Заряжайте аккумулятор только в хорошо проветриваемом помещении вдали от солнечных лучей. Запрещается заряжать аккумулятор в условиях высокой влажности.

## Инструкции по технике безопасности во время технического обслуживания



**ПРЕДУПРЕЖДЕНИЕ:** В обязательном порядке прочитайте следующие инструкции по технике безопасности, прежде чем приступить к эксплуатации изделия.

- Перед выполнением технического обслуживания изделия извлеките предохранительный ключ.
- Чтобы продлить срок службы изделия и снизить вероятность несчастных случаев, соблюдайте все требования к проведению обслуживания. Для проведения ремонта обратитесь в авторизованный сервисный центр. Для получения дополнительной информации

- обратитесь в ближайшее представительство компании.
- Выполняйте техобслуживание строго в соответствии с инструкциями, приведенными в руководстве по эксплуатации.
  - При работе с оборудованием для прокладки кабелей используйте прочные защитные перчатки.
  - Для повышения качества и безопасности работы регулярно очищайте изделие.
  - Регулярно обращайтесь в сервисный центр для проверки изделия и выполнения необходимых регулировок и ремонта.

- Замените поврежденные, сломанные или изношенные детали.
- Соблюдайте указания по замене принадлежностей. Пользуйтесь только оригинальными принадлежностями.
- Храните изделие, аккумулятор и зарядное устройство по отдельности в сухом помещении под замком. Не допускайте к изделию, аккумулятору и зарядному устройству детей и лиц, не имеющих соответствующего разрешения.

---

## Сборка

---

### Введение



**ПРЕДУПРЕЖДЕНИЕ:** Перед сборкой изделия внимательно изучите раздел техники безопасности.

### Установка бура

1. Вставьте бур (A) в головку (B) и установите длинный винт (C). (Рис. 18)

**Примечание:** Для установки бура необходим шестигранный ключ на 6 мм.

2. Установите головку на вал (D) с помощью короткого винта (E).
3. Затяните винты.

### Прокладка кабеля

Изделие оснащено устройством сматывания кабеля с муфтой, которое можно снять.

1. Поместите кабель на устройство сматывания. Используйте регулятор для вращения устройства сматывания кабеля по часовой стрелке.

**Примечание:** Кабель необходимо наматывать на устройство сматывания по часовой стрелке, чтобы он надлежащим образом разматывался во время работы. (Рис. 19)

2. Вставьте кабель в трубку в подающей пластине (A) так, чтобы его конец вышел из нижней части (B) приблизительно на 5 см. (Рис. 20)

### Установка и снятие устройства сматывания кабеля

1. Ослабьте регулятор (A). (Рис. 21)
2. Снимите фиксатор (B).
3. Снимите устройство сматывания кабеля (C).
4. Установите устройство сматывания кабеля (D). При необходимости используйте адаптер. (Рис. 22)
5. Установите фиксатор (E) и затяните регулятор (F).

---

## Эксплуатация

---

### Введение



**ПРЕДУПРЕЖДЕНИЕ:** Перед эксплуатацией прибора необходимо внимательно изучить раздел безопасности.

### Husqvarna Fleet Services™

Husqvarna Fleet Services™ представляет собой облачное решение, которое позволяет оператору получать информацию обо всех подключенных устройствах. На данном изделии возможна установка датчика Husqvarna Fleet Services™. Датчик

Husqvarna Fleet Services™ собирает данные об изделии и позволяет подключиться к системе Husqvarna Fleet Services™. Система Husqvarna Fleet Services™ сообщает такие сведения, как время работы, интервалы обслуживания и местоположение изделия.

Для получения дополнительной информации о Husqvarna Fleet Services™ скачайте приложение Husqvarna Fleet Services™ или обратитесь к представителю Husqvarna.

### Подготовка датчика (принадлежность)

1. Используйте ключ датчика, чтобы открыть крышку датчика. (Рис. 23)

2. Снимите датчик.
3. Подключите аккумулятор к датчику. Загорится светодиодный индикатор датчика. (Рис. 24)
4. Скачайте приложение Husqvarna Fleet Services™.
5. Войдите в учетную запись в приложении Husqvarna Fleet Services™.
6. Выполните сопряжение. См. раздел *Выполнение сопряжения между приложением и изделием на стр. 350*

### Выполнение сопряжения между приложением и изделием

1. Войдите в учетную запись в приложении Husqvarna Fleet Services™.
2. Выберите изделие в приложении.
3. Отсканируйте код на задней части датчиком с помощью своего мобильного устройства, чтобы добавить датчик в приложение.

**Примечание:** Сопряжение между приложением и изделием необходимо выполнить только один раз.

### Установка датчика

1. Убедитесь, что датчик подсоединен к приложению Husqvarna Fleet Services™. См. раздел *Выполнение сопряжения между приложением и изделием на стр. 350*.
2. Просверлите 2 отверстия по меткам в пазе корпуса. (Рис. 25)

**Примечание:** Убедитесь, что отверстия соответствуют размерам заклепок, поставляемых с датчиком.

3. С помощью плоскогубцев снимите внешние части с отверстиями с пазов датчика. (Рис. 26)
4. Просверлите 2 отверстия по меткам в пазе датчика. (Рис. 27)
5. Совместите паз датчика с пазом корпуса. (Рис. 28)
6. Закрепите паз датчика заклепками.
7. Установите датчик в соответствующий паз. Совместите белую метку на датчике с меткой на пазе датчика. (Рис. 29)
8. Закройте крышку датчика и зафиксируйте ее с помощью ключа датчика. Убедитесь, что верхняя часть буквы "H" логотипа Husqvarna направлена в сторону от предохранительного ключа. (Рис. 30)

### Аккумулятор



**ПРЕДУПРЕЖДЕНИЕ:** Перед эксплуатацией аккумулятора ознакомьтесь с разделом, посвященным безопасности, и усвойте его содержание.

Прочтите и усвойте также все сведения, приведенные в руководстве по эксплуатации аккумулятора и зарядного устройства.

Храните аккумулятор и зарядное устройство при допустимой температуре окружающей среды.

	Температура окружающей среды
Эксплуатация аккумулятора	от 5 до 40 °C
Зарядка аккумулятора	от 5 до 40 °C

### Состояние аккумулятора

Дисплей отображает оставшуюся емкость аккумулятора и наличие в нем неисправностей. Емкость аккумулятора отображается на дисплее в течение 5 секунд после отключения агрегата или после нажатия кнопки-индикатора аккумулятора. Предупреждающий знак на аккумуляторе загорается в случае возникновения ошибки. См. раздел *Аккумулятор на стр. 355*.

(Рис. 31)

Светодиодные индикаторы	Состояние аккумулятора
Все светодиоды горят	Аккумулятор полностью заряжен (75-100 %).
Светодиоды 1, 2, 3 горят.	Заряд аккумулятора — 50-75 %.
Светодиоды 1, 2 горят.	Заряд аккумулятора — 25-50 %.
Светодиод 1 горит.	Заряд аккумулятора — 0-25 %.
Светодиод 1 мигает.	Аккумулятор разряжен. Зарядите аккумулятор.

### Зарядка аккумулятора

Зарядите аккумулятор перед первым использованием. Поставляемый аккумулятор заряжен только на 30%.

**Примечание:** Подсоединяйте зарядное устройство к сети питания с напряжением и частотой, указанными на паспортной табличке.

Зарядка не выполняется, если температура аккумулятора превышает 50°C. Прежде чем начать зарядку, зарядное устройство охлаждает аккумулятор до приемлемой температуры.

1. Вставьте один конец силового кабеля зарядного устройства в гнездо зарядного устройства.
2. Второй конец силового кабеля зарядного устройства вставьте в заземленную розетку сети электропитания. Светодиод на зарядном устройстве мигнет зеленым цветом один раз. (Рис. 32)
3. Вставьте аккумулятор в зарядное устройство. При правильном подключении аккумулятора к зарядному устройству загорается индикатор зеленого цвета. (Рис. 33)
4. Когда на аккумуляторе загорятся все светодиоды, это означает полную зарядку. Длительность зарядки аккумулятора не должна превышать 24 часа.
5. Чтобы отсоединить зарядное устройство от розетки, потяните не за кабель, а за штекер.
6. Извлеките аккумулятор из зарядного устройства.

### Состояние зарядки аккумулятора

Литий-ионный аккумулятор Husqvarna можно заряжать и использовать при любом уровне зарядки. Это не приведет к повреждению аккумулятора. Полностью заряженный аккумулятор не разряжается, даже если оставить его в зарядном устройстве.

Светодиодный дисплей	Состояние процесса зарядки
Светодиод 1 мигает.	0%-25%
Светодиод 1 горит, светодиод 2 мигает.	25%-50%
Светодиоды 1, 2 горят, светодиод 3 мигает.	50%-75%
Светодиоды 1, 2, 3 горят, светодиод 4 мигает.	75%-100%
Горят светодиоды 1, 2, 3, 4	Полный уровень заряда

### Перед началом эксплуатации изделия

1. В летний период или при сухой почве необходимо полить грунт водой за день до выполнения работ.
2. Люди и животные должны находиться на расстоянии не менее 20 м от изделия.
3. Поместите кабель на устройство сматывания. См. раздел *Прокладка кабеля на стр. 349*.
4. Отрегулируйте глубину прокладки кабеля. См. раздел *Регулировка глубины прокладки кабеля на стр. 351*.
5. Закрепите конец кабеля на кольшке.

### Запуск изделия

1. Наклоните рукоятку в сторону. См. раздел *Наклон рукоятки на стр. 352*.
2. Откройте крышку аккумуляторного отсека.
3. Вставьте заряженный аккумулятор в слот № 1 под крышкой аккумуляторного отсека. Чтобы продлить время работы, вставьте второй заряженный аккумулятор в слот № 2.
4. Отсоедините предохранительный ключ от держателя предохранительного ключа.
5. Вставьте предохранительный ключ в предохранительный замок. (Рис. 34)
6. Встаньте позади изделия.
7. Нажмите кнопку режима ожидания (А) на панели управления. Загорится индикатор режима ожидания (В). (Рис. 35)
8. Нажмите кнопку запуска/останова (С), пока она не останется в нажатом положении. Будет запущен двигатель.



**ВНИМАНИЕ:** Не эксплуатируйте изделие, если предупреждающий индикатор (D) мигает красным светом.

9. Прижмите скобу управления бурением к рукоятке, чтобы начать бурение. (Рис. 36)

### Использование привода колес

- Потяните скобу управления приводом в направлении рукоятки, чтобы запустить привод колес. (Рис. 37)
- Отпустите скобу управления приводом, чтобы отключить привод колес.

### Регулировка глубины прокладки кабеля

1. Ослабьте регулятор (А). (Рис. 38)
2. Установите опорное колесо (В) на необходимую глубину прокладки кабеля и затяните регулятор.

**Примечание:** Цифры (С) на боковой стороне трубки опорного колеса показывают глубину прокладки кабеля в сантиметрах. Глубину прокладки кабеля можно регулировать в диапазоне 1–6 см.

### Регулировка высоты рукоятки

Высоту рукоятки можно установить на 5 уровней.

1. Поверните рукоятку (А) против часовой стрелки, чтобы ослабить ее, и снимите регулятор (В). (Рис. 39)
2. Отрегулируйте высоту рукоятки и установите регулятор в отверстие ближайшего положения.

3. Поверните ручку по часовой стрелке, чтобы затянуть ее.

## Наклон рукоятки

Во избежание столкновения с препятствиями во время работы можно наклонять рукоятку. Рукоятка может быть наклонена вправо (4 положения) и влево (4 положения).

1. Потяните скобу наклона рукоятки (А) в направлении рукоятки и удерживайте ее в этом положении. Скоба наклона рукоятки находится в нижней левой части рукоятки. (Рис. 40)
2. Наклоните рукоятку влево или вправо в одно из четырех положений и отпустите скобу наклона рукоятки. Убедитесь, что штифт, фиксирующий положение рукоятки, находится в одном из пазов. (Рис. 41)

## Блокировка поворота подающей пластины

Для повышения точности прокладки длинных секций кабеля по прямой линии можно заблокировать поворот подающей пластины.

- Убедитесь, что подающая пластина выровнена так же, как изделие, и затяните ручку (А). (Рис. 42)

## Регулировка направляющей трубки для кабеля

Изделие отрегулировано для кабелей диаметром 4 мм. Если диаметр кабеля больше, необходимо отрегулировать направляющую трубку для кабеля.

1. Ослабьте 2 винта. (Рис. 43)
2. Переместите направляющую трубку для кабеля на несколько миллиметров вверх.
3. Затяните 2 винта.

## Регулировка ширины колеи

Положение колес можно регулировать для обеспечения различной ширины колеи. Предусмотрено 4 регулировочных отверстия на оси слева и 4 регулировочных отверстия на оси справа. Ширину колеи можно установить на 250, 270, 290 или 310 мм от центра бура. (Рис. 44)

1. Извлеките штифт (А).
2. Отрегулируйте колеса до необходимой ширины колеи.
3. Вставьте штифт в одно из 4 отверстий (В) в оси.
4. Заблокируйте предохранительную пружину.

## Начало работы

После заправки кабеля и установки бура оператору необходимо закрепить кабель на земле.

1. Вставьте колышек в землю.
2. Закрепите конец кабеля, который выходит из нижней части направляющей трубки, на колышке.

## Использование направляющей трубки на 2 кабеля

Если изделие выходит за внешний периметр рабочей зоны, необходимо одновременно уложить два кабеля.

1. Проложите один кабель по всему периметру. См. рис. (А) и (В). (Рис. 45) (Рис. 46)
2. Находясь в точке, показанной на рисунке (С), установите опорное колесо в крайнее верхнее положение, чтобы поднять подающую пластину с земли. Закрепите кабель с помощью колышка и продолжайте движение с кабелем над землей до следующей точки. (Рис. 47)
3. Закрепите кабель колышком в точке, указанной на рисунке (D). (Рис. 48)
4. Установите подающую пластину на необходимую глубину прокладки кабеля и продолжайте укладывать кабель, чтобы создать островок. См. рисунок (Е). (Рис. 49)
5. Когда вы достигнете точки, указанной на рисунке (F), уберите колышек и очистите подающую пластину. См. раздел *Очистка подающей пластины на стр. 354*. (Рис. 50)
6. Разместите кабель в направляющей трубке над землей. (Рис. 51)
7. Проложите два кабеля одновременно до точки, указанной на рисунке (G). Прикрепите два кабеля к колышку и отсоедините второй кабель от направляющей трубки. (Рис. 52)
8. Продолжайте прокладывать кабель по периметру до точки, указанной на рисунке (H). (Рис. 53)

## Остановка изделия

Если изделие не используется в течение 3 минут, оно автоматически выключается.

1. Отпустите скобу привода (А), чтобы отключить привод колес. (Рис. 37)
2. Отпустите скобу управления бурением, чтобы остановить бур. (Рис. 17)
3. Нажмите кнопку запуска/останов на панели управления.
4. Нажмите кнопку режима ожидания на панели управления.
5. Откройте крышку аккумулятора.



6. Извлеките предохранительный ключ из предохранительного замка и поместите его в держатель.
7. С помощью скребка очистите подающую пластину. См. раздел *Очистка подающей пластины на стр. 354.*

8. Очищайте и смазывайте головку бура после каждого использования. См. раздел *Очистка и смазка головки бура на стр. 354.*

## Техническое обслуживание

### Вводная информация



**ПРЕДУПРЕЖДЕНИЕ:** Перед выполнением техобслуживания необходимо внимательно изучить и понять информацию в разделе по технике безопасности.

Для выполнения любых работ по сервисному обслуживанию и ремонту изделия необходимо пройти специальное обучение. Мы гарантируем доступность услуг по профессиональному ремонту и сервисному обслуживанию.

Дополнительную информацию см. в разделе [www.husqvarna.com](http://www.husqvarna.com).

### График технического обслуживания

График технического обслуживания составлен исходя из ежедневного использования изделия. Если изделие не используется ежедневно, интервалы техобслуживания изменятся.

Сведения о техническом обслуживании, отмеченном знаком \*, см. в разделе *Защитные устройства на изделии на стр. 347.*

	При каждом использовании	Ежемесячно	Каждый сезон
Выполните общий осмотр.	X		
Убедитесь, что защитные устройства изделия исправны*.	X		
Осмотрите бур и подающую пластину.	X		
Проверьте работу скобы управления бурением*.	X		
Убедитесь, что кнопка запуска/остановка работает надлежащим образом и не повреждена.	X		
Проверьте аккумулятор на наличие повреждений.	X		
Проверьте уровень заряда аккумулятора.	X		
Проверьте работу кнопок фиксатора и надежность установки аккумулятора в изделии.	X		
Очистите воздухозаборники на двигателе. Убедитесь, что на воздухозаборниках нет травы и грязи.	X		
Смажьте неокрашенные детали.	X		
Смажьте детали с изношенным цинковым покрытием.	X		
Очистите и смажьте головку бура.	X		
Очистите подающую пластину.	X		
Проверьте состояние и правильность работы зарядного устройства.		X	
Проверьте соединения между аккумулятором и изделием. Проверьте также соединения между аккумулятором и зарядным устройством.			X

## Очистка подающей пластины

- С помощью скребка удалите грязь и очистите подающую пластину. (Рис. 54)

## Замена подающей пластины

1. Наклоните изделие вперед и медленно опустите его на землю.
2. Отверните 2 винта (А) и снимите подающую пластину (В). (Рис. 55)
3. Установите новую подающую пластину, выполнив указанные выше шаги в обратной последовательности.

## Замена бура

1. Очистите изделие от травы и грязи.



**ВНИМАНИЕ:** Во время установки следите за тем, чтобы в бур не попали грязь или посторонние материалы.

**Примечание:** Очищайте и смазывайте корпус бура каждый раз после работы.

2. Выверните короткий винт (А) и снимите головку бура (В) с вала (С). (Рис. 56)

**Примечание:** Для замены бура необходим ключ на 6 мм.

3. Выверните длинный винт (D) и снимите бур (E) с головки.
4. Вставьте новый бур в головку и установите длинный винт.
5. Установите головку бура на вал.
6. Затяните винты.

## Очистка и смазка головки бура

Полностью очищайте головку бура после каждого использования.

1. Наклоните изделие вперед и медленно опустите его на землю.
2. Удалите траву, грязь и посторонние материалы мягкой щеткой.
3. Для удаления мелких частиц травы и грязи используйте сжатый воздух.
4. Выверните винты (А) из головки бура (В) и снимите бур (С). (Рис. 56)
5. Выверните 2 винта (D) и снимите подающую пластину (E). (Рис. 57)
6. Выверните винт (F) и извлеките головку бура (G) из вала (H). (Рис. 58)
7. Для очистки изделия используйте сжатый воздух. Убедитесь, что вся грязь, трава и посторонние материалы удалены.
8. При необходимости удалите грязную смазку с помощью соответствующего растворителя.
9. Очистите все компоненты с помощью подходящего растворителя и смажьте их.
10. Нанесите водоотталкивающую смазку на вал. (Рис. 59)

## Очистка аккумулятора и зарядного устройства



**ПРЕДУПРЕЖДЕНИЕ:** Очистка аккумулятора или зарядного устройства водой запрещена.



**ПРЕДУПРЕЖДЕНИЕ:** Не используйте химические реагенты для очистки аккумулятора.

- Прежде чем устанавливать аккумулятор в зарядное устройство, убедитесь, что аккумулятор и зарядное устройство чистые и сухие.
- Используйте для очистки клемм аккумулятора сжатый воздух или мягкую и сухую ткань.
- Очистите поверхности аккумулятора и зарядного устройства мягкой и сухой тканью.

## Поиск и устранение неисправностей

### Поиск и устранение неисправностей

Если вы не нашли решения своей проблемы в данном руководстве, обратитесь в сервисный центр Husqvarna.

Проблема	Причина
Двигатель не запускается.	Аккумулятор разряжен.
	Аккумулятор установлен неправильно.
	Аккумулятор неисправен.
	Панель управления неисправна.
Бур не вращается.	Ремень изношен.
	Ремень соскользнул со шкивов.
	Рычаг не обеспечивает достаточное натяжение ремня.
Бур продолжает вращаться после отпускания скобы управления бурением.	Провод от скобы управления бурением изношен или поврежден.
Изделие не работает надлежащим образом.	Бур изношен или поврежден.
	Бур установлен неправильно.
Изделие не двигается при нажатой скобе привода.	Провод от скобы привода изношен или поврежден.
	Изношены ремни редуктора.
	Цепь повреждена или недостаточно натянута.
	Изношены диски муфты в корпусе редуктора.
Головку бура невозможно снять.	Посторонние материалы в узле.
	Окисление внутри системы.
Повреждена изоляция кабеля, укладываемого в землю.	Отверстие выпуска кабеля на подающей пластине повреждено.
	Трубка подающей пластины, внутри которой находится кабель, загрязнена.

## Аккумулятор

Светодиодный индикатор аккумулятора	Причина	Решение
Мигает зеленый светодиодный индикатор.	Низкое напряжение аккумулятора.	Зарядите аккумулятор. См. раздел <i>Зарядка аккумулятора на стр. 350.</i>

Светодиодный индикатор аккумулятора	Причина	Решение
Мигает светодиодный индикатор ошибки.	Слишком низкий заряд аккумулятора.	Зарядите аккумулятор. См. раздел <i>Аккумулятор на стр. 355</i> .
	Слишком высокая или слишком низкая температура окружающей среды.	Используйте аккумулятор при температуре в диапазоне от -10°C до 40°C.
	Перегрузка по напряжению.	Убедитесь, что напряжение в сети соответствует значению, указанному на паспортной табличке изделия.  Извлеките аккумулятор из зарядного устройства. Подождите 5 секунд и снова попытайтесь зарядить аккумулятор. Если неисправность не устранена, обратитесь в авторизованный сервисный центр.
Горит светодиодный индикатор ошибки.	Слишком большая разница в напряжении элементов (1 В).	Обратитесь в авторизованный сервисный центр.

## Зарядное устройство

Светодиод на зарядном устройстве аккумулятора	Причина	Решение
Мигает светодиодный индикатор ошибки.	Слишком высокая или слишком низкая температура окружающей среды.	Используйте зарядное устройство при температуре в диапазоне от 5°C до 40°C.
Горит светодиодный индикатор ошибки.		Обратитесь в авторизованный сервисный центр.

## Панель управления

Код ошибки (количество миганий)	Возможные неисправности	Порядок устранения
5	Слишком низкая частота вращения двигателя и, как следствие, останов двигателя.	Очистите головку бура и уменьшите глубину прокладки кабеля. См. разделы <i>Очистка и смазка головки бура на стр. 354</i> и <i>Регулировка глубины прокладки кабеля на стр. 351</i> . Если проблема не устранена, обратитесь в авторизованный сервисный центр.
8	Слишком низкий заряд аккумулятора.	Зарядите аккумулятор. См. раздел <i>Зарядка аккумулятора на стр. 350</i> .
9	Ошибка аккумулятора или отсутствие сигнала от аккумулятора.	Установите аккумулятор в изделие надлежащим образом и проверьте разъем аккумулятора. Если на аккумуляторе мигает светодиодный индикатор ошибки, см. раздел <i>Аккумулятор на стр. 355</i> .

Код ошибки (количество миганий)	Возможные неисправности	Порядок устранения
10	Слишком высокая температура системы управления двигателем.	Остановите двигатель и подождите, пока он остынет.
Прочие ошибки	При возникновении других ошибок извлеките предохранительный ключ и аккумулятор и обратитесь в авторизованный сервисный центр.	

## Транспортировка, хранение и утилизация

### Введение



**ПРЕДУПРЕЖДЕНИЕ:** Во избежание случайного запуска во время транспортировки вытяните предохранительный ключ, извлеките аккумулятор и подождите не менее 5 секунд.

### Транспортировка

- На литий-ионные аккумуляторы в комплекте изделия распространяются требования, предъявляемые к опасным товарам.
- Соблюдайте специальные требования к перевозке коммерческим транспортом, указанные на упаковке и ярлыках.
- При подготовке изделия к транспортировке тщательно выполняйте все требования, предъявляемые к опасным веществам. Могут также применяться требования местного законодательства.
- Перед транспортировкой всегда извлекайте аккумулятор.
- Заклейте разъемы аккумулятора лентой и закрепите аккумулятор таким образом, чтобы во время транспортировки он не мог сместиться.
- Надежно закрепите изделие на время транспортировки.

### Хранение

- Перед помещением изделия на хранение дайте ему остыть.
- Перед транспортировкой всегда извлекайте аккумулятор.
- Во избежание несчастных случаев при помещении изделия на хранение убедитесь, что к нему не подключен аккумулятор.
- Храните зарядное устройство в закрытом и сухом помещении.
- Храните аккумулятор и зарядное устройство в сухом отапливаемом помещении.
- Храните аккумулятор отдельно от зарядного устройства.

- Не допускается хранение аккумулятора в местах, где возможно возникновение статического электричества. Нельзя хранить аккумулятор в металлической коробке.
- Храните изделие при температуре окружающей среды в диапазоне от -10 до 40 °C.
- Храните аккумулятор при температуре окружающей среды в диапазоне от 5 до 25 °C и не подвергайте его воздействию прямых солнечных лучей.
- Храните зарядное устройство при температуре окружающей среды в диапазоне от 5 до 45 °C и не подвергайте его воздействию прямых солнечных лучей.
- Перед помещением аккумулятора на длительное хранение убедитесь, что он заряжен до 30-50%.
- Храните изделие, аккумулятор и зарядное устройство в запечатом помещении, вне доступа детей и лиц, не имеющих соответствующего разрешения.
- Очистите изделие.
- Выполняйте техобслуживание в соответствии с инструкциями, приведенными в данном руководстве по эксплуатации. См. раздел *График технического обслуживания на стр. 353*.
- Перед помещением изделия на длительное хранение проведите полное обслуживание.

### Утилизация

Обозначения на изделии или его упаковке указывают, что данное изделие не может быть утилизировано в качестве бытовых отходов. Оно должно быть передано в соответствующий пункт для переработки электрического и электронного оборудования.

Обеспечив надлежащую утилизацию данного изделия, вы поможете предотвратить потенциальное отрицательное влияние на окружающую среду и здоровье людей, которое иначе могло быть последствием неправильной утилизации. Более подробную информацию о переработке данного изделия получите в Городском управлении, у службы, занимающейся переработкой бытовых отходов либо в магазине, где вы приобрели изделие.

(Рис. 60)

## Технические данные

<b>Буровой двигатель</b>	
Тип двигателя	Двигатель постоянного тока BLDC (бесщеточный), 36 В
Частота вращения двигателя — номинальная, об/мин	3000 об/мин
Частота вращения двигателя — высокая нагрузка, об/мин	3300 об/мин
Мощность двигателя — максимальная, кВт	1,8
Мощность двигателя — номинальная, кВт	1,2
Трансмиссия	Механический редуктор с шестернями в масляной ванне
Сцепление	Ременной тип, со шкивом
<b>Вес</b>	
Вес без аккумулятора, кг	39
Вес, включая 2 блока BLi300, кг	43
<b>Аккумулятор</b>	
Тип аккумулятора	Серия аккумуляторов Husqvarna
<b>Рабочий цикл аккумулятора</b>	
Время работы аккумулятора, мин <sup>81</sup>	38
<b>Излучение шума</b> <sup>82</sup>	
Уровень мощности звука, измеренный, $L_{WA}$ дБ(А)	84
Уровень мощности звука, гарантированный, $L_{WA}$ , дБ(А)	86
<b>Уровни шума</b> <sup>83</sup>	
Уровень звукового давления на уши оператора, дБ(А)	66
<b>Уровни вибрации</b> <sup>84</sup>	
На рукоятке, $m/c^2$	1,8
<b>Оборудование для прокладки кабелей</b>	
Глубина прокладки кабеля, см	1–6
Расстояние между буром и краем колеса, мм	250, 270, 290, 310
Бур	597 04 84-01

<sup>81</sup> Работа на холостом ходу, измерение выполнено при включенном стандартном режиме и с 1 аккумулятором Husqvarna 9,4 А·ч (BLi300).

<sup>82</sup> Излучение шума в окружающую среду измеряется как мощность звука ( $L_{WA}$ ) согласно директиве ЕС 2000/14/ЕС.

<sup>83</sup> Указанные данные об уровне шумового давления имеют типичный статистический разброс (стандартное отклонение) 1,2 дБ(А).

<sup>84</sup> Указанные данные об уровне вибрации имеют типичный статистический разброс (стандартное отклонение) 0,2  $m/c^2$ . Вибрация, стандарт EN 1032+A1:2009.

Рекомендованные аккумуляторы	Марка	Тип	Емкость аккумулятора, А·ч	Напряжение, В	Масса, фунт / кг
BLi300	Husqvarna	Литий-ионный	9,4	36	4,1/1,9

Рекомендованные зарядные устройства для указанных аккумуляторов, BLi	Марка	Входное напряжение, В	Частота, Гц	Мощность, Вт
QC500	Husqvarna	100–240	50–60	500

---

## Декларация о соответствии

---



## Декларация соответствия требованиям ЕС

Мы, компания **Husqvarna AB**, SE-561 82  
Husqvarna, Швеция, тел.: +46-36-146500, с полной  
ответственностью заявляем, что изделие:

<b>Описание</b>	Устройство для прокладки кабелей
<b>Марка</b>	Husqvarna
<b>Тип / Модель</b>	CL400i
<b>Идентификация</b>	Серийные номера начиная с 2022 года и далее

полностью соответствует следующим директивам и  
нормативам ЕС:

<b>Норматив</b>	<b>Описание</b>
2006/42/ЕС	"О механическом оборудовании"
2014/30/EU	"Об электромагнитной совместимости"
2011/65/EU	"Об ограничении использования определенных опасных веществ в электрическом и электронном оборудовании"

а также требованиям следующих стандартов и/или  
технических регламентов: EN ISO 12100:2010, EN  
ISO 14119:2013, EN ISO 14120:2015, EN ISO  
13857:2019, EN 62841-1:2015+AC:2015, EN ISO  
11202:2010, EN 1032:2009, EN 55014-1:2017, EN  
55014-2:2015, EN 63000:2018.

Информацию по излучению шума см. в разделе  
*Технические данные на стр. 358.*

Husqvarna, 2022-03-21



Клаес Лосдал (Claes Losdal), директор отдела  
разработок/садовая техника, Husqvarna AB

Ответственный за техническую документацию



141400, Московская обл., Г. Химки, ул. Ленинградская,  
владение 39, строение 6, здание II этаж 4,  
помещение OB02\_04,  
телефон горячей линии 8-800-200-1689

---

## Obsah

---

Úvod.....	362	Riešenie problémov.....	373
Bezpečnosť.....	363	Preprava, skladovanie a likvidácia.....	375
Montáž.....	367	Technické údaje.....	375
Prevádzka.....	368	Vyhlásenie o zhode.....	377
Údržba.....	371		

---

## Úvod

---

### Popis výrobku

Pokladač káblov s chodiacou obsluhou.

### Prehľad výrobku

(Obr. 1)

1. Páka ovládania vrtáka
2. Páka na nakláňanie riadiel
3. Páka pohonu
4. Počítadlo
5. Navíjač kábla
6. Podávacie rebro
7. Vrták
8. Ovládací panel
9. Bezpečnostný kľúč
10. Akumulátor (príslušenstvo)
11. Nabíjačka batérií (príslušenstvo)
12. Návod na obsluhu

### Symbole na výrobku

(Obr. 2) UPOZORNENIE

(Obr. 3) Upozornenie: Rotujúce časti. Udržiavajte ruky a chodidlá mimo dosahu.

(Obr. 4) Dávajte pozor na vymrštené predmety a spätné nárazy.

(Obr. 5) Prečítajte si pokyny.

(Obr. 6) Dbajte na to, aby osoby a zvieratá nevstupovali do pracovnej oblasti.

(Obr. 7) Nebezpečenstvo poranenia očí okolostojacich osôb.

(Obr. 8) Výrobok nevystavujte dažďu.

(Obr. 9) Používajte ochranný štít.

(Obr. 10) Pohotovostný režim (čierne tlačidlo).

### Plánované použitie

Výrobok je určený na ukladanie ohraničovacieho a navádzacieho kábla pre robotické kosačky do zeme. Výrobok nepoužívajte na iné účely.

(Obr. 10) Spustenie a zastavenie motora (červené tlačidlo).

(Obr. 11) Výrobok alebo jeho obal nepredstavuje komunálny odpad. Recyklujte ho v recyklačnej stanici určenej pre elektrické a elektronické zariadenia.

(Obr. 12) Tento výrobok je v súlade s príslušnými smernicami ES.

(Obr. 13) Tento výrobok je v súlade s príslušnými právnymi predpismi Spojeného kráľovstva.

(Obr. 14) Označenie týkajúce sa emisie hluku do okolia podľa smerníc a nariadení EÚ a UK a legislatívy v štáte New South Wales „Protection of the Environment Operations (Noise Control) Regulation 2017“ (Nariadenie o ochrane životného prostredia pri prevádzke (kontrola hluku) z roku 2017). Garantovaná hladina akustického výkonu produktu je uvedená v *Technické údaje na strane 375* a na štítku.

(Obr. 15) Tento výrobok je chránený proti kvapkajúcej vode.

---

**Poznámka:** Ostatné symboly/emblémy na výrobku odkazujú na zvláštne požiadavky certifikácie pre určité trhy.

---

### Poškodenie výrobku

Nie sme zodpovední za škody na našom výrobku v prípade:

- nesprávne vykonanej opravy výrobku,

- opravy výrobku, pri ktorej neboli použité diely od výrobcu alebo diely schválenej výrobcou,
- používania príslušenstva od iného výrobcu alebo príslušenstva, ktoré nie je schválené výrobcom,
- opravy výrobku, ktoré neboli vykonané v schválenom servisnom stredisku alebo schválenými kompetentnými osobami.

## Bezpečnosť

### Bezpečnostné definície

Výstrahy, upozornenia a poznámky slúžia na zdôraznenie mimoriadne dôležitých častí návodu.



**VÝSTRAHA:** Používa sa, ak pre obsluhu alebo osoby v okolí existuje nebezpečenstvo poranenia alebo smrti v prípade nedodržania pokynov v návode.



**VAROVANIE:** Používa sa, ak hrozí nebezpečenstvo poškodenia produktu, iných materiálov alebo okolitej oblasti v prípade nedodržania pokynov v návode.

**Poznámka:** Používa sa na poskytnutie informácií nad rámec nevyhnutných informácií v danej situácii.

### Všeobecné bezpečnostné upozornenia pre výrobok



**VÝSTRAHA:** Prečítajte si všetky bezpečnostné upozornenia a pokyny a pozrite si ilustrácie a uvedené technické údaje tohto výrobku. Nedodržanie všetkých nižšie uvedených pokynov môže spôsobiť zásah elektrickým prúdom, požiar alebo ťažké zranenia.

**Uchovajte si všetky upozornenia a pokyny pre budúce použitie.** Výraz „výrobok“ v upozorneniach označuje výrobok napájané z elektrickej siete (s káblom) alebo batérie (bez kábla).

### Bezpečnosť na pracovisku

- **Udržiavajte pracovisko v čistote a dobre osvetlené.** Neporiadok alebo nedostatočné osvetlenie spôsobujú nehody.
- **Nepoužívajte výrobok vo výbušnom ovzduší, napríklad v prítomnosti horľavých kvapalín, plynov alebo prachu.** Výrobok vytvára iskry, ktoré môžu zapáliť prach alebo výpary.
- **Pri používaní výrobku zabráňte deťom a okolostojacím, aby sa zdržiavali vo vašej blízkosti.** Rušivé podnety môžu spôsobiť stratu kontroly.

### Elektrická bezpečnosť

- **Zástrčky výrobku musia zodpovedať zásuvke elektrickej siete. Nikdy a žiadnym spôsobom nemodifikujte elektrickú zástrčku. S uzemnenými**

**výrobkami nepoužívajte žiadne adaptérové zástrčky.** Ak sa zástrčky neupravujú a používajú sa zodpovedajúce zásuvky, zníži sa riziko úrazu elektrickým prúdom.

- **Zabráňte kontaktu tela s uzemnenými povrchmi, ako sú rúry, radiátory, sporáky a chladničky.** Riziko úrazu elektrickým prúdom je vyššie, ak je vaše telo uzemnené.
- **Výrobky nevystavujte pôsobeniu dažďa ani vlhkosti.** Ak sa do výrobku dostane voda, zvyšuje sa nebezpečenstvo úrazu elektrickým prúdom.
- **Nepoužívajte kábel nesprávnym spôsobom. Kábel nikdy nepoužívajte na prenášanie, ťahanie ani odpájanie výrobku. Chráňte šnúru pred horúcou, olejom, ostrými hranami alebo pohybujúcimi sa dielcami.** Poškodené alebo zamotané káble zvyšujú riziko úrazu elektrickým prúdom.
- **Pri používaní výrobku v exteriéri používajte predlžovací kábel vhodný na vonkajšie použitie.** Používanie kábla určeného do vonkajšieho prostredia znižuje riziko zásahu elektrickým prúdom.
- **Ak je nevyhnutné použiť výrobok vo vlhkom prostredí, na napájanie použite vedenie vybavené prúdovým chráničom (RCD).** Použitie napájania z vedenia vybaveného prúdovým chráničom (RCD) výrazne znižuje riziko zasiahnutia elektrickým prúdom.

### Osobná bezpečnosť

- **Pracujte opatrne, dávajte pozor a pri používaní výrobku postupujte rozumne. Výrobok nepoužívajte, keď ste unavení alebo pod vplyvom drog, alkoholu alebo liekov.** Chvilka nepozornosti pri používaní výrobkov môže zapríčiniť vážny úraz.
- **Používajte osobné ochranné pomôcky. Vždy noste ochranné prostriedky očí.** Ochranné vybavenie, ako sú napríklad masky proti prachu, bezpečnostné topánky s protišmykovou podrážkou, prilby alebo chrániče sluchu použité vo vhodných prípadoch znižujú počet osobných poranení.
- **Zabráňte neúmyselnému spusteniu zariadenia. Pred pripojením k elektrickej sieti alebo batérii overte zdvihnutím alebo prenesením výrobku, či je vypínač vo vypnutej polohe.** Prenášanie výrobkov s prstom na vypínači alebo napájanie výrobkov, ktoré majú vypínač zapnutý, zvyšuje riziko nehôd.
- **Pred zapnutím výrobku vyberte nastavovací kľúč alebo kľúč na matice.** Kľúč nasadený na rotačnú časť výrobku môže spôsobiť poranenie osôb.
- **Nenaťahujte sa príliš ďaleko. Vždy si udržiavajte rovnováhu a správny postoj.** To umožňuje lepšie ovládanie výrobku v neočakávaných situáciách.

- **Vhodne sa oblečte. Nenoste voľné oblečenie alebo šperky. Udržujte svoje vlasy a oblečenie mimo dosahu pohyblivých častí.** Voľné oblečenie, šperky alebo dlhé vlasy sa môžu zachytiť v pohyblivých častiach.
- **Ak je možné pripojiť zariadenia na odsávanie a zber prachu, overte, či sú tieto zariadenia pripojené a či sa správne používajú.** Používanie zberača prachu môže obmedziť nebezpečenstvá týkajúce sa prachu.
- **Nedovoľte, aby vás skúsenosti získané častým používaním produktov uspokojili, a ignorovali by ste bezpečnostné pravidlá pri používaní produktov.** Neopatrné konanie môže v zlomku sekundy spôsobiť vážne poranenie.

## Používanie výrobku a starostlivosť o neho

- **Netlačte na výrobok silou. Používajte správny výrobok na dané použitie.** Správny výrobok vykoná prácu lepšie a bezpečnejšie pri rýchlosti, na akú je určený.
- **Nepoužívajte výrobok, ak sa nedá zapnúť a vypnúť vypínačom.** Akýkoľvek výrobok, ktorý sa nedá ovládať vypínačom, je nebezpečný a musí sa opraviť.
- **Pred akoukoľvek úpravou, výmenou príslušenstva alebo skladovaním výrobkov odpojte zástrčku zo zdroja napájania a/alebo vyberte akumulátory (ak je to možné).** Takéto preventívne bezpečnostné opatrenia znižujú riziko náhodného spustenia výrobku.
- **Nepoužívané výrobky udržiavajte mimo dosahu detí a nedovoľte osobám, ktoré nepoznajú tento výrobok alebo tieto pokyny, aby výrobok používali.** Výrobky sú nebezpečné v rukách neskúsených používateľov.
- **Vykonávajte údržbu výrobkov a príslušenstva. Skontrolujte vychýlenie alebo ohnutie pohyblivých častí, nalomenie častí a akékoľvek iné poškodenie, ktoré môže ovplyvniť prevádzku výrobku. Ak je výrobok poškodený, dajte ho pred použitím opraviť.** Mnoho nehôd je spôsobených nedostatočne udržiavanými výrobkami.
- **Rezacie nástroje udržiavajte nabrušené a v čistote.** Správne udržiavané rezacie nástroje s ostrými hranami sú menej náchylné na ohnutie a ľahšie sa ovládajú.
- **Používajte výrobok, príslušenstvo, hroty nástroja atď. v súlade s týmito pokynmi, pričom vezmite do úvahy pracovné podmienky a typ vykonávanej práce.** Používanie výrobku na iné ako určené účely môže vyvolať nebezpečnú situáciu.
- **Rukoväť a úchytné povrchy udržiavajte suché, čisté a neznečistené olejom a mazivom.** Šmyklivé rukoväť a úchytné povrchy neumožňujú bezpečnú manipuláciu a ovládanie výrobku v neočakávaných situáciách.

## Služba

- **Výrobok zverte do opravy iba kvalifikovanému odborníkovi a používajte iba originálne náhradné**

**diely.** Tým sa zaistí zachovanie bezpečnosti výrobku.

- **Poškodené akumulátory nikdy neservisujte sami.** Servis akumulátorov smie vykonávať len výrobca alebo autorizovaný servis.

## Používanie nástroja napájaného akumulátorom a starostlivosť oň

- **Nabíjajte iba pomocou nabíjačky špecifikovanej výrobcom.** Nabíjačka, ktorá je vhodná pre jeden typ akumulátora, môže pri použití s iným akumulátorom predstavovať nebezpečenstvo požiaru.
- **Výrobok používajte iba s presne určenými akumulátormi.** Pri použití akéhokoľvek iného akumulátora môže hroziť nebezpečenstvo poranenia a požiaru.
- **Keď sa akumulátor nepoužíva, udržiajte ho mimo dosahu kovových predmetov, ako sú spony na papier, mince, kľúče, klince, skrutky alebo iné drobné kovové predmety, ktoré môžu vytvoriť spoj medzi svorkami.** Skratovanie svoriek akumulátora môže spôsobiť popálenie alebo požiar.
- **Pri neopatrnom zaobchádzaní môže z akumulátora uniknúť tekutina. Nedotýkajte sa jej. V prípade náhodného kontaktu umyte postihnuté miesto vodou. Ak sa dostane kvapalina z akumulátora do očí, vyhľadajte aj lekársku pomoc.** Kvapalina vystrekujúca z akumulátora môže spôsobiť podráždenie alebo popálenie.
- **Nepoužívajte poškodený alebo upravený akumulátor alebo nástroj.** Poškodené alebo upravené akumulátory môžu mať za následok nepredvídateľné fungovanie a spôsobiť požiar, výbuch alebo predstavovať nebezpečenstvo poranenia.
- **Akumulátor alebo nástroj nevystavujte ohňu alebo nadmeme vysokým teplotám.** Pri vystavení ohňu alebo teplote nad 130 °C (265°F) môže dôjsť k výbuchu.
- **Dodržiavajte všetky pokyny na nabíjanie a pri nabíjaní nevystavujte akumulátor alebo nástroj teplotám, ktoré sú mimo teplotného rozsahu uvedeného v pokynoch.** Pri nesprávnom nabíjaní alebo pri vonkajších teplotách mimo uvedeného rozsahu hrozí poškodenie akumulátora a zvyšuje sa nebezpečenstvo požiaru.

## Všeobecné bezpečnostné pokyny



**VÝSTRAHA:** Skôr než budete výrobok používať, prečítajte si nasledujúce výstrahy.

- Tento výrobok je nebezpečný, ak sa nepoužíva správne alebo ak nie ste pri jeho používaní opatrní. V prípade nedodržania bezpečnostných pokynov hrozí poranenie alebo usmrtenie.
- Tento výrobok vytvára počas prevádzky elektromagnetické pole. Toto pole môže za určitých okolností spôsobovať rušenie aktívnych alebo pasívnych implantovaných zdravotníckych

pomôcok. Na zníženie rizika vážneho alebo smrteľného zranenia odporúčame, aby sa osoby s implantovanými pomôckami poradili so svojim lekárom a výrobcom pomôcky ešte pred použitím tohto výrobku.

- Vždy zachovávajte opatrnosť a riadte sa zdravým úsudkom. Ak si v určitých situáciách nie ste istí, ako máte výrobok používať, výrobok nepoužívajte a pred pokračovaním v práci sa poraďte s predajcom spoločnosti Husqvarna.
- Nezabudnite, že operátor bude zodpovedný za nehody zahŕňajúce iné osoby alebo ich majetok.
- Výrobok udržiavajte čistý. Symboly a emblémy musia byť čitateľné.
- Nikdy nedovoľte používať zariadenie deťom ani osobám, ktoré sa neoboznámili s návodom na používanie. Miestne predpisy môžu obmedzovať vek používateľa.
- Osoby so zníženými fyzickými alebo duševnými schopnosťami musia byť počas používania výrobku vždy pod dozorom. Vyžaduje sa neustála prítomnosť zodpovednej dospeléj osoby.
- Výrobok nepoužívajte, ak ste unavení, chorí alebo ste pod vplyvom alkoholu, drog alebo liekov. Vyššie uvedené prípady majú negatívny vplyv na váš zrak, ostražitosť, koordináciu a úsudok.
- Ak je výrobok poškodený alebo nefunguje správne, nepoužívajte ho.
- Výrobok žiadnym spôsobom neupravujte ani nepoužívajte, ak existuje možnosť, že bol upravený inými osobami.

## Bezpečnosť pri práci



**VÝSTRAHA:** Skôr než budete výrobok používať, prečítajte si nasledujúce výstrahy.

- Výrobok je určený na ukladanie ochraničovacieho a navádzacieho kábla pre robotické kosačky do zeme. Výrobok nepoužívajte na iné účely.
- Používajte osobné ochranné pomôcky. Pozrite si časť *Osobné ochranné prostriedky na strane 366*.
- Naučte sa, ako v prípade núdze rýchlo zastaviť motor.
- Výrobok nepoužívajte na daždi alebo vlhkých miestach. V prípade preniknutia vody do výrobku sa zvyšuje riziko zásahu elektrickým prúdom.
- Výrobok nepoužívajte, pokiaľ nie sú vrták a všetky kryty správne upevnené. Nesprávne pripojený vrták sa môže uvoľniť a spôsobiť poranenie.
- Pred používaním výrobku odstráňte z pracovnej oblasti všetky predmety, ako sú napr. konáre, vetvy a kamene.
- Predmety, ktoré narazia na zariadenie na ukladanie kábla, môžu byť vymrštené a spôsobiť poranenie osôb alebo poškodenie iných predmetov. Dávajte pozor, aby okolo stojace osoby a zvieratá nevstupovali do pracovnej oblasti.
- Výrobok nikdy nepoužívajte počas nepriaznivých poveternostných podmienok, napríklad v hmle, v daždi, v silnom vetre, v silnom mraze, pri vysokom riziku blyskania. Používanie výrobku počas nepriaznivých poveternostných podmienok alebo na vlhkých alebo mokrych miestach je namáhavé. Nepriaznivé poveternostné podmienky môžu mať za následok vznik nebezpečných podmienok, akými sú napr. klzké povrchy.
- Dávajte pozor na osoby, predmety a situácie, ktoré môžu zamedziť bezpečnej prevádzke výrobku.
- Dávajte pozor na prekážky, ako sú napr. korene, kamene, halúzky, jamy a priekopy. Vysoká tráva môže zakrývať prekážky.
- Výrobok nepoužívajte na svahoch so sklonom viac ako 15 °.
- Pri zmene smeru jazdy na svahoch dávajte mimoriadny pozor. S výrobkom sa pohybujte po vrstevnici. Nepohybujte sa smerom do svahu a zo svahu.
- V blízkosti skrytých rohov a objektov, ktoré vám bránia vo výhlade, sa pohybujte opatrne.
- Uistite sa, že vrták nenarazí na predmety, ako sú napr. kamene alebo korene. Môže dôjsť k poškodeniu vrtáka a ohnutiú hriadeľa motora. Ohnutý hriadeľ motora spôsobuje silné vibrácie a vzniká veľké nebezpečenstvo uvoľnenia vrtáka.
- Ak vrták narazí na predmet alebo ak cítite vibrácie, výrobok okamžite vypnite. Zastavte motor, vytiahnite bezpečnostný kľúč a vyberte batériu. Počkajte, kým sa zastavia pohyblivé časti. Skontrolujte, či nie je výrobok poškodený. Dotiahnite uvoľnené časti. Opravte akékoľvek poškodenie a vymeňte poškodené diely. Opravu zverte schválenému servisnému zástupcovi.
- Keď je naštartovaný motor, páka ovládania vrtáka nesmie byť trvalo pripevnená k riadidlám.
- Položte výrobok na stabilný, rovný povrch a naštartujte ho.
- Pri obsluhu vždy stojte za výrobkom.
- Pri obsluhu výrobku dávajte pozor, aby všetky kolesá dosadali na zem a rukoväť držte oboma rukami.
- Udržiavajte ruky a chodidlá mimo dosahu rotujúceho vrtáka.
- Pri štartovaní motora alebo počas prevádzky výrobok nenakláňajte.
- Pri ťahaní výrobku smerom dozadu buďte opatrní.
- Výrobok nedvíhajte, keď je spustený motor. Ak výrobok musíte zdvihnúť, najskôr zastavte motor, vytiahnite bezpečnostný kľúč a vyberte batériu.
- Počas obsluhy výrobku necúvajte.
- Ak potrebujete výrobok nakloniť kvôli preprave, uvoľnením páky ovládania vrtáka zastavte vrták.
- Keď je zapnutý motor, s výrobkom neutekajte. Počas obsluhy výrobku vždy kráčajte.
- Pred zmenou hĺbky ukladania kábla zastavte motor. Nevykonaвайте nastavenia so zapnutým motorom.

- Keď je zapnutý motor, nenechávajte výrobok bez dozoru. Zastavte motor a uistite sa, že sa vrták neotáča.
- Vibrácie výrobku počas prevádzky sa môžu líšiť od deklarovanej hodnoty vibrácií v časti *Technické údaje na strane 375*. Rozdiel je spôsobený variáciami v spôsobe používania výrobku. Ak výrobok používate často alebo dlhodobo, robte pravidelné prestávky, aby ste predišli poraneniam spôsobeným vibráciami.

## Bezpečnostné pokyny pre prevádzku

Skôr než budete výrobok používať, prečítajte si nasledujúce pokyny.

- Skontrolujte, či nie je kábel vo vodiacom prvku kábla poškodený.
- Skontrolujte, či nie je trubica v podávacom rebre poškodená. Ak je trubica opotrebovaná alebo poškodená, vymeňte ju.

(Obr. 16)

- Uistite sa, že okraj okolo otvoru nie je ostrý alebo poškodený. Ak je vodiaci prvok kábla poškodený, vymeňte ho.
- Skontrolujte, či sú všetky skrutky dotiahnuté.
- Uistite sa, že sú všetky páky v neutrálnej polohe.

## Osobné ochranné prostriedky



**VÝSTRAHA:** Skôr než budete výrobok používať, prečítajte si nasledujúce výstrahy.

- Osobné ochranné prostriedky nedokážu úplne vylúčiť riziko, ale môžu znížiť vážnosť zranenia v prípade nehody. Váš predajca vám pomôže pri výbere správnych prostriedkov.
- Noste odolné protišmykové topánky. Výrobok neobsluhujte v otvorených topánkach ani s bosými nohami.
- Noste dlhé odolné nohavice.
- Keď je to potrebné, používajte ochranné rukavice, ako napr. pri montáži, kontrole alebo čistení pokladača kábla.
- Odporúčame používať chrániče sluchu.

## Bezpečnostné zariadenia na výrobku



**VÝSTRAHA:** Skôr než budete výrobok používať, prečítajte si nasledujúce výstrahy.

- Výrobok nepoužívajte s bezpečnostnými zariadeniami, ktoré sú poškodené alebo nefungujú správne.
- Neodstraňujte ani neupravujte bezpečnostné zariadenia.
- Pravidelne kontrolujte bezpečnostné zariadenia. Ak sú bezpečnostné zariadenia poškodené alebo

nefungujú správne, obráťte sa na servisného zástupcu Husqvarna.

## Bezpečnostný kľúč

Bezpečnostný kľúč sa nachádza pod krytom batérie. Bezpečnostný kľúč slúži na pripojenie batérie, ktorá napája motor.

## Kontrola bezpečnostného kľúča

Bezpečnostný kľúč slúži na pripojenie batérie, ktorá napája motor.

- Spustíte a zastavte motor. Ak bezpečnostný kľúč funguje správne, motor sa môže spustiť iba vtedy, keď je bezpečnostný kľúč v bezpečnostnom zámku.

## Páka ovládania vrtáka

Páka ovládania vrtáka slúži na zastavenie vrtáka. Po uvoľnení páky ovládania vrtáka sa vrták zastaví.

Ak chcete páku ovládania vrtáka skontrolovať, naštartujte motor a potom uvoľníte páku ovládania vrtáka. Ak sa vrták nezastaví do 3 sekúnd, obráťte sa na schváleného servisného zástupcu Husqvarna.

(Obr. 17)

## Bezpečnosť batérie



**VÝSTRAHA:** Skôr než budete výrobok používať, prečítajte si nasledujúce výstrahy.

- Ako napájaci zdroj používajte nabíjateľné batérie Husqvarna len pre výrobky typu Husqvarna. V prípade iných zariadení nepoužívajte batériu ako zdroj napájania, aby ste zabránili riziku zranenia.
- Nepoužívajte nenabíjateľné akumulátory.
- Nebezpečenstvo zásahu elektrickým prúdom. Nepripájajte konektory batérie ku kľúčom, minciam, skrutkám ani k iným kovovým predmetom. Môže dôjsť k skratu batérie.
- Do vetracích otvorov batérie nekladajte žiadne predmety.
- Batériu nevystavuje priamemu slnečnému žiareniu, teplu ani otvorenému ohňu. Batéria môže vybuchnúť a spôsobiť popálenie alebo poleptanie.
- Batériu nevystavuje dažďu ani vlhku.
- Batériu nevystavuje mikrovlnnému žiareniu ani vysokému tlaku.
- Nepokúšajte sa rozoberať ani rozdrviť batériu.
- V prípade úniku kvapaliny z batérie zabráňte zasiahnutiu pokožky a očí kvapalinou. V prípade kontaktu s kvapalinou umyte zasiahnutú oblasť veľkým množstvom vody a vyhľadajte lekársku pomoc.
- Batériu vo výrobku používajte iba vtedy, keď je teplota okolia 5 °C – 40 °C.
- Nabíjačku batérií používajte iba vtedy, keď je teplota okolia 5 °C – 40 °C.

- Batéria sa nenabíja, ak je jej teplota vyššia než 50 °C.
- Batériu ani nabíjačku batérií nečistite vodou. V časti *Čistenie batérie a nabíjačky batérií na strane 372*.
- Nepoužívajte poškodenú batériu.
- Batérie uchovávajte v bezpečnej vzdialenosti od kovových predmetov, ako sú napr. kince, mince, šperky.

## Bezpečnosť nabíjačky batérií



**VÝSTRAHA:** Skôr než budete výrobok používať, prečítajte si nasledujúce výstrahy.

- Na nabíjanie náhradných batérií Husqvarna používajte len nabíjačky batérií QC.
- Riziko zasiahnutia elektrickým prúdom alebo skratu. Do vetracích otvorov nabíjačky nevkladajte žiadne predmety. Nabíjačku batérií sa nepokúšajte rozoberať. Koncovky nabíjačky nikdy neprípájajte ku kovovému predmetom. Používajte schválenú elektrickú zásuvku.
- Tento výrobok vytvára počas prevádzky elektromagnetické pole. Toto pole môže za určitých okolností spôsobovať rušenie aktívnych alebo pasívnych implantovaných zdravotníckych pomôcok. Zníženie rizika podmienok, ktoré môžu viesť k vážnemu alebo aj smrteľnému poraneniu, si vyžaduje, aby sa osoby s implantovanými pomôckami poradili so svojím lekárom a výrobcom pomôcky ešte pred použitím tohto výrobku.
- Pravidelne kontrolujte, či napájací kábel nabíjačky batérií nie je poškodený a či na ňom nie sú praskliny.
- Nabíjačku batérií nedvíhajte za napájací kábel. Pri od pájaní nabíjačky batérií od sieťovej zásuvky ťahajte za zástrčku. Neťahajte za napájací kábel.
- Udržiavajte všetky napájacie káble a predĺžovacie káble v bezpečnej vzdialenosti od vody, oleja a ostrých hrán. Ubezpečte sa, že kábel nie je privityý vo dverách, plochách a podobne. Môže to spôsobiť, že nabíjačka bude pod napätím.
- Nabíjačku batérií nečistite vodou.
- Nabíjačku batérií smú používať deti od 8 rokov a osoby s obmedzenými fyzickými, zmyslovými alebo mentálnymi schopnosťami alebo s nedostatkom skúseností a vedomostí, pokiaľ sú pod dohľadom alebo boli poučené o bezpečnom

používaní nabíjačky batérií a chápu súvisiace riziká. Deti sa nesmú s nabíjačkou batérií hrať. Deti nesmú vykonávať čistenie ani údržbu zariadenia, ak nie sú pod dozorom.

- Nenabíjateľné batérie v nabíjačke nenabíjajte.
- Nabíjačku batérií nepoužívajte v blízkosti horľavých materiálov alebo materiálov, ktoré spôsobujú koróziu. Nabíjačku batérií nezakrývajte. V prípade výskytu dymu alebo ohňa odpojte zástrčku nabíjačky batérií.
- Nepoužívajte poškodenú nabíjačku.
- Batériu nabíjajte len v interiéri izieb s dobrým prúdením vzduchu a mimo slnečného svetla. Batériu nenabíjajte vo vlhkom prostredí.

## Bezpečnostné pokyny pre údržbu



**VÝSTRAHA:** Skôr než budete výrobok používať, prečítajte si nasledujúce výstrahy.

- Pred vykonaním údržby výrobku vytiahnite bezpečnostný kľúč.
- Správnym vykonaním údržby zvýšite životnosť výrobku a znížite nebezpečenstvo nehôd. Vykonanie odborných opráv zverte schválenému servisnému zástupcovi. Ďalšie informácie získate od najbližšieho servisného zástupcu.
- Vykonávajte len údržbu uvedenú v tomto návode na obsluhu.
- Keď sa dotýkate zariadenia na ukladanie káblov, používajte ochranné rukavice pre náročné aplikácie.
- Výrobok udržiavajte ostrý a čistý, aby ste dosiahli ten najlepší a najbezpečnejší výkon.
- Nechajte výrobok pravidelne prehliadnuť servisným zástupcom a vykonať na ňom potrebné nastavenia a opravy.
- Vymeňte všetky poškodené, opotrebované alebo zlomené diely.
- Pri výmene príslušenstva sa riadte pokynmi. Používajte iba príslušenstvo od daného výrobcu.
- Keď sa výrobok, batéria a nabíjačka batérií nepoužívajú, skladujte ich oddelene na suchom mieste uzamknuté v interiéri. Zaisťte, aby sa k výrobku, batérii ani k nabíjačke batérií nedostali deti ani neoprávnené osoby.

## Montáž

### Úvod



**VÝSTRAHA:** Pred montážou výrobku si prečítajte kapitolu o bezpečnosti a uistite sa, že rozumiete informáciám, ktoré sa v nej uvádzajú.

### Inštalácia vrtáka

1. Vložte vrták (A) do hlavy vrtáka (B) a namontujte dlhú skrutku (C). (Obr. 18)

**Poznámka:** Na montáž vrtáka je potrebný 6 mm šesťhranný kľúč.

- Namontujte hlavu vrtáka na hriadeľ (D) pomocou krátkej skrutky (E).
- Utiahnite skrutky.

## Inštalácia kábla

Výrobok disponuje navijacom kábla so spojku, ktorý možno odstrániť.

- Vložte kábel do navijáča kábla. Pomocou otočnej svorky otočte navijáč kábla v smere hodinových ručičiek.

**Poznámka:** Kábel je nutné inštalovať na navijáč kábla v smere hodinových ručičiek, aby sa počas prevádzky plynulo odvíjal. (Obr. 19)

- Zatlačte kábel do trubice v podávačom rebre (A), kým zo spodnej časti (B) nevyjde pribl. 5 cm kábla. (Obr. 20)

## Inštalácia a odstránenie navijáča kábla

- Uvoľnite otočnú svorku (A). (Obr. 21)
- Demontujte poistku (B).
- Odstráňte navijáč kábla (C).
- Nainštalujte navijáč kábla (D). V prípade potreby použite adaptér. (Obr. 22)
- Nainštalujte poistku (E) a utiahnite otočnú svorku (F).

# Prevádzka

## Úvod



**VÝSTRAHA:** Pred používaním výrobku si musíte prečítať kapitolu o bezpečnosti a porozumieť informáciám, ktoré sa v nej uvádzajú.

## Husqvarna Fleet Services™

Husqvarna Fleet Services™ je cloudové riešenie, ktoré operátorovi poskytuje prehľad všetkých pripojených výrobkov. Na tomto výrobku je možné namontovať snímač Husqvarna Fleet Services™. Snímač Husqvarna Fleet Services™ zhromažďuje údaje o výrobku a umožňuje vám pripojenie k systému Husqvarna Fleet Services™. Systém Husqvarna Fleet Services™ hlási údaje, ako napríklad čas prevádzky, intervaly údržby a polohu výrobku.

Ak chcete získať viac informácií o Husqvarna Fleet Services™, stiahnite si aplikáciu Husqvarna Fleet Services™ alebo sa obráťte na svojho zástupcu Husqvarna.

## Príprava snímača (príslušenstvo)

- Na otvorenie veka snímača použite kľúč snímača. (Obr. 23)
- Vyberte snímač.
- Pripojte batériu k snímaču. LED svetlo na snímači sa rozsvieti. (Obr. 24)
- Prevezmite aplikáciu Husqvarna Fleet Services™.
- Prihláste sa do aplikácie Husqvarna Fleet Services™.
- Vykonajte spárovanie. Pozrite si časť *Vykonanie spárovania medzi aplikáciou a výrobkom na strane 368*

## Vykonanie spárovania medzi aplikáciou a výrobkom

- Prihláste sa do aplikácie Husqvarna Fleet Services™.
- V aplikácii vyberte svoj výrobok.
- Naskenovaním kódu pod snímačom pomocou mobilného zariadenia nainštalujete snímač v aplikácii.

**Poznámka:** Vykonanie spárovania medzi aplikáciou a výrobkom je potrebné vykonať iba raz.

## Inštalácia snímača

- Uistite sa, či je snímač prepojený s aplikáciou Husqvarna Fleet Services™. Pozrite si časť *Vykonanie spárovania medzi aplikáciou a výrobkom na strane 368*.
- Vo vyhradenom otvore vyvrtajte 2 diery podľa značiek. (Obr. 25)

**Poznámka:** Dbajte na to, aby mali diery rovnaký rozmer ako nity dodávané spolu so snímačom.

- Pomocou klieští odstráňte vonkajšie otvory na slot snímača. (Obr. 26)
- Vyvrtajte 2 diery podľa značiek v slot snímača. (Obr. 27)
- Zarovnajete slot snímača s vyhradeným otvorom. (Obr. 28)
- Pripevnite slot snímača pomocou nitov.
- Nainštalujte snímač do slotu snímača. Zarovnajete bielu značku na snímači so značkou na slot snímača. (Obr. 29)
- Pomocou kľúča snímača uzatvorte veko na snímači. Dbajte na to, aby vrchol písmena „H“ symbolu značky Husqvarna smeroval od bezpečnostného kľúča. (Obr. 30)



## Batéria



**VÝSTRAHA:** Pred používaním batérie si musíte prečítať kapitolu o bezpečnosti a porozumieť informáciám, ktoré sa v nej uvádzajú. Okrem toho si musíte prečítať návod na obsluhu batérie a nabíjačky batérií a porozumieť jeho obsahu.

Batériu a nabíjačku udržiavajte pri správnej teplote okolia.

	Teplota okolitého prostredia
Prevádzka batérie	5 °C – 40 °C
Nabíjanie batérie	5 °C – 40 °C

### Stav batérie

Na displeji sa zobrazuje zostávajúca kapacita batérie a prípadné problémy s batériou. Kapacita batérie sa zobrazí na 5 sekúnd po vypnutí výrobku alebo po stlačení tlačidla indikátora batérie. Výstražný symbol na batérii sa rozsvieti, keď sa vyskytne chyba. Pozrite si časť *Batéria na strane 373*.

(Obr. 31)

LED svetlá	Stav batérie
Všetky LED svetlá svietia	Plne nabitá (75 – 100 %)
Svieti LED 1, LED 2, LED 3	Batéria je nabitá na 50 % – 75 %
Svieti LED 1, LED 2	Batéria je nabitá na 25 % – 50 %
Svieti LED 1	Batéria je nabitá na 0 % – 25 %.
Bliká LED 1	Batéria je vybitá. Nabite batériu.

### Nabíjanie batérie

Batériu nabíjajte pred prvým použitím. Pri dodaní zákazníkovi je batéria nabitá len na 30 % kapacity.

**Poznámka:** Nabíjačka batérie musí byť pripojená k sieti s napätím a frekvenciou, ktoré sa uvádzajú na výkonnovom štítku.

Batéria sa nenabíja, ak teplota batérie prekročí 50 °C. Pred začiatkom nabíjania nabíjačka batérií zníži teplotu batérie.

1. Jeden koniec napájacieho kábla nabíjačky batérií pripojte k zásuvke na nabíjačke batérií.

2. Druhý koniec napájacieho kábla nabíjačky batérií pripojte k uzemnenej sieťovej zásuvke. Indikátor LED na nabíjačke batérií raz blikne nazeleno. (Obr. 32)
3. Vložte batériu do nabíjačky batérií. Po správnom pripojení batérie k nabíjačke batérií sa na nabíjačke rozsvieti zelený indikátor. (Obr. 33)
4. Keď svietia všetky indikátory LED na batérii, batéria je plne nabitá. Batériu nabíjajte maximálne 24 hodín.
5. Pri odpájaní nabíjačky batérií od sieťovej zásuvky ťahajte za zástrčku, nie za šnúru.
6. Vyberte batériu z nabíjačky batérií.

### Stav nabíjania batérie

Lítium-iónová batéria Husqvarna sa dá nabíjať a používať pri všetkých úrovniach nabitia. Batéria nie je poškodená. Kapacita úplne nabitých batérií sa neznižuje ani vtedy, keď ju necháte v nabíjačke.

LED displej	Stav nabíjania
Bliká LED 1	0 % – 25 %
LED 1 svieti, LED 2 bliká	25 % – 50 %
LED 1, LED 2 svietia, LED 3 bliká	50 % – 75 %
LED 1, LED 2, LED 3 svietia, LED 4 bliká	75 % – 100 %
LED 1, LED 2, LED 3, LED 4 svietia	Úplne nabitá

### Postup pred používaním výrobku

1. V letnom období alebo ak je pôda suchá, deň pred prevádzkou zavlažujte pôdu.
2. Zabezpečte, aby sa ľudia a zvieratá nachádzali vo vzdialenosti minimálne 20 m od výrobku.
3. Vložte kábel do navijáča kábla. Pozrite si časť *Inštalácia kábla na strane 368*.
4. Nastavte hĺbku ukladania kábla. Pozrite si časť *Nastavenie hĺbky ukladania kábla na strane 370*.
5. Pripojte koniec kábla ku kolíku.

### Zapnutie výrobku

1. Nakloňte riadidlá na stranu. Pozri časť *Nakláňanie riadidiel na strane 370*.
2. Otvorte kryt batérie.
3. Nabitú batériu vložte do otvoru na batériu číslo 1 pod krytom batérií. Na zaistenie dlhšieho času prevádzky vložte druhú nabitú batériu do otvoru na batériu číslo 2.
4. Odpojte bezpečnostný kľúč od držiaka bezpečnostného kľúča.
5. Zasuňte bezpečnostný kľúč do bezpečnostného zámku. (Obr. 34)

6. Stojte za výrobkom.
7. Na ovládacom paneli stlačte tlačidlo pohotovostného režimu (A). Svetlo pohotovostného režimu (B) sa rozsvieti. (Obr. 35)
8. Stlačte tlačidlo spustenia/zastavenia (C), kým nezostane zatlačené. Spustí sa motor.



**VAROVANIE:** Ak sa výstražné svetlo (D) rozsvieti načerveno, výrobok nepoužívajte.

9. Zatlačením páky ovládania vrtáka v smere riadiel zapnete vrták. (Obr. 36)

## Používanie pohonu na kolesách

- Potiahnutím páky ovládania vrtáka (A) smerom k rukoväti aktivujete pohon kolies. (Obr. 37)
- Uvoľnením páky ovládania vrtáka deaktivujete pohon kolies.

## Nastavenie hĺbky ukladania kábla

1. Uvoľnite otočnú svorku (A). (Obr. 38)
2. Nastavte oporné koleso (B) na požadovanú hĺbku ukladania kábla a utiahnite otočnú svorku.

**Poznámka:** Čísla (C) na bočnej strane trubice oporného kolesa zobrazujú hĺbku ukladania kábla v cm. Hĺbku ukladania kábla je možné nastaviť v rozmedzí 1 – 6 cm.

## Nastavenie výšky riadiel

Výšku riadiel je možné upraviť do 5 polôh.

1. Otočením riadiel (A) proti smeru hodinových ručičiek ich uvoľníte. Vyberte otočnú svorku (B). (Obr. 39)
2. Nastavte výšku riadiel a nainštalujte otočnú svorku do otvoru, ktorý je najbližšie.
3. Otočením riadiel v smere hodinových ručičiek ich dotiahnete.

## Nakláňanie riadiel

Riadielá môžete nakláňať. Zabráňte tak tomu, aby vás pri práci s výrobkom zasiahli prekážky. Riadielá je možné nakloniť do 4 polôh na pravú stranu a 4 polôh na ľavú stranu.

1. Páku na nakláňanie riadiel (A) potiahnite na doraz v smere riadiel a držte ju. Páka na nakláňanie riadiel sa nachádza na ľavej spodnej strane riadiel. (Obr. 40)
2. Nakloňte riadielá do 1 zo 4 polôh na ľavú alebo pravú stranu a uvoľnite páku na nakláňanie riadiel. Uistite sa, že kolík, ktorý zaisťuje polohu riadiel, je v 1 z otvorov. (Obr. 41)

## Uzamknutie funkcie otáčania podávacieho rebra

Na zvýšenie presnosti smeru pri ukladaní kábla na dlhých rovných plochách môžete uzamknúť funkciu otáčania podávacieho rebra.

- Uistite sa, že podávacie rebro je v rovnakom smere ako výrobok a utiahnite rukoväť (A). (Obr. 42)

## Nastavenie vodiaceho prvku kábla

Výrobok je nastavený na káble s priemerom 4 mm. Ak má kábel väčší priemer, je potrebné nastaviť vodiaci prvok kábla.

1. Povoľte 2 skrutky. (Obr. 43)
2. Posuňte vodiaci prvok kábla o niekoľko milimetrov nahor.
3. Utiahnite 2 skrutky.

## Nastavenie šírky rozchodu

Polohu kolies je možné nastaviť pre rôzne šírky rozchodu. V náprave sú 4 nastavovacie otvory na ľavej strane a 4 nastavovacie otvory na pravej strane. Šírka rozchodu sa dá nastaviť na 250, 270, 290 alebo 310 mm od stredu vrtáka. (Obr. 44)

1. Vytiahnite kolík (A).
2. Nastavte kolesá na požadovanú šírku rozchodu.
3. Do jedného zo 4 otvorov (B) v náprave vložte kolík.
4. Zaisťte bezpečnostnú pružinu.

## Začatie práce

Po nainštalovaní kábla a vrtáka musí obsluhujúca osoba pripevniť kábel k zemi.

1. Vložte do zeme kolík.
2. Pripevnite ku kolíku časť kábla, ktorá vychádza zo spodnej časti vodiaceho prvku kábla.

## Používanie 2-káblového vodiaceho prvku

Ak výrobok odchádza z vonkajšieho obvodu pracovného priestoru, je potrebné vložiť 2 káble súčasne.

1. Zaorajte 1 kábel po celom obvode. Pozrite si obrázky (A) a (B). (Obr. 45) (Obr. 46)
2. Keď ste v bode znázornenom na obrázku (C), umiestnite podporné koleso do najvyššej polohy, aby ste odstránili podávacie rebro z pôdy. Kábel pripievajte kolíkom a pokračujte káblom nad pôdou, až kým nebudete v ďalšom bode. (Obr. 47)
3. Kábel pripievajte kolíkom v bode znázornenom na obrázku (D). (Obr. 48)

- Umiestnite podávacie rebro do správnej hĺbky ukladania kábla a pokračujte v zaorávaní kábla, aby ste vytvorili ostrovček. Pozrite si obrázok (E). (Obr. 49)
- Keď dosiahnete bod uvedený na obrázku (F), vyberte kolík a očistite podávacie rebro. Pozrite si časť *Čistenie podávacieho rebra na strane 372*. (Obr. 50)
- Kábel nachádzajúci sa nad zemou nasadte do vodiaceho prvku kábla. (Obr. 51)
- 2 káble zaorajte súčasne do bodu uvedeného na obrázku (G). Pripojte 2 káble ku kolíku a druhý kábel odpojte z vodiaceho prvku kábla. (Obr. 52)
- Pokračujte v zaorávaní obvodového kábla do bodu znázorneného na obrázku (H). (Obr. 53)
- Uvoľnením páky pohonu (A) deaktivujete pohon kolies. (Obr. 37)
- Uvoľnením páky ovládania vrtáka sa vrták zastaví. (Obr. 17)
- Na ovládacom paneli stlačte tlačidlo spustenia/zastavenia.
- Na ovládacom paneli stlačte tlačidlo pohotovostného režimu.
- Otvorte kryt batérie.
- Vyberte bezpečnostný kľúč z bezpečnostného zámku a vložte ho do držiaka bezpečnostného kľúča.
- Použitím škrabky vyčistite podávacie rebro. Pozrite si časť *Čistenie podávacieho rebra na strane 372*.
- Po každom úkone vyčistite a namažte hlavu vrtáka. Pozrite si časť *Čistenie a mazanie hlavy vrtáka na strane 372*.

## Zastavenie výrobu

Výrobok sa automaticky zastaví, ak ho nepoužívate aspoň 3 minút.

## Údržba

### Úvod



**VÝSTRAHA:** Pred vykonávaním akejkoľvek údržby si musíte prečítať kapitolu o bezpečnosti a porozumieť jej.

Údržba a opravné práce na výrobku si vyžadujú špeciálne školenie. Zaručujeme dostupnosť profesionálnych opravných prác a údržby.

Podrobnejšie informácie nájdete na stránke [www.husqvarna.com](http://www.husqvarna.com).

### Plán údržby

Intervaly údržby sú vypočítané na základe každodenného používania výrobku. Ak sa výrobok nepoužíva každý deň, tieto intervaly sa menia.

Informácie o prvkoch údržby označených symbolom „\*\*“ nájdete v časti *Bezpečnostné zariadenia na výrobku na strane 366*.

	Pri každom použití	Mesačne	Každú sezónu
Vykonajte všeobecnú kontrolu.	X		
Skontrolujte, či sú bezpečnostné zariadenia na výrobku nepoškodené*.	X		
Skontrolujte vrták a podávacie rebro.	X		
Vykonajte kontrolu páky ovládania vrtáka*.	X		
Skontrolujte, či správne funguje tlačidlo spustenia/zastavenia a či nie je poškodené.	X		
Skontrolujte, či nie je poškodená batéria.	X		
Skontrolujte nabitie batérie.	X		
Skontrolujte, či uvoľňovacie tlačidlá na akumulátore fungujú správne a riadne zaistia akumulátor vo výrobku.	X		
Vyčist'te nasávanie vzduchu na motore. Dbajte na to, aby sa na otvoroch nasávania vzduchu nenachádzali zvyšky trávy alebo nečistoty.	X		
Namažte nenafarbené časti.	X		

	Pri každom použití	Mesačne	Každú sezónu
Namažte diely, kde došlo k opotrebovaniu pozinkovania.	X		
Vyčist'ite a namažte hlavu vrtáka.	X		
Vyčist'ite podávacie rebro.	X		
Skontrolujte, či nabíjačka batérií nie je poškodená, a presvedčte sa, či funguje správne.		X	
Skontrolujte prepojenia medzi batériou a výrobkom. Skontrolujte aj prepojenie medzi akumulátorom a nabíjačkou akumulátorov.			X

## Čistenie podávacieho rebra

- Použitím škrabky odstráňte pôdu a vyčist'ite podávacie rebro. (Obr. 54)

## Výmena podávacieho rebra

- Nakloňte výrobok dopredu a pomaly ho položte na zem.
- Demontujte 2 skrutky (A) a podávacie rebro (B). (Obr. 55)
- Namontujte nové podávacie rebro postupom v opačnom poradí.

## Výmena vrtáka

- Z výrobku odstráňte trávu a nečistoty.



**VAROVANIE:** Dbajte na to, aby sa do vrtáka počas procesu inštalácie nedostali nečistoty alebo iné nežiadúce materiály.

**Poznámka:** Kryt vrtáka vždy po práci očistite a namažte.

- Odstráňte krátku skrutku (A) a hlavu vrtáka (B) z hriadeľa (C). (Obr. 56)

**Poznámka:** Na výmenu vrtáka je potrebný 6 mm šesťhranný kľúč.

- Odstráňte dlhú skrutku (D) a vrták (E) z hlavy vrtáka.
- Vložte nový vrták do hlavy vrtáka a namontujte dlhú skrutku.
- Namontujte hlavu vrtáka na hriadeľ.
- Utiahnite skrutky.

## Čistenie a mazanie hlavy vrtáka

Po každom úkone úplne vyčist'ite hlavu vrtáka.

- Nakloňte výrobok dopredu a pomaly ho položte na zem.

- Pomocou jemnej kefy odstráňte trávu, nečistoty a nežiadúce materiály.
- Na odstránenie menších čiastočiek trávy a nečistôt použite stlačený vzduch.
- Odstráňte skrutky (A) z hlavy vrtáka (B) a vyberte vrták (C). (Obr. 56)
- Uvoľnite 2 skrutky (D) a odstráňte podávacie rebro (E). (Obr. 57)
- Odstráňte skrutku (F) a vyberte hlavu vrtáka (G) z hriadeľa (H). (Obr. 58)
- Na čistenie výrobku použite stlačený vzduch. Uistite sa, že sú odstránené všetky nečistoty, tráva a iné nežiadúce materiály.
- V prípade potreby odstráňte špinavú masť vhodným rozpúšťadlom.
- Všetky diely vyčist'ite vhodným rozpúšťadlom a všetky diely namažte.
- Na hriadeľ naneste mazivo odpuzdujúce vodu. (Obr. 59)

## Čistenie batérie a nabíjačky batérií



**VÝSTRAHA:** Batériu ani nabíjačku batérií nečistite vodou.



**VÝSTRAHA:** Na čistenie akumulátora nepoužívajte žiadne chemické látky.

- Pred vložením batérie do nabíjačky batérií skontrolujte, či sú batéria a nabíjačka batérií čisté a suché.
- Svorky batérie čistite stlačeným vzduchom alebo mäkkou a suchou handričkou.
- Povrch batérie a nabíjačky batérií čistite mäkkou a suchou handričkou.

## Riešenie problémov

### Riešenie problémov

Ak nedokážete nájsť riešenie vašich problémov v tomto návode na používanie, obráťte sa na servisného zástupcu spoločnosti Husqvarna.

Problém	Príčina
Motor sa nedá spustiť.	Batéria nie je nabitá.
	Batéria nie je správne namontovaná.
	Batéria je chybná.
	Ovládací panel je chybný.
Vrták sa neotáča.	Remeň je opotrebovaný.
	Remeň sa vysunul z kladiek.
	Páka dostatočne nenapína remeň.
Po uvoľnení páky ovládania vrtáka sa vrták stále otáča.	Kábel z páky ovládania vrtáka je opotrebovaný alebo poškodený.
Generátor nefunguje správne.	Vrták je opotrebovaný alebo poškodený.
	Vrták nie je správne namontovaný.
Keď je zapnutá páka pohonu, výrobok sa nepohybuje.	Kábel z páky pohonu je opotrebovaný alebo poškodený.
	Prevodové remene sú opotrebované.
	Reťaz je zlomená alebo nie je dostatočne napnutá.
	Spojkové disky v kryte prevodovky sú opotrebované.
Hlava vrtáka sa nedá vybrať.	V jednotke je prítomný nežiadúci materiál.
	Vo vnútri systému sú prítomné oxidy.
Izolácia kábla vloženého do zeme je poškodená.	Výstupný otvor kábla na podávacom rebre je poškodený.
	Trubica, ktorou prechádza kábel a ktorá je súčasťou podávacieho rebra, je znečistená.

### Batéria

Indikátory LED na batérii	Príčina	Riešenie
Bliká zelený indikátor LED.	Napätie batérie je nízke.	Nabite batériu. Pozrite si časť <i>Nabíjanie batérie na strane 369.</i>

Indikátory LED na batérii	Príčina	Riešenie
Bliká indikátor LED, ktorý signalizuje poruchu.	Kapacita batérie je nízka.	Nabite batériu. Pozrite si časť <i>Batéria na strane 373</i> .
	Teplota pracovného prostredia je príliš vysoká alebo príliš nízka.	Batériu používajte v prostredí, v ktorom sa teplota pohybuje od $-10\text{ }^{\circ}\text{C}$ do $40\text{ }^{\circ}\text{C}$ .
	Prepätie.	Uistite sa, že sieťové napätie zodpovedá údajom uvedenému na výkonovom štítku výrobku. Vyberte batériu z nabíjačky batérií. Počkajte 5 sekúnd a znova vyskúšajte nabiť batériu. Ak problém pretrváva, obráťte sa na schváleného servisného zástupcu.
Svieti indikátor LED, ktorý signalizuje poruchu.	Rozdiel napätia článkov je príliš veľký (1 V).	Obráťte sa na schváleného servisného zástupcu.

## Nabíjačka batérií

Indikátor LED na nabíjačke batérií	Príčina	Riešenie
Bliká indikátor LED, ktorý signalizuje poruchu.	Teplota pracovného prostredia je príliš vysoká alebo príliš nízka.	Nabíjačku batérií používajte pri teplotách od $5\text{ }^{\circ}\text{C}$ do $40\text{ }^{\circ}\text{C}$ .
Svieti indikátor LED, ktorý signalizuje poruchu.		Obráťte sa na schváleného servisného zástupcu.

## Ovládací panel

Chybový kód (počet bliknutí)	Možné poruchy	Možný postup
5	Otáčky motora výrazne klesajú a motor sa zastavuje.	Vyčist'ite hlavu vrtáka a znížte hĺbku ukladania kábla. Pozrite si časť <i>Čistenie a mazanie hlavy vrtáka na strane 372</i> a <i>Nastavenie hĺbky ukladania kábla na strane 370</i> . Ak problém pretrváva, obráťte sa na schváleného servisného zástupcu.
8	Kapacita batérie je nízka.	Nabite batériu. Pozrite si časť <i>Nabíjanie batérie na strane 369</i> .
9	Chyba batérie alebo žiaden signál z batérie.	Vložte batériu do výrobku správne a skontrolujte konektor batérie. Ak bliká dióda LED signalizujúca poruchu na batérii, pozrite si časť <i>Batéria na strane 373</i> .
10	Riadenie motora je príliš horúce.	Zastavte motor a počkajte, kým nevychladne.
Ďalšie chyby	Ak sa vyskytnú ďalšie chyby, vyberte bezpečnostný kľúč a batériu a obráťte sa na autorizovaného servisného zástupcu.	

# Preprava, skladovanie a likvidácia

## Úvod



**VÝSTRAHA:** Neúmyselnému spusteniu počas prepravy predídete vyťahnutím bezpečnostného kľúča, vybratím batérie a aspoň 5-sekundovou prestávkou.

## Preprava

- Právne predpisy upravujúce nebezpečný tovar sa vzťahujú aj na používané lítium-iónové batérie.
- Pri obchodnej preprave treba dodržiavať špeciálne požiadavky týkajúce sa balenia a štítkov.
- Počas prípravy výrobku na prepravu zaistíte, aby ste splnili právne predpisy týkajúce sa nebezpečných materiálov. Na túto situáciu sa môžu vzťahovať aj miestne nariadenia.
- Pred prepravou vždy vyberte batériu.
- Konektory batérie prelepte páskou a zaistíte, aby sa batéria počas prepravy nehýbala.
- Počas prepravy výrobok zaistíte.

## Skladovanie

- Pred uskladnením nechajte výrobok vychladnúť.
- Pred uložením vždy vyberte batériu.
- Aby ste predišli nehodám, ubezpečte sa, že batéria nie je počas skladovania pripojená k výrobku.
- Nabíjačku batérie skladujte v uzavretých a suchých priestoroch.
- Batériu a nabíjačku batérie skladujte v uzavretých a suchých priestoroch, kde nie sú vystavené vlhkosti ani mrazu.
- Počas skladovania odpojte batériu od nabíjačky.
- Neskladujte batériu na mieste s výskytom statickej elektriny. Batériu nekladajte do kovovej skrinky.

- Výrobok skladujte pri teplote okolitého prostredia v rozsahu -10 °C až 40 °C.
- Batériu skladujte pri teplote okolitého prostredia v rozsahu 5 °C až 25 °C a nevystavujte ju priamemu slnečnému svetlu.
- Nabíjačku batérie skladujte pri teplote okolitého prostredia v rozsahu 5 °C až 45 °C a nevystavujte ju priamemu slnečnému svetlu.
- Pred dlhodobým skladovaním sa uistite, že batéria je nabitá na 30 – 50 % kapacity.
- Výrobok, batériu a nabíjačku batérie skladujte v uzamknutom priestore mimo dosahu detí a neoprávnených osôb.
- Vyčistite výrobok.
- Vykonávajte údržbu uvedenú v tomto návode na obsluhu. Pozrite si časť *Plán údržby na strane 371*.
- Pred dlhodobým uskladnením vykonajte kompletný servis výrobku.

## Likvidácia

Symbols na výrobku alebo na obale výrobku označujú, že sa tento výrobok nesmie likvidovať ako domáci odpad. Musí sa odovzdať do príslušnej recyklačnej stanice pre recykláciu elektrických a elektronických zariadení.

Zaistením správnej likvidácie tohto výrobku pomôžete zabrániť potenciálnemu negatívnemu dopadu na životné prostredie a zdravie ľudí, ktorý by inak mohol byť dôsledkom nesprávnej likvidácie tohto výrobku. Podrobnejšie informácie o recyklácii tohto výrobku získate na mestskom úrade, od služby zaisťujúcej spracovanie domáceho odpadu alebo v predajni, kde ste výrobok zakúpili.

(Obr. 60)

## Technické údaje

Motor vrtáka	
Typ motora	BLDC (bezkontaktný) 36V
Otáčky motora – menovité, ot./min.	3000/min
Otáčky motora – vysoké zaťaženie, ot./min.	3300/min
Výstupný výkon motora – maximálny, kW	1,8
Výstupný výkon motora – menovitý, kW	1,2
Prevodovka	Mechanická prevodovka s prevodmi v oleji
Prijímač	Remeňový typ, s kladkou
<b>Hmotnosť</b>	

Hmotnosť bez batérie, kg	39
Hmotnosť vrátane 2 x BLi300, kg	43
<b>Batéria</b>	
Typ batérie	Séria batérií Husqvarna
<b>Prevádzková doba batérie</b>	
Prevádzková doba batérie, min. <sup>85</sup>	38
<b>Emisie hluku<sup>86</sup></b>	
Nameraná úroveň akustického výkonu $L_{WA}$ dB(A)	84
Zaručená úroveň hlučnosti $L_{WA}$ dB(A)	86
<b>Úrovně hlučnosti<sup>87</sup></b>	
Hladina akustického tlaku pri uchu obsluhy, dB (A)	66
<b>Úrovně vibrácií<sup>88</sup></b>	
Rukoväť, $m/s^2$	1,8
<b>Zariadenie na ukladanie kábla</b>	
Hĺbka ukladania kábla, cm	1 – 6
Vzdialenosť medzi vrtákom a hranou kolesa, mm	250, 270, 290, 310
Vrták	597 04 84-01

Schválené batérie	Značka	Typ	Kapacita batérie, Ah	Napätie, V	Hmotnosť, kg (lb)
BLi300	Husqvarna	Lítium-iónová	9,4	36	4,1/1,9

Schválené nabíjačky pre uvedené batérie, BLi	Značka	Vstupné napätie, V	Frekvencia, Hz	Výkon, W
QC500	Husqvarna	100–240	50–60	500

<sup>85</sup> Voľnobeh, nameraný s aktivovaným štandardným režimom a 1 Husqvarna 9,4 Ah batériou (BLi300).

<sup>86</sup> Hladina hluku meraná ako akustický tlak ( $L_{WA}$ ) v súlade s európskou smernicou 2000/14/ES.

<sup>87</sup> Uvádzané údaje pre hladinu akustického tlaku majú typický štatistický rozptyl (štandardnú odchýlku) 1,2 dB (A).

<sup>88</sup> Uvádzané údaje pre ekvivalentný stupeň vibrácií majú typický štatistický rozptyl (štandardnú odchýlku) 0,2  $m/s^2$ . Norma vibrácií EN 1032+A1: 2009.



## Vyhlásenie o zhode

### Vyhlásenie o zhode EÚ

My, spoločnosť **Husqvarna AB**, SE-561 82 Huskvarna, Švédsko, tel.: +46-36-146500, vyhlasujeme s plnou zodpovednosťou, že výrobok:

<b>Popis</b>	Pokladač káblov
<b>Značka</b>	Husqvarna
<b>Typ/model</b>	CL400i
<b>Identifikácia</b>	Výrobné čísla od roku 2022 a novšie

plne spĺňa nasledujúce smernice a nariadenia EÚ:

<b>Nariadenie</b>	<b>Popis</b>
2006/42/ES	„o strojových zariadeniach“
2014/30/EÚ	„o elektromagnetickej kompatibilite“
2011/65/EÚ	„o obmedzení používania určitých nebezpečných látok v elektrických a elektronických zariadeniach“

a že sa pri ňom uplatňujú nasledujúce normy a technické špecifikácie: EN ISO 12100:2010, EN ISO 14119:2013, EN ISO 14120:2015, EN ISO 13857:2019, EN 62841-1:2015+AC:2015, EN ISO 11202:2010, EN 1032:2009, EN 55014-1:2017, EN 55014-2:2015, EN 63000:2018.

Informácie týkajúce sa emisií hluku nájdete v časti *Technické údaje na strane 375*.

Huskvarna, 2022-03-21



Claes Losdal, Manažér vývoja/Produkty pre záhradu,  
Husqvarna AB

Zodpovedný za technickú dokumentáciu



---

# VSEBINA

---

Uvod.....	378	Odpravljanje težav.....	388
Varnost.....	379	Transport skladiščenje in odstranitev.....	390
Montaža.....	383	Tehnični podatki.....	391
Delovanje.....	384	Izjava o skladnosti.....	393
Vzdrževanje.....	386		

---

## Uvod

---

### Opis izdelka

Izdelek je upravljani polagalnik kablov.

### Pregled izdelka

(Sl. 1)

1. Vrtalna ročica
2. Ročica za nagibni krmilni ročaj
3. Pogonska ročica
4. Števec
5. Navijalni kolut kabla
6. Podajalnik
7. Vrtalnik
8. Kontrolna plošča
9. Varnostni ključ
10. Baterija (dodatna oprema)
11. Baterijski polnilnik (dodatna oprema)
12. Navodila za uporabo

### Simboli na izdelku

- (Sl. 2) OPOZORILO
- (Sl. 3) Opozorilo: Rotirajoči deli. Roke in noge držite proč.
- (Sl. 4) Pazite na leteče in odbite predmete.
- (Sl. 5) Preberite navodila.
- (Sl. 6) Poskrbite, da so osebe in živali na varni razdalji od delovnega območja.
- (Sl. 7) Nevarnost poškodb oči opazovalcev.
- (Sl. 8) Izdelek ne sme biti izpostavljen dežju.
- (Sl. 9) Uporabljajte zaščitni vizir.
- (Sl. 10) Stanje pripravljenosti (črni gumb).

### Namen uporabe

Izdelek uporabljajte za polaganje omejevalne zanke in vodilne žice za robotske kosilnice v tla. Izdelka ne uporabljajte za druga opravila.

- (Sl. 10) Zagon in zaustavitev motorja (rdeči gumb).
- (Sl. 11) Izdelek ali embalaža izdelka ne spadata med gospodinjske odpadke. Treba ga je reciklirati v zbirnem centru za reciklažo električne in elektronske opreme.
- (Sl. 12) Izdelek je skladen z veljavnimi direktivami ES.
- (Sl. 13) Izdelek je v skladu z veljavnimi direktivami ZK.
- (Sl. 14) Emisija hrupa v okolje je skladna z direktivami in uredbami EU, ZK ter zakonodajo Novega južnega Walesa, in sicer z direktivo "Zaščita okolja pri delu (nadzor hrupa) iz 2017". Zajamčena raven zvočne moči izdelka je navedena na in v *Tehnični podatki na strani 391* in na oznaki.
- (Sl. 15) Izdelek je zaščiten pred kapljicami.

---

**Opomba:** Ostali simboli in oznake na izdelku se nanašajo na zahteve za certifikacijo, ki veljajo za nekatere trge.

---

### Škoda izdelka

Za škodo na izdelku ne odgovarjamo, če:

- Izdelek ni pravilno popravljen.
- Izdelek je popravljen z deli, ki jih ni izdelal ali odobril proizvajalec.
- Na izdelku je nameščena dodatna oprema, ki je ni izdelal ali odobril proizvajalec.

- Izdelek ni bil popravljen v pooblaščenem servisnem centru ali pri pooblaščenem organu.

## Varnost

### Varnostne definicije

Opozorila, svarila in opombe opozarjajo na posebej pomembne dele priročnika.



**OPOZORILO:** Se uporabi, če obstaja nevarnost telesne poškodbe ali smrti uporabnika ali opazovalcev ob neupoštevanju navodil v tem priročniku.



**POZOR:** Se uporabi, če obstaja nevarnost poškodbe izdelka, drugih materialov ali okolice ob neupoštevanju navodil v tem priročniku.

**Opomba:** Se uporabi za podajanje podrobnejših informacij, potrebnih v dani situaciji.

### Splošna varnostna opozorila za izdelek



**OPOZORILO:** Preberite vsa varnostna opozorila, navodila, slike in specifikacije, dobavljene s tem izdelkom. Neupoštevanje vseh spodaj navedenih navodil lahko povzroči električni udar, požar in/ali težko telesno poškodbo.

**Shranite vsa opozorila in navodila za bodočo uporabo.** Izraz »izdelek« v opozorilih se nanaša na (ožičen) izdelek na omrežni pogon ali (brežžičen) izdelek na akumulatorski pogon.

### Varnost delovnega področja

- **Poskrbite za čistočo in dobro osvetlitev delovnega področja.** Prenatrpani ali mračni prostori kar kličejo nesrečo.
- **Izdelka ne uporabljajte v eksplozivnem okolju, na primer v bližini vnetljivih tekočin, plinov ali prahu.** Izdelek sproža iskre, ki lahko vžgejo prah ali hlape.
- **Ne dovolite, da bi bili med uporabo izdelka prisotni otroci ali opazovalci.** Odvratanje pozornosti lahko povzroči izgubo nadzora.

### Električna varnost

- **Vtiči izdelka se morajo ujemati z vtičnico. Vtiča na noben način ne predelujte. Z ozemljenim izdelkom ne uporabljajte adapterjev za vtič.** Nepredelani vtiči in ustrezne vtičnice poskrbijo za zmanjšano nevarnost električnega udara.
- **Izogibajte se telesnega stika z ozemljenimi površinami, kot so cevi, radiatorji, štedilniki in**

**hladilniki.** Če je vaše telo ozemljeno, se nevarnost električnega udara poveča.

- **Izdelka ne izpostavljajte dežju ali vlagi.** Vlaga, ki vdre v izdelek, povečuje nevarnost električnega udara.
- **Ne ravnejte grobo s kablom. Kabla nikoli ne uporabljajte za prenašanje, vlečenje ali odkapljanje izdelka iz vtičnice. Kabel ne sme priti v stik z vročino toplote, oljem, ostrimi robovi ali premikajočimi deli.** Poškodovani ali zavozlani kablji povečujejo nevarnost električnega udara.
- **Če uporabljate izdelek zunaj, uporabljajte kabelski podaljšek, ki je primeren za zunanjo uporabo.** Za zmanjšanje nevarnosti električnega udara uporabljajte kabel, primeren za zunanjo uporabo.
- **Če se ne morete izogniti upravljanju izdelka v vlažnem okolju, uporabite zaščitno napravo na diferencialni tok (RCD).** Uporaba naprave RCD zmanjšuje nevarnost električnega udara.

### Osebnostna zaščita

- **Med uporabo izdelka bodite pozorni, pazite na svoja dejanja in ravnanja razumno. Ne uporabljajte izdelka, ko ste utrujeni oziroma pod vplivom drog, alkohola ali zdravil.** Trenutek nepozornosti med uporabo izdelka lahko povzroči hudo telesno poškodbo.
- **Uporabljajte osebno zaščitno opremo. Vedno uporabljajte zaščito za oči.** Zaščitna oprema, na primer prašna maska, čevlji z nedrsečimi podplati, čelada ali zaščita za sluh, uporabljena v pravih okoliščinah, zmanjšuje nevarnost osebnih poškodb.
- **Izogibajte se neželenemu zagonu. Preden izdelek priključite na omrežje ali akumulator, ga vzamete v roke ali ga prenašate, se prepričajte, da je stikalo v položaju za izklop.** Prenašanje izdelka s prstom na stikalo ali priklop izdelka z vklopljenim stikalom lahko povzroči nesrečo.
- **Preden izdelek vklopite, odstranite ključ za nastavitve ali izvijač.** Če ostane ključ na vrtečem delu izdelka, lahko povzroči telesne poškodbe.
- **Ne hodite predaleč. Vedno zanesljivo stopajte in pazite na ravnotežje.** To vam omogoča boljši nadzor nad izdelkom ob nepričakovanih dogodkih.
- **Primerno se oblecite. Ne nosite ohlapnih oblačil in nakita. Z lasmi in oblačili ne segajte v območje gibljivih delov.** Ohlapne obleke, nakit ali dolgi lasje se lahko zapletejo v premične dele.
- **Če so naprave opremljene s priključkom za odvajanje in zbiranje prahu, mora biti ta zaseden in pravilno uporabljen.** Zbiranje prahu lahko zmanjša nevarnost zaradi vdihavanja tega.
- **Kljub morebitni pogosti uporabi izdelka bodite previdni in upoštevajte varnostna opozorila za izdelek.** Neprimerna uporaba lahko v trenutku povzroči hudo telesno poškodbo.

## Uporaba in nega izdelka

- **Ne preobremenjujte izdelka.** Pri delu uporabljajte **ustrezen izdelek**. Pravi izdelek bo delo opravil bolje in varneje, če deluje pri hitrosti, za katero je bil zasnovan.
- **Izdelka ne uporabljajte, če stikalo za vklop/izklop ne deluje.** Izdelek, ki ga ni mogoče upravljati s stikalom, je nevaren in ga je treba popraviti.
- **Pred izvajanjem nastavitvev, menjavo priključkov ali shranjevanjem izdelka izvlecite vtič iz omrežne vtičnice in/ali odstranite baterijo iz izdelka, če je to mogoče.** Taki preventivni ukrepi pomagajo zmanjšati nevarnost neželenega vklopa izdelka.
- **Izdelek, ki ga ne potrebujete, shranite zunaj dosega otrok in ne dovolite, da bi ga uporabljale osebe, ki ne poznajo izdelka ali teh navodil.** Izdelek je v rokah nepoučenih uporabnikov nevaren.
- **Vzdržujte izdelek in dodatno opremo. Preverite poravnavo ali zatikanje gibljivih delov. Prepričajte se, da noben del ni poškodovan, in preverite vsa druga stanja, ki bi lahko vplivala na delovanje izdelka. Če je izdelek poškodovan, ga pred uporabo odnesite v popravilo.** Veliko nesreč povzročijo slabo vzdrževani izdelki.
- **Rezila naj bodo vedno ostra in čista.** Pravilno vzdrževana rezila z ostrimi rezalnimi robovi se manj zatikajo in jih je lažje kontrolirati.
- **Izdelek, dodatno opremo, rezalne ploščice ipd. uporabljajte skladno s temi navodili ter upoštevajte delovne pogoje in delo, ki ga boste opravljali.** Uporaba izdelka za opravila, za katera ta izdelek ni namenjen, je lahko nevarna.
- **Ročaji in prijemalne površine naj bodo suhi, čisti in brez ostankov olja in masti.** Če so ročaji in prijemalne površine spolzki, ne omogočajo varne uporabe in upravljanja izdelka v nepričakovanih razmerah.

## Servis

- **Popravila izdelka sme izvajati usposobljen serviser, pri tem pa mora uporabljati originalne nadomestne dele.** S tem zagotovite ohranitev kakovosti in varnosti izdelka.
- **Ne servisirajte poškodovanih baterijskih enot.** Baterijo lahko servisirajo samo pooblaščenih serviserji in proizvajalec.

## Uporaba in nega baterije

- **Baterijo polnite le s polnilnikom, ki ga določi proizvajalec.** Polnilnik, ki je primeren za eno vrsto baterij, lahko poveča nevarnost požara pri drugih baterijah.
- **Izdelke uporabljajte le s točno določenimi baterijami.** Če uporabite druge baterije, se lahko poveča nevarnost poškodb in požara.
- **Ko baterije ne uporabljate, ne sme priti v stik z drugimi kovinskimi predmeti, kot so sponke za papir, kovanci, ključi, žebelji, vijaki ali drugi majhni kovinski predmeti, ki lahko vzpostavijo povezavo med dvema**

**poloma.** Kratak stik med poloma baterije lahko povzroči opekline ali požar.

- **Ob nepravilni in grobi uporabi lahko iz baterije izteka tekočina; izogibajte se stiku s tekočino. Če se tekočine nehote dotaknete, sperite roke z vodo. Če pride tekočina v stik z očmi, poiščite zdravniško pomoč.** Tekočina, ki izteka iz akumulatorja, lahko povzroči draženje ali opekline.
- **Ne uporabljajte poškodovanega ali spremenjenega baterijskega paketa ali orodja.** Poškodovane ali predelane baterije se lahko obnašajo nepredvidljivo in lahko posledično zagorijo, eksplodirajo ali predstavljajo nevarnost poškodb.
- **Baterijskega paketa ali orodja ne izpostavljajte ognju ali previsokim temperaturam.** Izpostavljenost ognju ali temperaturam nad 130 °C (265 °F) lahko povzroči eksplozijo.
- **Upoštevajte vsa navodila za polnjenje in ne polnite baterijskega paketa ali orodja pri temperaturah zunaj temperaturnega območja, navedenega v navodilih.** Neustrezna zamenjava ali temperature zunaj dovoljenega območja lahko povzročijo poškodbe baterije in povečajo nevarnost požara.

## Splošna varnostna navodila



**OPOZORILO:** Pred uporabo izdelka preberite navodila v povezavi z opozorili v nadaljevanju.

- Ta izdelek je lahko nevaren, če ga ne uporabljate pravilno ali če niste previdni. Če ne upoštevate varnostnih navodil, lahko nastopijo poškodbe ali celo smrt.
- Izdelek med delovanjem ustvarja elektromagnetno polje. To polje lahko v nekaterih pogojih interferira z aktivnimi ali pasivnimi medicinskimi vsadki. Emisije hrupa za oznako okolja v skladu z EU (vključno z zakonodajo avstralske zvezne države New South Wales) ter direktivami in uredbami Združenega kraljestva.
- Vedno bodite previdni in ravnajte razumno. Če niste prepričani, kako upravljati ta izdelek v določeni situaciji, prenehajte z delom in se pogovorite s prodajalcem Husqvarna.
- Ne pozabite, da je uporabnik odgovoren za nesreče, ki jih povzroči drugim ljudem ali njihovi lastnini.
- Izdelek redno čistite. Pozorno preberite znake in nalepke.
- Naprave ne smejo uporabljati otroci ali osebe, ki niso seznanjene z navodili. Lokalni predpisi lahko omejujejo starost uporabnika.
- Če izdelek uporabljajo osebe z zmanjšanimi fizičnimi ali intelektualnimi sposobnostmi, jih nenehno nadzorujte. Vedno mora biti prisotna odgovorna odrasla oseba.
- Izdelka ne uporabljajte, ko ste utrujeni, bolni, ali pod vplivom alkohola, drog ali zdravil. To negativno vpliva na vaš vid, pozornost, koordinacijo in presojo.

- Če izdelek ne deluje pravilno ali je okvarjen, ga ne uporabljajte.
- Izdelka ne spreminjajte ali uporabljajte, če obstaja možnost, da so ga spremenile tretje osebe.

## Varnost pri delu



**OPOZORILO:** Pred uporabo izdelka preberite navodila v povezavi z opozorili v nadaljevanju.

- Izdelek uporabljajte za polaganje omejevalne zanke in vodilne žice za robotske kosilnice v tla. Izdelka ne uporabljajte za druga opravila.
- Uporabljajte osebno zaščitno opremo. Glejte *Osebna zaščitna oprema na strani 381*.
- V zasilm primeru morate znati motor hitro izklopiti.
- Izdelka ne uporabljajte dežju ali visoki vlagi. Nevarnost električnega udara se poveča, če v izdelek vdre voda.
- Izdelka ne uporabljajte, če sveder in vsi pokrovi niso nameščeni pravilno. Nepravilno nameščen sveder lahko odleti in povzroči poškodbe.
- Z delovnega območja pred začetkom dela odstranite predmete, kot so veje, vejice in kamni.
- Predmete, ki pridejo v stik s polagalnikom kablov, lahko izvrže, zaradi česar lahko poškodujejo osebe in druge predmete. Opazovalci in živali naj bodo na varni razdalji od izdelka.
- Izdelka nikoli ne uporabljajte v slabem vremenu, kot je megla, dež, močan veter, izreden mraz ter nevarnost strele. Če izdelek uporabljate v slabem vremenu ali v vlažnih ali mokrih okoljih, vas bo to utrudilo. Slabo vreme lahko povzroči nevarne pogoje, kot je spolzka podlaga.
- Bodite pozorni na osebe, predmete in situacije, ki lahko preprečijo varno obratovanje izdelka.
- Bodite pozorni na ovire, kot so korenine, kamni, veje, jame in jarki. Visoka trava lahko prekriva ovire.
- Izdelka ne uporabljajte na pobočjih z naklonom, večjim od 15°.
- Pri spreminjanju smeri na naklonih bodite izjemno previdni. Izdelek uporabljajte prečno na pobočje. Ne premikajte se navzgor in navzdol.
- Bodite previdni, kadar se približujete kotom in predmetom, ki omejujejo pogled.
- Pazite, da sveder ne udarja ob predmete, npr. kamenje in korenine. To lahko poškoduje sveder in ukrovi motorno gred. Zvita motorna gred povzroča vibracije in zelo visoko tveganje, da sveder odleti.
- Če sveder trči ob predmet ali začutite vibracije, izdelek nemudoma izklopite. Zaustavite motor, izvlecite varnostni ključ in odstranite baterijo. Počakajte, da se giblivi deli ustavijo. Preglejte, ali je izdelek morda poškodovan. Trdno pritrdite razrahljane dele. Popravite poškodbe in zamenjajte poškodovane dele. Popravilo naj izvede pooblaščen servisier.

- Vrtalne ročice nikoli ne pritrdite trajno na ročaj, ko motor deluje.
- Izdelek vklopite na stabilni in ravni podlagi.
- Vedno bodite za izdelkom, ko ga upravljate.
- Ko upravljate izdelek, morajo biti vsa kolesa na tleh, prav tako pa imejte na ročaju obe roki.
- Z rokami in nogami se ne približujte vrtečemu svedru.
- Ne nagibajte izdelka med njegovim delovanjem in zagonom motorja.
- Ko izdelek potegnete nazaj, bodite previdni.
- Izdelka ne dvigujte, ko motor deluje. Če morate izdelek dvigniti, najprej zaustavite motor, nato izvlecite varnostni ključ in odstranite baterijo.
- Med uporabo izdelka ne hodite vzvratno.
- Ko morate izdelek nagniti za transport, sprostite vrtalno ročico za izkop svedra.
- Pri delujočem motorju ne tecite z izdelkom. Pri uporabi tega izdelka vedno hodite.
- Pred spreminjanjem globine polaganja kablov ustavite motor. Ne izvajajte nastavitev, ko motor deluje.
- Izdelek z delujočim motorjem morate imeti vedno na očeh. Izklopite motor in se prepričajte, da se sveder ne vrti.
- Tresljlaji v izdelku med njegovim delovanjem se lahko razlikujejo od vrednosti tresljlajev, navedenih v razdelku *Tehnični podatki na strani 391*. Razlika je posledica različnih načinov uporabe izdelka. Če izdelek uporabljate pogosto ali dlje časa, delajte redne premore, da preprečite telesne poškodbe zaradi tresljlajev.

## Varnostna navodila za uporabo

Pred uporabo izdelka preberite navodila v nadaljevanju.

- Prepričajte se, da je kabel na vodilu brezhiben.
- Prepričajte se, da je cev v vodilu podajalnika brezhibna. Če je cev izrabljena ali poškodovana, jo zamenjajte.

(Sl. 16)

- Prepričajte se, da rob odprtine cevi ni oster ali poškodovan. Če je vodilo kabla poškodovano, ga zamenjajte.
- Prepričajte se, da so vsi vijaki dobro priviti.
- Prepričajte se, da so vse ročice v nevtralnem položaju.

## Osebna zaščitna oprema



**OPOZORILO:** Pred uporabo izdelka preberite navodila v povezavi z opozorili v nadaljevanju.

- Osebna zaščitna oprema ne more popolnoma preprečiti poškodb, vendar v primeru nesreče omili posledice. Prodajalec naj vam pomaga izbrati ustrezno opremo.

- Uporabite trpežno obutev, ki ne drsi. Ne bodite bosih ali nosite odprtih čevljev.
- Oblečene imejte trpežne, dolge hlače.
- Po potrebi uporabite zaščitne rokavice, npr. kadar pritrujete, pregledujete ali čistite opremo za polaganje kablov.
- Priporočamo uporabo zaščite za sluh.

## Varnostne naprave na izdelku



**OPOZORILO:** Pred uporabo izdelka preberite navodila v povezavi z opozorili v nadaljevanju.

- Ne uporabljajte izdelka z varnostnimi napravami, ki so poškodovane ali ne delujejo pravilno.
- Ne odstranjujte in ne spreminjajte varnostnih naprav.
- Redno preverjajte varnostne naprave. Če so varnostne naprave poškodovane ali ne delujejo pravilno, se obrnite na servisnega zastopnika Husqvarna.

## Varnostni ključ

Varnostni ključ je pod pokrovom baterije. Varnostni ključ skrbi za povezavo baterije, ki napaja motor.

## Preverjanje varnostnega ključa

Varnostni ključ skrbi za povezavo baterije, ki napaja motor.

- Zaženite in zaustavite motor. Če varnostni ključ deluje pravilno, se motor zažene samo, če je v varnostno ključavnico vstavljen ključ.

## Vrtalna ročica

Vrtalna ročica prekine delovanje svedra. Ko sprostite vrtalno ročico, se sveder ustavi.

Za preverjanje vrtalne ročice morate motor zagnati, potem pa vrtalno ročico sprostite. Če se sveder ne ustavi v 3 sekundah, se posvetujte s pooblaščenim servisierjem Husqvarna.

(Sl. 17)

## Varna uporaba baterije



**OPOZORILO:** Pred uporabo izdelka preberite navodila v povezavi z opozorili v nadaljevanju.

- Kot vir napajanja uporabljajte akumulatorske baterije Husqvarna; samo za povezane izdelke Husqvarna. Za preprečevanje poškodb akumulatorske baterije ne uporabljajte za napajanje drugih naprav.
- Ne uporabljajte baterij za enkratno uporabo.
- Nevarnost električnega udara. Poli baterije ne smejo priti v stik s ključi, kovanci, vijaki ali drugimi kovinskimi deli. To lahko povzroči kratek stik akumulatorske baterije.

- V zračne reže akumulatorske baterije ne vstavljajte predmetov.
- Akumulatorske baterije ne izpostavljajte neposredni sončni svetlobi, vročini ali odprtemu ognju. Akumulatorska baterija lahko eksplodira in povzroči opekline in/ali kemične opekline.
- Akumulatorska baterije ne izpostavljate dežju in vlagi.
- Akumulatorske baterije ne izpostavljajte mikrovalovom in visokemu tlaku.
- Akumulatorske baterije ne poskušajte razstaviti ali odpreti.
- Če baterija pušča, pazite, da tekočina ne pride v stik s telesom ali očmi. Če ste se tekočine dotaknili, območje očistite z obilo vode in poiščite zdravniško pomoč.
- Akumulatorsko baterijo uporabljajte samo v okolju s temperaturami med 5 °C in 40 °C.
- Polnilnik akumulatorske baterije uporabljajte samo v okolju s temperaturami med 5 °C in 40 °C.
- Če temperatura akumulatorske baterije presega 50 °C, se baterija ne bo polnila.
- Akumulatorske baterije ali polnilnika nikoli ne čistite z vodo. Glejte, *Čiščenje baterije in baterijskega polnilnika na strani 388*.
- Ne uporabljajte poškodovane akumulatorske baterije.
- Akumulatorske baterije med skladiščenjem ne smejo priti v stik s kovinskimi predmeti, na primer žebli, kovanci ali nakitom.

## Varna uporaba polnilnika baterije



**OPOZORILO:** Pred uporabo izdelka preberite navodila v povezavi z opozorili v nadaljevanju.

- Za polnjenje nadomestnih baterij Husqvarna uporabljajte samo polnilnike baterij QC.
- Nevarnost električnega udara ali kratkega stika. V zračne reže polnilnika ne vstavljajte predmetov. Polnilnika baterije ne poskušajte razstaviti. Poli na polnilniku se ne smejo dotikati kovinskih predmetov. Uporabljajte homologirano omrežno vtičnico.
- Izdelek med delovanjem ustvarja elektromagnetno polje. To polje lahko v nekaterih pogojih interferira z aktivnimi ali pasivnimi medicinskimi vsadki. Da bi zmanjšali nevarnost ki bi lahko povzročila telesne poškodbe ali smrt, priporočamo, da se osebe z medicinskimi vsadki pred uporabo izdelka posvetujejo s svojim zdravnikom in proizvajalcem vsadka.
- Redno preverjajte, da napajalni kabel polnilnika ni poškodovan in ni napokan.
- Polnilnika akumulatorske baterije ne dvigujte za napajalni kabel. Polnilnik baterije odklopite iz stenske vtičnice tako, da povlečete vtič. Nikoli ne vlecite za napajalni kabel.

- Pazite, da se napajalni kabel in kabelski podaljški ne dotaknejo vode, olja in ostrih robov. Kabli ne smejo biti preščipnjeni med vrata, ograje in podobne dele. Zaradi tega je lahko polnilnik pod napetostjo.
- Polnilnika akumulatorske baterije nikoli ne čistite z vodo.
- Polnilnik akumulatorske baterije lahko uporabljajo otroci, stari 8 let in več, ter osebe z omejenimi telesnimi, zaznavalnimi ali duševnimi sposobnostmi ali s pomanjkanjem izkušenj in znanja, če so pri tem pod nadzorom ali jih o varni uporabi ter morebitnih nevarnostih podučijo odgovorna oseba. Otroci se s polnilnikom akumulatorske baterije ne smejo igrati. Otroci naprave brez nadzora ne smejo čistiti, ali opravljati običajnih uporabnikovih vzdrževalnih posegov.
- V polnilniku akumulatorske baterije ne polnite baterij za enkratno uporabo.
- Polnilnika akumulatorske baterije ne uporabljajte v bližini gorljivih materialov ali materialov, ki povzročajo korozijo. Polnilnika akumulatorske baterije ne pokrivajte. V primeru dima ali požara izvlomite vtič polnilnika baterije.
- Ne uporabljajte poškodovan polnilnik akumulatorske baterije.
- Akumulatorsko baterijo polnite le v zaprtih prostorih z dobrim prezračevanjem, kjer je zaščiten pred neposredno sončno svetlobo. Akumulatorske enote ne polnite v stiku z vodo ali vlago.
- Pred vzdrževanjem izdelka odstranite varnostni ključ.
- Vzdrževalna dela opravljajte pravilno in tako podaljšajte življenjsko dobo izdelka ter zmanjšajte nevarnost nesreč. Pooblaščen servisier naj opravi popravila, za katera je zahtevano profesionalno osebje. Za več informacij se obrnite na najbližjega servisnega zastopnika.
- Vzdrževalna dela opravite tako, kot piše v teh navodilih za uporabo.
- Pri delih na opremi za polaganje kablov uporabljajte izjemno trpežne rokavice.
- Za najboljše in najvarnejše delovanje mora biti izdelek čist.
- Izdelek naj redno preverja in po potrebi nastavlja ter popravlja pooblaščen servisna delavnica.
- Zamenjajte poškodovane, obrabljene ali zlomljene dele.
- Upoštevajte navodila za zamenjavo dodatne opreme. Uporabljajte samo dodatno opremo, ki jo odobri proizvajalec.
- Ko izdelka ne uporabljate, morate izdelek, baterijo in polnilnik baterije hraniti ločeno v suhem, zaprtem in zaklenjenem prostoru. Otroci in osebe, katerim uporaba ni dovoljena, ne smejo imeti dostopa do izdelka, baterije ali polnilnika baterije.

## Varnostna navodila za vzdrževanje



**OPOZORILO:** Pred uporabo izdelka preberite navodila v povezavi z opozorili v nadaljevanju.

## Montaža

### Uvod



**OPOZORILO:** Preden začnete sestavljati izdelek, morate prebrati in razumeti poglavje o varnosti.

### Namestitev svedra

1. Sveder (A) vstavite v vrtno glavo (B) in vstavite dolg vijak (C). (Sl. 18)

**Opomba:** Za namestitev svedra potrebujete 6-milimetrski ključ inbus.

2. S kratkim vijakom (E) na gred (D) namestite vrtno glavo.
3. Zategnite vijake.

### Namestitev kabla

Izdelek ima odstranljiv navijalni kolut s sklopko.

1. Kabel namestite na navijalni kolut. Z ročico obračajte navijalni kolut v smeri vrtenja urnih kazalcev.

**Opomba:** Kabel je treba na kolut namestiti v smeri vrtenja urnih kazalcev, tako da se lahko med polaganjem tekoče odvlja. (Sl. 19)

2. Kabel speljite v cev podajalnika (A), dokler ta iz spodnje strani (B) ne izstopa pribl. 5 cm. (Sl. 20)

### Nameščanje in odstranjevanje navijalnega koluta

1. Odvijte gumbni vijak (A). (Sl. 21)
2. Odstranite varovalni zatič (B).
3. Odstranite navijalni kolut (C).
4. Namestite navijalni kolut (D). Po potrebi uporabite nastavek. (Sl. 22)
5. Namestite varovalni zatič (E) in zategnite gumbni vijak (F).

# Delovanje

## Uvod



**OPOZORILO:** Pred uporabo izdelka morate prebrati in razumeti poglavje o varnosti.

## Husqvarna Fleet Services™

Husqvarna Fleet Services™ je storitev v oblaku, ki uporabniku omogoča pregled nad vsemi izdelki, ki so povezani. Na ta izdelek lahko namestite senzor Husqvarna Fleet Services™. Senzor Husqvarna Fleet Services™ zbira podatke o izdelku in omogoča povezavo s sistemom Husqvarna Fleet Services™. Sistem Husqvarna Fleet Services™ posreduje podatke, kot so čas delovanja, intervali vzdrževanja in lokacija izdelka.

Za več informacij o Husqvarna Fleet Services™ prenesite aplikacijo Husqvarna Fleet Services™ ali se obrnite na predstavnika družbe Husqvarna.

## Priprava senzorja (dodatna oprema)

1. S ključem senzorja odprite pokrov senzorja. (Sl. 23)
2. Odstranite senzor.
3. Senzor priključite na baterijo. Indikator senzorja mora zasvetiti. (Sl. 24)
4. Prenesite aplikacijo Husqvarna Fleet Services™.
5. Prijavite se v aplikacijo Husqvarna Fleet Services™.
6. Seznanite naprave. Glejte *Seznanjanje aplikacije in izdelka na strani 384*

## Seznanjanje aplikacije in izdelka

1. Prijavite se v aplikacijo Husqvarna Fleet Services™.
2. V aplikaciji izberite svoj izdelek.
3. Z mobilno napravo skenirajte kodo za senzorjem, da ga namestite v napravo.

**Opomba:** Izdelek je treba z aplikacijo seznaniti samo enkrat.

## Namestitev senzorja

1. Prepričajte se, da je senzor povezan z aplikacijo Husqvarna Fleet Services™. Glejte *Seznanjanje aplikacije in izdelka na strani 384*.
2. Ob oznaki v reži v ohišju izvrтайте 2 odprtini. (Sl. 25)

**Opomba:** Velikost odprtini se mora ujemati s kovicami, ki so priložene senzorju.

3. S kleščami odstranite zunanjo izvrtino na reži senzorja. (Sl. 26)
4. Ob oznaki v reži senzorja izvrтайте 2 odprtini. (Sl. 27)

5. Poravnajte režo senzorja z režo ohišja. (Sl. 28)
6. S kovicami pritrdite režo senzorja.
7. Senzor namestite v režo senzorja. Poravnajte belo oznako na senzorju z oznako na reži senzorja. (Sl. 29)
8. Zaprite pokrov senzorja in ga zaklenite s ključem senzorja. Pazite, da bo zgornji del črke "H" za Husqvarna usmerjen stran od varnostnega ključa. (Sl. 30)

## Akumulator



**OPOZORILO:** Pred uporabo baterije morate prebrati in razumeti poglavje o varnosti. Prebrati in razumeti morate tudi navodila za uporabo, ki so priložena bateriji in polnilniku.

Baterijo in polnilnik baterije shranjujte v prostoru s pravilno temperaturo.

	Temperatura okolice
Delovanje baterije	Od 5 °C do 40 °C
Polnjenje baterije	Od 5 °C do 40 °C

## Stanje baterije

Na zaslonu je prikazana preostala napolnjenost baterije in podatki o morebitnih težavah z baterijo. Napolnjenost baterije je prikazana še 5 sekund po izklopu naprave ali pritisku gumba indikatorja baterije. V primeru napake sveti na bateriji opozorilni indikator. Glejte *Baterija na strani 389*.

(Sl. 31)

Indikatorji LED	Stanje baterije
Vsi indikatorji LED svetijo	Polna napolnjenost (75–100 %)
Svetijo indikatorji LED 1, 2 in 3	50–75-odstotna napolnjenost
Svetita indikatorji LED 1 in 2	25–50-odstotna napolnjenost
Sveti indikator LED 1	0–25-odstotna napolnjenost
Indikator LED 1 utripa	Baterija je prazna. Napolnite baterijo.

## Polnjenje baterije

Baterijo pred prvo uporabo napolnite. Baterija je ob dobavi napolnjena na 30 %.



**Opomba:** Baterijski polnilnik mora biti priključen na napetost in frekvenco, ki sta navedena na tipski ploščici.

Če je temperatura baterije višja od 50 °C, se ne polni. Polnilnik baterije pred polnjenjem zniža temperaturo baterije.

1. En konec napajalnega kabla vstavite v konektor v polnilniku baterije.
2. Drugi konec napajalnega kabla polnilnika priključite v primerno ozemljeno električno vtičnico. Indikator LED na polnilniku baterije enkrat utripne zeleno. (Sl. 32)
3. Baterijo vstavite v polnilnik baterije. Zeleni indikator na polnilniku se vklopi, ko je baterija pravilno vstavljena v polnilnik. (Sl. 33)
4. Ko se vsi indikatorji LED na bateriji vklopijo, je baterija popolnoma napolnjena. Baterijo polnite največ 24 ur.
5. Polnilnik baterije iz stenske vtičnice izvlecite za vtič, ne za kabel.
6. Odstranite baterijo iz polnilnika.

### Stanje napoljenosti baterije

Litij-ionske baterije Husqvarna lahko polnite in uporabljate pri vseh nivojih napoljenosti. Baterija se ne poškoduje. Napoljenost popolnoma napolnjene baterije ne pada, če jo pustite v polnilniku.

Indikatorji LED	Stanje napoljenosti
Indikator LED 1 utripa	0–25 %
LED 1 sveti, LED 2 utripa	25–50 %
LED 1 in 2 svetita, LED 3 utripa	50–75 %
LED 1, 2 in 3 svetijo, LED 4 utripa	75–100 %
LED 1, 2, 3 in 4 svetijo	Polna napoljenost

### Pred uporabo izdelka

1. V poltenih mesecih ali če je zemlja suha, dan pred izvedbo del zalijte tla.
2. Drugi ljudje ali živali morajo biti od izdelka oddaljeni vsaj 20 m.
3. Kabel namestite na navijalni kolut. Glejte *Namestitvev kabla na strani 383*.
4. Nastavitev globino polaganja kablov. Glejte *Nastavitev globine polaganja kablov na strani 385*.
5. Konec kabla pritrdite s palico.

### Zagon izdelka

1. Ročaj nagnite na strani. Glejte, *Za nagibanje ročaja na strani 385*.

2. Odprite pokrov za baterijo.
3. Napolnjeno baterijo vstavite v režo 1 pod pokrovom baterije. Za daljše delovanje v režo 2 vstavite drugo napolnjeno baterijo.
4. Odklopite varnostni ključ z držala za varnostni ključ.
5. Varnostni ključ potisnite v varnostno ključavnico. (Sl. 34)
6. Ostanite za izdelkom.
7. Pritisnite gumb za stanje pripravljenosti na krmilni plošči. Vklopi se lučka stanja pripravljenosti (B). (Sl. 35)
8. Pritisnite gumb za zagon/zaustavitev (C), da se zaskoči. Motor se zažene.



**POZOR:** Izdelka ne uporabljajte, če opozorilna lučka (D) utripa rdeče.

9. Ročico za upravljanje svedra potisnite v smer ročaja in tako aktivirajte sveder. (Sl. 36)

### O uporabi pogona koles

- Povlecite pogonsko ročico (A) proti ročaju za aktivacijo pogona koles. (Sl. 37)
- Sprostite pogonsko ročico za izklop pogona koles.

### Nastavitev globine polaganja kablov

1. Odvijte gumbni vijak (A). (Sl. 38)
2. Nastavite podporno kolesce (B) na ustrezno globino za polaganje kablov in zategnite gumbni vijak.

**Opomba:** Številke (C) na strani cevi pri podpornem kolescu označujejo globino polaganja v cm. Globino polaganja kablov je mogoče nastaviti med 1 in 6 cm.

### Nastavitev višine ročaja

Višino ročaja lahko predstavljate med 5 višinami.

1. Vrtljivi gumb (A) obrnite v nasprotni smeri vrtenja urinih kazalcev in odstranite ročico (B). (Sl. 39)
2. Nastavite višino ročaja in vstavite gumbni vijak v odprtino za najprimernejši položaj.
3. Gumbni vijak obrnite v smeri vrtenja urinega kazalca in ga zategnete.

### Za nagibanje ročaja

Ročaj lahko nagnete in se tako izognete trkom z ovirami med upravljanjem izdelka. Ročaj je mogoče nagniti v 4 položaje v desno stran in 4 položaje v levo stran.

1. Ročico nagibnega ročaja (A) povlecite k ročaju in jo v tem položaju pridržite. Ročica nagibnega ročaja je v spodnjem levem delu ročaja. (Sl. 40)

2. Ročaj nagnite v 1 od 4 položajev v levo ali desno in sprostite ročico za nagib. Zatič, s katerim je pritrjen nagibni ročaj, mora biti vstavljen v 1 od rež. (Sl. 41)

## Zaklepanje funkcije vrtenja podajalnika

Za povečanje natančnosti smeri med polaganjem kabla v daljših ravninah, lahko zaklenete funkcijo vrtenja podajalnika.

- Podajalnik usmerite v enaki smeri kot izdelek inategnite krilno matico (A). (Sl. 42)

## Nastavitev vodila kabla

Izdelek je primeren za kable debeline 4 mm. Če ima kabel večji premer, morate vodilo nastaviti.

1. Odvijte vijaka. (Sl. 43)
2. Vodilo kablov dvignite za nekaj milimetrov.
3. Privijte vijaka.

## Nastavitev širine koloteka

Položaj koles je mogoče prilagoditi na različne širine kolotekov. Na levi in na desni strani preme so po 4 nastavitvene odprtine. Širino koloteka je mogoče nastaviti na 250, 270, 290 ali 310 cm oddaljenosti od središča svedra. (Sl. 44)

1. Izvlecite zatič (A).
2. Kolesa nastavite na željeno širino koloteka.
3. Zatič vstavite v eno od 4 odprtin (B) v premi.
4. Blokirate varnostno vzmet.

## Začetek dela

Ko namestite kabel in sveder, morate kabel pritrditi na tla.

1. V tla zabijte klin.
2. Nanj privežite konec kabla, ki sega iz spodnjega dela vodila kabla.

## Uporaba dvojnih vodil kablov

Če se izdelek odmakne od zunanega območja delovnega območja, je treba hkrati položiti 2 kabla.

1. Enega od kablov vkopljite vzdolž celotnega območja. Glejte slike (A) in (B). (Sl. 45) (Sl. 46)

2. Ko ste na točki, prikazani na sliki (C), podporno kolesce dvignite v najvišji položaj in podajalnik dvignite nad tla. Kabel pričvrstite s klinom in kabel speljite nad tlemi, dokler ne dosežete naslednje točke. (Sl. 47)
3. Kabel pritrdite s klinom, kot je prikazano na sliki (D). (Sl. 48)
4. Podajalnik nastavite na ustrezno globino za polaganje in nadaljujte s polaganjem kabla ter tako ustvarite zaključeno območje. Glejte sliko (E). (Sl. 49)
5. Ko dosežete točko, ki jo prikazuje slika (F), odstranite klin in očistite podajalnik. Glejte *Čiščenje podajalnika na strani 387*. (Sl. 50)
6. Kabel nad tlemi napeljite skozi vodilo za kabel. (Sl. 51)
7. Oba kabla sočasno položite do točke, prikazane na sliki (G). Kabla pritrdite na klin in drugi kabel odstranite iz vodila kabla. (Sl. 52)
8. Nadaljujte s polaganjem omejevalnega kabla do točke, prikazane na sliki (H). (Sl. 53)

## Izklop izdelka

Izdelek se samodejno izklopi po 3 minutah mirovanja.

1. Sprostite pogonsko ročico (A) za izklop pogona koles. (Sl. 37)
2. Sprostite vrtno ročico za izklop delovanja svedra. (Sl. 17)
3. Pritisnite gumb za zagon/zaustavitev stroja na krmilni plošči.
4. Pritisnite gumb stanja pripravljenosti na krmilni plošči.
5. Odprite pokrov za baterijo.
6. Varnostni ključ odstranite iz varnostne ključavnice in ga vstavite v držalo varnostnega ključa.
7. S strgalom očistite podajalnik. Glejte *Čiščenje podajalnika na strani 387*.
8. Po vsaki uporabi očistite in namažite vrtno glavo. Glejte *Čiščenje in mazanje vrtnalne glave na strani 387*.

---

## Vzdrževanje

---

### Uvod



**OPOZORILO:** Pred izvajanjem vzdrževalnih del morate prebrati in razumeti poglavje o varnosti.

Za servisiranje in popravila na izdelku posebno usposabljanje ni potrebno. Zagotavljamo, da vam bodo na voljo strokovna popravila in servisiranje.

Za več informacij glejte [www.husqvarna.com](http://www.husqvarna.com).

## Urník vzdrževanja

Izračunani intervali vzdrževanja veljajo za vsakodnevno uporabo izdelka. Intervali se spremenijo, če izdelka ne uporabljate vsakodnevno.

Za vzdrževalne posege, označene z zvezdico \*, glejte *Varnostne naprave na izdelku na strani 382*.

	Pri vsaki uporabi	Mesečno	Vsako sezono
Opravite splošen pregled.	X		
Prepričajte se, da varnostne naprave izdelka niso poškodovane*.	X		
Preglejte sveder in podajalnik.	X		
Preverite vrtlno ročico*.	X		
Preverite pravilno delovanje in brezhibnost gumba za vklop/izklop.	X		
Preverite, ali je baterija poškodovana.	X		
Preverite napolnjenost baterije.	X		
Prepričajte se, da gumba za sprostitev na bateriji delujeta pravilno in omogočata pravi zaklep baterije v izdelku.	X		
Očistite dovod zraka na motorju. Prepričajte se, da na odprtinah za dovod zraka ni trave ali umazanije.	X		
Namažite nebarvane dele.	X		
Namažite dele, kjer se je cinkova prevleka obrabljena.	X		
Očistite in namažite vrtlno glavo.	X		
Očistite podajalnik.	X		
Preverite, ali je polnilnik baterije poškodovan, in se prepričajte, da pravilno deluje.		X	
Preverite povezave med baterijo in izdelkom. Preverite tudi povezave med baterijo in polnilnikom baterije.			X

## Čiščenje podajalnika

- S strgalom odstranite zemljo s podajalnika. (Sl. 54)

## Zamenjava podajalnika

1. Izdelek nagnite naprej in ga počasi položite na tla.
2. Odstranite 2 vijaka (A) in podajalnik (B). (Sl. 55)
3. Namestite nov podajalnik v obratnem zaporedju.

## Zamenjava svedra

1. Z izdelka odstranite travo in zemljo.



**POZOR:** Zemlja ali drugi neželeni tujki med postopkom namestitve ne smejo vdreti v sveder.

**Opomba:** Po vsaki uporabi očistite in namažite ohišje svedra.

2. Kratke vijake (A) in vrtlno glavo (B) odstranite z gredi (C). (Sl. 56)

**Opomba:** Za zamenjavo svedra potrebujete 6 mm ključ inbus.

3. Dolgi vijak (D) in sveder (E) odstranite z vrtlne glave.
4. V vrtlno glavo vstavite nov sveder in ga pritrdite z dolgim vijakom.
5. Na gred namestite vrtlno glavo.
6. Zategnite vijake.

## Čiščenje in mazanje vrtlne glave

Po vsaki uporabi popolnoma očistite vrtlno glavo.

1. Izdelek nagnite naprej in ga počasi položite na tla.
2. Z mehko krtačo odstranite travo, zemljo in neželene tujke.

3. S stisnjanim zrakom odstranite manjše delce trave in zemlje.
4. Odstranite vijake (A) z vrtalne glave (B) in odstranite sveder (C). (Sl. 56)
5. Sprostite 2 vijaka (D) in odstranite podajalnik (E). (Sl. 57)
6. Odstranite vijak (F) in snemite vrtalno glavo (G) z gredi (H). (Sl. 58)
7. Izdelek očistite s stisnjanim zrakom. Odstraniti morate zemljo, travo in druge neželene tujke.
8. Po potrebi umazano mast odstranite z ustreznim topilom.
9. Vse sestavne dele očistite s primernim topilom, nato pa vse dele namažite.
10. Na gred nanesite vodoodbojno mast. (Sl. 59)



**OPOZORILO:** Izdelka ne čistite s kemičnimi snovmi.

- Pred vstavljanjem baterije v polnilnik baterije se prepričajte, da sta baterija in polnilnik baterije čista in suha.
- Pola baterije očistite s stisnjanim zrakom ali za čiščenje uporabite mehko in suho krpo.
- Površine baterije in polnilnika očistite z mehko in suho krpo.

## Čiščenje baterije in baterijskega polnilnika



**OPOZORILO:** Baterije ali polnilnika nikoli ne čistite z vodo.

## Odpravljanje težav

### Odpravljanje težav

Če rešitve težave ne najdete v teh navodilih, se obrnite na pooblaščen servisno delavnico Husqvarna.

Težava	Vzrok
Motor se ne zažene.	Baterija ni napolnjena.
	Baterija je ni pravilno nameščena.
	Baterija je okvarjena.
	Krmilna plošča je v okvari.
Sveder se ne vrti.	Jermen je obrabljen.
	Jermen se je snel z jermenic.
	Vzvod premalo napenja jermen.
Sveder se vrti še naprej, čeprav je vrtalna ročica sproščena.	Pletenica vrtalne ročice je obrabljena in poškodovana.
Izdelek ne deluje pravilno.	Sveder je obrabljen ali poškodovan.
	Sveder ni pravilno nameščen.
Izdelek se ne premika, če je pogonska ročica aktivirana.	Pletenica pogonske ročice je obrabljena in poškodovana.
	Jermeni menjalnika so obrabljeni.
	Veriga je pretrgana ali je premalo napeta.
	Lamele sklopke v ohišju menjalnika so obrabljene.

Težava	Vzrok
Vrtalne glave ni mogoče odstraniti.	V enoti je neželen material.
	Oksidacija v sistemu.
Izolacija kabla za polaganje v tla je poškodovana.	Izhodna odprtina za kabel v polagalniku je poškodovana.
	Cev, skozi katero prehaja kabel in je del polagalnika, je umazana.

## Baterija

LED na bateriji	Vzrok	Rešitev
Zeleni indikator LED utripa	Napetost baterije je prenizka.	Napolnite baterijo. Glejte <i>Polnjenje baterije na strani 384</i> .
Indikator LED za napako utripa.	Napolnjenost baterije je nizka.	Napolnite baterijo. Glejte <i>Baterija na strani 389</i> .
	Temperatura v delovnem okolju je previsoka ali prenizka.	Baterijo uporabljajte v okolju s temperaturami med $-10\text{ }^{\circ}\text{C}$ in $40\text{ }^{\circ}\text{C}$ .
	Prenapetost.	Prepričajte se, ali je napetost omrežja enaka napetosti, navedeni na tipski ploščici izdelka. Odstranite baterijo iz polnilnika. Počakajte 5 sekund in baterijo poskusite napolniti znova. Če napake ne morete odpraviti, se obrnite na pooblaščenega servisnega zastopnika.
Indikator LED za napako sveti.	Razlika med celicami je prevelika (1 V).	Obrnite se na pooblaščenega servisnega zastopnika.

## Polnilnik baterije

LED na polnilniku baterije	Vzrok	Rešitev
Indikator LED za napako utripa.	Temperatura v delovnem okolju je previsoka ali prenizka.	Polnilnik baterije uporabljajte v okolju s temperaturami med $5\text{ }^{\circ}\text{C}$ in $40\text{ }^{\circ}\text{C}$ .
Indikator LED za napako sveti.		Obrnite se na pooblaščenega servisnega zastopnika.

## Kontrolna plošča

Koda napake (število utripov)	Možne napake	Možen postopek
5	Število vrtljajev motorja preveč upade in motor se izklopi.	Očistite vrtalno glavo in zmanjšajte globino polaganja kablov. Glejte <i>Čiščenje in mazanje vrtalne glave na strani 387</i> in <i>Nastavitev globine polaganja kablov na strani 385</i> . Če napake ne morete odpraviti, se obrnite na pooblaščenega servisnega zastopnika.

Koda napake (število utripov)	Možne napake	Možen postopek
8	Napolnjenost baterije je nizka.	Napolnite baterijo. Glejte <i>Polnjenje baterije na strani 384</i> .
9	Napaka baterije ali baterija ne oddaja signala.	Baterijo pravilno vstavite v izdelek in preverite priključek baterije. Če indikator LED za napako baterije utripa, glejte <i>Baterija na strani 389</i> .
10	Krmilnik motorja je prevroč.	Izklopite motor in počakajte, da se ohladi.
Druge napake	Če pride do drugih napak, izvlecite varnostni ključ, odstranite baterijo in se obrnite na pooblaščenega serviserja.	

## Transport skladiščenje in odstranitev

### Uvod



**OPOZORILO:** Nenačrtovan vklop med transportom preprečite tako, da izvlečete varnostni ključ, odstranite baterijo in počakate vsaj 5 sekund.

### Prevoz

- Za vstavljene litij-ionske baterijske enote veljajo zahteve zakonodaje o nevarnem blagu.
- Pri transportu v komercialne namene morate upoštevati posebne zahteve, navedene na pakiranju in nalepkah.
- Pri pripravi izdelka za transport morate upoštevati uredbe za ravnanje z nevarnimi materiali. Veljajo lokalni predpisi.
- Baterijo pri prevozu vedno odstranite.
- Na priključke baterije namestite izolacijski trak in se prepričajte, da se baterija med transportom ne more premikati.
- Med izdelek pritrdite.

### Shranjevanje

- Pustite, da se izdelek ohladi, preden ga shranite.
- Baterijo pri skladiščenju vedno odstranite.
- Za preprečevanje nesreč baterija med skladiščenjem ne sme biti priklopljena.
- Polnilnik baterije vedno hranite v zaprtem in suhem prostoru.
- Baterijo in polnilnik baterije hranite v zaprtem prostoru, kjer ni vlage ali nevarnosti zamrzovanja.
- Med shranjevanjem baterijo odstranite iz polnilnika.
- Baterijske ne shranjujte na mestu, kjer je lahko prisotna statična elektrika. Baterije ne shranjujte v kovinski škattli.

- Izdelek shranjujte v prostoru s temperaturo med  $-10^{\circ}\text{C}$  in  $40^{\circ}\text{C}$ .
- Baterijo shranjujte v prostoru s temperaturo med  $5^{\circ}\text{C}$  in  $25^{\circ}\text{C}$ , ki je zaščiten pred neposredno sončno svetlobo.
- Polnilnik baterije shranjujte v prostoru s temperaturo med  $5^{\circ}\text{C}$  in  $45^{\circ}\text{C}$ , ki je zaščiten pred neposredno sončno svetlobo.
- Pred dolgotrajnejšim skladiščenjem mora biti baterija napolnjena med 30 % in 50 %.
- Izdelek, baterijo in polnilnik hranite v zaklenjenem prostoru, do katerega otroci in nepooblaščen osebe nimajo dostopa.
- Izdelek očistite.
- Vzdrževalna dela opravite tako, kot je navedeno v teh navodilih za uporabo. Glejte *Urnik vzdrževanja na strani 387*.
- Če nameravate izdelek shraniti za dalj časa, najprej opravite popoln servis.

### Odlaganje

Simboli na izdelku ali njegovi embalaži opozarjajo, da izdelka ne smete obravnavati kot gospodinjstvega odpadka. Odnesti ga je treba v ustrezno zbirališče, kjer bodo poskrbeli za recikliranje električnih in elektronskih naprav.

Z zagotavljanjem pravilne obravnave izdelka boste pomagali preprečiti njegov morebiten škodljiv učinek na okolje in ljudi, do katerega bi lahko prišlo, kot posledica nepravilnega upravljanja z odpadki. Podrobnejše informacije o recikliranju tega izdelka lahko dobite v svoji občini, v komunalnem podjetju ali v trgovini, kjer ste ga kupili.

(Sl. 60)

## Tehnični podatki

<b>Motor vrtnika</b>	
Tip motorja	BLDC (brezkračni enosmerni) 36 V
Št. vrt. motorja – nazivno, vrt/min	3000/min
Št. vrt. motorja – visoka obremenitev, vrt/min	3300/min
Najvišja izhodna moč motorja v kW	1,8
Nazivna izhodna moč motorja v kW	1,2
Menjalnik	Mehanski menjalnik z zobniki v oljni kopeli
Sklopka	Vrsta jermena, z jermenico
<b>Teža</b>	
Teža brez baterije v kg	39
Teža, vključno z 2 × Bli300 v kg	43
<b>Baterija</b>	
Vrsta baterije	Serijska baterij Husqvarna
<b>Avtonomija baterije</b>	
Avtonomija baterije, najmanj <sup>89</sup>	38
<b>Emisije hrupa <sup>90</sup></b>	
Raven zvočne moči, zajamčena L <sub>WA</sub> dB(A)	84
Raven zvočne moči, zajamčena L <sub>WA</sub> v dB(A)	86
<b>Nivoji hrupa <sup>91</sup></b>	
Nivo zvočnega tlaka pri ušesu operaterja, dB(A)	66
<b>Ravni vibracij <sup>92</sup></b>	
Ročaj, m/s <sup>2</sup>	1,8
<b>Oprema za polaganje kablov</b>	
Globina polaganja kablov v mm	1–6
Razdalja med svedrom in robom kolesa v mm	250, 270, 290, 310
Vrtalnik	597 04 84-01

<sup>89</sup> Prosti tek, merjeno pri aktiviranem standardnem načinu ob uporabi 1 9,4-Ah baterije Husqvarna (Bli300).

<sup>90</sup> Emisije hrupa v okolje, merjene kot moč zvoka (L<sub>WA</sub>), v skladu z direktivo ES 2000/14/ES.

<sup>91</sup> Zabeleženi podatki za nivo zvočnega tlaka imajo tipično statistično razpršitev (standardni odklon) 1,2 dB (A).

<sup>92</sup> Zabeleženi podatki za raven vibracij imajo tipično statistično razpršitev (standardni odklon) 0,2 m/s<sup>2</sup>. Standard za vibracije EN 1032+A1:2009.

Homologirane baterije	Znamka	Vrsta	Zmogljivost akumulatorja, Ah	Napetost, V	Teža, lb/kg
BLi300	Husqvarna	Litij-ionska	9,4	36	4,1/1,9

Odobreni polnilniki za določene baterije, BLi	Znamka	Vhodna napetost, V	Frekvenca, Hz	Moč, W
QC500	Husqvarna	100–240	50–60	500



# Izjava o skladnosti

## Izjava EU o skladnosti

Mi, **Husqvarna AB**, SE--561 82 Huskvarna, Švedska,  
tel.: +46-36-146500, izjavljamo na lastno odgovornost,  
da je izdelek:

<b>Opis</b>	Polagalnik kablov
<b>Znamka</b>	Husqvarna
<b>Vrsta/model</b>	CL400i
<b>Identifikacija</b>	Serijske številke od letnika 2022 dalje

v celoti skladen z naslednjimi direktivami in uredbami  
EU:

<b>Uredba</b>	<b>Opis</b>
2006/42/ES	"o strojih"
2014/30/EU	"o elektromagnetni združljivosti"
2011/65/EU	"o omejevanju uporabe nekaterih nevarnih snovi v električni in elektronski opremi"

in so pri tem v veljavi naslednji standardi in/ali  
tehnične specifikacije: EN ISO 12100:2010, EN ISO  
14119:2013, EN ISO 14120:2015, EN ISO 13857:2019,  
EN 62841-1:2015+AC:2015, EN ISO 11202:2010, EN  
1032:2009, EN 55014-1:2017, EN 55014-2:2015, EN  
63000:2018.

Za informacije v zvezi z emisijami hrupa glejte poglavje  
*Tehnični podatki na strani 391.*

Huskvarna, 2022-03-21



Claes Losdal, Vodja oddelka za razvoj vrtno opreme,  
Husqvarna AB

Odgovorni za tehnično dokumentacijo



---

## Innehåll

---

Introduktion.....	394	Felsökning.....	404
Säkerhet.....	395	Transport, förvaring och kassering.....	406
Montering.....	399	Tekniska data.....	406
Drift.....	400	Försäkrän om överensstämmelse.....	409
Underhåll.....	402		

---

## Introduktion

---

### Produktbeskrivning

Produkten är en gångmanövrerad kabelläggare.

### Produktöversikt

(Fig. 1)

1. Borrbygel
2. Lutningsbygel (handtag)
3. Drivbygel
4. Räknare
5. Kabelvinda
6. Matningsfläns
7. Borr
8. Kontrollpanel
9. Säkerhetsnyckel
10. Batteri (tillbehör)
11. Batteriladdare (tillbehör)
12. Bruksanvisning

### Symboler på produkten

(Fig. 2) VARNING

(Fig. 3) Varning! Roterande delar. Akta händer och fötter.

(Fig. 4) Akta dig för utslungade föremål och rikoschetter.

(Fig. 5) Läs instruktionerna.

(Fig. 6) Håll alltid människor och djur på säkert avstånd från arbetsområdet.

(Fig. 7) Risk för ögonskador på personer i omgivningen.

(Fig. 8) Utsätt inte för regn.

(Fig. 9) Använd skyddsvisir.

(Fig. 10) Standbyläge (svart knapp).

### Avsedd användning

Använd produkten till att lägga begränsningskablar och guidekablar för robotgräsklippare i marken. Använd inte produkten till annat.

(Fig. 10) Starta och stoppa motorn (röd knapp).

(Fig. 11) Produkten eller dess förpackning är inte hushållsavfall. Återvinn den vid en återvinningsstation för elektrisk och elektronisk utrustning.

(Fig. 12) Produkten överensstämmer med gällande EG-direktiv.

(Fig. 13) Denna produkt överensstämmer med gällande brittiska direktiv.

(Fig. 14) Miljömärkning för bulleremission enligt direktiv och bestämmelser för EU och Storbritannien samt New South Wales-lagen "Protection of the Environment Operations (Noise Control) Regulation 2017". Produktens garanterade ljudeffektnivå anges i *Tekniska data på sida 406* och på etiketten.

(Fig. 15) Produkten har droppskydd.

---

**Notera:** Övriga symboler/etiketter på produkten avser specifika krav för certifieringar på vissa marknader.

---

### Produktskada

Vi ansvarar inte för skador på vår produkt om:

- produkten repareras felaktigt
- produkten repareras med delar som inte kommer från tillverkaren eller inte har godkänts av tillverkaren
- produkten har ett tillbehör som inte kommer från tillverkaren eller inte har godkänts av tillverkaren
- produkten inte repareras vid ett godkänt servicecenter eller av en godkänd person.

---

# Säkerhet

---

## Säkerhetsdefinitioner

Varningar, försiktighetsåtgärder och anmärkningar används för att betona speciellt viktiga delar i bruksanvisningen.



**VARNING:** Används om det finns risk för skador eller dödsfall för användaren eller kringstående om anvisningarna i bruksanvisningen inte följs.



**OBSERVERA:** Används om det finns risk för skada på produkten, annat material eller det angränsande området om anvisningarna i bruksanvisningen inte följs.

**Notera:** Används för att ge mer information som är nödvändig i en viss situation.

---

## Allmänna säkerhetsvarningar



**VARNING:** Gå igenom alla säkerhetsvarningar, instruktioner, illustrationer och specifikationer som medföljer produkten. Om du inte följer instruktionerna nedan kan det leda till elektriska stötar, brand och/eller allvarliga skador.

**Spara alla varningar och instruktioner som referens.** I varningarna syftar begreppet "produkten" på en produkt som antingen är ansluten till en strömkälla (med sladd) eller drivs av batteri (sladdlöst).

## Säkerhet i arbetsområdet

- **Arbetsområdet ska hållas välordnat och välbelyst.** I rörliga eller mörka arbetsområden håller det lätt olyckor.
- **Använd inte produkten i explosiva miljöer, t.ex. i närvaro av brandfarliga vätskor, gaser eller damm.** Gnistor från produkten kan antända damm eller ångor.
- **Håll barn och åskådare på avstånd när du använder produkten.** Om du blir distraherad kan du tappa kontrollen.

## Elsäkerhet

- **Produktens stickpropp måste passa i eluttaget. Förändra aldrig stickkontakten på något sätt. Använd inga adapterkontakter med jordade produkter.** Oförändrade stickkontakter och motsvarande vägguttag minskar riskerna för elektriska stötar.

- **Undvik kroppskontakt med jordade ytor, t.ex. rör, kylare, spisar och kylskåp.** Risken för elektriska stötar ökar om kroppen är jordad.
- **Utsätt inte produkter för regn eller väta.** Om vatten tränger in i produkten ökar risken för elstötar.
- **Använd inte sladden på fel sätt. Använd inte sladden för att bära eller dra produkten eller för att koppla ur produkten från eluttaget. Håll sladden borta från värme, olja, vassa kanter och rörliga delar.** Skadade eller trasliga sladdar ökar risken för elektriska stötar.
- **När du använder en produkt utomhus ska du även använda en förlängningssladd för utomhusbruk.** Om du använder en sladd för utomhusbruk minskar risken för elektriska stötar.
- **Om det är oundvikligt att köra en produkt i en fuktig miljö ska du använda en jordfelsbrytare.** Med jordfelsbrytare minskar risken för elektriska stötar.

## Personsäkerhet

- **Var på din vakt, var uppmärksam på vad du gör och använd sunt förnuft när du använder produkten. Använd inte produkten om du är trött, om du har druckit alkohol eller om du har tagit andra droger eller mediciner.** Ett ögonblick av ouppmärksamhet när du använder produkter kan leda till allvarlig personskada.
- **Använd personlig skyddsutrustning. Använd alltid ögonskydd.** Lämplig skyddsutrustning som ansiktsmask, halkfria skyddsskor, hjälm eller hörselskydd minskar risken för personskador.
- **Förebygg att elverkytget startar oavsiktligt. Se till att strömbrytaren är fränslagen innan du ansluter elverkytget till en strömkälla och/eller ett batteri och innan du tar upp eller bär produkten.** Risken för olyckor är stor om du bär produkter med fingret på strömbrytaren eller tillför ström till produkter med strömbrytaren påslagen.
- **Ta bort eventuella justeringsnycklar eller skiftnycklar innan du slår på produkten.** Skiftnycklar som lämnas kvar i produktens rörliga delar kan orsaka personskada.
- **Sträck dig inte för långt. Ha alltid ett stadigt fotfäste och god balans.** Det ger dig större kontroll över produkten i oväntade situationer.
- **Klä dig rätt. Använd inte löst sittande kläder eller smycken. Håll hår och kläder borta från rörliga delar.** Lösa kläder, smycken eller långt hår kan fastna i rörliga delar.
- **Om det finns anordningar för anslutning av enheter för uppsamling av damm, se då till att dessa är ordentligt anslutna och att de används på rätt sätt.** Dammuppsamling kan minska dammrelaterad fara.
- **Tillåt inte dig själv att bli för avslappnad, även om du har erfarenhet av regelbunden användning av produkter, så att du börjar strunta i**

**produktsäkerheten.** En slarvig handling kan orsaka allvarlig skada på mindre än en sekund.

## Produktens användning och skötsel

- **Använd inte onödig kraft med produkten. Använd den produkt som är rätt för aktuellt syfte.** Med rätt produkt utför du ett bättre och säkrare jobb med den hastighet som produkten är utformad för.
- **Använd inte produkten om du inte kan starta och stänga av den med strömbrytaren.** Produkter som inte kan regleras med strömbrytaren är farliga och måste repareras.
- **Koppla bort kontakten från strömkällan och/eller ta ut batteriet (om det kan tas bort) innan du gör några justeringar, byter tillbehör eller förvarar produkter.** Sådana förebyggande säkerhetsåtgärder minskar risken för att produkten startas oavsiktligt.
- **Förvara produkter utom räckhåll för barn när de inte används. Se till att personer som inte tidigare har hanterat produkter eller som inte har läst instruktionerna inte använder dem.** Produkter är farliga om de används av ovana användare.
- **Underhåll produkter och tillbehör. Kontrollera att röriga delar ligger i linje och inte kärvar. Kontrollera även om det finns skadade delar eller om det föreligger andra förhållanden som kan påverka produktfunktionen. Om produkten är skadad ska den repareras innan den används igen.** Många olyckor sker på grund av att rätt underhåll inte har utförts på produkter.
- **Håll kapverktyg skarpa och rena.** Väl underhållna klippande verktyg med vassa eggar kärvar mer sällan och är lättare att kontrollera.
- **Använd produkten och tillbehör enligt de här instruktionerna. Tänk på att ta hänsyn till arbetsförhållandena och det arbete som ska utföras.** Användning av produkten i andra syften än de avsedda kan resultera i en farlig situation.
- **Håll handtagen och greppytorna torra, rena och fria från olja och fett.** Hala handtag och greppytor innebär att det inte är säkert att hantera och styra produkten i oväntade situationer.

## Tjänst

- **Låt en kvalificerad reparatör, som endast använder identiska reservdelar, underhålla produkten.** På så sätt garanterar du att säkerheten för produkten upprätthålls.
- **Utför aldrig underhåll på skadade batteripack.** Underhåll på batteripack bör endast utföras av tillverkaren eller auktoriserade tjänsteleverantörer.

## Använda och underhålla batteridrivna verktyg

- **Ladda endast upp med den laddare som anges av tillverkaren.** En laddare som är lämplig för en typ av batteripack kan utgöra en brandrisk när den används med ett annat batteripack.

- **Använd endast produkter med särskilt avsedda batteripack.** Användning av andra batteripack kan innebära risk för skada och brand.
- **När batteripacket inte används ska du hålla det borta från andra metallföremål, som gem, mynt, nycklar, spikar, skruvar och andra små metallföremål, som kan skapa en anslutning mellan kontaktarna.** Kortslutning av batteriets kontakter kan orsaka brännskador eller brand.
- **Vid felaktig användning kan vätska spruta ut från batteriet. Undvik kontakt. Om kontakt inträffar av misstag ska du skölja med vatten. Om du får vätska i ögonen ska du uppsöka läkare.** Vätska som sprutar ut från batteriet kan orsaka irritation eller sveda.
- **Använd inte ett batteripack eller ett verktyg som är trasigt eller modifierat.** Skadade eller modifierade batterier kan fungera på ett oväntat sätt vilket kan leda till brand, explosion eller risk för skada.
- **Utsätt inte ett batteripack eller ett verktyg för brand eller extrema temperaturer.** Om det utsätts för brand eller temperaturer över 130 °C kan en explosion inträffa.
- **Följ alla anvisningar för laddning och ladda inte batteripacket eller verktyget utanför det temperaturintervall som anges i instruktionerna.** Felaktig laddning eller temperaturer utanför det specificerade området kan skada batteriet och öka risken för brand.

## Allmänna säkerhetsanvisningar



**VARNING:** Läs varningsinstruktionerna nedan innan du använder produkten.

- Denna produkt är farlig om den används på fel sätt, och om du inte är försiktig. Skada eller dödsfall kan inträffa om du inte följer säkerhetsinstruktionerna.
- Denna produkt alstrar ett elektromagnetiskt fält under drift. Detta fält kan under vissa omständigheter ge påverkan på aktiva eller passiva medicinska implantat. För att reducera risken för omständigheter som kan leda till allvarliga eller livshotande skador rekommenderar vi därför personer med implantat att rådgöra med läkare samt tillverkaren av det medicinska implantatet innan denna produkt används.
- Var alltid försiktig och använd sunt förnuft. Om du inte vet hur du ska använda produkten i en särskild situation ska du stanna den och tala med en Husqvarna-återförsäljare innan du fortsätter.
- Tänk på att användaren kommer att hållas ansvarig för olyckor som involverar andra människor eller deras egendom.
- Håll produkten ren. Se till att du kan läsa skyltar och dekaler tydligt.
- Låt aldrig barn eller personer som inte känner till de här instruktionerna använda produkten. Lokala föreskrifter kan ange en åldersgräns för användning.

- Övervaka alltid en person med nedsatt fysisk eller mental kapacitet som använder produkten. En vuxen person måste vara närvarande hela tiden.
- Använd aldrig produkten om du är trött, sjuk eller om du är påverkad av alkohol, droger eller läkemedel. Detta har en negativ inverkan på din syn, ditt omdöme och din kroppskontroll.
- Använd inte produkten om den är skadad eller inte fungerar korrekt.
- Modifiera aldrig den här produkten och använd den inte om det är möjligt att den har blivit modifierad av andra.
- Om borststålet träffar ett föremål eller om det uppstår vibrationer ska du omedelbart stoppa produkten. Stäng av motorn, dra upp säkerhetsnyckeln och ta bort batteriet. Vänta tills alla rörliga delar står stilla. Kontrollera om det finns några skador på produkten. Dra åt lösa delar. Reparera skador och byt ut skadade delar. Låt en godkänd serviceverkstad utföra reparationer.
- Fäst aldrig borrygeln permanent på handtaget när motorn är igång.
- Ställ produkten på ett stabilt plant underlag och starta den.
- Håll dig alltid bakom produkten när du använder den.
- Låt alla hjul stå på marken och håll båda händerna på handtaget när du använder produkten.
- Håll händer och fötter borta från det roterande borststålet.
- Luta inte produkten när du startar motorn eller under användning av produkten.
- Var försiktig när du drar produkten bakåt.
- Lyft inte upp produkten när motorn är igång. Om du måste lyfta produkten stänger du av motorn, drar upp säkerhetsnyckeln och tar bort batteriet.
- Gå inte baklänges när du använder produkten.
- Släpp borrygeln för att stoppa borststålet när du behöver luta produkten för transport.
- Spring inte med produkten när motorn är igång. Gå alltid när du använder produkten.
- Stoppa motorn innan du ändrar kabelläggingsdjupet. Gör inte några justeringar med motorn igång.
- Lämna inte produkten utan uppsikt med motorn igång. Stoppa motorn och se till att borststålet inte roterar.
- Vibrationerna i produkten under drift kan skilja sig från deklarerat vibrationsvärde i *Tekniska data på sida 406*. Skillnaden beror på skillnader i användning av produkten. Om du använder produkten ofta eller under långa perioder bör du ta pauser regelbundet för att förhindra skador till följd av vibrationer.

## Arbets säkerhet



**VARNING:** Läs varningsinstruktionerna nedan innan du använder produkten.

- Använd produkten till att lägga begränsningskablar och guidekablar för robotgräsklippare i marken. Använd inte produkten till annat.
  - Använd personlig skyddsutrustning. Se *Personlig skyddsutrustning på sida 397*.
  - Se till att du vet hur man snabbt stoppar motorn i en nödsituation.
  - Använd inte produkten i regn eller vid blöta förhållanden. Risken för elektriska stötar ökar om vatten kommer in i produkten.
  - Använd inte produkten utan att borststålet och alla kåpor är korrekt monterade. Ett felaktigt monterat borststål kan lossna och orsaka skador.
  - Ta bort föremål som grenar, kvistar och stenar från arbetsområdet innan du använder produkten.
  - Objekt som slår mot kabelläggaren kan slungas ut och orsaka skador på personer och föremål. Håll alltid människor och djur på säkert avstånd från produkten.
  - Använd aldrig produkten i dåligt väder, som dimma, regn, hård vind, extrem kyla och risk för blixtnedslag. Det är ansträngande att använda produkten i dåligt väder eller på fuktiga eller våta platser. Dåligt väder kan leda till farliga förhållanden, t.ex. hala ytor.
  - Håll utkik efter personer, föremål och situationer som kan förhindra säker användning av produkten.
  - Håll utkik efter hinder, som rötter, stenar, grenar, gropar och diken. Långt gräs kan dölja hinder.
  - Använd inte produkten i terräng som lutar mer än 15°.
  - Var mycket försiktig när du ändrar riktning i slutningar. Klipp tvärs över slutningar. Inte upp och ned.
  - Var uppmärksam när du närmar dig dolda hörn och föremål som skymmer sikten.
  - Se till att borststål inte slår emot föremål som stenar och rötter. Detta kan göra att borststålet skadas och böja motoraxeln. En böjd motoraxel orsakar kraftiga vibrationer och risken för att borststålet lossnar blir mycket hög.
- ## Säkerhetsinstruktioner för drift
- Läs instruktionerna nedan innan du använder produkten.
- Se till att kabeln på kabelguiden är intakt.
  - Se till att matningsflänsens rör är intakt. Byt ut röret om det är slitet eller skadat.
- (Fig. 16)
- Se till att kanten runt hälet inte är vass eller skadad. Om kabelguiden är skadad byter du ut den.
  - Se till att alla skruvar är åtdragna.
  - Se till att alla spakar är i neutralläge.
- ## Personlig skyddsutrustning



**VARNING:** Läs varningsinstruktionerna nedan innan du använder produkten.

- Personlig skyddsutrustning kan inte eliminera skaderisken helt, men den reducerar effekten av en skada vid ett eventuellt olyckstillbud. Be din återförsäljare om hjälp med att välja rätt utrustning.
- Använd kraftiga hals säkra kängor eller skor. Använd inte öppna skor och var inte barfota.
- Använd tjockare långbyxor.
- Använd skyddshandskar vid behov, till exempel när du ansluter, undersöker eller rengör kabelutläggningsutrustningen.
- Vi rekommenderar att du använder hörselskydd.

## Säkerhetsanordningar på produkten



**VARNING:** Läs varningsinstruktionerna nedan innan du använder produkten.

- Använd inte en produkt med säkerhetsanordningar som är skadade eller som inte fungerar korrekt.
- Ta inte bort och gör inga ändringar på säkerhetsanordningar.
- Kontrollera säkerhetsanordningarna regelbundet. Om säkerhetsanordningarna är skadade eller om de inte fungerar korrekt ska du kontakta en Husqvarna-serviceverkstad.

## Säkerhetsnyckel

Säkerhetsnyckeln finns under batteriluckan. Säkerhetsnyckeln kopplar in batteriet som matar motorn med ström.

## Kontrollera säkerhetsnyckeln

Säkerhetsnyckeln kopplar in batteriet som matar motorn med ström.

- Starta och stäng av motorn. Om säkerhetsnyckeln fungerar går det endast att starta motorn när säkerhetsnyckeln sitter i säkerhetslåset.

## Borrbygel

Borrbygeln stoppar borrstålet. När borrbygeln släpps stoppar borrstålet.

Inspektera borrbygeln: Starta motorn och släppa därefter borrbygeln. Om borrstålet inte stoppar efter tre sekunder kontaktar du en godkänd Husqvarna-serviceverkstad.

(Fig. 17)

## Batterisäkerhet



**VARNING:** Läs varningsinstruktionerna nedan innan du använder produkten.

- Använd endast laddningsbara batterier från Husqvarna som strömkälla för relaterade Husqvarna-produkter. På grund av risken för skador

ska du inte använda batteriet som strömkälla för andra enheter.

- Använd inte batterier som inte är laddningsbara.
- Risk för elektrisk stöt. Anslut inte batteripolerna till nycklar, mynt, skruvar eller andra metallföremål. Det kan orsaka kortslutning i batteriet.
- Placera inte föremål i luftspringorna på batteriet.
- Håll batteriet borta från direkt solljus, värme och öppen eld. Batteriet kan explodera och orsaka brännskador och/eller kemiska brännskador.
- Håll batteriet borta från regn och fuktiga förhållanden.
- Håll batteriet borta från mikrovågor och högt tryck.
- Försök inte ta isär eller krossa batteriet.
- Om batteriet läcker ska du inte låta vätskan komma i kontakt med huden eller ögonen. Om du har rört vid vätskan ska du rengöra området med stora mängder vatten och kontakta läkare.
- Använd endast batteriet i produkten när omgivningstemperaturen är 5–40 °C.
- Använd endast batteriladdaren när omgivningstemperaturen är 5–40 °C.
- Batteriet laddas inte om batteritemperaturen överstiger 50 °C.
- Rengör inte batteriet eller batteriladdaren med vatten. Se *Rengöra batteriet och batteriladdaren på sida 404*.
- Använd inte ett skadat batteri.
- Håll batterier som förvaras borta från metallföremål, exempelvis spikar, mynt och smycken.

## Säkerhet, batteriladdare



**VARNING:** Läs varningsinstruktionerna nedan innan du använder produkten.

- Använd endast QC-batteriladdare för att ladda utbytesbatterier från Husqvarna.
- Risk för elektrisk stöt eller kortslutning. Placera inte föremål i luftspringorna på laddaren. Försök inte plocka isär batteriladdaren. Anslut inte laddarens kontakter till metallföremål. Använd ett godkänt eluttag.
- Denna produkt alstrar ett elektromagnetiskt fält under drift. Detta fält kan under vissa omständigheter ge påverkan på aktiva eller passiva medicinska implantat. För att reducera risken för omständigheter som kan leda till allvarliga eller livshotande skador rekommenderar vi därför personer med implantat att rådgöra med läkare samt tillverkaren av det medicinska implantatet innan denna maskin används.
- Kontrollera regelbundet att strömkabeln till batteriladdaren är oskadad och att inga sprickor finns.
- Lyft inte batteriladdaren i strömkabeln. Koppla bort batteriladdaren från eluttaget genom att dra i kontakten. Dra inte i strömkabeln.

- Håll strömkabel och skarvsladdar borta från vatten, olja och skarpa kanter. Var uppmärksam så att inte kabeln kläms i dörrar, stängsel eller liknande. Det kan annars medföra att laddaren blir strömförande.
- Rengör inte batteriladdaren med vatten.
- Batteriladdaren kan användas av barn från 8 år och uppåt och personer med olika funktionshinder eller bristande erfarenhet och kunskap om de hålls under uppsikt eller får instruktioner om säker användning av batteriladdaren och förstår de risker användandet medför. Barn får inte leka med batteriladdaren. Rengöring och underhåll får inte utföras av barn utan tillsyn.
- Ladda aldrig batterier som inte är laddningsbara i batteriladdaren.
- Använd inte batteriladdaren nära brandfarliga material eller material som kan orsaka korrosion. Täck inte över batteriladdaren. Dra ut stickkontakten till batteriladdaren vid rökutveckling eller brand.
- Använd inte en skadad batteriladdare.
- Ladda endast batteriet inomhus där den inte utsätts för solljus och i ett rum med bra luftflöde. Ladda inte batteriet vid fuktiga förhållanden.
- Ta ur tändningsnyckeln innan du utför underhåll på produkten.
- Utför underhållsarbete på rätt sätt för att öka produktens livslängd och minska risken för olyckor. Låt en godkänd serviceverkstad utföra fackmannamässig reparation. Tala med din närmaste serviceverkstad för mer information.
- Utför endast det underhållsarbete som anges i den här bruksanvisningen.
- Använd kraftiga skyddshandskar när du rör vid kabelutläggningsutrustningen.
- Håll produkten ren för bästa funktion och optimal säkerhet.
- Låt din serviceverkstad regelbundet kontrollera produkten och göra nödvändiga inställningar och reparationer.
- Byt ut skadade, slitna och trasiga delar.
- Följ instruktionerna för byte av tillbehör. Använd endast tillbehör från tillverkaren.
- När den inte används ska du hålla produkten, batteriet och batteriladdaren ifrån varandra på ett torrt och låst utrymme inomhus. Se till att barn och personer som inte är godkända inte kan få tillgång till produkten, batteriet eller batteriladdaren.

## Säkerhetsinstruktioner för underhåll



**VARNING:** Läs varningsinstruktionerna nedan innan du använder produkten.

## Montering

### Introduktion



**VARNING:** Läs och förstå säkerhetskapitlet innan du monterar produkten.

### Installera borrstålet

1. Sätt in borrstålet (A) i borrhuvudet (B) och installera den långa skruven (C). (Fig. 18)

**Notera:** En 6 mm insexnyckel krävs för att installera borrstålet.

2. Installera borrhuvudet på axeln (D) med den korta skruven (E).
3. Dra åt skruvarna.

### Installera kabeln

Produkten har en kopplad kabelvinda som kan tas bort.

1. Placera kabeln på kabelvindan. Använd vredet för att vrida kabelvindan medurs.

**Notera:** Kabeln måste läggas medurs på kabelvindan så att den lossnar smidigt under drift. (Fig. 19)

2. För in kabeln i matningsflänsens rör (A) tills kabeln sticker ut cirka 5 cm nedtill (B). (Fig. 20)

### Montera och ta bort kabelvindan

1. Lossa vredet (A). (Fig. 21)
2. Ta bort hållaren (B).
3. Ta bort kabelvindan (C).
4. Montera kabelvindan (D). Använd en adapter vid behov. (Fig. 22)
5. Montera hållaren (E) och dra åt vredet (F).

## Introduktion



**VARNING:** Innan du använder produkten måste du läsa igenom och förstå kapitlet om säkerhet.

## Husqvarna Fleet Services™

Husqvarna Fleet Services™ är en molnlösning som ger användaren en översikt över alla anslutna produkter. På den här produkten kan en Husqvarna Fleet Services™-sensor installeras. Husqvarna Fleet Services™-sensorn samlar in produktdata och låter dig ansluta till Husqvarna Fleet Services™-systemet. Husqvarna Fleet Services™-systemet rapporterar data som drifttid, serviceintervall och placering av produkten.

Om du vill ha mer information om Husqvarna Fleet Services™ hämtar du Husqvarna Fleet Services™-appen eller kontaktar din Husqvarna-representant.

## Förbereda sensorn (tillbehör)

1. Använd sensornyckeln till att öppna locket till sensorn. (Fig. 23)
2. Ta bort sensorn.
3. Anslut batteriet till sensorn. Lampan på sensorn tänds. (Fig. 24)
4. Ladda ned appen Husqvarna Fleet Services™.
5. Logga in i Husqvarna Fleet Services™-appen.
6. Parkoppla. Se *Parkoppla produkten och appen på sida 400*

## Parkoppla produkten och appen

1. Logga in i Husqvarna Fleet Services™-appen.
2. Välj produkten i appen.
3. Installera sensorn i appen genom att skanna koden bakom den med hjälp av din mobila enhet.

**Notera:** Du behöver endast parkoppla produkten och appen en gång.

## Montera sensorn

1. Kontrollera att sensorn är ansluten i appen Husqvarna Fleet Services™. Se *Parkoppla produkten och appen på sida 400*.
2. Borra hål vid de två markeringarna i facket i höljet. (Fig. 25)

**Notera:** Se till att hålen har samma mått som de nitar som medföljer sensorn.

3. Använd en tång till att ta bort de yttre hålen från sensorhållaren. (Fig. 26)

4. Borra hål vid de två markeringarna i sensorhållaren. (Fig. 27)
5. Rikta in sensorhållaren mot facket i höljet. (Fig. 28)
6. Montera sensorhållaren med hjälp av nitarna.
7. Montera sensorn i sensorhållaren. Rikta in den vita markeringen på sensorn mot markeringen på sensorhållaren. (Fig. 29)
8. Stäng locket till sensorn och lås det med hjälp av sensornyckeln. Se till att överdelen av "H" som i "Husqvarna" är riktat bort från säkerhetsnyckeln. (Fig. 30)

## Batteri



**VARNING:** Innan du använder batteriet måste du läsa igenom och förstå kapitlet om säkerhet. Du måste också läsa igenom och förstå den bruksanvisning som medföljer batteriet och batteriladdaren.

Förvara batteriet och batteriladdaren i rätt omgivningstemperatur.

	Omgivningstemperatur
Användning av batteri	5–40 °C
Laddning av batteri	5–40 °C

## Batteristatus

Displayen visar den återstående batterikapaciteten och om det föreligger problem med batteriet. Batterikapaciteten visas i fem sekunder efter att produkten har stängts av eller batteriindikatornappen har tryckts in. Varningssymbolen på batteriet tänds när ett fel har inträffat. Se *Batteri på sida 405*.

(Fig. 31)

Lysdioder	Batteristatus
Alla lysdioder är tända	Fulladdat (75–100 %)
Lysdiod 1, 2 och 3 lyser	Batteriet är 50–75 % laddat
Lysdiod 1 och 2 lyser	Batteriet är 25–50 % laddat
Lysdiod 1 lyser	Batteriet är 0–25 % laddat.
Lysdiod 1 blinkar	Batteriet är tomt. Ladda batteriet.



## Ladda batteriet

Ladda batteriet före första användning. Batteriet är endast 30 % laddat när det levereras till kunden.

**Notera:** Batteriladdaren måste vara kopplad till den spänning och frekvens som anges på typskylten.

Batteriet laddas inte om batteritemperaturen är över 50 °C. Batteriladdaren sänker batteriets temperatur innan den börjar ladda.

1. Anslut den ena änden av batteriladdarens nätsladd till batteriladdarens uttag.
2. Anslut den andra änden av batteriladdarens nätsladd till ett jordat eluttag. Lysdioden på batteriladdaren blinkar grönt en gång. (Fig. 32)
3. Sätt i batteriet i batteriladdaren. Den gröna lampan på laddaren tänds när batteriet är korrekt anslutet till laddaren. (Fig. 33)
4. När alla lysdioder på batteriet lyser är batteriet fulladdat. Ladda batteriet i högst 24 timmar.
5. Koppla bort batteriladdaren ur vägguttaget genom att dra i kontakten, inte i nätsladden.
6. Ta ut batteriet ur batteriladdaren.

## Batteriladdningsstatus

Ett litiumjonbatteri från Husqvarna kan laddas eller användas vid alla laddningsnivåer. Batteriet inte är skadat. Ett fulladdat batteri laddas inte ur även om batteriet sitter kvar i laddaren.

LED-display	Laddningsstatus
Lysdiod 1 blinkar	0–25 %
Lysdiod 1 lyser, 2 blinkar	25–50%
Lysdioderna 1 och 2 lyser, 3 blinkar	50–75 %
Lysdioderna 1, 2 och 3 lyser, 4 blinkar	75–100%
Lysdioderna 1, 2, 3 och 4 lyser	Fulladdat

## Att göra innan du använder produkten

1. Vattna marken dagen innan du ska arbeta om det är sommar eller om jorden är torr.
2. Se till att människor och djur befinner sig minst 20 m från produkten.
3. Placera kabeln på kabelvindan. Se *Installera kabeln på sida 399*.
4. Justera kabellägningsdjupet. Se *Justera kabellägningsdjupet på sida 401*.
5. Fäst kabelns ände i en pinne.

## Starta produkten

1. Luta handtaget åt sidan. Se *Luta handtaget på sida 401*.
2. Öppna batteriluckan.
3. Sätt ett laddat batteri i batterifack 1 under batteriluckan. Om du vill förlänga drifttiden sätter du ett andra laddat batteri i batterifack 2.
4. Koppla bort säkerhetsnyckeln från säkerhetsnyckelhållaren.
5. Tryck in säkerhetsnyckeln i säkerhetslåset. (Fig. 34)
6. Stå bakom produkten.
7. Tryck på standby-knappen (A) på kontrollpanelen. Standbylampan (B) tänds. (Fig. 35)
8. Tryck på start/stop-knappen (C) tills den stannar i intryckt läge. Motorn startar.



**OBSERVERA:** Använd inte produkten om varningslampan (D) blinkar med rött sken.

9. Tryck borrbygeln mot handtaget för att aktivera borrarfunktionen. (Fig. 36)

## Använda drivningen på hjulen

- Dra drivbygeln (A) mot handtaget för att aktivera hjuldrivningen. (Fig. 37)
- Släpp drivbygeln för att koppla ur hjuldrivningen.

## Justera kabellägningsdjupet

1. Lossa vredet (A). (Fig. 38)
2. Ställ in stödhjulet (B) på önskat kabeldjup och dra åt vredet.

**Notera:** Siffrorna (C) på sidan av stödhjulets rör visar kabellägningsdjupet i cm. Kabellägningsdjupet kan ställas in på 1–6 cm.

## Justera höjden på handtaget

Handtagets höjd kan ställas in på fem nivåer.

1. Vrid handtaget (A) moturs för att lossa det och ta bort vredet (B). (Fig. 39)
2. Ställ in handtagets höjd och sätt i vredet i det närmaste hålet.
3. Dra åt handtaget genom att vrida medurs.

## Luta handtaget

Du kan luta handtaget för att undvika hinder när du använder produkten. Handtaget kan lutas i fyra lägen på höger sida och fyra lägen på vänster sida.

1. Dra lutningsbygeln (A) hela vägen mot handtaget och håll kvar i samma läge. Lutningsbygeln sitter nedtill på handtagets vänstra sida. (Fig. 40)

2. Luta handtaget till ett av de fyra lägena till vänster eller höger och släpp sedan lutningsbygeln. Se till att sprinten som låser handtaget på plats sitter i ett av spåren. (Fig. 41)

## Låsa matningsflänsens vridfunktion

Om du vill öka riktningprecisionen när du placerar kabeln i långa raka sektioner kan du låsa matningsflänsens vridning.

- Kontrollera att matningsflänsens riktning ligger i linje med produkten och dra åt handtaget (A). (Fig. 42)

## Ställa in kabelguiden

Produkten är anpassad för kablar på 4 mm. Om kabeln har en större diameter måste kabelguiden justeras.

1. Lossa de två skruvarna. (Fig. 43)
2. Flytta upp kabelguiden några millimeter.
3. Drag åt de 2 skruvarna.

## Ställa in spårbredden

Hjulens läge kan ställas in på olika spårbredder. Det finns fyra justeringshål i den vänstra axeln och fyra justeringshål i den högra axeln. Spårbredden kan ställas in på 250, 270, 290 eller 310 mm från borrcentrum. (Fig. 44)

1. Dra ut sprinten (A).
2. Ställ in hjulen på önskad spårbredd.
3. Sätt in sprinten i ett av de fyra hålen (B) i axeln.
4. Lås säkerhetsfjädern.

## Starta arbetet

När kabeln och borrstålet är på plats måste användaren fixera kabeln i marken.

1. Sätt en påle i marken.
2. Fäst den del av kabeln som kommer ut nedtill från kabelguidens vid pinnen.

## Använda kabelguiden för två kablar

Om produkten rör sig utanför arbetsområdets ytterkant måste två kablar läggas samtidigt.

1. Lägg ner en kabel längs hela ytterkanten. Se bild (A) och (B). (Fig. 45) (Fig. 46)
2. När du befinner dig vid den punkt som visas i bild (C): Dra upp stödhjulet i det högsta läget för att lyfta upp matningsflänsen ur marken. Fäst kabeln med en pinne och fortsätt med kabeln ovanför jorden tills du kommer till nästa punkt. (Fig. 47)
3. Fäst kabeln med en pinne vid den punkt som visas i bild (D). (Fig. 48)
4. Placera matningsflänsen på rätt kabellägningsdjup och fortsätt att lägga ner kabel för att skapa ön. Se bild (E). (Fig. 49)
5. När du når punkten som visas i bild (F) tar du bort pinnen och rengör matningsflänsen. Se *Rengöra matningsflänsen på sida 403*. (Fig. 50)
6. Montera kabeln i kabelguiden ovanför marken. (Fig. 51)
7. Lägg ner de två kablarna samtidigt fram till den punkt som visas i bild (G). Fäst de två kablarna vid en pinne och koppla loss den andra kabeln från kabelguiden. (Fig. 52)
8. Fortsätt att lägga kabeln längs ytterkanten till den punkt som visas i figur (H). (Fig. 53)

## Stoppa produkten

Produkten stängs av automatiskt om du inte använder den på tre minuter.

1. Släpp drivbygeln (A) för att koppla ur hjuldrivningen. (Fig. 37)
2. Släpp borrbygeln för att stoppa borrfunktionen. (Fig. 17)
3. Tryck på start-/stopppnappen på kontrollpanelen.
4. Tryck på standby-knappen på kontrollpanelen.
5. Öppna batteriluckan.
6. Ta bort säkerhetsnyckeln från säkerhetslåset och placera den i säkerhetsnyckelhållaren.
7. Använd avskraparen till att rengöra matningsflänsen. Se *Rengöra matningsflänsen på sida 403*.
8. Rengör och smörj borrhuvudet efter varje användning. Se *Rengöra och smörja borrhuvudet på sida 403*.

---

## Underhåll

---

### Introduktion



**WARNING:** Innan du utför underhåll måste du läsa och förstå kapitlet om säkerhet.

För allt service- och reparationsarbete på produkten krävs särskild utbildning. Vi garanterar att du kan få en fackmannamässig reparation och service utförd.

Mer information finns här i [www.husqvarna.com](http://www.husqvarna.com).

### Underhållsschema

Underhållsintervallen beräknas utifrån daglig användning av produkten. Intervallen ändras om produkten inte används dagligen.

För underhåll som markeras med \*, se *Säkerhetsanordningar på produkten på sida 398*.

	Varje användning	Varje månad	Varje säsong
Utför en allmän inspektion.	X		
Kontrollera att produktens säkerhetsanordningar inte är defekta *.	X		
Undersök borrstålet och matningsflänsen.	X		
Kontrollera borrbygeln.*	X		
Se till att start-/stoppknappen fungerar som den ska och inte är defekt.	X		
Undersök om det finns några skador på batteriet.	X		
Kontrollera batteriladdningen.	X		
Se till att frigöringsknapparna på batteriet fungerar och låser fast batteriet i produkten.	X		
Rengör motorns luftintag. Se till att det inte finns gräs eller smuts på luftintagen.	X		
Smörj de omålade delarna.	X		
Smörj delar där zinkplätningen är sliten.	X		
Rengör och smörj borrhuvudet.	X		
Rengör matningsflänsen.	X		
Undersök om batteriladdaren har skador och se till att den fungerar som den ska.		X	
Undersök anslutningarna mellan batteriet och produkten. Undersök även anslutningen mellan batteriet och batteriladdaren.			X

## Rengöra matningsflänsen

- Använd avskraparen till att ta bort jord från och rengöra matningsflänsen. (Fig. 54)

## Byta ut matningsflänsen

- Luta produkten framåt och placera den långsamt på marken.
- Ta bort de två skruvarna (A) och matningsflänsen (B). (Fig. 55)
- Montera den nya matningsflänsen i omvänd ordningsföljd.

## Byta borrstålet

- Ta bort gräs och smuts från produkten.



**OBSERVERA:** Se till att smuts och annat oönskat material inte kommer in i produkten vid installation.

**Notera:** Rengör och smörj borrkåpan efter varje arbetspass.

- Ta bort den korta skruven (A) och borrhuvudet (B) från axeln (C). (Fig. 56)

**Notera:** En 6 mm insexnyckel krävs för att byta ut borrstålet.

- Ta bort den långa skruven (D) och borrstålet (E) från borrhuvudet.
- Sätt i ett nytt borrstål i borrhuvudet och installera den långa skruven.
- Installera borrhuvudet på axeln.
- Dra åt skruvarna.

## Rengöra och smörja borrhuvudet

Rengör borrhuvudet noga efter varje arbetspass.

- Luta produkten framåt och placera den långsamt på marken.
- Ta bort gräs, smuts och annat skräp med en mjuk borste.
- Ta bort mindre gräs- och smutspartiklar med tryckluft.
- Ta bort skruvarna (A) från borrhuvudet (B) och ta bort borrstålet (C). (Fig. 56)
- Lossa de två skruvarna (D) och ta bort matningsflänsen (E). (Fig. 57)

6. Ta bort skruven (F) och ta bort borrhuvudet (G) från axeln (H). (Fig. 58)
7. Rengör motorn med tryckluft. Se till att smuts, gräs och annat oönskat material tas bort helt och hållet.
8. Ta vid behov bort smutsigt fett med lämpligt lösningsmedel.
9. Rengör alla komponenter med lämpligt lösningsmedel och smörj dem.
10. Stryk på vattenavstötande fett på axeln. (Fig. 59)



**VARNING:** Använd inga kemiska ämnen vid rengöring av batteriet.

- Se till att batteriet och batteriladdaren är rena och torra innan du sätter i batteriet i batteriladdaren.
- Rengör batteripolerna med tryckluft eller med en mjuk, torr trasa.
- Rengör ytorna på batteriet och batteriladdaren med en mjuk, torr trasa.

## Rengöra batteriet och batteriladdaren



**VARNING:** Rengör inte batteriet eller batteriladdaren med vatten.

## Felsökning

### Felsökning

Om du inte hittar en lösning på ditt problem i den här användarhandboken ska du prata med en Husqvarna-serviceverkstad.

Problem	Orsak
Motorn startar ej.	Batteriet är inte laddat.
	Batteriet är inte korrekt isatt.
	Batteriet är defekt.
	Kontrollpanelen är defekt.
Borrstålet roterar inte.	Remmen är utsliten.
	Remmen har förflyttats från linhjulen.
	Spaken spänner inte tillräckligt på remmen.
Borrstålet fortsätter att rotera när borrbygeln släpps.	Kabeln från borrbygeln är sliten eller skadad.
Produkten fungerar inte som den ska.	Borrstålet är slitet eller skadat.
	Borrstålet är inte korrekt fastsatt.
Produkten rör sig inte när drivbygeln aktiveras.	Kabeln från drivbygeln är sliten eller skadad.
	Transmissionsremmarna är slitna.
	Kedjan är trasig eller inte tillräckligt spänd.
	Kopplingskivorna i transmissionshuset är slitna.
Borrhuvudet kan inte tas bort.	Skräp har kommit in i enheten.
	Oxidering i systemet.

Problem	Orsak
Isoleringen i kabeln som läggs i marken är skadad.	Utgångsöppningen för kabel på matningsflänsen är skadad.
	Röret som innehåller kabeln och som är en del av matningsflänsen är smutsigt.

## Batteri

Lysdiod på batteriet	Orsak	Lösning
Den gröna lysdioden blinkar.	Batterispänningen är låg.	Ladda batteriet. Se <i>Ladda batteriet på sida 401</i> .
Lysdioden för fel blinkar.	Batteriet är svagt.	Ladda batteriet. Se <i>Batteri på sida 405</i> .
	Temperaturen i arbetsmiljön är för hög eller för låg.	Använd batteriet vid temperaturer mellan $-10\text{ }^{\circ}\text{C}$ och $40\text{ }^{\circ}\text{C}$ .
	Överspänning.	Se till att nätspänningen stämmer med den som anges på produktens typskylt.  Ta ut batteriet ur batteriladdaren. Vänta fem sekunder och försök att ladda batteriet igen. Om problemet kvarstår kontaktar du en godkänd serviceverkstad.
Lysdioden för fel lyser.	För stor cellskillnad (1 V).	Tala med en godkänd serviceverkstad.

## Batteriladdare

Lysdiod på batteriladdaren	Orsak	Lösning
Lysdioden för fel blinkar.	Temperaturen i arbetsmiljön är för hög eller för låg.	Använd batteriladdaren i temperaturer mellan $5\text{ }^{\circ}\text{C}$ och $40\text{ }^{\circ}\text{C}$ .
Lysdioden för fel lyser.		Tala med en godkänd serviceverkstad.

## Kontrollpanel

Felkod (antal blinkningar)	Eventuella fel	Möjliga åtgärder
5	Motorvarvtalet sjunker för mycket och motorn stängs av.	Rengör borrhuvudet och minska kabellägningsdjupet. Se <i>Rengöra och smörja borrhuvudet på sida 403</i> och <i>Justera kabellägningsdjupet på sida 401</i> . Om felet kvarstår kontaktar du en godkänd serviceverkstad.
8	Batteriet är svagt.	Ladda batteriet. Se <i>Ladda batteriet på sida 401</i> .

Felkod (antal blinkningar)	Eventuella fel	Möjliga åtgärder
9	Batterifel eller ingen signal från batteriet.	Sätt batteriet i produkten på rätt sätt och undersök batterianslutningen. Om lysdioden för fel på batteriet blinkar, se <i>Batteri på sida 405</i> .
10	Motorstyrningen är för varm.	Stäng av motorn och vänta tills den har svalnat.
Övriga fel	Om det uppstår något annat fel tar du bort säkerhetsnyckeln, tar bort batteriet och kontaktar en godkänd serviceverkstad.	

## Transport, förvaring och kassering

### Introduktion



**WARNING:** För att förhindra oavsiktlig start vid transport drar du upp säkerhetsnyckeln, tar bort batteriet och väntar minst fem sekunder.

### Transport

- Kraven i lagstiftningen för farligt gods gäller för de medföljande litiumjonbatterierna.
- För kommersiella transporter måste särskilda krav på förpackning och etiketter följas.
- Se till att du följer kraven gällande farligt material när du förbereder produkten för transport. Lokala föreskrifter kan gälla.
- Ta alltid loss alltid batteriet vid transport.
- Sätt tejp på batterikontakterna och se till att batteriet inte kan röra sig under transport.
- Sätt fast produkten under transport.

### Lagerförvaring

- Låt produkten svalna innan du ställer undan den.
- Ta alltid ut batteriet vid förvaring.
- Förhindra olyckor genom att se till att batteriet inte är kopplat till produkten vid förvaring.
- Förvara batteriladdaren på en sluten och torr plats.
- Förvara batteriet och batteriladdaren på en torr plats där det inte finns någon fukt eller frost.
- Koppla ur batteriet från batteriladdaren vid förvaring.
- Förvara inte batteriet där statisk elektricitet kan uppkomma. Förvara inte batteriet i en metallåda.
- Förvara produkten i temperaturer mellan  $-10$  och  $40$  °C.

- Förvara batteriet i temperaturer mellan  $5$  och  $25$  °C, inte i direkt solljus.
- Förvara batteriladdaren i temperaturer mellan  $5$  och  $45$  °C, inte i direkt solljus.
- Se till att batteriet är  $30$ – $50$  % laddat innan du förvarar det under längre perioder.
- Förvara produkten, batteriet och batteriladdaren i ett låst utrymme utom räckhåll för barn och personer som inte är godkända.
- Rengör produkten.
- Utför underhåll enligt anvisningarna i den här bruksanvisningen. Se *Underhållsschema på sida 402*.
- Gör en fullständig service innan du ska ställa undan produkten under en längre tid.

### Kassering

Symbolen på produkten eller dess förpackning indikerar att denna produkt inte får hanteras som hushållsavfall. Istället ska den överlämnas till lämplig återvinningsstation för återvinning av elektrisk och elektronisk utrustning.

Genom att se till att denna produkt omhändertas ordentligt kan du hjälpa till att motverka potentiella negativa konsekvenser på miljö och människor, vilka annars kan orsakas genom oriktig avfallshantering av denna produkt. För mer detaljerad information om återvinning av denna produkt, kontakta din kommun, din hushållsavfallsservice eller affären där du köpte produkten.

(Fig. 60)

## Tekniska data

Bormotor

Motortyp	BLDC (borstlös) 36 V
Motorvarvtal – nominellt, varv/min	3 000/min
Motorvarvtal – hög belastning, varv/min	3 300/min
Motoreffekt – maximal, kW	1,8
Motoreffekt – nominell, kW	1,2
Transmission	Mekanisk växellåda med oljebadsväxlar
Koppling	Remtyp, med linhjul
<b>Vikt</b>	
Vikt utan batteri, kg	39
Vikt inklusive 2 st. BLi300, kg	43
<b>Batteri</b>	
Batterityp	Husqvarna batteriserie
<b>Batteritid</b>	
Batteritid, min <sup>93</sup>	38
<b>Bulleremission</b> <sup>94</sup>	
Ljudeffektnivå, uppmätt L <sub>WA</sub> dB (A)	84
Ljudeffektnivå, garanterad L <sub>WA</sub> dB(A)	86
<b>Ljudnivåer</b> <sup>95</sup>	
Ljudtrycksnivå vid användarens öra, dB(A)	66
<b>Vibrationsnivåer</b> <sup>96</sup>	
Handtag m/s <sup>2</sup>	1,8
<b>Kabelläggningutrustning</b>	
Kabelläggningsdjup, cm	1–6
Avstånd mellan borrh och hjulkant, mm	250, 270, 290, 310
Borr	597 04 84-01

Godkända batterier	Varumärke	Typ	Batterikapacitet, Ah	Spänning, V	Vikt, lb/kg
BLi300	Husqvarna	Litiumjonbatteri	9,4	36	4,1/1,9

<sup>93</sup> Fri drift, uppmätt med standardläge aktiverat och ett Husqvarna 9,4 Ah-batteri (BLi300).

<sup>94</sup> Bulleremission till omgivningen uppmätt som ljudeffekt (L<sub>WA</sub>) enligt EG-direktiv 2000/14/EG.

<sup>95</sup> Redovisade data för ljudtrycksnivå har ett typiskt spridningsmått (standardavvikelse) på 1,2 dB (A).

<sup>96</sup> Rapporterade data för vibrationsnivå har en typisk statistisk spridning (standardavvikelse) på 0,2 m/s<sup>2</sup>. Vibrationsstandard EN 1032+A1:2009.

Laddare som är godkända för de angivna batterierna, BLi	Varumärke	Ingående spänning, V	Frekvens, Hz	Effekt, W
QC500	Husqvarna	100–240	50–60	500



# Försäkran om överensstämmelse

## EU-försäkran om överensstämmelse

Vi, **Husqvarna AB**, 561 82 Huskvarna, Sverige, tel:  
+46-36-146500, försäkrar på eget ansvar att produkten:

<b>Beskrivning</b>	Kabelläggare
<b>Varumärke</b>	Husqvarna
<b>Typ/Modell</b>	CL400i
<b>Identifiering</b>	Serienummer daterade 2022 och framåt

uppfyller alla krav i följande EU-direktiv och förordningar:

Lagstiftning	Beskrivning
2006/42/EG	"om maskiner"
2014/30/EU	"angående elektromagnetisk kompatibilitet"
2011/65/EU	"angående begränsning av användning av vissa farliga ämnen i elektrisk och elektronisk utrustning"

och att följande standarder och/eller tekniska specifikationer tillämpas: EN ISO 12100:2010, EN ISO 14119:2013, EN ISO 14120:2015, EN ISO 13857:2019, EN 62841-1:2015+AC:2015, EN ISO 11202:2010, EN 1032:2009, EN 55014-1:2017, EN 55014-2:2015, EN 63000:2018.

För information om bulleremissioner, se *Tekniska data* på sida 406.

Huskvarna, 2022-03-21



Claes Losdal, utvecklingschef/trädgårdsprodukter,  
Husqvarna AB

Ansvarig för teknisk dokumentation



## İçindekiler

Giriş.....	410	Sorun giderme.....	420
Güvenlik.....	411	Taşıma, depolama ve atma.....	422
Montaj.....	415	Teknik veriler.....	422
Çalışma.....	415	Uyumluluk Bildirimi.....	424
Bakım.....	418		

## Giriş

### Ürün açıklaması

Ürün, yaya kumandalı bir kablo döşeme makinesidir.

### Ürüne genel bakış

(Şek. 1)

1. Matkap çalıştırma kolu
2. Gidon yatırma kolu
3. Tahrik kolu
4. Sayaç
5. Kablo sarıcı
6. Besleme kanatçığı
7. Matkap
8. Kontrol paneli
9. Güvenlik anahtarı
10. Akü (Aksesuar)
11. Akü şarj cihazı (Aksesuar)
12. Kullanım kılavuzu

### Ürün üzerindeki semboller

(Şek. 2) UYARI

(Şek. 3) Uyarı: Döner parçalar. Ellerinizi ve ayaklarınızı uzak tutun.

(Şek. 4) Atılan nesnelere ve seken cisimlere dikkat edin.

(Şek. 5) Talimatları okuyun.

(Şek. 6) İnsanları ve hayvanları çalışma alanından güvenli bir uzaklıkta tutun.

(Şek. 7) Çevredeki kişilerin gözlerine zarar verme riski vardır.

(Şek. 8) Yağmura maruz bırakmayın.

(Şek. 9) Koruyucu vizör kullanın.

(Şek. 10) Bekleme modu (siyah düğme).

### Kullanım amacı

Ürünü kullanarak robotik çim biçme makineleri için sınır telini ve rehber teli yerleştirin. Ürünü başka işler için kullanmayın.

(Şek. 10) Motoru çalıştırın ve durdurun (kırmızı düğme).

(Şek. 11) Ürün ya da ürünün ambalajı evsel atık değildir. Ürünü, elektrikli ve elektronik ekipmanlar için bir geri dönüşüm istasyonunda geri dönüştürün.

(Şek. 12) Ürün, geçerli AT direktiflerine uygundur.

(Şek. 13) Bu ürün yürürlükteki Birleşik Krallık yönetmeliklerine uygundur.

(Şek. 14) AB ve BK direktifleri ile yönetmelikleri ve Yeni Güney Galler mevzuatı "Çevre Koruma Operasyonları (Gürültü Kontrolü) Yönetmeliği 2017" uyarınca çevreye yayılan gürültü emisyonu etiketi. Ürünün garantili ses gücü düzeyi *Teknik veriler sayfa: 422* bölümünde ve etiketin üstünde belirtilmektedir.

(Şek. 15) Ürün damlamaya karşı korumalıdır.

**Not:** Ürünün üzerindeki diğer semboller/etiketler, bazı pazarların sertifikalandırma gereklilikleri ile ilgilidir.

### Üründe oluşabilecek hasarlar

Aşağıdaki durumlarda ürünümdede oluşabilecek hasarlardan sorumlu olmayız:

- ürünün hatalı bir şekilde onarılması,
- ürünün, üretici tarafından onaylanmayan veya üreticiden alınmayan parçalarla tamir edilmesi,
- üründe, üreticiden alınmayan veya üretici tarafından onaylanmayan bir aksesuar bulunması,
- ürünün, onaylı bir servis merkezinde veya yetkili bir kurum tarafından tamir edilmemesi.

# Güvenlik

## Güvenlik tanımları

Kılavuzdaki önemli kısımları vurgulamak için uyarılar ve notlar kullanılmıştır.



**UYARI:** Kılavuzdaki talimatlara uyulmadığı takdirde operatör veya çevredeki kişiler için ciddi yaralanma veya ölüm tehlikesi varsa kullanılır.



**DİKKAT:** Kılavuzdaki talimatlara uyulmadığı takdirde ürünün, diğer malzemelerin veya çevrenin zarar görme riski olduğunda kullanılır.

**Not:** Belirli bir durumda bilgi verilmesi gerektiğinde kullanılır.

## Genel ürün güvenlik uyarıları



**UYARI:** Bu ürünle birlikte verilen tüm güvenlik uyarılarını, talimatları, çizimleri ve teknik özellikleri okuyun. Aşağıda listelenen talimatların göz ardı edilmesi elektrik çarpmasına, yangına ve/veya ciddi yaralanmaya neden olabilir.

**Tüm uyarı ve talimatları ilerde başvurmak üzere saklayın.** Uyarılardaki "ürün" şebeke akımıyla çalışan (kablolu) ürününüzü veya aküyle çalışan (kablosuz) ürününüzü belirtmektedir.

## Çalışma alanı güvenliği

- **Çalışma alanını temiz ve iyi aydınlatılmış tutun.** Kalabalık veya karanlık alanlar kazalara neden olabilir.
- **Ürünü yanıcı maddelerin, gazların veya tozların bulunduğu patlayıcı ortamlarda çalıştırmayın.** Ürün, toz veya gazı ateşleyebilecek kıvılcımlar çıkarır.
- **Ürünü kullanırken çocukları ve çevredekileri uzakta tutun.** Dikkatinizin dağılması, kontrolü kaybetmenizden dolayı olabilir.

## Elektrik güvenliği

- **Ürün fişleri prize uygun olmalıdır.** Hiçbir zaman fişler üzerinde herhangi bir değişiklik yapmayın. Topraklı (topraklanmış) ürünlerle herhangi bir adaptör fiş kullanmayın. Değiştirilmemiş fişler ve uygun prizler, elektrik çarpması riskini azaltır.
- **Boru, radyatör, fırın, buzdolabı gibi topraklı yüzeylerle vücut temasından kaçının.** Vücudunuz topraklı ise elektrik çarpması riski artar.

- **Ürünleri yağmura veya ıslak koşullara maruz bırakmayın.** Ürüne su girdiğinde elektrik çarpması riski artar.
- **Kabloyu kötü kullanmayın.** Kabloyu asla ürünü taşımak, çekmek veya fişini çıkarmak için kullanmayın. Kabloyu ısıdan, yağdan, keskin kenarlardan veya hareketli parçalardan uzakta tutun. Hasar görmüş veya dolaşmış kablolar, elektrik çarpması riskini artırır.
- **Ürünü dış mekanda kullanırken, dış mekan kullanımı için uygun bir uzatma kablosu kullanın.** Dış mekan için uygun bir kordon kullanmak, elektrik çarpması riskini azaltır.
- **Ürünü mutlaka nemli bir ortamda çalıştırmaz gerekiyorsa artık akım cihazı (RCD) korumalı bir güç kaynağı kullanın.** RCD kullanmak elektrik çarpması riskini azaltır.

## Kişisel güvenlik

- **Ürünü kullanırken tetikte olun, dikkatinizi yaptığınız işe verin ve sađduyulu olun.** Yorgunken veya uyuşturucu, alkol ya da ilaç etkisi altındayken ürünü kullanmayın. Ürünleri kullanırken bir anlık bir dikkatsizlik, ciddi yaralanmaya neden olabilir.
- **Kişisel koruyucu ekipmanları kullanın.** Daima koruyucu gözlük takınız. Uygun durumlarda toz maskesi, kaymayan güvenlik ayakkabıları, çelik başlık veya kulak koruma ekipmanı gibi koruyucu ekipman kullanımı yaralanmaları azaltır.
- **İstlenmeyen çalışmaları önleyin.** Güç kaynağına ve/veya akü grubuna bağlamadan, ürünü kaldırmadan veya taşımadan önce anahtarın kapalı konumda olduğundan emin olun. Ürünleri parmağınız çalıştırma düğmesindeyken taşımak veya açık elektrikli ürünlere enerji vermek kazalara yol açabilir.
- **Ürünü açmadan önce ayarlamaya anahtarlarını veya İngiliz anahtarlarını çıkarın.** Ürünün dönen kısmına takılı bırakılan İngiliz anahtar veya anahtar yaralanmaya neden olabilir.
- **Makineyi kullanırken erişim alanınızın dışındaki yerlere uzanmaya çalışmayın.** Her zaman yere sağlam basın ve dengeyi koruyun. Bu, ürünün beklenmedik durumlarda daha iyi kontrolünü sağlar.
- **Gerektiği gibi giyinin.** Bol elbise veya takı giymeyin. Saçınızı ve kıyafetinizi hareketli parçalardan uzakta tutun. Hareketli parçalara bol giysiler, takılar veya uzun saçlar takılabilir.
- **Cihazlar toz çekme ve toplama takımı bağlantısı ile geldiyse bunların bağlı olduğundan ve düğün kullanıldığında emin olun.** Toz toplama özelliği tozla ilgili tehlikeleri azaltabilir.
- **Ürünleri sık kullanmanın verdiği aşinalıkla kendinizi rahat hissedip ürün güvenli ikelerini görmezden gelmeyin.** Dikkatsizce gerçekleştirilen işlemler bir anda ciddi yaralanmalara neden olabilir.

## Ürün kullanımı ve bakımı

- **Ürünü zorlamayın. Yapacağınız iş için doğru ürünü kullanın.** Doğru ürün, tasarlandığı oranda işi daha iyi ve güvenli yapar.
- **Anahtar, ürünü açıp kapatmıyorsa ürünü kullanmayın.** Anahtar ile kontrol edilemeyen ürünler tehlikelidir ve onarılmalıdır.
- **Herhangi bir ayarlamaya yapmadan, aksesuar değiştirmeden veya ürünleri depolamadan önce ürünün fişini güç kaynağından çekin ve/veya çıkarılabilirse akü grubunu çıkarın.** Bu tür önleyici güvenlik önlemleri, ürünün kazara çalıştırılma riskini azaltır.
- **Kullanılmayan ürünleri çocukların erişemeyeceği yerde saklayın ve ürüne veya bu talimatlara yabancı olan kişilerin ürünü çalıştırmasına izin vermeyin.** Ürünler, eğitimsiz kullanıcıların elinde tehlikelidir.
- **Ürün ve aksesuarların bakımını yapın.** Hareketli parçaların yanlış konumlandırılması veya bağlanması, parçaların kırılması ve ürünün çalışmasını etkileyebilecek herhangi bir durum olup olmadığını kontrol edin. Hasarlıysa kullanmadan önce ürünü tamir ettirin. Çoğu kaza yetersiz bakım yapılmış ürünlerden kaynaklanmaktadır.
- **Kesme araçlarını keskin ve temiz tutun.** Bakımı düzgün yapılmış, kesen tarafları yeterli keskinlikte olan kesme araçlarının takılma ihtimali daha az olup kontrol etmesi daha kolaydır.
- **Ürün, aksesuarlar, araç parçaları vb. bileşenleri, çalışma koşullarını ve yapılacak işi göz önünde bulundurarak bu talimatlara uygun şekilde kullanın.** Ürünün tasarlanan amaçlar dışında kullanılması tehlikeli bir duruma yol açabilir.
- **Tutma yerlerini ve kavrama yüzeylerini kuru, temiz, gres ve yağdan arındırılmış halde tutun.** Kaygan tutma yerleri ve kavrama yüzeyleri beklenmedik durumlarda ürünün güvenli şekilde kullanılmasına ve kontrol edilmesine izin vermez.

## Hizmet

- **Ürününüzün yalnızca aynı yedek parçalar kullanan uzman bir tamirci tarafından onarılması sağlıyan.** Bu, ürünün güvenliğinin sağlanması için gereklidir.
- **Hasarlı akü gruplarına asla servis işlemi uygulamayın.** Akü gruplarının servis işlemleri yalnızca üretici veya yetkili servis sağlayıcıları tarafından gerçekleştirilmelidir.

## Akülü alet kullanımı ve bakımı

- **Sadece üreticinin belirttiği şarj aletiyle şarj edin.** Bir akü grubu için uygun olan bir şarj aleti başka bir akü grubuyla kullanıldığında yangın riski doğurabilir.
- **Ürünleri yalnızca özel olarak belirlenmiş akü gruplarıyla kullanın.** Farklı türde akü gruplarının kullanılması yangın ve yaralanma riski doğurabilir.
- **Akü grubu kullanımında değilken ataç, bozuk para, anahtar, çivi, vida veya diğer küçük metal cisimler gibi bir ucun başka bir uca bağlanmasına neden olabilecek cisimlerden uzak tutun.** Akü uçlarının kısa

devre yapması vücudun yanmasına veya yangına neden olabilir.

- **Zorlayıcı koşullarda aküden elektrolit sızabilir; dokunmayın. Kazayla temas ederseniz bol suyla yıkayın. Sıvı göze temas ederse ayrıca doktora başvurun.** Aküden sızan sıvı cildin tahriş olmasına veya yanıklara neden olabilir.
- **Hasarlı veya değiştirilmiş bir akü grubu veya alet kullanmayın.** Hasarlı veya üzerinde değişiklik yapılmış aküler yangın, patlama ya da yaralanma riski ile sonuçlanabilecek beklenmedik davranışlar sergileyebilir.
- **Akü grubunu veya aleti ateşe veya aşırı sıcaklığa maruz bırakmayın.** Bunların ateşe veya 130°C/265°F üzeri sıcaklığa maruz kalması patlamaya neden olabilir.
- **Tüm şarj etme talimatlarına uyun ve akü grubunu ya da aleti talimatlarda belirtilen sıcaklık aralığı dışında şarj etmeyin.** Belirtilen sıcaklık aralığının dışında veya hatalı olarak yapılan şarj işlemleri, aküye zarar verebilir ve yangın riskini artırabilir.

## Genel güvenlik talimatları



**UYARI:** Ürünü kullanmadan önce aşağıdaki uyarı talimatlarını okuyun.

- Bu ürün yanlış kullanıldığında veya dikkatli olmazsanız tehlikelidir. Güvenlik talimatlarına uyulmaması yaralanmalara veya ölüme yol açabilir.
- Bu ürün, çalışırken elektromanyetik bir alan oluşturur. Bu alan, bazı koşullarda aktif veya pasif tıbbi implantlarda parazitlenmeye neden olabilir. Ciddi yaralanmaya veya ölüme neden olabilecek durumların ortaya çıkma riskini azaltmak için tıbbi implantı olan kişiler, bu ürünü çalıştırmadan önce doktorlarına ve tıbbi implant üreticilerine danışmalarını öneririz.
- Her zaman dikkatli olun ve sağduyunuzu kullanın. Özel bir durumda ürünü nasıl kullanacağınızdan emin değilseniz durun ve devam etmeden önce Husqvarna bayinizle görüşün.
- Diğer insanları veya bu insanlara ait mülkleri içeren kazalardan operatörün sorumlu tutulacağını unutmayın.
- Ürünü temiz tutun. İşaretleri ve etiketleri net bir şekilde okuyabildiğinizden emin olun.
- Çocukların veya bu kullanma talimatlarını bilmeyen kişilerin cihazı kullanmasına asla izin vermeyin. Yerel yönetmeliklerde operatör yaşı konusunda bir sınırlama olabilir.
- Fiziksel veya zihinsel kapasitesi düşük olan bir kişi ürünü kullanırken bu kişiyi daima gözetim altında tutun. Sorumluluk sahibi bir yetişkin her zaman orada olmalıdır.
- Ürünü yorgunken, hastayken veya alkol ya da ilaç etkisi altındayken kullanmayın. Bu durum görüş, dikkat, koordinasyon ve doğru bir şekilde düşünmenizi olumsuz yönde etkiler.

- Hasarlıysa veya düzgün çalışmıyorsa ürünü kullanmayın.
- Başkaları tarafından değiştirilmiş olma olasılığı varsa bu ürünü değiştirmeyin veya kullanmayın.

## Çalışma güvenliği



**UYARI:** Ürünü kullanmadan önce aşağıdaki uyarı talimatlarını okuyun.

- Ürünü kullanarak robotik çim biçme makineleri için sınır telini ve rehber teli yerleştirin. Ürünü başka işler için kullanmayın.
- Kişisel koruyucu ekipmanlar kullanın. Bkz. *Kişisel koruyucu ekipman sayfa: 413*.
- Acil bir durumda motoru hızlı bir şekilde nasıl kapatacağınızı öğrenin.
- Ürünü yağmurda veya ıslak koşullarda çalıştırmayın. Ürünün içine su gireirse elektrik çarpması riski artar.
- Matkabı ve tüm kapakları doğru bir şekilde takmadan ürünü çalıştırmayın. Yanlış bir şekilde takılan matkap gevşeyerek yaralanmanıza neden olabilir.
- Ürünü kullanmadan önce çalışma alanındaki dal, çalı çırpı ve taş gibi nesnelere alın.
- Kablo döşeme ekipmanına çarpan nesnelere fırlatılarak kişi ve nesnelere zarar görmesine neden olabilir. Etraftaki insanları ve hayvanları üründen güvenli bir uzaklıkta tutun.
- Ürünü sis, yağmur, kuvvetli rüzgar, şiddetli soğuk ve yıldırım düşmesi riski gibi olumsuz hava koşullarında hiçbir zaman kullanmayın. Ürünü olumsuz hava koşullarında veya nemli ya da ıslak yerlerde kullanmak yorucudur. Kötü hava, kaygan yüzeyler gibi tehlikeli koşullara neden olabilir.
- Ürünün güvenli bir şekilde çalışmasını önleyebilecek kişi, nesne ve durumlara dikkat edin.
- Kök, taş, çalı çırpı, çukur, hendek gibi engelleri dikkat edin. Uzun çim nesnelere saklayabilir.
- Ürünü 15°den daha eğimli zeminlerde kullanmayın.
- Yokuşta yön değiştirirken çok dikkatli olun. Yokuşlarda ürünü yatay olarak kullanın. Yukarı ve aşağı hareket ettirmeyin.
- Gizli köşelere ve açık görüşü engelleyen nesnelere yanına giderken dikkatli olun.
- Matkabın taş veya kök gibi nesnelere çarpmasına dikkat edin. Bu, matkaba zarar verebilir ve motor milini bükebilir. Bükülmüş motor mili, ağır titreşime ve çok yüksek bir matkap gevşemesi riskine neden olabilir.
- Matkap bir nesneye çarpar veya titreşim olursa ürünü hemen durdurun. Motoru durdurun, güvenlik anahtarını yukarı çekin ve aküyü çıkarın. Hareketli parçalar durana kadar bekleyin. Üründe hasar olup olmadığını kontrol edin. Gevşek parçaları sıkın. Hasarları onarın ve hasarlı parçaları değiştirin. Onarımı yetkili bir servis noktasında yaptırın.
- Motor çalıştırıldığında matkap çalıştırma kolunu tutma yerine kalıcı olarak takmayın.

- Ürünü sabit ve düz bir yüzeye koyup çalıştırın.
- Ürünü çalıştırırken her zaman arkasında durun.
- Ürünü kullanırken tüm tekerleklerin yere basmasını sağlayın ve 2 elinizi kolun üzerinde tutun.
- Ellerinizi ve ayaklarınızı döner matkaptan uzakta tutun.
- Motoru çalıştırırken veya ürünün çalışması sırasında ürünü eğmeyin.
- Ürünü arkaya doğru çekerken dikkatli olun.
- Motor çalışırken ürünü yukarı kaldırmayın. Ürünü kaldırmazın gerekirse öncelikle motoru durdurun, güvenlik anahtarını yukarı çekin ve aküyü çıkarın.
- Ürünü kullanırken arkaya doğru yürütmeyin.
- Ürünün taşıması için yatırılması gerektiğinde matkabı durdurmak için matkap çalıştırma kolunu serbest bırakın.
- Motor çalışırken ürünle birlikte koşmayın. Ürünü kullanırken her zaman yürüyün.
- Kablo döşeme derinliğini değiştirmeden önce motoru durdurun. Motor çalışırken ayarlama yapmayın.
- Motor çalışırken ürünün görüş alanınızdan çıkmasına izin vermeyin. Motoru durdurun ve matkabın dönmediğinden emin olun.
- Çalışma sırasında üründeki titreşimler, *Teknik veriler sayfa: 422* bölümünde belirtilen titreşim değerinden farklı olabilir. Fark, ürünün kullanım şeklindeki değişikliklerden kaynaklanır. Ürünü sıklıkla veya uzun süre kullanıyorsanız titreşimlerden kaynaklanabilecek yaralanmaları önlemek için düzenli olarak mola verin.

## Kullanım için güvenlik talimatları

Ürünü kullanmadan önce aşağıdaki talimatlarını okuyun.

- Kablo kılavuzundaki kablunun sağlam olduğundan emin olun.
- Besleme kanatçığındaki borunun sağlam olduğundan emin olun. Aşınmış veya hasarlıysa boruyu değiştirin.

(Şek. 16)

- Deliğin etrafındaki kenarın keskin veya hasarlı olmadığından emin olun. Hasarlıysa kablo kılavuzunu değiştirin.
- Tüm vidaların sıkıldığından emin olun.
- Tüm kolların boş konuma getirildiğinden emin olun.

## Kişisel koruyucu ekipman



**UYARI:** Ürünü kullanmadan önce aşağıdaki uyarı talimatlarını okuyun.

- Kişisel koruyucu ekipmanlar yaralanma riskini tamamen engelleyemez ancak bir kaza durumunda yaralanmanın derecesini azaltır. Bayinizin doğru ekipmanı seçmenize yardımcı olmasını sağlayın.

- Ağır hizmet tipi kaymayan botlar veya ayakkabılar kullanın. Açık ayakkabılar giymeyin veya çıplak ayakla yürümeyin.
- Kalın, uzun pantolonlar giyin.
- Kablo döşeme ekipmanını takma, kontrol etme veya temizleme gibi gerekli durumlarda koruyucu eldivenler kullanın.
- Kulak koruma ekipmanı kullanmanızı öneririz.

## Ürünün üzerindeki güvenlik araçları



**UYARI:** Ürünü kullanmadan önce aşağıdaki uyarı talimatlarını okuyun.

- Güvenlik araçları hasarlı olan veya düzgün çalışmayan bir ürünü kullanmayın.
- Güvenlik araçlarını çıkarmayın veya araçların üzerinde değişiklik yapmayın.
- Güvenlik araçlarını düzenli olarak kontrol edin. Güvenlik araçları hasarlıysa veya düzgün çalışmıyorsa Husqvarna servis nokتانızla görüşün.

## Güvenlik anahtarı

Güvenlik anahtarı, akü kapağının altındadır. Güvenlik anahtarı, motora güç sağlayan aküye bağlanır.

## Güvenlik anahtarını kontrol etme

Güvenlik anahtarı, motora güç sağlayan aküye bağlanır.

- Motoru çalıştırın ve durdurun. Güvenlik anahtarı doğru çalışıyorsa motor, yalnızca anahtar güvenli kilitinin içindeyse çalışır.

## Matkap çalıştırma kolu

Matkap çalıştırma kolu, matkabı durdurur. Matkap çalıştırma kolunu serbest bıraktığınızda matkap durur.

Matkap çalıştırma kolunu kontrol etmek için motoru çalıştırıp matkap çalıştırma kolunu serbest bırakın. Matkap 3 saniye içinde durmazsa onaylı bir Husqvarna servis noktasıyla görüşün.

(Şek. 17)

## Akü güvenliği



**UYARI:** Ürünü kullanmadan önce aşağıdaki uyarı talimatlarını okuyun.

- İlgili Husqvarna ürünleri için güç kaynağı olarak yalnızca Husqvarna şarj edilebilir akülerini kullanın. Yaralanmayı önlemek için aküyü başka cihazların güç kaynağı olarak kullanmayın.
- Şarj edilebilir olmayan akü kullanmayın.
- Elektrik çarpması riski. Akü terminalerini anahtarlara, madeni paralara, vidalara veya diğer metallere bağlamayın. Bu, aküde kısa devreye neden olabilir.

- Akünün hava deliklerine herhangi bir nesne koymayın.
- Aküyü güneş ışığından, ısı kaynaklarından veya açık alevden uzak tutun. Akü patlayabilir ve yanıklara ve/veya kimyasal yanıklara neden olabilir.
- Aküyü yağmurdan ve ıslak koşullardan uzak tutun.
- Aküyü mikrodalgalardan ve yüksek basınçtan uzak tutun.
- Aküyü parçalarına ayırmaya veya kırmaya çalışmayın.
- Aküde sızıntı varsa sıvının vücudunuza veya gözlerinize temas etmesine izin vermeyin. Sıvıya temas ederseniz etkilenen bölgeyi bol suyla yıkayın ve tıbbi yardım alın.
- Üründeki aküyü yalnızca 5°C - 40°C arasındaki ortam sıcaklıklarında kullanın.
- Akü şarj cihazını yalnızca 5°C - 40°C arasındaki ortam sıcaklıklarında kullanın.
- Akü sıcaklığı 50°C'nin üzerindeyse akü şarj olmaz.
- Aküyü veya akü şarj cihazını suyla temizlemeyin. Bkz. *Aküyü ve akü şarj cihazını temizleme sayfa: 420.*
- Hasarlı bir aküyü kullanmayın.
- Aküleri çivi, madeni para, mücevher gibi metal nesnelere uzak bir yerde saklayın.

## Akü şarj cihazı güvenliği



**UYARI:** Ürünü kullanmadan önce aşağıdaki uyarı talimatlarını okuyun.

- QC akü şarj cihazlarını yalnızca Husqvarna yedek akülerini şarj etmek için kullanın.
- Elektrik çarpması veya kısa devre riski. Şarj cihazının hava deliklerine herhangi bir nesne koymayın. Akü şarj cihazını parçalarına ayırmaya çalışmayın. Şarj cihazı terminalerini metal nesnelere bağlamayın. Onaylı bir duvar prizi kullanın.
- Bu ürün, çalışırken elektromanyetik bir alan oluşturur. Bu alan, bazı koşullarda aktif veya pasif tıbbi implantlarda parazitlenmeye neden olabilir. Ciddi yaralanmaya veya ölüme neden olabilecek durumların ortaya çıkma riskini azaltmak için tıbbi implantı olan kişilerin, bu ürünü çalıştırmadan önce doktorlarına ve tıbbi implant üreticilerine danışmalarını öneririz.
- Akü şarj cihazının güç kablosunun hasarlı olmadığını ve üzerinde çatlaklar bulunmadığını düzenli olarak kontrol edin.
- Akü şarj cihazını güç kablosundan tutup kaldırmayın. Akü şarj cihazını duvar prizinden çıkarmak için fişi çekin. Güç kablosunu çekmeyin.
- Güç kablosunu ve uzatma kablolarını sudan, yağdan ve keskin kenarlardan uzak tutun. Kablonun kapılara, çitlere veya benzeri yerlere sıkışmadığından emin olun. Bu durum şarj cihazının elektrik yüklenmesine sebep olabilir.
- Akü şarj cihazını suyla temizlemeyin.

- Akü şarj cihazı, gözetim altında tutuldukları ya da akü şarj cihazının güvenli şekilde kullanımına ilişkin talimatlar sağlandığı ve gerçekleştirilecek tehlikeler açıklandığı sürece 8 yaş ve üzeri çocuklar ve fiziksel, duyuşsal veya zihinsel yetenekleri sınırlı olan ya da yetersiz deneyim ve bilgiye sahip kişiler tarafından kullanılabilir. Çocuklar akü şarj cihazı ile oynamamalıdır. Temizlik ve kullanıcı bakım işlemleri gözetim olmadan çocuklar tarafından gerçekleştirilmemelidir.
- Akü şarj cihazında şarj edilemeyen aküleri şarj etmeyi denemeyin.
- Akü şarj cihazını, yanıcı malzemelerin veya korozyona neden olabilecek malzemelerin yakınında kullanmayın. Akü şarj cihazının üzerini kapatmayın. Duman veya ateş çıkması durumunda akü şarj cihazının fişini çekip çıkarın.
- Hasarlı bir akü şarj cihazını kullanmayın.
- Aküyü yalnızca kapalı alanda, iyi hava akışı olan ve güneş ışığından uzak bir odada şarj edin. Aküyü ıslak koşullarda şarj etmeyin.

## Bakım için güvenlik talimatları



**UYARI:** Ürünü kullanmadan önce aşağıdaki uyarı talimatlarını okuyun.

## Montaj

### Giriş



**UYARI:** Ürünü monte etmeden önce güvenlik bölümünü okuyup anlayın.

### Matkabı takma

1. Matkabı (A) matkap başına (B) yerleştirin ve uzun vidayı (C) takın. (Şek. 18)

**Not:** Matkabı takmak için 6 mm alyan anahtar gereklidir.

2. Matkap başını kısa vidalarla (E) mile (D) takın.
3. Vidaları sıkın.

### Kabloyu takma

Üründe çıkarılabilir kavramalı bir kablo sarıcısı bulunur.

- Ürün üzerinde bakım yapmadan önce güvenlik anahtarını çıkarın.
- Ürünün ömrünü uzatmak ve kaza riskini azaltmak için bakım işini doğru şekilde yapın. Onaylı bir servis noktasında profesyonel onarım yaptırın. Daha fazla bilgi için size en yakın servis noktası ile görüşün.
- Yalnızca bu kullanım kılavuzunda belirtilen bakım çalışmasını yapın.
- Kablo döşeme ekipmanına dokunurken ağır hizmet tipi eldivenler kullanın.
- En iyi ve en güvenli performans için ürünü temiz tutun.
- Servis noktanızın düzenli olarak ürünü kontrol etmesini ve gerekli ayarları ve onarımları yapmasını sağlayın.
- Hasarlı, aşınmış veya bozuk parçaları değiştirin.
- Aksesuar değiştirmeye ilgili talimatlara uyun. Yalnızca üreticiden gelen aksesuarları kullanın.
- Çalışmadığı zaman ürünü, aküyü ve akü şarj cihazını ayrı olarak kuru, kapalı ve kilitletilmiş alanda saklayın. Çocukların ve onaylı olmayan kişilerin ürüne, aküye veya akü şarj cihazına erişemediklerinden emin olun.

1. Kabloyu kablo sarıcıya yerleştirin. Kablo sarıcıyı saat yönünde döndürmek için topuzu kullanın.

**Not:** Kablo, çalışma sırasında düzgün bir şekilde çözülebilmesi için kablo sarıcıya saat yönünde takılmalıdır.(Şek. 19)

2. Kablo alttan (B) yaklaşık 5 cm dışarı çıkana kadar kabloyu besleme kanatçığındaki boruya (A) doğru itin. (Şek. 20)

### Kablo sarıcıyı takma ve çıkarma

1. Düğmeyi (A) gevşetin. (Şek. 21)
2. Tutucuyu (B) çıkarın.
3. Kablo sarıcıyı (C) çıkarın.
4. Kablo sarıcıyı (D) takın. Gerekirse adaptörü kullanın. (Şek. 22)
5. Tutucuyu (E) takın ve topuzu (F) sıkın.

## Çalışma

### Giriş



**UYARI:** Ürünü kullanmadan önce güvenlik bölümünü okuyup anlamalısınız.

### Husqvarna Fleet Services™

Husqvarna Fleet Services™, tüm bağlı ürünler hakkında operatöre genel bilgi veren bir bulut çözümüdür. Bu ürüne bir Husqvarna Fleet Services™ sensörü takılabilir. Husqvarna Fleet Services™ sensörü, ürün

verilerini toplar ve Husqvarna Fleet Services™ sistemine bağlanmanızı sağlar. Husqvarna Fleet Services™ sistemi; çalışma süresi, servis aralıkları ve ürünün konumu gibi verileri raporlar.

Husqvarna Fleet Services™ hakkında daha fazla bilgi almak için Husqvarna Fleet Services™ uygulamasını indirin veya Husqvarna temsilcinizle görüşün.

## Sensörü (aksesuar) hazırlama

1. Sensör anahtarını kullanarak sensörün kapağını açın. (Şek. 23)
2. Sensörü çıkarın.
3. Aküyü sensöre bağlayın. Sensörün LED ışığı yanar. (Şek. 24)
4. Husqvarna Fleet Services™ uygulamasını indirin.
5. Husqvarna Fleet Services™ uygulamasında oturum açın.
6. Eşleştirme işlemi yapın. Bkz. *Uygulama ile ürün arasında eşleştirme işlemi yapma sayfa: 416*

## Uygulama ile ürün arasında eşleştirme işlemi yapma

1. Husqvarna Fleet Services™ uygulamasında oturum açın.
2. Uygulamada ürününüzü seçin.
3. Sensörü uygulamaya yüklemek için mobil cihazınızla sensörün arkasındaki kodu tarayın.

**Not:** Uygulama ile ürün arasında bir kez eşleştirme işlemi yapılması yeterlidir.

## Sensörü takma

1. Sensörün Husqvarna Fleet Services™ uygulamasına bağlandığından emin olun. Bkz. *Uygulama ile ürün arasında eşleştirme işlemi yapma sayfa: 416*.
2. Muhafaza yuvasındaki işareti yerlerden 2 delik açın. (Şek. 25)

**Not:** Deliklerin sensörle birlikte verilen perçinlerle aynı boyutta olduğundan emin olun.

3. Sensör yuvası üzerindeki dış delikleri çıkarmak için pense kullanın. (Şek. 26)
4. Sensör yuvasındaki işaretli yerlerden 2 delik açın. (Şek. 27)
5. Sensör yuvasını muhafaza yuvasıyla hizalayın. (Şek. 28)
6. Sensör yuvasını perçinlerle takın.
7. Sensörü sensör yuvasına takın. Sensör üzerindeki beyaz işareti sensör yuvasındaki işaretle hizalayın. (Şek. 29)
8. Sensörün kapağını kapatın ve sensör anahtarıyla kilitleyin. Husqvarna "H" harfinin üst kısmının güvenlik anahtarından uzağa dönük olduğundan emin olun. (Şek. 30)

## Akü



**UYARI:** Aküyü kullanmadan önce güvenlik bölümünü okuyup anlamalısınız. Akü ve akü şarj cihazına ait kullanım kılavuzunu da okuyup anlamalısınız.

Aküyü ve akü şarj cihazını doğru ortam sıcaklıklarında tutun.

	Ortam sıcaklığı
Akü çalışma sıcaklığı	5°C - 40°C
Akü şarj etme sıcaklığı	5°C - 40°C

## Akü durumu

Ekranında, kalan akü kapasitesi ve aküyle ilgili sorun olup olmadığı gösterilir. Akü kapasitesi, ürün kapatıldıktan veya akü gösterge düğmesine basıldıktan sonra 5 saniye süreyle gösterilir. Bir hata meydana geldiğinde akünün üzerindeki uyarı simgesi yanar. Bkz. *Akü sayfa: 421*.

(Şek. 31)

LED ışıkları	Akü durumu
Tüm LED'ler yanmaktadır	Tamamen dolu (%75-100)
LED 1, LED 2, LED 3 yanmıyorsa	Akü %50-%75 dolu
LED 1, LED 2 yanmıyorsa	Akü %25-%50 dolu
LED 1 yanmıyorsa	Akü %0-%25 doludur.
LED 1 yanıp sönüyor	Akü boştur. Aküyü şarj edin.

## Aküyü şarj etme

İlk kullanımdan önce aküyü şarj edin. Akü, müşteriye tedarik edildiğinde yalnızca %30 oranında doludur.

**Not:** Akü şarj cihazı, nominal değerler plakasında belirtilen voltaj ve frekansa bağlanmalıdır.

Akü sıcaklığı 50°C'nin üzerindeyse akü şarj olmaz. Akü şarj cihazı, şarj işlemine başlamadan önce akünün sıcaklığını düşürür.

1. Akü şarj cihazının güç kablosunun bir ucunu akü şarj cihazının soketine bağlayın.
2. Akü şarj cihazının güç kablosunun diğer ucunu topraklamalı bir elektrik prizine bağlayın. Akü şarj cihazındaki LED bir kez yeşil renkte yanıp söner. (Şek. 32)



3. Aküyü şarj cihazına yerleştirin. Akü, akü şarj cihazına doğru şekilde bağlandığında, şarj cihazı üzerindeki yeşil ışık yanar. (Şek. 33)
4. Akü üzerindeki tüm LED'ler yandığında akü tam olarak şarj olmuştur. Aküyü en fazla 24 saat boyunca şarj edin.
5. Akü şarj cihazını elektrik prizinden çıkarmak için güç kablosunu değil fişi çekin.
6. Aküyü şarj cihazından çıkarın.

### Akü şarj durumu

Bir Husqvarna Lityum iyon akü tüm şarj seviyelerinde şarj edilebilir veya kullanılabilir. Akü bundan zarar görmez. Tamamen şarj olmuş bir akü, şarj cihazının içinde kalırsa akünün şarjı azalmaz.

LED ekran	Şarj durumu
LED 1 yanıp sönüyor	%0-%25
LED 1 yanıyor, LED 2 yanıp sönüyor	%25-%50
LED 1, LED 2 yanıyor, LED 3 yanıp sönüyor	%50-%75
LED 1, LED 2, LED 3 yanıyor, LED 4 yanıp sönüyor	%75-%100
LED 1, LED 2, LED 3, LED 4 yanıyor	Tamamen dolu

### Ürünü çalıştırmadan önce yapılması gerekenler

1. Yaz aylarında veya kuru toprakta çalışırken işi yapmadan bir gün önce yeri sulayın.
2. İnsanların ve hayvanların üründen en az 20 m uzakta olduğundan emin olun.
3. Kabloyu kablo sarıcıya yerleştirin. Bkz. *Kabloyu takma sayfada: 415.*
4. Kablo döşeme derinliğini ayarlayın. Bkz. *Kablo döşeme derinliğini ayarlama sayfada: 417.*
5. Kablonun ucunu bir kazığa takın.

### Ürünü çalıştırma

1. Gidonu yana yatırın. Bkz. *Gidonu yatırma sayfada: 417.*
2. Akü kapağını açın.
3. Şarj olmuş bir aküyü, akü kapağının altındaki 1 numaralı akü yuvasına yerleştirin. Daha uzun çalışma süresi için şarj olmuş ikinci bir aküyü 2 numaralı akü yuvasına yerleştirin.
4. Güvenlik anahtarını güvenlik anahtarı tutucusundan çıkarın.
5. Güvenlik anahtarını güvenlik kilidine itin. (Şek. 34)

6. Ürünün arkasında durun.
7. Kontrol paneli üzerindeki bekleme düğmesine (A) basın. Bekleme ışığı (B) yanar. (Şek. 35)
8. Çalıştırma/durdurma düğmesine (C) basılı kalana kadar basın. Motor çalışır.



**DİKKAT:** Uyarı lambası (D) kırmızı renkte yanıp sönerse ürünü çalıştırmayın.

9. Matkabı devreye almak için matkap çalıştırma kolunu gidonun yönünde itin. (Şek. 36)

### Tekerleklerde tahriki kullanma

- Tekerleklerdeki tahriki devreye almak için tahrik kontrolü kolunu (A) gidonun yönünde çekin. (Şek. 37)
- Tekerleklerdeki tahriki devre dışı bırakmak için tahrik kontrolü kolunu serbest bırakın.

### Kablo döşeme derinliğini ayarlama

1. Düğmeyi (A) gevşetin. (Şek. 38)
2. Destek tekerleğini (B) gerekli kablo döşeme derinliğine ayarlayın ve topuzu sıkın.

**Not:** Destek tekerleği borusunun yan tarafındaki sayılar (C), kablo döşeme derinliğini cm cinsinden gösterir. Kablo döşeme derinliği 1-6 cm arasında ayarlanabilir.

### Gidon yüksekliğini ayarlama

Gidon yüksekliği 5 konuma ayarlanabilir.

1. Tutma yerini (A) saat yönünün tersine çevirerek gevşetin ve topuzu (B) çıkarın. (Şek. 39)
2. Gidonun yüksekliğini ayarlayın ve topuzu en yakın konumdaki deliğe takın.
3. Tutma yerini saat yönünde döndürerek sıkın.

### Gidonu yatırma

Ürünü kullanırken engellerin size çarpmasını önlemek için gidonu yatırabilirsiniz. Gidon, hem sağ hem de sol tarafta 4 konuma yatırılabilir.

1. Gidon yatırma kolunu (A) gidon yönünde tamamen çekin ve bu konumda tutun. Gidon yatırma kolu, gidonun sol alt tarafındadır. (Şek. 40)
2. Gidonu, sol veya sağ taraftaki 4 konumdan 1'ine doğru yatırın ve gidon yatırma kolunu serbest bırakın. Gidon konumunu kilitleyen pimin yuvalarını 1'inde olduğundan emin olun. (Şek. 41)

## Besleme kanatçığının dönme işlevini kilitleme

Kabloyu uzun düz kısımlara yerleştirdiğinizde yönün hassasiyetini artırmak için besleme kanatçığının dönme işlevini kilitleyebilirsiniz.

- Besleme kanatçığının ürünle aynı yönde olduğundan emin olun ve tutma yerini (A) sıkın. (Şek. 42)

## Kablo kılavuzunu ayarlama

Ürün 4 mm'lik kablolar için ayarlanmıştır. Kablonun çapı daha büyükse kablo kılavuzu ayarlanmalıdır.

1. 2 vidayı gevşetin. (Şek. 43)
2. Kablo kılavuzunu birkaç milimetre yukarı hareket ettirin.
3. 2 vidayı sıkın.

## İz genişliğini ayarlama

Tekerleklerin konumu farklı iz genişliklerine göre ayarlanabilir. Aksın hem sol hem de sağ tarafında 4 ayar deliği vardır. İz genişliği matkabın merkezinden 250, 270, 290 veya 310 mm mesafede ayarlanabilir. (Şek. 44)

1. Pimi (A) çekip çıkarın.
2. Tekerlekleri gerekli iz genişliğine ayarlayın.
3. Pimi akstaki 4 delikten (B) birine yerleştirin.
4. Emniyet yayını kilitleyin.

## İşe başlama

Kablo ve matkap takıldıktan sonra operatörün kabloyu yere sabitlemesi gerekir.

1. Yere bir kazık yerleştirin.
2. Kablonun kablo kılavuzunun alt kısmından çıkan kısmını kazığa sabitleyin.

## 2 kablolu kılavuzu kullanma

Ürün, çalışma alanının dış çevresinden geçirilecekse aynı anda 2 kablo yerleştirilmesi gerekir.

1. Tüm çevre boyunca tek 1 kablo yerleştirin. Bkz. şekil (A) ve (B). (Şek. 45) (Şek. 46)

2. Şekilde (C) gösterilen noktadayken besleme kanatçığını topraktan çıkarmak için destek tekerleğini en yüksek konuma getirin. Kabloyu kazıkla bağlayın ve bir sonraki noktaya kadar toprağın üzerindeki kabloyla devam edin. (Şek. 47)
3. Kabloyu şekilde (D) gösterilen noktada bir kazığa tekrar takın. (Şek. 48)
4. Besleme kanatçığını doğru kablo döşeme derinliğine yerleştirin ve adayı oluşturmak için kabloyu yerleştirmeye devam edin. Bkz. şekil (E). (Şek. 49)
5. Şekilde (F) belirtilen noktaya ulaştığınızda, kazığı çıkarın ve besleme kanatçığını temizleyin. Bkz. *Besleme kanatçığını temizleme sayfa: 419.* (Şek. 50)
6. Kabloyu zemin üzerinde kablo kılavuzuna monte edin. (Şek. 51)
7. 2 kabloyu şekilde (G) gösterilen noktaya aynı anda yerleştirin. 2 kabloyu bir kazığa bağlayın ve ikinci kabloyu kablo kılavuzundan çıkarın. (Şek. 52)
8. Çevre kablosunu şekilde (H) gösterilen noktaya yerleştirmeye devam edin. (Şek. 53)

## Ürünü durdurma

3 dakika boyunca çalıştırmazsanız ürün otomatik olarak durur.

1. Tekerleklerdeki tahriki devre dışı bırakmak için tahrik kolunu (A) serbest bırakın. (Şek. 37)
2. Matkabı durdurmak için matkap çalıştırma kolunu serbest bırakın. (Şek. 17)
3. Kontrol paneli üzerindeki çalıştırma/durdurma düğmesine basın.
4. Kontrol paneli üzerindeki bekleme düğmesine basın.
5. Akü kapağını açın.
6. Güvenlik anahtarını güvenlik kilidinden çıkarın ve güvenlik anahtarını tutucusuna yerleştirin.
7. Besleme kanatçığını temizlemek için kazıyıcıyı kullanın. Bkz. *Besleme kanatçığını temizleme sayfa: 419.*
8. Her işlemden sonra matkap başını temizleyin ve yağlayın. Bkz. *Matkap başını temizleme ve yağlama sayfa: 419.*

## Bakım

### Giriş



**UYARI:** Bakım yapmadan önce güvenlik bölümünü okuyup anlamaz gerekir.

Ürüne uygulanacak tüm servis ve onarım işlemleri için özel eğitim gereklidir. Profesyonel onarım ve servis hizmetlerinin mevcut bulunduğunu garanti etmekteyiz.

Daha ayrıntılı bilgi için bkz. [www.husqvarna.com](http://www.husqvarna.com).

### Bakım takvimi

Bakım aralıkları, ürünün günlük kullanımına göre hesaplanır. Ürün her gün kullanılmazsa aralıklar değişir.

\* işaretli bakım işlemleri için bkz. *Ürünün üzerindeki güvenlik araçları sayfa: 414.*

	Her kulla- nımda	Aylık ola- rak	Her mev- simde
Genel inceleme yapın.	X		
Üründeki güvenlik araçlarının hatalı olmadığından emin olma *.	X		
Matkabı ve besleme kanatçığını kontrol edin.	X		
Matkap çalıştırma kolunu kontrol edin *.	X		
Çalıştırma/durdurma düğmesinin doğru şekilde çalıştığından ve arızalı olmadığından emin olun.	X		
Aküde hasar olup olmadığını kontrol edin.	X		
Akü şarjını kontrol etme.	X		
Aküdeki serbest bırakma düğmelerinin doğru şekilde çalıştığından ve akünün ürüne sabitlendiğinden emin olun.	X		
Motorun üzerindeki hava girişlerini temizleyin. Hava girişlerinde çim veya kir olmadığından emin olun.	X		
Boyasız parçaları yağlayın.	X		
Çinko kaplamanın aşındığı kısımları yağlayın.	X		
Matkap başını temizleyin ve yağlayın.	X		
Besleme kanatçığını temizleyin.	X		
Akü şarj cihazında hasar olup olmadığını kontrol edin ve cihazın doğru şekilde çalıştığından emin olun.		X	
Akü ile ürün arasındaki bağlantıları kontrol edin. Akü ile akü şarj cihazı arasındaki bağlantıyı da kontrol edin.			X

## Besleme kanatçığını temizleme

- Toprağı gidermek ve besleme kanatçığını temizlemek için kazıyıcıyı kullanın. (Şek. 54)

## Besleme kanatçığını değiştirme

1. Ürünü öne doğru yatırın ve yavaşça yere koyun.
2. 2 vidayı (A) ve besleme kanatçığını (B) çıkarın. (Şek. 55)
3. Yeni besleme kanatçığını ters sırada takın.

## Matkabı değiştirme

1. Üründeki çimleryi ve kiri temizleyin.



**DİKKAT:** Kurulum sırasında matkaba kir veya diğer istenmeyen malzemeler girmediklerinden emin olun.

**Not:** Her çalışmadan sonra matkap muhafazasını temizleyin ve yağlayın.

2. Kısa vidayı (A) ve matkap başını (B) milden (C) çıkarın. (Şek. 56)

**Not:** Matkabı değiştirmek için 6 mm alyan anahtar gereklidir.

3. Uzun vidayı (D) ve matkabı (E) matkap başından çıkarın.
4. Matkap başına yeni bir matkap yerleştirin ve uzun vidayı takın.
5. Matkap başını mile takın.
6. Vidaları sıkın.

## Matkap başını temizleme ve yağlama

Her işlemden sonra matkap başını tamamen temizleyin.

1. Ürünü öne doğru yatırın ve yavaşça yere koyun.
2. Çim, kir ve istenmeyen malzemeleri yumuşak bir fırçayla temizleyin.
3. Daha küçük çim ve kir parçacıklarını temizlemek için basınçlı hava kullanın.
4. Vidaları (A) matkap başından (B) çıkarın ve matkabı (C) çıkarın. (Şek. 56)
5. 2 vidayı (D) gevşetin ve besleme kanatçığını (E) çıkarın. (Şek. 57)

6. Vidayı (F) sökün ve matkap başını (G) milden (H) çıkarın. (Şek. 58)
7. Ürünü temizlemek için basınçlı hava kullanın. Tüm kir, çim ve diğer istenmeyen maddelerin temizlendiğinden emin olun.
8. Gerekirse kirli gresi uygun bir çözücü ile temizleyin.
9. Tüm bileşenleri uygun bir çözücüyle temizleyin ve her bileşeni yağlayın.
10. Mıle su geçirmez gres sürün. (Şek. 59)



**UYARI:** Aküyü temizlemek için kimyasal maddeler kullanmayın.

- Aküyü akü şarj cihazına yerleştirmeden önce akünün ve akü şarj cihazının temiz ve kuru olduğundan emin olun.
- Akü terminallerini basınçlı hava ile temizleyin veya yumuşak ve kuru bir bez ile silin.
- Akü ve akü şarj cihazının yüzeylerini yumuşak ve kuru bir bezle temizleyin.

## Aküyü ve akü şarj cihazını temizleme



**UYARI:** Aküyü veya akü şarj cihazını suyla temizlemeyin.

## Sorun giderme

### Sorun giderme

Bu kılavuzda sorununuz için bir çözüm bulamazsanız Husqvarna servis noktanızla iletişime geçin.

Sorun	Neden
Motor çalışmıyor.	Akü şarj olmuyor.
	Akü doğru takılmamış.
	Akü arızalıdır.
	Kontrol paneli arızalı.
Matkap dönmüyor.	Kayış aşınmıştır.
	Kayış kasnaklardan çıkmış.
	Kol, kayışa yeterince gerginlik uygulamıyor.
Matkap çalıştırma kolu serbest bırakıldığında matkap dönmeye devam ediyor.	Matkap çalıştırma kolundan gelen tel aşınmış veya hasar görmüş.
Ürün düzgün çalışmıyor.	Matkap aşınmış veya arızalı.
	Matkap, doğru şekilde takılmamış.
Ürün, tahrik kolu devreye alındığında hareket etmiyor.	Tahrik kolundan gelen tel aşınmış veya hasar görmüş.
	Şanzıman kayışları aşınmıştır.
	Zincir kopmuş veya yeterince gergin değil.
	Şanzıman muhafazasının içindeki kavrama diskleri aşınmış.
Matkap başı çıkarılmıyor.	Ünite içinde istenmeyen malzeme var.
	Sistemin içinde oksit var.
Kablunun toprağa yerleştirilen yalıtımını hasarlı.	Besleme kanatçığındaki kablo çıkış deliği hasar görmüş.
	Kablunun bulunduğu ve besleme kanatçığının bir parçası olan boru kirli.

## Akü

Aküdeki LED	Neden	Çözüm
Yeşil LED yanıp sönüyor.	Akü voltajı düşüktür.	Aküyü şarj edin. Bkz. <i>Aküyü şarj etme sayfa: 416.</i>
Hata LED'i yanıp sönüyor.	Akünün gücü zayıftır.	Aküyü şarj edin. Bkz. <i>Akü sayfa: 421.</i>
	Çalışma ortamındaki sıcaklık çok yüksek veya çok düşüktür.	Aküyü -10°C ile 40°C arasındaki sıcaklıklarda kullanın.
	Yüksek voltaj.	Şebeke voltajının, ürünün nominal değerler plakasındakiyle aynı olduğundan emin olun. Aküyü şarj cihazından çıkarın. 5 saniye bekleyin ve aküyü şarj etmeyi tekrar deneyin. Sorun devam ederse yetkili bir servis noktasıyla görüşün.
Hata LED'i yanıyor.	Hücreler arasındaki fark çok büyük (1 V).	Onaylı bir servis noktasıyla görüşün.

## Akü şarj cihazı

Akü şarj cihazındaki LED	Neden	Çözüm
Hata LED'i yanıp sönüyor.	Çalışma ortamındaki sıcaklık çok yüksek veya çok düşüktür.	Akü şarj cihazını 5°C ile 40°C arasındaki sıcaklıklarda kullanın.
Hata LED'i yanıyor.		Onaylı bir servis noktasıyla görüşün.

## Kontrol paneli

Hata kodu (yanıp sönme sayısı)	Olası arızalar	Olası prosedür
5	Motor devri çok düşüyor ve motor duruyor.	Matkap başını temizleyin ve kablo döşeme derinliğini azaltın. <i>Matkap başını temizleme ve yağlama sayfa: 419</i> ve <i>Kablo döşeme derinliğini ayarlama sayfa: 417</i> bölümlerine bakın. Hata devam ederse yetkili servis noktanızla görüşün.
8	Akünün gücü zayıftır.	Aküyü şarj edin. Bkz. <i>Aküyü şarj etme sayfa: 416.</i>
9	Akü hatası oluştu veya akü sinyali yok.	Aküyü ürüne doğru şekilde yerleştirin ve akü konektörünü kontrol edin. Aküdeki hata LED'i yanıp sönerse bkz. <i>Akü sayfa: 421.</i>
10	Motor denetleyicisi çok sıcak.	Motoru durdurun ve soğuyana kadar bekleyin.
Diğer hatalar	Başka hatalar oluşursa güvenlik anahtarını ve aküyü çıkarın ve onaylı bir servis noktasıyla görüşün.	

# Taşıma, depolama ve atma

## Giriş



**UYARI:** Taşıma sırasında yanlışlıkla çalıştırmayı önlemek için güvenlik anahtarını yukarı çekin, aküyü çıkarın ve en az 5 saniye bekleyin.

## Taşıma

- Ürün içindeki Lityum iyon aküler Tehlikeli Maddeler Kanunu gerekliliklerine tabidir.
- Ticari amaçlı taşımalarda, paketteki ve etiketlerdeki özel gerekliliklere uyulmalıdır.
- Ürünü taşıma için hazırlarken tehlikeli malzeme yönetmeliklerine uydüğunuzdan emin olun. Yerel yönetmelikler uygulanabilir.
- Ürünü taşırken aküyü kesinlikle çıkarın.
- Akü konektörlerine bant yapıştırın ve taşıma sırasında akünün hareket edemeyeceğinden emin olun.
- Taşıma sırasında ürünü bağlayın.

## Saklama

- Depolamadan önce ürünün soğumasını bekleyin.
- Ürünü depolarken aküyü kesinlikle çıkarın.
- Kazaları önlemek için depolama sırasında akünün ürüne bağlı olmadığından emin olun.
- Akü şarj cihazını kapalı ve kuru bir alanda tutun.
- Aküyü ve akü şarj cihazını, nem veya don olmayan kuru bir alanda tutun.
- Depolama sırasında aküyü şarj cihazından ayırın.
- Aküyü, statik elektrik oluşabilecek yerlerde tutmayın. Aküyü metal bir kutuda tutmayın.

- Ürünü, ortam sıcaklığının  $-10^{\circ}\text{C}$  ile  $40^{\circ}\text{C}$  arasında olduğu bir yerde tutun.
- Aküyü, ortam sıcaklığının  $5^{\circ}\text{C}$  ile  $25^{\circ}\text{C}$  arasında olduğu ve güneş ışığı almayan yerlerde tutun.
- Akü şarj cihazını, ortam sıcaklığının  $5^{\circ}\text{C}$  ile  $45^{\circ}\text{C}$  arasında olduğu ve güneş ışığı almayan yerlerde tutun.
- Uzun süreli depolamadan önce akünün %30 - %50 dolu olduğundan emin olun.
- Ürünü, aküyü ve akü şarj cihazını, çocukların ve onaylı olmayan kişilerin erişemeyeceği kilitli bir alanda tutun.
- Ürünü temizleyin.
- Bu kullanım kılavuzunda verilen bakım prosedürlerini gerçekleştirin. Bkz. *Bakım takvimi sayfa: 418*.
- Ürünü uzun süre depolamadan önce ürüne eksiksiz bir bakım yapın.

## Atma

Ürün veya ürün ambalajı üzerinde bulunan semboller, bu ürünün evsel atık olarak değerlendirilemeyeceğini belirtir. Elektrikli ve elektronik ekipman, kurtarma için uygun bir geri dönüşüm istasyonuna gönderilmelidir.

Bu ürüne doğru önemin verilmesini sağlayarak, çevreye ve insanlara olabilecek potansiyel negatif etkisini önlemeye yardımcı olabilirsiniz, aksi takdirde bu ürünün yanlış atık yönetimi durumunda negatif etkiler meydana gelebilir. Bu ürünün geri dönüşümü hakkında daha ayrıntılı bilgi için belediyenize, mahallenizdeki atık hizmetine veya ürünü satın aldığınız mağazaya danışın.

(Şek. 60)

## Teknik veriler

Matkap motoru	
Motor tipi	BLDC (fırçasız) 36 V
Motor devri – nominal, dev/dak	3000/dak
Motor devri – yüksek yük, dev/dak	3300/dak
Motor çıkışı – maksimum, kW	1,8
Motor çıkışı – nominal, kW	1,2
Şanzıman	Yağ banyolu dişlilere sahip mekanik dişli kutusu
Kavrama	Kayış tipi, makaralı
Ağırlık	

Aküsüz ağırlık, kg	39
2 adet BLi300 dahil ağırlık, kg	43
<b>Akü</b>	
Akü tipi	Husqvarna Akü serisi
<b>Akü çalışma süresi</b>	
Akü çalışma süresi, dak. <sup>97</sup>	38
<b>Gürültü emisyonu <sup>98</sup></b>	
Ses gücü düzeyi, ölçülmüş L <sub>WA</sub> dB (A)	84
Ses gücü düzeyi, garantili L <sub>WA</sub> dB (A)	86
<b>Ses düzeyleri <sup>99</sup></b>	
Operatörün kulağındaki ses basıncı düzeyi, dB (A)	66
<b>Titreşim düzeyleri <sup>100</sup></b>	
Tutma yeri, m/sn <sup>2</sup>	1,8
<b>Kablo döşeme ekipmanı</b>	
Kablo döşeme derinliği, cm	1-6
Matkap ile tekerlek kenarı arasındaki mesafe, mm	250, 270, 290, 310
Matkap	597 04 84-01

Onaylı aküler	Marka	Tip	Akü kapasitesi, Ah	Voltaaj, V	Ağırlık, lb/kg
BLi300	Husqvarna	Lityum iyon	9,4	36	4,1/1,9

Belirtilen aküler için onaylı şarj cihazları, BLi	Marka	Giriş voltaajı, V	Frekans, Hz	Güç, W
QC500	Husqvarna	100-240	50-60	500

<sup>97</sup> Serbest çalışma, standart mod etkinken ve 1 Husqvarna 9,4 Ah (BLi300) aküyle ölçülmüştür.

<sup>98</sup> 2000/14/AT sayılı AT direktifi uyarınca ses gücü (L<sub>WA</sub>) olarak çevrede ölçülen gürültü emisyonu düzeyi.

<sup>99</sup> Ses basıncı düzeyi için bildirilen verilerdeki tipik istatistik dağılımı (standart sapma) 1,2 dB(A) şeklindedir.

<sup>100</sup> Titreşim düzeyi için bildirilen verilerdeki tipik istatistik dağılımı (standart sapma) 0,2 m/sn<sup>2</sup> şeklindedir. Titreşim standardı EN 1032+A1:2009.

# Uyumluluk Bildirimi

## AB Uyumluluk Bildirimi

Biz, **Husqvarna AB**, SE-561 82 Huskvarna, İsveç, tel: +46-36-146500 olarak tek sorumlu vasfıyla ürüne ilişkin aşağıdaki beyanlarda bulunmaktayız:

<b>Açıklama</b>	Kablo katmanı
<b>Marka</b>	Husqvarna
<b>Tip/Model</b>	CL400i
<b>Kimlik</b>	2022 ve sonrası tarihli seri numaraları

aşağıdaki AB direktifleri ve yönetmelikleriyle tamamen uyumludur:

<b>Düzenleme</b>	<b>Açıklama</b>
2006/42/AT	"makinelerle ilgili"
2014/30/AB	"elektromanyetik uyumlulukla ilgili"
2011/65/AB	"elektrikli ve elektronik ekipmanlarda belirli tehlikeli maddelerin kullanımının kısıtlanmasına ilişkin"

ve aşağıdaki standartlar ve/veya teknik özellikler uygulanmıştır: EN ISO 12100:2010, EN ISO 14119:2013, EN ISO 14120:2015, EN ISO 13857:2019, EN 62841-1:2015+AC:2015, EN ISO 11202:2010, EN 1032:2009, EN 55014-1:2017, EN 55014-2:2015, EN 63000:2018.

Gürültü emisyonları ile ilgili bilgi için bkz. *Teknik veriler sayfa: 422*.

Huskvarna, 2022-03-21



Claes Losdal, Geliştirme Müdürü/Bahçe Ürünleri,  
Husqvarna AB

Teknik dokümantasyon sorumlusu





## AB Uyumluluk Bildirimi

Biz, **Husqvarna AB**, SE-561 82 Huskvarna, İsveç, tel: +46-36-146500 olarak tek sorumlu vasfıyla ürüne ilişkin aşağıdaki beyanlarda bulunmaktayız:

<b>Açıklama</b>	Kablo katmanı
<b>Marka</b>	Husqvarna
<b>Tıp/Model</b>	CL400i
<b>Kimlik</b>	2022 ve sonrası tarihli seri numaraları

aşağıdaki AB direktifleri ve yönetmelikleriyle tamamen uyumludur:

<b>Düzenleme</b>	<b>Açıklama</b>
2006/42/AT	"makinelere ilgili"
2014/30/AB	"elektromanyetik uyumlulukla ilgili"
2011/65/AB	"elektrikli ve elektronik ekipmanlarda belirli tehlikeli maddelerin kullanımının kısıtlanmasına ilişkin"

ve aşağıdaki standartlar ve/veya teknik özellikler uygulanmıştır: EN ISO 12100:2010, EN ISO 14119:2013, EN ISO 14120:2015, EN ISO 13857:2019, EN 62841-1:2015+AC:2015, EN ISO 11202:2010, EN 1032:2009, EN 55014-1:2017, EN 55014-2:2015, EN 63000:2018.

Gürültü emisyonları ile ilgili bilgi için bkz. *Teknik veriler sayfa: 422.*

Huskvarna, 2022-03-21



Claes Losdal, Geliştirme Müdürü/Bahçe Ürünleri,  
Husqvarna AB

Teknik dokümantasyon sorumlusu

Türk ithalat şirketi daha fazla bilgi için temas edilecek:  
Çullas Orman Bahçe ve Tarım Mak. San. Tic. A.Ş.  
Suadiye Mh. Bağdat Cd. No:455/4  
Kadıköy – 34740 İstanbul / Türkiye  
Telefon: +90 216 519 88 82  
Faks: +90 216 519 88 78  
info@cullas.com.tr



---

## Зміст

---

Вступ.....	426	Усунення несправностей.....	438
Безпека.....	427	Транспортування, зберігання й утилізація.....	440
Збирання.....	432	Технічні характеристики.....	441
Експлуатація.....	433	Декларація відповідності.....	443
ТЕХНІЧНЕ ОБСЛУГОВУВАННЯ.....	436		

---

## Вступ

---

### Опис виробу

Цей виріб – це машина для прокладання кабелів, керована пішим оператором.

газонокосарок у землю. Забороняється використовувати виріб для інших завдань.

### Призначення

Використовуйте цей пристрій для прокладання граничного та напрямного дроту для роботизованих

### Огляд виробу

(Мал. 1)

1. Скоба керування бурінням
2. Скоба нахилу рукоятки
3. Привідна скоба
4. Лічильник
5. Пристрій для намотування кабелю
6. Ребро подачі
7. Бур
8. Панель керування
9. Ключ безпеки
10. Акумулятор (додатковий аксесуар)
11. Зарядний пристрій (додатковий аксесуар)
12. Посібник користувача

(Мал. 9) Використовуйте захисну маску.

(Мал. 10) Режим очікування (чорна кнопка).

(Мал. 10) Запуск і зупинка двигуна (червона кнопка).

(Мал. 11) Цей виріб і його пакування не можна утилізувати разом із побутовими відходами. Утилізацію необхідно проводити на підприємстві з переробки відходів електричного й електронного обладнання.

(Мал. 12) Виріб відповідає належним вимогам директив ЄС.

### Символи на виробі

(Мал. 2) ПОПЕРЕДЖЕННЯ

(Мал. 3) Увага! Деталі, що обертаються. Тримайте руки та ноги на безпечній відстані.

(Мал. 4) Остерігайтеся рикошету й об'єктів, які можуть вилітати з-під виробу.

(Мал. 5) Прочитайте інструкцію.

(Мал. 6) Сторонні особи та тварини повинні перебувати на безпечній відстані від робочої зони.

(Мал. 7) Ризик травмування очей осіб поблизу.

(Мал. 8) Захищайте від дощу.

(Мал. 13) Цей виріб відповідає вимогам застосованих норм Сполученого Королівства.

(Мал. 14) Етикетка з інформацією щодо шумових викидів у навколишнє середовище відповідно до вимог директив і нормативних актів ЄС і Сполученого Королівства та Закону про збереження навколишнього середовища (контроль шуму) 2017 р. Нового Південного Уельсу. Гарантований рівень звукової потужності виробу вказано в розділі *Технічні характеристики на сторінці 441* і на етикетці.

(Мал. 15) Виріб має захист від потрапляння крапель.

**Зверніть увагу:** Інші позначення на виробі відповідають вимогам сертифікації для певних ринків.

## Пошкодження виробу

Ми не несемо відповідальності за пошкодження, якщо:

- виріб було неправильно відремонтовано;
- виріб було відремонтовано із використанням деталей, виготовлених не виробником або не затверджених ним;
- виріб обладнано аксесуаром, виготовленим не виробником або не затвердженим ним;
- виріб було відремонтовано в неавторизованому сервісному центрі або неавторизованою компанією;

## Безпека

### Визначення щодо безпеки

Попередження, застереження й примітки служать для наголошення на особливо важливих положеннях посібника.



**ПОПЕРЕДЖЕННЯ:** Вказує на те, що в разі порушення інструкцій, наведених у цьому посібнику, існує небезпека поранення або смерті оператора чи інших осіб, що знаходяться поруч.



**УВАГА:** Вказує на те, що в разі порушення інструкцій, наведених у цьому посібнику, існує небезпека пошкодження виробу, інших матеріалів або навколишніх об'єктів.

**Зверніть увагу:** Використовується для надання додаткової інформації щодо певної ситуації.

### Загальні правила техніки безпеки для виробу



**ПОПЕРЕДЖЕННЯ:** Ознайомтеся з усіма попередженнями, правилами техніки безпеки, інструкціями, рисунками й технічними характеристиками до цього виробу. Недотримання наведених далі інструкцій може призвести до враження електричним струмом, пожежі та / або серйозних травм.

**Збережіть усі попереджувальні знаки й інструкції для їх використання в майбутньому.** Терміном «виріб» у попередженнях позначається ваш виріб, що працює від електромережі (з кабелем), або акумуляторний (безпроводний) виріб.

### Безпека в робочій зоні

- **Забезпечуйте порядок та добре освітлення в робочій зоні.** Безлад і погане освітлення сприяють нещасним випадкам.

- **Не використовуйте інструмент у вибухонебезпечному середовищі, наприклад поблизу легкозаймистих рідин, газів або пилу.** Виріб утворює іскри, від яких можуть зайнятися пил чи випари.
- **Не підпускайте до себе дітей і сторонніх осіб, коли працюєте з виробом.** Ви можете відволіктися та втратити контроль.

### Електробезпека

- **Вилки виробу мають підходити до розетки. У жодному разі не змінюйте вилку будь-яким чином.** Під час роботи із заземленими виробами не використовуйте жодних перехідників. Вилки оригінальної конструкції та відповідні за типом розетки зменшують ризик ураження електричним струмом.
- **Уникайте тілесного контакту із заземленими поверхнями, такими як труби, радіатори, кухонні плити й холодильники.** Існує підвищений ризик ураження електричним струмом, якщо ваше тіло заземлене.
- **Не тримайте виріб під дощем або у вологих умовах.** Потрапляння води у виріб підвищує ризик ураження електричним струмом.
- **Використовуйте кабель лише за призначенням. За жодних умов не використовуйте кабель для перенесення чи перетягування виробу й не тягніть за нього, щоб вийняти вилку з розетки.** Тримайте кабель подалі від джерела тепла, мастила, гострих країв або рухомих деталей. Пошкоджені чи заплутані кабелі збільшують ризик ураження електричним струмом.
- **Під час експлуатації виробу надворі використовуйте подовжувальний кабель, що підходить для застосування надворі.** Використання кабелю, який підходить для застосування надворі, знижує ризик ураження електричним струмом.
- **Якщо застосування виробу у вологому середовищі неможливо уникнути, використовуйте джерело живлення, обладнане пристроєм захисного відключення (ПЗВ).** Використання ПЗВ знижує ризик ураження електричним струмом.

## Особиста безпека

- **Будьте пильними, слідкуйте за тим, що робите, і дотримуйтеся здорового глузду під час експлуатації виробу. Не використовуйте виріб, коли ви втомлені або перебуваєте під впливом наркотиків, алкоголю чи лікарських засобів.**  
Утрата уваги на мить під час експлуатації виробу може призвести до серйозної травми.
- **Використовуйте засоби індивідуального захисту. Обов'язково необхідно користуватися засобами захисту для очей.** Захисне спорядження, наприклад респіратор, черевки з нековзною підшоєю, каска або захисні навушники за використання у відповідних умовах зменшують ризик травмування.
- **Запобігайте випадковому запуску. Переконайтеся, що вимикач перебуває у вимкненому положенні, перш ніж підключати виріб до джерела живлення чи акумуляторної батареї, піднімати або переносити його.** Небезпечно переносити виріб, тримаючи палець на перемикачі, або заряджати його, коли перемикач установлено в положення ввімкнення, оскільки це може призвести до нещасних випадків.
- **Перед увімкненням виробу приберіть будь-які регульовальні або гайкові ключі.** Якщо залишити на деталі виробу, яка обертається, регульовальний або гайковий ключ, це може призвести до травмування.
- **Не тягніться. Завжди дотримуйтесь правильної дистанції і балансування.** Це дасть змогу краще контролювати виріб у несподіваних ситуаціях.
- **Одягайтеся правильно. Не вдягайте просторий широкий одяг, не надягайте на себе ювелірні вироби.** Тримайте волосся й одяг подалі від рухомих частин. Просторий широкий одяг, ювелірні вироби або довге волосся можуть потрапити в рухомі деталі.
- **У разі наявності обладнання з видалення й збору пилу переконайтеся в тому, що воно під'єднано та використовується правильно.** Використання обладнання для збору пилу зменшує ризики, пов'язані з пилом.
- **Досвід роботи, набутий упродовж регулярного використання цього виробу, не є підставою для недбалого експлуатації виробу й нехтування технікою безпеки.** Необережні дії можуть миттєво призвести до тяжких травм.

## Експлуатація виробу та догляд за ним

- **Не докладайте силу до виробу. Використовуйте виріб, що підходить для ваших потреб.** Виріб краще, безпечніше й швидше виконає ту роботу, для якої він призначений.
- **Не використовуйте виріб, якщо вимикач не працює.** Будь-який виріб, яким неможливо керувати за допомогою вимикача, є небезпечним і підлягає ремонту.

- **Коли ви збираєтеся виконувати будь-які налаштування, замінювати приладдя або залишати виріб на зберігання, спочатку витягніть штекер із розетки живлення чи змінний акумуляторний блок із виробу.** Такі запобіжні заходи зменшують ризик ненавмисного запуску виробу.
- **Вимкнені вироби зберігайте в недоступному для дітей місці й не дозволяйте користуватися ними особам, які не ознайомилися з порядком використання виробу або цієї інструкцією.** Вироби становлять небезпеку в руках нелідованих користувачів.
- **Виконуйте технічне обслуговування виробів і приладдя. Перевіряйте виріб на предмет зміщення чи вигину рухомих деталей, поломки деталей і будь-якого іншого стану, що може негативно позначитися на роботі виробу.** У разі пошкодження відремонтуйте виріб, перш ніж користуватися ним. Багато нещасних випадків виникають унаслідок недостатнього технічного обслуговування виробів.
- **Підтримуйте різальні елементи в нагостреному та чистому стані.** Різальні елементи, що добре обслуговуються та мають гострі різальні кромки, будуть легше керуватися та з меншою імовірністю будуть заклинати.
- **Використовуйте виріб, приладдя й біти відповідно до цієї інструкції, урахуваючи умови та характер роботи, яку потрібно виконати.** Використання виробу для виконання непередбачених операцій може призвести до небезпечної ситуації.
- **Рукоятки та поверхні для тримання мають бути сухими, чистими й незжиреними.** Утримування виробу за слизькі рукоятки чи інші поверхні для тримання є порушенням правил техніки безпеки й завжди керувати виробом у непередбачених ситуаціях.

## Служба

- **Сервісне обслуговування виробу має виконувати кваліфікований майстер за використання лише ідентичних запасних частин.** Це гарантуватиме підтримання безпечної роботи виробу.
- **За жодних умов не виконуйте технічного обслуговування пошкоджених акумуляторних блоків.** Технічне обслуговування акумуляторних блоків має виконуватися лише виробником або повноваженим постачальником послуг.

## Використання інструментів з акумуляторною батареєю та догляд за ними

- **Зарядку батареї слід здійснювати виключно за допомогою зарядного пристрою, зазначеного виробником.** Використання зарядного пристрою, призначеного для роботи з батареями одного типу, з батареями іншого типу може спричинити пожежу.

- **Використовуйте пристрої лише із сумісними акумуляторними блоками.** Використання акумуляторних батарей інших типів може призвести до травмування чи пожежі.
- **Якщо акумуляторний блок не використовується, слід тримати його подалі від металевих предметів, таких як скріпки, монети, ключі, цвяхи, гвинти й інші дрібні металеві предмети, які можуть з'єднати один контакт батареї з іншим.** Замикання контактів акумулятора може призвести до опіків або пожежі.
- **У разі неправильного застосування з акумулятора може випліскуватися рідина; уникайте контакту з нею. При випадковому контакті промийте місце контакту водою. В разі потраплення рідини в очі на додаток до їхнього інтенсивного промивання зверніться по медичну допомогу.** Рідина з акумуляторної батареї може викликати подразнення та опіки.
- **Не використовуйте пошкоджені чи змінений акумуляторний блок або інструмент.** Із пошкодженими чи видозміненими батареями може статися непередбачуване: вони можуть зайнятися, вибухнути або створити інший ризик травмування оператора.
- **Захищайте акумуляторний блок та інструмент від вогню й надмірних температур.** Під впливом вогню або температури понад 130 °C (265 °F) може статися вибух.
- **Дотримуйтеся всіх інструкцій із заряджання й не заряджайте акумуляторний блок чи інструмент поза межами діапазону температур, зазначеного в інструкціях.** Неналежне заряджання за температури поза межами зазначеного діапазону може пошкодити акумулятор і підвищує ризик займання.

## Загальні правила техніки безпеки



**ПОПЕРЕДЖЕННЯ:** Перш ніж розпочати використання виробу, уважно прочитайте наведені нижче попередження.

- Цей виріб може бути небезпечним у разі неправильного або недбалого використання. Порушення правил техніки безпеки може призвести до травм або смерті.
- Під час роботи цього виробу утворюється електромагнітне поле. Це поле може за деяких умов взаємодіяти з активними чи пасивними медичними імплантатами. Щоб зменшити ризик тяжких або смертельних травм, рекомендуємо особам із медичними імплантатами проконсультуватися зі своїм лікарем і виробником медичного імплантату перед початком експлуатації цього виробу.
- Завжди будьте обережні й керуйтеся здоровим глуздом. Якщо ви маєте сумніви щодо того, як користуватися виробом у конкретній ситуації,

припиніть роботу й проконсультуйтеся з дилером Husqvarna.

- Пам'ятайте, що оператор несе відповідальність за нещасні випадки, у результаті яких постраждали інші особи або їхнє майно.
- Тримайте пристрій у чистоті. Переконайтеся, що знаки та наклейки читабельні.
- У жодному разі не дозволяйте користуватися приладом дітям або людям, які не ознайомилися із цим посібником. Вік оператора може обмежуватися місцевими нормами.
- Завжди наглядайте за особами з обмеженими фізичними чи розумовими можливостями, які використовують виріб. Біля виробу, що працює, має завжди перебувати відповідальна доросла особа.
- Забороняється використовувати виріб, якщо ви втомлені, хворі, чи перебуваєте під впливом наркотиків, алкоголю або медикаментів. Ці фактори мають негативний вплив на ваш зір, зосередженість, свідомість і координацію рухів.
- Не використовуйте виріб, який пошкоджений або працює неналежним чином.
- Заборонено вносити зміни в конструкцію виробу чи використовувати виріб, якщо є підозра, що його було змінено сторонніми особами.

## Техніка безпеки



**ПОПЕРЕДЖЕННЯ:** Перш ніж розпочати використання виробу, уважно прочитайте наведені нижче попередження.

- Використовуйте цей пристрій для прокладання граничного та напрямного дроту для роботизованих газонокосарок у землю. Забороняється використовувати виріб для інших завдань.
- Використовуйте засоби індивідуального захисту. Див. *Засоби індивідуального захисту на сторінці 430.*
- Дізнайтеся, як швидко зупинити двигун в екстреній ситуації.
- Не використовуйте виріб під дощем або в умовах підвищеної вологості. Потраплення води у виріб збільшує загрозу ураження електричним струмом.
- Забороняється використовувати виріб без правильно встановленого бура та всіх кожухів. Неправильно встановлений бур може від'єднатися й призвести до травм.
- Перед використанням виробу приберіть з робочої зони всі гілки, лозу та каміння.
- Предмети, що вдаряться об обладнання для прокладання кабелів, можуть відлетіти й поранити сторонніх осіб або пошкодити інші предмети. Сторонні особи та тварини повинні знаходитися на безпечній відстані від виробу.

- Забороняється використовувати виріб за поганої погоди на кшталт туману, дощу, сильного вітру, значного холоду або грози. Робота в погану погоду або на вологих ділянках виснажує. Погана погода може стати причиною небезпечних умов роботи, таких як слизькі поверхні.
- Бережіться осіб, предметів і ситуацій, які можуть зашкодити безпечній роботі виробу.
- Бережіться перешкод на кшталт коріння, каміння, глок, ям або канав. Висока трава може приховувати перешкоди.
- Не використовуйте виріб на ділянках із нахилом понад 15°.
- Будьте вкрай обережні, розвертаючись на схилах. Використовуйте виріб на схилах у горизонтальному напрямку. Не рухайтесь ввєрх і вниз.
- Будьте обережні, наближаючись до прихованих кутів та предметів, які можуть закривати поле зору.
- Слідкуйте, щоб бур не зачіпляв сторонні предмети на кшталт каміння та коріння. Це може призвести до пошкодження бура та згинання вала двигуна. Зігнутий вал двигуна спричиняє значні вібрації та призводить до ризику від'єднання бура від виробу.
- У разі удару бура о будь-який сторонній предмет чи появи вібрації негайно зупиніть машину. Зупиніть двигун, витягніть ключ безпеки та вийміть акумулятор. Зачекайте, доки рухомі деталі зупиняться. Перевіряйте виріб на наявність пошкоджень. Надійно закріпіть деталі, що розхиталися. Відремонтуйте пошкодження й замініть пошкоджені деталі. Доручайте ремонт авторизованому центру обслуговування.
- Забороняється закріплювати скобу свердління на рукоятці, коли працює двигун.
- Поставте виріб на тверду рівну поверхню й увімкніть його.
- Під час роботи з виробом завжди залишайтеся позаду нього.
- Під час роботи з виробом всі колеса мають залишатися на землі, а обидві руки треба тримати на ручці.
- Тримайте руки й ноги на безпечній відстані від бура, що обертається.
- Не нахилийте виріб під час запуску двигуна чи використання.
- Будьте обережні під час руху у зворотному напрямку.
- Забороняється піднімати виріб, коли двигун увімкнено. Якщо треба підняти виріб, спочатку зупиніть двигун, витягніть ключ безпеки та вийміть акумулятор.
- Не рухайтесь у зворотному напрямку під час роботи з виробом.
- Відпустіть скобу свердління, щоб зупинити бур, коли необхідно нахилити виріб для транспортування.

- Не бігайте з виробом, коли двигун увімкнений. Під час роботи з виробом необхідно ходити зі звичайною швидкістю.
- Перш ніж змінювати глибину прокладання кабелю, вимикайте двигун. Забороняється виконувати регулювання за увімкненого двигуна.
- Забороняється залишати виріб без нагляду, коли двигун працює. Зупиніть двигун і переконайтеся, що бур не обертається.
- Рівень вібрації виробу під час роботи може відрізнятись від заявленого в розділі *Технічні характеристики на сторінці 441*. Відмінність зумовлена різними умовами використання виробу. Якщо ви використовуєте виріб часто або впродовж довгого часу, регулярно робіть перерви, щоб уникнути травмування внаслідок вібрації.

## Правила техніки безпеки під час використання виробу

Перш ніж розпочати використання виробу, уважно прочитайте наведені далі інструкції.

- Переконайтеся, що кабель у жолобі для вкладки кабелю не пошкоджено.
- Переконайтеся, що трубка в ребрі подачі справна. Замініть трубку, якщо вона зношена або пошкоджена.

(Мал. 16)

- Переконайтеся, що краї отвору не гострі та не пошкоджені. Якщо жолоб для вкладки кабелю пошкоджений, замініть його.
- Переконайтеся в тому, що всі гвинти добре затягнуті.
- Переконайтеся, що всі важелі перебувають у нейтральному положенні.

## Засоби індивідуального захисту



**ПОПЕРЕДЖЕННЯ:** Перш ніж розпочати використання виробу, уважно прочитайте наведені нижче попередження.

- Засоби індивідуального захисту не можуть повністю усунути небезпеку травмування, але в разі нещасного випадку знизять ступінь тяжкості травми. Дозвольте дилеру допомогти вам із вибором підходящого обладнання.
- Використовуйте взуття із захистом від ковзання для роботи у важких умовах. Забороняється використовувати відкрите взуття або працювати взагалі без нього.
- Використовуйте цупкі довгі штани.
- За потреби використовуйте рукавички, наприклад якщо необхідно приєднати, оглянути або почистити обладнання для прокладання кабелів.
- Рекомендуємо використовувати засоби захисту органів слуху.

## Запобіжне обладнання на виробі



**ПОПЕРЕДЖЕННЯ:** Перш ніж розпочати використання виробу, уважно прочитайте наведені нижче попередження.

- Не використовуйте виріб із запобіжними пристроями, які пошкоджені або не працюють належним чином.
- Не демонтуйте й не змінюйте захисні пристрої.
- Регулярно перевіряйте захисні пристрої. Якщо запобіжні пристрої пошкоджені або не працюють належним чином, зверніться до центру обслуговування Husqvarna.

### Ключ безпеки

Ключ безпеки знаходиться під кришкою акумуляторного відсіку. Ключ безпеки під'єднує акумулятор, який у свою чергу живить двигун.

### Перевірка ключа безпеки

Ключ безпеки під'єднує акумулятор, який у свою чергу живить двигун.

- Запустіть і зупиніть двигун. Якщо ключ безпеки справний, двигун заводиться лише тоді, коли ключ вставлено в запобіжний замок.

### Скоба керування бурінням

Скоба керування бурінням зупиняє бур. Якщо відпустити скобу керування бурінням, бур зупиниться.

Щоб перевірити роботу скоби керування бурінням, запустіть двигун, а потім відпустіть скобу керування бурінням. Якщо бур не зупиниться протягом 3 секунд, зверніться в авторизований центр обслуговування компанії Husqvarna.

(Мал. 17)

### Заходи безпеки під час роботи з акумуляторами



**ПОПЕРЕДЖЕННЯ:** Перш ніж розпочати використання виробу, уважно прочитайте наведені нижче попередження.

- Для живлення виробів Husqvarna необхідно використовувати лише акумулятори Husqvarna. Щоб уникнути травмування, заборонено використовувати акумулятор як джерело живлення для інших приладів.
- Не використовуйте одноразові акумулятори.
- небезпека враження електричним струмом. Заборонено під'єднувати клеми акумулятора до ключів, монет, гвинтів або інших металевих предметів. Це може призвести до короткого замикання в акумуляторі.

- Заборонено вставляти предмети у вентиляційні отвори акумулятора.
- Тримайте акумулятор подалі від прямих сонячних променів, джерел тепла й відкритого вогню. Акумулятор може вибухнути, що призведе до опіків та/або хімічних опіків.
- Бережіть акумулятор від дощу та вологи.
- Захищайте акумулятор від впливу мікрохвиль чи високого тиску.
- Заборонено розбирати чи ламати акумулятор.
- У разі витікання рідини з акумулятора стежте, щоб вона не потрапила на тіло чи в очі. Якщо рідина потрапила на шкіру, промийте вражену ділянку великою кількістю води й зверніться по медичну допомогу.
- Використовуйте акумулятор виробу лише за температури навколишнього середовища від 5 °C до 40 °C.
- Використовуйте зарядний пристрій акумулятора лише за температури навколишнього середовища від 5 °C до 40 °C.
- Акумулятор не заряджатиметься, якщо його температура перевищує 50 °C.
- Заборонено мити батарею чи заряджальний пристрій водою. Дивіться розділ *Чищення акумулятора й заряджального пристрою на сторінці 437*.
- Не користуйтеся пошкодженим акумулятором.
- Зберігайте акумулятор подалі від металевих предметів на кшталт цвяхів, монет, ювелірних виробів.

### Заходи безпеки під час роботи із зарядним пристроєм



**ПОПЕРЕДЖЕННЯ:** Перш ніж розпочати використання виробу, уважно прочитайте наведені нижче попередження.

- Для заряджання замічних акумуляторів Husqvarna необхідно використовувати лише зарядні пристрої QC.
- Ризик короткого замикання й ураження електричним струмом. Забороняється вставляти предмети у вентиляційні отвори зарядного пристрою. Заборонено розбирати зарядний пристрій. Не торкайтеся металевих предметів контактами зарядного пристрою. Використовуйте сертифіковані електричні розетки.
- Під час роботи цього виробу утворюється електромагнітне поле. Це поле може за деяких умов взаємодіяти з активними чи пасивними медичними імплантатами. Щоб зменшити ризик тяжких або смертельних травм, рекомендуємо особам із медичними імплантатами проконсультуватися зі своїм лікарем і виробником медичного імплантату перед початком експлуатації цього виробу.

- Регулярно перевіряйте шнур живлення зарядного пристрою на предмет пошкоджень та тріщин.
- Заборонено підіймати зарядний пристрій, тримаючи його за шнур живлення. Щоб від'єднати зарядний пристрій від настінної розетки, витягніть штепсельну вилку. У жодному разі не тягніть за шнур живлення.
- Тримайте шнур живлення та подовжувачі на безпечній відстані від води, мастил і гострих предметів. Переконайтеся, що кабель не здавлено дверима, огорожею або іншими предметами. У такому випадку зарядний пристрій може опинитися під напругою.
- Заборонено мити зарядний пристрій водою.
- Діти віком від 8 років та особи з обмеженими фізичними, сенсорними або психічними можливостями або особи, які не мають досвіду та знань, можуть використовувати зарядний пристрій лише під наглядом або після належного інструктажу щодо безпечного його використання, за умови розуміння ними пов'язаних із таким використанням ризиків. Дітям заборонено грати із зарядним пристроєм. Дітям заборонено виконувати чищення та обслуговування без нагляду.
- Не намагайтеся заряджати одноразові батареї за допомогою зарядного пристрою.
- Заборонено використовувати зарядний пристрій поблизу легкозаймистих або корозійних матеріалів. Заборонено накривати зарядний пристрій. При появі диму чи вогню витягніть штепсель зарядного пристрою з розетки.
- Не користуйтеся пошкодженим зарядним пристроєм.
- Заряджати акумулятор слід тільки в добре провітрюваних приміщеннях та подалі від сонячного світла. Не заряджайте акумулятор у вологому середовищі.

## Правила техніки безпеки під час обслуговування



**ПОПЕРЕДЖЕННЯ:** Перш ніж розпочати використання виробу, уважно прочитайте наведені нижче попередження.

- Перед технічним обслуговуванням виробу виймайте ключ безпеки.
- Виконуйте технічне обслуговування правильно, адже це допоможе збільшити термін експлуатації виробу та зменшить небезпеку виникнення нещасних випадків. Доручайте професійний ремонт уповноваженому центру обслуговування. Більш детальну інформацію можна дізнатися в найближчому центрі обслуговування.
- Виконуйте лише те технічне обслуговування, що наведене в цьому посібнику користувача.
- Торкатися обладнання для прокладання кабелів можна лише в міцних робочих рукавицях.
- Для забезпечення найкращої продуктивності та безпеки пристрою його слід тримати чистим.
- Регулярно віддавайте виріб у центр обслуговування, де його будуть перевіряти, робити необхідні налаштування або ремонт.
- Замінюйте пошкоджені, зношені або зламані деталі.
- Дотримуйтеся інструкцій щодо заміни аксесуарів. Користуйтеся аксесуарами лише від виробника обладнання.
- Коли виріб не використовується, зберігайте його окремо від акумулятора та зарядного пристрою в сухому закритому приміщенні. Переконайтеся, що діти та особи без належної підготовки не зможуть отримати доступ до виробу, акумулятора чи зарядного пристрою.

## Збирання

### Вступ



**ПОПЕРЕДЖЕННЯ:** Перед збиранням виробу уважно прочитайте розділ про правила техніки безпеки.

### Порядок установлення бура

1. Вставте бур (А) у головку бура (В) і встановіть довгий гвинт (С). (Мал. 18)

**Зверніть увагу:** Під час установлення бура використовуйте 6-мм шестигранний ключ.

2. Установіть головку бура на вал (D), використовуючи короткий гвинт (E).
3. Затягніть гвинти.

### Порядок установлення кабелю

Машина обладнана пристроєм для намотування кабелю, який можна зняти.

1. Покладіть кабель на пристрій для намотування. Використовуючи ручку, повертайте пристрій для намотування за годинниковою стрілкою.

**Зверніть увагу:** Кабель має бути намотано за годинниковою стрілкою, щоб він плавно розмотувався під час роботи. (Мал. 19)

2. Просовуйте кабель у трубку в ребрі подачі (А), доки кабель не вийде через отвір унизу (В) приблизно на 5 см. (Мал. 20)



## Порядок установлення та зняття пристрою для намотування кабелю

1. Послабте регульовальну ручку (А). (Мал. 21)
2. Витягніть стопор (В).
3. Зніміть пристрій для намотування кабелю (С).

4. Установіть пристрій для намотування кабелю (D). Якщо необхідно, скористайтеся адаптером. (Мал. 22)
5. Установіть стопор (Е) і затягніть регульовальну ручку (F).

## Експлуатація

### Вступ



**ПОПЕРЕДЖЕННЯ:** Перед експлуатацією виробу обов'язково прочитайте й усвідомте зміст розділу про заходи безпеки.

### Husqvarna Fleet Services™

Husqvarna Fleet Services™ є хмарним рішенням, яке надає оператору можливість оглядати всі під'єднані вироби. На цей виріб можна встановити датчик Husqvarna Fleet Services™. Датчик Husqvarna Fleet Services™ збирає дані про виробу й дає змогу оператору під'єднуватися до системи Husqvarna Fleet Services™. Система Husqvarna Fleet Services™ повідомляє такі дані, як час роботи, інтервали обслуговування та місце розташування виробу.

Для отримання додаткової інформації про Husqvarna Fleet Services™ завантажте додаток Husqvarna Fleet Services™ або зверніться до представника Husqvarna.

### Підготовка датчика (додатковий аксесуар)

1. Відкрийте кришку датчика спеціальним ключем. (Мал. 23)
2. Вийміть датчик.
3. Під'єднайте акумулятор до датчика. Ввімкнеться світлодіодний індикатор датчика. (Мал. 24)
4. Завантажте програму Husqvarna Fleet Services™.
5. Увійдіть в обліковий запис у програмі Husqvarna Fleet Services™.
6. Виконайте сполучення. Див. *Сполучення програми та виробу на сторінці 433*

### Сполучення програми та виробу

1. Увійдіть в обліковий запис у програмі Husqvarna Fleet Services™.
2. Оберіть у програмі свій виріб.
3. Відскануйте код на задній частині датчика своїм мобільним пристроєм, щоб додати датчик до програми.

**Зверніть увагу:** Сполучення програми та виробу необхідно виконати лише один раз.

### Установлення датчика

1. Переконайтеся в тому, що датчик під'єднаний до програми Husqvarna Fleet Services™. Див. *Сполучення програми та виробу на сторінці 433*.
2. Просвердліть 2 отвори по відмітках у гнізді корпусу. (Мал. 25)

**Зверніть увагу:** Переконайтеся, що отвори мають той же розмір, що й заклепки, які постачаються разом із датчиком.

3. Плоскогубцями від'єднайте зовнішні отвори на гнізді датчика. (Мал. 26)
4. Просвердліть 2 отвори по відмітках у гнізді датчика. (Мал. 27)
5. Сумістіть гніздо датчика з гніздом корпусу. (Мал. 28)
6. Зафіксуйте гніздо датчика заклепками.
7. Установіть датчик у гніздо. Сумістіть білу позначку на датчику з позначкою на гнізді датчика. (Мал. 29)
8. Закрийте кришку датчика й зафіксуйте її спеціальним ключем. Переконайтеся, щоб верхня частина логотипу компанії Husqvarna (H) знаходилася подалі від ключа безпеки. (Мал. 30)

### Акумулятор



**ПОПЕРЕДЖЕННЯ:** Перед використанням акумулятора обов'язково прочитайте й усвідомте зміст розділу про заходи безпеки. Також необхідно прочитати й усвідомити зміст посібника користувача для акумулятора та зарядного пристрою.

Дотримуйтеся вимог щодо температури навколишнього середовища для акумулятора й зарядного пристрою.

	Температура навколишнього середовища
Використання акумулятора	5–40 °C
Зарядження акумулятора	5–40 °C

## Стан акумулятора

На дисплеї відображаються поточний стан заряду акумулятора та можливі проблеми під час його роботи. Поточний стан заряду акумулятора відображається протягом 5 секунд після вимкнення виробу або натискання індикаторної кнопки акумулятора. У разі виникнення будь-якої помилки на дисплеї акумулятора з'являється попереджувальний символ. Див. *Акумулятор на сторінці 439.*

(Мал. 31)

Світлодіодні індикатори	Стан акумулятора
Горять усі світлодіодні індикатори	Акумулятор заряджений повністю (75-100 %)
Горять світлодіодні індикатори 1, 2 та 3	Акумулятор заряджений на 50-75 %.
Горять світлодіодні індикатори 1 та 2	Акумулятор заряджений на 25-50 %.
Горить світлодіодний індикатор 1	Акумулятор заряджений на 0-25 %
Блимає світлодіодний індикатор 1	Акумулятор розряджений. Зарядіть акумулятор

## Зарядка акумулятора

Перед першим використанням акумулятор слід зарядити. Акумулятор постачається зарядженим лише на 30 % ємності.

**Зверніть увагу:** Зарядний пристрій слід під'єднувати лише до джерел електроживлення з напругою та частотою, вказаними на табличці з паспортними даними.

Акумулятор не заряджається, якщо його температура перевищує 50°C. Перед початком заряджання зарядний пристрій зменшує температуру акумулятора.

1. Під'єднайте один кінець шнура живлення зарядного пристрою до його роз'єму.
2. Під'єднайте інший кінець шнура живлення зарядного пристрою до електричної розетки із заземленням. Світлодіод зарядного пристрою блимне один раз зеленим кольором. (Мал. 32)
3. Встановіть акумулятор у зарядний пристрій. Якщо акумулятор підключено правильно, на зарядному пристрої загоряється зелений індикатор. (Мал. 33)
4. Якщо загоряються всі світлодіодні індикатори, це означає, що акумулятор повністю заряджений. Тривалість заряджання акумулятора не повинна перевищувати 24 години.

5. Щоб від'єднати зарядний пристрій із розетки, тримайтеся тільки за штепсель, не тягніть за шнур.
6. Вийміть акумулятор із зарядного пристрою.

## Стан заряджання акумулятора

Літій-іонний акумулятор Husqvarna можна заряджати та використовувати за будь-якого рівня зарядки. Акумулятор не буде пошкоджено. Повністю заряджена акумуляторна батарея не втрачає заряд, якщо її залишити в зарядному пристрої.

Світлодіодний дисплей	Стан зарядки
Блимає світлодіодний індикатор 1	0-25 %
Горить світлодіодний індикатор 1, блимає світлодіодний індикатор 2	25-50 %
Горять світлодіодні індикатори 1, 2, блимає світлодіодний індикатор 3	50-75 %
Горять світлодіодні індикатори 1, 2, 3, блимає світлодіодний індикатор 4	75-100 %
Горять світлодіодні індикатори 1, 2, 3, 4	Заряджено повністю

## Дії перед початком роботи з виробом

1. Зволожуйте землю водою за день до виконання робіт у літній час або в разі роботи із сухим ґрунтом.
2. Переконайтеся, що люди та тварини перебувають на відстані не менше 20 м від виробу.
3. Покладіть кабель на пристрій для намотування. Див. *Порядок установлення кабелю на сторінці 432.*
4. Відрегулюйте глибину прокладання кабелю. Див. *Налаштування глибини прокладання кабелю на сторінці 435.*
5. Прикріпіть кінець кабелю до кілка.

## Запуск виробу

1. Нахиліть рукоятку вбік. Дивіться розділ *Нахилення рукоятки на сторінці 435.*
2. Відкрийте кришку акумуляторного відсіку.
3. Установіть акумулятор у гніздо № 1 під кришкою. Для більш тривалого часу використання вставте другий заряджений акумулятор у гніздо № 2.
4. Вийміть ключ безпеки з тримача.
5. Вставте ключ безпеки в запобіжний замок. (Мал. 34)

6. Залишайтеся позаду виробу.
7. Натисніть кнопку режиму очікування (А) на панелі керування. Увімкнеться індикатор режиму очікування (В). (Мал. 35)
8. Натискайте кнопку ввімкнення / вимкнення (С), доки вона не залишиться натиснутою. Двигун запуститься.



**УВАГА:** Не використовуйте пристрій, якщо сигнальний індикатор (D) блимає червоним.

9. Щоб запустити бур, потягніть скобу керування бурінням у напрямку рукоятки. (Мал. 36)

## Підключення приводу до коліс

- Щоб запустити привод на колесах, потягніть приводну скобу (А) у напрямку рукоятки. (Мал. 37)
- Відпустіть приводну скобу, щоб вимкнути привод на колесах.

## Налаштування глибини прокладання кабелю

1. Послабте регульовальну ручку (А). (Мал. 38)
2. Відрегулюйте допоміжне колесо (В) на необхідну глибину прокладання кабелю та затягніть ручку.

**Зверніть увагу:** Цифри (С) збоку трубки допоміжного колеса показують глибину прокладання кабелю в сантиметрах. Глибину прокладання кабелю можна регулювати в межах 1–6 см.

## Налаштування висоти рукоятки

Рукоятка регулюється за висотою й має 5 положень.

1. Поверніть рукоятку (А) проти годинникової стрілки, щоб послабити її, і зніміть ручку (В). (Мал. 39)
2. Відрегулюйте висоту рукоятки та встановіть ручку в отвір найближчого положення.
3. Для затягування поверніть рукоятку за годинниковою стрілкою.

## Нахилення рукоятки

Рукоятку можна нахилити, щоб ви не вдарилися о перешкоди під час використання виробу. Рукоятка має 4 положення нахилу вправо й 4 положення нахилу ліво.

1. Потягніть до упора скобу нахилу рукоятки (А) у напрямку рукоятки та втримуйте її. Скоба нахилу рукоятки розташована в нижньому лівому положенні рукоятки. (Мал. 40)

2. Нахиліть рукоятку в 1 з 4 положень ліворуч або праворуч і відпустіть скобу нахилу рукоятки. Переконайтеся, що штифт, який фіксує положення рукоятки, вставлено в один із прорізів. (Мал. 41)

## Блокування функції повороту ребра подачі

Щоб збільшити точність напрямку прокладання кабелю на довгих прямих ділянках, можна заблокувати функцію повороту ребра подачі.

- Переконайтеся, що ребро подачі спрямовано в тому ж напрямку, що й машину, і затягніть ручку (А). (Мал. 42)

## Налаштування напрямної кабелю

Цей виріб відрегульовано для кабелів діаметром 4 мм. Якщо кабель має більший діаметр, напрямну кабелю слід відрегулювати.

1. Відпустіть 2 гвинта. (Мал. 43)
2. Посуньте напрямну кабелю на кілька міліметрів угору.
3. Затягніть 2 гвинти.

## Регулювання ширини колії

Положення коліс можна регулювати під різну ширину колії. З кожного боку осі є по 4 регульовальних отвори. Ширину колії можна регулювати на відстань 250, 270, 290 або 310 мм від центру бура. (Мал. 44)

1. Витягніть штифт (А).
2. Відрегулюйте колеса на необхідну ширину колії.
3. Вставте штифт в один із 4 отворів (В) в осі.
4. Зафіксуйте захисну пружину.

## Початок роботи

Після монтажу кабелю та бура оператору необхідно зафіксувати кабель у ґрунті.

1. Вставте стрижень у ґрунт.
2. Зафіксуйте частину кабелю, який виходить із нижньої частини напрямної кабелю до кілка.

## Використання напрямної для двох кабелів

Якщо машина виходитиме за межі зовнішнього периметра робочої зони, необхідно прокладати одночасно два кабелі.

1. Прокладіть один кабель уздовж усього периметру. Дивіться рисунки (А) і (В). (Мал. 45) (Мал. 46)

2. Коли ви опинитеся в точці, показаній на рисунку (С), поставте допоміжне колесо в найвище положення, щоб підняти ребро подачі над землею. Прикріпіть кабель за допомогою кілка й продовжуйте тягнути кабель над землею, доки не досягнете наступної точки. (Мал. 47)
3. Прикріпіть кабель за допомогою кілка в точці, показаній на рисунку (D). (Мал. 48)
4. Помістіть ребро подачі на правильну глибину прокладання кабелю та продовжуйте прокладати кабель у борозні, щоб створити замкнутий контур. Дивіться рисунок (E). (Мал. 49)
5. Після досягнення точки, зазначеної на рисунку (F), вийміть кілок і очистьте ребро подачі. Див. *Очищення ребра подачі на сторінці 437.* (Мал. 50)
6. Прокладіть кабель над землею в напрямній кабелю. (Мал. 51)
7. Прокладіть два кабелі одночасно до точки, указаної на рисунку (G). Прикріпіть обидва кабелі до кілка та відчепіть другий кабель від напрямної кабелю. (Мал. 52)
8. Продовжуйте прокладати кабель по периметру до точки, показаній на рисунку (H). (Мал. 53)

## Вимкнення виробу

Якщо ви не користуєтесь виробом протягом 3 хвилин, він автоматично зупиняється.

1. Відпустіть приводну скобу (A), щоб вимкнути привод на колесах. (Мал. 37)
2. Відпустіть скобу керування бурінням, щоб зупинити бур. (Мал. 17)
3. Натисніть кнопку ввімкнення / вимкнення на панелі керування.
4. Натисніть кнопку режиму очікування на панелі керування.
5. Відкрийте кришку акумуляторного відсіку.
6. Вийміть ключ безпеки із запобіжного замка та вставте його в тримач.
7. Використовуючи шкребок, очистьте ребро подачі. Див. *Очищення ребра подачі на сторінці 437.*
8. Після кожної операції очищення та змащуйте головку бура. Див. *Очищення та змащення головки бура на сторінці 437.*

## ТЕХНІЧНЕ ОБСЛУГОВУВАННЯ

### Вступ



**ПОПЕРЕДЖЕННЯ:** Перед виконанням робіт із технічного обслуговування обов'язково прочитайте й усвідомте зміст розділу про заходи безпеки.

Для всіх робіт з обслуговування та ремонту необхідна спеціальна підготовка. Ми гарантуємо доступність послуг із професійного ремонту та обслуговування.

Для отримання більш детальної інформації див. [www.husqvarna.com](http://www.husqvarna.com).

### Графік технічного обслуговування

Інтервали технічного обслуговування вказані з урахуванням щоденного використання виробу. Інтервали змінюються для іншої частоти використання виробу.

Відомості про види обслуговування, позначені зірочкою (\*), див. у розділі *Запобіжне обладнання на виробі на сторінці 431.*

	Перед кожним використанням	Щомісяця	Щосезонно
Загальна перевірка.	X		
Перевірка справності захисних систем виробу*.	X		
Перевірка бура й ребра подачі.	X		
Перевірка скоби керування бурінням*.	X		
Переконайтеся, що кнопка ввімкнення / вимкнення справна й не пошкоджена.	X		
Перевірка акумулятора на наявність пошкоджень.	X		
Перевірка рівня заряду акумулятора.	X		

	Перед кожним використанням	Щомісяця	Щосезонно
Перевірка справності кнопок виймання акумулятора та надійності утримання акумулятора у виробі.	X		
Очищення всмоктувачів повітря на двигуні. Переконайтеся, що на всмоктувачах повітря не накопичилися трава або бруд.	X		
Змащення непофарбованих частин.	X		
Змащення частин, цинкове покриття яких стерлося.	X		
Очищення та змащення головки бура.	X		
Очищення ребра подачі.	X		
Перевірка зарядного пристрою на наявність пошкоджень та правильності його роботи.		X	
Перевірка з'єднань між акумулятором та виробом. Перевірка з'єднань між акумулятором та зарядним пристроєм.			X

## Очищення ребра подачі

- Використовуючи шкребок, видаліть землю з ребра подачі. (Мал. 54)

## Заміна ребра подачі

- Нахиліть виріб уперед і повільно покладіть його на землю.
- Викрутіть 2 гвинти (А) й ребро подачі (В). (Мал. 55)
- Установіть нове ребро подачі у зворотному порядку.

## Заміна бура

- Видаліть із машини траву та бруд.



**УВАГА:** Переконайтеся, що бруд або інші непотрібні матеріали не потрапили в бур під час процесу монтажу.

**Зверніть увагу:** Після роботи щоразу очищуйте та змащуйте корпус бура.

- Вийміть короткий гвинт (А) і зніміть головку бура (В) з вала (С). (Мал. 56)

**Зверніть увагу:** Під час заміни бура використовуйте 6-мм шестигранний ключ.

- Вийміть довгий гвинт (D) і бур (E) з головки бура.
- Вставте новий бур у головку бура та встановіть довгий гвинт.
- Установіть головку бура на вал.

- Затягніть гвинти.

## Очищення та змащення головки бура

Після кожної операції повністю очищайте головку бура.

- Нахиліть виріб уперед і повільно покладіть його на землю.
- Видаліть траву, бруд і небажані матеріали м'якою щіткою.
- Для видалення дрібних частинок трави та бруду використовуйте стиснене повітря.
- Вийміть гвинти (А) з головки бура (В) і витягніть бур (С). (Мал. 56)
- Відкрутіть 2 гвинти (D) і зніміть ребро подачі (E). (Мал. 57)
- Вийміть гвинт (F) і зніміть головку бура (G) з вала (H). (Мал. 58)
- Почистьте машину, застосовуючи стиснене повітря. Переконайтеся, що весь бруд, траву та інші засмічення видалено.
- У разі необхідності видаліть забруднене мастило, застосовуючи відповідний розчинник.
- Очистьте всі компоненти відповідним розчинником і змастіть їх.
- Нанесіть водостійке мастило на вал. (Мал. 59)

## Чищення акумулятора й заряджального пристрою



**ПОПЕРЕДЖЕННЯ:** Заборонено мити батарею чи заряджальний пристрій водою.



**ПОПЕРЕДЖЕННЯ:** Для очищення акумулятора не треба використовувати будь-які хімічні речовини.

- Чистити контакти акумулятора треба стисненим повітрям або за допомогою м'якої сухої ганчірки.
- Чистити поверхню акумулятора й заряджального пристрою треба за допомогою м'якої сухої ганчірки.

- Перш ніж уставити акумулятор у заряджальний пристрій, переконайтеся, що вони обидва чисті й сухі.

## Усунення несправностей

### Усунення несправностей

Якщо вам не вдається вирішити проблему за допомогою інструкцій в цьому посібнику, зверніться до свого центру обслуговування Husqvarna.

Несправність	Причина
Двигун не запускається.	Акумулятор не заряджений.
	Акумулятор встановлено неправильно.
	Несправний акумулятор.
	Несправна панель керування.
Бур не обертається.	Пас зносився.
	Пас вийшов зі шківів.
	Важіль недостатньо натягує пас.
Бур продовжує обертатися, коли скобу керування бурінням відпущено.	Дріт, що пролягає від скоби керування бурінням, зношений або пошкоджений.
Виріб працює неправильно.	Бур зношений або пошкоджений.
	Бур встановлено неправильно.
Коли задіяно приводну скобу, машина не рухається.	Дріт, що пролягає від приводної скоби, зношений або пошкоджений.
	Зносилися паси трансмісії.
	Ланцюг зламаний або недостатньо натягнутий.
	Зносилися диски зчеплення в картері трансмісії.
Головка бура не знімається.	У блок потрапило сміття.
	Усередині системи сталось окислення.
Пошкоджено ізоляцію кабелю, укладеного в землю.	Пошкоджено вихідний отвір кабелю ребра подачі.
	Забруднено трубку, через яку прокладено кабель і яка є частиною ребра подачі.

## Акумулятор

Світлодіоди на акумуляторі	Причина	Рішення
Блимає зелений світлодіод.	Низька напруга акумулятора.	Зарядіть акумулятор. Див. <i>Зарядка акумулятора на сторінці 434.</i>
Блимає світлодіодний індикатор помилки.	Занизький рівень заряду акумулятора.	Зарядіть акумулятор. Див. <i>Акумулятор на сторінці 439.</i>
	Температура в робочому середовищі занадто низька або занадто висока.	Акумулятор дозволяється використовувати за температури від $-10\text{ }^{\circ}\text{C}$ до $+40\text{ }^{\circ}\text{C}$ .
	Перенапруга.	Переконайтеся, що напруга в мережі відповідає значенням, указаним на табличці з паспортними даними виробу.  Вийміть акумулятор із зарядного пристрою. Почекайте 5 секунд і спробуйте зарядити акумулятор. Якщо проблему не вдається усунути, зверніться в авторизований центр обслуговування.
Горить світлодіодний індикатор помилки.	Завелика різниця напруги між елементами (1 В).	Зверніться в авторизований центр обслуговування.

## Зарядний пристрій акумулятора

Світлодіодний індикатор на зарядному пристрої	Причина	Рішення
Блимає світлодіодний індикатор помилки.	Температура в робочому середовищі занадто низька або занадто висока.	Зарядний пристрій дозволяється використовувати за температури від $5\text{ }^{\circ}\text{C}$ до $40\text{ }^{\circ}\text{C}$ .
Горить світлодіодний індикатор помилки.		Зверніться в авторизований центр обслуговування.

## Панель керування

Код помилки (кількість спалахів)	Можливі несправності	Можливі виправлення
5	Частота обертання двигуна занадто падає, і він зупиняється.	Очистьте головку бура та зменште глибину прокладання кабелю. Див. <i>Очищення та змащення головки бура на сторінці 437 та Налаштування глибини прокладання кабелю на сторінці 435.</i> Якщо помилка не виправлена, зверніться до затвердженого центру обслуговування.
8	Занизький рівень заряду акумулятора.	Зарядіть акумулятор. Див. <i>Зарядка акумулятора на сторінці 434.</i>

Код помилки (кількість спалахів)	Можливі несправності	Можливі виправлення
9	Помилка акумулятора або відсутність сигналу від нього.	Правильно вставте акумулятор у виріб і перевірте його роз'єм. Якщо світлодіодний індикатор на акумуляторі продовжує блимати, див. <i>Акумулятор на сторінці 439.</i>
10	Елементи керування двигуном занадто нагрілися.	Зупиніть двигун і дайте йому охолонути.
Інші помилки	У разі появи інших помилок вийміть ключ безпеки та акумулятор і зверніться до затвердженого центру обслуговування.	

## Транспортування, зберігання й утилізація

### Вступ



**ПОПЕРЕДЖЕННЯ:** Щоб запобігти ненавмисному запуску під час транспортування, витягніть ключ безпеки, вийміть акумулятор та почекайте принаймні 5 секунд.

### Транспортування

- До літій-іонних акумуляторів, що йдуть у комплекті, застосовується законодавство щодо небезпечних товарів.
- Під час транспортування цивільним транспортом слід дотримуватися спеціальних вимог, що зазначені на пакуванні та наклейках.
- У разі підготовки виробу до транспортування переконайтеся, що ви дотримуєтесь законодавства щодо небезпечних матеріалів. Крім того, можуть застосовуватися місцеві норми.
- Перед перевезенням виробу слід завжди виймати акумуляторну батарею.
- Заклейте з'єднувачі акумулятора стрічкою та переконайтеся, що під час транспортування він буде надійно зафіксований.
- Під час транспортування закріплюйте виріб.

### Зберігання

- Перед зберіганням виробу дайте йому охолонути.
- Перед зберіганням виробу слід завжди виймати акумулятор.
- Задля уникнення нещасних випадків переконайтеся, що під час зберігання акумулятор не під'єднаний до виробу.
- Зберігайте зарядний пристрій у сухому місці в закритому приміщенні.
- Зберігайте акумулятор та зарядний пристрій у сухому місці, захищеному від вологи та холоду.
- Під час зберігання від'єднуйте акумулятор від зарядного пристрою.

- Заборонено зберігати акумулятор у місці, де можуть утворюватися статичні заряди. Не зберігайте акумулятор у металевій коробці.
- Зберігайте виріб за температури навколишнього середовища від  $-10^{\circ}\text{C}$  до  $40^{\circ}\text{C}$ .
- Зберігайте акумулятор за температури навколишнього середовища від  $5^{\circ}\text{C}$  до  $25^{\circ}\text{C}$  у захищеному від прямих сонячних променів місці.
- Зберігайте зарядний пристрій акумулятора за температури навколишнього середовища від  $5^{\circ}\text{C}$  до  $45^{\circ}\text{C}$  у захищеному від прямих сонячних променів місці.
- Перед тривалим зберіганням акумуляторної батареї переконайтеся, що рівень її заряду становить 30–50 %.
- Зберігайте виріб, акумулятор та зарядний пристрій у закритому приміщенні, куди не зможуть отримати доступ діти та особи без належної підготовки.
- Очищення виробу
- Виконуйте роботи з технічного обслуговування, які описані в цьому посібнику користувача. Див. *Графік технічного обслуговування на сторінці 436.*
- Перед тривалим зберіганням виробу виконайте його повне технічне обслуговування.

### Утилізація

Символи на виробі або його упаковці вказують на те, що його не слід утилізувати разом з побутовими відходами. Утилізацію цього виробу слід здійснювати на спеціалізованому підприємстві з переробки відходів електричного й електронного обладнання.

Належна утилізація виробу допоможе запобігти потенційному негативному впливу на стан навколишнього середовища та здоров'я людей, який може стати наслідком некоректної обробки відходів. Докладну інформацію про утилізацію цього виробу можна отримати в органах місцевого



самоврядування, місцевих службах переробки відходів або в магазині, де було придбано цей пристрій.

(Мал. 60)

## Технічні характеристики

<b>Двигун буріння</b>	
Тип двигуна	Двигун постійного струму (без щіток) 36 В
Частота обертів двигуна – номінальна, об/хв	3000/хв
Частота обертання двигуна – підвищена потужність, об/хв	3300/хв
Вихідна потужність двигуна – максимальна, кВт	1,8
Вихідна потужність двигуна – номінальна, кВт	1,2
Трансмісія	Механічна коробка передач із зубчастими передачами в масляній ванні
Зчеплення	Пасове, зі шківом
<b>Маса</b>	
Маса без акумулятора, кг	39
Маса разом із двома акумуляторами BLi300, кг	43
<b>Акумулятор</b>	
Тип акумулятора	Серія акумуляторів Husqvarna
<b>Ресурс акумулятора</b>	
Ресурс акумулятора, хв <sup>101</sup>	38
<b>Випромінювання шуму <sup>102</sup></b>	
Вимірний рівень звукової потужності, $L_{WA}$ дБ(А)	84
Гарантований рівень звукової потужності, $L_{WA}$ дБ(А)	86
<b>Рівні звуку <sup>103</sup></b>	
Рівень звукового тиску у вусі оператора, дБ(А)	66
<b>Рівні вібрації <sup>104</sup></b>	
Рукоятка, $m/s^2$	1,8
<b>Обладнання для прокладання кабелю</b>	
Глибина прокладання кабелю, см	1–6
Відстань між буром і кромкою колеса, мм	250, 270, 290, 310

<sup>101</sup> Холостий хід, виміряно з активованим стандартним режимом і з 1 акумулятором Husqvarna 9,4 А-год (BLi300).

<sup>102</sup> Випромінювання шуму в середовище, виміряне як звукова потужність ( $L_{WA}$ ), відповідає директиві ЄС 2000/14/ЄС.

<sup>103</sup> Заявлені дані про рівень звукового тиску мають стандартну статистичну розбіжність (стандартне відхилення) у 1,2 дБ(А).

<sup>104</sup> Заявлені дані щодо рівня вібрації мають стандартну статистичну розбіжність (стандартне відхилення) у 0,2  $m/s^2$ . Стандарт вібрації EN 1032+A1:2009.

Бур	597 04 84-01
-----	--------------

Схвалені акумулятори	Бренд	Тип	Ємність батареї, ампер-години	Напруга, В	Маса, фунти / кг
BLi300	Husqvarna	Літій-іонний	9,4	36	4,1 / 1,9

Схвалені зарядні пристрої для вказаних акумуляторів, BLi	Бренд	Вхідна напруга, В	Частота, Гц	Потужність, Вт
QC500	Husqvarna	100–240	50–60	500

# Декларація відповідності

## Декларація відповідності ЄС

Ми, компанія **Husqvarna AB**, SE-561 82 Huskvarna, Швеція, тел.: +46-36-146500, заявляємо під свою виключну відповідальність, що представлений виріб:

<b>Опис</b>	Машина для прокладання кабелів
<b>Бренд</b>	Husqvarna
<b>Тип / модель</b>	CL400i
<b>Ідентифікація</b>	Серійні номери за 2022 рік і пізніше

повністю відповідає таким директивам і нормам ЄС:

<b>Норма</b>	<b>Опис</b>
2006/42/EC	«Про механічне обладнання»
2014/30/EU	«Про електромагнітну сумісність»
2011/65/EU	«Про обмеження використання деяких небезпечних речовин в електричному й електронному обладнанні»

і що до нього застосовуються вказані далі узгоджені стандарти та (або) технічні специфікації: EN ISO 12100:2010, EN ISO 14119:2013, EN ISO 14120:2015, EN ISO 13857:2019, EN 62841-1:2015+AC:2015, EN ISO 11202:2010, EN 1032:2009, EN 55014-1:2017, EN 55014-2:2015, EN 63000:2018.

Відомості стосовно випромінювання шуму дивіться в розділі *Технічні характеристики на сторінці 441*.

Husqvarna, 2022-03-21



Клас Лосдал (Claes Losdal), директор із питань розвитку / продукції для садівництва, Husqvarna AB

Відповідальний за технічну документацію



## 目次

はじめに.....	444	トラブルシューティング.....	454
安全性.....	445	搬送、保管、廃棄.....	456
組立.....	449	主要諸元.....	457
Operation( 操作 ).....	450	適合宣言.....	459
メンテナンス.....	453		

## はじめに

### 製品の説明

本製品は、手押し式ケーブル埋設機です。

### 製品の概要

(図 1)

1. ドリルオペレーションペダル
2. ハンドルパーチルトペダル
3. ドライブペダル
4. カウンター
5. ケーブルワインダー
6. フィードフィン
7. ドリル
8. コントロールパネル
9. 安全キー
10. バッテリー ( アクセサリー )
11. バッテリー充電器 ( アクセサリー )
12. 取扱説明書

### 製品に表記されるシンボルマーク

- (図 2) 警告
- (図 3) 警告 : 回転する部品。手や足を近づけないでください。
- (図 4) 飛び散ったり跳ね返ってくる物体に気をつけてください。
- (図 5) すべての指示をお読みください。
- (図 6) 作業領域からは人や動物との安全な距離を保ってください。
- (図 7) 付近にいる人が目を負傷する危険性があります。
- (図 8) 雨が当たらないようにしてください。
- (図 9) 保護バイザーを着用してください。
- (図 10) スタンバイモード ( 黒いボタン )

### 用途

本製品を使用して、ロボット芝刈機の境界ワイヤーとガイドワイヤーを地面に敷設します。他の作業に本製品を使用しないでください。

- (図 10) モーターの始動および停止 ( 赤いボタン )
- (図 11) 本製品や本製品のパッケージは、一般廃棄物ではありません。電気・電子機器のリサイクル業者にリサイクルを依頼してください。
- (図 12) 本製品は EC 指令適合製品です。
- (図 13) この製品は該当する UK 規制に準拠しています。
- (図 14) 環境に対する騒音レベルは EC 指令と英国の指令および規制、ニューサウスウェールズの法規「Protection of the Environment Operations ( Noise Control ) Regulation 2017」に準拠しています。本製品の保証音響レベルは次の場所とラベルに記載されています : 主要諸元 457 ページ。
- (図 15) 本製品は防滴対応です。

**注記 :** 本製品に付いている他のシンボル / デカールは、一部の市場地域に向けた認定条件を示します。

### 製品の損傷

以下の場合、当社は製品の損傷について責任を負いません。

- 本製品が誤って修理された場合。
- メーカーによるものではない部品、またはメーカーの認可していない部品を使用して本製品を修理した場合。
- メーカーによるものではないアクセサリ、またはメーカーの認可していないアクセサリを本製品に使用した場合。
- 認定サービスセンターまたは認定販売店で本製品が修理されていない場合。

# 安全性

## 安全性の定義

警告、注意、注記は、取扱説明書の特に重要な部分を示しています。



**警告：** 取扱説明書の指示に従わない場合、使用者が負傷したり、死亡したりするか、あるいは付近の人に損傷を与える危険があることを意味します。



**注意：** 取扱説明書の指示に従わない場合、製品や他の物品、または隣接するエリアに損傷を与える危険があることを意味します。

**注記：** 特定の状況で必要とされる詳細情報を提供するために使用されます。

## 製品に関する一般的な安全上の警告



**警告：** 本製品に付属する安全に関する警告、注意事項、図、仕様をすべてお読みください。下記のすべての指示に従わない場合、感電、火災、あるいは深刻な傷害を招くことがあります。

すべての警告や説明は、以後の参考のために保管してください。警告の「製品」とは、電源で作動する（コード付）製品またはバッテリー駆動（コードレス）の製品を指します。

## 作業エリアの安全

- 作業エリアはきれいにし、適切な照度を保ってください。乱雑な場所や暗い場所では、事故が起こりやすくなります。
- 可燃性の液体や気体、塵がある所など、爆発性環境の中では本製品を作動させないでください。本製品は、塵やガスを発火させる火花を発生することがあります。
- 本製品の操作中は子供やそばにいる人たちと十分な距離を置いてください。注意が散漫になって、操作ミスを引き起こす可能性があります。

## 電気保安

- 製品のプラグはコンセントに適合しなければなりません。決してプラグを改造しないでください。アダプタープラグをアースの付いた（接地された）製品とともに使用しないでください。改造されていないプラグおよび型の同じコンセントを使用すれば、感電のリスクが低くなります。
- パイプやラジエータ、レンジ、冷蔵庫など、アースの付いた表面または接地された表面に触れないようにしてください。体が接地していたりアースされていたりすると、感電のリスクが高くなります。

- 製品を雨露や湿潤な環境にさらさないでください。製品内に水が入ると、感電のリスクが高まります。
- コードを本来の目的以外に使用しないでください。コードを持って製品を移動したり、引っ張ったり、電源を抜いたりしないでください。熱やオイル、とがった先端や可動部品にコードを近づけないでください。コードが破損したり絡まると、感電のリスクが高くなります。
- 屋外で製品を操作する場合は、屋外での使用に適した延長コードを使用してください。屋外での使用に適したコードを使用することで、感電の危険性は少なくなります。
- 湿気のある場所で製品を使用しなければならない場合は、電源を保護するために漏電遮断器（RCD）を使用してください。RCDの使用は感電の危険性を低減します。

## 個人の安全

- 製品を使用するときは、十分に気をつけて慎重に行動し、常識に従ってください。疲労時、医薬品およびアルコールの影響が残っている状態で製品を使用しないでください。製品の操作中は、一瞬の不注意が重大な人的損傷につながる可能性があります。
- 身体保護具を使用してください。常に眼の保護具を着用してください。防塵マスクや滑り止め用の安全靴、ヘルメット、イヤマフを使用すると、負傷の危険性が少なくなります。
- 予期せぬ始動を防止してください。電源およびバッテリーパックを接続する場合や本製品を持ち運ぶ場合は、必ずスイッチがオフの位置にあることを確認してください。スイッチに指を置いて製品を運んだり、製品のスイッチが入った状態で給電すると、事故につながります。
- 製品の電源を入れる前に、調整キーやレンチを外してください。本製品の回転部品にレンチやキーが取り付けられていると負傷の原因となります。
- 無理な体勢で作業しないでください。常に、安定した足場とバランスを保つようにしてください。これにより、予期しない事態でも本製品を安定した状態に保つことができます。
- 適切な服装を心がけてください。ゆったりした衣服や装身具を身につけないでください。可動部品に髪の毛や衣服を近づけないでください。ゆったりした衣服や装身具、長髪は可動部品に絡まるおそれがあります。
- 集塵装置の接続用装備が提供されている場合、それらが接続されて正しく使用されているか確認してください。集塵装置を使用すると、塵に関連する危険を回避できます。
- 製品を頻繁に使用することによる慣れで、安全への関心を失ってツールの安全原則を無視することは非常に危険です。不注意により、一瞬で深刻な事故が発生するおそれがあります。

## 製品の使用と手入れ

- 本製品に無理な力を加えないでください。用途に合った適切な製品を使用してください。適切な製品を使用することで、設計された速度でより良く安全に作業を行います。
- スイッチが機能しない場合は本製品を使用しないでください。スイッチで制御できない製品は危険なため、修理する必要があります。
- 製品の調整、アクセサリの変更、または製品の保管前は、電源プラグを外し、製品からバッテリーパックを取り外してください（着脱可能な場合）。予防的な安全対策を行うことで、誤って本製品を始動させる危険性が少なくなります。
- 使用していない製品は子供の手の届かない所に保管して、製品や製品の取り扱い方法に詳しくない人間が操作しないように注意してください。不慎れなユーザーが製品を扱うと危険です。
- 製品とアクセサリのメンテナンスを行ってください。可動部品の誤調整や巻き付き、部品の破損や製品の動作に影響するその他の状態が発生していないことを確認します。破損している場合は、本製品を修理してから使用してください。多くの事故は、製品の保守不備によって発生します。
- 切削工具は研いだ状態で清潔に保ちます。正しくメンテナンスされて研いである切削工具は、バインドすることも少なく、制御が簡単です。
- 本製品、アクセサリ、工具ビットなどは、作業条件と作業について考慮して、取扱説明書に従って使用してください。本製品の用途と異なる作業に本製品を使用すると、危険な状況を招くことがあります。
- ハンドル部および保持面は乾燥させて、オイルや油が付着しないようにきれいな状態を保ってください。ハンドルと保持面が滑りやすくと、予期しない状況で製品の安全な取り扱いや制御ができません。

## サービス

- 製品のサービスは、資格のある修理担当者が同じ交換部品を使って行うようにしてください。こうすることで、製品の安全性を維持できます。
- 損傷したバッテリーパックを決して修理しようとしなくてください。バッテリーパックの修理は、メーカーまたは販売店しか行えません。

## バッテリーツールの使用と手入れ

- メーカー指定の充電器のみを使って充電してください。1種類のバッテリーパックのみに適合する充電器は、それ以外のバッテリーパックの充電で使用すると、火災を起こす恐れがあります。
- 製品には、指定された専用バッテリーパックのみ使用してください。それ以外のバッテリーパックを使用すると、怪我や火災を招く危険があります。
- バッテリーパックを使用しないときは、ペーパーリップ、コイン、キー、爪きり、ネジなどの金物、あるいは端子間を短絡する恐れがある他の小さな金物から遠ざけるようにしてください。バッテリー端子の短絡は、火傷や火災を引き起こす恐れがあります。
- 劣悪な環境では、液体がバッテリーから漏れ出すことがあります。そのような場合、液体には触れない

ようご注意ください。もし万が一誤って触れてしまった場合、水で洗い流してください。液体が目に入ってしまった場合、医師の診察を受けてください。バッテリーから漏れ出した液体は、炎症や火傷を引き起こすことがあります。

- 故障した、または改造されたバッテリーパックやツールは使用しないでください。故障した、または改造されたバッテリーは、予測不可能な挙動を起こし、発火や破裂、障害の原因となる可能性があります。
- バッテリーパックやツールを火や高温にさらさないでください。火または 130°C (265°F) 以上の温度環境にさらすと爆発する恐れがあります。
- 充電の手順にすべて従い、指示された温度範囲外でバッテリーパックまたはツールを充電しないでください。充電を不適切に行ったり、指定された範囲から外れた温度環境で行ったりした場合、バッテリーの損傷や火災発生の危険の増加につながることがあります。

## 一般的な安全注意事項



**警告：** 本製品を使用する前に、以下の警告指示をお読みください。

- 本製品は、慎重かつ適切に使用しないと、危険な道具となります。安全注意事項に従わないと、負傷や死亡事故が発生するおそれがあります。
- 本製品では、運転中に電磁場が発生します。この電磁場は、ある条件下でアクティブ、またはパッシブな医療用インプラントに影響を及ぼすことがあります。深刻な傷害または致命傷の危険を避けるため、医療用インプラントを使用している方は、本製品を使用する前に主治医および医療用インプラントの製造元に相談することをお勧めします。
- 常に常識に基づいて注意して使用してください。特殊な状況での本製品の操作方法がわからない場合、作業を続ける前に本製品を停止して、Husqvarna 販売店までご連絡ください。
- 第三者やその所有物が事故に巻き込まれた場合、その責任は、作業者にあることをご注意ください。
- 本製品は清潔に保ってください。標識やラベルがはっきりと読み取れるようにしてください。
- 子供や使用方法に習熟していない人に、本製品を使用させないでください。地域の規制によっては、使用者の年齢制限がある場合があります。
- 身体的、精神的にハンデを負った人が本製品を使用する場合は常に監視してください。責任を有する大人が常にそばにいる必要があります。
- 疲労時、疾病時、アルコールや医薬品の影響が残っているときは、本製品を使用しないでください。視力、注意力、動作、判断力に悪影響を与えます。
- 損傷した製品や正しく動作しない製品を使用しないでください。
- 本製品を改造しないでください。また、本製品が改造されている可能性がある場合は使用しないでください。

## 安全な作業



**警告：** 本製品を使用する前に、以下の警告指示をお読みください。

- 本製品を使用して、ロボット芝刈機の境界ワイヤーとガイドワイヤーを地面に敷設します。他の作業に本製品を使用しないでください。
- 身体保護具を使用してください。参照： *身体保護具* 447 ページ。
- 緊急時にモーターをすばやく停止する方法を必ず確認してください。
- 雨降りや湿潤な環境下で本製品を操作しないでください。本製品に水が入ると、感電の危険性が高まります。
- ドリルやすべてのカバーを正しく装着してから、本製品を始動させてください。ドリルが正しく装着されていないと、緩んで怪我をするおそれがあります。
- 本製品を使用する前に、大小の枝や石などの物体を作業範囲から取り除いてください。
- ケーブル敷設装置にぶつかった物体がはじかれて、けがや物損につながるおそれがあります。本製品と周囲の人や動物との間に安全な距離を保ってください。
- 霧、雨、強風、極寒、雷の危険などの悪天候下で本製品を使用しないでください。悪天候下や、湿気のある場所、濡れた場所で本製品を使用すると疲労します。悪天候の場合、路面が滑りやすくなるなど、危険な状態を引き起こすことがあります。
- 製品の安全な操作を妨げる可能性がある人、物、状況に注意してください。
- 根、石、小枝、窪み、溝などの障害物に注意してください。長い芝の中に障害物が隠れていることがあります。
- 15 度を超える斜面では、本製品を使用しないでください。
- 斜面で向きを変えるときは、細心の注意を払ってください。斜面を横切りながら本製品を操作してください。上下に移動しないでください。
- 陰になった隅や視界を遮る物に近づくときは気を付けてください。
- ドリルが石や根などの物体に当たらないように注意してください。ドリルが損傷したり、モーターシャフトが曲がったりするおそれがあります。モーターシャフトが曲がると、振動が激しくなり、ドリルが緩む危険性が極めて高くなります。
- ドリルが物に当たったり、振動が発生したりした場合は、すぐに本製品を停止してください。モーターを停止し、安全キーを引き上げてバッテリーを取り外します。可動部品が停止するまで待ちます。製品に損傷がないか点検します。緩んだ部品を締め付けます。損傷部を修理するか、破損した部品を交換します。販売店にメンテナンスを依頼してください。
- モーターの作動中は、ドリルオペレーションペイルをハンドルに完全に固定しないでください。
- 製品を平らで安定した面に置き、始動します。

- 本製品の操作時は、必ず製品の後ろに立つてください。
- 製品を操作するときは、すべてのホイールを地面につけ、両手でハンドルをつかんで操作してください。
- 回転中のドリルに手や足を近づけないでください。
- モーターの始動時や本製品の動作中には、本製品を傾けないでください。
- 本製品を後方に引くときは注意してください。
- モーターの作動中は、本製品を持ち上げないでください。本製品を持ち上げる必要がある場合は、まずモーターを停止し、安全キーを引き上げて、バッテリーを取り外してください。
- 本製品を操作するときは、後方に歩かないでください。
- 搬送のために製品を傾ける必要がある場合は、ドリルオペレーションペイルを解放してドリルを停止してください。
- モーターの作動中は、本製品を操作しながら走らないでください。本製品を操作するときは、必ず歩いてください。
- ケーブル敷設深度を変更する場合は、まずモーターを停止してください。モーターの作動中に調整を行わないでください。
- モーターの作動中に、見えない場所に本製品を放置しないでください。モーターを停止し、ドリルが回転していないことを確認してください。
- 作動中の本製品の振動は、*主要諸元* 457 ページの公称振動値とは異なる場合があります。これは製品の使用方法が異なることが理由です。本製品を頻繁に、または長期間使用する場合は、振動による負傷を防ぐために定期的に休憩を取ってください。

## 操作のための安全注意事項

本製品を使用する前に、以下の指示をお読みください。

- ケーブルガイドのケーブルに損傷がないことを確認してください。
- フィードフィンのチューブが損傷していないことを確認してください。チューブに摩擦や損傷がある場合は交換します。

(図 16)

- 穴の周囲の縁が鋭利でなく、損傷していないことを確認してください。損傷している場合は、ケーブルガイドを交換します。
- すべてのネジが締めつけられていることを確認してください。
- すべてのレバーがニュートラル位置にあることを確認してください。

## 身体保護具



**警告：** 本製品を使用する前に、以下の警告指示をお読みください。

- 身体保護具で怪我を完全に防止できるわけではありませんが、万が一事故が起こった場合、負傷の度合いを軽減することができます。適切な保護具の選択については、販売店にご相談ください。

- 丈夫で滑りくいブーツや靴を着用してください。開放部の多い靴を使用したり、裸足で作業を行ったりしないでください。
- 厚手の長スポンを着用してください。
- ケーブル敷設装置の取り付け、点検、清掃を行う際は、必要に応じてグローブを着用してください。
- イヤマフの着用をお勧めします。

## 本製品の安全装置



**警告：** 本製品を使用する前に、以下の警告指示をお読みください。

- 損傷している、または正しく動作していない安全装置を取り付けた状態で、製品を使用しないでください。
- 安全装置を取り外したり、改造しないでください。
- 安全装置は定期的に点検してください。安全装置が損傷している、または正しく動作していない場合は、Husqvarna サービス販売店にお問い合わせください。

## 安全キー

安全キーはバッテリーカバーの下にあります。安全キーは、電源を供給するバッテリーとモーターを接続します。

## 安全キーの点検

安全キーは、電源を供給するバッテリーとモーターを接続します。

- モーターを始動および停止します。安全キーが正しく機能している場合は、安全キーが安全ロックにあるときにのみモーターが始動します。

## ドリルオペレーションペイル

ドリルオペレーションペイルはドリルを停止させます。ドリルオペレーションペイルを解放すると、ドリルが停止します。

ドリルオペレーションペイルを点検するには、モーターを始動し、ドリルオペレーションペイルを解放します。ドリルが3秒以内に停止しない場合は、認定 Husqvarna サービス代理店にお問い合わせください。

(図 17)

## バッテリーの安全



**警告：** 本製品を使用する前に、以下の警告指示をお読みください。

- Husqvarna 充電式バッテリーは、対応する Husqvarna 製品の電源としてのみ使用してください。負傷を防ぐため、このバッテリーを他の装置の電源として使用しないでください。
- 充電式ではないバッテリーは使用しないでください。

- 感電するおそれがあります。バッテリーの端子を鍵や硬貨、ネジや他の金属に接触させないでください。バッテリーが短絡する原因になります。
- バッテリーのエアスロットに物が入らないようにしてください。
- バッテリーは直射日光や熱、裸火から保護してください。バッテリーが爆発して、やけどや化学熱傷を負うおそれがあります。
- バッテリーは雨から遠ざけて、濡れない状態に維持してください。
- バッテリーは電子レンジや高圧から保護してください。
- バッテリーを分解したり壊したりしないでください。
- バッテリーから漏れが発生した場合、身体や目に液体が触れないようにしてください。液体に触れた場合は、触れた箇所を大量の水で洗い流し、医療機関に相談してください。
- 本製品のバッテリーは、周囲温度が 5°C ~ 40°C の場合にのみ使用してください。
- バッテリー充電器は、周囲温度が 5°C ~ 40°C の場合にのみ使用してください。
- バッテリーの温度が 50°C を超えると、バッテリーは充電されません。
- バッテリーまたはバッテリー充電器は、水で洗浄しないでください。参照： *バッテリーとバッテリー充電器の清掃方法 454 ページ*。
- 損傷したバッテリーは使用しないでください。
- バッテリーは、くぎ、硬貨、宝飾品などの金属から離して保管してください。

## バッテリー充電器の安全性



**警告：** 本製品を使用する前に、以下の警告指示をお読みください。

- Husqvarna 交換用バッテリーの充電には、QC バッテリー充電器のみを使用してください。
- 感電や短絡のおそれがあります。充電器のエアスロットに物を入れないでください。バッテリー充電器を分解しないでください。充電器の端子を金属に接触させないでください。認可された主電源ソケットを使用してください。
- 本製品では、運転中に電磁場が発生します。この電磁場は、ある条件下でアクティブ、またはパッシブな医療用インプラントに影響を及ぼすことがあります。深刻な傷害または致命傷の危険を避けるため、医療用インプラントを使用している方は、本製品を使用する前に主治医および医療用インプラントの製造元に相談することをお勧めします。
- 定期的に充電器の電源コードを点検し、損傷や亀裂がないことを確認してください。
- 電源コードを持ってバッテリー充電器を持ち上げないでください。主電源ソケットからバッテリー充電器を取り外す際は、プラグを引っ張ってください。電源コードを引っ張らないでください。
- 電源コードや延長ケーブルが、水、油、鋭利な物に接触しないようにしてください。ケーブルがドアや



フェンスなどに挟まっていないことを確認してください。充電器が通電する可能性があります。

- バッテリー充電器を水で洗浄しないでください。
- 本バッテリー充電器は、8才以上の子供、身体的、知覚的、精神的障害のある方、または経験や知識のない方でも、本バッテリー充電器の安全な使用に関する監督または指示を受け、関連する危険について理解することで使用できます。子供を充電器で遊ばせないでください。保護者による監督のない限り、子供にクリーニングおよびメンテナンスを行わせないでください。
- 充電不可能なバッテリーを本バッテリー充電器で充電しないでください。
- 可燃性の物質や、腐食の原因となる物質の近くでは、バッテリー充電器を使用しないでください。バッテリー充電器を覆わないでください。煙や火災が発生した場合、バッテリー充電器の電源プラグをコンセントから引き抜いてください。
- 損傷したバッテリー充電器を使用しないでください。
- バッテリーは、通気がよく直射日光が当たらない室内でのみ充電してください。濡れた状態でバッテリーを充電しないでください。

- 本製品のメンテナンスを行う前に、安全キーを外してください。
- 適切にメンテナンス作業を実施すると、製品の寿命が延び、事故のリスクを低減することができます。認定サービス代理店に専門的な修理を依頼してください。詳しくは、最寄りのサービス代理店までお問い合わせください。
- 本取扱説明書に記載されているメンテナンスのみを実施してください。
- ケーブル敷設装置に触れる際は、丈夫な手袋を着用してください。
- 安全に最適な性能を発揮させるために、本製品を清潔な状態に保ってください。
- サービス代理店に本製品の定期点検を依頼し、必要な調整や修理を受けてください。
- 損傷、摩耗、破損した部品は交換してください。
- アクセサリーの交換は、手順に従って実施してください。純正のアクセサリのみを使用してください。
- 使用しないときは、製品、バッテリー、バッテリー充電器を別々に屋内の鍵のかかる乾燥した場所に保管してください。子供や許可されていない人が、製品、バッテリー、バッテリー充電器に近づけないようにしてください。

## メンテナンスのための安全注意事項



**警告：** 本製品を使用する前に、以下の警告指示をお読みください。

## 組立

### はじめに



**警告：** 本製品を組み立てる前に、安全に関する章を読んで理解してください。

### ドリルの取り付け

1. ドリル (A) をドリルヘッド (B) に挿入し、長ネジ (C) を取り付けます。(図 18)

**注記：** ドリルを取り付けるには、6 mm の六角レンチが必要です。

2. 短ネジ (E) でドリルヘッドをシャフト (D) に取り付けます。
3. ネジを締め込みます。

### ケーブルの取り付け

本製品には、着脱可能なクラッチ付きケーブルワインダーが装備されています。

1. ケーブルをケーブルワインダーに配置します。ノブを使用して、ケーブルワインダーを時計方向に回します。

**注記：** 作動中にスムーズに巻き出されるように、ケーブルをケーブルワインダーに時計方向に巻き取っておく必要があります。(図 19)

2. ケーブルが底部 (B) から約 5 cm 出るまで、フィードフィン (A) のチューブにケーブルを押し込みます。(図 20)

### ケーブルワインダーの取り付けと取り外し

1. ノブ (A) を緩めます。(図 21)
2. リテーナー (B) を取り外します。
3. ケーブルワインダー (C) を取り外します。
4. ケーブルワインダー (D) を取り付けます。必要に応じて、アダプターを使用します。(図 22)
5. リテーナー (E) を取り付け、ノブ (F) を締めつけます。

# Operation ( 操作 )

## はじめに



**警告：** 本製品を操作する前に、安全に関する章をお読みになり、内容を理解してください。

## Husqvarna Fleet Services™

Husqvarna Fleet Services™ は、接続されているすべての製品の概要を作業者に提供するクラウドソリューションです。この製品には Husqvarna Fleet Services™ センサーを取り付けることができます。Husqvarna Fleet Services™ センサーにより製品のデータが収集され、Husqvarna Fleet Services™ システムに接続可能になります。Husqvarna Fleet Services™ システムは、作動時間、サービス間隔、製品の位置などのデータを報告します。

Husqvarna Fleet Services™ について詳しくは、Husqvarna Fleet Services™ アプリをダウンロードするか Husqvarna 担当者にお問い合わせください。

## センサー ( アクセサリー ) の準備

1. センサーキーを使用して、センサーの蓋を開けます。(図 23)
2. センサーを取り外します。
3. センサーにバッテリーを接続します。センサーの LED ランプが点灯します。(図 24)
4. Husqvarna Fleet Services™ アプリをダウンロードします。
5. Husqvarna Fleet Services™ アプリにログインします。
6. ペアリング処理を行います。参照： *アプリと本製品のペアリング 450 ページ*

## アプリと本製品のペアリング

1. Husqvarna Fleet Services™ アプリにログインします。
2. アプリで本製品を選択します。
3. センサー後部のコードをモバイルデバイスでスキャンして、アプリにセンサーを登録します。

**注記：** アプリケーションと製品のペアリングは 1 回だけ実行する必要があります。

## センサーの取り付け

1. センサーを Husqvarna Fleet Services™ アプリに接続しておく必要があります。 *アプリと本製品のペアリング 450 ページ* を参照してください。
2. エンクローチャスロットのマークに合わせて穴を 2 つ開けます。(図 25)

**注記：** 穴の寸法はセンサーに付属のリベットと同じでなければなりません。

3. プライヤーを使用して、センサースロット外側の穴を取り外します。(図 26)
4. センサースロットのマークに合わせて穴を 2 つ開けます。(図 27)
5. センサースロットをエンクローチャスロットに合わせます。(図 28)
6. センサースロットをリベットで取り付けます。
7. センサーをセンサースロットに取り付けます。センサーの白いマークとセンサースロットのマークを合わせます。(図 29)
8. センサーの蓋を閉じ、センサーキーでロックします。Husqvarna の「H」の上部と安全キーが逆方向になっていることを確認します。(図 30)

## バッテリー



**警告：** バッテリーを使用する前に、安全に関する章をお読みになり、内容を理解してください。バッテリーおよびバッテリー充電器の取扱説明書もお読みになり、内容を理解してください。

バッテリーとバッテリー充電器を適切な周辺温度の場所に保管します。

	周辺温度
バッテリーの作動	5 °C ~ -40 °C
バッテリーの充電	5 °C ~ -40 °C

## バッテリーの状態

ディスプレイには、バッテリー残量やバッテリーに関する問題が表示されます。バッテリー容量は、本製品の電源がオフになった後あるいはバッテリーインジケータボタンが押された後に 5 秒間表示されます。エラーが発生すると、バッテリーに関する警告マークが点灯します。 *バッテリー 455 ページ* を参照してください。

(図 31)

LED ランプ	バッテリーの状態
すべての LED が点灯。	フル充電 ( 75 ~ 100% )
LED 1、LED 2、LED 3 が点灯	バッテリーは 50% ~ 75% 充電済み
LED 1、LED 2 が点灯	バッテリーは 25% ~ 50% 充電済み
LED 1 が点灯	バッテリーは 0% ~ 25% 充電済み。

LED ランプ	バッテリーの状態
LED 1 が点滅	バッテリーは空です。バッテリーを充電してください。

## バッテリーの充電方法

初めて使用する前に、バッテリーを充電してください。お客様への出荷時、バッテリーは 30 % のみ充電されています。

**注記：** バッテリー充電器は、銘板で指定された電圧と周波数の電源に接続する必要があります。

バッテリーの温度が 50°C を超えている場合は、バッテリーが充電されません。バッテリー充電器は、バッテリーの温度が下がってから充電を開始します。

1. バッテリー充電器用電源コードの片端をバッテリー充電器のソケットに接続します。
2. バッテリー充電器用電源コードのもう一方の端を、アースされている主電源ソケットに接続します。バッテリー充電器の LED が一度緑色で点滅します。(図 32)
3. バッテリーをバッテリー充電器に取り付けます。バッテリーがバッテリー充電器に正しく接続されると、バッテリー充電器の緑色のランプが点灯します。(図 33)
4. バッテリーの LED がすべて点灯したら、バッテリーはフル充電されています。バッテリーを最大 24 時間充電します。
5. 主電源ソケットからバッテリー充電器を取り外す際は、電源コードではなくプラグを引いてください。
6. バッテリー充電器からバッテリーを外します。

## バッテリーの充電ステータス

Husqvarna リチウムイオンバッテリーは、充電レベルに関係なく充電や使用が可能です。バッテリーは破損しません。フル充電されたバッテリーを充電器に入れたままにしてもバッテリーの電力が低減することはありません。

LED 表示	充電の状態
LED 1 が点滅	0% ~ 25%
LED 1 が点灯、LED 2 が点滅	25% ~ 50%
LED 1、LED 2 が点灯、LED 3 が点滅	50% ~ 75%
LED 1、LED 2、LED 3 が点灯、LED 4 が点滅	75% ~ 100%
LED 1、LED 2、LED 3、LED 4 が点灯。	フル充電済み

## 本製品を操作する前の作業

1. 夏季または土壌が乾燥している場合は、作業前日に地面に水をまきます。
2. 本製品が人や動物から 20 m 以上離れていることを確認してください。
3. ケーブルをケーブルワインダーに配置します。参照：ケーブルの取り付け 449 ページ。
4. ケーブル敷設深度を調整します。参照：ケーブル敷設深度の調整 451 ページ。
5. ケーブル端部をベグに取り付けます。

## 本製品の始動方法

1. ハンドルバーを横に傾けます。参照：ハンドルバーの傾き 452 ページ。
2. バッテリーカバーを開けます。
3. バッテリーの蓋の下にあるバッテリースロット 1 に、充電したバッテリーを入れます。動作時間を長くするには、充電した 2 つ目のバッテリーをバッテリースロット 2 に入れます。
4. 安全キーホルダーから安全キーを取り外します。
5. 安全キーを安全ロックに入れます。(図 34)
6. 製品の後ろに立ってください。
7. コントロールパネルのスタンバイボタン (A) を押しします。スタンバイライト (B) が点灯します。(図 35)
8. START/STOP ボタン (C) が押下状態になるまで押しします。モーターが始動します。



**注意：** 警告灯 (D) が赤色で点滅する場合は、本製品を操作しないでください。

9. ドリルオペレーションペイルをハンドルバーの方向に押し、ドリルを締結させます。(図 36)

## ドライブホイールの使用方法

- ドライブコントロールペイル (A) をハンドルバーの方向に引き、ドライブホイールを締結させます。(図 37)
- ドライブコントロールペイルを解放して、ドライブホイールを解除します。

## ケーブル敷設深度の調整

1. ノブ (A) を緩めます。(図 38)
2. サポートホイール (B) を必要なケーブル敷設深度に調整し、ノブを締めつけます。

**注記：** サポートホイールチューブの側面にある数字 (C) は、ケーブル敷設深度 (cm) を示しています。ケーブル敷設深度は 1~6 cm に調整できます。

## ハンドルバー高さの調整

ハンドルバーの高さは 5 段階で調節できます。

1. ハンドル (A) を反時計方向に回して緩め、ノブ (B) を取り外します。(図 39)

2. ハンドルバーの高さを調整し、最も近い位置の穴にノブを取り付けます。
3. ハンドルを時計方向に回して締めつけます。

## ハンドルバーの傾き

ハンドルバーを傾けて、本製品の操作時に障害物が作業者に当たらないようにすることができます。ハンドルバーは、右側に4段階、左側に4段階、傾けることができます。

1. ハンドルバーチルトベイル(A)をハンドルバーの方向に完全に引いて、保持します。ハンドルバーチルトベイルはハンドルバーの左下にあります。(図40)
2. ハンドルバーを左右の4つの位置のうちの1つに傾けて、ハンドルバーチルトベイルを放します。ハンドルバーの位置をロックするピンが、スロットの1にあることを確認します。(図41)

## フィードフィンのスイベル機能のロック

長い直線区画にケーブルを敷設する際に方向精度を高めるには、フィードフィンのスイベル機能をロックします。

- フィードフィンが本製品と同じ方向にあることを確認し、ハンドル(A)を締めつけます。(図42)

## ケーブルガイドの調整

本製品は4mmケーブル用に調整済みです。ケーブルの直径が大きい場合は、ケーブルガイドを調整する必要があります。

1. 2本のネジを緩めます。(図43)
2. ケーブルガイドを数ミリメートル上に移動します。
3. 2本のネジを締めつけます。

## トラック幅の調整

ホイール位置は、さまざまなトラック幅に合わせて調整できます。左右のアスクルには、それぞれ4つの調整穴があります。トラック幅は、ドリルの中心から250、270、290、310mmの位置で調整できます。(図44)

1. ピン(A)を引き出します。
2. ホイールを必要なトラック幅に調整します。
3. ピンをアスクルの4つの穴(B)のいずれか1つに挿入します。
4. 安全スプリングをロックします。

## 作業の開始方法

ケーブルとドリルを取り付けた後、作業者はケーブルを地面に固定する必要があります。

1. 地面にベグを打ち込みます。
2. ケーブルガイドの下から出ているケーブルの一部をベグで固定します。

## 2本のケーブルガイドの使用法

本製品が作業エリアの外周から離れる場合は、2本のケーブルを同時に敷設する必要があります。

1. 外周全体に沿って1本のケーブルを敷設します。図(A)と(B)を参照してください。(図45)(図46)
2. 図(C)の位置にいる場合は、サポートホイールを最高位置にして、フィードフィンを地面から離します。ケーブルをベグで固定し、次の位置まで地面にケーブルを敷設します。(図47)
3. 図(D)の位置に、ケーブルをベグで固定します。(図48)
4. フィードフィンを適切なケーブル敷設深度にし、ケーブルを敷設してアイランドを形成します。図(E)を参照してください。(図49)
5. 図(F)の位置に到達したら、ベグを取り外してフィードフィンを清掃します。参照：フィードフィンの清掃453ページ。(図50)
6. 地面の上でケーブルをケーブルガイドに取り付けます。(図51)
7. 図(G)の位置まで、2本のケーブルを同時に敷設します。2本のケーブルをベグで固定し、2本目のケーブルをケーブルガイドから外します。(図52)
8. 図(H)の位置まで、境界ケーブルの敷設を続けます。(図53)

## 本製品の停止方法

3分間操作しないと、本製品は自動的に停止します。

1. ドライブベイル(A)を解放して、ドライブホイールを解除します。(図37)
2. ドリルオペレーションベイルを解放して、ドリルを停止します。(図17)
3. コントロールパネルのSTART/STOPボタンを押します。
4. コントロールパネルのスタンバイボタンを押します。
5. バッテリーカバーを開けます。
6. 安全キーを安全ロックから取り外し、安全キーホルダーに入れます。
7. スクレイパーを使用して、フィードフィンを清掃します。参照：フィードフィンの清掃453ページ。
8. 作業後は毎回、ドリルヘッドを清掃し、潤滑してください。参照：ドリルヘッドの清掃と潤滑454ページ。

# メンテナンス

## はじめに

詳しくは、www.husqvarna.com を参照してください。



**警告：** メンテナンスを行う前に、安全に関する章をお読みになり、内容を理解してください。

本製品のすべての整備と修理作業には、特別な訓練が必要です。当社では責任をもって専門的な修理と整備作業を提供します。

## メンテナンスのスケジュール

メンテナンス間隔は、本製品が毎日使用されることを前提に算出されています。本製品を毎日使用しない場合は、メンテナンス間隔が変わります。

\* 印の付いたメンテナンスの詳細：本製品の安全装置 448 ページ。

	使用ごと	毎月	季節ごと
一般的な点検を実施します。	X		
本製品の安全装置に不具合がないことを確認します*。	X		
ドリルとフィードフィンを点検します。	X		
ドリルオペレーションペイルを点検します*。	X		
START/STOP ボタンが正しく機能し、不具合がないことを確認します。	X		
バッテリーに損傷がないか点検します。	X		
バッテリー充電器を点検します。	X		
バッテリーの解除ボタンが正常に作動し、本製品にバッテリーをロックできるか確認します。	X		
モーターのエアインテークを清掃します。エアインテークに草や土が付着していないことを確認します。	X		
無塗装部品を潤滑します。	X		
亜鉛メッキが摩耗している部品を潤滑します。	X		
ドリルヘッドを清掃し、潤滑します。	X		
フィードフィンを清掃します。	X		
バッテリー充電器に損傷がないか点検し、正しく作動することを確認します。		X	
バッテリーと本製品の接続部を点検します。バッテリーとバッテリー充電器の接続部も点検します。			X

## フィードフィンの清掃

- スクレイパーを使用して土を取り除き、フィードフィンを清掃します。(図 54)

## フィードフィンの交換

- 本製品を前方に傾け、慎重に地面に置きます。
- 2本のネジ(A)とフィードフィン(B)を取り外します。(図 55)
- 新品のフィードフィンを逆の手順で取り付けます。

## ドリルの交換

- 本製品から草や土を取り除きます。



**注意：** 取り付け作業中は、土などの異物がドリル内に入らないようにしてください。

**注記：** 作業後に、毎回ドリルのハウジングを清掃し、潤滑してください。

- シャフト(C)の短ネジ(A)とドリルヘッド(B)を取り外します。(図 56)

**注記：** ドリルを交換するには、6 mm の六角レンチが必要です。

- ドリルヘッドの長ネジ (D) とドリル (E) を取り外します。
- ドリルヘッドに新品のドリルを挿入し、長ネジを取り付けます。
- シャフトにドリルヘッドを取り付けます。
- ネジを締め込みます。

- 必要に応じて、汚れたグリースを適切な溶剤で除去します。
- 適切な溶剤を使用してすべての部品を清掃し、潤滑します。
- シャフトに撥水性グリースを塗布します。(図 59)

## バッテリーとバッテリー充電器の清掃方法



**警告：** バッテリーまたはバッテリー充電器は、水で洗淨しないでください。



**警告：** バッテリーの清掃には化学物質を使用しないでください。

- バッテリーをバッテリー充電器にセットする前に、バッテリーとバッテリー充電器に汚れがなく、乾燥していることを確認してください。
- 圧縮空気を使用してバッテリー端子を清掃するか、柔らかい乾いた布で拭いてください。
- バッテリーとバッテリー充電器の表面を柔らかい乾いた布で拭いてください。

作業後は、毎回ドリルヘッドを完全に清掃します。

- 本製品を前方に傾け、慎重に地面に置きます。
- 柔らかいブラシで、草、土などの異物を取り除きます。
- 圧縮空気を使用して、草や土の微粒子を取り除きます。
- ドリルヘッド (B) のネジ (A) を取り外し、ドリル (C) を取り外します。(図 56)
- 2本のネジ (D) を緩め、フィードフィン (E) を取り外します。(図 57)
- ネジ (F) を取り外し、ドリルヘッド (G) をシャフト (H) から取り外します。(図 58)
- 圧縮空気を使用して、本製品を清掃します。土、草などの異物がすべて取り除かれていることを確認します。

## トラブルシューティング

### トラブルシューティング

本取扱説明書内で問題の解決法が見つからない場合は、最寄りの Husqvarna サービス代理店にお問い合わせください。

問題	原因
エンジンが作動しない。	バッテリーが充電されていません。
	バッテリーが正しく取り付けられていません。
	バッテリーに不具合があります。
	コントロールユニットに不具合があります。
ドリルが回転しない。	ベルトが摩耗しています。
	ベルトがプーリーから外れています。
	レバーがベルトに十分な張力をかけていません。
ドリルオペレーションペイルを解放してもドリルが回転し続ける。	ドリルオペレーションペイルのワイヤーが摩耗または損傷しています。
製品が正常に動作しない。	ドリルが摩耗または損傷しています。
	ドリルが正しく取り付けられていません。

問題	原因
ドライブベイルが締結されても本製品が動かない。	ドライブベイルのワイヤーが摩耗または損傷しています。
	トランスミッションベルトが摩耗しています。
	チェンが破損しているか、十分な張力がありません。
	トランスミッションハウジングのクラッチディスクが摩耗しています。
ドリルヘッドを取り外せない。	ユニット内に異物があります。
	システム内に酸化物が形成されています。
地面に差し込まれたケーブルの絶縁が損傷しています。	フィードフィンのケーブル取り出し穴が損傷しています。
	フィードフィンの一部である、ケーブルを含むチューブが汚れています。

## バッテリー

バッテリーのLED	原因	解決策
緑色のLEDが点滅する。	バッテリーの電圧が低下しています。	バッテリーを充電してください。バッテリーの充電方法 451 ページを参照してください。
エラーLEDが点滅する。	バッテリーが残りわずかです。	バッテリーを充電してください。バッテリー 455 ページを参照してください。
	作業環境の温度が高すぎる、または低すぎる。	バッテリーは -10°C ~ 40°C の温度で使用してください。
	過電圧。	電源の電圧が、本製品の銘板に記載された電圧と同じかどうか確認してください。  バッテリー充電器からバッテリーを外します。5秒待ってから、もう一度バッテリーを充電してください。問題が解決しない場合は、販売店にご相談ください。
エラーLEDが点灯する。	電位差が大きすぎます (1V)。	販売店にご相談ください。

## バッテリー充電器

バッテリー充電器のLED	原因	解決策
エラーLEDが点滅する。	作業環境の温度が高すぎる、または低すぎる。	5°C ~ 40°C の温度でバッテリー充電器を使用してください。
エラーLEDが点灯する。		販売店にご相談ください。

## コントロールパネル

エラーコード(点滅回数)	想定される障害	可能な手順
5	モーター速度の低下により、モーターが停止しました。	ドリルヘッドを清掃し、ケーブル敷設深度を浅くします。参照：ドリルヘッドの清掃と潤滑 454 ページおよび ケーブル敷設深度の調整 451 ページ。エラーが解決しない場合は、認定サービス代理店に相談してください。
8	バッテリーの充電が不足しています。	バッテリーを充電してください。参照：バッテリーの充電方法 451 ページ。
9	バッテリーのエラー、またはバッテリーからの信号がありません。	バッテリーを製品に正しく取り付け、バッテリーのコネクターを点検してください。バッテリーのエラー LED が点滅する場合は、バッテリー 455 ページを参照してください。
10	モーターコントロールが高温です。	モーターを停止し、温度が下がるまで待ちます。
その他のエラー	その他のエラーが発生した場合は、安全キーとバッテリーを取り外して、認定サービス代理店にお問い合わせください。	

## 搬送、保管、廃棄

### はじめに



**警告：** 搬送中に誤って始動しないようにするために、安全キーを引き上げ、バッテリーを取り外してから 5 秒間以上待ちます。

### 搬送

- 付属のリチウムイオン電池には、危険物の規制に関する規則が適用されます。
- 商用搬送においては、梱包およびラベル付けに関する特別な要件を遵守する必要があります。
- 本製品の搬送準備をする際は、危険物に関する規制を遵守していることを確認してください。地域の規制が適用されることがあります。
- 搬送時は常にバッテリーを外してください。
- バッテリーのコネクターにテープを貼り、搬送中にバッテリーが動かないようにしてください。
- 搬送中、本製品を固定してください。

### 保管

- 保管する前に本製品を冷ましてください。
- 保管時は常にバッテリーを外してください。
- 事故防止のため、保管時はバッテリーが本製品に接続されていないことを確認してください。
- バッテリー充電器は、密閉された乾燥した場所に保管してください。
- 湿気や霜が発生しない乾燥した場所に、バッテリーとバッテリー充電器を保管してください。

- 保管時は、バッテリーをバッテリー充電器から取り外してください。
- 静電気が発生するような場所にはバッテリーを保管しないでください。バッテリーは金属製の箱に保管しないでください。
- 本製品は、周囲温度が  $-10^{\circ}\text{C}$  ~  $40^{\circ}\text{C}$  の場所に保管してください。
- バッテリーは、 $5^{\circ}\text{C}$  ~  $25^{\circ}\text{C}$  の温度環境で直射日光に当たらない場所に保管してください。
- バッテリー充電器は、 $5^{\circ}\text{C}$  ~  $45^{\circ}\text{C}$  の温度環境で直射日光に当たらない場所に保管してください。
- バッテリーを長期間保管する前に、バッテリー充電量を 30% ~ 50% にしてください。
- 製品、バッテリー、バッテリー充電器は、鍵のかかる場所に保管し、子供や許可されていない人の手が届かないようにしてください。
- 製品を清掃します。
- 取扱説明書に記載されているメンテナンスを実施してください。参照：メンテナンスのスケジュール 453 ページ。
- 本製品を長期間保管する前に、完全なメンテナンスを実行してください。

### 廃棄

本製品や本製品パッケージ上のマークは、本製品が家庭ゴミとして取り扱われてはならないことを示します。電気・電子機器の再利用を行うため、適切にリサイクル業者に引き渡す必要があります。

以上を遵守することで、本製品は正しく処理され、本製品を不適切に廃棄した場合に環境や人に与えられる悪影響



響を防止することができます。本製品のリサイクルについて  
 (図 60) 詳細は、あなたの所在する地区の地方自治体、廃棄物処理サービス、本製品を購入した代理店に連絡してください。

## 主要諸元

<b>ドリルモーター</b>	
モータータイプ	BLDC ( ブラシレス ) 36 V
モーター速度 - 公称, rpm	3000 / 分
モーター速度 - 高負荷, rpm	3300 / 分
モーター出力 - 最大, kW	1.8
モーター出力 - 公称, kW	1.2
トランスミッション	オイルバスギア付き機械式ギアボックス
クラッチ	ベルトタイプ、プーリー付き
<b>質量</b>	
バッテリーを除いた質量, kg	39
BLi300 x 2 を含む重量, kg	43
<b>バッテリー</b>	
バッテリーの種類	Husqvarna バッテリーシリーズ
<b>バッテリー稼働時間</b>	
バッテリー稼働時間, 分 <sup>105</sup>	38
<b>騒音排出 <sup>106</sup></b>	
測定音響パワーレベル, L <sub>WA</sub> dB ( A )	84
保証音響レベル ( L <sub>WA</sub> ) dB ( A )	86
<b>サウンドレベル <sup>107</sup></b>	
使用者の耳における音圧レベル ( dB ( A ) )	66
<b>振動レベル <sup>108</sup></b>	
ハンドル, m/s <sup>2</sup>	1.8
<b>ケーブル敷設装置</b>	
ケーブル敷設深度, cm	1 ~ 6
ドリルとホイールエッジ間の距離, mm	250、270、290、310
ドリル	597 04 84-01

<sup>105</sup> 無負荷、標準モードオン、Husqvarna 製 9.4 Ah バッテリー ( BLi300 ) 1 個で計測された場合。

<sup>106</sup> 環境における騒音の排出は、EC 指令 2000/14/EC に従って、音響パワー ( L<sub>WA</sub> ) として測定。

<sup>107</sup> 報告データによれば、騒音音圧レベルの一般的な統計上のばらつき ( 標準偏差 ) は、1.2 dB ( A ) です。

<sup>108</sup> 報告データによれば、等価振動レベルの一般的な統計上のばらつき ( 標準偏差 ) は、0.2 m/s<sup>2</sup> です。振動基準 EN 1032+A1:2009。

認可されたバッテリー	ブランド	タイプ	バッテリー容量 (Ah)	電圧、V	質量、ポンド / kg
BLi300	Husqvarna	リチウムイオン	9.4	36	4.1/1.9

指定バッテリーに適合する認定充電器、BLi	ブランド	入力電圧、V	周波数、Hz	電力、W
QC500	Husqvarna	100 ~ 240	50 ~ 60	500

# 適合宣言

## EU 適合宣言

ハスクバーナ社 ( Husqvarna AB, SE-561 82 Huskvarna, Sweden、電話番号 : +46-36-146500 ) は、単独責任のもとで、以下の製品の適合を宣言します。

名称	ケーブルレイヤー
ブランド	Husqvarna
タイプ / モデル	CL400i
ID	2022 年以降の製造番号

が以下の EU 指令および規制を完全に順守し、

規制	名称
2006/42/EC	「機械類に関する」
2014/30/EU	「電磁環境適合性に関する」
2011/65/EU	「電気・電子製品に含まれる特定有害物質の使用制限に関する」

および以下の規格または技術仕様が適用されています。  
EN ISO 12100:2010, EN ISO 14119:2013, EN ISO 14120:2015, EN ISO 13857:2019, EN 62841-1:2015+AC:2015, EN ISO 11202:2010, EN 1032:2009, EN 55014-1:2017, EN 55014-2:2015, EN 63000:2018。

騒音排出に関する詳細 : [主要諸元 457 ページ](#)。

Husqvarna, 2022-03-21



開発マネージャー / ガーデン製品担当 Claes Losdal,  
Husqvarna AB

正式代表兼技術文書担当





FR

Cet appareil,  
ses cordons,  
et batterie  
se recyclent

À DÉPOSER  
EN MAGASIN

OU

À DÉPOSER  
EN DÉCHÈTERIE

Points de collecte sur [www.quefairedemesdechets.fr](http://www.quefairedemesdechets.fr)  
Privilégiez la réparation ou le don de votre appareil !

# Husqvarna®

[www.husqvarna.com](http://www.husqvarna.com)

Original instructions  
Оригинални инструкции  
Původní pokyny  
Originale instruktioner  
Originalanweisungen  
Αρχικές οδηγίες  
Instrucciones originales  
Originaaljuhend  
Alkuperäiset ohjeet

Instructions d'origine  
Originalne upute  
Eredeti útmutatás  
Istruzioni originali  
Originalios instrukcijos

Lietošanas pamācība  
Originale instructies  
Originale instruksjoner  
Oryginalne instrukcje  
Instruções originais  
Instrucțiuni inițiale  
Оригинальные инструкции  
Põvodné pokyny  
Izvirna navodila  
Bruksanvisning i original  
Orjinal talimatlar  
Оригінальні інструкції  
取扱説明書原本



FR



1143011-38



2024-02-07