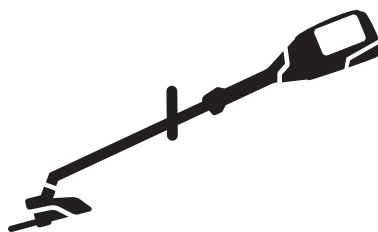




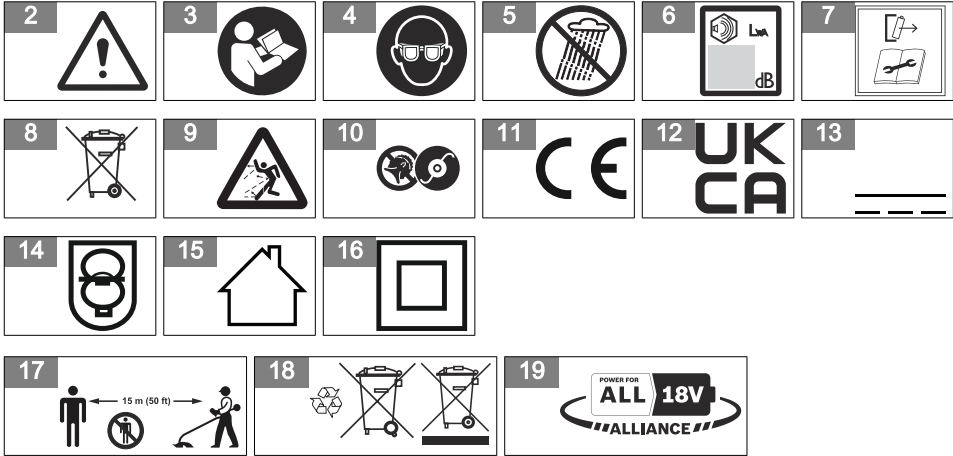
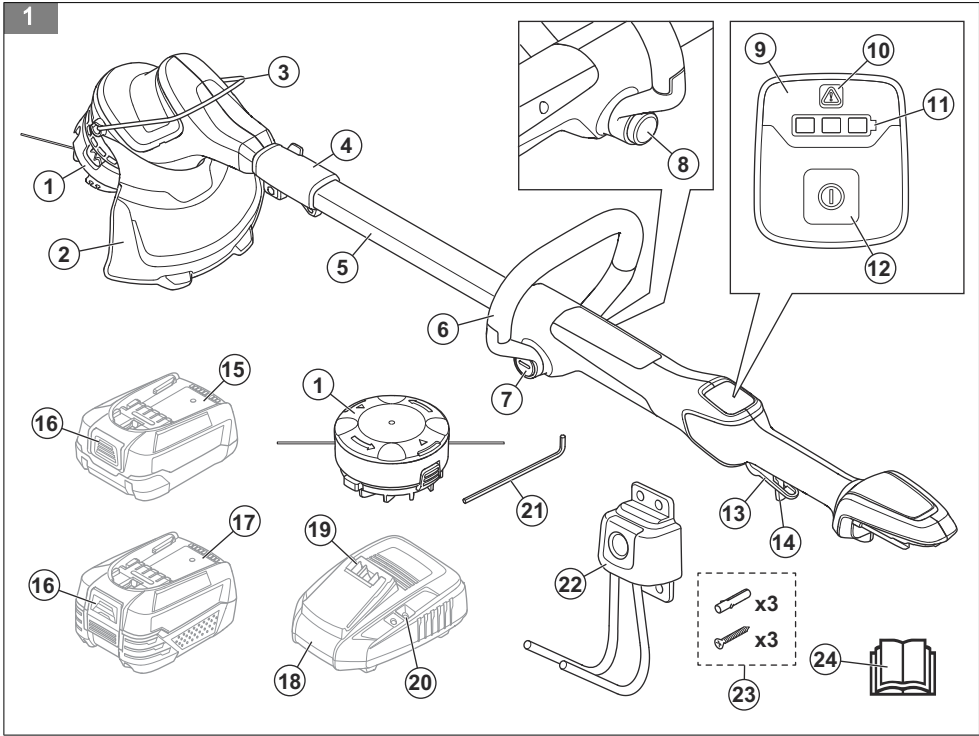
Husqvarna®



Aspire T28-P4A



EN	Operator's manual	7-26
BG	Ръководство за експлоатация	27-49
CS	Návod k použití	49-69
DA	Brugsanvisning	69-88
DE	Bedienungsanweisung	88-110
EL	Οδηγίες χρήσης	110-132
ES	Manual de usuario	132-153
ET	Kasutusjuhend	153-171
FI	Käyttöohje	171-190
FR	Manuel d'utilisation	190-210
HR	Priručnik za korištenje	210-228
HU	Használati utasítás	228-249
IT	Manuale dell'operatore	249-269
LT	Operatoriaus vadovas	269-289
LV	Lietošanas pamācība	289-309
NL	Gebruiksaanwijzing	309-329
NO	Bruksanvisning	329-347
PL	Instrukcja obsługi	347-368
PT	Manual do utilizador	368-388
RO	Instrucțiuni de utilizare	388-408
SK	Návod na obsluhu	408-428
SV	Bruksanvisning	428-447
TR	Kullanım kılavuzu	447-466
UK	Посібник користувача	466-488
JA	取扱説明書	488-506



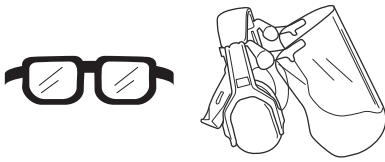
20



21



22



23



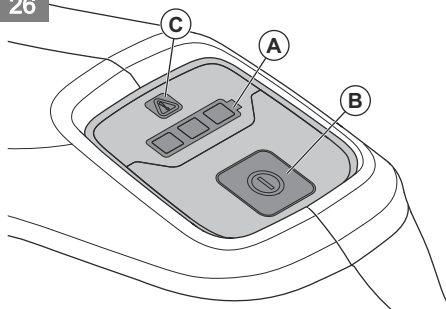
24



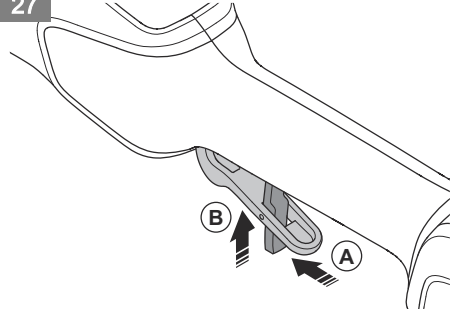
25

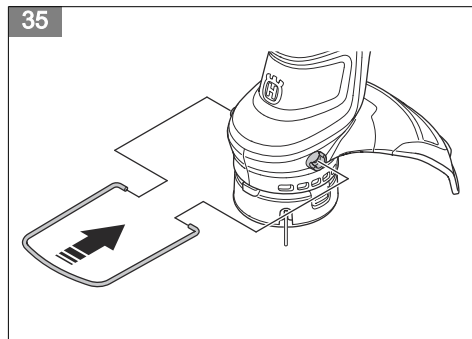
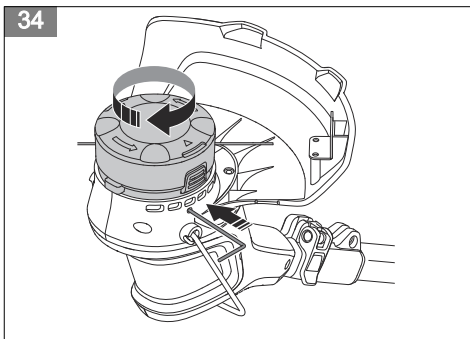
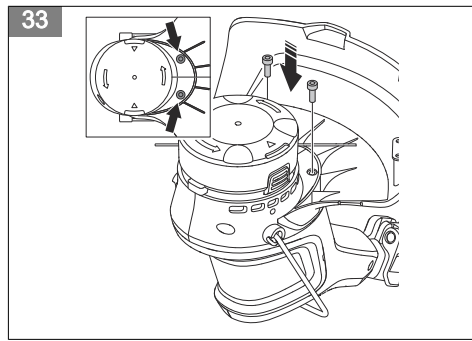
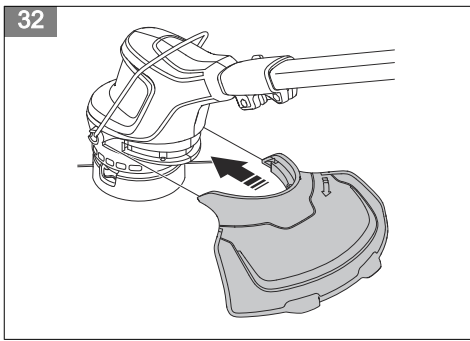
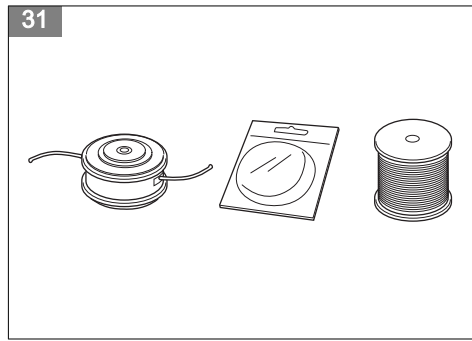
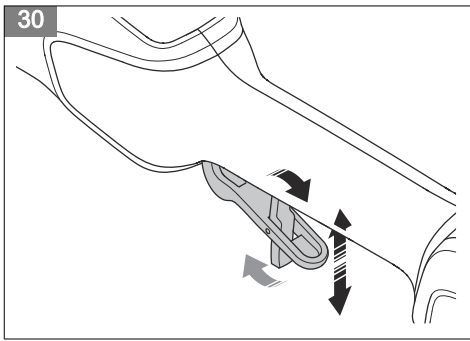
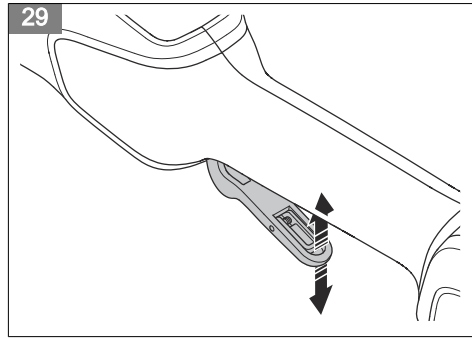
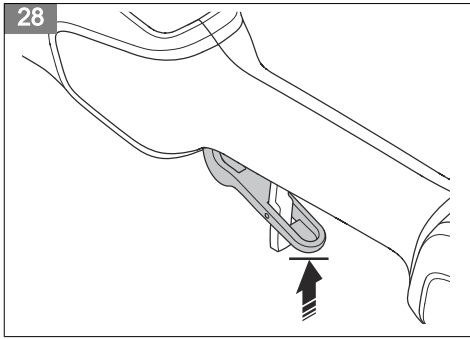


26

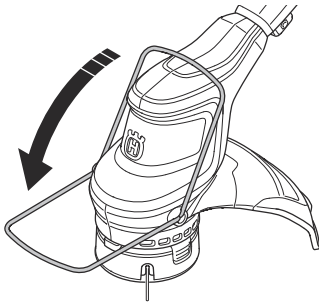


27

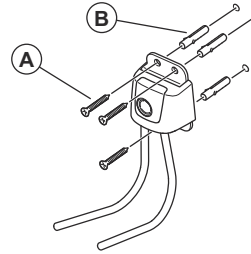




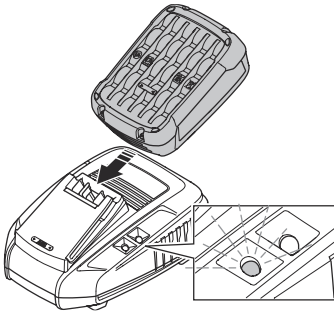
36



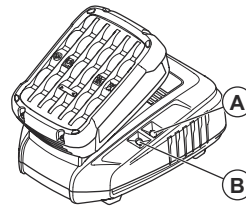
37



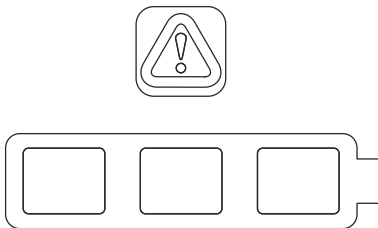
38



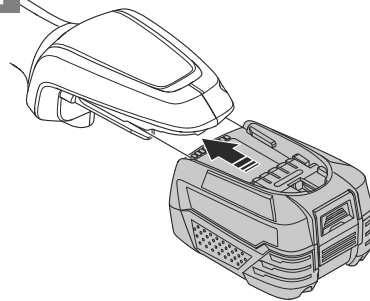
39



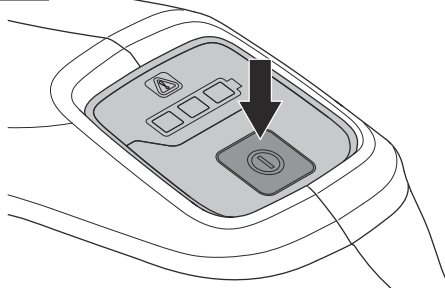
40



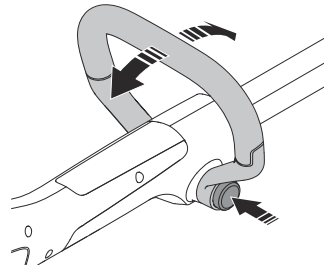
41



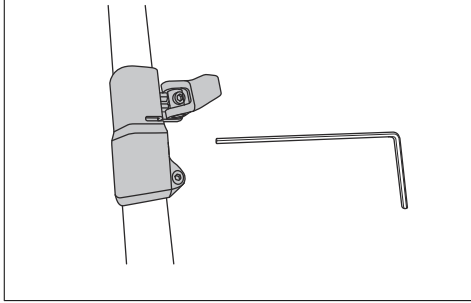
42



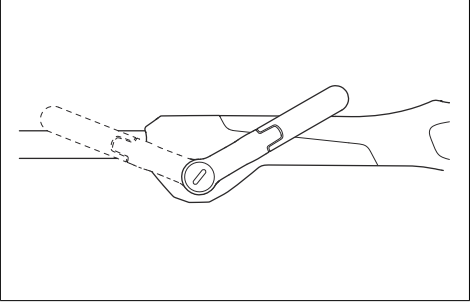
43



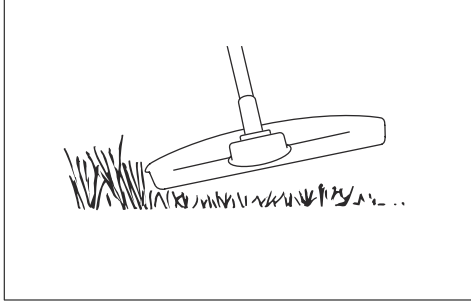
44



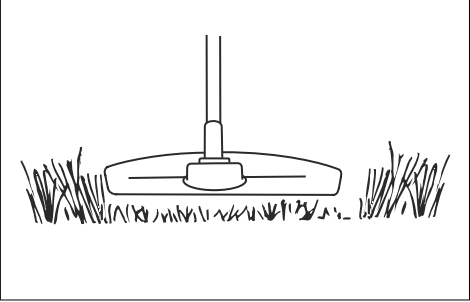
45



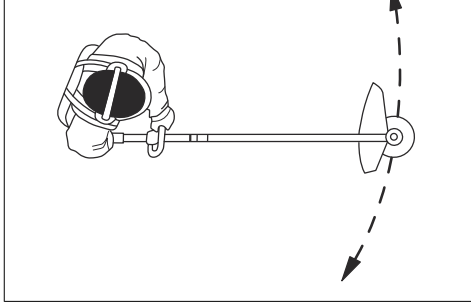
46



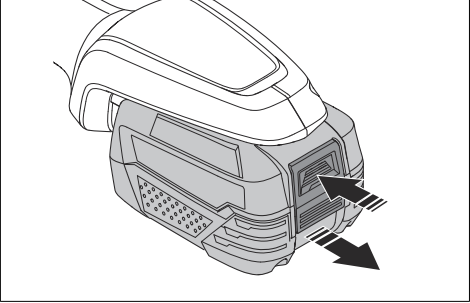
47



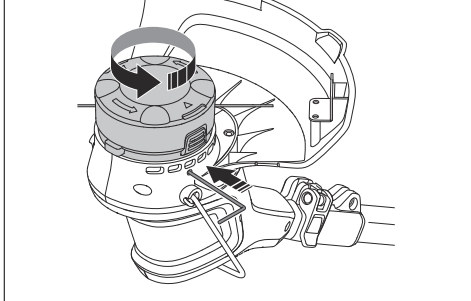
48



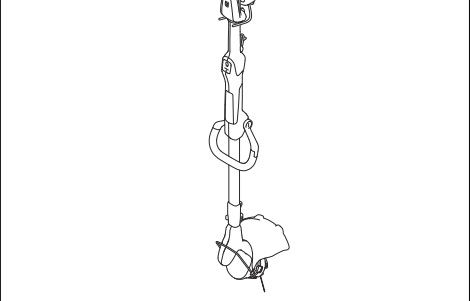
49



50



51



Contents

Introduction.....	7	Transportation, storage and disposal.....	20
Safety.....	9	Technical data.....	21
Assembly.....	15	Accessories.....	22
Operation.....	16	Declaration of Conformity.....	23
Maintenance.....	18	Licenses.....	25
Troubleshooting.....	19	Appendix	507

Introduction

Product description

Husqvarna Aspire T28-P4A is a battery grass trimmer with an electrical motor.

Work is constantly in progress to increase your safety and efficiency during operation. Speak to your servicing dealer for more information.

Intended use

The product is used with a trimmer head to cut grass. Do not use the product for other tasks than grass trimming and grass clearing.

Product overview

(Fig. 1)

1. Trimmer head
2. Cutting attachment guard
3. Plant guard
4. Shaft adjustment (telescope)
5. Shaft
6. Loop handle
7. Maintenance cover
8. Loop handle adjustment button
9. User interface
10. Warning indicator
11. State of charge indicator
12. On/off button
13. Power trigger
14. Power trigger lockout
15. Battery (P4A 18-B45)
16. Battery release button
17. Battery (P4A 18-B72)
18. Battery Charger (P4A 18-C70)
19. Connector
20. Power on and warning indicator
21. Combination tool
22. Wall hook
23. Screws and wall plugs for wall hook
24. Operator's manual

Note: National regulations can set limit to the operation of the product.

Quick guide

Scan the QR code for advice on how to use the product. (Fig. 20)

Symbols on the product

- (Fig. 2) **WARNING:** This product can be dangerous and cause serious injury or death to the operator or others. Be careful and use the product correctly.
- (Fig. 3) Read the operator's manual carefully and make sure that you understand the instructions before use.
- (Fig. 4) Use eye protection.
- (Fig. 5) Do not expose to rain.
- (Fig. 6) Noise emissions to the environment label as per EU and UK directives and regulations, and New South Wales legislation Protection of the Environment Operations (Noise Control) Regulation 2017. The guaranteed sound power level of the product is specified in *Technical data on page 21*.
- (Fig. 7) Disconnect battery before maintenance.
- (Fig. 8) The product or package of the product is not domestic waste. Recycle it at a recycling station for electrical and electronic equipment.

- (Fig. 9) Beware of thrown objects.
- (Fig. 10) Do not use metal blades.
- (Fig. 11) The product agrees with the applicable EU directives.
- (Fig. 12) The product conforms to the applicable UK regulations.
- (Fig. 13) Direct current.
- (Fig. 17) The distance between the machine and bystanders shall be at least 15 m (50 ft).

yyyywwxxxx The rating plate or the laser printing shows the serial number. **yyyy** is the production year and **ww** is the production week.

Symbols on the product

- (Fig. 2) **WARNING:** This product can be dangerous and cause serious injury or death to the operator or others. Be careful and use the product correctly.
- (Fig. 3) Read the operator's manual carefully and make sure that you understand the instructions before use.
- (Fig. 4) Use eye protection.
- (Fig. 5) Do not expose to rain.
- (Fig. 6) Noise emissions to the environment label as per EU (also including New South Wales Legislation) and UK directives and regulations. Noise emission data can be found on the machine label and in the Technical data chapter.
- (Fig. 7) Disconnect battery before maintenance.
- (Fig. 8) The product or package of the product is not domestic waste. Recycle it at a recycling station for electrical and electronic equipment.
- (Fig. 9) Beware of thrown objects.
- (Fig. 10) Do not use metal blades.

(Fig. 11) The product agrees with the applicable EU directives.

(Fig. 13) Direct current.

(Fig. 17) The distance between the machine and bystanders shall be at least 15 m (50 ft).

yyyywwxxxx The rating plate or the laser printing shows the serial number. **yyyy** is the production year and **ww** is the production week.

Symbols on the battery and/or on the battery charger

- (Fig. 18) Recycle this product at a recycling station for electrical and electronic equipment. (Applies to Europe only)
- (Fig. 19) Use the battery only in products from **POWER FOR ALL** System partners.

(Fig. 14) Fail-safe transformer.

(Fig. 15) Use and keep the battery charger indoors only.

(Fig. 16) Double insulation.

Product damage

We are not responsible for damages to our product if:

- the product is incorrectly repaired.
- the product is repaired with parts that are not from the manufacturer or not approved by the manufacturer.
- the product has an accessory that is not from the manufacturer or not approved by the manufacturer.
- the product is not repaired at an approved service center or by an approved authority.

Manufacturer

Husqvarna AB
SE-561 82, Huskvarna, Sweden

Safety

Safety definitions

Warnings, cautions and notes are used to point out specially important parts of the manual.



WARNING: Used if there is a risk of injury or death for the operator or bystanders if the instructions in the manual are not obeyed.



CAUTION: Used if there is a risk of damage to the product, other materials or the adjacent area if the instructions in the manual are not obeyed.

Note: Used to give more information that is necessary in a given situation.

General power tool safety warnings



WARNING: Read all safety warnings and all instructions. Failure to follow the warnings and instructions may result in electric shock, fire and/or serious injury.

Note: Save all warnings and instructions for future reference. The term "power tool" in the warnings refers to your mains-operated (corded) power tool or battery-operated (cordless) power tool.

Check before starting

- Always remove the battery to prevent the product being started by accident. Always remove the battery before any maintenance on the product.
- Before using the product and after any impact, check for signs of wear or damage and repair as necessary.
- Inspect the working area. Remove all loose objects, such as stones, broken glass, nails, steel wire, string etc. that could be thrown out or become wrapped around the cutter or cutter guard.
- Check the motor for dirt and cracks. Clean off grass and leaves from the motor using a brush. Gloves should be worn when necessary.
- Check that the trimmer head is completely attached to the trimmer.
- Check that the product is in perfect working order. Check that all nuts and screws are tight.
- Check that the trimmer head and trimmer guard are not damaged or cracked. Replace the trimmer head or trimmer guard if they have been exposed to impact or are cracked. Always use the

recommended guard for the cutting attachment you are using. See chapter on Technical data.

- The product operator must ensure that no people or animals come closer than 15 meters while working. When several operators are working in the same area the safety distance should be at least 15 meters.
- Carry out an overall inspection of the product before use. See the maintenance schedule.
- National or local regulations may regulate the use. Comply to given regulations.

Work area safety

- **Keep work area clean and well lit.** Cluttered or dark areas invite accidents.
- **Do not operate power tools in explosive atmospheres, such as in the presence of flammable liquids, gases or dust.** Power tools create sparks which may ignite the dust or fumes.
- **Keep children and bystanders away while operating a power tool.** Distractions can cause you to lose control.

Electrical safety

- **Power tool plugs must match the outlet. Never modify the plug in any way. Do not use any adapter plugs with earthed (grounded) power tools.** Unmodified plugs and matching outlets will reduce risk of electric shock.
- **Avoid body contact with earthed or grounded surfaces, such as pipes, radiators, ranges and refrigerators.** There is an increased risk of electric shock if your body is earthed or grounded.
- **Do not expose power tools to rain or wet conditions.** Water entering a power tool will increase the risk of electric shock.
- **Do not abuse the cord. Never use the cord for carrying, pulling or unplugging the power tool. Keep cord away from heat, oil, sharp edges or moving parts.** Damaged or entangled cords increase the risk of electric shock.
- **When operating a power tool outdoors, use an extension cord suitable for outdoor use.** Use of a cord suitable for outdoor use reduces the risk of electric shock.
- **If operating a power tool in a damp location is unavoidable, use a residual current device (RCD) protected supply.** Use of a RCD reduces the risk of electric shock.

Personal safety

- **Stay alert, watch what you are doing and use common sense when operating a power tool. Do not use a power tool while you are tired or under the influence of drugs, alcohol or medication.** A moment

of inattention while operating power tools may result in serious personal injury.

- **Use personal protective equipment. Always wear eye protection.** Protective equipment such as dust mask, non-skid safety shoes, hard hat or hearing protection used for appropriate conditions will reduce personal injuries.
- **Prevent unintentional starting. Ensure the switch is in the OFF-position before connecting to a power source and/or battery pack, picking up or carrying the tool.** Carrying power tools with your finger on the switch or energising power tools that have the switch on invites accidents.
- **Remove any adjusting key or wrench before turning the power tool on.** A wrench or a key left attached to a rotating part of the power tool may result in personal injury.
- **Do not overreach. Keep proper footing and balance at all times.** This enables better control of the power tool in unexpected situations.
- **Dress properly. Do not wear loose clothing or jewellery. Keep your hair and clothing away from moving parts.** Loose clothes, jewellery or long hair can be caught in moving parts.
- **If devices are provided for the connection of dust extraction and collection facilities, ensure these are connected and properly used.** Use of dust collection can reduce dust-related hazards.
- **Do not let familiarity gained from frequent use of tools allow you to become complacent and ignore tool safety principles.** A careless action can cause severe injury within a fraction of a second.
- The vibration emission during actual use of the power tool can differ from the declared total value depending on the ways in which the tool is used. Operators should identify safety measures to protect themselves that are based on an estimation of exposure in the actual conditions of use (taking account of all parts of the operating cycle such as the times when the tool is switched off and when it is running idle in addition to the trigger).

Power tool use and care

- **Do not force the power tool. Use the correct power tool for your application.** The correct power tool will do the job better and safer at the rate for which it was designed.
- **Do not use the power tool if the switch does not turn it on and off.** Any power tool that cannot be controlled with the switch is dangerous and must be repaired.
- **Disconnect the plug from the power source and/or remove the battery pack, if detachable, from the power tool before making any adjustments, changing accessories, or storing power tools.** Such preventive safety measures reduce the risk of starting the power tool accidentally.
- **Store idle power tools out of the reach of children and do not allow persons unfamiliar with the power tool or these instructions to operate the power tool.**

Power tools are dangerous in the hands of untrained users.

- **Maintain power tools and accessories. Check for misalignment or binding of moving parts, breakage of parts and any other condition that may affect the power tool's operation. If damaged, have the power tool repaired before use.** Many accidents are caused by poorly maintained power tools.
- **Keep cutting tools sharp and clean.** Properly maintained cutting tools with sharp cutting edges are less likely to bind and are easier to control.
- **Use the power tool, accessories and tool bits etc. in accordance with these instructions, taking into account the working conditions and the work to be performed.** Use of the power tool for operations different from those intended could result in a hazardous situation.
- **Keep handles and grasping surfaces dry, clean and free from oil and grease.** Slippery handles and grasping surfaces do not allow for safe handling and control of the tool in unexpected situations.

Battery tool use and care

- **Recharge only with the charger specified by the manufacturer.** A charger that is suitable for one type of battery pack may create a risk of fire when used with another battery pack.
- **Use products only with specifically designated battery packs.** Use of any other battery packs may create a risk of injury and fire.
- **When battery pack is not in use, keep it away from other metal objects, like paper clips, coins, keys, nails, screws or other small metal objects, that can make a connection from one terminal to another.** Shorting the battery terminals together may cause burns or a fire.
- **Under abusive conditions, liquid may be ejected from the battery; avoid contact. If contact accidentally occurs, flush with water. If liquid contacts eyes, additionally seek medical help.** Liquid ejected from the battery may cause irritations or burns.
- **Do not use a battery pack or tool that is damaged or modified.** Damaged or modified batteries may exhibit unpredictable behavior resulting in fire, explosion or risk of injury.
- **Do not expose a battery pack or tool to fire or excessive temperature.** Exposure to fire or temperature above 130 °C / 265 °F may cause explosion.
- **Follow all charging instructions and do not charge the battery pack or tool outside the temperature range specified in the instructions.** Charging improperly or at temperatures outside the specified range may damage the battery and increase the risk of fire.

Service

- **Have your power tool serviced by a qualified repair person using only identical replacement parts.** This

will ensure that the safety of the power tool is maintained.

- **Never service damaged battery packs.** Service of battery packs should only be performed by the manufacturer or authorized service providers.

Always use common sense

It is not possible to cover every conceivable situation you can face. Always exercise care and use your common sense. Avoid all situations which you consider to be beyond your capability. If you still feel uncertain about operating procedures after reading these instructions, you should consult an expert before continuing.



WARNING: Never allow children to use or be in the vicinity of the machine. Since the machine is easy to start, children may be able to start it if they are not kept under full surveillance. This can mean a risk of serious personal injury. Therefore disconnect the battery when the machine is not under close supervision.

General safety instructions



WARNING: Read the warning instructions that follow before you use the product.

- Remove the battery to prevent the product from being started by accident.
- This product is a dangerous tool if you are not careful or if you use the product incorrectly. This product can cause serious injury or death to the operator or others.
- Do not use the product if it is changed from its initial specification. Do not change a part of the product without approval from the manufacturer. Only use parts that are approved by the manufacturer. Injury or death is a possible result of incorrect maintenance.
- Do a check of the product before use. See, *Check before starting on page 9* and *Before you operate the product on page 16*. Do not use a product that is damaged or does not operate correctly. Do the safety checks, maintenance and service instructions described in this manual.
- Children should be supervised to ensure that they do not play with the product. Never allow children or other persons not trained in the use of the product and/or the battery to use or service it. Local laws may regulate the age of the user.
- Keep the product in a locked area to prevent access for children or persons that are not approved.
- Store the product out of reach of children.
- Under no circumstances may the design of the product be modified without the permission of the manufacturer. Always use original accessories. Non-

authorized modifications and/or accessories can result in serious personal injury or the death of the operator and others.

Note: National or Local laws can regulate the use. Comply to given regulations.

Safety instructions for operation



WARNING: Read the warning instructions that follow before you use the product.

- **Do not use the machine in bad weather conditions, especially when there is a risk of lightning.** This decreases the risk of being struck by lightning.
- **Thoroughly inspect the area for wildlife where the machine is to be used.** Wildlife may be injured by the machine during operation.
- **Thoroughly inspect the area where the machine is to be used and remove all stones, sticks, wires, bones, and other foreign objects.** Thrown objects can cause personal injury.
- **Before using the machine, always visually inspect to see that the cutter and the cutter assembly are not damaged.** Damaged parts increase the risk of injury.
- **Keep guards in place. Guards must be in working order and be properly mounted.** A guard that is loose, damaged, or is not functioning correctly may result in personal injury.
- **Keep all cooling air inlets clear of debris.** Blocked air inlets and debris may result in overheating or risk of fire.
- **Wear eye protection and ear protection.** Adequate protective equipment will reduce personal injury.
- **While operating the machine, always wear non-slip and protective footwear. Do not operate the machine when barefoot or wearing open sandals.** This reduces the chance of injury to the feet from contact with the moving cutter.
- **Always wear clothing such as trousers that covers the operator's legs while operating the machine.** Contact with the moving cutter or line may cause injury.
- **Keep bystanders away while operating the machine.** Thrown debris can result in serious personal injury.
- **Do not operate the machine above waist height.** This helps prevent unintended cutter contact and enables better control of the machine in unexpected situations.
- **Exercise caution when operating the machine in wet grass. Walk, never run.** This reduces the risk of slipping and falling which may result in personal injury.
- **Do not operate the machine on excessively steep slopes.** This reduces the risk of loss of control, slipping and falling which may result in personal injury.

- **When working on slopes, always be sure of your footing, always work across the face of slopes, never up or down and exercise extreme caution when changing direction.** This reduces the risk of loss of control, slipping and falling which may result in personal injury.
- **Keep all power cords and cables away from cutting area.** Power cords or cables may be hidden in hedges or bushes and can be accidentally cut or damaged by the line or cutter.
- **Keep all parts of the body away from the moving trimmer cutter or line. Do not clear material from the machine until it has been disconnected from the power source.** The moving trimmer cutter or line may result in serious personal injury.
- **Carry the machine with the machine switched off and away from your body.** Proper handling of the machine will reduce the likelihood of accidental contact with a moving trimmer cutter or line.
- **Only use replacement cutting heads and trimmer cutters or lines specified by the manufacturer. Do not replace the trimmer cutters or lines with metal wires or blades.** Incorrect replacement parts may cause loss of control, breakage and injury.

Personal protective equipment



WARNING: Read the warning instructions that follow before you use the product.

- Always use approved personal protective equipment when you use the product. Personal protective equipment cannot fully prevent injury but it decreases the degree of injury if an accident does occur. Let your dealer help you select the correct equipment.
- Use approved hearing protection.

(Fig. 21)

- Use approved eye protection. If you use a visor, you must also use approved protective goggles. Approved protective goggles must comply with the ANSI Z87.1 standard in the USA or EN 166 in EU countries.

(Fig. 22)

- Use gloves when it is necessary, for example when you attach, examine or clean the cutting equipment.

(Fig. 23)

- Use protective boots with steel toe-cap and non-slip soles.

(Fig. 24)

- Use clothing made of a strong fabric. Always use heavy, long pants and long sleeves. Do not use loose clothing that can catch on twigs and branches. Do not use jewelry, short pants or sandals. Do not go with bare feet. Put your hair up safely above shoulder level.
- Keep first aid equipment near.

(Fig. 25)

Safety devices on the product



WARNING: Read the warning instructions that follow before you use the product.

In this section the product's safety features, its purpose and how checks and maintenance should be carried out to ensure that it operates correctly. See instructions under the heading *Introduction on page 7* to find where these parts are located on your product.

The life span of the product can be reduced and the risk of accidents can increase if product maintenance is not carried out correctly and if service and/or repairs are not carried out professionally. If you need further information please contact your nearest servicing dealer.



WARNING: Never use a product with damaged safety components. The product's safety equipment must be inspected and maintained as described in this section. If your product fails any of these checks, contact your service agent to get it repaired.



CAUTION: All servicing and repair work on the machine requires special training. This is especially true of the machine's safety equipment. If your machine fails any of the checks described below you must contact your service agent. When you buy any of our products we guarantee the availability of professional repairs and service. If the retailer who sells your machine is not a servicing dealer, ask him for the address of your nearest service agent.

To do a check of the user interface

The green LEDs (A) show the battery status when the product is on but not in operation.

1. Press and hold the on/off button (B). (Fig. 26)
 - a) The product is on when the green LEDs (A) are on.
 - b) The product is off when the green LEDs (A) are off.
2. Refer to *Troubleshooting on page 19* if the warning indicator (C) comes on or flashes.

To do a check of the power trigger lockout

The power trigger lockout prevents accidental start. When you push the power trigger lockout (A), it releases the power trigger (B). When you release the handle, the power trigger and the power trigger lockout move back to their initial positions.

(Fig. 27)

1. Make sure that the power trigger is locked when the power trigger lockout is in its initial position.

(Fig. 28)

2. Push the power trigger and make sure that it moves back to its initial position when you release it.

(Fig. 29)

3. Make sure that the power trigger and the power trigger lockout moves freely and that the return spring works correctly.

(Fig. 30)

4. Start the product. Refer to *To start the product on page 17*.

5. Release the power trigger and make sure that the cutting attachment stops fully.

To do a check of the cutting attachment guard



WARNING: Do not use a cutting attachment without an approved and correctly attached cutting attachment guard. Always use the recommended cutting attachment guard for the cutting attachment that you use, see *Technical data on page 21*. If an incorrect or faulty cutting attachment guard is attached, it can cause serious personal injury.

The cutting attachment guard stops objects that eject in the direction of the operator. The cutting attachment guard also prevents injuries that can occur if you touch the cutting attachment.

1. Stop the motor.
2. Do a visual check for damages, for example cracks.
3. Replace the cutting attachment guard if it is damaged.

Cutting equipment

Select correct cutting equipment and do maintenance on the cutting equipment to:

- Get maximum cutting performance.
- Increase lifetime of the cutting equipment.



WARNING: Only use cutting attachments with the guards we recommend! See *Technical data on page 21*. Refer to the instructions for the cutting attachment to find the correct way to load the trimmer line and the correct trimmer line diameter.



WARNING: A defective cutting attachment may increase the risk of accidents.

Trimmer head



WARNING: Always make sure the trimmer line is wound tightly and evenly around the drum to prevent harmful vibration.

(Fig. 31)

- Only use recommended trimmer heads and trimmer lines.
- Only use recommended cutting attachments.
- Smaller machines requires small trimmer heads and vice versa.
- The length of the trimmer line is important. A longer trimmer line requires greater engine power than a shorter trimmer line of the same diameter.
- Make sure that the cutter on the trimmer guard is intact. This cuts the trimmer line to the correct length.
- Soak the trimmer line in water for a couple of days before use to increase the life length.

Battery safety



WARNING: Read all the safety and general instructions. Failure to observe the safety and general instructions may result in electric shock, fire and / or serious injury. **Keep all the safety information and general instructions for future reference.**

- **These safety instructions apply only to 18V Li-ion rechargeable batteries for the POWER FOR ALL system.**
- **Use the rechargeable battery only in products from POWER FOR ALL System partners.** 18 V rechargeable batteries labelled with POWER FOR ALL are fully compatible with the following products:
 - All products of the 18V POWER FOR ALL battery system.
 - All 18 V products from POWER FOR ALL System partners.
- **Observe the battery recommendations in the operating manual of your product.** Only this way can the rechargeable battery and the product be operated without danger and the rechargeable batteries protected from hazardous overloading.
- **Only charge the batteries using chargers recommended by the manufacturer or by POWER FOR ALL system partners.** A charger that is suitable for one type of battery may pose a fire risk when used with a different battery.

- **The battery is supplied partially charged.** To ensure full battery capacity, fully charge the battery in the charger before using your power tool for the first time.
- **Keep battery packs out of the reach of children.**
- **Do not open the battery.** There is a risk of shortcircuiting.
- **In case of damage and improper use of the battery, vapours may be emitted. The battery can set alight or explode.** Ensure the area is well ventilated and seek medical attention should you experience any adverse effects. The vapours may irritate the respiratory system.
- **If used incorrectly or if the battery is damaged, flammable liquid may be ejected from the battery. Contact with this liquid should be avoided. If contact accidentally occurs, rinse off with water. If the liquid comes into contact with your eyes, seek additional medical attention.** Liquid ejected from the battery may cause irritation or burns.
- **If the battery is damaged liquid can be ejected and cover nearby surfaces. Check affected parts.** Clean these parts or change them if necessary.
- **Do not short-circuit the battery pack. When the battery pack is not in use, keep it away from other metal objects, like paper clips, coins, keys, nails, screws or other small metal objects, that can make a connection from one terminal to another.** Shorting the battery terminals together may cause burns or a fire.
- **The battery can be damaged by pointed objects such as nails or screwdrivers or by force applied externally.** An internal short circuit may occur, causing the battery to burn, smoke, explode or overheat.
- **Never service damaged battery packs.** Service of battery packs should only be performed by the manufacturer or authorized service providers.
- **Protect the battery against heat, e. g. against continuous intense sunlight, fire, dirt, water and moisture.** There is a risk of explosion and short-circuiting.
- **Use the battery in the product only when the ambient temperature is between -5 °C — 40 °C.**
- **Only store the battery at an ambient temperature between -20 °C — 50 °C.** Do not leave the battery in your car in the summer, for example. At temperatures of < 0 °C some devices may experience a loss of power.
- **Only charge the battery at an ambient temperature which is between 0 °C — 35 °C.** Charging outside of this temperature range can increase the risk of damage to the battery and pose a fire hazard.

Store these instructions in a safe place.

Only use the charger if you can fully evaluate all functions and carry them out without restrictions, or if you have received corresponding instructions.

-
- **Supervise children during use, cleaning and maintenance.** This will ensure that children do not play with the charger.
 - **Charge only lithium-ion batteries of the POWER FOR ALL system 18V with a capacity of 1.5 Ah or more (5 battery cells or more). The battery voltage must match the battery charging voltage of the charger. Do not charge any nonrechargeable batteries.** Otherwise there is a risk of fire and explosion.
 - **Do not expose the charger to rain or wet conditions.** Water entering a power tool will increase the risk of electric shock.
 - **Keep the charger clean.** Dirt poses a risk of electric shock.
 - **Always check the charger, cable and plug before use. Stop using the charger if you discover any damage. Do not open the charger yourself, and have it repaired only by a qualified specialist using only original replacement parts.** Damaged chargers, cables and plugs increase the risk of electric shock.
 - **Do not operate the charger on an easily ignited surface (e. g. paper, textiles, etc.) or in a flammable environment.** There is a risk of fire due to the charger heating up during operation.
 - **Recharge only with the charger specified by the manufacturer.** A charger that is suitable for one type of battery pack may create a risk of fire when used with another battery pack.
 - **In case of damage and improper use of the battery, vapours may also be emitted.** Ensure the area is well ventilated and seek medical attention should you experience any adverse effects. The vapours may irritate the respiratory system.
 - **Under abusive conditions, liquid may be ejected from the battery. Contact with this liquid should be avoided. If contact accidentally occurs, rinse off with water. If the liquid comes into contact with your eyes, seek additional medical attention.** Liquid ejected from the battery may cause irritation or burns.
 - **Do not cover the ventilation slots of the charger.** Otherwise, the charger may overheat and no longer function properly.
 - **In order to avoid safety hazards, if the power supply cord needs to be replaced, this must be done by Husqvarna or by a customer service centre that is authorised to repair Husqvarna power tools.**
 - **Products sold in GB only:** Your product is fitted with an BS 1363/A approved electric plug with internal fuse (ASTA approved to BS 1362). If the plug is not suitable for your socket outlets, it should be cut off and an appropriate plug fitted in its place by an authorised customer service agent. The replacement plug should have the same fuse rating as the original

Battery charger safety



WARNING: Read all the safety and general instructions. Failure to observe the safety and general instructions may result in electric shock, fire and / or serious injury.

plug. The severed plug must be disposed of to avoid a possible shock hazard and should never be inserted into a mains socket elsewhere.



WARNING: Cardiac arrest! This product makes an electromagnetic field while it operates. This field may under some conditions interfere with active or passive medical implants. To decrease the risk of conditions that can possibly injure or kill, we recommend persons with medical implants to speak with their physician and the medical implant manufacturer before you operate the product.



WARNING: Risk of suffocation! Small parts can be easily swallowed. There is also a risk that the polybag can suffocate toddlers. Keep toddlers away when you assemble the product.

Safety instructions for maintenance



WARNING: Read the warning instructions that follow before you do maintenance on the product.

- Remove the battery before you do maintenance, other checks or assemble the product.
- The operator must only do the maintenance and servicing shown in this operator's manual. Turn to your servicing dealer for maintenance and servicing of a larger extension.
- Do not clean the battery or the battery charger with water. Strong detergent can cause damage to the plastic.
- If you do not do maintenance, it decreases the life cycle of the product and increases the risk of accidents.
- Special training is necessary for all servicing and repair work, especially for the safety devices on the product. If not all checks in this operator's manual are approved after you have done maintenance, turn to your servicing dealer. We guarantee that there are professional repairs and servicing available for your product.
- Only use original spare parts.

Assembly

Introduction



WARNING: Read and understand the safety chapter before you assemble the product.

To attach the trimmer guard

1. Put the trimmer guard against the motor housing. (Fig. 32)
2. Install the 2 bolts through the motor housing and the trimmer guard. (Fig. 33)
3. Tighten the bolts.

To assemble the trimmer head

1. Turn the output shaft until the hole in the drive disc aligns with the hole in the gear housing.
2. Install the combination tool in the hole to lock the shaft.
3. Turn the trimmer head clockwise. (Fig. 34)

To install the plant guard

1. Install the plant guard into the holes on the motor housing. (Fig. 35)

2. Make sure that the plant guard can move forward and rearward freely. (Fig. 36)

To install the hook on the wall

- Install the hook indoors.
- Keep the hook out of sunlight and in ambient temperature of -10°C to 70°C.
- Install the hook on a drywall, wood or concrete wall.



CAUTION: Make sure that the wall can hold loads of minimum 30 kg.

- Install the hook on the wall with the 3 screws (A). Use wall plugs (B) if it is necessary. (Fig. 37)



CAUTION: Make sure that the screws are applicable for your wall type.

- Speak to your Husqvarna service agent for information about available storage accessories for your product.

Operation

Introduction



WARNING: Read and understand the safety chapter before you use the product.

Before you operate the product

- Examine the work area to make sure that you know the type of terrain. Examine the slope of the ground and if there are obstacles such as stones, branches and ditches.
- Do a general inspection of the product.
- Do the safety inspections, maintenance and servicing that are given in this manual.
- Examine the motor for dirt or cracks. Use a brush to clean the motor from grass and leaves. Use gloves when it is necessary.
- Examine the trimmer head and cutting attachment guard for damages or cracks. Replace the trimmer head and cutting attachment guard if they are hit or if they have cracks.
- Make sure that all nuts and screws are tight.
- Make sure that all covers, guards, handles and the cutting equipment are correctly attached and not damaged before you start the product.

Battery



WARNING: Before you use the battery, you must read and understand the safety chapter. You must also read and understand the operator's manual for the battery and the battery charger.

Keep the battery and the battery charger in correct ambient temperatures.

	Ambient temperature
Operation of the battery in the product	-5 °C — 40 °C
Charging of the battery	0 °C — 35 °C

To charge the battery

Charge the battery before the first use.

Note: The battery does not charge if the battery temperature is more than +35 °C.

1. Connect the power cord for the battery charger in a grounded mains.



CAUTION: Make sure that the mains has the correct voltage and frequency.

2. Put the battery in the battery charger. The battery is connected to the battery charger when the green LED flashes. (Fig. 38)
3. The battery is fully charged when the green LED on the battery charger is on. Charge the battery for maximum 24 hours.
4. Disconnect the battery charger from the mains.



CAUTION: Do not pull the power cord.

5. Remove the battery from the battery charger.

Battery status LED on the battery charger

The red LED (A) and the green LED (B) on battery charger show the battery status. Refer to *Battery status LED on the product on page 16*.

(Fig. 39)

LED	Battery status
The green LED flashes quickly.	The battery is charging.
The green LED flashes slowly.	The battery is 80% charged.
The green LED is on.	The battery is fully charged.
The red LED is on.	Refer to <i>Battery status LED on the product on page 16</i> .
The red LED flashes quickly.	Refer to <i>Battery status LED on the product on page 16</i> .

Battery status LED on the product

When the battery is installed in the product, the LEDs on the product show the battery status.

(Fig. 40)

LED	Battery status
LED 1, 2 and 3 are lit.	Fully charged.
LED 1 and 2 are lit.	Sufficiently charged

LED	Battery status
LED 1 is lit.	The battery power is low.
LED 1 flashes.	The battery is empty. The battery status indicator flashes. Charge the battery. Refer to <i>To charge the battery on page 16.</i>

To connect the battery to the product



WARNING: Only use the battery with products of the POWER FOR ALL system 18V.

1. Make sure that the battery is fully charged.
2. Slide the battery into the battery holder of the product. The battery must slide into the holder easily, if not, it is not installed correctly.

(Fig. 41)

3. The battery locks into position when you hear a click.

To start the product

1. Push and hold the on/off button until the green LED comes on. (Fig. 42)
2. Push the power trigger lockout and the power trigger. The cutting equipment starts to rotate.

To adjust the loop handle and telescopic shaft

1. Press the loop handle adjustment button.

(Fig. 43)

2. Adjust the loop handle to a suitable angle.
3. Release the loop handle adjustment button.
4. Loosen the lever on the shaft. (Fig. 44)
5. Set the necessary length on the shaft.
6. Close the lever and tighten the screw.

Note: The two loop handle positions in the following illustration are only for transportation and/or storage.

(Fig. 45)

Automatic shutdown function

The product has an automatic shutdown function that stops the product if it is not used. The product shuts down after 3 minutes.

To operate the product

To trim the grass

1. Hold the trimmer head immediately above the ground at an angle. Do not push the trimmer line into the grass. (Fig. 46)
2. Decrease the length of the trimmer line by 8–10 cm/3.15–4 in.

To clear grass

1. Keep the trimmer head above the ground.
2. Tilt the trimmer head.
3. Cut with the end of the trimmer line around objects in the work area.



CAUTION: Cut grass. Other objects that are hit by the trimmer line, increases the wear on the trimmer line.

To cut the grass

1. Make sure that the trimmer line is parallel to the ground when you cut the grass. (Fig. 47)
2. Do not push the trimmer head to the ground. This can cause damage to the product.
3. Move the product from side to side when you cut grass. (Fig. 48)

To sweep the grass

The airflow from the rotating trimmer line can be used to remove cut grass from an area.

1. Hold the trimmer head and the trimmer line parallel to the ground and above the ground.
2. Move the trimmer head from side to side and sweep the grass.



WARNING: Clean the trimmer head cover each time you assemble new trimmer line to prevent unbalance and vibrations in the handles. Also do a check of the other parts of the trimmer head and clean it if necessary.

To stop the product

1. Release the power trigger and the power trigger lockout.
2. Push the on/off button until the green LED goes off.
3. Push the release button on the battery and remove the battery from the product. (Fig. 49)

To replace trimmer line

Refer to the last page of this operator's manual.

Maintenance

Introduction



WARNING: Read and understand the safety chapter before you do maintenance on the product.

The following is a list of the maintenance steps that you must do on the product. See *Maintenance on page 18* for more information.

Maintenance schedule



WARNING: Remove the battery before you do maintenance.

Maintenance	Daily	Weekly	Monthly
Clean the external parts of the product with a dry cloth. Do not use water.	X		
Examine that the start and stop button works correctly and is not damaged.	X		
Make sure that the power trigger and the power trigger lockout function correctly from a safety point of view.	X		
Make sure that all controls work and are not damaged.	X		
Keep the handles dry, clean and free from oil and grease.	X		
Make sure that the cutting attachment is not damaged. Replace the cutting attachment if it is damaged.	X		
Make sure that the cutting attachment guard is not damaged. Replace the cutting attachment guard if it is damaged.	X		
Make sure that the screws and nuts are tight.	X		
Make sure that the battery release buttons on the battery works and locks the battery in the product.	X		
Examine that the battery charger is not damaged and function correctly.	X		
Make sure that the battery is not damaged.	X		
Make sure that the battery is charged.	X		
Make sure that the battery charger is not damaged.	X		
Examine all cables, couplings and connections. Make sure they are not damaged and free from dirt.		X	
Do a check of the connections between the battery and the product. Do a check of the connection between the battery and the battery charger.			X

To examine the battery and the battery charger

1. Examine the battery for damages, for example cracks.
2. Examine the battery charger for damages, for example cracks.

3. Make sure that the connection cord of the battery charger is not damaged and that there are no cracks in it.

To clean the product, the battery and the battery charger

1. Clean the product with a dry cloth after use.

2. Clean the battery and battery charger with a dry cloth. Keep the battery guide tracks clean.
3. Make sure that the terminals on the battery and the battery charger are clean before the battery is put in the battery charger or the product.
3. Install the combination tool in the hole to lock the shaft.
4. Turn the trimmer head counterclockwise.

(Fig. 50)

To examine and replace the trimmer head

1. Do a check of the trimmer head for damages and cracks.
2. Turn the output shaft until the hole in the drive disc aligns with the hole in the gear housing.
5. Replace the trimmer head.
6. Assemble the trimmer head. Refer to *To assemble the trimmer head on page 15*.

Troubleshooting

User interface

Problem	Possible faults	Possible solution
Green start LED flashes.	Low battery voltage.	Charge the battery.
Red error LED flashes.	Overload.	The cutting attachment cannot move freely. Release the cutting attachment.
	Temperature deviation.	Let the product become cool.
	The power trigger and the start button are pushed at the same time.	Release the power trigger and push the start button.
Green LED and red LED flash alternately.	Battery is empty.	Charge the battery.
	Battery is damaged.	Speak to your service dealer.

Battery charger

LED on the battery charger	Cause	Solution
The green LED is on and the red LED flashes.	The battery is not correctly installed in the battery charger.	Remove the battery from the charger and install the battery in the battery charger again.
	The battery connectors are dirty.	Clean the battery connectors.
	The ambient temperature is too high or too low.	Use the battery charger in temperatures between 0 °C – +35 °C.
	The battery is defective.	Replace the battery.

LED on the battery charger	Cause	Solution
The green LED and the red LED are off.	The battery charger is not correctly connected to the mains outlet.	Connect the battery charger to a mains outlet.
	Faulty mains outlet.	Connect the battery charger to the voltage and frequency that is specified on the rating plate.
	The battery charger cable is defective.	Speak to an approved service agent.
	The battery charger is defective.	
Other errors.	If other errors occur, make sure that the product is off, remove the battery and speak to an approved service agent.	

Transportation, storage and disposal

Transportation and storage

- The supplied Li-ion batteries obey the Dangerous Goods Legislation requirements.
- Obey the special requirement on package and labels for commercial transportation, including by third parties and forwarding agents.
- Speak to a person with special training in dangerous material before you send the product. Obey all applicable national regulations.
- Use tape on open contacts when you put the battery in a package. Put the battery in the package tightly to prevent movement.
- Remove the battery for storage or transportation.
- Put the battery and the battery charger in a space that is dry and free from moisture and frost.
- Do not keep the battery in an area where static electricity can occur. Do not keep the battery in a metal box.
- Put the battery in storage where the temperature is between -20°C/-4°F and +50°C/122°F and away from open sunlight.
- Put the battery charger in storage where the temperature is between 5 °C/41 °F and 45°C/113°F and away from open sunlight.
- Put the product in storage where the temperature is between -40°C/-40°F and +60°C/140°F.
- Use the battery charger only when the surrounding temperature is between 0°C/32°F and 35°C/95°F.
- Charge the battery 30% to 50% before you put it in storage for long periods.

- Put the battery charger in storage in a space that is closed and dry.
- Keep the battery away from the battery charger during storage. Do not let children and other not approved persons to touch the equipment. Keep the equipment in a space that you can lock.
- Clean the product and do a full servicing before you put the product in storage for a long time.
- Use the transportation guard on the product to prevent injuries or damage on the product during transportation and storage.
- Attach the product safely during transportation.
- Keep the product in storage horizontally or hang the product on the supplied hook. Refer to *To install the hook on the wall on page 15*.

(Fig. 51)

Disposal of the battery, battery charger and product

The symbol below means that the product is not domestic waste. Recycle it at a recycling station for electrical and electronic equipment. This helps to prevent damage to the environment and to persons.

Speak to local authorities, domestic waste service or your dealer for more information.

(Fig. 18)

Note: The symbol shows on the product or package of the product.

Technical data

Technical data

	Aspire T28-P4A
Motor	
Motor type	PMDC
Speed of output shaft, rpm	6800
Cutting width, mm	280
Weight	
Weight without battery, kg	2.6
Weight with battery (P4A 18-B45 / P4A 18-B70), kg	3.0 / 3.3
Noise emissions ¹	
Sound power level, measured dB (A)	85
Sound power level, guaranteed L _{WA} dB (A)	88
Noise levels ²	
Equivalent sound pressure level at the operator's ear, measured according to EN ISO 50636-2-91, dB (A)	73
Vibration levels ³	
Vibration levels at handles, measured according to EN50636-2-91, m/s ²	2.26/1.61
Equipped with trimmer head (original), front / rear.	

Battery	P4A 18-B45	P4A 18-B72
Type	Lithium-ion	Lithium-ion
Battery capacity, Ah	Refer to battery rating decal	Refer to battery rating decal
Nominal voltage, V	18	18
Weight, kg	0.4	0.7

Battery charger	P4A 18-C70
Mains voltage, V	220-240

¹ Noise emissions in the environment measured as sound power (L_{WA}) in conformity with EC directive 2000/14/EC. The difference between guaranteed and measured sound power is that guaranteed sound power also includes dispersion in the measurement result and the variations between different products of the same model refer to Directive 2000/14/EC.

² Reported data for equivalent sound pressure level for the product has a typical statistical dispersion (standard deviation) of 3 dB (A).

³ Reported data for vibration level has a typical statistical dispersion (standard deviation) of 1.5 m/s².

Battery charger	P4A 18-C70
Frequency, Hz	50-60
Power, W	70
Output Voltage, V d.c./ Amps, A	14.4-18 / 3

Accessories

Approved accessories

Approved accessories	Type	Cutting attachment guard, Art. no.
Trimmer head	A15B M5 (Ø 1.6 mm cord)	536 47 32-01

Declaration of Conformity

EU Declaration of conformity

We, **Husqvarna AB**, SE-561 82 Huskvarna, Sweden, tel: +46-36-146500, declare on our sole responsibility that the product:

Description	Battery grass trimmer
Brand	Husqvarna
Type / Model	Aspire T28-P4A
Identification	Serial numbers dating from 2023 and onwards

complies fully with the following EU directives and regulations:

Directive/ Regulation	Description
2006/42/EC	"relating to machinery"
2014/30/EU	"relating to electromagnetic compability"
2000/14/EC	"relating to the noise emissions in the environment"
2011/65/EU	"on the restriction of the use of certain hazardous substances in electrical and electronic equipment "

and that the following standards and/or technical specifications are applied: EN 60335-1:2012/A15:2021, EN 50636-2-91:2014, EN IEC 63000:2018, EN IEC 55014-1:2021; EN IEC 55014-2:2021.

Notified body: 0158 DEKRA Testing and Certification GmbH, Handwerkstraße 15, 70565 Stuttgart, Germany has certified conformity with the council's directive 2000/14/EC, conformity assessment procedure: Annex VI.

For information relating to noise emission, refer to *Technical data on page 21*.

Huskvarna, 2023-12-14



Claes Losdal, R&D Manager, Husqvarna AB

Responsible for technical documentation



UK Declaration of conformity

We, **Husqvarna AB**, SE-561 82 Huskvarna, Sweden, tel: +46-36-146500, declare on our sole responsibility that the product:

Description	Battery grass trimmer
Brand	Husqvarna
Type / Model	Aspire T28-P4A
Identification	Serial numbers dating from 2023 and onwards

complies fully with the following UK regulations:

Description
The Supply of Machinery (Safety) Regulations 2008
Electromagnetic Compatibility Regulations 2016
The Noise Emission in the Environment by Equipment for use Outdoors Regulations 2001
The Restriction of the Use of Certain Hazardous Substances in Electrical and Electronic Equipment Regulations 2012

and that the following standards and/or technical specifications are applied: EN 60335-1:2012/A15:2021, EN 50636-2-91:2014, EN IEC 63000:2018, EN IEC 55014-1:2021; EN IEC 55014-2:2021.

Approved body: 0359 Intertek Testing & Certification Ltd, Academy Place, 1-9 Brook Street, Brentwood, Essex, CM14 5NQ, United Kingdom has carried out certified conformity according to S.I.2001/1701, schedule 9.

For information relating to noise emissions, refer to *Technical data on page 21*.

Huskvarna, 2023-12-14



Claes Losdal, R&D Manager, Husqvarna AB

Responsible for technical documentation

**UK
CA**

UK Importer:
Husqvarna UK Ltd
Preston Road, Co. Durham
DL5 6UP

Licenses

Copyright © 2012–2020 STMicroelectronics

The warranty does not cover defects which are the result of normal wear and tear, negligence, defective use, unauthorised repair or the suction apparatus being connected to the incorrect voltage.

All rights reserved.

Redistribution and use in source and binary forms, with or without modification, are permitted provided that the following conditions are met:

- Redistributions of source code must retain the above copyright notice, this list of conditions and the following disclaimer.
- Redistributions in binary form must reproduce the above copyright notice, this list of conditions and the following disclaimer in the documentation and/or other materials provided with the distribution.
- Neither the name of STMicroelectronics nor the names of its contributors may be used to endorse or promote products derived from this software without specific prior written permission.

THIS SOFTWARE IS PROVIDED BY THE COPYRIGHT HOLDERS AND CONTRIBUTORS "AS IS" AND ANY EXPRESS OR IMPLIED WARRANTIES, INCLUDING, BUT NOT LIMITED TO, THE IMPLIED WARRANTIES OF MERCHANTABILITY AND FITNESS FOR A PARTICULAR PURPOSE ARE DISCLAIMED. IN NO EVENT SHALL THE COPYRIGHT OWNER OR CONTRIBUTORS BE LIABLE FOR ANY DIRECT, INDIRECT, INCIDENTAL, SPECIAL, EXEMPLARY, OR CONSEQUENTIAL DAMAGES (INCLUDING, BUT NOT LIMITED TO, PROCUREMENT OF SUBSTITUTE GOODS OR SERVICES; LOSS OF USE, DATA, OR PROFITS; OR BUSINESS INTERRUPTION) HOWEVER CAUSED AND ON ANY THEORY OF LIABILITY, WHETHER IN CONTRACT, STRICT LIABILITY, OR TORT (INCLUDING NEGLIGENCE OR OTHERWISE) ARISING IN ANY WAY OUT OF THE USE OF THIS SOFTWARE, EVEN IF ADVISED OF THE POSSIBILITY OF SUCH DAMAGE.

Apache 2.0 License

Copyright © 2009-2019 Arm Limited. All rights reserved.

Version 2.0, January 2004 <http://www.apache.org/licenses/>

TERMS AND CONDITIONS FOR USE,
REPRODUCTION, AND DISTRIBUTION

1. Definitions.

"License" shall mean the terms and conditions for use, reproduction, and distribution as defined by Sections 1 through 9 of this document. **"Licensor"** shall mean the copyright owner or entity authorized by the copyright owner that is granting the License. **"Legal Entity"** shall mean the union of the acting entity and all other

entities that control, are controlled by, or are under common control with that entity. For the purposes of this definition, **"control"** means (i) the power, direct or indirect, to cause the direction or management of such entity, whether by contract or otherwise, or (ii) ownership of fifty percent (50%) or more of the outstanding shares, or (iii) beneficial ownership of such entity. **"You"** (or **"Your"**) shall mean an individual or Legal Entity exercising permissions granted by this License. **"Source"** form shall mean the preferred form for making modifications, including but not limited to software source code, documentation source, and configuration files. **"Object"** form shall mean any form resulting from mechanical transformation or translation of a Source form, including but not limited to compiled object code, generated documentation, and conversions to other media types. **"Work"** shall mean the work of authorship, whether in Source or Object form, made available under the License, as indicated by a copyright notice that is included in or attached to the work (an example is provided in the Appendix below). **"Derivative Works"** shall mean any work, whether in Source or Object form, that is based on (or derived from) the Work and for which the editorial revisions, annotations, elaborations, or other modifications represent, as a whole, an original work of authorship. For the purposes of this License, Derivative Works shall not include works that remain separable from, or merely link (or bind by name) to the interfaces of, the Work and Derivative Works thereof. **"Contribution"** shall mean any work of authorship, including the original version of the Work and any modifications or additions to that Work or Derivative Works thereof, that is intentionally submitted to Licensor for inclusion in the Work by the copyright owner or by an individual or Legal Entity authorized to submit on behalf of the copyright owner. For the purposes of this definition, **"submitted"** means any form of electronic, verbal, or written communication sent to the Licensor or its representatives, including but not limited to communication on electronic mailing lists, source code control systems, and issue tracking systems that are managed by, or on behalf of, the Licensor for the purpose of discussing and improving the Work, but excluding communication that is conspicuously marked or otherwise designated in writing by the copyright owner as **"Not a Contribution."** **"Contributor"** shall mean Licensor and any individual or Legal Entity on behalf of whom a Contribution has been received by Licensor and subsequently incorporated within the Work.

2. Grant of Copyright License.

Subject to the terms and conditions of this License, each Contributor hereby grants to You a perpetual, worldwide, non-exclusive, no-charge, royalty-free, irrevocable copyright license to reproduce, prepare Derivative Works of, publicly display, publicly perform, sublicense, and distribute the Work and such Derivative Works in Source or Object form.

3. Grant of Patent License.

Subject to the terms and conditions of this License, each Contributor hereby grants to You a perpetual, worldwide, nonexclusive, no-charge, royalty-free, irrevocable (except as stated in this section) patent license to make, have made, use, offer to sell, sell, import, and otherwise transfer the Work, where such license applies only to those patent claims licensable by such Contributor that are necessarily infringed by their Contribution(s) alone or by combination of their Contribution(s) with the Work to which such Contribution(s) was submitted. If You institute patent litigation against any entity (including a crossclaim or counterclaim in a lawsuit) alleging that the Work or a Contribution incorporated within the Work constitutes direct or contributory patent infringement, then any patent licenses granted to You under this License for that Work shall terminate as of the date such litigation is filed.

4. Redistribution.

You may reproduce and distribute copies of the Work or Derivative Works thereof in any medium, with or without modifications, and in Source or Object form, provided that You meet the following conditions:

- You must give any other recipients of the Work or Derivative Works a copy of this License; and
- You must cause any modified files to carry prominent notices stating that You changed the files; and – You must retain, in the Source form of any Derivative Works that You distribute, all copyright, patent, trademark, and attribution notices from the Source form of the Work, excluding those notices that do not pertain to any part of the Derivative Works; and
- If the Work includes a "NOTICE" text file as part of its distribution, then any Derivative Works that You distribute must include a readable copy of the attribution notices contained within such NOTICE file, excluding those notices that do not pertain to any part of the Derivative Works, in at least one of the following places: within a NOTICE text file distributed as part of the Derivative Works; within the Source form or documentation, if provided along with the Derivative Works; or, within a display generated by the Derivative Works, if and wherever such third-party notices normally appear. The contents of the NOTICE file are for informational purposes only and do not modify the License. You may add Your own attribution notices within Derivative Works that You distribute, alongside or as an addendum to the NOTICE text from the Work, provided that such additional attribution notices cannot be construed as modifying the License. You may add Your own copyright statement to Your modifications and may provide additional or different license terms and conditions for use, reproduction, or distribution of Your modifications, or for any such Derivative Works as a whole, provided Your use, reproduction, and distribution of the Work otherwise complies with the conditions stated in this License.

5. Submission of Contributions.

Unless You explicitly state otherwise, any Contribution intentionally submitted for inclusion in the Work by You to the Licensor shall be under the terms and conditions of this License, without any additional terms or conditions. Notwithstanding the above, nothing herein shall supersede or modify the terms of any separate license agreement you may have executed with Licensor regarding such Contributions.

6. Trademarks.

This License does not grant permission to use the trade names, trademarks, service marks, or product names of the Licensor, except as required for reasonable and customary use in describing the origin of the Work and reproducing the content of the NOTICE file.

7. Disclaimer of Warranty.

Unless required by applicable law or agreed to in writing, Licensor provides the Work (and each Contributor provides its Contributions) on an "AS IS" BASIS, WITHOUT WARRANTIES OR CONDITIONS OF ANY KIND, either express or implied, including, without limitation, any warranties or conditions of TITLE, NON-INFRINGEMENT, MERCHANTABILITY, or FITNESS FOR A PARTICULAR PURPOSE. You are solely responsible for determining the appropriateness of using or redistributing the Work and assume any risks associated with Your exercise of permissions under this License. 8. Limitation of Liability. In no event and under no legal theory, whether in tort (including negligence), contract, or otherwise, unless required by applicable law (such as deliberate and grossly negligent acts) or agreed to in writing, shall any Contributor be liable to You for damages, including any direct, indirect, special, incidental, or consequential damages of any character arising as a result of this License or out of the use or inability to use the Work (including but not limited to damages for loss of goodwill, work stoppage, computer failure or malfunction, or any and all other commercial damages or losses), even if such Contributor has been advised of the possibility of such damages.

9. Accepting Warranty or Additional Liability.

While redistributing the Work or Derivative Works thereof, You may choose to offer, and charge a fee for, acceptance of support, warranty, indemnity, or other liability obligations and/or rights consistent with this License. However, in accepting such obligations, You may act only on Your own behalf and on Your sole responsibility, not on behalf of any other Contributor, and only if You agree to indemnify, defend, and hold each Contributor harmless for any liability incurred by, or claims asserted against, such Contributor by reason of your accepting any such warranty or additional liability.

END OF TERMS AND CONDITIONS

Съдържание

Въведение.....	27	Транспортиране, съхранение и изхвърляне.....	43
Безопасност.....	29	Технически данни.....	44
Монтаж.....	37	Принадлежности.....	45
Операция.....	38	Декларация за съответствие.....	46
Поддръжка.....	40	Лицензи.....	47
Отстраняване на проблеми.....	42	Приложение	507

Въведение

Описание на продукта

Husqvarna Aspire T28-P4A е акумулаторна косачка с електрически мотор.

Ние работим постоянно, за да подобряваме Вашата безопасност и ефективност по време на работа. Свържете се с дистрибутор по обслужването за повече информация.

Предназначение

Продуктът се използва с тримерна глава за косене на трева. Не използвайте продукта за дейности, различни от подрязване и косене на трева.

Общ преглед на продукта

(Фиг. 1)

1. Тримерна глава
2. Предпазител на режешо оборудване
3. Предпазител за растения
4. Регулиране на двусекционния вал (телескопичен)
5. Двусекционен вал
6. Примкова ръкохватка
7. Капачка за техническо обслужване
8. Бутон за регулиране на примковата ръкохватка
9. Потребителски интерфейс
10. Предупредителен индикатор
11. Индикатор за състояние на зареждане
12. Бутон за вкл./изкл.
13. Захранващ спусък
14. Блокировка на захранващия спусък
15. Акумулаторна батерия (P4A 18-B45)
16. Бутон за освобождаване на акумулаторната батерия
17. Акумулаторна батерия (P4A 18-B72)
18. Зарядно устройство за акумулаторни батерии (P4A 18-C70)
19. Конектор
20. Индикатор за включено състояние и предупредителен индикатор
21. Комбиниран инструмент
22. Кука за стена

Забележка: Националните разпоредби могат да поставят ограничения за работата с продукта.

Бързо ръководство

Сканирайте QR кода за съвет как да използвате продукта.

(Фиг. 20)

23. Винтове и дюбели за кука за стена

24. Ръководство за оператора

Символи върху продукта

(Фиг. 2) **ПРЕДУПРЕЖДЕНИЕ:** този продукт може да бъде опасен и да причини сериозно нараняване или смърт на оператора или други хора. Внимавайте и използвайте продукта правилно.

(Фиг. 3) Прочетете внимателно ръководството за оператора и се уверете, че разбирате инструкциите, преди да използвате машината.

(Фиг. 4) Използвайте защитни средства за очите.

(Фиг. 5) Не излагайте на дъжд.

(Фиг. 6) Етикет за шумовите емисии за околната среда съгласно директивите и регламентите на ЕС и Обединеното кралство и законодателството на Нов Южен Уелс "Регламент 2017 относно защитата от дейности, оказващи влияние на околната среда (контрол на шума)". Гарантираното ниво на

	звуквата мощност на продукта е посочено в <i>Технически данни на страница 44</i> .		Данните за шумови емисии могат да бъдат намерени на етикета на машината и в главата "Технически характеристики".
(Фиг. 7)	Разкачете акумулаторната батерия преди техническо обслужване.	(Фиг. 7)	Разкачете акумулаторната батерия преди техническо обслужване.
(Фиг. 8)	Продуктът или опаковката на продукта не е битов отпадък. Рециклирайте го в станция за рециклиране за електрическо и електронно оборудване.	(Фиг. 8)	Продуктът или опаковката на продукта не е битов отпадък. Рециклирайте го в станция за рециклиране за електрическо и електронно оборудване.
(Фиг. 9)	Пазете се от изхвърлени предмети.	(Фиг. 9)	Пазете се от изхвърлени предмети.
(Фиг. 10)	Не използвайте метални остриета.	(Фиг. 10)	Не използвайте метални остриета.
(Фиг. 11)	Продуктът е в съответствие с приложимите директиви на ЕС.	(Фиг. 11)	Продуктът е в съответствие с приложимите директиви на ЕС.
(Фиг. 12)	Продуктът съответства на приложимите регламенти на Обединеното кралство.	(Фиг. 13)	Прав ток.
(Фиг. 13)	Прав ток.	(Фиг. 17)	Разстоянието между машината и страничните лица трябва да бъде най-малко 15 m (50 ft).
(Фиг. 17)	Разстоянието между машината и страничните лица трябва да бъде най-малко 15 m (50 ft).	ПТГССXXXXX	На табелката с данни или с лазерен печат е изписан серийният номер. уууу е годината на производство, а ww – седмицата на производство.
ПТГССXXXXX	На табелката с данни или с лазерен печат е изписан серийният номер. уууу е годината на производство, а ww – седмицата на производство.		

Символи върху продукта

(Фиг. 2)	ПРЕДУПРЕЖДЕНИЕ: този продукт може да бъде опасен и да причини сериозно нараняване или смърт на оператора или други хора. Внимавайте и използвайте продукта правилно.	(Фиг. 18)	Рециклирайте този продукт в пункт за рециклиране за електрическо и електронно оборудване. (валидно само за Европа)
(Фиг. 3)	Прочетете внимателно ръководството за оператора и се уверете, че разбирате инструкциите, преди да използвате машината.	(Фиг. 19)	Използвайте акумулаторната батерия само с продукти от партньори на системата POWER FOR ALL.
(Фиг. 4)	Използвайте защитни средства за очите.		
(Фиг. 5)	Не излагайте на дъжд.		
(Фиг. 6)	Етикетът за шумовите емисии за околната среда съгласно директивите и регламентите на ЕС (включително и законодателството на Нов Южен Уелс) и тези на Обединеното кралство.	(Фиг. 14)	Устойчив на неизправности захранващ блок.

Символи върху акумулаторната батерия и/или зарядното устройство за акумулаторни батерии

(Фиг. 15) Използвайте и дръжте зарядното устройство на акумулаторни батерии само на закрито.

(Фиг. 16) Двойна изолация.

Повреда на продукта

Ние не носим отговорност за повреди по нашия продукт, ако:

- продуктът е неправилно ремонтиран.
- продуктът е ремонтиран с части, които не са от производителя или не са одобрени от производителя.

- продуктът има принадлежност, която не е от производителя или не е одобрена от производителя.
- продуктът не е ремонтиран в одобрен сервизен център или от одобрен орган.

Производител

Husqvarna AB

SE-561 82, Huskvarna, Sweden

Безопасност

Дефиниции за безопасност

Предупреждения, знаци за внимание и бележки се използват за указване на особено важни части на инструкцията.



ПРЕДУПРЕЖДЕНИЕ: Използва се, ако има опасност от нараняване или смърт за оператора или за околните, ако не се спазват инструкциите в ръководството.



ВНИМАНИЕ: Използва се, ако има опасност от повреждане на машината, други материали или съседната зона, ако не се спазват инструкциите в ръководството.

Забележка: Използва се за предоставяне на повече информация, която е необходима в дадена ситуация.

Общи предупреждения за безопасност за силови инструменти



ПРЕДУПРЕЖДЕНИЕ: Прочетете внимателно всички предупреждения за безопасността и инструкции. Неспазването на инструкциите и на предупрежденията за безопасност може да доведе до електрически удар, пожар и/или сериозни наранявания.

Забележка: Запазете всички предупреждения и инструкции за бъдещи справки. Терминът "електрически инструмент" в предупрежденията се отнася за електрически управлявания (кабелен)

електрически инструмент или такъв на батерии (безжичен).

Проверка преди стартиране

- Винаги отстранявайте акумулаторната батерия, за да предотвратите случайното стартиране на продукта. Винаги отстранявайте акумулаторната батерия, преди да извършвате каквото и да било техническо обслужване на продукта.
- Преди да използвате продукта и след всеки удар, проверете за признаци на износване или повреда и ремонтирайте според необходимостта.
- Проверете работната площ. Отстранете всякакви търкалящи се предмети, като например камъни, счупени стъкла, гвоздеи, стоманени въжета, жици и други, които могат да бъдат подхвърлени или да се омотаят около резеца или предпазителя на резеца.
- Проверете двигателя за мръсотия и пукнатини. Почистете тревата и листата от двигателя, като използвате четка. Трябва да носите ръкавици, когато е необходимо.
- Проверете дали тримерната глава е напълно закрепена към тримера.
- Проверете дали продуктът е в отлично работно състояние. Проверете дали всички гайки и винтове са затегнати.
- Проверете дали тримерната глава и предпазителят на тримера не са повредени или напукани. Сменете тримерната глава или предпазителя на тримера, ако е бил подложен на удари или по него са се появили пукнатини. Винаги използвайте препоръчания предпазител за конкретната режеща приставка. Вижте глава Технически характеристики.
- Операторът на продукта трябва да се увери, че по време на работа в радиус от 15 метра няма хора или животни. Когато няколко оператора работят на една и съща площ, трябва да се спазва безопасно разстояние от поне 15 метра.

- Извършете цялостна проверка на продукта преди употреба. Вижте разписанието за техническо обслужване.
- Възможно е използването на продукта да се регулира от националните или местните регламенти. Спазвайте предоставените регламенти.

Безопасност на работната област

- **Поддържайте работната област чиста и добре осветена.** Мръсните и тъмните области са по-предразполагащи към инциденти.
- **Не работете с електрически инструменти в експлозивна среда, като например в присъствието на запалителни течности, газове или прах.** Електрическите инструменти създават искри, които може да възпламенят праха или дима.
- **Дръжте децата и наблюдателите далеч, докато работите с електрически инструмент.** Разсейването може да доведе до загуба на контрол.

Електрическа безопасност

- **Щепселите на електрическите инструменти трябва да съответстват на контакта. Никога не променяйте щепселите по какъвто и да било начин. Не използвайте никакви адаптерни щепсели със заземени електрически инструменти.** Немодифицираните щепсели и съответстващи им изходи ще намалят рисковете от токов удар.
- **Избягвайте контакт на тялото със заземени повърхности, като тръби, радиатори и хладилници.** Има повишен риск от електрически удар, ако Вашето тяло е заземено или замасено.
- **Не излагайте електрическите инструменти на дъжд или влажни условия.** Водата, която влиза в електрически инструмент, ще увеличи риска от електрически удар.
- **Не насилвайте шнура. Никога не използвайте шнура за носене, дърпане или изключване на електрическия инструмент.** Пазете шнура далеч от топлинни източници, масло, остри ръбове или движещи се части. Повредените и оплетени шнурове увеличават риска от електрически удар.
- **Когато работите с електрически инструмент навън, използвайте удължителен шнур, който е подходящ за външна употреба.** Шнурът, подходящ за използване на открито, намалява рисковете от токов удар.
- **Ако работата с електрически инструмент на влажно място е неизбежна, използвайте захранване с устройство със защита от остатъчен ток (RCD).** Използването на RCD намалява риска от електрически удар.

Лична безопасност

- **Бъдете нащрек, внимавайте какво правите и бъдете разсъдливи, когато работите с**

електрически инструмент. Не използвайте електрически инструмент, когато сте изморени или когато сте под влиянието на наркотици, алкохол или лекарства. Един миг на невнимание по време на работа с електрически инструменти може да доведе до сериозна телесна повреда.

- **Използвайте лични предпазни средства. Винаги носете защитни средства за очите.** Предпазните средства като респираторна маска, непързалияци се предпазни обувки, твърда каска или антифони, използвани за съответните условия, ще намалят телесните повреди.
- **Не допускайте нежелано стартиране. Уверете се, че ключът е в позиция ИЗКЛ., преди да свържете към източник на мощност и/или батериите, когато вземате или носите инструмента.** Носенето на електрически инструменти, докато пръстът Ви е на превключвателя, или включването в мрежата на инструменти, чийто прекъсвач е в позиция ВКЛ., предразполага към злополуки.
- **Извадете всички настройващи ключове или гаечни ключове, преди да включите електрическия инструмент.** Гаечен ключ или ключ, оставен закачен за въртащата се част на електрически инструмент, може да доведе до телесна повреда.
- **Не се протягвайте прекалено надалеч, докато работите. Поддържайте съответната стъпка и баланс през цялото време.** Това позволява по-добър контрол на електрическия инструмент в неочаквани ситуации.
- **Обличайте се подходящо. Никога не носете широки дрехи или украшения. Дръжте косата и дрехите си далеч от движещите се части на инструмента.** Развети дрехи, бижута или дълга коса могат да бъдат закачени в движещите се части.
- **Ако са предоставени устройства за свързване на изсмукване на прах и съдове за събиране, уверете се, че те са свързани и се използват правилно.** Използването на съдове за събиране на прах може да намали опасностите, свързани с праха.
- **Не позволявайте на натрупания от честата употреба на инструменти опит да Ви вдъхне излишна увереност и да игнорирате принципите за безопасна употреба на инструменти.** Едно нехайно действие може да причини сериозно нараняване за част от секундата.
- **Вибрационните емисии по време на действителна употреба на електрически инструмент може да се различават от обявената обща стойност в зависимост от начините на използване на инструмента.** Операторите трябва да установят защитни мерки, за да се предпазват. Те трябва да са базирани на изчислението на излагане в действителните условия на употреба (като се вземат предвид всички елементи на работния цикъл, като времето, когато инструментът е изключен, както

и кога работи на празен ход в допълнение на времето при натиснат спусък).

Употреба и грижа за електрическия инструмент

- **Не насилвайте електрическия инструмент. Използвайте подходящия електрически инструмент за Вашето приложение.** Правилният електрически инструмент ще свърши работата по-добре и по-безопасно със скоростта, за която е бил създаден.
- **Не използвайте електрическия инструмент, ако фиксаторът не го включва и изключва.** Всеки електрически инструмент, който не може да бъде управляван с фиксатора, е опасен и трябва да бъде поправен.
- **Разкачете щепсела от електрическия източник и/или премахнете акумулаторната батерия от електрическия инструмент, ако може да се отстрани, преди да правите каквито и да било настройки, да сменяте принадлежности или да съхранявате електрически инструменти.** Тези предпазни мерки намаляват риска от нежелано стартиране на електрическия инструмент.
- **Съхранявайте неизползваните електрически инструменти далеч от достъпа на деца и не разрешавайте на хора, които не са запознати с електрическия инструмент или тези инструкции, да работят с него.** Електрическите инструменти са опасни в ръцете на необучени потребители.
- **Поддържайте електрическите инструменти и аксесоари.** Проверявайте за неправилно поставяне или застъпване на движещите се части, счупени части или друго състояние, което може да се отрази на работата на електрическия инструмент. Ако електрическият инструмент бъде повреден, дайте го на поправка, преди да го използвате. Много инциденти възникват с лошо поддържани електрически инструменти.
- **Поддържайте режещите инструменти остри и чисти.** Правилно поддържаните режещи инструменти с остри режещи краища са по-трудни за огъване и се контролират по-лесно.
- **Използвайте електрическия инструмент, принадлежностите, приставките и т. н. в съответствие с тези инструкции, като имате предвид условията и естеството на работата, която извършвате.** Използването на електрическия инструмент за операции, различни от тези, за които е предназначен, може да доведе до опасни ситуации.
- **Поддържайте ръкохватките и повърхностите за хващане сухи, чисти и без масло и грес.** Хлъзгавите ръкохватки и повърхности за хващане не позволяват безопасно боравене и контрол над инструмента при непредвидени ситуации.

Употреба и грижа за инструмента на батерия

- **Презареждайте само със зарядно устройство, определено от производителя.** Зарядно устройство, което е подходящо за един вид батерия, може да създаде опасност от злополука, когато се използва с друга батерия.
- **Използвайте продуктите само със специално определените акумулаторни батерии.** Използването на други батерии може да създаде опасност от нараняване и пожар.
- **Когато батерията не е в употреба, дръжте я далече от други метални предмети, като кламери, монети, ключове, пирони, винтове или други, които могат да свържат едната клемма с другата.** Окъсяване на изводите на батерията може да предизвика изгаряния или пожар.
- **При злоупотреба от акумулатора може да бъде изхвърлена течност – избягвайте допир. В случай на случаен контакт изплакнете с вода.** Ако течността попадне в очите, потърсете допълнителна медицинска помощ. Течност, изхвърлена от акумулатора, може да причини раздразнения или изгаряния.
- **Не използвайте акумулаторната батерия или продукт, който е променен или повреден.** Повредените или модифицирани батерии могат да имат непредсказуемо поведение, което да доведе до пожар, експлозия или опасност от нараняване.
- **Не излагайте акумулаторната батерия или уреда на огън или прекомерна температура.** Излагането на огън или температура над 130°C/265°F може да предизвика експлозия.
- **Спазвайте всички инструкции за зареждане и не зареждайте акумулаторната батерия или уреда извън температурния диапазон, посочен в инструкциите.** Неправилното зареждане или зареждането при температури извън определения диапазон може да повредят акумулаторната батерия и да увеличат риска от пожар.

Обслужване

- **Техническото обслужване на Вашия електрически инструмент трябва да се извършва от квалифицирано лице, като се използват само идентични резервни части.** Това ще гарантира безопасността на електрическия инструмент.
- **Никога не обслужвайте повредени акумулаторни батерии.** Обслужването на акумулаторни батерии трябва да се извършва само от производителя или оторизирани сервизни доставчици.

Винаги се осланяйте на здравия си разум

Невинаги може да се предвиди всяка възможна ситуация, с която може да се сблъскате. Винаги работете с повишено внимание и се осланяйте на здравия си разум. Избягвайте всички ситуации,

в които имате съмнения, че няма да можете да се справите. Ако все още се чувствате несигурни за работните процедури след прочитането на тези инструкции, трябва да се консултирате с експерт, преди да продължите работа.



ПРЕДУПРЕЖДЕНИЕ: Никога не позволявайте на деца да използват машината или да бъдат в близост до нея. Тъй като машината се стартира лесно, децата биха могли да я включат, ако не са под постоянен надзор. Това може да означава риск от сериозна телесна повреда. Поради това изваждайте батерията, когато машината не е под пряко наблюдение.

Общи инструкции за безопасност



ПРЕДУПРЕЖДЕНИЕ: Прочетете следващите предупредителни инструкции, преди да използвате продукта.

- Отстранявайте акумулаторната батерия, за да предотвратите случайното включване на продукта.
- Този продукт е опасен инструмент, ако не сте внимателни или ако го използвате неправилно. Този продукт може да причини сериозно нараняване или смърт на оператора и други хора.
- Не използвайте продукта, ако е променен спрямо първоначалните му спецификации. Не сменяйте някоя част на продукта без одобрение от производителя. Използвайте само части, които са одобрени от производителя. Неправилното техническо обслужване е възможно да доведе до нараняване или смърт.
- Извършете проверка на продукта преди употреба. Вижте *Проверка преди стартиране на страница 29* и *Преди да започнете работа с продукта на страница 38*. Не използвайте продукт, който е повреден или не работи правилно. Извършете описаните в това ръководство проверки за безопасност, както и инструкциите за техническо обслужване и сервиз.
- Децата трябва да се надзират, за да се гарантира, че няма да си играят с продукта. Никога не позволявайте на деца или други лица, които не са обучени да използват продукта и/или акумулаторната батерия, да я използват или обслужват. Възрастта на оператора може да е постановена от местните закони.
- Съхранявайте продукта в площ под ключ, за да предотвратите достъпа до него от страна на деца или лица, които не са упълномощени да го използват.
- Съхранявайте продукта на място, недостъпно за деца.

- При никакви обстоятелства не бива да се нанасят модификации в първоначалната конструкция на продукта без разрешение от производителя. Винаги използвайте оригинални принадлежности. Неоторизирани изменения и/или принадлежности могат да предизвикат сериозна телесна повреда или смърт на оператора и други лица.

Забележка: Възможно е използването на продукта да се регулира от национални или местни разпоредби. Спазвайте предоставените регламенти.

Инструкции за безопасност за работа



ПРЕДУПРЕЖДЕНИЕ: Прочетете следващите предупредителни указания, преди да използвате продукта.

- **Не използвайте машината в лоши метеорологични условия, особено когато има опасност от мълнии.** Това намалява опасността да бъдете ударени от мълния.
- **Внимателно проверете площта, където ще се използва машината, за диви животни.** По време на работа машината може да се нарани от диви животни.
- **Проверете внимателно площта, в която ще се използва машината, и отстранете всички камъни, пръчки, проводници, кости и други чужди предмети.** Изхвърлените предмети могат да причинят телесно нараняване.
- **Преди да използвате машината, винаги проверявайте визуално, за да видите дали ножът и възелът на ножа не са повредени.** Повредените части увеличават риска от нараняване.
- **Дръжте предпазителите на място.** Предпазителите трябва да са в работно състояние и да са правилно монтирани. Хлабав, повреден или неправилно функциониращ предпазител може да доведе до телесно нараняване.
- **Поддържайте всички входни отвори за охлаждащ въздух чисти от отпадъци.** Блокираните входни отвори за въздух и отломките може да доведат до прегряване или риск от пожар.
- **Носете защитни средства за очите и ушите.** Подходящото защитно оборудване ще намали телесното нараняване.
- **По време на работа с машината винаги носете неплъзгащи се и защитни обувки. Не работете с машината, когато сте боси или носите отворени сандали.** Това намалява вероятността от нараняване на краката при контакт с движещия се нож.
- **Винаги носете дрехи, като например панталони, които покриват краката, докато работите с машината.** Контактът с движещия се нож или корда може да причини нараняване.

- **Дръжте страничните лица далеч, докато работите с машината.** Изхвърлените отломки могат да доведат до сериозно телесно нараняване.
- **Не работете с машината над височината на талията.** Това предотвратява нежелан контакт с ножа и позволява по-добро управление на машината в неочаквани ситуации.
- **Бъдете внимателни, когато работите с машината при мокра трева. Ходете, никога не тичайте.** Това намалява риска от подхлъзване и падане, което може да доведе до телесно нараняване.
- **Не работете с машината по прекалено стръмни наклони.** Това намалява риска от загуба на контрол, подхлъзване и падане, което може да доведе до телесно нараняване.
- **Когато работите по наклони, винаги се уверявайте, че сте стъпили добре, винаги работете напречно на наклоните, никога нагоре или надолу, и бъдете изключително внимателни при смяна на посоката.** Това намалява риска от загуба на контрол, подхлъзване и падане, което може да доведе до телесно нараняване.
- **Дръжте всички захванващи шнурове и кабели далеч от площта на рязане.** Захранващи шнурове или кабели може да бъдат скрити в храстите и случайно да бъдат отрязани или повредени от кордата или ножа.
- **Дръжте всички части на тялото си далеч от движещия се нож или корда на тримера. Не чистете материала от машината, докато не бъде разкачена от източника на захранване.** Подвижният нож или корда на тримера може да доведе до сериозно телесно нараняване.
- **Носете машината в изключено състояние и далеч от тялото.** Правилното боравене с машината ще намали вероятността от случаен контакт с движещ се нож или корда на тримера.
- **Използвайте само резервни режещи глави и ножове или корди на тримери, определени от производителя. Не сменяйте ножовете или кордите на тримера с метални въжета или ножове.** Неправилните резервни части може да причинят загуба на контрол, счупване и нараняване.

Лични предпазни средства



ПРЕДУПРЕЖДЕНИЕ: Прочетете следващите предупредителни указания, преди да използвате продукта.

- При работа с продукта винаги използвайте одобрени лични предпазни средства. Личните предпазни средства не изключват изцяло риска от нараняване, но намаляват степента на нараняването при злополука. Нека Вашият дистрибутор Ви помогне да изберете правилното оборудване.
- Използвайте одобрени антифони.

(Фиг. 21)

- Използвайте одобрени защитни средства за очите. Ако използвате маска, използвайте също и одобрени защитни очила. Одобрените защитни очила трябва да отговарят на стандарт ANSI Z87.1 за САЩ или EN 166 за страните от ЕС.

(Фиг. 22)

- Когато е необходимо, носете ръкавици, например когато закрепвате, проверявате или почиствате режещото оборудване.

(Фиг. 23)

- Носете защитни ботуши със стоманени бомбета и противоплъзгащи подметки.

(Фиг. 24)

- Използвайте дрехи, направени от здрава тъкан. Винаги използвайте здрави, дълги панталони и дълги ръкави. Не носете използвайте дрехи, които могат да се захванат за храсти и клони. Не носете бижута, къси панталони или сандали. Не ходете боси. Носете косата си безопасно над нивото на рамената.
- Дръжте наблизо комплект за първа помощ.

(Фиг. 25)

Устройства за безопасност на продукта



ПРЕДУПРЕЖДЕНИЕ: Прочетете следващите предупредителни инструкции, преди да използвате продукта.

В този раздел се описва предназначното оборудване на продукта, неговото предназначение и как трябва да се извършват проверки и техническо обслужване, за да се гарантира правилната работа. Вижте инструкциите под заглавието, *Въведение на страница 27* за да разберете къде са разположени тези части по продукта Ви.

Срокът на експлоатация на продукта може да се намали, а рискът от злополуки да се повиши, ако не се извършва правилно техническо обслужване на продукта и сервизното обслужване и/или ремонтите не се извършват професионално. Ако Ви е необходима допълнителна информация, моля, свържете се със сервизния дилър, разположен най-близо до Вас.



ПРЕДУПРЕЖДЕНИЕ: Никога не използвайте продукт с повредени обезопасителни компоненти. Предпазното оборудване на продукта трябва да бъде прегледано и технически обслужвано, както е описано в този раздел. Ако продуктът Ви не премине успешно някоя от тези проверки, се свържете със сервиза си за извършване на ремонт.



ВНИМАНИЕ: Всяко извършване на сервизно обслужване и ремонт на машината изисква специално обучение. Това важи в особена степен за предпазните средства на машината. Обърнете към сервиза си, ако машината не отговаря на описаните по-долу проверки. При покупката на наш продукт ние гарантираме предоставянето на професионални ремонтни услуги и сервиз. Ако търговецът, от когото сте закупили машината, не е сервизен дилър, попитайте за адреса на най-близкия сервиз.

За проверка на потребителския интерфейс

Зелените светодиоди (А) показват състоянието на акумулаторната батерия, когато продуктът е включен, но не работи.

1. Натиснете и задръжте бутона за вкл./изкл. (В). (Фиг. 26)
 - a) Продуктът е включен, когато зелените светодиоди (А) светят.
 - b) Продуктът е изключен, когато зелените светодиоди (А) не светят.
2. Направете справка с *Отстраняване на проблеми на страница 42* ако индикаторът за предупреждение (С) свети или премигва.

За проверка на блокировката на захранващия спусък

Блокировката на захранващия спусък предотвратява случайно стартиране. Когато натиснете блокировката на захранващия спусък (А), тя освобождава захранващия спусък (В). Когато освободите ръкохватката, захранващият спусък и блокировката на захранващия спусък се връщат в изходното си положение. (Фиг. 27)

1. Уверете се, че захранващият спусък е заключен, когато блокировката на захранващия спусък е в изходното си положение.

(Фиг. 28)

2. Натиснете захранващия спусък и се уверете, че се връща в изходното си положение, когато го освободите.

(Фиг. 29)

3. Уверете се, че захранващият спусък и блокировката на захранващия спусък се движат свободно и че възвратната пружина работи правилно.

(Фиг. 30)

4. Стартирайте продукта. Направете справка с *За стартиране на продукта на страница 39*.
5. Освободете захранващия спусък и се уверете, че режещата приставка напълно спира.

За проверка на смазването на режещото оборудване



ПРЕДУПРЕЖДЕНИЕ: Не използвайте режещо оборудване без одобрен и правилно поставен предпазител на режещото оборудване. Винаги използвайте предпазителя за режещо оборудване, препоръчана за режещото оборудване, което използвате, вижте *Технически данни на страница 44*. Използването на неподходящ или неизправен предпазител на режещото оборудване може да доведе до сериозна телесна повреда.

Предпазителят на режещото оборудване предотвратява изхвърляне на предмети по посока на оператора. Предпазителят на режещото оборудване също така предпазва от наранявания, които биха възникнали при докосване на режещото оборудване.

1. Спрете двигателя.
2. За извършване на визуална проверка например пукнатини.
3. Подменете предпазителя на режещото оборудване, ако бъде повреден.

Режещо оборудване

Изберете подходящо режещо оборудване и извършете техническо обслужване на оборудването, за да:

- Получите максимална ефективност на рязане.
- Увеличите експлоатационния живот на режещото оборудване.



ПРЕДУПРЕЖДЕНИЕ:

Използвайте режещите приставки само с препоръчаното от нас предпазно оборудване! Вижте *Технически данни на страница 44*. Направете справка с инструкциите за режещата приставка, за да намерите правилния начин за намотаване на кордата на тримера и правилния диаметър на кордата на тримера.



ПРЕДУПРЕЖДЕНИЕ:

Неизправна режеща приставка може да повиши риска от злополуки.

Тримерна глава



ПРЕДУПРЕЖДЕНИЕ: Винаги се уверявайте, че кордата на тримера е навита плътно и равномерно около барабана, за да се предотврати вредна вибрация.

(Фиг. 31)

- Използвайте само препоръчаните тримерни глави и тримерни корди.
- Използвайте само препоръчаното режещо оборудване.
- По-малките машини изискват малки тримерни глави и обратно.
- Дължината на кордата на тримера е важна. Поддългата корда изисква по-голяма мощност на двигателя отколкото късата корда със същия диаметър.
- Уверете се, че резецът на предпазителя на тримера не е повреден. Това реже кордата на тримера до правилната дължина.
- Накиснете кордата на тримера във вода за няколко дни преди употреба, за да увеличите продължителността на работния ресурс.

Безопасност на акумулаторната батерия



ПРЕДУПРЕЖДЕНИЕ: Прочетете всички инструкции за безопасност и общи инструкции. Неспазването на инструкциите за безопасност и общите инструкции може да доведе до токов удар, пожар и/или сериозни наранявания. **Дръжте под ръка цялата информация за безопасност и общи инструкции за бъдещи справки.**

- Тези инструкции за безопасност се отнасят само за 18 V литиевойонни акумулаторни батерии за системата POWER FOR ALL.
- Използвайте акумулаторната батерия само с продукти от партньори на системата POWER FOR ALL. 18 V акумулаторни батерии, обозначени с POWER FOR ALL, са напълно съвместими със следните продукти:
 - Всички продукти от 18 V система за акумулаторни батерии POWER FOR ALL.
 - Всички 18 V продукти от партньори на системата POWER FOR ALL.

- Спазвайте препоръките за акумулаторната батерия в ръководството за работа на Вашия продукт. Само по този начин акумулаторната батерия и продуктът могат да работят без опасност и акумулаторните батерии да бъдат защитени от опасно претоварване.
- Зареждайте акумулаторните батерии само със зарядни устройства, препоръчани от производителя или от партньорите на системата POWER FOR ALL. Зарядно устройство, което е подходящо за един вид акумулаторна батерия, може да създаде риск от пожар, когато се използва с друг вид акумулаторна батерия.
- Акумулаторната батерия се доставя частично заредена. За да осигурите пълен капацитет на акумулаторната батерия, заредете напълно акумулаторната батерия в зарядното устройство, преди да използвате Вашия електрически инструмент за първи път.
- Съхранявайте акумулаторните батерии на недостъпно за деца място.
- Не отваряйте акумулаторната батерия. Съществува риск от късо съединение.
- В случай на повреда и неправилна употреба на акумулаторната батерия може да се отделят пари. Акумулаторната батерия може да възпламени или да експлодира. Уверете се, че зоната е добре проветрена и потърсете медицинска помощ, ако усетите неразположение. Парите могат да раздразнят дихателната система.
- Ако акумулаторната батерия се използва неправилно или ако е повредена, от нея може да се изхвърли запалима течност. Трябва да се избягва контактът с тази течност. В случай на случаен контакт изплакнете с вода. Ако очите Ви влязат в контакт с течността, потърсете допълнителна медицинска помощ. Течността, изхвърлена от акумулаторната батерия, може да причини раздразнения или изгаряния.
- Ако акумулаторната батерия е повредена, от нея може да бъде изхвърлена течност, която да попадне върху близките повърхности. Проверете засегнатите части. Почистете тези части или ги заредете, ако се налага.
- Не окъсявайте акумулаторната батерия. Когато акумулаторната батерия не се използва, я дръжте далеч от други метални предмети, като кламери, монети, ключове, пирони, винтове или други малки метални предмети, които могат да свържат едната клемма с другата. Окъсяване на изходите на акумулаторната батерия може да предизвика изгаряния или пожар.
- Акумулаторната батерия може да бъде повредена от заострени предмети, като пирони или отвертки, или от сила, приложена отвън. Може да възникне вътрешно късо съединение, което да причини запалване на акумулаторната батерия, дим, експлозия или прегряване на акумулаторната батерия.

- **Никога не обслужвайте повредени акумулаторни батерии.** Обслужването на акумулаторни батерии трябва да се извършва само от производителя или оторизирани сервизни доставчици.
- **Пазете акумулаторната батерия от топлина,** напр. от продължително излагане на интензивна слънчева светлина, огън, замърсявания, вода и влага. Съществува риск от експлозия и късо съединение.
- **Използвайте акумулаторната батерия в продукта само когато околната температура е между -5 °C — 40 °C.**
- **Съхранявайте акумулаторната батерия само при околна температура между -20 °C — 50 °C.** Не оставяйте акумулаторната батерия в колата си през лятото например. При температури < 0°C някои устройства може да претърпят загуба на мощност.
- **Зареждайте акумулаторната батерия само при околна температура между 0 °C — 35 °C.** Зареждането извън този температурен диапазон може да увеличи риска от повреда на акумулаторната батерия и да създаде опасност от пожар.
- **Поддържайте зарядното устройство чисто.** Замърсяванията създават риск от токов удар.
- **Винаги проверявайте зарядното устройство, кабела и щепсела преди употреба. Спрете да използвате зарядното устройство, ако откриете някаква повреда. Не отваряйте сами зарядното устройство и го предоставяйте за ремонт само на квалифициран специалист, използвайки само оригинални резервни части.** Повредените зарядни устройства, кабели и щепсели увеличават риска от токов удар.
- **Не работете със зарядното устройство върху лесно запалими повърхности (например хартия, текстил и др.) или в запалима среда.** Има опасност от пожар поради загряване на зарядното устройство по време на работа.
- **Презареждайте само със зарядно устройство, определено от производителя.** Зарядно устройство, което е подходящо за един вид акумулаторна батерия, може да създаде опасност от злополука, когато се използва с друга акумулаторна батерия.
- **В случай на повреда и неправилна употреба на акумулаторната батерия може да се отделят и пари.** Уверете се, че зоната е добре проветрена и потърсете медицинска помощ, ако усетите неразположение. Парите могат да раздразнят дихателната система.
- **При злоупотреба от акумулаторната батерия може да бъде изхвърлена течност. Трябва да се избягва контактът с тази течност. В случай на случаен контакт изплакнете с вода. Ако очите Ви влязат в контакт с течността, потърсете допълнителна медицинска помощ.** Течността, изхвърлена от акумулаторната батерия, може да причини раздразнения или изгаряния.
- **Не покривайте вентилационните отвори на зарядното устройство.** В противен случай зарядното устройство може да прегрее и да спре да функционира правилно.
- **За да се избегнат рискове за безопасността, ако охранващият кабел трябва да бъде сменен, това трябва да бъде направено от Husqvarna или от сервизен център за клиенти, който е оторизиран да ремонтира електрически инструменти на Husqvarna.**
- **Само за продукти, продавани във Великобритания:** Вашият продукт е снабден с одобрен по BS 1363/A електрически щепсел с вътрешен предпазител (ASTA одобрение съгласно BS 1362). Ако щепселът не е подходящ за Вашите контакти, той трябва да бъде отрязан и на негово място да бъде поставен подходящ щепсел от упълномощен сервиз. Заменяният щепсел трябва да има същите номинални параметри на защита като оригиналния щепсел. Отрязаният щепсел трябва да се изхвърли, за да се избегне възможна опасност от токов удар, и никога не трябва да се включва в стенен контакт на друго място.

Инструкции за безопасност за зарядното устройство на акумулаторната батерия



ПРЕДУПРЕЖДЕНИЕ: Прочетете всички инструкции за безопасност и общи инструкции. Неспазването на инструкциите за безопасност и общите инструкции може да доведе до токов удар, пожар и/или сериозни наранявания. **Пазете тези инструкции на безопасно място.** Използвайте зарядното устройство само ако можете напълно да оцените всички функции и да ги изпълнявате без ограничения или ако сте получили съответните инструкции.

- **Наблюдавайте децата по време на употреба, почистване и техническо обслужване.** Това ще гарантира, че децата няма да си играят със зарядното устройство.
- **Зареждайте само литиевоионни акумулаторни батерии от системата POWER FOR ALL 18 V с капацитет от 1,5 Ah или повече (5 акумулаторни клетки или повече).** Напрежението на акумулаторната батерия трябва да съответства на напрежението на зареждане на зарядното устройство. Никога не зареждайте батерии, които не са акумулаторни. В противен случай създавате риск от пожар и експлозия.
- **Не излагайте зарядното устройство на дъжд или влажни условия.** Навлизането на вода в електрически инструмент ще увеличи риска от токов удар.



ПРЕДУПРЕЖДЕНИЕ: Сърдечен арест! Този продукт създава електромагнитно поле по време на работа. При някои условия това поле може да предизвика смущения в активни или пасивни медицински импланти. За да намалите риска от условия, които могат да евентуално да доведат до нараняване или смърт, ние препоръчваме лицата с медицински импланти да говорят с лекаря си и производителя на медицинския имплант, преди да започнат да работят с продукта.



ПРЕДУПРЕЖДЕНИЕ: Опасност от задушаване! Малките части могат лесно да бъдат погълнати. Съществува и опасност малки деца да се задушат с полиетиленовата опаковка. Дръжте малките деца далеч по време на монтажа на продукта.

Инструкции за безопасност при техническо обслужване



ПРЕДУПРЕЖДЕНИЕ: Прочетете следващите предупредителни указания,

преди да извършвате техническо обслужване на продукта.

- Извадете батерията, преди да извършите техническо обслужване, други проверки или сглобяване на продукта.
- Операторът трябва да извършва само техническо обслужване и ремонтни дейности, показани в тази инструкция за експлоатация. Обърнете се към Вашия сервизен дилър при нужда от по-сериозно техническо обслужване и ремонтни дейности.
- Не почиствайте батерията или зарядното устройство с вода. Силните почистващи препарати могат да повредят пластмасата.
- Ако не извършвате техническо обслужване, това намалява експлоатационния живот на продукта и увеличава риска от злополука.
- Необходимо е специално обучение за всички ремонти дейности и поправки особено що се отнася до приспособленията за безопасност на продукта. Ако не всички проверки в тази инструкция за експлоатация са одобрени, след като сте извършили техническото обслужване, обърнете се към Вашия сервизен дилър. Ние гарантираме, че за Вашия продукт има налични професионални поправки и ремонти.
- Използвайте само оригинални резервни части.

Монтаж

Въведение



ПРЕДУПРЕЖДЕНИЕ: Прочетете и разберете главата за безопасност, преди да монтирате продукта.

За закрепване на предпазителя на тримера

1. Поставете предпазителя на тримера към корпуса на двигателя. (Фиг. 32)
2. Монтирайте 2-та болта през корпуса на двигателя и предпазителя на тримера. (Фиг. 33)
3. Затегнете болтовете.

За монтаж на тримерната глава

1. Завъртете изходния вал, докато отворът в задвижващия диск се изравни с отвора в корпуса на скоростната кутия.
2. Монтирайте комбинирания инструмент в отвора, за да заключите двусекционния вал.
3. Завъртете тримерната глава по часовниковата стрелка. (Фиг. 34)

За монтиране на предпазителя за растения

1. Монтирайте предпазителя за растения в отворите на корпуса на двигателя. (Фиг. 35)
2. Уверете се, че предпазителят за растения може свободно да се движи напред и назад. (Фиг. 36)

За монтиране на куката на стената

- Монтирайте куката в закрито помещение.
- Куката трябва да се монтира далеч от слънчева светлина и при температура на околната среда от -10°C до 70°C .
- Монтирайте куката върху гипсокартон, дърво или бетонна стена.



ВНИМАНИЕ: Уверете се, че стената може да издържи товари от минимум 30 kg.

- Монтирайте продукта на стената с 3-те винта (А). Ако се налага, използвайте дюбелите (В). (Фиг. 37)



ВНИМАНИЕ: Уверете се, че винтовете са подходящи за типа на Вашата стена.

- Обърнете се към Вашия сервиз на Husqvarna за информация относно предлаганите принадлежности за съхранение за Вашия продукт.

Операция

Въведение



ПРЕДУПРЕЖДЕНИЕ: Прочетете и разберете раздела с инструкции за безопасност преди използване на продукта.

Преди да започнете работа с продукта

- Прегледайте работния участък, за да се уверите, че познавате вида на терена. Прегледайте наклона на терена и дали има препятствия като камъни, клони и канавки.
- Извършете цялостна инспекция на продукта.
- Извършете инспекциите за безопасност, техническо обслужване и обслужване, които са посочени в това ръководство.
- Проверете двигателя за мръсотия или пукнатини. Използвайте четка за почистване на двигателя от трева и листа. Използвайте ръкавици, когато е необходимо.
- Проверете тримерната глава и предпазителя на режещото оборудване за повреди и пукнатини. Подменете тримерната глава и предпазителя на режещото оборудване, ако са били ударени или ако по тях има пукнатини.
- Уверете се, че всички гайки и винтове са затегнати.
- Преди да стартирате продукта, се уверете, че всички капаци, предпазители, ръкохватки и режещо оборудване са правилно закрепени и не са повредени.

Акумулаторна батерия



ПРЕДУПРЕЖДЕНИЕ: Преди да използвате акумулаторната батерия, трябва да прочетете и разберете главата за безопасност. Трябва също така да прочетете и разберете ръководството за оператора за акумулаторната батерия и зарядното устройство.

Поддържайте подходяща околна температура за акумулаторната батерия и зарядното устройство.

	Околна температура
Работа на акумулаторната батерия в продукта	-5 °C — 40 °C
Зареждане на акумулаторната батерия	0 °C — 35 °C

За зареждане на акумулаторната батерия

Заредете акумулаторната батерия преди използване за първи път.

Забележка: Акумулаторната батерия не се зарежда, ако нейната температура е по-висока от +35°C.

- Свържете захранващия шнур за зарядното устройство в заземен контакт.



ВНИМАНИЕ: Уверете се, че мрежата е с правилните напрежение и честота.

- Поставете акумулаторната батерия в зарядното устройство. Акумулаторната батерия е свързана към зарядното устройство, когато зеленият светодиод мига. (Фиг. 38)
- Акумулаторната батерия е напълно заредена, когато зеленият светодиод на зарядното устройство свети. Зареждайте акумулаторната батерия за най-много 24 часа.
- Разкачете зарядното устройство от мрежата.



ВНИМАНИЕ: Не дърпайте захранващия шнур.

- Отстранете акумулаторната батерия от зарядното устройство.

Светодиод за състоянието на зарядното устройство на акумулаторната батерия

Червеният светодиод (А) и зеленият светодиод (В) на зарядното устройство показват състоянието на акумулаторната батерия. Направете справка с

Светодиод за състояние на акумулаторната батерия на продукта на страница 39.

(Фиг. 39)

Светодиод	Състояние на акумулаторната батерия
Зеленият светодиод мига бързо.	Акумулаторната батерия се зарежда.
Зеленият светодиод мига бавно.	Акумулаторната батерия е заредена на 80%.
Зеленият светодиод свети.	Акумулаторната батерия е напълно заредена.
Червеният светодиод свети.	Направете справка с <i>Светодиод за състояние на акумулаторната батерия на продукта на страница 39.</i>
Червеният светодиод мига бързо.	Направете справка с <i>Светодиод за състояние на акумулаторната батерия на продукта на страница 39.</i>

Светодиод за състояние на акумулаторната батерия на продукта

Когато акумулаторната батерия е монтирана в продукта, светодиодите на продукта показват състоянието на акумулаторната батерия.

(Фиг. 40)

Светодиод	Състояние на акумулаторната батерия
Светодиоди 1, 2 и 3 светят.	Напълно заредена.
Светодиоди 1 и 2 светят.	Достатъчно заредена
Светодиод 1 свети.	Нивото на зареждане на акумулаторната батерия е ниско.
Светодиод 1 мига.	Акумулаторната батерия е изтощена. Индикаторът за състояние на акумулаторната батерия мига. Заредете акумулаторната батерия. Направете справка с <i>За зареждане на акумулаторната батерия на страница 38.</i>

За свързване на акумулаторната батерия към продукта



ПРЕДУПРЕЖДЕНИЕ:

Използвайте акумулаторната батерия само с продуктите от системата POWER FOR ALL 18 V.

1. Уверете се, че акумулаторната батерия е напълно заредена.
2. Плъзнете акумулаторната батерия в държача на батерията на продукта. Акумулаторната батерия трябва да се плъзне лесно в държача; ако не е така, значи не е поставена правилно.

(Фиг. 41)

3. Акумулаторната батерия се заключва в позиция, когато чуе щракване.

За стартиране на продукта

1. Натиснете и задръжте бутона за вкл./изкл., докато зеленият светодиод не светне. (Фиг. 42)
2. Натиснете блокировката на захранващия спусък и захранващия спусък. Режещото оборудване започва да се върти.

За регулиране на примковата ръкохватка и телескопичния двусекционен вал

1. Натиснете бутона за регулиране на примковата ръкохватка.

(Фиг. 43)

2. Регулирайте примковата ръкохватка до подходящ ъгъл.
3. Освободете бутона за регулиране на примковата ръкохватка.
4. Разгънете лоста на двусекционния вал. (Фиг. 44)
5. Настройте необходимата дължина на двусекционния вал.
6. Затворете лоста и затегнете винта.

Забележка: Двете позиции на примковата ръкохватка на следващата илюстрация са предназначени само за транспортиране и/или съхранение.

(Фиг. 45)

Функция за автоматично изключване

Продуктът разполага с автоматична функция за изключване, която го спира, ако той не се използва. Продуктът се изключва след 3 minutes.

За работа с продукта

За кастрене на трева

1. Дръжте тримерната глава непосредствено над земята под ъгъл. Не натискайте кордата на тримера в тревата. (Фиг. 46)
2. Намалете дължината на кордата на тримера с 8 – 10 cm/3,15 – 4 in.

За да почистите затревени зони

1. Придържайте тримерната глава над земята.
2. Наклонете тримерната глава.
3. Окосете с края на кордата на тримера около обектите в работната зона.



ВНИМАНИЕ: Косете само тревата. Удрянето на кордата на тримера в други обекти увеличава износването на кордата.

За рязане на трева

1. Уверете се, че кордата на тримера е успоредна на земята, когато режете тревата. (Фиг. 47)
2. Не натискайте тримерната глава към земята. Това може да повреди продукта.
3. Движете продукта от едната страна до другата, когато режете трева. (Фиг. 48)

За почистване на трева

Въздушният поток от кордата на въртящия се тример може да се използва за отстраняване на отрязана трева от зоната.

1. Поддържайте тримерната глава и кордата на тримера успоредно на земята и над земята.
2. Движете тримерната глава от едната страна до другата и почиствайте тревата.



ПРЕДУПРЕЖДЕНИЕ:

Почиствайте капака на тримерната глава всеки път, когато монтирате нова корда на тримера, за да предотвратите нарушаване на баланса и вибрации в ръкохватките. Освен това извършете проверка на другите части на тримерната глава и я почистете, ако е необходимо.

За спиране на продукта

1. Освободете захранващия спусък и блокировката на захранващия спусък.
2. Натискайте бутон за вкл./изкл., докато зеленият светодиод изгасне.
3. Натиснете бутон за освобождаване на акумулаторната батерия и я отстранете от продукта. (Фиг. 49)

За смяна на кордата на тримера

Направете справка с последната страница от инструкцията за експлоатация.

Поддръжка

Въведение



ПРЕДУПРЕЖДЕНИЕ: Прочетете и разберете главата с инструкции за безопасност, преди да започнете техническо обслужване на продукта.

Следва списък със стъпките от техническото обслужване, които трябва да изпълните за Вашия продукт. Вижте *Поддръжка на страница 40* за допълнителна информация.

График за техническо обслужване



ПРЕДУПРЕЖДЕНИЕ: Извадете акумулаторната батерия, преди да извършите техническото обслужване.

Поддръжка	Ежедневно	Всяка седмица	Всеки месец
Почистете външните части на продукта със суха кърпа. Не използвайте вода.	X		

Поддръжка	Ежедневно	Всяка седмица	Всеки месец
Проверете дали бутонът за стартиране и спиране работи правилно и не е повреден.	X		
Уверете се, че захранващият спусък и блокировката на захранващия спусък работят правилно от гледна точка на безопасността.	X		
Уверете се, че всички контролни органи работят и не са повредени.	X		
Поддържайте ръкохватките сухи, чисти, без масло и грес.	X		
Уверете се, че режещото оборудване не е повредено. Подменете режещото оборудване, ако е повредено.	X		
Уверете се, че предпазителят на режещото оборудване не е повреден. Подменете предпазителя на режещото оборудване, ако бъде повреден.	X		
Уверете се, че всички винтове и гайки са затегнати.	X		
Уверете се, че бутоните за освобождаване на акумулаторната батерия работят и заключават батерията в продукта.	X		
Проверете дали зарядното устройство не е повредено и дали работи изправно.	X		
Уверете се, че батерията не е повредена.	X		
Уверете се, че акумулаторът е зареден.	X		
Уверете се, че зарядното устройство не е повредено.	X		
Проверете всички кабели, свързвания и връзки. Уверете се, че не са повредени и че са чисти.		X	
Проверете връзките между акумулаторната батерия и продукта. Проверете връзката между акумулаторната батерия и зарядното устройство.			X

За проверка на батерията и зарядното устройство

1. Проверете батерията за повреди, като например пукнатини.
2. Проверете зарядното устройство за повреди, като например пукнатини.
3. Уверете се, че свързващият кабел на зарядното устройство не е повреден и напухан.

За почистване на продукта, батерията и зарядното устройство

1. Почиствайте продукта със сух парцал след употреба.
2. Почиствайте батерията и зарядното устройство със сух парцал. Дръжте водачите на батерията чисти.
3. Уверете се, че клемите на батерията и зарядното устройство са чисти, преди батерията да е поставена в зарядното устройство или в продукта.

За проверка и смяна на тримерната глава

1. Проверете тримерната глава за повреди и пукнатини.
2. Завъртете изходния вал, докато отворът в задвижващия диск се изравни с отвора в корпуса на скоростната кутия.
3. Монтирайте комбинирания инструмент в отвора, за да заключите двусекционния вал.
4. Завъртете тримерната глава обратно на часовниковата стрелка.
(Фиг. 50)
5. Сменете тримерната глава.
6. Монтирайте тримерната глава. Направете справка с *За монтаж на тримерната глава на страница 37*.

Отстраняване на проблеми

Потребителски интерфейс

Проблем	Възможни неизправности	Възможно решение
Зеленият светодиод за стартиране мига.	Ниско напрежение на акумулаторната батерия.	Заредете акумулаторната батерия.
Червеният светодиод за грешка мига.	Претоварване.	Режещата приставка не може да се движи свободно. Освободете режещата приставка.
	Температурно отклонение.	Оставете продукта да се охлади.
	Захранващият спусък и стартерният бутон са натиснати едновременно.	Отпуснете захранващия спусък и натиснете стартерния бутон.
Зеленият и червеният светодиод мигат последователно.	Акумулаторната батерия е изтощена.	Заредете акумулаторната батерия.
	Акумулаторната батерия е повредена.	Говорете с Вашия сервизен дилър.

Зарядно устройство за акумулатора

Светодиод на зарядното устройство	Причина	Решение
Зеленият светодиод свети, а червеният мига.	Акумулаторната батерия не е монтирана правилно в зарядното устройство.	Отстранете акумулаторната батерия от зарядното устройство и след това я монтирайте отново в зарядното устройство.
	Клемите на акумулаторната батерия са мръсни.	Почистете клемите на акумулаторната батерия.
	Температурата на околната среда е твърде висока или твърде ниска.	Използвайте зарядното устройство за акумулаторни батерии при температури между 0°C и +35°C.
	Акумулаторната батерия е дефектна.	Сменете акумулаторната батерия.

Светодиод на зарядното устройство	Причина	Решение
Зеленият светодиодиод и червеният светодиодиод не светят.	Зарядното устройство за акумулаторни батерии не е свързано правилно към контакта на електрическата мрежа.	Свържете зарядното устройство за акумулаторни батерии към контакт на електрическата мрежа.
	Неизправен контакт на електрическата мрежа.	Свържете зарядното устройство на акумулаторни батерии към напрежението и честотата, посочени на табелката с данни.
	Кабелът на зарядното устройство за акумулаторни батерии е дефектен.	Обърнете се към одобрен сервиз.
	Зарядното устройство за акумулаторни батерии е дефектно.	
Други грешки.	Ако се проявят други грешки, уверете се, че продуктът е изключен, отстранете акумулаторната батерия и се обърнете към одобрен сервиз.	

Транспортиране, съхранение и изхвърляне

Транспорт и съхранение

- Доставените литиевойонни акумулаторни батерии отговарят на изискванията на законодателството за опасни продукти.
- Специалното изискване на опаковката и етикетите за търговско транспортиране трябва да се спазва, включително от трети страни и спедитори.
- Обърнете се към човек, преминал специално обучение за работа с опасни материали, преди да изпратите продукта. Спазвайте всички приложими национални регламенти.
- Поставете тиксо върху откритите терминали, когато поставяте акумулаторната батерия в опаковка. Поставете акумулаторната батерия плътно в опаковката, за да предотвратите движение.
- Извадете акумулаторната батерия при съхранение или транспортиране.
- Поставете акумулаторната батерия и зарядното устройство в сухо пространство, в което няма влага и скреж.
- Не съхранявайте акумулаторната батерия на места, където може да се натрупа статично електричество. Не съхранявайте акумулаторната батерия в метална кутия.
- Оставете акумулаторната батерия за съхранение на място с температура между $-20^{\circ}\text{C}/-4^{\circ}\text{F}$ и $+50^{\circ}\text{C}/122^{\circ}\text{F}$ и което е далеч от пряка слънчева светлина.
- Поставете зарядното устройство за съхранение при температура между $5^{\circ}\text{C}/41^{\circ}\text{F}$ и $45^{\circ}\text{C}/113^{\circ}\text{F}$ и далеч от пряка слънчева светлина.
- Оставете продукта за съхранение на място с температури между $-40^{\circ}\text{C}/-40^{\circ}\text{F}$ и $+60^{\circ}\text{C}/140^{\circ}\text{F}$.
- Използвайте зарядното устройство за акумулаторни батерии само когато околната температура е между $0^{\circ}\text{C}/32^{\circ}\text{F}$ и $35^{\circ}\text{C}/95^{\circ}\text{F}$.
- Заредете акумулаторната батерия между 30% и 50%, преди да я оставите за съхранение за продължително време.
- Съхранявайте зарядното устройство в затворено и сухо пространство.
- При съхранение дръжте акумулаторната батерия и зарядното устройство отделно. Не позволявайте на деца или други неодобвени лица да имат контакт с оборудването. Дръжте оборудването в пространство, което можете да заключавате.
- Почистете продукта и извършете пълно обслужване, преди да го съхранявате продължително време.
- Използвайте защитата при транспортиране на продукта, за да предотвратите наранявания или повреди на продукта по време на транспортиране и съхранение.
- Закрепете продукта безопасно при транспортиране.
- Съхранявайте продукта в хоризонтално положение или окачен на предоставената кука.

Направете справка с *За монтиране на куката на стената на страница 37*.

(Фиг. 51)

Изхвърляне на батерията, зарядното устройство и продукта

Символът по-долу означава, че продуктът не е битов отпадък. Рециклирайте го в пункт за рециклиране за електрическо и електронно оборудване. Това помага

да се предотврати увреждане на околната среда или на хора.

Говорете с местните власти, услугите за битови отпадъци и Вашия дилър за повече информация.

(Фиг. 18)

Забележка: Символът е на продукта или на опаковката на продукта.

Технически данни

Технически характеристики

	Aspire T28-P4A
Двигател	
Тип на двигателя	PMDC
Скорост на изходния вал, об/мин	6800
Ширина на рязане, mm	280
Тегло	
Тегло без акумулаторна батерия, kg	2,6
Тегло с акумулаторна батерия (P4A 18-B45 / P4A 18-B70), kg	3,0/3,3
Шумови емисии ⁴	
Ниво на звуковата мощност, измерено, измерена dB (A)	85
Ниво на звуковата мощност, гарантирано L _{WA} dB (A)	88
Нива на шума ⁵	
Еквивалентно ниво на звуковото налягане при ухото на оператора, измерено съгласно EN ISO 50636-2-91, dB (A)	73
Нива на вибрациите ⁶	
Нива на вибрациите в ръкохватките, измерени съгласно EN50636-2-91, m/s ²	2,26/1,61
Оборудван с тримерна глава (оригинална), отпред/отзад.	

⁴ Емисии на шума в околната среда, измерени като звукова мощност (L_{WA}) в съответствие с директива на ЕО 2000/14/ЕО. Разликата между гарантираното и измереното ниво на шума е в това, че гарантираното ниво на шума включва също и дисперсията в резултата от измерването, както и вариациите между различните продукти от един и същи модел в съответствие с Директива 2000/14/ЕО.

⁵ Отчетените данни за еквивалентното ниво на звуковото налягане за продукта имат типична статистическа дисперсия (стандартно отклонение) от 3 dB (A).

⁶ Отчетените данни за нивото на вибрациите имат типична статистическа дисперсия (стандартно отклонение) от 1,5 m/s².

Акумулаторна батерия	P4A 18-B45	P4A 18-B72
Тип	Литиевойонен	Литиевойонен
Капацитет на акумулаторната батерия, Ah	Направете справка с лепенката с номинални стойности на акумулаторната батерия	Направете справка с лепенката с номинални стойности на акумулаторната батерия
Номинално напрежение, V	18	18
Тегло, kg	0,4	0,7

Зарядно устройство за акумулатора	P4A 18-C70
Напрежение на мрежата, V	220 – 240
Честота, Hz	50 – 60
Мощност, W	70
Изходно напрежение, V прав ток/ амperi, A	14,4 – 18/3

Принадлежности

Одобрени принадлежности

Одобрени принадлежности	Тип	Предпазител на рѐжеца приставка, арт. №
Тримерна глава	A15B M5 (Ø 1,6 mm шнур)	536 47 32-01

Декларация за съответствие

Декларация за съответствие на ЕС

Ние, **Husqvarna AB**, SE-561 82 Huskvarna, Швеция,
тел.: +46-36-146500, декларираме на своя собствена
отговорност, че продуктът:

Описание	Акумулаторен тример за трева
Марка	Husqvarna
Тип/модел	Aspire T28-P4A
Идентификация	Серийни номера от 2023 и нататък

отговаря напълно на следните директиви и
регламенти на ЕС:

Директива/ регламент	Описание
2006/42/EO	"относно машините"
2014/30/EC	"относно електромагнитната съвместимост"
2000/14/EO	"относно шумовите емисии в околната среда"
2011/65/EC	"по отношение на ограничението за използване на определени опасни вещества в електрическо и електронно оборудване"

и че следните стандарти и/или технически
спецификации са приложени: EN 60335-1:2012/
A15:2021, EN 50636-2-91:2014, EN IEC 63000:2018,
EN IEC 55014-1:2021; EN IEC 55014-2:2021.

Упълномощен орган: 0158 DEKRA Testing and
Certification GmbH, Handwerkstraße 15, 70565
Stuttgart, Germany, сертифицира за съответствие
с Директива на съвета 2000/14/EO, процедура за
оценка на съответствието: приложение VI.

За информация относно шумовите емисии
направете справка с *Технически данни на страница
44*.

Huskvarna, 2023-12-14



Claes Losdal, Мениджър по развойна дейност,
Husqvarna AB

Отговорен за техническата документация



Лицензи

Авторско право © 2012 – 2020 г. STMicroelectronics

Гаранцията не покрива дефекти, които са в резултат от нормално износване, небрежност, неправилна употреба, неоторизиран ремонт или ако смукателният апарат е свързан към неправилно напрежение.

Всички права запазени.

Повторното разпространение и използването в изходна и двоична форма, със или без модификация, са разрешени, при условие че са изпълнени следните условия:

- Повторното разпространение на изходния код трябва да запазва горното уведомление за авторските права, настоящият списък с условия и следния отказ от отговорност.
- Повторното разпространение в двоична форма трябва да възпроизвежда горното уведомление за авторските права, настоящият списък с условия и следния отказ от отговорност в документацията и/или други материали, предоставени с разпространението.
- Нито името на STMicroelectronics, нито имената на неговите сътрудници може да бъдат използвани за одобрение или популяризиране на продукти, получени от този софтуер, без специално предварително писмено разрешение.

ТОЗИ СОФТУЕР СЕ ПРЕДОСТАВЯ ОТ ПРИТЕЖАТЕЛИТЕ НА АВТОРСКИТЕ ПРАВА И СЪТРУДНИЦИТЕ В "НАСТОЯЩО СЪСТОЯНИЕ" И СЕ ОТХВЪРЛЯТ ВСЯКАКВИ ИЗРИЧНИ ИЛИ КОСВЕНИ ГАРАНЦИИ, ВКЛЮЧИТЕЛНО, НО НЕ САМО, КОСВЕНИ ГАРАНЦИИ ЗА ТЪРГОВСКИ КАЧЕСТВА И ПРИГОДНОСТ ЗА ОПРЕДЕЛЕНА ЦЕЛ. В НИКАКЪВ СЛУЧАЙ СОБСТВЕНИКЪТ НА АВТОРСКИТЕ ПРАВА ИЛИ СЪТРУДНИЦИТЕ НЕ НОСЯТ ОТГОВОРНОСТ ЗА ПРЕКИ, КОСВЕНИ, СЛУЧАЙНИ, СПЕЦИАЛНИ, ТИПИЧНИ ИЛИ ПОСЛЕДВАЩИ ЩЕТИ (ВКЛЮЧИТЕЛНО, НО НЕ САМО, ПОЛУЧАВАНЕ НА ЗАМЕСТВАЩИ СТОКИ ИЛИ УСЛУГИ; ЗАГУБА НА ВЪЗМОЖНОСТ ЗА УПОТРЕБА, ДАНИИ ИЛИ ПОЛЗИ; ИЛИ ПРЕКЪСВАНЕ НА ТЪРГОВСКАТА ДЕЙНОСТ), НЕЗАВИСИМО ОТ ПРИЧИНАТА И ВИДА ОТГОВОРНОСТ, НЕЗАВИСИМО ДАЛИ ПО ДОГОВОР, ОБЕКТИВНА ОТГОВОРНОСТ ИЛИ УВРЕЖДАНЕ (ВКЛЮЧИТЕЛНО НЕБРЕЖНОСТ ИЛИ ДРУГО), ПРОИЗТИЧАЩИ ПО НЯКАКЪВ НАЧИН ОТ ИЗПОЛЗВАНЕТО НА ТОЗИ СОФТУЕР, ДОРИ ПРИ УВЕДОМЯВАНЕ ЗА ВЪЗМОЖНОСТТА ЗА ТАКИВА ЩЕТИ.

Лиценз на Apache 2.0

Авторско право © 2009 – 2019 г. Arm Limited. Всички права запазени.

Версия 2.0, януари 2004 г., <http://www.apache.org/licenses/>

ПРАВИЛА И УСЛОВИЯ ЗА ИЗПОЛЗВАНЕ, ВЪЗПРОИЗВЕЖДАНЕ И РАЗПРОСТРАНЕНИЕ

1. Определения.

"Лиценз" означава правилата и условията за използване, възпроизвеждане и разпространение, определени в раздели от 1 до 9 от настоящия документ. "Лицензодател" означава собственикът на авторските права или субектът, упълномощен от собственика на авторските права, който предоставя Лиценза. "Юридическо лице" означава обединението на действащия субект и всички други субекти, които контролират, се контролират от или са под общ контрол с този субект. За целите на това определение "контрол" означава (i) властта, пряка или непряка, да се ръководи или управлява такъв субект, независимо дали чрез договор или по друг начин, или (ii) собственост върху петдесет процента (50%) или повече от акциите в обръщение, или (iii) бенефициерна собственост на такъв субект. "Вие" (или "Ваш") означава физическото или Юридическо лице, упражняващо разрешението, предоставени от настоящия Лиценз.

"Изходна" форма означава предпочитаната форма за извършване на модификации, включително, но не само, изходен код на софтуер, източник на документация и конфигурационни файлове.

"Обектна" форма означава всяка форма, получена в резултат на механична трансформация или превод на Изходна форма, включително, но не само, компилиран обектен код, генерирана документация и преобразувания в други видове носители. "Произведение" означава авторското произведение, независимо дали е в Изходна или Обектна форма, предоставено по силата на Лиценза, както е посочено от уведомлението за авторските права, което е включено в или приложено към произведението (пример е даден в приложението по-долу).

"Производни произведения" означава всяко произведение, независимо дали е в Изходна, или Обектна форма, което се основава на (или произлиза от) Произведението и за което редакциите, поясненията, уточненията или други модификации представляват като цяло оригинално авторско произведение. За целите на настоящия Лиценз Производните произведения не включват произведения, които остават отделни или просто се свързват (или обвързват по име) с интерфейсите на Произведението и Производните произведения от него. "Принос" означава всяко авторско произведение, включително оригиналната версия на Произведението и всички модификации или добавки към това Произведение или Производни произведения от него, които са умишлено предоставени на Лицензодателя за

включване в Произведението от собственика на авторските права или от физическо лице или Юридическо лице, упълномощено да предоставя от името на собственика на авторските права. За целите на това определение **"предоставено"** означава всяка форма на електронна, устна или писмена комуникация, изпратена до Лицензодателя или негови представители, включително, но не само, комуникация в списъци за електронна поща, системи за контрол на изходния код и системи за проследяване на проблеми, които се управляват от или от името на Лицензодателя с цел обсъждане и подобряване на Произведението, но с изключение на комуникация, която е видимо маркирана или по друг начин обозначена писмено от собственика на авторските права като **"Не е принос"**. **"Сътрудник"** означава Лицензодател и всяко физическо или Юридическо лице, от чието име Лицензодателят е получил Принос, който впоследствие включен в Произведението.

2. Предоставяне на Лиценз за авторските права.

Съгласно правилата и условията на настоящия Лиценз всеки Сътрудник Ви предоставя постоянен, международен, неизключителен, безплатен, безвъзмезден, неотменим лиценз за авторските права за възпроизвеждане, изготвяне на Производни произведения, публично показване, публично изпълнение, претостъпване и разпространение на Произведението и такива Производни произведения в Изходна или Обектна форма.

3. Предоставяне на патентен Лиценз.

Съгласно правилата и условията на настоящия Лиценз всеки сътрудник Ви предоставя постоянен, международен, неизключителен, безплатен, безвъзмезден, неотменим (освен посоченото в този раздел) патентен лиценз за изготвяне, използване, предлагане за продажба, продажба, внос или друго прехвърляне на Произведението, като такъв лиценз се прилага само за онова патентно съдържание, лицензируемо от Сътрудника, което неизбежно е нарушено от неговия(те) Принос(и) самостоятелно или чрез комбинация от неговия(те) Принос(и) и Произведението, към което е/са бил(и) предоставен(и) такъв/такива Принос(и). Ако заведете патентно дело срещу който и да било субект (включително насрещен иск или насрещен иск в съдебен процес), твърдейки, че Произведението или Приносът, включен в Произведението, представлява пряко или съпричастно нарушение на патент, тогава всички патентни лицензи, предоставени Ви съгласно настоящия Лиценз за това Произведение, ще бъдат прекратени, считано от датата на завеждане на съдебния спор.

4. Повторно разпространение.

Може да възпроизведате и разпространявате копия на Произведението или Производните му произведения на всеки носител със или без

модификации и в Изходна или Обектна форма, при условие че отговаряте на следните условия:

- Трябва да дадете на всички други получатели на Произведението или Производните произведения копие от настоящия Лиценз; и
- Всички модифицирани файлове трябва да съдържат видими уведомления, в които се посочва, че сте променили файловете; и – трябва да запазите в Изходната форма на всички Производни произведения, които разпространявате, всички уведомления за авторските права, патентите, търговските марки и съотнасянията от Изходната форма на Произведението, с изключение на тези уведомления, които не се отнасят до никоя част на Производните произведения; и
- Ако Произведението включва текстов файл **"УВЕДОМЛЕНИЕ"** като част от своето разпространение, тогава всички Производни произведения, които разпространявате, трябва да включват четливо копие на уведомленията за съотнасянията, съдържащи се в такъв файл за УВЕДОМЛЕНИЕ, с изключение на онези уведомления, които не се отнасят до никоя част от Производните произведения, на поне едно от следните места: в рамките на текстов файл за УВЕДОМЛЕНИЕ, разпространяван като част от Производните произведения; в рамките на Изходната форма или документация, ако е предоставена заедно с Производните произведения; или в рамките на дисплей, генериран от Производните произведения, ако и навсякъде, където такива уведомления на трети страни обикновено се появяват. Съдържанието на файла за УВЕДОМЛЕНИЕ е само за информационни цели и не променя Лиценза. Може да добавите Ваши собствени уведомления за съотнасянията в рамките на Производните произведения, които разпространявате, заедно или като допълнение към текста на УВЕДОМЛЕНИЕТО от Произведението, при условие че такива допълнителни уведомления за съотнасянията не могат да се тълкуват като изменение на Лиценза. Може да добавите Ваша собствена декларация за авторските права към Вашите модификации и може да предоставите допълнителни или различни лицензионни правила и условия за използване, възпроизвеждане или разпространение на Вашите модификации или за всякакви Производни произведения като цяло, при условие че използването, възпроизвеждането и разпространението от Ваша страна на Произведението по друг начин отговаря на условията, посочени в настоящия Лиценз.

5. Предоставяне на Приноси.

Освен ако не посочите изрично друго, всеки Принос, умишлено предоставен за включване в Произведението от Вас на Лицензодателя, ще бъде съгласно правилата и условията на настоящия

Лиценз без никакви допълнителни правила или условия. Независимо от посоченото по-горе, нищо от съдържащото се в настоящия документ няма да замести или да промени условията на всяко отделно лицензионно споразумение, което може да сте сключили с Лицензодателя по отношение на таква Приноси.

6. Търговски марки.

Настоящият Лиценз не дава разрешение за използване на търговските наименования, търговските марки, марките на услугите или имената на продуктите на Лицензодателя, освен когато се изисква за разумна и обичайна употреба при описание на произхода на Произведението и възпроизвеждане на съдържанието на файла за УВЕДОМЛЕНИЕ.

7. Отказ от отговорност от гаранцията.

Освен ако не се изисква от приложимото законодателство или не е договорено в писмена форма, Лицензодателят предоставя Произведението (и всеки Сътрудник предоставя своите Приноси) на БАЗА "НАСТОЯЩО СЪСТОЯНИЕ" БЕЗ ГАРАНЦИИ ИЛИ УСЛОВИЯ ОТ КАКЪВТО И ДА БИЛО ВИД, изрични или косвени, включително, без ограничение, всякакви гаранции или условия за СОБСТВЕНОСТ, ОТСЪСТВИЕ НА НАРУШЕНИЯ, ТЪРГОВСКИ КАЧЕСТВА или ПРИГОДНОСТ ЗА ОПРЕДЕЛЕНА ЦЕЛ. Вие носите цялата отговорност за определяне на целесъобразността на използването или повторното разпространение на Произведението и поемате всички рискове, свързани с упражняването на разрешенията по настоящия Лиценз. 8. Ограничение на отговорността. В никакъв случай и

съгласно никаква законодателна база, независимо дали при увреждане (включително небрежност), по договор, или по друг начин, освен ако не се изисква от приложимото законодателство (като например умишлени и грубо небрежни действия) или договорено в писмен вид, който и да било Сътрудник не носи отговорност пред Вас за щети, включително преки, косвени, специални, случайни или последващи щети от всякакъв характер, произтичащи в резултат на настоящия Лиценз или извън употребата или невъзможността за употреба на Произведението (включително, но не само, щети, свързани със загуба на репутация, спиране на работа, повреда или неизправност на компютъра, или всички други търговски щети или загуби), дори ако Сътрудникът е бил уведомен за възможността от таква щети.

9. Приемане на гаранция или допълнителна отговорност.

При повторно разпространение на Произведението или Производните произведения от него Вие може да изберете да предложите и да начислите такса за приемане на поддръжка, гаранция, обезщетение или други задължения и/или права за отговорност в съответствие с настоящия Лиценз. Въпреки това при приемането на таква задължения Вие може да действате само от свое име и на своя лична отговорност, а не от името на който и да било Сътрудник, и само ако сте съгласни да обезщетите, защитите и предпазите всеки Сътрудник от всяка понесена отговорност или предявени искиове срещу такъв Сътрудник поради приемането от Ваша страна на такава гаранция или допълнителна отговорност. КРАЙ НА ПРАВИЛАТА И УСЛОВИЯТА

Obsah

Úvod.....	49	Přeprava, skladování a likvidace.....	63
Bezpečnost.....	51	Technické údaje.....	63
Montáž.....	58	Příslušenství.....	65
Provoz.....	58	Prohlášení o shodě.....	66
Údržba.....	60	licence.....	67
Odstraňování problémů.....	62	Příloha	507

Úvod

Popis výrobku

Husqvarna Aspire T28-P4A je akumulátorový vyžinač s elektrickým motorem.

Nepřetržitě pracujeme na tom, abychom zvýšili vaši bezpečnost a efektivitu při používání. Další informace získáte u svého prodejce poskytujícího servis.

Doporučené použití

Výrobek se používá se strunovou hlavou k sečení trávy. Nepoužívejte výrobek k jiným činnostem, než je vyžínání trávy a travního porostu.

Povšimněte si: Věk pro používání výrobku může být omezen místními předpisy.

Stručná příručka

Naskenujte kód QR a zjistěte, jak výrobek používat.

Popis výrobku

(Obr. 1)

1. Strunová hlava
2. Kryt řezacího nástavce
3. Ramínko na ochranu rostlin
4. Nastavení hřídele (teleskopické)
5. Hřídel
6. Držadlo ve tvaru „D“
7. Kryt pro údržbu
8. Tlačítko pro seřízení držadla ve tvaru „D“
9. Uživatelské rozhraní
10. Varovná kontrolka
11. Ukazatel stavu nabití
12. Vypínač
13. Páčka spínače
14. Pojistka páčky spínače
15. Baterie (P4A 18-B45)
16. Tlačítko pro uvolnění baterie
17. Baterie (P4A 18-B72)
18. Nabíječka baterií (P4A 18-C70)
19. Konektor
20. Indikátor napájení a výstražný indikátor
21. Kombinovaný nástroj
22. Nástěnný hák
23. Šrouby a hmoždinky pro nástěnný hák
24. Návod k používání

Symbole na výrobku

- (Obr. 2) VAROVÁNÍ: Tento výrobek může být nebezpečný a způsobit obsluze či dalším osobám vážné zranění. Buďte opatrní a výrobek používejte správně.
- (Obr. 3) Před použitím si pozorně prostudujte tento návod k používání a nepoužívejte výrobek, pokud návodu zcela nerozumíte.
- (Obr. 4) Používejte ochranu očí.
- (Obr. 5) Nevystavujte dešti.
- (Obr. 6) Štítek s emisemi hluku do okolí podle směrnic a předpisů Evropské unie a Spojeného království a nařízení o regulaci hluku v australském Novém Jižním Walesu „Protection of the Environment Operations (Noise Control) Regulation 2017“. Garantovaná hladina akustického výkonu tohoto výrobku je uvedena v části *Technické údaje na straně 63*.

(Obr. 20)

(Obr. 7)

Před údržbou odpojte baterii.

(Obr. 8)

Výrobek ani obal výrobku nelze zlikvidovat jako domácí odpad. Odevzdejte jej ve stanici pro recyklaci elektrických a elektronických zařízení.

(Obr. 9)

Dávejte pozor na odmrštěné předměty.

(Obr. 10)

Nepoužívejte kovové nože.

(Obr. 11)

Výrobek odpovídá příslušným směrnicím EU.

(Obr. 12)

Výrobek vyhovuje platným předpisům Spojeného království.

(Obr. 13)

Stejnoseměrný proud.

(Obr. 17)

Vzdálenost mezi strojem a přihlížejícími osobami musí být nejméně 15 m.

yyyywwxxxx

Typový štítek s výrobním číslem nebo natištěné číslo. **yyyy** znamená rok výroby a **ww** znamená týden výroby.

Symbole na výrobku

- (Obr. 2) VAROVÁNÍ: Tento výrobek může být nebezpečný a způsobit obsluze či dalším osobám vážné zranění. Buďte opatrní a výrobek používejte správně.
- (Obr. 3) Před použitím si pozorně prostudujte tento návod k používání a nepoužívejte výrobek, pokud návodu zcela nerozumíte.
- (Obr. 4) Používejte ochranu očí.
- (Obr. 5) Nevystavujte dešti.
- (Obr. 6) Štítek s emisemi hluku do okolí podle směrnic a předpisů EU a Spojeného království (také podle legislativy v australském Novém Jižním Walesu). Údaje o emisích hluku naleznete na štítku stroje a v kapitole Technické údaje.
- (Obr. 7) Před údržbou odpojte baterii.

(Obr. 8) Výrobek ani obal výrobku nelze zlikvidovat jako domácí odpad. Odevzdejte jej ve stanici pro recyklaci elektrických a elektronických zařízení.

(Obr. 9) Dávejte pozor na odmrštěné předměty.

(Obr. 10) Nepoužívejte kovové nože.

(Obr. 11) Výrobek odpovídá příslušným směrnicím EU.

(Obr. 13) Stejnoseměrný proud.

(Obr. 17) Vzdálenost mezi strojem a přihlížejícími osobami musí být nejméně 15 m.

yyyywwxxxxx Typový štítek s výrobním číslem nebo natištěné číslo. **yyyy** znamená rok výroby a **ww** znamená týden výroby.

Symbole na baterii nebo na nabíječe baterií

(Obr. 18) Odevzdejte výrobek ve stanici pro recyklaci elektrických a elektronických zařízení. (Platí pouze pro Evropu)

(Obr. 19) Baterii používejte pouze ve výrobcích od partnerů systému POWER FOR ALL.

(Obr. 14) Transformátor se zabezpečením proti selhání.

(Obr. 15) Nabíječku baterií používejte a skladujte pouze ve vnitřních prostorech.

(Obr. 16) Dvojitá izolace.

Poškození výrobku

Neneseme odpovědnost za poškození výrobku, pokud:

- byl výrobek nesprávně opraven.
- byl výrobek opraven pomocí součástí od jiného výrobce nebo součástí, které nejsou výrobcem schváleny.
- má výrobek příslušenství od jiného výrobce nebo příslušenství, které není výrobcem schváleno.
- výrobek nebyl opraven ve schváleném servisním středisku nebo schváleným odborníkem.

Výrobce

Husqvarna AB
SE-561 82, Huskvarna, Sweden

Bezpečnost

Definice týkající se bezpečnosti

Varování, upozornění a poznámky slouží jako upozornění na specifické důležité části návodu.



VÝSTRAHA: Používá se v případě nebezpečí úrazu nebo usmrcení obsluhy nebo okolních osob, pokud nejsou dodrženy pokyny uvedené v této příručce.



VAROVÁNÍ: Používá se v případě nebezpečí poškození výrobku, dalších materiálů či škod na majetku v blízkém okolí, pokud nejsou dodrženy pokyny uvedené v této příručce.

Povšimněte si: Používá se k poskytnutí dalších informací, které jsou nezbytné v dané situaci.

Obecné bezpečnostní výstrahy pro elektrické nářadí



VÝSTRAHA: Pozorně si přečtěte všechna bezpečnostní upozornění a pokyny. Při nedodržení upozornění a pokynů může dojít k úrazu elektrickým proudem, požáru nebo vážnému poranění.

Povšimněte si: Uložte si veškerá upozornění a pokyny pro použití v budoucnu. Termín „elektrický nástroj“ v upozorněních označuje buď nástroj napájený ze sítě (kabelem), nebo napájený baterií (bezdrátový).

Kontrola před startem

- Aby nemohlo dojít k nechtěnému spuštění výrobku, vždy vyjímejte baterii. Před údržbou výrobku vždy vyjmete baterii.

- Před použitím výrobku a po každém nárazu zkontrolujte, zda nevykazuje známky opotřebení a v případě potřeby proveďte nutné opravy.
- Zkontrolujte pracovní prostor. Odstraňte veškeré volné předměty, jako jsou kameny, střepy, hřebíky, ocelové dráty, šňůry apod., které by mohly být odmrštěny nebo zachyceny sekacím zařízením nebo krytem sekacího zařízení.
- Zkontrolujte, zda není znečištěný motor, nebo zda na něm nejsou nějaké praskliny. Pomocí kartáče z motoru očistěte trávu a listí. V případě potřeby použijte rukavice.
- Zkontrolujte, zda je žací hlavice zcela připojena k vyžinači.
- Zkontrolujte, zda je výrobek v perfektním provozním stavu. Zkontrolujte, zda jsou všechny matice a šrouby dotažené.
- Zkontrolujte strunovou hlavu a kryt vyžinače, zda nejsou poškozeny nebo nemají trhlinky. Vyměňte strunovou hlavu nebo kryt vyžinače, byly-li vystaveny úderu nebo mají-li trhlinky. Vždy používejte doporučený kryt pro řezací nástavec, který používáte. Viz kapitolu Technické údaje.
- Uživatel výrobku je povinen dohlédnout na to, aby se během práce nevykytovaly v okruhu 15 metrů žádné osoby a zvířata. Pokud na stejném pracovišti pracuje více uživatelů, musí být udržována bezpečnostní vzdálenost nejméně 15 metrů.
- Před použitím důkladně zkontrolujte celý výrobek. Viz plán údržby.
- Použití může být upraveno národními nebo místními předpisy. Dodržujte příslušné předpisy.

Bezpečnost pracovního prostoru

- **Udržujte pracovní prostor čistý a dobře osvětlený.** Přeplněné či tmavé prostory nahrávají nehodám.
- **Nepoužívejte elektrické nástroje ve výbušném prostředí, například v přítomnosti hořlavých kapalin, plynů či prachu.** Elektrické nástroje vytvářejí jiskry, které mohou zapálit prach nebo výpary.
- **Při práci s elektrickým nástrojem musí být děti i okolostojící osoby v dostatečné vzdálenosti.** Rozptýlení může způsobit, že ztratíte kontrolu nad nástrojem.

Bezpečnost při používání el. energie

- **Zástrčky elektrických nástrojů musí odpovídat elektrické zásuvce. Nikdy zásuvku žádným způsobem neupravujte. U uzemněných elektrických nástrojů nepoužívejte žádné adaptéry.** Původní zástrčky a odpovídající zásuvky snižují nebezpečí úrazu elektrickým proudem.
- **Zabraňte tělesnému kontaktu s uzemněnými povrchy, např. trubkami, radiátory, sporáky a chladničkami.** Pokud je lidské tělo uzemněno, hrozí větší nebezpečí úrazu el. proudem.
- **Nevystavujte elektrické nástroje dešti nebo působení vlhkosti.** Pokud do elektrického nástroje vnikne voda, zvyšuje se nebezpečí úrazu elektrickým proudem.

- **Nezacházejte hrubě s napájecím kabelem. Nikdy elektrický nástroj nenoste za kabel. Za kabel netahajte a neodpojujte nástroj od sítě taháním za kabel. Nevystavujte napájecí kabel působení tepla, oleje, nepoškozte ho ostrými hranami nebo pohyblivými částmi.** Poškozený nebo ohnutý kabel zvyšuje nebezpečí úrazu elektrickým proudem.
- **Při používání elektrického nástroje venku použijte prodlužovací kabel určený pro venkovní použití.** Použití kabelu určeného pro venkovní použití snižuje nebezpečí úrazu elektrickým proudem.
- **Pokud je nezbytné pracovat s el. nástrojem ve vlhkém prostředí, použijte zdroj s proudovým chráničem.** Použití proudového chrániče snižuje nebezpečí úrazu elektrickým proudem.

Osobní bezpečnost

- **Při práci s elektrickým nástrojem dávejte pozor, sledujte, co děláte a používejte zdravý rozum. Nepracujte s elektrickým nástrojem, pokud jste unaveni nebo jste pod vlivem drog, alkoholu či léků.** Při práci s elektrickým nástrojem stačí okamžik nepozornosti a následkem může být vážný úraz.
- **Používejte osobní ochranné pomůcky. Vždy používejte ochranu zraku.** Ochranné vybavení, např. protiprachová maska, neklouzavá ochranná obuv, přílba nebo ochrana sluchu, použité správným způsobem snižují nebezpečí úrazu.
- **Zabraňte náhodnému spuštění. Před připojením k el. napájení nebo vložením baterií, zvednutím nebo nošením nástroje se přesvědčte, že je vypínač v poloze vypnuto.** Přenášením elektrických nástrojů s prstem na spoušti nebo zapnutých elektrických nástrojů nahráváte nehodám.
- **Před zapnutím el. nástroje vyjměte jakýkoli seřizovací klíč nebo klíč na matice.** Klíč ponechaný na rotující části el. nástroje může způsobit úraz.
- **Nenatahujte se příliš daleko. Neustále pevně stůjte a držte rovnováhu.** Budete tak mít lepší kontrolu nad nástrojem v neočekávaných situacích.
- **Noste vhodný oděv. Nenoste volně obléčené ani šperky. Udržujte vlasy a oděv mimo dosah pohyblivých částí.** Pohyblivé části mohou zachytit volný oděv, šperky nebo dlouhé vlasy.
- **Pokud jsou zařízení přizpůsobena pro připojení odsávačů a lapačů prachu, musí být připojeny a správně použity.** Použitím lapačů prachu snižujete rizika spojená s výskytem prachu.
- **Nedovoďte, aby rutina nabytá častým používáním nástrojů způsobila, že začnete být neopatrní a budete ignorovat bezpečnostní zásady při zacházení s nástrojem.** Neopatrný úkon může způsobit vážné zranění ve zlomku sekundy.
- **Emise vibrací během skutečného používání elektrického nástroje se mohou lišit od deklarované celkové hodnoty podle způsobu použití nástroje.** Uživatelé musí podniknout bezpečnostní opatření, která je ochrání, založená na odhadu rizik při skutečných podmínkách během používání (musí vzít v úvahu všechny části provozního cyklu, kromě

zapínání např. také vypínání a běh stroje ve volnoběžných otáčkách).

Použití elektrických nástrojů a péče o ně

- Při práci s elektrickými nástroji **nepoužívejte násilí. Používejte správný elektrický nástroj pro danou aplikaci.** Správný elektrický nástroj vykoná práci lépe a bezpečněji rychlostí, pro kterou byl navržen.
- **Nepoužívejte el. nástroj, pokud nefunguje vypínač pro zapnutí a vypnutí.** Každý elektrický nástroj, který nelze ovládat vypínačem, je nebezpečný a musí se opravit.
- **Před jakýmkoli nastavováním, výměnou příslušenství nebo uložením elektrického nástroje odpojte zástrčku od napájení nebo vytáhněte z nástroje baterie, pokud je to možné.** Takováto preventivní bezpečnostní opatření snižují riziko náhodného spuštění el. nástroje.
- **Nepoužívané el. nástroje ukládejte mimo dosah dětí a nedovolte, aby s nástrojem pracovaly osoby, které ho dobře neznají nebo si nepřčetly tento návod k použití nástroje.** Elektrické nástroje jsou v rukou neproškolených uživatelů nebezpečné.
- **Udržujte elektrické nástroje a příslušenství. Kontrolujte chybné zarovnání nebo spojení pohyblivých částí, rozbití jakýchkoli částí nebo jiné stavy, které mohou ovlivnit provoz elektrického nástroje. Pokud je elektrický nástroj poškozen, nechte ho opravit.** Mnohé nehody jsou způsobeny špatnou údržbou elektrických nástrojů.
- **Udržujte řezací nástroje ostré a čisté.** Správně udržované řezací nástroje s ostrým ostřím jsou méně náchylné k „zakousnutí“ a snadněji se ovládají.
- **Používejte elektrický nástroj, příslušenství a vsazené nože podle těchto pokynů. V úvahu je třeba brát pracovní podmínky a prováděnou práci.** Použitím elektrického nástroje k jinému účelu, než pro který je určen, může mít za následek vznik nebezpečné situace.
- **Rukojeti a uchopovací plochy udržujte suché, čisté a bez zbytků oleje a maziva.** Kluzké rukojeti a uchopovací plochy neumožňují bezpečné ovládání a v neočekávaných situacích může dojít ke ztrátě kontroly.

Použití nástrojů napájených z baterie a péče o ně

- **Baterii dobíjejte pouze nabíječkou specifikovanou výrobcem.** Použití nabíječky vhodné pro jeden typ baterie může pro jiný typ baterie představovat nebezpečí vzniku požáru.
- **Výrobky používejte pouze s příslušnými speciálními bateriovými moduly.** Při použití jakékoli jiné baterie hrozí riziko úrazu a požáru.
- **Když baterii nepoužíváte, udržujte ji stranou od kovových předmětů, např. kancelářských sponek, mincí, klíčů, hřebíků, šroubů nebo jiných malých kovových předmětů, které by mohly spojit kontakty**

baterie. Při zkratování kontaktů baterie může dojít k popáleninám nebo k požáru.

- **V nevhodných podmínkách může dojít k vytečení kapaliny z baterie; vyvarujte se kontaktu s kapalinou.** Pokud dojde k náhodnému kontaktu, opláchněte postižené místo vodou. Při zasažení očí kapalinou **vyhledejte lékařskou pomoc.** Kapalina vyteklá z baterie může způsobit podráždění nebo popálení.
- **Nepoužívejte poškozenou nebo upravenou baterii nebo výrobek.** Poškozené nebo upravené baterie mohou vykazovat neočekávané chování vedoucí k požáru, výbuchu nebo nebezpečí poranění.
- **Nevystavujte baterii ani nástroj ohni a nadměrným teplotám.** Vystavení ohni a teplotám nad 130 °C / 265°F může způsobit explozi.
- **Dodržujte veškeré pokyny k nabíjení a nenabíjejte baterii ani nástroj mimo rozsah teplot uvedený v pokynech.** Nesprávné nabíjení nebo nabíjení při teplotách mimo uvedený rozsah může mít za následek poškození baterie a zvýšené nebezpečí požáru.

Servis

- **Servis elektrického nástroje smí provádět pouze kvalifikovaná osoba za použití identických náhradních součástek.** Tím bude zajištěna bezpečnost elektrického nástroje.
- **Nikdy neprovádějte servis poškozených baterií.** Servis baterií smí provádět pouze výrobce nebo autorizovaný servis.

Vždy používejte zdravý rozum

Není možné zmínit všechny představitelné situace, se kterými se můžete setkat. Buďte stále opatrní a používejte zdravý rozum. Vyhnete se všem situacím, o kterých se domníváte, že jsou nad vaše možnosti. Pokud si ani po přečtení tohoto návodu nebudete jisti, jak stroj správně používat, než budete pokračovat v práci, obraťte se na odborníka.



VÝSTRAHA: Nenechte nikdy děti používat stroj nebo se zdržovat v jeho blízkosti. Jelikož lze zařízení snadno spustit, mohou jej spustit i děti, pokud nejsou celou dobu pod dozorem. Tím může dojít k nebezpečí vážného úrazu. Proto ze zařízení v době, kdy není plně pod dozorem, vždy vyjmějte baterii.

Obecné bezpečnostní pokyny



VÝSTRAHA: Před použitím výrobku si přečtěte následující varování.

- Vyjměte baterii, aby nedošlo k nechtěnému spuštění výrobku.
- Při neopatrném nebo nesprávném použití se stává tento výrobek velmi nebezpečným nástrojem. Tento

výrobek může způsobit obsluze a dalším osobám vážné zranění.

- Pokud se změně původní specifikace výrobku, nepoužívejte ho. Bez schválení výrobcem neměňte žádné součásti výrobku. Používejte výhradně díly schválené výrobcem. Nesprávná údržba může mít za následek zranění nebo smrt.
- Před použitím výrobek zkontrolujte. Viz část *Kontrola před startem na strani 51* a *Před použitím výrobku na strani 58*. Nepoužívejte výrobek, který je poškozený nebo nefunguje správně. Dodržujte pokyny pro kontrolu, údržbu a servis popsané v této příručce.
- Děti by měly být pod dozorem, aby si s výrobkem nehrály. Výrobek ani baterii nikdy nedovolte používat dětem nebo osobám, které nejsou k jejich používání vyškoleny. Věk obsluhy může být upraven místními zákony.
- Skladujte výrobek na uzamčeném místě, aby se zamezilo přístupů dětí a neoprávněných osob.
- Výrobek uchovávejte mimo dosah dětí.
- Konstrukce produktu nesmí být za žádných okolností upravována bez svolení výrobce. Vždy používejte originální příslušenství. Nepovolené úpravy nebo příslušenství mohou vést k vážnému nebo smrtelnému zranění obsluhy nebo jiných osob.

Povšimněte si: Použití může být upraveno národními nebo místními předpisy. Dodržujte příslušné předpisy.

Bezpečnostní pokyny pro provoz



VÝSTRAHA: Před použitím výrobku si přečtěte následující varování.

- **Stroj nepoužívejte při špatném počasí, zvláště pokud hrozí riziko blesku.** Snížíte tak riziko zasažení bleskem.
- **Důkladně zkontrolujte, zda se v prostoru, kde chcete stroj používat, nenachází žádná zvířata.** Během provozu může dojít ke zranění divoké zvěře.
- **Důkladně zkontrolujte prostor, kde chcete stroj používat, a odstraňte kameny, klacky, dráty, kosti a další předměty.** Odmrštěné předměty mohou způsobit zranění.
- **Před použitím stroj vždy pečlivě prohlédněte a zkontrolujte, zda není poškozen zastříhovač nebo žací ústrojí.** Poškozené součásti zvyšují riziko poranění.
- **Ochranné kryty stroje musí být vždy připevněny. Ochranné kryty musí být v pořádku a správně připevněny.** Pokud je ochranný kryt uvolněný, poškozený nebo nefunguje správně, může dojít ke zranění.
- **Všechny větrací otvory udržujte čisté.** Ucpané větrací otvory mohou způsobit přehřátí nebo požár.

- **Vždy používejte ochranu očí a sluchu.** Vhodné ochranné prostředky snižují riziko poranění.
- **Při manipulaci se strojem noste vždy ochrannou protiskluzovou obuv. Neprovazujte stroj naboso nebo v otevřených sandálech.** Tím snížíte riziko poranění nohou při kontaktu se sekacím zařízením, když je stroj zapnutý.
- **Při manipulaci se strojem mějte vždy dlouhé kalhoty, které zcela zakryjí vaše nohy.** Při kontaktu s ostřím či žacími strunami, když je stroj zapnutý, může dojít ke zranění.
- **Během provozu zajistěte bezpečnou vzdálenost dalších osob od stroje.** Odmrštěné úlomky mohou způsobit vážné zranění.
- **Při práci držte stroj pod úrovní pasu.** Tím zabráníte nechtěnému kontaktu s ostřím a budete mít lepší kontrolu nad strojem v neočekávaných situacích.
- **Dbejte zvýšené opatrnosti při manipulaci se strojem v mokré trávě. Stroj používejte za chůze, nikdy za běhu.** Snížíte tak riziko uklouznutí, pádu a možného úrazu.
- **Nepracujte se strojem na příliš strmých svazích.** Snížíte tak riziko ztráty kontroly, uklouznutí, pádu a možného úrazu.
- **Při práci na svazích dbejte na to, abyste stáli pevně, pohybovali se napříč svahem a nikdy ne do kopce nebo z kopce. Dbejte zvýšené opatrnosti při změně směru.** Tak snížíte riziko ztráty kontroly uklouznutí, pádu a možného úrazu.
- **Udržujte všechny napájecí a jiné kabely mimo oblast sečení.** Napájecí a další kabely se mohou nacházet v plotě či křoví a mohlo by dojít k jejich náhodnému přefíznutí ostřím či žací strunou.
- **Všechny části těla udržujte mimo dosah zastříhovače nebo žací struny zapnuté sekačky. Stroj čistěte pouze po jeho odpojení od zdroje napájení.** Zastříhovač či žací struna mohou během provozu stroje způsobit vážné zranění.
- **Stroj přenášejte, pouze pokud je vypnutý a daleko od svého těla.** Správnou manipulaci snížíte pravděpodobnost nechtěného kontaktu se zastříhovačem či žací strunou, když je stroj zapnutý.
- **Používejte pouze náhradní sekací hlavy a zastříhovače nebo žací struny určené výrobcem. Nenahrazujte zastříhovač a žací struny kovovými dráty či noži.** Nesprávné náhradní díly mohou způsobit ztrátu kontroly nad řízením, rozbití stroje a zranění.

Osobní ochranné prostředky



VÝSTRAHA: Před použitím výrobku si přečtěte následující varování.

- Při použití výrobku je nutné vždy používat schválené osobní ochranné prostředky. Osobní ochranné prostředky nemohou zcela eliminovat nebezpečí úrazu, ale v případě nehody pomáhají snížit míru

poranění. Požádejte prodejce, aby vám pomohl vybrat správné vybavení.

- Vždy používejte schválenou ochranu sluchu.

(Obr. 21)

- Vždy používejte schválenou ochranu očí. Použijete-li štít, je nutno použít i schválené ochranné brýle. Schválené ochranné brýle musí být v souladu s normou ANSI Z87.1 v USA nebo EN 166 v zemích EU.

(Obr. 22)

- Při určitých činnostech používejte rukavice, například při nasazování, prohlídce nebo čištění stříhacího zařízení.

(Obr. 23)

- Používejte ochrannou obuv s ocelovou špičkou a protiskluzovou podrážkou.

(Obr. 24)

- Noste oblečení vyrobené z pevné tkaniny. Vždy používejte silné, dlouhé kalhoty a dlouhé rukávy. Nepoužívejte volné oblečení, které se může zachytit o keře nebo větve. Nenoste šperky, krátké kalhoty nebo sandály. Nepracujte naboso. Stáhněte si vlasy bezpečně nahoru nad úroveň ramen.
- Mějte při ruce lékárníčku.

(Obr. 25)

Bezpečnostní zařízení na produktu



VÝSTRAHA: Před použitím výrobku si přečtěte následující varování.

V této části je popsáno bezpečnostní vybavení výrobku, jeho účel a způsob provádění kontroly a údržby k zajištění správného provozu. Viz pokyny v části *Úvod na strani 49* pro informace o umístění těchto dílů na výrobku.

Životnost výrobku se může zkracovat a riziko úrazů zvyšovat, jestliže se údržba neprovádí správně anebo se opravy neprovádějí odborně. Pokud potřebujete další informace, obraťte se na nejbližšího servisního prodejce.



VÝSTRAHA: Nikdy výrobek nepoužívejte s poškozenými bezpečnostními součástmi. Kontrolu a údržbu bezpečnostního vybavení výrobku je nutno provádět podle postupů uvedených v této části. V případě, že by výrobek nevyhověl při jakékoli z těchto kontrol, je nutno vyhledat autorizované servisní středisko a nechat závadu odstranit.



VAROVÁNÍ: Servis a opravy stroje vyžadují speciální odborné školení. To se zvláště týká servisu a oprav bezpečnostního

zařízení stroje. V případě, že by stroj nevyhověl při některé z níže uvedených kontrol, je nutno vyhledat servisní opravnu. Každému zákazníkovi, který zakoupí kterýkoli z našich výrobků, zaručujeme dostupnost profesionálních oprav a servisních prací. Pokud prodejce, který vám stroj prodal, neposkytuje servisní práce, požádejte jej o adresu naší nejbližší servisní opravny.

Kontrola uživatelského rozhraní

Když je výrobek zapnutý, ale není v provozu, zelené kontrolky LED (A) ukazují stav baterie.

1. Stiskněte a podržte vypínač (B). (Obr. 26)
 - a) Když zelené kontrolky LED (A) svítí, výrobek je zapnutý.
 - b) Když zelené kontrolky LED (A) nesvítí, výrobek je vypnutý.
2. Viz část *Odstraňování problémů na strani 62* pokud se rozsvítí nebo bliká varovná kontrolka (C).

Kontrola pojistky páčky spínače

Pojistka páčky spínače brání nechtěnému spuštění výrobku. Při stisknutí pojistky páčky spínače (A) se páčka spínače (B) uvolní. Při uvolnění rukojeti se páčka spínače a pojistka páčky spínače vrátí zpět do své původní polohy. (Obr. 27)

1. Je-li pojistka páčky spínače ve své původní poloze, ujistěte se, zda je páčka spínače zajištěna.

(Obr. 28)

2. Stiskněte páčku spínače a zkontrolujte, zda se po uvolnění vrátí do své výchozí polohy.

(Obr. 29)

3. Zkontrolujte, zda se páčka spínače a pojistka páčky spínače volně pohybují a zda vratná pružina funguje správně.

(Obr. 30)

4. Nastartujte výrobek. Viz část *Spuštění výrobku na strani 60*.
5. Uvolněte páčku spínače a zkontrolujte, zda se řezací nástavec zcela zastaví.

Kontrola krytu sekacího nástavce



VÝSTRAHA: Nepoužívejte sekací nástavec bez schváleného a správně upevněného krytu sekacího nástavce. Vždy používejte kryt sekacího nástavce

doporučený pro instalovaný sekací nástavec, viz *Technické údaje na strani 63*. Používání nesprávného nebo vadného krytu sekacího nástavce může vést ke zranění osob.

Kryt sekacího nástavce brání vymrštění předmětů směrem k obsluze. Kryt sekacího nástavce také brání zraněním, ke kterým může dojít, pokud přijdete do kontaktu se sekacím nástavcem.

1. Zastavte motor.
2. Proveďte vizuální kontrolu ohledně poškození, například prasklin.
3. Poškozený kryt sekacího nástavce je nutné vyměnit.

Žací ústrojí

Výběrem správného řezacího zařízení a prováděním údržby řezacího zařízení:

- Dosáhnete nejlepších výsledků sečení.
- Zvýšíte životnost řezacího zařízení.



VÝSTRAHA: Používejte výhradně řezací nástavce spolu s námi doporučeným krytem! Viz *Technické údaje na strani 63*. Viz pokyny pro řezací nástavec, kde se uvádí správný způsob navíjení vyžínací struny a volby správného průměru vyžínací struny.



VÝSTRAHA: Vadný řezací nástavec zvyšuje nebezpečí úrazu.

Strunová hlava



VÝSTRAHA: Vždy se ujistěte, že je vyžínací struna navinuta na cívce pevně a stejnoměrně, abyste zamezili škodlivým vibracím.

(Obr. 31)

- Používejte pouze doporučené strunové hlavy a vyžínací struny.
- Používejte výhradně doporučené sekací nástavce.
- Menší zařízení potřebují menší strunové hlavy a naopak.
- Důležitá je délka vyžínací struny. Delší vyžínací struna vyžaduje výkonnější motor než krátká struna stejného průměru.
- Dbejte na to, aby nůž na krytu vyžínáče nebyl poškozen. Je určen k seřezávání vyžínací struny na správnou délku.
- Před použitím namočte vyžínací strunu na několik dní do vody. Prodloužíte tím její životnost.

Bezpečnostní pokyny týkající se baterií



VÝSTRAHA: Přečtěte si všechny bezpečnostní a všeobecné pokyny. Při nedodržení bezpečnostních a všeobecných pokynů může dojít k úrazu elektrickým proudem, požáru nebo vážnému poranění. **Veškeré bezpečnostní informace a obecné pokyny uschovejte pro budoucí použití.**

- **Tyto bezpečnostní pokyny se vztahují pouze na 18V dobíjecí Li-ion baterie pro systém POWER FOR ALL.**
- **Dobíjecí baterii používejte pouze v produktech od partnerů systému POWER FOR ALL.** Dobíjecí 18V baterie označené symbolem POWER FOR ALL jsou plně kompatibilní s následujícími výrobky:
 - Všechny výrobky 18V bateriového systému POWER FOR ALL.
 - Všechny 18V výrobky od partnerů systému POWER FOR ALL.
- **Dodržte doporučení týkající se baterie uvedené v návodu k používání výrobku.** Pouze tímto způsobem lze dobíjecí baterii a výrobek používat bez nebezpečí a chránit dobíjecí baterii před nebezpečným přetížením.
- **Baterie nabíjejte pouze pomocí nabíječek doporučených výrobcem nebo partnery systému POWER FOR ALL.** Nabíječka vhodná pro jeden typ baterie může při použití s jinou baterií představovat nebezpečí požáru.
- **Baterie se dodává částečně nabitá.** Aby byla zajištěna plná kapacita baterie, před prvním použitím elektrického nástroje zcela nabijte baterii v nabíječce baterií.
- **Baterie uchovávejte mimo dosah dětí.**
- **Neotevírejte baterii.** Hrozí nebezpečí zkratu.
- **V případě poškození a nesprávného použití baterie může dojít k úniku výparů. Baterie se může vznítit nebo explodovat.** Ujistěte se, že je prostor dobře větraný, a vyhledejte lékařskou pomoc, pokud se u vás vyskytnou nežádoucí účinky. Výpary mohou dráždit dýchací systém.
- **Při nesprávném použití nebo při poškození baterie může dojít k vytečení hořlavé kapaliny z baterie. Je třeba vyvarovat se kontaktu s touto kapalinou. Pokud dojde k náhodnému kontaktu, opláchněte postížené místo vodou. Pokud se kapalina dostane do kontaktu s očima, vyhledejte další lékařskou pomoc.** Kapalina vyteká z baterie může způsobit podráždění nebo popáleniny.
- **Pokud je baterie poškozená, může dojít k vytečení kapaliny, která může pokrýt okolní povrchy. Zkontrolujte příslušné díly.** Vyčistěte tyto díly nebo je v případě potřeby vyměňte.
- **Baterie se nesmí zkratovat. Když baterii nepoužíváte, udržujte ji stranou od kovových předmětů, např. kancelářských sponek, mincí, klíčů,**

hřebíků, šroubů nebo jiných malých kovových předmětů, které by mohly spojit kontakty baterie.

Při zkratování kontaktů baterie může dojít k popáleninám nebo k požáru.

- **Baterie může být poškozena špičatými předměty, jako jsou hřebíky nebo šroubováky, nebo vnější silou.** Může dojít k vnitřnímu zkratu, který způsobí, že se baterie spálí, bude kouřit, exploduje nebo se začne přehřívat.
- **Nikdy neprovádějte servis poškozených baterií.** Servis baterií smí provádět pouze výrobce nebo autorizovaný servis.
- **Chraňte baterii před teplem, např. před nepřetržitým intenzivním slunečním světlem, ohněm, nečistotami, vodou a vlhkostí.** Hrozí nebezpečí výbuchu a zkratu.
- **Baterii ve výrobku používejte pouze při okolní teplotě v rozsahu -5 °C — 40 °C.**
- **Baterii skladujte pouze při okolní teplotě v rozsahu -20 °C — 50 °C.** Například nenechávejte baterii v létě v autě. Při teplotách < 0 °C může u některých zařízení dojít ke ztrátě výkonu.
- **Baterii nabíjejte pouze při okolní teplotě v rozsahu 0 °C — 35 °C.** Nabíjení mimo tento teplotní rozsah může zvýšit riziko poškození baterie a představovat riziko požáru.

Bezpečnostní pokyny pro nabíječku baterií



VÝSTRAHA: Přečtěte si všechny bezpečnostní a všeobecné pokyny. Při nedodržení bezpečnostních a všeobecných pokynů může dojít k úrazu elektrickým proudem, požáru nebo vážnému poranění. Tyto pokyny uchovávejte na bezpečném místě. Nabíječku používejte pouze v případě, že můžete plně posoudit všechny funkce a provádět je bez omezení, nebo pokud jste obdrželi příslušné pokyny.

- **Dohlížejte na děti během používání, čištění a údržby.** Tím zajistíte, že děti si s nabíječkou nebudou hrát.
- **Nabíjejte pouze lithium-iontové baterie systému POWER FOR ALL 18 V s kapacitou 1,5 Ah nebo více (5 článků baterie nebo více). Napětí baterie musí odpovídat nabíjecímu napětí nabíječky. Nenabíjejte nenabíjecí baterie.** V opačném případě hrozí nebezpečí požáru a výbuchu.
- **Nevystavujte nabíječku dešti a vlhku.** Pokud do elektrického nástroje vnikne voda, zvyšuje se nebezpečí úrazu elektrickým proudem.
- **Udržujte nabíječku čistou.** Nečistoty představují nebezpečí úrazu elektrickým proudem.
- **Před použitím vždy zkontrolujte nabíječku, kabel a zástrčku.** Pokud zjistíte jakékoli poškození, přestaňte nabíječku používat. Neotevírejte nabíječku sami a nechte ji opravit pouze kvalifikovaným specialistou, který používá výhradně originální

náhradní díly. Poškozené nabíječky, kabely a zástrčky zvyšují nebezpečí úrazu elektrickým proudem.

- **Neprovozujte nabíječku na povrchu, který se může snadno vznítit (např. na papíře, textilu atd.) nebo v hořlavém prostředí.** V důsledku zahřívání nabíječky během provozu hrozí nebezpečí požáru.
- **Baterii dobíjejte pouze nabíječkou specifikovanou výrobcem.** Použití nabíječky vhodné pro jeden typ baterie může pro jiný typ baterie představovat nebezpečí vzniku požáru.
- **V případě poškození a nesprávného použití baterie může také dojít k úniku výparů.** Ujistěte se, že je prostor dobře větraný, a vyhledejte lékařskou pomoc, pokud se u vás vyskytnou nežádoucí účinky. Výpary mohou dráždit dýchací systém.
- **V nevhodných podmínkách může dojít k vytečení kapaliny z baterie. Je třeba vyvarovat se kontaktu s touto kapalinou. Pokud dojde k náhodnému kontaktu, opláchněte postižené místo vodou. Pokud se kapalina dostane do kontaktu s očima, vyhledejte další lékařskou pomoc.** Kapalina vyteklá z baterie může způsobit podráždění nebo popáleniny.
- **Nezakrývejte větrací otvory nabíječky.** V opačném případě se nabíječka může přehřát a přestane správně fungovat.
- **Pokud je třeba vyměnit napájecí kabel, musí to provést společnost Husqvarna nebo servisní středisko, které je oprávněno provádět opravy elektrických nástrojů Husqvarna, aby se předešlo bezpečnostním rizikům.**
- **Produkty prodávané pouze ve Velké Británii:** Váš výrobek je vybaven elektrickou zástrčkou schválenou dle BS 1363/A s vnitřní pojistkou (schválenou dle ASTA pro BS 1362). Pokud zástrčka není vhodná pro zásuvku, je nezbytné, aby ji zástupce autorizovaného zákaznického servisu odpojil a instaloval na její místo vhodnou zástrčku. Náhradní zástrčka by měla mít stejnou jmenovitou hodnotu pojistky jako původní zástrčka. Poškozenou zástrčku je nutné zlikvidovat, aby se předešlo možnému nebezpečí úrazu elektrickým proudem a nikdy ji nevkládejte do jiné elektrické zásuvky.



VÝSTRAHA: Srdeční zástava!

Tento výrobek vytváří během provozu elektromagnetické pole. Toto pole může za určitých okolností narušovat funkci aktivních či pasivních implantovaných lékařských přístrojů. Za účelem snížení rizika možného zranění nebo smrti doporučujeme osobám s implantovanými lékařskými přístroji poradit se před použitím výrobku s lékařem a s výrobcem implantovaného lékařského přístroje.



VÝSTRAHA: Nebezpečí udušení!

Může dojít k vdechnutí malých součástí. Dětem hrozí nebezpečí udušení plastovým

sáčkem. Během montáže výrobku zamezte přístup dětem.

Bezpečnostní pokyny pro údržbu



VÝSTRAHA: Před prováděním údržby výrobku si přečtěte následující varování.

- Před prováděním údržby, kontroly nebo montáže výrobku vyjměte baterii.
- Obsluha smí provádět pouze takové údržbářské a servisní úkony, které jsou popsány v tomto návodu k používání. Před provedením údržby a servisu většího rozsahu se obraťte na servisního prodejce.

- Baterii ani nabíječku baterií nečistěte vodou. Silné čisticí prostředky mohou způsobit poškození plastových dílů.
- Pokud byste neprováděli údržbu, podstatně by se zkrátil životní cyklus výrobku a zvýšilo se nebezpečí nehod.
- K provádění servisu a oprav je nutné speciální školení, zejména co se týče bezpečnostních zařízení. Pokud není možné po provedení údržby schválit všechny kontroly uvedené v tomto návodu k používání, obraťte se na servisního prodejce. Garantujeme, že jsou pro váš výrobek k dispozici profesionální opravy a servis.
- Používejte pouze originální náhradní díly.

Montáž

Úvod



VÝSTRAHA: Než začnete montovat výrobek, přečtěte si pozorně kapitolu o bezpečnosti.

Montáž ochranného krytu vyžínače

1. Umístěte ochranný kryt vyžínače na kryt motoru. (Obr. 32)
2. Namontujte 2 šrouby skrz kryt motoru a ochranný kryt vyžínače. (Obr. 33)
3. Dotáhněte šrouby.

Montáž strunové hlavy

1. Pootáčejte výstupním hřídelem, dokud jeden z otvorů v hnacím kotouči nezarovnáte s odpovídajícím otvorem v tělese ozubeného převodu.
2. Zasuňte kombinovaný nástroj do otvoru tak, aby zachytil hřídel.
3. Otočte hlavou vyžínače po směru hodinových ručiček. (Obr. 34)

Montáž ramínka na ochranu rostlin

1. Namontujte ramínko na ochranu rostlin do otvorů na krytu motoru. (Obr. 35)

2. Zkontrolujte, zda se ramínko na ochranu rostlin může volně pohybovat dopředu a dozadu. (Obr. 36)

Instalace háku na stěnu

- Namontujte hák uvnitř.
- Udržujte hák mimo sluneční světlo a při okolní teplotě $-10\text{ }^{\circ}\text{C}$ až $70\text{ }^{\circ}\text{C}$.
- Namontujte hák na sádkartonovou stěnu, dřevo nebo betonovou stěnu.



VAROVÁNÍ: Ujistěte se, že zeď unese zatížení minimálně 30 kg.

- Upevněte hák na stěnu pomocí 3 šroubů (A). V případě potřeby použijte hmoždinky (B). (Obr. 37)



VAROVÁNÍ: Ujistěte se, že jsou šrouby vhodné pro použití do konkrétního typu zdi.

- Informace o dostupném příslušenství pro skladování vašeho výrobku získáte u servisního pracovníka Husqvarna.

Provoz

Úvod



VÝSTRAHA: Než začnete s výrobkem pracovat, přečtěte si důkladně kapitolu o bezpečnosti.

Před použitím výrobku

- Zkontrolujte pracovní oblast a obeznamte se s terénem. Zkontrolujte sklon povrchu a zjistěte, zda se zde vyskytují kameny, větve a jámy.
- Proveďte obecnou kontrolu výrobku.
- Proveďte bezpečnostní kontroly a postupy údržby a servisu, které jsou uvedeny v tomto návodu.

- Zkontrolujte, zda motor není znečištěný nebo zda na něm nejsou praskliny. Pomocí kartáče očistěte motor od trávy a listí. V případě potřeby použijte rukavice.
- Zkontrolujte, zda na strunové hlavě a krytu řezacího nástavce není poškození nebo praskliny. Vyměňte strunovou hlavu a kryt řezacího nástavce, pokud došlo k nárazu nebo jsou na nich praskliny.
- Zkontrolujte, zda jsou všechny zážítkové matice a šrouby dotažené.
- Před spuštěním výrobku zkontrolujte, zda jsou řádně připevněny všechny kryty, ochranné kryty, rukojeti a sekací zařízení a zda nejsou poškozené.

Baterie



VÝSTRAHA: Před použitím baterie je třeba, abyste si přečetli a porozuměli kapitole o bezpečnosti. Rovněž je nezbytné, abyste si přečetli a pochopili návod k používání baterie a nabíječky baterií.

Baterii i nabíječku skladujte za správné okolní teploty.

	Okolní teplota
Provoz baterie ve výrobku	-5 °C — 40 °C
Nabíjení baterie	0 °C — 35 °C

Nabití baterie

Před prvním použitím baterii nabijte.

Povšimněte si: Baterie se nebude nabíjet, pokud je teplota baterie vyšší než +35 °C.

1. Připojte napájecí kabel nabíječky k uzemněné zásuvce.



VAROVÁNÍ: Ujistěte se, že zásuvka má správné napětí a frekvenci.

2. Vložte baterii do nabíječky baterií. Baterie je připojena k nabíječce, když bliká zelená kontrolka LED. (Obr. 38)
3. Baterie je plně nabitá, když svítí zelená kontrolka LED na nabíječce. Baterii nabíjejte maximálně po dobu 24 hodin.
4. Odpojte nabíječku ze zásuvky.



VAROVÁNÍ: Netahejte za napájecí kabel.

5. Vyjměte baterii z nabíječky.

Kontrolka LED stavu baterie na nabíječce

Červená kontrolka LED (A) a zelená kontrolka LED (B) na nabíječce ukazují stav baterie. Viz část *Kontrolka LED stavu baterie na výrobku na strani 59*.

(Obr. 39)

Kontrolka LED	Stav baterie
Zelená kontrolka LED rychle bliká.	Baterie se nabíjí.
Zelená kontrolka LED pomalu bliká.	Baterie je nabitá na 80 %.
Svítí zelená kontrolka LED.	Baterie je plně nabitá.
Svítí červená kontrolka LED.	Viz část <i>Kontrolka LED stavu baterie na výrobku na strani 59</i> .
Červená kontrolka LED rychle bliká.	Viz část <i>Kontrolka LED stavu baterie na výrobku na strani 59</i> .

Kontrolka LED stavu baterie na výrobku

Když je baterie instalována ve výrobku, kontrolky LED na výrobku zobrazují stav baterie.

(Obr. 40)

Kontrolka LED	Stav baterie
Svítí kontrolky LED 1, 2 a 3.	Plně nabitá.
Svítí kontrolky LED 1 a 2.	Dostatečně nabitá.
Svítí kontrolka LED 1.	Úroveň nabití baterie je nízká.
Bliká kontrolka LED 1.	Baterie je vybitá. Indikátor stavu baterie bliká. Nabíjte baterii. Viz část <i>Nabití baterie na strani 59</i> .

Instalace baterie do výrobku



VÝSTRAHA: Baterii používejte pouze s produkty systému POWER FOR ALL 18 V.

1. Zkontrolujte, zda je baterie plně nabitá.

2. Zasuňte baterii do držáku baterie výrobku. Baterie musí jít snadno zasunout do držáku. Pokud ji nelze snadno zasunout, není instalována správně.

(Obr. 41)

3. Baterie je zajištěná na místě, jakmile uslyšíte cvaknutí.

Spuštění výrobku

1. Stiskněte a podržte vypínač, dokud se nerozsvítí zelená kontrolka LED. (Obr. 42)
2. Stiskněte pojistku páčky spínače a páčku spínače. Řezací zařízení se začne otáčet.

Nastavení držadla ve tvaru „D“ a teleskopické hřídele

1. Stiskněte tlačítko pro seřízení držadla ve tvaru „D“.

(Obr. 43)

2. Nastavte držadlo ve tvaru „D“ do vhodného úhlu.
3. Uvolněte tlačítko pro seřízení držadla ve tvaru „D“.
4. Povolte páku na hřídeli. (Obr. 44)
5. Nastavte hřídel na potřebnou délku.
6. Zavřete páku a utáhněte šroub.

Povšimněte si: Dvě polohy držadla ve tvaru „D“ na následujícím obrázku jsou určeny pouze pro přepravu a skladování.

(Obr. 45)

Funkce automatického vypnutí

Výrobek je vybaven funkcí automatického vypnutí, která jej zastaví, pokud není používán. Výrobek se vypne po 3 minutách.

Obsluha výrobku

Vyžínání trávy

1. Držte strunovou hlavu těsně nad úroveň terénu a pod úhlem. Netlačte vyžínací strunu do trávy. (Obr. 46)
2. Zkraťte délku vyžínací struny o 8–10 cm.

Odstranění travního porostu

1. Udržujte strunovou hlavu nad zemí.
2. Nakloňte strunovou hlavu.
3. Sekejte koncem vyžínací struny okolo předmětů v pracovní oblasti.



VAROVÁNÍ: Posekejte trávu. Při nárazu vyžínací struny do jiných předmětů se zvyšuje opotřebení struny.

Sečení trávy

1. Zajistěte, aby při sečení trávy byla vyžínací struna rovnoběžně se zemí. (Obr. 47)
2. Netlačte hlavu vyžínáče k zemi. Můžete tím výrobek poškodit.
3. Při sečení trávy pohybujte výrobkem ze strany na stranu. (Obr. 48)

Odstranění trávy

Proud vzduchu z otáčející vyžínací struny lze použít k odstranění trávy z oblasti.

1. Udržujte strunovou hlavu a vyžínací strunu rovnoběžně se zemí a nad povrchem.
2. Pohybujte strunovou hlavou ze strany na stranu a odstraňte tak trávu.



VÝSTRAHA: Vyčistěte kryt strunové hlavy po každé montáži nové vyžínací struny, aby se eliminovalo nevyvážení a zabránilo vibracím v rukojetích. Proveďte také kontrolu ostatních dílů strunové hlavy a v případě potřeby ji vyčistěte.

Zastavení výrobku

1. Uvolněte páčku spínače a pojistku páčky spínače.
2. Stiskněte vypínač, dokud zelená kontrolka LED nezhasne.
3. Stiskněte uvolňovací tlačítko na baterii a vyjměte baterii z výrobku. (Obr. 49)

Výměna vyžínací struny

Viz poslední strana tohoto návodu k používání.

Údržba

Úvod



VÝSTRAHA: Než začnete na výrobku provádět údržbu, přečtěte si pozorně kapitolu o bezpečnosti.



Plán údržby

VÝSTRAHA: Před prováděním údržby vyjměte baterii.

Níže je uveden seznam kroků údržby, které musíte provést na výrobku. Více informací naleznete v části *Údržba na strani 60*.

Údržba	Denně	Týdně	Měsíčně
Očistěte vnější povrch výrobku suchým hadříkem. Nepoužívejte vodu.	X		
Zkontrolujte, zda tlačítko pro spouštění a zastavení funguje a není poškozené.	X		
Zkontrolujte správnou funkci páčky spínače a pojistky páčky spínače z hlediska bezpečnosti.	X		
Zkontrolujte, zda fungují všechny ovládací prvky a zda nejsou poškozené.	X		
Udržujte rukojeti suché, čisté a bez zbytků oleje a maziva.	X		
Zkontrolujte, zda není sekací nástavec poškozený. Poškozený sekací nástavec je nutné vyměnit.	X		
Zkontrolujte, zda není kryt sekacího nástavce poškozený. Poškozený kryt řezačícího nástavce je nutné vyměnit.	X		
Zkontrolujte, zda jsou šrouby a matice dotažené.	X		
Zkontrolujte, zda fungují tlačítka pro uvolnění baterie na baterii a zda drží baterii ve výrobku.	X		
Zkontrolujte, zda není poškozená nabíječka baterií a zda funguje správně.	X		
Zkontrolujte, zda není baterie poškozená.	X		
Zkontrolujte, zda je baterie nabitá.	X		
Zkontrolujte, zda není nabíječka baterií poškozená.	X		
Zkontrolujte všechny kabely, spojky a konektory. Zkontrolujte, zda nejsou poškozené a znečištěné.		X	
Zkontrolujte spojení mezi baterií a výrobkem. Zkontrolujte spojení mezi baterií a nabíječkou baterií.			X

Kontrola baterie a nabíječky baterií

1. Zkontrolujte, zda baterie nevykazuje příznaky poškození, např. praskliny.
2. Zkontrolujte, zda nabíječka baterií nevykazuje příznaky poškození, např. praskliny.
3. Zkontrolujte, zda není propojovací kabel nabíječky baterií poškozený a zda na něm nejsou praskliny.

Čištění výrobku, baterie a nabíječky baterií

1. Po použití vyčistěte výrobek suchou utěrkou.
2. Vyčistěte baterii a nabíječku baterií suchou utěrkou. Udržujte v čistotě vodící kolejničky baterie.
3. Před vložením baterie do nabíječky baterií nebo výrobku zkontrolujte, zda jsou svorky na baterii a nabíječce baterií čisté.

Kontrola a výměna strunové hlavy

1. Zkontrolujte, zda není strunová hlava poškozená nebo naprasklá.
2. Pootáčejte výstupním hřídelem, dokud jeden z otvorů v hnacím kotouči nezarovnáte s odpovídajícím otvorem v tělese ozubeného převodu.
3. Zasuňte kombinovaný nástroj do otvoru tak, aby zachytil hřídel.
4. Otočte strunovou hlavou proti směru hodinových ručiček.
(Obr. 50)
5. Žací hlavici vyměňte.
6. Smontujte strunovou hlavu. Viz část *Montáž strunové hlavy na strani 58*.

Odstraňování problémů

Uživatelské rozhraní

Problém	Možné závady	Možné řešení
Bliká zelená kontrolka LED.	Nízké napětí baterie.	Nabijte baterii.
Bliká červená chybová kontrolka LED.	Přetížení.	Řezací nástavec se nemůže volně pohybovat. Uvolněte řezací nástavec.
	Odchylka teploty.	Nechte výrobek vychladnout.
	Páčka spínače a tlačítko pro spouštění jsou stisknuty současně.	Uvolněte páčku spínače a stiskněte tlačítko pro spouštění.
Střídavě bliká zelená a červená kontrolka LED.	Baterie je vybitá.	Nabijte baterii.
	Baterie je poškozená.	Obrat'te se na servisního prodejce.

Nabíječka baterií

Kontrolka LED na nabíječce baterií	Příčina	Řešení
Zelená kontrolka LED svítí a červená kontrolka LED bliká.	Baterie není správně nainstalována v nabíječce.	Vyměňte baterii z nabíječky a znovu ji instalujte do nabíječky.
	Konektory baterie jsou znečištěné.	Očistěte konektory baterie.
	Okolní teplota je příliš vysoká nebo příliš nízká.	Nabíječku baterií používejte při teplotě 0 až +35 °C.
	Baterie je vadná.	Vyměňte baterii.
Zelená kontrolka LED a červená kontrolka LED nesvítí.	Nabíječka není správně připojena k elektrické zásuvce.	Zapojte nabíječku baterií do síťové zásuvky.
	Vadná elektrická zásuvka.	Připojte nabíječku baterií ke zdroji s napětím a frekvencí uvedenými na typovém štítku.
	Kabel nabíječky je vadný.	Obrat'te se na schváleného servisního pracovníka.
	Nabíječka baterií je vadná.	
Jiné chyby.	Pokud se objeví jiná chyba, ujistěte se, že je výrobek vypnutý, vyměňte baterii a obrat'te se na schváleného servisního pracovníka.	

Přeprava, skladování a likvidace

Přeprava a skladování

- Dodané Li-ion baterie podléhají požadavkům legislativy o nebezpečném zboží.
- Dodržujte zvláštní požadavky uvedené na obalu a označení pro komerční přepravu, platí i pro třetí strany a dopravce.
- Než odešlete výrobek, promluvte si s osobou speciálně vyškolenou ohledně manipulace s nebezpečnými materiály. Dodržujte platné celostátní předpisy.
- Před vložením baterie do obalu zalepte rozpojené kontakty páskou. Vložte baterii do obalu a zajistěte ji proti pohybu.
- Před přepravou nebo uskladněním vyjměte baterii.
- Uložte baterii a nabíječku baterií na místo, které je suché a chráněné před vlhkostí a mrazem.
- Neskladujte baterii v místech, kde může docházet k výbojům statické elektřiny. Neskladujte baterii v kovovém obalu.
- Baterii skladujte na místě, kde je teplota v rozsahu -20 až +50 °C a mimo přímé sluneční světlo.
- Nabíječku baterií skladujte na místě, kde je teplota v rozsahu 5 až 45 °C a mimo přímé sluneční světlo.
- Výrobek skladujte při teplotách v rozsahu -40 až +60 °C.
- Nabíječku použijte pouze při okolních teplotách v rozsahu 0 až 35 °C.
- Před dlouhodobým uskladněním se ujistěte, že je baterie nabitá na 30 až 50 %.
- Uložte baterii a nabíječku baterií do uzavřené a suché místnosti.

- Skladujte baterii mimo nabíječku baterií. Nedovolte, aby se děti nebo neoprávněné osoby dotýkaly zařízení. Uchovávejte zařízení na místě, které lze uzamknout.
- Před dlouhodobým skladováním výrobku jej vyčistěte a proveďte kompletní údržbu.
- Před přepravou a uskladněním umístěte na výrobek přepravní kryt pro prevenci zranění a poškození.
- Během přepravy musí být výrobek bezpečně upevněný.
- Uchovávejte výrobek ve vodorovné poloze nebo jej zavěste na dodaný hák. Viz část *Instalace háku na stěnu na strani 58*.

(Obr. 51)

Likvidace baterie, nabíječky baterií a výrobku

Níže uvedený symbol znamená, že výrobek nelze zlikvidovat jako domácí odpad. Odevzdejte jej ve stanici pro recyklaci elektrických a elektronických zařízení. To pomůže eliminovat nebezpečí poškození životního prostředí a zdraví osob.

Další informace získáte od místních úřadů, služby zajišťující zpracování domácího odpadu nebo prodejce.

(Obr. 18)

Povšimněte si: Tento symbol je znázorněn na výrobku nebo obalu výrobku.

Technické údaje

Technické údaje

	Aspire T28-P4A
Motor	
Typ motoru	PMDC
Otáčky výstupního hřídele, ot/min	6800
Šířka sečení, mm	280
Hmotnost	
Hmotnost bez baterie, kg	2,6
Hmotnost s baterií (P4A 18-B45/P4A 18-B70), kg	3/3,3

		Aspire T28-P4A
Emise hluku ⁷		
Hladina akustického výkonu, změřená dB (A)		85
Hladina akustického výkonu, zaručená L _{WA} dB (A)		88
Hladiny hluku ⁸		
Ekvivalentní hladina akustického tlaku v úrovni uší obsluhy, změřená podle EN ISO 50636-2-91, dB (A)		73
Úrovně vibrací ⁹		
Úrovně vibrací na rukojeti, měřeno dle normy EN 50636-2-91, m/s ²		2,26/1,61
Vybaveno strunovou hlavou (originální), vpředu/vzadu		

Baterie	P4A 18-B45	P4A 18-B72
Typ	Lithium-iontová	Lithium-iontová
Kapacita baterie, Ah	Viz typový štítek baterie	Viz typový štítek baterie
Jmenovité napětí, V	18	18
Hmotnost, kg	0,4	0,7

Nabíječka baterií	P4A 18-C70
Síťové napětí, V	220–240
Frekvence, Hz	50–60
Výkon, W	70
Výstupní napětí, V DC/ ampéry, A	14,4–18 / 3

⁷ Emise hluku do okolního prostředí měřené jako akustický výkon (L_{WA}) v souladu se směrnicí 2000/14/ES. Rozdíl mezi garantovaným a měřeným akustickým výkonem je v tom, že garantovaný akustický výkon rovněž zahrnuje rozptyl výsledků měření a rozdíly mezi různými výrobky téhož modelu podle Směrnice 2000/14/ES.

⁸ Uváděná data pro ekvivalentní hladinu akustického tlaku pro produkt mají typickou statistickou odchylku (standardní odchylku) 3 dB (A).

⁹ Uváděná data o úrovni vibrací mají typickou statistickou odchylku (standardní odchylku) 1,5 m/s².

Příslušenství

Schválené příslušenství

Schválené příslušenství	Typ	Kryt řezacího nástavce, obj. č.
Strunová hlava	A15B M5 (struna Ø 1,6 mm)	536 47 32-01

Prohlášení o shodě

Prohlášení o shodě EU

Společnost **Husqvarna AB**, SE-561 82 Huskvarna,
Švédsko, tel.: +46-36-146500, na svou výhradní
odpovědnost prohlašuje, že výrobek:

Popis	Akumulátorový vyžinač
Značka	Husqvarna
Typ/Model	Aspire T28-P4A
Identifikace	Výrobní čísla od roku 2023 a dále

je zcela ve shodě s následujícími směrnici a předpisy
EU:

Směrnice/nářízení	Popis
2006/42/ES	„o strojních zařízeních“
2014/30/EU	„o elektromagnetické kompatibilitě“
2000/14/ES	„týkající se emisí hluku do okolního prostředí“
2011/65/EU	„o omezení používání některých nebezpečných látek v elektrických a elektronických zařízeních“

a že byly použity následující normy nebo
technické specifikace: EN 60335-1:2012/A15:2021,
EN 50636-2-91:2014, EN IEC 63000:2018, EN IEC
55014-1:2021; EN IEC 55014-2:2021.

Oznámený subjekt: 0158 DEKRA Testing and
Certification GmbH, Handwerkstraße 15, 70565
Stuttgart, Germany obdržel osvědčení o shodě se
směrnicí rady 2000/14/ES, postup posouzení shody:
Dodatek VI.

Informace o emisích hluku najdete v části *Technické
údaje na strani 63*.

Huskvarna, 2023-12-14



Claes Losdal, manažer výzkumu a vývoje, Husqvarna
AB

Osoba odpovědná za technickou dokumentaci



Copyright © 2012–2020 STMicroelectronics

Záruka se nevztahuje na vady vzniklé běžným opotřebením, nedbalostí, vadným používáním, neautorizovanou opravou sacího zařízení připojeného k nesprávnému napětí.

Všechna práva vyhrazena.

Redistribuce a použití ve zdrojových a binárních formách, s úpravami nebo bez nich, jsou povoleny za předpokladu, že jsou splněny následující podmínky:

- Redistribuce zdrojového kódu musí obsahovat výše uvedené upozornění na autorská práva, tento seznam podmínek a následující zřeknutí se odpovědnosti.
- Redistribuce v binární formě musí obsahovat výše uvedené upozornění na autorská práva, tento seznam podmínek a následující zřeknutí se odpovědnosti v dokumentaci nebo jiných materiálech poskytnutých s distribucí.
- Název společnosti STMicroelectronics ani názvy jejích přispěvatelů nesmí být použity k propagaci ani v rámci reklamních aktivit spojených s výrobky odvozenými od tohoto softwaru bez předchozího písemného souhlasu.

TENTO SOFTWARE POSKYTUJÍ DRŽITELÉ AUTORSKÝCH PRÁV A PŘÍSPĚVATELÉ „TAK, JAK JE“, A VEŠKERÉ VÝSLOVNÉ ČI PŘEDPOKLÁDANÉ ŽÁRUKY, VČETNĚ, MIMO JINÉ, PŘEDPOKLÁDANÝCH ŽÁRUK OBCHODOVATELNOSTI A VHODNOSTI PRO KONKRÉTNÍ ÚČEL, JSOU VYLOUČENY. ZA ŽÁDNÝCH OKOLNOSTÍ NEPONESE VLASTNÍK AUTORSKÝCH PRÁV ANI PŘÍSPĚVATELÉ ZODPOVĚDNOST ZA ŽÁDNÉ PŘÍMÉ, NEPŘÍMÉ, NÁHODNÉ, ZVLÁŠTNÍ, EXEMPLÁRNÍ NEBO NÁSLEDNÉ ŠKODY (VČETNĚ, MIMO JINÉ, NÁKUPU NÁHRADNÍHO ZBOŽÍ NEBO SLUŽEB, ZTRÁTY POUŽITÍ, DAT NEBO ZISKU NEBO PŘERUŠENÍ PODNIKÁNÍ), JAKKOLI ZPŮSOBENÉ A NA ZÁKLADĚ JAKÉKOLI TEORIE ODPOVĚDNOSTI, AŽ UŽ SMLUVNÍ, OBJEKTIVNÍ ODPOVĚDNOSTI NEBO OBČANSKOPRÁVNÍM VZTAHEM (VČETNĚ NEDBALOSTI NEBO JINAK) VYPLÝVAJÍCÍ Z POUŽITÍ TOHOTO SOFTWARE, A TO I V PŘÍPADĚ, ŽE JSOU NA MOŽNOST TAKOVÉ ŠKODY UPOZORNĚNI.

Licence Apache 2.0

Copyright © 2009–2019 Arm Limited. Všechna práva vyhrazena.

Verze 2.0, leden 2004 <http://www.apache.org/licenses/>
PODMÍNKY POUŽITÍ, REPRODUKCE A DISTRIBUCE

1. Definice.

„**Licencí**“ se rozumí podmínky použití, reprodukce a distribuce definované v částech 1 až 9 tohoto dokumentu. „**Poskytovatelem licence**“ se rozumí vlastník autorských práv nebo subjekt oprávněný vlastníkem autorských práv, který licenci uděluje. „**Právním subjektem**“ se rozumí sdružení jednatelského subjektu a všech ostatních subjektů, které kontrolují tento subjekt, jsou kontrolovány tímto subjektem nebo jsou s tímto subjektem pod společnou kontrolou. Pro účely této definice se „**kontrolou**“ rozumí i) moc, přímá nebo nepřímá, která způsobuje řízení nebo vedení tohoto subjektu, ať už smluvně nebo jinak, nebo ii) vlastnictví padesáti procent (50 %) nebo více akcií v oběhu, nebo iii) skutečné vlastnictví takového subjektu. „**Vy**“ („**váš**“) znamená jednotlivce nebo právní subjekt využívající oprávnění udělená touto licencí. „**Zdrojovou**“ formou se rozumí upřednostněná forma pro provádění úprav, včetně, mimo jiné, zdrojového kódu softwaru, zdroje dokumentace a konfiguračních souborů. „**Cílovou**“ formou se rozumí jakákoli forma vyplývající z mechanické transformace nebo překladu zdrojové formy, včetně, mimo jiné, sestaveného cílového kódu, vygenerované dokumentace a převodů na jiné typy médií. „**Dílem**“ se rozumí autorské dílo, ať už ve zdrojové nebo cílové formě, které je zpřístupněno v rámci licence, jak je uvedeno v upozornění na autorská práva, které je zahrnuto v díle nebo které je k němu připojeno (příklad je uveden v příloze níže). „**Odvozenými díly**“ se rozumí jakékoli dílo, ať už ve zdrojové nebo cílové formě, které je založeno na díle (nebo od něj odvozeno) a pro které redakční revize, anotace, zpracování nebo jiné úpravy představují jako celek původní autorské dílo. Pro účely této licence odvozená díla nezahnují díla, která zůstávají oddělitelná od díla nebo se pouze propojují (nebo se vážou jménem) s rozhraními díla a z něho odvozených děl. „**Příspěvkem**“ se rozumí jakékoli autorské dílo, včetně původní verze díla a jakýchkoli úprav nebo dodatků k tomuto dílu nebo z něho odvozeným dílům, které je záměrně předloženo poskytovateli licence k zařazení do díla vlastníkem autorských práv nebo jednotlivcem či právním subjektem oprávněným k předložení jménem vlastníka autorských práv. Pro účely této definice se „**předložením**“ rozumí jakákoli forma elektronické, verbální nebo písemné komunikace zasláná poskytovateli licence nebo jeho zástupcům, včetně, mimo jiné, komunikace na seznamech elektronické pošty, systémech kontroly zdrojových kódů a systémech sledování vydání, které spravuje poskytovatel licence nebo jsou spravovány jeho jménem za účelem diskutování a zlepšení díla, avšak s výjimkou komunikace, která je jasně označena nebo jinak písemně označena vlastníkem autorských práv jako „**Není příspěvek**“. „**Příspěvatelem**“ se rozumí poskytovatel licence a jakýkoli jednotlivec nebo právní subjekt, jménem kterého poskytovatel licence obdržel příspěvek, který následně začlenil do díla.

2. Udělení licence k autorským právům.

V souladu s podmínkami této licence vám každý příspěvatel tímto uděluje trvalou, celosvětovou, nevýhradní, bezplatnou, neodvolatelnou licenci k autorským právům na reprodukci, přípravu odvozených děl, veřejné zobrazení, veřejné provedení, poskytnutí sublicence a distribuci díla a takovýchto odvozených děl ve zdrojové nebo cílové formě.

3. Udělení patentové licence.

V souladu se smluvními podmínkami této licence vám každý příspěvatel tímto uděluje trvalou, celosvětovou, nevýhradní, bezplatnou, neodvolatelnou (s výjimkou případů uvedených v této části) patentovou licenci k výrobě, nechání si vyrobit, používání, nabízení k prodeji, prodeji, importování a jinému přenosu díla, kde tato licence platí pouze pro patentové nároky licencovatelné takovýmito příspěvatel, které jsou nezbytně porušovány samotným příspěvkem (příspěvkem) nebo kombinací jejich příspěvků (příspěvků) do díla, pro které byl takovýto příspěvek (příspěvky) předložen. Pokud vedete patentový spor proti jakémukoli subjektu (včetně protižaloby nebo protinároku v soudním sporu) tvrdící, že dílo nebo příspěvek začleněný do díla představuje přímé nebo nepřímé porušení patentu, poté budou veškeré patentové licence udělené vám na základě této licence pro toto dílo ukončeny ke dni podání takového sporu.

4. Redistribuce.

Kopie díla nebo jeho odvozených děl můžete reprodukovat a distribuovat na jakémkoli médiu, s úpravami nebo bez nich a ve zdrojové nebo cílové formě za předpokladu, že splňujete následující podmínky:

- Musíte dát všem ostatním příjemcům díla nebo odvozených děl kopii této licence; a
- Musíte zajistit, že jakékoli upravené soubory budou obsahovat upozornění, že jste soubory změnil; a musíte ve zdrojové formě jakýchkoli odvozených děl, která distribuujete, ponechat veškerá oznámení o autorských právech, patentech, ochranných známkách a autorství ze zdrojové formy díla, s výjimkou těch oznámení, která se nevztahují k žádné části odvozených děl; a
- Pokud dílo obsahuje textový soubor „OZNÁMENÍ“ jako součást jeho distribuce, potom jakákoli odvozená díla, která distribuujete, musí obsahovat čitelnou kopii oznámení o autorství obsažených v tomto souboru OZNÁMENÍ, s výjimkou těch oznámení, která se nevztahují k žádné části odvozených děl, alespoň na jednom z následujících míst: v textovém souboru OZNÁMENÍ distribuovaném jako součást odvozených děl; v rámci zdrojové formy nebo dokumentace, pokud je poskytována společně s odvozenými díly; nebo v rámci zobrazení generovaného odvozenými díly, pokud a kdekoli se taková oznámení třetích stran obvykle objevují. Obsah souboru OZNÁMENÍ je pouze informativní

a neupravuje licenci. Můžete přidávat vlastní oznámení o autorství v rámci odvozených děl, která distribuujete, společně s textem OZNÁMENÍ nebo jako dodatek k textu OZNÁMENÍ z díla, za předpokladu, že taková další oznámení o autorství nelze vykládat jako úpravu licence. K vašim úpravám můžete přidat vlastní prohlášení o autorských právech a můžete poskytnout další nebo jiné licenční smluvní podmínky pro použití, reprodukci nebo distribuci vašich modifikací nebo pro jakákoli takováto odvozená díla jako celek za předpokladu, že vaše použití, reprodukce a distribuce díla jinak splňují podmínky uvedené v této licenci.

5. Předkládání příspěvků.

Pokud výslovně neuvedete jinak, jakýkoli příspěvek, který jste úmyslně předložili poskytovateli licence k zařazení do díla, musí být za smluvních podmínek této licence bez jakýchkoli dalších smluvních podmínek. Bez ohledu na výše uvedené nic v tomto dokumentu nenahrazuje ani nemění podmínky jakékoli samostatné licenční smlouvy, kterou jste mohli s poskytovatelem licence uzavřít ohledně těchto příspěvků.

6. Ochranné známky.

Tato licence neuděluje povolení používat obchodní názvy, ochranné známky, značky služeb nebo názvy produktů poskytovatele licence, s výjimkou případů, kdy je to vyžadováno pro přiměřené a obvyklé použití při popisu původu díla a reprodukci obsahu souboru OZNÁMENÍ.

7. Odmítnutí záruky.

Není-li to vyžadováno příslušným zákonem nebo dohodnuto písemně, poskytovatel licence poskytuje dílo (a každý příspěvatel poskytuje své příspěvky) „TAK, JAK JE“, BEZ ZÁRUK NEBO PODMÍNEK JAKÉHOKOLI DRUHU, ať už výslovných nebo předpokládaných, včetně, mimo jiné, jakýchkoli záruk nebo podmínek VLASTNICTVÍ, NEPORUŠENÍ PRÁV, OBCHODOVATELNOSTI nebo VHODNOSTI PRO KONKRÉTNÍ ÚČEL. Nesete výhradní odpovědnost za stanovení vhodnosti používání nebo redistribuci díla a berete na sebe veškerá rizika spojená s vašim uplatněním oprávnění v rámci této licence. 8. Omezení odpovědnosti. V žádném případě a podle žádné právní teorie, ať už občanskoprávní (včetně nedbalosti), smluvní nebo jiné, pokud to nevyžadují platné zákony (jako jsou úmyslné a hrubě nedbalé činy) nebo tak není písemně dohodnuto, vám nebude jakýkoli příspěvatel odpovědný za škody, včetně přímých, nepřímých, zvláštních, náhodných nebo následných škod jakéhokoli charakteru, vyplývající z této licence nebo z použití nebo nemožnosti použití díla (včetně, mimo jiné, poškození v důsledku ztráty dobrého jména, zastavení práce, selhání nebo nesprávné funkce počítače nebo jakýchkoli a veškerých ostatních obchodních škod nebo ztrát), i když takový příspěvatel byl informován o možnosti takových škod.

9. Přijetí záruky nebo další odpovědnosti.

Při redistribuci díla nebo jeho odvozených děl se můžete rozhodnout nabídnout a účtovat poplatek za přijetí podpory, záruky, odškodnění nebo jiných závazků odpovědnosti nebo práv v souladu s touto licencí. Při přijímání těchto závazků však můžete jednat pouze svým jménem a na svou výhradní odpovědnost,

nikoli jménem jiného příspěvatele, a pouze pokud souhlasíte s odškodněním, obranou a zbavením každého příspěvatele jakékoli odpovědnosti, která příspěvateli vznikla, nebo nároků, které vůči němu byly uplatněny, z důvodu vašeho přijetí takové záruky nebo další odpovědnosti. KONEC SMLUVNÍCH PODMÍNEK

Indhold

Indledning.....	69	Transport, opbevaring og bortskaffelse.....	82
Sikkerhed.....	71	Tekniske data.....	83
Montering.....	77	Tilbehør.....	84
Drift.....	78	Overensstemmelseserklæring.....	85
Vedligeholdelse.....	80	Licenser.....	86
Fejlfinding.....	81	Appendix	507

Indledning

Produktbeskrivelse

Husqvarna Aspire T28-P4A er en batteridrevet græstrimmer med elektrisk motor.

Der arbejdes konstant på at øge din sikkerhed og effektivitet under drift. Spørg serviceforhandleren for at få yderligere oplysninger.

Anvendelsesformål

Produktet bruges med trimmerhoved til at slå græs. Brug ikke produktet til andre opgaver end græstrimming og græsrydning.

Produktoversigt

(Fig. 1)

1. Trimmerhoved
2. Skæreudstyrsskærm
3. Blomsterbeskyttelse
4. Justering af aksel (teleskop)
5. Aksel
6. Loophåndtag
7. Vedligeholdelsesdæksel
8. Knap til justering af loophåndtag
9. Brugergrænseflade
10. Advarselsindikator
11. Indikator for ladetilstand
12. ON/OFF-knap
13. Strømdløser
14. Lås på strømdløser
15. Batteri (P4A 18-B45)
16. Knap til udløsning af batteri
17. Batteri (P4A 18-B72)
18. Batterioplader (P4A 18-C70)
19. Stik

Bemærk: National lovgivning kan definere begrænsninger på betjeningen af produktet.

Lynvejledning

Scan QR-koden for at få råd om, hvordan du bruger produktet.

(Fig. 20)

20. Tænd og advarselsindikator
21. Kombinationsværktøj
22. Væggkrog
23. Skruer og rawplugs til væggkrog
24. Brugervejledning

Symboler på produktet

(Fig. 2) **ADVARSEL:** Dette produkt kan være farligt og forårsage alvorlig personskade eller død for brugeren eller andre. Vær forsigtig, og brug produktet korrekt.

(Fig. 3) Læs brugsanvisningen omhyggeligt igennem, og sørg for at have forstået instruktionerne, inden du bruger produktet.

(Fig. 4) Benyt øjenværn.

(Fig. 5) Må ikke udsættes for regn.

(Fig. 6) Mærkat vedrørende emission af støj til omgivelserne i henhold til direktiver og regulativer i EU og Storbritannien og New South Wales' lovgivning om Beskyttelse af miljøet (støjbegrænsning) forordning 2017. Produktets garanterede lydeffektniveau er angivet i *Tekniske data på side 83*.

(Fig. 7) Frakobl batteriet før vedligeholdelse.

(Fig. 8) Produktet og produktemballagen er ikke almindeligt husholdningsaffald. Aflever det på en genbrugsstation til elektrisk og elektronisk udstyr.

(Fig. 9) Pas på genstande, der slynges ud.

(Fig. 10) Brug ikke metalknive.

(Fig. 11) Produktet er i overensstemmelse med gældende EU-direktiver.

(Fig. 12) Produktet er i overensstemmelse med gældende UK-bestemmelser.

(Fig. 13) Jævnstrøm.

(Fig. 17) Afstanden mellem maskinen og omkringstående skal være mindst 15 m.

yyyywwxxxx Typeskiltet eller laserskriften viser serienummeret. **yyyy** er produktionsåret, og **ww** er produktionsugen.

Symboler på produktet

(Fig. 2) ADVARSEL: Dette produkt kan være farligt og forårsage alvorlig personskade eller død for brugeren eller andre. Vær forsigtig, og brug produktet korrekt.

(Fig. 3) Læs brugsanvisningen omhyggeligt igennem, og sørg for at have forstået instruktionerne, inden du bruger produktet.

(Fig. 4) Benyt øjenværn.

(Fig. 5) Må ikke udsættes for regn.

(Fig. 6) Emission af støj i overensstemmelse med miljømærket i henhold til EU (herunder New South Wales-lovgivning) samt britiske direktiver og forordninger.

Data om emission af støj findes på maskinens mærkat og i kapitlet Tekniske data.

(Fig. 7) Frakobl batteriet før vedligeholdelse.

(Fig. 8) Produktet og produktemballagen er ikke almindeligt husholdningsaffald. Aflever det på en genbrugsstation til elektrisk og elektronisk udstyr.

(Fig. 9) Pas på genstande, der slynges ud.

(Fig. 10) Brug ikke metalknive.

(Fig. 11) Produktet er i overensstemmelse med gældende EU-direktiver.

(Fig. 13) Jævnstrøm.

(Fig. 17) Afstanden mellem maskinen og omkringstående skal være mindst 15 m.

yyyywwxxxx Typeskiltet eller laserskriften viser serienummeret. **yyyy** er produktionsåret, og **ww** er produktionsugen.

Symboler på batteriet og/eller på batteriopladeren

(Fig. 18) Aflever produktet på en genbrugsstation for elektrisk og elektronisk udstyr. (Gælder kun Europa)

(Fig. 19) Brug kun batteriet i produkter fra POWER FOR ALL-systempartnere.

(Fig. 14) Fejlsikker transformer.

(Fig. 15) Brug og opbevar kun batteriopladeren indendørs.

(Fig. 16) Dobbelt isolering.

Skader på produktet

Vi er ikke ansvarlige for skader på vores produkt, hvis:

- produktet er forkert repareret.
- produktet er repareret med dele, der ikke er fra producenten eller ikke er godkendt af producenten

- produktet har tilbehør, der ikke er fra producenten eller ikke er godkendt af producenten.
- produktet ikke er repareret på et godkendt servicecenter eller af en godkendt myndighed.

Producent

Husqvarna AB

SE-561 82, Huskvarna, Sweden

Sikkerhed

Sikkerhedsdefinitioner

Advarsler, forholdsregler og bemærkninger bruges til at pege på særligt vigtige dele af brugsanvisningen.



ADVARSEL: Bruges, hvis føreren udsætter sig selv eller omkringstående personer for risiko for personskade eller dødsfald ved tilsidesættelse af instruktionerne i brugsanvisningen.



BEMÆRK: Bruges, hvis der er risiko for skader på produktet, andre materialer eller det omgivende område ved tilsidesættelse af instruktionerne i brugsanvisningen.

Bemærk: Bruges til at give yderligere oplysninger, der er nødvendige i en given situation.

Generelle sikkerhedsadvarsler om elektrisk værktøj



ADVARSEL: Læs alle sikkerhedsadvarsler og instruktioner. Hvis man ignorerer advarsler og anvisninger, kan det medføre elektrisk stød, brand og/eller alvorlig tilskadekomst.

Bemærk: Opbevar alle advarsler og instruktioner til senere brug. Betegnelsen "elværktøj" i advarslerne henviser til dit værktøj, som drives af strøm fra elektricitetsnettet (med ledning) eller fra batteri (ledningsfrit).

Kontrol før start

- Batteriet skal altid udtages for at forhindre, at produktet starter utilsigtet. Batteriet skal altid udtages, før produktet vedligeholdes.
- Før brug af produktet og efter stød eller tab, skal maskinen kontrolleres for slitage og skader og om nødvendigt repareres.
- Kontrollér arbejdsområdet. Fjern alle løse genstande som for eksempel sten, knust glas, søm, ståltråd, snor og lignende, som kan slynges ud eller sno sig ind i klingens eller klingskærmen.
- Kontrollér motoren for snavs og revnedannelse. Rengør motoren for græs og blade med en børste. Handsker skal benyttes, når det er nødvendigt.

- Kontrollér, at trimmerhovedet er sikkert påsat trimmeren.
- Kontrollér produktet, så det er i optimal stand. Kontrollér, at alle møtrikker og bolte er spændt.
- Kontrollér, at trimmerhovedet og trimmerskærmen er intakte og fri for revner. Udskift trimmerhovedet eller trimmerskærmen, hvis de har været udsat for slag eller er revnet. Brug altid den anbefalede skærm for det pågældende skæreudstyr. Se kapitlet Tekniske data.
- Brugeren af produktet skal sørge for, at ingen mennesker eller dyr kommer nærmere end 15 meter under arbejdet. Hvis flere brugere arbejder i det samme område, skal sikkerhedsafstanden være mindst 15 meter.
- Udfør en generel inspektion af produktet før brug. Se vedligeholdelseskemaet.
- Nationale eller lokale bestemmelser kan regulere brugen. Overhold de gældende bestemmelser.

Sikkerhed i arbejdsområdet

- **Hold arbejdsområdet rent og godt oplyst.** Rodede eller mørke områder er en invitation til ulykker.
- **Betjen ikke elværktøj i områder med eksplosionsfare som f.eks. i nærheden af brændbare væsker, luftarter eller støv.** Elværktøj danner gnister, som kan antænde støv eller dampe.
- **Hold børn og tilskuere borte, mens elværktøjet betjenes.** Distraction kan få dig til at miste styringen.

Elektrisk sikkerhed

- **Stikket på elværktøjet skal passe til stikkontakten. Man må aldrig ændre på stikket. Benyt ikke adapterstik i forbindelse med jordet elværktøj.** Uændrede stik og passende stikkontakter reducerer risikoen for elektrisk stød.
- **Undgå kropskontakt med jordede genstande som f.eks. rør, radiatorer, komfurer og køleskabe.** Der er øget risiko for elektrisk stød, hvis din krop har forbindelse til jord.
- **Udsæt ikke elværktøj for regn eller våde omgivelser.** Vand, som trænger ind i et elværktøj, forøger risikoen for elektrisk stød.
- **Behandl kablet forsigtigt. Benyt aldrig kablet til at bære eller trække i elværktøjet eller til at trække stikket ud. Hold ledningen væk fra varme, olie, skarpe kanter eller bevægelige dele.** Beskadigede eller filtrede kabler forøger risikoen for elektrisk stød.
- **Når man anvender et elværktøj udendørs, skal man bruge en forlængerledning, der er egnet til udendørs**

brug. Brug af en ledning, der er egnet til udendørs brug, reducerer risikoen for elektrisk stød.

- Hvis ikke man kan undgå at anvende et elværktøj på fugtige steder, skal man anvende et stik, der er beskyttet af en fejlstrømsafbryder. Brug af et kabel med fejlstrømsafbryder nedsætter risikoen for elektrisk stød.

Personlig sikkerhed

- Vær altid opmærksom, hold øje med, hvad du foretager dig, og benyt sund fornuft, når du betjener elværktøj. Benyt ikke elværktøj, hvis du er træt eller er påvirket af narkotika, alkohol eller medicin. Et øjeblik uopmærksomhed under betjening af elværktøj kan resultere i alvorlig personskade.
- Bær personligt beskyttelsesudstyr. Brug altid beskyttelsesbriller. Beskyttelsesudstyr som støvmaske, skridsikre sikkerhedssko, beskyttelsehjelm eller høreværn, som benyttes til de relevante formål vil nedsætte risikoen for personskade.
- Sørg for at forhindre uønsket start af værktøjet. Sørg for, at kontakten er i frakoblet position, før du tilslutter produktet til strømkilden og/eller batterienheden, samt når du tager eller bærer produktet. At bære elværktøj med fingeren på kontakten eller at sætte strøm til elværktøj med tændt kontakt er en invitation til ulykker.
- Fjern alle indstillingsnøgler eller tænger, før elværktøjet tændes. En tang eller nøgle, der efterlades på en roterende del af elværktøjet, kan forårsage personskade.
- Stræk dig ikke for langt. Sørg for altid at have godt fodfæste og god balance. Det sikrer bedre kontrol med elværktøjet i uventede situationer.
- Bær det korrekte tøj. Undgå at bære løstsiddende tøj eller smykker. Hold hår og tøj væk fra bevægelige dele. Løst tøj, smykker eller langt hår kan blive fanget af bevægelige dele.
- Hvis der forefindes udstyr til støvudsugning og -opsamling, skal du sikre, at det er tilsluttet, og at det bruges korrekt. Brug af støvopsamling kan nedbringe støvrelaterede farer.
- Lad ikke erfaringen fra tidligere brug af værktøjer gøre dig eftergivende, så du ignorerer sikkerhedsprincipperne for værktøj. En uforsigtig handling kan give alvorlige skader på en brøkdal af et sekund.
- Vibrationerne under brug af elværktøjet kan være anderledes end den angivne samlede vibrationsværdi, afhængigt af den måde værktøjet anvendes på. Operatøren bør identificere sikkerhedsforanstaltninger, der er baseret på en vurdering af vibrationerne under de faktiske brugsforhold (der tager hensyn til alle dele af driftscyklussen, som f.eks. når værktøjet er slukket, og når det kører i tomgang), for at beskytte sig selv.

Brug og pleje af elværktøj

- Brug ikke magt ved brug af elværktøjet. Brug det korrekte elværktøj til din opgave. Det korrekte elværktøj udfører arbejdet bedre og mere sikkert ved den norm, som det er konstrueret til.
- Benyt ikke elværktøjet, hvis kontakten ikke kan slå til og fra. Ethvert stykke elværktøj, som ikke kan styres med kontakten, er farligt og skal repareres.
- Tag stikket ud af stikkontakten og/eller fjern batterienheden, hvis den kan tages ud, fra elværktøjet, før du foretager justeringer, skifter tilbehør eller sætter det til opbevaring. Denne form for forebyggende sikkerhedsforanstaltninger nedsætter risikoen for, at elværktøjet startes ved et uheld.
- Opbevar elværktøj der ikke er i brug uden for børns rækkevidde og lad ikke personer, der ikke er bekendt med elværktøjet eller disse instruktioner, betjene elværktøjet. Elværktøj er farligt i hænderne på utrænede brugere.
- Vedligeholdelse af eldrevne redskaber og tilbehør. Kontroller, om bevægende dele sidder forkert eller binder, om dele er ødelagt og enhvers anden tilstand, som kan påvirke elværktøjets funktion. Hvis elværktøjet er beskadiget, skal det repareres, før det bruges igen. Mange ulykker skyldes dårligt vedligeholdt elværktøj.
- Hold skæreprodukter skarpe og rene. Korrekt vedligeholdt skæreprodukter med skarpe klinger er mindre tilbøjelige til at binde og er lettere at styre.
- Benyt elværktøj, tilbehør, værktøjsbits osv. i overensstemmelse med disse instruktioner og tag højde for arbejdsforholdene og det arbejde, der skal udføres. Hvis man bruger det eldrevne produkt til andre formål end de tiltænkte, kan det medføre farlige situationer.
- Hold håndtag og gribeblader tørre, rene og frie for olie og fedt. Glatte håndtag og gribeblader muliggør ikke sikker håndtering og kontrol af værktøjet i uventede situationer.

Brug og pleje af batteriredskaber

- Genoplad kun med den oplader, som producenten foreskriver. En oplader, der egner sig til en bestemt type batteripakke, kan medføre risiko for brand, hvis den benyttes sammen med en anden batteripakke.
- Brug kun produkter sammen med de batterienheder, der er beregnet specifikt til dem. Brug af andre batterienheder medfører risiko for skader og brand.
- Når batterienheden ikke anvendes, skal du holde den væk fra andre metalgenstande, såsom papir, clips, mønter, nøgler, søm, skruer eller andre små metalgenstande, der kan kortslutte polerne. Kortslutning af batteripolerne kan forårsage forbrændinger eller brand.
- Under ugunstige forhold kan der sprøjte væske ud fra batteriet, undgå kontakt. Hvis væsken alligevel berøres, skal der skylles med vand. Hvis du får væske i øjnene, skal du søge læge. Væske, der

trænger ud af batteriet, kan forårsage irritation og ætsningsskader.

- **Brug ikke en batteripakke eller et værktøj, som er beskadiget eller modificeret.** Beskadigede eller modificerede batterier kan opføre sig uforudsigeligt og medføre brand, eksplosion eller risiko for personskade.
- **Udsæt ikke en batteripakke eller et værktøj for brand eller høje temperaturer.** Udsættelse for brand eller temperatur over 130 °C / 265 °F kan forårsage eksplosion.
- **Følg alle opladningsanvisninger, og oplad ikke batteripakken eller værktøjet uden for det temperaturområde, der er angivet i instruktionerne.** Forkert opladning eller opladning ved temperaturer uden for det specificerede område kan beskadige batteriet og øge risikoen for brand.

Service

- **Få en kvalificeret reparatør til at foretage service på dit eldrevne produkt, og brug kun originale reservedele.** Det vil sikre, at elværktøjets sikkerhed bliver bibeholdt.
- **Der må aldrig udføres service på beskadigede batteripakker.** Service på batteripakker bør kun udføres af producenten eller autoriserede serviceudbydere.

Brug altid din sunde fornuft

Det er ikke muligt at tage højde for alle de situationer, du kan tænkes at komme ud for. Udvis derfor altid forsigtighed, og brug din sunde fornuft. Undgå situationer, som du ikke synes, du er tilstrækkeligt kvalificeret til. Hvis du stadig føler dig usikker med hensyn til fremgangsmåden, efter at du har læst disse anvisninger, skal du kontakte en ekspert, før du fortsætter.



ADVARSEL: Tillad aldrig børn at anvende eller være i nærheden af maskinen. Da maskinen er nem at starte, kan børn muligvis starte maskinen, hvis de ikke holdes under opsyn. Dette kan indebære risiko for alvorlige personskader. Tag derfor batteriet ud, når maskinen ikke er under opsyn.

Generelle sikkerhedsinstruktioner



ADVARSEL: Læs følgende advarselsinstruktioner, inden du bruger produktet.

- Batteriet skal udtages for at forhindre, at produktet starter utilsigtet.
- Dette produkt er et farligt værktøj, hvis du ikke er forsigtig, eller hvis du bruger produktet forkert. Dette produkt kan forårsage alvorlig personskade eller død for brugeren eller andre.

- Brug ikke produktet, hvis det er blevet ændret fra den oprindelige specifikation. Du må ikke ændre dele af produktet uden producentens godkendelse. Brug kun reservedele, der er godkendt af producenten. Forkert vedligeholdelse kan medføre personskader eller dødsfald.
- Kontrollér produktet inden brug. Se *Kontrol før start på side 71* og *Før du bruger produktet på side 78*. Brug ikke et produkt, der er beskadiget eller ikke fungerer korrekt. Gennemfør sikkerhedskontrol, vedligeholdelse og service som beskrevet i denne brugsanvisning.
- Børn skal være under opsyn for at sikre, at de ikke leger med produktet. Lad ikke børn eller personer, som ikke er trænet i brugen af produktet og/eller batteriet, bruge eller udføre service på den/det. Lokal lovgivning kan stille krav til operatørens alder.
- Opbevar produktet i et aflåst område utilgængeligt for børn eller personer, som ikke er godkendt.
- Opbevar produktet utilgængeligt for børn.
- Produktets oprindelige udformning må under ingen omstændigheder ændres uden producentens samtykke. Brug altid originalt tilbehør. Ikke-autoriserede ændringer og/eller ikke-godkendt tilbehør kan medføre alvorlige skader eller døden for brugeren og andre.

Bemærk: Nationale eller lokale love kan regulere brugen. Overhold de gældende bestemmelser.

Sikkerhedsinstruktioner for betjening



ADVARSEL: Læs følgende advarselsinstruktioner, inden du bruger produktet.

- **Brug ikke maskinen i dårligt vejr, specielt hvis der er risiko for lynnedslag.** Dette mindsker risikoen for at blive ramt af lynnedslag.
- **Undersøg grundigt det område, hvor maskinen skal bruges, for at se, om der er dyr.** Vilde dyr kan komme til skade af maskinen under betjening.
- **Undersøg grundigt det område, hvor maskinen skal bruges, og fjern alle sten, pinde, kabler, knogler og andre uvedkommende genstande.** Udkastede genstande kan forårsage alvorlige personskader.
- **Før maskinen tages i brug, skal du altid visuelt kontrollere, at klipperen og klipperenheden ikke er beskadigede.** Beskadigede dele øger risikoen for personskade.
- **Hold skærmene på plads. Skærmene skal være i driftskar stand og monteret korrekt.** En skærm, der er løs, beskadiget eller ikke fungerer korrekt, kan medføre personskade.
- **Hold alle køleluftsindtag fri for snavs.** Blokerede luftindtag og snavs kan medføre overophedning eller risiko for brand.
- **Bær beskyttelsesbriller og høreværn.** Passende sikkerhedsudstyr vil reducere personskader.

- **Brug altid skridsikkert og beskyttende fodtøj, når du betjener maskinen. Betjen ikke maskinen med bare fødder eller iført åbne sandaler.** Dette reducerer risikoen for, at fødderne kommer i kontakt med den bevægelige klipper.
- **Bær altid tøj som f.eks. bukser, der dækker operatørens ben, mens maskinen betjenes.** Kontakt med den bevægelige klipper eller tråd kan forårsage personskade.
- **Hold omkringstående væk, mens maskinen betjenes.** Udkastede grene og lignende kan medføre alvorlig personskade.
- **Betjen ikke maskinen over taljehøjde.** Det hjælper med at forhindre utilsigtet kontakt med klipperen og giver bedre styring af maskinen i uventede situationer.
- **Udvis forsigtighed, når maskinen betjenes i vådt græs. Gå. Løb aldrig.** Dette reducerer risikoen for at glide og falde, hvilket kan medføre personskade.
- **Betjen ikke maskinen på meget stejle skråninger.** Dette reducerer risikoen for tab af kontrol og for at glide og falde, hvilket kan medføre personskade.
- **Når du arbejder på skråninger, skal du altid være sikker på, at du står godt fast. Arbejd altid på tværs af skråninger, aldrig op eller ned, og udvis stor forsigtighed, når du skifter retning.** Dette reducerer risikoen for tab af kontrol og for at glide og falde, hvilket kan medføre personskade.
- **Hold alle ledninger og kabler væk fra klippeområdet.** Ledninger og kabler kan være skjult i hække eller buske og kan ved et uheld blive skåret over af tråden eller klipperen.
- **Hold alle dele af kroppen på afstand af trimmerens bevægelige klipper eller tråd. Fjern ikke materiale fra maskinen, før den er blevet koblet fra strømkilden.** Trimmerens bevægelige klipper eller tråd kan medføre alvorlig personskade.
- **Transporter maskinen slukket og væk fra kroppen.** Korrekt håndtering af maskinen vil reducere risikoen for utilsigtet kontakt med trimmerens bevægelige klipper eller tråd.
- **Brug kun udskiftningsklippehoveder og trimmerklippere eller -tråde, der er angivet af producenten. Udskift ikke trimmerklippere eller -tråde med metaltråde eller -knive.** Forkerte reservedele kan medføre tab af kontrol, brud og personskade.

Personligt beskyttelsesudstyr



ADVARSEL: Læs følgende advarselsinstruktioner, inden du bruger produktet.

- Brug godkendt personligt beskyttelsesudstyr, når du bruger produktet. Personligt beskyttelsesudstyr udelukker ikke fuldstændigt risikoen for personskader, men det mindsker graden af skaderne i tilfælde af, at der skulle ske en ulykke. Lad forhandleren hjælpe dig med at vælge det rigtige udstyr.

- Brug godkendt høreværn.

(Fig. 21)

- Brug godkendt øjenværn. Hvis du bruger et ansigtsværn, skal du også bruge godkendte beskyttelsesbriller. Godkendte beskyttelsesbriller skal være i overensstemmelse med den amerikanske standard ANSI Z87.1 eller EU-standardEN 166.

(Fig. 22)

- Brug om nødvendigt beskyttelseshandsker, f.eks. ved montering, eftersyn og rengøring af skæreudstyret.

(Fig. 23)

- Brug beskyttelsessko med stålsnude og skridsikre såler.

(Fig. 24)

- Brug beklædning, der er lavet af et stærkt materiale. Brug altid kraftige lange bukser og lange ærmer. Brug ikke løstsiddende tøj, som kan sætte sig fast i buske og grene. Brug ikke smykker, korte bukser eller sandaler. Du må ikke gå med bare fødder. Sæt håret op i en sikker højde, dvs. over skulderen.
- Hav førstehjælpsudstyr i nærheden.

(Fig. 25)

Sikkerhedsanordninger på produktet



ADVARSEL: Læs følgende advarselsinstruktioner, inden du bruger produktet.

I dette afsnit forklares mere om produktets sikkerhedsfunktioner og deres formål, samt hvordan kontrol og vedligeholdelse skal udføres for at sikre, at de fungerer. Se anvisningerne under afsnittet *Indledning på side 69* for at finde ud af, hvor disse dele er placeret på dit produkt.

Produktets levetid kan forkortes og risikoen for ulykker kan øges, hvis vedligeholdelsen ikke udføres korrekt, og hvis service og/eller reparation ikke udføres fagligt korrekt. Kontakt det nærmeste serviceværksted for at få yderligere oplysninger.



ADVARSEL: Brug aldrig et produkt med beskadiget sikkerhedsudstyr. Produktets sikkerhedsudstyr skal kontrolleres og vedligeholdes som beskrevet i dette afsnit. Klarer produktet ikke alle kontrollerne, skal du kontakte et serviceværksted for at få den repareret.



BEMÆRK: Al service og reparation af maskinen kræver specialuddannelse. Dette gælder især maskinens sikkerhedsudstyr. Hvis maskinen ikke klarer nogen af de nedennævnte kontroller, skal du kontakte

dit serviceværksted. Ved at købe nogle af vores produkter kan du være sikker på at få en faglig korrekt reparation og service. Hvis maskinen er købt et sted, som ikke er en af vores serviceydende forhandlere, skal du spørge dem efter det nærmeste serviceværksted.

Sådan kontrolleres brugergrensefladen

De grønne lysdioder (A) viser batteristatus, når produktet er tændt, men ikke i drift.

1. Tryk på ON/OFF-knappen (B), og hold den inde. (Fig. 26)
 - a) Produktet er tændt, når de grønne lysdioder (A) er tændt.
 - b) Produktet er slukket, når de grønne lysdioder (A) er slukket.
2. Se *Fejlfinding på side 81* hvis advarselsindikatoren (C) tændes eller blinker.

Sådan kontrolleres låsen på strømudløseren

Låsen på strømudløseren forhindrer utilsigtet start. Når du trykker på låsen på strømudløseren (A), frigøres strømudløseren (B). Når grebet om håndtaget slippes, flyttes både strømudløseren og låsen på strømudløseren tilbage i deres udgangspositioner. (Fig. 27)

1. Kontrollér, at strømudløseren er låst, når strømudløseren er i udgangsstillingen. (Fig. 28)
2. Tryk på strømudløseren, og sørg for, at den går tilbage til udgangsstillingen, når du slipper den. (Fig. 29)
3. Kontrollér, at strømudløseren og låsen bevæger sig frit, og at returfederen fungerer korrekt. (Fig. 30)

4. Start produktet. Se *Sådan startes produktet på side 79*.
5. Slip strømudløseren, og sørg for, at skæreudstyret standser helt.

Sådan kontrolleres skæreudstyrsskærmen



ADVARSEL: Brug ikke skæreudstyret uden en godkendt og korrekt monteret skæreudstyrsskærm. Brug altid den anbefalede beskyttelse til det skæreudstyr, du bruger, se *Tekniske data på side 83*. Hvis der monteres forkert eller defekt

skæreudstyrsskærm, kan det forårsage alvorlig personskade.

Skæreudstyrsskærmen standser genstande, som udkastes i retning af brugeren. Skæreudstyrsskærmen forhindrer også skader, som kunne opstå, hvis du berører skæreudstyret.

1. Stop motoren.
2. Se efter skader, f.eks. revner.
3. Udskift skæreudstyrsskærmen, hvis den er beskadiget.

Skæreudstyr

Vælg det rigtige skæreudstyr, og udfør vedligeholdelsesarbejde på skæreudstyr for at:

- Opnå maksimal skarphed.
- Øge skæreudstyrets levetid.



ADVARSEL: Brug kun skæreudstyr sammen med den beskyttelse, som vi anbefaler! Se *Tekniske data på side 83*. Se anvisningerne til skæreudstyret for korrekt indføring af trimmertråd og valg af korrekt diameter for trimmertråd.



ADVARSEL: Defekt skæreudstyr kan øge risikoen for ulykker.

Trimmerhoved



ADVARSEL: Sørg altid for, at trimmertråden er rullet hårdt og jævnt rundt om tromlen for at undgå skadelige vibrationer.

(Fig. 31)

- Brug kun anbefalede trimmerhoveder og trimmertråde.
- Brug kun anbefalet skæreudstyr.
- Mindre maskiner bruger små trimmerhoveder og omvendt.
- Trimmertrådens længde er vigtig. En længere trimmertråd kræver større motorstyrke end en kort med samme diameter på trimmertråden.
- Sørg for, at den kniv, som sidder på trimmerbeskyttelsen, er intakt. Dette skærer trimmertråden til den korrekte længde.
- Læg trimmertråden i blød i vand et par døgn før brug for at forlænge levetiden.

Batterisikkerhed



ADVARSEL: Læs alle sikkerhedsinstruktioner og generelle instruktioner. Hvis du ignorerer

sikkerhedsinstrukser og generelle instruktioner, kan det medføre elektrisk stød, brand og/eller alvorlig tilskadekomst. **Gør alle sikkerhedsoplysninger og generelle instruktioner til senere brug.**

- Denne sikkerhedsvejledning gælder kun for 18 V genopladelige Li-ion-batterier til POWER FOR ALL-systemet.
- Brug kun det genopladelige batteri i produkter fra POWER FOR ALL-systempartnere. 18 V genopladelige batterier, der er mærket med POWER FOR ALL, er fuldt kompatible med følgende produkter:

Alle produkter i 18 V POWER FOR ALL-batterisystemet.

Alle 18 V-produkter fra POWER FOR ALL-systempartnere.

- Overhold batterianbefalingerne i betjeningsvejledningen til dit produkt. Kun på denne måde kan det genopladelige batteri og produktet betjenes uden fare, og de genopladelige batterier er beskyttet mod farlig overbelastning.
- Oplad kun batterierne ved hjælp af opladere, der anbefales af producenten eller af POWER FOR ALL-systempartnere. En lader, der passer til én batteritype, kan udgøre en risiko for brand, når den anvendes med et andet batteri.
- Batteriet leveres delvist opladet. For at sikre fuld batterikapacitet skal du oplade batteriet helt i opladeren, før du bruger elværktøjet første gang.
- Opbevar batteripakker utilgængeligt for børn.
- Åbn ikke batteriet. Der er risiko for kortslutning.
- I tilfælde af skader og forkert brug af batteriet kan der forekomme dampe. Batteriet kan antænde eller eksplodere. Sørg for, at området er godt ventileret, og søg lægehjælp, hvis du oplever bivirkninger. Dampene kan irritere åndedrætssystemet.
- Hvis det anvendes forkert, eller hvis batteriet bliver beskadiget, kan der sive brandfarlig væske ud af batteriet. Kontakt med denne væske skal undgås. Hvis der alligevel sker utilsigtet kontakt med væsken, skal den skylles af med vand. Hvis væsken kommer i kontakt med øjnene, skal du søge yderligere lægehjælp. Væske, der siver ud fra batteriet, kan medføre irritation eller forbrænding.
- Hvis batteriet er beskadiget, kan væsken sive ud og dække nærliggende overflader. Kontrollér de berørte dele. Rengør disse dele, eller udskift dem om nødvendigt.
- Batteripakken må ikke kortsluttes. Når batteripakken ikke anvendes, skal du holde den væk fra andre metalgenstande, såsom papir, clips, mønter, nøgler, søm, skruer eller andre små metalgenstande, der kan kortslutte polerne. Kortslutning af batteripolerne kan forårsage forbrændinger eller brand.
- Batteriet kan blive beskadiget af spidse genstande som f.eks. søm eller skruetrækkere eller af udefrakommende kraft. Der kan opstå en intern

kortslutning, som kan få batteriet til at brænde, ryge, eksplodere eller overophede.

- Der må aldrig udføres service på beskadigede batteripakker. Service på batteripakker bør kun udføres af producenten eller autoriserede serviceudbydere.
- Beskyt batteriet mod varme, f.eks. mod konstant kraftigt sollys, ild, snavs, vand og fugt. Der er risiko for eksplosion og kortslutning.
- Brug kun batteriet i produktet, hvis omgivelsestemperaturen er mellem -5 °C — 40 °C.
- Opbevar kun batteriet ved en omgivende temperatur på mellem -20 °C — 50 °C. Efterlad f.eks. ikke batteriet i din bil om sommeren. Ved temperaturer på < 0 °C kan nogle enheder opleve strømtab.
- Oplad kun batteriet ved en omgivende temperatur på mellem 0 °C — 35 °C. Opladning uden for dette temperaturområde kan øge risikoen for beskadigelse af batteriet og udgøre en brandfare.

Batteriopladersikkerhed



ADVARSEL: Læs alle sikkerhedsinstrukser og generelle instruktioner. Hvis du ignorerer sikkerhedsinstrukser og generelle instruktioner, kan det medføre elektrisk stød, brand og/eller alvorlig tilskadekomst. **Opbevar disse instruktioner på et sikkert sted.** Brug kun opladeren, hvis du fuldt ud kan evaluere alle funktioner og udføre dem uden begrænsninger, eller hvis du har modtaget tilsvarende instruktioner.

- Overvåg børn under brug, rengøring og vedligeholdelse. Dette sikrer, at børn ikke leger med opladeren.
- Oplad kun litium-ion-batterier i 18 V POWER FOR ALL-systemet med en kapacitet på 1,5 Ah eller mere (5 battericeller eller mere). Batterispenningen skal svare til opladerens batteriladespænding. Oplad ikke ikke-genopladelige batterier. Ellers er der risiko for brand og eksplosion.
- Udsæt ikke opladeren for regn eller våde omgivelser. Vand, som trænger ind i et elværktøj, forøger risikoen for elektrisk stød.
- Hold opladeren ren. Snavs udgør en risiko for elektrisk stød.
- Kontrollér altid opladeren, kablet og stikket før brug. Undlad at bruge opladeren, hvis du opdager skader. Åbn ikke opladeren selv, og få den kun repareret af en kvalificeret specialist, der kun anvender originale reservedele. Beskadigede opladere, kabler og stik øger risikoen for elektrisk stød.
- Brug ikke opladeren på en let antændelig overflade (f.eks. papir, tekstiler osv.) eller i et brandfarligt miljø. Der er risiko for brand, fordi opladeren bliver varm under drift.

- **Genoplad kun med den oplader, som producenten foreskriver.** En oplader, der egner sig til en bestemt type batteripakke, kan medføre risiko for brand, hvis den benyttes sammen med en anden batteripakke.
- **I tilfælde af skader og forkert brug af batteriet kan der også forekomme dampe.** Sørg for, at området er godt ventileret, og søg lægehjælp, hvis du oplever bivirkninger. Dampene kan irritere åndedrætssystemet.
- **Hvis batteriet bruges forkert, kan der sive væske ud af det. Kontakt med denne væske skal undgås. Hvis der alligevel sker utilsigtet kontakt med væsken, skal den skylles af med vand. Hvis væsken kommer i kontakt med øjnene, skal du søge yderligere lægehjælp.** Væske, der siver ud fra batteriet, kan medføre irritation eller forbrænding.
- **Tildæk ikke opladerens ventilationsåbninger.** I modsat fald kan opladeren blive overophedet og ikke længere fungerer korrekt.
- **For at undgå sikkerhedsrisici, hvis strømkablet skal udskiftes, skal dette gøres af Husqvarna eller af et kundeservicecenter, der er autoriseret til at reparere elværktøj fra Husqvarna.**
- **Produkter, der kun sælges i Storbritannien:** Dit produkt er udstyret med et BS 1363/A-godkendt elektrisk stik med intern sikring (ASTA-godkendt iht. BS 1362). Hvis stikket ikke passer til dine stikkontakter, skal det afbrydes, og et passende stik skal monteres på stedet af en autoriseret tekniker. Det nye stik skal have samme sikringsstørrelse som det originale stik. Det fjernede stik skal bortskaffes for at undgå risiko for stød og må aldrig indsættes i en stikkontakt et andet sted.



ADVARSEL: Hjertestop! Dette produkt danner et elektromagnetisk felt under drift. Dette felt kan i nogle tilfælde påvirke aktive og passive medicinske implantater. For at reducere risikoen for alvorlige eller dødbringende kvæstelser anbefaler vi,

at personer med medicinske implantater kontakter deres læge og producenten af det medicinske implantat, før de tager produktet i brug.



ADVARSEL: Risiko for kvælning! Små dele kan nemt sluges. Der er også risiko for, at småbørn kan blive kvalt i kunststofposen. Hold småbørn væk, når produktet samles.

Sikkerhedsinstruktioner for vedligeholdelse



ADVARSEL: Læs følgende advarelsinstruktioner, inden du udfører vedligeholdelse på produktet.

- Fjern batteriet, inden du udfører vedligeholdelse, anden kontrol eller samler produktet.
- Brugeren må kun udføre den form for vedligeholdelses- og servicearbejde, der beskrives i denne brugervejledning. Kontakt en servicetekniker i forbindelse med større vedligeholdelses- og serviceopgaver.
- Batteriet eller batteriopladeren må aldrig rengøres med vand. Stærke opløsningsmidler kan beskadige plasten.
- Hvis du ikke udfører vedligeholdelse, reduceres levetiden for produktet og risikoen for ulykker øges.
- Der kræves særlig uddannelse til al service og reparation, især for sikkerhedsanordninger på produktet. Hvis ikke alle kontroller i denne brugsanvisning er godkendt, efter du har udført vedligeholdelse, skal du kontakte din servicetekniker. Vi garanterer, at der er professionelle reparationer og vedligeholdelse til rådighed for dit produkt.
- Brug altid kun originale reservedele.

Montering

Indledning



ADVARSEL: Læs og forstå kapitlet om sikkerhed, før du monterer produktet.

Sådan monteres trimmerskærmen

1. Placér trimmerskærmen mod motorhuset. (Fig. 32)
2. Installer de 2 bolte gennem motorhuset og trimmerskærmen. (Fig. 33)
3. Spænd boltene.

Sådan samles trimmerhovedet

1. Drej den udgående aksel rundt, indtil hullet i medbringerhjulene flugter med det tilsvarende hul i gearhuset.
2. Sæt kombinationsværktøjet ind i hullet, så akslen låses.
3. Drej trimmerhovedet med uret. (Fig. 34)

Sådan installeres blomsterbeskyttelsen

1. Installer blomsterbeskyttelsen i hullerne på motorhuset. (Fig. 35)
2. Kontrollér, at blomsterbeskyttelsen frit kan bevæge sig fremad og bagud. (Fig. 36)

Sådan installeres krogen på væggen

- Installer krogen indendørs.
- Hold krogen væk fra sollys og ved en omgivende temperatur på -10 °C til 70 °C.
- Installer krogen på en gips-, træ- eller betonvæg.



BEMÆRK: Sørg for, at væggen kan bære en last på mindst 30 kg.

- Installer krogen på væggen med de 3 skruer (A). Brug rawplugs (B), hvis det er nødvendigt. (Fig. 37)



BEMÆRK: Sørg for, at skruerne passer til din vægtype.

- Tal med din Husqvarna-servicerepræsentant for at få oplysninger om tilgængeligt tilbehør til opbevaring af dit produkt.

Drift

Indledning



ADVARSEL: Læs og forstå kapitlet om sikkerhed, før du bruger produktet.

Før du bruger produktet

- Undersøg motorens område for at sikre, at du kender terrænet. Undersøg hældningen på jorden, og om der er forhindringer som f.eks. sten, grene og grøfter.
- Foretag en generel inspektion af produktet.
- Udfør alle sikkerhedseftersyn samt service og vedligeholdelse, som fremgår af denne instruktionsbog.
- Undersøg motoren for snavs og revnedannelse. Brug en børste til at rengøre motoren for græs og blade. Brug handsker, når det er nødvendigt.
- Undersøg trimmerhovedet og skæreudstyrsskærmen for skader og revner. Udskift trimmerhovedet og skæreudstyrsskærmen, hvis de er blevet ramt eller er revnet.
- Sørg for, at alle møtrikker og skruer er spændt.
- Sørg for, at alle dæksler, beskyttelsesskærme, håndtag og skæreudstyr er korrekt monteret og er intakte, før du starter produktet.

Batteri



ADVARSEL: Inden brug af produktet skal du læse og sætte dig ind i kapitlet om sikkerhed. Du skal også læse og sætte dig ind i brugervejledningen for batteriet og batteriopladeren.

Opbevar batteriet og batteriopladeren i de korrekte omgivende temperaturer.

	Omgivelsestemperatur
Betjening af batteriet i produktet	-5 °C — 40 °C
Opladning af batteriet	0 °C — 35 °C

Sådan oplades batteriet

Oplad batteriet, inden første ibrugtagning.

Bemærk: Batteriet oplades ikke, hvis batteriets temperatur er højere end +35 °C.

1. Tilslut strømkablet til batteriopladeren til en jordnet stikkontakt.



BEMÆRK: Sørg for, at stikkontakten har den korrekte spænding og frekvens.

2. Sæt batteriet i batteriopladeren. Batteriet er tilsluttet batteriopladeren, når den grønne lysdiode blinker. (Fig. 38)
3. Batteriet er fuldt opladet, når den grønne lysdiode på batteriopladeren er tændt. Oplad batteriet i maks. 24 timer.
4. Tag batteriopladeren ud af stikkontakten.



BEMÆRK: Træk ikke i strømkablet.

5. Fjern batteriet fra batteriopladeren.

Lysdiode for batteristatus på batteriopladeren

Den røde lysdiode (A) og den grønne lysdiode (B) på batteriopladeren viser batteriets ladestand. Se *Lysdiode for batteristatus på produktet på side 79*.

(Fig. 39)

Lysdiode	Batteristatus
Den grønne lysdiode blinker hurtigt.	Batteriet lader op.
Den grønne lysdiode blinker langsomt.	Batteriet er 80% ladet op.
Den grønne lysdiode er tændt.	Batteriet er fuldt opladet.

Lysdiode	Batteristatus
Den røde lysdiode er tændt.	Se <i>Lysdiode for batteristatus på produktet på side 79.</i>
Den røde lysdiode blinker hurtigt.	Se <i>Lysdiode for batteristatus på produktet på side 79.</i>

Lysdiode for batteristatus på produktet

Når batteriet er installeret i produktet, viser lysdioderne på produktet batteristatus.

(Fig. 40)

Lysdiode	Batteristatus
Lysdiode 1, 2 og 3 er tændt.	Fuldt opladet.
Lysdiode 1 og 2 er tændt.	Tilstrækkeligt opladet
Lysdiode 1 er tændt.	Batteriniveauet er lavt.
Lysdiode 1 blinker.	Batteriet er afladet. Batteristatusindikatoren blinker. Oplad batteriet. Se <i>Sådan oplades batteriet på side 78.</i>

Sådan tilsluttes batteriet til produktet



ADVARSEL: Brug kun batteriet sammen med produkter fra 18 V POWER FOR ALL-systemet.

1. Kontrollér, at batteriet er fuldt opladt.
2. Skub batteriet ind i batteriholderen på produktet. Batteriet skal glide let ind i batterirummet. Gør det ikke det, er det ikke monteret korrekt.

(Fig. 41)

3. Batteriet låses på plads, når du hører et klik.

Sådan startes produktet

1. Tryk på Tænd/sluk-knappen, og hold den nede, indtil den grønne LED-indikator tændes. (Fig. 42)
2. Tryk på låsen på strømudløseren og strømudløseren. Skæreudstyret begynder at rotere.

Sådan justeres loophåndtaget og teleskopskaffet

1. Tryk på knappen til justering af loophåndtaget.

(Fig. 43)

2. Juster loophåndtaget til en passende vinkel.
3. Slip knappen til justering af loophåndtaget.
4. Løsn håndtaget på skaffet. (Fig. 44)
5. Indstil den nødvendige længde på akslen.
6. Luk håndtaget, og spænd skruen.

Bemærk: De to loophåndtagspositioner på følgende illustration er kun til transport og/eller opbevaring.

(Fig. 45)

Automatisk slukkefunktion

Dette produkt har en automatisk nedlukningsmetode, der standser produktet, hvis det ikke anvendes. Produktet lukker ned efter 3 minutes.

Betjening af produktet

Sådan trimmes græsset

1. Hold trimmerhovedet lige over jorden, og hold det i vinkel. Tryk ikke trimmertråden ned i græsset. (Fig. 46)
2. Reducer længden af trimmertråden med 8-10 cm.

Sådan ryddes græs

1. Hold trimmerhovedet over jorden.
2. Vip trimmerhovedet til siden.
3. Snit med enden af trimmertråden omkring genstande i arbejdsområdet.



BEMÆRK: Slå græsset. Andre objekter, der rammes af trimmertråden, øger sliddet på trimmertråden.

Sådan klippes græsset

1. Sørg for, at trimmertråden er parallel med underlaget, når du klipper græsset. (Fig. 47)
2. Skub ikke trimmerhovedet ned mod jorden. Det kan forårsage skader på produktet.
3. Flyt produktet fra side til side, når du slår græs. (Fig. 48)

Sådan fejles græsset

Luftstrømmen fra den roterende trimmertråd kan bruges til at fjerne det afskårne græs fra et område.

1. Hold trimmerhovedet og trimmertråden parallelt med jorden og over jorden.
2. Flyt trimmerhovedet fra side til side og fej græsset.



ADVARSEL: Rens trimmerhovedets dæksel, hver gang du monterer en ny trimmertråd for at undgå uligevægt og vibrationer i håndtagene. Efterse også

regelmæssigt andre dele af trimmerhovedet, og rens dem om nødvendigt.

3. Tryk på udløserknapperne på batteriet, og træk batteriet ud af produktet. (Fig. 49)

Sådan standses produktet

1. Slip strømdløseren og låsen på strømdløseren.
2. Tryk på ON/OFF-knappen, indtil den grønne LED slukker.

Sådan udskiftes trimmertråden

Se sidste side i denne brugsanvisning.

Vedligeholdelse

Indledning



ADVARSEL: Læs og forstå sikkerhedskapitlet, før du udfører vedligeholdelse på produktet.

Nedenfor vises en oversigt over det vedligeholdelsesarbejde, der skal udføres på produktet. Se *Vedligeholdelse på side 80* for flere oplysninger.

Vedligeholdelsesskema



ADVARSEL: Fjern batteriet, før du udfører vedligeholdelse.

Vedligeholdelse	Hver dag	Ugentligt	Månedligt
Rengør produktets udvendige overflade med en tør klud. Brug ikke vand.	X		
Kontrollér, at start/stop-knappen fungerer korrekt og ikke er beskadiget.	X		
Kontrollér, at strømdløseren og strømdløserlåsen fungerer i sikkerhedsmæssig henseende.	X		
Sørg for, at alle kontrolenheder fungerer og ikke er beskadiget.	X		
Hold håndtagene tørre, rene og frie for olie og fedt.	X		
Sørg for, at skæreudstyret ikke er beskadiget. Udskift skæreudstyret, hvis det er beskadiget.	X		
Sørg for, at skæreudstyret er intakt. Udskift skæreudstyrsskærmen, hvis den er beskadiget.	X		
Sørg for, at skruer og møtrikker er spændt.	X		
Kontrollér, at udløserknapperne på batteriet fungerer og låser batteriet på plads i produktet.	X		
Kontrollér, at batteriopladeren er intakt og fungerer korrekt.	X		
Sørg for, at batteriet ikke er beskadiget.	X		
Sørg for, at batteriet er opladt.	X		
Sørg for, at batteriopladeren ikke er beskadiget.	X		
Undersøg alle kabler, koblinger og tilslutninger. Sørg for, at de ikke er beskadigede eller snavsede.		X	
Kontrollér forbindelserne mellem batteriet og produktet. Kontrollér forbindelserne mellem batteriet og batteriopladeren.			X

Sådan undersøges batteriet og batteriopladeren

1. Undersøg batteriet for skader, f.eks. revner.
2. Undersøg batteriopladeren for skader, f.eks. revner.
3. Undersøg regelmæssigt, at forbindelsesledningen til batteriopladeren er intakt, og at der ikke er revner i den.

Sådan rengøres produktet, batteriet og batteriopladeren

1. Rengør produktet med en tør klud efter brug.
2. Rengør batteriet og batteriopladeren med en tør klud. Hold batteristyreposerne rene.
3. Sørg for, at polerne på batteriet og batteriopladeren er rene, før batteriet sættes i batteriopladeren eller produktet.

Sådan udføres eftersyn og udskiftning af trimmerhovedet

1. Kontrollér trimmerhovedet for skader og revner.
2. Drej den udgående aksel rundt, indtil hullet i medbringerhjulet flugter med det tilsvarende hul i gearhuset.
3. Sæt kombinationsværktøjet ind i hullet, så akslen låses.
4. Drej trimmerhovedet mod uret.

(Fig. 50)

5. Udskift trimmerhovedet.
6. Saml trimmerhovedet. Se *Sådan samles trimmerhovedet på side 77*.

Fejlfinding

Brugergrænseflade

Problem	Mulige fejl	Mulig løsning
Den grønne start-LED blinker.	Lav batterispænding.	Oplad batteriet.
Den røde fejl-LED blinker.	Overbelastning.	Skæreudstyret kan ikke bevæge sig frit. Udløs skæreudstyret.
	Temperaturafvigelse.	Lad produktet køle ned.
	Strømløseren og startknappen trykkes ind på én gang.	Slip strømløseren, og tryk på startknappen.
Den grønne lysdiode og den røde lysdiode blinker skiftevis.	Batteriet er afladet.	Oplad batteriet.
	Batteriet er beskadiget.	Kontakt din serviceforhandler.

Batterioplader

Lysdiode på batteriopladeren	Årsag	Løsning
Den grønne lysdiode er tændt, og den røde lysdiode blinker.	Batteriet er ikke installeret korrekt i batteriopladeren.	Tag batteriet ud af batteriopladeren, og sæt batteriet i batteriopladeren igen.
	Batteristikkene er snavsede.	Rengør batteriforbindelserne.
	Den omgivende temperatur er for høj eller for lav.	Brug batteriopladeren ved temperaturer på mellem 0 °C og +35 °C.
	Batteriet er defekt.	Udskift batteriet.

Lysdiode på batteriopladeren	Årsag	Løsning
Den grønne lysdiode og den røde lysdiode er slukket.	Batteriopladeren er ikke korrekt tilsluttet til stikkontakten.	Slut batteriopladeren til en stikkontakt.
	Defekt stikkontakt.	Slut batteriopladeren til en strømkilde med den spænding og frekvens, der fremgår af typeskiltet.
	Batteriopladerens kabel er defekt.	Kontakt et godkendt serviceværksted.
	Batteriopladeren er defekt.	
Andre fejl.	Hvis der opstår andre fejl, skal du sørge for, at produktet er slukket, fjerne batteriet og kontakte et godkendt serviceværksted.	

Transport, opbevaring og bortskaffelse

Transport og opbevaring

- De medfølgende li-ion-batterier overholder lovkravene vedrørende farligt gods.
- Overhold de særlige krav vedrørende emballage og etiketter til kommerciel transport, herunder tredjeparter og speditører.
- Tal med en person med specialuddannelse i farligt materiale, før du sender produktet. Overhold alle gældende nationale bestemmelser.
- Sæt tape på åbne kontakter, når batteriet lægges i en pakke. Sørg for, at batteriet ikke kan bevæge sig i pakken.
- Fjern altid batteriet ved opbevaring eller transport.
- Sæt batteriet og batteriopladeren i et rum, der er tørt og fri for fugt og frost.
- Batteriet må ikke opbevares på steder, hvor statisk elektricitet kan forekomme. Opbevar ikke batteriet i en metalkasse.
- Opbevar batteriet ved temperaturer på mellem -20 °C og +50 °C og væk fra direkte sollys.
- Opbevar batteriopladeren ved temperaturer på mellem 5 °C og 45 °C og væk fra direkte sollys.
- Opbevar produktet på steder, hvor temperaturen er mellem -40 °C og +60 °C.
- Brug kun batteriopladeren ved en omgivende temperatur på mellem 0 °C og 35 °C.
- Oplad batteriet 30% til 50%, før du sætter det til opbevaring i længere tid.
- Opbevar batteriopladeren i et rum, der er lukket og tørt.

- Hold batteriet væk fra batteriopladeren under opbevaring. Lad ikke børn og andre ikke-autoriserede personer røre ved udstyret. Opbevar udstyret i et rum, der kan aflåses.
- Rengør produktet, og udfør fuld service, før du sætter produktet til opbevaring i længere tid.
- Brug transportskærmen på produktet for at forhindre personskader eller skader på produktet under transport og opbevaring.
- Fastspænd produktet sikkert under transporten.
- Opbevar produktet vandret, eller hæng produktet på den medfølgende krog. Se *Sådan installeres krogen på væggen på side 78*.

(Fig. 51)

Bortskaffelse af batteriet, batteriopladeren og produktet

Symbolet nedenfor betyder, at produktet ikke er almindeligt husholdningsaffald. Aflever det på en genbrugsstation til elektrisk og elektronisk udstyr. Dette hjælper med at forhindre skader på miljøet og på personer.

Kontakt lokale myndigheder, et renovationselskab eller din forhandler for at få flere oplysninger.

(Fig. 18)

Bemærk: Symbolet vises på produktet eller emballagen til produktet.

Tekniske data

Tekniske data

	Aspire T28-P4A
Motor	
Motor type	PMDC
Omdrejningstal på udgående aksel, o/min.	6800
Klippebredde, mm	280
Vægt	
Vægt uden batteri, kg	2,6
Vægt med batteri (P4A 18-B45/P4A 18-B70), kg	3,0
Støjemissioner ¹⁰	
Lydeffektniveau, målt dB(A)	85
Lydeffektniveau, garanteret L _{WA} dB (A)	88
Støjniveauer ¹¹	
Ækvivalent lydtrykniveau ved brugerens ører målt i henhold til EN ISO 50636-2-91, dB (A)	73
Vibrationsniveauer ¹²	
Vibrationsniveauer i håndtag målt i henhold til EN50636-2-91, m/s ²	2,26/1,61
Udstyret med trimmerhoved (original), front/bag.	

Batteri	P4A 18-B45	P4A 18-B72
Type	Lithiumion	Lithiumion
Batterikapacitet, Ah	Se batteritypeskiltet	Se batteritypeskiltet
Nominal spænding, V	18	18
Vægt, kg	0,4	0,7

Batterioplader	P4A 18-C70
Netspænding, V	220-240

¹⁰ Støjemissioner til omgivelserne målt som lydeffekt (L_{WA}) i henhold til EF-direktiv 2000/14/EF. Forskellen mellem garanteret og målt lydeffekt er, at den garanterede lydeffekt også omfatter spredning i måleresultatet og variationerne mellem forskellige produkter af samme model i henhold til direktivet 2000/14/EF.

¹¹ Rapporterede data for ækvivalent lydtrykniveau for produktet har en typisk statistisk spredning (standardafvigelse) på 3 dB(A).

¹² Rapporterede data for vibrationsniveau har en typisk statistisk spredning (standardafvigelse) på 1,5 m/s².

Batterioplader	P4A 18-C70
Frekvens, Hz	50-60
Effekt, watt	70
Udgangsspænding, V (jævnstrøm)/ Ampere, A	14,4-18,3

Tilbehør

Godkendt tilbehør

Godkendt tilbehør	Type	Skæredstyrsskærm, vare-nr.
Trimmerhoved	A15B M5 (Ø 1,6 mm line)	536 47 32-01

Overensstemmelseserklæring

EU-overensstemmelseserklæring

Vi, **Husqvarna AB**, SE-561 82 Huskvarna, Sverige,
tlf.: +46-36-146500 erklærer under eneansvar, at det
pågældende produkt:

Beskrivelse	Batteridreven græstrimmer
Varemærke	Husqvarna
Type / model	Aspire T28-P4A
Identifikation	Serienumrene fra 2023 og fremefter

overholder følgende EU-direktiver og bestemmelser:

Direktiv/bestemmelser	Beskrivelse
2006/42/EF	"vedrørende maskiner"
2014/30/EU	"vedrørende elektromagnetisk kompatibilitet"
2000/14/EF	"vedrørende støjemissioner til omgivelserne"
2011/65/EU	"om begrænsning af anvendelsen af visse farlige stoffer i elektrisk og elektronisk udstyr"

og at følgende standarder og/eller tekniske
specifikationer anvendes: EN 60335-1:2012/A15:2021,
EN 50636-2-91:2014, EN IEC 63000:2018, EN IEC
55014-1:2021; EN IEC 55014-2:2021.

Udpeget organ: 0158 DEKRA Testing and
Certification GmbH, Handwerkstraße 15, 70565
Stuttgart, Germany har bekræftet, at bestemmelserne
i Rådets direktiv 2000/14/EF, procedure for
overensstemmelsesvurdering: Bilag VI.

Vedr. oplysninger om støjemission, se *Tekniske data på
side 83*.

Huskvarna, 2023-12-14



Claes Losdal, R&D Manager, Husqvarna AB

Ansvarlig for teknisk dokumentation



Licenser

Copyright © 2012–2020 STMicroelectronics

Garantien dækker ikke fejl, der skyldes normal slitage, uagtsomhed, defekt brug, uautoriserede reparationer eller at sugeudstyret er forbundet til forkert spænding.

Alle rettigheder forbeholdes.

Videredistribution og brug i kilde- og binære former, med eller uden ændringer, er tilladt, forudsat at følgende betingelser er opfyldt:

- Videredistribution af kildekode skal indeholde ovenstående meddelelse om ophavsret, denne liste over betingelser og følgende ansvarsfraskrivelse.
- Videredistribution i binær form skal gengive ovenstående meddelelse om ophavsret, denne liste over betingelser og følgende ansvarsfraskrivelse i dokumentationen og/eller andre materialer, der leveres sammen med distributionen.
- Hverken navnet STMicroelectronics eller navnene på deres bidragydere må benyttes til at understøtte eller promovere produkter afledt af denne software uden specifik forudgående skriftlig tilladelse.

DENNE SOFTWARE LEVERES AF INDEHAVERNE AF OPHAVSRETTEEN OG BIDRAGSYDERNE "SOM DEN ER OG FOREFINDES", OG ALLE UDTRYKKELIGE ELLER UNDERFORSTÅEDE GARANTIER, HERUNDER, MEN IKKE BEGRÆNSET TIL UNDERFORSTÅEDE GARANTIER FOR SALGBARHED OG EGNETHED TIL ET BESTEMT FORMÅL FRASKRIVES. UNDER INGEN OMSTÆNDIGHEDER ER INDEHAVEREN AF OPHAVSRETTEEN ELLER BIDRAGSYDERNE ANSVARLIGE FOR NOGEN DIREKTE, INDIREKTE, TILFÆLDIGE, SÆRLIGE, EKSEMPLARISKE ELLER FØLGESKADER (HERUNDER, MEN IKKE BEGRÆNSET TIL ANSKAFFELSE AF ERSTATNINGSVARER ELLER -TJENESTER, TAB AF BRUG, DATA ELLER FORTJENESTE ELLER DRIFTSAFBRYDELSE) UANSET ÅRSAG OG ENHVER FORM FOR ERSTATNINGSANSVAR, UANSET OM DET ER I KONTRAKT, OBJEKTIVT ANSVAR ELLER SKADEVOLDENDE HANDLING (HERUNDER FORSØMMELIGHED ELLER ANDET), DER OPSTÅR PÅ NOGEN MÅDE FRA BRUGEN AF DENNE SOFTWARE, SELV OM DET ER BLEVET OPLYST OM MULIGHEDEN FOR EN SÅDAN SKADE.

Apache 2.0 licens

Copyright © 2009-2019 Arm Limited. Alle rettigheder forbeholdes.

Version 2.0, januar 2004 <http://www.apache.org/licenses/>

VILKÅR OG BETINGELSER FOR BRUG, REPRODUKTION OG DISTRIBUTION

1. Definitioner.

"**Licens**" betyder vilkår og betingelser for brug, reproduktion og distribution som defineret i afsnit 1 til 9 i dette dokument. "**Licensgiver**" betyder ejeren af ophavsretten eller enheden, der er autoriseret af ejeren af ophavsretten, som leverer licensen. "**Juridisk enhed**" betyder samarbejdet mellem den handlende enhed og alle andre enheder, der kontrollerer, kontrolleres af eller er under fælles kontrol af den pågældende enhed. I forbindelse med denne definition betyder "**kontrol**" (i) evnen, direkte eller indirekte, til at forårsage styringen eller ledelsen af en sådan enhed, uanset om det er i henhold til kontrakt eller andet, eller (ii) ejerskab af halvtreds procent (50 %) eller mere af de udestående aktier, eller (iii) egentligt ejerskab af en sådan enhed. "**Du**" (eller "**din**") betyder en individuel eller juridisk enhed, der udfører tilladelser, som leveres af denne licens. "**Kilde**"-form betyder den foretrukne form til at foretage ændringer, herunder, men ikke begrænset til, softwarekildekode, dokumentationskilde og konfigurationsfiler. "**Objekt**"-form betyder enhver form, der er et resultat af mekanisk transformation eller oversættelse af en kildeformular, herunder, men ikke begrænset til kompileret objektkode, genereret dokumentation og konverteringer til andre medietyper. "**Arbejde**" betyder arbejdet fra forfatterskabet, uanset om det er i kilde- eller objekt-form, gjort tilgængeligt under licensen, som angivet af en meddelelse om ophavsret, der er inkluderet i eller vedhæftet arbejdet (der findes et eksempel i bilaget nedenfor). "**Afledte arbejder**" betyder alt arbejde, uanset om det er i kilde- eller objektform, som er baseret på (eller afledt af) arbejdet, og for hvilket de redaktionelle revisioner, annotationer, uddybninger eller andre modifikationer repræsenterer som helhed et originalt arbejde. I forbindelse med denne licens omfatter afledte arbejder ikke arbejder, der fortsat kan adskilles fra, eller blot sammenkædes (eller bindes af navn) med grænsefladerne i arbejdet og afledte arbejder deraf. "**Bidrag**" betyder ethvert arbejde fra forfatterskabet, herunder den oprindelige version af arbejdet og eventuelle ændringer eller tilføjelser til dette arbejde eller afledte arbejder deraf, som bevidst indsendes til licensgiver med henblik på inkludering i arbejdet af ejeren af ophavsretten eller af en individuel eller juridisk enhed, der er autoriseret til at indsende på vegne af ejeren af ophavsretten. I forbindelse med denne definition betyder "**Indsendt**" enhver form for elektronisk, verbal eller skriftlig kommunikation, der sendes til licensgiveren eller dennes repræsentanter, herunder, men ikke begrænset til kommunikation via elektroniske mail-liste, kildekodestyringssystemer og problemsporingssystemer, der administreres af eller på vegne af licensgiver med det formål at diskutere og forbedre arbejdet, men ikke kommunikation der tydeligt er markeret eller på anden måde angivet skriftligt af ejeren af ophavsretten som "**ikke et bidrag**". "**Bidragyder**" betyder licensgiver og enhver individuel eller juridisk enhed, på hvis vegne et bidrag er modtaget af licensgiver og efterfølgende indarbejdet i arbejdet.

2. Tildeling af Copyright-licens.

I henhold til vilkårene og betingelserne i denne licens giver hver bidragyder dig hermed en evig, verdensomspændende, ikke-eksklusiv, vederlagsfri, royaltystri, uigenkaldelig copyright-licens til at reproducere, forberede afledte arbejder af, offentligt vise, offentligt udføre, viderelicensere og distribuere arbejdet og sådanne afledte arbejder i kilde- eller objektform.

3. Tildeling af patentlicens.

I henhold til vilkårene og betingelserne i denne licens giver hver bidragyder dig hermed en evig, verdensomspændende, ikke-eksklusiv, vederlagsfri, royaltystri, uigenkaldelig (undtagen som anført i dette afsnit) patentlicens til at fremstille, få udført, anvende, tilbyde at sælge, sælge, importere og på anden måde overføre arbejdet, hvor en sådan licens kun gælder for de patentkrav, som en sådan bidragyder har licens til, og som nødvendigvis krænktes af deres bidrag alene eller ved at kombinere deres bidrag med det arbejde, som sådanne bidrag blev indsendt til. Hvis du indleder en patentretssag mod en enhed (herunder en modfordring eller et modkrav i en retssag) med påstand om, at arbejdet eller et bidrag, der er inkorporeret i arbejdet, udgør en direkte eller medvirkende patentkrænkelser, ophører alle patentlicenser, der er givet til dig i henhold til denne licens for det pågældende arbejde fra den dato, hvor en sådan retssag er indbragt.

4. Viderefordring.

Du må reproducere og distribuere kopier af arbejdet eller afledte værker deraf i ethvert medie med eller uden ændringer og i kilde- eller objektform, forudsat at du opfylder følgende betingelser:

- Du skal give alle andre modtagere af arbejdet eller afledte arbejder en kopi af denne licens, og
- Du skal sørge for, at alle ændrede filer indeholder fremtrædende meddelelser om, at du har ændret filerne. Og du skal bevare i kildeform af ethvert afledt værk, som du distribuerer, alle ophavsrets-, patent-, varemærke- og tilskrivningsmeddelelser fra kildeformen af arbejdet, undtagen de meddelelser der ikke vedrører nogen del af de afledte arbejder.
- Hvis arbejdet omfatter en "**MEDDELELSETEKSTFIL**" som en del af dens distribution, så skal alle afledte værker, som du distribuerer inkludere en læsbar kopi af de tilføjede meddelelser indeholdt i en sådan MEDDELELSESFIL, eksklusive de meddelelser der ikke vedrører nogen del af de afledte arbejder, på mindst ét af følgende steder: Inden for en MEDDELELSETEKSTFIL, der distribueres som en del af de afledte arbejder, inden for kildeform eller dokumentation, hvis den leveres sammen med de afledte arbejder eller inden for en visning genereret af de afledte arbejder, hvis og hvor sådanne meddelelser fra tredjeparter normalt vises. Indholdet af MEDDELELSESFILen er kun til orientering og

ændrer ikke licensen. Du kan tilføje dine egne tilskrivningsmeddelelser i afledte arbejder, som du distribuerer ved siden af eller som et tillæg til MEDDELELSETEKSTEN fra arbejdet, forudsat at sådanne yderligere tilføjede meddelelser ikke kan fortolkes som modificering af licensen. Du kan tilføje din egen erklæring om ophavsret til dine ændringer, og du kan tilbyde yderligere eller andre licensvilkår og -betingelser for brug, reproduktion eller distribution af dine modifikationer eller for ethvert sådant afledt værk som helhed, forudsat at din brug, gengivelse og distribution af arbejdet overholder de øvrige betingelserne i denne licens.

5. Indsendelse af bidrag.

Medmindre du udtrykkeligt angiver andet, skal ethvert bidrag, som du tilsigtet indsender til licensgiver med henblik på inklusion i arbejdet, være underlagt vilkårene og betingelserne. Uanset ovenstående vil intet heri erstatte eller ændre vilkårene i en separat licensaftale, som du måtte have indgået med licensgiver vedrørende sådanne bidrag.

6. Varemærker.

Denne licens giver ikke tilladelse til at bruge licensgiverens handelsnavne, varemærker, servicemærker eller produktnavne, medmindre det er nødvendigt for rimelig og sædvanlig brug til at beskrive arbejdets oprindelse og reproducere indholdet af MEDDELELSESFILen.

7. Garantiforskrivelse.

Medmindre det kræves af gældende lovgivning eller er aftalt skriftligt, leverer licensgiveren arbejdet (og hver bidragyder leverer sine bidrag) på en "SOM DET ER OG FOREFINDES"-BASIS UDEN GARANTIER ELLER BETINGELSER AF NOGEN ART hverken udtrykkelige eller underforståede herunder og uden begrænsninger garantier eller betingelser for ADKOMST, IKKE-KRÆNKELSE, SALGBARHED ELLER EGNETHED TIL ET BESTEMT FORMÅL. Du alene er ansvarlig for at afgøre, om det er hensigtsmæssigt at bruge eller omfordele arbejdet og påtage dig eventuelle risici i forbindelse med din udøvelse af tilladelser i henhold til denne licens. 8. Ansvarsbegrænsning. Under ingen omstændigheder og under ingen juridisk form uanset om det er uden for kontrakt (herunder forsømmelighed) kontrakt eller andet, medmindre det kræves af gældende lov (f.eks. forsættelige og groft uagtsomme handlinger) eller aftalt skriftligt, er enhver bidragyder ansvarlig over for dig for skader, herunder direkte, indirekte, særlige, tilfældige eller følgeskader af nogen art, der opstår som følge af denne licens eller som følge af brug eller manglende evne til at bruge arbejdet (herunder, men ikke begrænset til skader som følge af tab af goodwill, driftsstop, computerfejl eller fejlfunktioner eller alle andre kommercielle skader eller tab), selv hvis en sådan bidragyder er blevet informeret om muligheden for sådanne skader.

9. Accept af garanti eller yderligere ansvar.

I forbindelse med omfordeling af arbejdet eller afledte arbejder deraf kan du vælge at tilbyde og opkræve et gebyr for, accept af support, garanti, erstatning eller andre ansvarsforpligtelser og/eller rettigheder i overensstemmelse med denne licens. Men når du accepterer sådanne forpligtelser, må du kun handle på

dine egne vegne og dit eget ansvar, ikke på vegne af nogen anden bidrager, og kun hvis du accepterer at skadesløsholde, forsvare og holde hver bidrager skadesløs for ethvert ansvar, som pådrages af, eller krav der fremsættes mod en sådan bidrager på grund af din accept af en sådan garanti eller yderligere ansvar.
OPHØR AF VILKÅR OG BETINGELSER

Inhalt

Einleitung.....	88	Transport, Lagerung und Entsorgung.....	103
Sicherheit.....	90	Technische Angaben.....	104
Montage.....	98	Zubehör.....	106
Betrieb.....	98	Konformitätserklärung.....	107
Wartung.....	100	Lizenzen.....	108
Fehlerbehebung.....	102	Anhang	507

Einleitung

Produktbeschreibung

Husqvarna Aspire T28-P4A ist ein akkubetriebener Rasentrimmer mit einem Elektromotor.

Wir arbeiten laufend daran, Ihre Sicherheit und die Effektivität während des Betriebs zu verbessern. Ihr Servicehändler steht Ihnen gern für weitere Informationen zur Verfügung.

Verwendungszweck

Das Gerät wird mit einem Trimmerkopf zum Grasschneiden verwendet. Verwenden Sie das Gerät

nicht für andere Zwecke als Grastrimmen und Grasfreischneiden.

Hinweis: Der Betrieb des Geräts kann durch nationale Vorschriften eingeschränkt werden.

Kurzanleitung

Scannen Sie den QR-Code, um Hinweise zur Verwendung des Geräts zu erhalten.

(Abb. 20)

Produktübersicht

(Abb. 1)

1. Trimmerkopf
2. Schutz für die Schneidausrüstung
3. Pflanzenschutz
4. SchaftEinstellung (Teleskop)
5. Führungsrohr
6. Loophandgriff
7. Wartungsgehäuse
8. Einstelltaste für den Loophandgriff
9. Anwenderschnittstelle
10. Warnanzeige
11. Ladezustandsanzeige
12. Ein-/Aus-Schalter
13. Gashebel
14. Gashebelsperre
15. Akku (P4A 18-B45)
16. Akkuentriegelungstaste
17. Akku (P4A 18-B72)
18. Ladegerät (P4A 18-C70)
19. Verbinder

20. Betriebs- und Warnanzeige
21. Kombinationswerkzeug
22. Wandhaken
23. Schrauben und Dübel für Wandhaken
24. Bedienungsanleitung

Symbole auf dem Gerät

(Abb. 2) **WARNUNG:** Dieses Gerät kann gefährlich sein und schwere oder tödliche Verletzungen des Bedieners oder anderer Personen verursachen. Gehen Sie vorsichtig vor, und verwenden Sie das Gerät ordnungsgemäß.

(Abb. 3) Lesen Sie die Bedienungsanleitung sorgfältig durch, und machen Sie sich vor der Benutzung mit dem Inhalt vertraut.

(Abb. 4) Verwenden Sie einen Augenschutz.

- | | | | |
|-------------------|---|-------------------|--|
| (Abb. 5) | Verwenden Sie das Gerät nicht bei Regen. | (Abb. 4) | Verwenden Sie einen Augenschutz. |
| (Abb. 6) | Etikett mit Geräuschemission gemäß EU- und UK-Richtlinien und Verordnungen sowie der australischen „Protection of the Environment Operations (Noise Control) Regulation 2017“ (Umweltschutz-/ Lärmschutzbestimmung) von New South Wales. Der garantierte Schalleistungspegel des Geräts ist unter <i>Technische Angaben auf Seite 104</i> . | (Abb. 5) | Verwenden Sie das Gerät nicht bei Regen. |
| (Abb. 7) | Trennen Sie den Akku vor der Wartung. | (Abb. 6) | Etikett mit Geräuschemissionen gemäß EU- und UK-Verordnungen und Richtlinien (plus Verordnungen aus New South Wales). Daten zu Geräuschemissionen sind auf dem Geräteschild und im Abschnitt „Technische Daten“ angegeben. |
| (Abb. 8) | Das Gerät und die Verpackung des Geräts dürfen nicht über den Hausmüll entsorgt werden. Recyceln Sie es an einer Recyclingstation für elektrische und elektronische Geräte. | (Abb. 7) | Trennen Sie den Akku vor der Wartung. |
| (Abb. 9) | Achten Sie auf hochgeschleuderte Gegenstände. | (Abb. 8) | Das Gerät und die Verpackung des Geräts dürfen nicht über den Hausmüll entsorgt werden. Recyceln Sie es an einer Recyclingstation für elektrische und elektronische Geräte. |
| (Abb. 10) | Verwenden Sie keine Metallklingen. | (Abb. 9) | Achten Sie auf hochgeschleuderte Gegenstände. |
| (Abb. 11) | Das Gerät entspricht den geltenden EU-Richtlinien. | (Abb. 10) | Verwenden Sie keine Metallklingen. |
| (Abb. 12) | Das Gerät entspricht den geltenden UK-Richtlinien. | (Abb. 11) | Das Gerät entspricht den geltenden EU-Richtlinien. |
| (Abb. 13) | Gleichstrom. | (Abb. 12) | Gleichstrom. |
| (Abb. 17) | Der Abstand zwischen der Maschine und umstehenden Personen muss mindestens 15 m (50 Fuß) betragen. | (Abb. 13) | Der Abstand zwischen der Maschine und umstehenden Personen muss mindestens 15 m (50 Fuß) betragen. |
| yyyywwxxxx | Auf dem Typenschild oder der Lasergravur ist die Seriennummer angegeben. yyyy ist das Produktionsjahr und ww steht für die Produktionswoche. | yyyywwxxxx | Auf dem Typenschild oder der Lasergravur ist die Seriennummer angegeben. yyyy ist das Produktionsjahr und ww steht für die Produktionswoche. |

Symbole auf dem Gerät

- | | |
|----------|---|
| (Abb. 2) | WARNUNG: Dieses Gerät kann gefährlich sein und schwere oder tödliche Verletzungen des Bedieners oder anderer Personen verursachen. Gehen Sie vorsichtig vor, und verwenden Sie das Gerät ordnungsgemäß. |
| (Abb. 3) | Lesen Sie die Bedienungsanleitung sorgfältig durch, und machen Sie sich vor der Benutzung mit dem Inhalt vertraut. |

Symbole auf dem Akku und/oder auf dem Ladegerät

- | | |
|-----------|---|
| (Abb. 18) | Recyceln Sie dieses Gerät an einer Recyclingstation für elektrische und elektronische Geräte. (Gilt nur für Europa) |
| (Abb. 19) | Verwenden Sie den Akku nur in Produkten von POWER FOR ALL-Systempartnern. |

- (Abb. 14) Störungsfreier Transformator.
- (Abb. 15) Das Akkuladegerät darf nur in geschlossenen Räumen benutzt und aufbewahrt werden.
- (Abb. 16) Doppelt isoliert.

- das Gerät mit Teilen repariert wird, die nicht vom Hersteller stammen oder nicht vom Hersteller zugelassen sind.
- ein Zubehörteil mit dem Gerät verwendet wird, das nicht vom Hersteller stammt oder nicht vom Hersteller zugelassen ist.
- das Gerät nicht bei einem zugelassenen Service Center oder von einem zugelassenen Fachmann repariert wird.

Produktschäden

Wir haften nicht für Schäden an unserem Produkt, wenn:

- das Gerät nicht ordnungsgemäß repariert wird.

Hersteller

Husqvarna AB
SE-561 82, Huskvarna, Sweden

Sicherheit

Sicherheitsdefinitionen

Warnungen, Vorsichtsmaßnahmen und Hinweise werden verwendet, um auf besonders wichtige Teile der Bedienungsanleitung hinzuweisen.



WARNUNG: Wird verwendet, wenn bei Nichtbeachtung der Anweisungen in diesem Handbuch die Gefahr von Verletzung oder Tod des Bedieners oder anderer Personen besteht.



ACHTUNG: Wird verwendet, wenn bei Nichtbeachtung der Anweisungen in diesem Handbuch die Gefahr von Schäden am Gerät, an anderen Materialien oder in der Umgebung besteht.

Hinweis: Für weitere Informationen, die in bestimmten Situationen nötig sind.

Allgemeine Sicherheitshinweise für Elektrowerkzeuge



WARNUNG: Lesen Sie sämtliche Sicherheitshinweise und Anweisungen durch. Wenn Sie die Warn- und Sicherheitshinweise nicht befolgen, kann dies zu Elektroschock, Brand und/oder schweren Verletzungen führen.

Hinweis: Bewahren Sie alle Warnhinweise und Anweisungen für spätere Referenzzwecke auf. Der Begriff „Elektrowerkzeug“ in den Warnhinweisen bezieht sich auf ein Elektrowerkzeug mit Netzbetrieb (über ein Kabel) oder mit Akkubetrieb (kabellos).

Kontrolle vor dem Start

- Entnehmen Sie stets den Akku, um den versehentlichen Start des Geräts zu verhindern. Entfernen Sie stets den Akku, bevor Sie das Gerät warten.
- Vor Gebrauch des Geräts und nach jedem Schlag oder Stoß muss das Gerät auf Anzeichen von Verschleiß oder Schäden überprüft und ggf. repariert werden.
- Überprüfen Sie den Arbeitsbereich. Entfernen Sie alle losen Gegenstände, z. B. Steine, Glasscherben, Nägel, Drähte, Schnüre, usw., die weggeschleudert werden oder sich in der Schneidausrüstung oder Schutzausrüstung verfangen können.
- Prüfen Sie den Motor auf Verschmutzungen und Risse. Entfernen Sie Gras und Blätter mit Hilfe einer Bürste aus dem Motor. Handschuhe sind dann zu tragen, wenn dies notwendig ist.
- Prüfen Sie, ob der Trimmerkopf fest am Trimmer angebracht ist.
- Prüfen Sie, ob sich das Gerät in einwandfreiem Arbeitszustand befindet. Kontrollieren Sie, ob alle Muttern und Schrauben angezogen sind.
- Überprüfen Sie Trimmerkopf und Trimmerschutz auf Schäden und Risse. Wenn Trimmerkopf oder Trimmerschutz Risse haben oder Schlägen ausgesetzt gewesen sind, müssen sie ausgetauscht werden. Verwenden Sie stets den empfohlenen Schutz für die jeweilige Schneidausrüstung. Siehe Kapitel Technische Daten.
- Der Bediener des Geräts hat darauf zu achten, dass während der Arbeit keine Menschen oder Tiere näher als 15 m an herankommen. Wenn mehrere Bediener am gleichen Einsatzort tätig sind, muss der Sicherheitsabstand mindestens 15 Meter betragen.
- Führen Sie vor dem Gebrauch des Geräts eine Gesamtüberprüfung durch. Siehe Wartungsplan.
- Nationale oder regionale Bestimmungen regeln ggf. die Verwendung. Beachten Sie die jeweils gültigen Bestimmungen.

Sicherheit im Arbeitsbereich

- **Sorgen Sie für einen sauberen und gut ausgeleuchteten Arbeitsbereich.** Durch zugestellte oder dunkle Arbeitsbereiche steigt die Unfallgefahr stark an.
- **Betreiben Sie Elektrowerkzeuge niemals an Orten, an denen Explosionsgefahr besteht, z. B. in der Nähe von leicht entzündlichen Flüssigkeiten, Gasen oder Staubsammlungen.** Bei der Arbeit mit Elektrowerkzeugen kann es zu Funkenbildung kommen, wodurch sich Staub oder Dämpfe entzünden können.
- **Sorgen Sie bei der Arbeit mit Elektrowerkzeugen dafür, dass sich keine Kinder oder unbefugte Personen in der Nähe befinden.** Durch Ablenkungen können Sie die Kontrolle über das Werkzeug verlieren.

Elektrische Sicherheit

- **Die Netzstecker von Elektrowerkzeugen müssen zur Steckdose passen. Der Netzstecker darf in keiner Weise verändert werden. Verwenden Sie bei Elektrowerkzeugen mit Schutzkontakt (geerdet) niemals Adapterstecker.** Nicht modifizierte Stecker und Steckdosen reduzieren das Risiko eines Elektroschocks.
- **Vermeiden Sie Körperkontakt mit geerdeten Gegenständen wie Rohrleitungen, Heizungen, Herden oder Kühlschränken.** Bei Körperkontakt mit geerdeten Gegenständen besteht ein erhöhtes Stromschlagrisiko.
- **Setzen Sie Elektrowerkzeuge niemals Regen oder sonstiger Feuchtigkeit aus.** Wenn Wasser in ein Elektrowerkzeug eindringt, erhöht sich das Stromschlagrisiko.
- **Verwenden Sie das Anschlusskabel nicht missbräuchlich. Verwenden Sie das Anschlusskabel niemals zum Tragen oder Heranziehen des Elektrowerkzeugs, und ziehen Sie den Stecker nicht am Anschlusskabel aus der Steckdose. Halten Sie das Kabel fern von Hitzequellen, Öl, scharfen Kanten und beweglichen Teilen.** Beschädigte oder verdrehte Anschlusskabel erhöhen das Stromschlagrisiko.
- **Wenn Sie ein Elektrowerkzeug im Freien benutzen, verwenden Sie ein für den Außeneinsatz geeignetes Verlängerungskabel.** Die Verwendung eines für den Außeneinsatz geeigneten Kabels verringert das Risiko eines Stromschlags.
- **Falls der Einsatz eines Elektrowerkzeugs in einer feuchten Umgebung nicht zu vermeiden ist, benutzen Sie eine Stromversorgung mit FI-Schutzschalter (RCD).** Die Verwendung einer Fehlerstrom-Schutzeinrichtung (RCD) verringert das Risiko eines elektrischen Schlags.

Persönliche Sicherheit

- **Bleiben Sie aufmerksam, achten Sie auf das, was Sie tun, und setzen Sie**

gesunden Menschenverstand ein, wenn Sie mit Elektrowerkzeugen arbeiten. Benutzen Sie keine Elektrowerkzeuge, wenn Sie müde sind oder unter dem Einfluss von Drogen, Alkohol oder Medikamenten stehen. Bei der Arbeit mit Elektrowerkzeugen können bereits kurze Phasen der Unaufmerksamkeit zu schweren Verletzungen führen.

- **Benutzen Sie eine persönliche Schutzausrüstung. Tragen Sie stets einen Augenschutz.** Schutzausrüstung wie Atemschutzmaske, rutschsichere Sicherheitsschuhe, Schutzhelm und Gehörschutz senkt bei angemessenem Einsatz das Verletzungsrisiko.
- **Vermeiden Sie ein versehentliches Starten. Achten Sie darauf, dass sich der Schalter in der Aus-Stellung befindet, bevor Sie das Elektrowerkzeug an die Stromversorgung und/oder den Akku anschließen oder es hochheben oder herumtragen.** Durch Herumtragen von Elektrowerkzeugen mit dem Finger am Schalter und das Einstecken des Steckers bei betätigtem Schalter steigt das Unfallrisiko stark an.
- **Entfernen Sie sämtliche Einstellschlüssel, bevor Sie das Elektrowerkzeug einschalten.** Ein an einem beweglichen Teil des Elektrowerkzeugs angebrachter Schlüssel kann zu Verletzungen führen.
- **Sorgen Sie für einen festen Stand. Achten Sie jederzeit darauf, sicher zu stehen und das Gleichgewicht zu bewahren.** Dadurch haben Sie das Elektrowerkzeug in unerwarteten Situationen besser im Griff.
- **Kleiden Sie sich richtig. Tragen Sie niemals lose sitzende Kleidung oder Schmuck. Halten Sie Haar und Kleidung von beweglichen Teilen fern.** Lose Kleidung, Schmuck oder langes Haar kann von beweglichen Teilen erfasst werden.
- **Wenn Anschlüsse für Staubabsaug- und Staubsammelvorrichtungen vorhanden sind, sorgen Sie dafür, dass diese richtig angeschlossen und eingesetzt werden.** Die Verwendung von Staubsammelvorrichtungen vermindert durch Staub verursachte Gefahren.
- **Lassen Sie nicht zu, dass Sie wegen Vertrautheit durch häufige Verwendung der Werkzeuge selbstgefällig werden und die Sicherheitsgrundsätze der Werkzeuge ignorieren.** Eine achtlose Handlung kann im Bruchteil einer Sekunde zu schweren Verletzungen führen.
- Die Vibrationsemissionen während der tatsächlichen Verwendung des Elektrowerkzeugs können abhängig von der Verwendungsart des Werkzeugs vom angegebenen Gesamtwert abweichen. Bediener sollten Sicherheitsmaßnahmen für den eigenen Schutz ergreifen, die auf einer Beurteilung der Exposition unter tatsächlichen Nutzungsbedingungen beruht. Dabei sind alle Teile des Betriebszyklus zu berücksichtigen, z. B. abgesehen vom Gashebelbetrieb, die Zeiten, wenn

das Werkzeug ausgeschaltet ist und wenn es im Leerlauf betrieben wird.

Verwendung und Pflege von Elektrowerkzeugen

- **Überbeanspruchen Sie Elektrowerkzeuge nicht. Benutzen Sie das richtige Elektrowerkzeug für Ihren Einsatzzweck.** Das richtige Elektrowerkzeug erledigt seine Arbeit bei bestimmungsgemäßem Einsatz besser und sicherer.
- **Benutzen Sie das Elektrowerkzeug nicht, wenn es sich nicht am Schalter ein- und ausschalten lässt.** Jedes Elektrowerkzeug, das nicht mit dem Schalter betätigt werden kann, stellt eine Gefahr dar und muss repariert werden.
- **Trennen Sie das Elektrowerkzeug von der Stromversorgung, bzw. entfernen Sie den Akku, bevor Sie Einstellungen vornehmen, Zubehörteile austauschen oder das Elektrowerkzeug verstauen.** Solche präventiven Sicherheitsmaßnahmen verhindern den unbeabsichtigten Start des Elektrowerkzeugs.
- **Lagern Sie nicht benutzte Elektrowerkzeuge außerhalb der Reichweite von Kindern, und lassen Sie nicht zu, dass Personen das Elektrowerkzeug bedienen, die nicht mit dem Werkzeug selbst und/oder diesen Anweisungen vertraut sind.** Elektrowerkzeuge stellen in ungeschulten Händen eine Gefahr dar.
- **Warten Sie Elektrowerkzeuge und Zubehör. Prüfen Sie auf Fehlausrichtungen, sicheren Halt und Leichtgängigkeit beweglicher Teile, Beschädigungen von Teilen sowie auf jegliche andere Zustände, die sich auf den Betrieb des Elektrowerkzeugs auswirken können. Bei Beschädigungen lassen Sie das Elektrowerkzeug reparieren, bevor Sie es benutzen.** Viele Unfälle mit Elektrowerkzeugen sind auf schlechte Wartung zurückzuführen.
- **Halten Sie Schneidwerkzeuge scharf und sauber.** Ordnungsgemäß gewartete Schneidwerkzeuge mit scharfen Schneidkanten bleiben seltener hängen und sind einfacher zu bedienen.
- **Benutzen Sie Elektrowerkzeuge, Zubehör, Werkzeugeinsätze und Ähnliches in Übereinstimmung mit diesen Anweisungen und auf die für das jeweilige Elektrowerkzeug bestimmungsgemäße Weise, und beachten Sie dabei die jeweiligen Arbeitsbedingungen und die Art der auszuführenden Arbeiten.** Der Einsatz eines Elektrowerkzeugs für Zwecke, die von den hier angegebenen abweichen, kann zu Gefahrensituationen führen.
- **Halten Sie die Handgriffe und Griffflächen trocken, sauber und frei von Öl und Fett.** Wenn Handgriffe und Griffflächen rutschig sind, kann das Werkzeug in unerwarteten Situationen nicht sicher bedient und kontrolliert werden.

Verwendung und Pflege von akkubetriebenen Werkzeugen

- **Eine Aufladung darf nur mit dem vom Hersteller vorgeschriebenen Ladegerät durchgeführt werden.** Durch ein für einen bestimmten Akkutyp geeignetes Ladegerät kann Brandgefahr entstehen, wenn es für einen anderen Akku verwendet wird.
- **Verwenden Sie Geräte nur mit speziell für sie ausgezeichneten Akkus.** Die Verwendung anderer Akkus kann zu Verletzungs- und Brandgefahr führen.
- **Wird der Akku nicht verwendet, halten Sie ihn von Metallgegenständen wie Büroklammer, Münzen, Schlüsseln, Nägeln, Schrauben oder anderen kleineren Metallobjekten fern, da es zu einer Überbrückung der Kontakte kommen könnte.** Durch Kurzschluss der Akkuklemmen kann es zu Verbrennungen oder Bränden kommen.
- **Unter missbräuchlichen Bedingungen kann Flüssigkeit aus dem Akku austreten; vermeiden Sie Kontakt damit. Bei versehentlichem Hautkontakt sofort mit Wasser abspülen. Sollten Ihre Augen damit in Berührung gekommen sein, suchen Sie sofort ärztliche Hilfe auf.** Durch austretende Flüssigkeit aus dem Akku kann es zu Reizungen oder Verbrennungen kommen.
- **Verwenden Sie keinen Akku und kein Werkzeug, der bzw. das defekt ist oder modifiziert wurde.** Beschädigte oder modifizierte Akkus können ein unvorhersehbares Verhalten aufweisen, welches zu Feuer, Explosionen oder Verletzungsgefahren führen kann.
- **Setzen Sie Akku oder Werkzeug niemals Feuer oder sehr hohen Temperatur aus.** Feuer oder Temperaturen über 130 °C/265 F können zu einer Explosion führen.
- **Befolgen Sie die Ladeanweisungen und laden Sie den Akku oder das Werkzeug niemals bei Temperaturen außerhalb den in der Anleitung angegebenen Temperaturbereichen auf.** Unsachgemäßes Aufladen oder Aufladen bei Temperaturen außerhalb des angegebenen Bereichs kann den Akku beschädigen und die Brandgefahr erhöhen.

Service

- **Lassen Sie das Elektrowerkzeug von einem qualifizierten Fachmann reparieren, und bestehen Sie darauf, dass nur Originalersatzteile verwendet werden.** Auf diese Weise wird dafür gesorgt, dass die Sicherheit des Elektrowerkzeugs nicht beeinträchtigt wird.
- **Warten Sie niemals beschädigte Akkus.** Akkus dürfen nur vom Hersteller oder von autorisierten Serviceanbietern gewartet werden.

Arbeiten Sie stets mit gesundem Menschenverstand!

Es ist unmöglich, hier alle denkbaren Situationen zu beschreiben. Stets vorsichtig vorgehen und mit gesundem Menschenverstand arbeiten. Vermeiden Sie Situationen, denen Sie sich nicht gewachsen fühlen. Wenn Sie sich nach dem Lesen dieser Anweisungen immer noch unsicher fühlen, wie Sie vorgehen sollen, bitten Sie einen Fachmann um Rat, bevor Sie fortfahren.



WARNUNG: Erlauben Sie niemals Kindern, das Gerät zu benutzen oder sich in seiner Nähe aufzuhalten. Da das Gerät leicht zu starten ist, könnten auch Kinder bei unzureichender Aufsicht in der Lage sein, das Gerät zu starten. Dies kann zu schweren Verletzungen führen. Daher stets den Akku entfernen, wenn das Gerät unbeaufsichtigt ist.

Allgemeine Sicherheitshinweise



WARNUNG: Lesen Sie die folgenden Warnhinweise, bevor Sie das Gerät verwenden.

- Entnehmen Sie den Akku, um den versehentlichen Start des Geräts zu verhindern.
- Dieses Gerät ist ein gefährliches Werkzeug, wenn Sie nicht aufpassen oder es unsachgemäß verwenden. Dieses Gerät kann schwere oder tödliche Verletzungen des Bedieners oder anderer Personen verursachen.
- Verwenden Sie das Gerät nicht, wenn es nicht mehr der ursprünglichen Spezifikation entspricht. Ändern Sie kein Teil des Geräts ohne Genehmigung des Herstellers. Verwenden Sie nur Teile, die vom Hersteller genehmigt wurden. Eine falsche Wartung kann zu schweren bis tödlichen Verletzungen führen.
- Überprüfen Sie das Gerät vor dem Gebrauch. Siehe *Kontrolle vor dem Start auf Seite 90* und *Bevor Sie das Gerät in Betrieb nehmen auf Seite 98*. Verwenden Sie das Gerät nicht, wenn es beschädigt ist oder nicht ordnungsgemäß funktioniert. Führen Sie die in dieser Bedienungsanweisung beschriebenen Kontroll-, Wartungs- und Serviceanweisungen durch.
- Lassen Sie keine Kinder mit dem Gerät spielen. Das Gerät ist kein Spielzeug! Kinder oder nicht im Gebrauch des Geräts und/oder des Akkus geschulte Personen dürfen das Gerät bzw. den Akku weder bedienen noch warten. Unter Umständen gelten gesetzlich vorgeschriebene Altersbeschränkungen.
- Bewahren Sie das Gerät in einem verschlossenen Bereich auf, um einen unerlaubten Zugriff durch Kinder oder andere Personen zu verhindern.
- Bewahren Sie das Gerät für Kinder unzugänglich auf.

- Unter keinen Umständen darf die ursprüngliche Konstruktion des Geräts ohne Genehmigung des Herstellers geändert werden. Verwenden Sie immer Originalzubehör. Unzulässige Änderungen und/oder unzulässiges Zubehör können zu schweren oder sogar tödlichen Verletzungen des Bedieners und anderer Personen führen.

Hinweis: Nationale oder regionale Gesetze regeln ggf. die Verwendung. Beachten Sie die jeweils gültigen Bestimmungen.

Sicherheitshinweise für den Betrieb



WARNUNG: Lesen Sie die folgenden Warnhinweise, bevor Sie das Gerät benutzen.

- **Verwenden Sie das Gerät nicht bei schlechten Wetterverhältnissen, insbesondere dann, wenn das Risiko eines Blitzeinschlags besteht.** Dadurch wird die Gefahr eines Blitzeinschlags reduziert.
- **Untersuchen Sie den Bereich, in dem das Gerät eingesetzt werden soll, sorgfältig auf Tiere.** Tiere können während des Betriebs durch das Gerät verletzt werden.
- **Inspizieren Sie sorgfältig das Gelände, in dem das Gerät eingesetzt werden soll, und entfernen Sie alle losen Gegenstände wie Steine, Stöcke, Kabel, Knochen und sonstige Fremdoobjekte.** Weggeschleuderte Gegenstände können schwere Verletzungen verursachen.
- **Unterziehen Sie das Gerät vor dem Einsatz stets einer Sichtprüfung, um sicherzustellen, dass Schneidwerk und Schneidwerk-Baugruppe nicht beschädigt sind.** Beschädigte Teile erhöhen das Verletzungsrisiko.
- **Nehmen Sie keine Veränderungen an den Schutzvorrichtungen vor. Die Schutzvorrichtungen müssen funktionstüchtig und ordnungsgemäß angebracht sein.** Eine lose, beschädigte oder nicht ordnungsgemäß funktionierende Schutzvorrichtung kann zu Verletzungen führen.
- **Halten Sie alle Kühlluftöffnungen frei von Verunreinigungen.** Verstopfte Luftöffnungen und Verunreinigungen können zu Überhitzung oder Brandgefahr führen.
- **Tragen Sie einen Augen- und einen Gehörschutz.** Eine angemessene Schutzausrüstung reduziert Verletzungen.
- **Tragen Sie beim Betrieb des Geräts stets rutschfeste Sicherheitsschuhe. Bedienen Sie das Gerät nicht barfuß oder mit Sandalen.** Dadurch wird die Gefahr von Verletzungen an den Füßen durch Kontakt mit dem beweglichen Schneidwerk verringert.
- **Tragen Sie beim Betrieb des Geräts stets Hosen, die die Beine bedecken.** Der Kontakt mit dem

rotierenden Schneidwerk oder Faden kann zu Verletzungen führen.

- **Achten Sie beim Betrieb des Geräts darauf, dass sich keine umstehenden Personen in Ihrer Nähe befinden.** Weggeschleuderte Pflanzenteile können schwere Verletzungen verursachen.
- **Betreiben Sie das Gerät nicht über Hüfthöhe.** Auf diese Weise vermeiden Sie unbeabsichtigten Kontakt mit dem Schneidwerk und können das Gerät in unerwarteten Situationen besser kontrollieren.
- **Bei Einsatz des Geräts auf nassem Gras ist besondere Vorsicht geboten. Gehen Sie, auf keinen Fall dürfen Sie laufen.** So wird die Gefahr des Wegrutschens oder Stürzens verringert, wodurch Verletzungen entstehen können.
- **Betreiben Sie das Gerät nicht an übermäßig steilen Hängen.** Dadurch wird die Gefahr des Kontrollverlusts, Wegrutschens oder Stürzens, wodurch Verletzungen entstehen können, verringert.
- **Achten Sie bei Arbeiten an Hängen immer auf festen Stand, arbeiten Sie immer quer zum Hang, niemals auf und ab, und gehen Sie beim Richtungswechsel mit äußerster Vorsicht vor.** So wird die Gefahr des Kontrollverlusts, des Wegrutschens oder Stürzens, wodurch Verletzungen entstehen können, verringert.
- **Halten Sie stromführende Kabel vom Schneidbereich fern.** In Hecken oder Büschen können stromführende Kabel verlaufen, die versehentlich mit Faden oder Schneidwerk in Berührung kommen und so durchgeschnitten oder beschädigt werden können.
- **Halten Sie alle Körperteile vom rotierenden Trimmer-Schneidwerk oder Faden fern. Entfernen Sie kein Material vom Gerät, solange es noch mit dem Stromnetz verbunden ist.** Das rotierende Trimmer-Schneidwerk bzw. der rotierende Faden kann zu schweren Verletzungen führen.
- **Tragen Sie das Gerät nur in ausgeschaltetem Zustand und weg vom Körper.** Durch den ordnungsgemäßen Umgang mit dem Gerät wird die Wahrscheinlichkeit eines versehentlichen Kontakts mit einem rotierenden Trimmer-Schneidwerk bzw. rotierenden Faden verringert.
- **Verwenden Sie ausschließlich vom Hersteller angegebene Ersatz-Schneidköpfe, -Trimmer-Schneidwerke oder -Fäden. Ersetzen Sie die Trimmer-Schneidwerke oder -Fäden nicht durch Metalldrähte oder -klingen.** Nicht ordnungsgemäße Ersatzteile können zu Kontrollverlust, Brüchen und Verletzungen führen.

Persönliche Schutzausrüstung



WARNUNG: Lesen Sie die folgenden Warnhinweise, bevor Sie das Gerät benutzen.

- Verwenden Sie stets die vorgeschriebene persönliche Schutzausrüstung bei der Benutzung des Geräts. Die persönliche Schutzausrüstung

kann Verletzungen nicht vollständig vermeiden, vermindert aber den Umfang der Verletzungen und Schäden bei einem Unfall. Lassen Sie sich bei der Auswahl der richtigen Ausrüstung von Ihrem Händler beraten.

- Tragen Sie einen zugelassenen Gehörschutz.

(Abb. 21)

- Tragen Sie einen zugelassenen Augenschutz. Bei der Benutzung eines Visiers ist außerdem eine zugelassene Schutzbrille zu tragen. Zugelassene Schutzbrillen müssen die Normen ANSI Z87.1 für die USA bzw. EN 166 für EU-Länder erfüllen.

(Abb. 22)

- Tragen Sie bei Bedarf Schutzhandschuhe, beispielsweise bei der Montage, der Untersuchung oder der Reinigung der Schneidausrüstung.

(Abb. 23)

- Tragen Sie Schutzstiefel mit Stahlkappen und rutschfesten Sohlen.

(Abb. 24)

- Tragen Sie Kleidung aus reißfestem Material. Tragen Sie stets lange Hosen aus schwerem Stoff und lange Ärmel. Tragen Sie keine weite Kleidung, die sich leicht an Ästen und Zweigen verfangen könnte. Tragen Sie keinen Schmuck, kurze Hosen oder Sandalen. Gehen Sie nicht barfuß. Binden Sie Ihre Haare sicherheits halber zusammen, so dass sie nicht über Ihre Schultern fallen.
- Eine Erste-Hilfe-Ausrüstung sollte stets griffbereit sein.

(Abb. 25)

Sicherheitsvorrichtungen am Gerät



WARNUNG: Lesen Sie die folgenden Warnhinweise, bevor Sie das Gerät verwenden.

In diesem Abschnitt werden einzelnen Teile der Sicherheitsausrüstung des Gerätes beschrieben, welche Funktion sie haben und wie ihre Kontrolle und Wartung ausgeführt werden sollen, um sicherzustellen, dass sie funktionsfähig sind. Unter der Überschrift *Einleitung auf Seite 88* finden Sie Angaben zur Position der Teile an Ihrem Gerät.

Die Lebensdauer des Geräts kann verkürzt werden und die Unfallgefahr kann steigen, wenn die Wartung des Geräts nicht ordnungsgemäß und Service und/oder Reparaturen nicht fachmännisch ausgeführt werden. Wenden Sie sich für weitere Informationen an Ihre Vertragswerkstatt.



WARNUNG: Benutzen Sie kein Gerät mit defekten Sicherheitsvorrichtungen. Die Sicherheitsausrüstung des Gerätes muss so kontrolliert und gewartet werden, wie dies in diesem Abschnitt beschrieben wird.

Wenn Ihr Gerät diesen Anforderungen nicht entspricht, muss eine Servicewerkstatt aufgesucht werden.



ACHTUNG: Service und Reparatur des Gerätes erfordern eine Spezialausbildung. Dies gilt besonders für die Sicherheitsausrüstung des Geräts. Wenn Ihr Gerät den unten aufgeführten Kontrollanforderungen nicht entspricht, müssen Sie Ihre Servicewerkstatt aufsuchen. Beim Kauf eines unserer Geräte wird gewährleistet, dass Reparatur- oder Servicearbeiten fachmännisch ausgeführt werden. Sollte der Verkäufer Ihres Gerätes nicht an unser Fachhändler-Service-Netz angeschlossen sein, fragen Sie nach unserer nächstgelegenen Servicewerkstatt.

So prüfen Sie die Benutzeroberfläche

Die grünen LEDs (A) zeigen den Akkuzustand an, wenn das Gerät eingeschaltet, aber nicht in Betrieb ist.

1. Halten Sie die On/Off-Taste (B) gedrückt. (Abb. 26)
 - a) Das Gerät ist eingeschaltet, wenn die grünen LEDs (A) leuchten.
 - b) Das Gerät ist ausgeschaltet, wenn die grünen LEDs (A) nicht leuchten.
2. Siehe *Fehlerbehebung auf Seite 102* wenn die Warnanzeige (C) aufleuchtet oder blinkt.

So prüfen Sie die Gashebelsperre

Die Gashebelsperre verhindert versehentliches Starten. Wenn Sie die Gashebelsperre (A) drücken, wird der Gashebel (B) freigegeben. Wenn Sie den Handgriff loslassen, kehren Gashebel und Gashebelsperre wieder in ihre Ausgangsstellung zurück. (Abb. 27)

1. Stellen Sie sicher, dass der Gashebel gesperrt ist, wenn sich die Gashebelsperre in der Ausgangsstellung befindet.

(Abb. 28)

2. Drücken Sie den Gashebel und kontrollieren Sie, ob er beim Loslassen in die Ausgangsstellung zurückkehrt.

(Abb. 29)

3. Stellen Sie sicher, dass sich der Gashebel und die Gashebelsperre frei bewegen können und dass die Rückstellfeder richtig funktioniert.

(Abb. 30)

4. Starten Sie das Gerät. Siehe *So starten Sie das Gerät auf Seite 100*.
5. Lassen Sie den Gashebel los, und stellen Sie sicher, dass die Schneidausrüstung vollständig stoppt.

So prüfen Sie die Schutzvorrichtung der Schneidausrüstung



WARNUNG: Verwenden Sie keine Schneidausrüstung ohne eine zugelassene und ordnungsgemäß befestigte Schutzvorrichtung. Verwenden Sie stets die empfohlene Schutzvorrichtung für die Schneidausrüstung, die Sie benutzen, siehe *Technische Angaben auf Seite 104*. Wenn eine falsche oder defekte Schutzvorrichtung montiert wird, können dadurch schwere Verletzungen verursacht werden.

Der Schutz für die Schneidausrüstung stoppt Objekte, die in die Richtung des Bedieners geschleudert werden. Der Schutz für die Schneidausrüstung verhindert außerdem Verletzungen durch Berühren der Schneidausrüstung.

1. Halten Sie den Motor an.
2. Führen Sie eine Sichtkontrolle auf Beschädigungen (z. B. Risse) durch.
3. Tauschen Sie den Schutz für die Schneidausrüstung aus, wenn er beschädigt ist.

Schneidausrüstung

Wählen Sie die richtige Schneidausrüstung und warten sie diese, um:

- Maximale Schnittleistung zu erreichen,
- Die Lebensdauer der Schneidausrüstung zu erhöhen.



WARNUNG: Die Schneidausrüstung immer nur mit dem von uns empfohlenen Schutz verwenden! Siehe *Technische Angaben auf Seite 104*. Informationen zum korrekten Einlegen des Trimmerfadens und zur Wahl des richtigen Fadendurchmessers finden Sie in den Anweisungen für die Schneidausrüstung.



WARNUNG: Eine falsche Schneidausrüstung kann die Unfallgefahr erhöhen.

Trimmerkopf



WARNUNG: Achten Sie stets darauf, dass der Trimmerfaden fest und gleichmäßig auf die Rolle gewickelt wird,

um gesundheitsschädliche Vibrationen zu vermeiden.

(Abb. 31)

- Verwenden Sie nur empfohlene Trimmerköpfe und -fäden.
- Benutzen Sie nur empfohlene Schneidausrüstung.
- Ein kleineres Gerät erfordert kleine Trimmerköpfe und umgekehrt.
- Die Länge des Trimmerfadens ist wichtig. Bei gleichem Fadendurchmesser erfordert ein längerer Trimmerfaden eine größere Motorleistung als ein kurzer.
- Achten Sie darauf, dass das Messer am Trimmerschutz intakt ist. Dieses schneidet den Trimmerfaden auf die richtige Länge.
- Weichen Sie den Trimmerfaden vor der Verwendung für einige Tage in Wasser ein, um die Lebensdauer zu erhöhen.

Sicherer Umgang mit Akkus



WARNUNG: Lesen Sie alle Sicherheitshinweise und allgemeinen Anweisungen. Wenn Sie die Sicherheitshinweise und allgemeinen Anweisungen nicht beachten, kann dies zu Stromschlägen, Brand und/oder schweren Verletzungen führen. **Bewahren Sie alle Sicherheitshinweise und allgemeinen Anweisungen zur späteren Verwendung auf.**

- **Diese Sicherheitshinweise gelten nur für 18-V-Lithium-Ionen-Akkus für das POWER FOR ALL-System.**
- **Verwenden Sie den Akku nur in Produkten von POWER FOR ALL Systempartnern.** Mit POWER FOR ALL gekennzeichnete 18-V-Akkus sind mit folgenden Geräten vollständig kompatibel:
 - Alle Geräte des 18-V-POWER FOR ALL-Akkusystems.
 - Alle 18-V-Geräte von POWER FOR ALL-Systempartnern.
- **Beachten Sie die Akkuempfehlungen in der Betriebsanleitung Ihres Geräts.** Nur so können Akku und Gerät gefahrlos betrieben und die Akkus vor gefährlicher Überlastung geschützt werden.
- **Laden Sie die Akkus nur mit vom Hersteller oder von POWER FOR ALL-Systempartnern empfohlenen Ladegeräten auf.** Ein Ladegerät, das für einen bestimmten Akkutyp geeignet ist, kann bei Verwendung mit einem anderen Akku ein Brandrisiko darstellen.
- **Der Akku wird teilweise aufgeladen ausgeliefert.** Laden Sie den Akku im Ladegerät für volle Akkukapazität vollständig auf, bevor Sie das Elektrowerkzeug zum ersten Mal benutzen.
- **Bewahren Sie die Akkus für Kinder unzugänglich auf.**
- **Öffnen Sie den Akku nicht.** Es besteht Kurzschlussgefahr.
- **Bei Beschädigung und unsachgemäßer Verwendung des Akkus können Dämpfe freigesetzt werden. Der Akku kann sich entzünden oder explodieren.** Stellen Sie sicher, dass der Bereich gut belüftet ist, und suchen Sie einen Arzt auf, falls Sie negative Auswirkungen bemerken. Die Dämpfe können die Atemwege reizen.
- **Bei unsachgemäßer Verwendung oder bei Beschädigung kann brennbare Flüssigkeit aus dem Akku entweichen. Hautkontakt mit dieser Flüssigkeit ist zu vermeiden. Bei versehentlichem Hautkontakt, spülen Sie die Stelle sofort mit Wasser ab. Bei versehentlichem Kontakt mit den Augen, suchen Sie zusätzlich einen Arzt auf.** Austretende Akkukapazität kann Reizungen oder Verätzungen verursachen.
- **Wenn der Akku beschädigt wird, kann Flüssigkeit austreten und sich auf Oberflächen in der Nähe verteilen. Überprüfen Sie die betroffenen Teile.** Reinigen Sie diese Teile, oder ersetzen Sie sie bei Bedarf.
- **Den Akku nicht kurzschließen. Wird der Akku nicht verwendet, halten Sie ihn von Büroklammer, Münzen, Schlüsseln, Nägeln, Schrauben oder anderen kleineren Metallgegenständen fern, da es zu einer Überbrückung der Kontakte kommen könnte.** Durch Kurzschluss der Akkuklemmen kann es zu Verbrennungen oder Bränden kommen.
- **Der Akku kann durch spitze Gegenstände wie Nägel oder Schraubendreher oder durch Krafteinwirkung von außen beschädigt werden.** Es kann ein interner Kurzschluss auftreten, der zu Verbrennung, Rauchentwicklung, Explosion oder Überhitzung des Akkus führen kann.
- **Warten Sie niemals beschädigte Akkus.** Akkus dürfen nur vom Hersteller oder von autorisierten Serviceanbietern gewartet werden.
- **Schützen Sie den Akku vor Hitze, z. B. vor dauerhafter Sonneneinwirkung, Feuer, Schmutz, Wasser und Feuchtigkeit.** Es besteht Explosions- und Kurzschlussgefahr.
- **Der Akku darf nur im Gerät verwendet werden, wenn die Umgebungstemperatur zwischen -5 °C — 40 °C liegt.**
- **Lagern Sie den Akku nur bei einer Umgebungstemperatur zwischen -20 °C — 50 °C.** Lassen Sie den Akku beispielsweise im Sommer nicht im Auto. Bei Temperaturen unter 0 °C kann es bei einigen Geräten zu einem Leistungsverlust kommen.
- **Laden Sie den Akku nur bei einer Umgebungstemperatur von 0 °C — 35 °C auf.** Wenn Sie das Gerät außerhalb dieses Temperaturbereichs aufladen, kann dies das Risiko erhöhen, dass der Akku beschädigt wird, und es kann zur Brandgefahr kommen.

Sicherer Umgang mit dem Ladegerät



WARNUNG: Lesen Sie alle Sicherheitshinweise und allgemeinen Anweisungen. Wenn Sie die Sicherheitshinweise und allgemeinen Anweisungen nicht beachten, kann dies zu Stromschlägen, Brand und/oder schweren Verletzungen führen. **Bewahren Sie diese Anleitung an einem sicheren Ort auf.** Verwenden Sie das Ladegerät nur, wenn Sie alle Funktionen vollständig beurteilen und ohne Einschränkungen nutzen können oder wenn Sie entsprechende Anweisungen erhalten haben.

- **Beaufsichtigen Sie Kinder während der Verwendung, Reinigung und Wartung.** Dadurch wird verhindert, dass Kinder mit dem Ladegerät spielen.
- **Laden Sie nur Lithium-Ionen-Akkus des POWER FOR ALL 18-V-Systems mit einer Kapazität von 1,5 Ah oder mehr (mindestens 5 Batteriezellen). Die Akkuspannung muss mit der Ladespannung des Ladegeräts übereinstimmen. Laden Sie keine nicht wiederaufladbaren Batterien auf.** Andernfalls besteht Brand- und Explosionsgefahr.
- **Setzen Sie das Ladegerät weder Regen noch Feuchtigkeit aus.** Wenn Wasser in ein Elektrowerkzeug eindringt, erhöht sich das Stromschlagrisiko.
- **Halten Sie das Ladegerät sauber.** Durch Schmutz besteht Stromschlaggefahr.
- **Überprüfen Sie vor Gebrauch das Ladegerät, das Kabel und den Stecker. Verwenden Sie das Ladegerät nicht mehr, wenn Sie Beschädigungen feststellen. Öffnen Sie das Ladegerät nicht selbst, und lassen Sie es nur von einer Fachkraft unter Verwendung von Original-Ersatzteilen reparieren.** Beschädigte Ladegeräte, Kabel und Stecker erhöhen die Stromschlaggefahr.
- **Verwenden Sie das Ladegerät nicht auf leicht entzündlichen Oberflächen (z. B. Papier, Textilien usw.) oder in einer entzündlichen Umgebung.** Durch das Aufheizen des Ladegeräts während des Betriebs besteht Brandgefahr.
- **Eine Aufladung darf nur mit dem vom Hersteller vorgeschriebenen Ladegerät durchgeführt werden.** Durch ein für einen bestimmten Akkutyp geeignetes Ladegerät kann Brandgefahr entstehen, wenn es für einen anderen Akku verwendet wird.
- **Bei Beschädigung und unsachgemäßer Verwendung des Akkus können ebenfalls Dämpfe freigesetzt werden.** Stellen Sie sicher, dass der Bereich gut belüftet ist, und suchen Sie einen Arzt auf, falls Sie negative Auswirkungen bemerken. Die Dämpfe können die Atemwege reizen.
- **Bei falschem Gebrauch kann Flüssigkeit aus dem Akku austreten. Hautkontakt mit dieser Flüssigkeit ist zu vermeiden. Bei versehentlichem Hautkontakt, spülen Sie die Stelle sofort mit Wasser ab.**

Bei versehentlichem Kontakt mit den Augen, suchen Sie zusätzlich einen Arzt auf. Austretende Akkuflüssigkeit kann Reizungen oder Verätzungen verursachen.

- **Bedecken Sie die Lüftungsschlitze des Ladegeräts nicht.** Andernfalls kann sich das Ladegerät überhitzen und funktioniert nicht mehr ordnungsgemäß.
- **Um Sicherheitsrisiken zu vermeiden, muss der Austausch des Netzkabels von Husqvarna oder einem Kundendienstzentrum durchgeführt werden, das zur Reparatur von Husqvarna Elektrowerkzeugen autorisiert ist.**
- **Nur in GB verkaufte Geräte:** Das Gerät ist mit einem nach BS 1363/A zugelassenen elektrischen Stecker mit interner Sicherung ausgestattet (ASTA-Zulassung gemäß BS 1362). Wenn der Stecker nicht für Ihre Steckdosen geeignet ist, sollte er von einem autorisierten Kundendienstmitarbeiter abgeschnitten und durch einen geeigneten Stecker ersetzt werden. Der Ersatzstecker sollte die gleiche Sicherungsleistung wie der Originalstecker haben. Der abgetrennte Stecker muss entsorgt werden, um das Risiko eines Stromschlags zu vermeiden, und darf niemals in eine andere Steckdose gesteckt werden.



WARNUNG: Herzstillstand! Dieses Gerät erzeugt beim Betrieb ein elektromagnetisches Feld. Dieses Feld kann sich unter bestimmten Bedingungen auf die Funktionsweise aktiver oder passiver medizinischer Implantate auswirken. Um die Gefahr von Situationen, die zu schweren oder tödlichen Verletzungen führen können, auszuschließen, sollten Personen mit einem medizinischen Implantat vor dem Gebrauch dieses Geräts ihren Arzt und den Hersteller des Implantats konsultieren.



WARNUNG: Erstickungsgefahr! Kleinere Teile können leicht verschluckt werden. Bei der Vielzwecktasche besteht Erstickungsgefahr für Kleinkinder. Halten Sie Kleinkinder während der Installation fern.

Sicherheitshinweise für die Wartung



WARNUNG: Lesen Sie die folgenden Warnhinweise, bevor Sie das Gerät warten.

- Entfernen Sie vor Wartungs-, Kontroll- oder Montagearbeiten den Akku.
- Der Bediener darf nur die Wartungs- und Servicearbeiten ausführen, die in dieser Bedienungsanleitung beschrieben sind. Für darüber hinausgehende Wartungs- und Servicearbeiten wenden Sie sich bitte an Ihren Servicehändler.

- Reinigen Sie weder den Akku noch das Ladegerät mit Wasser. Starke Reiniger können den Kunststoff beschädigen.
- Wenn Wartungsarbeiten nicht durchgeführt werden, verringert sich die Lebensdauer des Geräts und die Unfallgefahr steigt.
- Für alle Service- und Reparaturarbeiten, insbesondere an den Sicherheitsvorrichtungen des Geräts, ist eine spezielle Schulung erforderlich.

- Wenn nach Durchführung der Wartungsarbeiten nicht alle in dieser Bedienungsanleitung beschriebenen Prüfungen mit positivem Ergebnis ausfallen, wenden Sie sich an Ihren Servicehändler. Wir garantieren Ihnen, dass für Ihr Gerät professionelle Service- und Reparaturdienste verfügbar sind.
- Nur Original-Ersatzteile verwenden.

Montage

Einleitung



WARNUNG: Lesen Sie vor der Montage des Geräts das Kapitel über Sicherheit, und machen Sie sich damit vertraut.

So bringen Sie den Trimmerschutz an

1. Setzen Sie den Trimmerschutz auf das Motorgehäuse. (Abb. 32)
2. Installieren Sie die zwei Schrauben durch das Motorgehäuse und den Trimmerschutz. (Abb. 33)
3. Ziehen Sie die Schrauben fest.

So montieren Sie den Trimmerkopf

1. Drehen Sie die Abtriebswelle, bis sich das Loch des Mitnehmerrads mit dem entsprechenden Loch im Getriebegehäuse deckt.
2. Stecken Sie den Kombischlüssel in das Loch, um die Welle zu fixieren.
3. Drehen Sie den Trimmerkopf im Uhrzeigersinn. (Abb. 34)

So installieren Sie den Pflanzenschutz

1. Installieren Sie den Pflanzenschutz in den Löchern am Motorgehäuse. (Abb. 35)

2. Stellen Sie sicher, dass sich der Pflanzenschutz frei nach vorn und hinten bewegen kann. (Abb. 36)

So befestigen Sie den Haken an einer Wand

- Montieren Sie den Haken im Innenbereich.
- Schützen Sie den Haken vor Sonnenlicht und setzen Sie ihn nur Umgebungstemperaturen von -10 °C bis 70 °C aus.
- Montieren Sie den Haken an einer Trockenbau-, Holz- oder Betonwand.



ACHTUNG: Stellen Sie sicher, dass die Wand Lasten von mindestens 30 kg aufnehmen kann.

- Befestigen Sie den Haken mit den drei Schrauben (A) an der Wand. Verwenden Sie bei Bedarf Dübel (B). (Abb. 37)



ACHTUNG: Stellen Sie sicher, dass die Schrauben für Ihren Wandtyp geeignet sind.

- Kontaktieren Sie Ihren Husqvarna Servicemitarbeiter, um Informationen über das verfügbare Aufbewahrungszubehör für Ihr Gerät zu erhalten.

Betrieb

Einleitung



WARNUNG: Lesen Sie vor Gebrauch des Geräts das Kapitel über Sicherheit, und machen Sie sich damit vertraut.

Bevor Sie das Gerät in Betrieb nehmen

- Untersuchen Sie den Arbeitsbereich, um sicherzustellen, dass Sie sich mit der Beschaffenheit des Geländes auskennen. Überprüfen Sie das Bodengefälle, und achten Sie auf Hindernisse wie Steine, Äste und Löcher.

- Unterziehen Sie das Gerät einer allgemeinen Inspektion.
- Führen Sie Sicherheitskontrollen, Wartungen und Servicemaßnahmen durch, die in dieser Betriebsanleitung beschrieben sind.
- Prüfen Sie den Motor auf Verschmutzung und Risse. Verwenden Sie eine Bürste, um den Motor von Gras und Laub zu reinigen. Verwenden Sie Handschuhen, falls notwendig.
- Überprüfen Sie den Trimmerkopf und die Schutzvorrichtung für die Schneidausrüstung auf Beschädigungen oder Risse. Ersetzen Sie den Trimmerkopf und die Schutzvorrichtung für die Schneidausrüstung bei Beschädigungen oder Rissen.

- Stellen Sie sicher, dass alle Muttern und Schrauben fest angezogen sind.
- Stellen Sie sicher, dass alle Abdeckungen, Schutzvorrichtungen, Griffe und das Schneidwerk richtig montiert und nicht beschädigt sind, bevor Sie das Gerät starten.

Akku



WARNUNG: Vor dem Betrieb des Akkus müssen Sie die Sicherheitsinformationen lesen und verstehen. Sie müssen außerdem Bedienungsanleitung für den Akku und das Ladegerät lesen und verstehen.

Sorgen Sie für die richtigen Umgebungstemperaturen von Akku und Ladegerät.

	Umgebungstemperatur
Betrieb des Akkus im Gerät	-5 °C — 40 °C
Laden des Akkus	0 °C — 35 °C

So laden Sie den Akku

Laden Sie den Akku vor dem ersten Gebrauch.

Hinweis: Der Akku wird nicht aufgeladen, wenn die Akkutemperatur mehr als 35 °C beträgt.

1. Schließen Sie das Netzkabel für das Ladegerät an eine geerdete Netzsteckdose an.



ACHTUNG: Stellen Sie sicher, dass die Netzspannung und -frequenz korrekt sind.

2. Legen Sie den Akku in das Ladegerät. Wenn die grüne LED blinkt, ist der Akku mit dem Ladegerät verbunden. (Abb. 38)
3. Der Akku ist vollständig aufgeladen, wenn die grüne LED am Ladegerät leuchtet. Laden Sie den Akku für maximal 24 Stunden.
4. Trennen Sie das Ladegerät von der Netzsteckdose.



ACHTUNG: Ziehen Sie nicht am Netzkabel.

5. Nehmen Sie den Akku aus dem Ladegerät.

LED für den Akkuzustand am Ladegerät

Die rote LED (A) und die grüne LED (B) am Ladegerät zeigen den Akkuzustand an. Siehe *LED für den Akkuzustand am Gerät auf Seite 99*.

(Abb. 39)

LED-Anzeige	Akkuladezustand
LED blinkt schnell grün.	Der Akku lädt.
LED blinkt langsam grün.	Der Akku ist zu 80 % geladen.
LED leuchtet grün.	Der Akku ist vollständig geladen.
LED leuchtet rot.	Siehe <i>LED für den Akkuzustand am Gerät auf Seite 99</i> .
LED blinkt schnell rot.	Siehe <i>LED für den Akkuzustand am Gerät auf Seite 99</i> .

LED für den Akkuzustand am Gerät

Wenn der Akku im Gerät eingesetzt ist, zeigen die LEDs am Gerät den Akkuzustand an.

(Abb. 40)

LED-Anzeige	Akkuladezustand
LED 1, 2 und 3 leuchten.	Vollständig geladen.
LED 1 und 2 leuchten.	Ausreichend geladen
LED 1 leuchtet.	Die Akkuladung ist niedrig.
LED 1 blinkt.	Der Akku ist leer. Die Akkuzustandsanzeige blinkt. Laden Sie den Akku auf. Siehe <i>So laden Sie den Akku auf Seite 99</i> .

So schließen Sie den Akku an das Gerät an



WARNUNG: Verwenden Sie den Akku nur in Geräten mit dem POWER FOR ALL 18-V-System.

1. Stellen Sie sicher, dass der Akku vollständig geladen ist.
2. Schieben Sie den Akku in das Akkufach des Geräts. Der Akku muss leicht in das Akkufach gleiten, anderenfalls ist er nicht korrekt eingesetzt.

(Abb. 41)

3. Der Akku rastet einem hörbaren Klickgeräusch in der richtigen Position ein.

So starten Sie das Gerät

1. Halten Sie die On/Off-Taste gedrückt, bis die grüne LED aufleuchtet. (Abb. 42)
2. Drücken Sie die Gashebelsperre und den Gashebel. Die Schneidrüstung beginnt sich zu drehen.

So stellen Sie den Loophandgriff und den Teleskopschaft ein

1. Drücken Sie die Einstelltaste für den Loophandgriff. (Abb. 43)
2. Stellen Sie den Loophandgriff auf den richtigen Winkel ein.
3. Lassen Sie die Einstelltaste für den Loophandgriff los.
4. Lösen Sie den Hebel am Schaft. (Abb. 44)
5. Stellen Sie die richtige Länge am Schaft ein.
6. Schließen Sie den Hebel und ziehen Sie die Schraube an.

Hinweis: Die beiden Positionen des Loophandgriffs in der folgenden Abbildung dienen nur zum Transport und/oder zur Lagerung.

(Abb. 45)

Automatische Abschaltfunktion

Das Gerät verfügt über eine automatische Abschaltfunktion, die das Gerät anhält, wenn es nicht verwendet wird. Das Gerät schaltet sich nach 3 minutes ab.

Inbetriebnahme des Geräts

So trimmen Sie Gras

1. Halten Sie den Trimmerkopf nah über dem Boden und neigen Sie ihn dabei etwas. Drücken Sie den Trimmerfaden nicht in das Gras. (Abb. 46)
2. Verringern Sie die Länge des Trimmerfadens um 8-10 cm/3,15-4 Zoll.

So schneiden Sie Gras

1. Halten Sie den Trimmerkopf über dem Boden.
2. Neigen Sie den Trimmerkopf.

3. Schneiden Sie mit dem Ende des Trimmerfadens um Objekte im Arbeitsbereich.



ACHTUNG: Schneiden Sie Gras. Andere Objekte, die von der Trimmerlinie getroffen werden, erhöhen den Verschleiß der Trimmerlinie.

So schneiden Sie das Gras

1. Stellen Sie sicher, dass der Trimmerfaden beim Rasenmähen parallel zum Boden läuft. (Abb. 47)
2. Drücken Sie den Trimmerkopf nicht auf den Boden. Dadurch kann das Gerät beschädigt werden.
3. Schwenken Sie das Gerät von Seite zu Seite, während Sie das Gras schneiden. (Abb. 48)

So blasen Sie Gras fort

Der Luftstrom aus dem rotierenden Trimmerfaden kann verwendet werden, um Gras zu entfernen.

1. Halten Sie den Trimmerkopf und den Trimmerfaden parallel zum Boden und über dem Boden.
2. Bewegen Sie den Trimmerkopf von einer Seite zur anderen, und blasen Sie das Gras fort.



WARNUNG: Reinigen Sie die Trimmerkopfabdeckung jedes Mal, wenn Sie einen neuen Trimmerfaden zusammenbauen, um Unwucht und Vibrationen in den Griffen zu vermeiden. Sie sollten auch die anderen Teile des Trimmerkopfs überprüfen und bei Bedarf reinigen.

So stoppen Sie das Gerät

1. Lassen Sie den Gashebel und die Gashebelsperre los.
2. Drücken Sie die On/Off-Taste, bis die grüne LED erlischt.
3. Drücken Sie die Entriegelungstaste am Akku, und entfernen Sie den Akku aus dem Gerät. (Abb. 49)

So ersetzen Sie den Trimmerfaden

Diese Information finden Sie auf der letzten Seite dieser Bedienungsanleitung.

Wartung

Einleitung



WARNUNG: Lesen Sie vor dem Warten des Geräts das Kapitel über Sicherheit, und machen Sie sich damit vertraut.

Wartungsplan



WARNUNG: Entfernen Sie den Akku, bevor Sie Wartungsarbeiten durchführen.

Nachstehend sind die am Gerät vorzunehmenden
Wartungsmaßnahmen aufgelistet. Siehe *Wartung auf
Seite 100* für weitere Informationen.

Wartung	Täglich	Wöchentlich	Monatlich
Reinigen Sie die äußeren Teile des Geräts mit einem sauberen und trockenen Tuch. Verwenden Sie kein Wasser.	X		
Stellen Sie sicher, dass die Start-/Stopptaste funktionstüchtig und unbeschädigt ist.	X		
Stellen Sie sicher, dass der Gashebel und die Gashebelsperre sicherheitstechnisch ordnungsgemäß funktionieren.	X		
Vergewissern Sie sich, dass alle Bedienelemente funktionieren und unbeschädigt sind.	X		
Halten Sie die Griffe trocken, sauber und frei von Öl und Fett.	X		
Stellen Sie sicher, dass die Schneidausrüstung unbeschädigt ist. Tauschen Sie die Schneidausrüstung aus, wenn sie beschädigt ist.	X		
Kontrollieren Sie den Schutz für die Schneidausrüstung auf Schäden. Tauschen Sie den Schutz für die Schneidausrüstung aus, wenn er beschädigt ist.	X		
Vergewissern Sie sich, dass alle Schrauben und Muttern fest angezogen sind.	X		
Stellen Sie sicher, dass die Entriegelungstasten am Akku funktionieren und der Akku in das Gerät einrastet.	X		
Prüfen Sie, ob das Akkuladegerät nicht beschädigt ist und ordnungsgemäß funktioniert.	X		
Vergewissern Sie sich, dass der Akku nicht beschädigt ist.	X		
Stellen Sie sicher, dass der Akku vollständig geladen ist.	X		
Vergewissern Sie sich, dass das Akkuladegerät nicht beschädigt ist.	X		
Kontrollieren Sie alle Kabel, Kupplungen und Anschlüsse. Stellen Sie sicher, dass sie nicht beschädigt und frei von Schmutz sind.		X	
Überprüfen Sie die Verbindungen zwischen dem Akku und dem Gerät durch. Überprüfen Sie die Verbindung zwischen dem Akku und dem Ladegerät.			X

So prüfen Sie den Akku und das Ladegerät

1. Untersuchen Sie den Akku auf Schäden, z. B. Risse.
2. Untersuchen Sie das Akkuladegerät auf Schäden, z. B. Risse.
3. Stellen Sie sicher, dass das Verbindungskabel des Akkuladegeräts nicht beschädigt ist und dass keine Risse vorhanden sind.

So reinigen Sie das Gerät, den Akku und das Ladegerät

1. Reinigen Sie das Gerät nach jedem Gebrauch mit einem trockenen Tuch.

2. Reinigen Sie Akku und Ladegerät mit einem trockenen Tuch. Die Akkuführungsschienen sauber halten.
3. Stellen Sie sicher, dass die Klemmen an Akku und Ladegerät sauber sind, bevor der Akku in das Ladegerät oder das Gerät gesteckt wird.

So überprüfen und ersetzen Sie den Trimmerkopf

1. Kontrollieren Sie den Trimmerkopf auf Beschädigungen und Risse.
2. Drehen Sie die Abtriebswelle, bis sich das Loch des Mitnehmersrads mit dem entsprechenden Loch im Getriebegehäuse deckt.
3. Stecken Sie den Kombischlüssel in das Loch, um die Welle zu fixieren.

4. Drehen Sie den Trimmerkopf gegen den Uhrzeigersinn.

(Abb. 50)

5. Tauschen Sie den Trimmerkopf aus.

6. Bringen Sie den Trimmerkopf an. Siehe *So montieren Sie den Trimmerkopf auf Seite 98*.

Fehlerbehebung

Benutzeroberfläche

Problem	Mögliche Fehler	Mögliche Abhilfe
Grüne Start-LED blinkt.	Zu geringe Akkuspannung.	Laden Sie den Akku auf.
Rote Fehler-LED blinkt.	Überlastung.	Die Schneidausrüstung ist nicht frei beweglich. Nehmen Sie die Schneidausrüstung ab.
	Temperaturabweichung.	Lassen Sie das Gerät abkühlen.
	Der Gashebel und die Starttaste werden gleichzeitig gedrückt.	Lassen Sie den Gashebel los und drücken Sie die Start-Taste.
Die grüne LED und die rote LED blinken abwechselnd.	Akku ist leer.	Laden Sie den Akku auf.
	Akku ist beschädigt.	Wenden Sie sich an Ihren Servicehändler.

Akkuladegerät

Die LED am Akkuladegerät	Ursache	Lösung
Die grüne LED leuchtet und die rote LED blinkt.	Der Akku wurde nicht korrekt in das Ladegerät eingesetzt.	Nehmen Sie den Akku aus dem Ladegerät und setzen Sie den Akku wieder in das Ladegerät ein.
	Die Akkusteckverbinder sind verschmutzt.	Reinigen Sie die Akkusteckverbinder.
	Die Umgebungstemperatur ist zu hoch oder zu niedrig.	Das Ladegerät darf nur bei Temperaturen zwischen 0 und 35 °C verwendet werden.
	Der Akku ist defekt.	Den Akku ersetzen.
Die grüne und die rote LED leuchten nicht.	Das Ladegerät ist nicht richtig an die Netzsteckdose angeschlossen.	Schließen Sie das Ladegerät an eine Steckdose an.
	Defekte Netzsteckdose.	Schließen Sie das Akkuladegerät an eine Quelle mit der auf dem Typenschild angegebenen Spannung und Frequenz an.
	Das Kabel des Ladegeräts ist defekt.	Bitte eine autorisierte Servicewerkstatt kontaktieren.
	Das Ladegerät ist defekt.	

Die LED am Akkuladegerät	Ursache	Lösung
Andere Fehler.	Wenn andere Fehler auftreten, schalten Sie das Gerät aus, entfernen den Akku und wenden sich an eine zugelassene Servicewerkstatt.	

Transport, Lagerung und Entsorgung

Transport und Lagerung

- Die mitgelieferten Lithium-Ionen-Akkus entsprechen den Anforderungen des Gefahrgutrechts.
- Beachten Sie für den gewerblichen Transport, auch durch Dritte oder Speditionen, die gesonderten Anforderungen auf Verpackung und Etiketten.
- Sprechen Sie sich vor dem Versand des Geräts mit einer Person ab, die speziell im Gefahrgutversand geschult ist. Beachten Sie sämtliche geltenden nationalen Vorschriften.
- Bedecken Sie offene Kontakte mit Klebeband, wenn Sie den Akku in eine Verpackung legen. Stellen Sie sicher, dass der Akku in der Verpackung nicht verrutschen kann.
- Entnehmen Sie den Akku für die Lagerung oder den Transport.
- Bringen Sie den Akku und das Ladegerät an einem Ort unter, der trocken und frei von Feuchtigkeit und Frost ist.
- Lagern Sie den Akku nicht an einem Ort, an dem es zu elektrostatischen Entladungen kommen kann. Bewahren Sie den Akku nicht in einem Metallkasten auf.
- Stellen Sie bei der Lagerung des Akkus sicher, dass die Temperatur zwischen -20°C/-4°F und +50°C/122°F liegt und der Akku keinem direkten Sonnenlicht ausgesetzt ist.
- Stellen Sie bei der Lagerung des Akkuladegeräts sicher, dass die Temperatur zwischen 5 °C/41 °F und 45 °C/113 °F liegt und das Ladegerät keinem direkten Sonnenlicht ausgesetzt ist.
- Lagern sie das Gerät bei einer Temperatur zwischen -40 °C/-40 °F und 60 °C/140 °F.
- Das Ladegerät darf nur verwendet werden, wenn die Umgebungstemperatur zwischen 0°C/32°F und 35°C/95°F liegt.
- Laden Sie den Akku auf 30 bis 50 %, bevor Sie ihn über längere Zeit einlagern.
- Lagern Sie das Akkuladegerät in einem geschlossenen und trockenen Raum.
- Achten Sie bei der Lagerung darauf, dass sich der Akku nicht in unmittelbarer Nähe zum Ladegerät befindet. Kinder und andere nicht befugte Personen dürfen die Ausstattung nicht berühren. Verwahren Sie die Ausstattung in einem abschließbaren Raum.

- Reinigen Sie das Gerät und führen Sie umfassende Servicearbeiten durch, bevor Sie es längere Zeit einlagern.
- Verwenden Sie für das Gerät einen Transportschutz, um Verletzungen oder Schäden am Gerät bei Transport und Lagerung zu vermeiden.
- Befestigen Sie das Gerät während des Transports sicher.
- Lagern Sie das Gerät in waagerechter Position oder hängen Sie es am mitgelieferten Haken auf. Siehe *So befestigen Sie den Haken an einer Wand auf Seite 98*.

(Abb. 51)

Entsorgung von Akku, Ladegerät und Gerät

Das Symbol unten bedeutet, dass das Gerät nicht über den Hausmüll entsorgt werden darf. Recyceln Sie es an einer Recyclingstation für elektrische und elektronische Geräte. So werden Umwelt- und Personenschäden vermieden.

Weitere Informationen erhalten Sie bei örtlichen Behörden, dem Abfallentsorgungsunternehmen oder Ihrem Händler.

(Abb. 18)

Hinweis: Das Symbol ist auf dem Gerät oder der Verpackung des Geräts zu finden.

Entsorgen von Elektro- und Elektronik-Altgeräten

Gilt nur für Deutschland



Die durchgestrichene Abfalltonne weist darauf hin, dass Sie gesetzlich verpflichtet sind, dieses Gerät getrennt vom unsortierten Siedlungsabfall zu entsorgen. Die Entsorgung im Restmüll oder im gelben Sack ist verboten. Wenn das Produkt Einwegbatterien oder Akkus enthält, die nicht dauerhaft installiert sind, müssen diese vor der Entsorgung des Produkts entfernt und separat als Batterien bzw. Akkus entsorgt werden.

Entfernen von Batterien, Akkus und Leuchtmitteln:

Batterien, Akkus oder Leuchtmittel, die aus dem Produkt entfernt werden können, ohne es zu beschädigen, müssen vor der Entsorgung entfernt und separat als Batterien, Akkus oder Leuchtmittel entsorgt werden. Die folgenden Batterien oder Akkus sind in diesem Produkt enthalten:

- **Akkutyp:** Li-ion
- **Chemie:** Litium

Informationen zur Rückgabe von Elektro- und Elektronik-Altgeräten für Privathaushalte:

Wie im Folgenden näher beschrieben, sind bestimmte Vertrieber verpflichtet, Elektro- und Elektronik-Altgeräte kostenlos zurückzunehmen.

Vertrieber von Elektro- und Elektronikgeräten mit einer Verkaufsfläche von mindestens 400 m² und Lebensmittelhändler mit einer Gesamtverkaufsfläche von mindestens 800 m², die mehrmals im Kalenderjahr oder beständig Elektro- und Elektronikgeräte abgeben und verkaufen, sind unter den folgenden Umständen zur Rücknahme von Geräten verpflichtet:

1. Beim Verkauf eines neuen Elektro- oder Elektronikgeräts muss der Vertrieber ein Altgerät desselben Gerätetyps kostenlos zurücknehmen, das im Wesentlichen die gleichen Funktionen wie das neue Gerät bereitstellt. Dies muss an dem Standort, an dem das Gerät abgegeben wird, oder in unmittelbarer Nähe geschehen. Privathaushalte gelten auch als der Ort, an dem das Gerät abgegeben wird, sofern das Produkt dorthin geliefert wird: In diesem Fall werden Altgeräte ohne Kosten für den Endbenutzer abgeholt.
2. Der Vertrieber muss Altgeräte mit einem Durchmesser von weniger als 25 cm auf Wunsch des Endbenutzers an der Verkaufsstelle oder in unmittelbarer Nähe zurücknehmen. Diese Rückgabe muss nicht mit dem Kauf von Elektro- oder Elektronikgeräten in Verbindung stehen und ist auf drei Altgeräte pro Gerätetyp beschränkt.

Bei Abschluss des Kaufvertrags für ein neues Elektro- oder Elektronikgerät muss der Vertrieber den

Endbenutzer über sein Recht informieren, das Altgerät zurückzugeben oder kostenlos abholen zu lassen, und den Endbenutzer fragen, ob er beabsichtigt, ein Altgerät bei der Lieferung des neuen Geräts zurückzugeben.

Dies gilt auch für den Vertrieb über Telekommunikation, wenn die Lager- und Versandfläche für Elektro- und Elektronikgeräte mindestens 400 m² beträgt oder wenn die gesamte Lager- und Versandfläche mindestens 800 m² beträgt, wobei die kostenlose Abholung von Elektro- oder Elektronikgeräten auf die folgenden Kategorien beschränkt ist:

- 1 (Wärmeüberträger)
- 2 (Geräte mit Displays) und
- 4 (große Geräte mit mindestens einer äußeren Abmessung von mehr als 50 cm)

Für alle anderen Elektro- und Elektronikgeräte muss der Vertrieber entsprechende Rücknahmestellen in angemessener Nähe zum Endverbraucher sicherstellen. Dies gilt auch für Altgeräte, bei denen keine äußere Abmessung 25 cm überschreitet, die der Endbenutzer zurückgeben möchte, ohne ein neues Gerät zu erwerben.

Datenschutz

Alle Endbenutzer von Elektro- und Elektronik-Altgeräten sind dafür verantwortlich, alle personenbezogenen Daten von den zu entsorgenden Elektro- und Elektronik-Altgeräten zu löschen.

WEEE-Registrierungsnummer

Husqvarna 10168717

Sammlungs- und Verwertungsraten

Gemäß der WEEE-Richtlinie sind die EU-Mitgliedstaaten verpflichtet, Daten über Elektro- und Elektronik-Altgeräte zu sammeln und diese Daten an die Europäische Kommission zu übermitteln. Weitere Informationen hierzu finden Sie auf der BMUV-Website: <https://www.bmu.de/themen/wasser-ressourcen-abfall/kreislaufwirtschaft/statistiken/elektro-und-elektronikaltgeraete>

Technische Angaben

Technische Daten

	Aspire T28-P4A
Motor	
Motortyp	PMDC
Drehzahl der Abtriebswelle, U/min	6800
Schnittbreite, mm	280
Gewicht	
Gewicht ohne Akku, kg	2,6

	Aspire T28-P4A
Gewicht mit Akku (P4A 18-B45/P4A 18-B70), kg	3,0/3,3
Geräuschemissionen ¹³	
Schalleistungspegel, gemessen dB (A)	85
Schalleistungspegel, garantiert L _{WA} dB (A)	88
Geräuschpegel ¹⁴	
Äquivalenter Schalldruckpegel am Ohr des Bedieners, gemessen nach EN ISO 50636-2-91, dB (A)	73
Vibrationspegel ¹⁵	
Vibrationspegel an den Griffen, gemessen nach EN50636-2-91, m/s ²	2,26/1,61
Ausgestattet mit Trimmerkopf (Original), vorne/hinten.	

Akku	P4A 18-B45	P4A 18-B72
Typ	Lithium-Ionen	Lithium-Ionen
Akkukapazität, Ah	Siehe Aufkleber zur Akkukapazität	Siehe Aufkleber zur Akkukapazität
Nennspannung, V	18	18
Gewicht, kg	0,4	0,7

Akkuladegerät	P4A 18-C70
Netzspannung, V	220-240
Frequenz, Hz	50-60
Leistung, W	70
Ausgangsspannung, V DC/ Ampere, A	14,4–18/3

¹³ Umweltbelastende Geräuschemissionen, gemessen als Schalleistung (L_{WA}) gemäß EG-Richtlinie 2000/14/EG. Die Differenz zwischen garantiertem und gemessenem Schalleistungspegel besteht darin, dass beim garantierten Schalleistungspegel auch eine Streuung im Messergebnis und Variationen zwischen verschiedenen Geräten desselben Modells gemäß der Richtlinie 2000/14/EG berücksichtigt werden.

¹⁴ Berichten zufolge liegt der Schalldruckpegel für dieses Gerät normalerweise bei einer Ausbreitungsklasse (Standardabweichung) von 3 dB (A).

¹⁵ Berichten zufolge liegt der Vibrationspegel normalerweise bei einer Ausbreitungsklasse (Standardabweichung) von 1,5 m/s².

Zubehör

Zugelassenes Zubehör

Zugelassenes Zubehör	Typ	Schutz für die Schneidrüstung, Teile-Nr.
Trimmerkopf	A15B M5 (Faden-Ø 1,6 mm)	536 47 32-01

Konformitätserklärung

EU-Konformitätserklärung

Die **Husqvarna AB**, SE-561 82 Huskvarna, Schweden,
Tel.: +46-36-146500, erklärt in alleiniger Verantwortung,
dass das Gerät:

Beschreibung	Akku-Grastrimmer
Marke	Husqvarna
Typ/Modell	Aspire T28-P4A
Identifizierung	Seriennummern ab 2023

die folgenden EU-Richtlinien und -Verordnungen erfüllt:

Richtlinie/Verordnung	Beschreibung
2006/42/EG	„Maschinenrichtlinie“
2014/30/EG	„über elektromagnetische Verträglichkeit“
2000/14/EG	„über umweltbelastende Geräuschemissionen von zur Verwendung im Freien vorgesehenen Geräten und Maschinen“
2011/65/EG	„zur Beschränkung der Verwendung bestimmter gefährlicher Stoffe in Elektro- und Elektronikgeräten“

und dass die folgenden Normen und/oder technischen
Daten angewendet werden: EN 60335-1:2012/
A15:2021, EN 50636-2-91:2014, EN IEC 63000:2018,
EN IEC 55014-1:2021; EN IEC 55014-2:2021.

Benannte Stelle: 0158 DEKRA Testing and Certification
GmbH, Handwerkstraße 15, 70565 Stuttgart, Germany
bestätigte die Konformität mit der Richtlinie 2000/14/EG,
Konformitätsbewertungsverfahren nach: Anhang VI.

Informationen zu Geräuschemission finden Sie unter
Technische Angaben auf Seite 104.

Huskvarna, 2023-12-14



Claes Losdal, R&D Manager, Husqvarna AB
Verantwortlich für die technische Dokumentation



Lizenzen

Copyright © 2012–2020 STMicroelectronics

Die Garantie deckt keine Schäden, die sich aus normalem Verschleiß, Fahrlässigkeit, unzulässigem Einsatz, unbefugten Reparaturen oder Anschluss der Ansaugvorrichtung an eine falsche Spannung ergeben.

Alle Rechte vorbehalten.

Verbreitung und Verwendung in Quell- und Binärform, mit oder ohne Änderungen, sind zulässig, sofern folgende Bedingungen erfüllt sind:

- Bei der Verbreitung von Quellcode müssen der obige Copyright-Hinweis, diese Liste der Bedingungen und folgender Haftungsausschluss enthalten sein.
- Bei der Verbreitung in Binärform müssen der obige Copyright-Hinweis, diese Liste der Bedingungen und folgender Haftungsausschluss in den Unterlagen und/oder anderen Materialien, die bei der Verbreitung bereitgestellt werden, enthalten sein.
- Weder der Name von STMicroelectronics noch die Namen seiner Mitwirkenden dürfen ohne vorherige schriftliche Genehmigung zur Bewerbung von Produkten verwendet werden, die auf Grundlage dieser Software erstellt wurden.

DIESE SOFTWARE WIRD VON DEN URHEBERRECHTSINHABERN UND DAZU BEITRAGENDEN IN DER VORLIEGENDEN FORM ZUR VERFÜGUNG GESTELLT, UND ALLE AUSDRÜCKLICHEN ODER STILLSCHWEIGENDEN GARANTIEEN, EINSCHLIEßLICH, ABER NICHT BESCHRÄNKT AUF DIE STILLSCHWEIGENDEN GARANTIEEN DER MARKTGÄNGIGKEIT UND EIGNUNG FÜR EINEN BESTIMMTEN ZWECK, WERDEN AUSGESCHLOSSEN. IN KEINEM FALL HAFTET DER URHEBERRECHTSINHABER ODER DAZU BEITRAGENDE FÜR UNMITTELBARE, MITTELBARE, BEILÄUFIG ENTSTANDENE, KONKRETE ODER FOLGESCHÄDEN MIT STRAFZWECK ODER OHNE (EINSCHLIEßLICH, ABER NICHT BESCHRÄNKT AUF BESCHAFFUNG VON ERSATZGÜTERN ODER -DIENSTLEISTUNGEN, VERLUST VON NUTZUNG, DATEN ODER GEWINNEN ODER BETRIEBSUNTERBRECHUNGEN), DIE AUF BELIEBIGE WEISE VERURSACHT WURDEN UND FÜR DIE EINE THEORETISCHE HAFTBARKEIT BESTEHT, SEI ES DURCH EINEN VERTRAG, ERFOLGSHAFTUNG ODER SCHADENERSATZRECHT (EINSCHLIEßLICH FAHRLÄSSIGKEIT ODER ANDEREM), DIE IN IRGENDWEISER WEISE AUS DER NUTZUNG DIESER SOFTWARE ENTSTEHEN, SELBST WENN AUF DIE MÖGLICHKEIT EINES SOLCHEN SCHADENS HINGEWIESEN WURDE.

Apache 2.0 Lizenz

Copyright © 2009–2019 Arm Limited. Alle Rechte vorbehalten.

Version 2.0, Januar 2004 <http://www.apache.org/licenses/>

GESCHÄFTSBEDINGUNGEN FÜR DIE NUTZUNG, VERVIELFÄLTIGUNG UND VERBREITUNG

1. Definitionen.

„**Lizenz**“ bezeichnet die in den Abschnitten 1 bis 9 dieses Dokuments definierten Bedingungen für die Nutzung, Vervielfältigung und Verbreitung. „**Lizenzgeber**“ bezeichnet den Urheberrechtsinhaber oder die durch den Urheberrechtsinhaber bevollmächtigte juristische Person, die die Lizenz vergibt. „**Juristische Person**“ bezeichnet die Gesamtheit der handelnden juristischen Person und aller anderen juristischen Personen, die diese juristische Person kontrollieren, von ihr kontrolliert werden oder mit ihr unter gemeinsamer Kontrolle stehen. Im Sinne dieser Definition bedeutet „**Kontrolle**“ (i) die direkte oder indirekte Befugnis, die Leitung oder Verwaltung dieser juristischen Person durch Vertrag oder anderweitig zu veranlassen, oder (ii) Besitz eines Anteils von mindestens fünfzig Prozent (50 %) der in Umlauf befindlichen Aktien oder (iii) nutznießender Besitz dieser juristischen Person. „**Sie**“ (oder „**Ihr, Ihre, Ihrer, Ihren, Ihres, Ihnen**“) bezeichnet eine natürliche oder juristische Person, die die durch diese Lizenz gewährten Berechtigungen ausübt. „**Quell**“-Form bezeichnet die bevorzugte Form für Änderungen, einschließlich, aber nicht beschränkt auf Software-Quellcode, Dokumentationsquelle und Konfigurationsdateien. „**Maschinen**“-Form bezeichnet jede Form, die sich aus der maschinellen Umwandlung oder Übersetzung einer Quellform ergibt, einschließlich, aber nicht beschränkt auf kompilierten Maschinencode, generierte Dokumentation und Umwandlungen in andere Medientypen. „**Werk**“ bezeichnet das urheberrechtlich geschützte Werk in Quell- oder Maschinenform, das im Rahmen der Lizenz zur Verfügung gestellt wird, wie durch einen Urheberrechtsvermerk angegeben, der in dem Werk enthalten oder diesem beigelegt ist (ein Beispiel ist im Anhang unten angegeben). „**Abgeleitete Werke**“ sind alle Werke, ob in Quell- oder Maschinenform, denen das Werk zugrunde liegt (oder von diesem abgeleitet wurden) und für die die redaktionellen Überarbeitungen, Anmerkungen, Ausarbeitungen oder sonstigen Änderungen insgesamt ein urheberrechtliches Originalwerk darstellen. Für die Zwecke dieser Lizenz schließen abgeleitete Werke keine Werke ein, die von den Schnittstellen des Werks und der davon abgeleiteten Werke getrennt bleiben oder lediglich mit diesen verknüpft werden können (oder namentlich gebunden sind). „**Beitrag**“ bezeichnet alle urheberrechtlich geschützten Werke, einschließlich der Originalversion des Werks und aller Änderungen oder Ergänzungen dieses Werks oder davon abgeleiteter Werke, die vom Urheberrechtsinhaber oder von einer natürlichen oder juristischen Person, die zur

Einreichung im Namen des Urheberrechtsinhabers berechtigt ist, absichtlich bei dem Lizenzgeber zur Aufnahme in das Werk eingereicht wird. Im Sinne dieser Definition bezeichnet **„eingereicht“** jede Form von elektronischer, mündlicher oder schriftlicher Kommunikation, die an den Lizenzgeber oder seine Vertreter gesendet wird, einschließlich, aber nicht beschränkt auf Kommunikation auf elektronischen Verteilerlisten, Quellcode-Kontrollsystemen und Problemverfolgungssystemen, die vom Lizenzgeber oder in dessen Namen verwaltet werden, um das Werk zu besprechen und zu verbessern, jedoch ohne Kommunikation, die vom Urheberrechtsinhaber mit **„Kein Beitrag“** oder anderweitig schriftlich gekennzeichnet sind. **„Beitragender“** bezeichnet den Lizenzgeber und jede natürliche oder juristische Person, für die ein Beitrag vom Lizenzgeber eingegangen und anschließend in das Werk integriert wurde.

2. Erteilung einer Urheberrechtslizenz.

Vorbehaltlich der Bedingungen dieser Lizenz gewährt Ihnen jeder Beitragende hiermit eine unbefristete, weltweite, nicht exklusive, kostenlose, gebührenfreie, unwiderrufliche Urheberrechtslizenz zur Vervielfältigung, Vorbereitung abgeleiteter Werke, öffentlichen Ausstellung, öffentlichen Ausführung, Unterlizenzierung und Verbreitung des Werks und solcher abgeleiteter Werke in Quell- oder maschineller Form.

3. Erteilung einer Patentrechtslizenz.

Vorbehaltlich der Bedingungen dieser Lizenz gewährt Ihnen jeder Beitragende hiermit eine unbefristete, weltweite, nicht exklusive, kostenlose, unwiderrufliche (außer wie in diesem Abschnitt angegeben) Patentrechtslizenz zur Herstellung, zur Herstellung durch Dritte, zum Verkauf, zur Nutzung, zur Einfuhr und anderweitigen Übertragung des Werks, wobei diese Lizenz nur für Patentansprüche gilt, die von dem Beitragenden lizenziert werden können und die notwendigerweise allein oder durch eine Kombination seiner Beiträge am Werk, an das diese Beiträge übermittelt wurden, verletzt werden. Wenn Sie Patentstreitigkeiten gegen eine juristische Person (einschließlich Widerklage oder Gegenklage in einem Rechtsstreit) anstellen, aufgrund der Annahme, dass das Werk oder ein im Werk enthaltener Beitrag eine unmittelbare oder mittelbare Patentverletzung darstellt, dann enden alle Ihnen im Rahmen dieser Lizenz für dieses Werk gewährten Patentrechtslizenzen mit dem Datum, an dem ein solches Verfahren eingereicht wird.

4. Verbreitung.

Sie dürfen Kopien des Werks oder davon abgeleiteter Werke in jedem Medium, mit oder ohne Änderungen sowohl in Quell- oder Maschiniform vervielfältigen und verbreiten, sofern Sie folgende Bedingungen erfüllen:

- Sie müssen allen anderen Empfängern des Werks oder abgeleiteter Werke eine Kopie dieser Lizenz überlassen und

- Sie müssen dafür sorgen, dass alle geänderten Dateien mit gut sichtbaren Hinweisen versehen werden, die darauf hinweisen, dass Sie die Dateien geändert haben. Weiterhin müssen Sie in der Quellform aller abgeleiteten Werke, die Sie verbreiten, alle Urheber-, Patent-, Marken- und Zuschreibungshinweise aus der Quellform des Werks bewahren, mit Ausnahme der Hinweise, die sich nicht auf einen Teil der abgeleiteten Werke beziehen und
- Wenn das Werk im Rahmen seiner Verbreitung eine Textdatei mit dem Namen **„NOTICE“** enthält, müssen alle abgeleiteten Werke, die Sie verbreiten, eine lesbare Kopie der in dieser NOTICE-Datei enthaltenen Zuschreibungshinweise enthalten, mit Ausnahme derjenigen Hinweise, die sich nicht auf irgendeinen Teil der abgeleiteten Werke beziehen, und zwar an mindestens einer der folgenden Stellen: innerhalb einer NOTICE-Textdatei, die als Teil der abgeleiteten Werke verbreitet wird, innerhalb des Quellformulars oder der Dokumentation, wenn diese zusammen mit den abgeleiteten Werken bereitgestellt werden, oder innerhalb einer von den abgeleiteten Werken generierten Anzeige, falls und wo auch immer solche Hinweise Dritter normalerweise erscheinen. Der Inhalt der NOTICE-Datei dient nur zu Informationszwecken und ändert die Lizenz nicht. Sie können Ihre eigenen Zuschreibungshinweise in von Ihnen verbreiteten abgeleiteten Werken neben oder als Ergänzung zum NOTICE-Text des Werks hinzufügen, vorausgesetzt, dass solche zusätzlichen Zuschreibungshinweise nicht als Änderung der Lizenz ausgelegt werden können. Sie können Ihre eigene Urheberrechtserklärung zu Ihren Änderungen hinzufügen und zusätzliche oder andere Lizenzbedingungen für die Verwendung, Reproduktion oder Verbreitung Ihrer Änderungen oder für alle abgeleiteten Werke als Ganzes bereitstellen, vorausgesetzt, Sie verwenden, reproduzieren und vertreiben das Werk ansonsten in Übereinstimmung mit den in dieser Lizenz genannten Bedingungen.

5. Einreichung von Beiträgen.

Sofern Sie nicht ausdrücklich etwas anderes angeben, unterliegt jeder Beitrag, den Sie absichtlich zur Aufnahme in das Werk beim Lizenzgeber eingereicht haben, ohne zusätzliche Bedingungen den Bedingungen dieser Lizenz. Ungeachtet der vorstehenden Bestimmungen darf keine der hier aufgeführten Bestimmungen die Bedingungen einer separaten Lizenzvereinbarung, die Sie möglicherweise mit dem Lizenzgeber in Bezug auf solche Beiträge geschlossen haben, ersetzen oder ändern.

6. Warenzeichen.

Diese Lizenz erteilt keine Erlaubnis zur Verwendung von Markennamen, Marken, Dienstleistungsmarken oder Produktbezeichnungen des Lizenzgebers, außer wenn dies für eine angemessene und übliche Verwendung

zur Beschreibung der Herkunft des Werkes und zur Reproduktion des Inhalts der NOTICE-Datei erforderlich ist.

7. Gewährleistungsausschluss.

Sofern nicht durch geltendes Recht vorgeschrieben oder schriftlich vereinbart, stellt der Lizenzgeber das Werk (und jeder Beitragende seine Beiträge) IN DER VORLIEGENDEN FORM zur Verfügung, OHNE GARANTIE ODER BEDINGUNGEN JEDLICHER ART, sei es ausdrücklich oder stillschweigend, einschließlich, aber nicht beschränkt auf Garantien oder Bedingungen des EIGENTUMSRECHTS, DER NICHTVERLETZUNG von RECHTEN, der MARKTGÄNGIGKEIT, oder EIGNUNG FÜR EINEN BESTIMMTEN ZWECK. Sie sind allein dafür verantwortlich, die Angemessenheit der Nutzung oder Weiterverbreitung des Werkes zu bestimmen und alle Risiken zu übernehmen, die mit der Ausübung von Berechtigungen im Rahmen dieser Lizenz verbunden sind. 8. Haftungsbeschränkung. Unter keinen Umständen und unter keinem rechtlichen Gesichtspunkt, ob unerlaubte Handlung (einschließlich Fahrlässigkeit), Vertrag oder anderem, es sei denn, dies ist nach geltendem Recht erforderlich (z. B. vorsätzliche und grob fahrlässige Handlungen) oder dies wurde schriftlich vereinbart, haftet irgendein Beitragender Ihnen gegenüber für Schäden, einschließlich unmittelbarer, mittelbarer, konkrete, beiläufig entstandene oder Folgeschäden

jeglicher Art, die sich aus dieser Lizenz oder aus der Nutzung oder der Unmöglichkeit der Nutzung des Werkes ergeben (einschließlich, aber nicht beschränkt auf Schäden aufgrund von Verlust des Geschäftswert, Arbeitsunterbrechung, Computerausfall oder -fehlfunktion oder alle anderen kommerziellen Schäden oder Verluste), selbst wenn der Beitragende von der Möglichkeit solcher Schäden in Kenntnis gesetzt wurde.

9. Annahme von Gewährleistung oder zusätzlicher Haftung.

Bei der Weiterverbreitung des Werks oder der davon abgeleiteten Werke können Sie entscheiden, die Annahme von Unterstützung, Gewährleistung, Schadenshaltung oder andere Haftungsverpflichtungen und/oder -rechte, die mit dieser Lizenz übereinstimmen, anzubieten und eine Gebühr dafür zu erheben. Bei der Annahme dieser Verpflichtungen dürfen Sie jedoch nur in Ihrem eigenen Namen und in Ihrer alleinigen Verantwortung handeln, nicht im Namen eines anderen Beitragenden, und nur dann, wenn Sie zustimmen, jeden Beitragenden der jeglicher Haftung oder Ansprüchen auszuschließen, ihn dagegen zu verteidigen und davon schadlos zu halten, die durch oder gegen diesen Beitragenden geltend gemacht werden, weil Sie eine solche Gewährleistung oder zusätzliche Haftung akzeptieren. ENDE DER GESCHÄFTSBEDINGUNGEN

Περιεχόμενα

Εισαγωγή.....	110	Μεταφορά, αποθήκευση και απόρριψη.....	126
Ασφάλεια.....	112	Τεχνικά στοιχεία.....	127
Συναρμολόγηση.....	120	Αξεσουάρ.....	128
Λειτουργία.....	121	Δήλωση Συμμόρφωσης.....	129
Συντήρηση.....	123	Άδειες.....	130
Αντιμετώπιση προβλημάτων.....	125	Ανεπα.....	507

Εισαγωγή

Περιγραφή προϊόντος

Το Husqvarna Aspire T28-P4A είναι ένα χορτοκοπτικό με μπαταρία και ηλεκτροκινητήρα.

Εργαζόμαστε συνεχώς για απολαμβάνετε μεγαλύτερη ασφάλεια και υψηλότερη απόδοση κατά τη διάρκεια της εργασίας. Απευθυνθείτε στον αντιπρόσωπο σέρβις για περισσότερες πληροφορίες.

Προβλεπόμενη χρήση

Το προϊόν χρησιμοποιείται με κεφαλή χορτοκοπτικού για την κοπή χόρτων. Μην χρησιμοποιείτε το προϊόν για

άλλες εργασίες εκτός από την κοπή και τον καθαρισμό χόρτων.

Περιεχόμενα Μπορεί να ισχύουν εθνικοί κανονισμοί που θέτουν όρια στη χρήση του προϊόντος.

Γρήγορος οδηγός

Σαρώστε τον κωδικό QR για συμβουλές σχετικά με τον τρόπο χρήσης του προϊόντος.

(Εικ. 20)

Επισκόπηση προϊόντος

(Εικ. 1)

1. Κεφαλή χορτοκοπτικού
2. Προστατευτικό εξαρτήματος κοπής
3. Προφυλακτήρας φυτών
4. Ρύθμιση άξονα (ηλεκτροσκοπική)
5. Άξονας
6. Χειρολαβή τύπου βρόχου
7. Κάλυμμα συντήρησης
8. Κουμπί ρύθμισης της λαβής τύπου βρόγχου
9. Στοιχεία αλληλεπίδρασης με το χρήστη
10. Προειδοποιητική ένδειξη
11. Ένδειξη κατάστασης φόρτισης
12. Κουμπί ON/OFF
13. Σκανδάλη γκαζιού
14. Ασφάλεια σκανδάλης γκαζιού
15. Μπαταρία (P4A 18-B45)
16. Κουμπί απασφάλισης μπαταρίας
17. Μπαταρία (P4A 18-B72)
18. Φορτιστής μπαταρίας (P4A 18-C70)
19. Συνδετήρας
20. Ένδειξη λειτουργίας και προειδοποίησης
21. Πολυεργαλείο
22. Άγκιστρο τοίχου
23. Βίδες και βύσματα τοίχου για άγκιστρο τοίχου
24. Εγχειρίδιο χρήσης

Σύμβολα στο προϊόν

- (Εικ. 2) ΠΡΟΕΙΔΟΠΟΙΗΣΗ: Αυτό το προϊόν μπορεί να είναι επικίνδυνο και να προκαλέσει σοβαρό τραυματισμό ή θάνατο του χειριστή ή άλλων ατόμων. Να είστε προσεκτικοί και να χρησιμοποιείτε το προϊόν σωστά.
- (Εικ. 3) Προτού χρησιμοποιήσετε το προϊόν, διαβάστε προσεκτικά το εγχειρίδιο χρήσης και βεβαιωθείτε ότι έχετε κατανοήσει τις οδηγίες.
- (Εικ. 4) Να χρησιμοποιείτε μέσα προστασίας των ματιών.
- (Εικ. 5) Αποφύγετε την έκθεση στη βροχή.
- (Εικ. 6) Ετικέτα εκπομπών θορύβου στο περιβάλλον σύμφωνα με οδηγίες και κανονισμούς της ΕΕ και του Η.Β. και τη νομοθεσία της Νότιας Νέας Ουαλίας Κανονισμός για την προστασία των περιβαλλοντικών δράσεων (έλεγχος θορύβου) του 2017. Η εγγυημένη στάθμη θορύβου του προϊόντος καθορίζεται στην ενότητα *Τεχνικά στοιχεία στη σελίδα 127*.

- (Εικ. 7) Αποσυνδέστε την μπαταρία πριν από τη συντήρηση.
- (Εικ. 8) Το προϊόν ή η συσκευασία του προϊόντος δεν αποτελεί οικιακό απόρριμμα. Ανακυκλώστε το σε κέντρο ανακύκλωσης ηλεκτρικού και ηλεκτρονικού εξοπλισμού.
- (Εικ. 9) Προσοχή σε αντικείμενα που εκτοξεύονται.
- (Εικ. 10) Μην χρησιμοποιείτε μεταλλικές λεπίδες.
- (Εικ. 11) Το προϊόν συμμορφώνεται με τις ισχύουσες οδηγίες ΕΕ.
- (Εικ. 12) Το προϊόν συμμορφώνεται με τις ισχύουσες οδηγίες του Η.Β.
- (Εικ. 13) Συνεχές ρεύμα.

- (Εικ. 17) Η απόσταση μεταξύ του μηχανήματος και των παρευρισκομένων θα πρέπει να είναι τουλάχιστον 15 m (50 ft).

yyyywwxxxx Η πινακίδα στοιχείων ή το τυπωμένο μέρος με λείζερ δείχνει τον αριθμό σειράς. Το **yyyy** είναι το έτος παραγωγής και το **ww** είναι η εβδομάδα παραγωγής.

Σύμβολα στο προϊόν

- (Εικ. 2) ΠΡΟΕΙΔΟΠΟΙΗΣΗ: Αυτό το προϊόν μπορεί να είναι επικίνδυνο και να προκαλέσει σοβαρό τραυματισμό ή θάνατο του χειριστή ή άλλων ατόμων. Να είστε προσεκτικοί και να χρησιμοποιείτε το προϊόν σωστά.
- (Εικ. 3) Προτού χρησιμοποιήσετε το προϊόν, διαβάστε προσεκτικά το εγχειρίδιο χρήσης και βεβαιωθείτε ότι έχετε κατανοήσει τις οδηγίες.
- (Εικ. 4) Να χρησιμοποιείτε μέσα προστασίας των ματιών.
- (Εικ. 5) Αποφύγετε την έκθεση στη βροχή.
- (Εικ. 6) Εκπομπές θορύβου στην ετικέτα περιβάλλοντος σύμφωνα με τις οδηγίες και τους κανονισμούς της ΕΕ (συμπεριλαμβανομένης και της νομοθεσίας της Νέας Νότιας Ουαλίας) και

του Ηνωμένου Βασιλείου. Τα στοιχεία για τις εκπομπές θορύβου βρίσκονται στην ετικέτα του μηχανήματος και στο κεφάλαιο "Τεχνικά στοιχεία".

- (Εικ. 7) Αποσυνδέστε την μπαταρία πριν από τη συντήρηση.
- (Εικ. 8) Το προϊόν ή η συσκευασία του προϊόντος δεν αποτελεί οικιακό απόρριμμα. Ανακυκλώστε το σε κέντρο ανακύκλωσης ηλεκτρικού και ηλεκτρονικού εξοπλισμού.
- (Εικ. 9) Προσοχή σε αντικείμενα που εκτοξεύονται.
- (Εικ. 10) Μην χρησιμοποιείτε μεταλλικές λεπίδες.
- (Εικ. 11) Το προϊόν συμμορφώνεται με τις ισχύουσες οδηγίες ΕΕ.
- (Εικ. 13) Συνεχές ρεύμα.

(Εικ. 17) Η απόσταση μεταξύ του μηχανήματος και των παρευρισκομένων θα πρέπει να είναι τουλάχιστον 15 m (50 ft).

yyyywwxxxxx Η πινακίδα στοιχείων ή το τυπωμένο μέρος με λείξερ δείχνει τον αριθμό σειράς. Το **yyyy** είναι το έτος παραγωγής και το **ww** είναι η εβδομάδα παραγωγής.

(Εικ. 19)

Η μπαταρία πρέπει να χρησιμοποιείται μόνο σε προϊόντα από τους συνεργάτες του συστήματος POWER FOR ALL.

(Εικ. 14) Μετασηματιστής εξασφαλισμένης λειτουργίας σε περίπτωση βλάβης.

(Εικ. 15) Χρησιμοποιείτε και φυλάσσετε το φορτιστή μπαταρίας μόνο σε εσωτερικούς χώρους.

(Εικ. 16) Διπλή μόνωση.

Ζημιά στο προϊόν

Δεν φέρουμε ευθύνη για ζημιές στο προϊόν μας εάν:

- Το προϊόν έχει επισκευαστεί λανθασμένα.
- Το προϊόν έχει επισκευαστεί με εξαρτήματα που δεν προέρχονται από τον κατασκευαστή ή που δεν έχουν εγκριθεί από τον κατασκευαστή.
- Το προϊόν διαθέτει ένα αξεσουάρ που δεν προέρχεται από τον κατασκευαστή ή που δεν έχει εγκριθεί από τον κατασκευαστή.
- Το προϊόν δεν έχει επισκευαστεί σε εγκεκριμένο κέντρο σέρβις ή από εγκεκριμένη αρχή.

Κατασκευαστής

Husqvarna AB
SE-561 82, Huskvarna, Sweden

Σύμβολα στην μπαταρία ή/και στον φορτιστή της μπαταρίας

(Εικ. 18) Ανακυκλώστε αυτό το προϊόν σε κέντρο ανακύκλωσης ηλεκτρικού και ηλεκτρονικού εξοπλισμού. (Ισχύει μόνο για την Ευρώπη)

Ασφάλεια

Ορισμοί για την ασφάλεια

Για την επισήμανση ειδικών σημαντικών τμημάτων του εγχειριδίου χρησιμοποιούνται προειδοποιήσεις, συστάσεις προσοχής και σημειώσεις.



ΠΡΟΕΙΔΟΠΟΙΗΣΗ: Χρησιμοποιείται όταν υπάρχει κίνδυνος τραυματισμού ή θανάτου του χειριστή ή άλλων

παριστάμενων ατόμων, αν δεν τηρηθούν οι οδηγίες που παρέχονται στο εγχειρίδιο.



ΠΡΟΣΟΧΗ: Χρησιμοποιείται όταν υπάρχει κίνδυνος πρόκλησης ζημιάς στο προϊόν, σε άλλα υλικά ή στον παρακαείμενο χώρο, αν δεν τηρηθούν οι οδηγίες που παρέχονται στο εγχειρίδιο.

Περιεχόμενα Χρησιμοποιείται για παροχή περισσότερων πληροφοριών, οι οποίες χρειάζονται σε μια δεδομένη κατάσταση.

Γενικές προειδοποιήσεις ασφαλείας ηλεκτρικού εργαλείου



ΠΡΟΕΙΔΟΠΟΙΗΣΗ: Διαβάστε όλες τις προειδοποιήσεις ασφαλείας και όλες τις οδηγίες. Η μη τήρηση των προειδοποιήσεων και των οδηγιών μπορεί να προκαλέσει ηλεκτροπληξία, πυρκαγιά ή/και σοβαρό τραυματισμό.

Περιεχόμενα Φυλάσσετε τις προειδοποιήσεις και τις οδηγίες ώστε να ανατρέχετε αργότερα σε αυτές. Ο όρος "ηλεκτρικό εργαλείο" που χρησιμοποιείται στις προειδοποιήσεις αναφέρεται στο εργαλείο που τροφοδοτείται από το δίκτυο ρεύματος (με καλώδιο) ή στο εργαλείο που τροφοδοτείται από μπαταρία (χωρίς καλώδιο).

Έλεγχος πριν από την εκκίνηση

- Αφαιρείτε πάντα την μπαταρία για να αποτρέψετε τυχόν ακούσια εκκίνηση του προϊόντος. Αφαιρείτε πάντα την μπαταρία προτού εκτελέσετε συντήρηση στο προϊόν.
- Πριν από τη χρήση του προϊόντος και μετά από τυχόν πρόσκρουση, ελέγξτε για ενδείξεις φθοράς ή ζημιάς και επισκευάστε όπως απαιτείται.
- Επιθεωρήστε τον χώρο εργασίας. Απομακρύνετε όλα τα ελεύθερα αντικείμενα, όπως πέτρες, σπασμένα γυαλιά, ασφάλινα σύρματα, σχοινιά κ.λπ. που μπορεί να εκτοξευθούν ή να τυλιχτούν γύρω από το κοπτικό εργαλείο ή τον προφυλακτήρα του κοπτικού εργαλείου.
- Ελέγξτε τον κινητήρα για ρύπους και ρωγμές. Καθαρίστε το χορτάρι και τα φύλλα από τον κινητήρα χρησιμοποιώντας βούρτσα. Φορέστε γάντια όταν χρειάζεται.
- Ελέγξτε αν η κεφαλή του χορτοκοπτικού είναι πλήρως συνδεδεμένη στο χορτοκοπτικό.
- Βεβαιωθείτε ότι το μηχάνημα βρίσκεται σε άριστη κατάσταση λειτουργίας. Βεβαιωθείτε ότι όλα τα παξιμάδια και οι βίδες είναι σφιγμένα.
- Ελέγξτε αν η κεφαλή και ο προφυλακτήρας χορτοκοπτικού δεν παρουσιάζουν βλάβες ή ρωγμές. Αντικαταστήστε την κεφαλή ή τον προφυλακτήρα χορτοκοπτικού σε περίπτωση που εκτεθούν σε κραδασμούς ή παρουσιάζουν ρωγμές. Χρησιμοποιείτε πάντα το συνιστώμενο προστατευτικό για το εξάρτημα κοπής που χρησιμοποιείτε. Δείτε το κεφάλαιο για τα Τεχνικά στοιχεία.
- Ο χειριστής του προϊόντος θα πρέπει, κατά τη διάρκεια της εργασίας του, να διασφαλίζει ότι δεν πλησιάζουν άνθρωποι ή ζώα σε απόσταση

μικρότερη από 15 μέτρα από το μηχάνημα. Όταν εργάζονται πολλοί χειριστές στην ίδια περιοχή, η απόσταση ασφαλείας πρέπει να είναι τουλάχιστον 15 μέτρα.

- Πραγματοποιήστε γενική επιθεώρηση του προϊόντος πριν από τη χρήση. Ανατρέξτε στο πρόγραμμα συντήρησης.
- Για τη χρήση ενδέχεται να ισχύουν εθνικοί ή τοπικοί κανονισμοί. Οι εκάστοτε κανονισμοί πρέπει να τηρούνται.

Ασφάλεια στο χώρο εργασίας

- Διατηρείτε το χώρο εργασίας καθαρό και με καλό φωτισμό. Οι ακατάστατοι ή σκοτεινοί χώροι ενέχουν τον κίνδυνο ατυχημάτων.
- Μην χειρίζεστε ηλεκτρικά εργαλεία σε εκρηκτικές ατμόσφαιρες, π.χ. παρουσία εύφλεκτων υγρών, αερίων ή σωματιδίων σκόνης. Τα ηλεκτρικά εργαλεία δημιουργούν σπινθήρες, οι οποίοι ενδέχεται να προκαλέσουν την ανάφλεξη των σωματιδίων ή των καπνών.
- Κατά το χειρισμό ενός ηλεκτρικού εργαλείου, δεν πρέπει να βρίσκονται κοντά παιδιά ή άλλοι παρευρισκόμενοι. Ενδέχεται να αποσπάσουν την προσοχή σας, με αποτέλεσμα να χάσετε τον έλεγχο.

Ασφάλεια με το ηλεκτρικό ρεύμα

- Το βύσμα του ηλεκτρικού εργαλείου πρέπει να ταιριάζει στην πρίζα. Μην τροποποιείτε ποτέ το βύσμα. Μην χρησιμοποιείτε προσαρμογείς με γειωμένα ηλεκτρικά εργαλεία. Η χρήση μη τροποποιημένων φικς και αντίστοιχων πριζών μειώνει τον κίνδυνο ηλεκτροπληξίας.
- Αποφεύγετε την επαφή του σώματος με γειωμένες επιφάνειες, όπως σωλήνες, καλοριφέρ, κουζίνες και ψυγεία. Υπάρχει αυξημένος κίνδυνος ηλεκτροπληξίας, αν το σώμα σας έρθει σε επαφή με τη γείωση.
- Μην εκθέτετε ηλεκτρικά εργαλεία σε βροχή ή σε συνθήκες υγρασίας. Σε περίπτωση εισχώρησης νερού σε ηλεκτρικό εργαλείο, αυξάνεται ο κίνδυνος ηλεκτροπληξίας.
- Μην προκαλείτε φθορά στο καλώδιο. Μην χρησιμοποιείτε ποτέ το καλώδιο για τη μεταφορά, το τράβηγμα ή την αποσύνδεση του ηλεκτρικού εργαλείου. Φυλάσσετε το καλώδιο μακριά από θερμότητα, λάδια, αιχμηρές άκρες ή κινούμενα εξαρτήματα. Εάν το καλώδιο καταστραφεί ή εμπλακεί, αυξάνεται ο κίνδυνος ηλεκτροπληξίας.
- Όταν χρησιμοποιείτε ένα ηλεκτρικό εργαλείο σε εξωτερικό χώρο, χρησιμοποιήστε ένα καλώδιο πρόεκτασης που είναι κατάλληλο για χρήση σε εξωτερικό χώρο. Η χρήση καλωδίων κατάλληλων για εξωτερικό χώρο μειώνει τον κίνδυνο ηλεκτροπληξίας.
- Αν η χρήση ενός ηλεκτρικού εργαλείου σε χώρο με υγρασία είναι αναπόφευκτη, χρησιμοποιήστε παροχή ρεύματος με διάταξη προστασίας από ρεύματα διαρροής (RCD). Η χρήση μιας διάταξης RCD μειώνει τον κίνδυνο ηλεκτροπληξίας.

Προσωπική ασφάλεια

- **Να είστε προσεκτικοί, να παρακολουθείτε αυτό που κάνετε και να χρησιμοποιείτε την κοινή λογική όταν χρησιμοποιείτε ένα ηλεκτρικό εργαλείο. Μην χρησιμοποιείτε ηλεκτρικά εργαλεία όταν είστε κουρασμένοι ή υπό την επίδραση ναρκωτικών, αλκοόλ ή φαρμάκων.** Μια στιγμή απροσεξίας, κατά το χειρισμό ηλεκτρικών εργαλείων, μπορεί να οδηγήσει σε σοβαρό τραυματισμό.
- **Χρησιμοποιείτε απομικό προστατευτικό εξοπλισμό. Φοράτε πάντοτε προστατευτικά γυαλιά.** Ο εξοπλισμός προστασίας, όπως προστατευτική μάσκα αναπνοής, αντλιοσηθιακά παπούτσια ασφαλείας, κράνος ή προστατευτικά ακοής σε κατάλληλες συνθήκες, μειώνει τον κίνδυνο τραυματισμών.
- **Φροντίστε ώστε να μην είναι επικίνδυνη η ακούσια εκκίνηση. Βεβαιωθείτε ότι ο διακόπτης βρίσκεται στη θέση OFF προτού συνδέσετε το εργαλείο στην πηγή τροφοδοσίας ή/και στην μπαταρία και προτού πάσετε ή μεταφέρετε το εργαλείο.** Η μεταφορά των ηλεκτρικών εργαλείων, ενώ έχετε το χέρι σας στο διακόπτη ή η σύνδεση σε πρίζα των ηλεκτρικών εργαλείων με διακόπτη ενέχει τον κίνδυνο ατυχήματος.
- **Αφαιρέστε τυχόν κλειδιά προσαρμογής ή σύσφιξης, πριν ενεργοποιήσετε το ηλεκτρικό εργαλείο.** Ένα κλειδί σύσφιξης ή προσαρμογής που παραμένει προσαρτημένο σε κινούμενο μέρος του ηλεκτρικού εργαλείου μπορεί να οδηγήσει σε τραυματισμό.
- **Μην υπερεκτιμάτε τις δυνατότητές σας. Να πατάτε καλά τα πόδια σας και να διακρίνετε την ισορροπία σας συνέχεια.** Έτσι επιτυγχάνεται καλύτερος έλεγχος του ηλεκτρικού εργαλείου, σε τυχόν απρόβλεπτες καταστάσεις.
- **Φοράτε κατάλληλα ρούχα. Μην φοράτε φαρδιά ρούχα ή κοσμήματα. Φροντίστε τα μαλλιά και τα ρούχα σας να βρίσκονται σε απόσταση από τα κινούμενα εξαρτήματα.** Τα φαρδιά ρούχα, τα κοσμήματα ή τα μακριά μαλλιά ενδέχεται να πιαστούν σε κινούμενα μέρη.
- **Εάν παρέχονται διατάξεις για τη σύνδεση συστημάτων συλλογής και απομάκρυνσης σκόνης, βεβαιωθείτε ότι αυτές έχουν συνδεθεί και χρησιμοποιούνται σωστά.** Χρησιμοποιείτε σύστημα συλλογής σκόνης για να μειώσετε τους κινδύνους που σχετίζονται με τη σκόνη.
- **Ακόμη και αν χρησιμοποιείτε συχνά και είστε εξοικειωμένοι με τα εργαλεία, μην επαναπαύεστε και μην παραβλέπετε τις αρχές ασφαλείας των εργαλείων.** Μια απρόσεκτη ενέργεια μπορεί να προκαλέσει σοβαρό τραυματισμό σε κλάσμα του δευτερολέπτου.
- Η εκπομπή κραδασμών κατά την πραγματική χρήση του ηλεκτρικού εργαλείου μπορεί να διαφέρει από τη δηλωθείσα συνολική τιμή, ανάλογα με τους τρόπους χρήσης του εργαλείου. Οι χειριστές πρέπει να προσδιορίζουν τα μέτρα ασφαλείας για την προστασία τους που βασίζονται σε εκτίμηση της έκθεσης σε πραγματικές συνθήκες χρήσης (λαμβάνοντας υπόψη όλα τα μέρη του κύκλου

λειτουργίας, όπως οι χρόνοι κατά τους οποίους το εργαλείο είναι απενεργοποιημένο και οι χρόνοι λειτουργίας ρελαντί, επιπρόσθετα της σκανδάλης).

Χρήση και φροντίδα των ηλεκτρικών εργαλείων

- **Μην ασκείτε μεγάλη δύναμη στο ηλεκτρικό εργαλείο. Χρησιμοποιείτε το κατάλληλο ηλεκτρικό εργαλείο για την εφαρμογή σας.** Το κατάλληλο ηλεκτρικό εργαλείο θα έχει καλύτερα αποτελέσματα για την εργασία σας και θα είναι ασφαλέστερο, στο βαθμό για τον οποίο είναι σχεδιασμένο.
- **Μην χρησιμοποιείτε το ηλεκτρικό εργαλείο, εάν δεν μπορεί να ενεργοποιηθεί και να απενεργοποιηθεί με το διακόπτη.** Ένα ηλεκτρικό εργαλείο που δεν μπορεί να ελεγχθεί από το διακόπτη είναι επικίνδυνο και πρέπει να επισκευαστεί.
- **Αποσυνδέστε το βύσμα από την πηγή τροφοδοσίας ή/και αφαιρέστε την μπαταρία (αν είναι αποσπώμενη) από το ηλεκτρικό εργαλείο πριν από την πραγματοποίηση ρυθμίσεων, την αλλαγή αξεσουάρ ή την αποθήκευση ηλεκτρικών εργαλείων.** Αυτά τα προληπτικά μέτρα ασφαλείας μειώνουν τον κίνδυνο ακούσιας εκκίνησης του ηλεκτρικού εργαλείου.
- **Φυλάσσετε τα ηλεκτρικά εργαλεία που βρίσκονται σε αδράνεια, μακριά από παιδιά και μην επιτρέπτε σε άτομα που δεν είναι εξοικειωμένα με αυτά ή με τις οδηγίες να χρησιμοποιούν το ηλεκτρικό εργαλείο.** Τα ηλεκτρικά εργαλεία είναι επικίνδυνα στα χέρια μη εκπαιδευμένων χρηστών.
- **Φροντίστε να συντηρείτε τα ηλεκτρικά εργαλεία και τα αξεσουάρ. Ελέγχετε για τυχόν μη ευθυγραμμισμένα ή μπλοκαρισμένα κινούμενα μέρη, ρωγμές στα διάφορα μέρη και κάθε άλλη κατάσταση που μπορεί να επηρεάζει τη λειτουργία του ηλεκτρικού εργαλείου. Σε περίπτωση ζημιάς, φροντίστε για την επισκευή του ηλεκτρικού εργαλείου πριν το χρησιμοποιήσετε.** Πολλά ατυχήματα προκαλούνται από ηλεκτρικά εργαλεία που δεν συντηρούνται σωστά.
- **Διατηρείτε τα εργαλεία κοπής αιχμηρά και καθαρά.** Εάν τα εργαλεία κοπής συντηρούνται σωστά, με αιχμηρές άκρες κοπής, είναι λιγότερο πιθανή η εμπλοκή τους και πιο εύκολος ο έλεγχός τους.
- **Χρησιμοποιείτε το ηλεκτρικό εργαλείο, τα εξαρτήματα και τα τρυπάνια σύμφωνα με τις οδηγίες αυτές, λαμβάνοντας υπόψη τις συνθήκες εργασίας και την εργασία που πρέπει να εκτελεστεί.** Η χρήση των ηλεκτρικών εργαλείων για εφαρμογές διαφορετικές από αυτές για τις οποίες προορίζονται μπορεί να οδηγήσει σε επικίνδυνες καταστάσεις.
- **Διατηρήστε τις χειρολαβές και τις επιφάνειες κρατήματος στεγνές και καθαρές, χωρίς λάδια και γράσο.** Οι ολισθηρές λαβές και επιφάνειες κρατήματος δεν επιτρέπουν τον ασφαλή χειρισμό και έλεγχο του εργαλείου σε απρόβλεπτες καταστάσεις.

Χρήση και φροντίδα εργαλείων μπαταρίας

- **Να επαναφορτίζετε μόνο με το φορτιστή που ορίζεται από τον κατασκευαστή.** Ένας φορτιστής κατάλληλος για έναν τύπο συστοιχίας μπαταριών μπορεί να

δημιουργήσει κίνδυνο φωτιάς κατά τη χρήση με άλλη συστοιχία μπαταριών.

- **Χρησιμοποιείτε προϊόντα μόνο με τις προδιαγραφόμενες μπαταρίες.** Η χρήση οποιασδήποτε άλλης μπαταρίας μπορεί να προκαλέσει κίνδυνο τραυματισμού και πυρκαγιάς.
- **Όταν η μπαταρία δεν χρησιμοποιείται, πρέπει να την φυλάσσετε μακριά από άλλα μεταλλικά αντικείμενα, όπως συνδετήρες, νομίσματα, κλειδιά, καρφιά, βίδες ή άλλα μικρά μεταλλικά αντικείμενα, που μπορεί να προκαλέσουν ένωση των πόλων.** Η βραχυκύκλωση των ακροδεκτών της μπαταρίας μεταξύ τους μπορεί να προκαλέσει εγκαύματα ή πυρκαγιά.
- **Σε περίπτωση ακατάλληλου χειρισμού, μπορεί να εκπναχθεί υγρό από την μπαταρία. Αποφεύγετε κάθε επαφή. Σε περίπτωση τυχαίας επαφής, ξεπλύνετε με νερό. Εάν το υγρό έρθει σε επαφή με τα μάτια, ζητήστε επίσης ιατρική βοήθεια.** Η εκτόξευση υγρού από την μπαταρία μπορεί να προκαλέσει ερεθισμούς ή εγκαύματα.
- **Μην χρησιμοποιείτε μπαταρίες ή εργαλεία που έχουν υποστεί ζημιά ή μετατροπές.** Οι μπαταρίες που έχουν υποστεί ζημιά ή τροποποίηση μπορεί να παρουσιάσουν απρόβλεπτη συμπεριφορά με αποτέλεσμα να προκληθεί κίνδυνος πυρκαγιάς, έκρηξης ή τραυματισμού.
- **Μην εκθέτετε τις μπαταρίες ή τα εργαλεία σε φωτιά ή υπερβολική θερμοκρασία.** Η έκθεση σε φωτιά ή θερμοκρασίες πάνω από 130 °C/265 °F μπορεί να προκαλέσει έκρηξη.
- **Ακολουθήστε όλες τις οδηγίες φόρτισης και μην φορτίζετε τις μπαταρίες ή τα εργαλεία εκτός του εύρους θερμοκρασίας που προδιαγράφεται στις οδηγίες.** Η φόρτιση με λανθασμένο τρόπο ή σε θερμοκρασίες εκτός του προδιαγραφόμενου εύρους μπορεί να προκαλέσει ζημιά στην μπαταρία και αυξάνει τον κίνδυνο πυρκαγιάς.

Σέρβις

- **Αναθέστε το σέρβις του ηλεκτρικού σας εργαλείου σε εξειδικευμένο τεχνικό για επίσκεψη με τη χρήση μόνο πανομοιότυπων ανταλλακτικών.** Έτσι θα διασφαλίζεται η διατήρηση της ασφάλειας του ηλεκτρικού εργαλείου.
- **Μην εκτελείτε εργασίες σέρβις σε κατεστραμμένες μπαταρίες.** Οι εργασίες σέρβις σε μπαταρίες θα πρέπει να εκτελούνται μόνο από τον κατασκευαστή ή από εξουσιοδοτημένα καταστήματα σέρβις.

Πρέπει πάντα να χρησιμοποιείτε την κοινή λογική

Δεν είναι δυνατό να καλυφθούν όλες οι περιπτώσεις που ενδέχεται να συναντήσετε. Πρέπει πάντα να είστε προσεκτικοί και να χρησιμοποιείτε την κοινή λογική. Αποφεύγετε καταστάσεις τις οποίες θεωρείτε πέραν των δυνατοτήτων σας. Εάν δεν αισθάνεστε σίγουροι για τις διαδικασίες χειρισμού, αφού διαβάσετε αυτές τις οδηγίες, θα πρέπει να συμβουλευτείτε κάποιον ειδικό πριν συνεχίσετε.



ΠΡΟΕΙΔΟΠΟΙΗΣΗ: Μην επιτρέπεται ποτέ σε παιδιά να χρησιμοποιούν ή να βρίσκονται κοντά στο μηχάνημα. Δεδομένου ότι η εκκίνηση του μηχανήματος είναι εύκολη, τα παιδιά μπορούν να το ξεκινήσουν εάν δεν βρίσκονται υπό συνεχή επίτηρηση. Αυτό μπορεί να οδηγήσει σε σοβαρό προσωπικό τραυματισμό. Συνεπώς, αποσυνδέετε τη μπαταρία, όταν το μηχάνημα δεν βρίσκεται υπό στενή εποπτεία.

Γενικές οδηγίες ασφαλείας



ΠΡΟΕΙΔΟΠΟΙΗΣΗ: Προτού χρησιμοποιήσετε το προϊόν, διαβάστε τις παρακάτω προειδοποιητικές οδηγίες.

- Αφαιρέστε την μπαταρία για να αποτρέψετε ακούσια εκκίνηση του προϊόντος.
- Αυτό το προϊόν είναι ένα επικίνδυνο εργαλείο εάν δεν είστε προσεκτικοί ή δεν το χρησιμοποιείτε σωστά. Αυτό το προϊόν μπορεί να προκαλέσει σοβαρό τραυματισμό ή θάνατο του χειριστή ή άλλων ατόμων.
- Μην χρησιμοποιείτε το προϊόν εάν τροποποιηθεί από τις αρχικές του προδιαγραφές. Μην αλλάξετε ένα εξάρτημα του προϊόντος χωρίς έγκριση από τον κατασκευαστή. Χρησιμοποιήστε μόνο εξαρτήματα που έχουν εγκριθεί από τον κατασκευαστή. Λόγω της εσφαλμένης συντήρησης μπορεί να προκληθεί τραυματισμός ή θάνατος.
- Ελέγξτε το προϊόν προτού το χρησιμοποιήσετε. Ανατρέξτε στην ενότητα, *Ελεγχος πριν από την εκκίνηση στη σελίδα 113 και Προτού χρησιμοποιήσετε το προϊόν στη σελίδα 121.* Μην χρησιμοποιείτε το προϊόν εάν έχει υποστεί ζημιά ή δεν λειτουργεί σωστά. Πραγματοποιείτε όλους τους ελέγχους ασφαλείας και τηρείτε τις οδηγίες συντήρησης και σέρβις που αναφέρονται στο παρόν εγχειρίδιο.
- Τα παιδιά πρέπει να εποπτεύονται ώστε να διασφαλιστεί ότι δεν παίζουν με το προϊόν. Μην επιτρέπεται ποτέ σε παιδιά ή άλλα μη εκπαιδευμένα σχετικά με τη χρήση του προϊόντος ή της μπαταρίας άτομα να χρησιμοποιούν το μηχάνημα ή/και την μπαταρία ή να πραγματοποιούν εργασίες συντήρησης σε αυτό. Η τοπική νομοθεσία πιθανώς να ορίζει την κατάλληλη ηλικία του χρήστη.
- Φυλάξτε το προϊόν σε κλειδωμένο χώρο για να αποτρέψετε την πρόσβαση σε παιδιά ή μη εγκεκριμένα άτομα.
- Αποθηκεύστε το προϊόν μακριά από παιδιά.
- Δεν επιτρέπονται, σε καμία περίπτωση, τροποποιήσεις στη σχεδίαση του προϊόντος χωρίς την έγκριση του κατασκευαστή. Πρέπει πάντα να χρησιμοποιείτε γνήσια αξεσουάρ. Η μη εξουσιοδοτημένη εκτέλεση τροποποιήσεων ή/και η χρήση μη γνήσιων αξεσουάρ μπορεί να οδηγήσει σε σοβαρό προσωπικό τραυματισμό ή θάνατο του χειριστή και άλλων ατόμων.

Περιεχόμενα Η χρήση μπορεί να ρυθμίζεται από εθνικούς ή τοπικούς κανονισμούς. Οι εκάστοτε κανονισμοί πρέπει να τηρούνται.

Οδηγίες ασφαλείας για τη λειτουργία



ΠΡΟΕΙΔΟΠΟΙΗΣΗ: Προτού χρησιμοποιήσετε το προϊόν, διαβάστε τις παρακάτω προειδοποιητικές οδηγίες.

- Μην χρησιμοποιείτε το μηχάνημα σε κακές καιρικές συνθήκες, ιδιαίτερα όταν υπάρχει κίνδυνος κεραυνού. Έτσι μειώνεται ο κίνδυνος να σας χτυπήσει κεραυνός.
- Επιθεωρήστε προσεκτικά την περιοχή για ύπαρξη πανίδας όπου θα χρησιμοποιηθεί το μηχάνημα. Η πανίδα μπορεί να τραυματιστεί από το μηχάνημα κατά τη διάρκεια της λειτουργίας.
- Επιθεωρήστε προσεκτικά την περιοχή όπου θα χρησιμοποιηθεί το μηχάνημα και αφαιρέστε όλες τις πέτρες, τα κλαδιά, τα καλώδια, τα κόκκαλα και οποιαδήποτε άλλα ξένα αντικείμενα. Τα αντικείμενα που εκτοξεύονται μπορούν να προκαλέσουν τραυματισμό.
- Πριν από τη χρήση του μηχανήματος, επιθεωρείτε πάντα οπτικά για να βεβαιωθείτε ότι ο κόφτης και το συγκρότημα κόφτη δεν έχουν υποστεί ζημιά. Τα εξαρτήματα που έχουν υποστεί ζημιά αυξάνουν τον κίνδυνο τραυματισμού.
- Διατηρείτε τα προστατευτικά στη θέση τους. Τα προστατευτικά πρέπει να βρίσκονται σε λειτουργική κατάσταση και να είναι σωστά τοποθετημένα. Εάν ένα προστατευτικό είναι χαλαρό, έχει υποστεί ζημιά ή δεν λειτουργεί σωστά, μπορεί να προκληθεί τραυματισμός.
- Διατηρήστε όλες τις εισαγωγές αέρα ψύξης καθαρές από υπολείμματα. Οι φραγμένες εισαγωγές αέρα και τα υπολείμματα μπορεί να προκαλέσουν υπερθέρμανση ή κίνδυνο πυρκαγιάς.
- Να χρησιμοποιείτε πάντα προστατευτικά γυαλιά και προστατευτικά ακοής. Ο επαρκής εξοπλισμός προστασίας θα μειώσει τους τραυματισμούς.
- Κατά τη λειτουργία του μηχανήματος, φοράτε πάντα ανπολισθητικά και προστατευτικά παπούτσια. Μην χρησιμοποιείτε το μηχάνημα με γυμνά πόδια ή φορώντας σανδάλια. Αυτό μειώνει την πιθανότητα τραυματισμού των ποδιών από επαφή με τον κινούμενο κόφτη.
- Φοράτε πάντα ρούχα, όπως παντελόνια που καλύπτουν τα πόδια του χειριστή, κατά τον χειρισμό του μηχανήματος. Η επαφή με τον κινούμενο κόφτη ή τη μεσινέζα μπορεί να προκαλέσει τραυματισμό.
- Απομακρύνετε τυχόν παριστάμενα άτομα κατά τη λειτουργία του μηχανήματος. Τα υπολείμματα που πέφτουν μπορεί να οδηγήσουν σε σοβαρό τραυματισμό.
- Μην χρησιμοποιείτε το μηχάνημα πάνω από το ύψος της μέσης. Αυτό εμποδίζει την ακούσια επαφή του

κόφτη και παρέχει καλύτερο έλεγχο του μηχανήματος σε απρόβλεπτες καταστάσεις.

- **Να είστε προσεκτικοί όταν χρησιμοποιείτε το μηχάνημα σε βρεγμένο χορτάρι. Περιπατάτε, ποτέ μην τρέχετε.** Αυτό μειώνει τον κίνδυνο ολίσθησης και πτώσης, γεγονός που μπορεί να οδηγήσει σε τραυματισμό.
- **Μην χρησιμοποιείτε το μηχάνημα σε υπερβολικά απότομα πρανή.** Αυτό μειώνει τον κίνδυνο απώλειας ελέγχου, ολίσθησης και πτώσης, γεγονός που μπορεί να οδηγήσει σε τραυματισμό.
- **Κατά την εργασία σε πρανή, πρέπει πάντα να είστε σίγουροι πού πατάτε, να εργάζεστε πάντα κινούμενοι εγκάρσια στις επιφάνειες με κλίση, ποτέ προς τα πάνω ή προς τα κάτω και να είστε ιδιαίτερα προσεκτικοί κατά την αλλαγή κατεύθυνσης.** Αυτό μειώνει τον κίνδυνο απώλειας ελέγχου, ολίσθησης και πτώσης, γεγονός που μπορεί να οδηγήσει σε τραυματισμό.
- **Κρατήστε όλα τα καλώδια ρεύματος και τα καλώδια μακριά από την περιοχή κοπής.** Τα καλώδια ρεύματος ή τα καλώδια μπορεί να είναι κρυμμένα σε φράχτες ή θάμνους και μπορεί να κοπούν κατά λάθος από τον δίσκο.
- **Διατηρήστε όλα τα μέρη του σώματος μακριά από τον κινούμενο κόφτη ή τη μεσινέζα. Μην απομακρύνετε υλικά από το μηχάνημα μέχρι να το αποσυνδέσετε από την πηγή τροφοδοσίας.** Ο κινούμενος κόφτης ή η μεσινέζα μπορεί να οδηγήσει σε σοβαρό τραυματισμό.
- **Μεταφέρετε το μηχάνημα απενεργοποιημένο και μακριά από το σώμα σας.** Ο σωστός χειρισμός του μηχανήματος θα μειώσει την πιθανότητα τυχάσις επαφής με έναν κινούμενο κόφτη ή μεσινέζα.
- **Χρησιμοποιείτε μόνο ανταλλακτικές κεφαλές κοπής και κόφτες ή μεσινέζες που καθορίζονται από τον κατασκευαστή. Μην αντικαθιστάτε τους κόπτες ή τις μεσινέζες με μεταλλικά σύρματα ή λεπίδες.** Η εσφαλμένη αντικατάσταση εξαρτημάτων μπορεί να προκαλέσει απώλεια ελέγχου, σπτάσιμο και τραυματισμό.

Προσωπικός εξοπλισμός προστασίας



ΠΡΟΕΙΔΟΠΟΙΗΣΗ: Προτού χρησιμοποιήσετε το προϊόν, διαβάστε τις παρακάτω προειδοποιητικές οδηγίες.

- Όταν χρησιμοποιείτε το προϊόν, να φοράτε πάντα εγκεκριμένο προσωπικό εξοπλισμό προστασίας. Ο προσωπικός εξοπλισμός προστασίας δεν μπορεί να εξαλείψει τον κίνδυνο τραυματισμών, ωστόσο μειώνει τη σοβαρότητά τους σε περίπτωση ατυχήματος. Ο αντιπρόσωπος θα σας βοηθήσει να επιλέξετε τον σωστό εξοπλισμό.
- Πρέπει να χρησιμοποιείτε εγκεκριμένα προστατευτικά ακοής.

(Εικ. 21)

- Πρέπει να χρησιμοποιείτε εγκεκριμένα μέσα προστασίας των ματιών. Εάν χρησιμοποιείτε

προστατευτικό γείσο, πρέπει επίσης να χρησιμοποιείτε πάντα εγκεκριμένα προστατευτικά γυαλιά. Τα εγκεκριμένα προστατευτικά γυαλιά πρέπει να συμμορφώνονται με το πρότυπο ANSI Z87.1 στις Η.Π.Α. ή το πρότυπο EN 166 στις χώρες της Ε.Ε.

(Εικ. 22)

- Όταν χρειάζεται, να χρησιμοποιείτε γάντια, για παράδειγμα κατά την τοποθέτηση, την επιθεώρηση ή τον καθαρισμό του εξοπλισμού κοπής.

(Εικ. 23)

- Πρέπει να χρησιμοποιείτε μπότες προστασίας με μεταλλική ενίσχυση στην περιοχή των δακτύλων και αντιολισθητικές σόλες.

(Εικ. 24)

- Να φοράτε ρούχα από ανθεκτικό ύφασμα. Να φοράτε πάντα ανθεκτικό μακρύ παντελόνι και μακριά μανίκια. Να μην φοράτε φαρδιά ρούχα που μπορεί να πιαστούν σε κλωνάρια και κλαδιά. Μην φοράτε κοσμήματα, κοντά παντελόνια ή σανδάλια. Μην περπατάτε με γυμνά πόδια. Να δένετε τα μαλλιά σας με ασφάλεια πάνω από το ύψος των ώμων.
- Διατηρήστε κοντά τον εξοπλισμό πρώτων βοηθειών.

(Εικ. 25)

Συσκευές ασφαλείας στο προϊόν



ΠΡΟΕΙΔΟΠΟΙΗΣΗ: Προτού χρησιμοποιήσετε το προϊόν, διαβάστε τις παρακάτω προειδοποιητικές οδηγίες.

Σε αυτή την ενότητα περιγράφονται τα χαρακτηριστικά ασφαλείας του προϊόντος, ο σκοπός του καθώς και ο τρόπος διεξαγωγής των ελέγχων και της συντήρησης για τη διασφάλιση της σωστής λειτουργίας του. Διαβάστε τις οδηγίες κάτω από την επικεφαλίδα *Εισαγωγή στη σελίδα 110* για να βρείτε πού βρίσκονται αυτά τα εξαρτήματα στο προϊόν σας.

Η διάρκεια ζωής του προϊόντος μπορεί να μειωθεί και ο κίνδυνος ατυχημάτων να αυξηθεί, εάν η συντήρηση του προϊόντος δεν πραγματοποιείται σωστά και εάν το σέρβις ή/και οι επισκευές δεν εκτελούνται επαγγελματικά. Εάν χρειαστείτε περισσότερες πληροφορίες, επικοινωνήστε με τον πλησιέστερο αντιπρόσωπο σέρβις.



ΠΡΟΕΙΔΟΠΟΙΗΣΗ: Μην χρησιμοποιείτε ποτέ ένα προϊόν με φθαρμένα εξαρτήματα ασφαλείας. Ο εξοπλισμός ασφαλείας του προϊόντος πρέπει να επιθεωρείται και να συντηρείται όπως περιγράφεται σε αυτήν την ενότητα. Εάν το προϊόν αποτύχει σε οποιονδήποτε από αυτούς τους ελέγχους, επικοινωνήστε με τον αντιπρόσωπο σέρβις για την επίσκεψή του.



ΠΡΟΣΟΧΗ: Όλες οι εργασίες σέρβις και επισκευής στο μηχανήμα απαιτούν ειδική εκπαίδευση. Αυτό ισχύει ιδιαίτερα για τον εξοπλισμό ασφαλείας του μηχανήματος. Εάν το μηχανήμα σας αποτύχει σε κάποιον από αυτούς τους ελέγχους που περιγράφονται παρακάτω, επικοινωνήστε με τον αντιπρόσωπο σέρβις. Όταν αγοράζετε οποιοδήποτε από τα προϊόντα μας, εγγυώμαστε τη διαθεσιμότητα επαγγελματικών επισκευών και σέρβις. Εάν το κατάστημα λιανικής πώλησης από όπου προμηθευτήκατε το μηχανήμα δεν είναι αντιπρόσωπος σέρβις, ζητήστε από το κατάστημα τη διεύθυνση του πλησιέστερου αντιπροσώπου σέρβις.

Έλεγχος των στοιχείων αλληλεπίδρασης με τον χρήστη

Οι πράσινες λυχνίες LED (A) υποδεικνύουν την κατάσταση της μπαταρίας όταν το προϊόν είναι ενεργοποιημένο αλλά δεν βρίσκεται σε λειτουργία.

1. Πατήστε παρατεταμένα το κουμπί ON/OFF (B). (Εικ. 26)
 - a) Το προϊόν είναι ενεργοποιημένο όταν οι πράσινες λυχνίες LED (A) είναι αναμμένες.
 - b) Το προϊόν είναι απενεργοποιημένο, όταν οι πράσινες λυχνίες LED (A) είναι σβηστές.
2. Ανατρέξτε στην ενότητα *Αντιμετώπιση προβλημάτων στη σελίδα 125* αν η προειδοποιητική ένδειξη (C) ανάψει ή αναβοσβήσει.

Έλεγχος της ασφάλειας της σκανδάλης γκαζιού

Η ασφάλεια της σκανδάλης γκαζιού αποτρέπει τυχόν ακούσια εκκίνηση. Όταν πατάτε την ασφάλεια της σκανδάλης γκαζιού (A), απελευθερώνεται η σκανδάλη γκαζιού (B). Εάν απελευθερώσετε τη λαβή, η σκανδάλη γκαζιού και η ασφάλεια της σκανδάλης γκαζιού επιστρέφουν στις αρχικές τους θέσεις. (Εικ. 27)

1. Βεβαιωθείτε ότι η σκανδάλη γκαζιού είναι ασφαλισμένη, όταν η ασφάλεια της σκανδάλης γκαζιού βρίσκεται στην αρχική της θέση. (Εικ. 28)
2. Πιέστε τη σκανδάλη γκαζιού και βεβαιωθείτε ότι επανέρχεται στην αρχική της θέση όταν την απελευθερώνετε. (Εικ. 29)
3. Βεβαιωθείτε ότι η σκανδάλη γκαζιού και η ασφάλεια της σκανδάλης γκαζιού κινούνται ελεύθερα και ότι το ελατήριο επαναφοράς λειτουργεί σωστά. (Εικ. 30)

4. Θέστε το προϊόν σε λειτουργία. Ανατρέξτε στην ενότητα *Εκκίνηση του προϊόντος στη σελίδα 122*.
5. Απελευθερώστε τη σκανδάλη γκαζιού και βεβαιωθείτε ότι το εξάρτημα κοπής σταματά εντελώς.

Για τον έλεγχο του προφυλακτήρα του εξαρτήματος κοπής



ΠΡΟΕΙΔΟΠΟΙΗΣΗ: Να μην χρησιμοποιείτε το εξάρτημα κοπής χωρίς έναν εγκεκριμένο και σωστά τοποθετημένο προφυλακτήρα. Χρησιμοποιείτε πάντα τον προφυλακτήρα που συνιστάται για το εξάρτημα κοπής που χρησιμοποιείτε, βλ. *Τεχνικά στοιχεία στη σελίδα 127*. Εάν τοποθετηθεί λανθασμένος ή ελαττωματικός προφυλακτήρας παρελκόμενου κοπής, μπορεί να προκληθεί σοβαρός τραυματισμός.

Ο προφυλακτήρας του παρελκόμενου κοπής σταματά τα αντικείμενα που εκτινάσσονται προς την κατεύθυνση του χειριστή. Επίσης ο προφυλακτήρας παρελκόμενου κοπής αποτρέπει τους τραυματισμούς που μπορεί να προκύψουν, εάν αγγίξετε το παρελκόμενο κοπής.

1. Σβήστε τον κινητήρα.
2. Εκτελέστε οπτικό έλεγχο για ζημιές, για παράδειγμα ρωγμές.
3. Αντικαταστήστε τον προφυλακτήρα του παρελκόμενου κοπής, αν έχει υποστεί ζημιά.

Εξοπλισμός κοπής

Να επιλέγετε το σωστό εξοπλισμό κοπής και να πραγματοποιείτε τις σχετικές εργασίες συντήρησης στον εξοπλισμό κοπής για:

- Να επιτυγχάνετε τη μέγιστη απόδοση κοπής.
- Να αυξήσετε τη διάρκεια ζωής του εξοπλισμού κοπής.



ΠΡΟΕΙΔΟΠΟΙΗΣΗ: Να χρησιμοποιείτε μόνο εξαρτήματα κοπής με τα προστατευτικά που συνιστούμε! Ανατρέξτε στην ενότητα *Τεχνικά στοιχεία στη σελίδα 127*. Ανατρέξτε στις οδηγίες για το εξάρτημα κοπής προκειμένου να ενημερωθείτε για το σωστό τρόπο φόρτωσης της μεσινέζας χορτοκοπτικού και για τη σωστή διάμετρο της μεσινέζας.



ΠΡΟΕΙΔΟΠΟΙΗΣΗ: Τα ελαττωματικά εξαρτήματα κοπής μπορεί να αυξήσουν τον κίνδυνο ατυχημάτων.

Κεφαλή χορτοκοπτικού



ΠΡΟΕΙΔΟΠΟΙΗΣΗ: Διασφαλίστε πάντα ότι η μεσινέζα του χορτοκοπτικού είναι τυλιγμένη σφικτά και ομοιόμορφα γύρω από την καμπίνα για την αποφυγή επιβλαβών κραδασμών.

(Εικ. 31)

- Χρησιμοποιείτε μόνο τις συνιστώμενες κεφαλές και μεσινέζες για το χορτοκοπτικό.
- Χρησιμοποιείτε μόνο τα συνιστώμενα παρελκόμενα κοπής.
- Τα μικρότερα μηχανήματα απαιτούν μικρές κεφαλές χορτοκοπτικού και αντιστρόφως.
- Το μήκος της μεσινέζας χορτοκοπτικού είναι σημαντικό. Μια μεγαλύτερη μεσινέζα χορτοκοπτικού απαιτεί μεγαλύτερη ισχύ κινητήρα σε σχέση με μια μικρότερη της ίδιας διαμέτρου.
- Βεβαιωθείτε ότι το κοπτικό εργαλείο στον προφυλακτήρα του χορτοκοπτικού είναι άθικτο. Αυτό κόβει τη μεσινέζα χορτοκοπτικού στο σωστό μήκος.
- Εμποτίστε τη μεσινέζα του χορτοκοπτικού με νερό για μερικές ημέρες προτού το χρησιμοποιήσετε, ώστε να αυξηθεί η διάρκεια ζωής.

Ασφάλεια μπαταρίας



ΠΡΟΕΙΔΟΠΟΙΗΣΗ: Διαβάστε όλες τις οδηγίες ασφαλείας και τις γενικές οδηγίες. Η μη τήρηση των οδηγιών ασφαλείας και των γενικών οδηγιών μπορεί να προκαλέσει ηλεκτροπληξία, πυρκαγιά ή/και σοβαρό τραυματισμό. **Φυλάξτε όλες τις πληροφορίες ασφαλείας και τις γενικές οδηγίες για μελλοντική αναφορά.**

- Αυτές οι οδηγίες ασφαλείας ισχύουν μόνο για τις επαναφορτιζόμενες μπαταρίες ιόντων λιθίου 18 V για το σύστημα POWER FOR ALL.
- Η επαναφορτιζόμενη μπαταρία πρέπει να χρησιμοποιείται μόνο σε προϊόντα από τους συνεργάτες του συστήματος POWER FOR ALL. Οι επαναφορτιζόμενες μπαταρίες 18 V που φέρουν την ένδειξη POWER FOR ALL είναι πλήρως συμβατές με τα ακόλουθα προϊόντα:
 - Όλα τα προϊόντα του συστήματος μπαταριών POWER FOR ALL 18 V.
 - Όλα τα προϊόντα 18 V από τους συνεργάτες του συστήματος POWER FOR ALL.
- Πρέπει να τηρείτε τις συστάσεις για την μπαταρία που παρέχονται στο εγχειρίδιο χρήσης του προϊόντος. Μόνο με αυτόν τον τρόπο μπορεί η επαναφορτιζόμενη μπαταρία και το προϊόν να λειτουργούν χωρίς κίνδυνο και να προστατεύονται οι επαναφορτιζόμενες μπαταρίες από επικίνδυνη υπερφόρτωση.

- Πρέπει να φορτίζετε τις μπαταρίες μόνο με τους φορτιστές που συνιστώνται από τον κατασκευαστή ή από τους συνεργάτες του συστήματος POWER FOR ALL. Ένας φορτιστής που είναι κατάλληλος για έναν τύπο μπαταρίας μπορεί να δημιουργήσει κίνδυνο πυρκαγιάς εάν χρησιμοποιηθεί σε διαφορετική μπαταρία.
- Η μπαταρία παρέχεται μερικώς φορτισμένη. Για να αξιοποιήσετε την πλήρη χωρητικότητα της μπαταρίας, πρέπει να φορτίσετε την μπαταρία πλήρως με το φορτιστή προτού χρησιμοποιήσετε το ηλεκτρικό εργαλείο για πρώτη φορά.
- Να κρατάτε τις μπαταρίες μακριά από παιδιά.
- Μην ανοίγετε την μπαταρία. Υπάρχει κίνδυνος πρόκλησης βραχυκυκλώματος.
- Σε περίπτωση ζημιάς και ακατάλληλης χρήσης της μπαταρίας, ενδέχεται να εκλυθούν αναθυμιάσεις. Η μπαταρία μπορεί να πυρακτωθεί ή να εκραγεί. Βεβαιωθείτε ότι η περιοχή αερίζεται καλά και αναζητήστε ιατρική βοήθεια σε περίπτωση που αντιμετωπίσετε ανεπιθύμητες ενέργειες. Οι αναθυμιάσεις μπορεί να ερεθίσουν το αναπνευστικό σύστημα.
- Σε περίπτωση ακατάλληλης χρήσης ή ζημιάς της μπαταρίας, μπορεί να εκπιναχθεί εύφλεκτο υγρό από την μπαταρία. Η επαφή με αυτό το υγρό θα πρέπει να αποφεύγεται. Σε περίπτωση ακούσιας επαφής, ξεπλύνετε με νερό. Εάν το υγρό έρθει σε επαφή με τα μάτια σας, ζητήστε επιπλέον ιατρική βοήθεια. Το υγρό που εκτοξεύεται από την μπαταρία μπορεί να προκαλέσει ερεθισμό ή εγκαύματα.
- Εάν η μπαταρία έχει υποστεί ζημιά, μπορεί να εκπιναχθεί υγρό και να καλύψει τις κοντινές επιφάνειες. Ελέγξτε τα εξαρτήματα που επηρεάζονται. Καθαρίστε αυτά τα εξαρτήματα ή, εάν χρειάζεται, αντικαταστήστε τα.
- Μην βραχυκυκλώνετε την μπαταρία. Όταν δεν χρησιμοποιείτε την μπαταρία, πρέπει να την φυλάσσετε μακριά από άλλα μεταλλικά αντικείμενα, όπως συνδετήρες, νομίσματα, κλειδιά, καρφιά, βίδες ή άλλα μικρά μεταλλικά αντικείμενα, που μπορεί να προκαλέσουν ένωση των πόλων. Η βραχυκύκλωση των ακροδεκτών της μπαταρίας μεταξύ τους μπορεί να προκαλέσει εγκαύματα ή πυρκαγιά.
- Η μπαταρία μπορεί να υποστεί ζημιά από αιχμηρά αντικείμενα, όπως καρφιά ή καταβίδια ή με άσκηση δύναμης εξωτερικά. Ενδέχεται να προκύψει εσωτερικό βραχυκύκλωμα προκαλώντας καύση, καπνό, έκρηξη ή υπερθέρμανση της μπαταρίας.
- Μην εκτελείτε εργασίες σέρβις σε κατεστραμμένες μπαταρίες. Οι εργασίες σέρβις σε μπαταρίες θα πρέπει να εκτελούνται μόνο από τον κατασκευαστή ή από εξουσιοδοτημένα καταστήματα σέρβις.
- Προστατέψτε την μπαταρία από τη θερμότητα, π.χ. από το συνεχές έντονο ηλιακό φως, τη φωτιά, τη βρωμιά, το νερό και την υγρασία. Υπάρχει κίνδυνος έκρηξης και βραχυκυκλώματος.
- Η μπαταρία πρέπει να χρησιμοποιείται στο προϊόν μόνο όταν η θερμοκρασία περιβάλλοντος είναι μεταξύ $-5\text{ }^{\circ}\text{C}$ — $40\text{ }^{\circ}\text{C}$.

- Η μπαταρία πρέπει να αποθηκεύεται μόνο σε θερμοκρασίες περιβάλλοντος μεταξύ $-20\text{ }^{\circ}\text{C}$ — $50\text{ }^{\circ}\text{C}$. Για παράδειγμα, μην αφήνετε την μπαταρία μέσα στο αυτοκίνητό σας το καλοκαίρι. Σε θερμοκρασίες $< 0\text{ }^{\circ}\text{C}$, ορισμένες συσκευές μπορεί να αντιμετωπίσουν απώλεια ισχύος.
- Η μπαταρία πρέπει να φορτίζεται μόνο σε θερμοκρασίες περιβάλλοντος $0\text{ }^{\circ}\text{C}$ — $35\text{ }^{\circ}\text{C}$. Η φόρτιση εκτός αυτού του εύρους θερμοκρασίας μπορεί να αυξήσει τον κίνδυνο πρόκλησης ζημιάς στην μπαταρία και να προκαλέσει κίνδυνο πυρκαγιάς.

Ασφάλεια φορτιστή μπαταρίας



ΠΡΟΕΙΔΟΠΟΙΗΣΗ: Διαβάστε όλες τις οδηγίες ασφαλείας και τις γενικές οδηγίες. Η μη τήρηση των οδηγιών ασφαλείας και των γενικών οδηγιών μπορεί να προκαλέσει ηλεκτροπληξία, πυρκαγιά ή/και σοβαρό τραυματισμό. **Αποθηκεύστε αυτές τις οδηγίες σε ασφαλές μέρος.** Χρησιμοποιείτε τον φορτιστή μόνο εάν μπορείτε να αξιολογήσετε πλήρως όλες τις λειτουργίες και να τις εκτελέσετε χωρίς περιορισμούς ή εάν έχετε λάβει τις αντίστοιχες οδηγίες.

- Να επιβλέπετε τα παιδιά κατά τη διάρκεια της χρήσης, του καθαρισμού και της συντήρησης του προϊόντος. Έτσι θα βεβαιωθείτε ότι τα παιδιά δεν θα παίζουν με τον φορτιστή.
- Φορτίστε μόνο μπαταρίες ιόντων λιθίου του συστήματος POWER FOR ALL 18 V με χωρητικότητα 1,5 Ah ή μεγαλύτερη (τουλάχιστον 5 στοιχεία μπαταρίας). Η τάση μπαταρίας πρέπει να συμφωνεί με την τάση φόρτισης της μπαταρίας του φορτιστή. Μην φορτίζετε τις μη επαναφορτιζόμενες μπαταρίες. Διαφορετικά, υπάρχει κίνδυνος πυρκαγιάς και έκρηξης.
- Μην εκθέτετε τον φορτιστή σε συνθήκες βροχής ή υγρασίας. Σε περίπτωση εισχώρησης νερού σε ηλεκτρικό εργαλείο, αυξάνεται ο κίνδυνος ηλεκτροπληξίας.
- Να διατηρείτε τον φορτιστή καθαρό. Η βρωμιά μπορεί να προκαλέσει ηλεκτροπληξία.
- Να ελέγχετε πάντα τον φορτιστή, το καλώδιο και το βύσμα πριν από τη χρήση. Σταματήστε τη χρήση του φορτιστή εάν διαπιστώσετε οποιαδήποτε ζημιά. Μην ανοίγετε μόνοι σας το φορτιστή και αναθέστε την επισκευή του μόνο σε εξειδικευμένο τεχνικό χρησιμοποιώντας μόνο γνήσια ανταλλακτικά. Αν οι φορτιστές, τα καλώδια και τα βύσματα υποστούν ζημιά, αυξάνεται ο κίνδυνος ηλεκτροπληξίας.
- Μην χρησιμοποιείτε τον φορτιστή σε επιφάνειες που αναφλέγονται εύκολα (π.χ. χαρτί, υφάσματα κ.λπ.) ή σε εύφλεκτο περιβάλλον. Υπάρχει κίνδυνος πυρκαγιάς λόγω της θέρμανσης του φορτιστή κατά τη λειτουργία.
- Να επαναφορτίζετε μόνο με το φορτιστή που ορίζεται από τον κατασκευαστή. Ένας φορτιστής κατάλληλος

για έναν τύπο συστοιχίας μπαταριών μπορεί να δημιουργήσει κίνδυνο φωτιάς κατά τη χρήση με άλλη συστοιχία μπαταριών.

- **Σε περίπτωση ζημιάς και ακατάλληλης χρήσης της μπαταρίας, ενδέχεται επίσης να εκλυθούν αναθυμιάσεις.** Βεβαιωθείτε ότι η περιοχή αερίζεται καλά και αναζητήστε ιατρική βοήθεια σε περίπτωση που αντιμετωπίσετε ανεπιθύμητες ενέργειες. Οι αναθυμιάσεις μπορεί να ερεθίσουν το αναπνευστικό σύστημα.
- **Σε συνθήκες κακής χρήσης, μπορεί να εκτιναχθεί υγρό από τη μπαταρία. Η επαφή με αυτό το υγρό θα πρέπει να αποφεύγεται. Σε περίπτωση ακούσιας επαφής, ξεπλύνετε με νερό. Εάν το υγρό έρθει σε επαφή με τα μάτια σας, ζητήστε επιπλέον ιατρική βοήθεια.** Το υγρό που εκτοξεύεται από την μπαταρία μπορεί να προκαλέσει ερεθισμό ή εγκαυματα.
- **Μην καλύπτετε τις οπές εξαερισμού του φορτιστή.** Διαφορετικά, ο φορτιστής μπορεί να υπερθερμανθεί και να μην λειτουργεί πλέον σωστά.
- **Εάν το καλώδιο παροχής ρεύματος πρέπει να αντικατασταθεί, αυτό πρέπει να γίνει από τη Husqvarna ή από ένα κέντρο σέρβις που είναι εξουσιοδοτημένο να επισκευάζει ηλεκτρικά εργαλεία Husqvarna, προκειμένου να αποφευχθούν κίνδυνοι για την ασφάλεια.**
- **Προϊόντα που πωλούνται μόνο στο ΗΒ:** Το προϊόν σας διαθέτει εγκεκριμένο ηλεκτρικό βύσμα BS 1363/A με εσωτερική ασφάλεια (ASTA εγκεκριμένο κατά BS 1362). Αν το βύσμα δεν είναι κατάλληλο για τις πρίζες σας, θα πρέπει να κοπεί και να τοποθετηθεί στη θέση του ένα κατάλληλο βύσμα από έναν εξουσιοδοτημένο αντιπρόσωπο σέρβις. Το ανταλλακτικό βύσμα πρέπει να έχει ασφάλεια με την ίδια ονομαστική τιμή που έχει το εργοστασιακό βύσμα. Το κομμένο βύσμα πρέπει να απορρίπτεται για να αποφευχθεί ενδεχόμενος κίνδυνος ηλεκτροπληξίας και δεν πρέπει ποτέ να τοποθετείται σε πρίζα τούχου σε άλλο σημείο.



ΠΡΟΕΙΔΟΠΟΙΗΣΗ: Καρδιακή ανακοπή! Αυτό το προϊόν παράγει ηλεκτρομαγνητικό πεδίο κατά τη διάρκεια της λειτουργίας του. Το πεδίο αυτό, υπό ορισμένες συνθήκες, ενδέχεται να προκαλεί παρεμβολές σε ενεργά ή παθητικά ιατρικά εμφυτεύματα. Προκειμένου να μειωθεί ο κίνδυνος παθήσεων που

μπορεί να προκαλέσουν τραυματισμό ή θάνατο, συνιστούμε στα άτομα με ιατρικά εμφυτεύματα να συμβουλευτούν τον θεράποντα ιατρό τους και τον κατασκευαστή του ιατρικού εμφυτεύματος, πριν να θέσουν το προϊόν σε λειτουργία.



ΠΡΟΕΙΔΟΠΟΙΗΣΗ: Κίνδυνος ασφυξίας! Υπάρχει μεγάλος κίνδυνος κατάποσης μικρών εξαρτημάτων. Επίσης, υπάρχει κίνδυνος ασφυξίας νηπίων από την πλαστική σακούλα (polybag). Κρατήστε μακριά τα νήπια κατά τη συναρμολόγηση του προϊόντος.

Οδηγίες ασφαλείας για τη συντήρηση



ΠΡΟΕΙΔΟΠΟΙΗΣΗ: Προτού εκτελέσετε εργασίες συντήρησης στο προϊόν, διαβάστε τις παρακάτω προειδοποιητικές οδηγίες.

- Πρέπει να αφαιρείτε την μπαταρία προτού εκτελέσετε εργασίες συντήρησης, άλλους ελέγχους ή συναρμολόγηση του προϊόντος.
- Ο χειριστής πρέπει να εκτελεί μόνο τις εργασίες συντήρησης και σέρβις που υποδεικνύονται στο παρόν εγχειρίδιο χρήσης. Για πιο εκτεταμένες εργασίες συντήρησης και σέρβις, απευθυνθείτε στον τοπικό αντιπρόσωπο σέρβις.
- Μην καθαρίζετε την μπαταρία ή το φορτιστή μπαταρίας με νερό. Τα δραστικά απορρυπαντικά μπορεί να προκαλέσουν ζημιά στο πλαστικό.
- Εάν δεν κάνετε συντήρηση στο προϊόν, μειώνεται ο κύκλος ζωής του και αυξάνεται ο κίνδυνος ατυχημάτων.
- Απαιτείται ειδική εκπαίδευση για όλες τις εργασίες συντήρησης και επισκευής, ειδικά για τις διατάξεις ασφαλείας στο προϊόν. Αν δεν ολοκληρωθούν με επιτυχία όλοι οι έλεγχοι που περιγράφονται στο παρόν εγχειρίδιο χρήσης αφού κάνετε τη συντήρηση, απευθυνθείτε στον τοπικό αντιπρόσωπο σέρβις. Εγγυόμαστε ότι υπάρχει δυνατότητα επαγγελματικής επισκευής και σέρβις για το προϊόν σας.
- Χρησιμοποιείτε πάντα γνήσια ανταλλακτικά.

Συναρμολόγηση

Εισαγωγή



ΠΡΟΕΙΔΟΠΟΙΗΣΗ: Προτού συναρμολογήσετε το προϊόν, διαβάστε και κατανοήστε το κεφάλαιο για την ασφάλεια.

Στερέωση του προφυλακτήρα του χορτοκοπτικού

1. Τοποθετήστε τον προφυλακτήρα χορτοκοπτικού πάνω στο περιβλήμα του μοτέρ. (Εικ. 32)
2. Τοποθετήστε τις 2 βίδες μέσα από το περιβλήμα του μοτέρ και τον προφυλακτήρα του χορτοκοπτικού. (Εικ. 33)

- 3. Σφίξτε τις βίδες.

Συναρμολόγηση κεφαλής χορτοκοπτικού

1. Γυρίστε τον άξονα εξαγωγής μέχρι η οπή του δίσκου μετάδοσης να ευθυγραμμιστεί με την οπή στο περιβλήμα γραναζιών.
2. Τοποθετήστε το πολυεργαλείο στην οπή για να ασφαλίσετε τον άξονα.
3. Γυρίστε την κεφαλή χορτοκοπτικού προς τα δεξιά. (Εικ. 34)

Τοποθέτηση του προφυλακτήρα φυτών

1. Τοποθετήστε τον προφυλακτήρα φυτών στις οπές του περιβλήματος μοτέρ. (Εικ. 35)
2. Βεβαιωθείτε ότι ο προφυλακτήρας φυτών μπορεί να κινηθεί ελεύθερα προς τα εμπρός και προς τα πίσω. (Εικ. 36)

Τοποθέτηση του άγκιστρου στον τοίχο

- Τοποθετήστε το άγκιστρο σε εσωτερικό χώρο.

- Κρατήστε το άγκιστρο μακριά από το ηλιακό φως και σε θερμοκρασία περιβάλλοντος από -10 °C έως 70 °C.
- Τοποθετήστε το άγκιστρο σε γυψοσανίδα, ξύλο ή σιμεντένιο τοίχο.



ΠΡΟΣΟΧΗ: Βεβαιωθείτε ότι ο τοίχος μπορεί να αντέξει φορτία τουλάχιστον 30 kg.

- Τοποθετήστε το άγκιστρο στον τοίχο με 3 βίδες (Α). Αν χρειάζεται, χρησιμοποιήστε βύσματα τοίχου (Β). (Εικ. 37)



ΠΡΟΣΟΧΗ: Βεβαιωθείτε ότι οι βίδες είναι κατάλληλες για τον τύπο του τοίχου σας.

- Επικοινωνήστε με τον αντιπρόσωπο σέρβις της Husqvarna για πληροφορίες σχετικά με τα διαθέσιμα αξεσουάρ αποθήκευσης για το προϊόν σας.

Λειτουργία

Εισαγωγή



ΠΡΟΕΙΔΟΠΟΙΗΣΗ: Προτού χρησιμοποιήσετε το προϊόν, διαβάστε και κατανοήστε το κεφάλαιο για την ασφάλεια.

Προτού χρησιμοποιήσετε το προϊόν

- Εξετάστε την περιοχή εργασίας για να βεβαιωθείτε ότι γνωρίζετε τον τύπο του εδάφους. Εξετάστε την κλίση του εδάφους και ελέγξτε εάν υπάρχουν εμπόδια, όπως πέτρες, κλαδιά και χαντάκια.
- Πραγματοποιήστε γενική επιθεώρηση του προϊόντος.
- Πραγματοποιήστε τους ελέγχους ασφάλειας, συντήρησης και σέρβις που δίνονται σε αυτό το εγχειρίδιο.
- Ελέγξτε τον κινητήρα για ρύπους ή ρωγμές. Χρησιμοποιήστε μια βούρτσα για να καθαρίσετε τον κινητήρα από το γρασίδι και τα φύλλα. Χρησιμοποιήστε γάντια, όταν είναι απαραίτητο.
- Ελέγξτε την κεφαλή χορτοκοπτικού και τον προφυλακτήρα εξαρτήματος κοπής για φθορές ή ρωγμές. Αντικαταστήστε την κεφαλή χορτοκοπτικού και τον προφυλακτήρα παρεκκόμενου κοπής εάν έχουν χτυπηθεί ή έχουν ρωγμές.
- Βεβαιωθείτε ότι όλα τα παξιμάδια και οι βίδες είναι σφιγμένα.
- Βεβαιωθείτε ότι όλα τα καλύμματα, οι προφυλακτήρες, οι χειρολαβές και ο εξοπλισμός κοπής είναι σωστά συνδεδεμένα και δεν έχουν υποστεί ζημιά πριν την εκκίνηση του προϊόντος.

Μπαταρία



ΠΡΟΕΙΔΟΠΟΙΗΣΗ: Προτού χρησιμοποιήσετε την μπαταρία, πρέπει να διαβάσετε και να κατανοήσετε το κεφάλαιο σχετικά με την ασφάλεια. Πρέπει επίσης να διαβάσετε και να κατανοήσετε το εγχειρίδιο χρήσης για την μπαταρία και τον φορτιστή της μπαταρίας.

Διατηρείτε την μπαταρία και τον φορτιστή μπαταρίας στις σωστές θερμοκρασίες περιβάλλοντος.

	Θερμοκρασία περιβάλλοντος
Λειτουργία της μπαταρίας στο προϊόν	-5 °C — 40 °C
Φόρτιση μπαταρίας	0 °C — 35 °C

Φόρτιση της μπαταρίας

Φορτίστε την μπαταρία πριν από την πρώτη χρήση.

Περιεχόμενα Η μπαταρία δεν φορτίζεται εάν η θερμοκρασία της είναι πάνω από +35 °C.

1. Συνδέστε το καλώδιο ρεύματος του φορτιστή μπαταρίας σε γειωμένο δίκτυο.



ΠΡΟΣΟΧΗ: Βεβαιωθείτε ότι το δίκτυο έχει σωστή τάση και συχνότητα.

2. Τοποθετήστε την μπαταρία στο φορτιστή μπαταρίας. Η μπαταρία είναι συνδεδεμένη στον φορτιστή όταν η πράσινη λυχνία LED αναβοσβήνει. (Εικ. 38)
3. Η μπαταρία είναι πλήρως φορτισμένη όταν η πράσινη λυχνία LED στον φορτιστή είναι αναμμένη. Ο μέγιστος χρόνος φόρτισης της μπαταρίας δεν θα πρέπει να υπερβαίνει τις 24 ώρες.
4. Αποσυνδέστε τον φορτιστή μπαταρίας από την πρίζα.



ΠΡΟΣΟΧΗ: Μην τραβάτε το καλώδιο.

5. Αφαιρέστε την μπαταρία από το φορτιστή.

Λυχνία LED κατάστασης μπαταρίας στον φορτιστή μπαταρίας

Η κόκκινη λυχνία LED (A) και η πράσινη λυχνία LED (B) στον φορτιστή μπαταρίας υποδεικνύουν την κατάσταση της μπαταρίας. Ανατρέξτε στην ενότητα *Λυχνία LED κατάστασης μπαταρίας στο προϊόν στη σελίδα 122*.

(Εικ. 39)

Λυχνία LED	Κατάσταση μπαταρίας
Η πράσινη λυχνία LED αναβοσβήνει γρήγορα.	Η μπαταρία φορτίζεται.
Η πράσινη λυχνία LED αναβοσβήνει αργά.	Η μπαταρία είναι φορτισμένη κατά 80%.
Η πράσινη λυχνία LED είναι αναμμένη.	Η μπαταρία είναι πλήρως φορτισμένη.
Η κόκκινη λυχνία LED είναι αναμμένη.	Ανατρέξτε στην ενότητα <i>Λυχνία LED κατάστασης μπαταρίας στο προϊόν στη σελίδα 122</i> .
Η κόκκινη λυχνία LED αναβοσβήνει γρήγορα.	Ανατρέξτε στην ενότητα <i>Λυχνία LED κατάστασης μπαταρίας στο προϊόν στη σελίδα 122</i> .

Λυχνία LED κατάστασης μπαταρίας στο προϊόν

Όταν η μπαταρία είναι τοποθετημένη στο προϊόν, οι λυχνίες LED στο προϊόν υποδεικνύουν την κατάσταση της μπαταρίας.

(Εικ. 40)

Λυχνία LED	Κατάσταση μπαταρίας
Οι λυχνίες LED 1, 2 και 3 είναι αναμμένες.	Πλήρως φορτισμένη.
Οι λυχνίες LED 1 και 2 είναι αναμμένες.	Επαρκώς φορτισμένη
Η λυχνία LED 1 είναι αναμμένη.	Η στάθμη ισχύος της μπαταρίας είναι χαμηλή.
Η λυχνία LED 1 αναβοσβήνει.	Η μπαταρία είναι άδεια. Η λυχνία κατάστασης της μπαταρίας αναβοσβήνει. Φορτίστε την μπαταρία. Ανατρέξτε στην ενότητα <i>Φόρτιση της μπαταρίας στη σελίδα 121</i> .

Σύνδεση της μπαταρίας στο προϊόν



ΠΡΟΕΙΔΟΠΟΙΗΣΗ: Να χρησιμοποιείτε την μπαταρία μόνο με προϊόντα του συστήματος POWER FOR ALL 18 V.

1. Βεβαιωθείτε ότι η μπαταρία είναι πλήρως φορτισμένη.
2. Σύρετε την μπαταρία μέσα στη θήκη της στο προϊόν. Η μπαταρία πρέπει να ολισθαίνει εύκολα μέσα στη θήκη της. Διαφορετικά, δεν έχει τοποθετηθεί σωστά.

(Εικ. 41)

3. Όταν η μπαταρία ασφαλίξει στη θέση της, ακούγεται ένα χαρακτηριστικό "κλικ".

Εκκίνηση του προϊόντος

1. Πατήστε παρατεταμένα το κουμπί ON/OFF μέχρι να ανάψει η πράσινη λυχνία LED. (Εικ. 42)
2. Πατήστε την ασφάλεια της σκανδάλης γκαζιού και τη σκανδάλη γκαζιού. Ο εξοπλισμός κοπής αρχίζει να περιστρέφεται.

Ρύθμιση της λαβής τύπου βρόγχου και του τηλεσκοπικού άξονα

1. Πατήστε το κουμπί ρύθμισης της λαβής τύπου βρόγχου.

(Εικ. 43)

2. Ρυθμίστε τη λαβή τύπου βρόγχου στην κατάλληλη γωνία.
3. Αφήστε το κουμπί ρύθμισης της λαβής τύπου βρόγχου.
4. Χαλαρώστε το μοχλό στον άξονα. (Εικ. 44)

5. Ρυθμίστε το απαραίτητο μήκος στον άξονα.
6. Κλείστε το μοχλό και σφίξτε τη βίδα.

Περιεχόμενα Οι δύο θέσεις της λαβής τύπου βρόγχου στην παρακάτω εικόνα προορίζονται μόνο για σκοπούς μεταφοράς ή/και αποθήκευσης.

(Εικ. 45)

Λειτουργία αυτόματης απενεργοποίησης

Το προϊόν διαθέτει λειτουργία αυτόματης απενεργοποίησης με την οποία το προϊόν σταματά να λειτουργεί όταν δεν χρησιμοποιείται. Το προϊόν απενεργοποιείται μετά από 3 minutes.

Λειτουργία του προϊόντος

Ξάκρισμα του γρασιδιού

1. Κρατήστε την κεφαλή χορτοκοπτικού ακριβώς πάνω από το έδαφος, υπό γωνία. Μην πιέζετε τη μεσινέζα του χορτοκοπτικού στο γρασίδι. (Εικ. 46)
2. Μειώστε το μήκος της μεσινέζας του χορτοκοπτικού κατά 8-10 cm/3,15-4 in.

Καθαρισμός του χόρτου

1. Διατηρήστε την κεφαλή του χορτοκοπτικού επάνω από το έδαφος.
2. Γείρετε την κεφαλή του χορτοκοπτικού.
3. Κόψτε με το άκρο της μεσινέζας χορτοκοπτικού γύρω από αντικείμενα στο χώρο εργασίας.



ΠΡΟΣΟΧΗ: Κόψτε χόρτο. Η φθορά της μεσινέζας χορτοκοπτικού αυξάνεται με το κτύπημα άλλων αντικειμένων.

Κοπή γρασιδιού

1. Βεβαιωθείτε ότι η μεσινέζα του χορτοκοπτικού είναι παράλληλη προς το έδαφος κατά τη διάρκεια της κοπής του γρασιδιού. (Εικ. 47)

2. Μην πιέζετε την κεφαλή χορτοκοπτικού στο έδαφος. Μπορεί να προκληθεί ζημιά στο προϊόν.
3. Όταν κόβετε γρασίδι, πρέπει να μετακινείτε το προϊόν από τη μία πλευρά στην άλλη. (Εικ. 48)

Καθαρισμός του χόρτου

Η ροή αέρα από την περιστρεφόμενη μεσινέζα χορτοκοπτικού μπορεί να χρησιμοποιηθεί για να αφαιρέτε τα κομμένα χόρτα από μια περιοχή.

1. Κρατήστε την κεφαλή και τη μεσινέζα του χορτοκοπτικού παράλληλα και πάνω από το έδαφος.
2. Μετακινήστε την κεφαλή του χορτοκοπτικού από τη μία πλευρά στην άλλη και καθαρίστε το χόρτο.



ΠΡΟΕΙΔΟΠΟΙΗΣΗ: Να καθαρίζετε το κάλυμμα της κεφαλής χορτοκοπτικού κάθε φορά που συναρμολογείτε τη νέα μεσινέζα χορτοκοπτικού, ώστε να αποφύγετε τυχόν ανισορροπία και δονήσεις στις λαβές. Επίσης, να ελέγχετε και τα άλλα τμήματα της κεφαλής χορτοκοπτικού και να την καθαρίζετε, εάν είναι απαραίτητο.

Διακοπή λειτουργίας του προϊόντος

1. Απελευθερώστε τη σκανδάλη γκαζιού και την ασφάλεια της σκανδάλης γκαζιού.
2. Πατήστε το κουμπί ON/OFF μέχρι να σβήσει η πράσινη λυχνία LED.
3. Πατήστε το κουμπί απασφάλισης της μπαταρίας και αφαιρέστε την μπαταρία από το προϊόν. (Εικ. 49)

Αντικατάσταση μεσινέζας χορτοκοπτικού

Ανατρέξτε στην τελευταία σελίδα του παρόντος εγχειριδίου χρήσης.

Συντήρηση

Εισαγωγή



ΠΡΟΕΙΔΟΠΟΙΗΣΗ: Προτού εκτελέσετε εργασίες συντήρησης στο προϊόν, διαβάστε και κατανοήστε το κεφάλαιο για την ασφάλεια.

Πρόγραμμα συντήρησης



ΠΡΟΕΙΔΟΠΟΙΗΣΗ: Προτού εκτελέσετε εργασίες συντήρησης, πρέπει να αφαιρέτε την μπαταρία.

Ακολουθεί μια λίστα με τα βήματα συντήρησης που πρέπει να εκτελείτε στο προϊόν. Ανατρέξτε στην ενότητα *Συντήρηση στη σελίδα 123* για περαιτέρω πληροφορίες.

Συντήρηση	Καθημερι νά	Κάθε εβδομάδ α	Κάθε μήνα
Καθαρίστε τα εξωτερικά μέρη του προϊόντος με στεγνό πανί. Μην χρησιμοποιείτε νερό.	X		
Ελέγξτε ότι το κουμπί εκκίνησης/διακοπής λειτουργίας λειτουργεί σωστά και δεν έχει υποστεί ζημιά.	X		
Βεβαιωθείτε ότι η σκανδάλη γκαζιού και η λειτουργία κλειδώματος της σκανδάλης γκαζιού λειτουργούν σωστά από πλευράς ασφάλειας.	X		
Βεβαιωθείτε ότι όλα τα χειριστήρια λειτουργούν και δεν έχουν υποστεί ζημιά.	X		
Διατηρήστε τις χειρολαβές στεγνές, καθαρές και χωρίς λάδια ή γράσο.	X		
Βεβαιωθείτε ότι το παρελκόμενο κοπής δεν έχει υποστεί ζημιά. Αντικαταστήστε το παρελκόμενο κοπής εάν έχει υποστεί ζημιά.	X		
Βεβαιωθείτε ότι ο προφυλακτήρας του παρελκόμενου κοπής δεν έχει υποστεί ζημιά. Αντικαταστήστε τον προφυλακτήρα του παρελκόμενου κοπής, αν έχει υποστεί ζημιά.	X		
Βεβαιωθείτε ότι οι βίδες και τα παξιμάδια είναι σφιγμένα.	X		
Βεβαιωθείτε ότι τα κουμπιά απασφάλισης στην μπαταρία λειτουργούν και ασφαλίζουν την μπαταρία στο προϊόν.	X		
Βεβαιωθείτε ότι ο φορτιστής μπαταρίας δεν έχει υποστεί ζημιά και ότι λειτουργεί σωστά.	X		
Βεβαιωθείτε ότι η μπαταρία δεν έχει υποστεί ζημιά.	X		
Βεβαιωθείτε ότι η μπαταρία είναι φορτισμένη.	X		
Βεβαιωθείτε ότι ο φορτιστής μπαταρίας δεν έχει υποστεί ζημιά.	X		
Εξετάστε όλα τα καλώδια, τους συνδέσμους και τις συνδέσεις. Βεβαιωθείτε ότι δεν έχουν υποστεί ζημιά και ότι είναι καθαρά.		X	
Ελέγξτε τις συνδέσεις μεταξύ της μπαταρίας και του προϊόντος. Ελέγξτε τη σύνδεση μεταξύ της μπαταρίας και του φορτιστή μπαταρίας.			X

Για να ελέγξετε την μπαταρία και το φορτιστή μπαταρίας

1. Ελέγξτε την μπαταρία για ζημιές, για παράδειγμα ρωγμές.
2. Ελέγξτε τον φορτιστή της μπαταρίας για ζημιές, για παράδειγμα ρωγμές.
3. Βεβαιωθείτε ότι το καλώδιο σύνδεσης του φορτιστή της μπαταρίας δεν έχει υποστεί ζημιά και ότι δεν παρουσιάζει ρωγμές.

Για να καθαρίσετε το προϊόν, την μπαταρία και το φορτιστή της μπαταρίας

1. Πρέπει να καθαρίζετε το προϊόν με στεγνό πανί μετά από κάθε χρήση.

2. Καθαρίστε την μπαταρία και τον φορτιστή της μπαταρίας με ένα στεγνό πανί. Διατηρήστε τις ράβδους οδήγησης της μπαταρίας καθαρές.
3. Βεβαιωθείτε ότι οι πόλοι της μπαταρίας και οι ακροδέκτες του φορτιστή της μπαταρίας είναι καθαροί προτού τοποθετήσετε την μπαταρία μέσα στο φορτιστή ή στο προϊόν.

Έλεγχος και αντικατάσταση της κεφαλής χορτοκοπτικού

1. Ελέγξτε την κεφαλή χορτοκοπτικού για ζημιές και ρωγμές.
2. Γυρίστε τον άξονα εξαγωγής μέχρι η οπή του δίσκου μετάδοσης να ευθυγραμμιστεί με την οπή στο περίβλημα γραναζιών.
3. Τοποθετήστε το πολυεργαλείο στην οπή για να ασφαλίσετε τον άξονα.

4. Γυρίστε την κεφαλή χορτοκοπτικού προς τα αριστερά.

(Εικ. 50)

5. Επανατοποθετήστε την κεφαλή του χορτοκοπτικού.

6. Συναρμολογήστε την κεφαλή του χορτοκοπτικού. Ανατρέξτε στην ενότητα *Συναρμολόγηση κεφαλής χορτοκοπτικού στη σελίδα 121.*

Αντιμετώπιση προβλημάτων

Στοιχεία αλληλεπίδρασης με τον χρήστη

Πρόβλημα	Πιθανά σφάλματα	Πιθανή λύση
Η πράσινη λυχνία LED εκκίνησης αναβοσβήνει.	Χαμηλή τάση μπαταρίας.	Φορτίστε την μπαταρία.
Η κόκκινη λυχνία LED σφάλματος αναβοσβήνει.	Υπερφόρτωση.	Το εξάρτημα κοπής δεν μπορεί να μετακινηθεί ελεύθερα. Απελευθερώστε το εξάρτημα κοπής.
	Απόκλιση θερμοκρασίας.	Αφήστε το προϊόν να κρυώσει.
	Η σκανδάλη γκαζιού και το κουμπί εκκίνησης πατήθηκαν ταυτόχρονα.	Απελευθερώστε τη σκανδάλη γκαζιού και πατήστε το κουμπί START.
Η πράσινη λυχνία LED και η κόκκινη λυχνία LED αναβοσβήνουν εναλλάξ.	Η μπαταρία είναι άδεια.	Φορτίστε την μπαταρία.
	Η μπαταρία έχει υποστεί ζημιά.	Απευθυνθείτε στον αντιπρόσωπο σέρβις.

Φορτιστής μπαταρίας

Λυχνία LED στον φορτιστή της μπαταρίας	Αιτία	Λύση
Η πράσινη λυχνία LED είναι αναμμένη και η κόκκινη λυχνία LED αναβοσβήνει.	Η μπαταρία δεν έχει τοποθετηθεί σωστά στον φορτιστή μπαταρίας.	Αφαιρέστε την μπαταρία από τον φορτιστή και, στη συνέχεια, επανατοποθετήστε την.
	Οι σύνδεσμοι μπαταρίας είναι βρώμικοι.	Καθαρίστε τους συνδέσμους της μπαταρίας.
	Η θερμοκρασία περιβάλλοντος είναι υπερβολικά υψηλή ή υπερβολικά χαμηλή.	Ο φορτιστής της μπαταρίας πρέπει να χρησιμοποιείται σε θερμοκρασίες μεταξύ 0 °C – +35 °C.
	Η μπαταρία είναι ελαττωματική.	Αντικαταστήστε την μπαταρία.

Λυχνία LED στον φορτιστή της μπαταρίας	Αιτία	Λύση
Η πράσινη λυχνία LED και η κόκκινη λυχνία LED είναι σβηστές.	Ο φορτιστής μπαταρίας δεν είναι σωστά συνδεδεμένος στην πρίζα.	Συνδέστε τον φορτιστή μπαταρίας σε μια πρίζα ρεύματος.
	Ελαττωματική πρίζα.	Συνδέστε τον φορτιστή μπαταρίας σύμφωνα με την τάση και τη συχνότητα που προδιαγράφονται στην πινακίδα στοιχείων.
	Το καλώδιο του φορτιστή μπαταρίας είναι ελαττωματικό.	Επικοινωνήστε με έναν εγκεκριμένο αντιπρόσωπο σέρβις.
	Ο φορτιστής μπαταρίας είναι ελαττωματικός.	
Άλλα σφάλματα.	Εάν προκύψουν άλλα σφάλματα, βεβαιωθείτε ότι το προϊόν είναι απενεργοποιημένο, αφαιρέστε την μπαταρία και απευθυνθείτε σε έναν εγκεκριμένο αντιπρόσωπο σέρβις.	

Μεταφορά, αποθήκευση και απόρριψη

Μεταφορά και αποθήκευση

- Οι παρεχόμενες μπαταρίες ιόντων λιθίου πληρούν όλες τις απαιτήσεις της νομοθεσίας περί επικίνδυνων εμπορευμάτων.
- Πρέπει να τηρείτε τις ειδικές απαιτήσεις που αναγράφονται στη συσκευασία και στις ετικέτες σχετικά με την εμπορική μεταφορά. Οι απαιτήσεις αυτές πρέπει επίσης να τηρούνται από οποιοσδήποτε τρίτους και από τους διαμετακομιστές.
- Απευθυνθείτε σε ένα άτομο ειδικά εκπαιδευμένο στα επικίνδυνα υλικά προτού στείλετε το προϊόν. Να τηρείτε όλους τους ισχύοντες εθνικούς κανονισμούς.
- Αν συσκευάσετε την μπαταρία, χρησιμοποιήστε ταινία πάνω στις ακάλυπτες επαφές. Σφηνώστε την μπαταρία μέσα στο πακέτο, ώστε να μην μπορεί να μετακινηθεί.
- Κατά τη φύλαξη ή τη μεταφορά του προϊόντος πρέπει πάντα να αφαιρείτε την μπαταρία.
- Τοποθετήστε την μπαταρία και τον φορτιστή της μπαταρίας σε χώρο στεγνό και προστατευμένο από την υγρασία και τον παγετό.
- Μην αποθηκεύετε την μπαταρία σε χώρους όπου ενδέχεται να προκληθεί στατικός ηλεκτρισμός. Μην αποθηκεύετε την μπαταρία σε μεταλλικό κουτί.
- Να φυλάσσετε την μπαταρία σε χώρους με θερμοκρασία μεταξύ $-20\text{ }^{\circ}\text{C}/-4\text{ }^{\circ}\text{F}$ και $+50\text{ }^{\circ}\text{C}/122\text{ }^{\circ}\text{F}$ και μακριά από την άμεση έκθεση σε ηλιακό φως.
- Να φυλάσσετε το φορτιστή της μπαταρίας σε χώρους με θερμοκρασία μεταξύ $5\text{ }^{\circ}\text{C}/41\text{ }^{\circ}\text{F}$ και $45\text{ }^{\circ}\text{C}/113\text{ }^{\circ}\text{F}$ και μακριά από το άμεσο ηλιακό φως.
- Να φυλάσσετε το προϊόν σε χώρους με θερμοκρασία μεταξύ $-40\text{ }^{\circ}\text{C}/-40\text{ }^{\circ}\text{F}$ και $+60\text{ }^{\circ}\text{C}/140\text{ }^{\circ}\text{F}$.
- Ο φορτιστής της μπαταρίας πρέπει να χρησιμοποιείται μόνο όταν η θερμοκρασία

περιβάλλοντος είναι μεταξύ $0\text{ }^{\circ}\text{C}/32\text{ }^{\circ}\text{F}$ και $35\text{ }^{\circ}\text{C}/95\text{ }^{\circ}\text{F}$.

- Φορτίστε την μπαταρία κατά 30% έως 50% προτού την φυλάξετε για μεγάλο χρονικό διάστημα.
 - Να φυλάσσετε το φορτιστή της μπαταρίας σε χώρο κλειστό και χωρίς υγρασία.
 - Μην φυλάσσετε την μπαταρία μαζί με τον φορτιστή. Μην επιτρέψετε να αγγίζουν τον εξοπλισμό παιδιά και άλλα μη εξουσιοδοτημένα άτομα. Να διατηρείτε τον εξοπλισμό σε χώρο που μπορείτε να κλειδώσετε.
 - Προτού φυλάξετε το προϊόν για μεγάλο χρονικό διάστημα, πρέπει να το καθαρίζετε και να εκτελείτε πλήρες σέρβις.
 - Για να αποφύγετε τραυματισμούς ή ζημιές στο προϊόν κατά τη μεταφορά και τη φύλαξη, χρησιμοποιήστε το προστατευτικό μεταφοράς.
 - Κατά τη μεταφορά, πρέπει να στερεώνετε καλά το προϊόν.
 - Αποθηκεύστε το προϊόν σε οριζόντια θέση ή κρεμάστε το από το παρεχόμενο άγκιστρο. Ανατρέξτε στην ενότητα *Τοποθέτηση του άγκιστρου στον τοίχο στη σελίδα 121*.
- (Εικ. 51)

Απόρριψη της μπαταρίας, του φορτιστή μπαταρίας και του προϊόντος

Το παρακάτω σύμβολο σημαίνει ότι το προϊόν δεν είναι οικιακό απόρριμμα. Ανακυκλώστε το σε κέντρο ανακύκλωσης ηλεκτρικού και ηλεκτρονικού εξοπλισμού.

Με αυτόν τον τρόπο συμβάλλετε στην προστασία του περιβάλλοντος και των ανθρώπων.

Για περισσότερες πληροφορίες, απευθυνθείτε στις τοπικές αρχές, στην υπηρεσία αποκομιδής οικιακών απορριμμάτων ή στον αντιπρόσωπο.

(Εικ. 18)

Περιεχόμενα Αυτό το σύμβολο υπάρχει πάνω στο προϊόν ή στη συσκευασία του προϊόντος.

Τεχνικά στοιχεία

Τεχνικά στοιχεία

	Aspire T28-P4A
Μοτέρ	
Τύπος μοτέρ	PMDC
Ταχύτητα άξονα εξόδου, σ.α.λ	6800
Πλάτος κοπής, mm	280
Βάρος	
Βάρος χωρίς μπαταρία, kg	2,6
Βάρος με μπαταρία (P4A 18-B45 / P4A 18-B70), kg	3,0 / 3,3
Εκπομπές θορύβου ¹⁶	
Στάθμη ηχητικής ισχύος, μετρούμενη τιμή σε dB (A)	85
Στάθμη ηχητικής ισχύος, εγγυημένη L _{WA} dB (A)	88
Επίπεδα θορύβου ¹⁷	
Ισοδύναμη στάθμη ηχητικής πίεσης στα αυτιά του χειριστή, μετρημένη κατά EN ISO 50636-2-91, dB (A)	73
Στάθμες κραδασμών ¹⁸	
Επίπεδα δονήσεων στις λαβές, μετρημένα κατά EN50636-2-91, m/s ²	2,26/1,61
Διαθέτει κεφαλή χορτοκοπτικού (γνήσια), εμπρός/πίσω.	

Μπαταρία	P4A 18-B45	P4A 18-B72
Τύπος	Ιόντων λιθίου	Ιόντων λιθίου
Χωρητικότητα μπαταρίας, Ah	Ανατρέξτε στο σήμα ονομαστικών τιμών της μπαταρίας	Ανατρέξτε στο σήμα ονομαστικών τιμών της μπαταρίας
Ονομαστική τάση, V	18	18

¹⁶ Οι εκπομπές θορύβου στο περιβάλλον μετρούνται ως ηχητική ισχύς (L_{WA}) σε συμμόρφωση με την Οδηγία 2000/14/ΕΚ. Η διαφορά μεταξύ της εγγυημένης και της μετρούμενης ηχητικής ισχύος είναι ότι η εγγυημένη ηχητική ισχύς περιλαμβάνει επίσης τη διασπορά στο αποτέλεσμα της μέτρησης και τις αποκλίσεις μεταξύ των διαφορετικών προϊόντων του ίδιου μοντέλου σύμφωνα με την Οδηγία 2000/14/ΕΚ.

¹⁷ Τα καταγεγραμμένα στοιχεία για την αντίστοιχη στάθμη ηχητικής πίεσης του προϊόντος έχουν μια τυπική στατιστική διασπορά (τυπική απόκλιση) ίση με 3 dB (A).

¹⁸ Τα καταγεγραμμένα στοιχεία για τη στάθμη κραδασμών έχουν τυπική στατιστική διασπορά (τυπική απόκλιση) ίση με 1,5 m/s².

Μπαταρία	P4A 18-B45	P4A 18-B72
Βάρος, κιλά	0,4	0,7

Φορπιστής μπαταρίας	P4A 18-C70
Τάση δικτύου παροχής, V	220-240
Συχνότητα, Hz	50-60
Ισχύς, W	70
Τάση εξόδου, V d.c./ Amp, A	14,4-18 / 3

Αξεσουάρ

Εγκεκριμένα αξεσουάρ

Εγκεκριμένα αξεσουάρ	Τύπος	Προφυλακτήρας εξαρτήματος κοπής, κωδ. προϊόντος
Κεφαλή χορτοκοπτικού	A15B M5 (καλώδιο Ø 1,6 mm)	536 47 32-01

Δήλωση Συμμόρφωσης

Δήλωση συμμόρφωσης ΕΕ

Εμείς, η **Husqvarna AB**, SE-561 82 Huskvarna, Σουηδία,
τηλ.: +46-36-146500, δηλώνουμε με αποκλειστική μας
ευθύνη ότι το προϊόν:

Περιγραφή	Χορτοκοπτικό με μπαταρία
Μάρκα	Husqvarna
Τύπος / Μοντέλο	Aspire T28-P4A
Αναγνώριση	Αριθμοί σειράς με ημερομηνία από το 2023 και έπειτα

συμμορφώνεται πλήρως με τις ακόλουθες οδηγίες και
τους κανονισμούς της ΕΕ:

Οδηγία/Κανονισμός	Περιγραφή
2006/42/EK	"σχετικά με τα μηχανήματα"
2014/30/EE	"σχετικά με την ηλεκτρομαγνητική συμβατότητα"
2000/14/EK	"σχετικά με τις εκπομπές θορύβου στο περιβάλλον"
2011/65/EE	"σχετικά με τον περιορισμό της χρήσης ορισμένων επικίνδυνων ουσιών σε είδη ηλεκτρικού και ηλεκτρονικού εξοπλισμού"

και ότι εφαρμόζονται τα παρακάτω πρότυπα ή/και
τεχνικές προδιαγραφές: EN 60335-1:2012/A15:2021,
EN 50636-2-91:2014, EN IEC 63000:2018, EN IEC
55014-1:2021; EN IEC 55014-2:2021.

Κοινοποιημένος φορέας: O 0158 DEKRA Testing
and Certification GmbH, Handwerkstraße 15, 70565
Stuttgart, Germany έχει πιστοποιήσει τη συμμόρφωση
με την οδηγία 2000/14/EK του Συμβουλίου, διαδικασία
αξιολόγησης συμμόρφωσης: Παράρτημα VI.

Για πληροφορίες σχετικά με τις εκπομπές θορύβου,
ανατρέξτε στην ενότητα *Τεχνικά στοιχεία στη σελίδα 127*.

Huskvarna, 2023-12-14



Claes Losdal, Διευθυντής Έρευνας και Ανάπτυξης
Husqvarna AB

Υπεύθυνος για την τεχνική τεκμηρίωση



Άδειες

Copyright © 2012–2020 STMicroelectronics

Η παρούσα εγγύηση δεν καλύπτει ελαττώματα που είναι αποτέλεσμα φυσιολογικής φθοράς, αμέλειας, ελαττωματικής χρήσης, μη εξουσιοδοτημένης επισκευής ή εάν η συσκευή αναρρόφησης είναι συνδεδεμένη σε λανθασμένη τάση.

Με την επιφύλαξη παντός δικαιώματος.

Η αναδιανομή και η χρήση σε πηγαία και διαδική μορφή, με ή χωρίς τροποποίηση, επιτρέπονται εάν πληρούνται οι ακόλουθες προϋποθέσεις:

- Στις αναδιανομές του πηγαίου κώδικα πρέπει να διατηρείται η παραπάνω σημείωση περί πνευματικών δικαιωμάτων, η παρούσα λίστα προϋποθέσεων και η ακόλουθη αποποίηση ευθυνών.
- Στις αναδιανομές σε δυαδική μορφή πρέπει να υπάρχει αντίγραφο της παραπάνω σημείωσης περί πνευματικών δικαιωμάτων, της παρούσας λίστας προϋποθέσεων και της ακόλουθης αποποίησης ευθυνών στα έγγραφα τεκμηρίωσης ή/και σε οποιοδήποτε άλλο υλικό παρέχεται μαζί με τη διανομή.
- Δεν επιτρέπεται η χρήση του ονόματος της STMicroelectronics και των άλλων συντελεστών για την προσυπογραφή ή προώθηση προϊόντων που προκύπτουν από τον παρόν λογισμικό χωρίς προηγούμενη γραπτή άδεια.

ΤΟ ΠΑΡΟΝ ΛΟΓΙΣΜΙΚΟ ΠΑΡΕΧΕΤΑΙ ΑΠΟ ΤΟΥΣ ΚΑΤΟΧΟΥΣ ΤΩΝ ΠΝΕΥΜΑΤΙΚΩΝ ΔΙΚΑΙΩΜΑΤΩΝ ΚΑΙ ΤΟΥΣ ΑΛΛΟΥΣ ΣΥΝΤΕΛΕΣΤΕΣ "ΩΣ ΕΧΕΙ" ΚΑΙ ΑΠΟΠΟΙΟΥΜΕΘΑ ΟΠΟΙΑΔΗΠΟΤΕ ΡΗΤΗ Η ΣΙΩΠΗΡΗ ΕΓΓΥΗΣΗ, ΣΥΜΠΕΡΙΛΑΜΒΑΝΟΜΕΝΩΝ, ΕΝΔΕΙΚΤΙΚΑ, ΤΩΝ ΣΙΩΠΗΡΩΝ ΕΓΓΥΗΣΕΩΝ ΕΜΠΟΡΕΥΣΙΜΟΤΗΤΑΣ ΚΑΙ ΚΑΤΑΛΛΗΛΟΤΗΤΑΣ ΓΙΑ ΣΥΓΚΕΚΡΙΜΕΝΟ ΣΚΟΠΟ. ΣΕ ΚΑΜΙΑ ΠΕΡΙΠΤΩΣΗ Ο ΚΑΤΟΧΟΣ ΤΩΝ ΠΝΕΥΜΑΤΙΚΩΝ ΔΙΚΑΙΩΜΑΤΩΝ Η ΟΙ ΑΛΛΟΙ ΣΥΝΤΕΛΕΣΤΕΣ ΔΕΝ ΘΑ ΕΙΝΑΙ ΥΠΕΥΘΥΝΟΙ ΓΙΑ ΟΠΟΙΑΔΗΠΟΤΕ ΑΜΕΣΗ, ΕΜΜΕΣΗ, ΣΥΜΠΤΩΜΑΤΙΚΗ, ΕΙΔΙΚΗ, ΠΑΡΑΔΕΙΓΜΑΤΙΚΗ Ή ΕΠΑΚΟΛΟΥΘΗ ΖΗΜΙΑ (ΣΥΜΠΕΡΙΛΑΜΒΑΝΟΜΕΝΩΝ, ΜΕΤΑΞΥ ΑΛΛΩΝ, ΤΗΣ ΠΡΟΜΗΘΕΙΑΣ ΥΠΟΚΑΤΑΣΤΑΤΩΝ ΑΓΑΘΩΝ Ή ΥΠΗΡΕΣΙΩΝ, ΤΗΣ ΑΠΩΛΕΙΑΣ ΧΡΗΣΗΣ, ΔΕΔΟΜΕΝΩΝ Ή ΚΕΡΔΩΝ Η ΤΗΣ ΔΙΑΚΟΠΗΣ ΤΩΝ ΕΠΙΧΕΙΡΗΜΑΤΙΚΩΝ ΔΡΑΣΤΗΡΙΟΤΗΤΩΝ), ΑΝΕΞΑΡΤΗΤΑ ΑΠΟ ΤΟΝ ΤΡΟΠΟ ΠΟΥ ΠΡΟΚΛΗΘΗΚΕ ΚΑΙ ΑΠΟ ΟΠΟΙΑΔΗΠΟΤΕ ΘΕΩΡΙΑ ΕΥΘΥΝΗΣ, ΕΙΤΕ ΒΑΣΕΙ ΣΥΜΒΑΣΗΣ ΕΙΤΕ ΒΑΣΕΙ ΑΝΤΙΚΕΙΜΕΝΙΚΗΣ ΕΥΘΥΝΗΣ Ή ΛΟΓΩ ΑΔΙΚΟΠΡΑΞΙΑΣ (ΣΥΜΠΕΡΙΛΑΜΒΑΝΟΜΕΝΗΣ ΤΗΣ ΑΜΕΛΕΙΑΣ Ή ΑΛΛΩΣ) ΠΟΥ ΠΡΟΚΥΠΤΕΙ ΚΑΤΑ ΟΠΟΙΟΝΔΗΠΟΤΕ ΤΡΟΠΟ ΑΠΟ ΤΗ ΧΡΗΣΗ ΤΟΥ ΠΑΡΟΝΤΟΣ ΛΟΓΙΣΜΙΚΟΥ, ΑΚΟΜΑ ΚΙ ΑΝ ΕΧΕΙ ΕΝΗΜΕΡΩΘΕΙ ΓΙΑ ΤΗΝ ΠΙΘΑΝΟΤΗΤΑ ΠΡΟΚΛΗΣΗΣ ΤΕΤΟΙΩΝ ΖΗΜΙΩΝ.

Άδεια χρήσης Apache 2.0

Copyright © 2009–2019 Arm Limited. Με την επιφύλαξη παντός δικαιώματος.

Έκδοση 2.0, Ιανουάριος 2004, <http://www.apache.org/licenses/>

ΟΡΟΙ ΚΑΙ ΠΡΟΫΠΟΘΕΣΕΙΣ ΧΡΗΣΗΣ,
ΑΝΑΠΑΡΑΓΩΓΗΣ ΚΑΙ ΔΙΑΝΟΜΗΣ

1. Ορισμοί.

Ως **"Άδεια χρήσης"** νοούνται οι όροι και οι προϋποθέσεις χρήσης, αναπαραγωγής και διανομής, όπως ορίζονται στις ενότητες 1 έως 9 του παρόντος εγγράφου.

Ως **"Χορηγός της άδειας χρήσης"** νοείται ο κάτοχος των πνευματικών δικαιωμάτων ή ο φορέας που έχει εξουσιοδοτηθεί από τον κάτοχο των πνευματικών δικαιωμάτων για τη χορήγηση της άδειας χρήσης. Ως **"Νομική οντότητα"** νοείται η ένωση της ενεργούσας οντότητας και όλων των άλλων οντοτήτων που ελέγχουν, ελέγχονται ή τελούν υπό κοινό έλεγχο με την εν λόγω οντότητα. Για τους σκοπούς του παρόντος ορισμού, ως **"έλεγχος"** νοείται i) η εξουσία, άμεση ή έμμεση, για τη διεύθυνση ή διαχείριση της εν λόγω οντότητας είτε βάσει σύμβασης είτε με άλλο τρόπο, ή ii) η κυριότητα του πενήντα τοις εκατό (50%) ή περισσότερων εν κυκλοφορία μετοχών, ή iii) η πραγματική κυριότητα της εν λόγω οντότητας. Με τον όρο **"Εσείς"** (ή **"Σας"**) νοείται ένα φυσικό ή νομικό πρόσωπο που ασκεί δικαιώματα τα οποία εκχωρούνται από την παρούσα Άδεια χρήσης.

Ως **"Πηγαία μορφή"** νοείται η προτιμώμενη μορφή για την εκτέλεση τροποποιήσεων και συμπεριλαμβάνει, ενδεικτικά, τον πηγαίο κώδικα του λογισμικού, την πηγή τεκμηρίωσης και τα αρχεία διαμόρφωσης. Ως **"Μορφή αντικειμένου"** νοείται κάθε μορφή που προκύπτει από τον μηχανικό μετασχηματισμό ή μετάφραση μιας πηγαίας μορφής και συμπεριλαμβάνει, ενδεικτικά, τον μεταγλωττισμένο αντικειμενικό κώδικα, την παραγόμενη τεκμηρίωση και τις μετατροπές σε άλλους τύπους μέσων. Ως **"Έργο"** νοείται το έργο ενός δημιουργού, είτε σε πηγαία μορφή είτε σε μορφή αντικειμένου, το οποίο διατίθεται βάσει της Άδειας χρήσης, όπως υποδεικνύεται από μια γνωστοποίηση περί πνευματικών δικαιωμάτων που περιλαμβάνεται ή επισυνάπτεται στο έργο (ένα παράδειγμα παρέχεται στο παρακάτω Παράρτημα). Ως **"Παράγωγα έργα"** νοείται κάθε έργο, είτε σε πηγαία μορφή είτε σε μορφή αντικειμένου, που βασίζεται στο (ή προέρχεται από το) έργο και για το οποίο οι συντακτικές αναθεωρήσεις, τα σόγια, οι επεξηγήσεις ή άλλες τροποποιήσεις αντιπροσωπεύουν, συνολικά, ένα πρωτότυπο έργο δημιουργού. Για τους σκοπούς της παρούσας Άδειας χρήσης, τα Παράγωγα έργα δεν περιλαμβάνουν έργα που παραμένουν διαχωρισμένα από ή απλώς συνδέονται (ή συνδέονται κατά όνομα) με τις διεπαφές του Έργου και των Παράγωγων έργων αυτού. Ως **"Συνεισφορά"** νοείται κάθε έργο δημιουργού, συμπεριλαμβανομένης της αρχικής έκδοσης του έργου και τυχόν τροποποιήσεων ή προσθηκών στο έργο αυτό ή σε παράγωγα έργα του, που υποβάλλεται σκόπιμα στον Χορηγό της άδειας χρήσης

για να συμπεριληφθεί στο Έργο από τον κάτοχο των πνευματικών δικαιωμάτων ή από ένα άτομο ή μια Νομική οντότητα που έχει εξουσιοδοτηθεί για υποβολή εκ μέρους του κατόχου των πνευματικών δικαιωμάτων. Για τους σκοπούς του παρόντος ορισμού ως **"υποβληθείσα"** νοείται κάθε μορφή ηλεκτρονικής, προφορικής ή γραπτής επικοινωνίας που αποστέλλεται στον Χορηγό της άδειας χρήσης ή στους εκπροσώπους του, συμπεριλαμβανομένης, μεταξύ άλλων, της επικοινωνίας σε ηλεκτρονικές λίστες αλληλογραφίας, συστήματα ελέγχου πηγαίου κώδικα και συστήματα παρακολούθησης προβλημάτων τα οποία διαχειρίζεται ο Χορηγός της άδειας χρήσης ή άλλα μέρη για λογαριασμό του, με σκοπό τη συζήτηση και τη βελτίωση του Έργου, εξαιρουμένης της επικοινωνίας που επισημαίνεται εμφανώς ή ορίζεται με άλλο τρόπο εγγράφως από τον κάτοχο των πνευματικών δικαιωμάτων ως **"Μη αποτελούσα συνεισφορά"**. Ως **"Συντελεστής"** νοείται ο Χορηγός της άδειας χρήσης και κάθε φυσικό ή Νομικό πρόσωπο για λογαριασμό του οποίου έχει ληφθεί μια συνεισφορά από τον Χορηγό της άδειας χρήσης, η οποία, στη συνέχεια, έχει ενσωματωθεί στο Έργο.

2. Εκχώρηση άδειας χρήσης πνευματικών δικαιωμάτων.

Σύμφωνα με τους όρους και τις προϋποθέσεις της παρούσας Άδειας χρήσης, κάθε Συντελεστής Σάς εκχωρεί δια του παρόντος μια μόνιμη, παγκόσμια, μη αποκλειστική, δωρεάν και χωρίς υποχρέωση καταβολής δικαιωμάτων εκμετάλλευσης, ανέκκλητη άδεια χρήσης πνευματικών δικαιωμάτων για την αναπαραγωγή, τη δημιουργία παράγωγων έργων, τη δημόσια προβολή, τη δημόσια εκτέλεση, την παροχή επιμέρους αδειών χρήσης και τη διανομή του έργου και των εν λόγω παράγωγων έργων σε πηγαία μορφή ή σε μορφή αντικειμένου.

3. Χορήγηση άδειας χρήσης διπλώματος ευρεσιτεχνίας.

Σύμφωνα με τους όρους και τις προϋποθέσεις της παρούσας Άδειας χρήσης, κάθε Συντελεστής Σάς εκχωρεί δια του παρόντος μια μόνιμη, παγκόσμια, μη αποκλειστική, δωρεάν και χωρίς υποχρέωση καταβολής δικαιωμάτων εκμετάλλευσης, αμετάκλητη (εκτός από όσα αναφέρονται στην παρούσα ενότητα) άδεια χρήσης διπλώματος ευρεσιτεχνίας για την παραγωγή, τη χρήση, την προσφορά πώλησης, την πώληση, την εισαγωγή και με άλλο τρόπο μεταφορά του Έργου, όταν η εν λόγω άδεια ισχύει μόνο για τις αξιώσεις περί διπλώματος ευρεσιτεχνίας που επιτρέπει ο εν λόγω συντελεστής και οι οποίες παραβιάζονται απαραίτητα από τη Συνεισφορά ή τις Συνεισφορές τους μόνο ή με συνδυασμό της Συνεισφοράς ή των Συνεισφορών τους με το Έργο στο οποίο υποβλήθηκε ή εν λόγω Συνεισφορά ή Συνεισφορές. Εάν υποβάλετε αγωγή για δίπλωμα ευρεσιτεχνίας κατά οποιασδήποτε οντότητας (συμπεριλαμβανομένης διασταυρούμενης αξίωσης ή ανταγωγής σε αγωγή) ισχυριζόμενοι ότι το Έργο ή μια Συνεισφορά που έχει ενσωματωθεί στο Έργο συνιστά άμεση ή συμμετοχή σε παραβίαση διπλώματος ευρεσιτεχνίας, οποιεσδήποτε άδειες χρήσης διπλώματος ευρεσιτεχνίας Σάς έχουν εκχωρηθεί στο πλαίσιο της

παρούσας Άδειας χρήσης για το Έργο αυτό θα παύσουν να ισχύουν από την ημερομηνία κατάθεσης της εν λόγω αγωγής.

4. Αναδιανομή.

Επιτρέπεται να αναπαράγετε και να διανέμετε αντίγραφα του Έργου ή των Παράγωγων έργων αυτού σε οποιοδήποτε μέσο, με ή χωρίς τροποποιήσεις, και σε πηγαία μορφή ή μορφή αντικειμένου, εάν πληρούνται οι ακόλουθες προϋποθέσεις:

- Πρέπει να παρέχετε σε οποιοδήποτε άλλο παραλήπτη του Έργου ή των Παράγωγων έργων ένα αντίγραφο της παρούσας Άδειας χρήσης, και
- Πρέπει να φροντίσετε οποιοδήποτε τροποποιημένο αρχείο να φέρει εμφανείς γνωστοποιήσεις που θα δηλώνουν ότι έχετε αλλάξει τα αρχεία και πρέπει να διατηρήσετε, στην πηγαία μορφή οποιοδήποτε Παράγωγων έργων που διανέμετε, όλες τις γνωστοποιήσεις περί πνευματικών δικαιωμάτων, διπλωμάτων ευρεσιτεχνίας, εμπορικών σημάτων και απόδοσης δικαιωμάτων από την Πηγαία μορφή του Έργου, με εξαίρεση τις ειδοποιήσεις που δεν αφορούν οποιοδήποτε τμήμα των Παράγωγων έργων και
- Εάν το έργο περιλαμβάνει ένα αρχείο κειμένου με τίτλο **"ΓΝΩΣΤΟΠΟΙΗΣΗ"** στη διανομή του, οποιαδήποτε Παράγωγα έργα διανέμετε Εσείς πρέπει να περιλαμβάνουν ένα αναγνώσιμο αντίγραφο των γνωστοποιήσεων απόδοσης δικαιωμάτων που περιέχονται στο εν λόγω αρχείο με τίτλο ΓΝΩΣΤΟΠΟΙΗΣΗ, με εξαίρεση τις γνωστοποιήσεις που δεν αφορούν οποιοδήποτε τμήμα των Παράγωγων έργων, σε τουλάχιστον ένα από τα ακόλουθα σημεία: εντός ενός αρχείου κειμένου με τίτλο ΓΝΩΣΤΟΠΟΙΗΣΗ που διανέμεται μαζί με τα Παράγωγα έργα, εντός της Πηγαίας μορφής ή της τεκμηρίωσης, εάν παρέχεται μαζί με τα Παράγωγα έργα, ή εντός μιας απεικόνισης που θα δημιουργείται από τα Παράγωγα έργα, εάν και όπου εμφανίζονται κανονικά οι εν λόγω γνωστοποιήσεις από τρίτα μέρη. Τα περιεχόμενα του αρχείου με τίτλο ΓΝΩΣΤΟΠΟΙΗΣΗ παρέχονται μόνο για ενημερωτικούς σκοπούς και δεν τροποποιούν την Άδεια χρήσης. Μπορείτε να προσθέσετε τις δικές Σας γνωστοποιήσεις απόδοσης δικαιωμάτων σε Παράγωγα έργα που διανέμετε Εσείς, παράλληλα ή ως συμπλήρωμα στο κείμενο ΓΝΩΣΤΟΠΟΙΗΣΗ από το Έργο, υπό την προϋπόθεση ότι αυτές οι πρόσθετες γνωστοποιήσεις απόδοσης δικαιωμάτων δεν μπορούν να ερμηνευτούν ως τροποποίηση της Άδειας χρήσης. Μπορείτε να προσθέσετε τη δική Σας δήλωση περί πνευματικών δικαιωμάτων στις τροποποιήσεις σας και να ορίσετε πρόσθετους ή διαφορετικούς όρους και προϋποθέσεις για τη χρήση, την αναπαραγωγή ή τη διανομή των τροποποιημένων Σας ή για οποιαδήποτε τέτοια Παράγωγα έργα συνολικά, με την προϋπόθεση ότι η χρήση, αναπαραγωγή και η διανομή του Έργου από Εσάς συμμορφώνεται με τις προϋποθέσεις που αναφέρονται στην παρούσα Άδεια χρήσης.

5. Υποβολή συνεισφορών.

Εκτός εάν δηλώσετε ρητά κάτι διαφορετικό, οποιαδήποτε Συνεισφορά που υποβάλλεται σκόπιμα για συμπερίληψη στο Έργο από εσάς στον Χορηγό της άδειας χρήσης υπόκειται στους όρους και τις προϋποθέσεις της παρούσας Άδειας χρήσης, χωρίς οποιουδήποτε πρόσθετους όρους ή προϋποθέσεις. Με την επιφύλαξη των παραπάνω, τίποτα από όσα περιλαμβάνονται στο παρόν έγγραφο δεν αντικαθιστά ή τροποποιεί τους όρους οποιασδήποτε ξεχωριστής συμφωνίας άδειας χρήσης που μπορεί να έχετε συνάψει με τον Χορηγό της άδειας χρήσης σχετικά με αυτές τις Συνεισφορές.

6. Εμπορικά σήματα.

Η παρούσα Άδεια χρήσης δεν εκχωρεί την άδεια χρήσης των εμπορικών ονομάτων, των εμπορικών σημάτων, των σημάτων υπηρεσιών ή των ονομάτων προϊόντων του Χορηγού της άδειας χρήσης, εκτός εάν απαιτείται για την εύλογη και συνήθη χρήση κατά την περιγραφή της προέλευσης του έργου και την αναπαγωγή του περιεχομένου του αρχείου ΓΝΩΣΤΟΠΟΙΗΣΗ.

7. Δήλωση αποποίησης εγγύησης.

Εκτός εάν απαιτείται από την ισχύουσα νομοθεσία ή έχει συμφωνηθεί γραπτώς, ο Χορηγός της άδειας χρήσης παρέχει το Έργο (και κάθε Συντελεστής παρέχει τις συνεισφορές του) "ΩΣ ΕΧΕΙ", ΧΩΡΙΣ ΚΑΜΙΑ ΕΓΓΥΗΣΗ Ή ΠΡΟΫΠΟΘΕΣΗ ΟΠΟΙΟΥΔΗΠΟΤΕ ΕΙΔΟΥΣ, ρητή ή σιωπηρή, συμπεριλαμβανομένων, ενδεικτικά, οποιωνδήποτε εγγυήσεων ή προϋποθέσεων για τον ΤΙΤΛΟ, τη ΜΗ ΠΑΡΑΒΙΑΣΗ ΔΙΚΑΙΩΜΑΤΩΝ, την ΕΜΠΟΡΕΥΣΙΜΟΤΗΤΑ ή την ΚΑΤΑΛΛΗΛΟΤΗΤΑ ΓΙΑ ΣΥΓΚΕΚΡΙΜΕΝΟ ΣΚΟΠΟ. Είστε αποκλειστικά υπεύθυνοι για τον προσδιορισμό της καταλληλότητας χρήσης ή αναδιανομής του Έργου και αναλαμβάνετε κάθε κίνδυνο που σχετίζεται με την άσκηση των δικαιωμάτων Σας στο πλαίσιο της παρούσας

Άδειας χρήσης. 8. Περιορισμός ευθύνης. Σε καμία περίπτωση και βάσει καμίας νομικής θεωρίας, είτε εξ αδικπραξίας (συμπεριλαμβανομένης της αμέλειας) είτε βάσει σύμβασης ή άλλως, εκτός εάν απαιτείται από το εφαρμοστέο δίκαιο (όπως εσκεμμένες και αμελείς πράξεις) ή εάν έχει συμφωνηθεί γραπτώς, δεν θα είναι υπεύθυνος οποιοσδήποτε Συντελεστής έναντι Σας για τυχόν ζημιές, συμπεριλαμβανομένων των άμεσων, έμμεσων, ειδικών, συμπτωματικών ή επακόλουθων ζημιών οποιουδήποτε χαρακτήρα, οι οποίες μπορεί να προκύψουν ως αποτέλεσμα της παρούσας άδειας χρήσης ή λόγω της χρήσης ή της αδυναμίας χρήσης του Έργου (συμπεριλαμβανομένων, ενδεικτικά, ζημιών για απώλεια καλής θέλησης, διακοπή εργασιών, βλάβη ή δυσλειτουργία υπολογιστών ή οποιασδήποτε άλλη εμπορική ζημία ή απώλεια), ακόμα και αν ο εν λόγω Συντελεστής έχει ενημερωθεί για την πιθανότητα τέτοιων ζημιών.

9. Αποδοχή εγγύησης ή πρόσθετης ευθύνης.

Κατά την αναδιανομή του Έργου ή των Παράγωγων έργων αυτού, μπορείτε να επιλέξετε να προσφέρετε και να χρεώνετε μια αμοιβή για την αποδοχή της υποστήριξης, της εγγύησης, της αποζημίωσης ή άλλων υποχρεώσεων ή/και δικαιωμάτων που συνάδουν με την παρούσα Άδεια χρήσης. Ωστόσο, κατά την αποδοχή αυτών των υποχρεώσεων, μπορείτε να ενεργείτε μόνο για δικό σας λογαριασμό και με αποκλειστικά δική σας ευθύνη, όχι για λογαριασμό οποιουδήποτε άλλου Συντελεστή, και μόνο εάν συμφωνείτε να αποζημιώσετε, να υπερασπιστείτε και να προστατεύσετε κάθε Συντελεστή έναντι οποιασδήποτε ευθύνης που προκύπτει από, ή από αξιώσεις που εγείρονται κατά του εν λόγω Συντελεστή λόγω της αποδοχής από Εσάς οποιασδήποτε τέτοιας εγγύησης ή πρόσθετης ευθύνης. ΤΕΛΟΣ ΤΩΝ ΟΡΩΝ ΚΑΙ ΠΡΟΫΠΟΘΕΣΕΩΝ

Contenido

Introducción.....	132	Transporte, almacenamiento y eliminación.....	147
Seguridad.....	134	Datos técnicos.....	147
Montaje.....	142	Accesorios.....	149
Funcionamiento.....	142	Declaración de conformidad.....	150
Mantenimiento.....	144	Licencias.....	151
Resolución de problemas.....	146	Apéndice	507

Introducción

Descripción del producto

Husqvarna Aspire T28-P4A es una recortadora de césped de batería con un motor eléctrico.

Trabajamos constantemente para mejorar la seguridad y la eficiencia durante el uso del producto. Póngase

en contacto con su distribuidor para obtener más información.

Uso previsto

El producto se utiliza con un cabezal de corte para cortar hierba. No utilice el producto para otras tareas diferentes a cortar o desbrozar hierba.

Nota: El uso de este producto podría estar regulado por la legislación nacional.

(Fig. 20)

Guía rápida

Escanee el código QR para obtener información sobre cómo utilizar el producto.

Descripción del producto

(Fig. 1)

1. Cabezal de corte
2. Protección del equipo de corte
3. Salva plantas
4. Ajuste del tubo (telescópico)
5. Tubo
6. Asa cerrada
7. Cubierta de mantenimiento
8. Botón de ajuste del asa cerrada
9. Interfaz de usuario
10. Indicador de advertencia
11. Indicador del estado de carga
12. Botón ON/OFF
13. Gatillo del acelerador
14. Bloqueo del gatillo del acelerador
15. Batería (P4A 18-B45)
16. Botón para extraer la batería
17. Batería (P4A 18-B72)
18. Cargador de batería (P4A 18-C70)
19. Conector
20. Indicador de potencia y advertencia
21. Herramienta combinada
22. Gancho de pared
23. Tornillos y tacos para el gancho de pared
24. Manual de usuario

Símbolos que aparecen en el producto

- (Fig. 2) **ADVERTENCIA:** Este producto puede ser peligroso y ocasionar daños graves o mortales tanto al usuario como a cualquier otra persona. Tenga cuidado y utilice el producto correctamente.
- (Fig. 3) Lea detenidamente el manual de usuario y asegúrese de que entiende las instrucciones antes de usar la máquina.
- (Fig. 4) Utilice protección ocular.
- (Fig. 5) No exponer a la lluvia.
- (Fig. 6) Etiqueta de emisiones sonoras en el entorno conforme con las directivas y normativas de la UE y el Reino Unido, y con la regulación de 2017

sobre protección del medio ambiente (control de ruidos) (Protection of the Environment Operations - Noise Control) de la legislación de Nueva Gales del Sur. El nivel de potencia acústica garantizado del producto se especifica en el apartado *Datos técnicos en la página 147.*

(Fig. 7) Desconecte la batería antes de realizar cualquier trabajo de mantenimiento.

(Fig. 8) Ni el producto ni su embalaje son residuos domésticos. Recíclelos en un centro de reciclaje para equipos eléctricos y electrónicos.

(Fig. 9) Tenga cuidado con los objetos que puedan salir despedidos.

(Fig. 10) No utilice cuchillas metálicas.

(Fig. 11) El producto cumple con las directivas de la UE vigentes.

(Fig. 12) El producto cumple con la normativa vigente del Reino Unido.

(Fig. 13) Corriente continua.

(Fig. 17) La distancia entre la máquina y los transeúntes debe ser de al menos 15 m (50 pies).

aaaassxxxx
En la placa de características técnicas o en la impresión láser se indica el número de serie.
aaaa es el año de producción y
ss es la semana de producción.

Símbolos que aparecen en el producto

(Fig. 2) **ADVERTENCIA:** Este producto puede ser peligroso y ocasionar daños graves o mortales tanto al usuario como a cualquier otra persona. Tenga cuidado y utilice el producto correctamente.

- (Fig. 3) Lea detenidamente el manual de usuario y asegúrese de que entiende las instrucciones antes de usar la máquina.
- (Fig. 4) Utilice protección ocular.
- (Fig. 5) No exponer a la lluvia.
- (Fig. 6) Etiqueta de emisiones sonoras en el entorno conforme con las directivas y normativas de la UE y el Reino Unido (incluida la legislación de Nueva Gales del Sur). Los datos sobre las emisiones sonoras se pueden encontrar en la etiqueta de la máquina y en el capítulo Datos técnicos.
- (Fig. 7) Desconecte la batería antes de realizar cualquier trabajo de mantenimiento.
- (Fig. 8) Ni el producto ni su embalaje son residuos domésticos. Recíclelos en un centro de reciclaje para equipos eléctricos y electrónicos.
- (Fig. 9) Tenga cuidado con los objetos que puedan salir despedidos.
- (Fig. 10) No utilice cuchillas metálicas.
- (Fig. 11) El producto cumple con las directivas de la UE vigentes.
- (Fig. 13) Corriente continua.
- (Fig. 17) La distancia entre la máquina y los transeúntes debe ser de al menos 15 m (50 pies).

aaaassxxxx En la placa de características técnicas o en la impresión láser se indica el número de serie. **aaaa** es el año de producción y **ss** es la semana de producción.

Símbolos que aparecen en la batería o en el cargador de la batería

- (Fig. 18) Recicle el producto en un centro de reciclaje para equipos eléctricos y electrónicos. (Aplicable solo para Europa)
- (Fig. 19) Use la batería solamente en productos de socios que utilicen el sistema POWER FOR ALL.
- (Fig. 14) Transformador a prueba de fallos.
- (Fig. 15) Utilice y guarde el cargador de baterías únicamente en interiores.
- (Fig. 16) Doble aislamiento.

Daños en el producto

No nos hacemos responsables de los daños que pueda sufrir el producto si:

- El producto se ha reparado incorrectamente.
- El producto se ha reparado con piezas que no eran del fabricante o no autorizadas por el fabricante.
- El producto tiene un accesorio que no es del fabricante o no está autorizado por este.
- El producto no se ha reparado en un centro de servicio autorizado o por un organismo homologado.

Fabricante

Husqvarna AB
SE-561 82, Huskvarna, Sweden

Seguridad

Definiciones de seguridad

Las advertencias, precauciones y notas se utilizan para destacar información especialmente importante del manual.



ADVERTENCIA: Indica un riesgo de lesiones o incluso de muerte del usuario o de las personas cercanas si no se respetan las instrucciones del manual.



PRECAUCIÓN: Indica un riesgo de daños en el producto, otros materiales o el área adyacente si no se respetan las instrucciones del manual.

Nota: Se usa para proporcionar más información necesaria en una situación determinada.

Advertencias generales de seguridad relacionadas con la herramienta eléctrica



ADVERTENCIA: Lea todas las advertencias e instrucciones de seguridad. El incumplimiento de las advertencias e instrucciones de seguridad puede ocasionar descargas eléctricas, incendios o lesiones graves.

Nota: Conserve todas las advertencias e instrucciones para su consulta. El término «herramienta eléctrica» empleado en las advertencias hace referencia a una herramienta eléctrica que funciona con conexión a la red de suministro (con cable) o a una herramienta que funciona con batería (sin cable).

Comprobación previa

- No olvide extraer la batería para evitar que el producto arranque accidentalmente. No olvide extraer la batería antes de realizar cualquier tarea de mantenimiento en el producto.
- Antes de usar el producto, y después de cualquier impacto, compruebe que no hay signos de desgaste o daños y, si fuera necesario, repárelo.
- Inspeccione la zona de trabajo. Quite todos los materiales sueltos, como piedras, cristales rotos, clavos, alambres, cordones, etc., que puedan salir despedidos o enredarse en la recortadora o en su protección.
- Compruebe que el motor no está sucio ni presenta grietas. Limpie el motor de hierba y hojas con un cepillo. Se deben utilizar guantes cuando sea necesario.
- Compruebe que el cabezal de corte está bien acoplado a la recortadora.
- Compruebe que el producto esté en perfecto estado de funcionamiento. Verifique que todas las tuercas y tornillos estén apretados.
- Asegúrese de que el cabezal de corte y la protección de la recortadora no estén dañados ni presenten grietas. Cambie el cabezal de corte o la protección de la recortadora si han recibido golpes o están agrietados. Utilice siempre la protección recomendada para cada equipo de corte en particular. Consulte el capítulo Datos técnicos.
- El usuario del producto debe asegurarse de que ninguna persona o animal se acerquen a menos de 15 metros durante el trabajo. Si hay varios operarios trabajando en el mismo lugar, la distancia de seguridad entre ellos debe ser de al menos 15 metros.
- Lleve a cabo una inspección general del producto antes de su uso. Observe el programa de mantenimiento.

- El uso del producto podría estar regulado por los reglamentos nacionales o locales. Observe los reglamentos indicados.

Seguridad en el área de trabajo

- **Mantenga el área de trabajo limpia y bien iluminada.** Las zonas abarrotadas de cosas u oscuras favorecen los accidentes.
- **No maneje herramientas eléctricas en ambientes explosivos como aquellos en los que hay líquidos, gases o polvo inflamables.** Las herramientas eléctricas producen chispas que pueden inflamar el polvo o los vapores.
- **Mantenga alejados a los niños y a otras personas mientras trabaje con una herramienta eléctrica.** Las distracciones pueden hacer que pierda el control de esta.

Seguridad eléctrica

- **Los enchufes de las herramientas eléctricas deben corresponder a la toma de corriente utilizada. Nunca modifique el enchufe. No utilice adaptadores para las herramientas eléctricas con conexión a tierra.** Los enchufes sin modificar y las tomas de corriente del mismo tipo ayudan a reducir el riesgo de descarga eléctrica.
- **Evite el contacto de su cuerpo con superficies puestas a tierra como tuberías, radiadores, cocinas y neveras.** Si su cuerpo está en contacto con el suelo, existe un mayor riesgo de descarga eléctrica.
- **No exponga las herramientas eléctricas a la lluvia o a ambientes húmedos.** El riesgo de recibir descargas eléctricas aumentará si penetra agua en la herramienta eléctrica.
- **Maneje el cable con cuidado. No lo utilice nunca para transportar, tirar o desenchufar la herramienta eléctrica. Manténgalo alejado de fuentes de calor, aceite, aristas vivas o piezas móviles.** Los cables dañados o enredados incrementan el riesgo de descarga eléctrica.
- **Cuando trabaje con una herramienta eléctrica en exteriores, utilice un alargador indicado para este uso.** Utilizar un cable adecuado para su uso en exteriores reduce el riesgo de descarga eléctrica.
- **Si es necesario utilizar una herramienta eléctrica en un lugar húmedo, utilice suministro eléctrico protegido con un interruptor diferencial.** La utilización de un interruptor diferencial reduce el riesgo de descargas eléctricas.

Seguridad personal

- **Esté siempre atento, fíjese en lo que está haciendo y utilice el sentido común cuando maneje una herramienta eléctrica. No utilice herramientas eléctricas si está cansado o bajo los efectos de estupefacientes, alcohol o medicamentos.** Un momento de descuido, mientras se trabaja con herramientas eléctricas, puede causar lesiones graves.

- **Utilice el equipo de protección individual. Protéjase siempre los ojos.** El equipo de protección, como la mascarilla antipolvo, los zapatos de seguridad antideslizantes, el casco o los protectores auditivos, utilizados en función de las condiciones de trabajo, reducirá el riesgo de lesiones.
- **Evite el encendido accidental de la herramienta. Asegúrese de que el interruptor está en la posición de apagado antes de conectar la máquina a la fuente de alimentación o la batería, cogerla o transportarla.** Transportar herramientas eléctricas con el dedo puesto sobre el interruptor o encenderlas con el interruptor en la posición de encendido puede provocar accidentes.
- **Quite todas las clavijas de ajuste o llaves de tuercas antes de encender la herramienta eléctrica.** Una llave de tuercas o clavija de ajuste que se ha dejado colocada en una pieza giratoria de la herramienta eléctrica puede causar lesiones.
- **No se estire demasiado. Mantenga una posición correcta y el equilibrio en todo momento.** Esto le permitirá controlar mejor la herramienta eléctrica en situaciones imprevistas.
- **Utilice la ropa adecuada. No utilice nunca ropa amplia ni joyas. Mantenga el pelo y la ropa alejados de las piezas móviles.** La ropa amplia, las joyas o el pelo largo pueden quedar atrapados en las piezas móviles.
- **Si se suministran equipos de aspiración o captación de polvo, asegúrese de que estén conectados y se utilicen correctamente.** El uso de estos equipos puede reducir los riesgos derivados del polvo.
- **Evite que la familiaridad adquirida con el uso frecuente de las herramientas le lleve a confiarse e ignorar las medidas de seguridad al utilizarlas.** Una acción negligente puede causar lesiones graves en una fracción de segundo.
- La emisión de vibración durante el uso de la herramienta eléctrica puede ser diferente del valor indicado en función del uso de la misma. El usuario debe conocer las medidas de seguridad necesarias que se basan en una estimación de la exposición en condiciones de uso reales (teniendo en cuenta todas las partes del ciclo de funcionamiento, como el periodo en que la herramienta está apagada y el funcionamiento en ralentí además del gatillo).

Uso y cuidado de la herramienta eléctrica

- **No sobrecargue la herramienta eléctrica. Utilice la herramienta eléctrica adecuada para el trabajo que debe realizar.** Con la herramienta eléctrica apropiada hará el trabajo mejor y con mayor seguridad a la potencia para la que fue diseñada.
- **No utilice la herramienta eléctrica si el interruptor no funciona.** Las herramientas que no se puedan controlar con el interruptor son peligrosas y deben repararse.
- **Desconecte el enchufe de la fuente de alimentación o quite la batería (si se puede desmontar) de la herramienta eléctrica antes de realizar cualquier**

ajuste, cambiar accesorios o guardarla. Estas medidas de seguridad preventivas reducen el riesgo de encendido accidental de la herramienta eléctrica.

- **Guarde las herramientas eléctricas que no se utilicen fuera del alcance de los niños y no permita que personas no familiarizadas con su uso o con estas instrucciones las manejen.** Las herramientas eléctricas resultan peligrosas en manos de usuarios no cualificados.
- **Compruebe que las herramientas eléctricas y los accesorios están a punto. Compruebe que no haya partes móviles mal alineadas o trabadas, piezas rotas o cualquier otra circunstancia que pueda afectar al funcionamiento de la herramienta eléctrica. Si detecta daños, haga reparar la herramienta eléctrica antes de utilizarla.** Muchos accidentes se deben al uso de herramientas eléctricas que carecen de un mantenimiento adecuado.
- **Mantenga las herramientas de corte afiladas y limpias.** Las herramientas de corte con aristas afiladas y un mantenimiento adecuado tienen menos probabilidades de trabarse y son más fáciles de controlar.
- **Utilice la herramienta eléctrica, los accesorios, útiles, etc. según se indica en estas instrucciones, teniendo en cuenta las condiciones de trabajo y la tarea que debe realizar.** El uso de la herramienta eléctrica para trabajos distintos a aquellos para los que fue diseñada podría dar lugar a situaciones peligrosas.
- **Mantenga los mangos y superficies de agarre secos, limpios y sin aceite ni grasa.** Las superficies de agarre y los mangos resbaladizos no permiten manejar y controlar de forma segura la herramienta ante cualquier imprevisto.

Uso y cuidado de la herramienta con batería

- **Efectúe las recargas únicamente con el cargador especificado por el fabricante.** Un cargador apto para un tipo de batería puede comportar riesgo de incendio al utilizarse con otra batería distinta.
- **Utilice los productos exclusivamente con su batería específica.** El uso de otra batería puede comportar riesgo de lesiones e incendio.
- **Cuando no utilice la batería, manténgala alejada de objetos metálicos que puedan conectar un terminal a otro, como clips, monedas, llaves, clavos, tornillos u otros objetos metálicos pequeños.** Un cortocircuito en los terminales de la batería puede causar quemaduras o un incendio.
- **En condiciones extremas, el líquido puede salir expulsado de la batería; evite cualquier contacto. Si se produjera un contacto accidentalmente, enjuáguese con agua. Además, si el líquido entra en contacto con los ojos, busque asistencia médica.** El líquido expulsado de la batería puede causar irritaciones o quemaduras.
- **No utilice una batería o herramienta defectuosa, dañada o modificada.** Las baterías dañadas o modificadas pueden comportarse de forma

impredecible y provocar incendios, explosiones o riesgo de lesiones.

- **No exponga la batería o la herramienta al fuego ni a temperaturas excesivas.** La exposición al fuego o a temperaturas superiores a 130 °C/265 °F puede causar una explosión.
- **Siga todas las instrucciones de carga y no cargue la batería o herramienta fuera del rango de temperatura especificado en las instrucciones.** La carga incorrecta o a temperaturas fuera del intervalo especificado puede dañar la batería y aumentar el riesgo de incendio.

Servicio técnico

- **Solicite que su herramienta eléctrica sea reparada por personal cualificado y utilizando únicamente piezas de repuesto originales.** Esto garantizará la seguridad de la herramienta.
- **No revise baterías dañadas.** La revisión de las baterías solo debe realizarla el fabricante o proveedores de servicios autorizados.

Emplee siempre el sentido común.

Es imposible abarcar todas las situaciones en las que puede encontrarse. Utilice siempre el equipo con cuidado y sentido común. Evite todas aquellas situaciones que considere que sobrepasan sus capacidades. Si, después de leer estas instrucciones, no está seguro del procedimiento que debe seguir, consulte a un experto antes de utilizar el equipo.



ADVERTENCIA: No permita nunca que los niños utilicen la máquina ni permanezcan cerca de ella. La máquina es muy fácil de arrancar y los niños podrían hacerlo si no se les vigila lo suficiente. Ello puede comportar riesgo de daños personales graves. Por consiguiente, desconecte la batería cuando la máquina no esté bajo control.

Instrucciones generales de seguridad



ADVERTENCIA: Lea las siguientes instrucciones de advertencia antes de utilizar el producto.

- Extraiga la batería para evitar que el producto arranque accidentalmente.
- Este producto es una herramienta peligrosa si no se usa con cuidado o si se utiliza de forma incorrecta. Este producto puede ocasionar lesiones graves o mortales tanto al usuario como a cualquier otra persona.
- No utilice el producto si se ha modificado respecto de sus especificaciones iniciales. No cambie una parte del producto sin la autorización del fabricante. Utilice únicamente las piezas que están autorizadas

por el fabricante. Las lesiones o la muerte son un posible resultado de un mantenimiento incorrecto.

- Compruebe el producto antes de utilizarlo. Consulte *Comprobación previa en la página 135* y *Antes de utilizar el producto en la página 142*. No utilice un producto que esté dañado o que no funcione correctamente. Lleve a cabo las comprobaciones de seguridad y siga las instrucciones de mantenimiento y servicio descritas en este manual.
- Debe vigilarse a los niños para asegurarse de que no juegan con el producto. No permita nunca que los niños ni otras personas sin formación utilicen o reparen el producto o su batería. La legislación local regula la edad del usuario.
- Mantenga el producto en un área cerrada para impedir el acceso a niños o personas no autorizadas.
- Guarde el producto lejos del alcance de los niños.
- Bajo ninguna circunstancia debe modificarse la configuración original del producto sin autorización del fabricante. Utilice siempre accesorios originales. Las modificaciones o la utilización de accesorios no autorizados pueden ocasionar accidentes graves o incluso la muerte del usuario o de terceros.

Nota: El uso podría estar regulado por la legislación nacional o local. Observe los reglamentos indicados.

Instrucciones de seguridad para el funcionamiento



ADVERTENCIA: Lea las siguientes instrucciones de advertencia antes de utilizar el producto.

- **Evite utilizar la máquina en condiciones meteorológicas adversas, especialmente si hay riesgo de tormenta eléctrica.** Esto disminuye el riesgo de recibir un rayo.
- **Inspeccione a fondo la zona donde se va a utilizar la máquina por si hubiera animales.** La máquina puede lesionar a los animales mientras funciona.
- **Inspeccione detenidamente la zona donde va a utilizar la máquina y retire todas las piedras, palos, alambres, huesos y cualquier otro objeto extraño.** Los objetos que salen despedidos pueden provocar lesiones.
- **Antes de utilizar la máquina, realice siempre una inspección visual para comprobar que la recortadora no está dañada.** Las piezas dañadas aumentan el riesgo de lesiones.
- **Mantenga las protecciones colocadas en su lugar. Las protecciones deben estar en buen estado y montadas correctamente.** Una protección suelta, dañada o que no funcione correctamente puede provocar lesiones.
- **Mantenga las entradas de refrigeración limpias de todo tipo de suciedad.** Las entradas de aire

bloqueadas y los residuos pueden provocar el sobrecalentamiento de la máquina o riesgo de incendio.

- **Utilice siempre protección ocular y protectores auriculares.** Un equipo de protección adecuado reducirá el riesgo de sufrir lesiones.
- **Durante el funcionamiento de la máquina, lleve siempre calzado antideslizante y de protección. No use la máquina descalzo o con sandalias abiertas.** Esto reduce la posibilidad de lesiones en los pies por contacto con la recortadora en movimiento.
- **Lleve siempre ropa, como pantalones largos, que cubra las piernas del usuario mientras maneja la máquina.** El contacto con la recortadora o el hilo de corte en movimiento puede causar lesiones.
- **Mantenga a los transeúntes alejados mientras trabaja con la máquina.** Los restos que salen despedidos pueden provocar graves lesiones.
- **No opere la máquina por encima de la altura de la cintura.** De esta manera, se evita el contacto involuntario con la recortadora y se tiene un control mayor de la máquina en caso de imprevistos.
- **Tenga cuidado cuando trabaje con la máquina con hierba húmeda. Camine, en ningún caso corra.** Esto reduce el riesgo de resbalones y caídas, lo que puede provocar lesiones.
- **No opere la máquina en pendientes excesivamente pronunciadas.** Esto reduce el riesgo de perder el control, resbalarse o caerse, lo que podría provocar lesiones.
- **Cuando trabaje en pendientes, asegúrese siempre de tener los pies firmemente asentados, trabaje siempre en perpendicular a la superficie de las pendientes, nunca hacia arriba o hacia abajo, y extreme la precaución al cambiar de dirección.** Esto reduce el riesgo de perder el control, resbalarse o caerse, lo que podría provocar lesiones.
- **Mantenga todos los cables alejados de la zona de corte.** Puede haber cables ocultos en setos o arbustos que pueden cortarse accidentalmente con la cuchilla o el hilo de corte.
- **Mantenga todas las partes del cuerpo lejos de la cuchilla de la recortadora. No intente retirar el material de la máquina hasta que la haya desconectado de la fuente de alimentación.** La cuchilla o el hilo de corte en movimiento pueden provocar lesiones graves.
- **Lleve la máquina apagada y alejada del cuerpo.** El manejo correcto de la máquina reducirá las posibilidades de contacto accidental con una cuchilla o un hilo de corte en movimiento.
- **Utilice exclusivamente cabezales de corte, cuchillas e hilos de corte especificadas por el fabricante. No sustituya las cuchillas o el hilo de la recortadora por cuchillas o cables metálicos.** Las piezas de repuesto incorrectas pueden causar la pérdida del control de la máquina, su avería y lesiones.

Equipo de protección personal



ADVERTENCIA: Lea las siguientes instrucciones de advertencia antes de utilizar el producto.

- Para trabajar con el producto, debe utilizar siempre un equipo de protección personal homologado. El equipo de protección personal no elimina completamente el riesgo de lesiones, pero reduce la gravedad de las lesiones en caso de accidente. Deje que el distribuidor le ayude a seleccionar el equipo adecuado.
- Utilice protección auditiva homologada.

(Fig. 21)

- Utilice protección ocular homologada. Si se utiliza visor, deben utilizarse también gafas protectoras homologadas. Por gafas protectoras homologadas se entienden las que cumplen con la norma ANSI Z87.1 para EE. UU. o EN 166 para países de la UE.

(Fig. 22)

- Utilice guantes cuando sea necesario, por ejemplo, para el montaje, inspección o limpieza del equipo de corte.

(Fig. 23)

- Use botas de protección con puntera de acero y suela antideslizante.

(Fig. 24)

- Use indumentaria de material resistente. Use siempre pantalones largos y gruesos, y mangas largas. No lleve ropa suelta que pueda quedar atrapada en los arbustos y ramas. No utilice joyas, pantalones cortos ni sandalias. No vaya con los pies descalzos. Recójase el pelo por encima de los hombros.
- Mantenga cerca el equipo de primeros auxilios.

(Fig. 25)

Dispositivos de seguridad en el producto



ADVERTENCIA: Lea las siguientes instrucciones de advertencia antes de utilizar el producto.

En este apartado se describen los componentes de seguridad del producto, su función y el modo de efectuar el control y el mantenimiento para garantizar un funcionamiento óptimo. Consulte las instrucciones del apartado *Introducción en la página 132* para conocer dónde se encuentran estas piezas en el producto.

La vida útil del producto puede acortarse y el riesgo de accidentes puede aumentar si el mantenimiento no se hace de forma adecuada y si los trabajos de servicio y reparación no se efectúan de forma profesional. Si necesita más información, solicítela al distribuidor de su zona.



ADVERTENCIA: No emplee nunca un producto cuyos componentes de seguridad estén dañados. Efectúe la inspección y el mantenimiento del equipo de seguridad del producto tal como se describe en este apartado. Si el producto no supera cualquiera de estas pruebas, póngase en contacto con el taller de servicio para repararlo.



PRECAUCIÓN: Todos los trabajos de servicio y reparación de la máquina requieren una formación especial. Esto es especialmente cierto en lo que respecta al equipo de seguridad del producto. Si la máquina no pasa alguno de los controles indicados a continuación, acuda a su taller de servicio local. La compra de alguno de nuestros productos le garantiza que puede recibir un mantenimiento y servicio profesional. Si no ha adquirido la máquina en uno de nuestros distribuidores especializados con taller de servicio, solicite información sobre el taller más cercano.

Comprobación de la interfaz de usuario

Los LED verdes (A) muestran el estado de la batería cuando el producto está encendido pero no en funcionamiento.

1. Mantenga pulsado el botón ON/OFF (B). (Fig. 26)
 - a) El producto está encendido cuando los LED (A) están iluminados.
 - b) El producto está apagado cuando los LED (A) no están iluminados.
2. Consulte *Resolución de problemas en la página 146* si el indicador de advertencia (C) está encendido o parpadea.

Comprobación del bloqueo del gatillo de alimentación

El bloqueo del gatillo de alimentación impide el arranque accidental. Al presionar el bloqueo (A), el gatillo de alimentación (B) se desacopla. Al soltar el mango, el gatillo de alimentación y el bloqueo regresan a sus posiciones iniciales. (Fig. 27)

1. Asegúrese de que el gatillo de alimentación esté bloqueado cuando el bloqueo regrese a su posición inicial.

(Fig. 28)

2. Presione el gatillo de alimentación y asegúrese de que vuelve a su posición inicial al soltarlo.

(Fig. 29)

3. Compruebe que el gatillo de alimentación y el bloqueo se mueven con facilidad, y que el muelle de retorno funciona correctamente.

(Fig. 30)

4. Arranque el producto. Consulte *Arranque del producto en la página 143*.
5. Suelte el gatillo de alimentación y asegúrese de que el equipo de corte se detiene completamente.

Comprobación de la protección del equipo de corte



ADVERTENCIA: No utilice un equipo de corte si no está equipado con una protección homologada y debidamente montada. Utilice siempre la protección del equipo de corte recomendada para el equipo de corte que esté utilizando; consulte *Datos técnicos en la página 147*. Si se monta una protección del equipo de corte incorrecta o defectuosa, esto puede causar daños personales graves.

La protección del equipo de corte evita que los objetos salgan despedidos hacia el usuario. La protección del equipo de corte también evita daños al impedir el contacto con el equipo de corte.

1. Pare el motor.
2. Compruebe visualmente si hay daños como, por ejemplo, grietas.
3. Si la protección del equipo de corte está dañada, cámbiela.

Equipo de corte

Seleccione el equipo de corte adecuado y realice las tareas de mantenimiento en el equipo de corte para:

- Obtener un rendimiento de corte óptimo.
- Prolongar la vida útil del equipo de corte.



ADVERTENCIA: Utilice únicamente el equipo de corte con la protección recomendada por nosotros. Consulte el apartado *Datos técnicos en la página 147*. Lea las instrucciones del equipo de corte para montar correctamente el hilo de corte y elegir el diámetro de hilo correcto.



ADVERTENCIA: Un equipo de corte defectuoso puede aumentar el riesgo de accidentes.

Cabezal de corte



ADVERTENCIA: Asegúrese siempre de que el hilo de corte esté enrollado de forma firme y uniforme en el rodillo, para evitar vibraciones perjudiciales para la salud.

(Fig. 31)

- Utilice únicamente los cabezales e hilos de corte recomendados.
- Utilice únicamente los equipos de corte recomendados.
- Las máquinas más pequeñas requieren cabezales de corte pequeños y viceversa.
- La longitud del hilo de corte es importante. Un hilo más largo requiere mayor potencia del motor que uno corto, con el mismo diámetro del hilo.
- Controle que el cuchillo que hay en la protección de la recortadora esté intacto. Se encarga de cortar el hilo de corte a la largura correcta.
- Ponga en agua el hilo de corte un par de días antes de usarlo para aumentar su vida útil.

Seguridad de la batería



ADVERTENCIA: Lea tanto las instrucciones de seguridad como las generales. No atender a estas instrucciones puede provocar descargas eléctricas, incendios o lesiones graves. **Conserve toda la información de seguridad y las instrucciones generales para futuras consultas.**

- **Estas instrucciones de seguridad son válidas solamente para las baterías recargables de ion-litio de 18 V que utilicen el sistema POWER FOR ALL.**
- **Use la batería recargable solamente en productos de socios que utilicen el sistema POWER FOR ALL.** Las baterías recargables de 18 V con la etiqueta POWER FOR ALL son totalmente compatibles con los siguientes productos:
 - Todos los productos que utilicen el sistema de batería POWER FOR ALL de 18 V.
 - Todos los productos de 18 V de socios que utilicen el sistema POWER FOR ALL.
- **Siga las recomendaciones sobre la batería que se encuentran en el libro de instrucciones del producto.** Solo de esta forma se podrán utilizar la batería recargable y el producto sin peligro alguno, y las baterías recargables estarán protegidas contra sobrecargas peligrosas.
- **Cargue las baterías únicamente con cargadores recomendados por el fabricante o por los socios que utilicen el sistema POWER FOR ALL.** Un cargador adecuado para un tipo de batería puede suponer

un riesgo de incendio si se utiliza con una batería diferente.

- **La batería se suministra parcialmente cargada.** Para garantizar la máxima capacidad de la batería, cárguela completamente con el cargador antes de utilizar la herramienta eléctrica por primera vez.
- **Guarde las baterías fuera del alcance de los niños.**
- **No abra la batería.** Existe riesgo de cortocircuito.
- **En caso de daños o uso inadecuado, la batería puede emitir vapores. La batería puede incendiarse o explotar.** Si experimenta cualquier efecto adverso, asegúrese de que la zona esté bien ventilada y busque atención médica. Los vapores pueden irritar el sistema respiratorio.
- **Si la batería se utiliza de forma incorrecta o si está dañada, puede expulsar líquido inflamable. Debe evitarse el contacto con este líquido. Si se produjera un contacto accidental, enjuague con agua. Si el líquido entra en contacto con los ojos, busque atención médica.** El líquido expulsado de la batería puede causar irritaciones o quemaduras.
- **Si la batería está dañada, puede expulsar líquido y cubrir las superficies cercanas. Compruebe las piezas afectadas.** Limpie esas piezas o cámbielas si es necesario.
- **No provoque cortocircuitos en la batería. Cuando no utilice la batería, manténgala alejada de objetos metálicos que puedan poner en contacto un terminal con otro, como clips, monedas, llaves, clavos, tornillos u otros objetos metálicos pequeños.** Un cortocircuito en los terminales de la batería puede causar quemaduras o un incendio.
- **La batería puede resultar dañada por objetos puntiagudos, como clavos o destornilladores, o por fuerza aplicada externamente.** Se puede producir un cortocircuito interno que provoque que la batería se incendie, humee, explote o se sobrecaliente.
- **No realice ningún mantenimiento en baterías dañadas.** La revisión y reparación de las baterías solo debe realizarla el fabricante o proveedores de servicios autorizados.
- **Proteja la batería del calor, por ejemplo, de la luz solar directa y continua, del fuego, la suciedad, el agua y la humedad.** Existe riesgo de explosión o cortocircuito.
- **Utilice la batería en el producto únicamente cuando la temperatura ambiente sea de -5 °C — 40 °C.**
- **Guarde la batería únicamente a una temperatura ambiente de -20 °C — 50 °C.** Por ejemplo, no deje la batería en el coche en verano. Con temperaturas por debajo de los 0 °C, algunos dispositivos pueden experimentar una pérdida de potencia.
- **Cargue la batería únicamente a una temperatura ambiente comprendida entre 0 °C — 35 °C.** La carga fuera de este intervalo de temperaturas puede aumentar el riesgo de daños en la batería y suponer un riesgo de incendio.

Seguridad del cargador de batería



ADVERTENCIA: Lea tanto las instrucciones de seguridad como las generales. No atender a estas instrucciones puede provocar descargas eléctricas, incendios o lesiones graves. **Conserve estas instrucciones en un lugar seguro.** Utilice el cargador únicamente si puede evaluar todas las funciones y utilizarlas sin restricciones o si ha recibido las instrucciones correspondientes.

- **Supervise a los niños durante el uso, limpieza y mantenimiento.** Esto garantizará que los niños no jueguen con el cargador.
- **Cargue únicamente baterías de iones de litio del sistema POWER FOR ALL de 18 V con una capacidad de 1,5 Ah o más (5 celdas de batería o más).** La tensión de la batería debe coincidir con la tensión de carga del cargador. **No cargue baterías no recargables.** De otro modo, existe el riesgo de que se incendien o exploten.
- **No exponga el cargador a la lluvia ni a ambientes húmedos.** El riesgo de recibir descargas eléctricas aumentará si penetra agua en la herramienta eléctrica.
- **Mantenga el cargador limpio.** La suciedad supone un riesgo de descarga eléctrica.
- **Compruebe siempre el cargador, el cable y el enchufe antes de su uso. Deje de utilizar el cargador si detecta algún daño. No desmonte el cargador usted mismo. Haga que lo repare solo un especialista cualificado que utilice únicamente piezas de repuesto originales.** Los cargadores, cables y enchufes dañados aumentan el riesgo de descarga eléctrica.
- **No utilice el cargador sobre una superficie fácilmente inflamable (por ejemplo, papel, tejidos, etc.) ni en un entorno inflamable.** Existe riesgo de incendio debido al calentamiento del cargador durante el funcionamiento.
- **Efectúe las recargas únicamente con el cargador especificado por el fabricante.** Un cargador apto para un tipo de batería puede comportar riesgo de incendio al utilizarse con otra batería distinta.
- **En caso de daños o uso inadecuado, la batería también puede emitir vapores.** Si experimenta cualquier efecto adverso, asegúrese de que la zona esté bien ventilada y busque atención médica. Los vapores pueden irritar el sistema respiratorio.
- **En condiciones extremas, la batería puede expulsar líquido. Debe evitarse el contacto con este líquido. Si se produjera un contacto accidental, enjuague con agua. Si el líquido entra en contacto con los ojos, busque atención médica.** El líquido expulsado de la batería puede causar irritaciones o quemaduras.

- **No cubra las ranuras de ventilación del cargador.** De lo contrario, podría sobrecalentarse y dejar de funcionar correctamente.
- **Si es necesario sustituir el cable de alimentación, para evitar riesgos de seguridad esta operación deberá realizarla Husqvarna o un centro de atención al cliente autorizado para reparar las herramientas eléctricas Husqvarna.**
- **Productos vendidos sólo en Reino Unido:** Su producto está equipado con un enchufe eléctrico con homologación BS 1363/A con fusible interno (aprobación ASTA conforme a BS 1362). Si el enchufe no es adecuado para sus tomas de corriente, un agente de atención al cliente autorizado deberá sustituirlo por un enchufe apropiado. El enchufe de repuesto debe tener un fusible del mismo valor nominal que el enchufe original. El enchufe cortado debe desecharse para evitar posibles descargas eléctricas y nunca debe insertarse en una toma eléctrica en otro lugar.



ADVERTENCIA: Paro cardíaco

Este producto genera un campo electromagnético durante el funcionamiento que puede, en determinadas circunstancias, interferir con implantes médicos activos o pasivos. Para reducir el riesgo de que se den condiciones que provocarían lesiones graves o letales, las personas que utilicen implantes médicos deben consultar con su médico y con el fabricante del implante antes de poner en marcha este producto.



ADVERTENCIA: Riesgo de asfixia

Las piezas pequeñas pueden ser ingeridas con facilidad por bebés y niños pequeños. Asimismo, las bolsas de plástico pueden provocar la asfixia de bebés y niños pequeños. Mantenga a bebés y niños pequeños alejados durante el montaje del producto.

Instrucciones de seguridad para el mantenimiento



ADVERTENCIA: Lea las instrucciones de advertencia siguientes antes de realizar el mantenimiento del producto.

- Retire la batería antes de realizar tareas de mantenimiento, otras comprobaciones o montar el producto.
- El usuario debe realizar solo el mantenimiento y las reparaciones indicadas en este manual. Acuda a su taller de servicio autorizado para las tareas de mantenimiento y reparaciones más importantes.

- No limpie la batería o el cargador con agua. Los detergentes agresivos pueden provocar daños en el plástico.
- Si no se realiza el mantenimiento, el ciclo de vida del producto disminuye y aumenta el riesgo de accidentes.
- Para realizar todos los trabajos de mantenimiento y reparación, especialmente en los dispositivos

de seguridad en el producto, es necesaria una formación especial. Si no están aprobadas todas las comprobaciones de este manual de usuario después de realizar tareas de mantenimiento, acuda al taller de su distribuidor local. Le garantizamos que realizarán reparaciones y mantenimiento profesionales en su producto.

- Utilice únicamente piezas de repuesto originales.

Montaje

Introducción



ADVERTENCIA: Asegúrese de leer y comprender el capítulo sobre seguridad antes de montar el producto.

Montaje de la protección de la recortadora

1. Coloque la protección de la recortadora contra la carcasa del motor. (Fig. 32)
2. Coloque los 2 pernos a través de la carcasa del motor y de la protección de la recortadora. (Fig. 33)
3. Apriete los pernos.

Montaje del cabezal de corte

1. Gire el eje de salida hasta que el orificio del disco de arrastre coincida con el orificio de la caja de engranajes.
2. Introduzca la herramienta combinada en el orificio para bloquear el tubo.
3. Gire el cabezal de corte hacia la derecha. (Fig. 34)

Instalación del salva plantas

1. Instale el salva plantas en los orificios de la carcasa del motor. (Fig. 35)

2. Asegúrese de que el salva plantas puede moverse hacia adelante y hacia atrás libremente. (Fig. 36)

Instalación del gancho en la pared

- Instale el gancho solo en interiores.
- Mantenga el gancho alejado de la luz solar y a una temperatura ambiente de -10 °C a 70 °C.
- Instale el gancho en una pared hecha de placas de cartón yeso, madera, ladrillo u hormigón.



PRECAUCIÓN: Asegúrese de que la pared pueda soportar cargas de al menos 30 kg.

- Instale el producto en la pared con los 3 tornillos (A). Utilice tacos (B) si es necesario. (Fig. 37)



PRECAUCIÓN: Asegúrese de que los tornillos son adecuados para su tipo de pared.

- Póngase en contacto con el representante de Husqvarna para obtener información sobre los accesorios de almacenamiento disponibles para el producto.

Funcionamiento

Introducción



ADVERTENCIA: Asegúrese de leer y comprender el capítulo sobre seguridad antes de usar el producto.

Antes de utilizar el producto

- Examine la zona de trabajo para asegurarse de que se conoce el tipo de terreno. Examine la pendiente del terreno y si hay obstáculos como piedras, ramas y zanjas.
- Realice una inspección general del producto.
- Lleve a cabo las inspecciones de seguridad, y las labores de mantenimiento y servicio que se indican en este manual.

- Examine el motor en busca de suciedad o grietas. Utilice un cepillo para limpiar el motor de hierba y hojas. Utilice guantes cuando sea necesario.
- Examine el cabezal de corte y la protección del equipo de corte para comprobar si presenta daños o grietas. Cambie el cabezal de corte y la protección del equipo de corte si han recibido golpes o si presentan grietas.
- Asegúrese de que las tuercas y los tornillos están bien apretados.
- Asegúrese de que todas las tapas, protecciones y mangos, y el equipo de corte estén bien montados y no presenten daños antes de poner en marcha el producto.

Batería



ADVERTENCIA: Antes de usar la batería, debe leer y entender el capítulo sobre seguridad. También debe leer y comprender el manual de usuario de la batería y el cargador de batería.

Mantenga la batería y el cargador de batería en lugares con una temperatura ambiente correcta.

	Temperatura ambiente
Funcionamiento de la batería en el producto	-5 °C — 40 °C
Carga de la batería	0 °C — 35 °C

Carga de la batería

Cargue la batería antes de utilizarla por primera vez.

Nota: La batería no se cargará si su temperatura es superior a +35 °C.

1. Conecte el cable de alimentación del cargador de batería a una toma de corriente con tierra.



PRECAUCIÓN: Asegúrese de que la red eléctrica tiene la tensión y la frecuencia correctas.

2. Coloque la batería en el cargador. La batería está conectada al cargador de batería cuando el LED verde parpadea. (Fig. 38)
3. La batería está completamente cargada cuando el LED verde del cargador se enciende. Cargue la batería durante un máximo de 24 horas.
4. Desenchufe el cargador de batería de la red eléctrica.



PRECAUCIÓN: No tire del cable de alimentación.

5. Retire la batería del cargador.

LED de estado de la batería en el cargador de batería

El LED rojo (A) y el LED verde (B) del cargador de batería muestran el estado de la batería. Consulte *LED de estado de la batería en el producto en la página 143*.

(Fig. 39)

LED	Estado de la batería
El LED verde parpadea rápidamente.	La batería está cargando.

LED	Estado de la batería
El LED verde parpadea lentamente.	La batería tiene una carga del 80 %.
El LED verde está encendido fijo.	La batería está completamente cargada.
El LED rojo está encendido.	Consulte <i>LED de estado de la batería en el producto en la página 143</i> .
El LED rojo parpadea rápidamente.	Consulte <i>LED de estado de la batería en el producto en la página 143</i> .

LED de estado de la batería en el producto

Cuando la batería está instalada en el producto, los LED del producto muestran el estado de la batería.

(Fig. 40)

LED	Estado de la batería
LED 1, 2 y 3 encendidos.	Completamente cargada.
LED 1 y 2 encendidos.	Carga suficiente
LED 1 encendido.	La carga de la batería es baja.
LED 1 parpadeando.	La batería está descargada. El indicador de estado de la batería parpadea. Cargue la batería. Consulte <i>Carga de la batería en la página 143</i> .

Conexión de la batería al producto



ADVERTENCIA: Utilice la batería únicamente con productos del sistema POWER FOR ALL de 18 V.

1. Asegúrese de que la batería está completamente cargada.
2. Deslice la batería en el soporte del producto. La batería debe deslizarse fácilmente en el soporte; si no es así, no está instalada correctamente.

(Fig. 41)

3. La batería quedará fija en su posición cuando oiga un clic.

Arranque del producto

1. Mantenga pulsado el botón ON/OFF hasta que el LED verde se encienda. (Fig. 42)

2. Presione el bloqueo y el gatillo de alimentación. El equipo de corte empieza a girar.

Ajuste del asa cerrada y el tubo telescópico

1. Pulse el botón de ajuste del asa cerrada.

(Fig. 43)

2. Ajuste el asa cerrada a un ángulo adecuado.
3. Suelte el botón de ajuste del asa cerrada.
4. Afloje la palanca del tubo. (Fig. 44)
5. Ajuste la longitud necesaria del tubo.
6. Cierre la palanca y apriete el tornillo.

Nota: Las dos posiciones del asa cerrada de la siguiente ilustración son solo para transporte o almacenamiento.

(Fig. 45)

Función de parada automática

El producto cuenta con una función de parada automática que lo detiene si no se está utilizando. El producto se apaga después de 3 minutos.

Manejo del producto

Para recortar la hierba

1. Mantenga el cabezal de corte inclinado justo por encima del suelo. No empuje el hilo de corte contra la hierba. (Fig. 46)
2. Reduzca la longitud del hilo de corte en 8-10 cm (3,15-4 pulg.).

Desbrozar hierba

1. Mantenga el cabezal de corte por encima del suelo.
2. Incline el cabezal de corte.
3. Corte con el extremo del hilo de corte alrededor de los objetos que se encuentren en la zona de trabajo.



PRECAUCIÓN: Corte la hierba. El hilo de corte se desgastará más si entra en contacto con otros objetos.

Para cortar la hierba

1. Asegúrese de que el hilo de corte esté paralelo al suelo cuando corte la hierba. (Fig. 47)
2. No empuje el cabezal de corte contra el suelo. Esto puede provocar daños en el producto.
3. Mueva el producto de un lado a otro cuando corte la hierba. (Fig. 48)

Barrer la hierba

El flujo de aire que genera el hilo de corte al girar puede usarse para retirar la hierba cortada de una zona.

1. Mantenga el cabezal de corte y el hilo de corte paralelos al suelo sin llegar a tocarlo.
2. Mueva el cabezal de corte de lado a lado para barrer la hierba.



ADVERTENCIA: Limpie la cubierta del cabezal de corte cada vez que coloque hilo de corte nuevo para evitar que las empuñaduras pierdan equilibrio y generen vibraciones. Revise también el resto de componentes del cabezal de corte y límpielos si es necesario.

Parada del producto

1. Suelte el gatillo de alimentación y el bloqueo.
2. Pulse el botón ON/OFF hasta que el LED verde se apague.
3. Pulse el botón de liberación de la batería para extraerla del producto. (Fig. 49)

Sustitución del hilo de corte

Consulte la última página de este manual de usuario.

Mantenimiento

Introducción



ADVERTENCIA: Asegúrese de leer y comprender el capítulo sobre seguridad antes de realizar tareas de mantenimiento en el producto.



ADVERTENCIA: Extraiga la batería antes de realizar tareas de mantenimiento.

A continuación incluimos una lista con los pasos de mantenimiento que hay que efectuar en el producto. Consulte *Mantenimiento en la página 144* para obtener más información.

Mantenimiento	Diario	Semanal	Mensual
Limpie la parte exterior del producto con un trapo seco. No utilice agua.	X		
Compruebe que el botón de parada y arranque funcione correctamente y no esté dañado.	X		
Por seguridad, asegúrese de que el gatillo de alimentación y el bloqueo de dicho gatillo funcionan correctamente.	X		
Asegúrese de que todos los mandos funcionen y no estén dañados.	X		
Mantenga los mangos secos, limpios y sin aceite ni grasa.	X		
Asegúrese de que el equipo de corte no esté dañado. Si el equipo de corte está dañado, cámbielo.	X		
Asegúrese de que la protección del equipo de corte no esté dañada. Si la protección del equipo de corte está dañada, cámbiela.	X		
Asegúrese de que los tornillos y las tuercas están bien apretados.	X		
Asegúrese de que los botones de liberación de la batería funcionan y fijan ja batería en el producto.	X		
Compruebe que el cargador de la batería no esté dañado y funcione correctamente.	X		
Asegúrese de que la batería no esté dañada.	X		
Asegúrese de que la batería está cargada.	X		
Asegúrese de que el cargador de la batería no esté dañado.	X		
Examine todos los cables, acoplamientos y conexiones. Asegúrese de que no estén dañados ni sucios.		X	
Realice una comprobación de las conexiones entre la batería y el producto. Realice una comprobación de la conexión entre la batería y el cargador de baterías.			X

Para examinar la batería y el cargador de la batería

1. Examine la batería en busca de daños, por ejemplo, grietas.
2. Examine el cargador en busca de daños, por ejemplo, grietas.
3. Asegúrese de que el cable de alimentación del cargador de la batería no esté dañado ni agrietado.

Para limpiar el producto, la batería y el cargador de la batería

1. Limpie el producto con un paño seco después de su uso.
2. Limpie la batería y cargador de batería con un paño limpio y seco. Mantenga las guías de la batería limpias.
3. Asegúrese de que los terminales de la batería y del cargador estén limpios antes de colocar la batería en el cargador o en el producto.

Inspección y sustitución del cabezal de corte

1. Compruebe si el cabezal de corte presenta daños o grietas.
2. Gire el eje de salida hasta que el orificio del disco de arrastre coincida con el orificio de la caja de engranajes.
3. Introduzca la herramienta combinada en el orificio para bloquear el tubo.
4. Gire el cabezal de corte hacia la izquierda.

(Fig. 50)

5. Vuelva a colocar el cabezal de corte.
6. Monte el cabezal de corte. Consulte *Montaje del cabezal de corte en la página 142*.

Resolución de problemas

Interfaz de usuario

Problema	Posibles fallos	Solución posible
El LED verde de activación parpadea.	Tensión de la batería baja.	Cargue la batería.
El LED rojo de error parpadea.	Sobrecarga.	El equipo de corte no puede moverse libremente. Desmonte el equipo de corte.
	Desviación de la temperatura.	Deje enfriar el producto.
	Se han pulsado a la vez el gatillo de alimentación y el botón START.	Suelte el gatillo de alimentación y pulse el botón START.
Los LED verde y rojo parpadean alternativamente.	La batería está descargada.	Cargue la batería.
	La batería está dañada.	Acuda a su taller de servicio.

Cargador de batería

LED del cargador de batería	Causa	Solución
El LED verde está encendido fijo y el LED rojo parpadea.	La batería no está correctamente instalada en el cargador.	Extraiga la batería del cargador e introdúzcala de nuevo.
	Los conectores de la batería están sucios.	Limpie los conectores de la batería.
	La temperatura ambiente es demasiado alta o demasiado baja.	Utilice el cargador de batería con temperaturas entre 0 °C y +35 °C.
	La batería está defectuosa.	Sustituya la batería.
El LED verde y el LED rojo están apagados.	El cargador de batería no está enchufado correctamente a la toma de corriente.	Conecte el cargador de batería a una toma de corriente.
	Toma de corriente averiada.	Conecte el cargador de batería con la tensión y la frecuencia que se indican en la placa de características.
	El cable del cargador de batería está defectuoso.	Acuda a un taller de servicio autorizado.
	El cargador de batería está defectuoso.	
Otros errores.	Si se producen otros errores, asegúrese de que el producto está apagado, quite la batería y hable con un taller de servicio autorizado.	

Transporte, almacenamiento y eliminación

Transporte y almacenamiento

- Las baterías de iones de litio incluidas cumplen los requisitos de la normativa sobre mercancías peligrosas.
- Siga el requisito especial indicado en el paquete y en las etiquetas para el transporte comercial, incluso por terceros y agentes de transporte.
- Hable con alguien con formación especial en materiales peligrosos antes de enviar el producto. Respete todas las normativas nacionales aplicables.
- Cubra con cinta los contactos abiertos cuando ponga la batería en un paquete. Embale bien la batería en el paquete para evitar que se mueva.
- Extraiga la batería si va a guardar o transportar el producto.
- Coloque la batería y el cargador en un lugar seco y protegido de la humedad y las heladas.
- No almacene la batería en lugares donde pueda generarse electricidad estática. No guarde la batería en una caja metálica.
- Guarde la batería a una temperatura de entre -20 °C y +50 °C (-4 °F y 122 °F), y protegida de la luz directa del sol.
- Guarde el cargador de batería a una temperatura de entre 5 °C y 45 °C (41 °F y 113 °F), y protegido de la luz directa del sol.
- Guarde el producto, en un lugar cuya temperatura esté entre -40 °C y +60 °C (-40 °F y 140 °F).
- Utilice el cargador de batería solo cuando la temperatura ambiente esté entre 0 °C y 35 °C (32 °F y 95 °F).
- Cargue la batería entre el 30 % y el 50 % antes de guardarla durante periodos de tiempo prolongados.

- Guarde el cargador de batería en un espacio cerrado y seco.
- Cuando guarde la batería, manténgala alejada del cargador. No permita que los niños ni otras personas no autorizadas toquen el equipo. Guarde el equipo en un lugar que pueda cerrarse con llave.
- Limpie el producto y realice un mantenimiento completo antes de guardarlo durante un periodo de tiempo prolongado.
- Utilice la protección de transporte del producto para evitar lesiones o daños en el producto durante el transporte y almacenamiento.
- Fije el producto firmemente durante el transporte.
- Guarde el producto en posición horizontal o cuélguelo en el gancho suministrado. Consulte *Instalación del gancho en la pared en la página 142.*

(Fig. 51)

desecho de la batería, el cargador y el producto

El siguiente símbolo significa que el producto no puede desecharse con los residuos domésticos. Reciclélo en un centro de reciclaje para equipos eléctricos y electrónicos. Esto ayudará a evitar dañar el medioambiente y las personas.

Consulte a las autoridades locales, el servicio de recogida de residuos domésticos o a su distribuidor para obtener más información.

(Fig. 18)

Nota: El símbolo aparece en el producto o el paquete del producto.

Datos técnicos

Datos técnicos

	Aspire T28-P4A
Motor	
Tipo de motor	PMDC
Velocidad en el eje de salida, rpm	6800
Anchura de corte, mm	280
Peso	
Peso sin batería, kg	2,6
Peso con batería (P4A 18-B45/P4A 18-B70), kg	3,0/3,3

Aspire T28-P4A	
Emisiones de ruido ¹⁹	
Nivel de potencia acústica medido, dB(A)	85
Nivel de potencia acústica garantizado L _{WA} dB(A)	88
Niveles de ruido ²⁰	
Nivel de presión sonora equivalente en el oído del usuario, medido según EN ISO 50636-2-91, dB(A)	73
Niveles de vibración ²¹	
Niveles de vibración en los mangos y las asas, medidos conforme a EN50636-2-91, m/s ²	2,26/1,61
Equipado con cabezal de corte (original), parte delantera/trasera.	

Batería	P4A 18-B45	P4A 18-B72
Tipo	Ion-litio	Ion-litio
Capacidad de la batería, Ah	Consulte la etiqueta que indica la potencia de la batería	Consulte la etiqueta que indica la potencia de la batería
Tensión nominal, V	18	18
Peso, kg	0,4	0,7

Cargador de batería	P4A 18-C70
Tensión de red, V	220-240
Frecuencia, Hz	50-60
Potencia, W	70
Tensión de salida, V CC/ Amperaje, A	14,4-18/3

¹⁹ Emisiones sonoras en el entorno medidas como potencia acústica (L_{WA}) según la directiva 2000/14/CE. La diferencia entre la potencias acústicas garantizada y medida es que la potencia acústica garantizada también incluye la dispersión en el resultado de la medición y las variaciones entre diferentes productos del mismo modelo, según la directiva 2000/14/CE.

²⁰ Los datos de nivel de presión sonora equivalente del producto que se han recogido tienen una dispersión estadística típica (desviación estándar) de 3 dB(A).

²¹ Los datos referidos del nivel de vibración poseen una dispersión estadística típica (desviación típica) de 1,5 m/s².

Accesorios

Accesorios homologados

Accesorios homologados	Tipo	Protección del equipo de corte, referencia
Cabezal de corte	A15B M5 (hilo de Ø 1,6 mm)	536 47 32-01

Declaración de conformidad

Declaración de conformidad UE

Nosotros, **Husqvarna AB**, SE-561 82 Huskvarna (Suecia), tel. +46-36-146500, declaramos bajo nuestra exclusiva responsabilidad que el producto:

Descripción	Recortadora de césped a batería
Marca	Husqvarna
Tipo/Modelo	Aspire T28-P4A
Identificación	Números de serie a partir del año 2023

Cumple las siguientes directivas y normas de la UE:

Directiva/Normativa	Descripción
2006/42/CE	"relativa a las máquinas"
2014/30/UE	"relativa a la compatibilidad electromagnética"
2000/14/CE	"relativa a las emisiones sonoras en el entorno"
2011/65/UE	"relativa a restricciones de utilización de determinadas sustancias peligrosas en aparatos eléctricos y electrónicos"

Y que se aplican las especificaciones técnicas o los estándares siguientes: EN 60335-1:2012/A15:2021, EN 50636-2-91:2014, EN IEC 63000:2018, EN IEC 55014-1:2021; EN IEC 55014-2:2021.

Organismo notificado: 0158 DEKRA Testing and Certification GmbH, Handwerkstraße 15, 70565 Stuttgart, Germany ha certificado la conformidad con la Directiva del Consejo 2000/14/CE, Procedimiento de evaluación de conformidad: Anexo VI.

Para obtener información respecto a las emisiones sonoras, consulte *Datos técnicos en la página 147*.

Huskvarna, 2023-12-14



Claes Losdal, director de I+D de Husqvarna AB
Responsable de la documentación técnica



Licencias

Copyright © 2012–2020 STMicroelectronics

La garantía no cubre desperfectos resultantes de un deterioro y desgaste normales, negligencia, uso inapropiado, reparación no autorizada o si el aparato de aspiración se conecta a la tensión incorrecta.

Todos los derechos reservados.

Se permite la redistribución y el uso del código fuente o el código binario, modificado o no, siempre que se cumplan las siguientes condiciones:

- La redistribución del código fuente debe conservar el aviso de copyright anterior, esta lista de condiciones y la siguiente exención de responsabilidad.
- La redistribución del código binario debe reproducir el aviso de copyright anterior, esta lista de condiciones y la siguiente exención de responsabilidad en la documentación o en otros materiales proporcionados con la distribución.
- Ni el nombre de STMicroelectronics ni los nombres de sus colaboradores pueden utilizarse para promocionar productos derivados de este software sin un permiso específico previo por escrito.

LOS TITULARES DEL COPYRIGHT Y LOS COLABORADORES PROPORCIONAN ESTE SOFTWARE "TAL CUAL", Y SE RENUNCIA A CUALQUIER GARANTÍA EXPRESA O IMPLÍCITA, INCLUIDAS, ENTRE OTRAS, LAS GARANTÍAS IMPLÍCITAS DE COMERCIABILIDAD E IDONEIDAD PARA UN FIN DETERMINADO. EN NINGÚN CASO SE RESPONSABILIZARÁ AL TITULAR DEL COPYRIGHT NI A LOS COLABORADORES POR NINGÚN DAÑO DIRECTO, INDIRECTO, FORTUITO, ESPECIAL, EJEMPLAR O DERIVADO (INCLUIDOS, ENTRE OTROS, LA PROPORCIÓN DE BIENES O SERVICIOS DE SUSTITUCIÓN; LA PÉRDIDA DE USO, DATOS O BENEFICIOS; O LA INTERRUPCIÓN DE LA ACTIVIDAD EMPRESARIAL), SEA CUAL SEA SU CAUSA O TIPO, YA SEA DE FORMA CONTRACTUAL, EXTRA CONTRACTUAL O POR RESPONSABILIDAD ESTRICTA (INCLUIDA NEGLIGENCIA U OTRO TIPO), Y COMO CONSECUENCIA DEL USO DE ESTE SOFTWARE, AUNQUE SE HAYA ADVERTIDO DE LA POSIBILIDAD DE QUE SE PRODUZCAN TALES DAÑOS.

Licencia de Apache 2.0

Copyright © 2009-2019 Arm Limited. Todos los derechos reservados.

Versión 2.0, enero de 2004 <http://www.apache.org/licenses/>

TÉRMINOS Y CONDICIONES DE USO,
REPRODUCCIÓN Y DISTRIBUCIÓN

1. Definiciones.

"**Licencia**" hace referencia a los términos y condiciones de uso, reproducción y distribución, según la definición establecida en las secciones 1 a 9 de este documento.

"**Licenciador**" hace referencia al titular del copyright, o a la entidad autorizada por el mismo, que otorga la licencia. "**Entidad legal**" hace referencia a la unión de la entidad actuante y todas las demás entidades que la controlan, son controladas por ella o están sujetas a un control común con dicha entidad. A los efectos de esta definición, el "**control**" es (i) la potestad directa o indirecta para dirigir o gestionar dicha entidad, ya sea mediante contrato o de otro modo; o (ii) la titularidad de al menos el cincuenta por ciento (50 %) de las acciones; o (iii) la propiedad efectiva de dicha entidad.

"**Usted**" (o "**su**") hace referencia a una persona o entidad legal que ejerza los permisos otorgados por esta licencia. El formato de "**código fuente**" hace referencia al formato preferente para realizar modificaciones, incluidos, entre otros, el código fuente del software, el código fuente de la documentación y los archivos de configuración. El formato de "**objeto**" hace referencia al formato resultante de la transformación mecánica o traducción del código fuente, lo cual incluye, entre otros, el código de objeto compilado, la documentación generada y las conversiones a otros tipos de soportes.

"**Obra**" hace referencia a la obra del autor, ya sea en formato de código fuente o de objeto, disponible en virtud de esta licencia, según se indica en un aviso de copyright incluido o incorporado a la obra (se facilita un ejemplo en el apéndice más adelante).

"**Obras derivadas**" hace referencia a cualquier obra, en formato de código fuente o de objeto, que esté basada en la obra (o derive de ella), y en la que el conjunto de las revisiones editoriales, anotaciones, elaboraciones u otras modificaciones representen una obra de autoría original. A los efectos de esta licencia, las obras derivadas no incluirán las obras que sea posible separar o que compartan un simple vínculo (o unión por nombre) con las interfaces de la obra y de las obras derivadas de la misma. "**Colaboración**" hace referencia a cualquier obra de autor, incluida la versión original de la obra y cualquier modificación o adición a dicha obra u obras derivadas de la misma, que se envíen intencionadamente al licenciador para su inclusión en la obra por parte del titular del copyright o por una persona o entidad legal autorizada para ello en representación del titular del copyright. A los efectos de esta definición, "**enviar**" hace referencia a cualquier forma de comunicación electrónica, verbal o escrita enviada al licenciador o a sus representantes, incluida, entre otras, la comunicación en listas de correo electrónico, sistemas de control de código fuente y sistemas de seguimiento de problemas gestionados por o en representación del licenciador con el fin de comentar y mejorar la obra, a excepción de las comunicaciones descritas claramente o designadas por escrito como "**No colaboración**" por el titular del copyright. "**Colaborador**" hace referencia al licenciador

o cualquier persona o entidad legal en cuyo nombre haya recibido el licenciador una colaboración que se incorporará posteriormente a la obra.

2. Concesión de licencia de copyright.

De acuerdo con los términos y condiciones de esta licencia, por la presente, cada colaborador le otorga una licencia de copyright perpetua, global, no exclusiva, sin cargas ni regalías e irrevocable para reproducir, preparar obras derivadas, mostrar u operar públicamente, sublicenciar y distribuir la obra y dichas obras derivadas en formato de código fuente u objeto.

3. Concesión de licencia de patente.

De acuerdo con los términos y condiciones de esta licencia, por la presente, cada colaborador le otorga una licencia de patente perpetua, global, no exclusiva, sin cargas ni regalías e irrevocable (excepto en los casos indicados en esta sección) para utilizar o hacer utilizar, vender, ofertar, importar y transferir de otro modo la obra, siendo de aplicación esta licencia solamente a las solicitudes de patente otorgables por un colaborador que afecten exclusivamente a sus colaboraciones o combinación de colaboraciones a la obra a la que se incorporaron. Si usted iniciara un proceso legal contra cualquier entidad (incluidas las contrademandas en un proceso) alegando que la obra o una colaboración incorporada a la obra constituye una infracción directa o contributiva de una patente, todas las licencias de patentes otorgadas a usted en virtud de esta licencia sobre esa obra cesarán a partir de la fecha en que se instituya dicho proceso.

4. Redistribución.

Usted podrá reproducir y distribuir copias de la obra o de las obras derivadas de la misma en cualquier medio, con o sin modificaciones, en formato de código fuente o de objeto, siempre que cumpla las siguientes condiciones:

- Deberá facilitar a todos los demás receptores de la obra u obras derivadas una copia de esta Licencia.
- Deberá indicar claramente las modificaciones que haya realizado en los archivos. Deberá conservar en el formato de código fuente de todas las obras derivadas que usted distribuya todos los avisos relativos al copyright, patentes, marcas comerciales y atribuciones en la forma de código fuente de la obra, salvo los avisos que no pertenezcan a ninguna parte de las obras derivadas.
- Si la obra incluye un archivo de texto de "AVISO" como parte de su distribución, todas las obras derivadas que usted distribuya deberán incluir una copia legible de los avisos de atribución contenidos en dicho archivo de AVISO, salvo aquellos avisos que no pertenezcan a ninguna parte de las obras derivadas, en al menos uno de los lugares siguientes: en el contenido del archivo de texto de AVISO distribuido como parte de la obra derivada; en el contenido del formato de código fuente o en la documentación, si estos se facilitan junto con

las obras derivadas; o mediante un elemento visual generado por las obras derivadas, en el lugar en que normalmente aparezcan tales avisos externos. El contenido del archivo de AVISO es meramente informativo y no modifica la licencia. Usted podrá añadir sus propios avisos de atribución en las obras derivadas que usted distribuya, junto con el texto de AVISO de la obra, o como adición al mismo, siempre que estos avisos de atribución adicionales no puedan interpretarse como una modificación de la licencia. Usted podrá añadir su propia declaración con respecto al copyright en sus modificaciones y podrá añadir términos y condiciones diferentes en la licencia para el uso, la reproducción o la distribución de sus modificaciones o de las obras derivadas en conjunto, siempre que su uso, reproducción y distribución de la obra cumpla las condiciones establecidas en esta licencia.

5. Envío de colaboraciones.

A menos que usted indique explícitamente lo contrario, todas las colaboraciones que envíe deliberadamente al licenciador para su inclusión en la obra estarán sujetas a los términos y condiciones de esta licencia sin términos y condiciones adicionales. Sin perjuicio de lo anterior, nada de lo aquí expuesto sustituirá ni modificará los términos de cualquier otro acuerdo de licencia independiente que haya suscrito con el licenciador en relación con tales colaboraciones.

6. Marcas comerciales.

Esta licencia no autoriza el uso de nombres comerciales, marcas comerciales, marcas de servicio o nombres de productos del licenciador, excepto cuando lo requiera el uso razonable y habitual en la descripción del origen de la obra y la reproducción del contenido del archivo de AVISO.

7. Renuncia de garantía.

A menos que lo exijan las leyes pertinentes o se acuerde por escrito, el licenciador ofrece la obra (y cada colaborador ofrece sus colaboraciones) "TAL CUAL", SIN GARANTÍAS NI CONDICIONES DE NINGÚN TIPO, ya sean expresas o implícitas, como por ejemplo, cualquier garantía o condición sobre TÍTULO, NO INFRACCIÓN, COMERCIABILIDAD o IDONEIDAD PARA UN FIN PARTICULAR. Usted es el único responsable de determinar si es apropiado utilizar o redistribuir la obra y asume todos los riesgos asociados a su ejercicio de los permisos otorgados en virtud de esta licencia. 8. Limitación de responsabilidad. Bajo ninguna circunstancia ni fundamento legal, ya sea extracontractual (incluida la negligencia), contractual o de otro tipo, a menos que lo exijan las leyes pertinentes (como en el caso de actos de negligencia deliberados y graves) o se haya acordado por escrito, será responsable ningún colaborador ante usted por daños de ningún tipo, ya sean directos, indirectos, especiales, fortuitos o derivados ocasionados como resultado de esta licencia o por el uso o imposibilidad

de uso de la obra (como por ejemplo los daños por pérdida de clientes, pérdida de actividad, avería o mal funcionamiento de los ordenadores o cualquier otra forma de daños o pérdidas comerciales), incluso si dicho colaborador hubiese sido advertido de la posibilidad de tales daños.

9. Aceptación de garantías o responsabilidad adicional.

Al redistribuir la obra o las obras derivadas de la misma, usted podrá ofrecer y cobrar por la aceptación de asistencia, garantías, indemnización u

otras obligaciones de responsabilidad o derechos en virtud de esta licencia. No obstante, al aceptar tales obligaciones, usted podrá actuar solamente en su propio nombre y bajo su propia responsabilidad, no en nombre de ningún otro colaborador, y solamente si usted accede a indemnizar, defender y eximir a cada colaborador de cualquier tipo de responsabilidad o disputas contra dicho colaborador como resultado de su aceptación de tales garantías o responsabilidades adicionales. FIN DE LOS TÉRMINOS Y CONDICIONES

Sisukord

Sissejuhatus.....	153	Transportimine, hoiulepanek ja utiliseerimine.....	166
Ohutus.....	155	Tehnilised andmed.....	166
Kokkupanek.....	161	Lisavarustus.....	168
Töö.....	162	Vastavusdeklaratsioon.....	169
Hooldamine.....	164	Litsentsid.....	170
Veaotsing.....	165	Lisa	507

Sissejuhatus

Toote kirjeldus

Husqvarna Aspire T28-P4A on elektrimootoriga akutoitel murutrimmer.

Me teeme pidevalt tööd, et tõsta teie ohutust ja tõhusust töötamisel. Lisateabe saamiseks võtke ühendust hooldusesindajaga.

Kasutusotstarve

Toodet kasutatakse trimmeripeaga muru pügamiseks. Ärge kasutage toodet muul otstarbel kui muru pügamiseks, rohu niitmiseks ja metsa puhastamiseks.

Toote tutvustus

(Joon. 1)

1. Trimmeripea
2. Lõikeosa kaitse
3. Taimede kaitse
4. Varre reguleerimine (teleskoop)
5. Vars
6. Silmuskäepide
7. Hoolduskate
8. Silmuskäepideme reguleerimisnupp
9. Kasutajaliides
10. Hoiatusnäidik
11. Laetustaseme indikaator
12. Nupp ON/OFF
13. Toitelüliti
14. Toitelüliti lukustus
15. Aku (P4A 18-B45)

Märkus: Riiklikud õigusaktid võivad selle toote kasutamist piirata.

Lühijuhend

Skaneerige QR-kood, et saada nõu toote kasutamise kohta.

(Joon. 20)

16. Aku vabastamise nupp
17. Aku (P4A 18-B72)
18. Akulaadija (P4A 18-C70)
19. Pistik
20. Toite sisselülituse ja hoiatuse indikaator
21. Kombitööriist
22. Seinakonks
23. Seinakonksu kruvid ja seinakorgid
24. Kasutusjuhend

Sümbolid tootel

(Joon. 2) HOIATUS! Toode võib olla ohtlik ja põhjustada kasutaja või kõrvaliste isikute ohtliku kehavigastuse või surma. Olge ettevaatlik ja kasutage toodet õigesti.

- (Joon. 3) Enne toote kasutamist lugege kasutusjuhend hoolikalt läbi ja veenduge, et kõik juhised oleksid täiesti arusaadavad.
- (Joon. 4) Kasutage kaitseprille.
- (Joon. 5) Ärge jätke vihma kätte.
- (Joon. 6) Müraremissioonidele viitav keskkonnasilt vastavalt ELi ja UK direktiividele ja määrustele ja Uus Lõuna-Walesi õigusaktile „Protection of the Environment Operations (Noise Control) Regulation 2017“. Toote garanteeritud helivõimsuse taseme andmed leiate jaotisest *Tehnilised andmed lk 166*.
- (Joon. 7) Enne hooldamist ühendage aku lahti.
- (Joon. 8) Toode või toote pakend ei kuulu olmejäätmete hulka. Toimetage see elektri- ja elektroonikajäätmete vastuvõtupunkti.
- (Joon. 9) Olge tähelepanelik eemalepaiskuvate esemete suhtes.
- (Joon. 10) Ärge kasutage metallist löiketerasid.
- (Joon. 11) See seade vastab kehtivatele EL-i direktiividele.
- (Joon. 12) See toode vastab kehtivatele Ühendkuningriigi eeskirjadele.
- (Joon. 13) Alalisvool.
- (Joon. 17) Masina ja kõrvalseisjate vaheline kaugus peab olema vähemalt 15 m.
- aaaannxxxx** Seerianumbri leiate andmesildilt või lasertrükkiselt. **aaaa** on tootmis- ja **nn** on tootmisnädal.
- (Joon. 4) Kasutage kaitseprille.
- (Joon. 5) Ärge jätke vihma kätte.
- (Joon. 6) Keskkonna müraremissioonide märgis ELi (sealhulgas New South Walesi õigusaktid) ja Ühendkuningriigi õigusaktide järgi. Mürataseme andmed on toodud seadme sildil ja tehniliste andmete peatükis.
- (Joon. 7) Enne hooldamist ühendage aku lahti.
- (Joon. 8) Toode või toote pakend ei kuulu olmejäätmete hulka. Toimetage see elektri- ja elektroonikajäätmete vastuvõtupunkti.
- (Joon. 9) Olge tähelepanelik eemalepaiskuvate esemete suhtes.
- (Joon. 10) Ärge kasutage metallist löiketerasid.
- (Joon. 11) See seade vastab kehtivatele EL-i direktiividele.
- (Joon. 13) Alalisvool.
- (Joon. 17) Masina ja kõrvalseisjate vaheline kaugus peab olema vähemalt 15 m.
- aaaannxxxx** Seerianumbri leiate andmesildilt või lasertrükkiselt. **aaaa** on tootmis- ja **nn** on tootmisnädal.

Akul ja/või akulaadijal olevad sümbolid

- (Joon. 2) HOIATUS! Toode võib olla ohtlik ja põhjustada kasutaja või kõrvaliste isikute ohtliku kehavigastuse või surma. Olge ettevaatlik ja kasutage toodet õigesti.
- (Joon. 3) Enne toote kasutamist lugege kasutusjuhend hoolikalt läbi ja veenduge, et kõik juhised oleksid täiesti arusaadavad.
- (Joon. 17) Masina ja kõrvalseisjate vaheline kaugus peab olema vähemalt 15 m.
- aaaannxxxx** Seerianumbri leiate andmesildilt või lasertrükkiselt. **aaaa** on tootmis- ja **nn** on tootmisnädal.
- (Joon. 18) Toimetage seade elektri- ja elektroonikajäätmete ringlussevõtukeskusesse. (Kehtib vaid Euroopas)
- (Joon. 19) Kasutage akut ainult POWER FOR ALL süsteemi partnerite toodetes.
- (Joon. 14) Tõrkekindel trafo.
- (Joon. 15) Kasutage ja hoiustage akulaadijat ainult siseruumides.
- (Joon. 16) Topeltisolatsioon.

Toote kahjustused

Me ei vastuta meie tootele tekitatud kahjude eest, kui:

- toodet on valesti parandatud;
- toote parandamisel on kasutatud osi, mis ei ole tootja poolt valmistatud või heaks kiidetud;
- tootel on kasutatud tarvikut, mis ei ole tootja poolt valmistatud või heaks kiidetud;

- toodet ei ole parandatud volitatud hoolduskeskuses või volitatud isiku poolt.

Tootja

Husqvarna AB

SE-561 82, Huskvarna, Sweden

Ohutus

Ohutuse määratlused

Mõistetega „hoiatus“, „ettevaatus“ ja „märkus“ juhitakse tähelepanu eriti olulistele kohtadele kasutusjuhendis.



HOIATUS: Tähistab kasutusjuhendi juhiste eiramise korral kasutaja või kõrvalseisjate kehavigastuse või surmaga lõppeva õnnetuse ohtu.



ETTEVAATUST: Tähistab kasutusjuhendi juhiste eiramise korral seadme, muude esemete või läheduses asuvate objektide kahjustamise ohtu.

Märkus: Tähistab antud olukorras vajalikku lisateavet.

Üldised ohutusalsed märkused elektritööriistade kohta



HOIATUS: Lugege kõik ohutusalsed hoiatused ja kõik juhised läbi. Hoiatuste ja juhiste eiramine võib põhjustada elektrilöögi, tulekahju ja/või raskeid vigastusi.

Märkus: Hoidke kõik ohutusalsed märkused ja juhised edasiseks kasutamiseks alles. Märkustes kasutatud elektritööriista mõiste tähistab võrgutoitel (juhtmega) elektritööriista või akutoitel (juhtmeta) elektritööriista.

Käivitamiseelne kontroll

- Eemaldage alati aku, et seade juhuslikult ei käivituks. Enne seadme hooldamist tuleb aku alati eemaldada.
- Enne seadme kasutamist ning pärast löögi saamist tuleb kontrollida kulumis- ja kahjustusjälgid ning seadet vajadusel remontida.
- Vaadake üle tööpiirkond. Kõrvaldage kõik lahtised esemed, nagu kivid, klaasikillud, naelad, traadid, nõör ja muu taoline, mis võivad välja paiskuda või lõikurisse või lõikuri piirdesse kinni jääda.

- Kontrollige, ega mootor pole määrdunud või mõranenud. Eemaldage mootorist harja abil muru ja lehed. Vajaduse korral tuleb kanda kindaid.
- Kontrollige, et trimmeripea oleks täielikult trimmeri külge kinnitatud.
- Kontrollige, et seade oleks töökorras. Kontrollige, et kõik mutrid ja kruvid oleksid korralikult pingutatud.
- Kontrollige trimmeripead ja kaitsekate kahjustuste ja mõrade osas. Kui on näha pragusid või vigastusi, vahetage trimmeripea ja kaitsekate välja. Kasutage ettenähtud lõikeosa kaitsekate. Vt peatükki Tehnilised andmed.
- Seadme kasutaja peab veenduma, et inimesed ja loomad oleksid seadmega töötamise ajal vähemalt 15 meetri kaugusel. Kui samas kohas töötab mitu kasutajat, peab nende ohutusvahemaa olema vähemalt 15 meetrit.
- Enne kasutamist tehke seadmele üldine ülevaatus. Järgige hoolduskeemi.
- Kasutamist võivad piirata riiklikud või kohalikud seadused. Järgige kõiki määrusi.

Tööala ohutus

- **Hoidke tööala puhas ja tagage hea valgustus.** Segamini või hämarad alad on õnnetuseallid.
- **Ärge kasutage elektritööriistu plahvatusohtlikus keskkonnas, näiteks tuleohtlike vedelike, gaaside või tolmu läheduses.** Elektritööriistad võivad tekitada sädemeid, mis võivad tolmu või gaasid süüdata.
- **Hoidke elektritööriista kasutamise ajal lapsed ja kõrvalseisjad tööalast eemal.** Tähelepanu hajumine võib põhjustada kontrolli kaotamist.

Elektriõhutus

- **Elektritööriista pistikud peavad sobima pistikupessa. Ärge muutke pistikut mis tahes viisil. Ärge kasutage maandusega elektritööriistade puhul adapterpistikuid.** Muutmata pistikud ja sobivad pistikupesad vähendavad elektrilöögi ohtu.
- **Välti kehalist kokkupuudet maandatud pindadega (nt torud, radiaatorid, elektriliidid ja külmikud).** Keba maandamise korral on elektrilöögi oht suurem.
- **Vältige elektritööriistade kokkupuudet vihma ja märgade tingimustega.** Tööriista pääsenud vesi suurendab elektrilöögi saamise ohtu.
- **Kasutage juhete õigesti. Ära kunagi kasuta juhete elektritööriista kandmiseks, tõmbamiseks**

või pistikupesast eemaldamiseks. Kaitske juhete kuumuse, õli, teravate servade ja liikuvate osade eest. Kahjustatud või sõlmes juhe suurendab elektrilöögi ohtu.

- **Elektritööriistaga õues töötamisel kasuta välistingimustes kasutamiseks sobivat pikendusjuhet.** Välistingimustes kasutamiseks sobiva pikendusjuhtme kasutamine vähendab elektrilöögi ohtu.
- **Kui elektritööriista kasutamine niiskes keskkonnas on vältimatu, kasutage rikkevoolukaitsmega (RCD) kaitsitud toidet.** RCD kasutamine vähendab elektrilöögi ohtu.

Inimeste kaitsmine

- **Olge elektritööriista kasutamisel tähelepanelik, jälgige oma tegevust ja kasutage tervet mõistust.** Ärge kasutage elektritööriista, kui olete väsinud või uimas, alkoholi või ravimite mõju all. Hetkeline tähelepanematus elektritööriistade kasutamise ajal võib lõppeda tõsiste kehavigastustega.
- **Kasutage isikukaitselahendusi.** Kasutage alati kaitseprille. Asjakohastes tingimustes kaitsevahendite (nt tolmumask, mittelibisevad turvajalatsid, kiiver või kõrvaklapid) kasutamine vähendab kehavigastuste ohtu.
- **Vältige soovimatut käivitumist.** Enne seadme ühendamist toiteallika või akuga, üles tõstmist või kandmist veenduge, et lüliti on väljalülitatud asendis. Kui kannate elektritööriista nii, et teie sõrm on toitelülilil, või pingestate lülitiga varustatud elektritööriista, võib see lõppeda õnnetusega.
- **Eemaldage enne elektritööriista sisselülitamist kõik reguleerimis- ja mutrivõtmed.** Elektritööriista pöörleva osa külge jäetud mutri- vm võti võib põhjustada kehavigastusi.
- **Ärge küünitage liiga kaugele.** Säilitage kogu aeg kindel jalgeaalune ja tasakaal. See annab ootamatutes olukordades parema kontrolli elektritööriista üle.
- **Kandke nõuetekohaseid riideid.** Ärge kandke lahtiseid rõivaid ega ehteid. Hoidke juuksed ja rõivad liikuvatest osadest eemal. Lahtised rõivad, ehted või pikad juuksed võivad liikuvate osade vahele kinni jääda.
- **Kui seadmetel on ühendus tolmueemaldus- ja kogumisseadmete jaoks, veenduge, et need on ühendatud ja neid kasutatakse õigesti.** Tolmukogumise kasutamise abil saab vähendada tolmuga seotud ohte.
- **Ärge muutuge tööriistade sagedasest kasutusest hooletuks ja ärge ignoreerige tööriistade ohutu kasutamise põhimõtteid.** Hooletu tegevus võib ka murdosa sekundi jooksul põhjustada tõsiseid kehavigastusi.
- **Sõltuvalt tööriista kasutusviisist võib mootortööriista kasutamise ajal tekkiv vibratsioon seadme dokumentatsioonis esitatud koguväärtusest erineda.** Kasutajad peaksid välja selgitama isikukaitsemeetmed, mis põhinevad eeldatavatel

tegelikel töötingimustel (arvestada tuleb töotsükli kõiki etappe – lisaks täisvõimsusega töötamisele loeb ka see aeg, mil seade on välja lülitatud, ja see aeg, kui seade töötab tühikäigul).

Elektritööriista kasutamine ja hooldamine

- **Ärge suruge elektritööriista jõuga. Kasutage rakenduse jaoks asjakohast elektritööriista.** Õige elektritööriist teeb töö ära paremini, ohutumalt ja ettenähtud kiirusel.
- **Ärge kasutage elektritööriista, kui lüliti vajutamisel ei lülitu seade sisse ega välja.** Mis tahes elektritööriist, mida pole võimalik juhtida, on ohtlik ja tuleb viivitamatult parandada.
- **Enne elektritööriista reguleerimist, tarvikute vahetamist või hoolepanekut eemalda pistik toiteallikast ja/või eemalda elektritööriista küljest aku, kui see on eemaldatav.** Taolised ennetavad ohutusmeetmed vähendavad elektritööriista tahtmatu käivitamise ohtu.
- **Hoidke elektritööriista, mida te parasjagu ei kasuta, lastele kättesaamatus kohas ja ärge lubage elektritööriista kasutada isikutel, kes ei oska seda kasutada või pole neid juhiseid läbi lugenud.** Elektritööriistad on koolitamata kasutajate käes ohtlikud.
- **Elektritööriista ja tarvikuid tuleb hooldada.** Kontrollige liikuvate osade joondust ja kinnitusi, osade purunemist või muid tööriista kasutamist mõjutavaid võivaid tegureid. Kahjustuse korral laske elektritööriista enne kasutamist remontida. Paljude õnnetuste põhjuseks on halvasti hooldatud elektritööriistad.
- **Hoidke löikevahendid teravad ja puhtad.** Nõuetekohaselt hooldatud teravate löikeservadega löikevahendite kinnikilumise tõenäosus on väiksem ja neid on hõlpsam juhtida.
- **Järgige elektritööriista, tarvikute, tööriistaotsikute jm kasutamisel neid juhiseid ning arvestage töötingimuste ja -ülesandega.** Elektritööriista kasutamine muuks kui ettenähtud otstarbeks võib põhjustada ohtliku olukorra.
- **Hoidke käepidemed ja haardepinnad kuivad, puhtad ning õli- ja määrdevabad.** Libedate käepidemete ja haardepindade korral ei ole ootamatutes olukordades võimalik tööriista ohutult käsitseda ja juhtida.

Akutööriistade kasutamine ja hooldamine

- **Kasutage laadimiseks ainult tootja soovitatud laadijat.** Ühte tüüpi aku laadimiseks sobiv laadija võib koos teist tüüpi akuga kasutades tuleohtu põhjustada.
- **Kasutage toodetega vaid spetsiaalselt neile loodud akusid.** Teisi akukogumeid kasutades riskite vigastuste ja tulekahjuga.
- **Kui aku pole hetkel kasutuses, hoidke seda eemal teistest metall-esemetest (nt kirjajklambrid, mündid, võtmed, naelad, kruvid vms väiksed metall-esemed), mis võiksid akuklemme omavahel ühendada.**

Akuklemmide lühistamine võib põhjustada põletushaavu või tulekahju.

- **Väärkasutamise korral võib akut vedelikku lekkida; vältige kokkupuudet. Kokkupuute korral loputage kannatada saanud kohta veega. Kui vedelik satub silma, loputage silma veega ja pöörduge arsti poole.** Akust lekkinud vedelik võib põhjustada ärritust või põletushaavu.
- **Ärge kasutage defektselt või muudetud akut või tööriista.** Kahjustatud või muudetud akut võivad käituda ettearvamatult ning põhjustada tule-, plahvatus- või vigastusohtu.
- **Ärge laske akul või tööriista puutuda kokku tulega või liiga kõrgete temperatuuridega.** Kokkupuude üle 130 °C temperatuuriga võib põhjustada plahvatus.
- **Järgige kõiki laadimisjuhiseid ja ärge vahetage akut või tööriista temperatuuril, mis jääb väljapoole juhistes kirjeldatud temperatuurivahemikku.** Aku laadimine valesti või väljaspool selleks ettenähtud temperatuurivahemikku võib akut kahjustada ja suurendada tuleohtu.

Hooldus

- **Laske elektritööriista hooldada vastava väljaõppega remontijal, kes tohib kasutada ainult identseid asendusosi.** See tagab elektritööriista ohutuse säilimise.
- **Ärge kunagi hooldage kahjustatud akusid.** Akusid võivad hooldada üksnes tootja või volitatud teenusepakkujad.

Tegutsege alati tervet mõistust arvestades.

Kõiki olukordi, mis võivad seadme käitamisel ette tulla, ei ole võimalik kirjeldada. Olge alati ettevaatlik ja kasutage tervet mõistust. Vältige olukordi, millega te ei pruugi toime tulla. Kui te pärast selle juhendi läbilugemist tunnete veel ebakindlust, küsige enne jätkamist nõu asjatundjalt.



HOIATUS: Ärge laske lapsi seadme lähedale ega seadet kasutada! Et seadet on lihtne käivitada, võivad lapsed selle käivitada, kui neid piisavalt ei jälgita. See tähendab raskete vigastuste tekke ohtu. Sellepärast tuleb seadmelt eemaldada aku, kui seade jääb valveta.

Üldised ohutuseeskirjad



HOIATUS: Enne toote kasutamist lugege läbi järgmised hoiatused.

- Eemaldage alati aku, et seade juhuslikult ei käivituks.
- Toode on ohtlik, kui kasutate seda valesti või ettevaatamatult. Toode võib tekitada kasutajale või teistele raske või surmava kehavigastuse.

- Ärge kasutage seadet, kui selle algseid tehnilisi näitajaid on muudetud. Ärge muutke seadme ühtki osa ilma tootja heakskiiduta. Kasutage ainult tootja heaks kiidetud osi. Vale hooldamise tagajärjeks võib olla kehavigastus või surm.
- Kontrollige seadet enne kasutamist. Vt jaotist *Käivitamiseelne kontroll lk 155* ja *Enne toote kasutamist lk 162*. Ärge kasutage toodet, mis on kahjustatud või mis ei tööta korralikult. Järgige seadet kontrollides ja hooldades seadme kasutusjuhendi nõudeid.
- Lapsi tuleb jälgida, et nad tootega ei mängiks. Ärge kunagi lubage seadet ega akut kasutada või hooldada lastel ega teistel isikutel, kes pole seadme ja/või aku kasutamise koolitust saanud. Kohalike õigusaktidega võidakse piirata kasutaja vanust.
- Hoidke seadet lukustatud kohas, kus sellele ei pääse juurde lapsed ega volitamata isikud.
- Hoidke seadet lastele kättesaamatus kohas.
- Seadme algset konstruktsiooni ei tohi muuta ilma tootja loata. Kasutage alati originaalvarvikuid. Lubamatud muudatused ja varuosad võivad põhjustada kasutaja ja teiste isikute raskeid või isegi eluohtlikke kehavigastusi.

Märkus: Kasutamist võivad piirata riiklikud või kohalikud määrused. Järgige kõiki määrusi.

Ohutusjuhised kasutamisel



HOIATUS: Enne toote kasutamist loe läbi järgnevad hoiatused.

- **Ärge kasutage masinat halva ilmaga (eelkõige äikesetormi ajal).** See vähendab pikselöögi ohtu.
- **Kontrollige põhjalikult, kas masina kasutuskohas on elusloodust.** Masin võib töötades elusloodust kahjustada.
- **Kontrollige hoolikalt masina kasutuskohta ning eemaldage sealt kõik kivid, oksad, traadid, kondid ja muud võõrkehad.** Õhku paiskuvad esemed võivad põhjustada kehavigastusi.
- **Enne masina kasutamist kontrollige alati visuaalselt, et lõiketera ja selle koost ei oleks kahjustatud.** Kahjustatud osad suurendavad vigastuste ohtu.
- **Hoidke kaitsemed paigaldatuna. Kaitsemed peavad olema töökorras ja õigesti paigaldatud.** Kaitse, mis on lahti tulnud, kahjustunud või ei tööta korralikult, võib tekitada kehavigastusi.
- **Hoidke kõik jahutusõhu sisselaskeavad prahist puhtad.** Blokeeritud õhu sisselaskeavad ja prahit võivad põhjustada ülekuumenemist või tuleohtu.
- **Kandke alati kaitseprille ja kuulmiskaitset.** Sobivad kaitsevahendid vähendavad kehavigastusi.
- **Kandke masina kasutamisel alati libisemiskindlaid kaitsejalatseid. Ärge kasutage masinat paljajalu või lahtiste sandaalidega.** See vähendab liikuva lõiketeraga kokkupuutel jalalabade vigastuste ohtu.

- **Kandke alati rõivaid, näiteks pükse, mis katavad masina kasutamise ajal kasutaja jalad.** Kokkupuude liikuva lõiketera või jõhviga võib tekitada vigastusi.
- **Hoidke kõrvalised isikud masinaga töötamise ajal eemale.** Paiskuv praht võib tekitada raskeid kehavigastusi.
- **Ärge kasutage masinat vöökohast kõrgemal.** See aitab vältida tahtmatut kokkupuudet lõiketeraga ja tagab teile ootamatutes olukordades masina üle parema kontrolli.
- **Kasutage masinat märjas rohus ettevaatlikult. Kõndige ja ärge kunagi jookske.** See vähendab libisemis- ja kukkumisohtu, mis võib lõppeda kehavigastusega.
- **Ärge kasutage masinat liiga järskudel kallakutel.** See vähendab kontrolli kaotamise ning libisemis- ja kukkumisohtu, mis võib lõppeda kehavigastusega.
- **Kallakul töötades tagage alati kindel asend, töötage masinaga risti üle kallaku, mitte otse üles või alla, ning olge suuna muutmisel äärmiselt ettevaatlik.** See vähendab kontrolli kaotamise ning libisemis- ja kukkumisohtu, mis võib lõppeda kehavigastusega.
- **Hoidke kõik toitejuhtmed ja -kaablid lõikealast eemale.** Hekis või pöösas olev toitejuhe või -kaabel võib jääda varjatuks ning jõhv või lõiketera võib seda kogemata lõigata või kahjustada.
- **Hoidke kõik kehaosad trimmeri liikuvast lõiketerast või jõhvist eemale. Ärge eemaldage materjali masinast enne, kui see on toiteallikast lahti ühendatud.** Trimmeri liikuv lõiketera või jõhv võib tekitada raskeid kehavigastusi.
- **Kandke masinat nii, et masin on välja lülitatud ja kehas eemal.** Masina õige käsitsemine vähendab trimmeri liikuva lõiketera või jõhviga juhusliku kokkupuute tõenäosust.
- **Kasutage asenduseks ainult tootja ettenähtud lõikepäid ja trimmeri lõiketera või jõhve. Ärge asendage trimmeri lõiketera või jõhvi metalltraatide ega -teradega.** Valed varuosad võivad põhjustada kontrolli kaotamise, purunemise ja vigastuse.

Isikukaitsevahendid



HOIATUS: Enne toote kasutamist loe läbi järgnevad hoiatused.

- Seadmega töötamisel tuleb kasutada ettenähtud isikukaitsevarustust. Isikukaitsevarustus ei välista täielikult kehavigastuste ohtu, kuid vähendab õnnetusjuhtumi korral kehavigastuse raskusastet. Õige varustuse valimiseks pöörduge edasimüüja poole.
- Kanna heakskiidetud kõrvaklappe.

(Joon. 21)

- Kanna heakskiidetud kaitseprille. Näokaitsme kasutamisel tuleb lisaks kasutada heakskiidetud kaitseprille. Heakskiidetud kaitseprillide all mõeldakse selliseid prille, mis vastavad standardile

ANSI Z87.1 USA-s või EN 166 Euroopa Liidu riikides.

(Joon. 22)

- Vajaduse korral kandke kindaid, näiteks lõikeosa kinnitades, kontrollides või puhastades.

(Joon. 23)

- Kandke terasest varbakatete ja libisemist takistavate taldadega kaitseasaapid.

(Joon. 24)

- Kandke vastupidavast materjalist riideid. Kandke alati pikki raskeid pükse ja pikki varrukaid. Hoiduge liiga avaratest rõivastest, mis võivad okstesse takerduda. Ärge kandke ehteid, lühikesi pükse ega sandaale. Ärge kasutage seadet paljajalu. Kinnitage juuksed ohutult õlgadest kõrgemale.
- Hoia esmaabikomplekti kättesaadavas kohas.

(Joon. 25)

Toote ohutuseseadised



HOIATUS: Enne toote kasutamist lugege läbi järgmised hoiatused.

Selles alalõigus kirjeldatakse masina turvavarustust, selle otstarvet ning kuidas läbi viia kontrollid ja hooldust, tagamaks masina nõuetekohane töö. Vaadake pealkirja all olevaid juhiseid, *Sissejuhatus lk 153* et teada saada, kus need osad teie tootel asuvad.

Kui seadet ei hooldata õigesti ja korrapäraselt ning seadet ei paranda asjatundja, võib seadme tööiga lüheneda ja tekkida õnnetuste oht. Kui vajate täiendavat infot, pöörduge lähimasse teenindusse.



HOIATUS: Ärge kunagi kasutage toodet, mille turvavarustus on kahjustatud. Ohutusvarustust tuleb käesolevas lõigus toodud eeskirjade kohaselt hooldada ja kontrollida. Kui seade ei vasta ohutusnõuetele, laske see parandada hooldustöökojas.



ETTEVAATUST: Seadme hooldus ja parandamine nõuab eraldi väljaõpet. Eriti oluline on see seadme ohutusvarustuse puhul. Kui seade ei vasta allpool toodud nõuetele, viige see hoolduspunkti. Meie toodetele on tagatud professionaalne hooldus ja parandus. Kui seadme edasimüüja ei tegele hooldusega, paluge tal juhatada teid lähimasse hoolduspunkti.

Kasutajaliidese kontrollimiseks toimige järgmiselt

Rohelised LED-tuled (A) näitavad aku olekut, kui toode on sisse lülitatud, kuid ei tööta.

1. Vajutage pikalt nuppu ON/OFF (B). (Joon. 26)

- a) Kui LED-tuled (A) põlevad, on seade sisse lülitatud.
 - b) Seade on välja lülitatud siis, kui rohelised LED-tuled ei põle.
2. Vt jaotist *Veaotsing lk 165* Kui hoiaatusindikaator (C) süttib või vilgub.

Toitelüliti lukustuse kontrollimine

Toitelüliti lukustusfunktsioon väldib seadme juhuslikku käivitamist. Kui lükkate toitelüliti luku (A) alla, vabaneb toitelüliti (B). Käepidemest lahti laskmise korral naasevad nii toitelüliti kui ka toitelüliti lukustus algasendisse.

(Joon. 27)

1. Jälgige, et toitelüliti oleks lüliti lukustuse algasendis lukustatud.

(Joon. 28)

2. Vajutage toitelüliti ja veenduge, et vabastamise korral liiguks see tagasi algasendisse.

(Joon. 29)

3. Veenduge, et toitelüliti ja toitelüliti lukustus liiguksid takistamatult ning tagastusvedru töötaks õigesti.

(Joon. 30)

4. Käivitage seade. Vt jaotist *Toote käivitamine lk 163*.
5. Vabastage toitelüliti ja veenduge, et lõikeosa peatuks täielikult.

Lõikeosa kaitsme kontrollimine



HOIATUS: Ärge kasutage lõikeosa ilma heakskiidetud ja õigesti kinnitatud lõikeosa kaitsmeta. Kasutage alati lõikeosa kaitset, mis on ette nähtud just selle lõikeosa jaoks, mida te kasutate, vt *Tehnilised andmed lk 166*. Vale või vigane lõikeosa kaitse võib põhjustada raskeid kehavigastusi.

Lõikeosa kaitse takistab esemete paiskumist seadmekasutaja suunas. Samuti aitab see ära hoida kehavigastusi, mida võib tekitada lõikeosa puudutamine.

1. Seisake mootor.
2. Otsige kahjustusi, näiteks pragusid.
3. Kui lõikeosa kaitse on kahjustunud, vahetage see välja.

Lõikeosa

Valige õige lõikeosa ja hooldage lõikeosa selleks, et:

- tagada seadme maksimaalne jõudlus;
- pikendada lõikeosa tööiga.



HOIATUS: Lõikeosa tohib kasutada ainult koos selleks ette nähtud kaitsekattega! Juhiseid vt jaotisest *Tehnilised andmed lk 166*. Lõikeosa kasutusjuhendist leiate teavet trimmerijõhvi õige paigaldamise ja õige läbimõõduga trimmerijõhvi valimise kohta.



HOIATUS: Defektne lõikeosa võib suurendada õnnetuste ohtu.

Trimmeripea



HOIATUS: Kahjuliku vibratsiooni ärahoidmiseks veenduge alati, et trimmijõhvi oleks keritud trumlile ühtlaselt ja tugevalt.

(Joon. 31)

- Kasutage ainult soovitatud trimmipäid ja -jõhve.
- Kasutage ainult soovitatud lõikeosa.
- Väiksemad seadmed nõuavad väiksemaid trimmipäid ja vastupidi.
- Tähtis on jõhvi pikkus. Sama läbimõõduga pikem jõhv nõuab võimsamat mootorit kui lühike jõhv.
- Kontrollige, et trimmerikaitse peal asetsev nuga ei oleks kahjustatud ega kadunud. Nuga löikab trimmijõhvi, et selle pikkus oleks õige.
- Trimmijõhvi tööea pikendamiseks leotage seda enne kasutamist paar päeva vees.

Aku ohutus



HOIATUS: Lugege läbi kõik ohutus- ja üldjuhised. Ohutus- ja üldjuhiste eiramine võib põhjustada elektrilöögi, tulekahju ja/või ohtlikke kehavigastusi. **Hoidke kogu ohutusteave ja üldjuhised edaspidiseks kasutamiseks alles.**

- **Need ohutusjuhised kehtivad ainult POWER FOR ALL süsteemi 18 V liitium-ioonakudele.**
- **Kasutage laetavat akut ainult POWER FOR ALL süsteemi partnerite toodetes.** POWER FOR ALL märgisega 18 V laetavad akud ühilduvad täielikult järgmiste toodetega:
 - Kõik 18V POWER FOR ALL akusüsteemi tooted.
 - Kõik POWER FOR ALL süsteemi partnerite 18 V tooted.
- **Järgige oma toote kasutusjuhendis toodud aku soovitusi.** Ainult nii saab laetavat akut ja toodet ohutult kasutada ning akusid kaitsta ohtliku ülekoormuse eest.
- **Laadige akusid ainult tootja või POWER FOR ALL süsteemi partneri soovitatud laadljatega.** Üht tüüpi

akudele sobiv laadija võib põhjustada tuleohtu, kui seda kasutatakse koos erineva akuga.

- **Aku on ostuhetkel osaliselt laetud.** Aku täismahutavuse tagamiseks laadige aku laadijas täielikult enne, kui elektrilist tööriista esimest korda kasutate.
- **Hoidke akud lastele kättesaamatus kohas.**
- **Ärge võtke akut lahti.** Esineb lühise oht.
- **Kahjustuste ja aku ebaõige kasutamise korral võivad eralduda aaurud.** Aku võib süttida või plahvatada. Veenduge, et ala on hästi ventileeritud ja kui teie tervises esineb kõrvalnähte, pöörduge arsti poole. Aaurud võivad ärritada hingamisteid.
- **Kui akut kasutatakse valesti või aku on kahjustatud, võib akut pritsida tuleohtlikku vedelikku.** Vältige kokkupuudet selle vedelikuga. Juhusliku kokkupuute korral loputage kokkupuutekohta veega. Kui vedelik satub silma, pöörduge arsti poole. Akust lekkinud vedelik võib põhjustada ärritust või põletushaavu.
- **Kui aku on kahjustatud, võib vedelik välja pritsida ja imbuda läheduses olevate pindadele.** Kontrollige mõjutatud osi. Puhastage need osad või vahetage vajadusel välja.
- **Akuid ei tohi lühistada.** Kui aku pole hetkel kasutuses, hoidke seda eemal teistest metalliesemetest (nt kirjaklambrid, mündid, võtmed, naelad, kruvid vms väiksed metalliesemed), mis võiksid akuklemme omavahel ühendada. Akuklemme lühistamine võib põhjustada põletushaavu või tulekahju.
- **Akut võivad kahjustada teravad esemed (nt naelad või kruvikeerajad) või väljastpoolt rakendatav jõud.** Võib tekkida sisemine lühis, mis põhjustab aku põlemise, suitsemise, plahvatuse või ülekuumenemise.
- **Ärge kunagi hooldage kahjustatud akusid.** Akusid võivad hooldada üksnes tootja või volitatud teenusepakkujad.
- **Kaitske akut kuumuse eest, nt pideva intensiivse päikesevalguse, tule, mustuse, vee ja niiskuse eest.** Esineb plahvatus- ja lühiseoht.
- **Kasutage toote akut üksnes juhul, kui õhutemperatuur on vahemikus -5 °C — 40 °C.**
- **Hoidke akut ainult temperatuuril vahemikus -20 °C — 50 °C.** Ärge jätke akut näiteks suvel autosse. Kui temperatuur on alla 0 °C, võib mõnel seadmel võimsus väheneda.
- **Laadige akut ainult õhutemperatuuril, mis jääb vahemikku 0 °C — 35 °C.** Väljaspool seda temperatuurivahemikku laadimine võib suurendada aku kahjustamise ohtu ja põhjustada tuleohtu.

Akulaadija ohutus



HOIATUS: Lugege läbi kõik ohutus- ja üldjuhised. Ohutus- ja üldjuhiste eiramine võib põhjustada elektrilöögi, tulekahju ja/või ohtlikke kehavigastusi. **Hoidke neid juhiseid kindlas kohas.** Kasutage laadijat ainult siis,

kui saate kõiki funktsioone täielikult hinnata ja piiranguteta teostada või kui olete saanud vastavad juhised.

- **Jälgige lapsi seadme kasutamise, puhastamise ja hoolduse ajal.** Nii ei saa lapsed laadijaga mängida.
- **Laadige ainult POWER FOR ALL süsteemi 18 V liitiumioonakusid, mille võimsus on 1,5 Ah või rohkem (5 akuelementi või rohkem).** Aku pinge peab ühtima laadija aku laadimispingega. Ärge laadige mitlaetavaid akusid. Vastasel juhul tekib tulekahju- ja plahvatusoht.
- **Ärge laske laadijal kokku puutuda vihma ega niiskusega.** Tööriista pääsenud vesi suurendab elektrilöögi ohtu.
- **Hoidke laadija puhas.** Mustus tekitab elektrilöögi ohtu.
- **Enne kasutamist kontrollige alati laadijat, kaablit ja pistikut.** Lõpetage laadija kasutamine, kui leiate kahjustusi. Ärge avage laadijat ise ja laske seda parandada ainult kvalifitseeritud spetsialistil, kasutades ainult originaalvaruosi. Kahjustatud laadijad, kaablid ja pistikud suurendavad elektrilöögi ohtu.
- **Ärge kasutage laadijat kergesti süttival pinnal (nt paber, tekstiil jne) ega tuleohtlikus keskkonnas.** Laadija kuumeneb töötamise ajal ning tekitab tulekahjuohtu.
- **Kasutage laadimiseks ainult tootja soovitatud laadijat.** Ühte tüüpi aku laadimiseks sobiv laadija võib koos teist tüüpi akuga kasutades tuleohtu põhjustada.
- **Kahjustuste ja aku ebaõige kasutamise korral võivad ka aaurud eralduda.** Veenduge, et ala on hästi ventileeritud ja kui teie tervises esineb kõrvalnähte, pöörduge arsti poole. Aaurud võivad ärritada hingamisteid.
- **Väärkasutamise korral võib akut vedelikku lekkida.** Vältige kokkupuudet selle vedelikuga. Juhusliku kokkupuute korral loputage kokkupuutekohta veega. Kui vedelik satub silma, pöörduge arsti poole. Akust lekkinud vedelik võib põhjustada ärritust või põletushaavu.
- **Ärge katke laadija ventilatsiooniväsi kinni.** Vastasel juhul võib laadija üle kuumeneda ja ei tööta enam korralikult.
- **Ohutusohutude vältimiseks peab toitejuhtme välja vahetama ainult Husqvarna või Husqvarna elektritööriistu remontima volitatud klienditeeninduskeskus.**
- **Ainult Ühendkuningriigis müüvad tooted:** Teie toode on varustatud BS 1363/A heakskiidetud sisemise kaitsmeka elektripistikuga (ASTA heakskiiduga BS 1362 järgi). Kui pistik ei sobi teie pistikupesaga, tuleb volitatud klienditeenindajal see ära lõigata ja selle asemele paigaldada sobiv pistik. Asenduspistiku kaitsme väärtus peab olema sama kui originaalpistikul. Katkestatud pistik tuleb võimaliku löögiohu vältimiseks kõrvaldada ja seda ei tohi kunagi mujale pistikupesasse ühendada.



HOIATUS: Südameseisak! Toode tekitab töötades elektromagnetvälja. Teatud tingimustel võib väli häirida aktiivsete või passiivsete meditsiiniliste implantaatide tööd. Kehavigastusi või surma põhjustada võivate tingimuste tekkimise ohu vähendamiseks soovime meditsiinilisi implantaate kasutataval inimestel pidada enne selle toote kasutamist nõu oma arsti ja implantaadi valmistajaga.



HOIATUS: Lämmisoht! Väikesed esemed võidakse kogemata alla neelata. Plastdetailid võivad põhjustada väikelaste lämbumist. Ärge lubage väikelapsi toote paigaldamiskoha lähedusse.

Ohutusjuhised hooldamisel



HOIATUS: Enne seadme hooldustööde tegemist lugege läbi järgnevad hoiatused.

- Eemaldage aku enne hooldustööde või muude kontrolltoimingute või seadme kokkupanemise alustamist.
- Seadme kasutaja tohib teha üksnes käesolevas kasutusjuhendis kirjeldatud hooldustöid. Mahukamate hooldustööde tegemiseks pöörduge hooldusesindusse.
- Ärge puhastage akut või akulaadijat veega. Tugevatoimeline pesuvahend võib kahjustada plastdetaili.
- Kui hooldustöid ei tehta, siis toote kasutusiga lüheneb ja õnnetuste oht kasvab.
- Kõigi hooldus- ja parandustööde tegemiseks (eriti seadme ohutusseadiste juures) on vajalik eriväljaõpe. Kui pärast hooldustööde tegemist ei läbi seade kõiki käesolevas kasutusjuhendis kirjeldatud kontrolltoiminguid, siis pöörduge hooldusesinduse poole. Garanteerime, et hooldusesinduses tehakse teie tootele professionaalsel tasemel remondi- ja hooldustöid.
- Kasutage ainult originaalvaruosi.

Kokkupanek

Sissejuhatus



HOIATUS: Enne toote kokkupanekut lugege ohutuspeatükki ja tehke selles olev teave endale arusaadavaks.

Trimmerikaitse kinnitamine

1. Seadke trimmerikaitse vastu mootori korpust. (Joon. 32)
2. Paigaldage kaks polti läbi mootori korpuse ja trimmerikaitse. (Joon. 33)
3. Pingutage polte.

Trimmeripea paigaldamine

1. Pöörake väljuvat võlli, kuni veoketta ava satub kohakuti ülekande avaga.
2. Paigaldage kombineeritud tööriisti aku, et völli lukustuks.
3. Keerake trimmeripead päripäeva. (Joon. 34)

Taimekaitse paigaldamine

1. Paigaldage taimekaitse mootori korpuses olevatesse aukudesse. (Joon. 35)

2. Veenduge, et taimede kaitse saab vabalt ette ja taha liikuda. (Joon. 36)

Konksu seinale paigaldamine

- Paigaldage konks siseruumidesse.
- Hoidke konksu päikesevalguse eest ja õhutemperatuuril -10°C kuni 70°C.
- Paigaldage konks kipsplaadile, puit- või betoonseinale.



ETTEVAATUST: Veenduge, et sein mahutab vähemalt 30 kg raskusi.

- Paigaldage konks 3 kruviga (A) seinale. Vajadusel kasutage seinakorke (B). (Joon. 37)



ETTEVAATUST: Veenduge, et kruvid sobivad teie seinatüübiga.

- Toote hoistamistarvikute kohta lisateabe saamiseks pöörduge Husqvarna teenindusagendi poole.

Töö

Sissejuhatus



HOIATUS: Enne toote kasutamist lugege läbi ohutuspeatükk ja veenduge, et oleksite kõigest aru saanud.

Enne toote kasutamist

- Vaadake tööpiirkond üle ja veenduge, et pinnareljeef on teile tuttav. Kontrollige maapinna kallet ja seda, kas leidub takistusi, nt kive, oksa ja kraave.
- Vaadake seade üldiselt üle.
- Teostage selles juhendis toodud ohutuskontrollid ja hooldus.
- Kontrollige, ega mootor pole määrdunud või mõranenud. Pühkige harja abil mootorilt ära rohulible ja lehed. Vajadusel kandke kindaid.
- Kontrollige, et trimmipeal ega löikeosakaitsmel ei oleks kahjustusi ega mõrasid. Kui trimmeripea või löikeosa kaitsel on saanud löögi või kui nendes on mõrasid, vahetage need välja.
- Veenduge, et kõik mutrid ja kruvid oleksid pingutatud.
- Enne toote käivitamist veenduge, et kõik katted, kaitsed, käepidemed ja löikeosad oleksid õigesti kinnitatud ega oleks kahjustatud.

Aku



HOIATUS: Enne aku kasutamist lugege läbi ohutust puudutav jaotis ja veenduge, et oleksite kõigest aru saanud. Samuti tuleb läbi lugeda aku ja akulaadija kasutusjuhend ning veenduda, et kogu teave on arusaadav.

Hoidke akut ja akulaadijat õigel õhutemperatuuril.

	Õhutemperatuur
Aku kasutamine seadmes	-5 °C — 40 °C
Aku laadimine	0 °C — 35 °C

Aku laadimine

Enne esimest kasutuskorda laadige aku täis.

Märkus: Akut ei laeta, kui aku temperatuur on üle +35 °C.

- Ühendage akulaadija toitejuhe maandatud vooluvõrku.



ETTEVAATUST: Veenduge, et vooluvõrgu pinge ja sagedus oleksid õiged.

- Asetage aku akulaadijasse. Aku on ühendatud akulaadijaga, kui roheline LED-märgutuli vilgub. (Joon. 38)
- Aku on täielikult laetud, kui akulaadija roheline LED-märgutuli põleb. Ärge laadige akut kauem kui 24 tundi.
- Lahutage akulaadija vooluvõrgust.



ETTEVAATUST: Ära tõmba toitejuhet.

- Eemaldage aku laadijast.

Aku oleku LED-märgutuli akulaadijal

Akulaadija punane LED-märgutuli (A) ja roheline LED-märgutuli (B) näitavad aku olekut. Vt jaotist *Aku oleku LED-märgutuli tootel lk 162*.

(Joon. 39)

LED-tuli	Aku olek
Roheline LED-märgutuli vilgub kiiresti.	Aku laeb.
Roheline LED-märgutuli vilgub aeglaselt.	Aku on laetud 80%.
Põleb roheline LED-märgutuli.	Aku on täis laetud.
Tõrke LED-märgutuli põleb.	Vt jaotist <i>Aku oleku LED-märgutuli tootel lk 162</i> .
Punane LED-märgutuli vilgub kiiresti.	Vt jaotist <i>Aku oleku LED-märgutuli tootel lk 162</i> .

Aku oleku LED-märgutuli tootel

Kui aku on tootesse paigaldatud, näitavad toote LED-märgutuled aku olekut.

(Joon. 40)

LED-tuli	Aku olek
LED-tuled 1, 2 ja 3 põlevad.	Täielikult laetud.
LED 1 ja 2 süttivad.	Piisavalt laetud
LED 1 põleb.	Aku tase on madal.

LED-tuli	Aku olek
Vilgub LED-tuli 1.	Aku on tühi. Aku oleku indikaator vilgub. Laadige akut. Vt jaotist <i>Aku laadimine lk 162</i> .

Aku ühendamine seadmega



HOIATUS: Kasutage akut ainult POWER FOR ALL süsteemi 18 V toodetega .

1. Veenduge, et aku oleks täis laetud.
2. Lükake aku seadme akupessa. Aku peab hoidikusse libisema kergelt; vastasel korral pole aku õigesti paigaldatud.

(Joon. 41)

3. Aku on kohale lukustunud, kui kuulete klõpsatust.

Toote käivitamine

1. Vajutage pikalt nupp ON/OFF seni, kuni süttib roheline LED-tuli. (Joon. 42)
2. Lükake toitelüliti ja toitelüliti lukku. Lõikeseade hakkab pöörlema.

Silmuskäepideme ja teleskoopvõlli reguleerimine

1. Vajutage aasa silmuskäepideme reguleerimisnuppu.

(Joon. 43)

2. Seadke silmuskäepide sobiva nurga alla.
3. Vabastage silmuskäepideme reguleerimisnupp.
4. Vabastage võlli hoob. (Joon. 44)
5. Seadistage võllil vajalik pikkus.
6. Sulgege hoob ja keerake kruvid kinni.

Märkus: Järgmisel joonisel olevad kaks silmuskäepideme asendit on mõeldud ainult transportimiseks ja/või ladustamiseks.

(Joon. 45)

Automaatse seiskamise funktsioon

Seadmel on automaatne väljalülitusfunktsioon, mis seiskab toote, kui seda ei kasutata. Toode lülitub välja 3 minutes pärast.

Seadme kasutamine

Muru pügamine

1. Hoidke trimmipead nurga all maapinna kohal. Ärge vajutage trimmerijõhvi rohu sisse. (Joon. 46)
2. Lühendage trimmerijõhvi pikkust 8–10 cm (3,15–4 tolli).

Rohu eemaldamine

1. Hoidke trimmeripead maapinna kohal.
2. Kallutage trimmeripead.
3. Lõigake trimmeri jõhvi otsaga rohi tööalal asuvate objektide ümber.



ETTEVAATUST: Lõigake rohi. Kui trimmeri jõhv tabab objekte, siis kiirendab see trimmeri kulumist.

Rohu lõikamine

1. Rohu lõikamisel jälgige, et trimmeri jõhv asuks maapinnaga paralleelselt. (Joon. 47)
2. Ära vajuta trimmipead vastu maapinda. See võib seadet kahjustada.
3. Liigutage muru lõigates toodet küljelt-küljele. (Joon. 48)

Muru eemalpäühkimine

Pöörleva trimmerijõhvi ümber tekkivat õhuvoolu saab kasutada lõigatud muru alalt eemaldamiseks.

1. Hoidke trimmeripead ja jõhvi maapinna kohal maapinnaga paralleelselt.
2. Liigutage trimmipead küljelt küljele ja pühkige muru.



HOIATUS: Uue trimmerijõhvi paigaldamisel puhastage trimmeripea katet, et vältida tasakaaluhäireid ja käepidemete vibreerimist. Kontrollige ja vajaduse korral puhastage ka trimmipea muid osi.

Toote seiskamine

1. Vabastage toitelüliti ja toitelüliti lukk.
2. Vajutage pikalt nuppu ON/OFF, kuni roheline LED-tuli kustub.
3. Vajutage aku vabastusnuppu ja eemaldage aku seadmest. (Joon. 49)

Trimmerijõhvi vahetamine

Vt selle kasutusjuhendi viimast lehekülge.

Hooldamine

Sissejuhatus



HOIATUS: Enne seadme hooldamist lugege läbi ohutuspeatükk ja veenduge, et see oleks teile täielikult arusaadav.

Alljärgnevalt on esitatud loetelu seadme hooldustöödest, mida peab tegema seadme kasutaja. Lisateavet leiate jaotisest *Hooldamine lk 164*.

Hooldusskeem



HOIATUS: Enne hooldustööde alustamist eemaldage aku.

Hooldamine	Üks kord päevas	Üks kord nädalas	Üks kord kuus
Puhastage toote välised osad kuiva lapiga. Ärge kasutage vett.	X		
Kontrollige, kas käivitus- ja seiskamisnupp töötab korralikult ja on kahjustamata.	X		
Kontrollige, et toitelüliti ja toitelüliti lukustus töötavad ohutult ja nõuetekohaselt.	X		
Kontrollige, kas kõik juhtseadised töötavad korralikult ja on kahjustamata.	X		
Hoidke käepidemed kuivad, puhtad ning õli- ja määrdevabad.	X		
Veenduge, et lõikeosa oleks kahjustamata. Kui lõikeosa on kahjustunud, vahetage see välja.	X		
Veenduge, et lõikeosa kaitse oleks kahjustamata. Kui lõikeosa kaitse on kahjustunud, vahetage see välja.	X		
Veenduge, et mutrid ja kruvid oleksid pingutatud.	X		
Veenduge, et aku vabastusnupud töotaksid ning lukustaksid aku kindlalt seadme külge.	X		
Kontrollige, kas akulaadija on kahjustamata ja töötab korralikult.	X		
Veenduge, et aku ei oleks kahjustatud.	X		
Veenduge, et aku oleks laetud.	X		
Veenduge, et akulaadija ei oleks kahjustatud.	X		
Kontrollige kõiki juhtmeid, liitmikke ja ühendusi. Veenduge, et need poleks kahjustatud ega määrduvad.		X	
Kontrollige aku ja seadme vahelisi ühendusi. Samuti kontrollige aku ja akulaadija vahelisi ühendusi.			X

Aku ja akulaadija kontrollimine

1. Kontrollige, kas akul leidub kahjustusi, nt pragusid.
2. Kontrollige, kas akulaadijal leidub kahjustusi, nt pragusid.
3. Veenduge, et akulaadija ühendusjuhe poleks kahjustatud ja et sellel poleks pragusid.

Seadme, aku ja akulaadija puhastamine

1. Pärast kasutamist puhastage seade kuiva riidelapiga.
2. Puhastage aku ja akulaadija kuiva riidelapiga. Hoidke akujuhikuid puhtana.

3. Enne aku asetamist akulaadijasse või tootesse veenduge, et aku ja akulaadija klemmid oleksid puhtad.

Trimmeripea kontrollimine ja vahetamine

1. Veenduge, et trimmeripea ei ole vigastatud ega pragunenud.
2. Pöörake väljuvat võlli, kuni veoketta ava satub kohakuti ülekande avaga.

3. Paigaldage kombineeritud tööriist auku, et võll lukustuks.
4. Keerake trimmeripead vastupäeva.

(Joon. 50)

5. Vahetage trimmeripea välja.
6. Paigaldage trimmeripea. Vt jaotist *Trimmeripea paigaldamine lk 161*.

Veotsing

Kasutajaliides

Probleem	Võimalikud tõrked	Võimalik lahendus
Roheline käivituse LED-tuli vilgub.	Aku pinge on madal.	Laadige akut.
Punane tõrke LED-tuli vilgub.	Ülekoormus.	Lõikeosad ei saa vabalt liikuda. Vabastage lõikeosa.
	Temperatuuri kõrvalekalle.	Laske tootel maha jahtuda.
	Toitelüliti ja käivitusnuppu vajutatakse samal ajal.	Laske toitelüliti lahti ja vajutage käivitusnuppu.
Roheline LED-tuli ja punane LED-tuli vilguvad vaheldumisi.	Aku on tühi.	Laadige akut.
	Aku on kahjustatud.	Pöörduge hooldusesindusse.

Akulaadija

Akulaadija LED-tuli	Põhjus	Lahendus
Roheline LED-tuli põleb ja punane LED-tuli vilgub.	Aku ei ole akulaadijasse õigesti paigaldatud.	Eemaldage aku laadijast ja paigaldage aku uuesti akulaadijasse.
	Akukonnektorid on määrdunud.	Puhastage akukonnektorid.
	Õhutemperatuur on liiga kõrge või liiga madal.	Kasutage akulaadijat keskkonnas, kus õhutemperatuur jääb vahemikku 0 °C kuni +35 °C.
	Aku on defektne.	Vahetage aku välja.
Roheline LED-tuli ja punane LED-tuli on kustunud.	Akulaadija ei ole korralikult vooluvõrku ühendatud.	Ühendage akulaadija vooluvõrgu pesasse.
	Vigane pistikupes.	Ühendage akulaadija andmesildil näidatud pinge ja sagedusega võrku.
	Akulaadija kaabel on defektne.	Pöörduge volitatud hooldustöökoja poole.
	Akulaadija on defektne.	

Akulaadja LED-tuli	Põhjus	Lahendus
Muud tõrked.	Muude tõrgete ilmumise korral veenduge, et toode on välja lülitatud, eemaldage aku ja võtke ühendust volitatud hooldustöökajaga.	

Transportimine, hoiulepanek ja utiliseerimine

Transportimine ja hoiustamine

- Tarnitud liitiumioonakud vastavad ohtlike ainete eeskirjade nõuetele.
- Täitke kaubanduslikule transpordile kehtestatud pakendamise ja märgistamise erinõudeid (sh kolmandate osapoolte või ekspediitorite teenuseid kasutades).
- Enne seadme lähetamist konsulteerige isikuga, kes on läbinud ohtlike ainete käitlemise alase erikoolituse. Järgige kõiki kehtivaid riiklikke eeskirju.
- Enne aku pakendisse asetamist katke lahtised kontaktid isoleerteibiga. Asetage aku pakendisse tihkelt, et see ei saaks liikuma hakata.
- Hoiustamise ja transpordi ajaks tuleb aku eemaldada.
- Asetage aku ja akulaadja kohta, mis on kuiv ja mida ei ähvarda niiskus ega jäätumine.
- Ärge hoidke akut kohas, kus võib tekkida staatiline elekter. Ärge hoidke akut metallkastis.
- Hoidke akut ruumis, mille temperatuur püsib vahemikus -20...+50 °C ja kus aku on varjatud otsese päikesevalguse eest.
- Hoidke akulaadijat ruumis, mille temperatuur püsib vahemikus 5 °C kuni 45 °C ja kus akulaadja on varjatud otsese päikesevalguse eest.
- Hoiustage toodet ruumis, kus õhutemperatuur jääb vahemikku -40 °C kuni +60 °C.
- Kasutage akulaadijat üksnes juhul, kui ümbritsev temperatuur on vahemikus 0 °C kuni 35 °C.
- Laadige enne aku pikemaajalist hoiustamist see 30–50% ulatuses täis.

- Hoidke akulaadijat ruumis, mis on suletud ja kuiv.
- Ladustamisel hoidke aku akulaadijast eemal. Ärge lubage lastel ja teistel volitamata isikutel seadmeid puutuda. Hoidke seadmeid lukustatavas ruumis.
- Enne seadme pikemaajalist hoiustamist puhastage seade ja tehke sellele täishooldus.
- Transportimise ja hoiustamise ajal kasutage tootel olevat transpordikaitset, et vältida inimeste kehavigastusi ja toote kahjustusi.
- Kinnitage seade transpordi ajaks turvaliselt.
- Hoiustage toodet hoiuruumis horisontaalselt või riputage toode kaasasoleva konksu külge. Vt jaotisest *Konksu seinale paigaldamine lk 161*.

(Joon. 51)

Aku, akulaadja ja seadme kasutuselt kõrvaldamine

Allolev sümbol tähendab, et seade ei kuulu olmejäätmete hulka. Toimetage see elektri- ja elektroonikajäätmete ringlussevõtukeskusesse. Nii aitate vältida keskkonna ja inimeste kahjustamist.

Lisateavet küsige kohalike ametkondadelt, olmejäätmete käitlejatelt või edasimüüjalt.

(Joon. 18)

Märkus: Sümbol asub tootel või toote pakendil.

Tehnilised andmed

Tehnilised andmed

Aspire T28-P4A	
Mootor	
Mootori tüüp	PMDC
Väljuva võlli pöörlemiskiirus, p/m	6800
Lõikelaius, mm	280
Kaal	
Kaal ilma akuta (kg)	2,6

	Aspire T28-P4A
Kaal koos akuga (P4A 18-B45 / P4A 18-B70), kg	3,0/3,3
Müratasemed ²²	
Helivõimsuse tase, mõõdetud dB(A)	85
Helivõimsuse tase, garanteeritud L _{WA} dB(A)	88
Müratase ²³	
Ekvivalentne helirõhutase kasutaja kõrva juures, mõõdetud EN ISO 50636-2-91 järgi, dB(A)	73
Vibratsioonitase ²⁴	
Käepidemete vibratsioonitasemed, mõõdetud EN50636-2-91 järgi, m/s ²	2,26/1,61
Eesmise/tagumise originaaltrimmeripeaga.	

Aku	P4A 18-B45	P4A 18-B72
Tüüp	Liitiumioonaku	Liitiumioonaku
Aku mahtuvus, Ah	Vt aku andmete kleekest	Vt aku andmete kleekest
Nimipinge, V	18	18
Kaal, kg	0,4	0,7

Akulaadija	P4A 18-C70
Toitevõrgu pingeline, V	220–240
Sagedus, Hz	50–60
Võimsus, W	70
Väljundpingeline, alalisvool, V / amprit, A	14.4-18 / 3

²² Müraemissioon ümbritsevasse keskkonda, mõõdetud helivõimsuse tasemenä (L_{WA}) vastavalt EÜ direktiivile 2000/14/EÜ Erinevus garanteeritud ja mõõdetud helivõimsustaseme vahel seisneb selles, et direktiivi 2000/14/EÜ järgi hõlmab garanteeritud helivõimsustase ka mõõtmistulemuste dispersiooni ja kõrvalekaldeid sama mudeli erinevate toodete vahel.

²³ Esitatud andmetel on seadme helirõhutase ekvivalentil tүүлiline statistiline dispersioon (standardhälve) 3 dB(A).

²⁴ Vibratsioonitase kohta toodud andmete tүүлiline statistiline dispersioon (standardhälve) on 1,5 m/s².

Lisavarustus

Heakskiidetud tarvikud

Heakskiidetud tarvikud	Tüüp	Lõikeosa kaitsekate, art. nr.
Trimmeripea	A15B M5 (Ø 1,6 mm jõhv)	536 47 32-01

Vastavusdeklaratsioon

EL-i vastavusdeklaratsioon

Husqvarna AB, SE-561 82 Huskvarna, Rootsi, tel: +46
3614 6500, kinnitab ainuvastutusel, et toode:

Kirjeldus	Akutoitega murutrimmer
Kaubamärk	Husqvarna
Tüüp/mudel	Aspire T28-P4A
Identifitseerimine	Seerianumbrid alates 2023. aastast

vastab täielikult järgmistele EÜ direktiividele ja määrustele:

Direktiiv/eeskiri	Kirjeldus
2006/42/EÜ	„masinadirektiiv“
2014/30/EL	„elektromagnetilise ühilduvuse direktiiv“
2000/14/EÜ	„seadmete müra kohta käiv direktiiv“
2011/65/EL	„elektri- ja elektroonikaseadmetes teatavate ohtlike ainete kasutamise piiramise direktiiv“

ja et kohalduvad järgmised standardid ja/või tehnilised spetsifikatsioonid: EN 60335-1:2012/A15:2021, EN 50636-2-91:2014, EN IEC 63000:2018, EN IEC 55014-1:2021; EN IEC 55014-2:2021.

Teavitatud asutus: 0158 DEKRA Testing and Certification GmbH, Handwerkstraße 15, 70565 Stuttgart, Germany kinnitab vastavust nõukogu direktiivile 2000/14/EÜ, vastavushindamise menetlus: lisa VI.

Lisateavet mürataseme kohta vt jaotisest *Tehnilised andmed lk 166*.

Huskvarna, 2023-12-14



Claes Losdal, Husqvarna AB uurimis- ja arendusjuht
Tehnilise dokumentatsiooni eest vastutaja



Litsentsid

Autoriõigus © 2012–2020 STMicroelectronics

Garantii alla ei kuulu defektid, mis on tingitud tavalisest kulumisest, seadmega hooletust ümberkäämisest, valel otstarbel kasutamisest, volitamata remontimisest või imemiseadme ühendamisest vale pingega.

Kõik õigused kaitstud.

Edasi levitamine ja kasutamine lähte- ja kahendvormingus, muudatustega või ilma, on lubatud, kui on täidetud järgmised tingimused:

- Lähtekoodi edasilevitamisel tuleb säilitada ülalloodud autoriõiguse teatis, käesolev tingimuste loend ja järgmine lahtiütlus.
- Kahendvormingus levitamisel tuleb dokumentatsioonis ja/või muudes levitamiseks kaasas olevates materjalides reprodutseerida ülalloodud autoriõiguse teatis, käesolev tingimuste loend ja järgmine lahtiütlus.
- STMicroelectronicsi ega ka selle kaasautorite nimised ei tohi kasutada sellest tarkvarast tuletatud toodete toetamiseks ega reklaamimiseks ilma eelneva kirjaliku loata.

SEDA TARKVARA PAKUVAD AUTORIOIGUSTE OMANIKUD JA KAASAU TORID SELLENA NAGU SEE ON NING MIS TAHES OTSESTEST VÕI KAUSDEST GARANTIIDEST (SEAHULGAS KAUSDED GARANTIID KAUBELDAVUSE JA KONKREETSEKS OTSTARBEKS SOBIVUSE KOHTA) LOOBUTAKSE. AU TORIOIGUSE OMANIK VÕI KAASAU TORID EI VASTUTA MITTE MINGIL JUHUL OTSESTE, KAUSDETE, JUHUSLIKE, ERILISTE, NÄITLIKE EGA TEKKINUD KAHJUDE EEST (SEALHULGAS ASENDUSKAU PADE VÕI -TEENUSTE HANKIMINE; KASUTAMISE, ANDMETE VÕI KASUMI KADU; VÕI ÄRIKATKESTUS) OLENEMATA PÕHJUSEST JA MIS TAHES VASTUTUSE TEOORIAST, OLENEMATA SELLEST, KAS SEE ON LEPINGULINE, RANGE VASTUTUS VÕI KAHJU (KAASA ARVATUD HOOLETUSEST VÕI MUUL VIISIL TEKKINUD), MIS TULENEVAD MIS TAHES VIISIL SELLE TARKVARA KASUTAMISEST, ISEGI KUI SELLELISE KAHJU VÕIMALUSEST TEAVITATAKSE.

Apache 2.0 litsents

Autoriõigus © 2009–2019 Arm Limited. Kõik õigused kaitstud.

Versioon 2.0, jaanuar 2004 <http://www.apache.org/licenses/>

KASUTAMISE, REPRODUTSEERIMISE JA LEVITAMISE TINGIMUSED

1. Mõisted.

„Litsents“ tähendab kasutamise, reprodutseerimise ja levitamise tingimusi, nagu on määratletud käesoleva dokumendi jaotistes 1–9. „Litsentsandja“ tähendab

autoriõiguse omaniku või autoriõiguse omaniku volitatud üksust, kes litsentsi välja annab. „Juridiline isik“ tähendab tegutseva üksuse ja kõigi teiste üksuste liitu, mis seda üksust kontrollivad, mida kontrollib see üksus või mis on selle üksusega ühise kontrolli all. Selle määratluse tähenduses tähendab „kontroll“ (i) otsest või kaudset õigust panna sellist üksust juhtima kas lepingu alusel või muul viisil või (ii) viiskümmend protsenti (50%) või rohkem käibelolevate aktsiate omandiõigusest või (iii) sellise üksuse tegelikku tulu. „Teie“ tähendab füüsilist või juriidilist isikut, kes kasutab selle litsentsiga antud õigusi. „Allikas“ tähendab eelistatud vormi muudatuste tegemiseks, sealhulgas tarkvara lähtekoodi, dokumentatsiooni allika ja konfiguratsioonifailide tegemiseks. „Objekt“ vorm tähendab mis tahes vormi, mis tuleneb lähtevormi mehaanilisest teisendamise või tõlkimisest, sealhulgas kompleeeritud objektikood, loodud dokumentatsioon ja teised muud meediumitüüpidel. „Teos“ tähendab litsentsi alusel kättesaadavaks tehtud autoriteost, olgu see siis allika või objekti kujul, nagu on näidatud teosesse lisatuna või lisana kaasatud autoriõiguse märkusest (näide on toodud allolevas lisas). „Tuletatud teosed“ tähendab mis tahes allika või objekti vormis teost, mis põhineb teosel või on sellest tuletatud ja mille toimetuskilud muudatused, annotatsioonid, täiendused või muud muudatused kujutavad endast tervikuna originaalteost autoriteost. Selle litsentsi tähenduses ei hõlma tuletatud teosed selliseid teoseid, mis jäävad teose ja tuletatud teoste liidestest eraldatavaks või on nendega ainult lingivad (või nime järgi seovad). „Kaastöö“ tähendab mis tahes autoriteost, kaasa arvatud teose alversioon ja selle teose või selle tuletatud teoste muudatused või täiendused, mille autoriõiguse omanik, tema volitatud isik või juriidiline isik on tahtlikult esitanud litsentsandjale teosesse lisamiseks. Selle määratluse tähenduses tähendab „esitatud“ mis tahes vormis elektroonilist, suulist või kirjalikku suhtlust, mis saadetakse litsentsandjale või tema esindajatele, sealhulgas e-postiloendites, lähtekoodi juhtimissüsteemides ja väljaannetes jälgimissüsteemides, mida haldab litsentsandja või litsentsandja volitatud isik teose diskussiooni ja täiustamise eesmärgil, kuid välja arvatud suhtlus, mille autoriõiguse omanik on selgelt märkinud või muul viisil kirjalikult tähistanud kui „Ei ole kaastöö.“ „Kaasautor“ tähendab litsentsandjat ja mis tahes füüsilist või juriidilist isikut, kelle nimel litsentsandja on kaastöö vastu võtnud ja seejärel teosesse lisanud.

2. Autoriõiguse litsentsi andmine.

Vastavalt selle litsentsi tingimustele annab iga kaasautor teile alalise, ülemaailmse, mitteeksklusiivse, tasuta, kasutustasuta ja tühistamatu autoriõiguse litsentsi, et reprodutseerida, valmistada ette tuletatud teoseid, avalikult kuvada, avalikult esitada, all-litsentsida ja levitada teost ja selliseid tuletatud teoseid allika või objekti kujul.

3. Patendilitsentsi andmine.

Vastavalt selle litsentsi tingimustele annab iga kaasautor teile alalise, ülemaailmse, mitteeksklusiivse, tasuta, kasutustasuta, tühistamatu (välja arvatud selles jaotises märgitud) patendilitsentsi, et teha, lasta teha, kasutada pakkuda teost müüa, müüa, importida ja muul viisil üle anda, kui selline litsents kehtib ainult nende patendinõuete suhtes, mida see kaasautor litsentsib ja mida kaasautor rikub tingimata oma kaastöö(de)ga üksi või nende kaastöö(de) ja teosega ühiselt, millele selline/sellised kaastöö/kaastööd esitati. Kui algatate patendivaidluse mis tahes üksuse vastu (sealhulgas vastuhagi või vastuhagi kohtuasjas), väites, et teos või teoses sisalduv kaastöö kujutab endast otsest või kaastöö patendirikumist, lõpetavad teile selle teose jaoks selle litsentsi alusel antud patendilitsentsid kehtivuse kohtuvaidluse esitamise kuupäevast alates.

4. Ümberjaotus.

Võite reprodutseerida ja levitada teose või selle tuletatud teoste koopiasid mis tahes kandjal, muudatustega või ilma, ja allika või objekti kujul, tingimusel, et täidate järgmised tingimused:

- Peate andma kõigile teistele teose või tuletatud teoste saajatele selle litsentsi koopia; ja
- kõik muudetud failid peavad sisaldama konkreetseid märkuseid selle kohta, et muutsite faile; ja – peate säilitama mis tahes levitatavate tuletatud teoste lähtevormis kõik autoriõiguse, patendi, kaubamärgi ja omistamise märkused teose allika vormist, välja arvatud need märkused, mis ei puuduta tuletatud teoste ühegi osa. ; ja
- kui teos sisaldab levitamise osana tekstifaili „MÄRKUS“, peavad kõik teie levitatavad tuletatud teosed sisaldama loetavat koopiat sellises MÄRKUS-failis sisalduvatest omistamismärkustest, välja arvatud need märkused, mis ei puuduta tuletatud teose ühegi osa vähemalt ühes järgmistest kohtadest: tekstifailis MÄRKUS, mida levitatakse tuletatud teoste osana; allika vormis või dokumentatsioon, kui see esitatakse koos tuletatud teostega; või tuletatud teoste loodud koval, kui ja kus iganes sellised kolmanda osapoole märkused tavaliselt ilmuvad. MÄRKUSE faili sisu on ainult informatiivsel eesmärgil ega muuda litsentsi. Võite lisada oma omistumärkuseid tuletatud teostesse, mida levitate, koos teose MÄRKUSE tekstiga või selle lisana, eeldusel, et selliseid täiendavaid omistamismärkuseid ei saa tõlgendada litsentsi muutmisena. Võite lisada oma muudatustele oma autoriõiguse avalduse ja pakkuda täiendavaid või erinevaid litsentsitingimusi teie muudatuste kasutamiseks, reprodutseerimiseks või levitamiseks või mis tahes sellisele tuletatud teosele tervikuna, tingimusel et kasutate, reprodutseerite ja levitate muul viisil teost, mis vastab käesolevas litsentsis sätestatud tingimustele.

5. Kaastööde esitamine.

Kui te ei ole sõnaselgelt teatanud teisiti, kehtib teie poolt litsentsiandjale tahtlikult töösse lisamiseks esitatud kaastöö selle litsentsi tingimuste ja täiendavate tingimusteta. Olenemata ülaltoodust ei asenda ega muuda miski siinkirjeldatud eraldi litsentsilepingu tingimusi, mille olete litsentsiandjaga selliste kaastööde osas sõlminud.

6. Kaubamärgid.

See litsents ei anna luba kasutada litsentsiandja kaubanimesisid, kaubamärke, teenusemärke või tootenimesid, välja arvatud juhul, kui see on vajalik mõistlikuks ja tavapäraseks kasutamiseks töö päritolu kirjeldamisel ja MÄRKUSE faili sisu reprodutseerimisel.

7. Garantii loobumine.

Välja arvatud juhul, kui kohaldatav seadus seda nõuab või kirjalikult kokku lepitud ei ole, annab litsentsiandja teose kasutusse (ja iga kaasautor annab oma kaastöö) SELLISELT, NAGU SEE ON, ILMA MIS TAHES otseste või kaudsete GARANTIIDETA VÕI TINGIMUSTETA (sealhulgas ilma piiranguteta mis tahes OMANDIÕIGUSE, MITTERIKKUMISE, TURUSTATAVUSE või TEATUD OTSTARBEKS SOBIVUSE garantiideta või tingimusteta). Te vastutate ainuisikuliselt teose kasutamise või edasilevitamise asjakohasuse kindlaksmääramise eest ja võtate endale kõik selle litsentsi alusel antud lubade kasutamise seotud riskid. 8. Piiratud vastutus. Mitte mingil juhul ja ühegi õigusteooria alusel, s.o. kahjunõuete (sealhulgas hooletuse), lepingu või muul viisil, välja arvatud juhul, kui kohaldatav seadus seda nõuab (nt tahtlikud ja tõsised hooletud teod) või kirjalike kokkulepeteta, ei vastuta kaasautor teie ees kahjude eest, sealhulgas mis tahes otsesed, kaudsed, erilised, juhuslikud või kaudsed kahjud, mis tulenevad sellest litsentsist või teose kasutamisest või suutmatusest seda kasutada (sealhulgas kahjud, mis tulenevad firmaväärtuse kadumisest, tööseisakust, arvutirikkest või talitlushäirest, või mis tahes muud ärilised kahjud või kaotused), isegi kui sellist kaasautorit on selliste kahjude võimalikkusest teavitatud.

9. Garantii või lisavastutuse aktsepteerimine.

Teose või sellest tuletatud teoste edasilevitamisel võite valida, kas soovite pakkuda toetust, garantiid, hüvitist või muid käesoleva litsentsiga kooskõlas olevaid kohustusi ja/või õigusi ning võtta selle eest tasu. Selliseid kohustusi vastu võttes võite tegutseda ainult enda nimel ja oma ainuvastutusel, mitte ühegi teise kaasautori nimel ja ainult siis, kui nõustute hüvitama, kaitsma ja hoidma iga kaasautorit mis tahes vastutuse eest, mis on tekkinud: või nõuded, mis on sellise kaasautori vastu esitatud, kuna nõustute mis tahes sellise garantii või lisavastutusega. TINGIMUSTE LÕPP

Sisällys

Johdanto.....	172	Kuljettaminen, säilyttäminen ja hävittäminen.....	185
Turvallisuus.....	174	Tekniset tiedot.....	185
Asentaminen.....	180	Tarvikkeet.....	186
Käyttö.....	181	Vaatimustenmukaisuusvakuutus.....	187
Huolto.....	183	Lisenssit.....	188
Vianmääritys.....	184	Liite	507

Johdanto

Tuotekuvaus

Husqvarna Aspire T28-P4A on akkukäyttöinen ruohontrimmeri, jossa on sähkömoottori.

Käytön aikaista turvallisuutta ja tehokkuutta kehitetään jatkuvasti. Lisätietoja saat huoltoilikkeestä.

Käyttötarkoitus

Laitetta käytetään siimapään kanssa ruohon leikkaamiseen. Älä käytä laitetta muuhun kuin ruohontrimmaukseen ja ruohonraivaukseen.

Laitteen kuvaus

(Kuva 1)

1. Siimapää
2. Terälaitteen suojus
3. Kasvisuoja
4. Runkoputken säätöteleskooppi
5. Runkoputki
6. Kaarikahva
7. Huoltosuojus
8. Kaarikahvan säätöpainike
9. Käyttöliittymä
10. Varoitusvalo
11. Lataustilan ilmaisin
12. Virtapainike
13. Käyttöliipaisin
14. Käyttöliipaisimen varmistin
15. Akku (P4A 18-B45)
16. Akun vapautuspainike
17. Akku (P4A 18-B72)
18. Akkulaturi, (P4A 18-C70)
19. Liitin
20. Virran ja varoitusten merkkivalo
21. Yhdistelmätyökalu
22. Seinäkoukku
23. Seinäkoukun ruuvit ja ruuvitulpat
24. Käyttöohje

Laitteen symbolit

(Kuva 2) VAROITUS: Tämä laite voi olla vaarallinen ja aiheuttaa käyttäjälle tai

Huomautus: Kansalliset määräykset saattavat rajoittaa tuotteen käyttöä.

Pikaopas

Avaa tuotteen käyttöohjeet skannaamalla QR-koodi.

(Kuva 20)

sivullisille vakavia vahinkoja tai kuoleman. Ole varovainen ja käytä laitetta oikein.

(Kuva 3)

Lue käyttöohje huolellisesti ja varmista, että ymmärrät sen sisällön, ennen kuin alat käyttää laitetta.

(Kuva 4)

Käytä suojalaseja.

(Kuva 5)

Ei saa altistaa sateelle.

(Kuva 6)

Tuotteessa on EU:n ja Yhdistyneen kuningaskunnan direktiivien ja säädösten sekä Uuden Etelä-Walesin "Protection of the Environment Operations (Noise Control) Regulation 2017" -asetuksen mukainen ympäristöön aiheutuvien melupäästöjen arvokilpi. Laitteen taattu äänentehotaso on määriteltäessä kohdassa *Tekniset tiedot sivulla 185*.

(Kuva 7)

Irrota akku ennen huoltotoimenpiteitä.

(Kuva 8)

Laitetta tai sen pakkausta ei saa hävittää kotitalousjätteen mukana. Vie se asianmukaiseen sähkö- ja elektroniikkalaitteiden keräyspisteeseen.

(Kuva 9)

Varo sinkoutuvia esineitä.

(Kuva 10)

Älä käytä metalliteriä.

(Kuva 11) Laite täyttää voimassa olevien EU-direktiivien vaatimukset.

(Kuva 12) Laite täyttää Yhdistyneen kuningaskunnan voimassa olevien säädösten vaatimukset.

(Kuva 13) Tasavirta.

(Kuva 17) Laitteen ja ohikulkijoiden välisen etäisyyden on oltava vähintään 15 m.

yyyywwxxxx Tyyppikilvessä tai lasermerkinnässä näkyy sarjanumero, jossa **yyyy** on valmistusvuosi ja **ww** on valmistusviikko.

Laitteen symbolit

(Kuva 2) VAROITUS: Tämä laite voi olla vaarallinen ja aiheuttaa käyttäjälle tai sivullisille vakavia vahinkoja tai kuoleman. Ole varovainen ja käytä laitetta oikein.

(Kuva 3) Lue käyttöohje huolellisesti ja varmista, että ymmärrät sen sisällön, ennen kuin alat käyttää laitetta.

(Kuva 4) Käytä suojalaseja.

(Kuva 5) Ei saa altistaa sateelle.

(Kuva 6) Laitteessa on EU-direktiivien, Uuden Etelä-Walesin lainsäädännön ja Yhdistyneen kuningaskunnan säädösten mukainen ympäristön melupäästökilpi. Melupäästötiedot ilmoitetaan koneen arvokilvessä ja luvussa Tekniset tiedot.

(Kuva 7) Irrota akku ennen huoltotoimenpiteitä.

(Kuva 8) Laitetta tai sen pakkausta ei saa hävittää kotitalousjätteen mukana. Vie se asianmukaiseen sähkö- ja elektroniikkalaitteiden keräyspisteeseen.

(Kuva 9) Varo sinkoutuvia esineitä.

(Kuva 10) Älä käytä metalliteriä.

(Kuva 11) Laite täyttää voimassa olevien EU-direktiivien vaatimukset.

(Kuva 13) Tasavirta.

(Kuva 17) Laitteen ja ohikulkijoiden välisen etäisyyden on oltava vähintään 15 m.

yyyywwxxxx Tyyppikilvessä tai lasermerkinnässä näkyy sarjanumero, jossa **yyyy** on valmistusvuosi ja **ww** on valmistusviikko.

Akun ja/tai akkulaturin symbolit

(Kuva 18) Vie tämä laite asianmukaiseen sähkö- ja elektroniikkalaitteiden keräyspisteeseen. (Vain Eurooppa)

(Kuva 19) Käytä akkua vain POWER FOR ALL-järjestelmäkumppanien laitteissa.

(Kuva 14) Vikaturvallinen muuntaja.

(Kuva 15) Käytä ja säilytä akkulaturia ainoastaan sisätiloissa.

(Kuva 16) Kaksoiseristys.

Tuotteen vaurioituminen

Emme ole vastuussa tuotteen vaurioitumisesta, jos:

- tuote on korjattu virheellisesti
- tuotteen korjaamiseen on käytetty muita kuin valmistajan omia tai sen hyväksymiä osia
- tuotteessa on muu kuin valmistajan oma tai sen hyväksymä lisävaruste
- tuotetta ei ole korjattu valtuutetussa huoltopisteessä tai hyväksytyllä asiantuntijalla.

Valmistaja

Husqvarna AB
SE-561 82, Huskvarna, Sweden

Turvallisuus

Turvallisuusmääritelmät

Varoituksia, huomioita ja huomautuksia käytetään, kun jotakin käyttöohjeen osaa halutaan erityisesti korostaa.



VAROITUS: Tätä käytetään, jos käyttöohjeen noudattamatta jättämisestä voi seurata käyttäjän tai sivullisen vamma tai kuolema.



HUOMAUTUS: Tätä käytetään, jos käyttöohjeen noudattamatta jättämisestä voi seurata koneen, muiden materiaalien tai ympäristön vaurioituminen.

Huomautus: Tätä käytetään tietyissä tilanteissa tarvittavien lisätietojen antamiseen.

Yleiset sähkötyökaluja koskevat varoitukset



VAROITUS: Lue kaikki turvavaroitukset ja kaikki ohjeet. Varoitusten ja ohjeiden noudattamisen laiminlyöminen voi johtaa sähköiskuun, tulipaloon ja/tai vakavaan tapaturmaan.

Huomautus: Sästä kaikki varoitukset ja ohjeet tulevaa käyttöä varten. Varoituksissa termillä "sähkötyökalu" tarkoitetaan verkkosähköllä toimivaa (johdollista) sähkötyökaluja tai akkukäyttöistä (johdotonta) sähkötyökaluja.

Tarkastus ennen käynnistystä

- Irrota akku aina käytön jälkeen, jotta laite ei käynnisty vahingossa. Irrota akku laitteesta aina ennen laitteen huoltotoimia.
- Tarkista laite kulumisen ja vaurioiden varalta aina ennen käyttöä ja minkä tahansa laitteeseen kohdistuneen iskun jälkeen. Korjaa viat tarvittaessa.
- Tarkista työskentelyalue. Poista kaikki irralliset esineet, kuten kivet, lasinsirpaleet, naulat, rautalangat, narut ja vastaavat, jotka voivat sinkoutua liikkeelle tai kietoutua leikkaimeen tai leikkusuojukseen.
- Tarkista moottori liian ja murtumien varalta. Poista ruoho ja lehdet moottorista harjaamalla. Käytä käsiineitä aina tarvittaessa.
- Varmista, että siimapää on kiinnitetty trimmeriin asianmukaisesti.
- Tarkista, että laite on moitteettomassa kunnossa. Tarkista, että kaikki mutterit ja ruuvit on kiristetty.

- Tarkista, että siimapää ja trimmerin suojus ovat ehjiä eikä niissä ole halkeamia. Vaihda siimapää tai trimmerin suojus, jos niihin on kohdistunut iskuja tai niissä on halkeamia. Käytä aina kyseiselle leikkausterälle suositeltua suojusta. Katso luku Tekniset tiedot.
- Laitteen käyttäjän on huolehdittava siitä, että ihmiset ja eläimet ovat työn aikana vähintään 15 metrin päässä laitteesta. Kun useampia käyttäjiä työskentelee samalla työalueella, on turvaetäisyyden oltava vähintään 15 metriä.
- Tarkista laite kokonaisuudessaan ennen käyttöä. Katso huoltokaavio.
- Käyttöä säädellään mahdollisesti kansallisilla tai paikallisilla määräyksillä. Noudata ilmoitettuja määräyksiä.

Työalueen turvallisuus

- **Pidä työalue siistinä ja hyvin valaistuna.** Sotkuiset tai hämärät alueet ovat alttiita onnettomuuksille.
- **Älä käytä sähkötyökaluja räjähdysriskissä ympäristössä, esimerkiksi herkästi syttyvien nesteiden, kaasujen tai pölyn läheisyydessä.** Sähkötyökaluista lähtevät kipinät voivat sytyttää pölyn tai kaasut.
- **Pidä lapset ja sivulliset poissa, kun käytät sähkötyökaluja.** Häiriöt voivat saada sinut menettämään työkalun hallinnan.

Sähköturvallisuus

- **Sähkötyökalan pistokkeen on sovittava pistorasiaan. Älä koskaan muuta pistoketta millään tavoin. Älä käytä mitään pistokesovittimia maadoitettujen sähkötyökalujen kanssa.** Muuttamattomat pistokkeet ja sopivat pistorasiat vähentävät sähköiskun vaaraa.
- **Varo koskettamasta maadoitettuja pintoja, kuten putkia, pattereita, liesiä ja jääkaappeja.** Sähköiskun riski kasvaa, jos käyttäjän keho on maadoitettu.
- **Älä altista sähkötyökaluja sateelle tai märille olosuhteille.** Sähkötyökaluun päässyt vesi lisää sähköiskun riskiä.
- **Älä vahingoita johtoa. Älä koskaan käytä johtoa kantamiseen, vetämiseen tai pistokkeen irrottamiseen pistorasiasta. Pidä johto etäällä kuumuudesta, öljystä, terävistä reunoista tai liikkuvista osista.** Vialliset tai solmussa olevat johdot lisäävät sähköiskuvaaraa.
- **Kun käytät sähkötyökaluja ulkona, käytä ulkoihoin sopivaa jatkojohtoa.** Ulkokäyttöön sopivan johdon käyttäminen vähentää sähköiskuvaaraa.
- **Mikäli sähkötyökalan käyttämisestä kosteassa ei voida välttää, käytä virtalähdettä, jossa on vikavirtasuojakytkin (RCD).** Vikavirtasuojakytkimen käyttö vähentää sähköiskun vaaraa.

Henkilökohtainen turvallisuus

- **Pysy valppaana, katso mitä teet ja käytä tervettä järkeä käyttäessäsi sähkötyökäluä. Älä käytä sähkötyökäluä väsyneenä tai alkoholin, huumeiden tai lääkituksen vaikutuksen alaisena.** Hetken epähuomio sähkötyökäluja käytettäessä voi johtaa vakavaan henkilövahinkoon.
- **Käytä henkilökohtaisia suojavarusteita. Pidä aina silmäsuojia.** Hengityssuojain, luistamattomat turvakengät, kypärä, kuulosuojaimet ja muut suojavarusteet niitä vaativissa oloissa käytettyinä vähentävät henkilövahinkoja.
- **Estä tahaton käynnistys. Varmista ennen virtalähteeseen ja/tai akkuun kytkemistä, työkaluun tarttumista tai sen kantamista, että sen virta on katkaistu.** Sähkötyökälujen kantaminen sormi katkaisijalla tai niiden kytkeminen sähköverkkoon tai akkuun katkaisimen ollessa päällä altistaa onnettomuuksille.
- **Irrota mahdolliset säätöavaimet ennen virran kytkemistä sähkötyökäluun.** Sähkötyökäluun pyöriivään osaan kiinnitetty avain voi aiheuttaa henkilövahingon.
- **Älä kurota. Säilytä aina tukeva asento ja tasapaino.** Tämä mahdollistaa sähkötyökäluun paremman hallinnan odottamattomissa tilanteissa.
- **Pukeudu oikein. Älä käytä löysästi istuvia vaatteita tai koruja. Pidä hiukset ja vaatteet etäällä liikkuvista osista.** Löysät vaatteet, korut tai pitkät hiukset voivat tarttua liikkuviin osiin.
- **Jos käytävissä on kytkentämahdollisuus pölynpoistojärjestelmälle, varmista, että se kytketään ja että sitä käytetään oikein.** Pölynpoistojärjestelmän käyttö voi vähentää pölyyn liittyviä riskejä.
- **Vaikka olisit käyttänyt työkaluja usein ja tuntisit ne hyvin, muista aina ottaa huomioon työkalun turvamääräykset.** Huolimaton toiminta voi aiheuttaa vakavia vahinkoja sekunnin murto-osassa.
- **Tärinäpäästöt sähkötyökäluun varsinaisen käytön aikana voivat poiketa ilmoitetusta kokonaisarvosta työkalun käyttötavasta riippuen.** Käyttäjien tulee itsensä suojaamiseksi noudattaa turvatoimia, jotka perustuvat päästöjen arviointiin todellisissa käyttöolosuhteissa (huomioon ottaen kaikki käyttöjakson osat, kuten työkalun päältäkytkemisaika ja se, milloin se käy joutokäynnillä, liipaisimen lisäksi).

Sähkötyökälujen käyttö ja huolto

- **Älä pakota sähkötyökäluä. Käytä käyttötarkoitukseen sopivaa sähkötyökäluä.** Oikea sähkötyökälu tekee työn paremmin ja turvallisemmin nopeudella, jota varten se on suunniteltu.
- **Älä käytä sähkötyökäluä, jos virtaa ei voi kytkä ja katkaista virtakatkaisimella.** Mikä tahansa sähkötyökälu, jota ei voi hallita katkaisimella, on vaarallinen, ja se pitää korjata.
- **Irrota pistoke pistorasiasta ja/tai akku sähkötyökäluusta, mikäli mahdollista, ennen kuin teet**

mitään säätöjä, vaihdat lisävarusteita tai varastoit sähkötyökäluun. Sellaiset varotoimet vähentävät riskiä, että sähkötyökälu käynnistetään vahingossa.

- **Varastoi käyttämättömät sähkötyökäluet pois lasten ulottuvilta, äläkä anna henkilöiden, jotka eivät tunne sähkötyökäluä tai näitä ohjeita, käyttää sähkötyökäluä.** Sähkötyökäluet ovat vaarallisia kouluttamattomien käyttäjien käsissä.
- **Huolla sähkötyökäluja ja lisävarusteita. Tarkista, etteivät liikkuvat osat ole väärin suunnattuja tai tarttuvia, ettei mikään osa ole murtunut sekä kaikki muut tekijät, jotka voivat vaikuttaa sähkötyökäluun toimintaan. Jos sähkötyökälu on vahingoittunut, korjauta se ennen käyttöä.** Monet onnettomuudet johtuvat huonosti huolletuista sähkötyökäluista.
- **Pidä leikkaustyökälu terävänä ja puhtaina.** Oikein huolletut leikkaustyökäluet, joiden leikkausreunat ovat terävät, eivät juutu kiinni niin helposti ja ovat helpommin hallittavissa.
- **Käytä sähkötyökäluä, lisävarusteita, teriä jne. näiden ohjeiden mukaisesti ottaen huomioon työskentelyolosuhteet ja suoritettavan työn laadun.** Sähkötyökäluun käyttäminen ennakoituista poikkeavissa olosuhteissa voi johtaa vaaratilanteeseen.
- **Pidä kahvat ja tarttumapinnat kuivina, puhtaina ja öljyttöminä sekä puhtaana vasellinista.** Liukkaat kahvat ja tarttumapinnat eivät mahdollista työkalun turvallista käsittelyä ja hallintaa odottamattomissa tilanteissa.

Akkukäyttöisten työkalujen käyttö ja huolto

- **Lataa akku ainoastaan valmistajan tarkoitukseen nimeämällä laturilla.** Tietynlaiseen akustoon soveltuva laturi voi aiheuttaa toisen akuston lataamiseen käytettynä tulipalon vaaran.
- **Liitä tuotteisiin ainoastaan niissä käytettäviksi hyväksytyiksi akkuja.** Muunlaisten akkujen käyttö voi aiheuttaa tapaturmien tai tulipalon vaaran.
- **Kun akkuä ei käytetä, pidä se etäällä metalliesineistä, kuten paperiliittimistä, kolkoista, avaimista, nauloista, ruuveista tai muista pienistä metalliesineistä, jotka saattavat aiheuttaa kosketuksen liittinten välillä.** Akkuliitinten saattaminen keskenään oikosulkuun voi aiheuttaa palovammoja tai tulipalon.
- **Akusta voi tihkuä nestettä väärissä olosuhteissa. Vältä kosketusta akkuneesteeseen. Jos akkuneestettä joutuu iholle, huuhtelee ihoalue vedellä. Jos neste joutuu kosketuksiin silmien kanssa, ota myös yhteys lääkäriin.** Akkuneeste voi aiheuttaa ihoärsytystä tai palovammoja.
- **Älä käytä vaurioitunutta tai muutettua akkuä tai työkaluä. Jos tuotteessa käytetään vaurioituneita tai muutettuja akkuja, tuote ei välttämättä toimi asianmukaisesti. Seurauksena saattaa olla tulipalo, räjähdys tai tapaturma.**
- **Älä altista akkuä tai työkaluä tulelle tai korkeille lämpötiloille.** Laitteen altistuminen tulelle tai yli 130 °C:n lämpötilalle voi aiheuttaa räjähdysken.

- **Noudata kaikkia latausohjeita äläkä lataa akkua tai työkalua ohjeissa määritetyn lämpötila-alueen ulkopuolella.** Akun lataaminen väärin tai sallituista lämpötiloista poikkeavissa olosuhteissa voi vahingoittaa akkua ja lisätä tulipaloriskiä.

Huolto

- **Anna sähkötyökalun korjaaminen pätevän korjaajan tehtäväksi, joka käyttää vain täysin samanlaisia vaihto-osia.** Tämä varmistaa, että sähkötyökalu säilyy turvallisena käyttäjä.
- **Älä koskaan huolla vahingoittuneita akkuja.** Akkuja saavat huoltaa vain valmistaja ja valtuutetut palveluntarjoajat.

Käytä aina tervettä järkeä

On mahdotonta kuvata kaikkia mahdollisia tilanteita, joita laitteen käytössä voi ilmetä. Ole aina varovainen ja käytä tervettä järkeä. Vältä tilanteita, mihin et katso taitosi riittävän. Mikäli olet vielä näiden ohjeiden lukemisen jälkeen epävarma menettelytavoista, sinun on kysyttävä neuvoa asiantuntijalta ennen jatkamista.



VAROITUS: Älä anna koskaan lasten käyttää laitetta tai oleskella sen läheisyydessä. Koska laite on helppo käynnistää, myös lapset saattavat pystyä käynnistämään sen, ellei heitä valvota. Tämä voi johtaa vakaviin henkilövahinkoihin. Irota sen vuoksi akku aina, kun laite on ilman valvontaa.

Yleiset turvallisuusohjeet



VAROITUS: Lue seuraavat varoitukset ennen tuotteen käyttöä.

- Irota akku käytön jälkeen, jotta tuote ei käynnisty vahingossa.
- Tämä tuote on vaarallinen työkalu, jos sitä käytetään huolimattomasti tai väärin. Tämä tuote voi aiheuttaa käyttäjälle tai sivullisille vakavia vammoja tai kuoleman.
- Älä käytä tuotetta, jos sen alkuperäisiä ominaisuuksia on muutettu. Älä muuta edes osaa tuotteesta ilman valmistajan lupaa. Käytä vain valmistajan hyväksymiä osia. Virheellinen huolto voi aiheuttaa tapaturman tai kuoleman.
- Tarkista tuote ennen käyttöä. Katso *Tarkastus ennen käynnistystä sivulla 174* ja *Ennen laitteen käyttöä sivulla 181*. Älä käytä tuotetta, joka on vahingoittunut tai joka ei toimi oikein. Noudata tässä käyttöohjeessa annettuja turvallisuustarkastuksia, kunnossapitoa ja huoltoa koskevia ohjeita.
- Lapsia on valvottava, jotta voidaan varmistaa, etteivät he leiki tuotteella. Älä koskaan anna lasten tai henkilöiden, joille ei ole annettu tuotteen ja/tai akun käyttökoulutusta, käyttää tai korjata

sitä. Paikalliset määräykset saattavat asettaa ikärajoituksia käyttäjille.

- Säilytä tuotetta lukitussa varastossa, jonne lapset ja asiattomat henkilöt eivät pääse.
- Säilytä laite lasten ulottumattomissa.
- Tuotteen rakennetta ei missään tapauksessa saa muuttaa ilman valmistajan lupaa. Käytä aina alkuperäisiä lisävarusteita. Hyväksymättömien muutosten ja/tai lisävarusteiden käyttö voi aiheuttaa käyttäjälle ja muille vakavia vahinkoja tai kuoleman.

Huomautus: Käyttöä säädellään mahdollisesti kansallisilla tai paikallisilla laeilla. Noudata ilmoitettuja määräyksiä.

Turvallisuusohjeet käyttöä varten



VAROITUS: Lue seuraavat varoitukset ennen laitteen käyttämistä.

- **Älä käytä laitetta epäsuotuisissa sääolosuhteissa, etenkin jos salamointi on mahdollista.** Näin pienennät salamankiskujen riskiä.
- **Tarkista perusteellisesti koneen käyttöalueella elävät luontokappaleet.** Luontokappaleet voivat loukkaantua koneen käytön aikana.
- **Tarkista koneen käyttöalue huolellisesti ennen käyttöä ja poista kaikki kivet, risut, johdot, luut ja muut vierasesineet.** Sinkoutuvat esineet voivat aiheuttaa henkilövahinkoja.
- **Tarkasta aina ennen käyttöä silmämääräisesti, että leikkuri ja leikkurikokoonpano eivät ole vaurioituneet.** Vaurioituneet osat lisäävät loukkaantumisvaaraa.
- **Pidä suojukset paikollaan. Suojusten on oltava toimintakunnossa ja oikein asennettuina.** Irrallinen, vaurioitunut tai huonosti toimiva suojus voi aiheuttaa henkilövahinkoja.
- **Pidä kaikki jäähdytysilman tuloaukot puhtaina roskista.** Tukkeutuneet tuloaukot ja roskat voivat aiheuttaa ylikuumenemista tai tulipalon vaaran.
- **Käytä aina suojalaseja ja kuulonsuojaimia.** Riittävät suojavarusteet vähentävät henkilövahinkoja.
- **Käytä aina koneen käytön aikana luistamattomia suojajalkineita. Älä käytä konetta avojaloin tai avoimet sandaalit jalassa.** Tämä vähentää jalkojen loukkaantumisen vaaraa, jos ne osuvat liikkuvaan leikkuriin.
- **Käytä aina konetta käyttäessäsi peittäviä vaatteita, kuten housuja, jotka peittävät jalkasi kunnolla.** Kosketus liikkuvaan leikkuriin tai siimaan voi aiheuttaa vammoja.
- **Pidä sivulliset poissa, kun käytät konetta.** Sinkoutuvat roskat voivat johtaa vakavaan henkilövahinkoon.
- **Älä käytä laitetta vyötärötason yläpuolella.** Tämä auttaa estämään tahattoman leikkurikosketuksen ja mahdollistaa paremman koneen hallinnan odottamattomissa tilanteissa.

- **Ole varovainen, kun käytät konetta ruohon ollessa märkää. Liiku kävelyvauhtia, ei juosten.** Tämä vähentää liukastumisen ja kaatumisen vaaraa, josta voi aiheutua henkilövahinkoja.
- **Älä käytä konetta hyvin jyrkissä rinteissä.** Tämä vähentää hallinnan menettämisen, liukastumisen ja kaatumisen vaaraa, josta voi aiheutua henkilövahinkoja.
- **Kun työskentelet rinteissä, pidä jalkasi tukevasti maassa. Käytä konetta aina sivusuunnassa rinteeseen nähden äläkä koskaan ala- tai yläsuunnassa. Ole erittäin varovainen, kun vaihdat suuntaa.** Tämä vähentää hallinnan menettämisen, liukastumisen ja kaatumisen vaaraa, josta voi aiheutua henkilövahinkoja.
- **Pidä kaikki virtajohdot ja kaapelit poissa leikkuualueelta.** Käytön aikana virtajohdot tai kaapelit voivat jäädä näkyvättömiin pensasaitoihin tai pensaikkoihin, jolloin siima tai leikkuri saattaa vahingossa leikata tai vaurioittaa niitä.
- **Pidä kaikki kehon osat poissa trimmerileikkurin tai -siiman ulottuvilta. Älä poista materiaalia koneesta, ennen kuin se on irrotettu virtalähteestä.** Liikkuva trimmerileikkuri tai -siima voi aiheuttaa vakavia vammoja.
- **Kanna konetta virta katkaistuna ja pois päin kehostasi.** Koneen asianmukainen käsittely pienentää tahattoman, liikkuvaan trimmerileikkuriin tai -siimaan kosketuksen riskiä.
- **Käytä vain valmistajan määrittämiä leikkuupäitä ja trimmerileikkureita tai -silmoja. Älä vaihda trimmerileikkureita tai -silmoja metallijohtoihin tai -tertiin.** Vääränlaiset varaosat voivat aiheuttaa hallinnan menetyksen, rikkoutumisen ja loukkaantumisen.

Henkilökohtainen suojavarustus



VAROITUS: Lue seuraavat varoitusohjeet ennen laitteen käyttämistä.

- Käytä aina hyväksytyjä henkilökohtaisia suojavarusteita, kun käytät laitetta. Henkilökohtaiset suojavarusteet eivät poista tapaturmien vaaraa, mutta ne lieventävät vammoja onnettomuustilanteessa. Anna jälleenmyyjän auttaa oikeiden varusteiden valinnassa.
- Käytä hyväksytyjä kuulonsuojaimia.

(Kuva 21)

- Käytä hyväksytyjä silmäsuojaimia. Visiiriä käytettäessä on käytettävä myös hyväksytyjä suojalaseja. Hyväksytyillä suojalaseilla tarkoitetaan laseja, jotka täyttävät standardin ANSI Z87.1 (Yhdysvallat) tai EN 166 (EU-maat) vaatimukset.

(Kuva 22)

- Käytä käsineitä tarvittaessa esimerkiksi terävarustuksen asennuksen, tarkastuksen ja puhdistuksen aikana.

(Kuva 23)

- Käytä turvajalkineita, joissa on teräskärjet ja luistamattomat pohjat.

(Kuva 24)

- Käytä lujasta materiaalista valmistettuja vaatteita. Käytä aina vahvakankaisia pitkiä housuja ja pitkähihaista takkia. Vältä liian löysiä vaatteita, jotka tarttuvat helposti risuihin ja oksiiin. Älä käytä koruja, lyhyitä housuja tai sandaaleja. Älä ole paljain jaloin. Sido hiukset turvallisesti olkapäiden yläpuolelle.
- Pidä ensiaputarvikkeet lähettyvillä.

(Kuva 25)

Tuotteen turvalaitteet



VAROITUS: Lue seuraavat varoitukset ennen tuotteen käyttöä.

Tässä osassa kerrotaan laitteen turvaominaisuuksista ja niiden toiminnasta sekä annetaan tarkastus- ja kunnossapito-ohjeet, joilla varmistetaan laitteen toimivuus. Lue kohdasta *Johdanto sivulla 172* tiedot siitä, missä osat sijaitsevat laitteessa.

Laitteen käyttöä voi lyhentyä ja onnettomuusvaara kasvaa, jos laitteen kunnossapitoa ei suoriteta oikein ja jos huoltoa ja/tai korjauksia ei tehdä ammattitaitoisesti. Saat lisätietoja lähimmästä huoltoliikkeestä.



VAROITUS: Älä koskaan käytä tuotetta, jos sen turvalaitteet ovat vaurioituneet. Laitteen turvalaitteet on tarkastettava ja pidettävä kunnossa tässä osassa esitetyllä tavalla. Jos laitteessasi ilmenee tarkastettaessa puutteita, se on toimitettava huoltoliikkeeseen korjattavaksi.



HUOMAUTUS: Kaikki laitteen huolto- ja korjaustyöt vaativat erikoiskoulutusta. Tämä koskee erityisesti laitteen turvavarustusta. Jos laitteessa havaitaan puutteita alla luetuissa tarkastuksissa, on sinun otettava yhteys huoltoliikkeeseen. Hankkimalla laitteen meiltä varmistat, että saat sille ammattimaisen korjauksen ja huollon. Jos ostat laitteen muusta kuin huollot suorittavasta ammattiliikkeestä, pyydä myyjää neuvomaan lähin huoltoliike.

Käyttöliittymän tarkistaminen

Vihreä merkkivalo (A) näyttää akun latauksen tilan, kun laiteeseen on kytketty virta, mutta se ei ole käytössä.

1. Pidä virtapainiketta (B) painettuna. (Kuva 26)
 - a) Jos vihreät merkkivalot (A) palavat, laite on käynnissä.

- b) Jos vihreät merkkivalot (A) eivät pala, laite ei ole käynnissä.
2. Katso kohdasta *Vianmäärittäminen sivulla 184* ohjeita, jos varoitusmerkkivalo (C) palaa tai vilkkuu:

Käyttöliipaisimen varmistimen tarkistaminen

Käyttöliipaisimen varmistin estää laitteen tahattoman käynnistymisen. Kun painat käyttöliipaisimen varmistinta (A), käyttöliipaisin (B) vapautuu. Kun irrotat otteen kahvasta, sekä käyttöliipaisin että varmistin palautuvat lähtöasentoonsa.

(Kuva 27)

1. Varmista, että käyttöliipaisin on lukittu, kun käyttöliipaisimen varmistin on alkuasennossa.

(Kuva 28)

2. Paina käyttöliipaisinta ja varmista, että se palautuu lähtöasentoonsa, kun se vapautetaan.

(Kuva 29)

3. Tarkista, että käyttöliipaisin ja sen varmistin liikkuvat vapaasti ja palautusjousi toimii oikein.

(Kuva 30)

4. Käynnistä kone. Katso kohdasta *Laitteen käynnistäminen sivulla 182*.

5. Vapauta käyttöliipaisin ja varmista, että terävarustus pysähtyy.

Terälaitteen suojuksen tarkistaminen



VAROITUS: Älä käytä terälaitetta ilman hyväksyttyä ja oikein kiinnitettyä terälaitteen suojusta. Käytä aina käyttämällesi terälaitteelle suositeltua suojusta. Katso kohta *Tekniset tiedot sivulla 185*. Jos terälaitteeseen asennetaan väärä tai viallinen suojuks, se voi aiheuttaa vakavan henkilövahingon.

Terälaitteen suojuks pysäyttää käyttäjää kohti sinkoutuvat esineet. Suojuks ehkäisee myös terälaitteen koskettamisesta syntyviä vammoja.

1. Pysäytä moottori.
2. Tarkista silmämääräisesti, onko vaurioita, kuten halkeamia.
3. Vaihda terälaitteen suojuks, jos se on vaurioitunut.

Terävarustus

Valitse oikea terävarustus ja huolla se, jotta

- saat parhaan leikkuutehon
- ja terävarustuksen käyttöikä pitenee.



VAROITUS: Käytä terävarustuksessa vain suosittelemaamme suojuks! Katso *Tekniset tiedot sivulla 185*. Katso terävarustuksen ohjeista trimmerin siiman kelausohjeet ja oikean trimmerin siimakoon valinta.



VAROITUS: Viallinen terävarustus voi lisätä onnettomuuksien vaaraa.

Siimapää



VAROITUS: Varmista aina, että trimmerin siima kelaatuu tiukalle ja tasaisesti puolalle. Muussa tapauksessa laite aiheuttaa terveydelle haitallista ääntä.

(Kuva 31)

- Käytä vain suositeltuja siimapäitä ja trimmerin siimoja.
- Käytä vain suositeltuja terälaitteita.
- Pieni laite vaatii pienet siimapäät ja päinvastoin.
- Trimmerin siiman pituudella on merkitystä. Pitkä trimmerin siima vaatii suuremman moottoritehon kuin yhtä paksu, mutta lyhyempi siima.
- Varmista, että siimapään suojuksessa oleva veitsi on ehjä. Trimmerin siima katkaistaan sillä oikeanpituiseksi.
- Pidennä trimmerin siiman käyttöikä liottamalla sitä vedessä muutaman päivän ajan ennen käyttöä.

Akkuturvallisuus



VAROITUS: Lue kaikki turvallisuus- ja yleisohjeet. Turvallisuus- ja yleisohjeiden noudattamisen laiminlyöminen voi johtaa sähköiskuun, tulipaloon ja/tai vakavaan tapaturmaan. **Säilytä turvallisuus- ja yleisohjeet tulevaa käyttöä varten.**

- Turvallisuusohjeet koskevat vain järjestelmän **POWER FOR ALL 18 V:n** ladattavia litiumioniakkuja.
- Käytä ladattavaa akkuja vain **POWER FOR ALL-järjestelmäkumppanien tuotteissa**. Ladattavat 18 V:n akut, joissa on merkintä POWER FOR ALL, ovat täysin yhteensopivia seuraavien tuotteiden kanssa:
 - Kaikki 18 V:n POWER FOR ALL-akkujärjestelmän tuotteet.
 - Kaikki 18 V:n tuotteet POWER FOR ALL-järjestelmäkumppaneilta.
- **Noudata tuotteen käyttöoppaassa annettuja akkusuosituksia.** Tämä on ainoa keino varmistaa ladattavan akun ja tuotteen turvallinen käyttö ja suojata akku vaaralliselta ylikuormitukselta.

- **Lataa akut vain valmistajan tai POWER FOR ALL-järjestelmäkumppanien suosittelemilla laturilla.** Muuhun akkutyyppiin sopiva laturi voi aiheuttaa käytettäessä tulipalovaaran.
- **Akku toimitetaan osittain ladattuna.** Jotta akun kapasiteetti olisi paras mahdollinen, lataa akku täyteen ennen kuin käytät sähkötyökalua ensimmäisen kerran.
- **Säilytä akut poissa lasten ulottuvilta.**
- **Älä avaa akkua.** Tämä aiheuttaa oikosulkuvaaran.
- **Jos akku vaurioituu tai sitä käytetään väärin, akusta voi vapautua höyryjä.** Akku voi syttyä tuleen tai räjähtää. Varmista, että alue on hyvin tuuletettu, ja hakeudu lääkäriin, jos havaitset haittavaikutuksia. Höyryt voivat ärsyttää hengityselimiä.
- **Jos akkua käytetään väärin tai se on vahingoittunut, akusta voi tihkua syttyviä nestettä.** Vältä kontaktia tällaisen nesteen kanssa. Jos nestettä joutuu vahingossa iholle, huuhtelee se vedellä. Jos nestettä joutuu silmiin, hakeudu lisäksi lääkärin hoitoon. Akkuneste voi aiheuttaa ihoärsytystä tai palovammoja.
- **Jos akku on vaurioitunut, nestettä voi purkautua ja valua lähellä oleville pinnoille.** Tarkista vaurioituneet osat. Puhdista osat ja vaihda ne tarvittaessa.
- **Älä aiheuta akuston oikosulkuja.** Kun akkua ei käytetä, pidä se etäällä metalliesineistä, kuten paperiliittimistä, kolikoista, avaimista, nauloista, ruuveista tai muista pienistä metalliesineistä, jotka saattavat aiheuttaa kosketuksen liittinten välillä. Akkuliitinten saattaminen keskenään oikosulkuun voi aiheuttaa palovammoja tai tulipalon.
- **Akku voi vahingoittua siihen kohdistuvasta voimasta tai terävistä esineistä, kuten nauloista tai ruuvimeiseleistä.** Sisäinen oikosulku voi aiheuttaa akun palamisen, savuamisen, räjähtämisen tai ylikuumentumisen.
- **Älä koskaan huolla vahingoittuneita akkuja.** Akkuja saavat huoltaa vain valmistaja ja valtuutetut palveluntarjoajat.
- **Suojaa akku tulta, lialta, vedeltä, kosteudelta ja kuumuudelta, kuten jatkuvalta voimakkaalta auringonvalolta.** Akku voi räjähtää tai voi aiheuttaa oikosulkuja.
- **Käytä tuotteen akkua ainoastaan lämpötiloissa -5 °C — 40 °C.**
- **Säilytä akkua vain lämpötilassa -20 °C — 50 °C.** Älä esimerkiksi jätä akkua autoon kesällä. Kun lämpötila on < 0 °C, joidenkin laitteiden teho voi heiketä.
- **Lataa akkua vain lämpötilassa 0 °C — 35 °C.** Lataaminen tämän lämpötila-alueen ulkopuolella saattaa vaurioittaa paristoa ja aiheuttaa palovaaran.

Akkulaturin turvallisuus



VAROITUS: Lue kaikki turvallisuus- ja yleisohjeet. Turvallisuus- ja yleisohjeiden noudattamisen laiminlyöminen voi johtaa sähköiskuun, tulipaloon ja/tai vakavaan

tapaturmaan. **Säilytä nämä ohjeet turvallisuudessa palkassa.** Käytä laturia vain, jos pystyt täysin arvioimaan kaikki toiminnot ja suorittamaan ne rajoituksetta tai jos olet saanut vastaavat ohjeet.

- **Valvo lapsia laitteen käytön, puhdistuksen ja huollon aikana.** Näin voidaan varmistaa, että lapset eivät leiki laturilla.
- **Lataa vain POWER FOR ALL 18 V:n akkujärjestelmän akkuja, joiden kapasiteetti on enintään 1,5 Ah (vähintään 5 akkukennoa).** Akun jännitteen on vastattava laturin akun latausjännitettä. **Älä lataa akkuja, jotka eivät sovellu uudelleenlataukseen.** Muuten on olemassa tulipalon ja räjähdyksen vaara.
- **Älä altista laturia sateelle tai märille olosuhteille.** Sähkötyökaluun tunkeutunut vesi lisää sähköiskun vaaraa.
- **Pidä laturi puhtaana.** Lika aiheuttaa sähköiskun vaaran.
- **Tarkista aina laturi, kaapeli ja pistoke ennen käyttöä.** Lopeta laturin käyttö, jos havaitset vaurioita. **Älä avaa laturia itse, vaan vie se korjattavaksi pätevälle asiantuntijalle, joka käyttää ainoastaan alkuperäisiä varaosia.** Vaurioituneet laturi, kaapelit ja pistokkeet lisäävät sähköiskun vaaraa.
- **Älä käytä laturia helposti syttyvällä pinnalla (esim. paperi, tekstiili) tai helposti syttyvässä ympäristössä.** Laturi kuumentee käytön aikana, mikä aiheuttaa tulipalon vaaran.
- **Lataa akku ainoastaan valmistajan tarkoitukseen nimeämällä laturilla.** Tietynlaisen akustoon soveltuva laturi voi aiheuttaa tulipalon vaaran, jos sitä käytetään toisenlaisen akuston lataamiseen.
- **Jos akku vaurioituu tai sitä käytetään väärin, akusta voi myös vapautua höyryjä.** Varmista, että alue on hyvin tuuletettu, ja hakeudu lääkäriin, jos havaitset haittavaikutuksia. Höyryt voivat ärsyttää hengityselimiä.
- **Akusta voi tihkua nestettä väärissä olosuhteissa.** Vältä kontaktia tällaisen nesteen kanssa. **Jos nestettä joutuu vahingossa iholle, huuhtelee se vedellä. Jos nestettä joutuu silmiin, hakeudu lisäksi lääkäriin hoitoon.** Akkuneste voi aiheuttaa ihoärsytystä tai palovammoja.
- **Älä peitä laturin ilmanvaihtaukkoja.** Muuten laturi voi ylikuumentua eikä se enää toimi kunnolla.
- **Jotta vältytään turvallisuusriskeiltä, virtalähteen johto tulee vaihdattaa Husqvarmalla tai Husqvarman sähkötyökalujen korjaamiseen valtuutetulla huoltokeskuksella.**
- **Vain Isossa-Britanniassa myytävät tuotteet:** Laitteesi on varustettu BS 1363/A -standardin mukaisella sähköpistokkeella, jossa on sisäinen sulake (ASTA-sertifioitu BS 1362 -standardin mukaisesti). Jos pistoke ei sovi pistorasiaan, pistoke on katkaistava ja valtuutetun huoltohenkilön on asennettava sen tilalle sopiva pistoke. Vaihtopistokkeessa on oltava sama sulakeluokitus kuin alkuperäisessä pistokkeessa.

Katkaistu pistoke on hävitettävä sähköiskun vaaran välttämiseksi, eikä sitä saa koskaan enää laittaa pistorasiaan.



VAROITUS: Sydänkohtauksen vaarat

Tuote muodostaa käytön aikana sähkömagneettisen kentän. Kenttä saattaa joissakin olosuhteissa häiritä aktiivisten tai passiivisten lääketieteellisten implanttien toimintaa. Vakavien tai hengenvaarallisten tapaturmien ehkäisemiseksi kehotamme lääketieteellisiä implantteja käyttäviä henkilöitä neuvottelemaan lääkärin ja lääketieteellisen implantin valmistajan kanssa ennen tuotteen käyttöä.



VAROITUS: Tukehtumisvaarat

Pienet osat voivat joutua nieluun. Lisäksi muovipussi voi aiheuttaa tukehtumisvaaran lapsille. Pidä lapset etäällä asennuksen aikana.

Turvaohjeet huoltoon varten



VAROITUS: Lue seuraavat varoitusohjeet ennen laitteen huoltamista.

Asentaminen

Johdanto



VAROITUS: Lue ja sisäistä turvallisuutta käsittelevä luku ennen laitteen asentamista.

Trimmerin suojuksen kiinnittäminen

1. Aseta trimmerin suojus moottorikotelon päälle. (Kuva 32)
2. Aseta kaksi pulttia moottorikotelon ja trimmerin suojuksen läpi. (Kuva 33)
3. Kiristä pultit.

Siimapään asennus

1. Käännä käyttöakselia, kunnes jousilevyn reikä on kulmavaihdokotelon reiän kohdalla.
2. Lukitse runkoputki yhdistelmätyökälulla.
3. Kierrä siimapäätä myötäpäivään. (Kuva 34)

Kasvisuojan asennus

1. Asenna kasvisuoja moottorikotelon reikiin. (Kuva 35)

- Irrota akku ennen laitteen huoltoa, muita tarkistuksia tai kokoamista.
- Käyttäjän on huolehdittava ainoastaan tässä käyttöohjekirjassa kuvatuista korjaus- ja huoltotoimista. Anna huoltoliikkeen tehdä suuremmat korjaus- ja huoltotoimet.
- Älä pese akkua tai akkulaturia vedellä. Vahvat pesuaineet voivat vaurioittaa muovia.
- Laitteen huoltamatta jättäminen lyhentää sen käyttöikää ja lisää onnettomuusrisiä.
- Laitteen huolto- ja korjaustyöt, erityisesti laitteen turvalaitteille tehtävät työt, vaativat erityiskoulutusta. Jos kaikkia käyttöohjekirjassa lueteltuja tarkastuksia ei huollon jälkeen voida suorittaa hyväksytysti, vie laite huoltoliikkeeseen. Siellä laitteesi huolletaan ja korjataan ammattimaisesti.
- Käytä vain alkuperäisiä varaosia.

2. Varmista, että kasvisuoja liikkuu vapaasti eteen- ja taaksepäin. (Kuva 36)

Koukun kiinnitys seinään

- Kiinnitä koukku seinään sisätiloihin.
- Älä aseta koukku suoraan auringonpaisteeseen. Lämpötilan tulee olla $-10\text{ }^{\circ}\text{C}$ - $70\text{ }^{\circ}\text{C}$.
- Koukku voidaan asentaa, kipsilevy-, puu- tai betoniseinään.



HUOMAUTUS: Varmista, että seinä kestää vähintään 30 kg:n kuorman.

- Kiinnitä tuote seinään kolmella ruuvilla (A). Käytä tarvittaessa ruuvitulppia (B). (Kuva 37)



HUOMAUTUS: Varmista, että ruuvit sopivat seinän materiaaliin.

- Lisätietoa laitteellesi saatavana olevista varustoinnista lisävarusteista saat ottamalla yhteyttä Husqvarna-huoltoon.

Käyttö

Johdanto



VAROITUS: Lue ja sisäistä turvallisuutta käsittelevä luku ennen laitteen käyttöä.

Ennen laitteen käyttöä

- Varmista työaluetta tutkimalla, että tunnet maaston laadun. Tarkista maaston kaltevuus ja mahdolliset esteet, kuten kivet, oksat ja ojat.
- Suorita tuotteen yleistarkastus.
- Tee tässä ohjekirjassa kuvatut turvallisuustarkastukset ja huolto- ja ylläpitotoimenpiteet.
- Tarkista moottori liian murtumien varalta. Poista moottorista ruoho ja lehdet harjalla. Käytä tarvittaessa suojakäsineitä.
- Tarkista siimapää ja terälaitteen suojus vaurioiden tai halkeamien varalta. Vaihda siimapää ja terälaitteen suojus, jos niissä on kolhuja tai halkeamia.
- Varmista, että kaikki ruuvit ja mutterit on kiristetty.
- Varmista ennen laitteen käyttöä, että kaikki kannet, suojukset, kahvat ja terävarustus on kiinnitetty oikein, eikä niissä ole vaurioita.

Akku



VAROITUS: Ennen kuin käytät akkua, lue turvallisuutta käsittelevä luku niin, että ymmärrät sen sisällön. Lue myös akun ja akkulaturin käyttöohje niin, että ymmärrät sen sisällön.

Säilytä akku ja laturi oikeassa lämpötilassa.

	Ympäristön lämpötila
Akun käyttäminen laitteessa	-5 °C — 40 °C
Akun lataaminen	0 °C — 35 °C

Akun lataaminen

Lataa akku ennen ensimmäistä käyttökertaa.

Huomautus: Akku ei lataudu, jos akun lämpötila on yli +35 °C.

1. Kytke sitten akkulaturin virtajohto maadoitettuun pistorasiaan.



HUOMAUTUS: Varmista, että verkkovirrassa on oikea jännite ja taajuus.

2. Aseta akku akkulaturiin. Akku on liitetty akkulaturiin, kun vihreä merkkivalo vilkkuu. (Kuva 38)
3. Akku on ladattu täyteen, kun akkulaturin vihreä merkkivalo palaa. Lataa akkua enintään 24 tuntia.
4. Irrota akkulaturi verkkovirrasta.



HUOMAUTUS: Älä vedä virtajohdosta.

5. Irrota akku akkulaturista.

Akun tilan merkkivalo akkulaturissa

Akkulaturin punainen merkkivalo (A) ja vihreä merkkivalo (B) ilmaisevat akun tilan. Katso kohta *Akun tilan merkkivalo laitteessa sivulla 181*.

(Kuva 39)

Merkkivalo	Akun tila
Vihreä merkkivalo vilkkuu nopeasti.	Akkua ladataan.
Vihreä merkkivalo vilkkuu hitaasti.	Akun varaustaso on 80 %.
Vihreä merkkivalo palaa.	Akku on ladattu täyteen.
Punainen merkkivalo palaa.	Katso kohta <i>Akun tilan merkkivalo laitteessa sivulla 181</i> .
Punainen merkkivalo vilkkuu nopeasti.	Katso kohta <i>Akun tilan merkkivalo laitteessa sivulla 181</i> .

Akun tilan merkkivalo laitteessa

Kun akku on asennettu laitteeseen, laitteen merkkivalot ilmaisevat akun tilan.

(Kuva 40)

Merkkivalo	Akun tila
Merkkivalot 1, 2 ja 3 palavat.	Täyteen ladattu.
Merkkivalot 1 ja 2 palavat.	Riittävästi ladattu
Merkkivalo 1 palaa.	Akun virta on vähissä.

Merkkivalo	Akun tila
Merkkivalo 1 vilkkuu.	Akku on tyhjä. Akun lataustilan ilmaisin vilkkuu. Lataa akku. Katso kohta <i>Akun lataaminen sivulla 181</i> .

Akun kiinnittäminen laitteeseen



VAROITUS: Käytä akkua vain 18 V:n POWER FOR ALL-järjestelmän tuotteiden kanssa.

1. Varmista, että akku on täysin ladattu.
2. Aseta akku laitteen akkupidikkeeseen. Jos akku ei asetu pidikkeeseen vaivatta, sitä ei ole asennettu oikein.

(Kuva 41)

3. Akku lukittuu paikalleen, kun kuulet napsahduksen.

Laitteen käynnistäminen

1. Paina virtapainiketta ja pidä se painettuna, kunnes vihreä merkkivalo syttyy. (Kuva 42)
2. Paina käyttöliipaisimen varmistinta ja käyttöliipaisinta. Terävarustus alkaa pyöriä.

Kaarikahvan ja teleskooppivarren säätäminen

1. Paina kaarikahvan säätöpainiketta.

(Kuva 43)

2. Säädä kaarikahva sopivaan asentoon.
3. Vapauta kaarikahvan säätöpainike.
4. Irrota runkoputken vipu. (Kuva 44)
5. Aseta runkoputken pituus.
6. Sulje vipu ja kiristä ruuvi.

Huomautus: Seuraavassa kuvassa havainnollistetut kaarikahvan asennot on tarkoitettu vain kuljetusta ja/tai varastointia varten.

(Kuva 45)

Automaattinen pysäytystoiminto

Laitteessa on automaattinen pysäytystoiminto, joka pysäyttää laitteen, kun sitä ei käytetä. Laitteen sammumisaika on 3 minutes.

Laitteen käyttö

Ruohon siistiminen

1. Pidä siimapää aivan maanpinnan yläpuolella ja kallista sitä. Älä paina siimaa ruuhon. (Kuva 46)
2. Lyhennä siiman pituutta noin 8–10 cm.

Ruohon raivaaminen

1. Pidä siimapää maanpinnan yläpuolella.
2. Kallista siimapäätä.
3. Leikkaa siiman päällä työalueella olevien kohteiden ympäriä.



HUOMAUTUS: Leikkaa ruohoa. Siiman osuminen muihin kohteisiin kuluttaa siimaa.

Ruohon leikkaaminen

1. Varmista, että siima on maanpinnan suuntainen, kun leikkaat ruohoa. (Kuva 47)
2. Älä paina siimapäätä maahan. Se voi vaurioittaa laitetta.
3. Liikuta laitetta puolelta toiselle, kun leikkaat ruohoa. (Kuva 48)

Ruohon lakaiseminen

Leikatun ruohon voi poistaa alueelta pyörivän trimmerin siiman aiheuttaman ilmavirran avulla.

1. Pidä siimapäätä ja siimaa maan suuntaisesti maan yläpuolella.
2. Lakaise ruoho liikuttamalla siimapäätä puolelta toiselle.



VAROITUS: Puhdista siimapään kansi aina, kun asennat uuden siiman, epätasapainon ja kahvojen tärinän estämiseksi. Tarkista myös muut siimapään osat ja puhdista tarvittaessa.

Laitteen pysäyttäminen

1. Vapauta käyttöliipaisin ja käyttöliipaisimen varmistin.
2. Paina virtapainiketta, kunnes vihreä merkkivalo sammuu.
3. Paina akun vapautuspainiketta ja irrota akku laitteesta. (Kuva 49)

Siiman vaihto

Katso tämän käyttöohjekirjan viimeinen sivu.

Huolto

Johdanto



VAROITUS: Lue ja sisäistä turvallisuutta käsittelevä luku ennen laitteen huoltamista.

Huoltokaavio



VAROITUS: Irrota akku, ennen kuin alat tehdä huoltotoimia.

Alla on luettelo laitteelle tehtävistä huoltotoimista. Katso lisäohjeita osiosta *Huolto sivulla 183*.

Huolto	Päivittäin	Viikoittain	Kuukausittain
Puhdista laitteen ulko-osat kuivalla liinalla. Älä käytä vettä.	X		
Tarkista, että käynnistys-/pysäytyspainike toimii kunnolla ja että se on ehjä.	X		
Varmista, että käyttöliipaisin ja sen varmistin toimivat asianmukaisesti turvallisuuksia ajatellen.	X		
Varmista, että kaikki ohjaimet toimivat ja ovat ehjiä.	X		
Pidä kahvat kuivina, puhtaina ja öljyttöminä sekä puhtaana vaseliinista.	X		
Varmista, ettei terälaite ole vaurioitunut. Vaihda terälaite, jos se on vaurioitunut.	X		
Varmista, että terälaitteen suojus ei ole vaurioitunut. Vaihda terälaitteen suojus, jos se on vaurioitunut.	X		
Varmista, että kaikki ruuvit ja mutterit on kiristetty.	X		
Varmista, että akun vapautuspainikkeet toimivat ja lukitsevat akun laitteeseen.	X		
Tarkista, että laturi on ehjä ja toimii oikein.	X		
Varmista, ettei akku ole vaurioitunut.	X		
Varmista, että akku on ladattu.	X		
Varmista, että akkulaturi ei ole vaurioitunut.	X		
Tarkista kaikki kaapelit ja liitännät. Varmista, että ne ovat ehjiä ja puhtaita.		X	
Tarkista akun ja laitteen väliset kytkennät. Tarkista akun ja akkulaturin välinen kytkentä.			X

Akun ja akkulaturin tarkistaminen

1. Tarkista akku vaurioiden, kuten halkeamien, varalta.
2. Tarkista akkulaturi vaurioiden, kuten halkeamien, varalta.
3. Varmista, että akkulaturin johto ei ole vaurioitunut ja ettei siinä ole murtumia.

Laitteen, akun ja akkulaturin puhdistaminen

1. Puhdista laite käytön jälkeen kuivalla liinalla.
2. Puhdista akku ja akkulaturi kuivalla liinalla. Pidä akun ohjauskiskot puhtaina.

3. Varmista, että akun ja akkulaturin liittimet ovat puhtaat ennen kuin akku asetetaan akkulaturiin tai laitteeseen.

Siimapään tarkistaminen ja vaihtaminen

1. Tarkista, onko siimapäässä vaurioita tai halkeamia.
2. Käännä käyttöakselia, kunnes jousilevyn reikä on kulmavaihdekotelon reiän kohdalla.
3. Lukitse runkoputki yhdistelmätyökallulla.

4. Kierrä siimapäätä vastapäivään.

(Kuva 50)

5. Aseta siimapää takaisin paikalleen.

6. Asenna siimapää. Katso kohdasta *Siimapään asennus sivulla 180*.

Vianmääritys

Käyttöliittymä

Ongelma	Mahdolliset viat	Mahdollinen ratkaisu
Käynnistyksen vihreä merkkivalo vilkkuu.	Matala akun jännite.	Lataa akku.
Punainen vian merkkivalo vilkkuu	Ylikuormitus.	Terävarustus ei pääse liikkumaan vapaasti. Vapauta terävarustus.
	Lämpötilavaihtelu.	Anna laitteen jäähtyä.
	Käyttöliipaisinta ja käynnistyspainiketta painetaan samaan aikaan.	Vapauta käyttöliipaisin ja paina käynnistyspainiketta.
Vihreä ja punainen merkkivalo vilkkuvat vuorotellen.	Akku on tyhjä.	Lataa akku.
	Akku on vaurioitunut.	Ota yhteyttä huoltoliikkeeseen.

Akkulaturi

Akkulaturin merkkivalo	Syy	Ratkaisu
Vihreä merkkivalo palaa ja punainen merkkivalo vilkkuu.	Akkua ei ole asennettu oikein akkulaturiin.	Poista akku laturista ja asenna akku uudelleen akkulaturiin.
	Akkuliittimet ovat likaisia.	Puhdista akkuliittimet.
	Ympäristön lämpötila on liian korkea tai matala.	Käytä akkulaturia 0–35 °C:n lämpötilassa.
	Akku on viallinen.	Vaihda akku.
Vihreä ja punainen merkkivalo eivät pala.	Akkulaturia ei ole kytketty oikein pistorasiaan.	Liitä akkulaturi pistorasiaan.
	Viallinen pistorasia.	Kytke akkulaturi tyyppikilven mukaiseen verkkovirtaan ja taajuuteen.
	Akkulaturin kaapeli on viallinen.	Ota yhteys valtuutettuun huoltoliikkeeseen.
	Akkulaturi on viallinen.	
Muut virheet.	Jos muita virheitä ilmenee, sammuta laite, irrota akku ja ota yhteys valtuutettuun huoltoliikkeeseen.	

Kuljettaminen, säilyttäminen ja hävittäminen

Kuljetus ja säilytys

- Mukana tulleet litiumioniakut ovat vaarallisten aineiden lainsäädännön määräysten mukaisia.
- Pakkauksessa ja etiketissä olevia kaupallista tavarakuljetusta koskevia erityismääräyksiä on noudatettava, myös kolmansien osapuolten tai huolitsijoiden järjestämässä tavarakuljetuksessa.
- Keskustele erityiskoulutuksen saaneen vaarallisten aineiden asiantuntijan kanssa ennen tuotteen lähettämistä. Noudata kaikkia kansallisia määräyksiä.
- Teippaa paljaat liittimet pakatessasi akun. Aseta akku pakettiin tiukasti niin, ettei se pääse liikkumaan.
- Irrota akku varastoinnin tai kuljetuksen ajaksi.
- Säilytä akkua ja akkulatoria kuivassa paikassa, johon ei pääse kosteutta tai huurretta.
- Älä säilytä akkua paikassa, jossa on staattista sähköä. Älä säilytä akkua metallilaatikossa.
- Säilytä akkua -20–+50° C:n (-4–122 °F) lämpötilassa paikassa, jossa se ei ole suorassa auringonvalossa.
- Säilytä akkulatoria tilassa, jossa lämpötila on 5–45° C ja jossa se ei ole suorassa auringonvalossa.
- Säilytä tuotetta -40–+60 °C (-40–+140 °F) lämpötilassa.
- Käytä akkulatoria ainoastaan 0–35 °C:n (32–95 °F) lämpötilassa.
- Lataa akku ennen pitkäaikaista säilytystä niin, että sen varaustaso on 30–50 prosenttia.

- Säilytä akkua kuivassa ja suljetussa tilassa.
- Pidä akku erillään akkulatorista varastoinnin aikana. Älä anna lasten tai asiaankuuluttomien henkilöiden koskea laitteeseen. Säilytä laitetta lukollisessa tilassa.
- Puhdista ja huolla laite huolellisesti ennen pitkäaikaista säilytystä.
- Käytä kuljetussuojusta kuljetuksen ja varastoinnin aikana vaurioiden ja vammojen välttämiseksi.
- Kiinnitä laite hyvin kuljetuksen ajaksi.
- Säilytä laitetta pystysuorassa tai ripusta se mukana toimitettuun koukkuun. Katso kohdasta *Koukun kiinnitys seinään sivulla 180*.

(Kuva 51)

Akun, akkulatorin ja laitteen hävittäminen

Alla oleva symboli kertoo, että tuotetta ei saa hävittää kotitalousjätteen mukana. Vie se asianmukaiseen sähkö- ja elektroniikkalaitteiden keräyspisteeseen. Tämä auttaa estämään sekä ympäristö- että henkilövahinkoja.

Saat lisätietoja paikallisviranomaisilta, jätehuollolta tai jälleenmyyjältäsi.

(Kuva 18)

Huomautus: Symboli on joko tuotteessa tai sen pakkauksessa.

Tekniset tiedot

Tekniset tiedot

	Aspire T28-P4A
Moottori	
Moottorityyppi	PMDC
Käyttöakselin pyörimisnopeus, r/min	6 800
Leikkuuleveys, mm	280
Paino	
Paino ilman akkua, kg	2,6
Paino akun kanssa (P4A 18-B45 / P4A 18-B70), kg	3,0 / 3,3
Melupäästöt ²⁵	
Äänentehotaso, mitattu dB(A)	85

²⁵ Melupäästö ympäristöön äänitehona (L_{WA}) EY-direktiivin 2000/14/EY mukaisesti mitattuna. Taatun ja mitatun äänentehon erona on se, että taattu äänenteho sisältää myös mitatun tuloksen hajonnan ja vaihtelun saman mallin eri laitteiden välillä direktiivin 2000/14/EY mukaisesti.

	Aspire T28-P4A
Äänentehotaso, taattu L _{WA} dB(A)	88
Äänitasot ²⁶	
Ekvivalentti äänenpainetaso käyttäjän korvan tasalla mitattuna EN ISO 50636-2-91 -standardin mukaan, dB(A)	73
Tärinätasot ²⁷	
Kahvojen tärinätasot standardin EN50636-2-91 mukaan mitattuna, m/s ²	2,26/1,61
Varusteena siimapää (alkuperäinen), edessä/takana.	

Akku	P4A 18-B45	P4A 18-B72
Tyyppi	Litiumioni	Litiumioni
Akun kapasiteetti, Ah	Katso akun tyyppikilpi	Katso akun tyyppikilpi
Nimellisjännite, V	18	18
Paino, kg	0,4	0,7

Akkulaturi	P4A 18-C70
Verkkovirta, V	220–240
Taajuus, Hz	50–60
Teho, W	70
Lähtöjännite, V, tasavirta/ ampeeria, A	14,4–18

Tarvikkeet

Hyväksytyt lisävarusteet

Hyväksytyt lisävarusteet	Tyyppi	Terävarustuksen suojuus, Tuotenro
Siimapää	A15B M5 (Ø 1,6 mm:n siima)	536 47 32-01

²⁶ Ilmoitetuilla tiedoilla vastaavan laitteen äänenpainetason tyypillinen tilastollinen hajonta (vakiopoikkeama) on 3 dB (A).

²⁷ Ilmoitettujen tärinätasotietojen tyypillinen tilastollinen hajonta (vakiopoikkeama) on 1,5 m/s².

Vaatimustenmukaisuusvakuutus

EU-vaatimustenmukaisuusvakuutus

Husqvarna AB, SE-561 82 Huskvarna, Ruotsi, puh. +46
36 146500, vakuuttaa täten, että tuote:

Kuvaus	Akkukäyttöinen trimmeri
Tuotemerkki	Husqvarna
Tyyppi/malli	Aspire T28-P4A
Tunniste	Sarjanumerot vuodesta 2023 alkaen

vastaavat täysin seuraavien EU:n direktiivien ja
asetusten vaatimuksia:

Direktiivi/Asetus	Kuvaus
2006/42/EC	konedirektiivi
2014/30/EU	EMC-direktiivi
2000/14/EC	Melupäästädirektiivi
2011/65/EU	Direktiivi tiettyjen vaarallisten aineiden käytön rajoittamisesta sähkö- ja elektroniikkalaitteissa

ja että asiassa sovelletaan seuraavia standardeja
ja/tai teknisiä tietoja: EN 60335-1:2012/A15:2021,
EN 50636-2-91:2014, EN IEC 63000:2018, EN IEC
55014-1:2021; EN IEC 55014-2:2021.

Ilmoitettu tarkastuslaitos: 0158 DEKRA Testing and
Certification GmbH, Handwerkstraße 15, 70565
Stuttgart, Germany vakuuttaa yhdenmukaisuuden
neuvoston direktiivin 2000/14/EY mukaisesti,
vaatimustenmukaisuuden arviointimenettely: liite VI.

Katso lisätietoja melupäästöistä osiosta *Tekniset tiedot*
sivulla 185.

Huskvarna, 2023-12-14



Claes Losdal, tuotekehityspäällikkö, Husqvarna AB
Teknisestä dokumentaatiosta vastaava edustaja



Lisenssit

Copyright © 2012-2020 STMicroelectronics

Takuu ei koske vikoja, jotka johtuvat normaalista kulumisesta, laiminlyönnistä, virheellisestä käytöstä, luvattomasta korjauksesta tai siitä, että imulaitteisto on liitetty virheelliseen jännitteeseen.

Kaikki oikeudet pidätetään.

Jakelu ja käyttö lähde- ja binäärimuodoissa, muutoksitta tai muuttamatta, on sallittua edellyttäen, että seuraavat ehdot täyttyvät:

- Lähdekoodin uudelleenjakeluihin on sisällytettävä edellä oleva tekijänoikeusilmoitus, tämä ehtoluettelo ja jäljempänä oleva vastuuvapauslauseke.
- Binäärimuodossa olevien uudelleenjakeluiden mukana toimitettavaan dokumentaatioon ja/tai muuhun materiaaliin on sisällytettävä edellä oleva tekijänoikeusilmoitus, tämä ehtoluettelo ja seuraava vastuuvapauslauseke.
- STMicroelectronicsin nimeä tai sen toimittajien nimiä ei saa käyttää ohjelmistosta johdettujen tuotteiden mainostamiseen tai suosittelemiin ilman etukäteen saatua nimenomaista kirjallista lupaa.

TÄMÄN OHJELMISTON TARJOAVAT TEKIJÄNOIKEUKSIEN HALTIJAT JA YHTEISTYÖKUMPPANIT "SELLAISENAAN". KAIKKI VASTUUT NIMENOMAISISTA TAI OLETETUISTA TAKUISTA, MUKAAN LUKIEN OLETETUT TAKUUT MYYNTIKELPOISUUDESTA JA SOVELTUVUUDESTA TIETTYYN TARKOITUKSEEN, KIELLETÄÄN. TEKIJÄNOIKEUKSIEN OMISTAJA TAI TOIMITTAJAT EIVÄT MISSÄÄN TILANTEESSA OLE VASTUUSSA MISTÄÄN SUORISTA, EPÄSUORISTA, SATUNNAISISTA, ERITYISISTÄ, ESIMERKILLISISTÄ TAI VÄLILLISISTÄ VAHINGOISTA (MUKAAN LUKIEN KORVAAVIEN HYÖDYKKEIDEN TAI PALVELUJEN HANKINTA, KÄYTETTÄVYYDEN, TIETOJEN TAI TUOTTOJEN MENETYS TAI LIIKETOIMINNAN KESKEYTYMINEN) TAPAHTUNEEN SYYSTÄ TAI VASTUUTEORIASTA RIIPPUMATTA (SOPIMUKSEEN LIITTYVÄ TAI OBJEKTIIVINEN VASTUU TAI RIKKOMUS, MUKAAN LUKIEN LAIMINLYÖNTI), JOTKA JOHTUVAT JOLLAKIN TAVALLA TÄMÄN OHJELMISTON KÄYTTÖSTÄ, VAIKKA TÄLLAISTEN VAHINKOJEN MAHDOLLISUUDESTA OLISI ILMOITETTU.

Apache 2.0 -lisenssi

Copyright © 2009-2019 Arm Limited. Kaikki oikeudet pidätetään.

Versio 2.0, tammikuu 2004 <http://www.apache.org/licenses/>

KÄYTTÖ-, MONISTUS- JA JAKELUEHDOT

1. Määritelmät.

"**Lisenssi**" tarkoittaa tämän asiakirjan kohdissa 1-9 määritettyä käyttö-, monistus- ja jakeluehtoja. "**Lisenssinantaja**" tarkoittaa tekijänoikeuden omistajaa tai tekijänoikeuden haltijan valtuuttamaa tahoa, joka myöntää lisenssin. "**Oikeushenkilö**" tarkoittaa yhteenliittymää, johon kuuluvat kyseinen taho ja kaikki muut tahot, jotka hallinnoivat tehoa, ovat sen hallinnassa tai kuuluvat sen kanssa samaan hallintoon. Tässä määritelmässä "**hallinnoinnilla**" tarkoitetaan (i) suoraa tai epäsuoraa määräysvaltaa yhteisön johtoon ja johtamiseen (sopimukseen tai muuhun seikkaan perustuen) tai (ii) vähintään 50 %:n omistusosuutta saatavilla olevista osakkeista tai (iii) yhteisön tosiasiallista omistajuutta. "**Sinä**" tarkoittaa luonnollista henkilöä tai oikeushenkilöä, joka käyttää tämän lisenssin mukaisia oikeuksia. "**Lähdemuoto**" tarkoittaa suositeltavaa muotoa muutosten tekemiseen esimerkiksi ohjelmiston lähdekoodiin, dokumentaatiolähteeseen ja määrittystiedostoihin. "**Kohdemuoto**" tarkoittaa kaikkia muotoja, jotka saadaan Lähdemuodon mekaanisen muuntamisen tai kääntämisen tuloksena, mukaan lukien koostettu kohdekoodi, luotu dokumentaatio ja muuntaminen muihin mediatyyppeihin. "**Teos**" tarkoittaa Lähde- tai Kohdemuodossa olevaa alkuperäisteosta, joka saatetaan saataville Lisenssin perusteella teokseen sisällytetyin tai liitetyn tekijänoikeusilmoituksen mukaisesti (esimerkki alla olevassa liitteessä). "**Johdannaisteokset**" tarkoittavat kaikkia Lähde- tai Kohdemuodossa olevia teoksia, jotka perustuvat (tai jotka on johdettu) Teoksesta ja joihin tehdyt toimitukselliset muutokset, huomautukset, kehitystoimet tai muut muokkaukset muodostavat kokonaisuudessaan alkuperäisteoksen. Lisenssiä sovellettaessa Johdannaisteokset eivät sisällä teoksia, jotka ovat erotettavissa teoksesta tai jotka yhdistyvät (tai liittyvät vain nimen perusteella) Teoksen ja sen Johdannaisteosten rajapintoihin. "**Panos**" tarkoittaa mitä tahansa teosta, mukaan lukien Teoksen alkuperäinen versio ja Teoksen tai sen Johdannaisteosten muokkaukset tai laajennukset, joita tekijänoikeuden haltija, yksilö tai oikeushenkilö, jolla on valtuus lähettää muokaus tai laajennus, lähettää tarkoituksella Lisenssinhaltijalle sisällytettäväksi Teokseen. Tässä määritelmässä "**lähettäminen**" tarkoittaa mitä tahansa sähköistä, sanallista tai kirjallista viestintää, joka lähetetään Lisenssinhaltijalle tai sen edustajille, mukaan lukien viestintä sähköisellä postituslistalla, lähdekoodien hallintajärjestelmässä ja ongelmien seurantajärjestelmissä, joita Lisenssinhaltija hallinnoi tai joita hallinnoidaan lisenssinantajan puolesta, tarkoituksena keskustella Teoksesta ja parantaa sitä, lukuun ottamatta viestintää, jonka tekijänoikeuksien omistaja on selvästi merkinnyt tai muutoin osoittanut kirjallisesti olevan "**Muu kuin Panos**". "**Toimittaja**" tarkoittaa Lisenssinhaltijaa tai mitä tahansa yksilöä tai oikeushenkilöä, jonka puolesta Lisenssinhaltija on vastaanottanut Panoksen ja sisällyttänyt sen Teokseen.

2. Tekijänoikeuden myöntäminen.

Kukin Toimittaja myöntää Sinulle lisenssin käyttöehtojen mukaisesti pysyvän, maailmanlaajuisen, ei-yksinomaisten, ilmaisen, rojaltivapaan ja peruuttamattoman tekijänoikeuslisenssin monistaa, laatia johdannaisteoksia, esittää ja suorittaa julkisesti, alilisenoida ja jaella Teosta ja asiaankuuluvia Johdannaisteoksia Lähde- tai Kohdemuodossa.

3. Patenttilisenssin myöntäminen.

Kukin Toimittaja myöntää Sinulle tämän lisenssin käyttöehtojen mukaisesti pysyvän, maailmanlaajuisen, ei-yksinomaisten, ilmaisen, rojaltivapaan, peruuttamattoman (pois lukien tämän kappaleen ehdot) patenttilisenssin Teoksen valmistamiseen, valmistuttamiseen, käyttöön, myyntiin tarjoamiseen, myyntiin, tuontiin ja Teoksen siirtoon muulla tavoin tilanteissa, joissa lisenssiä sovelletaan vain sellaisiin patenttivaatimuksiin, jotka ovat kyseisen Toimittajan lisensoitavissa ja jotka välttämättä loukkaavat patenttia pelkillä Teokseen liittyvillä Panoksillaan tai Panosten yhdistelmällä, jotka toimitettiin Teosta varten. Jos panet vireille patenttiriidan mitä tahansa tahoa vastaan (mukaan lukien liitännäiskanne tai vastakanne oikeudenkäynnissä) väittäen, että Teos tai Teokseen sisällytetty Panos on suora tai myötävaikuttava patenttirikkomus, kaikki Sinulle Lisenssin perusteella myönnetty patenttilisenssit päättyvät päivänä, jona kyseinen riita-asia tulee vireille.

4. Uudelleenjakelu.

Voit monistaa ja jaella Teoksen tai Johdannaisteosten kopioita missä tahansa muodossa muokattuina tai muokkaamattomina ja Lähde- tai Kohdemuodoissa, jos seuraavat ehdot täyttyvät:

- Sinun on annettava Teoksen tai Johdannaisteosten vastaanottajille kopio tästä Lisenssistä; ja
- Sinun on lisättävä kaikkiin mukautettuihin tiedostoihin selkeä ilmoitus, että olet muuttanut tiedostoja; ja Sinun on säilytettävä kaikissa Lähdemuodossa jakelemissasi Johdannaisteoksissa kaikki tekijänoikeus-, patenti-, tuotemerkki- ja jakelusekä attribuutioilmoitukset Teoksen Lähdemuodosta pois lukien ilmoitukset, jotka eivät liity mihinkään Johdannaisteosten osiin; ja
- Jos Teoksen jakelu sisältää tekstitiedoston **"ILMOITUS"**, kaikissa jakelemissasi Johdannaisteoksissa on oltava luettavissa oleva kopio ILMOITUS-tiedostossa olevista attribuutioilmoituksista, jotka eivät liity mihinkään Johdannaisteosten osiin. Kopio on oltava vähintään yhdessä seuraavista sijainneista: Johdannaisteoksen osana jaeltavassa ILMOITUS-tiedostossa, Lähdemuodossa tai dokumentaatioissa (jos sellainen toimitetaan Johdannaisteosten kanssa) tai Johdannaisteosten luomassa näytössä sijainnissa, jossa kolmannen osapuolen ilmoitukset yleensä näytetään (jos ilmoituksia on). ILMOITUS-tiedoston sisältö annetaan vain tiedoksi. Se ei muokkaa Lisenssiä. Voit lisätä omia

attribuutioilmoituksia jakelemissi Johdannaisteoksiin Teoksen ILMOITUS-tekstin ohien tai sen liitteeksi, jos lisäattribuutioilmoituksia ei voida tulkita Lisenssin muutoksiksi. Voit lisätä oman tekijänoikeuslausekkeen muokkauksiisi ja ilmoittaa lisenssiin liittyvistä lisäehdoista tai muista käyttöehdoista, jotka koskevat muokkauksesi käyttöä, monistamista tai jakelua tai Johdannaisteoksia kokonaisuudessaan, edellyttäen että käytät, monistat ja jakelet Teosta muutoin tässä Lisenssissä esitettyjen ehtojen mukaisesti.

5. Panosten lähettäminen.

Ellei nimenomaisesti toisin ilmoiteta, kaikki Sinulle tai Lisenssinhaltijalle tarkoituksella toimitetut Teokseen sisällytettäväksi tarkoitetut Panokset ovat näiden käyttöehtojen alaisia ilman lisäehtoja. Edellä mainitusta huolimatta mikään tässä asiakirjassa mainittu seikka ei korvaa tai muokkaa minkään sellaisen erillisen lisenssisopimuksen ehtoja, jonka olet mahdollisesti solminut Lisenssinhaltijan kanssa kyseessä olevista Panoksista.

6. Tavaramerkki.

Lisenssi ei anna lupaa käyttää Lisenssinantajan tuotenimiä, tavaramerkkejä, palvelumerkkeitä tai tuotenimiä, paitsi jos se on välttämätöntä ja tavanomaista Teoksen alkuperän kuvaamiseksi ja ILMOITUS-tiedoston sisällön monistamiseksi.

7. Takuun vastuuvapauslauseke.

Ellei sovellettavassa lainsäädännössä toisin säädetä tai ellei kirjallisesti ole toisin sovittu, Lisenssinantaja antaa Teoksen (ja kaikki Toimittajat antavat Panoksensa) "SELLAISENAAN" ILMAN TAKUITA TAI EHTOJA (nimenomaisia tai oletettuja), mukaan lukien takuut ja ehdot, jotka koskevat OMISTUSOIKEUTTA, OIKEUKSIEN LOUKKAAMATTOMUUTTA, MYYNTIKELPOISUUTTA tai SOVELTUVUUTTA TIETTYYN TARKOITUKSEEN. Vastaaat yksin sen määrittämisestä, onko Teoksen käyttö tai uudelleenjakelu tarkoituksenmukaista, ja vastaaat kaikista Lisenssin mukaisten oikeuksien käyttämiseen liittyvistä riskeistä. 8. Vastuunrajoitus. Missään tapauksessa ja minkään juridisen teorian mukaan johtuen rikkomuksesta (mukaan lukien laiminlyönti), sopimuksesta tai muusta seikasta, pois lukien lainsäädännön vaatimat tilanteet (kuten tahalliset ja törkeän huolimattomat toimet) tai kirjallisesti sovitut tilanteet, yksikään Toimittaja ei ole vastuussa Sinulle koituneista vahingoista, mukaan lukien kaikki suorat, epäsuorat, erityiset, esimerkilliset tai väilliset vahingot, jotka johtuvat Lisenssistä tai Teoksen käytöstä tai kykenemättömyydestä käyttäjä sitä (mukaan lukien mutta rajoittumatta vahingot, jotka liittyvät liikearvon menetykseen, töiden keskeytymiseen, tietokoneen vioittumiseen tai vikaan tai muihin kaupallisiin vahinkoihin tai tappioihin), vaikka Toimittajalle olisi kerrottu kyseisten vahinkojen mahdollisuudesta.

9. Takuun tai lisävastuun hyväksyminen.

Teoksen tai Johdannaisteoksen uudelleenjakelun yhteydessä voit halutessasi tarjota ja periä palkkion tuen, takuun, korvausvastuun tai muiden velvoitteiden ja/tai oikeuksien hyväksymisestä Lisenssin mukaisesti. Velvoitteiden hyväksymiseen liittyen voit kuitenkin toimia vain omaan lukuusi ja omalla vastuullasi

(et minkään muun Toimittajan lukuun) ja vain jos suostut vapauttamaan vastuusta kunkin Toimittajan, puolustamaan ja pitämään kutakin Toimittajaa syyttömänä sellaisten vaatimusten osalta, jotka Toimittaja on aiheuttanut tai josta Toimittajaa syytetään, koska hyväksyit kyseessä olevat takuut tai lisävastuut.
KÄYTTÖEHTOJEN LOPPU

Sommaire

Introduction.....	190	Transport, entreposage et mise au rebut.....	204
Sécurité.....	192	Caractéristiques techniques.....	205
Montage.....	199	Accessoires.....	206
Utilisation.....	200	Déclaration de conformité.....	207
Entretien.....	202	Licences.....	208
Dépannage.....	203	Annexe	507

Introduction

Description du produit

Le Husqvarna Aspire T28-P4A est un coupe-herbe sur batterie équipé d'un moteur électrique.

Nous travaillons en permanence à l'amélioration de votre sécurité et de votre efficacité pendant l'utilisation. Pour davantage d'informations, contactez votre atelier d'entretien.

Utilisation prévue

Ce produit est utilisé avec une tête de désherbage pour couper l'herbe. N'utilisez pas ce produit pour d'autres tâches que le désherbage et débroussaillage.

Aperçu du produit

(Fig. 1)

1. Tête de désherbage
2. Protection de l'accessoire de coupe
3. Étrier de protection des plantes
4. Réglage de l'arbre (téléscopique)
5. Arbre
6. Poignée en anneau
7. Couvercle d'entretien
8. Bouton de réglage de la poignée en anneau
9. Interface utilisateur
10. Témoin d'avertissement
11. Indicateur de l'état de charge
12. Bouton marche/arrêt
13. Gâchette de puissance
14. Blocage de la gâchette de puissance
15. Batterie (P4A 18-B45)
16. Bouton de libération de la batterie
17. Batterie (P4A 18-B72)
18. Chargeur de batterie (P4A 18-C70)

Remarque: La législation nationale peut imposer des limites à l'utilisation du produit.

Guide rapide

Scannez le code QR pour obtenir des conseils sur l'utilisation du produit.

(Fig. 20)

19. Connecteur
20. Témoin de mise sous tension et avertisseur
21. Outil multi-usage
22. Crochet mural
23. Vis et fixations murales pour crochet mural
24. Manuel d'utilisation

Symboles concernant le produit

(Fig. 2) **AVERTISSEMENT :** ce produit peut être dangereux et causer des blessures graves, voire mortelles, au conducteur ou à d'autres personnes. Soyez prudent et utilisez le produit correctement.

(Fig. 3) Lisez attentivement le manuel d'utilisation et assurez-vous de bien comprendre les instructions avant utilisation.

(Fig. 4) Utilisez des protections pour les yeux.

- (Fig. 5) Ne les exposez pas à la pluie.
- (Fig. 6) Étiquette relative aux émissions sonores dans l'environnement conforme aux directives et réglementations européennes et du Royaume-Uni et à la législation de la Nouvelle-Galles du Sud « Protection of the Environment Operations (Noise Control) Regulation 2017 ». Le niveau de puissance sonore garanti du produit est spécifié à la section *Caractéristiques techniques à la page 205*.
- (Fig. 7) Débranchez la batterie avant l'entretien.
- (Fig. 8) Le produit ou son emballage ne font pas partie des ordures ménagères. Déposez-le dans une station de recyclage pour équipements électriques et électroniques.
- (Fig. 9) Prenez garde aux projections d'objets.
- (Fig. 10) N'utilisez pas de lames métalliques.
- (Fig. 11) Le produit est conforme aux directives européennes en vigueur.
- (Fig. 12) Ce produit est conforme aux réglementations en vigueur au Royaume-Uni.
- (Fig. 13) Courant continu.

(Fig. 17) La distance entre la machine et les personnes à proximité doit être d'au moins 15 m (50 pi).

yyyywwxxxx

La plaque signalétique ou l'impression au laser indiquent le numéro de série. **yyyy** désigne l'année de production et **ww** la semaine de production.

Symboles concernant le produit

- (Fig. 2) **AVERTISSEMENT** : ce produit peut être dangereux et causer des blessures graves, voire mortelles, au conducteur ou à d'autres personnes. Soyez prudent et utilisez le produit correctement.
- (Fig. 3) Lisez attentivement le manuel d'utilisation et assurez-vous de bien comprendre les instructions avant utilisation.
- (Fig. 4) Utilisez des protections pour les yeux.

- (Fig. 5) Ne les exposez pas à la pluie.
- (Fig. 6) Étiquette relative aux émissions sonores dans l'environnement conforme aux directives et réglementations de l'UE et du Royaume-Uni (y compris la législation de la Nouvelle-Galles du Sud). Les données relatives aux émissions sonores figurent sur l'étiquette de la machine et dans le chapitre Caractéristiques techniques.
- (Fig. 7) Débranchez la batterie avant l'entretien.
- (Fig. 8) Le produit ou son emballage ne font pas partie des ordures ménagères. Déposez-le dans une station de recyclage pour équipements électriques et électroniques.
- (Fig. 9) Prenez garde aux projections d'objets.
- (Fig. 10) N'utilisez pas de lames métalliques.
- (Fig. 11) Le produit est conforme aux directives européennes en vigueur.
- (Fig. 13) Courant continu.

(Fig. 17) La distance entre la machine et les personnes à proximité doit être d'au moins 15 m (50 pi).

yyyywwxxxx

La plaque signalétique ou l'impression au laser indiquent le numéro de série. **yyyy** désigne l'année de production et **ww** la semaine de production.

Symboles sur la batterie et/ou son chargeur

- (Fig. 18) Déposez ce produit dans une station de recyclage pour équipements électriques et électroniques. (Concerne seulement l'Europe)
- (Fig. 19) Utilisez la batterie uniquement dans les produits des partenaires du système POWER FOR ALL.
- (Fig. 14) Transformateur à sécurité intégrée.

(Fig. 15) Utilisez et stockez le chargeur de batterie en intérieur uniquement.

(Fig. 16) Double isolation.

- le produit est équipé d'un accessoire qui ne provient pas du fabricant ou qui n'est pas homologué par le fabricant ;
- le produit n'est pas réparé par un centre d'entretien agréé ou par une autorité homologuée.

Endommagement du produit

Nous ne sommes pas responsables des dommages subis par le produit si :

- le produit n'est pas correctement réparé ;
- le produit est réparé avec des pièces qui ne proviennent pas du fabricant ou qui ne sont pas homologuées par le fabricant ;

Fabricant

Husqvarna AB
SE-561 82, Huskvarna, Sweden

Sécurité

Définitions de sécurité

Des avertissements, des recommandations et des remarques sont utilisés pour souligner des parties spécialement importantes du manuel.



AVERTISSEMENT: Symbole utilisé en cas de risque de blessures ou de mort pour l'opérateur ou les personnes à proximité si les instructions du manuel ne sont pas respectées.



REMARQUE: Symbole utilisé en cas de risque de dommages pour le produit, d'autres matériaux ou les environs si les instructions du manuel ne sont pas respectées.

Remarque: Symbole utilisé pour donner des informations supplémentaires pour une situation donnée.

Consignes générales de sécurité relatives à l'outil à moteur



AVERTISSEMENT: Lire toutes les consignes et instructions de sécurité. Le non-respect des consignes et mises en garde peut être à l'origine d'un choc électrique, d'un incendie et/ou de blessures graves.

Remarque: Conservez toutes ces consignes et instructions pour toute consultation ultérieure. Le terme « outil électrique » utilisé dans les avertissements fait référence à l'outil branché sur secteur (fil) ou à l'outil alimenté par batterie (sans fil).

Contrôles avant la mise en marche

- Retirez toujours la batterie afin d'éviter tout démarrage accidentel du produit. Retirez toujours la batterie avant toute opération d'entretien sur le produit.
- En cas d'impact, vérifiez que le produit ne présente ni signe d'usure ni dommage et procédez aux réparations éventuellement nécessaires avant de l'utiliser à nouveau.
- Inspecter la zone de travail. Retirez tous les objets tels que les pierres, les morceaux de verre, les clous, les fils de fer, les bouts de ficelle, etc. pouvant être projetés ou risquant de s'enrouler autour de la lame ou de sa protection.
- Vérifiez que le moteur ne présente ni fissures ni poussière. Retirez l'herbe et les feuilles coincées dans le moteur à l'aide d'une brosse. Au besoin, utilisez des gants.
- Vérifiez que la tête de désherbage est parfaitement attachée au coupe-bordures.
- Vérifiez que le produit est en parfait état d'utilisation. Contrôler que tous les écrous et boulons sont correctement serrés.
- Contrôlez la tête de désherbage et le carter de protection afin de détecter d'éventuels dommages ou fissures. Remplacez la tête de désherbage ou le carter de protection si l'un ou l'autre a subi des dommages ou présente des fissures. Utilisez toujours la protection recommandée prévue pour l'équipement de coupe utilisé. Voir le chapitre Caractéristiques techniques.
- L'opérateur du produit doit s'assurer qu'aucune personne ou aucun animal ne s'approche à moins de 15 mètres pendant le travail. Lorsque plusieurs opérateurs travaillent dans une même zone, il convient d'observer une distance de sécurité d'au moins 15 mètres.
- Effectuez une inspection générale du produit avant de l'utiliser. Consultez le programme d'entretien.
- La législation nationale ou locale peut réglementer l'utilisation. Respectez la législation en vigueur.

Sécurité dans l'espace de travail

- **Maintenez un espace de travail propre et bien éclairé.** Les espaces encombrés ou sombres exposent à des accidents.
- **N'utilisez pas de machines à usiner dans des atmosphères explosives, en présence de liquides, de gaz ou de poussières inflammables par exemple.** Les machines à usiner provoquent des étincelles qui peuvent enflammer la poussière ou les vapeurs.
- **Tenez les enfants et les spectateurs à distance lorsque la machine à usiner est en marche.** Un moment d'inattention peut vous faire perdre le contrôle.

Sécurité électrique

- **Les fiches des machines à usiner doivent être adaptées à la prise. N'apportez jamais de modifications à la fiche. Ne pas utiliser de fiches d'adaptation avec des machines mises à la terre.** Des fiches non modifiées et des prises compatibles réduisent le risque de choc électrique.
- **Évitez tout contact physique avec les surfaces mises à la terre telles que les tuyaux, les radiateurs, les cuisinières et les réfrigérateurs.** Le risque d'électrocution est plus important si le corps est relié à la terre.
- **Ne pas exposer les outils électriques à la pluie ou à l'humidité.** L'infiltration d'eau dans une machine à usiner augmente le risque d'électrocution.
- **Ne malmenez pas le cordon. N'utilisez jamais le cordon pour porter, tirer ou débrancher la machine. Maintenez le cordon d'alimentation à l'écart de la chaleur, de bords tranchants ou de pièces en mouvement.** Les fils endommagés ou emmêlés augmentent le risque de choc électrique.
- **Lorsque vous utilisez un outil électrique à l'extérieur, utilisez une rallonge électrique adaptée à l'usage extérieur.** L'utilisation d'un cordon d'alimentation pour usage extérieur réduit le risque d'électrocution.
- **Si vous n'avez d'autre choix que d'utiliser un outil électrique dans un endroit humide, utilisez une alimentation protégée par un dispositif de courant résiduel (RCD).** L'utilisation d'un RCD réduit le risque de choc électrique.

Sécurité du personnel

- **Restez attentif, regardez ce que vous faites et ayez recours à votre bon sens lorsque vous utilisez un outil électrique. N'utilisez pas d'outil électrique si vous êtes fatigué ou si vous êtes sous l'emprise de drogues, d'alcool ou de médicaments.** Un moment d'inattention pendant l'utilisation des machines à usiner peut entraîner des blessures corporelles graves.
- **Utilisez un équipement de protection personnelle. Travaillez toujours avec des lunettes de protection.** Les équipements de protection tels que le masque anti-poussière, les chaussures de sécurité antidérapantes, le casque ou le protège-oreilles

utilisés dans des conditions appropriées réduisent les blessures corporelles.

- **Évitez tout démarrage intempestif. Vérifiez que l'interrupteur est en position d'arrêt avant de brancher l'outil sur l'alimentation et/ou la batterie, de le ramasser ou de le transporter.** Le fait de garder le doigt sur l'interrupteur pendant le transport des outils ou le branchement des machines alors que l'interrupteur est en position ON expose à des accidents.
- **Retirez toute clé ou clavette de calage avant de mettre la machine à usiner sous tension.** Une clé ou une clavette reliée à une pièce mobile de la machine à usiner peut entraîner des blessures corporelles.
- **Ne vous éloignez pas trop. Restez toujours en équilibre et sur vos appuis.** Cela favorise le contrôle de la machine à usiner dans les situations inattendues.
- **Habillez-vous correctement. Ne portez jamais de vêtements amples ou de bijoux. Éloignez vos cheveux et vos vêtements des pièces mobiles.** Les vêtements amples, les bijoux et les cheveux longs peuvent rester coincés dans les pièces mobiles.
- **Si des dispositifs sont fournis pour raccorder des systèmes de collecte et d'extraction de la poussière, vérifiez qu'ils sont correctement branchés et utilisés.** L'utilisation de systèmes de collecte de poussière peut réduire les risques associés à la poussière.
- **La connaissance des outils, acquise par l'usage fréquent de ces derniers, ne doit pas vous dispenser d'être prudent et d'appliquer les principes de sécurité.** Une action inconsidérée peut provoquer de graves blessures en une fraction de seconde.
- Les émissions de vibrations durant l'utilisation de l'appareil peuvent différer de la valeur totale déclarée en fonction de la manière dont l'outil est utilisé. En vue de se protéger, les opérateurs devraient établir des mesures de sécurité basées sur une estimation de leur exposition dans les conditions d'utilisation réelles (en tenant compte de toutes les phases du cycle opératoire, comme, par exemple, lorsque l'outil est éteint et lorsqu'il fonctionne en mode ralenti ou au gaz).

Utilisation et entretien de la machine à usiner

- **Ne forcez pas sur la machine à usiner. Utilisez la machine à usiner qui convient à l'application.** La machine qui convient réalisera mieux son travail et de façon plus sûre, à la vitesse pour laquelle elle a été conçue.
- **N'utilisez pas la machine à usiner si l'interrupteur ne permet pas la mise sous tension ou l'arrêt.** Toute machine à usiner impossible à commander avec l'interrupteur est dangereuse et doit être réparée.
- **Débranchez la fiche de l'alimentation et/ou retirez la batterie, si celle-ci est amovible, avant de procéder aux réglages, de changer les accessoires ou de stocker un outil électrique.** Ces mesures de sécurité préventive réduisent le risque de mise sous tension accidentelle de la machine à usiner.

- **Rangez les machines à usiner hors de la portée des enfants et ne pas laisser des personnes qui ne connaissent pas la machine ou ces consignes utiliser l'appareil.** Les machines à usiner sont dangereuses si elles sont entre les mains d'utilisateurs non formés.
- **Entretenez les accessoires et outils électriques. Vérifier le mauvais alignement ou la fixation des pièces mobiles, l'éventuelle rupture des pièces ou toute autre condition susceptible d'altérer le fonctionnement de la machine. Si elle est endommagée, la machine à usiner doit être réparée avant toute réutilisation.** De nombreux accidents sont dus à des machines mal entretenues.
- **Maintenez les outils tranchants aiguisés et propres.** Des outils tranchants correctement entretenus avec des bords aiguisés sont moins susceptibles de se coincer et sont plus faciles à contrôler.
- **Utiliser la machine à usiner, les accessoires, les grains, etc. en suivant ces consignes et en tenant compte des conditions de travail et de la tâche à réaliser.** Il est dangereux d'utiliser l'outil électrique pour tout autre usage que celui prévu.
- **Les poignées et les surfaces de maintien doivent toujours être propres, sèches et sans traces d'huile ni de graisse.** Les poignées et les surfaces de maintien glissantes ne permettent pas une manipulation et un contrôle sûrs de l'outil dans des situations inattendues.

Utilisation et entretien d'un outil à batterie

- **Ne rechargez la machine qu'avec le chargeur indiqué par le fabricant.** Un chargeur convenant à un type de bloc de batteries particulier peut entraîner un risque d'incendie s'il est utilisé avec un autre bloc.
- **Utilisez les produits uniquement avec les batteries spécifiquement préconisées.** L'utilisation d'une autre batterie peut entraîner un risque de blessure et d'incendie.
- **Lorsque la batterie n'est pas utilisée, maintenez-la à distance d'objets métalliques, tels que des trombones, pièces de monnaie, clés, clous, vis, ou autres petits objets en métal risquant de relier une borne à l'autre.** Court-circuiter les bornes de batterie entraîne un risque de brûlures et d'incendie.
- **En cas d'utilisation abusive, du liquide peut s'échapper de la batterie ; évitez tout contact. En cas de contact accidentel, rincez à l'eau. En cas de contact avec les yeux, consultez un médecin.** Le liquide échappé de la batterie peut causer irritations et brûlures.
- **N'utilisez pas un bloc batterie ou un outil endommagé ou modifié.** Les batteries endommagées ou modifiées peuvent présenter un comportement imprévisible pouvant provoquer un incendie, une explosion ou un risque de blessure.
- **N'exposez pas un bloc batterie ou un outil au feu ou à des températures trop élevées.** L'exposition au feu ou à des températures supérieures à 130 °C / 265 °F peut provoquer une explosion.

- **Respectez toutes les instructions de charge et ne chargez pas le bloc batterie ou l'outil en dehors de la plage de température spécifiée dans les instructions.** Ne pas charger la batterie correctement ou la charger à des températures comprises en dehors de la plage spécifiée peut endommager la batterie et augmenter le risque d'incendie.

Entretien

- **Confiez l'entretien de votre outil électrique à un mécanicien qualifié qui utilisera uniquement des pièces de rechange identiques.** Cela permet de garantir la sécurité de la machine.
- **Ne jamais entretenir des batteries endommagées.** L'entretien des batteries doit être effectué uniquement par le fabricant ou des fournisseurs de services agréés.

Utilisez toujours votre bon sens

Il est impossible de prévoir toutes les situations que vous pouvez rencontrer. Soyez toujours prudent et utilisez votre bon sens. Évitez les situations que vous n'êtes pas sûr de maîtriser. Si, après avoir lu ces instructions, vous n'êtes toujours pas sûr de la procédure à suivre, demandez conseil à un expert avant de poursuivre.



AVERTISSEMENT: Ne laissez jamais des enfants utiliser la machine ou s'en approcher. Dans la mesure où la machine est facile à démarrer, il est possible que des enfants arrivent à la mettre en route lorsque vous les quittez des yeux. Ceci peut entraîner un risque de graves blessures corporelles. Retirez donc la batterie lorsque vous n'êtes pas en mesure de surveiller la machine de près.

Instructions générales de sécurité



AVERTISSEMENT: lisez les instructions qui suivent avant d'utiliser le produit.

- Retirez la batterie afin d'éviter tout démarrage accidentel du produit.
- Ce produit est un outil dangereux si vous ne faites pas attention ou si vous l'utilisez de manière incorrecte. Ce produit peut causer des blessures graves, voire mortelles, au conducteur ou à d'autres personnes.
- N'utilisez pas le produit si ses caractéristiques initiales ont été changées. Ne remplacez pas une pièce du produit sans l'approbation du fabricant. Utilisez uniquement les pièces qui sont approuvées par le fabricant. Un entretien inapproprié peut causer des blessures graves, voire mortelles.
- Effectuez un contrôle du produit avant toute utilisation. Voir, *Contrôles avant la mise en marche*

à la page 192 et Avant d'utiliser le produit à la page 200. N'utilisez pas un produit endommagé ou qui ne fonctionne pas correctement. Appliquez les instructions d'entretien ainsi que les contrôles de sécurité indiqués dans ce manuel.

- Il convient de surveiller les enfants et de les empêcher de jouer avec le produit. Ne laissez jamais des enfants ou d'autres personnes ne possédant pas la formation requise utiliser ou entretenir le produit et/ou sa batterie. L'âge minimum de l'utilisateur peut être régi par les législations locales.
- Conservez le produit dans un endroit verrouillé afin que des enfants ou personnes qui ne sont pas autorisées à l'utiliser ne puissent pas y avoir accès.
- Rangez le produit hors de portée des enfants.
- Ne modifiez jamais le produit sans l'autorisation du fabricant. Utilisez uniquement des accessoires d'origine. Des modifications non autorisées et/ou l'emploi d'accessoires non homologués peuvent provoquer des accidents graves, voire mortels, à l'utilisateur et d'autres personnes.

Remarque: Les législations nationales ou locales peuvent réglementer l'utilisation de l'appareil. Respectez la législation en vigueur.

Instructions de sécurité pour le fonctionnement



AVERTISSEMENT: Lisez les instructions qui suivent avant d'utiliser le produit.

- **N'utilisez pas la machine par mauvais temps, en particulier lorsqu'il y a un risque de foudre.** Cela permet de réduire le risque d'être frappé par la foudre.
- **Vérifiez soigneusement la zone où la machine doit être utilisée, afin de repérer la faune éventuelle.** En effet, elle peut être blessée par la machine pendant son fonctionnement.
- **Inspectez attentivement la zone de travail avant d'utiliser la machine. Retirez les éventuels bouts de bois, pierres, fils, os et autres corps étrangers.** Les objets projetés peuvent entraîner des blessures.
- **Avant d'utiliser la machine, effectuez toujours une inspection visuelle pour vérifier que la lame et l'ensemble de coupe ne sont pas endommagés.** L'utilisation de pièces endommagées augmente le risque de blessure.
- **Maintenez les protections en place. Les protections doivent être en bon état de marche et correctement montées.** Une protection desserrée, endommagée ou ne fonctionnant pas correctement peut entraîner des blessures.
- **Veillez à ce qu'aucun débris ne se loge dans les arrivées d'air de refroidissement.** L'obstruction des arrivées d'air et la présence de débris peuvent entraîner une surchauffe ou un risque d'incendie.
- **Portez toujours des protections pour les yeux et un casque anti-bruit.** Le recours à un équipement de protection adéquat permet de réduire les risques de blessures.
- **Lors de l'utilisation de la machine, portez toujours des chaussures de protection et antidérapantes. N'utilisez pas la machine si vous êtes pieds nus ou si vous portez des sandales.** Cela réduit le risque de blessure aux pieds en cas de contact avec la lame en mouvement.
- **Portez toujours des vêtements couvrant les jambes lorsque vous utilisez la machine, comme un pantalon.** Tout contact avec la lame ou le fil de coupe en mouvement peut provoquer des blessures.
- **Maintenez les personnes présentes à l'écart pendant l'utilisation de la machine.** Les projections de débris peuvent causer de graves blessures.
- **N'utilisez pas la machine au-dessus de la taille.** Cela permet de réduire les contacts accidentels avec le dispositif de coupe et de mieux contrôler la machine en cas de situations inattendues.
- **Soyez prudent lorsque vous utilisez la machine sur de l'herbe humide. Marchez, ne courez jamais.** Vous risquez de glisser et de tomber, ce qui peut entraîner des blessures.
- **Évitez d'utiliser la machine sur des pentes trop raides.** Vous limitez ainsi le risque de perte de contrôle, de glissement et de chute, sources de blessures éventuelles.
- **Lorsque vous travaillez sur une pente, veillez toujours à garder l'équilibre, en tondant l'herbe latéralement et non verticalement. Soyez prudent lorsque vous changez de direction.** Vous limitez ainsi le risque de perte de contrôle, de glissement et de chute, sources de blessures éventuelles.
- **Maintenez tous les câbles et cordons d'alimentation à distance de la zone de coupe.** Les câbles et cordons d'alimentation peuvent être masqués par des haies ou des buissons et être coupés ou endommagés accidentellement par la lame ou le fil.
- **Maintenez toutes les parties de votre corps à distance de la lame ou du fil de coupe du coupe-bordures. Ne retirez pas de matériel de la machine tant qu'elle n'a pas été débranchée de la source d'alimentation.** Les mouvements de la lame ou du fil du coupe-bordures peuvent entraîner des blessures graves.
- **Éteignez la machine si vous voulez la transporter, et éloignez-la de votre corps.** Une manipulation correcte de la machine réduit le risque de contact accidentel avec la lame ou le fil de coupe en mouvement du coupe-bordures.
- **Utilisez uniquement une tête de coupe et un fil ou une lame de coupe de rechange spécifiés par le fabricant. Ne remplacez pas les lames ou les fils de coupe du coupe-bordures par des câbles ou lames métalliques.** Des pièces de rechange incorrectes peuvent entraîner une perte de contrôle, une rupture et des blessures.

Équipement de protection individuel



AVERTISSEMENT: Lisez les instructions qui suivent avant d'utiliser le produit.

- Portez toujours un équipement de protection individuel homologué lorsque vous utilisez le produit. L'équipement de protection individuel ne protège pas complètement des blessures, mais il diminue la gravité des blessures en cas d'accident. Faites appel à votre revendeur pour vous aider à sélectionner l'équipement adéquat.
- Utilisez des protège-oreilles homologués.

(Fig. 21)

- Utilisez des protections pour les yeux homologuées. L'usage d'une visière doit toujours s'accompagner du port de lunettes de protection homologuées. Les lunettes de protection doivent être conformes aux normes ANSI Z87.1 (États-Unis) ou EN 166 (pays de l'UE).

(Fig. 22)

- Portez des gants de protection en cas de besoin, par exemple lorsque vous fixez, examinez ou nettoyez l'équipement de coupe.

(Fig. 23)

- Portez des bottes de protection avec coques de protection en acier et des semelles antidérapantes.

(Fig. 24)

- Portez des vêtements fabriqués dans un matériau résistant. Portez toujours des pantalons longs, épais et des manches longues. Ne portez pas de vêtements amples qui risqueraient de se prendre dans les brindilles et les branches. Ne portez pas de bijoux, de pantalon court ou de sandales. Ne travaillez pas pieds nus. Attachez vos cheveux de façon sécurisée au-dessus de vos épaules.
- Conservez l'équipement de premiers secours à proximité.

(Fig. 25)

Dispositifs de sécurité sur le produit



AVERTISSEMENT: lisez les instructions qui suivent avant d'utiliser le produit.

Cette section présente les fonctions de sécurité, les instructions d'utilisation, de contrôle et d'entretien du produit afin de garantir son bon fonctionnement. Reportez-vous aux instructions ci-dessous *Introduction à la page 190* pour trouver l'emplacement de ces pièces sur votre produit.

La durée de vie du produit risque d'être écourtée et le risque d'accidents accru si l'entretien du produit n'est pas effectué correctement et si les mesures d'entretien et/ou de réparation ne sont pas effectuées de manière

professionnelle. Pour plus d'informations, contactez l'atelier de réparation du revendeur le plus proche.



AVERTISSEMENT: N'utilisez jamais un produit dont les équipements de sécurité sont endommagés. Contrôlez et entretenez les équipements de sécurité du produit conformément aux instructions données dans ce chapitre. Si les contrôles du produit ne donnent pas de résultat positif, contactez votre atelier spécialisé pour le faire réparer.



REMARQUE: L'entretien et la réparation de la machine exigent une formation spéciale. Ceci concerne particulièrement l'équipement de sécurité de la machine. Si les contrôles suivants ne donnent pas un résultat positif, adressez-vous à un atelier spécialisé. L'achat de l'un de nos produits offre à l'acheteur la garantie d'un service et de réparations qualifiés. Si le point de vente n'assure pas ce service, adressez-vous à l'atelier spécialisé le plus proche.

Contrôle de l'interface utilisateur

Les LED vertes (A) indiquent l'état de la batterie lorsque le produit est sous tension, mais qu'il n'est pas en fonctionnement.

1. Pressez et maintenez enfoncé le bouton marche/arrêt (B). (Fig. 26)
 - a) Le produit est sous tension lorsque les LED vertes (A) sont allumées.
 - b) Le produit est hors tension lorsque les LED vertes (A) sont éteintes.
2. Reportez-vous à la section *Dépannage à la page 203* si le témoin d'avertissement (C) est allumé ou clignote.

Contrôle du blocage de la gâchette de puissance

Le blocage de la gâchette de puissance empêche tout démarrage accidentel. Lorsque vous appuyez sur le blocage (A), il libère la gâchette de puissance (B). Lorsque vous relâchez la poignée, la gâchette de puissance et son blocage reviennent à leurs positions initiales. (Fig. 27)

1. Vérifiez que la gâchette de puissance est verrouillée lorsque son blocage est en position initiale.

(Fig. 28)

- Appuyez sur la gâchette de puissance et assurez-vous qu'elle retourne à sa position initiale lorsque vous la relâchez.

(Fig. 29)

- Assurez-vous que la gâchette de puissance et son blocage se déplacent librement et que le ressort de rappel fonctionne correctement.

(Fig. 30)

- Faites démarrer le produit. Reportez-vous à la section *Pour démarrer le produit à la page 201*.
- Relâchez la gâchette de puissance et assurez-vous que l'accessoire de coupe s'arrête complètement.

Pour contrôler la protection de l'équipement de coupe



AVERTISSEMENT: N'utilisez pas un équipement de coupe sans une protection d'équipement de coupe correctement fixée et homologuée. Utilisez toujours la protection d'accessoire de coupe recommandée pour l'accessoire de coupe que vous utilisez, reportez-vous à la section *Caractéristiques techniques à la page 205*. L'installation d'une protection d'accessoire de coupe incorrecte ou défectueuse peut provoquer des blessures graves.

La protection de l'accessoire de coupe permet d'arrêter les objets projetés en direction de l'utilisateur. Elle permet également d'éviter de se blesser si vous touchez l'équipement de coupe.

- Arrêtez le moteur.
- Réalisez un contrôle visuel pour détecter les dommages, par exemple des fissures.
- Remplacez la protection de l'accessoire de coupe si celle-ci est endommagée.

Équipement de coupe

Sélectionnez un équipement de coupe adéquat et effectuez un entretien régulier de cet équipement pour :

- obtenir la meilleure performance de coupe possible ;
- augmenter la durée de vie de l'équipement de coupe.



AVERTISSEMENT: N'utilisez les accessoires de coupe qu'avec la protection recommandée ! Voir *Caractéristiques techniques à la page 205*. Reportez-vous aux instructions relatives à l'accessoire de coupe pour poser correctement le fil de coupe et choisir le diamètre de fil de coupe approprié.



AVERTISSEMENT: Un accessoire de coupe défectueux peut augmenter les risques d'accident.

Tête de désherbage



AVERTISSEMENT: Veillez à ce que le fil de coupe soit toujours enroulé de manière serrée et régulière autour du tambour pour éviter des vibrations dangereuses.

(Fig. 31)

- Utilisez uniquement les têtes de désherbage et les fils de coupe recommandés.
- Utilisez uniquement les équipements de coupe recommandés.
- Les petites machines requièrent de petites têtes de désherbage, et inversement.
- La longueur du fil de coupe est importante. Un fil de coupe long demande un moteur plus puissant qu'un fil court, même en cas de diamètre égal de fil.
- Assurez-vous que le couteau monté sur le carter de protection est intact. Il découpe le fil de coupe à la bonne longueur.
- Faites tremper le fil de coupe dans l'eau pendant quelques jours avant utilisation afin d'augmenter sa durée de vie.

Consignes de sécurité relatives à l'utilisation de la batterie



AVERTISSEMENT: Lisez toutes les instructions générales et de sécurité. Le non-respect des instructions générales et de sécurité peut être à l'origine d'un choc électrique, d'un incendie et/ou de blessures graves. **Conservez toutes les consignes de sécurité et les instructions générales pour vous y référer ultérieurement.**

- Ces consignes de sécurité s'appliquent uniquement aux batteries rechargeables Li-ion 18 V du système POWER FOR ALL.**
- Utilisez la batterie rechargeable uniquement dans les produits des partenaires du système POWER FOR ALL.** Les batteries rechargeables 18 V portant l'étiquette POWER FOR ALL sont entièrement compatibles avec les produits suivants :
 - Tous les produits du système de batterie POWER FOR ALL 18 V.
 - Tous les produits 18 V des partenaires du système POWER FOR ALL.
- Respectez les recommandations relatives à la batterie dans le manuel d'utilisation de votre produit.** Seule cette méthode permet d'utiliser la batterie

rechargeable et le produit sans danger et de protéger les batteries rechargeables contre les surcharges dangereuses.

- **Chargez les batteries uniquement à l'aide des chargeurs recommandés par le fabricant ou par les partenaires du système POWER FOR ALL.** Un chargeur compatible avec un type de batterie peut présenter un risque d'incendie s'il est utilisé avec une autre batterie.
- **La batterie est fournie partiellement chargée.** Pour garantir une capacité optimale de la batterie, chargez-la complètement dans le chargeur avant d'utiliser votre outil électrique la première fois.
- **Conservez les batteries hors de portée des enfants.**
- **N'ouvrez pas la batterie.** Il existe un risque de court-circuit.
- **Tout dommage ou utilisation incorrecte de la batterie peut provoquer des émanations de vapeurs. La batterie peut s'enflammer ou exploser.** Assurez-vous que la zone est bien ventilée et consultez un médecin en cas d'effets indésirables. Ces vapeurs peuvent irriter le système respiratoire.
- **En cas d'utilisation inadéquate ou si la batterie est endommagée, du liquide inflammable peut être éjecté de la batterie. Évitez tout contact avec ce liquide. En cas de contact accidentel, rincez à l'eau. Si le liquide entre en contact avec les yeux, consultez un médecin.** Le liquide éjecté de la batterie peut provoquer des irritations ou brûlures.
- **Si la batterie est endommagée, du liquide peut être éjecté et recouvrir les surfaces environnantes. Vérifiez les pièces concernées.** Nettoyez ces pièces ou remplacez-les si nécessaire.
- **Ne court-circuitez pas la batterie.** Lorsque la batterie n'est pas utilisée, maintenez-la à distance d'objets métalliques, tels que des trombones, pièces de monnaie, clés, clous, vis, ou autres petits objets en métal risquant de relier une borne à l'autre. Court-circuiter les bornes de batterie entraîne un risque de brûlures et d'incendie.
- **La batterie peut être endommagée par des objets pointus tels que des clous ou des tournevis, ou par une force appliquée depuis l'extérieur.** Un court-circuit interne peut se produire, entraînant la combustion, l'émission de fumée, l'explosion ou la surchauffe de la batterie.
- **N'entretenez jamais des batteries endommagées.** L'entretien des batteries doit être effectué uniquement par le fabricant ou des fournisseurs de services agréés.
- **Protégez la batterie de la chaleur, par exemple contre la lumière intense du soleil, le feu, la saleté, l'eau et l'humidité.** Il existe un risque d'explosion et de court-circuit.
- **N'utilisez la batterie du produit que si la température ambiante est comprise entre -5 °C — 40 °C.**
- **Stockez la batterie uniquement à une température ambiante comprise entre -20 °C — 50 °C.** Ne laissez pas la batterie dans votre voiture en été, par exemple. À des températures inférieures à

0 °C, certains appareils peuvent subir une perte de puissance.

- **Chargez la batterie uniquement à une température ambiante comprise entre 0 °C — 35 °C.** Une charge en dehors de cette plage de température peut augmenter le risque d'endommagement de la batterie et présenter un risque d'incendie.

Consignes de sécurité relatives au chargeur de batterie



AVERTISSEMENT: Lisez toutes les instructions générales et de sécurité.

Le non-respect des instructions générales et de sécurité peut être à l'origine d'un choc électrique, d'un incendie et/ou de blessures graves. **Conservez ces instructions en lieu sûr.** Utilisez le chargeur uniquement si vous pouvez évaluer toutes les fonctions et les exécuter sans restrictions, ou si vous avez reçu les instructions correspondantes.

- **Surveillez les enfants pendant l'utilisation, le nettoyage et l'entretien,** et ce afin de s'assurer qu'ils ne jouent pas avec le chargeur.
- **Chargez uniquement les batteries lithium-ion du système 18 V POWER FOR ALL d'une capacité de 1,5 Ah ou plus (5 cellules de batterie ou plus). La tension de la batterie doit correspondre à la tension de charge de la batterie du chargeur. Ne chargez pas les batteries non rechargeables.** Dans le cas contraire, il existe un risque d'incendie et d'explosion.
- **Protégez le chargeur de la pluie et de l'humidité.** L'infiltration d'eau dans un outil électrique augmente le risque d'électrocution.
- **Maintenez le chargeur propre.** La saleté présente un risque de choc électrique.
- **Vérifiez systématiquement le chargeur, le câble et la fiche avant utilisation. Cessez d'utiliser le chargeur si vous constatez des dommages. N'ouvrez pas le chargeur vous-même et faites-le réparer uniquement par un spécialiste qualifié en utilisant exclusivement des pièces de rechange d'origine.** Les chargeurs, câbles et fiches endommagés augmentent le risque de choc électrique.
- **N'utilisez pas le chargeur sur une surface facilement inflammable (par exemple du papier, des textiles, etc.) ou dans un environnement inflammable.** Il existe un risque d'incendie en raison du réchauffement du chargeur pendant le fonctionnement.
- **Ne rechargez la machine qu'avec le chargeur indiqué par le fabricant.** Un chargeur convenant à un type de bloc de batteries particulier peut entraîner un risque d'incendie s'il est utilisé avec un autre bloc.
- **Tout dommage ou utilisation incorrecte de la batterie peut également provoquer des émanations de vapeurs.** Assurez-vous que la zone est bien ventilée

et consultez un médecin en cas d'effets indésirables. Ces vapeurs peuvent irriter le système respiratoire.

- **En cas d'utilisation abusive, du liquide peut s'échapper de la batterie. Évitez tout contact avec ce liquide. En cas de contact accidentel, rincez à l'eau. Si le liquide entre en contact avec les yeux, consultez un médecin.** Le liquide éjecté de la batterie peut provoquer des irritations ou brûlures.
- **Ne couvrez pas les fentes d'aération du chargeur.** Dans le cas contraire, le chargeur risque de surchauffer et de ne plus fonctionner correctement.
- **Si le cordon d'alimentation électrique doit être remplacé, cette intervention doit être effectuée par Husqvarna ou par un centre de service client autorisé à réparer les outils électriques Husqvarna afin d'éviter tout risque pour la sécurité.**
- **Produits vendus en Grande-Bretagne uniquement :** votre produit est équipé d'une fiche électrique homologuée BS 1363/A avec fusible interne (homologué ASTA conformément à BS 1362). Si la fiche n'est pas adaptée à vos prises, elle doit être coupée et une fiche appropriée doit être installée à sa place par un agent du service client agréé. La fiche de rechange doit avoir la même capacité de fusible que la fiche d'origine. La fiche coupée doit être mise au rebut pour éviter tout risque d'électrocution et ne doit jamais être insérée dans une autre prise de courant murale.



AVERTISSEMENT: Arrêt cardiaque ! Cet appareil génère un champ électromagnétique pendant son fonctionnement. Ce champ peut, dans certaines circonstances, perturber le fonctionnement d'implants médicaux actifs ou passifs. Pour réduire le risque de blessures graves ou mortelles, les personnes portant des implants médicaux

doivent consulter leur médecin et le fabricant de leur implant avant d'utiliser cet appareil.



AVERTISSEMENT: Risque d'étouffement ! Les pièces de petites dimensions peuvent être avalées. Les enfants risquent également de s'étouffer avec le sachet en polyéthylène. Éloignez-les lors du montage du produit.

Consignes de sécurité pour l'entretien



AVERTISSEMENT: Lisez les instructions qui suivent avant d'effectuer l'entretien du produit.

- Retirez la batterie avant tout entretien, contrôle ou assemblage du produit.
- L'utilisateur ne doit effectuer que les travaux de maintenance et d'entretien décrits dans ce manuel d'utilisation. Adressez-vous à votre revendeur pour toute opération de maintenance et d'entretien de plus grande ampleur.
- Ne nettoyez pas la batterie ou le chargeur de batterie avec de l'eau. L'utilisation de détergents agressifs peut endommager le plastique.
- Un défaut d'entretien réduit le cycle de vie du produit et augmente le risque d'accidents.
- Une formation spéciale est nécessaire pour tous les travaux d'entretien et de réparation, en particulier pour les dispositifs de sécurité sur le produit. Si tous les contrôles spécifiés dans ce manuel d'utilisation ne sont pas validés après l'entretien, consultez votre revendeur. Nous garantissons la disponibilité d'un service de réparation et d'entretien professionnel pour votre produit.
- Utilisez uniquement les pièces de rechange d'origine.

Montage

Introduction



AVERTISSEMENT: Assurez-vous de lire et de comprendre le chapitre dédié à la sécurité avant de monter l'appareil.

Fixation du carter de protection

1. Placez le carter de protection contre le carter du moteur. (Fig. 32)
2. Faites glisser les 2 boulons dans le carter du moteur et le carter de protection. (Fig. 33)
3. Serrez les boulons.

Montage de la tête de désherbage

1. Faites tourner l'axe sortant jusqu'à ce que le trou du toc d'entraînement coïncide avec le trou correspondant du carter.
2. Placez l'outil multi-usage dans le trou afin de bloquer l'arbre.
3. Tournez la tête de désherbage dans le sens des aiguilles d'une montre. (Fig. 34)

Installation de l'étrier de protection des plantes

1. Installez l'étrier de protection des plantes dans les trous figurant sur le carter du moteur. (Fig. 35)

- 2. Assurez-vous que l'étrier de protection des plantes peut se déplacer librement vers l'avant et vers l'arrière. (Fig. 36)

Installation du crochet sur le mur

- Installez le crochet à l'intérieur.
- Conservez le crochet à l'abri de la lumière du soleil et à une température ambiante comprise entre -10 °C et 70 °C.
- Installez le crochet sur une cloison sèche, ou bien sur un mur en bois ou en béton.



REMARQUE: Assurez-vous que le mur peut supporter des charges d'au moins 30 kg.

- Installez le crochet sur le mur à l'aide des 3 vis (A). Utilisez des fixations murales (B) si nécessaire. (Fig. 37)



REMARQUE: Assurez-vous que les vis sont compatibles avec votre type de mur.

- Contactez votre atelier spécialisé Husqvarna pour en savoir plus sur les accessoires de stockage disponibles pour votre produit.

Utilisation

Introduction



AVERTISSEMENT: Assurez-vous de lire et de comprendre le chapitre dédié à la sécurité avant d'utiliser l'appareil.

Avant d'utiliser le produit

- Examinez la zone de travail pour vous assurer que vous connaissez la nature du terrain. Examinez l'inclinaison du sol et vérifiez s'il y a des obstacles tels que des pierres, des branches et des fossés.
- Effectuez une inspection générale du produit.
- Effectuez les inspections de sécurité, de maintenance et d'entretien indiquées dans ce manuel.
- Vérifiez que le moteur est propre et exempt de fissures. Utilisez une brosse pour nettoyer le moteur de l'herbe et des feuilles. Utilisez des gants si nécessaire.
- Examinez la tête de désherbage et la protection de l'équipement de coupe pour vérifier l'absence de dommages ou fissures. Remplacez la tête de désherbage et la protection de l'équipement de coupe si elles ont été touchées ou si elles présentent des fissures.
- Assurez-vous que tous les écrous et les vis sont serrés.
- Assurez-vous que tous les capots, toutes les protections, les poignées et l'équipement de coupe sont correctement fixés et qu'ils ne sont pas endommagés avant de démarrer le produit.

Batterie



AVERTISSEMENT: Avant d'utiliser la batterie, vous devez lire et comprendre le chapitre sur la sécurité. Vous devez également lire et comprendre le manuel

d'utilisation de la batterie et du chargeur de batterie.

Maintenez la batterie et le chargeur de batterie à des températures ambiantes correctes.

	Température ambiante
Fonctionnement de la batterie dans le produit	-5 °C — 40 °C
Charge de la batterie	0 °C — 35 °C

Pour charger la batterie

Chargez la batterie avant la première utilisation.

Remarque: La batterie ne charge pas si la température de la batterie est supérieure à +35 °C.

1. Branchez le cordon d'alimentation du chargeur de batterie dans une prise secteur mise à la masse.



REMARQUE: Assurez-vous que la tension et la fréquence du secteur sont correctes.

2. Placez la batterie dans le chargeur de batterie. La batterie est connectée au chargeur de batterie lorsque la LED verte clignote. (Fig. 38)
3. La batterie est complètement chargée lorsque la LED verte du chargeur de batterie est allumée. Chargez la batterie pendant 24 heures au maximum.
4. Débranchez le chargeur de batterie du secteur.



REMARQUE: Ne tirez pas le cordon d'alimentation.

- Dégagez la batterie du chargeur de batterie.

LED d'état de la batterie sur le chargeur de batterie

La LED rouge (A) et la LED verte (B) du chargeur de batterie indiquent l'état de la batterie. Reportez-vous à la section *LED d'état de la batterie sur le produit à la page 201*.

(Fig. 39)

LED	État de la batterie
La LED verte clignote rapidement.	La batterie se charge.
La LED verte clignote lentement.	La batterie est chargée à 80 %.
La LED verte est allumée.	La batterie est complètement chargée.
La LED rouge est allumée.	Reportez-vous à la section <i>LED d'état de la batterie sur le produit à la page 201</i> .
La LED rouge clignote rapidement.	Reportez-vous à la section <i>LED d'état de la batterie sur le produit à la page 201</i> .

LED d'état de la batterie sur le produit

Lorsque la batterie est installée dans le produit, les LED du produit indiquent l'état de la batterie.

(Fig. 40)

LED	État de la batterie
Les LED 1, 2 et 3 sont allumées.	Complètement chargée.
Les LED 1 et 2 sont allumées.	Suffisamment chargée
La LED 1 est allumée.	La puissance de la batterie est faible.
La LED 1 clignote.	La batterie est vide. L'alerte batterie faible clignote. Rechargez la batterie. Reportez-vous à la section <i>Pour charger la batterie à la page 200</i> .

Connexion de la batterie au produit



AVERTISSEMENT: Utilisez la batterie uniquement avec les produits du système 18 V POWER FOR ALL.

- Assurez-vous que la batterie est complètement chargée.
- Faites glisser la batterie dans le support de batterie du produit. La batterie doit pouvoir glisser facilement dans le support ; si ce n'est pas le cas, elle n'est pas installée correctement.

(Fig. 41)

- La batterie est verrouillée en position lorsqu'un « clic » est émis.

Pour démarrer le produit

- Appuyez sur le bouton marche/arrêt et maintenez-le enfoncé jusqu'à ce que la LED verte s'allume. (Fig. 42)
- Appuyez sur le blocage de la gâchette de puissance et la gâchette de puissance. L'équipement de coupe se met à tourner.

Réglage de la poignée en anneau et de l'arbre télescopique

- Appuyez sur le bouton de réglage de la poignée en anneau.

(Fig. 43)

- Réglez la poignée en anneau à un angle correct.
- Relâchez le bouton de réglage de la poignée en anneau.
- Desserrez le levier sur l'arbre. (Fig. 44)
- Réglez la longueur nécessaire sur l'arbre.
- Fermez le levier et serrez la vis.

Remarque: Les deux positions de la poignée en anneau sur l'illustration suivante sont uniquement destinées au transport et/ou au remisage.

(Fig. 45)

Fonction d'arrêt automatique

Le produit est équipé d'une fonction d'arrêt automatique qui arrête le produit s'il n'est pas utilisé. Le produit s'arrête après 3 minutes.

Pour utiliser le produit

Tonte de l'herbe

- Maintenez la tête de désherbage juste au-dessus du sol et inclinez-la. Ne poussez pas le fil de coupe dans l'herbe. (Fig. 46)
- Réduisez la longueur du fil de coupe de 8-10 cm (3,15-4 po).

Pour nettoyer la zone de l'herbe

- Maintenez la tête de désherbage au-dessus du sol.

- Inclinez la tête de désherbage.
- Coupez avec l'extrémité du fil de coupe autour des objets dans la zone de travail.



REMARQUE: coupez l'herbe. Les autres objets heurtés par le fil de coupe accélèrent l'usure du fil de coupe.

Coupe de l'herbe

- Assurez-vous que le fil de coupe est parallèle au sol lorsque vous coupez l'herbe. (Fig. 47)
- N'appuyez pas la tête de désherbage sur le sol. En cas de non-respect de cette consigne, vous risquez d'endommager le produit.
- Déplacez le produit de gauche à droite pour couper l'herbe. (Fig. 48)

Balayage de l'herbe

Le débit d'air du fil de coupe en rotation peut être utilisé pour éliminer l'herbe coupée d'une zone.

- Maintenez la tête de désherbage et le fil de coupe parallèles au sol et en hauteur.

- Déplacez la tête de désherbage de gauche à droite et balayez l'herbe.



AVERTISSEMENT: Nettoyez le capot de la tête de désherbage chaque fois que vous montez un fil de coupe neuf pour éviter tout déséquilibre et des vibrations dans les poignées. Vérifiez également les autres pièces de la tête de désherbage et nettoyez au besoin.

Pour arrêter le produit

- Relâchez la gâchette de puissance et son blocage.
- Appuyez sur le bouton marche/arrêt jusqu'à ce que la LED verte s'éteigne.
- Appuyez sur le bouton de déverrouillage de la batterie et retirez la batterie du produit. (Fig. 49)

Pour remplacer le fil de coupe

Reportez-vous à la dernière page de ce manuel de l'opérateur.

Entretien

Introduction



AVERTISSEMENT: assurez-vous de lire et de comprendre le chapitre sur la sécurité avant de procéder à l'entretien du produit.

Calendrier de maintenance



AVERTISSEMENT: Retirez la batterie avant d'effectuer l'entretien.

La liste ci-dessous indique les étapes d'entretien à effectuer sur le produit. Consultez la section *Entretien à la page 202* pour plus d'informations.

Entretien	Au quoti- dien	Toutes les sem- aines	Une fois par mois
Nettoyez les pièces externes du produit avec un chiffon sec. N'utilisez pas d'eau.	X		
Vérifiez que le bouton marche/arrêt fonctionne correctement et n'est pas endommagé.	X		
Vérifiez que la gâchette de puissance et son blocage fonctionnent en toute sécurité.	X		
Assurez-vous que toutes les commandes fonctionnent et ne sont pas endommagées.	X		
Nettoyez les poignées pour qu'elles restent toujours propres, sèches et exemptes d'huile et de graisse.	X		
Assurez-vous que l'accessoire de coupe n'est pas endommagé. Remplacez l'accessoire de coupe si celui-ci est endommagé.	X		
Assurez-vous que la protection de l'accessoire de coupe n'est pas endommagée. Remplacez la protection de l'accessoire de coupe si celle-ci est endommagée.	X		

Entretien	Au quoti- dien	Toutes les sem- aines	Une fois par mois
Assurez-vous que les vis et les écrous sont serrés.	X		
Assurez-vous que les boutons de déverrouillage de la batterie fonctionnent et verrouillent la batterie au produit.	X		
Vérifiez que le chargeur de batterie n'est pas endommagé et fonctionne cor- rectement.	X		
Assurez-vous que la batterie n'est pas endommagée.	X		
Assurez-vous que la batterie est chargée.	X		
Assurez-vous que le chargeur de batterie n'est pas endommagé.	X		
Vérifiez tous les câbles, tous les raccords et toutes les connexions. Assurez- vous qu'ils ne sont pas endommagés et qu'ils sont propres.		X	
Contrôlez les connexions entre la batterie et le produit. Contrôlez la connexion entre la batterie et le chargeur de batterie.			X

Pour examiner la batterie et le chargeur de batterie

1. Examinez la batterie pour détecter tout dommage, par exemple des fissures.
2. Examinez le chargeur de batterie pour détecter tout dommage, par exemple des fissures.
3. Assurez-vous que le cordon de raccordement du chargeur de batterie n'est pas endommagé et qu'il n'est pas fissuré.

Pour nettoyer le produit, la batterie et le chargeur de batterie

1. Nettoyez le produit avec un chiffon sec après utilisation.
2. Nettoyez la batterie et le chargeur de batterie avec un chiffon sec. Veillez à maintenir les rails guides de la batterie en parfait état de propreté.
3. Assurez-vous que les bornes de la batterie et du chargeur de batterie sont propres avant d'insérer la batterie dans le chargeur ou le produit.

Examen et remplacement de la tête de désherbage

1. Vérifiez que la tête de désherbage ne présente pas de dommages ni de fissures.
2. Faites tourner l'axe sortant jusqu'à ce que le trou du toc d'entraînement coïncide avec le trou correspondant du carter.
3. Placez l'outil multi-usage dans le trou afin de bloquer l'arbre.
4. Tournez la tête de désherbage dans le sens contraire des aiguilles d'une montre.

(Fig. 50)

5. Remplacez la tête de désherbage.
6. Montez la tête de désherbage. Reportez-vous à la section *Montage de la tête de désherbage à la page 199*.

Dépannage

Interface utilisateur

Problème	Défaillances possibles	Solution possible
La LED de démar- rage verte clignote.	Tension de batterie faible.	Rechargez la batterie.

Problème	Défaillances possibles	Solution possible
La LED d'erreur rouge clignote.	Surcharge.	L'accessoire de coupe ne peut pas se déplacer librement. Relâchez l'accessoire de coupe.
	Écart de température.	Laissez le produit refroidir.
	Appuyez simultanément sur la gâchette de puissance et sur le bouton de démarrage.	Relâchez la gâchette de puissance et appuyez sur le bouton de démarrage.
La LED verte et la LED rouge clignent en alternance.	La batterie est vide.	Rechargez la batterie.
	La batterie est endommagée.	Contactez votre revendeur.

Chargeur de batterie

LED sur le chargeur de batterie	Cause	Solution
La LED verte est allumée et la LED rouge clignote.	La batterie n'est pas correctement installée dans le chargeur de batterie.	Retirez la batterie du chargeur et réinstallez-la dans le chargeur de batterie.
	Les connecteurs de batterie sont sales.	Nettoyez les connecteurs de la batterie.
	La température ambiante est trop élevée ou trop basse.	Utilisez le chargeur de batterie à une température comprise entre 0 °C et +35 °C.
	La batterie est défectueuse.	Remplacez la batterie.
La LED verte et la LED rouge sont éteintes.	Le chargeur de batterie n'est pas correctement branché sur la prise secteur.	Branchez le chargeur de batterie à une prise secteur.
	Prise secteur défectueuse.	Branchez le chargeur de batterie sur une prise électrique dont les caractéristiques de tension et de fréquence correspondent aux spécifications mentionnées sur la plaque signalétique.
	Le câble du chargeur de batterie est défectueux.	Adressez-vous à un atelier de réparation agréé.
	Le chargeur de batterie est défectueux.	
Autres erreurs.	Si d'autres erreurs se produisent, assurez-vous que le produit est éteint, retirez la batterie et adressez-vous à un agent d'entretien agréé.	

Transport, entreposage et mise au rebut

Transport et stockage

- Les batteries Li-Ion fournies respectent les exigences de la législation sur les marchandises dangereuses.
- Vous devez respecter l'exigence spécifique relative à l'emballage et aux étiquettes pour le transport commercial, y compris par des tiers et des transitaires.

- Consultez un expert en matières dangereuses avant d'expédier le produit. Respectez les lois nationales en vigueur.
- Mettez du ruban adhésif sur les contacts lorsque vous placez la batterie dans un emballage. Placez la batterie dans l'emballage de façon hermétique pour empêcher tout mouvement.
- Retirez la batterie lors du stockage ou du transport.
- Placez la batterie et le chargeur de batterie dans un endroit sec, à l'abri de l'humidité et du gel.
- Ne conservez pas la batterie dans un endroit présentant un risque d'électricité statique. Ne conservez pas la batterie dans une boîte métallique.
- Remisez la batterie dans un endroit où la température est comprise entre -20 °C (-4 °F) et +50 °C (122 °F) et à l'abri de la lumière du soleil.
- Conservez le chargeur de batterie dans un endroit où la température est comprise entre 5 °C (41 °F) et 45 °C (113 °F) et à l'abri de la lumière du soleil.
- Remisez le produit dans un endroit où la température est comprise entre -40 °C/-40 °F et +60 °C/140 °F.
- N'utilisez le chargeur de batterie que si la température ambiante est comprise entre 0 °C (32 °F) et 35 °C (95 °F).
- Chargez la batterie entre 30 % et 50 % avant de la remiser pendant des périodes prolongées.
- Conservez le chargeur de batterie dans un local fermé et sec.
- Conservez la batterie à l'écart du chargeur lors du rangement. Ne laissez pas des enfants ou d'autres

personnes non autorisées toucher l'équipement. Conservez l'équipement dans un local verrouillable.

- Nettoyez le produit et effectuez un entretien complet avant de remiser le produit pendant des périodes prolongées.
- Utilisez la protection de transport du produit pour éviter les blessures et les dégâts causés au produit lors du transport et du remisage.
- Fixez le produit pour le transporter.
- Conservez le produit en position de rangement horizontale ou accrochez-le au crochet fourni. Reportez-vous à la section *Installation du crochet sur le mur à la page 200*.

(Fig. 51)

Mise au rebut de la batterie, du chargeur de batterie et du produit

Le symbole ci-dessous indique que le produit ne fait pas partie des ordures ménagères. Déposez-le dans une station de recyclage pour équipements électriques et électroniques. Ceci permet d'éviter les dangers pour l'environnement et les personnes.

Consultez les autorités locales, le service des ordures ménagères ou votre revendeur pour plus d'informations.

(Fig. 18)

Remarque: Le symbole apparaît sur le produit ou l'emballage du produit.

Caractéristiques techniques

Caractéristiques techniques

		Aspire T28-P4A
Moteur		
Type de moteur		PMDC
Régime de l'arbre de sortie, tr/min		6 800
Largeur de coupe, mm		280
Poids		
Poids sans batterie, kg		2,6
Poids avec batterie (P4A 18-B45 / P4A 18-B70), kg		3,0 / 3,3
Émissions sonores ²⁸		
Niveau de puissance acoustique mesuré, dB (A)		85
Niveau de puissance acoustique garanti L _{WA} , dB (A)		88

²⁸ Émissions sonores dans l'environnement mesurées comme puissance acoustique (L_{WA}) selon la directive européenne CE 2000/14/CE. Le niveau de puissance sonore garanti diffère du niveau mesuré en cela qu'il prend également en compte la dispersion et les variations d'un produit à l'autre du même modèle, conformément à la directive 2000/14/CE.

	Aspire T28-P4A
Niveaux sonores ²⁹	
Niveau de pression sonore équivalent à l'oreille de l'utilisateur, mesuré selon EN ISO 50636-2-91, dB (A)	73
Niveaux de vibrations ³⁰	
Niveaux de vibration au niveau des poignées mesurés selon la norme EN50636-2-91, m/s ²	2,26/1,61
Avec tête de désherbage (d'origine), avant / arrière.	

Batterie	P4A 18-B45	P4A 18-B72
Type	Lithium-ion	Lithium-ion
Capacité de la batterie, Ah	Reportez-vous à l'autocollant de capacité de la batterie	Reportez-vous à l'autocollant de capacité de la batterie
Tension nominale, V	18	18
Poids, kg	0,4	0,7

Chargeur de batterie	P4A 18-C70
Tension secteur, V	220-240
Fréquence, Hz	50-60
Puissance, W	70
Tension de sortie, V d.c./ Ampères, A	14,4-18 / 3

Accessoires

Accessoires homologués

Accessoires homologués	Type	Protection pour équipement de coupe, réf.
Tête de désherbage	A15B M5 (fil de 1,6 mm de diamètre)	536 47 32-01

²⁹ Les données reportées pour le niveau de pression sonore équivalent du produit montrent une dispersion statistique typique (déviat ion standard) de 3 dB (A).

³⁰ Les données reportées pour le niveau de vibrations montrent une dispersion statistique typique (déviat ion standard) de 1,5 m/s².

Déclaration de conformité

Déclaration de conformité EU

Nous, **Husqvarna AB**, SE-561 82 Huskvarna, Suède,
tél : +46-36-146500, déclarons sous notre entière
responsabilité que le produit :

Description	Coupe-bordures à batterie
Marque	Husqvarna
Type/Modèle	Aspire T28-P4A
Identification	Les numéros de série à partir de 2023 et ultérieurs

est entièrement conforme à la réglementation et aux
directives de l'UE suivantes :

Directive / réglemen- tation	Description
2006/42/EC	« relative aux machines »
2014/30/UE	« relative à la compatibilité électromagnétique »
2000/14/EC	« relative aux émissions sonores dans l'environnement »
2011/65/UE	« relative à la limitation de l'utilisation de certaines substances dangereuses au sein d'équipements électriques et électroniques »

et que les normes et/ou les spécifications techniques
suivantes sont appliquées : EN 60335-1:2012/A15:2021,
EN 50636-2-91:2014, EN IEC 63000:2018, EN IEC
55014-1:2021; EN IEC 55014-2:2021.

L'organisme notifié : 0158 DEKRA Testing and
Certification GmbH, Handwerkstraße 15, 70565
Stuttgart, Germany a certifié être conforme à la Directive
du Conseil 2000/14/CE, procédure d'évaluation de la
conformité : Annexe VI.

Pour toute information relative aux émissions sonores,
voir *Caractéristiques techniques à la page 205*.

Huskvarna, 2023-12-14



Claes Losdal, Responsable R&D, Husqvarna AB
Responsable de la documentation technique



Licences

Copyright © 2012-2020 STMicroelectronics

La garantie ne couvre pas les défauts résultant de l'usure normale, de la négligence, d'une utilisation inappropriée, de la réparation non autorisée ou du branchement de l'appareil d'aspiration à une tension électrique inadaptée.

Tous droits réservés.

La redistribution et l'utilisation sous format source et binaire, avec ou sans modification, sont autorisées à condition que les conditions suivantes soient remplies :

- Les redistributions du code source doivent conserver l'avis de droit d'auteur ci-dessus, la présente liste de conditions et la clause de non-responsabilité suivante.
- Les redistributions sous format binaire doivent reproduire l'avis de droit d'auteur ci-dessus, la présente liste de conditions et la clause de non-responsabilité suivante dans la documentation et/ou les autres documents fournis avec la distribution.
- Ni le nom de STMicroelectronics, ni les noms de ses contributeurs ne peuvent être utilisés pour soutenir ou promouvoir des produits dérivés de ce logiciel sans autorisation écrite préalable spécifique.

CE LOGICIEL EST FOURNI « EN L'ÉTAT » PAR LES DÉTENTEURS DU DROIT D'AUTEUR ET LES CONTRIBUTEURS ET TOUTE GARANTIE EXPRESSE OU IMPLICITE, Y COMPRIS, MAIS SANS S'Y LIMITER, LES GARANTIES IMPLICITES DE QUALITÉ MARCHANDE ET D'ADÉQUATION À UN USAGE PARTICULIER, EST EXCLUE. EN AUCUN CAS LE DÉTENTEUR DU DROIT D'AUTEUR OU LES CONTRIBUTEURS NE POURRONT ÊTRE TENUS RESPONSABLES DE TOUT DOMMAGE DIRECT, INDIRECT, ACCESSOIRE, SPÉCIAL, EXEMPLAIRE OU CONSÉCUTIF (Y COMPRIS, MAIS SANS S'Y LIMITER, L'ACHAT DE BIENS OU SERVICES DE SUBSTITUTION ; LA PERTE D'UTILISATION, DE DONNÉES OU DE BÉNÉFICES ; OU L'INTERRUPTION D'ACTIVITÉ), QUELLE QU'EN SOIT LA CAUSE ET SELON TOUTE THÉORIE DE RESPONSABILITÉ, QUE CE SOIT DANS LE CADRE D'UN CONTRAT, D'UNE RESPONSABILITÉ STRICTE OU D'UN DÉLIT (Y COMPRIS UNE NÉGLIGENCE OU AUTRE) DÉCOULANT DE QUELQUE MANIÈRE QUE CE SOIT DE L'UTILISATION DE CE LOGICIEL, MÊME SI LA POSSIBILITÉ D'UN TEL DOMMAGE A ÉTÉ PORTÉE À LA CONNAISSANCE DU CLIENT.

Licence Apache 2.0

Copyright © 2009-2019 Arm Limited. Tous droits réservés.

Version 2.0, Janvier 2004 <http://www.apache.org/licenses/>

CONDITIONS GÉNÉRALES D'UTILISATION, DE REPRODUCTION ET DE DISTRIBUTION

1. Définitions.

« **Licence** » désigne les conditions générales d'utilisation, de reproduction et de distribution telles que définies par les sections 1 à 9 du présent document.

« **Concédant** » désigne le détenteur du droit d'auteur ou l'entité autorisée par ce dernier qui accorde la Licence.

« **Entité juridique** » désigne conjointement l'entité agissant et toutes les autres entités qui contrôlent, sont contrôlées par ou sont sous contrôle commun avec cette entité. Aux fins de la présente définition, « **Contrôle** » désigne (i) le pouvoir, direct ou indirect, d'orienter ou de gérer cette entité, que ce soit par contrat ou autrement, ou (ii) la détention de cinquante pour cent (50 %) ou plus des actions en circulation, ou (iii) la propriété effective de cette entité. « **Vous** » (ou « **votre** ») désigne une personne physique ou entité juridique exerçant les autorisations accordées par la présente Licence. Le format « **Source** » désigne le format privilégié pour apporter des modifications, y compris, mais sans s'y limiter, le code source du logiciel, la source de la documentation et les fichiers de configuration. Le format « **Objet** » désigne tout format résultant de la transformation mécanique ou de la traduction d'un format Source, y compris, mais sans s'y limiter, le code objet compilé, la documentation générée et les conversions vers d'autres types de support. « **Œuvre** » désigne l'œuvre de création, sous format Source ou Objet, mise à disposition dans le cadre de la Licence, comme indiqué par un avis de droit d'auteur inclus ou joint à l'œuvre (un exemple est fourni dans l'Annexe ci-dessous).

« **Œuvres dérivées** » désigne toute œuvre, sous format Source ou Objet, basée sur (ou dérivée de) l'Œuvre et pour laquelle les révisions, annotations, élaborations ou autres modifications éditoriales représentent, dans leur ensemble, une œuvre originale de création. Aux fins de la présente Licence, les Œuvres dérivées ne doivent pas inclure les œuvres qui peuvent être séparées ou rattachées (ou reliées par leur nom) aux interfaces de l'Œuvre et des Œuvres dérivées de celle-ci. « **Contribution** » désigne toute œuvre de création, y compris la version originale de l'Œuvre et toute modification ou tout ajout à cette Œuvre ou Œuvre Dérivée de celle-ci, qui est intentionnellement soumise au Concédant pour être incluse dans l'Œuvre par le détenteur du droit d'auteur ou par une personne ou une entité juridique autorisée à soumettre au nom du détenteur du droit d'auteur. Aux fins de la présente définition, « **soumis** » désigne toute forme de communication électronique, verbale ou écrite envoyée au Concédant ou à ses représentants, y compris, mais sans s'y limiter, la communication via des listes de diffusion électroniques, des systèmes de contrôle du code source et des systèmes de suivi des problèmes gérés par ou pour le compte du Concédant dans le but de discuter de et d'améliorer l'Œuvre, à l'exclusion des communications qui sont clairement marquées ou

désignées par écrit par le détenteur du droit d'auteur par la mention « **Ne constitue pas une contribution** ». « **Contributeur** » désigne le Concédant et toute personne physique ou entité juridique pour le compte de laquelle une contribution a été reçue par le Concédant et incorporée ultérieurement dans l'Œuvre.

2. Octroi de licence de droit d'auteur.

Sous réserve des termes et conditions de cette Licence, chaque Contributeur vous accorde par la présente une licence de droit d'auteur perpétuelle, mondiale, non exclusive, gratuite, libre de droits et irrévocable pour reproduire, préparer des Œuvres dérivées, afficher publiquement, exécuter publiquement, concéder en sous-licence et distribuer l'Œuvre et ses Œuvres dérivées sous format Source ou Objet.

3. Octroi de licence de brevet.

Sous réserve des termes et conditions de cette Licence, chaque Contributeur vous accorde par la présente une licence de brevet perpétuelle, mondiale, non exclusive, gratuite, libre de droits et irrévocable (sauf mention contraire dans la présente section) pour fabriquer, faire fabriquer, utiliser, proposer à la vente, vendre, importer et transférer l'Œuvre, lorsque cette licence s'applique uniquement aux demandes de brevet concédées sous licence par le Contributeur concerné qui sont nécessairement violées du fait de leur(s) Contribution(s) seule(s) ou du fait de la combinaison de leur(s) Contribution(s) avec l'Œuvre pour laquelle cette ou ces Contribution(s) ont été soumises. Si vous déposez une demande à l'encontre de toute entité pour un litige sur un brevet (y compris une réclamation croisée ou une contre-réclamation dans le cadre d'une action en justice) alléguant que l'Œuvre ou une Contribution intégrée à l'Œuvre constitue une violation de brevet directe ou contributive, toutes les licences de brevets qui vous sont accordées en vertu de la présente Licence pour cette Œuvre seront résiliées à la date à laquelle la demande pour litige est déposée.

4. Redistribution.

Vous pouvez reproduire et distribuer des copies de l'Œuvre ou des Œuvres dérivées sur tout support, avec ou sans modification, sous format Source ou Objet, à condition de satisfaire aux conditions suivantes :

- Vous devez remettre à tout autre destinataire de l'Œuvre ou des Œuvres dérivées une copie de la présente Licence ; et
- Vous devez faire en sorte que tous les fichiers modifiés comportent des mentions visibles indiquant que vous avez modifié les fichiers ; et vous devez conserver, sous format Source de toute Œuvre dérivée que vous distribuez, tous les avis de droit d'auteur, de brevet, de marque commerciale et d'attribution du format Source de l'Œuvre, à l'exception des mentions qui ne se rapportent à aucune partie des Œuvres dérivées ; et
- Si l'œuvre comprend un fichier texte « **MENTION** » dans le cadre de sa distribution, toute Œuvre

Dérivée que vous distribuez doit alors inclure une copie lisible des mentions d'attribution contenus dans ce fichier MENTION, à l'exclusion des mentions qui ne se rapportent à aucune partie des Œuvres dérivées, dans au moins l'un des emplacements suivants : dans un fichier texte MENTION distribué dans le cadre des Œuvres dérivées ; dans le format ou la documentation Source, si fourni avec les Œuvres dérivées ; ou dans un affichage généré par les Œuvres dérivées, si et où ces mentions tierces apparaissent normalement. Le contenu du fichier MENTION est fourni à titre d'information uniquement et ne modifie pas la Licence. Vous pouvez ajouter vos propres mentions d'attribution dans les Œuvres dérivées que vous distribuez, en parallèle ou en tant qu'annexe au texte MENTION de l'Œuvre, à condition que ces mentions d'attribution supplémentaires ne puissent pas être interprétées comme modifiant la Licence. Vous pouvez ajouter votre propre déclaration de droit d'auteur sur vos modifications et fournir des conditions générales de licence supplémentaires ou différentes pour l'utilisation, la reproduction ou la distribution de vos modifications, ou pour toute Œuvre dérivée dans son ensemble, à condition que votre utilisation, reproduction, et distribution de l'Œuvre soit conforme aux conditions énoncées dans la présente Licence.

5. Soumission de contributions.

Sauf indication contraire explicite de votre part, toute Contribution que vous soumettez intentionnellement pour l'Œuvre au Concédant de licence sera soumise aux conditions générales de la présente Licence, sans aucune condition supplémentaire. Nonobstant ce qui précède, rien dans le présent document ne remplace ou ne modifie les termes de tout contrat de licence distinct que vous avez signé avec le Concédant de licence concernant ces contributions.

6. Marques commerciales.

La présente Licence n'autorise pas l'utilisation des noms commerciaux, marques commerciales, marques de service ou noms de produits du Concédant, sauf lorsque cela est nécessaire pour une utilisation raisonnable et habituelle dans la description de l'origine de l'Œuvre et la reproduction du contenu du fichier MENTION.

7. Exclusion de Garantie.

Sauf si la loi en vigueur l'exige ou si le Concédant de licence l'accepte par écrit, le Concédant fournit l'Œuvre (et chaque Contributeur fournit ses contributions) « EN L'ÉTAT », SANS GARANTIE NI CONDITION D'AUCUNE SORTIE, expresse ou implicite, y compris, sans s'y limiter, toute garantie ou condition de TITRE, NON-VIOLATION, QUALITÉ MARCHANDE, ou ADÉQUATION À UN USAGE PARTICULIER. Vous êtes seul responsable de déterminer la pertinence de l'utilisation ou de la redistribution de l'Œuvre et assumez tous les risques associés à l'exercice d'autorisations

en vertu de la présente Licence. 8. Limitation de responsabilité. En aucun cas et sous aucune théorie de droit, que ce soit de manière délictuelle (y compris par négligence), contractuelle ou autre, sauf si requis par la loi en vigueur (par exemple pour des actes délibérés et grossièrement négligents) ou convenu par écrit, un Contributeur ne sera tenu responsable envers vous de dommages, y compris tout dommage direct, indirect, spécial, accidentel, ou consécutif de quelque nature que ce soit résultant de la présente Licence ou de l'utilisation ou de l'incapacité à utiliser l'Œuvre (y compris, mais sans s'y limiter, les dommages pour perte de clientèle, arrêt de travail, défaillance ou dysfonctionnement de l'ordinateur, ou tout autre dommage ou perte commercial), même si le Contributeur a été informé de la possibilité de tels dommages.

Lors de la redistribution de l'Œuvre ou des Œuvres dérivées de celle-ci, vous pouvez choisir d'offrir et de facturer tout accord quant à l'assistance, la garantie, l'indemnité ou d'autres obligations de responsabilité et/ou droits liés à la présente Licence. Toutefois, en acceptant de telles obligations, vous ne pouvez agir que pour votre propre compte et sous votre seule responsabilité, et non pour le compte d'un autre Contributeur, et uniquement si vous acceptez d'indemniser, de défendre et de dégager chaque Contributeur de toute responsabilité engagée par, ou de toute réclamation faite à l'encontre de ce Contributeur en raison de votre accord quant à une telle garantie ou responsabilité supplémentaire. FIN DES CONDITIONS GÉNÉRALES

9. Acceptation de la garantie ou de la responsabilité supplémentaire.

Sadržaj

Uvod.....	210	Prijevoz, spremanje i zbrinjavanje.....	223
Sigurnost.....	212	Tehnički podaci.....	224
Sastavljanje.....	218	Dodaci.....	225
Rad.....	219	Izjava o sukladnosti.....	226
Održavanje.....	221	Licence.....	227
Rješavanje problema.....	222	Dodatak	507

Uvod

Opis proizvoda

Husqvarna Aspire T28-P4A je baterijski trimmer za travu s elektromotorom.

Neprestano radimo na tomu da povećamo vašu sigurnost i učinkovitost tijekom rada. Za više informacija obratite se servisnom zastupniku.

Namjena

Ovaj se proizvod upotrebljava s glavom trimera za košenje trave. Proizvod upotrebljavajte isključivo za uređivanje i čišćenje trave.

Pregled proizvoda

(Sl. 1)

1. Glava trimera
2. Štitnik reznog nastavka
3. Štitnik za biljke
4. Prilagodba vratila (teleskop)
5. Vratilo
6. Okrugla ručka
7. Poklopac za održavanje
8. Gumb za podešavanje okrugle ručke
9. Korisničko sučelje

Napomena: Nacionalnim propisima mogu se utvrditi ograničenja rada ovog proizvoda.

Kratke upute

Skenirajte QR kod kako biste saznali kako upotrebljavati proizvod.

(Sl. 20)

10. Indikator upozorenja
11. Indikator napunjenosti
12. Gumb za uključivanje/isključivanje
13. Prekidač za uključivanje
14. Blokada prekidača za uključivanje
15. Baterija (P4A 18-B45)
16. Gumbi za otpuštanje baterije
17. Baterija (P4A 18-B72)
18. Punjač baterija (P4A 18-C70)
19. Priključak

- 20. Indikator uključenog napajanja i upozorenja
- 21. Višenamjenski alat
- 22. Zidna kuka
- 23. Vijci i tipke za zidnu kuku
- 24. Korisnički priručnik

Simboli na proizvodu

- (Sl. 2) UPOZORENJE: Ovaj proizvod može biti opasan i izazvati teške ozljede ili smrt rukovatelja ili drugih osoba. Budite oprezni i pravilno upotrebljavajte ovaj proizvod.
- (Sl. 3) Pažljivo pročitajte korisnički priručnik i prije upotrebe dobro usvojite sadržaj.
- (Sl. 4) Koristite zaštitu za oči.
- (Sl. 5) Nemojte izlagati kiši.
- (Sl. 6) Najlepnicu emisija buke u okoliš u skladu s direktivama i propisima EU i UK te propisom Novog Južnog Walesa Zaštita od radova u okolišu (kontrola buke) iz 2017. Zajamčena razina jačine zvuka proizvoda naznačena je u *Tehnički podaci na stranici 224*.
- (Sl. 7) Odspojite bateriju prije održavanja.
- (Sl. 8) Ni proizvod ni njegova ambalaža ne spadaju u kućanski otpad. Reciklirajte ga u reciklažnoj stanici za električnu i elektroničku opremu.
- (Sl. 9) Pazite na izbačene predmete.
- (Sl. 10) Nemojte upotrebljavati metalne noževe.
- (Sl. 11) Proizvod ispunjava mjerodavne direktive EU.
- (Sl. 12) Proizvod je usklađen s važećim direktivama u UK.
- (Sl. 13) Istosmjerna struja.

(Sl. 17) Udaljenost između stroja i pro-matrača mora biti najmanje 15 m (50').

ggggtbxxxx Serijski broj nalazi se na natpisnoj pločici ili laserskom ispisu. **yyyy** je godina proizvodnje, a **ww** je tjedan proizvodnje.

Simboli na proizvodu

- (Sl. 2) UPOZORENJE: Ovaj proizvod može biti opasan i izazvati teške ozljede ili smrt rukovatelja ili drugih osoba. Budite oprezni i pravilno upotrebljavajte ovaj proizvod.
- (Sl. 3) Pažljivo pročitajte korisnički priručnik i prije upotrebe dobro usvojite sadržaj.
- (Sl. 4) Koristite zaštitu za oči.
- (Sl. 5) Nemojte izlagati kiši.
- (Sl. 6) Najlepnicu za emisije buke u okoliš prema EU (uključujući zakonodavstvo Novog Južnog Walesa) i UK direktivama i propisima. Podaci o emisiji buke navedeni su na naljepnici i u poglavlju Tehnički podaci.
- (Sl. 7) Odspojite bateriju prije održavanja.
- (Sl. 8) Ni proizvod ni njegova ambalaža ne spadaju u kućanski otpad. Reciklirajte ga u reciklažnoj stanici za električnu i elektroničku opremu.
- (Sl. 9) Pazite na izbačene predmete.
- (Sl. 10) Nemojte upotrebljavati metalne noževe.
- (Sl. 11) Proizvod ispunjava mjerodavne direktive EU.
- (Sl. 13) Istosmjerna struja.
- (Sl. 17) Udaljenost između stroja i pro-matrača mora biti najmanje 15 m (50').

ggggtbxxxx Serijski broj nalazi se na natpisnoj pločici ili laserskom ispisu. **yyyy** je godina proizvodnje, a **ww** je tjedan proizvodnje.

Simboli na bateriji i/ili punjaču baterija

- (Sl. 18) Reciklirajte ovaj proizvod u reciklažnoj stanici za električnu i elektroničku opremu. (Primjenjuje se samo u Europi)

- (Sl. 19) Baterije upotrebljavajte samo u proizvodima s partnerskim sustavima POWER FOR ALL.
- (Sl. 14) Sigurnosni transformator.
- (Sl. 15) Punjač baterije upotrebljavajte i čuvajte isključivo u zatvorenom prostoru.
- (Sl. 16) Dvostruka izolacija.

- proizvod nepravilno popravljen
- proizvod popravljen dijelovima koje nije proizveo proizvođač ili nemaju odobrenje proizvođača
- proizvod ima dodatnu opremu koje nije proizveo proizvođač ili nemaju odobrenje proizvođača
- proizvod nije popravljen u odobrenom servisnom centru ili kod ovlaštene osobe.

Proizvođač

Husqvarna AB
SE-561 82, Huskvarna, Sweden

Oštećenje proizvoda

U sljedećim okolnostima nećemo biti odgovorni za oštećenja proizvoda:

Sigurnost

Sigurnosne definicije

Upozorenjima, oprezima i napomenama naglašavaju se posebno važni dijelovi priručnika.



UPOZORENJE: Koristi se kada nepoštivanje uputa iz priručnika može uzrokovati smrt ili ozljede rukovatelja ili promatrača.



OPREZ: Koristi se kada nepoštivanje uputa iz priručnika može uzrokovati oštećenje proizvoda ili drugih materijala u neposrednoj blizini.

Napomena: Koristi se prikaz neophodnih dodatnih informacija za zadanu situaciju.

Opća sigurnosna upozorenja za električne alate



UPOZORENJE: Pažljivo pročitajte sve sigurnosne upute i upozorenja. Nepoštivanje upozorenja i uputa može uzrokovati električni udar, požar i/ili ozbiljne ozljede.

Napomena: Spremite sva upozorenja i upute za buduće potrebe. Pojam "električni alat" u upozorenjima odnosi se na električni alat koji se napaja kabelom putem mrežne utičnice (ožičeni) ili električni alat na baterije (bežični).

Provjera prije uključivanja

- Uvijek uklonite bateriju kako biste spriječili slučajno pokretanje proizvoda. Prije svakog održavanja proizvoda uvijek uklonite bateriju.
- Prije upotrebe proizvoda i nakon svakog udarca provjerite ima li znakova istrošenosti ili oštećenja te ih po potrebi popravite.
- Pregledajte radno područje. Uklonite sve slobodne predmete poput kamenja, razbijenog stakla, čavala, čelične žice, konopca, i sl. koji bi mogli biti izbačeni ili omotani oko rezača ili štitnika rezača.
- Provjerite ima li na motoru prljavštine i pukotina. Travu i lišće s motora očistite četkom. Nosite rukavice kada su potrebne.
- Glava trimera mora biti u potpunosti pričvršćena na trimera.
- Provjerite je li uređaj u savršenom radnom stanju. Provjerite zategnutost svih matrica i vijaka.
- Glava trimera i štitnik trimera ne smiju biti oštećeni ili napukli. Glavu trimera ili štitnik trimera zamijenite ako su bili izloženi udarcu ili ako su napukli. Uvijek upotrebljavajte preporučeni štitnik za specifičan rezni pribor. Vidi poglavlje Tehnički podaci.
- Rukovatelj proizvodom tijekom rada mora onemogućiti pristup ljudima ili životinjama na bliže od 15 metara. Kada nekoliko rukovatelja radi na istom području sigurnosna udaljenost treba biti barem 15 metara.
- Prije upotrebe proizvoda provedite cjeloviti pregled. Pogledajte raspored održavanja.
- Način upotrebe mogli bi određivati nacionalni ili lokalni propisi. Poštujte navedene propise.

Sigurnost na radnom mjestu

- **Radno mjesto mora biti čisto i dobro osvijetljeno.** Zakršeni i tamni prostori čest su uzrok nesreća.

- **Nemojte upotrebljavati električne alate u eksplozivnim okruženjima, primjerice u blizini zapaljivih tekućina, plinova i prašine.** Električni alati stvaraju iskre koje mogu zapaliti prašinu ili isparenja.
- **Dok rukujete električnim alatom, pazite da u blizini nema djece ni promatrača.** Svako ometanje može uzrokovati gubitak nadzora nad strojem.

Električna sigurnost

- **Utikači električnog alata moraju odgovarati utičnicama. Nemojte ni na koji način mijenjati utikač. Nemojte upotrebljavati utikače prilagodnika za električne alate s uzemljenjem.** Originalni utikači i odgovarajuće utičnice smanjuju opasnost od strujnog udara.
- **Izbjegavajte kontakt s uzemljenim površinama kao što su cijevi, radiatori, štednjaci i hladnjaci.** Postoji velika opasnost od strujnog udara ako dođete u dodir s uzemljenom površinom.
- **Električne alate nemojte izlagati kiši ili vlažnim uvjetima.** U slučaju dospijevanja vode u električni alat povećava se opasnost od strujnog udara.
- **Pazite na kabel. Kabel nemojte upotrebljavati za prenošenje, povlačenje ili isključivanje električnog alata. Držite ga podalje od vrućine, ulja, oštarih rubova ili pokretnih dijelova.** Oštećeni ili zapetljani kabeli povećavaju opasnost od strujnog udara.
- **Kada električni alat upotrebljavate na otvorenom, morate upotrebljavati odgovarajući produžni kabel.** Kabel predviđen za upotrebu na otvorenom smanjuje opasnost od strujnog udara.
- **Ako električnim alatom morate rukovati na vlažnom mjestu, koristite napajanje putem zaštitnog uređaja diferencijalne struje (RCD).** Primjenom zaštitnog uređaja diferencijalne struje (RCD) smanjuje se opasnost od strujnog udara.

Osobna sigurnost

- **Budite usredotočeni, pazite što radite i razumno upravljajte električnim alatom. Električni alat nemojte upotrebljavati umorni ili pod djelovanjem droga, alkohola ili lijekova.** Trenutak nepažnje pri rukovanju električnim alatom može uzrokovati ozbiljne tjelesne ozljede.
- **Upotrebljavajte osobnu zaštitnu opremu. Uvijek nosite zaštitu za oči.** Upotreba zaštitne opreme poput maske za prašinu, protukliznih zaštitnih cipela, kacige i štitnika za uši u odgovarajućim uvjetima smanjuje opasnost od tjelesnih ozljeda.
- **Spriječite nehotično pokretanje stroja. Prije podizanja ili prenošenja alata ili pak njegova priključivanja na napajanje i/ili bateriju sklopka mora biti u isključenom položaju (OFF).** Držanje prsta na prekidaču prilikom nošenja električnih alata ili priključivanje napajanja električnih alata kojima je prekidač uključen povećava rizik od nesreće.
- **Prije uključivanja električnog alata izvadite klin za prilagođavanje ili uklonite ključ.** Ako ključ ili klin ostanu na pokretnom dijelu električnog alata, može doći do tjelesnih ozljeda.

- **Ne posežite predaleko. Uvijek imajte dobar oslonac i održavajte ravnotežu.** To omogućuje bolju kontrolu električnog alata u neočekivanim situacijama.
- **Nosite prikladnu odjeću. Nemojte nositi široku odjeću ni nakit. Kosu i odjeću držite podalje od pomičnih dijelova.** Široka odjeća, nakit ili duga kosa mogu zapeti u pokretnim dijelovima stroja.
- **Ako su priloženi uređaji za povezivanje mehanizama za izdvajanje i prikupljanje prašine, pripazite na njihovo pravilno priključivanje i upotrebu.** Upotreba mehanizma za prikupljanje prašine može smanjiti opasnosti uzrokovane prašinom.
- **Zbog rutiniranosti nastale čestom primjenom alata nemojte postati samodopadni te zanemarivati sigurnosna pravila.** Neoprezan rad u djeliću sekunde može uzrokovati ozbiljnu ozljedu.
- **Jačina vibracija tijekom upotrebe električnog alata može se razlikovati od navedene ukupne vrijednosti ovisno o načinu upotrebe alata. Kako bi se zaštitio, rukovatelj mora odrediti sigurnosne mjere koje se temelje na procjeni izlaganja u stvarnim uvjetima upotrebe (u obzir treba uzeti sve dijelove u radnom ciklusu, kao što je broj isključivanja alata i rad u praznom hodu uz korištenje prekidača).**

Upotreba i održavanje električnog alata

- **Nemojte preopterećivati električni alat. Upotrebljavajte električni alat koja odgovara namjeni.** Odgovarajući električni alat posao će obaviti bolje i sigurnije pri onoj brzini za koju je oblikovan.
- **Nemojte upotrebljavati električni alat ako mu se sklopka ne može uključiti i isključiti.** Električni alat kojim ne možete upravljati putem sklopke opasan je i potrebno ga je popraviti.
- **Prije bilo kakvih izmjena, zamjene dodatne opreme ili spremanja električnog alata isključite utikač od izvora napajanja i/ili izvadite baterijski paket iz električnog alata.** Te preventivne sigurnosne mjere smanjuju opasnost od nehotičnog pokretanja električnog alata.
- **Električne alate koji nisu u upotrebi skladištite izvan dohvata djece i osobama koje ne poznaju alat i nisu pročitale ove upute nemojte dopustiti rukovanje alatom.** Električni alati mogu biti opasni kada njima rukuju neiskusni korisnici.
- **Održavajte električni aparat i dodatnu opremu. Provjerite jesu li spojni ili pokretni dijelovi pogrešno namješteni, je li neki dio oštećen te postoje li neki drugi uzroci koji bi mogli onemogućiti ispravan rad električnog alata. Ako postoje oštećenja, popravite električni alat prije upotrebe.** Uzrok mnogim nesrećama jest loše održavanje električnih alata.
- **Alati za rezanje moraju biti oštri i čisti.** Ispravno održavani alati za rezanje s oštrim reznim ostricama neće se zablokirati te ih je lakše kontrolirati.
- **Upotrebljavajte električni alat, dodatke i dijelove itd. u skladu s ovim uputama, uzimajući u obzir radne uvjete i posao koji treba obaviti.** Upotreba električnih alata u neodgovarajuće svrhe može dovesti do opasnih situacija.

- **Ručke i prihvatne površine moraju biti suhe, čiste i bez tragova ulja i masti.** Klizave ručke i prihvatne površine u neočekivanim situacijama onemogućuju sigurno rukovanje i kontrolu na alatom.

Upotreba i čišćenje alata za bateriju

- **Bateriju punite samo punjačem koji je odredio proizvođač.** Punjač prikladan za jedan tip baterije može izazvati rizik od požara ako se koristi s drugom baterijom.
- **Proizvode upotrebljavajte samo uz posebno namijenjene baterijske komplete.** Upotreba bilo koje druge baterije može izazvati rizik od ozljede i požara.
- **Kad bateriju ne koristite, držite je daleko od ostalih metalnih predmeta kao što su spojnice za papir, novčići, ključevi, čavli, vijci ili drugi mali metalni predmeti koji bi mogli dovesti do spoja između priključaka.** Kratki spoj između priključaka baterije može prouzročiti opekline ili požar.
- **U uvjetima lošeg postupanja, iz baterije može štrcnuti tekućina, izbjegavajte dodir s njom. Ako slučajno dođe do dodira, isperite vodom. Ako tekućina dođe u dodir s očima, potražite i liječničku pomoć.** Tekućina koja štrcne iz baterije može izazvati iritacije ili opekline.
- **Nemojte upotrebljavati baterijski komplet ili alat koji je oštećen ili modificiran.** Oštećene ili modificirane baterije mogu se nepredvidivo ponašati i time dovesti do požara, eksplozije ili opasnosti od ozljede.
- **Baterijski komplet ni alat nemojte izlagati vatri ni ekstremnim temperaturama.** Izlaganje vatri ili temperaturama većima od 130 °C / 265 °F može dovesti do eksplozija.
- **Pridržavajte se svih uputa za punjenje i baterijski komplet ni alat nemojte puniti izvan temperaturnog raspona navedenog u uputama.** Neispravno punjenje ili držanje na temperaturama izvan navedenog raspona može oštetiti bateriju i povećati mogućnost požara.

Servisiranje

- **Električni alat mora servisirati obučeni serviser s jednakim zamjenskim dijelovima.** Time se zadržava sigurnost električnog alata.
- **Oštećene baterijske pakete nikada nemojte servisirati.** Servisiranje baterijskih paketa dopušteno je samo proizvođaču ili ovlaštenim servisnim distributerima.

Zdrav razum treba prevladati

Nije moguće obuhvatiti sve situacije s kojima se možete susresti. Uvijek postupajte oprezno i slijedite zdrav razum. Izbjegavajte sve situacije izvan vaših sposobnosti. Ako se i nakon čitanja ovih uputa osjećate nesigurni u pogledu radnih postupaka, obratite se stručnoj osobi prije nastavka.



UPOZORENJE: Djeca ne smiju upotrebljavati stroj niti boraviti u njegovoj blizini. Budući da se uređaj može lako

pokrenuti, djeca bi ga mogla aktivirati dok nisu pos strogim nadzorom. To može rezultirati ozbiljnim tjelesnim ozljedama. Stoga odvojite bateriju kada stroj nije pod strogim nadzorom.

Opće sigurnosne upute



UPOZORENJE: Prije upotrebe proizvoda pročitajte upute upozorenja u nastavku.

- Uklonite bateriju kako biste spriječili slučajno pokretanje proizvoda.
- Ako ga upotrebljavate neoprezno ili nepravilno, ovaj proizvod je opasan alat. Ovaj proizvod može izazvati teške ozljede ili smrt rukovatelja ili drugih osoba.
- Nemojte upotrebljavati proizvod ako su mu promijenjene početne specifikacije. Nemojte mijenjati dio proizvoda bez odobrenja proizvođača. Upotrebljavajte isključivo dijelove s odobrenjem proizvođača. Nepravilno održavanje može uzrokovati ozljede ili smrt.
- Pregledajte proizvod prije upotrebe. Pogledajte *Provjera prije uključivanja na stranici 212 i Prije rada s proizvodom na stranici 219.* Nemojte upotrebljavati proizvod koji je izmijenjen ili neispravan. Provodite sigurnosne provjere, održavanje i servis opisane u ovom priručniku.
- Djecu treba nadzirati kako se ne bi igrala s proizvodom. Upotrebu ili servisiranje proizvoda i/ili baterije nikada nemojte prepustiti djeci ili osobama bez odgovarajuće obuke. Dob korisnika može biti regulirana lokalnim zakonima.
- Proizvod čuvajte u zaključanom prostoru kako biste onemogućili pristup djeci ili osobama bez odobrenja.
- Proizvod spremite izvan dohvata djece.
- Ni u kojem slučaju ne smijete mijenjati dizajn proizvoda bez odobrenja od proizvođača. Obavezno upotrebljavajte originalnu dodatnu opremu. Neovlaštene izmjene i/ili rezervna oprema može uzrokovati ozbiljne osobne ozljede ili smrt rukovatelja ili drugih osoba.

Napomena: Upotrebu mogu regulirati nacionalni ili lokalni propisi. Poštujte navedene propise.

Sigurnosne upute za rad



UPOZORENJE: Prije upotrebe proizvoda pročitajte upozoravajuće upute u nastavku.

- **Izbjegavajte upotrebu stroja tijekom loših vremenskih uvjeta, pogotovo ako postoji opasnost od grmljavinskog nevremena.** Time smanjujete opasnost od udara munje.

- **Temeljito provjerite ima li u području upotrebe proizvoda divljih životinja.** Stroj u radu može ozlijediti divlje životinje.
- **Temeljito pregledajte područje upotrebe stroja te uklonite sve kamenje, grane, žice, kosti i druge strane predmete.** Izbačeni predmeti mogu uzrokovati tjelesne ozljede.
- **Prije upotrebe stroja obavezno vizualno provjerite jesu li rezač i sklop rezača neoštećeni.** Oštećeni dijelovi povećavaju opasnost od ozljede.
- **Štitnici moraju biti postavljeni. Štitnici moraju biti ispravni i pravilno postavljeni.** Nepričvršćen, oštećen ili neispravan štitnik može uzrokovati tjelesnu ozljedu.
- **Sve ulaze rashladnog zraka čistite od ostataka.** Neprohodni ulazi zraka i ostaci mogu uzrokovati pregrijavanje ili opasnost od požara.
- **Nosite zaštitu za oči i uši.** Prikladna zaštitna oprema ublažava osobne ozljede.
- **Tijekom rada sa strojem obavezno nosite protukliznu i zaštitnu obuću. Strojem nemojte rukovati bosonogi ni u otvorenim sandalama.** Tako smanjujete mogućnost ozljede stopala pri kontaktu s rezačem u pokretu.
- **Tijekom rada sa strojem uvijek nosite odjeću poput hlača koja pokriva noge rukovatelja.** Kontakt s rezačem u pokretu ili flaksom može uzrokovati ozljedu.
- **Tijekom rada sa strojem onemogućite prilaz promatračima.** Izbačeni ostaci mogu uzrokovati ozbiljne tjelesne ozljede.
- **Stroj nemojte pogoniti iznad razine struka.** Tako smanjujete mogućnost slučajnog kontakta s rezačem i omogućujete bolju kontrolu nad strojem u neočekivanim situacijama.
- **Budite pažljivi pri upotrebi stroja u mokroj travi. Hodajte, nemojte trčati.** Tako smanjujete opasnost od klizanja i pada, pri čemu može doći do osobne ozljede.
- **Stroj nemojte upotrebljavati na izrazito strmim kosinama.** Tako smanjujete opasnost od gubitka kontrole, klizanja i pada, pri čemu može doći do osobne ozljede.
- **Kada radite na kosinama, uvijek radite poprečno duž kosine, nikada uz ili niz, i budite iznimno pažljivi pri promjeni smjera.** Tako smanjujete opasnost od gubitka kontrole, klizanja i pada, pri čemu može doći do osobne ozljede.
- **Sve električne žice i kabele držite podalje od područja rezanja.** Električne žice ili kabeli mogu biti prikriveni živicama ili grmljem i možete ih nehotično prerezati ili oštetiti flaksom ili rezačem.
- **Sve dijelove tijela držite podalje od rezača za obrezivanje u pokretu ili flaksa. Nemojte uklanjati materijal sa stroja dok ga ne odspojite od izvora napajanja.** Rezač za obrezivanje u pokretu ili flaks mogu uzrokovati ozbiljne osobne ozljede.
- **Stroj prenosite s isključenim motorom i uvijek podalje od tijela.** Pravilnim rukovanjem strojem smanjujete

vjerojatnost slučajnog kontakta s rezačem za obrezivanje u pokretu ili flaksom.

- **Upotrebljavajte samo zamjenske rezne glave i rezače za trimere ili flaks koje navodi proizvođač. Rezače za trimere ili flaks nemojte zamjenjivati metalnim žicama ili noževima.** Neodgovarajući zamjenski dijelovi mogu uzrokovati gubitak kontrole, pucanje i ozljedu.

Oprema za osobnu zaštitu



UPOZORENJE: Prije upotrebe proizvoda pročitajte upozoravajuće upute u nastavku.

- Prilikom uporabe proizvoda uvijek upotrebljavajte odobrenu osobnu zaštitnu opremu. Oprema za osobnu zaštitu ne može u potpunosti spriječiti ozljede, no smanjuje stupanj ozljede u slučaju nezgode. Pri odabiru odgovarajuće opreme zatražite pomoć ovlaštenog trgovca.
- Upotrebljavajte odobrenu zaštitu sluha.

(Sl. 21)

- Upotrebljavajte odobrenu zaštitu za oči. Ako nosite vizir, morate nositi i odobrene zaštitne naočale. Odobrene zaštitne naočale moraju ispunjavati normu ANSI Z87.1 za SAD ili EN 166 za države EU-a.

(Sl. 22)

- Po potrebi nosite rukavice – primjerice prilikom pričvršćenja, pregleda ili čišćenja rezne opreme.

(Sl. 23)

- Nosite zaštitne čizme sa čeličnom kapicom i protukliznim potplatima.

(Sl. 24)

- Nosite odjeću napravljenu od čvrstog materijala. Uvijek nosite teške duge hlače i duge rukave. Nemojte nositi široku odjeću koja može zapinjati za grane i prutove. Ne nosite nakit, kratke hlače niti sandale. Ne budite bosonogi. Kosu podignite iznad ramena.
- Opremu za prvu pomoć držite u blizini.

(Sl. 25)

Sigurnosni uređaji na proizvodu



UPOZORENJE: Prije upotrebe proizvoda pročitajte upute upozorenja u nastavku.

U ovom odjeljku opisane su sigurnosne značajke proizvoda, njegova namjena te način provedbe provjera i održavanja za osiguranje ispravnog rada. Potražite upute pod naslovom *Uvod na stranici 210* kako biste pronašli položaj ovih dijelova na proizvodu.

Nepravilno održavanje te neprofesionalno servisiranje i/ili popravci proizvoda skraćuju vijek trajanja proizvoda

i povećavaju opasnost od nezgoda. Sve dodatne informacije zatražite od najbližeg servisnog trgovca.



UPOZORENJE: Nikada nemojte upotrebljavati proizvod s oštećenim sigurnosnim komponentama. Provodite provjere i održavajte sigurnosnu opremu proizvoda prema uputama opisanim u ovom odjeljku. Ako proizvod ne zadovolji bilo koju od ovih provjera, obratite se serviseru radi popravka.



OPREZ: Ptreban je specijalan tečaj za servisiranje i popravak stroja. Ovo se posebno odnosi na sigurnosnu opremu stroja. Ako stroj ne zadovolji neke od provjera navedenih u nastavku, obratite se serviseru. Pri kupnji naših proizvoda jamčimo dostupnost profesionalnih popravaka i servisa. Ako prodavač koji vam je prodao proizvod nije zadužen i za servisiranje, zatražite adresu najbližeg servisera.

Provjera korisničkog sučelja

Zeleni LED indikatori (A) prikazuju status baterije kada je proizvod uključen, no ne radi.

1. Pritisnite i zadržite gumb za uključivanje/isključivanje (B). (Sl. 26)
 - a) Proizvod je uključen kada svijetle zeleni LED indikatori (A).
 - b) Proizvod je isključen kada zeleni LED indikatori (A) ne svijetle.
2. Pogledajte *Rješavanje problema na stranici 222* ako se uključi ili treperi indikator upozorenja (C).

Provjera blokade okidača paljenja

Blokada okidača paljenja sprječava nehotičan pogon. Pritiskom blokade okidača paljenja (A) otpuštate okidač paljenja (B). Kada otpustite ručku, okidač paljenja i blokada okidača paljenja vraćaju se na svoj početni položaj. (Sl. 27)

1. Provjerite je li okidač paljenja blokiran kada je blokada okidača paljenja u početnom položaju. (Sl. 28)
2. Pritisnite okidač paljenja i provjerite vraća li se po otpuštanju u početni položaj. (Sl. 29)

3. Provjerite pomiču li se okidač paljenja i blokada okidača paljenja slobodno, kao i ispravnost povratne opruge.

(Sl. 30)

4. Pokrenite proizvod. Pogledajte *Pokretanje proizvoda na stranici 220*.
5. Otpustite okidač paljenja i provjerite je li se rezni nastavak potpuno zaustavio.

Provjera štitnika za rezni pribor



UPOZORENJE: Rezni pribor nemojte upotrebljavati bez odobrenih i pravilno ugrađenih štitnika za rezni pribor. Uvijek upotrebljavajte preporučeni štitnik za rezni pribor koji upotrebljavate, pogledajte *Tehnički podaci na stranici 224*. Ugradnjom neodgovarajućeg ili neispravnog štitnika za rezni pribor možete uzrokovati ozbiljne tjelesne ozljede.

Štitnik za rezni pribor zaustavlja predmete koji se izbacuju prema rukovatelju. Štitnik za rezni pribor također sprječava ozljede koje mogu nastati pri dodiru reznog pribora.

1. Zaustavite motor.
2. Vizualno potražite oštećenja, primjerice napukline.
3. Ako je štitnik za rezni pribor oštećen, zamijenite ga.

Rezna oprema

Odaberite odgovarajuću reznu opremu i redovito je održavajte kako biste:

- Ostvarili najučinkovitije rezanje.
- Produljili vijeka trajanja rezne opreme.



UPOZORENJE: Upotrebljavajte samo preporučene rezne nastavke i štitnike! Pogledajte *Tehnički podaci na stranici 224*. U uputama za rezni nastavak potražite kako pravilno postaviti flaks trimera i koji je ispravan promjer flaksa za trimer.



UPOZORENJE: Neispravan rezni nastavak povećava opasnost od nezgode.

Glava trimera



UPOZORENJE: Flaks trimera uvijek čvrsto i ravnomjerno zategnite oko bubnja kako biste spriječili štetne vibracije.

(Sl. 31)

- Upotrebljavajte samo preporučene glave i flaks trimera.
- Upotrebljavajte samo preporučene rezne nastavke.
- Za manje strojeve u pravilu su potrebne manje glave trimera i obrnuto.
- Duljina flaksa trimera također je važna. Dulji flaks trimera zahtjeva jači motor od kraćeg flaksa trimera istog promjera.
- Rezač na štitniku trimera ne smije biti oštećen. On skraćuje flaks trimera na ispravnu duljinu.
- Prije upotrebe nekoliko dana flaks trimera namačite u vodi kako biste mu produljili vijek trajanja.

Sigurnost baterije



UPOZORENJE: Pročitajte sve sigurnosne i opće upute. Nepridržavanjem sigurnosnih i općih uputa možete uzrokovati strujni udar, požar i / ili teške ozljede. **Sačuvajte sve sigurnosne informacije i opće upute za buduću upotrebu.**

- **Ove sigurnosne upute primjenjive su samo za litij-ionske punjive baterije od 18 V za sustav POWER FOR ALL.**
- **Punjive baterije upotrebljavajte samo u proizvodima s partnerskim sustavima POWER FOR ALL.** Punjive baterije od 18 V s oznakom POWER FOR ALL potpuno su kompatibilne sa sljedećim proizvodima:
 - Svim proizvodima s baterijskim sustavom POWER FOR ALL od 18 V.
 - Svim proizvodima s partnerskim sustavima POWER FOR ALL od 18 V.
- **Poštujte preporuke za baterije iz korisničkog priručnika za proizvod.** Samo tako je punjive baterije i proizvod moguće sigurno upotrebljavati, a punjive baterije zaštititi od opasnog preopterećenja.
- **Baterije punite samo punjačima koje preporučuje proizvođač ili iz partnerskih sustava POWER FOR ALL.** Punjač prikladan za jednu vrstu baterije može uzrokovati opasnost od požara ako se upotrebljava s drugom baterijom.
- **Baterija se isporučuje djelomično napunjena.** Kako biste osigurali puni kapacitet baterije, prije prve upotrebe motornog proizvoda napunite bateriju u punjaču.
- **Baterijske pakete držite izvan dohvata djece.**
- **Bateriju nemojte otvarati.** Postoji opasnost od kratkog spoja.
- **U slučaju oštećenja ili nepravilne upotrebe baterije može doći do ispuštanja para. Baterija se može zapaliti ili eksplodirati.** Osigurajte dobro prozračenošću prostora i zatražite liječničku pomoć ako osjetite negativne učinke. Pare mogu nadražiti respiratorni sustav.
- **Ako se nepravilno upotrebljavaju ili dođe do oštećenja baterije, može doći do ispuštanja zapaljive tekućine iz baterija. Kontakt s tom tekućinom treba**

izbjegavati. Ako slučajno dođe do kontakta, isperite vodom. Ako tekućina dođe u kontakt s očima, zatražite dodatnu liječničku pomoć. Tekućina koja štrne iz baterije može izazvati iritacije ili opekline.

- **Ako se baterija ošteti, može doći do ispuštanja tekućine koja će prekriti okolne površine. Provjerite zahvaćene dijelove.** Očistite dijelove ili ih po potrebi zamijenite.
- **Baterijski paket nemojte kratko spajati. Kad baterijski paket ne upotrebljavate, držite ga dalje od drugih metalnih predmeta poput spojnice za papir, novčića, ključeva, čavala, vijaka ili drugih malih metalnih predmeta koji mogu spojiti priključke.** Kratki spoj priključaka baterije može uzrokovati opekline ili požar.
- **Bateriju mogu oštetiti šljasti predmeti poput čavala ili odvijača, ili vanjska sila.** Može doći do unutarnjeg kratkog spoja koji uzrokuje zapaljenje, dimljenje, eksploziju ili pregrijavanje baterije.
- **Oštećene baterijske komplete nikada nemojte servisirati.** Servisiranje baterijskih kompleta dopušteno je samo proizvođaču ili ovlaštenim servisnim distributerima.
- **Zaštitite bateriju od topline, npr. od trajne intenzivne sunčeve svjetlosti, plamena, prljavštine, vode i vlažnosti.** Postoji opasnost od eksplozije i kratkog spoja.
- **Bateriju u proizvodu upotrebljavajte samo pri temperaturama okoline u rasponu od -5 °C — 40 °C.**
- **Bateriju skladištite samo pri temperaturi okoline u rasponu od -20 °C — 50 °C.** Na primjer, bateriju tijekom ljeta nemojte ostavljati u automobilu. Pri temperaturama < 0 °C na nekim uređajima dolazi do smanjenja snage.
- **Bateriju punite samo kada je temperatura okoline između 0 °C — 35 °C.** Punjenjem izvan ovog raspona temperature može se povećati opasnost od oštećenja baterije te predstavlja opasnost od požara.

Sigurnost punjača baterije



UPOZORENJE: Pročitajte sve sigurnosne i opće upute. Nepridržavanjem sigurnosnih i općih uputa možete uzrokovati strujni udar, požar i / ili teške ozljede. **Ove upute spremite na sigurno mjesto.** Punjač upotrebljavajte samo ako možete u potpunosti procijeniti sve funkcije i provoditi ih bez ograničenja, ili ako ste dobili odgovarajuće upute.

- **Nadzirite djecu tijekom upotrebe, čišćenja i održavanja.** Tako osiguravate da se djeca ne igraju s punjačem.
- **Litij-ionske baterije sustava POWER FOR ALL od 18 V punite samo s kapacitetom od 1,5 Ah ili većim (5 baterijskih ćelija ili više).** Napon baterije mora se podudarati s naponom punjača za punjenje baterije. **Nemojte puniti nepunjive baterije.** U suprotnom uzrokuje opasnost od požara i eksplozije.

- **Punjač nemojte izlagati kiši ili mokrim uvjetima.** Prodor vode u motorni alat povećava opasnost od strujnog udara.
- **Punjač održavajte čistim.** Onečišćenje uzrokuje opasnost od strujnog udara.
- **Prije upotrebe obavezno pregledajte punjač, kabel i utikač. Ako pronađete bilo kakvo oštećenje, prekinite s upotrebom punjača. Punjač nemojte otvarati sami. Popravak prepustite samo obučenom stručnjaku, s isključivo originalnim zamjenskim dijelovima.** Oštećeni punjači, kabeli i utikači povećavaju opasnost od strujnog udara.
- **Punjač nemojte upotrebljavati na lako zapaljivoj površini (npr. papiru, tkanini itd.) ili u zapaljivom okruženju.** Postoji opasnost od požara zbog zagrijavanja punjača tijekom rada.
- **Bateriju punite samo punjačem koji navodi proizvođač.** Punjač prikladan za jednu vrstu baterije može uzrokovati opasnost od požara ako se upotrebljava s drugim baterijskim paketom.
- **U slučaju oštećenja ili nepravilne upotrebe baterije također može doći do ispuštanja para.** Osigurajte dobro prozračenošću prostora i zatražite liječničku pomoć ako osjetite negativne učinke. Pare mogu nadražiti respiratorni sustav.
- **Pri zlouporabi iz baterije može štrcnuti tekućina. Kontakt s tom tekućinom treba izbjegavati. Ako slučajno dođe do kontakta, isperite vodom. Ako tekućina dođe u kontakt s očima, zatražite dodatnu liječničku pomoć.** Tekućina koja štrcne iz baterije može izazvati iritacije ili opekline.
- **Ventilacijske otvore punjača nemojte pokrивati.** Inače može doći do pregrijavanja i punjač više neće raditi ispravno.
- **Ako je potrebno zamijeniti pojni kabel, radi sprječavanja sigurnosnih opasnosti to morate prepustiti tvrtki Husqvarna ili servisnom centru za kupce ovlaštenom za popravlanje motornih alata tvrtke Husqvarna.**
- **Proizvodi koji se prodaju samo u VB:** Proizvod je opremljen s električnim utikačem s unutarnjim osiguračem s odobrenjem BS 1363/A (odobrenje ASTA prema BS 1362). Ako je utikač neprikladan za utičnice, kod ovlaštenog servisnog agenta trebate zamijeniti s prikladnim utikačem. Zamjenski utikač mora imati isti osigurač kao i originalni utikač. Odojveni utikač mora se baciti u otpad kako bi se

spriječila od strujnog udara i nikada se ne smije umetati u mrežnu utičnicu.



UPOZORENJE: Zastoj srca!

Proizvod tijekom rada proizvodi elektromagnetsko polje. To polje u određenim okolnostima može ometati aktivne ili pasivne medicinske implantate. Za smanjenje opasnosti od uvjeta koji mogu uzrokovati ozljede ili smrt, osobama s medicinskim implantatima prije korištenja ovog uređaja preporučujemo obraćanje liječniku i proizvođaču medicinskog implantata.



UPOZORENJE: Opasnost od gušenja!

Mali dijelovi mogu se lako progutati. Također postoji opasnost od gušenja male djece vrećicom. Tijekom sastavljanja onemogućite pristup maloj djeci.

Sigurnosne upute za održavanje



UPOZORENJE: Prije održavanja

proizvoda pročitajte upozoravajuće upute u nastavku.

- Uklonite bateriju prije održavanja, drugih provjera ili sastavljanja proizvoda.
- Rukovatelj smije provoditi samo radove održavanja i servisiranja opisane u ovom korisničkom priručniku. Za veća održavanja i servisiranje obratite se serviseru.
- Bateriju ili punjač baterije nikada nemojte čistiti vodom. Jači deterdžent može oštetiti plastiku.
- Ako ne provodite održavanje, smanjujete vijek trajanja stroja i povećavate opasnost od nezgoda.
- Sva servisiranja i popravci uvjetuju posebnu obuku, posebice oni na sigurnosnim uređajima na proizvodu. Ako nakon provedbe održavanja nisu odobrene sve provjere iz ovog korisničkog priručnika, obratite se serviseru. Jamčimo dostupnost profesionalnih popravaka i servisiranja za vaš proizvod.
- Koristite samo originalne rezervne dijelove.

Sastavljanje

Uvod



UPOZORENJE: Prije sklapanja proizvoda s razumijevanjem pročitajte poglavlje o sigurnosti.

Postavljanje štitnika trimera

1. Postavite štitnik trimera uz kućište motora. (Sl. 32)

2. Postavite dva vijka kroz kućište motora i štitnik trimera. (Sl. 33)
3. Zategnite vijke.

Sastavljanje glave trimera

1. Okrećite izlaznu osovinu dok se otvor na pogonskom disku ne poravnava s otvorom na kućištu mjenjača.
2. Umetnite kombinirani u otvor kako biste blokirali vratilo.

3. Okrećite glavu trimera u smjeru suprotnom od kazaljke na satu. (Sl. 34)

Ugradnja štitnika za biljke

1. Štitnik za biljke ugradite u otvore na kućištu motora. (Sl. 35)
2. Provjerite ,može li se štitnik za biljke može neometano pomicati naprijed i natrag. (Sl. 36)

Postavljanje kuke na zid

- Kuku postavite u zatvorenom prostoru.
- Kuka treba biti izvan dosega sunčevih zraka, na temperaturi okoline od - 10 °C do 70 °C.
- Kuku postavite na gipsani zid, drvo ili betonski zid.



OPREZ: Provjerite ima li zid nosivost od najmanje 30 kg.

- Kuku na zid postavite s tri vijka (A). Ako je potrebno, primijenite tiple (B). (Sl. 37)



OPREZ: Provjerite jesu li vijci prikladni za vrstu vašeg zida.

- Informacije o dostupnoj opremi za skladištenje proizvoda zatražite od servisnog agenta tvrtke Husqvarna.

Rad

Uvod



UPOZORENJE: Prije upotrebe proizvoda pročitajte i usvojite poglavlje o sigurnosti.

Prije rada s proizvodom

- Pregledajte radno područje kako biste se uvjerali da poznajete tu vrstu terena. Pregledajte nagib tla te provjerite ima li kakvih prepreka, kao što su kamenja, grane i rupe.
- Provedite opći pregled proizvoda.
- Provedite sigurnosne preglede, održavanje i servisiranje iz ovog priručnika.
- Provjerite ima li na motoru prljavštine i pukotina. Četkom s motora očistite travu i lišće. Po potrebi nosite rukavice.
- Pregledajte ima li na glavi trimera i štitniku za rezni pribor oštećenja ili pukotina. Zamijenite glavu trimera i štitnik za rezni pribor ako su udareni ili ako su napukli.
- Provjerite jesu li sve matice i vijci zategnuti.
- Prije pokretanja proizvoda provjerite jesu li svi poklopci, štitnici, ručke i rezni pribor neoštećeni i pravilno pričvršćeni.

Baterija



UPOZORENJE: Prije upotrebe baterije morate pročitati i usvojiti poglavlje o sigurnosti. Također morate pročitati i usvojiti korisnički priručnik za bateriju i punjač baterije.

Bateriju i punjač čuvajte na ispravnoj temperaturi okoline.

	Temperatura okoline
Upotreba baterije u proizvodu	-5 °C — 40 °C
Punjenje baterije	0 °C — 35 °C

Zamjena baterije

Prije prve upotrebe napunite bateriju.

Napomena: Baterija se ne puni ako je njezina temperatura viša od 35 °C.

1. Pojni kabel punjača baterije priključite na uzemljenu mrežu.



OPREZ: Provjerite ima li mreža ispravan napon i frekvenciju.

2. Postavite bateriju u punjač baterije. Baterija je priključena na punjač baterije kada treperi zeleni LED indikator. (Sl. 38)
3. Baterija je potpuno napunjena kada je zeleni LED indikator na bateriji uključen. Bateriju punite najdulje 24 sata.
4. Odspojite punjač baterije od mreže.



OPREZ: Nemojte povlačiti kabel za napajanje.

5. Izvadite bateriju iz punjača baterije.

LED indikator statusa na punjaču baterije

Crveni (A) i zeleni (B) LED indikator na punjaču baterije prikazuju status baterije. Pogledajte *LED indikator statusa baterije na proizvodu na stranici 220*.

(Sl. 39)

LED	Status baterije
Zeleni LED indikator brzo treperi.	Baterija se puni.
Zeleni LED indikator sporo treperi.	Baterija je napunjena 80 %.
Zeleni LED indikator je uključen.	Baterija je potpuno napunjena.
Crveni LED indikator je uključen.	Pogledajte <i>LED indikator statusa baterije na proizvodu na stranici 220</i> .
Crveni LED indikator brzo treperi.	Pogledajte <i>LED indikator statusa baterije na proizvodu na stranici 220</i> .

LED indikator statusa baterije na proizvodu

Kada bateriju postavite u proizvod, LED indikatori na bateriji prikazuju status baterije.

(Sl. 40)

LED	Status baterije
Svijetle LED indikatori 1, 2 i 3.	Potpuno napunjena.
Svijetle LED indikatori 1 i 2.	Dovoljno napunjena
Svijetli LED indikator 1.	Baterija je slaba.
LED indikator 1 treperi.	Baterija je prazna. Indikator statusa baterije treperi. Napunite bateriju. Pogledajte <i>Zamjena baterije na stranici 219</i> .

Priključivanje baterija na proizvod



UPOZORENJE: Bateriju upotrebljavajte isključivo s proizvodima sa sustavom POWER FOR ALL od 18 V.

1. Provjerite je li baterija potpuno napunjena.

2. Umetnite bateriju u držač baterije na proizvodu. Ako bateriju nije lako umetnuti u držač, nije pravilno umetnuta.

(Sl. 41)

3. Baterija se učvršćuje u položaju sa škljocajem.

Pokretanje proizvoda

1. Pritisnite i zadržite gumb za uključivanje/isključivanje dok se ne uključi zeleni LED indikator. (Sl. 42)
2. Pritisnite blokadu okidača paljenja i okidač paljenja. Rezna oprema počinje se okretati.

Podešavanje okrugle ručke i teleskopskog vratila

1. Pritisnite gumb za podešavanje okrugle ručke.

(Sl. 43)

2. Postavite okruglu ručku pod odgovarajući kut.
3. Otpustite gumb za podešavanje okrugle ručke.
4. Otpustite ručicu na vratilu. (Sl. 44)
5. Postavite potrebnu duljinu vratila.
6. Zatvorite ručicu i zategnite vijak.

Napomena: Dva položaja okrugle ručke prikazana na slikama samo su za transport i/ili skladištenje.

(Sl. 45)

Funkcija automatskog isključenja

Proizvod ima automatsku funkciju isključenja koja ga isključuje kada se ne upotrebljava. Proizvod se isključuje nakon 3 minutes.

Rad s proizvodom

Podrezivanje trave

1. Glavu trimera držite neposredno iznad tla, pod kutom. Flaks trimera nemojte utiskivati u travu. (Sl. 46)
2. Smanjite duljinu flaksa trimera za 8 – 10 cm / 3,15" – 4".

Čišćenje trave

1. Glavu trimera držite iznad tla.
2. Nagnite glavu trimera.
3. Oko predmeta u radnom području režite s krajem flaksa trimera.



OPREZ: Režite travu. Ako flaksom trimera udarate u druge predmete, pojačavate trošenje flaksa trimera.

Košenje trave

1. Flaks trimera tijekom košenja treba biti paralelan s tlom. (Sl. 47)
2. Glavu trimera nemojte pritiskati na tlo. Tako možete oštetiti proizvod.
3. Pri košnji trave pomičite proizvod s jedne na drugu stranu. (Sl. 48)

Čišćenje trave

Tok zraka okretajućeg flaksa trimera možete upotrijebiti za uklanjanje odrezane trave iz područja.

1. Glavu trimera i flaks držite paralelno iznad tla.
2. Pomičite glavu trimera s jedne na drugu stranu kako biste počistili travu.

poklopac glave trimera kako biste spriječili neuravnoteženost i vibracije na ručkama. Također pregledajte druge dijelove glave trimera i po potrebi ih očistite.

Zaustavljanje proizvoda

1. Otpustite okidač paljenja i blokadu okidača paljenja.
2. Pritisnite gumb za pokretanje/zaustavljanje dok se ne isključi zeleni LED indikator.
3. Pritisnite gumb za otpuštanje na bateriji i izvadite bateriju iz proizvoda. (Sl. 49)

Zamjena flaksa trimera

Pogledajte posljednju stranicu u ovom korisničkom priručniku.



UPOZORENJE: Pri svakom postavljanju novog flaksa trimera očistite

Održavanje

Uvod



UPOZORENJE: Prije održavanja proizvoda pročitajte i usvojite sigurnosno poglavlje.

U nastavku je popis koraka održavanja neophodnih za održavanje proizvoda. Više informacija potražite u odjeljku *Održavanje na stranici 221*.

Raspored održavanja



UPOZORENJE: Prije održavanja izvadite bateriju.

Održavanje	Dnevno	Tjedno	Mjesečno
Vanjske dijelove proizvoda očistite suhom krpom. Nemojte prati vodom.	X		
Provjerite radi gumb za pokretanje/zaustavljanje ispravno te je li neoštećen.	X		
Iz sigurnosnih razloga provjerite ispravnost okidača paljenja i blokade okidača paljenja.	X		
Provjerite rade li sve komande ispravno i jesu li neoštećene.	X		
Ručke moraju biti suhe, očišćenje od ulja i masti.	X		
Provjerite je li rezni pribor neoštećen. Ako je rezni pribor oštećen, zamijenite ga.	X		
Provjerite je li štitnik za rezni pribor neoštećen. Ako je štitnik za rezni pribor oštećen, zamijenite ga.	X		
Provjerite jesu li vijci i matice pritegnuti.	X		
Provjerite rade li gumbi za otpuštanje na bateriji i pričvršćuju li bateriju u proizvodu.	X		
Provjerite je li punjač baterije neoštećen te radi li ispravno.	X		
Provjerite je li baterija neoštećena.	X		

Održavanje	Dnevno	Tjedno	Mjesečno
Provjerite je li baterija napunjena.	X		
Provjerite je li punjač baterije neoštećen.	X		
Pregledajte sve kabele, spojnice i priključke. Uvjerite se kako su neoštećeni i čisti.		X	
Provjerite spojeve između baterije i proizvoda. Provjerite spoj između baterije i punjača.			X

Pregled baterije i punjača baterije

1. Provjerite ima li na bateriji oštećenja, primjerice pukotina.
2. Provjerite ima li na punjaču baterije oštećenja, primjerice pukotina.
3. Provjerite je li priključni kabel punjača baterije neoštećen te je li ispucao.

Čišćenje proizvoda, baterije i punjača baterije

1. Proizvod nakon upotrebe očistite suhom krpom.
2. Bateriju i punjač baterije čistite suhom krpom. Vodilice za bateriju održavajte čistima.
3. Prije umetanja baterije u punjač baterije ili proizvod provjerite jesu li čisti priključci baterije i punjača baterije.

Pregled i zamjena glave trimera

1. Provjerite je li glava trimera oštećena ili napukla.
2. Okrećite izlaznu osovinu dok se otvor na pogonskom disku ne poravnava s otvorom na kućištu mjenjača.
3. Umetnite kombinirani u otvor kako biste blokirali vratilo.
4. Okrenite glavu trimera u smjeru suprotnom od kazaljke na satu.

(Sl. 50)

5. Zamijenite glavu trimera.
6. Sastavite glavu trimera. Pogledajte *Sastavljanje glave trimera na stranici 218*.

Rješavanje problema

Korisničko sučelje

Problem	Moguće pogreške	Moguće rješenje
Zeleni LED indikator pokretanja treperi.	Nizak napon baterije.	Napunite bateriju.
Treperi crveni LED indikator pogreške.	Preopterećenje.	Rezni nastavak ne može se slobodno pomicati. Otpustite rezni nastavak.
	Odstupanje temperature.	Pričekajte na hlađenje proizvoda.
	Okidač paljenja i gumb za pokretanje pritisnuti su istovremeno.	Otpustite okidač paljenja i pritisnite gumb za pokretanje.
Zeleni i crveni LED indikator svijetle naizmjenično.	Baterija je prazna.	Napunite bateriju.
	Baterija je oštećena.	Obratite se servisnom zastupniku.

Punjač baterije

LED indikator na punjaču baterije	Uzrok	Rješenje
Zeleni LED indikator je uključen, a crveni LED indikator treperi.	Baterija nije pravilno postavljena u punjač baterije.	Uklonite bateriju iz punjača i ponovno je umetnite u punjač.
	Priključci baterije onečišćeni su.	Očistite priključke baterije.
	Temperatura okoline previsoka je ili je preniska.	Punjač baterije upotrebljavajte u rasponu temperature između 0 °C – 35 °C.
	Baterija je neispravna.	Zamijenite bateriju.
Zeleni LED indikator i crveni LED indikator isključeni su.	Punjač baterije nije pravilno priključen na mrežnu utičnicu.	Punjač baterije priključite na mrežnu utičnicu.
	Neispravna mrežna utičnica.	Priključite punjač baterije na napon i frekvenciju koji su navedeni na natpisnoj pločici.
	Kabel punjača baterije je neispravan.	Obratite se ovlaštenom serviseru.
	Punjač baterije je neispravan.	
Ostale pogreške.	Ako dođe od pogreške, obavezno isključite proizvod, izvadite bateriju i obratite se ovlaštenom servisnom agentu.	

Prijevoz, spremanje i zbrinjavanje

Prijevoz i skladištenje

- Isporučene litij-ionske baterije podliježu zahtjevima propisa o opasnim proizvodima.
- Pridržavajte se posebnih zahtjeva o pakiranju i označavanju u komercijalnom transportu, uključujući treće strane i prijevoznike.
- Prije slanja proizvoda obratite se osobi s posebnom obukom za opasni materijal. Pridržavajte se svih mjerodavnih nacionalnih propisa.
- Kada bateriju stavljate u pakiranje, otvorene kontakte prelijepite trakom. Učvrstite bateriju u pakiranju kako biste onemogućili pomicanje.
- Izvadite bateriju prilikom prijevoza ili skladištenja.
- Bateriju i punjač baterije spremite u suh prostor bez vlage i mraza.
- Bateriju nemojte spremiti u prostor u kojem može nastati statički elektricitet. Bateriju nemojte čuvati u metalnoj kutiji.
- Bateriju uskladištite na mjestu s temperaturom između -20 °C / -4 °F i 50 °C / 122 °F, zaštićenu od izravne sunčane svjetlosti.
- Punjač baterije uskladištite na mjestu s temperaturom između 5 °C / 41 °F i 45 °C / 113 °F te izvan izravnog sunčeva svjetla.
- Proizvod skladištite na mjestima s temperaturom između -40 °C/-40 °F i 60 °C/140 °F.

- Punjač baterije upotrebljavajte samo pri temperaturama okoline između 0 °C / 32 °F i 35 °C / 95 °F.
- Prije dugotrajnog skladištenja bateriju napunite na 30 % do 50 %.
- Punjač baterije uskladištite u zatvorenom i suhom prostoru.
- Tijekom skladištenja bateriju držite podalje od punjača baterije. Djeci i drugim neovlaštenim osobama onemogućite dodirivanje opreme. Opremu spremite u prostor koji možete zaključati.
- Prije dugotrajnog skladištenja proizvoda očistite ga i provedite cjeloviti servis.
- Na proizvod prije transporta i skladištenja postavite prijenosni štitičnik kako biste spriječili ozljede ili oštećenje proizvoda.
- Čvrsto pričvrstite proizvod tijekom transporta.
- Proizvod uskladištite u vodoravnom položaju ili ga obesite na priloženu kuku. Pogledajte *Postavljanje kuke na zid na stranici 219*.

(Sl. 51)

Zbrinjavanje baterije, punjača baterije i proizvoda

Simbol u nastavku označava proizvod koji se ne ubraja u kućanski otpad. Reciklirajte ga u reciklažnoj stanici za električnu i elektroničku opremu. Tako sprječavate oštećenje okoliša i ozljeđivanje osoba.

Više informacija zatražite od lokalnih vlasti, komunalne službe ili distributera.

(Sl. 18)

Napomena: Simbol se nalazi na proizvodu ili pakovanju proizvoda.

Tehnički podaci

Tehnički podaci

		Aspire T28-P4A
Motor		
Vrsta motora		Istosmjerni motor s permanentnim magnetom
Broj okretaja izlazne osovine, o/min		6800
Širina rezanja, mm		280
Težina		
Težina bez baterije, kg		2,6
Težina s baterijom (P4A 18-B45 / P4A 18-B70), kg		3,0 / 3,3
Emisije buke ³¹		
Razina jačine zvuka, mjerena u dB (A)		85
Razina jačine zvuka, zajamčena L _{WA} dB (A)		88
Razine buke ³²		
Ekvivalentna razina buke pri uhu rukovatelja, mjerena u skladu sa standardom EN ISO 50636-2-91, dB (A)		73
Razine vibracije ³³		
Razine vibracija na ručkama, izmjerene sukladno normi EN50636-2-91, m/s ²		2,26/1,61
Opremljeno glavom trimera (original), sprijeda/straga.		

Baterija	P4A 18-B45	P4A 18-B72
Vrsta	Litij-ionska	Litij-ionska
Kapacitet baterije, Ah	Pogledajte nazivnu naljepnicu baterije	Pogledajte nazivnu naljepnicu baterije
Nazivni napon, V	18.	18.

³¹ Emisije buke u okoliš izmjerene kao jačina zvuka (L_{WA}) u skladu s Direktivom EZ 2000/14/EC. Razlika između zajamčene i izmjerene razine zvuka jest da zajamčena razina uključuje i raspršenje rezultata mjerenja i varijacija između različitih proizvoda istog modela u skladu s Direktivom 2000/14/EZ.

³² Navedeni podaci za ekvivalentnu razinu tlaka zvuka za proizvod obuhvaćaju tipično statističko raspršenje (standardno odstupanje) od 3 dB (A).

³³ Podaci o razini vibracije pokazuju tipičnu statističku disperziju (standardnu devijaciju) od 1,5 m/s².

Baterija	P4A 18-B45	P4A 18-B72
Težina, kg	0,4	0,7

Punjač baterije	P4A 18-C70
Mrežni napon, V	220 – 240
Frekvencija, Hz	50 – 60
Snaga, W	70
Izlazni napon, V DC / Amperi, A	14,4 – 18 / 3

Dodaci

Odobrena dodatna oprema

Odobrena dodatna oprema	Vrsta	Štitnik za rezni nastavak, kat. br.
Glava trimera	A15B M5 (kabel od 1,6 mm Ø)	536 47 32-01

Izjava o sukladnosti

Izjava o sukladnosti za EU

Mi, **Husqvarna AB**, SE-561 82 Huskvarna, Švedska, tel.:
+46-36-146500, pod punom odgovornošću izjavljujemo
da proizvod:

Opis	Baterijski trimer za travu
Marka	Husqvarna
Vrsta/model	Aspire T28-P4A
Identifikacija	Serijski brojevi iz 2023 i noviji

u potpunosti su sukladni sljedećim EU direktivama i
propisima:

Direktiva/ propis	Opis
2006/42/EC	„o strojevima“
2014/30/EU	„koja se odnosi na elektromagnetsku kompatibilnost“
2000/14/EC	„koja se odnosi na emisije buke u okoliš“
2011/65/EU	„o ograničenoj upotrebi određenih opasnih tvari u električnoj i elektroničkoj opremi“

i primjenjuju se sljedeće norme i/ili tehničke
specifikacije: EN 60335-1:2012/A15:2021, EN
50636-2-91:2014, EN IEC 63000:2018, EN IEC
55014-1:2021; EN IEC 55014-2:2021.

Prijavljeno tijelo: 0158 DEKRA Testing and Certification
GmbH, Handwerkstraße 15, 70565 Stuttgart, Germany ,
certificiralo je sukladnost s Direktivom Vijeća
2000/14/EC, postupak kontrole kvalitete: Dodatak VI.

Informacije o emisiji buke potražite u *Tehnički podaci na
stranici 224*.

Huskvarna, 2023-12-14



Claes Losdal, menadžer odjela za istraživanje i razvoj,
Husqvarna AB

Osoba odgovorna za tehničku dokumentaciju



Licence

Autorsko pravo © 2012. – 2020., STMicroelectronics

Jamstvo ne pokriva kvarove koji su rezultat uobičajenog trošenja i habanja, nemara, zlouporabe, neovlaštenog popravka ili priključivanja usisnog aparata na neispravan napon.

Sva prava zadržana.

Redistribucija i upotreba u izvornim i binarnim oblicima, s ili bez izmjena, dopuštene su pod sljedećim uvjetima:

- Redistribucije izvornog koda moraju zadržati prethodnu obavijest o autorskim pravima, ovaj popis uvjeta i sljedeće odricanje od odgovornosti.
- Redistribucije u binarnom obliku u dokumentaciji i/ili drugim materijalima ustupljenima s distribucijom moraju sadržavati prethodnu obavijest o autorskim pravima, ovaj popis uvjeta i sljedeće odricanje od odgovornosti.
- Bez prethodnog posebnog pisanog odobrenja naziv STMicroelectronics ili nazive njihovih suradnika nije dopušteno upotrebljavati za podržavanje ili promoviranje proizvoda izvedenih iz ovog softvera.

OVAJ SOFTVER VLASNICI AUTORSKOG PRAVA I SURADNICI USTUPAJU „KAKAV JEST“ TE SE ODRICU SVIH IZRIČITIH ILI PREŠUTNIH JAMSTAVA, KOJA OBUHVAČAJU, ALI NISU OGRANIČENA NA PREŠUTNA JAMSTVA UTRŽIVOSTI I POGODNOSTI ZA ODREĐENU SVRHU. VLASNIK AUTORSKOG PRAVA ILI SURADNICI NI U KOJEM SLUČAJU NE SNOSE ODGOVORNOST ZA BILO KAKVE IZRAVNE, NEIZRAVNE, SLUČAJNE, PRIMJERNE ILI POSLJEDIČNE ŠTETE (UKLJUČUJUĆI, ALI NE OGRANIČAVAJUĆI SE NA NABAVU ZAMJENSKIH DOBARA ILI USLUGA; NEMOGUĆNOST UPOTREBE, GUBITAK PODATAKA I ZARADE; ILI PREKID POSLOVANJA), BEZ OBZIRA NA UZROK ILI BILO KOJU TEORIJU ODGOVORNOSTI, BILA ONA ZASNOVANA NA UGOVORU, STROGOJ OBVEZI ILI NEDOPUŠTENJOJ ŠTETNOJ RADNJI (UKLJUČUJUĆI NEMAR ILI SLIČNO), KOJA NA BILO KOJI NAČIN PROIZLAZI IZ UPOTREBE OVOG SOFTVERA, ČAK I AKO STE UPOZORENI NA MOGUĆNOST TAKVE ŠTETE.

Licenca za Apache 2.0

Autorsko pravo © 2009. –2019., Arm Limited. Sva prava zadržana.

Verzija 2.0, siječanj 2004., <http://www.apache.org/licenses/>

ODREDBE I UVJETI ZA UPOTREBU, REPRODUKCIJU I DISTRIBUCIJU

1. Definicije.

„Licenca“ su uvjeti i odredbe za upotrebu, reprodukciju i distribuciju definirani u odjeljcima 1 do 9 u ovom dokumentu. „Davatelj licence“ vlasnik je autorskog prava

ili tijelo s ovlaštenjem vlasnika koje ustupa Licencu.

„Pravno tijelo“ zajednica je izvršnih tijela i svih drugih tijela koja upravljaju, kojima upravljaju ili koja su pod zajedničkom kontrolom tog tijela. Za potrebe ove definicije, „kontrola“ je (i) moć, izravna ili neizravna, usmjeravanja ili upravljanja takvih tijelom, ugovorna ili ostvarena na drugi način ili (ii) vlasništvo pedeset posto (50 %) ili više dionica u optjecaju ili (iii) stvarno vlasništvo takvog tijela. „VI“ (ili „Vaš“) pojedinac je ili Pravno tijelo koje ostvaruje privilegije ustupljene ovom Licencom. „Izvorni“ oblik preferirani je oblik izmjenjivanja, koji obuhvaća, ali nije ograničen na izvorni kod softvera, izvor dokumentacije i konfiguracijske datoteke. „Objekt“ je bilo koji oblik nastao mehaničkom preobrazbom ili prijevodom Izvornog oblika, koji obuhvaća, ali nije ograničen na prevedeni kod objekta, izrađenu dokumentaciju te razmjene s drugim vrstama medija. „Djelo“ je autorsko djelo, u Izvornom obliku ili kao Objekt, izrađeno pod ovom Licencom, kako je navedeno u obavijesti o autorskom pravu izvršenom u djelo ili priloženom djelu (za primjer je ustupljen Dodatak u nastavku). „Izvedena djela“ svako su djelo, u Izvornom obliku ili kao Objekt, utemeljeno na Djelu (ili izvedeno iz njega), za koje uredničke recenzije, primjedbe, razrade ili druge izmjene, u cjelini, predstavljaju originalno autorsko djelo. Za potrebe ove Licence, Izvedeni radovi ne sadržavaju radove koji ostaju u zasebnom obliku ili se samo povezuju (ili su povezani nazivom) s njegovim sučeljem, Djelom i iz njega Izvedenim radovima.

„Doprinos“ je bilo koje autorsko djelo, uključujući izvornu verziju Djela i sve izmjene ili dodatke Djelu, ili iz njih Izvedena djela, koje je vlasnik autorskog prava, pojedinac ili Pravno tijelo ovlašteno za slanje u ime vlasnika autorskog prava namjerno poslao Davatelju licence radi izvrštenja u Djelo. Za potrebe ove definicije, s „poslano“ označava se svaki oblik elektroničke, verbalne ili pisane komunikacije poslana Davatelju licence ili njegovim predstavnicima, što obuhvaća, ali nije ograničeno na komunikaciju putem popisa elektroničke pošte, upravljačkih sustava Izvornog koda te sustava za praćenje problema, kojima upravlja ili kojima se upravlja u ime Davatelja licence, u svrhu raspravljanja o Djelu i njegovog poboljšanja, no bez komunikacije koju je vlasnik autorskog prava uočljivo označio ili drugim pisanim putem okarakterizirao kao „Nije doprinos“. „Suradnik“ je Davatelj licence i svaki pojedinac ili Pravno tijelo u čije je ime Davatelj licence primio Doprinos te ga potom uvrstio u Djelo.

2. Ustupanje licence za autorska prava.

Podložno uvjetima i odredbama iz ove Licence, svaki Suradnik ovim Vam ustupa trajnu, globalnu, neekskluzivnu, besplatnu, nenaplativu, neopozivu licencu za autorska prava za reprodukciju, pripremu Izvedenih djela, javno objavljivanje, javno izvođenje, podlicenciranje i distribuciju Djela i takvih Izvedenih djela u obliku Izvora ili Objekta.

3. Ustupanje licence za patent.

Podložno uvjetima i odredbama iz ove Licence, svaki Suradnik ovim Vam ustupa trajnu, globalnu, neekskluzivnu, besplatnu, nenaplativu, neopozivu (osim sukladno navedenom u ovom odjeljku) licencu za patent za izradu, zadavanje izrade, upotrebu, ponudu za prodaju, prodaju, uvoz i druge prijenose Djela, pri čemu se licenca primjenjuje samo na ona patentna potraživanja koje takav Suradnik može licencirati, a koja nužno povređuju sami njihovi Doprinosi ili kombinacija Doprinosa Djelu za koja su takvi Doprinosi poslani. Ako pokrenete patentnu parnicu protiv bilo kojeg tijela (uključujući međusobna potraživanja ili protutužbu u parnici) tvrdeći da Djelo ili Doprinos koji sadrži Djelo predstavlja izravnu ili doprinosnu povredu patenta, patentne licence koje su Vam Licencom ustupljene za to Djelo ukidaju se na datum pokretanja takve parnice.

4. Redistribucija.

Kopije Djela ili iz njega Izvedenih djela možete reproducirati i distribuirati na bilo kojem mediju, s ili bez izmjena te u Izvornom obliku ili kao Objekt, kada ispunjavate sljedeće uvjete:

- Svim drugim primateljima Djela ili Izvedenog djela morate predati kopiju ove Licence; i
- Sve izmijenjene datoteke moraju imati uočljive obavijesti o tome da ste ih promijenili; i, u Izvornom obliku svakog Izvedenog djela koje distribuirate, – morate zadržati sve obavijesti o autorskim pravima, patentima, robnim markama i dodjelama iz Izvornog oblika Djela, osim obavijesti koje se ne odnose na bilo koji dio Izvedenih djela; i
- Ako distribucija Djela obuhvaća tekstnu datoteku „OBAVIJEST“, sva Izvedena djela koje distribuirate moraju sadržavati čitljivu kopiju obavijesti o dodjeljivanju u takvoj datoteci OBAVIJEST, osim obavijesti koje se ne odnose na bilo koji dio Izvedenih djela, na barem jednoj od sljedećih lokacija: u tekstnoj datoteci OBAVIJEST koja se distribuira kao dio Izvedenih djela; u Izvornom obliku ili dokumentaciji, ako se prilaže Izvedenim djelima; ili u prikazu koji izrađuju Izvedena djela, ako i kada se prikazuju takve obavijesti trećih strana. Sadržaji datoteke OBAVIJEST samo su obavijesni i ne izmjenjuju Licencu. U Izvedena djela koja distribuirate možete dodati vlastite obavijesti o dodjeljivanju, uz OBAVIJEST iz Djela ili kao dodatak njenom tekstu, pod uvjetom da se takve dodatne obavijesti o dodjeljivanju mogu protumačiti kao izmjena Licence. Svojim izmjenama ili bilo kojim Izvedenim djelima u cjelini možete dodati vlastitu izjavu o autorskim pravima te zadati dodatne ili različite licencne uvjete i odredbe za upotrebu, reprodukciju ili distribuciju Vaših izmjena, pod uvjetom da su Vaša upotreba, reprodukcija i distribucija Djela inače u skladu s uvjetima propisanim ovom Licencom.

5. Slanje Doprinosa.

Osim ako izričito ne navedete drugačije, svaki Doprinos koji Davatelju licencu namjerno pošaljete za uključivanje u Djelo moraju ispunjavati uvjete i odredbe ove Licence, bez ikakvih dodatnih uvjeta i odredbi. Bez obzira na prethodno navedeno, ništa ovdje ne zamjenjuje ili izmjenjuje uvjete bilo kojeg zasebnog licencnog ugovora koji ste o takvim Doprinosima izvršili s Davateljem licence.

6. Zaštitni znakovi.

Ovom Licencom ne ustupa se dopuštenje za upotrebu trgovačkih naziva, zaštitnih znakova, servisnih znakova ili naziva proizvoda Davatelja licence, osim za potrebe razumne i uobičajene upotrebe u opisivanju porijekla Djela i reprodukciji datoteke OBAVIJEST.

7. Odricanje jamstva.

Osim kada to zahtjeva primjenjivi zakon ili uz pisanu suglasnost, Davatelj licence ustupa Djelo (a svaki Suradnik ustupa svoje doprinose) „KAKVO JEST“, BEZ IKAKVIH JAMSTAVA ILI UVJETA, izričitih ili prešutnih, uključujući, ali Ne ograničavajući se na bilo koje jamstvo ili uvjete za NAZIV, NEPOVREDIVOST, UTRŽIVOST ili PRIKLADNOST ZA POJEDINU SVRHU. Nosite isključivu odgovornost za utvrđivanje prikladnosti upotrebe i redistribucije Djela te preuzimate sve rizike povezane s Vašim korištenjem dopuštenja iz ove Licence. 8. Ograničenje od odgovornosti. Suradnik ni pod kojim uvjetima i ni po kojoj pravnoj teoriji, bilo zbog nedopuštene štetne radnje (uključujući nemar), po ugovoru ili na neki drugi način, osim ako to ne zahtjeva primjenjivi zakon (primjerice za namjerne i izrazito nemarne radnje) ili postoji pisani pristanak, prema Vama ne snosi odgovornost za štete, uključujući sve izravne, neizravne, posebne, slučajne ili posljedične štete bilo koje vrste, a koje su nastale kao rezultat Licence, upotrebom ili nemogućnošću upotrebe Djela (uključujući, ali ne ograničavajući se na štete zbog gubitka dobre volje, zastoja u radu, kvara ili neispravnosti računala te sve druge komercijalne gubitke ili štete), čak i ako je taj Suradnik bio upozoren na vjerojatnost takvih šteta.

9. Prihvaćanje jamstva ili dodatne odgovornosti.

Tijekom redistribucije Djela ili Izvedenih djela iz njega možete odabrati ponuditi prihvaćanje potpore, jamstvo, naknadu ili druge obvezujuće obveze i/ili prava sukladno s ovom Licencom te naplaćivati naknadu. Međutim, po prihvaćanju takvih obveza možete djelovati samo u vlastito ime i na vlastitu odgovornost, ne i u ime bilo kojeg drugog Suradnika, i samo ako pristanete na obeštećenje, zaštitu i osiguranje svakog drugog Suradnika od svake odgovornosti koje su se pojavile te svih zahtjeva koji su nametnuti takvom Suradniku zbog prihvaćanja bilo kojeg jamstva ili dodatne odgovornosti. ZAVRŠETAK UVJETA I ODREDBI

TARTALOMJEGYZÉK

Bevezető.....	229	Szállítás, tárolás és ártalmatlanítás.....	243
Biztonság.....	231	Műszaki adatok.....	243
Összeszerelés.....	238	Tartozékok.....	245
Üzemeltetés.....	238	Megfelelőségi nyilatkozat.....	246
Karbantartás.....	240	Licenc.....	247
Hibaelhárítás.....	242	Melléklet	507

Bevezető

Termékleírás

A Husqvarna Aspire T28-P4A egy elektromos motorral rendelkező, akkumulátoros szegélyvágó.

Folyamatosan dolgozunk azon, hogy javítani tudjuk az ügyfeleink használat közbeni biztonságát és hatékonyságát. További tájékoztatásért forduljon az illetékes szakszervizhez.

Rendeltetésszerű használat

A termék damilfejjel felszerelve fűvágásra használható. Ne használja a terméket fűnyírástól és fűritkítástól eltérő célokra.

A termék áttekintése

(ábra 1)

1. Damilfej
2. A vágófelszerelés védőburkolata
3. Növényvédő
4. Nyélbeállítás (teleszkóp)
5. Nyél
6. Hurokfogantyú
7. Karbantartási fedél
8. Hurokfogantyú állítógombja
9. Felhasználói felület
10. Figyelmeztetésjelző
11. Töltöttségi állapot jelzője
12. Be-/kikapcsoló gomb
13. Kapcsológomb
14. Kapcsológomb retesze
15. Akkumulátor (P4A 18-B45)
16. Akkumulátorkioldó gomb
17. Akkumulátor (P4A 18-B72)
18. Akkumulátortöltő (P4A 18-C70)
19. Csatlakozó
20. Bekapcsolás- és figyelmeztetésjelző
21. Kombinált kulcs
22. Fali kampó
23. Csavarok és tiplik a fali kampóhoz
24. Kezelői kézikönyv

Megjegyzés: A termék működtetésére nemzeti jogszabályok általi korlátozások vonatkozhatnak.

Gyors útmutató

Olvassa be a QR-kódot a termék használatával kapcsolatos tanácsokért.

(ábra 20)

A terméken található jelzések

(ábra 2)

FIGYELMEZTETÉS: A termék veszélyes lehet a kezelőre és másokra, valamint a súlyos sérüléseket és halálukat okozhatja. Körültekintően járjon el, és megfelelően használja a terméket.

(ábra 3)

Olvassa el figyelmesen a használati utasítást, és győződjön meg arról, hogy megértette azt, mielőtt a terméket használatba veszi.

(ábra 4)

Viseljen védőszemüveget.

(ábra 5)

Óvja a terméket az esőtől.

(ábra 6)

Az EU és az Egyesült Királyság irányelveinek és jogszabályainak, valamint New South Wales „Környezetben történő munkavégzés szabályozása (zajszabályozás), 2017” irányelvének megfelelő környezeti zajkibocsátási címke. A termék garantált hangteljesítményszintjére vonatkozó adatok megtalálhatók az alábbi részen: *Műszaki adatok243. oldalon.*

(ábra 7)

Karbantartás előtt válassza le az akkumulátort.

(ábra 8) A termék és a termék csomagolása nem minősül háztartási hulladéknak. Újrahasznosítását egy elektromos és elektronikus berendezések újrahasznosítására szolgáló ponton kell elvégezni.

(ábra 9) Ügyeljen az esetlegesen kirepülő tárgyakra.

(ábra 10) Ne használjon fémkést.

(ábra 11) Ez a termék megfelel a vonatkozó EU-irányelveknek.

(ábra 12) A termék megfelel a vonatkozó egyesült királyságbeli irányelveknek.

(ábra 13) Egyenáram.

(ábra 17) A gép és a közelben tartózkodók közötti távolságnak legalább 15 m-nek (50 láb) kell lennie.

ééééhhxxxxx A típustáblán vagy a lézernyomtatott jelölésen megtalálható a sorozatszám. éééé a gyártási év és hh pedig a gyártási hét.

(ábra 8) A termék és a termék csomagolása nem minősül háztartási hulladéknak. Újrahasznosítását egy elektromos és elektronikus berendezések újrahasznosítására szolgáló ponton kell elvégezni.

(ábra 9) Ügyeljen az esetlegesen kirepülő tárgyakra.

(ábra 10) Ne használjon fémkést.

(ábra 11) Ez a termék megfelel a vonatkozó EU-irányelveknek.

(ábra 13) Egyenáram.

(ábra 17) A gép és a közelben tartózkodók közötti távolságnak legalább 15 m-nek (50 láb) kell lennie.

ééééhhxxxxx A típustáblán vagy a lézernyomtatott jelölésen megtalálható a sorozatszám. éééé a gyártási év és hh pedig a gyártási hét.

Szimbólumok az akkumulátoron, illetve az akkumulátortöltőn

A terméken található jelzések

(ábra 2) FIGYELMEZTETÉS: A termék veszélyes lehet a kezelőre és másokra, valamint a súlyos sérüléseket és halálukat okozhatja. Körültekintően járjon el, és megfelelően használja a terméket.

(ábra 3) Olvassa el figyelmesen a használati utasítást, és győződjön meg arról, hogy megértette azt, mielőtt a terméket használatba veszi.

(ábra 4) Viseljen védőszemüveget.

(ábra 5) Óvja a terméket az esőtől.

(ábra 6) A környezeti zajkibocsátásra vonatkozó címke az EU-s (beleértve a New South Wales területén érvényes szabályozást) és az egyesült királyságbeli irányelveknek és szabályozásoknak megfelelően. A zajszennyezésre vonatkozó adatok a gép címkéjén és a Műszaki adatok című fejezetben találhatóak.

(ábra 7) Karbantartás előtt válassza le az akkumulátort.

(ábra 18) A termék újrahasznosítását elektromos és elektronikus berendezések újrahasznosítására szolgáló ponton kell elvégezni. (Kizárólag Európára vonatkozik)

(ábra 19) Az akkumulátort csak a POWER FOR ALL rendszer partnereinek termékeiben használja.

(ábra 14) Meghibásodásbiztos transzformátor.

(ábra 15) Az akkumulátortöltőt kizárólag beltérben szabad használni és tárolni.

(ábra 16) Kettős szigetelés.

A termék károsodása

A termékben keletkezett károkért nem vállalunk felelősséget, amennyiben:

- a termék javítását helytelenül végezték;

- a termék javítása nem a gyártótól származó vagy általa jóváhagyott alkatrészekkel történt;
- a terméket nem a gyártótól származó vagy általa jóváhagyott kiegészítővel szerelték fel;
- a termék javítását nem hivatalos szakszerviz vagy jóváhagyott egyéb szerviz végezte.

Gyártó

Husqvarna AB

SE-561 82, Huskvarna, Sweden

Biztonság

Biztonsági meghatározások

A figyelmeztetések, óvintézkedések és megjegyzések a használati utasítás kiemelten fontos részeire hívják fel a figyelmet.



FIGYELMEZTETÉS: Akkor használatos, ha a kézikönyv utasításainak be nem tartása esetén fennáll a kezelő vagy a közelben tartózkodók sérülésének vagy halálának veszélye.



VIGYÁZAT: Akkor használatos, ha a kézikönyv utasításainak be nem tartása esetén fennáll a vagyoni kár, illetve a termék vagy a környező terület károsodásának veszélye.

Megjegyzés: További információt biztosít az adott helyzetben szükséges tennivalóról.

A motoros szerszámmal kapcsolatos általános biztonsági figyelmeztetések



FIGYELMEZTETÉS: Olvassa el az összes biztonsági figyelmeztetést és az összes utasítást. A figyelmeztetések és az utasítások figyelmen kívül hagyása áramütést, tüzet és/vagy komoly sérülést okozhat.

Megjegyzés: Tegyen el minden figyelmeztetést és utasítást, mert a jövőben szüksége lehet rájuk. A „motoros szerszám” kifejezés a figyelmeztetésekben a hálózatról működő (vezetékes) motoros szerszámra vagy az akkumulátorról működő (vezeték nélküli) motoros szerszámra vonatkozik.

Indítás előtti ellenőrzés

- Mindig vegye ki az akkumulátort annak biztosítására, hogy a termék ne indulhasson be véletlenül. Karbantartás előtt mindig vegye ki az akkumulátort a termékből.
- A termék használata előtt, illetve ütközés után ellenőrizze, hogy nem láthatók-e a terméken kopás vagy sérülés nyomai, és szükség esetén gondoskodjon a javításról.

- Ellenőrizze a munkaterületet. Távolítsa el minden mozdítható tárgyat, pl. köveket, üvegcserepeket, szögeket, fémdrótokat, zsinegeket, stb., amelyeket a vágófej vagy a vágófelszerelés felkaphat, vagy amelyek esetleg a felszerelésre csavarodhatnak.
- Ellenőrizze, nem piszkos-e a motor, és nincs-e rajta repedés. Kefével tisztítsa meg a motort a fűtől és levelektől. Ha szükséges, viseljen kesztyűt.
- Ellenőrizze, teljesen fel van-e helyezve a damilfej a fűszegélynyíróra.
- Ellenőrizze, hogy a termék teljes mértékben működőképes állapotban van-e. Ellenőrizze, hogy az anyák és csavarok szorosan meg vannak-e húzva.
- Ellenőrizze, hogy a damilfej és a damilfej-védőburkolat sértetlen-e, és hogy nincsenek-e rajtuk repedések. Cserélje ki a damilfejet és a damilfej-védőburkolatot, ha azok ütésnek lettek kitéve, vagy ha repedések vannak rajtuk. Mindig a vágófelszereléshez javasolt pengevédőt használja. Lásd a Műszaki adatok című fejezetet.
- A termék kezelője ügyeljen arra, hogy a munka során se ember, se állat ne jöjjön 15 m-nél közelebb. Ha ugyanazon a munkaterületen többen is dolgoznak, a biztonsági távolságnak legalább 15 méternek kell lennie.
- Használat előtt végezzen általános ellenőrzést a terméken. Lásd a karbantartási ütemezést.
- A használatot nemzeti vagy helyi előírások szabályozhatják. Tartsa be a vonatkozó előírásokat.

A munkaterület biztonsága

- **Tartsa a munkaterületet tisztán és világítsa meg jól.** A zsúfolt vagy sötét területeken könnyen bekövetkeznek balesetek.
- **Ne működtesse a motoros szerszámot robbanásveszélyes környezetben, pl. gyúlékony folyadékok, gázok vagy por jelenlétében.** A motoros szerszám szikrát vethet, amely begyűjthetja a port vagy a kipárolgást.
- **Tartsa távol a gyermekeket és a szemlélődőket a motoros szerszám működtetése közben.** A figyelem elvonása miatt elvesztheti az uralmát a szerszám felett.

Elektromos biztonság

- **A motoros szerszám dugaszának illeszkednie kell az aljzatba. A dugón soha semmilyen átalakítást ne végezzen. Ne használjon adapter dugaszt a földelt motoros szerszámokhoz.** Kisebb az áramütés

veszélye, ha eredeti dugókat és hozzájuk illő aljzatokat használ.

- **Kerülje el a földelt felületekkel, pl. csövekkel, radiátorokkal, tűzhelyekkel és hűtőszekrényekkel való érintkezést.** Megnövekszik az áramütés veszélye, ha a teste le van földelve.
- **Ne tegye ki a motoros szerszámot esőnek, és ne tartsa azt nedves környezetben.** A gépbe jutó víz növeli az áramütés kockázatát.
- **Ne bányon durván a kábellel. Soha ne használja a kábelt a motoros szerszám hordozására, húzására vagy a dugasz kihúzására. Tartsa távol a kábelt hőtől, olajtól, éles széléktől vagy mozgó alkatrészekről.** A sérült vagy összegabalyodott kábelek megnövelik az áramütés kockázatát.
- **Ha kültéren használja a motoros szerszámot, használjon kültéri használatra megfelelő hosszabbítókábelt.** A kültéri alkalmazáshoz megfelelő hosszabbító használata csökkenti az áramütés veszélyét.
- **Ha a szerszámgépet feltétlenül nedves helyen kell használni, alkalmazzon életvédelmi relével (RCD) védett tápellátást.** Az RCD használatával csökkenthető az áramütés kockázata.

Személyes biztonság

- **Legyen elővigyázatos, figyeljen arra, amit csinál, és használja a józan eszt a motoros szerszám működtetése során. Ne használja a motoros szerszámot, ha fáradt, vagy ha gyógyszer, gyógykezelés vagy alkohol hatása alatt áll.** A szerszám működése közben egy pillanatnyi figyelemkiesés súlyos személyi sérülést okozhat.
- **Használjon személyi védőfelszerelést. Mindig használjon szemvédőt.** A megfelelő környezetben a védőfelszerelések, például a pormaszk, a csúszásgátló védőcipő, a kemény fejtű és a fülvédő használata csökkenti a személyi sérülések kockázatát.
- **Akadályozza meg a véletlen indítást. Ellenőrizze, hogy a főkapcsoló kikapcsoló állásban van-e, mielőtt csatlakoztatja az áramforrást és/vagy az akkumulátort, illetve felveszi vagy szállítja a szerszámot.** Az ujjá kapcsolón tartásával vagy a bekapcsolt motoros szerszám áram alá helyezésével balesetet okozhat.
- **Távolítson el minden beállító kulcsot vagy csavarkulcsot, mielőtt bekapcsolná a motoros szerszámot.** A motoros szerszám forgó alkatrészéhez csatlakozó kulcs vagy más szerszám személyi sérülést okozhat.
- **Ne nyúljon át a gépen. Mindig szilárdan álljon a talajon, és őrizze meg az egyensúlyát.** Így jobban uralhatja a motoros szerszámot váratlan helyzetekben.
- **Öltözködjön megfelelően. Ne viseljen ékszereket, rövidnadrágot, szandált, illetve ne legyen meztelen. Tartsa távol a haját és ruházatát a mozgó alkatrészekről.** A mozgó alkatrészek bekapathatják a laza ruhát, az ékszert vagy a hosszú haját.

- **Ha a készülékhez csatlakoztatható porgyűjtő berendezés, akkor mindig csatlakoztassa és használja azt.** A porgyűjtő alkalmazása csökkenti a porral kapcsolatos veszélyeket.
- **A szerszámok rendszeres használatából adódó tapasztalata ne vezessen oda, hogy a terméket könnyelműen, a szerszám biztonság alapelvek figyelmen kívül hagyásával működteti.** Egy gondatlanul kivitelezett művelet akár egy századmásodperc alatt is súlyos sérüléshez vezethet.
- A szerszámgép használata során kibocsátott rezgések értéke a használat módjától függően eltérhet a deklarált teljes értéktől. A kezelőknek meg kell határozniuk a biztonsági intézkedéseket önmaguk védelme érdekében az adott használati körülmények közötti becsült kitétség alapján (figyelembe véve az üzemi ciklus minden részét, tehát azt is, amikor a szerszám ki van kapcsolva, illetve amikor üresjárásban működik).

A motoros szerszám használata és karbantartása

- **Ne erőltesse a motoros szerszámot. Használjon a feladathoz megfelelő motoros szerszámot.** A megfelelő szerszámgép jobb és biztonságosabb munkát fog végezni azon a sebességen, amire tervezték.
- **Ne használja a motoros szerszámot, ha a kapcsoló nem kapcsolja ki vagy be.** A kapcsolóval nem vezérelhető szerszámgépek veszélyesek és javítandók.
- **Húzza ki a dugaszt az áramforrásból és/vagy vegye ki az akkumulátort (amennyiben kivehető), ha bármilyen beállítást végez, kicseréli egy tartozékot vagy tárolja a motoros szerszámot.** Az ilyen megelőző biztonsági intézkedések csökkentik a motoros szerszám véletlen elindításának veszélyét.
- **A nem használt motoros szerszámot tartsa távol a gyermekektől, és ne engedje, hogy olyan személyek működtessék, akik nem ismerik a motoros szerszámot és ezeket az utasításokat.** A motoros szerszámok képzetlen felhasználók kezében veszélyt jelentenek.
- **Végezze el a szerszámgépek és tartozékok karbantartását. Ellenőrizze a mozgó alkatrészek hibás elhelyezkedését és rögzítését, az alkatrészek sérülését, és minden olyan állapotot, amely hatással lehet a szerszám működésére. Ha sérült, javíttassa meg a motoros szerszámot használat előtt.** A rosszul karbantartott motoros szerszámok rengeteg balesetet okoznak.
- **Tartsa élesen és tisztán a vágószerszámokat.** A megfelelően karbantartott, éles vágószerszámok kevésbé hajlamosak a beszorulásra, és könnyebb kezelni őket.
- **A szerszámot, a tartozékokat és az alkatrészeket stb. ezen utasításokkal összhangban használja, vegye figyelembe a munkakörülményeket és az elvégzendő feladatot.** Ha a szerszámgépet másféle

tevékenységre használják, mint amire tervezték, veszélyes helyzet állhat elő.

- **A fogantyúkat és fogófelületeket tartsa szárazon, tisztán, olaj- és zsírmentesen.** A csúszós fogantyúk és fogófelületek nem teszik lehetővé a szerszám biztonságos kezelését és irányítását váratlan helyzetekben.

Az akkumulátor használata és karbantartása

- **Csak a gyártó által meghatározott töltővel töltsse.** Az a töltő, amelyik az egyik típusú akkumulátorhoz használható, tűzveszélyes lehet, ha másik típusú akkumulátorral használják.
- **A termékeket csak a típusuknak megfelelő akkumulátorokkal használja.** Bármilyen más típusú akkumulátor használata sérülés- és tűzveszélyes.
- **Amikor az akkumulátort nem használja, tartsa távol más fémtárgyaktól, például gémkapcsoktól, érméktől, kulcsoktól, tűktől, csavaroktól vagy más kisebb fémtárgyaktól, amelyek összekapcsolhatják a sarukat.** Az akkumulátorsaruk rövidre zárása égést vagy tüzet okozhat.
- **Nem megfelelő körülmények hatására az akkumulátorból folyadék szivároghat ki. Kerülje az érintkezést. Ha ez véletlenül mégis megtörténik, öblítse le vízzel. Ha a folyadék szembe kerül, forduljon orvoshoz.** Az akkumulátorból távozó folyadék irritációt vagy égési sérülést okozhat.
- **Ne használjon sérült vagy módosított akkumulátort vagy szerszámot.** A sérült vagy módosított akkumulátorok kiszámíthatatlanul viselkedhetnek, ami tüzet, robbanást vagy sérülést okozhat.
- **Az akkumulátort vagy szerszámot ne tegye ki tűznek vagy túl magas hőmérsékletnek.** A tűznek való kitettség, illetve a 130 °C/265 °F feletti hőmérséklet robbanást okozhat.
- **Kövesse a töltésre vonatkozó utasításokat, és ne töltsse az akkumulátort vagy a szerszámot az utasításokban megadott hőmérséklet-tartományon kívül.** A nem megfelelő, illetve a megadott tartományon kívül eső hőmérsékleten való töltés károsíthatja az akkumulátort és növeli a tűzveszélyt.

Szervizelés

- **A motoros szerszám szervizelését képzett szerelővel végeztesse el, aki kizárólag eredeti cserealkatrészeket használ.** Így fenntartható a motoros szerszám biztonsága.
- **Soha ne szervizelje a sérült akkumulátort.** Az akkumulátor szervizelését csak a gyártó vagy egy hivatalos szolgáltató végezheti el.

Mindig próbáljon előrelátóan gondolkodni.

Lehetetlen az összes elképzelhető helyzetet ismertetni. Mindig megfontoltan és előrelátóan tevékenykedjen. Kerülje az olyan helyzeteket, amelyek saját megítélése szerint meghaladják a képességeit. Ha a jelen kézikönyv elolvasása után is bizonytalannak érzi magát az üzemeltetési eljárásokkal kapcsolatban, a folytatás előtt kérje ki egy szakértő véleményét.



FIGYELMEZTETÉS: Soha ne engedje, hogy gyermekek használják a gépet, vagy a gép közelében tartózkodjanak. Mivel a gép könnyen indul, szigorú felügyelet nélkül a gyermekek könnyen beindíthatják. Ez súlyos személyi sérüléshez vezethet. Ezért mindig válassza le az akkumulátort, ha nem tud folyamatosan felügyelni a gépre.

Általános biztonsági utasítások



FIGYELMEZTETÉS: A termék használata előtt olvassa el az alábbi figyelmeztetéseket.

- Vegye ki az akkumulátort annak biztosítására, hogy a termék ne indulhasson be véletlenül.
- Ez a termék veszélyes szerszám, ha nem körültekintően járnak el a használat során, vagy nem megfelelőképpen használják. A gép a kezelő és mások súlyos sérülését és halálát is okozhatja.
- Ne használja a terméket, ha megváltozott az eredeti specifikációja. Ne cseréljen a terméken alkatrészt a gyártó jóváhagyása nélkül. Csak a gyártó által jóváhagyott alkatrészeket használjon. A nem megfelelő karbantartás súlyos, akár végzetes sérüléssel is járhat.
- Használat előtt ellenőrizze a terméket. Lásd: *Indítás előtti ellenőrzés* 231. oldalon és *A termék működtetése előtt* 238. oldalon. Ne használja a sérült vagy nem megfelelően működő terméket. Végezze el a jelen használati utasításban előírt ellenőrzési, karbantartási és szervizmunkákat.
- Biztosítsa, hogy gyermekek ne játsszanak a termékkel. Soha ne engedje, hogy gyermek vagy a termék használatában nem jártas személy használja vagy szervizelje a terméket, illetve az akkumulátort. A helyi törvények szabályozhatják a kezelő korát.
- Tartsa a terméket zárható helyen, ahol gyermek vagy jogosulatlan személy nem férhet hozzá.
- A termék gyermekektől elzárva tartandó.
- A termék eredeti kivitelezésén a gyártó cég engedélye nélkül semmilyen módosítást sem szabad végezni. Mindig eredeti tartozékokat használjon. A nem engedélyezett módosítások és/vagy pótalkatrészek komoly sérülésekhez, illetve akár a kezelő vagy más személyek halálához is vezethetnek.

Megjegyzés: A használatot országos vagy helyi törvények szabályozhatják. Tartsa be a vonatkozó előírásokat.

Biztonsági utasítások az üzemeltetéshez



FIGYELMEZTETÉS: A termék használata előtt olvassa el az alábbi figyelmeztetéseket.

- **Rossz időjárási körülmények között – főleg villámlás veszélye esetén – ne használja a gépet.** Ez csökkenti a villámcsapás veszélyét.
- **Alaposan vizsgálja meg vadvilág szempontjából azt a területet, ahol a gépet használni kívánja.** A vadon élő állatok megsérülhetnek a gép működése közben.
- **Alaposan vizsgálja át a területet, ahol a gépet használni kívánja, és távolítsa el minden követ, botot, drótot, csontot és egyéb idegen tárgyat.** A felcsapódó tárgyak súlyos személyi sérülést okozhatnak.
- **A gép használata előtt mindig ellenőrizze szemrevételezéssel, hogy a vágófej és a vágószerkezet nem sérült-e meg.** A sérült alkatrészek növelik a sérülésveszélyt.
- **Tartsa a védőburkolatokat a helyükön. A védőburkolatoknak működőképesnek kell lenniük, és megfelelően kell felszerelni őket.** A meglazult, sérült vagy nem megfelelően funkcionáló védőburkolat személyi sérülést okozhat.
- **Minden hűtőlevegő bemeneti nyílást tartson tömrelékektől mentesen.** Az eltömődött levegőbemeneti nyílások és a tömrelék túlmelegedést vagy tűzveszélyt okozhatnak.
- **Viseljen szem- és fülvédő felszerelést.** A megfelelő védőfelszerelés csökkenti a személyi sérülések kockázatát.
- **A gép működtetése közben mindig viseljen csúszásmentes munkavédelmi lábbelit. Ne használja a gépet mezítláb vagy nyitott szandálban.** Ez csökkenti a mozgó vágófejjel való érintkezés miatti lábsérülés kockázatát.
- **A gép működtetése közben mindig viseljen olyan ruházatot, például nadrágot, amely takarja a kezelő lábát.** A mozgó vágófejjel vagy damillal való érintkezés sérülést okozhat.
- **A gép működtetése közben tartsa távol a járókelőket.** A kirepülő hulladékok súlyos személyi sérülést okozhat.
- **Ne működtesse a gépet derékmagasság felett.** Így megakadályozhatja, hogy a vágófej véletlenül hozzáérjen valamihez, és váratlan helyzetben megőrizheti uralmát a gép felett.
- **Legyen óvatos, amikor a gépet nedves fűvön üzemelteti. Sétáljon, soha ne fusson.** Ez csökkenti az esetleges személyi sérüléshez vezető elcsúszás vagy elesés kockázatát.
- **Ne üzemeltesse a gépet túlságosan meredek lejtőkön.** Ez csökkenti az esetleges személyi sérüléshez vezető irányításvesztés, elcsúszás vagy elesés kockázatát.

- **Ha lejtőn dolgozik, mindig ügyeljen arra, hogy stabilan áll, mindig a lejtőn keresztben dolgozzon, soha ne felfelé vagy lefelé, és irányváltáskor legyen rendkívül óvatos.** Ez csökkenti az esetleges személyi sérüléshez vezető irányításvesztés, elcsúszás vagy elesés kockázatát.
- **A táp- és egyéb kábeleket tartsa távol a vágási területtől.** Előfordulhat, hogy a sövényektől és bokroktól nem látja a táp- és egyéb kábeleket, így véletlenül elvághatja vagy megsértheti azokat a damillal vagy vágófejjel.
- **Minden testrészét tartsa távol a vágófej késétől vagy a damiltól. Ne távolítsa el anyagot a gépből, amíg az nincs leválasztva az áramforrásról.** A mozgó vágófej vagy damil súlyos személyi sérülést okozhat.
- **A gépet kikapcsolt állapotban, a testétől távol tartva hordozza.** A gép megfelelő kezelése csökkenti annak valószínűségét, hogy véletlenül érintkezzen a mozgó vágófejjel vagy damillal.
- **Csak a gyártó által meghatározott csere vágófejeket és késeket vagy damilokat használjon. Ne cserélje a vágófejet vagy damilt fémhuzalra vagy fémkésre.** A nem megfelelő cserealkatrészek irányításvesztést, törést és sérülést okozhatnak.

Személyi védőfelszerelés



FIGYELMEZTETÉS: A termék használata előtt olvassa el az alábbi figyelmeztetéseket.

- A termék használata során viseljen jóváhagyott személyi védőfelszerelést. A személyi védőfelszerelés nem küszöböli ki teljes mértékben a sérülés kockázatát, de csökkenti a sérülés mértékét, ha bekövetkezik a baleset. A megfelelő felszerelés kiválasztásában kérje a kereskedő segítségét.
 - Használjon jóváhagyott fülvédőt.
- (ábra 21)
- Használjon jóváhagyott védőszemüveget. Ha arcvédőt használ, jóváhagyott védőszemüveget is kell viselnie. Jóváhagyott védőszemüvegek azok, amelyek megfelelnek az ANSI Z87.1 (USA), illetve EN 166 (EU-országok) szabványoknak.
- (ábra 22)
- Ha szükséges, viseljen kesztyűt – például a vágószerkezet felhelyezésekor, ellenőrzésekor vagy tisztításakor.
- (ábra 23)
- Használjon acéllemezes lábujjvédővel és csúszásgátló talppal ellátott védőbakancsot.
- (ábra 24)
- Viseljen sűrű szövésű anyagból készült ruházatot. Vastag, hosszú nadrágot és hosszú ujjú felsőrészt viseljen. Ne viseljen bő ruházatot, mert az beakadhat a gallyakba és a bokrok ágaiba. Ne viseljen ékszereket, rövidnadrágot vagy szandált. Ne legyen mezítláb. Igazítsa haját vállmagasság fölé.

- Tartsa kéznél az elsősegélykészletet.

(ábra 25)

Biztonsági eszközök a terméken



FIGYELMEZTETÉS: A termék használata előtt olvassa el az alábbi figyelmeztetéseket.

Ez a fejezet a termék biztonsági funkcióit és rendeltetését, valamint a megfelelő üzemelést biztosító ellenőrzések és karbantartási műveletek elvégzésének módját ismerteti. Tekintse át a fejléc alatt szereplő utasításokat, *Bevezető229. oldalon* hogy megtudja, hol található ez az alkatrészek a terméken.

A termék élettartama lecsökkenhet, a balesetveszély pedig megnövekedhet, ha a termék karbantartását nem megfelelően hajtják végre, illetve ha a szervizt és/vagy a javításokat nem szakszerűen végzik. Ha további információra van szüksége, vegye fel a kapcsolatot a legközelebbi szervizszolgálatával.



FIGYELMEZTETÉS: Soha ne használja a terméket sérült biztonsági felszerelésekkel. A termék biztonsági felszerelésének ellenőrzését és a karbantartási munkálatokat a jelen fejezetben leírtak szerint kell elvégezni. Ha az Ön terméke nem felel meg az alábbi vizsgálatok valamelyikénél, forduljon szervizműhelyéhez.



VIGYÁZAT: A gép szervizeléséhez és javításához speciális szakmai kiképzésre van szükség. Ez különösen érvényes a gép biztonsági felszeréseire. Ha az Ön gépe nem felel meg az alábbi vizsgálatok valamelyikénél, akkor forduljon szervizműhelyéhez. Bármely termékünk megvásárlásakor garantáljuk a szakképzett javítást és szervizelést. Ha a gépet nem szervizműhellyel rendelkező szakkereskedőtől vásárolta, akkor kérje el tőle a legközelebbi szervizműhely címét.

A felhasználói felület ellenőrzése

A zöld LED-ek (A) mutatják az akkumulátor állapotát, ha a készülék be van kapcsolva, de nincs használatban.

1. Nyomja meg és tartsa lenyomva a be-/kikapcsoló gombot (B). (ábra 26)
 - a) Ha a zöld LED-ek (A) világítanak, a termék be van kapcsolva.
 - b) Ha a zöld LED-ek (A) nem világítanak, a termék ki van kapcsolva.
2. Lásd: *Hibaelhárítás242. oldalon* ha a figyelmeztetésjelző (C) világít vagy villog.

A kapcsológomb reteszének ellenőrzése

A kapcsológomb retesze megakadályozza a véletlen beindítást. A kapcsológomb reteszének (A) megnyomásakor a kapcsológomb (B) kioldódik. Amikor elengedi a fogantyút, a kapcsológomb és annak retesze visszaáll az eredeti helyzetébe. (ábra 27)

1. Ellenőrizze, hogy reteszelt-e a kapcsológomb, amikor a retesze az eredeti helyzetében van.

(ábra 28)

2. Nyomja le a kapcsológombot, és győződjön meg arról, hogy az elengedése után visszatér-e az eredeti helyzetébe.

(ábra 29)

3. Győződjön meg arról, hogy a kapcsológomb és a kapcsológomb retesze akadálymentesen mozog-e, valamint hogy a visszatérítő rugó megfelelően működik-e.

(ábra 30)

4. Indítsa be a terméket. Lásd: *A termék elindítása240. oldalon*.
5. Engedje el a bekapcsológombot, és győződjön meg róla, hogy a vágófelszerelés leállt-e.

A vágófelszerelés védőburkolatának ellenőrzése



FIGYELMEZTETÉS: Ne használja a vágófelszerelést jóváhagyott és megfelelően felhelyezett védőburkolat nélkül. Mindig az éppen használt vágófelszereléshez ajánlott védőburkolatot használja, lásd: *Műszaki adatok243. oldalon*. A nem megfelelő vagy meghibásodott védőburkolat használata komoly személyi sérülést idézhet elő.

A vágófelszerelés védőburkolata megállítja a kezelő irányába repülő tárgyakat. A vágófelszerelés védőburkolata emellett megvéd a sérülésektől a vágófelszerelés megérintése esetén is.

1. Állítsa le a motort.
2. Keressen sérüléseket, például repedéseket.
3. Ha a vágófelszerelés védőburkolata sérült, cserélje ki.

Vágófelszerelés

Ügyeljen a megfelelő vágószerkezet kiválasztására, és végezze el a vágószerkezet karbantartását a következők érdekében:

- A vágási teljesítmény maximalizálása.

- A vágószerkezet élettartamának növelése.



FIGYELMEZTETÉS: A vágófelszerelést kizárólag az általunk ajánlott védelemmel használja. Lásd: *Műszaki adatok 243. oldalán*. A helyes zsinóradozóláshoz és megfelelő zsinórátmérő kiválasztásához lásd a vágófelszerelésre vonatkozó utasításokat.



FIGYELMEZTETÉS: A hibás vágófelszerelés használata növelheti a balesetveszélyt.

Damilfej



FIGYELMEZTETÉS: Az egészségre ártalmas rezgések elkerülése érdekében ügyeljen arra, hogy a zsinór legyen mindig szorosan és egyenletesen a dobra tekerve.

(ábra 31)

- Csak a javasolt damilfejeket és zsinórokat használja.
- Csak a javasolt vágófelszereléseket használja.
- Kisebb géphez általában kisebb damilfej szükséges, és fordítva.
- A zsinór hossza ugyancsak lényeges. A hosszabb zsinór nagyobb teljesítményű motort igényel, mint az ugyanolyan keresztmetszetű rövidebb zsinór.
- A szegélynyíró védőburkolatán lévő késnek épnek kell lennie. A kés a zsinór megfelelő méretűre történő vágására szolgál.
- A zsinór élettartamának növelése érdekében használat előtt áztassa vízbe néhány napra.

Az akkumulátorral kapcsolatos biztonsági előírások



FIGYELMEZTETÉS: Olvassa el az összes biztonsági és általános utasítást. A biztonsági és általános utasítások figyelmen kívül hagyása áramütést, tüzet és/vagy komoly sérülést okozhat. **Őrizze meg az összes biztonsági információt és általános utasítást a későbbi használatra.**

- Ezek a biztonsági utasítások csak a POWER FOR ALL rendszer 18 V-os Li-ion akkumulátoraira vonatkoznak.
- Az újratölthető akkumulátort csak a POWER FOR ALL rendszer partnereinek termékeiben használja. Az olyan 18 V-os akkumulátorok, amelyeken a POWER FOR ALL felirat szerepel, teljes mértékben kompatibilisek a következő termékekkel:
 - A 18 V-os POWER FOR ALL akkumulátorrendszer minden terméke.

– A POWER FOR ALL rendszer partnereinek összes 18 V-os terméke.

- **Tartsa be a termék használati utasításában található, akkumulátorra vonatkozó ajánlásokat.** Az akkumulátor és a termék csak így üzemeltethető veszély nélkül, és az akkumulátorok így védhetők meg a veszélyes túlterheléstől.
- **Az akkumulátorokat csak a gyártó vagy a POWER FOR ALL rendszer partnerei által ajánlott töltőkkel töltsse.** Az egyik akkumulátortípushoz megfelelő töltő tűzveszélyes lehet, ha egy másik akkumulátortípussal használja.
- **Az akkumulátort részben feltöltve szállíttjuk.** Az akkumulátor teljes kapacitásának biztosításához a szerszámgép első használatba vétele előtt teljesen töltsse fel az akkumulátort a töltővel.
- **Az akkumulátor gyermekektől elzárva tartandó.**
- **Ne nyissa fel az akkumulátort.** Fennáll a rövidzárlat veszélye.
- **Az akkumulátor sérülése és helytelen használata esetén gőzök szabadulhatnak fel. Az akkumulátor kigyulladhat vagy felrobbanhat.** Gondoskodjon a terület jó szellőzéséről, és forduljon orvoshoz, ha bármilyen káros hatást tapasztal. A gőzök irritálhatják a légzőszerveket.
- **Nem megfelelő használat vagy az akkumulátor sérülése esetén az akkumulátorból gyúlékony folyadék kerülhet ki. Az ilyen folyadékkal való érintkezést kerülni kell. Ha ez véletlenül mégis megtörténik, öblítse le vízzel. Ha a folyadék a szemébe kerül, forduljon orvoshoz.** Az akkumulátorból távozó folyadék irritációt vagy égési sérülést okozhat.
- **Ha az akkumulátor megsérül, folyadékot lövellhet ki, ami elboríthatja a közeli felületeket. Ellenőrizze az érintett alkatrészeket.** Tisztítsa meg ezeket az alkatrészeket, vagy szükség esetén cserélje ki őket.
- **Ne zárja rövidre az akkumulátort.** Amikor az akkumulátort nem használja, tartsa távol más fémtárgyaktól, például gémkapcsoktól, érméktől, kulcsoktól, tűktől, csavaroktól vagy más kisebb fémtárgyaktól, amelyek összekapcsolhatják a sarukat. Az akkumulátorsaruk rövidre zárása égést vagy tüzet okozhat.
- **Az akkumulátort hegyes tárgyak, például szög vagy csavarhúzó, illetve kívülről ható erő is károsíthatja.** Belső rövidzárlat léphet fel, ami az akkumulátor égését, füstölését, robbanását vagy túlmelegedését okozhatja.
- **Soha ne szervelje a sérült akkumulátort.** Az akkumulátor szervizelését csak a gyártó vagy egy hivatalos szolgáltató végezheti el.
- **Védje az akkumulátort a hőtől, pl. a folyamatos intenzív napsugárzástól, tűztől, szennyeződéstől, víztől és nedvességtől.** Robbanás és rövidzárlat veszélye áll fenn.
- **Az akkumulátort csak -5 °C — 40 °C közötti környezeti hőmérséklet mellett használja a termékben.**

- **Az akkumulátort csak -20 °C — 50 °C közötti környezeti hőmérsékleten tárolja.** Ne hagyja például nyáron az akkumulátort az autóban. 0 °C alatti hőmérséklet esetén egyes készülékek teljesítménye csökkenhet.
- **Csak 0 °C — 35 °C környezeti hőmérsékleten töltsé az akkumulátort.** Az ezen hőmérséklet-tartományon kívüli töltés növelheti az akkumulátor károsodásának kockázatát, és tűzveszélyt jelenthet.

Az akkumulátortöltő készülék biztonsága



FIGYELMEZTETÉS: Olvassa el az összes biztonsági és általános utasítást. A biztonsági és általános utasítások figyelmen kívül hagyása áramütést, tüzet és/vagy komoly sérülést okozhat. **Tartsa biztonságos helyen az útmutatót.** Csak akkor használja a töltőt, ha minden funkciót teljes mértékben ki tud értékelni és korlátozások nélkül el tud végezni, vagy ha megfelelő utasításokat kapott.

- **Felügyelje a gyermekeket használat, tisztítás és karbantartás közben.** Így biztosíthatja, hogy a gyerekek ne játszanak a töltővel.
- **Csak a 18 V-os POWER FOR ALL rendszer olyan lítium-ion akkumulátorait töltsé, amelyek kapacitása legalább 1,5 Ah (legalább 5 akkumulátorcella). Az akkumulátor feszültségének meg kell egyeznie a töltő töltőfeszültségével. Ne töltsön nem újratölthető akkumulátorokat (elemeket).** Ellenkező esetben fennáll a tűz- és robbanásveszély.
- **Ne tegye ki a töltőt esőnek vagy nedves környezetnek.** A gépbe jutó víz növeli az áramütés kockázatát.
- **Tartsa tisztán a töltőt.** A szennyeződés áramütés veszélyét rejti magában.
- **Használat előtt mindig ellenőrizze a töltőt, a kábelt és a csatlakozót. Ha bármilyen sérülést észlel, ne használja tovább a töltőt. Ne nyissa fel a töltőt, és csak képzett szakemberrel javíttassa meg, kizárólag eredeti cserealkatrészeket felhasználva.** A sérült töltők, kábelek és dugók növelik az áramütés veszélyét.
- **Ne üzemeltesse a töltőt könnyen gyulladó felületen (pl. papír, textil stb.) vagy gyúlékony környezetben.** A töltő működés közbeni felmelegedése miatt fennáll a tűzveszély.
- **Csak a gyártó által meghatározott töltővel töltsé.** Az a töltő, amelyik az egyik típusú akkumulátorhoz használható, tűzveszélyes lehet, ha másik típusú akkumulátorral használják.
- **Az akkumulátor sérülése és helytelen használata esetén gőzök is keletkezhetnek.** Gondoskodjon a terület jó szellőzéséről, és forduljon orvoshoz, ha bármilyen káros hatást tapasztal. A gőzök irritálhatják a légzőszerveket.

- **Nem rendeltetésszerű használat esetén folyadék lövellhet ki az akkumulátorból. Az ilyen folyadékkal való érintkezést kerülni kell. Ha ez véletlenül mégis megtörténik, öblítse le vízzel. Ha a folyadék a szemébe kerül, forduljon orvoshoz.** Az akkumulátorból távozó folyadék irritációt vagy égési sérülést okozhat.
- **Ne takarja le a töltő szellőzőnyílásait.** Ellenkező esetben a töltő túlmelegedhet, és nem fog megfelelően működni.
- **A biztonsági kockázatok elkerülése érdekében, ha a tápkábelt ki kell cserélni, azt a Husqvarnának vagy egy Husqvarna szerszámgépek javítására felhatalmazott szervizközpontnak kell elvégeznie.**
- **Csak a Nagy-Britanniában értékesített termékek esetén:** A termék BS 1363/A szabvány szerint jóváhagyott elektromos dugasszal van felszerelve, belső biztosítókkal (ASTA a BS 1362 szabvány szerint jóváhagyva). Ha a dugasz nem alkalmas az Ön aljzataihoz, akkor azt le kell vágni, és egy megfelelő dugaszt kell a helyére szereltetni egy hivatalos szakszervizzel. A cseredugaszunk ugyanolyan teljesítményű biztosítókkal kell rendelkeznie, mint az eredeti dugasznak. Az esetleges áramütésveszély elkerülése érdekében a levágott dugaszt dobja ki, és soha ne dugja be a hálózati aljzatba.



FIGYELMEZTETÉS: Szívroham! A termék működés közben elektromágneses mezőt hoz létre. Ez bizonyos körülmények esetén hatással lehet az aktív vagy passzív orvosi implantátumokra. A súlyos vagy halálos sérülés kockázatának csökkentése érdekében azt javasoljuk, hogy az orvosi implantátumot használó személyek a termék alkalmazása előtt kérjék ki orvosuk vagy az orvosi implantátum gyártójának tanácsát.



FIGYELMEZTETÉS: Fulladásveszély! Fennáll a kisebb méretű alkatrészek lenyelésének veszélye. A műanyag zacskó fulladást okozhat. Az összeszerelés során ne legyenek kisgyermek a közelben.

Biztonsági utasítások a karbantartáshoz



FIGYELMEZTETÉS: A terméken végzett karbantartási műveletek előtt olvassa el az alábbi figyelmeztetéseket.

- Karbantartás, egyéb ellenőrzések vagy a termék összeszerelése előtt távolítsa el az akkumulátort.
- A kezelő kizárólag a jelen használati utasításban szereplő karbantartási és szervizmunkákat végezheti el. A szélesebb körű karbantartási

és szervizmunkákkal kapcsolatban forduljon a szakszervizhez.

- Soha ne tisztítsa vízzel az akkumulátort vagy az akkumulátortöltőt. Az erős tisztítószerek kárt tehetnek a műanyagban.
- A karbantartási műveletek elmulasztása csökkenti a termék élettartamát, illetve növeli a balesetveszélyt.
- A gépen végzett minden szerviz- és javítási munkát szakképzettséget igényel, különös

tekintettel a biztonsági eszközökre. Amennyiben a karbantartást követően nem minden, a használati utasításban leírt ellenőrzési művelet jóváhagyott, forduljon a szakszervizhez. Garantáljuk a termékéhez megfelelő, professzionális javítást és szervizelést.

- Kizárólag eredeti pótalkatrészeket használjon.

Összeszerelés

Bevezető



FIGYELMEZTETÉS: Figyelmesen olvassa el a biztonságról szóló fejezetet, mielőtt összeállítaná a terméket.

A trimmervédő felszerelése

1. Helyezze a trimmervédőt a motorházra. (ábra 32)
2. Szerelje be a 2 csavart a motorházon és a trimmervédőn keresztül. (ábra 33)
3. Húzza meg a csavarokat.

A vágófej összeszerelése

1. Forgassa a kimenőtengelyt addig, amíg a hajtótárcsában lévő furatok egyike egy vonalba nem kerül a hajtóműházon lévő megfelelő furattal.
2. Helyezze be a kombinált kulcsot a nyílásba a nyél rögzítéséhez.
3. Forgassa el a vágófejet az óramutató járásával megegyező irányba. (ábra 34)

A növényvédő felszerelése

1. Szerelje fel a növényvédőt a motorház furataiba. (ábra 35)

2. Ellenőrizze, hogy a növényvédő szabadon tud-e előre és hátrafelé mozogni. (ábra 36)

A kampó falra történő felszerelése

- A kampót beltérben szerelje fel.
- Tartsa a kampót napfénytől védve és -10 °C és 70 °C közötti környezeti hőmérsékleten.
- Szerelje a kampót gipszkarton-, fa- vagy betonfalra.



VIGYÁZAT: Ügyeljen arra, hogy a fal legalább 30 kg terhet képes legyen megtartani.

- Szerelje fel a kampót a falra a 3 csavarral (A). Szükség esetén használjon tipliket (B). (ábra 37)



VIGYÁZAT: Győződjön meg arról, hogy a csavarok megfelelnek a fal típusának.

- A termékhez elérhető tárolótartozékokkal kapcsolatos információkért forduljon a Husqvarna szervizműhelyhez.

Üzemeltetés

Bevezető



FIGYELMEZTETÉS: A termék használata előtt figyelmesen olvassa el a biztonságról szóló fejezetet.

A termék működtetése előtt

- Ellenőrizze a munkaterületet – mérje fel a terep jellegét. Ellenőrizze a talaj lejtését, valamint keressen esetleges akadályokat, például köveket, ágakat és gödröket.
- Végezzen átfogó ellenőrzést a terméken.
- Végezze el a használati utasításban közölt biztonsági ellenőrzéseket, valamint karbantartási és szervizelési feladatokat.

- Ellenőrizze, nem piszkos-e a motor, és nincs-e rajta repedés. Tisztítsa meg a motort a fűtől és a levelektől egy kefe segítségével. Szükség esetén viseljen kesztyűt.
- Keressen sérülést, repedést a szegélyvágó fejen és a vágófelszerelés védőburkolatán. Ha a damilfej vagy a vágófelszerelés védőburkolata sérült vagy repedt, cserélje ki.
- Ellenőrizze, hogy az anyák és csavarok szorosan meg vannak-e húzva.
- A termék elindítása előtt győződjön meg arról, hogy minden fedőelem, burkolat, fogantyú és vágószerkezet megfelelően rögzítve van-e és sérülésmentes-e.

Akkumulátor



FIGYELMEZTETÉS: Az akkumulátor használata előtt el kell olvasnia és meg kell értenie a biztonságról szóló fejezetet. Olvassa el figyelmesen az akkumulátorhoz és az akkumulátortöltőhöz mellékelt használati útmutatót is.

Tartsa az akkumulátort és az akkumulátortöltőt megfelelő környezeti hőmérsékleten.

	Környezeti hőmérséklet
Az akkumulátor működése a termékben	-5 °C — 40 °C
Az akkumulátor feltöltése	0 °C — 35 °C

Az akkumulátor töltése

Az első használat előtt tölts fel az akkumulátort.

Megjegyzés: Az akkumulátor nem töltődik fel, ha az akkumulátor hőmérséklete +35 °C-nál magasabb.

1. Csatlakoztassa az akkumulátortöltőhöz való tápkábelt egy földelt hálózati aljzathoz.



VIGYÁZAT: Ellenőrizze, hogy a hálózati feszültség és frekvencia megfelelő-e.

2. Helyezze az akkumulátort az akkumulátortöltőbe. Az akkumulátor akkor csatlakozik az akkumulátortöltőhöz, ha a zöld LED villog. (ábra 38)
3. Az akkumulátor akkor van teljesen feltöltve, ha az akkumulátortöltő zöld LED-je világít. Az akkumulátort legfeljebb 24 óráig töltsé.
4. Húzza ki az akkumulátortöltőt a konnektorból.



VIGYÁZAT: Ne a tápkábelt húzza.

5. Vegye ki az akkumulátort a töltőből.

Az akkumulátor állapotát jelző LED az akkumulátortöltőn

A piros LED (A) és a zöld LED (B) az akkumulátortöltőn az akkumulátor állapotát jelzi. Lásd: *Az akkumulátor állapotát jelző LED a terméken239. oldalon.*

(ábra 39)

LED	Az akkumulátor állapota
A zöld LED gyorsan villog.	Az akkumulátor töltődik.

LED	Az akkumulátor állapota
A zöld LED lassan villog.	Az akkumulátor töltöttsége 80%-os.
A zöld LED világít.	Az akkumulátor teljesen fel van töltve.
A piros LED világít.	Lásd: <i>Az akkumulátor állapotát jelző LED a terméken239. oldalon.</i>
A piros LED gyorsan villog.	Lásd: <i>Az akkumulátor állapotát jelző LED a terméken239. oldalon.</i>

Az akkumulátor állapotát jelző LED a terméken

Amikor az akkumulátor be van helyezve a termékbe, a terméken lévő LED-ek jelzik az akkumulátor állapotát.

(ábra 40)

LED	Az akkumulátor állapota
Az 1., 2. és 3. LED világít.	Teljesen feltöltve.
Az 1. és 2. LED világít.	Kellően feltöltve
Az 1. LED világít.	Az akkumulátor töltöttsége alacsony.
Az 1. LED villog.	Az akkumulátor lemerült. Az akkumulátor töltöttségjelzője villog. Töltsé fel az akkumulátort. Lásd: <i>Az akkumulátor töltése239. oldalon.</i>

Az akkumulátor csatlakoztatása a termékhez



FIGYELMEZTETÉS: Az akkumulátort csak a 18 V-os POWER FOR ALL rendszer termékeivel használja.

1. Ellenőrizze, hogy az akkumulátor teljesen fel van-e töltve.
2. Csúsztassa az akkumulátort a terméken található akkumulátortartóba. Az akkumulátornak könnyedén be kell csúsznia a tartóba – ha nem ez történik, akkor nem megfelelően helyezte be.

(ábra 41)

3. Az akkumulátor egy kattánás kíséretében a helyére kattán.

A termék elindítása

1. Tartsa lenyomva a be-/kikapcsoló gombot, amíg a zöld LED világítani nem kezd. (ábra 42)
2. Nyomja meg a kapcsológomb reteszét és a kapcsológombot. A vágószerkezet forogni kezd.

A hurokfogantyú és a teleszkópos nyél beállítása

1. Nyomja meg a hurokfogantyú állítógombját.
(ábra 43)

2. Állítsa a hurokfogantyút a megfelelő szögbe.
3. Engedje fel a hurokfogantyú állítógombját.
4. Lazítsa meg a nyélen lévő kart. (ábra 44)
5. Állítsa be a megfelelő hosszt a nyélen.
6. Zárja le a kart, és húzza meg a csavarokat.

Megjegyzés: Az alábbi ábrán látható két hurokfogantyú-pozíció csak szállításra és/vagy tárolásra szolgál.

(ábra 45)

Automatikus leállítás funkció

A termék automatikus leállítás funkciója leállítja a terméket, amikor az nincs használatban. A termék 3 minutes után kikapcsol.

A termék működtetése

Fűszegélynyírás

1. Tartsa a vágófejet közvetlenül a talajszint felett ferdén. Ne nyomja bele a damilt a fűbe. (ábra 46)
2. Csökkentse a fűvágó damil hosszát 8–10 cm-rel/ 3,15–4 hüvelykkel.

Fűritkítás

1. Tartsa a damilfejet a föld fölött.
2. Döntse meg a damilfejet.

3. A munkaterületen található tárgyak körül a vágódamil végével végezze a nyírást.



VIGYÁZAT: Csak fűvet nyírjon. A vágódamilhoz ütődő egyéb tárgyak gyorsítják a damil kopását.

Fűnyírás

1. A vágódamil a fű nyírásakor legyen párhuzamos a talajjal. (ábra 47)
2. Ne nyomja le a talajra a vágófejet. Ezzel kárt tehet a termékben.
3. A fűnyírás kaszáló mozdulatokkal végezze. (ábra 48)

A fű seprése

A forgó zsinór légáramlatával eltávolíthatja a levágott fűvet a munkaterületről.

1. Tartsa a vágófejet és a zsinórt a talaj felett, arra párhuzamosan.
2. A vágófejet oldalról oldalra mozgatva seperje a fűvet.



FIGYELMEZTETÉS: Minden alkalommal tisztítsa meg a vágófej borítását, amikor új vágózinórt helyez fel, hogy egyensúlyt biztosíthasson, és elkerülhesse a markolat rezgését. Ellenőrizze és szükség esetén tisztítsa meg a vágófej egyéb elemeit is.

A termék leállítása

1. Engedje el a kapcsológombot és a kapcsológomb reteszét.
2. Tartsa lenyomva a be-/kikapcsoló gombot, amíg a zöld LED ki nem alszik.
3. Nyomja le az akkumulátor kioldógombját, és vegye ki az akkumulátort a termékből. (ábra 49)

A szegélyvágó damil pótlása

Tekintse meg a használati utasítás utolsó oldalát.

Karbantartás

Bevezető



FIGYELMEZTETÉS: A termék karbantartása előtt olvassa el és értelmezze a biztonsággal foglalkozó fejezetet.



Karbantartási terv

FIGYELMEZTETÉS: Karbantartási munkák előtt távolítsa el az akkumulátort.

Alább következik egy lista a termék karbantartásával kapcsolatos lépésekről. További információk: *Karbantartás240. oldalon.*

Karbantartás	Naponta	Hetente	Havonta
Tisztítsa meg a gép külső részeit egy száraz törülközővel. Ne használjon vizet.	X		
Ellenőrizze, hogy az indító- és leállító gomb megfelelően működik és sértetlen-e.	X		
Ellenőrizze, hogy biztonsági szempontból megfelelő-e a kapcsológomb és a kapcsológomb reteszének működése.	X		
Ellenőrizze, hogy az összes vezérlő működik és sértetlen-e.	X		
A fogantyúkat tartsa szárazon, tisztán, olaj- és zsírmentesen.	X		
Ellenőrizze, hogy a vágófelszerelés sértetlen-e. Ha a vágófelszerelés sérült, cserélje ki.	X		
Ellenőrizze, hogy a vágófelszerelés védőburkolata sértetlen-e. Ha a vágófelszerelés védőburkolata sérült, cserélje ki.	X		
Ellenőrizze, hogy a csavarok és anyák szorosan rögzülnek-e.	X		
Ellenőrizze, hogy az akkumulátor kioldógombjai működnek-e, és rögzítik-e az akkumulátort a termékben.	X		
Ellenőrizze, hogy az akkumulátortöltő sértetlen és megfelelően működik-e.	X		
Ellenőrizze, hogy az akkumulátor sértetlen-e.	X		
Ellenőrizze, hogy az akkumulátor fel van töltve.	X		
Ellenőrizze, hogy az akkumulátortöltő sértetlen-e.	X		
Ellenőrizze az összes kábelt, csatlakozót és csatlakozást. Győződjön meg arról, hogy sértetlenek és szennyeződésmentesek-e.		X	
Végezze el az akkumulátor és a termék közötti csatlakozások ellenőrzését. Végezze el az akkumulátor és az akkumulátortöltő közötti csatlakozás ellenőrzését.			X

Az akkumulátor és az akkumulátortöltő ellenőrzése

- Ellenőrizze, hogy az akkumulátoron nem található-e sérülések, például repedések.
- Ellenőrizze, hogy az akkumulátortöltőn nem található-e sérülések, például repedések.
- Ellenőrizze, hogy az akkumulátortöltő csatlakozókábele nem sérült-e, és hogy nincs-e rajta repedés.

A termék, az akkumulátor és az akkumulátortöltő tisztítása

- Használat után tisztítsa meg a terméket egy száraz ruhával.
- Tisztítsa meg az akkumulátort és az akkumulátortöltőt egy száraz ruhával. Tartsa tisztán az akkumulátorvezető síneket.
- Mielőtt a töltőkészülékbe vagy a termékbe helyezné az akkumulátort, gondoskodjon az akkumulátor és a töltő érintkezőinek tisztaságáról.

A vágófej ellenőrzése és cseréje

- Ellenőrizze a vágófejet, hogy nem található-e rajta sérülés vagy repedés.
- Forgassa a kimenőtengelyt addig, amíg a hajtótárcsában lévő furatok egyike egy vonalba nem kerül a hajtóműházon lévő megfelelő furattal.
- Helyezze be a kombinált kulcsot a nyílásba a nyél rögzítéséhez.
- Forgassa el a vágófejet az óramutató járásával ellentétes irányba.

(ábra 50)

- Cserélje ki a vágófejet.
- Szerelje össze a vágófejet. Lásd: *A vágófej összeszerelése* 238. oldalon.

Hibaelhárítás

felhasználói felület

Probléma	Lehetséges hibák	Lehetséges megoldások
Villog az indítást jelző zöld LED.	Alacsony akkumulátorfeszültség.	Töltse fel az akkumulátort.
Villog a piros hibajelző LED.	Túlterhelés.	A vágófelszerelés nem tud szabadon mozogni. Oldja ki a vágófelszerelést.
	Hőmérséklet-ingadozás.	Hagyja lehűlni a terméket.
	A kapcsológomb és az indítógomb egyszerre lett megnyomva.	Engedje el a kapcsológombot, és nyomja meg az indítógombot.
A zöld LED és a piros LED felváltva villog.	Az akkumulátor lemerült.	Töltse fel az akkumulátort.
	Az akkumulátor megsérült.	Forduljon az illetékes szakszervizhez.

Akkumulátortöltő

LED az akkumulátortöltőn	Ok	Megoldás
A zöld LED világít, és a piros LED villog.	Az akkumulátor nincs megfelelően behelyezve az akkumulátortöltőbe.	Vegye ki az akkumulátort a töltőből, majd helyezze vissza.
	Az akkumulátor csatlakozói szennyezettek.	Tisztítsa meg az akkumulátorcsatlakozókat.
	A környezeti hőmérséklet túl magas vagy túl alacsony.	Az akkumulátortöltőt 0 °C és +35 °C közötti hőmérsékleten használja.
	Meghibásodott az akkumulátor.	Cserélje ki az akkumulátort.
A zöld és a piros LED nem világít.	Az akkumulátortöltő nincs megfelelően csatlakoztatva a hálózati aljzathoz.	Csatlakoztassa az akkumulátortöltőt egy hálózati aljzathoz.
	Hibás hálózati aljzat.	Az akkumulátortöltőt a típustáblán szereplő feszültségű és frekvenciájú áramforráshoz csatlakoztassa.
	Meghibásodott az akkumulátortöltő-kábel.	Forduljon egy hivatalos szakszervizhez.
	Meghibásodott az akkumulátortöltő.	
Egyéb hibák.	Egyéb hibák esetén győződjön meg arról, hogy a termék ki van kapcsolva, vegye ki az akkumulátort, és forduljon egy hivatalos szervizműhelyhez.	

Szállítás, tárolás és ártalmatlanítás

Szállítás és raktározás

- A mellékelt lítium-ion akkumulátorokra a veszélyes anyagokra vonatkozó jogszabályok követelményei érvényesek.
- Kereskedelmi szállításnál – harmadik fél és szállítmányozó cégek esetén is – a csomagolásra és címkézésre vonatkozó speciális előírásokat be kell tartani.
- A termék elküldése előtt forduljon egy veszélyes anyagok tekintetében szakképzett személyhez. Tartsa be az összes vonatkozó nemzeti előírást.
- Ha az akkumulátort becsomagolja, a szabadon álló érintkezőket le kell fedni ragasztószalaggal. Szorosan csomagolja be az akkumulátort, hogy az ne mozdulhasson el a csomagoláson belül.
- Tároláshoz vagy szállításhoz távolítsa el az akkumulátort.
- Helyezze az akkumulátort és az akkumulátortöltőt száraz, nedvesség- és fagymentes helyre.
- Ne tartsa az akkumulátort olyan helyen, ahol elektrosztatikus töltés lehet jelen. Ne tartsa az akkumulátort fém dobozban.
- Helyezze az akkumulátort közvetlen napfénytől védett helyre, ahol a hőmérséklet -20 °C (-4 °F) és $+50\text{ °C}$ (122 °F) között van.
- Helyezze az akkumulátortöltőt közvetlen napfénytől védett helyre, ahol a hőmérséklet 5 °C (41 °F) és 45 °C (113 °F) között van.
- A terméket olyan helyen tárolja, ahol a környezeti hőmérséklet -40 °C (-40 °F) és 60 °C (140 °F) között van.
- Az akkumulátortöltőt csak 0 °C (32 °F) és 35 °C (95 °F) közötti környezeti hőmérséklet mellett használja.
- Hosszú ideig való tárolás előtt tölts fel az akkumulátort 30–50%-ra.

- Az akkumulátortöltőt száraz, zárt helyen tárolja.
- A tárolás során tartsa távol az akkumulátort az akkumulátortöltőtől. Ügyeljen arra, hogy gyermekek és más jogosulatlan személyek ne érhessenek a berendezéshez. A berendezést kulccsal zárható helyen tárolja.
- A hosszú ideig való tárolás előtt tisztítsa meg a terméket, és végezze el annak teljes karbantartását.
- A sérülések és a termék károsodásának elkerülése érdekében szállításkor és tároláskor használja a terméken található szállítási biztosítószerkezetet.
- Szállításkor rögzítse biztosan a terméket.
- Tartsa a terméket vízszintesen a tárolóhelyen, vagy akassza a mellékelt kampóra. Lásd: *A kampó falra történő felszerelése* 238. oldalon.

(ábra 51)

Az akkumulátor, az akkumulátortöltő és a termék ártalmatlanítása

Az alábbi szimbólum azt jelzi, hogy a termék nem minősül háztartási hulladéknak. Újrahasznosítását egy elektromos és elektronikus berendezések újrahasznosítására szolgáló ponton kell elvégezni. Ez elősegíti a környezetre és a személyekre gyakorolt káros hatások megelőzését.

További információkért forduljon a helyi hatóságokhoz, hulladékártalmatlanítási szolgáltatást végző vállalkozáshoz vagy kereskedőjéhez.

(ábra 18)

Megjegyzés: A szimbólum a terméken vagy annak csomagolásán található.

Műszaki adatok

Műszaki adatok

	Aspire T28-P4A
Motor	
Motortípus	PMDC
Kimenőtengely fordulatszáma, ford./perc	6800
Vágószélesség, mm	280
Tömeg	
Tömeg akkumulátor nélkül, kg	2,6
Tömeg akkumulátorral együtt (P4A 18-B45/P4A 18-B70), kg	3,0/3,3

Aspire T28-P4A	
Zajkibocsátás ³⁴	
Hangteljesítményszint, mért dB (A) érték	85
Hangteljesítményszint, garantált, L _{WA} dB (A)	88
Zajszintek ³⁵	
A kezelő hallószervére gyakorolt, EN ISO 50636-2-91 szerint mért hangnyomásszint, dB (A)	73
Rezgésszintek ³⁶	
Az EN50636-2-91 szerint mért rezgésszintek a fogantyúban, m/s ²	2,26/1,61
Vágófejjel ellátva (eredeti), első/hátsó.	

Akkumulátor	P4A 18-B45	P4A 18-B72
Típus	Lítium-ion	Lítium-ion
Akkumulátor kapacitása, Ah	Lásd az akkumulátor típuscímkejét	Lásd az akkumulátor típuscímkejét
Névleges feszültség, V	18	18
Tömeg, kg	0,4	0,7

Akkumulátortöltő	P4A 18-C70
Hálózati feszültség, V	220–240
Frekvencia, Hz	50–60
Teljesítmény, W	70
Kimeneti feszültség, V, egyenáram/ amper, A	14,4–18/3

³⁴ A környezetben a 2000/14/EK sz. EK irányelvvel összhangban hangteljesítményként mért zajkibocsátás (L_{WA}). A garantált és a mért hangteljesítmény közötti különbségnek az az oka, hogy a garantált hangteljesítmény tartalmazza a mérési eredményben lévő ingadozást és az azonos modellű termékek közti eltéréseket is a 2000/14/EK jelű irányelv értelmében.

³⁵ A termék ekvivalens hangnyomásszintjére vonatkozó jelentési adatok 3 dB (A) tipikus statisztikus ingadozással (szórással) rendelkeznek.

³⁶ A rezgésszintre vonatkozó jelentési adatok az 1,5 m/s² tipikus statisztikus ingadozásával (szórásával) rendelkeznek.

Tartozékok

Eredeti tartozékok

Eredeti tartozékok	Típus	Vágófelszerelés védőburkolata, cikksz.
Damilfej	A15B M5 (Ø 1,6 mm-es szál)	536 47 32-01

Megfelelőségi nyilatkozat

EU megfeleléségi nyilatkozat

A **Husqvarna AB**, SE-561 82 Huskvarna, Sweden (tel.: +46-36-146500), a saját felelősségére kijelenti, hogy a termék:

Leírás	Akkumulátoros szegélyvágó
Márka	Husqvarna
Típus/modell	Aspire T28-P4A
Megjelölés	2023-as és újabb sorozatszámok

teljes mértékben megfelelnek a következő EU-irányelveknek és szabályozásoknak:

Irányelv/rendelet	Leírás
2006/42/EK	„gépre vonatkozó”
2014/30/EU	„elektromágneses megfeleléségre vonatkozó”
2000/14/EK	„környezeti zajkibocsátásra vonatkozó”
2011/65/EU	„az egyes veszélyes anyagok elektromos és elektronikus berendezésekben való alkalmazásának korlátozására vonatkozó”

valamint hogy az alábbi szabványok és/vagy műszaki előírások kerültek alkalmazásra: EN 60335-1:2012/ A15:2021, EN 50636-2-91:2014, EN IEC 63000:2018, EN IEC 55014-1:2021; EN IEC 55014-2:2021.

Bejelentett tanúsítási szervezet: A(z) 0158 DEKRA Testing and Certification GmbH, Handwerkstraße 15, 70565 Stuttgart, Germany igazolja a Bizottság 2000/14/EK jelű irányelve VI., megfeleléséértékelési eljárás című függelékének való megfelelést.

A zajkibocsátásra vonatkozó tájékoztatást illetően tekintse át a következőt: *Műszaki adatok243. oldalon.*

Huskvarna, 2023-12-14



Claes Losdal, K+F menedzser, Husqvarna AB

A műszaki dokumentációk felelőse



Licenc

Copyright © 2012–2020 STMicroelectronics

A garancia nem vonatkozik a normál felhasználásból, a gondatlanságból, a hibás használatból, a jogosulatlan javításból vagy abból eredő hibákra, hogy a szívkészüléket nem megfelelő feszültségről próbálták használni.

Minden jog fenntartva.

Az újraelosztás és a felhasználás forrás- és bináris formában, módosítással vagy anélkül, a következő feltételek teljesülése esetén engedélyezett:

- A forráskód újraosztásakor a fenti szerzői jogi közleményt, a feltételek listáját és a következő nyilatkozatot kell megtartani.
- A bináris formában történő újraosztásoknak a fenti szerzői jogi közleményt, a feltételek jelen listáját és az alábbi nyilatkozatot kell tartalmazniuk a dokumentációban és/vagy a terjesztéssel együtt adott egyéb anyagokban.
- Sem az STMicroelectronics neve, sem a közreműködők neve nem használható a szoftverből származó termékek támogatására vagy népszerűsítésére külön előzetes írásbeli engedély nélkül.

A JELEN SZOFTVERT A SZERZŐI JOGOK TULAJDONOSAI ÉS A HOZZÁJÁRULÓK ADOTT ÁLLAPOTBAN BIZTOSÍTJÁK, ÉS KIZÁRNÁK MINDEN KIFEJEZETT VAGY VÉLELMEZETT GARANCIÁT, KORLÁTOZÁS NÉLKÜL IDEÉRTVE A FORGALOMKÉPESSÉGRE ÉS AZ ADOTT CÉLRA VALÓ ALKALMASSÁGRA VONATKOZÓ VÉLELMEZETT GARANCIÁKAT. A SZERZŐI JOGOK TULAJDONOSAI VAGY A KÖZREMŰKÖDŐK SEMMILYEN ESETBEN SEM VISELNEK FELELŐSSÉGET SEMMILYEN KÖZVETLEN, KÖZVETETT, JÁRULÉKOS, KÜLÖNLEGES, ELRETTENTÉSI CÉLT SZOLGÁLÓ VAGY KÖVETKEZMÉNYES KÁROKÉRT (BELEÉRTVE TÖBBEK KÖZÖTT A HELYETTESÍTŐ ÁRUK VAGY SZOLGÁLTATÁSOK BESZERZÉSÉT; A HASZNÁLHATÓSÁG, AZ ADATOK VAGY A NYERESÉG ELVESZTÉSÉT; VAGY AZ ÜZLETI TEVÉKENYSÉG MEGSZAKADÁSÁT IS), ANNAK OKÁTÓL ÉS A FELELŐSSÉG ELMÉLETI ALAPJÁTÓL FÜGGETLENÜL, AKÁR SZERZŐDÉSE, AKÁR OBJEKTÍV FELELŐSSÉGEN ALAPULÓ, AKÁR JOGELLENES KÁROKOZÁS (BELEÉRTVE A GONDATLANSÁGBÓL ELKÖVETETT ÉS EGYÉB KÁROKOZÁSOKAT IS) TÖRTÉNT, AMELY BÁRMILYEN MÓDON ENNEK A SZOFTVERNEK A HASZNÁLATÁBÓL ERED, MÉG AKKOR IS, HA AZ ILYEN KÁROK LEHETŐSÉGÉRŐL A TÁJÉKOZTATÁS MEGTÖRTÉNT.

Apache 2.0 licenc

Copyright © 2009-2019 Arm Limited. Minden jog fenntartva.

2.0 verzió, 2004. január <http://www.apache.org/licenses/>

A HASZNÁLATRA, MÁSOLÁSRA ÉS TERJESZTÉSRE VONATKOZÓ FELTÉTELEK

1. Meghatározások.

A „**licenc**” a jelen dokumentum 1–9. szakaszában meghatározott használati, másolási és terjesztési feltételeket jelenti. A „**licencadó**” a szerzői jog tulajdonosa vagy a licencet adó szerzői jog tulajdonosa által engedélyezett jogalany. A „**jogi személy**” az eljáró jogalany és minden más olyan jogalany egyesülése, amely az adott jogalanyt ellenőrzi, annak ellenőrzése alatt áll, vagy közös ellenőrzés alatt áll vele. A jelen meghatározás alkalmazásában az „**ellenőrzés**” (i) a közvetlen vagy közvetett jogkör, amely az ilyen jogalany irányítását vagy kezelését szerződés által vagy más módon teszi lehetővé, vagy (ii) a fennálló részvények legalább ötven százalékának (50%) tulajdonjoga, vagy (iii) az ilyen jogalany tényleges tulajdonjoga. Az „**On**” (vagy „**Öné**”) a jelen licenc által biztosított engedélyeket gyakorló egyénre vagy jogi személyre vonatkozik. A „**forrás**” forma a módosítások előnyben részesített formáját jelenti, korlátozás nélkül ideértve a szoftver forráskódját, a dokumentáció forrását és a konfigurációs fájlokat is. A „**tárgy**” forma a forrás forma mechanikai átalakításából vagy fordításából eredő bármilyen formát jelenti, beleértve, de nem kizárólagosan a lefordított tárgykódot, a létrehozott dokumentációt és a más adathordozó-típusokba történő konverziókat. A „**munka**” a forrás vagy tárgy formában lévő szerzői mű, amely a licenc keretében áll rendelkezésre, amit a műben szereplő vagy ahhoz csatolt szerzői jogi közlemény jelez (az alábbi függelékben található egy példa erre). A „**származékos művek**” minden olyan – forrás vagy tárgy formában lévő – mű, amely a munkán alapul (vagy abból származik), és amely esetében a szerkesztői módosítások, megjegyzések, kidolgozások vagy egyéb módosítások egésze egy eredeti szerzői művet jelent. E licenc alkalmazásában a származékos művek nem tartalmazhatnak olyan munkákat, amelyek a munka és származékos művek felületeitől elválaszthatók vagy alig kapcsolhatók (vagy köthetők név alapján) hozzájuk. A „**közreműködés**” bármely olyan szerzői mű – beleértve a munka eredeti verzióját és az adott munka vagy származékos művek módosításait vagy kiegészítéseit is –, amelyet a szerzői jog tulajdonosa, illetve egy, a szerzői jog tulajdonosa nevében eljáró magánszemély vagy jogi személy szándékosan nyújt be a licencadónak a munkába való belefoglalás érdekében. E meghatározás alkalmazásában a „**beküldött**” bármilyen, a licencadónak vagy annak képviselőinek küldött elektronikus, szóbeli vagy írásos kommunikáció formáját jelenti, nem kizárólagosan beleértve az elektronikus levelezőlistákat, a forráskód-ellenőrző rendszereken és a problémakövető rendszereken keresztül történő kommunikációt is, amelyet a licencadó kezel vagy annak nevében kezelnek a munka megváltása és javítása

céljából, kizárva azonban az olyan kommunikációt, amelyet a szerzői jog tulajdonosa nyilvánvalóan vagy más módon „nem közreműködésként” jelölt meg. A „közreműködő” a licencadó és az a magánszemély vagy jogi személy, akinek nevében a közreműködést a licencadó megkapta, és ezt követően beillesztette a munkába.

2. Szerzői jogi engedély megadása.

A jelen licenc feltételeinek megfelelően minden közreműködő egy állandó, világszerte érvényes, nem kizárólagos, díjmentes, jogdíjmentes, visszavonhatatlan szerzői jogi licencet biztosít Önnek a munka másolásához, nyilvános megjelenítéséhez, nyilvános végrehajtásához, allicenciába adásához, a munkából való származékos művek készítéséhez, valamint a munka és az effajta származékos művek forrás és tárgy formában történő terjesztéséhez.

3. Szabadalmi engedély megadása.

A jelen licenc feltételeinek megfelelően minden közreműködő örök, világszerte érvényes, nem kizárólagos, díjmentes, jogdíjmentes, visszavonhatatlan (kivéve az ebben a szakaszban meghatározottak szerint) szabadalmi engedélyt ad Önnek a munka készítésére, használatára, értékesítésre kínálására, értékesítésére, importálására és egyéb módon történő átadására, amennyiben az ilyen engedély csak azokra a szabadalmi igényekre vonatkozik, amelyeket az ilyen közreműködő engedélyezhet, és amelyeket a közreműködés(ek) önmagukban, vagy a közreműködés(ek) és annak a munkának a kombinációja, amelyhez az ilyen közreműködés(ek) be lettek küldve, szükségszerűen megsért. Ha Ön szabadalmi peres eljárást kezdeményez bármely jogalany ellen (beleértve a peres ellenköveteléseket vagy viszontkereseteket is) azt állítva, hogy a munkába belefoglalt mű vagy közreműködés közvetlen vagy közreműködői szabadalomtörletésnek minősül, akkor az adott munkához a jelen licenc alapján Önnek adott szabadalmi engedélyek az ilyen peres eljárás kezdeményezésének napján megszűnnek.

4. Újraelosztás.

A munka vagy származékos művek példányait másolhatja és terjesztheti tetszőleges eszközön, módosításokkal vagy anélkül, valamint forrás vagy tárgy formájában, feltéve, hogy Ön megfelel az alábbi feltételeknek:

- A munka vagy a származékos művek más címzettjeinek is adnia kell egy példányt a jelen licencből; és
- A módosított fájlokban figyelemfelkeltő megjegyzéseket kell tartalmazni arról, hogy Ön módosította a fájlokat; és – meg kell őriznie az Ön által terjesztett származékos művek forrás formájában az összes szerzői jogi, szabadalmi, védjegyre vonatkozó és szerzői jogi közleményt a munka forrás formájából, kivéve

azokat a közleményeket, amelyek nem tartoznak a származékos művek valamely részéhez; valamint

- Ha a munka tartalmaz egy „NOTICE” szövegfájlt a terjesztés részeként, akkor az Ön által terjesztett bármely származékos művek tartalmaznia kell egy olvasható példányt az ilyen NOTICE fájlban található szerzői jogi közleményekről, kivéve azokat a közleményeket, amelyek nem tartoznak a származékos művek részéhez sem, a következő helyek legalább egyikén: a származékos művek részeként terjesztett NOTICE szövegfájlban belül; a forrás formában vagy dokumentációban, ha mellékelve van a származékos művekhez; illetve a származékos művek által létrehozott megjelenítésen belül, amennyiben és ahol az ilyen harmadik féltől származó közlemények általában megjelennek. A NOTICE fájl tartalma csak tájékoztató jellegű, és nem módosítja a licencet. Ön saját szerzői jogi közleményt adhat hozzá az Ön által terjesztett származékos művekben a munka NOTICE szövege mellé vagy annak kiegészítéseként, feltéve, hogy az ilyen további szerzői jogi közlemények nem tekinthetők a licenc módosításának. Ön saját szerzői jogi nyilatkozatát hozzáadhatja a módosításaihoz, és további vagy eltérő licencfeltételeket biztosíthat a módosításai használatához, másolásához vagy terjesztéséhez, illetve bármely ilyen származékos mű egészéhez, amennyiben a munkával kapcsolatos Ön általi használat, másolat és terjesztés megfelel a jelen licenc feltételeinek.

5. Hozzájárulások benyújtása.

Hacsak Ön kifejezetten másként nem rendelkezik, az Ön által a licencadónak szándékosan benyújtott közreműködésre a jelen licenc feltételei vonatkoznak, egyéb további feltételek nélkül. A fentiek ellenére semmi sem helyettesítheti vagy módosíthatja a licencadóval az ilyen közreműködésekkel kapcsolatban végrehajtott külön licencszerződés feltételeit.

6. Védjegyek.

A jelen licenc nem ad engedélyt a licencadó kereskedelmi neveinek, védjegyeinek, szolgáltatási védjegyeinek vagy termékneveinek használatára, kivéve, ha ez szükséges a munka eredetének észszerű és szokásos használata mellett leírásához és a NOTICE fájl tartalmának reprodukálásához.

7. A szavatossági felelősség kizárása.

Az alkalmazandó jogszabályok vagy írásbeli megállapodás eltérő rendelkezése hiányában a licencadó részéről a munka terjesztésére (és az egyes közreműködők a közreműködéseikre) ADOTT ÁLLAPOTBAN KERÜL SOR bármilyen kifejezett vagy vélelmezett GARANCIA VAGY FELTÉTELE NÉLKÜL, beleértve, de nem kizárólagosan a JOGÍMRE, JOGSÉRTÉS HIÁNYÁRA, PIACKÉPESSÉGRE, ILLETVE ADOTT CÉLRA VALÓ ALKALMASSÁGRA vonatkozó garanciákat és feltételeket. Kizárólag Ön felelős a munka használatára és újraelosztására

vonatkozó megfelelőség megítéléséért, és vállalja a jelen licenc alapján történő jogosultság gyakorlásával kapcsolatos kockázatokat. 8. A felelősség korlátozása. Semmilyen esetben és semmilyen jogelmélet alapján, legyen szó károkozásról (ideértve a gondatlanságot is), szerződésről vagy más módról, kivéve, ha az alkalmazandó jogszabály előírja (mint például szándékos és súlyos gondatlanság) vagy írásos megegyezés esetén, sem vállal felelősséget egyik közreműködő sem az Önt ért károkra vonatkozóan, beleértve a jelen licenccel eredő bármilyen jellegű közvetlen, közvetett, rendkívüli, véletlenszerű vagy következményes károkat is, a munka használatából vagy használatának ellehetetlenülése következtében (korlátozás nélkül ideértve a jó hírnév sérelméből, munkaleállásból, számítógép kieséséből vagy meghibásodásából eredő károkat vagy bármely más kereskedelmi kárt vagy veszteséget), valamint

abban az esetben sem, ha az ilyen közreműködő tájékoztatást kapott az effajta károk lehetőségéről.

9. Garancia vagy további felelősség elfogadása.

A munka vagy a származékos művek újraelosztása mellett választhatja, hogy felajánl, és díjat számít fel a támogatási, jótállási, kárterítési vagy egyéb felelősségi kötelezettségek és/vagy a jelen licenccel összhangban lévő jogok elfogadásáért. Az ilyen kötelezettségek elfogadásakor azonban csak saját nevében és kizárólagos felelősségére járhat el, nem pedig bármely más közreműködő nevében, és csak abban az esetben, ha vállalja, hogy kártalanít, megvéd és véltlennek nyilvánít minden egyes közreműködőt bármely felmerülő kötelezettséggel vagy követeléssel szemben az effajta garancia vagy további felelősség elfogadása miatt. A HASZNÁLATI FELTÉTELEK VÉGE

Sommario

Introduzione.....	249	Trasporto, stoccaggio e smaltimento.....	263
Sicurezza.....	251	Dati tecnici.....	264
Montaggio.....	258	Accessori.....	265
Utilizzo.....	259	Dichiarazione di conformità.....	266
Manutenzione.....	261	Licenze.....	267
Ricerca guasti.....	262	Appendice	507

Introduzione

Descrizione del prodotto

Husqvarna Aspire T28-P4A è un trimmer a batteria con un motorino elettrico.

Il lavoro è in costante evoluzione per aumentare sicurezza ed efficienza durante le attività. Rivolgersi al centro di assistenza per maggiori informazioni.

Uso previsto

Il prodotto può essere utilizzato con una testina portafilo per tagliare l'erba. Non utilizzare il prodotto per altre

operazioni diverse dalla bordatura e dallo sfoltimento dell'erba.

Nota: I regolamenti nazionali possono imporre restrizioni sull'uso del prodotto.

Guida rapida

Eseguire la scansione del codice QR per suggerimenti sull'uso del prodotto.

(Fig. 20)

Panoramica del prodotto

(Fig. 1)

1. Testina portafilo
2. Protezione del gruppo di taglio
3. Protezione piante
4. Regolazione (telescopica) dell'albero
5. Albero
6. Impugnatura ad anello
7. Coperchio di manutenzione
8. Pulsante di regolazione dell'impugnatura ad anello
9. Interfaccia utente
10. Spia di avvertenza
11. Spia stato di carica

12. Pulsante On/Off
13. Leva comando
14. Fermo della leva di comando
15. Batteria (P4A 18-B45)
16. Pulsante per il rilascio della batteria
17. Batteria (P4A 18-B72)
18. Caricabatteria (P4A 18-C70)
19. Connettore
20. Spia di accensione e avvertenza
21. Strumento combinato
22. Gancio a parete
23. Viti e tasselli per gancio a parete

Simboli riportati sul prodotto

- (Fig. 2) **AVVERTENZA:** questo prodotto può essere pericoloso e causare lesioni gravi o mortali all'operatore o a terzi. Prestare attenzione e utilizzare il prodotto correttamente.
- (Fig. 3) Prima dell'uso, leggere attentamente il manuale operatore e accertarsi di aver compreso le istruzioni.
- (Fig. 4) Utilizzare una protezione per gli occhi.
- (Fig. 5) Non esporre alla pioggia.
- (Fig. 6) Emissioni di rumore nell'ambiente in conformità alle direttive e alle norme UE e UK e alla norma del Nuovo Galles del Sud in materia di protezione dell'ambiente Protection of the Environment Operations (Noise Control) Regulation 2017. Il livello di potenza sonora garantito del prodotto è specificato in *Dati tecnici alla pagina 264*.
- (Fig. 7) Scollegare la batteria prima di eseguire la manutenzione.
- (Fig. 8) Il prodotto o l'imballaggio del prodotto non è un rifiuto domestico. Riciclarlo in una stazione di riciclaggio per apparecchiature elettriche ed elettroniche.
- (Fig. 9) Prestare attenzione agli oggetti lanciati.
- (Fig. 10) Non utilizzare lame in metallo.
- (Fig. 11) Il prodotto è conforme alle direttive UE vigenti.
- (Fig. 12) Il prodotto è conforme alle direttive del Regno Unito vigenti.
- (Fig. 13) Corrente diretta.
- (Fig. 17) La distanza tra la macchina e gli astanti deve essere di almeno 15 m.

aaaassxxxx

La targhetta dati di funzionamento o la stampa al laser mostrano il numero di serie. **aaaa** è l'anno di produzione e **ss** è la settimana di produzione.

Simboli riportati sul prodotto

- (Fig. 2) **AVVERTENZA:** questo prodotto può essere pericoloso e causare lesioni gravi o mortali all'operatore o a terzi. Prestare attenzione e utilizzare il prodotto correttamente.
- (Fig. 3) Prima dell'uso, leggere attentamente il manuale operatore e accertarsi di aver compreso le istruzioni.
- (Fig. 4) Utilizzare una protezione per gli occhi.
- (Fig. 5) Non esporre alla pioggia.
- (Fig. 6) Emissioni di rumore sull'etichetta ambientale in base alle direttive UE (inclusa anche la legislazione del Nuovo Galles del Sud) e alle normative del Regno Unito. I dati sulle emissioni di rumore sono riportati sull'etichetta della macchina e nel capitolo Dati tecnici.
- (Fig. 7) Scollegare la batteria prima di eseguire la manutenzione.
- (Fig. 8) Il prodotto o l'imballaggio del prodotto non è un rifiuto domestico. Riciclarlo in una stazione di riciclaggio per apparecchiature elettriche ed elettroniche.
- (Fig. 9) Prestare attenzione agli oggetti lanciati.
- (Fig. 10) Non utilizzare lame in metallo.
- (Fig. 11) Il prodotto è conforme alle direttive UE vigenti.
- (Fig. 13) Corrente diretta.
- (Fig. 17) La distanza tra la macchina e gli astanti deve essere di almeno 15 m.
- aaaassxxxx** La targhetta dati di funzionamento o la stampa al laser mostrano il numero di serie. **aaaa** è l'anno di produzione e **ss** è la settimana di produzione.

Simboli sulla batteria e/o sul caricabatterie

(Fig. 18)

Riciclare questo prodotto in una stazione di riciclaggio per apparecchiature elettriche ed elettroniche. (Solo per l'Europa)

(Fig. 19)

Utilizzare la batteria solo nei prodotti dei partner del sistema POWER FOR ALL.

(Fig. 14)

Trasformatore a prova di guasto.

(Fig. 15)

Utilizzare e conservare il caricabatteria solo in ambienti interni.

(Fig. 16) Doppio isolamento.

Danni al prodotto

Non siamo responsabili dei danni al prodotto se:

- Il prodotto viene riparato in modo errato.
- Il prodotto viene riparato con parti che non provengono o non sono omologate dal produttore.
- Il prodotto contiene un accessorio che non proviene o non è omologato dal produttore.
- Il prodotto non viene riparato presso un centro di assistenza autorizzato o presso un'autorità competente.

Produttore

Husqvarna AB

SE-561 82, Huskvarna, Sweden

Sicurezza

Definizioni di sicurezza

Le avvertenze, le precauzioni e le note sono utilizzate per evidenziare le parti importanti del manuale.



AVVERTENZA: Utilizzato se è presente un rischio di lesioni o morte dell'operatore o di passanti nel caso in cui le istruzioni del manuale non vengano rispettate.



ATTENZIONE: Utilizzato se è presente un rischio di danni al prodotto, ad altri materiali oppure alla zona adiacente nel caso in cui le istruzioni del manuale non vengano rispettate.

Nota: Utilizzato per fornire ulteriori informazioni necessarie in una determinata situazione.

Avvertenze generali di sicurezza dell'attrezzo elettrico



AVVERTENZA: Leggere attentamente tutte le avvertenze di sicurezza e tutte le istruzioni. La mancata osservanza delle avvertenze e delle istruzioni può dare luogo a scosse elettriche, incendi e/o gravi lesioni.

Nota: Conservare tutte le avvertenze e le istruzioni per la futura consultazione. Nelle avvertenze, il termine "attrezzo elettrico" si riferisce al vostro attrezzo elettrico

alimentato tramite rete elettrica (con cavo) o a batteria (senza fili).

Controlli prima dell'avviamento

- Rimuovere sempre la batteria per evitare che il prodotto venga azionato per errore. Rimuovere sempre la batteria prima di procedere alla manutenzione del prodotto.
- Prima di utilizzare il prodotto e dopo ogni impatto, controllare eventuali segni di usura o danno e, se necessario, ripararli.
- Controllare l'area di lavoro. Asportare eventuali corpi estranei quali pietre, frammenti di vetro, chiodi, fili di acciaio, corde ecc. che potrebbero essere scagliati oppure avvolgere il tagliante o la relativa protezione.
- Verificare che il motore non sia sporco o danneggiato. Rimuovere l'erba e il fogliame dal motore utilizzando una spazzola. Usare i guanti quando è necessario.
- Controllare che la testina portafilo sia saldamente attaccata alla macchina.
- Controllare che il prodotto sia in perfette condizioni. Controllare che tutti i dadi e le viti siano ben serrati.
- Controllare la testina portafilo e la protezione parasassi e verificare che siano intatte e non presentino incrinature. Sostituire la testina portafilo o la protezione parasassi nel caso in cui abbiano subito degli urti o presentino incrinature. Usare sempre la protezione consigliata per ogni specifico gruppo di taglio. Vedi capitolo Dati tecnici.
- L'operatore deve accertarsi che persone o animali non si avvicinino entro un raggio di 15 metri durante il lavoro. Nel caso in cui più operatori stiano lavorando nella stessa zona, la distanza di sicurezza deve essere almeno di 15 metri.

- Eseguire un'ispezione generale del prodotto prima dell'utilizzo. Consultare il programma di manutenzione.
- La normativa nazionale o locale potrebbe regolarne l'utilizzo. Assicurare la conformità alla normativa in vigore.
- **Usare sempre abbigliamento protettivo personale. Indossare sempre una protezione per gli occhi.** L'uso in condizioni adeguate dell'abbigliamento protettivo (come mascherina protettiva, calzature di sicurezza antiscivolo, elmetto o cuffie protettive) riduce le lesioni personali.

Sicurezza dell'area di lavoro

- **Tenere l'area di lavoro pulita e ben illuminata.** Le zone in disordine o male illuminate possono provocare incidenti.
- **Non mettere in funzione attrezzi elettrici in ambienti esplosivi, quali quelli che comportano la presenza di liquidi infiammabili, gas o polvere.** Gli attrezzi elettrici generano scintille che possono incendiare polveri o fumi.
- **Tenere lontani bambini e spettatori mentre si fa funzionare un attrezzo elettrico.** Le distrazioni possono causare la perdita del controllo.

Sicurezza elettrica

- **Le spine degli elettroutensili devono essere adatte alla presa. Evitare assolutamente di apportare modifiche alla spina. Non impiegare spine adattatrici assieme a elettroutensili con collegamento a terra.** Le spine non modificate e le prese adatte allo scopo riducono il rischio di scosse elettriche.
- **Evitare il contatto con superfici messe a massa o collegate a terra, come condutture, radiatori, stufe e frigoriferi.** Sussiste un maggior rischio di scosse elettriche nel momento in cui il corpo è messo a massa.
- **Non esporre gli elettroutensili a pioggia o umidità.** L'ingresso di acqua in un elettroutensile fa aumentare il rischio di scosse elettriche.
- **Non rovinare il cavo elettrico. Non usare mai il filo per trasportare, tirare o staccare dalla presa l'elettroutensile. Non avvicinare il cavo a fonti di calore, olio, spigoli taglienti e neppure a parti della macchina che siano in movimento.** I cavi danneggiati o attorcigliati fanno aumentare il rischio di scosse elettriche.
- **Per il funzionamento di un elettroutensile all'aperto, usare una prolunga adatta.** L'uso di un cavo di prolunga omologato per l'impiego all'aperto riduce il rischio di scosse elettriche.
- **Se l'impiego dell'elettroutensile in ambienti umidi è inevitabile, utilizzare un interruttore differenziale (salvavita) per proteggere il circuito di alimentazione.** L'utilizzo di un salvavita riduce il rischio di scosse elettriche.
- **Prevenire la messa in funzione accidentale. Accertarsi che l'interruttore sia in posizione OFF prima di effettuare il collegamento alla presa dell'alimentazione e/o alla batteria, di sollevare o trasportare l'attrezzo.** Il trasporto di attrezzi elettrici tenendo le dita sull'interruttore o su attrezzi che producono corrente e il cui interruttore è acceso, può provocare incidenti.
- **Rimuovere qualunque chiave o strumento di regolazione prima di accendere l'attrezzo elettrico.** Qualunque chiave o attrezzo lasciato attaccato a parti rotanti può causare danni alla persona.
- **Operare in sicurezza. Operare sempre facendo attenzione a posizionare bene i piedi e a mantenere l'equilibrio.** Ciò permette un migliore controllo dell'attrezzo elettrico in situazioni inattese.
- **Vestirsi in maniera adeguata. Non indossare abiti troppo ampi o gioielli. Tenere capelli e indumenti lontani dalle parti in movimento.** Lasciati liberi, indumenti, gioielli o capelli lunghi possono restare impigliati nelle parti in movimento.
- **Qualora vengano forniti strumenti per il collegamento a strutture di estrazione e raccolta della polvere, accertarsi che queste siano collegate e usate in modo adeguato.** La raccolta della polvere può ridurre i rischi legati alla presenza di questo agente.
- **La familiarità e l'esperienza acquisite con il prodotto non devono far sottovalutare i rischi insiti nell'utilizzo dello stesso. Non ignorare le norme basilari di sicurezza dell'attrezzatura.** Un'azione incauta può provocare gravi danni in una frazione di secondo.
- La produzione di vibrazioni durante l'utilizzo del dispositivo elettrico può essere differente dal valore totale dichiarato, a seconda delle modalità di impiego del dispositivo. Gli operatori devono identificare le misure di sicurezza necessarie per la protezione in base a una stima dell'esposizione in condizioni pratiche di utilizzo (tenendo in considerazione le diverse fasi di funzionamento, vale a dire i momenti in cui il dispositivo è spento, quando è in regime di minimo nonché quando è innestato il comando).

Uso e cura dell'elettroutensile

- **Non forzare l'elettroutensile. Usare l'elettroutensile adatto all'applicazione.** L'elettroutensile giusto farà il lavoro meglio e in modo più sicuro se usato alla velocità per la quale è stato progettato.
- **Non usare l'elettroutensile se non è possibile accenderlo o spegnerlo tramite interruttore.** Qualunque elettroutensile che non possa essere controllato tramite interruttore è pericoloso e deve essere riparato.

Sicurezza personale

- **Nell'uso di un attrezzo elettrico, restare allerta, fare attenzione a ciò che si sta facendo e usare il buonsenso. Non usare un attrezzo elettrico quando si è stanchi o sotto l'effetto di droga, alcol o farmaci.** Un attimo di disattenzione può causare lesioni personali gravi.

- **Scollegare la spina dalla presa di corrente e/o rimuovere la batteria, se staccabile, prima di procedere a qualunque regolazione, cambio di accessori o alla conservazione degli elettrodomestici.** Tali misure di sicurezza preventive riducono il rischio di avvio accidentale dell'elettrodomestico.
- **Riporre gli elettrodomestici fuori dalla portata dei bambini e non permettere l'uso dei suddetti a persone che non hanno familiarità con tali utensili e con queste istruzioni.** Nelle mani di persone inesperte, gli elettrodomestici sono pericolosi.
- **Effettuare la manutenzione degli elettrodomestici e degli accessori. Controllare che non si verifichi un errato allineamento o collegamento delle parti in movimento, la rottura di pezzi e qualsivoglia altra condizione che possa inficiare il funzionamento dell'elettrodomestico. Qualora danneggiato, riparare l'elettrodomestico prima dell'uso.** Molti incidenti sono causati da elettrodomestici con una manutenzione inadeguata.
- **Mantenere affilati e puliti gli strumenti da taglio.** Con una manutenzione adeguata, gli strumenti da taglio con bordi affilati risultano più facili da controllare e meno pericolosi.
- **Usare l'elettrodomestico, gli accessori, le punte ecc. come indicato dalle presenti istruzioni, tenendo conto delle condizioni di lavoro e della prestazione da effettuare.** L'impiego di elettrodomestici per usi diversi da quelli previsti può dar luogo a situazioni di pericolo.
- **Mantenere le impugnature e le superfici di presa asciutte, pulite e prive di olio e grasso.** Le impugnature e le superfici di presa scivolose non consentono una manipolazione e un controllo sicuri dell'utensile in situazioni impreviste.

Utilizzo e manutenzione della batteria

- **Ricaricare l'attrezzo esclusivamente utilizzando il caricabatterie specificato dal produttore.** L'utilizzo di un caricabatterie indicato per un altro tipo di batteria potrebbe provocare rischio di incendio.
- **Utilizzare i prodotti esclusivamente con le batterie specificate.** L'utilizzo di altri pacchi batteria potrebbe provocare lesioni e incendi.
- **Se la batteria non viene utilizzata, tenerla lontana da altri oggetti metallici, come graffette, monete, chiavi, chiodi, viti o altri piccoli oggetti metallici che potrebbero consentire il collegamento tra i terminali.** Provocare il cortocircuito dei terminali della batteria potrebbe causare ustioni o provocare un incendio.
- **In condizioni non ottimali, la batteria potrebbe perdere liquido; evitare il contatto. Qualora il contatto avvenisse, sciacquare la parte con acqua. Se il liquido entra negli occhi, chiamare immediatamente un medico.** Il liquido fuoriuscito dalla batteria potrebbe causare irritazioni o ustioni.
- **Non usare batterie o utensili danneggiati o modificati.** Batterie danneggiate o modificate possono manifestare un comportamento

imprevedibile, con rischio di incendi, esplosioni e lesioni.

- **Non esporre batterie o utensili al fuoco o a temperature elevate.** L'esposizione al fuoco o una temperatura superiore a 130 °C (265 °F) può provocare esplosioni.
- **Seguire tutte le istruzioni per il caricamento della batteria e non caricare la batteria o l'utensile al di fuori dell'intervallo di temperatura indicato nelle istruzioni.** Ricaricare in modo inappropriato o a temperature che non rientrano nell'intervallo specificato può danneggiare la batteria e aumentare il rischio di incendio.

Assistenza

- **Far riparare l'elettrodomestico solo ed esclusivamente da personale specializzato utilizzando solo pezzi di ricambio originali.** Questo garantirà che sia salvaguardata la sicurezza dell'elettrodomestico.
- **Non riparare mai le batterie danneggiate.** Gli interventi sulle batterie dovrebbe essere eseguito solo dal produttore o da centri assistenza autorizzati.

Impiegare sempre il buon senso.

Non è possibile coprire tutte le situazioni immaginabili che potreste affrontare. Prestare sempre attenzione e usare il buon senso. Evitate tutte le situazioni che ritenete essere superiori alle vostre capacità. Se dopo aver letto le presenti istruzioni avete ancora dubbi in merito alle procedure operative, rivolgetevi a un esperto prima di continuare.



AVVERTENZA: non consentire mai a bambini di utilizzare la macchina o avvicinarsi a essa. Data l'estrema facilità di avviamento della macchina, i bambini potrebbero essere in grado di avviarla se non sorvegliati. Sussiste il rischio di gravi lesioni personali. Quindi scollegare la batteria quando la macchina è lasciata incustodita.

Istruzioni di sicurezza generali



AVVERTENZA: Leggere le seguenti avvertenze prima di utilizzare il prodotto.

- Rimuovere la batteria per evitare che il prodotto venga azionato accidentalmente.
- Questo prodotto è uno strumento pericoloso se non si presta attenzione o se si utilizza il prodotto in modo errato. Il prodotto può causare gravi lesioni o morte dell'operatore o altre persone.
- Non utilizzare il prodotto se è stato modificato in qualche modo rispetto alle specifiche iniziali. Non sostituire una parte del prodotto senza previa approvazione del produttore. Utilizzare solo

parti approvate dal produttore. Una manutenzione impropria può causare lesioni o la morte.

- Eseguire il controllo del prodotto prima dell'utilizzo. Vedere, *Controlli prima dell'avviamento alla pagina 251* e *Prima di utilizzare il prodotto alla pagina 259*. Non utilizzare un prodotto danneggiato o che non funzioni correttamente. Eseguire i controlli di sicurezza e attenersi alle istruzioni di manutenzione e riparazione riportate nel presente manuale.
- I bambini devono essere sorvegliati per evitare che giochino con il prodotto. Non consentire mai l'uso e la manutenzione del prodotto a bambini o a persone non qualificate e non lasciare la batteria collegata. Verificare l'esistenza di norme locali che fissano l'età minima dell'utilizzatore.
- Conservare il prodotto in un'area chiusa a chiave per impedire l'accesso a bambini o persone non autorizzate.
- Conservare il prodotto fuori dalla portata dei bambini.
- Evitare assolutamente di modificare la versione originale del prodotto senza l'autorizzazione del fabbricante. Utilizzare sempre accessori originali. Modifiche e/o accessori non autorizzati possono causare gravi lesioni personali o mortali all'operatore o a terzi.

Nota: La normativa nazionale o locale può regolarne l'utilizzo. Assicurare la conformità alla normativa in vigore.

Istruzioni di sicurezza per l'utilizzo



AVVERTENZA: Leggere le seguenti avvertenze prima di utilizzare il prodotto.

- **Evitare di utilizzare la macchina in condizioni climatiche sfavorevoli, soprattutto quando vi è il rischio di fulmini.** Ciò riduce il rischio di essere colpiti da un fulmine.
- **Ispezionare attentamente l'area in cui la macchina deve essere utilizzata per verificare la presenza di fauna selvatica.** Durante l'utilizzo, la macchina potrebbe causare lesioni alla fauna selvatica.
- **Ispezionare attentamente l'area in cui la macchina deve essere utilizzata e rimuovere sassi, bastoncini, cavi, ossa e qualsiasi altro oggetto estraneo.** Gli oggetti proiettati possono causare lesioni gravi.
- **Prima di utilizzare la macchina, effettuare sempre un controllo visivo per verificare che il tagliente e il gruppo tagliente non siano danneggiati.** Le parti danneggiate aumentano il rischio di lesioni.
- **Mantenere le protezioni in posizione. Le protezioni devono essere in buone condizioni e montate correttamente.** Una protezione allentata, danneggiata o non correttamente funzionante può provocare lesioni personali.
- **Tenere i detriti lontano dalle prese d'aria di raffreddamento.** L'ostruzione delle prese d'aria e i detriti possono causare surriscaldamento o rischio di incendio.
- **Indossare protezioni per gli occhi e per l'udito.** I dispositivi di protezione adeguati riducono le lesioni personali.
- **Durante l'utilizzo della macchina indossare sempre calzature antiscivolo e protettive. Non utilizzare la macchina a piedi nudi o indossando sandali aperti.** In questo modo si riduce il rischio di lesioni ai piedi dovute al contatto con il tagliente in movimento.
- **Indossare sempre indumenti, ad esempio pantaloni, che coprono le gambe dell'operatore durante l'utilizzo della macchina.** Il contatto con il tagliente o il filo in movimento può causare lesioni.
- **Tenere lontani i presenti mentre si utilizza la macchina.** I detriti lanciati possono provocare gravi lesioni personali.
- **Non utilizzare la macchina a un'altezza superiore a quella della vita.** Ciò aiuterà a impedire il contatto accidentale con il tagliente, consentendo un controllo migliore della macchina in situazioni impreviste.
- **Prestare attenzione quando si utilizza la macchina su erba bagnata. Procedere adagio, non correre.** In questo modo si riduce il rischio di scivolamento e caduta con conseguenti lesioni personali.
- **Non utilizzare la macchina su pendenze eccessivamente ripide.** In questo modo si riduce il rischio di perdita di controllo, scivolamento e caduta con conseguenti lesioni personali.
- **Quando si lavora su pendii, accertarsi sempre di avere una posizione stabile, lavorare sempre trasversalmente lungo i pendii, mai su o giù e prestare la massima attenzione quando si cambia direzione.** In questo modo si riduce il rischio di perdita di controllo, scivolamento e caduta con conseguenti lesioni personali.
- **Tenere tutti i cavi di alimentazione lontano dall'area di taglio.** I cavi di alimentazione potrebbero essere nascosti nelle siepi o nei cespugli ed essere tagliati accidentalmente dal filo o dal tagliente.
- **Tenere le parti del corpo lontane dal tagliente o dal filo del trimmer. Non rimuovere il materiale dalla macchina fino a quando non è stata scollegata dalla fonte di alimentazione.** Il tagliente o il filo in movimento del trimmer possono causare gravi lesioni personali.
- **Trasportare la macchina dopo averla spenta e tenendola lontana dal corpo.** La corretta movimentazione della macchina riduce il rischio di contatto accidentale con il tagliente o il filo in movimento del trimmer.
- **Utilizzare solo teste di taglio e taglienti o fili del trimmer di ricambio specificati dal produttore. Non sostituire i taglienti o i fili del trimmer con fili o lame in metallo.** Parti di ricambio non corrette possono causare perdita di controllo, rotture e lesioni.

Dispositivi di protezione individuale



AVVERTENZA: Leggere le seguenti avvertenze prima di utilizzare il prodotto.

- Usare sempre abbigliamento protettivo personale omologato quando si utilizza il prodotto. L'uso di abbigliamento protettivo personale non elimina il rischio di lesioni, ma ne riduce la gravità in caso di incidente. Farsi consigliare dal rivenditore per la scelta dell'attrezzatura adatta.
- Usare cuffie protettive omologate.

(Fig. 21)

- Utilizzare protezioni per gli occhi omologate. Con l'uso della visiera è necessario anche l'uso di occhiali protettivi omologati. Con il termine occhiali protettivi omologati si intendono occhiali che siano conformi alle norme ANSI Z87.1 per gli USA o EN 166 per i paesi EU.

(Fig. 22)

- Indossare guanti ove necessario, ad esempio per montare, ispezionare o pulire l'attrezzatura di taglio.

(Fig. 23)

- Usare stivali protettivi con calotta in acciaio e suole antiscivolo.

(Fig. 24)

- Indossare indumenti di tessuto resistente. Indossare sempre pantaloni lunghi e pesanti e maniche lunghe. Non indossare indumenti larghi che potrebbero impigliarsi nei ramoscelli e nei rami. Non utilizzare gioielli, pantaloni corti o sandali. Non rimanere a piedi nudi. Raccogliere i capelli in modo sicuro sopra le spalle.
- Tenere a portata di mano la cassetta di primo soccorso.

(Fig. 25)

Dispositivi di sicurezza sul prodotto



AVVERTENZA: Leggere le seguenti avvertenze prima di utilizzare il prodotto.

In questo capitolo vengono presentati i dispositivi di sicurezza del prodotto, la loro funzione, il controllo e la manutenzione necessari per assicurarne una funzione ottimale. Vedere le istruzioni alla sezione *Introduzione alla pagina 249* per individuare la posizione di queste parti sul prodotto.

La durata del prodotto può ridursi e il rischio di incidenti aumentare se la manutenzione non viene eseguita correttamente e se l'assistenza e/o le riparazioni non vengono effettuate da personale qualificato. Per ulteriori informazioni, contattare il rivenditore con assistenza più vicino.



AVVERTENZA: Non utilizzare mai un prodotto con dispositivi di sicurezza danneggiati. I dispositivi di sicurezza di sicurezza del prodotto vanno controllati e sottoposti a manutenzione secondo quanto descritto in questo capitolo. Se il prodotto non supera tutti i controlli, contattare un'officina per le necessarie riparazioni.



ATTENZIONE: Tutte le riparazioni e l'assistenza della macchina vanno eseguite da personale specializzato. Quanto detto vale in particolare per i dispositivi di sicurezza della macchina. Se la macchina non supera tutti i controlli sottoelencati, contattare l'officina autorizzata. L'acquisto di uno dei nostri prodotti garantisce l'assistenza di personale qualificato. Se non avete acquistato la macchina presso un rivenditore con centro di assistenza, informatevi sull'ubicazione della più vicina officina autorizzata.

Controllo dell'interfaccia utente

I LED verdi (A) mostrano lo stato della batteria quando il prodotto è acceso ma non in funzione.

1. Tenere premuto il pulsante On/Off (B). (Fig. 26)
 - a) Il prodotto è acceso quando i LED verdi (A) si accendono.
 - b) Il prodotto è disattivato quando i LED verdi si spengono.
2. Fare riferimento a *Ricerca guasti alla pagina 262* se la spia di avvertenza (C) si accende o lampeggia.

Controllo del fermo della leva comando

Il fermo della leva comando previene l'attivazione accidentale. Quando si preme il fermo della leva comando (A), la leva comando (B) viene rilasciata. Rilasciando l'impugnatura, la leva comando e il fermo della leva comando ritornano entrambi alle posizioni iniziali.

(Fig. 27)

1. Controllare che la leva comando sia bloccata quando il fermo si trova nella posizione iniziale.

(Fig. 28)

2. Premere la leva comando e accertarsi che ritorni nella posizione iniziale quando viene rilasciata.

(Fig. 29)

- Controllare che la leva comando e il fermo si muovano liberamente e che la molla di ritorno funzioni correttamente.

(Fig. 30)

- Avviare il prodotto. Fare riferimento a *Avviamento del prodotto alla pagina 260*.
- Rilasciare la leva comando e assicurarsi che il gruppo di taglio si arresti.

Controllo della protezione del gruppo di taglio



AVVERTENZA: Non utilizzare un gruppo di taglio senza che sia stata montata un'apposita protezione approvata e fissata correttamente. Usare sempre la protezione del gruppo di taglio consigliata per il gruppo di taglio utilizzato, vedere *Dati tecnici alla pagina 264*. Il montaggio di una protezione del gruppo di taglio inadeguata o difettosa può provocare gravi lesioni personali.

La protezione del gruppo di taglio impedisce che gli oggetti vengano scagliati in direzione dell'operatore. Inoltre, la protezione del gruppo di taglio impedisce eventuali lesioni nel caso in cui si venga a contatto con il gruppo di taglio.

- Arrestare il motore.
- Eseguire un controllo visivo per verificare l'eventuale presenza di danni, ad esempio incrinature.
- Se danneggiata, sostituire la protezione del gruppo di taglio.

Attrezzatura di taglio

Selezionare l'attrezzatura di taglio corretta ed eseguire la manutenzione per:

- Ottenere le migliori prestazioni di taglio.
- Aumentare la durata dell'attrezzatura di taglio.



AVVERTENZA: Usare solo gruppi di taglio abbinati ai tipi di protezione da noi raccomandati! Vedere *Dati tecnici alla pagina 264*. Per un corretto montaggio del filo di taglio del trimmer e per la scelta di un filo del diametro adatto, vedere le istruzioni per il gruppo di taglio.



AVVERTENZA: Un gruppo di taglio difettoso può aumentare il rischio di incidenti.

Testina portafilo



AVVERTENZA: Accertarsi sempre che il filo di taglio sia ben avvolto attorno al tamburo per evitare vibrazioni dannose.

(Fig. 31)

- Utilizzare esclusivamente le testine portafilo e i fili di taglio consigliati.
- Utilizzare esclusivamente i gruppi di taglio consigliati.
- Una macchina piccola richiede una testina portafilo piccola e viceversa.
- La lunghezza del filo di taglio è importante. A parità di diametro, un filo più lungo richiede una maggiore potenza del motore rispetto a uno corto.
- Assicurarsi che il tagliente situato sulla protezione parasassi sia intatto. In questo modo, si taglia il filo alla lunghezza giusta.
- Per prolungarne la durata, immergere il filo in acqua per un paio di giorni prima dell'utilizzo.

Sicurezza batterie



AVVERTENZA: Leggere tutte le istruzioni generali e di sicurezza. La mancata osservanza delle istruzioni generali e di sicurezza può dare luogo a scosse elettriche, incendi e/o gravi lesioni. **Conservare tutte le informazioni sulla sicurezza e le istruzioni generali per riferimento futuro.**

- Queste istruzioni di sicurezza si applicano solo alle batterie ricaricabili agli ioni di litio da 18 V per il sistema POWER FOR ALL.
- Utilizzare la batteria ricaricabile solo nei prodotti dei partner del sistema POWER FOR ALL. Le batterie ricaricabili da 18 V etichettate con la dicitura POWER FOR ALL sono completamente compatibili con i seguenti prodotti:
 - Tutti i prodotti del sistema a batteria POWER FOR ALL da 18 V.
 - Tutti i prodotti da 18 V dei partner del sistema POWER FOR ALL.
- Attenersi alle raccomandazioni sulla batteria riportate nel manuale d'uso del prodotto. Solo in questo modo è possibile utilizzare la batteria ricaricabile e il prodotto senza pericolo e proteggere le batterie ricaricabili da sovraccarichi pericolosi.
- Caricare le batterie utilizzando esclusivamente i caricabatterie consigliati dal produttore o dai partner del sistema POWER FOR ALL. Un caricabatterie adatto a un tipo di batteria può comportare un rischio di incendio se viene utilizzato con una batteria diversa.
- La batteria in dotazione è parzialmente carica. Per assicurare la piena capacità della batteria, caricare

completamente la batteria con il caricabatterie prima di utilizzare l'utensile per la prima volta.

- **Tenere le batterie fuori dalla portata dei bambini.**
- **Non aprire la batteria.** C'è il rischio di un cortocircuito.
- **In caso di danneggiamento e uso improprio della batteria, potrebbero essere emessi vapori. La batteria potrebbe infiammarsi o esplodere.**
Assicurarsi che l'area sia ben ventilata e rivolgersi a un medico in caso di effetti avversi. I vapori possono irritare il sistema respiratorio.
- **Se il prodotto viene utilizzato in modo errato o se la batteria è danneggiata, potrebbe fuoriuscire liquido infiammabile dalla batteria. Evitare il contatto con questo liquido. Qualora il contatto avvenisse, lavare con acqua. Se il liquido entra in contatto con gli occhi, consultare un medico.** Il liquido fuoriuscito dalla batteria potrebbe causare irritazioni o ustioni.
- **Se la batteria è danneggiata, il liquido può essere espulso e coprire le superfici circostanti. Controllare le parti interessate.** Pulire queste parti o cambiarle se necessario.
- **Non provocare il corto circuito della batteria. Quando la batteria non viene utilizzata, tenerla lontana da altri oggetti metallici, come graffette, monete, chiavi, chiodi, viti o altri piccoli oggetti metallici che potrebbero consentire il collegamento tra i terminali.** Provocare il cortocircuito dei terminali della batteria potrebbe causare ustioni o provocare un incendio.
- **La batteria può essere danneggiata da oggetti appuntiti come chiodi o cacciaviti o applicando forza esternamente.** Potrebbe verificarsi un cortocircuito interno, con conseguente incendio, fumo, esplosione o surriscaldamento della batteria.
- **Non riparare mai le batterie danneggiate.** Gli interventi sulle batterie dovrebbe essere eseguito solo dal produttore o da centri assistenza autorizzati.
- **Proteggere la batteria dal calore, ad esempio da luce solare intensa continua, fuoco, sporcizia, acqua e umidità.** C'è il rischio di esplosione e cortocircuito.
- **Utilizzare la batteria nel prodotto esclusivamente quando la temperatura ambiente è compresa nell'intervallo -5 °C — 40 °C.**
- **Conservare la batteria solo a una temperatura ambiente compresa nell'intervallo -20 °C — 50 °C.** Ad esempio, non lasciare la batteria nell'auto in estate. A temperature < 0 °C, per alcuni dispositivi potrebbero verificarsi perdite di potenza.
- **Caricare la batteria solo a una temperatura ambiente compresa tra 0 °C — 35 °C.** La ricarica al di fuori di questo intervallo di temperatura può aumentare il rischio di danni alla batteria e costituire un pericolo di incendio.

Sicurezza del caricabatterie



AVVERTENZA: Leggere tutte le istruzioni generali e di sicurezza. La mancata osservanza delle istruzioni generali e di sicurezza può dare luogo a

scosse elettriche, incendi e/o gravi lesioni.

Conservare queste istruzioni in un luogo sicuro. Utilizzare il caricabatterie solo se è possibile controllare tutte le funzioni ed eseguirle senza limitazioni o se sono state ricevute le istruzioni corrispondenti.

- **Tenere sotto controllo i bambini durante l'uso, la pulizia e la manutenzione.** In questo modo i bambini non giocheranno con il caricatore.
- **Caricare solo batterie agli ioni di litio del sistema da 18 V POWER FOR ALL con una capacità di 1.5 Ah o superiore (5 celle o più). La tensione della batteria deve corrispondere alla tensione indicata sul caricabatterie. Non ricaricare batterie non ricaricabili.** Altrimenti, vi è il rischio di incendio o esplosione.
- **Non esporre il caricabatterie a pioggia o umidità.** L'ingresso di acqua in un elettrotensile fa aumentare il rischio di scosse elettriche.
- **Tenere pulito il caricabatterie.** La sporcizia alimenta il rischio di scosse elettriche.
- **Controllare sempre il caricabatterie, il cavo e la spina prima dell'uso. In caso di danni, interrompere l'utilizzo del caricabatterie. Non aprire il caricabatterie da soli e farlo riparare solo da un tecnico qualificato utilizzando solo parti di ricambio originali.** Caricabatterie, cavi e spine danneggiati aumentano il rischio di scosse elettriche.
- **Non utilizzare il caricabatterie su una superficie facilmente infiammabile (ad esempio carta, tessuti, ecc.) o in un ambiente infiammabile.** Rischio di incendio dovuto al riscaldamento del caricabatteria durante il funzionamento.
- **Ricaricare l'attrezzo esclusivamente utilizzando il caricabatterie specificato dal produttore.** L'utilizzo di un caricabatterie indicato per un altro tipo di batteria potrebbe provocare rischio di incendio.
- **In caso di danneggiamento e uso improprio della batteria, potrebbero anche essere emessi vapori.** Assicurarsi che l'area sia ben ventilata e rivolgersi a un medico in caso di effetti avversi. I vapori possono irritare il sistema respiratorio.
- **In condizioni non ottimali, la batteria potrebbe perdere liquido. Evitare il contatto con questo liquido. Qualora il contatto avvenisse, lavare con acqua. Se il liquido entra in contatto con gli occhi, consultare un medico.** Il liquido fuoriuscito dalla batteria potrebbe causare irritazioni o ustioni.
- **Non coprire le aperture di ventilazione del caricabatterie.** In caso contrario, il caricabatterie potrebbe surriscaldarsi e non funzionare più correttamente.
- **Per evitare rischi sulla sicurezza, qualora il cavo di alimentazione debba essere sostituito, rivolgersi a Husqvarna o ad un centro assistenza autorizzato alla riparazione di utensili elettrici Husqvarna.**
- **Prodotti venduti solo nel Regno Unito:** Il prodotto è dotato di una spina elettrica approvata BS 1363/a con fusibile interno (approvazione ASTA secondo BS 1362). Se la spina non è adatta per le prese

elettriche in uso, è necessario staccarla e sostituirla con una corretta da parte di un addetto all'assistenza clienti autorizzato. La spina di ricambio deve avere lo stesso amperaggio del fusibile della spina originale. La spina staccata deve essere smaltita per evitare un possibile pericolo di scosse elettriche e non deve mai essere inserita in una presa di corrente diversa.



AVVERTENZA: Rischio di arresto cardiaco! Durante il funzionamento, questo prodotto genera un campo elettromagnetico, che in determinate condizioni può interferire con impianti medici attivi o passivi. Per ridurre il rischio di condizioni che possono implicare lesioni personali gravi o mortali, i portatori di tali impianti devono consultare il proprio medico e il produttore dell'impianto prima di utilizzare questo apparecchio.



AVVERTENZA: Rischio di soffocamento! I componenti più piccoli dell'apparecchio potrebbero essere ingeriti. Inoltre, c'è il rischio che il sacchetto in plastica soffochi i bambini. Al momento del montaggio del prodotto, tenere i bambini a distanza.

Istruzioni di sicurezza per la manutenzione



AVVERTENZA: Leggere le seguenti avvertenze prima di eseguire la manutenzione del prodotto.

- Rimuovere la batteria prima di eseguire la manutenzione, altri controlli o montare il prodotto.
- L'operatore deve eseguire solo gli interventi di manutenzione e assistenza indicati in questo manuale operatore. Rivolgersi al Centro di assistenza di competenza per interventi di manutenzione e assistenza più importanti.
- Non pulire la batteria o il caricabatteria con acqua. Detergenti aggressivi possono causare danni alla plastica.
- Se non si esegue la manutenzione, si riduce il ciclo di vita del prodotto e aumenta il rischio di incidenti.
- È necessaria una formazione specifica per eseguire tutti gli interventi di manutenzione e lavori di riparazione, in particolare per i dispositivi di sicurezza del prodotto. Se non vengono approvati tutti i controlli descritti nel presente manuale operatore, dopo aver eseguito la manutenzione, contattare il Centro di assistenza. La nostra azienda garantisce la disponibilità di personale qualificato per le riparazioni e l'assistenza del prodotto.
- Utilizzare unicamente ricambi originali.

Montaggio

Introduzione



AVVERTENZA: Leggere e comprendere il capitolo sulla sicurezza prima di montare il prodotto.

Montaggio della protezione parasassi

1. Posizionare la protezione parasassi contro l'alloggiamento del motorino. (Fig. 32)
2. Montare i 2 bulloni attraverso l'alloggiamento del motorino e la protezione parasassi. (Fig. 33)
3. Serrare i bulloni.

Montaggio della testina portafilo

1. Ruotare l'albero in uscita fino a quando il foro del menabrida non si allinea con il foro della scatola ingranaggi.
2. Inserire nel foro lo strumento combinato per bloccare l'albero.

3. Ruotare la testina portafilo in senso orario. (Fig. 34)

Montaggio dell'archetto di protezione per le piante

1. Montare l'archetto di protezione per le piante nei fori sull'alloggiamento del motorino. (Fig. 35)
2. Assicurarsi che la protezione delle piante possa muoversi liberamente in avanti e all'indietro. (Fig. 36)

Installazione del gancio a parete

- Installare il gancio in un ambiente interno.
- Tenere il gancio lontano dalla luce solare e a una temperatura ambiente compresa tra -10°C e 70°C.
- Montare il gancio su una parete in cartongesso, legno o cemento.



ATTENZIONE: Assicurarsi che la parete possa sostenere carichi di almeno 30 kg.

- Installare il gancio alla parete con le 3 viti (A). Se necessario, utilizzare i tasselli (B). (Fig. 37)



ATTENZIONE: Assicurarsi che le viti siano adatte al tipo di parete.

Utilizzo

Introduzione



AVVERTENZA: Leggere e comprendere il capitolo sulla sicurezza prima di utilizzare la macchina.

Prima di utilizzare il prodotto

- Esaminare l'area di lavoro per accertarsi di conoscere il tipo di terreno. Esaminare la pendenza del terreno e verificare se sono presenti ostacoli, quali pietre, rami e fossati.
- Effettuare un'ispezione visiva generale del prodotto.
- Eseguire i controlli di sicurezza, manutenzione e assistenza indicati nel presente manuale.
- Controllare che il motore non sia sporco o danneggiato. Utilizzare una spazzola per pulire il motore da erba e foglie. Usare i guanti se necessario.
- Esaminare la testina portafilo e la protezione del gruppo di taglio per rilevare eventuali danni o incrinature. Sostituire la testina portafilo e la protezione del gruppo di taglio nel caso in cui siano stati colpiti o se presentano incrinature.
- Assicurarsi che i dadi e le viti siano serrati correttamente.
- Accertarsi che tutti i coperchi, le protezioni, le maniglie e l'attrezzatura di taglio siano collegati correttamente e non siano danneggiati prima di avviare il prodotto.

Batteria



AVVERTENZA: Prima di utilizzare la batteria, leggere e comprendere il capitolo sulla sicurezza. È inoltre importante leggere e comprendere il manuale operatore della batteria e del caricabatterie.

Mantenere la batteria e il caricabatteria a una temperatura ambiente adeguata.

	Temperatura ambiente
Funzionamento della batteria del prodotto	-5 °C — 40 °C
Caricamento della batteria	0 °C — 35 °C

- Contattare la propria officina Husqvarna per informazioni sugli accessori per lo stoccaggio disponibili per il prodotto.

Ricarica della batteria

Caricare la batteria prima del primo utilizzo.

Nota: la batteria non si carica se la sua temperatura è superiore a +35 °C.

1. Collegare il cavo di alimentazione del caricabatteria ad una presa di corrente con messa a terra.



ATTENZIONE: Assicurarsi che la tensione e la frequenza dell'alimentazione di rete siano corrette.

2. Inserire la batteria nel caricabatteria. La batteria è collegata al caricabatteria quando il LED verde lampeggia. (Fig. 38)
3. La batteria è completamente carica quando il LED verde sul caricabatteria è acceso. Caricare la batteria per massimo 24 ore.
4. Scollegare il caricabatteria dalla presa di corrente.



ATTENZIONE: Non tirare il cavo di alimentazione.

5. Rimuovere la batteria dal caricabatteria.

LED di stato della batteria sul caricabatteria

Il LED rosso (A) e il LED verde (B) sul caricabatteria mostrano lo stato della batteria. Fare riferimento a *LED di stato della batteria sul prodotto alla pagina 260*.

(Fig. 39)

LED	Stato della batteria
Il LED verde lampeggia rapidamente.	La batteria si sta ricaricando.
Il LED verde lampeggia lentamente	La carica della batteria è all'80%.
Il LED verde è acceso.	La batteria è completamente carica.
Il LED rosso è acceso.	Fare riferimento a <i>LED di stato della batteria sul prodotto alla pagina 260</i> .

LED	Stato della batteria
Il LED rosso lampeggia rapidamente.	Fare riferimento a <i>LED di stato della batteria sul prodotto alla pagina 260.</i>

LED di stato della batteria sul prodotto

Quando la batteria è installata nel prodotto, i LED sul prodotto mostrano lo stato della batteria.

(Fig. 40)

LED	Stato della batteria
I LED 1, 2 e 3 sono accesi.	Completamente carica.
I LED 1 e 2 sono accesi.	Carica sufficiente
LED 1 acceso.	La potenza della batteria è bassa.
Il LED 1 lampeggia	La batteria è scarica. L'indicatore di stato della batteria lampeggia. Caricare la batteria. Fare riferimento a <i>Ricarica della batteria alla pagina 259.</i>

Collegamento della batteria al prodotto



AVVERTENZA: Utilizzare la batteria solo con prodotti del sistema POWER FOR ALL da 18 V.

1. Verificare che la batteria sia completamente carica.
2. Far scorrere la batteria nel supporto della batteria del prodotto. La batteria deve scorrere facilmente nel vano. In caso contrario, non è installata correttamente.

(Fig. 41)

3. La batteria si blocca in posizione quando si percepisce un clic.

Avviamento del prodotto

1. Tenere premuto il pulsante On/Off fino all'accensione del LED verde. (Fig. 42)
2. Premere la leva comando e il relativo fermo. L'attrezzatura di taglio inizia a ruotare.

Regolazione dell'impugnatura ad anello e dell'asta telescopica

1. Premere il pulsante di regolazione dell'impugnatura ad anello.
(Fig. 43)
2. Regolare l'impugnatura ad anello ad un'angolazione adatta.
3. Rilasciare il pulsante di regolazione dell'impugnatura ad anello.
4. Allentare la leva sull'albero. (Fig. 44)
5. Impostare la lunghezza necessaria sull'albero.
6. Chiudere la leva e serrare la vite.

Nota: Le due posizioni dell'impugnatura ad anello nella figura seguente sono solo per il trasporto e/o lo stoccaggio.

(Fig. 45)

Funzione di arresto automatico

Il prodotto dispone di una funzione di arresto automatico che lo blocca in caso di mancato utilizzo. Il prodotto si spegne dopo 3 minutes.

Utilizzo del prodotto

Potatura dell'erba

1. Mantenere la testina portafilo a poca distanza dal terreno ed angolarla. Non spingere il filo di taglio nell'erba. (Fig. 46)
2. Ridurre la lunghezza del filo di taglio di 8-10 cm.

Sfoltimento erba

1. Mantenere la testina portafilo sopra il terreno.
2. Inclinare la testina portafilo.
3. Eseguire il taglio con l'estremità del filo del trimmer intorno agli oggetti presenti nell'area di lavoro.



ATTENZIONE: Taglio dell'erba. Altri oggetti colpiti dal filo del trimmer ne aumentano l'usura.

Taglio dell'erba

1. Assicurarsi che il filo di taglio sia parallelo al terreno durante il taglio dell'erba. (Fig. 47)
2. Non spingere la testina portafilo a terra. Ciò può causare danni al prodotto.
3. Spostare il prodotto da un lato all'altro quando si taglia l'erba. (Fig. 48)

Rimozione dell'erba

Il flusso d'aria del filo di taglio in rotazione può essere utilizzato per rimuovere erba tagliata da un'area.

1. Mantenere la testina portafilo e il filo di taglio paralleli al terreno e sopra di esso.
2. Spostare la testina portafilo da un lato all'altro e spazzare via l'erba.



AVVERTENZA: Pulire il coperchio della testina portafilo ogni volta che si monta un nuovo filo di taglio per prevenire lo sbilanciamento e le vibrazioni delle impugnature. Eseguire un controllo delle

altre parti della testina portafilo e pulirla, se necessario.

Arresto del prodotto

1. Rilasciare la leva comando e il fermo della leva comando.
2. Premere il pulsante on/off fino a quando il LED verde non si spegne.
3. Premere il pulsante di rilascio sulla batteria ed estrarre la batteria dal prodotto. (Fig. 49)

Sostituzione del filo del trimmer

Fare riferimento all'ultima pagina del presente manuale per l'operatore.

Manutenzione

Introduzione



AVVERTENZA: Leggere attentamente il capitolo sulla sicurezza prima di eseguire la manutenzione del prodotto.

Programma di manutenzione



AVVERTENZA: Rimuovere la batteria prima di eseguire la manutenzione.

Qui di seguito è disponibile una lista delle operazioni di manutenzione da eseguire sul prodotto. Per ulteriori informazioni, vedere *Manutenzione alla pagina 261*.

Manutenzione	Giornaliera	Una volta a settimana	Una volta al mese
Pulire le parti esterne del prodotto con un panno asciutto. Non utilizzare acqua.	X		
Controllare che il pulsante di avvio/arresto funzioni correttamente e sia integro.	X		
Assicurarsi che il fermo della leva comando e la leva comando funzionino correttamente e in modo sicuro.	X		
Accertarsi che tutti i comandi funzionino e non siano danneggiati.	X		
Mantenere le impugnature asciutte, pulite e prive di olio e grasso.	X		
Assicurarsi che il gruppo di taglio non sia danneggiato. Se danneggiato, sostituire il gruppo di taglio.	X		
Accertarsi che la protezione del gruppo di taglio non sia danneggiata. Se danneggiata, sostituire la protezione del gruppo di taglio.	X		
Assicurarsi che i dadi e le viti siano serrati a fondo.	X		
Accertarsi che i pulsanti di rilascio sulla batteria funzionino e che tengano la batteria bloccata nel prodotto.	X		
Verificare che il caricabatterie sia integro e funzioni correttamente.	X		
Verificare che la batteria non sia danneggiata.	X		
Verificare che la batteria sia carica.	X		
Verificare che il caricabatterie non sia danneggiato.	X		

Manutenzione	Giornaliera	Una volta a settimana	Una volta al mese
Esaminare tutti i cavi, gli accoppiamenti e i raccordi. Verificare che siano integri e privi di sporcizia.		X	
Effettuare un controllo dei collegamenti tra la batteria e il prodotto. Controllare il collegamento tra la batteria e il caricabatterie.			X

Controllo della batteria e del caricabatterie

1. Controllare se la batteria presenta danni, ad esempio incrinature.
2. Controllare se il caricabatterie presenta danni, ad esempio incrinature.
3. Verificare che il cavo di collegamento del caricabatterie non sia danneggiato e che non presenti crepe.

Per pulire il prodotto, la batteria e il caricabatterie

1. Pulire il prodotto con un panno asciutto dopo l'uso.
2. Pulire la batteria e il caricabatterie con un panno asciutto. Mantenere puliti i binari guida della batteria.
3. Assicurarsi che i morsetti della batteria e il caricabatterie siano puliti prima di posizionare la batteria nel caricabatterie o nel prodotto.

Ispezione e sostituzione della testina portafilo

1. Controllare se la testina portafilo è danneggiata o se presenta incrinature.
2. Ruotare l'albero in uscita fino a quando il foro del menabrida non si allinea con il foro della scatola ingranaggi.
3. Inserire nel foro lo strumento combinato per bloccare l'albero.
4. Ruotare la testina portafilo in senso antiorario.

(Fig. 50)

5. Sostituire la testina portafilo.
6. Montare la testina portafilo. Fare riferimento a *Montaggio della testina portafilo alla pagina 258*.

Ricerca guasti

Interfaccia utente

Problema	Possibili guasti	Soluzione possibile
Il LED verde di avvio lampeggia.	La tensione della batteria è bassa.	Caricare la batteria.
Il LED rosso di errore lampeggia.	Sovraccarico.	Il gruppo di taglio non può muoversi liberamente. Rilasciare il gruppo di taglio.
	Deviazione di temperatura.	Lasciare che il prodotto si raffreddi.
	La leva comando e il pulsante avvio vengono premuti contemporaneamente.	Rilasciare la leva comando e premere il pulsante avvio.
Il LED verde e il LED rosso lampeggiano in modo alternato.	La batteria è scarica.	Caricare la batteria.
	La batteria è danneggiata.	Contattare il centro di assistenza.

Caricabatteria

LED del caricabatterie	Causa	Soluzione
Il LED verde è acceso e il LED rosso lampeggia.	La batteria non è inserita correttamente nel caricabatterie.	Staccare la batteria dal caricabatteria e collegarla nuovamente al caricabatteria.
	I connettori della batteria sono sporchi.	Pulire i connettori della batteria.
	La temperatura ambiente è troppo alta o troppo bassa.	Utilizzare il caricabatterie a una temperatura compresa nell'intervallo 0 °C – +35 °C.
	La batteria è difettosa.	Sostituire la batteria.
Il LED verde e il LED rosso sono spenti.	Il caricabatterie non è collegato correttamente alla presa di corrente.	Collegare il caricabatterie a una presa di rete.
	Presa di alimentazione difettosa.	Collegare il caricabatterie alla tensione e alla frequenza indicate sulla targhetta dati di funzionamento.
	Il cavo del caricabatterie è difettoso.	Rivolgersi a un tecnico dell'assistenza autorizzato.
	Il caricabatterie è difettoso.	
Altri errori.	Se si verificano altri errori, assicurarsi che il prodotto sia spento, rimuovere la batteria e rivolgersi a un centro di assistenza autorizzato.	

Trasporto, stoccaggio e smaltimento

Trasporto e stoccaggio

- Le batterie agli ioni di litio in dotazione rispettano i requisiti di legge sulle merci pericolose.
- Rispettare i requisiti speciali riportati sulla confezione e sulle etichette per il trasporto commerciale, compreso quello effettuato da terzi e da corrieri.
- Parlare con personale che ha seguito una formazione specifica in materiali pericolosi prima di inviare il prodotto. Rispettare tutte le norme nazionali vigenti.
- Quando si inserisce la batteria in un contenitore, applicare del nastro adesivo sui contatti aperti. Inserire la batteria nel contenitore in modo da garantirne la massima aderenza.
- Rimuovere la batteria per la conservazione o il trasporto.
- Conservare la batteria e il caricabatterie in un luogo asciutto, privo di umidità e protetto dal gelo.
- Non conservare la batteria in aree elettricamente statiche. Non conservare mai la batteria in una scatola di metallo.
- Durante il rimessaggio, conservare la batteria in un luogo dove la temperatura è compresa tra -20 °C/-4 °F e +50 °C/122 °F e lontano da luce solare.
- Durante il rimessaggio, conservare il caricabatterie in un luogo dove la temperatura è compresa tra 5 °C/41 °F e 45 °C/113 °F e lontano da luce solare.
- Stoccare il prodotto a una temperatura compresa fra -40 °C/-40 °F e 25 °C/140 °F.
- Utilizzare il caricabatterie soltanto quando la temperatura circostante è compresa tra 0 °C/32 °F e 35 °C/95 °F.
- Caricare la batteria dal 30% al 50% prima di immagazzinarla per lunghi periodi.
- Conservare il caricabatterie in un luogo chiuso e asciutto.
- Tenere la batteria lontano dal caricabatterie durante il rimessaggio. Non lasciare che i bambini e altre persone non autorizzate tocchino l'attrezzatura. Mantenere le attrezzature in un luogo che è possibile chiudere.
- Pulire il prodotto ed eseguire una manutenzione completa prima di conservarlo per lunghi periodi.
- Utilizzare la protezione di trasporto sul prodotto per evitare che si danneggi durante il trasporto e il rimessaggio.
- Bloccare il prodotto in modo sicuro durante il trasporto.

- Riporre il prodotto in posizione orizzontale o appenderlo all'apposito gancio. Fare riferimento a *Installazione del gancio a parete alla pagina 258*.

(Fig. 51)

Smaltimento della batteria, del caricabatterie e del prodotto

Il simbolo seguente indica che il prodotto non è un rifiuto domestico. Riciclarlo in una stazione di

riciclaggio per apparecchiature elettriche ed elettroniche. Ciò contribuisce ad evitare danni all'ambiente e alle persone.

Per maggiori informazioni contattare le autorità locali, il servizio per rifiuti domestici o il rivenditore.

(Fig. 18)

Nota: Il simbolo compare sul prodotto o sull'imballaggio.

Dati tecnici

Dati tecnici

	Aspire T28-P4A
Motore	
Tipo di motore	PMDC
Regime albero in uscita, giri/min	6800
Larghezza di taglio, mm	280
Peso	
Peso senza batteria, kg	2,6
Peso con batteria (P4A 18-B45 / P4A 18-B70), kg	3,0/3,3
Emissioni di rumore ³⁷	
Livello di potenza acustica, misurato dB(A)	85
Livello acustico, garantito L _{WA} dB(A)	88
Livelli di rumorosità ³⁸	
Livello di pressione acustica equivalente rispetto all'udito dell'operatore, misurato in base alla norma EN ISO 50636-2-91, dB(A):	73
Livelli di vibrazioni ³⁹	
Livelli di vibrazioni delle impugnature, misurati in base alla norma EN50636-2-91, m/s ²	2,26/1,61
Dotato di testina portafilo (originale), anteriore/posteriore	

³⁷ Emissioni di rumore nell'ambiente misurate come potenza sonora (L_{WA}) in base alla direttiva CE 2000/14/CE. La differenza tra potenza acustica misurata e garantita è che la potenza acustica garantita comprende anche la dispersione nel risultato di misurazione e le variazioni tra diversi prodotti dello stesso modello come da Direttiva 2000/14/CE.

³⁸ I dati riportati per il livello di pressione acustica equivalente del macchinario hanno una dispersione statistica tipica (deviazione standard) di 3 dB (A).

³⁹ I dati riportati per il livello di vibrazioni presentano una dispersione statistica tipica (deviazione standard) di 1,5 m/s².

Batteria	P4A 18-B45	P4A 18-B72
Tipo	Ioni di litio	Ioni di litio
Capacità batteria, Ah	Fare riferimento alla decalcomania dei valori nominali della batteria	Fare riferimento alla decalcomania dei valori nominali della batteria
Tensione nominale, V	18	18
Peso, kg	0,4	0,7

Caricabatterie	P4A 18-C70
Tensione di rete, V	220-240
Frequenza, Hz	50-60
Potenza, W	70
Tensione di uscita, V c.c. / amp, A	14,4-18 / 3

Accessori

Accessori omologati

Accessori omologati	Tipo	Protezione gruppo di taglio n° codice
Testina portafilo	A15B M5 (filo Ø 1,6 mm)	536 47 32-01

Dichiarazione di conformità

Dichiarazione di conformità UE

Husqvarna AB, SE-561 82 Huskvarna, Svezia, tel.:
+46-36-146500, dichiara sotto la propria esclusiva
responsabilità che il prodotto indicato:

Descrizione	Trimmer a batteria
Marchio	Husqvarna
Tipo / Modello	Aspire T28-P4A
Identificazione	Numeri di serie a partire da 2023 e successivi

È pienamente conforme alle seguenti norme e direttive
UE:

Direttiva/Normativa	Descrizione
2006/42/CE	"sulle macchine"
2014/30/UE	"sulla compatibilità elettromagnetica"
2000/14/CE	"sull'emissione di rumore nell'ambiente"
2011/65/UE	"sulla restrizione dell'uso di determinate sostanze pericolose nelle apparecchiature elettriche ed elettroniche"

e che sono applicati gli standard e/o le specifiche
tecniche seguenti: EN 60335-1:2012/A15:2021, EN
50636-2-91:2014, EN IEC 63000:2018, EN IEC
55014-1:2021; EN IEC 55014-2:2021.

Organo competente: 0158 DEKRA Testing and
Certification GmbH, Handwerkstraße 15, 70565
Stuttgart, Germany ha certificato la conformità alla
Direttiva del Consiglio 2000/14/CE, procedura di
valutazione della conformità: Allegato VI

Per informazioni sulle emissioni acustiche, fare
riferimento a *Dati tecnici alla pagina 264*.

Huskvarna, 2023-12-14



Claes Losdal, R&D Manager, Husqvarna AB
Responsabile della documentazione tecnica



Licenze

Copyright © 2012–2020 STMicroelectronics

La garanzia non copre i difetti derivanti da normale usura, incuria, uso errato, riparazioni non autorizzate o collegamento dell'apparecchio di aspirazione a una tensione di alimentazione errata.

Tutti i diritti riservati.

La redistribuzione e l'uso in formato sorgente e binario, con o senza modifiche, sono consentiti a condizione che siano soddisfatte le seguenti condizioni:

- Le ridistribuzioni del codice sorgente devono contenere l'avviso di copyright sopra riportato, il presente elenco di condizioni e la dichiarazione di non responsabilità riportata di seguito.
- Le ridistribuzioni in formato binario devono contenere l'avviso di copyright sopra riportato, il presente elenco di condizioni e la dichiarazione di non responsabilità riportata di seguito nella documentazione e/o in altri materiali forniti con la distribuzione.
- Né il nome di STMicroelectronics né i nomi dei suoi collaboratori possono essere utilizzati per raccomandare o promuovere prodotti derivati da questo software senza previa autorizzazione scritta specifica.

IL SOFTWARE È FORNITO DAI TITOLARI DEL COPYRIGHT E DAI COLLABORATORI "COSÌ COM'È" E SI DECLINA LA RESPONSABILITÀ PER QUALSIASI GARANZIA ESPRESSA O IMPLICITA, INCLUSE, MA NON SOLO, LE GARANZIE IMPLICITE DI COMMERCIALIZZABILITÀ E IDONEITÀ PER UNO SCOPO SPECIFICO. IN NESSUN CASO IL PROPRIETARIO DEL COPYRIGHT O I COLLABORATORI SARANNO RESPONSABILI PER EVENTUALI DANNI DIRETTI, INDIRETTI, INCIDENTALI, SPECIALI, ESEMPLARI O CONSEGUENZIALI (INCLUSI, MA NON LIMITATI A, FORNITURA DI BENI O SERVIZI SOSTITUTIVI; MANCATO UTILIZZO, PERDITA DI DATI O PROFITTI; INTERRUZIONE DELL'ATTIVITÀ) IMPUTABILI A QUALUNQUE CAUSA E INDIPENDENTEMENTE DA QUALSIASI CRITERIO DI RESPONSABILITÀ, SIA PREVISTO NEL CONTRATTO CHE RELATIVO A RESPONSABILITÀ OGGETTIVA O A UN ATTO ILLECITO (COMPRESA NEGLIGENZA O ALTRO) DERIVANTI IN QUALSIASI MODO DALL'USO DEL PRESENTE SOFTWARE, ANCHE SE INFORMATI DELLA POSSIBILITÀ DI TALI DANNI.

Licenza Apache 2.0

Copyright © 2009-2019 Arm Limited. Tutti i diritti riservati.

Versione 2.0, gennaio 2004 <http://www.apache.org/licenses/>

TERMINI E CONDIZIONI PER L'USO, LA RIPRODUZIONE E LA DISTRIBUZIONE

1. Definizioni.

Per "**licenza**" si intendono i termini e le condizioni per l'uso, la riproduzione e la distribuzione definiti dalle sezioni da 1 a 9 del presente documento. Per "**concessore della licenza**" si intende il proprietario del copyright o l'entità autorizzata dal proprietario del copyright che concede la licenza. Per "**entità giuridica**" si intende l'insieme dell'entità agente e di tutte le altre entità che controllano, sono controllate da o sono sotto il controllo comune di tale entità. Ai fini della presente definizione, per "**controllo**" si intende (i) il potere, diretto o indiretto, di dirigere o gestire tale entità, per diritto contrattuale o altrimenti stabilito, o (ii) il possesso del cinquanta per cento (50%) o più delle azioni in circolazione, o (iii) la proprietà effettiva di tale entità. "**Utente**" (o "**dell'utente**") si riferisce a una persona fisica o un'entità giuridica che esercita le autorizzazioni concesse dalla presente licenza. Per formato "**sorgente**" si intende il formato prescelto per apportare modifiche, incluse, ma non limitate a, il codice sorgente del software, la sorgente della documentazione e i file di configurazione. Per formato "**oggetto**" si intende qualsiasi formato derivante dalla trasformazione meccanica o dalla traduzione di un formato sorgente, inclusi, a titolo esemplificativo ma non esaustivo, il codice oggetto compilato, la documentazione generata e le conversioni in altri tipi di file multimediali. Per "**opera**" si intende l'opera d'autore, in formato sorgente o oggetto, resa disponibile dalla licenza come indicato da un avviso di copyright incluso o allegato all'opera (ad esempio l'Appendice riportata di seguito). Per "**opere derivate**" si intende qualsiasi opera, in formato sorgente o oggetto, basata sull'opera (o da essa derivata) e per cui le revisioni, le annotazioni, le elaborazioni redazionali o altre modifiche costituiscono, nel complesso, un'opera originale dell'autore. Ai fini della presente licenza, la definizione di "opere derivate" non include le opere che sono separabili da, o quelle solo collegate (o associate per nome) alle interfacce dell'opera e delle opere derivate. Per "**contributo**" si intende qualsiasi opera d'autore, compresa la versione originale dell'opera e qualsiasi modifica o aggiunta a tale opera o alle opere derivate, intenzionalmente sottoposta al concessore della licenza per essere inclusa nell'opera dal proprietario del copyright, o da una persona fisica o entità giuridica autorizzata a sottoporla per suo conto. Ai fini della presente definizione, per "**sottoposta**" si intende l'invio tramite qualsiasi forma di comunicazione elettronica, verbale o scritta inviata al concessore della licenza o ai suoi rappresentanti, inclusa, a titolo esemplificativo ma non esaustivo, la comunicazione tramite mailing-list, sistemi di controllo del codice sorgente e sistemi di rilevamento dei problemi gestiti dal concessore della licenza, o per suo conto, allo scopo di discutere e migliorare l'opera stessa. Da tale definizione è esclusa la comunicazione chiaramente contrassegnata, o indicata in un altro modo per iscritto, dal proprietario del copyright come "**non un contributo**".

Per "**collaboratore**" si intende il conceditore della licenza e qualsiasi persona fisica o entità giuridica per conto della quale il conceditore della licenza ha ricevuto un contributo che ha successivamente integrato nell'opera.

2. Concessione della licenza di copyright.

In base ai termini e alle condizioni di questa licenza, ciascun collaboratore con la presente concede all'utente la licenza di copyright a tempo indeterminato, valida a livello mondiale, non esclusiva, gratuita, esente da royalty e irrevocabile che dà il diritto di riprodurre, preparare le opere derivate, visualizzare e utilizzare pubblicamente, concedere in licenza a terzi e distribuire l'opera e le opere da essa derivate in formato sorgente o oggetto.

3. Concessione della licenza di brevetto.

In base ai termini e alle condizioni di questa licenza, ciascun collaboratore con la presente concede all'utente una licenza di brevetto a tempo indeterminato, valida a livello mondiale, non esclusiva, gratuita, esente da royalty e irrevocabile (salvo quanto stabilito nella presente sezione) che dà il diritto di produrre, far produrre, utilizzare, offrire in vendita, vendere, importare e trasferire in altro modo l'opera, laddove tale licenza si applica solo a quelle rivendicazioni di brevetti cedibili in licenza dal collaboratore che sono violati inevitabilmente da uno o più dei suoi contributi all'opera per cui tali contributi sono stati inviati. Se l'utente istituisce un contenzioso sui brevetti nei confronti di un'entità (compreso un ricorso incidentale o un riconvenzionale in una causa) dichiarando che l'opera o un contributo ad essa integrato costituisce una violazione diretta o che contribuisce alla violazione del brevetto, allora qualsiasi licenza di brevetto concessa all'utente ai sensi della presente licenza per quell'opera avrà termine alla data di inizio di tale contenzioso.

4. Ridistribuzione.

L'utente può riprodurre e distribuire copie dell'opera o delle opere derivate su qualsiasi supporto, con o senza modifiche, in formato sorgente o oggetto, a condizione che l'utente rispetti le seguenti condizioni:

- L'utente deve fornire agli altri destinatari dell'opera o delle opere derivate una copia della presente licenza.
- In caso di qualsiasi modifica, l'utente deve apporre sui file interessati avvisi bene visibili che indichino tale modifica. – L'utente deve conservare nel formato sorgente delle opere derivate da lui distribuite, tutti gli avvisi relativi a copyright, brevetto, marchio e attribuzione del formato sorgente dell'opera, salvo quelli che non riguardano alcuna parte delle opere derivate.
- Se l'opera include un file di testo "**AVVISO**" nell'ambito della sua distribuzione, le eventuali opere derivate distribuite dall'utente devono includere una copia leggibile degli avvisi di attribuzione contenuti in tale file (ad eccezione di quelli che non riguardano alcuna parte delle opere derivate)

in almeno una delle seguenti posizioni: in un file di testo AVVISO distribuito come parte delle opere derivate; in un formato o nella documentazione sorgente, se fornito insieme alle opere derivate; oppure in una visualizzazione generata dalle opere derivate, se e dove tali avvisi di terze parti normalmente compaiono. Il contenuto del file AVVISO ha solo scopo informativo e non modifica la licenza. Nelle opere derivate che distribuisce, l'utente può aggiungere i propri avvisi di attribuzione, insieme o come appendice al testo di AVVISO dell'opera, a condizione che tali avvisi di attribuzione aggiuntivi non possano essere interpretati come modifiche della licenza. L'utente può aggiungere una dichiarazione di copyright alle sue modifiche e fornire termini e condizioni di licenza aggiuntivi o differenti in merito all'uso, alla riproduzione o alla distribuzione delle sue modifiche, o in merito a qualsiasi altra opera derivata nel suo complesso, a condizione che l'uso, la riproduzione e la distribuzione dell'opera da parte dell'utente siano comunque conformi alle condizioni indicate nella presente licenza.

5. Invio dei contributi.

Salvo diversamente specificato, qualsiasi contributo intenzionalmente inviato per l'inclusione nell'opera da parte dell'utente al conceditore della licenza sarà soggetto ai termini e alle condizioni della presente licenza, senza ulteriori termini o condizioni. Fatto salvo quanto esposto sopra, nulla di quanto accluso nel presente documento sostituirà o modificherà i termini di qualsiasi contratto di licenza separato che l'utente potrebbe aver sottoscritto con il conceditore della licenza in relazione a tali contributi.

6. Marchi.

La presente licenza non concede l'autorizzazione a utilizzare i nomi commerciali, i marchi, i marchi di servizio o i nomi dei prodotti del conceditore della licenza, salvo quanto richiesto per un uso ragionevole e abituale nella descrizione dell'origine dell'opera e nella riproduzione del contenuto del file di AVVISO.

7. Esclusione di garanzia.

Se non previsto dalla legge applicabile o concordato per iscritto, il conceditore della licenza fornisce l'opera (e ciascun collaboratore fornisce i propri contributi) "COSÌ COM'È", SENZA GARANZIE O CONDIZIONI DI ALCUN TIPO, esplicite o implicite, incluse, ma non limitate a, tutte le garanzie o le condizioni di TITOLARITÀ, NON CONTRAFFAZIONE, COMMERCIALIZZABILITÀ o IDONEITÀ PER UNO SCOPO SPECIFICO. L'utente è l'unico responsabile di determinare l'idoneità dell'utilizzo o della ridistribuzione dell'opera e si assume tutti i rischi associati all'esercizio di concessione delle autorizzazioni ai sensi della presente licenza. 8. Limitazione di responsabilità. In nessun caso e in base a nessuna teoria giuridica, sia per illecito (inclusa la negligenza), per diritto contrattuale o altrimenti stabilito, se non

previsto dalla legge applicabile (come in caso di atti deliberati e gravemente neglienti) o concordato per iscritto, il collaboratore sarà responsabile nei confronti dell'utente per danni, inclusi danni diretti, indiretti, speciali, incidentali o consequenziali di qualsiasi carattere derivanti dalla presente licenza o dall'uso o dall'impossibilità di utilizzare l'opera (inclusi, a titolo esemplificativo ma non esaustivo, danni per mancato avviamento, interruzione dell'attività, guasto o malfunzionamento del computer, o qualsiasi altro danno o perdita commerciale), anche se tale collaboratore è stato informato della possibilità di tali danni.

9. Accettazione della garanzia o responsabilità aggiuntiva.

Durante la ridistribuzione dell'opera o delle opere derivate, l'utente può scegliere di offrire, a pagamento, l'accettazione di assistenza, garanzia, indennizzo o altri obblighi di responsabilità e/o diritti conformi alla presente licenza. Tuttavia, accettando tali obblighi, l'utente può agire solo per proprio conto e sotto la propria esclusiva responsabilità, non per conto di altri collaboratori, e solamente se accetta di indennizzare, difendere e manlevare ciascun collaboratore da eventuali responsabilità o rivendicazioni avanzate contro il collaboratore a seguito dell'accettazione da parte dell'utente di tale garanzia o responsabilità aggiuntiva.
FINE DEI TERMINI E CONDIZIONI

TURINYS

Įvadas.....	269	Transportavimas, saugojimas ir utilizavimas.....	283
Sauga.....	271	Techniniai duomenys.....	283
Surinkimas.....	278	Priedai.....	285
Naudojimas.....	278	Atitikties deklaracija.....	286
Techninė priežiūra.....	280	Licencijos.....	287
Gedimai ir jų šalinimas.....	282	Priedas	507

Įvadas

Gaminio aprašas

Husqvarna Aspire T28-P4A yra akumulatorinė žoliapjovė su elektriniu varikliu.

Nuolat stengiamės padidinti jūsų saugumą ir eksploatacijos efektyvumą. Dėl išsamesnės informacijos prašome kreiptis į savo techninės priežiūros atstovą.

Naudojimas

Gaminys naudojamas su žoliapjovės galvute žolei pjauti. Nenaudokite gaminio kitiems darbams, išskyrus žolės pjovimą ir žolės valymą.

Gaminio apžvalga

(Pav. 1)

1. Žoliapjovės galvutė
2. Pjovimo įtaiso apsauginis elementas
3. Augalų apsauga
4. Veleno reguliavimas (teleskopas)
5. Velenas
6. Kilpinė rankena
7. Priežiūros gaubtas
8. Kilpinės rankenos reguliavimo mygtukas
9. Naudotojo sąsaja
10. Įspėjimo indikatorius
11. Įkrovos būsenos indikatorius
12. Įjungimo / išjungimo mygtukas

Pasižymėkite: Nacionaliniai įstatymai gali nustatyti apribojimus šio produkto naudojimui.

Trumpasis vadovas

Gaminio naudojimo patarimų rasite nuskaityę šį QR kodą.
(Pav. 20)

13. Maitinimo jungiklis
14. Maitinimo jungiklio fiksatorius
15. Akumulatorius (P4A 18-B45)
16. Akumulatoriaus nuėmimo mygtukas
17. Akumulatorius (P4A 18-B72)
18. Akumulatoriaus įkroviklis (P4A 18-C70)
19. Jungtis
20. Maitinimo ir įspėjamosios indikatorius
21. Kombinuotasis įrankis
22. Sieninis kablys
23. Sieninio kablo tvirtinimo varžtai ir sieniniai kaiščiai
24. Naudojimo instrukcija

Simboliai ant gaminio

- (Pav. 2) ĮSPĖJIMAS. Šis gaminys gali būti pavojingas ir rimtai sužeisti arba prażudyti naudotoją arba aplinkinius. Būkite atsargūs ir tinkamai naudokite gaminį.
- (Pav. 3) Prieš naudodami, atidžiai perskaitykite naudojimo instrukciją ir įsitinkinkite, kad viską gerai supratote.
- (Pav. 4) Naudokite akių apsaugos priemones.
- (Pav. 5) Nepalikite lietuje.
- (Pav. 6) Triukšmo emisijos į aplinką ženklinaimas atitinka ES ir Jungtinės Karalystės direktyvas bei reglamentus ir Naujojo Pietų Velso įstatymą „2017 m. aplinkos apsaugos (triukšmo kontrolės) reglamentas“. Gaminio garantuotasis garso galios lygis nurodytas *Techniniai duomenys psl. 283*.
- (Pav. 7) Prieš atlikdami techninę apžiūrą atjunkite akumulatorių.
- (Pav. 8) Gaminys ar gaminio pakuotė nepriskiriami buitinėms atliekoms. Nuvežkite jį į elektros ir elektronikos įrenginių perdirbimo punktą.
- (Pav. 9) Saugokitės išsviestų objektų.
- (Pav. 10) Nenaudokite metalinių peilių.
- (Pav. 11) Šis gaminys atitinka taikomas ES direktyvas.
- (Pav. 12) Šis gaminys atitinka taikytinų JK reglamentų nuostatas.
- (Pav. 13) Nuolatinė srovė.
- (Pav. 17) Tarp įrenginio ir šalia esančių asmenų turi būti ne mažesnis kaip 15 m (50 pėd.) atstumas.

yyyywwxxxx

Vardinėje parametų arba lazeriu įspaustoje plokštelėje nurodytas serijos numeris. **yyyy** yra pagaminimo metai, o **ww** yra pagaminimo savaitė.

Simboliai ant gaminio

- (Pav. 2) ĮSPĖJIMAS. Šis gaminys gali būti pavojingas ir rimtai sužeisti arba prażudyti naudotoją arba aplinkinius. Būkite atsargūs ir tinkamai naudokite gaminį.
- (Pav. 3) Prieš naudodami, atidžiai perskaitykite naudojimo instrukciją ir įsitinkinkite, kad viską gerai supratote.
- (Pav. 4) Naudokite akių apsaugos priemones.
- (Pav. 5) Nepalikite lietuje.
- (Pav. 6) Į aplinką skleidžiamo triukšmo etiketė atitinka ES (įskaitant Naujojo Pietų Velso teisės aktus) ir JK direktyvas bei reglamentus. Triukšmo emisijos duomenys nurodyti įrenginio etiketėje ir skyriuje „Techniniai duomenys“.
- (Pav. 7) Prieš atlikdami techninę apžiūrą atjunkite akumulatorių.
- (Pav. 8) Gaminys ar gaminio pakuotė nepriskiriami buitinėms atliekoms. Nuvežkite jį į elektros ir elektronikos įrenginių perdirbimo punktą.
- (Pav. 9) Saugokitės išsviestų objektų.
- (Pav. 10) Nenaudokite metalinių peilių.
- (Pav. 11) Šis gaminys atitinka taikomas ES direktyvas.
- (Pav. 13) Nuolatinė srovė.
- (Pav. 17) Tarp įrenginio ir šalia esančių asmenų turi būti ne mažesnis kaip 15 m (50 pėd.) atstumas.

yyyywwxxxx

Vardinėje parametų arba lazeriu įspaustoje plokštelėje nurodytas serijos numeris. **yyyy** yra pagaminimo metai, o **ww** yra pagaminimo savaitė.

Simboliai ant akumulatoriaus ir (ar) akumulatoriaus įkroviklio

- (Pav. 18) Nuvežkite šį gaminį į elektros ir elektronikos įrenginių perdirbimo punktą. (galioja tik Europoje)

(Pav. 19) Akumuliatorių naudokite tik POWER FOR ALL sistemos partnerių gaminiuose.

(Pav. 14) Apsaugotas transformatorius.

(Pav. 15) Akumulatoriaus įkroviklį naudokite ir laikykite tik uždaroje patalpoje.

(Pav. 16) Dviguba izoliacija.

- gaminys netinkamai suremontuotas;
- gaminys suremontuotas naudojant kito gamintojo arba gamintojo nepatvirtintas dalis;
- gaminys turi kito gamintojo arba gamintojo nepatvirtintą priedą;
- gaminys suremontuotas ne patvirtintame techninės priežiūros centre arba jį suremontavo ne patvirtintas atstovas.

Gamintojas

Husqvarna AB

SE-561 82, Huskvarna, Sweden

Produkto pažeidimai

Mes neatsakome už mūsų gaminio sugadinimą, jei:

Sauga

Saugos ženklų reikšmės

Įspėjimai, perspėjimai ir pastabos yra skirtos atkreipti dėmesį į ypač svarbias vadovo dalis.



PERSPĖJIMAS: Naudojamas, kai naudotojui ar šalia esantiems asmenims kyla mirtino arba sunkaus sužeidimo pavojus arba, jei nesilaikoma vadove pateiktų nurodymų.



PASTABA: Naudojamas, kai kyla pavojus sugadinti gaminį, kitas medžiagas arba padaryti žalą aplinkai, jei nesilaikoma vadove pateiktų nurodymų.

Pasižymėkite: Naudojamas papildomai informacijai apie konkrečią situaciją pateikti.

Bendrieji saugos įspėjimai naudojant elektros įrankius



PERSPĖJIMAS: Perskaitykite visus saugos įspėjimus ir instrukcijas. Nesilaikydami įspėjimų ir instrukcijų galite sukelti gaisrą, patirti elektros smūgį ir (arba) rimtai susižeisti.

Pasižymėkite: Saugokite visus įspėjimus ir instrukcijas, nes jų gali prireikti vėliau. Terminas „elektros įrankis“ įspėjimuose reiškia iš elektros tinklo maitinamą (laidinį) elektros įrankį arba akumuliatoriumi maitinamą (belaidį) elektros įrankį.

Patikrinimas prieš paleidžiant

- Būtinai nuimkite akumuliatorių, kad netyčia nepaleistumėte gaminio. Prieš atlikdami gaminio techninę priežiūrą, būtinai nuimkite akumuliatorių.
- Prieš naudodami gaminį po bet kokio sutrenkimo, patikrinkite, ar nėra nusidėvėjimo ar pažeidimo požymių ir, jei reikia, pataisykite.
- Patikrinkite darbo zoną. Pašalinkite visus palaidus objektus, pavyzdžiui, akmenis, stiklo šukes, vinis, plieninę vielą, virvės galiukus ir pan., kurie gali būti išsviedžiami į orą arba apsvyningoti aplink pjovimo įtaisą ar jo apsauginį skydą.
- Patikrinkite, ar el. variklis švarus ir jame nėra įtrūkių. Nuo el. variklio šepėčiu nuvalykite žoles ir lapus. Kai būtina, reikia mūvėti pirštines.
- Patikrinkite, ar žoliapjovės galvutė gerai pritvirtinta prie žoliapjovės.
- Patikrinkite, ar gaminys nepriekaištingos darbinės būklės. Patikrinkite, ar visos veržlės ir varžtai yra priveržti.
- Patikrinkite, ar žoliapjovės galvutė ir žoliapjovės apsauginis skydas nėra pažeisti ar įtrūkę. Pakeiskite žoliapjovės galvutę ar apsauginį skydą, jei jie buvo sutrenkti ar yra įtrūkę. Ant pjovimo įtaiso visada tvirtinkite tik rekomenduojamą apsauginį skydą. Žr. skyrių „Techniniai duomenys“.
- Dirbdamas šiuo gaminiumi, naudotojas turi pasirūpinti, kad darbo metu žmonės ar gyvūnai neprieitų arčiau nei 15 metrų atstumu. Kai vienoje vietoje šiais įrenginiais dirba keli asmenys, tarp jų turi būti išlaikomas mažiausiai 15 m saugus atstumas.
- Prieš pradėdami naudoti gaminį, atlikite bendrą apžiūrą. Žr. techninės priežiūros grafiką.
- Naudojimą gali reglamentuoti nacionalinės arba vietos taisyklės. Laikykitės nustatytų taisyklių.

Sauga darbo vietoje

- **Darbo vieta turi būti švari ir gerai apšviesta.** Netvarkingose arba tamsiose darbo vietose dažnai įvyksta nelaimės.
- **Nenaudokite elektros įrankių sprogiose aplinkose, pavyzdžiui, ten, kur yra lengvai užsidegančių skysčių, dujų arba dulkių.** Elektros įrankiai kibirkščiuoja, todėl gali užsiliepsnoti dulkės arba garai.
- **Naudodami elektros įrankį, neleiskite arti būti vaikams ir pašaliniais asmenims.** Išsiblaškę galite prarasti įrenginio kontrolę.

Elektrosauga

- **Elektrinių įrankių kištukai turi atitikti elektros lizdus.** Niekada nebandykite koku nors būdu perdaryti kištuko. Jei naudojate įžemintus elektros įrankius, nenaudokite jokių kištukų adapterių. Jeigu kištukai nėra perdaryti ir atitinka elektros lizdus, elektros smūgio pavojus yra mažesnis.
- **Nesilieskite prie elektros laidininkų paviršių, pavyzdžiui, vamzdžių, radiatorių, viryklių ir šaldytuvų.** Jei kūnas taps elektros laidininku, iškils elektros smūgio pavojus.
- **Nelaikykite elektrinių įrankių lietuje arba drėgnoje aplinkoje.** Į elektrinį įrenginį patekęs vanduo padidina elektros smūgio pavojų.
- **Tinkamai naudokite laidą.** Niekada neneškite įrankio laikydami už laido, netraukite jo ir nebandykite traukdam už jo ištraukti elektrinio įrankio kištuką. Laikykite laidą atokiai nuo šilumos šaltinių, tepalų, aštrių briaunų ar judančių dalių. Dėl pažeistų arba susipainiojusių laidų padidėja elektros smūgio rizika.
- **Jei elektrinį įrankį naudojate lauke, naudokite lauke skirtą naudoti ilgintuvą.** Naudojant lauke skirtą naudoti ilgintuvą, sumažėja elektros smūgio rizika.
- **Jeigu elektrinį įrankį būtina naudoti drėgnoje aplinkoje, naudokite liekamosios srovės įtaisų (LSI) apsaugotą maitinimo šaltinį.** Naudojant LSI, sumažėja elektros smūgio pavojus.

Asmens sauga

- **Naudodami elektros įrankį, būkite budrūs, stebėkite savo veiksmus ir vadovaukitės sveiku protu.** Nenaudokite elektros įrankio, jei esate pavargę, apsvaigę nuo narkotikų, alkoholio arba vaistų. Dirbant elektros įrankiais netgi akimirksnis neatidumo gali tapti sunkaus sužeidimo priežastimi.
- **Naudokite asmenines apsaugines priemones.** Visuomet užsidėkite akių apsaugos priemones. Dėl atitinkamomis sąlygomis naudojamų apsauginių priemonių, pavyzdžiui, respiratorių, neslystančių apsauginių batų, šalmo arba apsauginių ausinių, sumažėja sužeidimų rizika.
- **Saugokitės atsitiktinio išjungimo.** Prieš prijungdami įrenginį prie maitinimo šaltinio ir (arba) akumuliatorių bloko, paimdami arba nešdami įrenginį, įsitikinkite, kad jungiklis yra išjungimo (OFF) padėtyje. Jei nešite elektros įrankį laikydami pirštą ant jungiklio ar

prijungsite jį prie maitinimo šaltinio, kai jungiklis yra įjungimo padėtyje, gali įvykti nelaimingas atsitikimas.

- **Prieš įjungdami elektros įrankį, pašalinkite iš jo visus reguliavimo raktus ar veržliaraktus.** Besisukančioje elektros įrankio dalyje paliktas veržliaraktis arba raktas gali sužeisti.
- **Per plačiai neužsimokite.** Visada tvirtai stovėkite ant kojų ir laikykite pusiausvyrą. Tokiu būdu geriau kontroliuosite elektros įrankį netikėtose situacijose.
- **Apsirenkite tinkamai.** Niekada nedėvėkite palaidų drabužių ar papuošalų. Nelaikykite plaukų ir drabužių arti judančių dalių. Palaidi drabužiai, papuošalai arba ilgi plaukai gali įkliūti į judančias dalis.
- **Jeigu naudojate įtaisus, skirtus dulkių surinkimo įrenginiams prijungti, įsitikinkite, kad jie tinkamai prijungti ir naudojami.** Naudojant dulkių surinkimo įrenginius, sumažėja su dulkelėmis susijusių pavojų rizika.
- **Įgudę naudotis įrankiais ir prie jų praprātė nenustokite paisyti įrankių saugos principų.** Dėl neatsargių veiksmų galite rimtai susižeisti vos per akimirka.
- **Tikrasis vibracijos dydis elektrinio įrenginio darbo metu gali skirtis nuo nurodytos suminės vertės, kadangi tai priklauso nuo įrenginio naudojimo būdų.** Operatoriai turi naudoti atitinkamas saugos priemones, kurios pasirenkamos įvertinus realias darbo sąlygas (atsižvelgiant į visas darbo ciklo fazes, t.y. įrenginio išjungimo (nenaudojimo) trukmę, darbo tuščiąją eiga ir realaus pjovimo trukmes).

Elektros įrankių naudojimas ir priežiūra

- **Dirbdami su elektros įrankiu nenaudokite jėgos.** Naudokite savo darbiui tinkamą elektros įrankį. Naudojant tam tikslui skirtą elektros įrankį, darbas bus atliktas saugiau ir greičiau.
- **Jeigu paspaudus jungiklį elektros įrankis neįsijungia arba neišsijungia, nenaudokite įrankio.** Elektros įrankis, kurio nepavyksta tinkamai valdyti jungikliu, kelia pavojų ir turi būti taisomas.
- **Prieš reguliuodami elektros įrankius, keisdami priedus arba padėdami saugoti, ištraukite maitinimo laido kištuką iš elektros lizdo ir (arba) išimkite akumuliatorių bloką, jei jį galima išimti.** Laikantis šių prevencinės apsaugos priemonių, sumažėja netyčinio elektros įrankio įjungimo rizika.
- **Nenaudojamus elektros įrankius laikykite vaikams nepasiekiamoje vietoje ir neleiskite naudoti elektros įrankio asmenims, kurie nemoka juo naudotis arba nėra susipažinę su šiomis instrukcijomis.** Nekvalifikuotų naudotojų rankose elektros įrankiai yra pavojingi.
- **Pržiūrėkite elektrinius įrankius ir priedus.** Patikrinkite, ar sureguliuotos ir nestringa judančios dalys, ar nėra sulūžusių dalių ir kitų veiksnių, kurie gali daryti įtaką elektros įrankio veikimui. Prieš naudojant, sugedusį elektros įrankį reikia sutaisyti. Daug nelaimingų atsitikimų įvyksta dėl netinkamai prižiūrimų elektros įrankių.
- **Pjovimo įrankiai turi būti pagaląsti ir švarūs.** Tinkamai prižiūrėti pjovimo įrankiai su aštriomis

pjovimo briaunomis rečiau užstringa ir juos paprasčiau valdyti.

- **Elektros įrankius, priedus, įrankių galastuvus ir pan. naudokite taip, kaip nurodyta šiose instrukcijose, atsižvelgdami į darbo sąlygas ir atliekamą darbą.** Naudodami elektros įrankį ne pagal paskirtį, galite sukelti pavojingą situaciją.
- **Rankenos ir laikomieji paviršiai visuomet turi būti sausi ir švarūs (neištepiti alyva ar tepalais).** Slidžios rankenos ir laikymosi paviršiai neleidžia saugiai valdyti ir kontroliuoti netikėtose situacijose.

Akumuliatorinių įrankių naudojimas ir priežiūra

- **Akumulatorius kraukite tik gamintojo nurodytu įkrovikliu.** Įkroviklis, tinkamas vienam akumuliatorių blokui, gali sukelti gaisro pavojų, naudojamas kitam akumuliatorių blokui įkrauti.
- **Gaminį naudokite tik su joms skirtais akumuliatorių blokais.** Naudojant bet kokį kitą akumuliatorių bloką kyla sužeidimo ir gaisro pavojus.
- **Nenaudojamą akumuliatorių bloką laikykite toliau nuo metalinių daiktų, galinčių sukurti jungtį tarp gnybtų, pavyzdžiui sąvaržėlių, monetų, raktų, vinių, varžtų ir kitų smulkių metalinių daiktų.** Trumpai sujungus akumuliatoriaus gnybtus gali kilti gaisras arba galite nudegti.
- **Esant nepalankioms sąlygoms, iš akumuliatoriaus gali imti tekėti skystis. Nelieskite jo. Ant odos netyčia patekusį skystį nuplaukite vandeniu. Skysčiu patekus į akis kreipkitės medicininės pagalbos. Iš akumuliatoriaus ištekėjęs skystis gali sudirginti arba nudeginti.**
- **Nenaudokite pažeisto arba modifikuoto akumuliatorių bloko arba įrankio.** Naudojant pažeistus ar modifikuotus akumuliatorius, jų veikimas gali būti neprognozuojamas ir jie gali sukelti gaisrą, sprogingą ar sužaloti.
- **Saugokite akumuliatorių bloką arba įrankį nuo ugnies ir didelės temperatūros.** Sąlytis su ugnimi arba 130 °C (265 °F) temperatūra gali sukelti sprogingą.
- **Laikykites visų įkrovimo nurodymų ir neįkraukite akumuliatorių bloko ar įrankio, esant nurodytame diapazone neišsitenkančiai temperatūrai.** Netinkamai įkraunant arba esant nurodytame diapazone neišsitenkančiai temperatūrai gali būti pažeistas akumuliatorius ir padidėti gaisro tikimybė.

Techninė priežiūra

- **Elektros įrankio techninę priežiūrą privalo atlikti kvalifikuotas remonto specialistas, naudodamas tik tokias pačias pakaitines dalis.** Tokiu būdu bus užtikrinta elektros įrankio sauga.
- **Niekada neapžiūrinėkite pažeistų akumuliatorių blokų.** Akumuliatorių blokų techninę priežiūrą gali atlikti tik gamintojas arba įgalioti paslaugų teikėjai.

Visada vadovaukitės sveiku protu

Neįmanoma numatyti visų situacijų, kurios gali iškilti. Visada elkitės atsargiai ir vadovaukitės sveiku protu.

Neapsiimkite atlikti darbų, kuriems nesate pakankamai kvalifikuotas. Jeigu perskaitę šią instrukciją vis dar nesate tikri, kaip naudoti įrenginį, pasitarkite su tai išmanančiu asmeniu.



PERSPĖJIMAS: Niekada neleiskite vaikams naudoti įrenginį ar būti arti jo. Kadangi įrenginį užvesti labai paprasta, neprižiūrimi vaikai gali lengvai tai padaryti. Tai reiškia, jog iškyla pavojus sunkiai susižeisti. Todėl, kai neprižiūrite įrenginio, visuomet nuimkite bateriją.

Bendrieji saugos nurodymai



PERSPĖJIMAS: Prieš naudodami gaminį, perskaitykite toliau esančius įspėjimus.

- Nuimkite akumuliatorių, kad netyčia neįjungtumėte gaminio.
- Šis gaminys gali būti pavojingas, jei būsite neatsargūs arba gaminį naudosite netinkamai. Šis gaminys gali rimtai sužeisti arba pražudyti operatorių arba aplinkinius.
- Nenaudokite gaminio, jei pasikeitė jo pradinės specifikacijos. Nekeiskite gaminio dalių, neturinčių gamintojo patvirtinimo. Naudokite tik gamintojo patvirtintas dalis. Netinkamai atliekant gaminio techninę priežiūrą galima rimtai arba mirtinai susižeisti.
- Prieš darbą atlikite produkto patikrą. Žr. *Patikrinimas prieš paleidžiant psl. 271* ir *Veiksmai prieš naudojant įrenginį psl. 278*. Nenaudokite gaminio, jei jis yra pažeistas arba tinkamai neveikia. Atlikite šiame vadove nurodytas saugos patikras, techninės priežiūros ir aptarnavimo procedūras.
- Saugokite, kad su gaminiu nežaistų vaikai. Niekomet neleiskite vaikams ar kitiems asmenims, neapmokytiems naudotis gaminiu ir / arba akumuliatoriumi, jais naudotis ar atlikti techninę priežiūrą. Vietos teisės aktuose gali būti nustatytas jauniausias amžius, nuo kurio galima naudoti tokius įrenginius.
- Laikykite gaminį užrakintoje patalpoje, kad jo nepasiektų vaikai arba neįgalioti asmenys.
- Gaminį laikykite ten, kur jo negali pasiekti vaikai.
- Be gamintojo leidimo jokių atveju negalima keisti originalios gaminio konstrukcijos. Būtinai naudokite originalias atsargines dalis. Nesuderinti konstrukcijos pakeitimai bei nepritaikytos detalės gali sukelti rimtus operatoriaus ir pašalinių asmenų kūno sužalojimus ir net mirtį.

Pasižymėkite: Naudojimą gali reglamentuoti nacionaliniai arba vietos teisės aktai. Laikykites nustatytų taisyklių.

Naudojimo saugos instrukcijos



PERSPĒJIMAS: Prieš naudodami gaminį, perskaitykite toliau esančius įspėjimus.

- **Nenaudokite įrenginio blogomis oro sąlygomis, ypač jei yra žaibo pavojus.** Taip sumažinsite pavojų būti nutrenktiems žaibo.
- **Kruopščiai apžiūrėkite plotą, kuriame bus naudojamas įrenginys, ar nėra laukinių gyvūnų.** Veikiantis įrenginys gali juos sužeisti.
- **Nuodugniai patikrinkite vietą, kur bus naudojamas įrenginys, ir pašalinkite akmenis, pagalius, laidus, kaulus ir kitus pašalinius objektus.** Išsviedžiami daiktai gali sužaloti.
- **Prieš naudodami įrenginį visada patikrinkite, ar pjaustytuvas ir pjaustytuvo agregatas nepažeisti.** Dėl apgadintų dalių didėja sužeidimo pavojus.
- **Apsaugos turi būti savo vietoje. Apsaugos turi atlikti savo funkciją ir būti tinkamai sumontuotos.** Atsilaisvinusi, pažeista arba netinkamai veikianti apsauga gali sužaloti dirbantįjį.
- **Visos aušinimo oro tiekimo angos turi būti švarios.** Užsikimšusios oro tiekimo angos ir nešvarumai gali sukelti perkaitimo arba gaisro pavojų.
- **Dėvėkite akių ir ausų apsaugos priemones.** Tinkamos apsaugos priemonės sumažina asmens sužalojimo pavojų.
- **Dirbdami su įrenginiu visada avėkite neslystančius ir apsauginius batus. Nenaudokite įrenginio basi arba avėdami atvirą avalynę.** Tokiu būdu sumažinsite pavojų susižeisti kojas dėl kontakto su judančiu pjaustytuvu.
- **Visada dėvėkite drabužius, pvz., kelnes, kurios dengtų su įrenginiu dirbančio operatoriaus kojas.** Palietus judantį pjaustytuvą ar lynelį galite susižaloti.
- **Naudojant įrenginį pašaliniai asmenys turi laikytis atokiau.** Išmetamos nuopjovos gali sunkiai sužeisti.
- **Nenaudokite įrenginio aukštyje virš juosmens.** Taip išvengsite netyčinio pjaustytuvo prisilietimo ir geriau valdysite įrenginį netikėtomis aplinkybėmis.
- **Būkite atsargūs, kai su įrenginiu pjaunate drėgną žolę. Eikite, niekada nebėkite.** Tokiu būdu sumažės pavojus paslysti ir nugriūti, tad išvengsite sužalojimų.
- **Nenaudokite įrenginio ant pėmelų stačių šlaitų.** Tokiu būdu sumažės pavojus nesuvaldyti įrenginio, paslysti ir nugriūti, tad išvengsite sužalojimų.
- **Dirbdami šlaituose visada įsitikinkite, kad tvirtai stovite, šlaitu visada kilkite horizontaliai, niekada nedirbkite judėdami aukštyn ir žemyn, būkite ypač atsargūs keisdami judėjimo kryptį.** Tokiu būdu sumažės pavojus nesuvaldyti įrenginio, paslysti ir nugriūti, tad išvengsite sužalojimų.
- **Visus elektros laidus ir kabelius laikykite toliau nuo pjovimo vietos.** Elektros laidai ar kabeliai gali būti paslėpti gyvatvorėse ar krūmuose ir juos galima netyčia nupjauti arba pažeisti lyneliu ar pjaustytuvu.

- **Saugokite visas galūnes ir būkite toliau nuo judančio žoliapjovės pjaustytuvo ar lynelio. Nevalkite įrenginio po pjovimo, kol neatjungėte jo nuo maitinimo šaltinio.** Judantis žoliapjovės pjaustytuvas arba lynelis gali sunkiai sužeisti.
- **Nešti galima tik išjungtą įrenginį ir laikant jį kuo toliau nuo kūno.** Jei įrenginys naudojamas tinkamai, sumažėja netyčinio kontakto su besisukančiu žoliapjovės pjaustytuvu ar lyneliu galimybė.
- **Keisdami dalis naudokite tik gamintojo nurodytas pjovimo galvutes, pjaustytuvus ar lynelius. Žoliapjovės pjaustytuvų ar lynelių nekeiskite į metalinius laidus ar ašmenis.** Dėl netinkamų atsarginių dalių kyla pavojus nesuvaldyti įrenginio, jį sugadinti ir susižeisti.

Asmeninės apsauginės priemonės



PERSPĒJIMAS: Prieš naudodami gaminį, perskaitykite toliau esančius įspėjimus.

- Naudodami įrenginį būtinai dėvėkite patvirtintas asmenines apsaugines priemones. Asmeninės apsauginės priemonės nepadės visiškai išvengti pavojaus susižeisti, tačiau nelaimingo atsitikimo atveju mažiau nukentėsite. Leiskite prekybos atstovui padėti pasirinkti tinkamą įrangą.
- Naudokite patvirtintas apsaugines ausines.
(Pav. 21)
- Naudokite patvirtintas akių apsaugos priemones. Jei naudojamas apsauginis skydelis, turi būti nešiojami ir patvirtinti apsauginiai akiniai. Patvirtinti apsauginiai akiniai atitinka JAV ANSI Z87.1 standartą arba ES EN 166 standartą.
(Pav. 22)
- Kai būtina, pvz., montuojant, apžiūrint arba valant pjovimo įrangą, užsimaukite pirštines.
(Pav. 23)
- Avėkite apsauginius batus su plieninėmis nosimis ir neslystančiais padais.
(Pav. 24)
- Vilkėkite iš stiprios medžiagos pagamintus drabužius. Būtinai mėvėkite tvirtas, ilgas kelnes, vilkėkite aprangą ilgomis rankovėmis. Nevilkėkite laisvų drabužių, kurie gali užkibti už krūmokšnių ir šakų. Nedėvėkite papuošalų, trumpų kelnų ir neavėkite sandalų. Nebūkite basi. Saugiai susisėkite plaukus aukščiau pečių.
- Pasirūpinkite, kad netoliese būtų pirmosios pagalbos vaistinė.
(Pav. 25)

Gaminio apsauginės priemonės



PERSPĖJIMAS: Prieš naudodami gaminį, perskaitykite toliau esančius įspėjimus.

Šiame skyriuje aprašytos gaminio saugos priemonės, jų paskirtis ir patarimai, kaip atlikti patikros ir priežiūros darbus, siekiant užtikrinti tinkamą gaminio veikimą. Žr. instrukcijas skyriuje, *[vadas psl. 269]* kad sužinotumėte, kur jūsų gaminyje yra šios dalys.

Gaminio naudojimo laikas gali sutrumpėti, o nelaimingų atsitikimų pavojus gali padidėti, jei gaminys nebus tinkamai prižiūrimas, o techninė priežiūra ir (arba) remonto darbai nebus atliekami profesionaliai. Prireikus daugiau informacijos, prašome kreiptis į artimiausią techninės priežiūros atstovą.



PERSPĖJIMAS: Niekada nenaudokite gaminio, kurio apsauginės dalys yra pažeistos. Gaminio saugos įranga turi būti tikrinama ir prižiūrima taip, kaip yra aprašyta šiame skyrelyje. Jei gaminys neatitinka bet kurio iš šių kontrolinių reikalavimų, kreipkitės į savo techninės priežiūros atstovą dėl gaminio remonto.



PASTABA: Įrenginio techninė priežiūra ir taisyimas reikalauja specialaus pasirengimo. Tai ypač susiję su įrenginio saugos įranga. Jei jūsų įrenginys neatitiks nors vieno iš žemiau pateiktų kontrolės reikalavimų, kreipkitės į sertifikuotą remonto dirbtuvę. Įsigijus mūsų gaminį, garantuojame profesionalų aptarnavimą ir techninę priežiūrą. Jei įrenginio pardavėjas neatlieka aptarnavimo, paprašykite jo duoti artimiausios remonto dirbtuvės adresą.

Naudotojo sąsajos patikra

Žali šviesos diodai (A) rodo akumuliatoriaus būseną, kai gaminys įjungtas, tačiau neeksploatuojamas.

1. Paspauskite ir laikykite nuspaudę įjungimo / išjungimo mygtuką (B). (Pav. 26)
 - a) Gaminys įjungtas, kai įsižiebia žali šviesos diodai (A).
 - b) Gaminys išjungtas, kai žali šviesos diodai užgesa.
2. Žr. *Gedimai ir jų šalinimas psl. 282* jeigu šviečia arba mirksi įspėjamasis indikatorius (C).

Maitinimo jungiklio užrakto patikra

Maitinimo jungiklio fiksatoriaus apsaugo nuo atsitiktinio paleidimo. Nuspaudus maitinimo jungiklio fiksatorių (A) maitinimo jungiklis (B) atleidžiamas. Atleidus rankeną,

ties maitinimo jungiklis, tiek jo fiksatorius grįžta į pradinę padėtį. (Pav. 27)

1. Patikrinkite, ar maitinimo jungiklis yra užfiksuotas, kai maitinimo jungiklio fiksatorius yra savo pradinėje padėtyje.

(Pav. 28)

2. Paspauskite maitinimo jungiklį ir patikrinkite, ar atleistas jis grįžta į savo pradinę padėtį.

(Pav. 29)

3. Patikrinkite, ar maitinimo jungiklis ir jo fiksatorius laisvai juda, o grįžimo spyruoklė veikia tinkamai.

(Pav. 30)

4. Paleiskite gaminį. Žr. *Gaminio paleidimas psl. 279*.

5. Atleiskite maitinimo jungiklį ir įsitikinkite, kad pjovimo įtaisas visiškai sustoja.

Pjovimo įtaiso apsaugo patikra



PERSPĖJIMAS: Nenaudokite pjovimo įtaiso be patvirtinto ir tinkamai uždėto pjovimo įtaiso apsaugo. Visuomet naudokite rekomenduojamą pjovimo įtaisui pritaikytą apsaugą, žr. *Techniniai duomenys psl. 283*. Jei sumontuota netinkama ar sugedusi pjovimo įtaiso apsauga, galima sunkiai susižeisti.

Pjovimo įtaiso apsauga sustabdo operatoriaus kryptimi išsviedžiamus objektus. Taip pat pjovimo įtaiso apsauga saugo, kad nesusižeistumėte palietę pjovimo įtaisą.

1. Išjunkite variklį.
2. Apžiūrėkite, ar apsauga nesugadinta, pavyzdžiui, neįskilusi.
3. Jeigu pjovimo įtaiso apsauga sugadinta, ją pakeiskite.

Pjovimo įranga

Pasirinkite tinkamą pjovimo įrangą ir atlikite pjovimo įrangos priežiūros darbus, kad:

- išgautumėte maksimalią pjovimo jėgą;
- pailgintumėte pjovimo įrangos eksploataavimo trukmę.



PERSPĖJIMAS: Pjovimo įrangą naudokite tik su mūsų rekomenduojama apsauga! Žr. *Techniniai duomenys psl. 283*. Žiūrėkite pjovimo įrangos instrukcijas tam, kad galėtumėte tinkamai įdėti pjovimo

lyną bei parinkti tinkamą žoliapjovės lyno skersmenį.



PERSPĖJIMAS: Pažeista pjovimo įranga padidina nelaimingų atsitikimų pavojų.

Žoliapjovės galvutė



PERSPĖJIMAS: Siekiant išvengti pavojingos vibracijos, visuomet įsitikinkite, kad žoliapjovės lynas standžiai ir tolygiai apvyniotas apie būgną.

(Pav. 31)

- Naudokite tik tai rekomenduojamas žoliapjovės galvutes ir žoliapjovės lynus.
- Naudokite tik rekomenduojamus pjovimo įtaisus.
- Mažesniems įrenginiams reikia mažesnių žoliapjovės galvučių ir atvirksčiai.
- Taip pat svarbus žoliapjovės lyno ilgis. Ilgesniam lynui sukti reikia stipresnio variklio nei to paties storio trumpesniam lynui.
- Patikrinkite, ar nepažeistas prie apsauginio žoliapjovės skydelio pritvirtintas peilis. Jis nupjauna reikiamo ilgio žoliapjovės lyną.
- Prieš naudodami žoliapjovės lyną, pamirkykite jį porą dienų vandenyje, kad prailgėtų jo eksploataavimo laikas.

Akumuliatorių naudojimo sauga



PERSPĖJIMAS: Perskaitykite visus saugos ir bendruosius nurodymus. Nesilaikant saugos ir bendrųjų nurodymų, gali įvykti elektros smūgis, gaisras ir (arba) patirti sunkių sužalojimų. **Išsaugokite visą saugos informaciją ir bendruosius nurodymus, kad galėtumėte pasinaudoti ateityje.**

- Šie saugos nurodymai taikomi tik **POWER FOR ALL** sistemos 18 V įkraunamiems ličio jonų akumuliatoriams.
- Įkraunamą akumuliatorių naudokite tik **POWER FOR ALL** sistemos partnerių gaminiuose. **POWER FOR ALL** Etiketė paženkinti 18 V įkraunami akumuliatoriai visiškai suderinami su šiais gaminiais:
 - Visais 18 V **POWER FOR ALL** akumuliatorių sistemos gaminiais.
 - Visais **POWER FOR ALL** sistemos partnerių 18 V gaminiais.
- **Laikykites akumuliatoriaus naudojimo rekomendacijų, pateiktų jūsų gaminio naudojimo instrukcijoje.** Tik tokiu būdu galima saugiai naudoti įkraunamą akumuliatorių ir gaminį

bei apsaugoti įkraunamus akumuliatorius nuo pavojingos perkrovos.

- **Akumuliatorius įkraukite tik gamintojo arba **POWER FOR ALL** sistemos partnerių rekomenduojamais įkrovikliais.** Vieno tipo akumuliatoriui tinkamą įkroviklį naudojant kito tipo akumuliatoriui įkrauti, gali kilti gaisro pavojus.
- **Naujas akumuliatorius yra iš dalies įkrautas.** Prieš pirmą kartą naudodami elektrinį įrankį, norėdami užtikrinti maksimalią akumuliatoriaus talpą, visiškai įkraukite akumuliatorių įkrovikliu.
- **Akumuliatorių blokus laikykite vaikams neprieinamoje vietoje.**
- **Neatidarykite akumuliatoriaus.** Yra trumpojo jungimo pavojus.
- **Pažeidus arba netinkamai naudojant akumuliatorių, gali pasklisti garai.** Akumuliatorius gali užsiliepsnoti arba sprogti. Patyrus nepageidaujamą poveikį, pasirūpinkite, kad vieta būtų gerai vėdinama ir kreipkitės į gydytoją. Garai gali dirginti kvėpavimo sistemą.
- **Jei akumuliatorius naudojamas netinkamai arba yra pažeistas, iš jo gali ištekėti degus skystis. Venkite sąlyčio su šiuo skystčiu. Netyčinio sąlyčio atveju nuplaukite vandeniu. Jei skystis pateko į akis, kreipkitės į gydytoją.** Iš akumuliatoriaus ištekėjęs skystis gali sudirginti arba nudeginti.
- **Jei akumuliatorius yra pažeistas, iš jo gali ištekėti skystis ir pasklisti ant netoliese esančių paviršių. Patikrinkite paveiktas dalis.** Nuvalykite šias dalis arba, jei reikia, pakeiskite jas.
- **Nesukelkite akumuliatorių bloko trumpojo jungimo. Nenaudojamą akumuliatorių bloką laikykite toliau nuo metalinių daiktų, galinčių sukurti jungtį tarp gnybtų, pavyzdžiui, sąvaržėlių, monetų, raktų, vinių, varžtų ir kitų smulkių metalinių daiktų.** Trumpai sujungus akumuliatoriaus gnybtus gali kilti gaisras arba galite nudegti.
- **Akumuliatorių galima pažeisti smaliais daiktais, pavyzdžiui, vinimis ar atsuktuvais, arba iš išorės paveikiant jėga.** Gali įvykti vidinis trumpasis jungimas, dėl kurio akumuliatorius gali užsiliepsnoti, skleisti dūmus, sprogti ar perkaisti.
- **Niekada neapžiūrėkite pažeistų akumuliatorių bloką.** Akumuliatorių bloką techninę priežiūrą gali atlikti tik gamintojas arba įgalioti paslaugų teikėjai.
- **Saugokite akumuliatorių nuo šilumos, pvz., nuo ilgalaikio buvimo intensyvioje saulės šviesoje, ugnies, nešvarumų, vandens ir drėgmės.** Akumuliatorius gali sprogti arba įvykti trumpasis jungimas.
- **Akumuliatorių gaminyje naudokite tik kai aplinkos temperatūra yra -5 °C — 40 °C.**
- **Akumuliatorių laikykite tik tokiomis sąlygomis, kuriomis aplinkos temperatūra yra -20 °C — 50 °C.** Nepalikite akumuliatoriaus savo automobilyje, pavyzdžiui, vasarą. Esant < 0 °C temperatūrai, kai kurių įrenginių galia gali sumažėti.

- Akumuliatorių įkraukite tik kai aplinkos temperatūra yra 0 °C — 35 °C. Kraunant ne šiame temperatūros intervale, didėja akumuliatoriaus pažeidimo rizika ir kyla gaisro pavojus.

Įkroviklio sauga



PERSPĖJIMAS: Perskaitykite visus saugos ir bendruosius nurodymus.

Nesilaikant saugos ir bendrųjų nurodymų, gali įvykti elektros smūgis, gaisras ir (arba) patirti sunkių sužalojimų. **Šias naudojimo instrukcijas laikykite saugioje vietoje.** Įkroviklį naudokite tik tuo atveju, jei galite visiškai įvertinti visas funkcijas ir jas atlikti be apribojimų, arba esate gavę atitinkamas instrukcijas.

- Naudojant, valant ir atliekant techninės priežiūros darbus, nepalikite vaikų be priežiūros. Tokiu būdu užtikrinsite, kad vaikai nežaistų su įkrovikliu.
- Įkraukite tik 18 V POWER FOR ALL sistemos 1,5 Ah ar didesnės talpos (5 ar daugiau galvinių elementų) ličio jonų akumuliatorius. Akumuliatoriaus įtampa turi atitikti įkroviklio akumuliatorių įkrovimo įtampą. Nekraukite jokių neįkraunamų akumuliatorių. Priešingu atveju gali kilti gaisras arba sprogdimas.
- Nelaikykite įkroviklio lietuje arba drėgnoje aplinkoje. Į įrenginį patekęs vanduo padidina elektros smūgio pavojų.
- Rūpinkitės įkroviklio švara. Nešvarumai kelia elektros smūgio pavojų.
- Prieš naudodami, būtinai patikrinkite įkroviklį, kabelį ir kištuką. Aptikę pažeidimų, nustokite naudoti įkroviklį. Neatidarykite įkroviklio patys ir atiduokite jį taisyti tik kvalifikuotam specialistui naudojant tik originalias atsargines dalis. Pažeisti įkrovikliai, kabeliai ir kištukai padidina elektros smūgio pavojų.
- Nenaudokite įkroviklio ant lengvai užsiliepsnojančio paviršiaus (pvz., popieriaus, tekstilės ir kt.) arba degioje aplinkoje. Kadangi naudojant įkroviklis įkaista, gali kilti gaisro pavojus.
- Akumuliatorius kraukite tik gamintojo nurodytu įkrovikliu. Įkroviklis, tinkamas vienam akumuliatorių blokui, gali sukelti gaisro pavojų, naudojamas kitam akumuliatorių blokui įkrauti.
- Pažeidus arba netinkamai naudojant akumuliatorių, gali pasklisti garai. Patyrus nepageidaujamą poveikį, pasirūpinkite, kad vieta būtų gerai vėdinama ir kreipkitės į gydytoją. Garai gali dirginti kvėpavimo sistemą.
- Naudojant nepalankiomis sąlygomis, iš akumuliatoriaus gali ištekėti skystis. Venkite sąlyčio su šiuo skystčiu. Netyčinio sąlyčio atveju nuplaukite vandeniu. Jei skystis pateko į akis, kreipkitės į gydytoją. Iš akumuliatoriaus ištekėjęs skystis gali sudirginti arba nudeginti.
- Neuždenkite įkroviklio ventiliacijos angų. Priešingu atveju įkroviklis gali perkaisti ir pradėti netinkamai veikti.

- Siekiant laikytis saugos priemonių ir išvengti pavojų, prireikus pakeisti maitinimo laidą, šį darbą turi atlikti „Husqvarna“ arba „Husqvarna“ elektrinius įrankius taisyti įgaliotas klientų aptarnavimo centras.
- Tik Didžiojoje Britanijoje paruodami gaminiai: Jūsų gaminyje įtaisytas BS 1363/A patvirtintas elektros kištukas su vidiniu saugikliu (ASTA patvirtintas pagal BS 1362). Jei kištukas netinkamas jūsų maitinimo lizdams, įgaliotasis klientų aptarnavimo centro atstovas jį turėtų nupjauti ir vietojį pritvirtinti tinkamą kištuką. Pakeitimui naudojamo kištuko saugiklio parametrai turi būti tokie pat, kaip originalaus kištuko. Nupjautą kištuką reikia pašalinti, siekiant išvengti galimo trumpojo jungimo pavojaus, ir jo jokiū būdu negalima kišti į kitus elektros maitinimo tinklo lizdus.



PERSPĖJIMAS: Širdies sustojimas!

Šis įrenginys veikdamas sukuria elektromagnetinį lauką. Tam tikromis aplinkybėmis šis laukas gali trikdyti aktyviųjų arba pasyviųjų mediciniinių implantų veiklą. Kad sumažėtų sunaikina ar netgi mirtino sužeidimo pavojus, mediciniinių implantų turintiems asmenims rekomenduojame prieš naudojant šį gaminį pasitarti su gydytoju ir implanto gamintoju.



PERSPĖJIMAS: Pavojus uždusti!

Surenkant gaminį vaikai gali praryti mažas dalis. Taip pat gali uždusti žaisdami plastikiniu maišeliu. Surinkdami gaminį neleiskite šalia būti vaikams.

Priežiūros saugos instrukcijos



PERSPĖJIMAS: Prieš atlikdami gaminio techninę priežiūrą, perskaitykite toliau esančius įspėjimus.

- Prieš atlikdami techninę priežiūrą, kitą patikrą ar montuodami įrenginį, išimkite akumuliatorių.
- Operatorius gali atlikti tik tokius priežiūros ir techninės priežiūros darbus, kurie aprašyti šiame operatoriaus vadove. Dėl didesnių techninės priežiūros ir aptarnavimo darbų kreipkitės į techninės priežiūros atstovą.
- Nevalykite akumuliatoriaus ar įkroviklio vandeniu. Stiprus ploviklis gali sugadinti įrenginį.
- Neatliekant techninės priežiūros trumpėja įrenginio naudojimo laikas ir didėja nelaimingų atsitikimų pavojus.
- Visiems techninės priežiūros ir remonto darbams atlikti būtini specialūs mokymai, ypač atliekant su sauga susijusios įrangos priežiūrą. Jeigu atlikus techninę priežiūrą patvirtinti ne visi šiame naudotojo vadove nurodyti punktai, kreipkitės į techninės priežiūros atstovą. Garantuojame, kad jis suteiks

profesionalią priežiūrą ir atliks gaminio techninės priežiūros darbus.

- Naudokite tik originalias atsargines dalis.

Surinkimas

Įvadas



PERSPĖJIMAS: Prieš surinkdami gaminį perskaitykite ir supraskite skyrių apie saugą.

Žoliapjovės apsauginio elemento tvirtinimas

1. Atremkite žoliapjovės apsaugą į variklio korpusą. (Pav. 32)
2. Įsukite 2 varžtus į variklio korpusą ir žoliapjovės apsaugą. (Pav. 33)
3. Priveržkite varžtus.

Žoliapjovės galvutės surinkimas

1. Sukite darbinį veleną, kol varančiojo disko anga susilygiuos su pavaru dėžės anga.
2. Į angą įkiškite kombinuotąjį įrankį, kad gerai pritvirtintumėte veleną.
3. Pasukite žoliapjovės galvutę pagal laikrodžio rodyklę. (Pav. 34)

Augalų apsaugos įrengimas

1. Augalų apsaugą įkiškite į angas variklio korpuse. (Pav. 35)

2. Įsitinkinkite, kad augalų apsauga gali laisvai judėti į priekį ir atgal. (Pav. 36)

Kablų montavimas prie sienos

- Kablų montuokite patalpoje.
- Kablo negali veikti tiesioginiai saulės spinduliai ir jis turi būti montuojamas tokioje vietoje, kur aplinkos temperatūra yra nuo -10 iki 70 °C.
- Kablų montuokite ant gipso kartono plokštės, medinės ar betoninės sienos.



PASTABA: Įsitinkinkite, kad siena gali išlaikyti mažiausiai 30 kg apkrovas.

- Pritvirtinkite kablų prie sienos 3 varžtais (A). Jei reikia, naudokite sieninius kaiščius (B). (Pav. 37)



PASTABA: Įsitinkinkite, kad varžtai atitinka sienos tipą.

- Dėl informacijos apie galimus sandėliavimo priedus, skirtus jūsų gaminiiui, kreipkitės į Husqvarna techninės priežiūros atstovą.

Naudojimas

Įvadas



PERSPĖJIMAS: Prieš naudodami gaminį perskaitykite ir supraskite skyrių apie saugą.

Veiksmai prieš naudojant įrenginį

- Apžiūrėkite darbo vietą, kad žinotumėte reljefo tipą. Apžiūrėkite grunto nuolydį, pažiūrėkite, ar yra kliūčių, pvz., akmenų, šakų ir griovių.
- Atlikite bendrąjį įrenginio patikrą.
- Atlikite šioje instrukcijoje aprašytas saugos patikras, priežiūros ir techninės priežiūros procedūras.
- Patikrinkite, ar variklis švarus ir jame nėra įtrūkių. Nuvalykite nuo variklio žolę ir lapus šepečiu. Jei reikia, apsimaukite pirštines.
- Patikrinkite, ar nesugadinta ir neįskilusi žoliapjovės galvutė ir pjovimo įrangos apsauga. Sugadintą arba įskilusią žoliapjovės galvutę ir pjovimo įrangos apsaugą pakeiskite.

- Patikrinkite, ar veržlės ir varžtai priveržti.
- Prieš paleisdami gaminį pasirūpinkite, kad visi dangčiai, apsaugai, rankenos ir pjovimo įtaisai būtų tinkamai pritvirtinti ir nesugadinti.

Akumulatorius



PERSPĖJIMAS: Prieš naudodami akumuliatorių perskaitykite ir supraskite saugos skyriaus informaciją. Taip pat turite perskaityti ir suprasti akumulatoriaus bei akumulatoriaus įkroviklio naudojimo instrukcijas.

Akumuliatorių ir akumulatoriaus įkroviklį laikykite tinkamoje aplinkos temperatūroje.

	Aplinkos temperatūra
Gaminio akumulatoriaus veikimas	-5 °C — 40 °C

	Aplinkos temperatūra
Akumuliatoriaus įkrovimas	0 °C — 35 °C

Akumuliatoriaus įkrovimas

Prieš naudodami pirmą kartą, akumuliatorių įkraukite.

Pasižymėkite: Jei akumuliatoriaus temperatūra yra didesnė nei +35 °C, jo nepavyks įkrauti.

1. Prijunkite kitą akumuliatoriaus įkroviklio maitinimo laido galą prie įžeminto elektros maitinimo tinklo.



PASTABA: Patikrinkite, ar elektros maitinimo tinklo įtampa ir dažnis yra tinkamas.

2. Akumuliatorių įstatykite į įkroviklį. Akumuliatorius prijungtas prie akumuliatoriaus įkroviklio, kai mirksi žalias šviesos diodas. (Pav. 38)
3. Akumuliatorius visiškai įkrautas, kai ant akumuliatoriaus įkroviklio esantis šviesos diodas šviečia žalia spalva. Akumuliatorių kraukite daugiausia 24 valandas.
4. Atjunkite akumuliatoriaus įkroviklį (3) nuo maitinimo tinklo.



PASTABA: Netraukite už elektros laido.

5. Iš įkroviklio išimkite akumuliatorių.

Akumuliatoriaus būsenos šviesos diodas ant akumuliatoriaus įkroviklio

Raudonas LED (A) ir žalias LED (B) ant akumuliatoriaus įkroviklio rodo akumuliatoriaus būseną. Žr. *Akumuliatoriaus būsenos LED ant gaminio psl. 279.*

(Pav. 39)

Šviesos diodas	Akumuliatoriaus būseną
Žalias LED mirksi greitai.	Akumuliatorius įkraunamas.
Žalias LED mirksi lėtai.	Akumuliatorius įkrautas 80 %.
Žalias LED šviečia.	Akumuliatorius visiškai įkrautas.
Raudonas LED šviečia.	Žr. <i>Akumuliatoriaus būsenos LED ant gaminio psl. 279.</i>
Raudonas LED mirksi greitai.	Žr. <i>Akumuliatoriaus būsenos LED ant gaminio psl. 279.</i>

Akumuliatoriaus būsenos LED ant gaminio

Kai akumuliatorius įtaisytas į gaminį, akumuliatoriaus būseną rodo ant gaminio esantys šviesos diodai.

(Pav. 40)

Šviesos diodas	Akumuliatoriaus būseną
Šviečia 1, 2 ir 3 LED.	Visiškai įkrautas.
Šviečia 1 ir 2 LED.	Pakankamai įkrautas
Šviečia 1 LED.	Akumuliatoriaus įkrovo lygis yra mažas.
1 LED mirksi	Akumuliatorius išsekęs. Mirksi akumuliatoriaus būsenos indikatorius. Įkraukite akumuliatorių. Žr. <i>Akumuliatoriaus įkrovimas psl. 279.</i>

Akumuliatoriaus prijungimas prie įrenginio



PERSPĖJIMAS: Akumuliatorių dėkite tik į 18 V POWER FOR ALL sistemos gaminius.

1. Įsitinkite, kad akumuliatorius visiškai įkrautas.
2. Įstatykite akumuliatorių į įrenginio akumuliatoriaus laikiklį. Akumuliatorius turi lengvai įsistatyti į laikiklį. Jei neįsistato, vadinasi, jis įdėtas netinkamai.

(Pav. 41)

3. Akumuliatorius bus užfiksuotas tada, kai išgirsite spragtelėjimą.

Gaminio paleidimas

1. Paspauskite ir palaikykite paspaudę įjungimo / išjungimo mygtuką, kol įsižiebs žalias šviesos diodas. (Pav. 42)
2. Paspauskite maitinimo jungiklio fiksuotojų ir maitinimo jungiklį. Pjovimo įranga pradeda sukintis.

Kilpinės rankenos ir teleskopinio veleno reguliavimas

1. Paspauskite kilpinės rankenos reguliavimo mygtuką.

(Pav. 43)

2. Nustatykite tinkamą kilpinės rankenos kampą.
3. Atleiskite kilpinės rankenos reguliavimo mygtuką.
4. Atsukite ant veleno esančią svirtį. (Pav. 44)

5. Ant veleno nustatykite reikiamą ilgį.
6. Uždarykite svirtį ir priveržkite varžtą.

Pasizymėkite: Dvi kilpinės rankenos padėtyš toliau pateiktame paveikslėlyje skirtos tik gabenimui ir (arba) sandėliavimui.

(Pav. 45)

Automatinio išjungimo funkcija

Šis gaminys turi automatinio išjungimo funkciją, kuri išjungia gaminį, jei jis nenaudojamas. Gaminys išjungiamas po 3 minutes.

Gaminio naudojimas

Žolės trumpinimas

1. Kampu pasuktą žoliapjovės galvutę laikykite prie pat žemės. Nespauskite žoliapjovės linelio prie žolės. (Pav. 46)
2. Sutrumpinkite žoliapjovės lynelį 8–10 cm / 3,15–4 col.

Aukštos žolės pjovimas

1. Laikykite žoliapjovės galvutę virš žemės.
2. Pakreipkite žoliapjovės galvutę.
3. Pjaukite pjovimo lynelio galiuku aplink darbo vietoje esančius daiktus.



PASTABA: Pjaukite tik žolę. Pjovimo lynelis greičiau nusidėvi, jei juo užkliudomi kiti daiktai.

Žolės pjovimas

1. Pjaudami žolę stenkitės pjovimo lynelį laikyti lygiagrečiai žemei. (Pav. 47)

2. Nespauskite žoliapjovės galvutės prie žemės. Antraip galima sugadinti gaminį.
3. Pjaudami žolę judinkite įrenginį iš vienos pusės į kitą. (Pav. 48)

Žolės šlavimas

Besisukančio žoliapjovės lyno sukuriama oro srautu galima iš teritorijos pašalinti nupjautą žolę.

1. Laikykite žoliapjovės galvutę ir pjovimo lynelį lygiagrečius žemės paviršiui ir aukščiau jo.
2. Judinkite žoliapjovės galvutę iš vienos pusės į kitą ir taip šluokite žolę.



PERSPĖJIMAS: Kaskart dėdami naują žoliapjovės lyną nuvalykite žoliapjovės galvutę, kad ji neišsibalansuotų ir neviruotų rankenos. Be to, patikrinkite ir prireikus valykite kitas žoliapjovės galvutės dalis.

Gaminio sustabdymas

1. Atleiskite maitinimo jungiklį ir maitinimo jungiklio fiksatorių.
2. Paspauskite ir palaikykite nuspaudę įjungimo / išjungimo mygtuką, kol užges žalias šviesos diodas.
3. Paspauskite atlaisvinimo mygtuką ir išimkite akumuliatorių iš gaminio. (Pav. 49)

Žoliapjovės lynelio keitimas

Žr. paskutinį šios naudojimo instrukcijos puslapį.

Techninė priežiūra

Įvadas



PERSPĖJIMAS: Prieš prižiūradami produktą, perskaitykite ir supraskite saugos skyrių.

Priežiūros grafikas



PERSPĖJIMAS: Prieš atlikdami priežiūros darbus išimkite akumuliatorių.

Toliau pateiktas būtinų gaminio priežiūros darbų sąrašas. Daugiau informacijos žr. *Techninė priežiūra psl. 280*

Techninės priežiūros darbas	Kasdien	Kiekvie- ną sa- vaitę	Kiekvie- ną mėnesį
Nuvalykite išorines gaminio dalis sausa šluoste. Nenaudokite vandens.	X		
Patikrinkite, ar paleidimo ir stabdymo jungiklis gerai veikia ir nėra pažeistas.	X		
Patikrinkite, ar maitinimo jungiklio ir paties mygtuko fiksavimo funkcija veikia saugiai.	X		
Įsitikinkite, kad visi valdikliai veikia ir nėra pažeisti.	X		
Rankenos visuomet turi būti sausas, švarios ir neišteptos alyva ar tepalais.	X		
Įsitikinkite, kad nepažeistas pjovimo įtaisas. Pakeiskite pjovimo įtaisą, jei jis sugadintas.	X		
Įsitikinkite, kad pjovimo įtaiso apsaugas nepažeistas. Jeigu pjovimo įtaiso apsau- ga sugadinta, ją pakeiskite.	X		
Patikrinkite, ar gerai priveržtos veržlės ir varžtai.	X		
Įsitikinkite, kad tinkamai veikia akumulatoriaus atlaisvinimo mygtukai ir akumu- liatorius fiksuojamas prie gaminio.	X		
Apžiūrėkite, ar akumulatoriaus įkroviklis nepažeistas ir veikia tinkamai.	X		
Įsitikinkite, kad akumulatorius nepažeistas.	X		
Patikrinkite, ar akumulatorius įkrautas.	X		
Įsitikinkite, kad akumulatoriaus įkroviklis nepažeistas.	X		
Patikrinkite visus kabelius, movas ir jungtis. Įsitikinkite, kad jie nepažeisti ir ant jų nėra purvo.		X	
Patikrinkite jungtis tarp akumulatoriaus ir gaminio. Patikrinkite jungtį tarp akumu- liatoriaus ir akumulatoriaus įkroviklio.			X

Akumulatoriaus ir akumulatoriaus įkroviklio patikra

1. Patikrinkite, ar nepažeistas akumulatorius, pvz., nėra įtrūkimų.
2. Patikrinkite, ar nepažeistas akumulatorių įkroviklis, pvz., nėra įtrūkimų.
3. Įsitikinkite, kad akumulatoriaus įkroviklio prijungimo laidas nepažeistas ir be įtrūkimų.

Įrenginio, akumulatoriaus ir akumulatorių įkroviklio valymas

1. Baigę darbą nuvalykite įrenginį sausa šluoste.
2. Nuvalykite akumulatorių ir akumulatorių įkroviklį sausa šluoste. Akumulatoriaus uždėjimo takeliai turi būti švarūs.
3. Prieš įstatydami akumulatorių į akumulatorių įkroviklį ar įrenginį, įsitikinkite, kad akumulatoriaus kontaktai ir akumulatorių įkroviklio kontaktai yra švarūs.

Žoliapjovės galvutės patikra ir keitimas

1. Apžiūrėkite, ar žoliapjovės galvutė nėra sugadinta ir įskilusi.
2. Sukite darbinį veleną, kol varančiojo disko anga susilygiuos su pavaru dėžės anga.
3. Į angą įkiškite kombinuotąjį įrankį, kad gerai pritvirtintumėte veleną.
4. Pasukite žoliapjovės galvutę prieš laikrodžio rodyklę.

(Pav. 50)

5. Uždėkite žoliapjovės galvutę.
6. Surinkite žoliapjovės galvutę. Žr. *Žoliapjovės galvutės surinkimas psl. 278*.

Gedimai ir jų šalinimas

Naudotojo sąsaja

Problema	Galimi gedimai	Galimas sprendimas
Mirksi žalios spalvos paleidimo šviesos diodas.	Nepakankama baterijos įtampa.	Įkraukite akumuliatorių.
Mirksi raudonas klaidos LED indikatorius.	Perkrova.	Pjovimo įtaisas negali laisvai judėti. Nuimkite pjovimo įtaisą.
	Temperatūros svyravimai.	Leiskite produktui atvėsti.
	Maitinimo jungiklis ir paleidimo mygtukas spaudžiami vienu metu.	Atleiskite maitinimo jungiklį ir nuspauskite užvedimo mygtuką.
Žalias ir raudonas LED mirksi pakaitomis.	Akumuliatorius išsikrovęs.	Įkraukite akumuliatorių.
	Akumuliatorius pažeistas.	Kreipkitės į techninės priežiūros atstovą.

Akumuliatoriaus įkroviklis

Akumuliatoriaus įkroviklio LED	Priežastis	Sprendimas
Žalias LED šviečia, o raudonas LED mirksi.	Akumuliatorius netinkamai įdėtas į akumuliatoriaus įkroviklį.	Išimkite akumuliatorių iš įkroviklio ir vėl jį įdėkite.
	Akumuliatoriaus jungimo gnybtai nešvarūs.	Nuvalykite akumuliatoriaus jungimo gnybtus.
	Aplinkos temperatūra per aukšta arba per žema.	Akumuliatoriaus įkroviklį naudokite nuo 0 iki +35 °C temperatūros sąlygomis.
	Akumuliatorius sugedęs.	Pakeiskite akumuliatorių.
Žalias ir raudonas LED nešviečia.	Akumuliatoriaus įkroviklis netinkamai prijungtas prie elektros maitinimo tinklo lizdo.	Prijunkite akumuliatoriaus įkroviklį prie maitinimo lizdo.
	Sugedęs elektros maitinimo tinklo lizdas.	Prijunkite įkroviklį prie informacinėje plokštelėje nurodytos įtampos ir dažnio maitinimo šaltinio.
	Akumuliatoriaus įkroviklio laidas sugedęs.	Kreipkitės į patvirtintą techninės priežiūros atstovą.
	Akumuliatoriaus įkroviklis sugedęs.	
Kitos klaidos.	Jei atsiranda kitų klaidų, įsitikinkite, kad gaminys išjungtas, išimkite akumuliatorių ir kreipkitės į patvirtintą techninės priežiūros atstovą.	

Transportavimas, saugojimas ir utilizavimas

Gabenimas ir laikymas

- Pateikiamam ličio jonų akumuliatoriui taikomos pavojingų krovinių gabenimo taisyklės.
- Laikykitės specialių komercinių krovinių gabenimui, įskaitant trečiųjų šalių ar tarpininko transporto priemonėmis, taikomų reikalavimų dėl pakavimo ir ženklavimo.
- Pasitarkite su pavojingų medžiagų gabenimo specialistu prieš siųsdami įrenginį. Laikykitės visų taikomų nacionalinių reikalavimų.
- Pakuodami akumuliatorių uždėkite juosta ant atvirų kontaktų. Tvirtai supakuokite akumuliatorių, kad jis nejudėtų.
- Sandėliavimo ar transportavimo metu atjunkite akumuliatorių.
- Akumuliatorių ir akumuliatorių įkroviklį laikykite sausoje, drėgnoje ir teigiamos temperatūros vietoje.
- Nelaikykite akumuliatoriaus tokioje vietoje, kur gali susidaryti statiniai krūviai. Nelaikykite akumuliatoriaus metalinėje dėžutėje.
- Laikykite akumuliatorių vietoje, kurios temperatūra nuo $-20\text{ }^{\circ}\text{C}$ / $-4\text{ }^{\circ}\text{F}$ iki $+50\text{ }^{\circ}\text{C}$ / $122\text{ }^{\circ}\text{F}$, saugokite nuo tiesioginių saulės spindulių.
- Laikykite akumuliatorių įkroviklį vietoje, kurios temperatūra nuo $5\text{ }^{\circ}\text{C}$ / $41\text{ }^{\circ}\text{F}$ iki $45\text{ }^{\circ}\text{C}$ / $113\text{ }^{\circ}\text{F}$, saugokite nuo tiesioginių saulės spindulių.
- Gaminį laikykite aplinkoje, kurios temperatūra nuo $-40\text{ }^{\circ}\text{C}$ / $-40\text{ }^{\circ}\text{F}$ ir $+60\text{ }^{\circ}\text{C}$ / $140\text{ }^{\circ}\text{F}$.
- Akumuliatoriaus įkroviklį naudokite, tik kai aplinkos temperatūra yra $0\text{--}32\text{ }^{\circ}\text{C}$ / $35\text{--}95\text{ }^{\circ}\text{F}$.
- Prieš saugodami ilgesnį laiką pasirūpinkite, kad akumuliatorius būtų įkrautas 30–50 %.

- Akumuliatorių įkroviklį laikykite uždaroje ir sausoje patalpoje.
- Saugodami išimkite akumuliatorių iš akumuliatoriaus įkroviklio. Neleiskite vaikams ar kitiems nepatvirtintiems asmenims liesti įrenginio. Įrenginį laikykite užrakinamoje vietoje.
- Prieš saugodami gaminį ilgesnį laiką, išvalykite jį ir atlikite visus techninės priežiūros darbus.
- Transportuodami ar sandėliuodami įrenginį naudokite įrenginio transportavimo apsaugą, kad išvengtumėte sužalojimų ar produkto sugadinimo.
- Gabendami saugiai pritvirtinkite įrenginį.
- Gaminį sandėlyje laikykite horizontalios padėties arba pakabintą ant komplekte pateikto kablio. *Kablo montavimas prie sienos psl. 278.*

(Pav. 51)

Akumuliatoriaus, akumuliatorių įkroviklio ir įrenginio šalinimas

Tolesnis simbolis nurodo, kad įrenginys nepriskiriamas būtinoms atliekoms. Nuvežkite jį į elektros ir elektronikos įrenginių perdirbimo punktą. Taip saugosite nuo taršos aplinką ir žmones.

Daugiau informacijos kreipkitės į atsakingas vietas institucijas, buitinių atliekų priežiūros tarnybą ar prekybos atstovą.

(Pav. 18)

Pasižymėkite: Simbolis, rodomas ar įrenginio arba įrenginio pakuotės.

Techniniai duomenys

Techniniai duomenys

	Aspire T28-P4A
Variklis	
Variklio tipas	PMDC
Galios atidavimo veleno greitis, aps./min	6800
Pjovimo plotis, mm	280
Svoris	
Svoris be akumuliatoriaus, kg	2,6
Svoris su akumuliatoriumi (P4A 18-B45 / P4A 18-B70), kg	3,0/3,3

	Aspire T28-P4A
Skleidžiamas triukšmas ⁴⁰	
Garso galios lygis, išmatuotas dB (A)	85
Garso galios lygis, garantuojamas L _{WA} dB (A)	88
Triukšmo lygiai ⁴¹	
Ekvivalentinis garso slėgio lygis naudotojo ausyse, išmatuotas pagal EN ISO 50636-2-91, dB (A):	73
Vibracijos lygis ⁴²	
Vibracijos lygis rankenoje išmatuotas pagal EN50636-2-91, m/s ²	2,26 / 1,61
Sumontuota pjovimo galvutė (originalas), priekis / galas.	

Akumulatorius	P4A 18-B45	P4A 18-B72
Tipas	Ličio jonų	Ličio jonų
Akumulatoriaus talpa, Ah	Žr. akumulatoriaus nominaliųjų parametrų lipduką	Žr. akumulatoriaus nominaliųjų parametrų lipduką
Nominali įtampa, V	18	18
Svoris, kg	0,4	0,7

Akumulatoriaus įkroviklis	P4A 18-C70
Maitinimo įtampa, V	220–240
Dažnis, Hz	50–60
Galia, W	70
Išėjimo įtampa, V nuol. srovė / Amperai, A	14,4–18 / 3

⁴⁰ Triukšmas, skleidžiamas į aplinką, išmatuotas kaip garso galia (L_{WA}) pagal EB direktyvą 2000/14/EB. Skirtumas tarp garantuojamojo ir matuojamojo garso stiprumo yra tas, kad pagal Direktyvą 2000/14/EB garantuojamasis garso stiprumas apima ir matavimo rezultatų sklaidą bei nukrypimus tarp skirtingų to pačio modelio įrenginių.

⁴¹ Pateiktuose duomenyse apie ekvivalentinį gaminio garso slėgio lygį yra 3 dB (A) tipiška statistinė sklaida (standartinis nuokrypis).

⁴² Pateiktuose vibracijos lygio duomenyse yra 1,5 m/s² tipiška statistinė sklaida (standartinis nuokrypis).

Priedai

Patvirtinti priedai

Patvirtinti priedai	Tipas	Pjovimo įrangos apsauginis elementas, gam. Nr.
Žoliapjovės galvutė	A15B M5 (Ø 1,6 mm lynelis)	536 47 32-01

Atitikties deklaracija

ES atitikties deklaracija

Mes, **Husqvarna AB**, SE-561 82 Huskvarna, Švedija, tel. +46-36-146500, atsakingai patvirtiname, kad gaminy:

Aprašymas	Akumuliatorinė žoliapjovė
Gamintojas	Husqvarna
Tipas / modelis	Aspire T28-P4A
Identifikacijos numeris	Serijos numeriai nuo šios datos: 2023 ir vėlesni

visiškai atitinka šias ES direktyvas ir reglamentus:

Direktyva / reglamentas	Aprašymas
2006/42/EB	„dėl mašinų“
2014/30/ES	„dėl elektromagnetinio suderinamumo“
2000/14/EB	„dėl į aplinką skleidžiamo triukšmo“
2011/65/ES	„dėl tam tikrų pavojingų medžiagų naudojimo elektros ir elektroninėje įrangoje apribojimo“

ir kad laikomasi šių standartų ir (arba) techninių specifikacijų: EN 60335-1:2012/A15:2021, EN 50636-2-91:2014, EN IEC 63000:2018, EN IEC 55014-1:2021; EN IEC 55014-2:2021.

Notifikuotoji įstaiga: 0158 DEKRA Testing and Certification GmbH, Handwerkstraße 15, 70565 Stuttgart, Germany patvirtino atitikties Tarybos direktyvai 2000/14/EB; atitikties įvertinimo procedūra: VI priedas.

Informacijos apie triukšmo emisiją žr. *Techniniai duomenys psl. 283.*

Huskvarna, 2023-12-14



Claes Losdal, Mokslinių tyrimų ir plėtros skyriaus vadovas, „Husqvarna AB“

Atsakingas už techninę dokumentaciją



Licencijos

Autorių teisės © 2012–2020 „STMicroelectronics“

Garantija netaikoma defektams, atsiradusiems dėl įprasto susidėvėjimo, aplaidumo, netinkamo naudojimo, neteisėto taismo arba siurbimo aparato prijungimo prie netinkamos įtampos lizdo.

Visos teisės saugomos.

Tolesnis platinimas (persikirstymas) ir naudojimas šaltinio bei dvejetainėmis formomis, su pakeitimais arba be jų, leidžiamas, jei laikomasi toliau nurodytų sąlygų:

- Atlikus šaltinio kodo tolesnius platinimus (persikirstymus), turi būti išsaugotas pirmiau minėtas pranešimas dėl autorių teisių, sąlygų sąrašas ir toliau pateiktas atsakomybės ribojimo pareiškimas.
- Atlikus tolesnius platinimus (persikirstymus) dvejetainine forma, platinant pateikiamoje dokumentacijoje ir (arba) kitoje medžiagoje turi būti atkurtas pirmiau minėtas pranešimas dėl autorių teisių, sąlygų sąrašas ir toliau pateiktas atsakomybės ribojimo (atsisakymo) pareiškimas.
- Neturint specialaus išankstinio rašytinio leidimo, iš šios programinės įrangos gautiems produktams patvirtinti ar reklamuoti negali būti naudojamas nei įmonės „STMicroelectronics“ pavadinimas, nei jos bendraautorių pavadinimai.

ŠIA PROGRAMINĘ ĮRANGĄ AUTORIŲ TEISIŲ TURĖTOJAI IR BENDRAAUTORIAI PATEIKIA „KAIP YRA“ IR VISAS AIŠKIAS AR NUMANOMAS GARANTIJAS, ĮSKAITANT, BET NEAPSIRIBOJANT, NUMANOMAS GARANTIJAS DĖL TINKAMUMO PREKYBAI AR KONKREČIAI PASKIRČIAI, YRA ATSAKOMA SUTEIKTI. AUTORIŲ TEISIŲ TURĖTOJAS AR BENDRAAUTORIAI JOKIU ATVEJU NEATSAKO UŽ JOKIĄ TIESIOGINĘ, NETIESIOGINĘ, ATSTITKINĘ, SPECIALIAI PADARYTĄ, PADARYTĄ NORINT ĮSPĖTI (PAGAŠDINTI) AR PASEKMINE ŽALA (ĮSKAITANT, BET NEAPSIRIBOJANT, PAKAITINIŲ PREKIŲ AR PASLAUGŲ PIRKIMĄ, NAUDOJIMO, DUOMENŲ AR PELNO NUOSTOLIUS ARBA VERSLO VEIKLOS SUTRIKDYMĄ), PATIRTĄ AR TEORIŠKAI GALIMĄ PATIRTI DĖL ATSAKOMYBĖS, NESVARBU AR PAGAL SUTARTĮ, GRIEŽTOS ATSAKOMYBĖS SĄLYGĄ, AR PAGAL DELIKTĄ (ĮSKAITANT DĖL NEATSARGUMO, APLAUDIMO AR KITOKIOS KALTĖS), BET KURIUO ATVEJU KYLANČIĄ DĖL ŠIOS PROGRAMINĖS ĮRANGOS NAUDOJIMO, NET JEI APIE TOKIOS ŽALOS KILIMO GALIMYBĘ YRA PRANEŠTA.

„Apache 2.0“ licencija

Autorių teisės © 2009–2019 „Arm Limited“. Visos teisės saugomos.

Versija 2.0, 2004 m. sausis, <http://www.apache.org/licenses/>

NAUDOJIMO, ATKŪRIMO IR PLATINIMO NUOSTATOS IR SĄLYGOS

1. Apibrėžimai.

„Licencija“ reiškia naudojimo, atkūrimo ir platinimo nuostatas ir sąlygas, kaip apibrėžta šio dokumento 1–9 skirsniuose. „Licencijos išdavėjas“ reiškia autorių teisių savininką ar Licenciją suteikiančio autorių teisių savininko įgaliotą subjektą. „Juridinis asmuo“ reiškia veikiančio subjekto ir visų kitų subjektų, kurie šį subjektą kontroliuoja arba yra jo kontroliuojami arba bendrai su juo vykdo kontrolę, sąjungą. Šiame apibrėžime sąvoka „kontrolė“ reiškia (i) tiesioginę arba netiesioginę tokio subjekto teisę vadovauti arba valdyti pagal sutartį ar kitu būdu, arba (ii) tokio subjekto nuosavybės teisę turėti penkiasdešimt procentų (50 %) ar daugiau apyvartoje esančių (neapmokėtų) akcijų arba (iii) būti tikruoju savininku. „Jūs“ (arba „Jūsūs“) reiškia asmenį arba Juridinį asmenį, besinaudojantį šia Licencija suteiktais leidimais. „Šaltinio“ forma reiškia pageidaujimą pakeitimų atlikimo formą, įskaitant, bet neapsiribojant, programinės įrangos šaltinio kodo, dokumentacijos šaltinio ir konfigūracijos failų pakeitimų atlikimo formą. „Objektas“ forma reiškia bet kokią formą, gaunamą mechaniškai transformuojant ar paverčiant Šaltinio formą, įskaitant, bet neapsiribojant, kompiliuoto objekto kodo, sugeneruotos dokumentacijos ir konvertavimo į kitų tipų laikmenas, formą. „Darbas“ reiškia autorystės darbą, nesvarbu, Šaltinio ar Objekto forma, kurį galima atlikti pagal Licenciją, kaip nurodyta pranešime dėl autorių teisių, kuris yra įtrauktas į darbą arba prie jo pridėtas (pavyzdys pateiktas Priede toliau). „Išvestiniai darbai“ reiškia bet kokį darbą, nesvarbu, Šaltinio ar Objekto forma, kuris yra pagrįstas Darbu (arba iš jo gautas ir kurio atžvilgiu parengtos redaguotos versijos, anotacijos, detalizavimai ar kiti pakeitimai bendrai reiškia autorystės originalų darbą. Šioje Licencijoje sąvoka Išvestiniai darbai neapima darbų, kurie lieka atskiriami nuo šiamo dokumente minimų sąsajų. Darbo ir Išvestinių darbų arba yra paprasčiausiai su jais susiję (ar susieti pagal pavadinimą). „Indėlis“ (bendradarbiavimo) reiškia bet kokį autorystės darbą, įskaitant originalią Darbo versiją ir bet kokius šio Darbo ar šiame dokumente minimų Išvestinių darbų pakeitimus, kuriuos specialiai pateikia Licencijos išdavėjas, kad juos į Darbą įtrauktų autorių teisių savininkas arba asmuo ar Juridinis asmuo, įgaliotas juos pateikti autorių teisių savininko vardu. Šiame apibrėžime sąvoka „pateikta“ reiškia bet kokią komunikacijos formą – elektroninę, žodinę ar rašytinę, kuria bendrauja Licencijos išdavėjas ar jo atstovai, įskaitant, bet neapsiribojant, komunikaciją naudojant elektroninio pašto adresų sąrašus, šaltinio kodo kontrolės sistemas ir problemų sekimo sistemas, kurias valdo Licencijos išdavėjas arba jo vardu veikiantis subjektas, siekiant aptarti ir tobulinti Darbą, tačiau neįskaitant komunikacijos, kurią autorių teisių savininkas akivaizdžiai pažymi ar kitaip raštu įvardija kaip „Ne indėlis.“ „Bendraautorius“ reiškia Licencijos išdavėją ar kitą asmenį arba Juridinį asmenį, kurio vardu Licencijos išdavėjas gauna Indėlį, kurį po to įtraukia į Darbą.

2. Autorių teisių licencijos suteikimas.

Atsižvelgiant į šios Licencijos nuostatas ir sąlygas, kiekvienas Bendraautorius šiuo dokumentu suteikia Jums neribotam laikui, pasaulinio masto, neišimtinę, nemokamą, neapmokestinamą autoriniais mokesčiais, neatšaukiamą autorių teisių licenciją atkurti bei paruošti Darbo Išvestinius darbus, viešai rodyti, viešai vykdyti, sublicencijuoti Darbą ir atitinkamus Išvestinius darbus Šaltinio arba Objekto forma.

3. Patento licencijos suteikimas.

Atsižvelgiant į šios Licencijos nuostatas ir sąlygas, kiekvienas Bendraautorius šiuo dokumentu suteikia Jums neribotam laikui, pasaulinio masto, neišimtinę, nemokamą, neapmokestinamą autoriniais mokesčiais, neatšaukiamą (išskyrus kaip nurodyta šiame skirsnyje) patento licenciją atlikti, nurodyti atlikti, naudoti, pasiūlyti parduoti, perduoti, importuoti ir kitaip perduoti Darbą, kai ši licencija taikoma tik tiems patento reikalavimams (apibrėžtims), licencijuotiniams tokio Bendraautoriaus, kurie yra neišvengiamai pažeidžiami jų paties (-ų) Indėlio (-ų) arba jų Indėlio (-ų) ir Darbo, kuriam toks (-ie) Indėlis (-iai) buvo pateiktas, derinio. Jeigu Jūs pradėsite ginčą (bylinėjimąsi) dėl patento su bet kuriuo subjektu (įskaitant kryžminio ieškinio arba priešieškinio iškėlimą) teigdami, jog Darbas ar į Darbą įtrauktas Indėlis tiesiogiai ar pagal bendraautorystės indėlį lemia patentų pažeidimą, tuomet bet kokios Jums pagal šią Licenciją šiam Darbui suteiktos patentų licencijos nutraukiamos nuo teisminės bylos iškėlimo datos.

4. Tolesnis platinimas (persikirstymas).

Jūs galite atkurti ir platinti šiame dokumente minimo Darbo ar Išvestinių darbų kopijas bet kokiose laikmenose, su pakeitimais arba be jų ir Šaltinio arba Objekto forma, jei Jūs laikotės toliau nurodytų sąlygų:

- Jūs privalote pateikti bet kuriems kitiems Darbo ar Išvestinių darbų gavėjams šios Licencijos kopiją; ir
- Jūs privalote pasirūpinti, kad į bet kokius pakeistus failus būtų įtrauktos gerai matomos pastabos, kuriose nurodyta, jog Jūs pakeitėte failus ir Jūs privalote išsaugoti Šaltinio forma visus Išvestinius darbus, kuriuos Jūs platinatė, visas pastabas dėl autorių teisių, patentų, prekių ženklų ir savybių priskyrimo iš Darbo Šaltinio formos, išskyrus tas pastabas, kurios nesusijusios su jokia Išvestinių darbų dalimi ir jai nepriskiriamos; ir
- Jeigu platinant Darbą įtraukiamas tekstinis failas „PASTABA“, tai Jūsų platinamuose Išvestiniuose darbuose turi būti įtraukta įskaitoma pastabų dėl savybių priskyrimo, esančių tokiaime faile PASTABA, kopija, išskyrus tas pastabas, kurios nesusijusios su jokia Išvestinių darbų dalimi ir jai nepriskiriamos, mažiausiai vienoje iš šių vietų: tekstiniam faile PASTABA, kuris platinamas kartu su Išvestiniais darbais, Šaltinio formoje arba dokumentacijoje, jei numatyta, jog turi būti pateikta kartu su Išvestiniais darbais, arba Išvestinių darbų sugeneruotame ekrane, jei ir kai tokios ekranių šalių pastabos įprastai pasirodo ekrane. PASTABOS failo turinys

yra tik informacinio pobūdžio ir Licencijos turinio nepakeičia. Jūs galite įtraukti savo pastabas dėl savybių priskyrimo į Išvestinius darbus, kuriuos Jūs platinatė, kartu arba kaip priedą prie Darbo teksto PASTABA, jeigu tokios papildomos pastabos dėl savybių priskyrimo negali būti aiškinamos kaip pakeičiančios Licencijos turinį. Jūs galite įtraukti savo pareiškimą dėl autorių teisių į savo pakeitimus ir galite pateikti papildomas ar kitas licencijos nuostatas ir sąlygas dėl jūsų pakeitimų arba, bendrai, dėl bet kokių Išvestinių darbų naudojimo, atkūrimo arba platinimo, jeigu Jūs kitoks Darbo naudojimas, atkūrimas ar platinimas atitinka šioje Licencijoje išdėstytas sąlygas.

5. Indėlių pateikimas.

Jei Jūs aiškiai nenurodote kitaip, bet koks Indėlis, kurį Jūs specialiai pateikiate Licencijos išdavėjui įtraukti į Darbą, turi atitikti šios Licencijos nuostatas ir sąlygas be jokių papildomų nuostatų ir sąlygų. Nepaisant pirmiau išdėstytų sąlygų, nė viena šiame dokumente pateikta sąlyga nepašalina arba nepakeičia jokių atskiros licencijos sutarties, kurią galbūt yra tekę įgyvendinti su Licencijos išdavėju dėl tokių Indėlių, sąlygų.

6. Prekių ženklai.

Ši Licencija nesuteikia leidimo naudoti Licencijos išdavėjo prekių pavadinimų, prekių ženklų, paslaugų ženklų ar produktų pavadinimų, išskyrus atvejus, kai to pagrįstai ir įprastai reikia Darbo klivei apibūdinti ir failo PASTABA turiniui atkurti.

7. Garantijos ribojimas (atsakymas).

Licencijos išdavėjas pateikia Darbą (o kiekvienas Bendraautorius – savo Indėlius) PAGAL „KAIP YRA“, NESUTEIKDAMAS GARANTIJŲ IR NETAIKYDAMAS KITOKIŲ SĄLYGŲ, aiškių ar numanomų, įskaitant, bet neapsiribojant, bet kokias garantijas ar sąlygas dėl PAVADINIMO, NEPAŽEIDŽIAMUMO, TINKAMUMO PREKYBAI AR KONKREČIAI PASKIRČIAI, nebent to reikalauja galiojantys įstatymai arba susitariama raštu. Tik Jūs esate atsakingi už Darbo tinkamumo naudoti ar toliau platinti (persikirstyti) nustatymą ir prisiimate visą riziką, susijusią su teise naudotis leidimais pagal šią Licenciją. 8. Atsakomybės ribojimas. Joks Bendraautorius jokių atvejų ir pagal jokią teisės teoriją, nesvarbu, ar pagal deliktą (įskaitant dėl neatsargumo, aplaidumo), sutartį ar dėl kitokios kaltės neatsako prieš Jus už žalą, įskaitant bet kokią tiesioginę, netiesioginę, specialiai padarytą, atsitiktinę ar pasekmę bet kokio pobūdžio žalą, kylančią dėl šios Licencijos arba Darbo naudojimo ar negalėjimo naudoti (įskaitant, bet neapsiribojant, žalą, patirtą dėl prestižo praradimo, darbų sustabdymo (prastovų), kompiuterių gedimų ar trikčių, ar kitokio pobūdžio komercinės žalos ar nuostolių), net jei tokiam Bendraautoriui apie tokios žalos kilimo galimybę yra pranešta, nebent to reikalauja galiojantys įstatymai (pavyzdžiui, tyčinių arba didelio neatsargumo, aplaidumo veiksmų atveju) arba susitariama raštu.

9. Garantijas ar Papildomas atsakomybės prisiėmimas.

Toliau platindami (perskirtydami) šiaame dokumente minimą Darbą ar Išvestinius darbus, Jūs galite rinktis galimybę siūlyti ir nustatyti bei imti mokestų už paramos, garantijos, žalos atlyginimo ar kitų atsakomybės įsipareigojimų bei prievolių ir (arba) teisių, susijusių su šia Licencija, prisiėmimą. Tačiau, prisiėdami tokius įsipareigojimus bei prievoles, Jūs galite veikti tik savo

vardu bei atsakomybe, o ne kito Bendraautorius vardu, ir tik tokiu atveju, jei Jūs sutinkate atlyginti žalą, ginti ir apsaugoti kiekvieną Bendraautorį nuo bet kokios tokiam Bendraautorii iškilusios atsakomybės arba jam pareikštų pretenzijų, tuo, jog Jūs prisiimate atitinkamą garantiją ar papildomą atsakomybę. NUOSTATŲ IR SĄLYGŲ PABAIGA

Saturs

Ievads.....	289	Pārvadāšana, glabāšana un utilizēšana.....	303
Drošība.....	291	Tehniskie dati.....	303
Montāža.....	298	Piederumi.....	305
Lietošana.....	298	Atbilstības deklarācija.....	306
Apkope.....	300	Licences.....	307
Problēmu novēršana.....	302	Pielikums	507

Ievads

Izstrādājuma apraksts

Husqvarna Aspire T28-P4A ir akumulatora zāles trimeris ar elektromotoru.

Mēs nepārtraukti strādājam, lai uzlabotu jūsu drošību un efektivitāti, darbojoties ar šo ierīci. Lai iegūtu plašāku informāciju, sazinieties ar izplatītāju.

Paredzētā lietošana

Izstrādājums jāizmanto ar trimera galvu zāles plaušanai. Neizmantojiet izstrādājumu citiem uzdevumiem, izņemot zāles apgriešanu un plaušanu.

Izstrādājuma pārskats

(Att. 1)

1. Trimera galva
2. Plaušanas ierīces aizsargs
3. Augu aizsargs
4. Vārpstas regulēšana (teleskopiska)
5. Kāts
6. Cilpas formas rokturis
7. Apkopes vāks
8. Cilpas formas roktura regulēšanas poga
9. Lietotāja saskarne
10. Brīdinājuma indikators
11. Uzlādes stāvokļa indikators
12. Ieslēgšanas/izslēgšanas slēdzis
13. Piedziņas mēlīte
14. Piedziņas mēlītes bloķētājs
15. Akumulators (P4A 18-B45)
16. Akumulatora atvienošanas poga
17. Akumulators (P4A 18-B72)
18. Akumulatora lādētājs (P4A 18-C70)

Piezīme: Šī ķēdes zāga lietošanu var ierobežot valsts normatīvie akti.

Īsā pamācība

Noskenējiet QR kodu, lai iegūtu ieteikumus par izstrādājuma lietošanu.

(Att. 20)

19. Savienotājs
20. Darbības un brīdinājuma indikators
21. Kombinētais darbarīks
22. Sienas āķis
23. Skrūves un sienas tapas sienas āķim
24. Lietošanas rokasgrāmata

Simboli uz izstrādājuma

(Att. 2) BRĪDINĀJUMS. Šis izstrādājums var būt bīstams un radīt smagas vai nāvējošas traumas operatoram vai citām personām. Esiet uzmanīgi un lietojiet izstrādājumu pareizi.

(Att. 3) Rūpīgi izlasiet lietotāja rokasgrāmatu un pirms izstrādājuma lietošanas pārliecinieties, vai izprotat instrukcijas.

(Att. 4) Izmantojiet acu aizsarglīdzekļus.

- (Att. 5) Nepakļaujiet ierīci lietus iedarbībai.
- (Att. 6) Uzlīme par trokšņa emisijām vidē atbilstoši ES un Apvienotās Karalistes direktīvām un noteikumiem, kā arī Jaundienvēlsas tiesību aktam "Darba vides aizsardzības (trokšņa kontroles) regula (2017)". Izstrādājuma garantētais skaņas jaudas līmenis ir norādīts *Tehniskie dati lpp. 303.*
- (Att. 7) Pirms apkopes atvienojiet akumulatoru.
- (Att. 8) Izstrādājums vai iepakojums nav sadzīves atkritumi. Likvidējiet to elektrisko un elektronisko ierīču pārstrādes uzņēmumā.
- (Att. 9) Uzmanieties no priekšmetiem, kas tiek izsviesti.
- (Att. 10) Neizmantojiet metāla nažus.
- (Att. 11) Šis izstrādājums atbilst piemērojamo EU direktīvu prasībām.
- (Att. 12) Šis izstrādājums atbilst spēkā esošajiem AK noteikumiem.
- (Att. 13) Līdzstrāva.
- (Att. 17) Attālumam no iekārtas līdz apkārtējiem cilvēkiem jābūt vismaz 15 m (50 pēdas).

yyyywwxxxx Datu plāksnītē vai lāzera izdrukā ir norādīts sērijas numurs. **yyyy** ir ražošanas gads, un **ww** ir ražošanas nedēļa.

Simboli uz izstrādājuma

- (Att. 2) **BRĪDINĀJUMS.** Šis izstrādājums var būt bīstams un radīt smagas vai nāvējošas traumas operatoram vai citām personām. Esiet uzmanīgi un lietojiet izstrādājumu pareizi.
- (Att. 3) Rūpīgi izlasiet lietotāja rokasgrāmatu un pirms izstrādājuma lietošanas pārliecinieties, vai izprotat instrukcijas.
- (Att. 4) Izmantojiet acu aizsarglīdzekļus.
- (Att. 5) Nepakļaujiet ierīci lietus iedarbībai.
- (Att. 6) Uzlīme par trokšņa emisijām vidē atbilstoši ES (tostarp Jaundienvēlsas

tiesību aktiem) un Apvienotās Karalistes direktīvām un noteikumiem. Trokšņa izplūdes dati ir atrodami uz iekārtas etiķetes un tehnisko datu nodalā.

- (Att. 7) Pirms apkopes atvienojiet akumulatoru.
- (Att. 8) Izstrādājums vai iepakojums nav sadzīves atkritumi. Likvidējiet to elektrisko un elektronisko ierīču pārstrādes uzņēmumā.
- (Att. 9) Uzmanieties no priekšmetiem, kas tiek izsviesti.
- (Att. 10) Neizmantojiet metāla nažus.
- (Att. 11) Šis izstrādājums atbilst piemērojamo EU direktīvu prasībām.
- (Att. 13) Līdzstrāva.
- (Att. 17) Attālumam no iekārtas līdz apkārtējiem cilvēkiem jābūt vismaz 15 m (50 pēdas).

yyyywwxxxx

Datu plāksnītē vai lāzera izdrukā ir norādīts sērijas numurs. **yyyy** ir ražošanas gads, un **ww** ir ražošanas nedēļa.

Simboli uz akumulatora un/vai akumulatoru lādētāja

- (Att. 18) Utilizējiet šo izstrādājumu elektrisko un elektronisko ierīču pārstrādes uzņēmumā. (Attiecas vienīgi uz Eiropu)
- (Att. 19) Akumulatoru izmantojiet tikai POWER FOR ALL sistēmas partneru izstrādājumos.
- (Att. 14) Bezatteices transformators.
- (Att. 15) Lietojiet un uzglabājiet akumulatoru lādētāju tikai iekštelpās.
- (Att. 16) Dubultā izolācija.

Produkta bojājumi

Mēs neatbildam par mūsu produkta bojājumiem, ja:

- ir veikts nepareizs produkta remonts;

- produkta remonts ir veikts, izmantojot detaļas, ko nav nodrošinājis vai apstiprinājis ražotājs;
- produktam tiek pievienots piederums, ko nav nodrošinājis vai apstiprinājis ražotājs;
- produkta remonts nav veikts pilnvarotā remontdarbnīcā vai pie pilnvarota speciālista.

Ražotājs

Husqvarna AB

SE-561 82, Huskvarna, Sweden

Drošība

Drošības definīcijas

Brīdinājumi, norādes "Uzmanību!" un piezīmes tiek izmantotas, lai izceltu īpaši svarīgas lietotāja rokasgrāmatas daļas.



BRĪDINĀJUMS: Tiek izmantota tad, ja rokasgrāmatā sniegto instrukciju neievērošanas dēļ operatoram vai blakus esošajām personām draud trauma vai nāves risks.



IEVĒROJIET: Tiek izmantota tad, ja rokasgrāmatā sniegto instrukciju neievērošanas dēļ rodas izstrādājuma, citu materiālu vai blakus esošās teritorijas bojājuma risks.

Piezīme: Tiek izmantota, lai sniegtu plašāku informāciju, kas nepieciešama attiecīgajā situācijā.

Vispārīgi drošības brīdinājumi par elektriskā darbarīka lietošanu



BRĪDINĀJUMS: Izlasiet visus drošības brīdinājumus un norādījumus. Neievērojot brīdinājumus un norādījumus, var rasties elektrotrauma, aizdegšanās un/vai smagas traumas.

Piezīme: Saglabāriet visus brīdinājumus un norādījumus turpmākām uzziņām. Brīdinājumos izmantotais termins "elektriskais darbarīks" attiecas uz elektrisko darbarīku, kura barošanu nodrošina elektroķīkls (ar kabeli) vai akumulators (bez kabeļa).

Pārbaude pirms iedarbināšanas

- Lai novērstu produkta nejaušas iedarbināšanas risku, vienmēr izņemiet akumulatoru. Pirms produkta tehniskās apkopes vienmēr izņemiet akumulatoru.
- Pirms produkta lietošanas un pēc triecieniem pārbaudiet, vai nav radušās nodiluma vai bojājumu pazīmes, un, ja nepieciešams, veiciet remontdarbus.
- Pārbaudiet darba zonu. Novāciet visus vaļīgos priekšmetus, piemēram, akmeņus, stikla lauskas, naglas, tērauda stiepli, auklas un citus priekšmetus,

kas var tikt izsviesti vai apļīties apkārt griezējam vai griezēja aizsargam.

- Pārbaudiet, vai motors nav nefīrs un saplaisājis. Ar suku notīriet no motora zāli un lapas. Ja nepieciešams, uzvelciet cimdus.
- Pārbaudiet, vai trimmera galva ir pilnībā savienota ar trimmeri.
- Pārbaudiet, vai produkts ir izcilā darba stāvoklī. Pārbaudiet vai visas uzgriežņi un skrūves ir pievilkti.
- Pārbaudiet, vai trimmera galva un trimmera aizsargs nav bojāts vai saplaisājis. Nomainiet trimmera galvu vai trimmera aizsargu, ja tie ir bijuši pakļauti triecienam vai ieplaisājuši. Vienmēr lietojiet konkrētai griešanas ierīcei ieteikto aizsargu. Skatiet nodaļu Tehniskie dati.
- Produkta operatoram jānodrošina, lai darba laikā citi cilvēki vai dzīvnieki atrastos vismaz 15 metru attālumā. Ja vairāki operatori strādā vienā darba vietā, drošības attālumam starp tiem jābūt ne mazākam par 15 metriem.
- Pirms lietošanas veiciet vispārēju produkta apskati. Skatiet apkopes grafiku.
- Uz lietošanu var attiekties valsts vai vietējie noteikumi. Ievērojiet norādītos noteikumus.

Darba zonas drošība

- **Darba zonai jābūt tīrai un labi apgaismotai.** Nekārtīgās un tumšās vietās bieži notiek negadījumi.
- **Nelietojiet elektriskos darbarīkus sprādzienbīstamā vidē, piemēram, viegli uzliesmojošu šķidrums, gāzu vai putekļu tuvumā.** Elektriskie darbarīki rada dzirksteles, kas var izraisīt putekļu vai izgarojumu aizdegšanos.
- **Elektriskā darbarīka lietošanas laikā neļaujiet tuvumā atrasties bērniem un citām personām.** Uzmanības novēršanas dēļ varat zaudēt kontroli.

Elektrodrošība

- **Elektriskā darbarīka kontaktspaudņiem jāatbilst elektroķīkla kontaktligzdām. Nekādā gadījumā nepārveidojiet kontaktspaudņi! Ar izemētiem elektriskajiem darbarīkiem nedrīkst izmantot nekādus pārejas spaudņus.** Nepārveidotas kontaktmaksas un atbilstošas kontaktligzdas samazina strāvas triecienu risku.
- **Nepieļaujiet ķermeņa saskari ar izemētām virsmām, piemēram, caurulēm, radiatoriem, plītiem un ledusskapjiem.** Ja ir izveidojies ķermeņa zemējums, pastāv paaugstināts strāvas trieciena risks.

- **Elektriskos darbarīkus nedrīkst pakļaut lietus vai mitruma iedarbībai.** Elektriskajā instrumentā iekļuvīšis ūdens paaugstina strāvas trieciena risku.
- **Lietojot kabelli, ievērojiet piesardzību. Nekad neizmantojiet kabeli elektriskā instrumenta pārvietošanai, vilkšanai vai atvienošanai no kontaktlīdzdas. Sargiet kabeli no karstuma, eļļas, asām malām un kustīgām detaļām.** Bojāti vai savijušies vadi paaugstina strāvas trieciena risku.
- **Lietojot elektrisko instrumentu ārpus telpām, izmantojiet lietošanai ārā piemērotu pagarinātāju.** Lietošanai ārā piemērota pagarinājuma vada izmantošana samazina elektriskās strāvas trieciena risku.
- **Ja no elektriskā instrumenta lietošanas mitros apstākļos nevar izvairīties, izmantojiet paliekošās strāvas ierīci (residual current device — RCD).** Izmantojot RCD, tiek samazināts elektriskās strāvas trieciena risks.

Personīgā aizsardzība

- **Lietojot elektrisko darbarīku, ievērojiet piesardzību, pārdomājiet savas darbības un rīkojieties saprātīgi. Nelietojiet elektrisko darbarīku noguruma stāvoklī vai narkotiku, alkohola vai zāļu iespaidā.** Īss neuzmanības brīdis darbā ar elektrisko instrumentu var radīt nopietnas traumas.
- **Lietojiet individuālos aizsardzības līdzekļus. Vienmēr lietojiet acu aizsargus.** Individuālo aizsardzības līdzekļu, piemēram, putekļu maskas, aizsargapavu ar neslidošām zolēm, ķiveres vai dzirdes aizsarglīdzekļu, lietošana attiecīgos apstākļos samazina traumu gūšanas risku.
- **Nepieļaujiet nejaušu ierīces ieslēgšanos. Pirms darbarīka pievienošanas strāvas avotam un/vai akumulatora blokam, pacelšanas vai pārvietošanas pārbaudiet, vai slēdzis ir izslēgtā (OFF) stāvoklī.** Elektrisko darbarīku pārvietošana, turot pirkstu uz slēdža, vai darbarīku pieslēgšana barošanai, ja slēdzis ir ieslēgts, var izraisīt negadījumus.
- **Pirms elektriskā darbarīka ieslēgšanas noņemiet regulēšanas atslēgu vai uzgriežņu atslēgu.** Uz elektriskā darbarīka rotējošajām detaļām atstāta uzgriežņu atslēga vai atslēga var radīt traumu.
- **Nesniedzieties pārāk tālu. Vienmēr stāviet stabilī un saglabājiet līdzsvaru.** Tādējādi var labāk vadīt elektrisko darbarīku negaidītās situācijās.
- **Attiecīgi apģērbieties. Nevalkājiet vaļīgu apģērbu vai rotaslietas. Nepieļaujiet matu un apģērba saskari ar kustīgajām daļām.** Vaļīgas drēbes, rotaslietas vai gari mati var iekerties kustīgajās detaļās.
- **Ja komplektācijā ir iekļautas pievienojamas putekļu iesūkšanas ierīces un savākšanas konteineri, pārbaudiet, vai tie ir pietiprināti un tiek pareizi izmantoti.** Putekļu savākšanas līdzekļu izmantošana var samazināt ar tiem saistītos draudus.
- **Nekļūstiet nevērīgs pret darbarīka drošas izmantošanas principiem un neignorējiet tos pat tad, ja bieži izmantojat darbarīkus un esat labi iepazinies**

ar to darbību. Neuzmanīgas rīcības dēļ ļoti ātri var gūt nopietnu traumu.

- Vibrāciju emisija elektriskā instrumenta faktiskās izmantošanas laikā var atšķirties no noteiktās kopējās vērtības, kas ir atkarīgs no instrumenta lietošanas veida. Lai pasargātu sevi, operatoriem ir jāzina, kādi drošības pasākumi ir veicami, kas noteikti, balstoties uz iedarbības novērtējumu faktiskās izmantošanas apstākļos (ņemot vērā visas darbības cikla daļas, piemēram, brīdī, kad instruments ir izslēgts, un, kad tas darbojas tukšgaitā, papildus kopā ar blokatoru).

Elektriskā darbarīka lietošana un uzturēšana

- **Nelietojiet elektrisko darbarīku ar spēku. Izmantojiet konkrētajam darbam piemērotu elektrisko darbarīku.** Izmantojot pareizo elektrisko darbarīku ar tam paredzēto ātrumu, darbu var paveikt labāk un drošāk.
- **Nelietojiet elektrisko darbarīku, ja, nospiežot slēdzi, tas neieslēdzas vai neizslēdzas.** Elektriskais darbarīks, kuru nevar vadīt, izmantojot slēdzi, rada draudus un ir jāremontē.
- **Pirms jebkādu regulēšanas darbu veikšanas, piederumu maiņas vai elektrisko darbarīku novietojšanas uzglabāšanai atvienojiet kontaktspraudni no strāvas avota un/vai izņemiet akumulatora bloku.** Šādi piesardzības pasākumi samazina nejaušas elektriskā darbarīka palaišanas risku.
- **Novietojiet elektrisko darbarīku, kas darbojas tukšgaitā, bērniem nepieejamā vietā un neļaujiet to lietot personām, kas nepazīna tā lietošanu vai šeit sniegtos norādījumus.** Nonākot rokās lietotājam bez atbilstošām zināšanām, elektriskie darbarīki ir bīstami.
- **Apkopiet elektriskos instrumentus un piederumus. Pārbaudiet kustīgo detaļu salāgojumu un saķeri, bojājumus un jebkādas citus faktorus, kas var ietekmēt elektriskā darbarīka darbību. Ja darbarīks bojāts, pirms tā lietošanas veiciet remontu.** Daudzu nelaimes gadījumu iemesls ir slikti uzturēti elektriskie darbarīki.
- **Griezējinstrumenti jāuztur asi un tīri.** Pareizi uzturēti griezējinstrumenti ar asiem asmeņiem retāk saliecas, un tos ir vieglāk vadīt.
- **Lietojiet elektriskos instrumentus, piederumus un asmeņus u.c. detaļas atbilstoši šeit sniegtajiem norādījumiem, ņemot vērā darba apstākļus un veicamos uzdevumus.** Elektriskā instrumenta lietošana tam neparedzētiem mērķiem var radīt bīstamas situācijas.
- **Rokturiem un turēšanas virsmām ir jābūt sausām, tīrām un uz tām nedrīkst būt eļļas un smērvielas.** Slīdīgi rokuri un turēšanas virsmas traucē drošu darbarīka izmantošanu un vadību negaidītās situācijās.

Akumulatora rīka lietošana un apkope

- **Uzlādei izmantojiet tikai ražotāja norādīto lādētāju.** Lādētājs, kas ir piemērots viena tipa akumulatora blokam, var kļūt ugunsbīstams, lietojot to ar cita veida akumulatora bloku.
- **Izmantojiet iekārtas tikai ar tām paredzētajiem akumulatoru blokiem.** Jebkura cita akumulatora bloka lietošana var radīt traumas un ugunsgrēka risku.
- **Kad akumulatora bloks netiek izmantots, turiet to drošā attālumā no metāla priekšmetiem, piemēram, papīra saspaudzēm, monētām, atslēgām, naglām, skrūvēm un citiem nelieliem metāla priekšmetiem, kas var savienot spalles.** Akumulatora spaiļu savienošana var radīt apdegumus vai aizdegšanos.
- **Nepareizi lietojot, no akumulatora var izteciēt šķidrums; izvairieties no saskares ar to. Ja nejauši notiek saskare, noskalojiet skarto vietu ar lielu daudzumu ūdens. Ja šķidrums iekļūst acīs, vērsieties pēc medicīniskās palīdzības.** No baterijas iztecējis šķidrums var radīt kairinājumu vai apdegumus.
- **Nelietojiet akumulatoru bloku vai darbarīku, ja tas ir bojāts vai pārveidots.** Bojāts vai pārveidots akumulators var darboties neparedzami, izraisot aizdegšanos, eksploziju vai traumu gūšanas risku.
- **Nepakļaujiet akumulatoru bloku vai darbarīku ugunij vai pārmērīgi augstai temperatūrai.** Ja pakļausit iekārtu uguns iedarbībai vai tādas temperatūras iedarbībai, kas pārsniedz 130°C (265°F), var notikt sprādziens.
- **Nemiet vērā visas uzlādes instrukcijas un nelādējiet akumulatoru bloku vai darbarīku temperatūrā, kas ir ārpus instrukcijās norādītā diapazona.** Nepareiza uzlāde vai uzlāde temperatūrā, kas ir ārpus norādītā diapazona, var bojāt akumulatoru un palielināt ugunsgrēka risku.

Apkope

- **Uzticiet elektriskā darbarīka apkopi kvalificētam remontdarbu speciālistam, kas izmanto tikai oriģinālas rezerves daļas.** Tādējādi tiks garantēta elektriskā darbarīka lietošanas drošība.
- **Nekad neveiciet bojātu akumulatoru apkopi.** Akumulatoru apkopi drīkst veikt tikai ražotājs vai pilnvarota apkopes nodrošinātājs.

Rīkojieties saprātīgi

Nemiet vērā, ka visas iespējamās situācijas nav iespējams aplūkot. Vienmēr esiet piesardzīgs un izmantojiet veselo saprātu. Izvairieties no situācijām, kurās nejutaties īsti pārliecināts par notiekošo vai veicamajām darbībām. Ja pēc šo norādījumu izlasīšanas joprojām šaubāties par notiekošo vai veicamajām darbībām, pirms turpmākas rīcības konsultējieties ar kādu ekspertu.



BRĪDINĀJUMS: Neļaujiet bērniem lietot šo ierīci vai uz uzturēties tās tuvumā. Tā kā iekārtu ir vienkārši iedarbināt, bērni to var nejauši iedarbināt. Tas var radīt smagu traumu. Tāpēc, ja iekārtu glabājat nomaļus, vienmēr atvienojiet akumulatoru.

Vispārīgi drošības norādījumi



BRĪDINĀJUMS: Pirms izstrādājuma lietošanas izlasiet tālāk izklāstītos brīdinājumus.

- Lai novērstu izstrādājuma nejaūšas iedarbināšanas risku, izņemiet akumulatoru.
- Šis izstrādājums ir bīstams instruments, ja ar to nerīkojas uzmanīgi vai ja to lieto nepareizi. Šis izstrādājums var izraisīt smagas vai nāvējošas traumas operatoram vai citām personām.
- Neizmantojiet izstrādājumu, ja tā sākotnējā specifikācija ir mainīta. Nemainiet izstrādājuma detaļas bez ražotāja apstiprinājuma. Izmantojiet tikai tādas detaļas, ko ir apstiprinājis ražotājs. Veicot nepareizu apkopi, var tikt radītas smagas vai nāvējošas traumas.
- Pirms lietošanas pārbaudiet izstrādājumu. Skatiet šeit: *Pārbaude pirms iedarbināšanas lpp. 291* un *Pirms izstrādājuma lietošanas lpp. 298*. Nelietojiet izstrādājumu, kas ir bojāts vai nedarbojas pareizi. Ievērojiet šajā rokasgrāmatā aprakstītās drošības pārbaudes, tehniskās apkopes un remonta instrukcijas.
- Pieskatiet bērnus un neļaujiet bērniem rotalāties ar izstrādājumu. Nekādā gadījumā neļaujiet bērniem vai citām atbilstoši neapmācītām personām strādāt ar izstrādājumu, mainīt akumulatoru vai veikt tehnisko apkopi. Vietējie tiesību akti var ierobežot pieļaujamo lietotāja vecumu.
- Glabājiet izstrādājumu norobežotā vietā, lai novērstu to, ka tam var piekļūt bērni vai personas, kam tas nav atļauts.
- Glabājiet izstrādājumu bērniem nepieejamā vietā.
- Nekādā gadījumā bez ražotāja atļaujas nedrīkst mainīt šī izstrādājuma konstrukciju. Vienmēr izmantojiet oriģinālos piederumus. Neatļautas izmaiņas un/vai neatļauti piederumi var radīt smagas vai nāvējošas traumas izstrādājuma lietotājam un citiem.

Piezīme: Uz lietošanu var attiekties valsts vai vietējie tiesību akti. Ievērojiet norādītos noteikumus.

Darba drošības norādījumi



BRĪDINĀJUMS: Pirms sākat lietot šo izstrādājumu, izlasiet tālāk izklāstītos brīdinājumus.

- **Nelietojiet ierīci sliktos laika apstākļos, jo īpaši tad, ja ir iespējams pērkona negaiss.** Tas palielina risku, ka jums varētu iespert zibens.
- **Rūpīgi pārbaudiet, vai teritorijā, kurā izmantosiet ierīci, nav savvaļas dzīvnieku.** Ierīces darbības laikā var ievainot savvaļas dzīvniekus.
- **Rūpīgi pārbaudiet zonu, kurā lietosiet ierīci, un noņemiet akmeņus, vadus, kaulus un citus svešķermeņus.** Mesti objekti var radīt nopietnas traumas.
- **Pirms ierīces vienmēr vizuāli pārbaudiet, vai pļaušanas ierīce un pļaušanas bloks nav bojāti.** Bojātas detaļas palielina traumu risku.
- **Vienmēr izmantojiet aizsargus. Aizsargiem jābūt darba kārtībā un pareizi uzstādītiem.** Vajāgs, bojāts aizsargs vai tāds, kas nedarbojas pareizi, var radīt traumas.
- **Visas dzesēšanas gaisa atveres vienmēr uzturiet tīras.** Nosprostots gaisa ievads un nēturimi var radīt pārkaršanu un aizdegšanos.
- **Vienmēr lietojiet acu aizsarglīdzekļus un dzirdes aizsarglīdzekļus.** Atbilstoši aizsarglīdzekļi var samazināt traumas.
- **Izmantojot ierīci, vienmēr uzvelciet neslidošus aizsargapavus. Nelietojiet ierīci ar plīkām kājām vai atvērtiem apaviem.** Tādējādi saskarē ar kustīgu pļaušanas ierīci, tiek samazināts kāju traumu risks.
- **Ierīces lietošanas laikā vienmēr velciet aizsargapgērbu, piemēram, bikses, kuras nosēdz operatora kājas.** Saskare ar kustīgu pļaušanas ierīci vai auklu, var radīt traumas.
- **Ierīces darbības laikā nodrošiniet, ka garāmgājēji ir drošā attālumā.** Mestie gruži var izraisīt nopietnas traumas.
- **Nelietojiet ierīci augstāk par vidukli.** Tas palīdzēs izvairīties no nejaušas pļaušanas ierīces saskares ar citiem priekšmetiem, un efektīvāk vadīt ierīci neparedzētās situācijās.
- **Darbinot ierīci slapjā zālē, ievērojiet piesardzību. Eļļiet, nekādā gadījumā neskrieniet.** Tas samazina paslīdēšanas un nokrišanas risku, kas var radīt traumas.
- **Nelietojiet ierīci ļoti slīpās vietās.** Tas samazina līdzsvara zuduma, paslīdēšanas un nokrišanas risku, kas var radīt traumas.
- **Strādājot nogāzēs, vienmēr pārliecinieties par kāju novietojumu, vienmēr strādājiet šķērsām nogāzei, nekad augšup vai lejup un ievērojiet īpašu piesardzību, kad maināt virzienu.** Tas samazina līdzsvara zuduma, paslīdēšanas un nokrišanas risku, kas var radīt traumas.
- **Turiet visus strāvas vadus un kabeļus tālāk no pļaušanas zonas.** Strāvas vadi vai kabeļi var būt paslēpti dzīvzōgā vai krūmos, un tos var nejauši pārgriezt vai sabojāt ar auklu vai pļaušanas ierīci.
- **Turiet visas ķermeņa daļas tālāk no trimmera pļaušanas ierīces un auklas. Neatfriet ierīci no materiāliem, kamēr tā nav atvienota no strāvas**

padeves avota. Kustīgā trimmera pļaušanas ierīce vai aukla var radīt nopietnas traumas.

- **Nesiet ierīci izslēgtu un attālāk no ķermeņa.** Pareizs darbs ar ierīci var samazināt nejaušu saskari ar kustīgām trimmera pļaušanas ierīces vai auklas daļām.
- **Izmantojiet tikai ražotāja norādītos rezerves trimmera pļaušanas ierīces un auklas. Nemainiet trimmera pļaušanas ierīces un auklas ar metāla vadiem un asmeņiem.** Nepareizas rezerves daļas var izraisīt kontroles zudumu, lūzumus un traumas.

Individuālie aizsarglīdzekļi



BRĪDINĀJUMS: Pirms sākat lietot šo izstrādājumu, izlasiet tālāk izklāstītos brīdinājumus.

- Izmantojot izstrādājumu, vienmēr lietojiet apstiprinātus individuālos aizsarglīdzekļus. Šādi līdzekļi nevar pilnībā novērst traumu gūšanas risku, taču samazina traumu smaguma pakāpi, ja negadījums tomēr notiek. Ļaujiet izplatītajam palīdzēt jums izvēlēties pareizo aprīkojumu.
- Izmantojiet apstiprinātus dzirdes aizsarglīdzekļus.

(Att. 21)

- Izmantojiet apstiprinātus acu aizsarglīdzekļus. Apstiprinātas aizsargbrilles ir jālieto arī tad, ja tiek izmantots sejsēgs. Apstiprinātas aizsargbrilles ir tādas, kas atbilst standarta ANSI Z87.1 prasībām ASV vai standarta EN 166 prasībām ES valstīs.

(Att. 22)

- Vajadzības gadījumā izmantojiet cimdus, piemēram, piestiprinot, pārbaudot vai tīrot griešanas aprīkojumu.

(Att. 23)

- Lietojiet aizsargapavus ar tērauda purngaliem un neslidošām zolēm.

(Att. 24)

- Lietojiet izturīga auduma apģērbu. Vienmēr valkājiet biezas, garas bikses un apģērbu ar garām piedurknēm. Nevalkājiet vaļīgu apģērbu, kas viegli var ieķerties krūmos un zaros. Nevelciet dārglietas, īsas bikses un sandales. Nestaigājiet basām kājām. Sakārtojiet matus droši virs pleciem.
- Turiet tuvumā neatliekamās palīdzības aprīkojumu.

(Att. 25)

Izstrādājuma drošības ierīces



BRĪDINĀJUMS: Pirms izstrādājuma lietošanas izlasiet tālāk izklāstītos brīdinājumus.

Šajā sadaļā ir izskaidrotas izstrādājuma drošības funkcijas, tā nolūks un veidi, kā tiek veikta tā pārbaude un apkope, lai garantētu izstrādājuma pareizu darbību.

Skatiet norādījumus nodaļā ar virsrakstu *levads lpp. 289* lai uzzinātu, kur izstrādājumā atrodas šīs daļas.

Šī izstrādājuma darbmūžs var saīsināties un var palielināties nelaiemes gadījumu risks, ja izstrādājuma apkope netiek veikta pareizi un ja apkope un/vai remonts netiek veikts profesionāli. Ja nepieciešama papildu informācija, sazinieties ar tuvāko izplatītāju, kas nodrošina apkopi.



BRĪDINĀJUMS: Nekādā gadījumā nelietojiet izstrādājumu ar bojātu drošības aprīkojumu. Izstrādājuma drošības aprīkojums ir jāpārbauda un jāuztur, pamatojoties uz šajā nodaļā izklāstīto informāciju. Ja izstrādājums neatbilst iepriekš aprakstīto pārbaūžu prasībām, sazinieties ar vietējo remontdarbnieku, lai izstrādājumu saremontētu.



IEVĒROJIET: Izstrādājuma apkopi un remontu drīkst veikt tikai īpaši apmācīti tehniķi. Tas jo īpaši attiecas uz izstrādājuma drošības aprīkojumu. Ja izstrādājums neatbilst zemāk aprakstīto pārbaūžu prasībām, sazinieties ar apkopes pakalpojumu nodrošinātāju. Jebkura mūsu izstrādājuma iegāde garantē profesionāla remonta un apkopes pieejamību. Ja mazumtirgotājs, pie kura iegādājāties izstrādājumu, nav apkopi veicošs izplatītājs, uzziniet no viņa tuvākā apkopes veicēja adresi.

Lietotāja saskames pārbaude

Zaļie LED indikatori (A) attēlo akumulatora uzlādes statusu, kad izstrādājums ir ieslēgts, bet netiek darbināts.

1. Nospiediet un turiet ieslēgšanas/izslēgšanas slēdzi (B). (Att. 26)
 - a) Izstrādājums ir ieslēgts, kad deg zaļie LED indikatori (A).
 - b) Izstrādājums ir izslēgts, ja zaļie LED indikatori (A) nedeg.
2. Informāciju par ieteicamo tukšgaitas ātrumu skatiet šeit: *Problēmu novēršana lpp. 303* ja iedegas vai mirgo brīdinājuma indikators (C).

Piedziņas mēlītes bloķētāja pārbaude

Piedziņas mēlītes bloķētājs aizsargā pret nejaušu iedarbināšanu. Nospiežot piedziņas mēlītes bloķētāju (A), tiek atbrīvota piedziņas mēlīte (B). Atlaižot rokturi, piedziņas mēlīte un piedziņas mēlītes bloķētājs atgriežas sākuma pozīcijā. (Att. 27)

1. Pārbaudiet, vai piedziņas mēlīte ir nobloķēta, kad piedziņas mēlītes bloķētājs ir sākotnējā pozīcijā. (Att. 28)
2. Nospiediet piedziņas mēlīti un pārbaudiet, vai pēc atlaišanas tā atgriežas sākotnējā pozīcijā. (Att. 29)
3. Pārbaudiet, vai piedziņas mēlīte un piedziņas mēlītes bloķētājs brīvi kustas un atgriežas atspere darbojas pareizi. (Att. 30)
4. Iedarbiniet ierīci. Informāciju par ieteicamo tukšgaitas ātrumu skatiet šeit: *Produkta ieslēgšana lpp. 299*.
5. Atlaidiet piedziņas mēlīti un pārbaudiet, vai pļaušanas palīgierīce pilnībā apstājas.

Griešanas ierīces aizsarga pārbaude



BRĪDINĀJUMS: Nelietojiet griešanas ierīci, ja tai nav pareizi uzstādīts apstiprināts griešanas ierīces aizsargs. Obligāti izmantojiet griešanas ierīci kopā ar ieteicamo griešanas ierīces aizsargu (sk. *Tehniskie dati lpp. 303*). Ja griešanas ierīces aizsargs ir uzstādīts nepareizi vai ir bojāts, pastāv nopietnas traumas risks.

Griešanas ierīces aizsargs aptur objektus, kas tiek izsviesti operatora virzienā. Griešanas ierīces aizsargs novērš arī traumas, kas rodas, pieskaroties griešanas ierīcei.

1. Apturiet motoru.
2. Vizuāli pārbaudiet, vai nav bojājumu, piemēram, plaisu.
3. Ja griešanas ierīces aizsargs ir bojāts, nomainiet to.

Griešanas aprīkojums

Izvēlieties pareizu griešanas aprīkojumu un veiciet griešanas aprīkojuma apkopi, lai:

- panāktu maksimālu griešanas efektivitāti;
- palielinātu griešanas aprīkojuma darbmūžu.



BRĪDINĀJUMS: Lietojiet pļaušanas palīgierīci tikai komplektā ar mūsu ieteikto aizsargaprīkojumu! Skatiet sadaļu *Tehniskie dati lpp. 303*. Lai pareizi uzfītu trimmera auklu un izvēlētos pareizu tās diametru, skatiet pļaušanas palīgierīcei pievienotos norādījumus.



BRĪDINĀJUMS: Bojāta plaušanas pafigierīce var palielināt negadījumu risku.

Trimerā galva



BRĪDINĀJUMS: Obligāti pārliecinieties, vai trimera aukla ir stingri un vienmērīgi uzlīta uz spoles, lai novērstu kaitīgas vibrācijas.

(Att. 31)

- Lietojiet tikai ieteiktās trimera galvas un trimera auklas.
- Lietojiet tikai ieteiktās griešanas ierīces.
- Mazāka izmēra iekārtām ir nepieciešamas mazas trimera galvas un otrādi.
- Svarīgs ir auklas garums. Garākai auklai ir nepieciešama lielāka motora jauda nekā īsai tāda paša diametra auklai.
- Pārliecinieties, vai uz trimera aizsarga piestiprinātais griezējs nav bojāts. Tas sagriež auklu pareizajā garumā.
- Pirms lietošanas uz dažām dienām iemērciet trimera auklu ūdenī, lai paātrinātu tās darbību.

Akumulatora drošība



BRĪDINĀJUMS: Izlasiet visus drošības un vispārīgos norādījumus. Drošības un vispārīgo norādījumu neievērošana var novest pie elektriskās strāvas trieciena, aizdegšanās un/vai smagas traumas. **Saglabāiet visu drošības informāciju un vispārīgos norādījumus turpmākām uzziņām.**

- **Šie drošības norādījumi attiecas tikai uz POWER FOR ALL sistēmas 18 V lītiņa jonu atkārtoti uzlādējamajiem akumulatoriem.**
- **Atkārtoti uzlādējamo akumulatoru izmantojiet tikai POWER FOR ALL sistēmas partneru izstrādājumos.** 18 V atkārtoti uzlādējamie akumulatori, uz kuriem ir POWER FOR ALL uzlīme, ir pilnībā saderīgi ar tālāk norādītajiem izstrādājumiem:
 - visi 18 V POWER FOR ALL akumulatoru sistēmas izstrādājumi,
 - visi 18 V POWER FOR ALL sistēmas partneru izstrādājumi.
- **Ievērojiet ieteikumus par akumulatoriem, kas ietverti jūsu izstrādājuma rokasgrāmatā.** Tikai tādā veidā atkārtoti uzlādējamo akumulatoru un izstrādājumu var ekspluatēt droši, un atkārtoti uzlādējamie akumulatori ir pasargāti no bīstamas pārslodzes.
- **Akumulatoru uzlādēšanai izmantojiet tikai lādētājus, kuru izmantošanu iesaka ražotājs vai POWER FOR ALL sistēmas partneri.** Lādētājs, kas ir piemērots vienam akumulatoru veidam, var izraisīt aizdegšanās risku, ja tiek izmantots ar citu akumulatoru.
- **Akumulators, piegādājot ierīci, ir pilnībā uzlādēts.** Lai panāktu maksimālu akumulatora ietilpību, pirms mehānizētā darbarīka pirmās lietošanas reizes pilnībā uzlādējiet akumulatoru ar lādētāju.
- **Glabājiet akumulatoru blokus bērniem nepieejamā vietā.**
- **Neatveriet akumulatoru.** Pastāv išslēguma risks.
- **Ja akumulators tiek bojāts vai nepareizi izmantots, var izplūst tvaiki. Akumulators var aizdegties vai uzsprāgt.** Pārliecinieties, ka vieta ir labi vēdināma, un vērsieties pēc medicīniskās palīdzības, ja rodas kādas nevēlamas parādības. Tvaiki var kairināt elpošanas sistēmu.
- **Ja akumulatoru izmanto nepareizi vai tas tiek bojāts, var izplūst ugunsnedrošs šķidrums. Sargieties no saskares ar šo šķidrumu. Ja tomēr notiek nejauša saskare, skalojiet skarto vietu ar lielu daudzumu ūdens. Ja šķidrums iekļūst acīs, vērsieties pēc medicīniskās palīdzības.** No akumulatora iztecējis šķidrums var izraisīt kairinājumu vai apdegumus.
- **Ja akumulators ir bojāts, var izplūst šķidrums un pārkārt tuvumā esošās virsmas. Pārbaudiet ietekmētās daļas.** Notīriet šīs daļas un, ja nepieciešams, nomainiet.
- **Neizraisiet akumulatoru bloka išslēgumu. Kad akumulatora bloks netiek izmantots, turiet to drošā attālumā no metāla priekšmetiem, piemēram, papīra saspaudēm, monētām, atslēgām, naglām, skrūvēm un citiem nelieliem metāla priekšmetiem, kas var savienot spaiļes. Akumulatora spaiļu savienošana var radīt apdegumus vai aizdegšanos.**
- **Akumulatoru var sabojāt ar smaliem priekšmetiem, piemēram, naglām vai skrūvgriežiem, vai ārēja spēka iedarbībā.** Var rasties iekšējs išslēgums, izraisot akumulatora aizdegšanos, dūmošanu, sprādzienu vai pārkaršanu.
- **Nekad neveiciet bojātu akumulatoru apkopi.** Akumulatoru apkopi drīkst veikt tikai ražotājs vai pilnvarota apkopes pakalpojumu nodrošinātājs.
- **Aizsargājiet akumulatoru pret karstumu, piemēram, pret intensīvu saules gaismu, uguni, neīrūmjiem, ūdeni un mitrumu.** Pastāv sprādziena un išslēguma risks.
- **Izmantojiet akumulatoru izstrādājumā tikai tad, ja apkārtējā temperatūra ir diapazonā -5 °C — 40 °C.**
- **Glabājiet akumulatoru tikai apkārtējās temperatūras diapazonā -20 °C — 50 °C.** Piemēram, vasaras laikā neatstājiet akumulatoru automašīnā. Ja temperatūra ir < 0 °C, dažām ierīcēm jaudas līmenis var būt samazināts.
- **Uzlādējiet akumulatoru tikai šādā temperatūrās diapazonā: 0 °C — 35 °C.** Uzlāde ārpus šī temperatūras diapazona var palielināt akumulatora bojājumu risku un radīt ugunsbīstamību.

Akumulatora lādētāja drošības norādes



BRĪDINĀJUMS: Izlasiet visus drošības un vispārīgos norādījumus. Drošības un vispārīgo norādījumu neievērošana var novest pie elektriskās strāvas trieciena, aizdegšanās un/vai smagas traumas. **Glabājiet šos lietošanas norādījumus drošā vietā.** Izmantojiet lādētāju tikai tad, ja varat pilnībā izvērtēt visas funkcijas un izpildīt tās bez ierobežojumiem vai, ja esat saņēmuši atbilstošus norādījumus.

- **Uzraugiet bērnus lādētāja lietošanas, fīršanas un apkopes laikā.** Tādējādi bērni nespēlēsies ar lādētāju.
- **Uzliedziet tikai POWER FOR ALL sistēmas 18 V lītiņa jonu akumulatorus, kuru ietilpība ir 1,5 Ah vai vairāk (5 akumulatora elementi vai vairāk).** Akumulatora spriegumam jāatbilst lādētāja uzlādes spriegumam. Neuzlādējiet neuzlādējamas baterijas. Pretējā gadījumā pastāv aizdegšanās un sprādziena risks.
- **Lādētāju nedrīkst pakļaut lietus vai mitruma iedarbībai.** Mehānizētājā darbarīkā iekļūvis ūdens paaugstina elektriskās strāvas trieciena risku.
- **Gādājiet, lai lādētājs ir fīrs.** Netūrumi var izraisīt elektriskās strāvas trieciena risku.
- **Pirms lietošanas vienmēr pārbaudiet lādētāju, kabeli un kontaktspraudni.** Ja konstatējat kādus bojājumus, pārtrauciet lietot lādētāju. Neatveriet lādētāju patstāvīgi un gādājiet, lai to remontētu tikai kvalificēti speciālisti, izmantojot tikai oriģinālās rezerves daļas. Bojāti lādētāji, kabeli un kontaktspraudņi palielina elektriskās strāvas trieciena risku.
- **Nelietojiet lādētāju uz ugunsnedrošas virsmas (piemēram, uz papīra, tekstilmateriāliem utt.) vai viegli uzliesmojošā vidē.** Pastāv aizdegšanās risks, jo darbības laikā lādētājs sakarst.
- **Uzlādei izmantojiet tikai ražotāja norādīto lādētāju.** Lādētājs, kas ir piemērots viena tipa akumulatora blokam, var kļūt ugunsbīstams, lietojot to cita veida akumulatora blokam.
- **Ja akumulators tiek bojāts vai nepareizi izmantots, var arī izplūst tvaiki.** Pārlicinieties, ka vieta ir labi vēdināma, un vērsieties pēc medicīniskās palīdzības, ja rodas kādas nevēlamas parādības. Tvaiki var kairināt elpošanas sistēmu.
- **Nepareizi lietojot, no akumulatora var izteciēt šķidrums. Sargieties no saskares ar šo šķidrumu. Ja tomēr notiek nejausa saskare, skalojiet skarto vietu ar lielu daudzumu ūdens. Ja šķidrums iekļūst acīs, vērsieties pēc medicīniskās palīdzības.** No akumulatora izteciējis šķidrums var izraisīt kairinājumu vai apdegumus.
- **Nepārkāļiet lādētāja ventilācijas atveres.** Pretējā gadījumā lādētājs var pārkarst un nedarboties pareizi.

- **Lai izvairītos no drošības apdraudējuma, ja barošanas kabelis ir jānomaina, uzticiet to uzņēmuma Husqvarna vai arī tāda klientu apkalpošanas dienesta darbiniekiem, kas pilnvaroti remontēt Husqvarna mehānizētos darbarīkus.**
- **Izstrādājumi, kas tiek pārdoti tikai Apvienotajā Karalistē:** Jūsu izstrādājums ir aprīkots ar BS 1363/A apstiprinātu elektrisku kontaktspraudni ar iekļautu drošinātāju (ASTA apstiprinājums atbilstoši BS 1362). Ja kontaktspraudnis nav piemērots kontaktligzdām jūsu valstī, tas jānogriež un pilnvarotam klientu apkalpošanas dienesta darbiniekam tā vietā jāuzstāda atbilstošs kontaktspraudnis. Rezerves kontaktspraudnim jābūt ar tādu pašu drošinātāju kā oriģinālajam kontaktspraudnim. Nogrieztais kontaktspraudnis ir jāizmet, lai novērstu elektriskās strāvas trieciena risku, un to nekādā gadījumā nedrīkst ievietot barošanas kontaktligzdā citur.



BRĪDINĀJUMS: Sirds darbības apstāšanās. Šī ierīce darbības laikā rada elektromagnētisko lauku. Dažos apstākļos šis lauks var traucēt aktīvā vai pasīvā medicīniskā implantāta darbību. Lai mazinātu traumu un nāvējošu traumu risku, personām ar medicīniskiem implantiem pirms šī izstrādājuma lietošanas ieteicams konsultēties ar savu ārstu un medicīniskā implanta ražotāju.



BRĪDINĀJUMS: Nosmakšanas risks Mazas detaļas var viegli norīt. Pastāv arī risks, ka mazi bērni var nosmakēt, spēlējoties ar polietilēna maisu. Neļaujiet bērniem atrasties izstrādājuma montāžas vietā.

Norādījumi par drošu apkopi



BRĪDINĀJUMS: Pirms veicat produkta apkopi, izlasiet brīdinājuma norādījumus.

- **Ņemiet akumulatoru, pirms veicat apkopi, citas pārbaudes vai montējat produktu.**
- **Operators drīkst veikt tikai šajā lietotāja rokasgrāmatā norādītos apkopes un servisa darbus.** Par plašākiem apkopes un servisa darbiem sazinieties ar jūsu apkopes nodrošinātāju.
- **Netīriet akumulatoru un tā lādētāju ar ūdeni.** Spēcīgs mazgāšanas līdzeklis var radīt plastmasas bojājumus.
- **Neveicot apkopi, samazinās produkta dzīves cikls un palielinās nelaimes gadījumu risks.**
- **Īpaša apmācība ir nepieciešama visiem apkopes un remontdarbiem, jo īpaši šī produkta drošības ierīcēm.** Ja visas šajā lietotāja rokasgrāmatā norādītās pārbaudes netiek apstiprinātas pēc apkopes veikšanas, sazinieties ar apkopes nodrošinātāju.

Mēs garantējam profesionālu remontdarbu un apkopes pieejamību jūsu produktam.

- Vienmēr izmantojiet tikai oriģinālās detaļas.

Montāža

Ievads



BRĪDINĀJUMS: Pirms izstrādājuma montāžas izlasiet un izprotiet drošības norādījumus.

Trimmera aizsarga piestiprināšana

1. Novietojiet trimmera aizsargu pret motora korpusu. (Att. 32)
2. Ievietojiet 2 skrūves caur motora korpusu un trimmera aizsargu. (Att. 33)
3. Pievelciet skrūves.

Trimmera galvas uzstādīšana

1. Grieziet piedziņas vārpstu, līdz piedziņas diska atvere salāgojas ar atveri zobratu korpusā.
2. Lai fiksētu vārpstu, ievietojiet atverē kombinēto darbarīku.
3. Pagrieziet trimmera galvu pulksteņrādītāju kustības virzienā. (Att. 34)

Augu aizsarga uzstādīšana

1. Ievietojiet augu aizsargu motora korpusa atverēs. (Att. 35)

2. Pārbaudiet, vai augu aizsargs var brīvi pārvietoties uz priekšu un atpakaļ. (Att. 36)

Āķa uzstādīšana pie sienas

- Uzstādiet āķi telpās.
- Raugiet, lai āķis neatrastos saules staros un apkārtējā temperatūra būtu no $-10\text{ }^{\circ}\text{C}$ līdz $70\text{ }^{\circ}\text{C}$.
- Nostipriniet āķi pie režģīša, koka vai betona sienas.



IEVĒROJIET: Pārliecinieties, ka sienas nestspēja ir vismaz 30 kg.

- Nostipriniet āķi pie sienas ar 3 skrūvēm (A). Nepieciešamības gadījumā izmantojiet sienas tapas (B). (Att. 37)



IEVĒROJIET: Pārbaudiet, vai skrūves ir piemērotas sienas tipam.

- Informāciju par pieejamiem izstrādājuma uzglabāšanas piederumiem noskaidrojiet pie Husqvarna servisa pārstāvja.

Lietošana

Ievads



BRĪDINĀJUMS: Pirms produkta lietošanas izlasiet un izprotiet drošības norādījumus.

Pirms izstrādājuma lietošanas

- Apskatiet darba vietu un pārliecinieties, vai pārzināt tās reljefu. Apskatiet nogāzi un pārbaudiet, vai uz tās ir šķēršļi, piemēram, akmeņi, zari un grāvji.
- Veiciet pilnīgu izstrādājuma pārbaudi.
- Veiciet drošības pārbaudes, uzturēšanu un apkopi, kas aprakstīta šajā rokasgrāmatā.
- Pārbaudiet, vai motors nav netīrs un saplaisājis. Ar birsti iztīriet motorā iekļuvušo zāli un lapas. Ja nepieciešams, izmantojiet cimdus.
- Pārbaudiet, vai trimmera galva un griešanas ierīces aizsargs nav bojāti vai iekļūvēti. Ja trimmera galva un griešanas ierīce ir tikusi pakļauta triecienam vai ir iekļūvēti, nomainiet to.
- Pārliecinieties, vai visi uzgriežņi un skrūves ir stingri pievilktas.

- Pirms izstrādājuma iedarbināšanas pārliecinieties, vai visi pārsegi, aizsargi, rokturi un griešanas aprīkojums ir pareizi piestiprināts un nav bojāts.

Akumulators



BRĪDINĀJUMS: Pirms izmantojat akumulatoru, izlasiet nodaļu par drošību un pārliecinieties, vai saprotat to. Izlasiet arī akumulatora un akumulatora lādētāja komplektā iekļauto lietotāja rokasgrāmatu un pārliecinieties, vai izprotat to.

Glabājiet akumulatoru un tā lādētāju pareizā apkārtējās vides temperatūrā.

	Apkārtējās vides temperatūra
Akumulatora darbība izstrādājumā	$-5\text{ }^{\circ}\text{C}$ — $40\text{ }^{\circ}\text{C}$
Akumulatora uzlāde	$0\text{ }^{\circ}\text{C}$ — $35\text{ }^{\circ}\text{C}$

Akumulatora uzlāde

Pirms pirmās lietošanas reizes uzlādējiet akumulatoru.

Piezīme: Akumulatora uzlāde nenotiek, ja akumulatora temperatūra pārsniedz +35 °C.

1. Pievienojiet akumulatora lādētāja barošanas kabeli iezemētam elektrotīklam.



IEVĒROJIET: Pārļiecinieties, vai elektrotīklam ir atbilstošs spriegums un frekvence.

2. Ievietojiet akumulatoru akumulatora lādētājā. Akumulators ir pievienots akumulatora lādētājam, kad mirgo zaļas krāsas LED indikators. (Att. 38)
3. Akumulators ir pilnībā uzlādēts, kad deg zaļas krāsas LED indikators. Akumulatora uzlādes laiks nedrīkst pārsniegt 24 stundas.
4. Atvienojiet akumulatora lādētāju no elektrotīkla.



IEVĒROJIET: Nevelciet aiz barošanas kabeli.

5. Izņemiet akumulatoru no lādētāja.

Akumulatora stāvokļa LED indikators uz akumulatora lādētāja

Sarkanas krāsas LED indikators (A) un zaļas krāsas LED indikators (B) uz akumulatora lādētāja norāda akumulatora stāvokli. Informāciju par ieteicamo tukšgaitas ātrumu skatiet šeit: *Akumulatora stāvokļa LED indikators uz izstrādājuma lpp. 299.*

(Att. 39)

LED indikators	Akumulatora statuss
LED indikators ātri mirgo zaļā krāsā.	Akumulators tiek uzlādēts.
LED indikators lēni mirgo zaļā krāsā.	Akumulatora uzlādes līmenis ir 80%.
Deg zaļas krāsas LED indikators.	Akumulators ir pilnībā uzlādēts.
Deg sarkanas krāsas LED indikators.	Informāciju par ieteicamo tukšgaitas ātrumu skatiet šeit: <i>Akumulatora stāvokļa LED indikators uz izstrādājuma lpp. 299.</i>
LED indikators ātri mirgo sarkanā krāsā.	Informāciju par ieteicamo tukšgaitas ātrumu skatiet šeit: <i>Akumulatora stāvokļa LED indikators uz izstrādājuma lpp. 299.</i>

Akumulatora stāvokļa LED indikators uz izstrādājuma

Kad akumulators ir uzstādīts izstrādājumā, LED indikatori uz izstrādājuma parāda akumulatora stāvokli. (Att. 40)

LED indikators	Akumulatora statuss
Deg 1., 2. un 3. LED indikators.	Pilnībā uzlādēts.
Deg 1. un 2. LED indikators.	Pietiekami uzlādēts
Deg 1. LED indikators.	Zems akumulatora uzlādes līmenis.
Mirgo 1. LED indikators.	Akumulators ir tukšs. Mirgo akumulatora stāvokļa indikators. Uzlādējiet akumulatoru. Informāciju par ieteicamo tukšgaitas ātrumu skatiet šeit: <i>Akumulatora uzlāde lpp. 299.</i>

Akumulatoru savienošana ar izstrādājumu



BRĪDINĀJUMS: Akumulatoru izmantojiet tikai POWER FOR ALL sistēmas 18 V izstrādājumiem.

1. Pārļiecinieties, vai akumulators ir pilnībā uzlādēts.
2. Iebīdīet akumulatoru izstrādājuma akumulatora turētājā. Akumulatoram ir viegli jāiebīdās turētājā, pretējā gadījumā tas nav uzstādīts pareizi.

(Att. 41)

3. Atskatot klikšķim, akumulators automātiski nofiksējas.

Produkta ieslēgšana

1. Turiet nospiestu ieslēgšanas/izslēgšanas slēdzi, līdz iedegas zaļais LED indikators. (Att. 42)
2. Nospiediet piedziņas mēlītes bloķētāju un piedziņas mēlīti. Griešanas aprīkojums sāks griezties.

Cilpas formas roktura un teleskopiskās vārpstas regulēšana

1. Nospiediet cilpas formas roktura regulēšanas pogu.

(Att. 43)

2. Novietojiet cilpas veida rokturi piemērotā leņķī.
3. Atlaidiet cilpas formas roktura regulēšanas pogu.
4. Atlaidiet vaļīgāk vārpstas sviru. (Att. 44)

- Iestatiet vajadzīgo vārpstas garumu.
- Nolaidiet sviru un pievelciet skrūvi.

Piezīme: Abas cilpas formas roktura pozīcijas attēlā tālāk ir paredzētas tikai transportēšana un/vai uzglabāšanai.

(Att. 45)

Automātiskās izslēgšanas funkcija

Izstrādājumam ir automātiska izslēgšanas funkcija, kas aptur izstrādājumu, ja tas netiek izmantots. Izstrādājums izslēdzas pēc 3 minūtes.

Izstrādājuma darbināšana

Zāles apgriešana

- Turiet trimmera galvu slīpi tieši virs zemes. Nespiediet trimmera auklu tieši zālē. (Att. 46)
- Saīsiniet trimmera auklu par 8–10 cm/3,15–4 collām.

Zāles iztīrīšana

- Turiet trimera galvu virs zemes līmeņa.
- Sasveriet trimera galvu.
- Apgrieziet ar trimera auklas galu apkārt darba zonā esošajiem objektiem.



IEVĒROJIET: Apgrieziet zāli. Citi objekti, kurus aizskar trimera aukla, palielina trimera auklas nodilumu.

Zāles pļaušana

- Zāles pļaušanas laikā trimmera auklai jābūt paralēli zemei. (Att. 47)

- Nespiediet trimmera galvu pret zemi. Pretējā gadījumā izstrādājumam var rasties bojājumi.
- Griežot zāli, virziet izstrādājumu horizontālā virzienā no vienas puses uz otru. (Att. 48)

Zāles aizslaucīšana

Gaisa plūsmu no rotējošās trimmera auklas var izmantot, lai aizvāktu nogrieztu zāli no kāda apgabala.

- Turiet trimmera galvu un trimmera auklu paralēli zemei un virs zemes.
- Virziet trimmera galvu no vienas puses uz otru un aizslaukiet zāli.



BRĪDINĀJUMS: Noīriet trimmera galvas pārsegu katru reizi, kad piestiprināt jaunu trimmera auklu, lai novērstu līdzsvara zudumu un vibrāciju rokturos. Pārbaudiet arī pārējās trimmera galvas daļas un vajadzības gadījumā tās noīriet.

Izstrādājuma apturēšana

- Atlaidiet piedziņas mēlīti vai piedziņas mēlītes bloķētāju.
- Nospiediet un turiet ieslēgšanas/izslēgšanas slēdzi, līdz zaļais LED indikators nodziest.
- Nospiediet atlaišanas pogu uz akumulatora un izņemiet akumulatoru no izstrādājuma. (Att. 49)

Trimera auklas nomaīņa

Skatiet pēdējo lappusi šajā lietošanas rokasgrāmatā.

Apkope

Ievads



BRĪDINĀJUMS: Pirms ķēdes zāģa apkopes veikšanas izlasiet un izprotiet sadaļu par drošības pasākumiem.

Apkopes grafiks



BRĪDINĀJUMS: Pirms veicat apkopi, izņemiet akumulatoru.

Tālāk ir redzams produkta apkopes darbību saraksts. Plašāku informāciju skatiet šeit: *Apkope lpp. 300.*

Apkope	Katru dienu	Reizi nedēļā	Reizi mēnesī
Tīriet izstrādājuma ārējās daļas ar sausu drānu. Neizmantojiet ūdeni.	X		
Pārļiecinieties, vai iedarbināšanas/apturēšanas poga darbojas pareizi un nav bojāts.	X		
Pārbaudiet, vai spēka sprūds un spēka sprūda bloķēšanas funkcija darbojas pareizi un atbilstoši drošības noteikumiem.	X		

Apkope	Katru dienu	Reizi nedēļā	Reizi mēnesī
Pārļiecinieties, ka visas vadības ierīces darbojas un nav bojātas.	X		
Rokturiem jābūt sausiem un tīriem no smērvielas un eļļas.	X		
Pārļiecinieties, vai griešanas ierīce nav bojāta. Ja griešanas ierīce ir bojāta, nomainiet to.	X		
Pārbaudiet, vai griešanas ierīces aizsargs nav bojāts. Ja griešanas ierīces aizsargs ir bojāts, nomainiet to.	X		
Pārļiecinieties, vai skrūves un uzgriežņi ir stingri pievilkti.	X		
Pārbaudiet, vai darbojas akumulatora atbrīvošanas pogas un vai tās fiksē vietā izstrādājuma akumulatoru.	X		
Pārbaudiet, vai akumulatora lādētājs nav bojāts un darbojas pareizi.	X		
Pārļiecinieties, vai akumulators nav bojāts.	X		
Pārļiecinieties, vai akumulators ir uzlādēts.	X		
Pārļiecinieties, vai akumulatora lādētājs nav bojāts.	X		
Pārbaudiet visus kabeļus un savienojumus. Pārļiecinieties, vai tie nav bojāti un netīri.		X	
Pārbaudiet savienojumus starp akumulatoru un izstrādājumu. Pārbaudiet savienojumu starp akumulatoru un akumulatora lādētāju.			X

Akumulatora un akumulatora lādētāja pārbaude

1. Pārbaudiet, vai akumulators nav bojāts, piemēram, vai tajā nav plaisu.
2. Pārbaudiet, vai akumulatora lādētājs nav bojāts, piemēram, vai tajā nav plaisu.
3. Pārļiecinieties, vai akumulatora lādētāja savienojuma vads nav bojāts un vai tajā nav plaisu.

Produkta, akumulatora un akumulatora lādētāja tīrīšana

1. Pēc lietošanas tīriet produktu ar sausu drānu.
2. Tīriet akumulatoru un akumulatora lādētāju ar sausu drānu. Akumulatora vadotnes sliedēm ir vienmēr jābūt tīrām.
3. Pārļiecinieties, vai akumulatora un akumulatora lādētāja spaiļes ir tīras, pirms akumulators tiek ievietots akumulatora lādētājā vai produktā.

Trimmera galvas pārbaude un nomaīņa

1. Pārbaudiet, vai trimmera galvai nav bojājumu vai plaisu.
2. Grieziet piedziņas vārpstu, līdz piedziņas diska atvere salāgojas ar atveri zobratu korpusā.
3. Lai fiksētu vārpstu, ievietojiet atverē kombinēto darbarīku.
4. Pagrieziet trimmera galvu pretēji pulkstenrādītāju kustības virzienam.

(Att. 50)

5. Nomainiet trimmera galvu.
6. Uzstādiet trimmera galvu. Informāciju par ieteicamo tukšgaitas ātrumu skatiet šeit: *Trimmera galvas uzstādīšana lpp. 298.*

Problēmu novēršana

Lietotāja saskarne

Problēma	Iespējamās kļūmes	Iespējamais risinājums
Mirgo zaļais iedarbināšanas LED indikators.	Akumulators izlādējies.	Uzlādējiet akumulatoru.
Mirgo sarkanais kļūdu LED indikators.	Pārslodze.	Plaušanas palīgierīce nevar brīvi kustēties. Atbrīvojiet plaušanas palīgierīci.
	Temperatūras nobīde.	Iļaujiet izstrādājumam atdzist.
	Piedziņas mēlīte tika nospiesta vienlaicīgi ar pogu START.	Atlaidiet piedziņas mēlīti un nospiediet pogu START.
Zaļais LED indikators un sarkanais LED indikators pārmaiņus mirgo.	Akumulators ir izlādējies.	Uzlādējiet akumulatoru.
	Akumulators ir bojāts.	Sazinieties ar izplatītāja servisu.

Akumulatora lādētājs

LED indikators uz akumulatora lādētāja	Cēlonis	Risinājums
Deg zaļas krāsas LED indikators un mirgo sarkanās krāsas LED indikators.	Akumulators nav pareizi uzstādīts akumulatora lādētājā.	Izņemiet akumulatoru no lādētāja un vēlreiz ievietojiet, uzstādot pareizi.
	Akumulatora savienotāji ir nefīri.	Notīriet akumulatora savienotājus.
	Apkārtējās vides temperatūra ir pārāk augsta vai pārāk zema.	Akumulatora lādētāju drīkst izmantot temperatūras diapazonā no 0 °C līdz +35 °C.
	Akumulatora bojājums.	Nomainiet akumulatoru.
Zaļas krāsas LED indikators un sarkanās krāsas LED indikators nodziest.	Akumulatora lādētājs nav pareizi pievienots elektroīkla kontaktligzdai.	Savienojiet akumulatora lādētāju ar elektroīkla kontaktligzdu.
	Elektroīkla kontaktligzdas kļūme.	Pievienojiet akumulatora lādētāju atbilstoši spriegumam un frekvencei, kas norādīta datu plāksnītē.
	Bojāts akumulatoru lādētāja kabelis.	Sazinieties ar pilnvarotu apkopes pārstāvi.
	Akumulatoru lādētājs ir bojāts.	
Citas kļūdas.	Ja rodas citas kļūdas, izslēdziet izstrādājumu, izņemiet akumulatoru un sazinieties ar apstiprinātu apkopes pārstāvi.	

Pārvadāšana, glabāšana un utilizēšana

Pārvadāšana un uzglabāšana

- Komplektācijā iekļautie litiņa jonu akumulatori atbilst bīstamo preču normatīvu prasībām.
- Ievērojiet īpašās prasības, kas norādītas uz iepakojuma un uzlīmēm attiecībā uz komerciālu transportēšanu, kā arī trešo pušu un pārsūtīšanas uzņēmumu prasības.
- Pirms sūtīt pūtēju, sazinieties ar bīstamo materiālu pārvadāšanas speciālistu. Ievērojiet visus spēkā esošos konkrētās valsts likumus.
- Kad ievietojat akumulatoru iepakojumā, uz atklātajiem kontaktiem uzlieciet līmlenti. Stingri ievietojiet akumulatoru iepakojumā, lai nepieļautu izkustēšanos.
- Transportēšanas vai uzglabāšanas nolūkos izņemiet akumulatoru.
- Novietojiet akumulatoru un akumulatora lādētāju sausā vietā, kuru neietekmē mitrums un sals.
- Neglabājiet akumulatoru vietās, kur var rasties statiskā elektrība. Neglabājiet akumulatoru metāla kārbā.
- Novietojiet akumulatoru uzglabāšanai vietā, kur temperatūra ir diapazonā no -20 °C/-4 °F līdz +50 °C/122 °F un kas nav pakļauta tiešas saules gaismas ietekmei.
- Novietojiet lādētāju glabāšanai vietā, kur temperatūra ir diapazonā no 5 °C/41 °F līdz 45 °C/113 °F un ko neskar tieša saules gaisma.
- Novietojiet akumulatoru uzglabāšanai vietā, kur temperatūra ir diapazonā no -40 °C/-40 °F līdz +60 °C/140 °F.
- Izmantojiet akumulatora lādētāju tikai tad, ja apkārtējā temperatūra ir diapazonā no 0 °C/32 °F līdz 35 °C/95 °F.

- Pirms akumulatoru novietošanas ilgstošai uzglabāšanai, uzlādējiet to par 30–50%.
- Novietojiet akumulatora lādētāju slēgtā un sausā vietā.
- Uzglabāšanas laikā neturiet akumulatoru lādētāja tuvumā. Neļaujiet bērniem un citām nepiederošām personām pieskarties aprīkojumam. Glabājiet aprīkojumu slēdzamā vietā.
- Notīriet pūtēju un veiciet pilnu apkopi, pirms novietojat pūtēju ilgstošai glabāšanai.
- Izmantojiet transportēšanas aizsargu uz pūtēja, lai nepieļautu traumas vai pūtēja bojājumus transportēšanas vai glabāšanas laikā.
- Transportēšanas laikā droši nostipriniet pūtēju.
- Novietojiet pūtēju uzglabāšanai horizontāli vai uzkariniet to uz komplektā iekļautā āķa. Skatiet šeit: *Āķa uzstādīšana pie sienas lpp. 298.*

(Att. 51)

Akumulatora, lādētāja un produkta likvidācija

Tālāk esošais simbols nozīmē, ka produkts nav sadzīves atkritumi. Utilizējiet to elektrisko un elektronisko ierīču pārstrādes uzņēmumā. Tādējādi tiek samazināta kaitīgā ietekme uz vidi un cilvēkiem.

Lai iegūtu papildinformāciju, sazinieties ar vietējām iestādēm, sadzīves atkritumu apsaimniekotāju vai izplatītāju.

(Att. 18)

Piezīme: Simbols ir redzams uz produkta vai produkta iepakojuma.

Tehniskie dati

Tehniskie dati

	Aspire T28-P4A
Motors	
Motora tips	PMDC
Dzenamās vārpstas ātrums, apgr./min	6800
Plaušanas platums, mm	280
Svars	
Svars bez akumulatora, kg	2,6
Svars kopā ar akumulatoru (P4A 18-B45/P4A 18-B70), kg	3,0/3,3

		Aspire T28-P4A
Trokšņa emisija ⁴³		
Skaņas jaudas līmenis, izmērītais dB (A)		85
Skaņas jaudas līmenis, garantētais L _{WA} dB (A)		88
Trokšņa līmeņi ⁴⁴		
Ekvivalents skaņas spiediena līmenis pie operatora auss, mērīts atbilstoši standartam EN ISO 50636-2-91, dB (A):		73
Vibrācijas līmeņi ⁴⁵		
Vibrācijas līmeņi pie rokturiem, mērīti atbilstoši standartam EN50636-2-91, m/s ²		2,26/1,61
Aprikojumā iekļauta priekšējā/aizmugurējā trimmera galva (oriģinālā).		

Akumulators	P4A 18-B45	P4A 18-B72
Tips	Litija jonu	Litija jonu
Akumulatora ietilpība, Ah	Skatiet akumulatora datu uzlīmi	Skatiet akumulatora datu uzlīmi
Nominālais spriegums, V	18	18
Svars, kg	0,4	0,7

Akumulatora lādētājs	P4A 18-C70
Elektroflīkla spriegums, V	220–240
Frekvence, Hz	50–60
Jauda, W	70
Izvades spriegums, V d.c./ ampēri, A	14,4-18/3

⁴³ Atbilstoši EK direktīvai 2000/14/EK trokšņa emisija apkārtņē ir mērīta kā akustiskā jauda (L_{WA}). Atšķirība starp garantēto un izmērīto skaņas jaudas līmeni ir tāda, ka garantētā skaņas intensitātes līmeņa mērījumu rezultāts ietver arī izkliedi mērījuma rezultātā un atšķirības dažādiem tā paša modeļa izstrādājumiem atbilstoši Direktīvai 2000/14/EK.

⁴⁴ Sniegtajos datos par ekvivalenta skaņas spiediena līmeni ierīcei ir tipiska statistiskā 3 dB (A) izkliede (standartnovirze).

⁴⁵ Sniegtajos datos par vibrācijas līmeni tipiska statistiskā izkliede ir 1,5 m/s² (standarta novirze).

Piederumi

Apstiprinātie piederumi

Apstiprinātie piederumi	Tips	Pļaušanas palīgierīces aizsargaprīkojums, art. nr.
Trimerā galva	A15B M5 (Ø 1,6 mm aukla)	536 47 32-01

Atbilstības deklarācija

ES atbilstības deklarācija

Mēs, **Husqvarna AB**, SE-561 82 Huskvarna, Zviedrija, tālr. +46-36-146500, ar pilnu atbildību apliecinām, ka šis izstrādājums:

Apraksts	Zāles trimmeris ar akumulatoru
Zīmols	Husqvarna
Tips/modelis	Aspire T28-P4A
Identifikācija	Ar sērijas numuriem no 2023 un turpmākiem sērijas numuriem

pilnībā atbilst šādām ES direktīvām un noteikumiem:

Direktīva/regula	Apraksts
2006/42/EK	"par iekārtām"
2014/30/ES	"par elektromagnētisko savietojamību"
2000/14/EK	"par trokšņa emisiju vidē"
2011/65/ES	"par dažu bīstamu vielu izmantošanas ierobežošanu elektriskās un elektroniskās iekārtās"

un ir ievēroti zemāk norādītie saskaņotie standarti un/vai tehniskie dati: EN 60335-1:2012/A15:2021, EN 50636-2-91:2014, EN IEC 63000:2018, EN IEC 55014-1:2021; EN IEC 55014-2:2021.

Pilnvarotā iestāde: 0158 DEKRA Testing and Certification GmbH, Handwerkstraße 15, 70565 Stuttgart, Germany ir apstiprinājusi atbilstību Padomes Direktīvai 2000/14/EK, atbilstības novērtēšanas procedūrai: VI pielikums.

Informāciju par trokšņa emisiju skatiet šeit: *Tehniskie dati lpp. 303.*

Huskvarna, 2023-12-14



Claes Losdal, izpētes un attīstības nodaļas vadītājs,
Husqvarna AB

Atbildīgais par tehnisko dokumentāciju



Licences

Autortiesības © 2012–2020 STMicroelectronics

Garantija neattiecas uz bojājumiem, kas radušies parastas nolietošanās, pavisās lietošanas, nesankcionēta remonta dēļ vai pievienojot sūkšanas aparātu neatbilstoša sprieguma elektroīklam.

Visas tiesības aizsargātas.

Ir atļauta izplatīšana un izmantošana avota un binārās formās (ar modifikācijām vai bez tām), ja tiek ievēroti tālāk norādītie nosacījumi:

- Izplatītājā avota kodā ir jābūt ietvertam iepriekš redzamajam autortiesību paziņojumam, šim nosacījumu sarakstam un tālāk redzamajai atrunai.
- Dokumentācijā un/vai citos materiālos, kas tiek nodrošināti izplatīšanas rezultātā binārā formā, ir jābūt atspoguļotam iepriekš redzamajam autortiesību paziņojumam, šim nosacījumu sarakstam un tālāk redzamajai atrunai.
- Ja iepriekš nav saņemta konkrēta rakstiska atļauja, tad ne STMicroelectronics nosaukumu, ne arī šī uzņēmuma līdzstrādnieku nosaukumu nedrīkst izmantot, lai veicinātu vai reklamētu no šīs programmatūras atvasinātos produktus.

AUTORTIESĪBU TURĒTĀJI UN LĪDZSTRĀDNIEKI NODROŠINA ŠO PROGRAMMATŪRU "TĀDU, KĀDA TĀ IR", UN NETIEK IETVERTAS NEKĀDAS IZTEIKTAS VAI IETVERTAS GARANTIJAS, TOSTARP (BET NE TIKAI) IETVERTĀ GARANTIJA ATTIECĪBĀ UZ PĀRDODAMĪBU VAI PIEMĒROTĪBU KONKRĒTAM MĒRĶIM. AUTORTIESĪBU TURĒTĀJI UN LĪDZSTRĀDNIEKI NEKĀDĀ GADĪJUMĀ NEATBILD PAR JEBKĀDIEM TIEŠIEM, NETIEŠIEM, NEJAUŠIEM, SPECĪĻIEM, PAMĀČOŠIEM VAI IZRIETOŠIEM ZAUDĒJUMIEM (IESKAITOT, BET NEAPROBEŽOJOTIES AR AIZSTĀJOŠU PREČU VAI PAKALPOJUMU NODROŠINĀŠANU, LIETOJAMĪBAS, DATU VAI PEĻNAS ZUDUMU, KĀ ARĪ UZŅĒMĒJDARBĪBAS PĀRTRAUKŠANU), LAI KĀ ARĪ TIE NETIKTU IZRAISĪTI, KĀ ARĪ JEBKUROŠ ATBILDĪBAS PIENĒMUMOS, VAI TĀS BŪTU SASKAŅĀ AR LĪGUMU, NOTEIKTU ATBILDĪBU VAI CIVILTIESĪBĀM (IESKAITOT NOLAIDĪBU UN CITUS IEMESĻUS), KAS RODAS JEBKĀDĀ VEIDĀ, IZMANTOJOT ŠO PROGRAMMATŪRU, PAT TAD, JA TĪKA SNIEGTA INFORMĀCIJA PAR ŠĀDU ZAUDĒJUMU RAŠANĀS IESPĒJAMĪBU.

Apache 2.0 licence

Copyright © 2009–2019 Arm Limited. Visas tiesības aizsargātas.

Versija 2.0, 2004. gada janvāris <http://www.apache.org/licenses/>

NOTEIKUMI UN NOSACĪJUMI ATTIECĪBĀ UZ LIETOŠANU, REPRODUKČĒŠANU UN IZPLATĪŠANU

1. Definīcijas

"**Licence**" nozīmē noteikumus un nosacījumus attiecībā uz lietošanu, reproducēšanu un izplatīšanu, kā noteikts šī dokumenta 1.–9. punktā. "**Licenciārs**" ir autortiesību īpašnieks vai uzņēmums, ko autortiesību īpašnieks pilnvarojis, kas izsniedz licenci. "**Juridiskā persona**" nozīmē personu kopumu, kas veic darbības, un visas citas personas, kas kontrolē personu, kuras persona kontrolē vai kas atrodas kopējā kontrolē. Šīs definīcijas ietvaros "**kontrolē**" nozīmē (i) tiešs vai netiešs pilnvarojums ietekmēt šādas juridiskās personas pārvaldību līguma veidā vai kā citādi, (ii) vismaz piecdesmit procenti (50%) īpašumā esošu apgrozījumā esošu akciju vai (iii) vai faktiskas īpašumtiesības uz šādu juridisku personu. "**Jūs**" (vai "**Jūsu**") nozīmē fizisku vai Juridisku personu, kas izmanto ar šo licenci piešķirtās tiesības. "**Avota**" forma nozīmē izvēlēta forma modifikāciju veikšanai, tostarp (bet ne tikai) programmatūras avota kods, dokumentācijas avots un konfigurācijas faili. "**Objekta**" forma nozīmē jebkāda veida formu, kas iegūta, mehāniski pārveidojot vai tulkojot Avota formu, tostarp (bet ne tikai) apkopoto objekta kodu, ģenerēto dokumentāciju un pārveidojumus citos multivides veidos. "**Darbs**" nozīmē autortiesību darbu gan Avota, gan Objekta formā, kas tiek nodrošināts ar Licenci, kā norādīts autortiesību paziņojumā, kas ir ietverts darbā vai tam pievienots (piemērs ir sniegts tālāk Pielikumā). "**Atvasināti darbi**" nozīmē jebkāda veida darbu Avota vai Objekta formā, kura pamatā ir Darbs, vai kas to tā ir atvasināts, un kurā redaktora pārskatī, anotācijas, papildinājumi vai citas modifikācijas kopumā veido oriģinālo autortiesību darbu. Šīs Licences ietvaros Atvasinātie darbi nav darbi, kas paliek atdalāmi vai ir tikai piesaistīti (vai saistīti ar nosaukumu) ar Darba vai no tā Atvasināto darbu saskarnēm. "**Ieguldījums**" nozīmē jebkādu autortiesību darbu, tostarp Darba sākotnējo versiju un jebkādas Darba vai tā Atvasināto darbu modifikācijas vai papildinājumus, ko autortiesību īpašnieks, fiziska persona vai Juridiskā persona, ko autortiesību īpašnieks pilnvarojis iesniegt autortiesību īpašnieka vārdā, apzināti iesniedz Licenciāram iekļaušanai Darbā. Šīs definīcijas ietvaros "**iesniegt**" nozīmē jebkāda veida elektronisku, verbālu vai rakstisku komunikāciju, kas nosūtīta Licenciāram vai tā pārstāvjiem, tostarp (bet ne tikai) komunikācija elektroniskajos pasta sūtīšanas sarakstos, avota koda kontroles sistēmās un problēmu izsekošanas sistēmās, ko pārvalda Licenciārs vai kāds cita viņa vārdā ar mērķi pārrunāt un uzlabot Darbu, bet neietverot komunikāciju, kas ir marķēta kā aizdomīga vai arī, ja autortiesību īpašnieks to kā citādi rakstiski apzīmējis kā "**Nav ieguldījums**". "**Ieguldītājs**" ir Licenciārs vai jebkura fiziska vai Juridiska persona, kuras vārdā Licenciārs ir saņēmis ieguldījumu un pēc tam inkorporējis to Darbā.

2. Autortiesību Licences piešķiršana.

Saskaņā ar šīs Licences noteikumiem un nosacījumiem ar šo katrs ieguldītājs Jums piešķir beztermiņa neekskluzīvu, neatsaucamu autortiesību licenci, kas

darbojas visā pasaulē un tiek piešķirta bez maksas un autoratļūdzības; licence ļauj reproducēt, sagatavot Atvasinātus darbus, publiski attēlot, publiski uzstāties, izdot apakšlicences un izplatīt Darbu un šādus Atvasinātus darbus Avota vai Objekta formā.

3. Patenta Licences piešķiršana.

Saskaņā ar šīs Licences noteikumiem un nosacījumiem ar šo katrs leguldītājs Jums piešķir beztermiņa neekskluzīvu, neatsaucamu (izņemot šajā sadaļā norādītos nosacījumus) patenta licenci, kas darbojas visā pasaulē un tiek piešķirta bez maksas un autoratļūdzības; šī licence ļauj izgatavot (tagadnē un pagātnē), izmantot, piedāvāt tirdzniecībā, pārdot, importēt un citādā veidā nodot Darbu, ja šāda licence attiecas tikai uz tādām patentu prasībām, kurām Licences var piešķirt leguldītājs, kuras nenovēršami pārķāpj tikai savu(-s) leguldījumu(-s) vai savu(-us) leguldījumu(-us) kombināciju ar Darbu, kuram šāds(-i) leguldījums(-i) tika iesniegts(-i). Ja Jūs uzsākat patenta strīda tiesvedību pret kādu personu (ietverot pretraspību vai papildu pretraspības tiesas prāvā) apgalvojot, ka Darbs vai Darbā ietvertais leguldījums ir tiešs vai ietverts patenta pārķāpums, tad visas patenta licences, kas Jums piešķirtas šīs Licences ietvaros šim Darbam, zaudē spēku ar dienu, kad šāda tiesvedība tiek reģistrēta.

4. Tālāka izplatīšana.

Jūs drīkstat reproducēt un izplatīt Darba vai Atvasināto darbu kopijas jebkāda veida multivīdē, ar modifikācijām vai bez, Avota vai Objekta formā, ja vien tiek ievēroti tālāk norādītie nosacījumi:

- Jums jānodod šīs Licences kopija visiem citiem Darba vai Atvasināto darbu saņēmējiem;
- Jums jānodrošina, lai visos modificētajos failos būtu ietvertas skaidras norādes par to, ka Jūs veicāt izmaiņas failos; un – Jums Avota formā jā saglabā visi Atvasinātie darbi, kurus Jūs izplatāt, visi autoritātes, patenta, prečmērķu un attiecinājuma paziņojumi no Darba Avota formas, izņemot tos paziņojumus, kas neattiecas ne uz vienu Atvasinātā darba daļu;
- Ja Darbā kā daļa no tā izplatīšanas ir ietverts teksta fails **"NOTICE"** (Paziņojums), tad jebkādos Jūsu izplatītajos Atvasinātajos darbos ir jābūt ietvertai šādā NOTICE failā ietvertu attiecinājuma paziņojumu lasāmai kopijai, izņemot paziņojumus, kas neattiecas ne uz vienu Atvasinātā darba daļu; tai jābūt vismaz vienā no šādām vietām: pašā NOTICE teksta failā, kas tiek izplatīts kā daļa no Atvasinātajiem darbiem; Avota formā vai dokumentācijā, ja tā tiek nodrošināta kopā ar Atvasinātajiem darbiem; vai arī displeja ietvaros, ko ģenerē Atvasinātie darbi, ja un kur šādi trešo pušu paziņojumi parasti parādās. NOTICE faila saturs ir paredzēts tikai informācijas nolūkiem, un tas nemođificē Licenci. Jūs savos izplatītajos Atvasinātajos darbos varat pievienot savus attiecinājuma paziņojumus, ietverot tos Darba NOTICE tekstā vai papildinot to, ar nosacījumu, ka šādus papildu attiecinājuma paziņojumus nevar

uzskatīt par Licences modifikēšanu. Jūs savām modifikācijām varat pievienot savu autoritātes apliecinājumu, un Jūs varat sniegt papildu vai atsevišķus licences noteikumus un nosacījumus attiecībā uz lietošanu, reproducēšanu vai izplatīšanu Jūsu modifikācijām vai jebkāda veida šādiem Atvasinātiem darbiem kopumā, ar nosacījumu, ka Jūs veicat Darba izmantošanu, reproducēšanu un izplatīšanu saskaņā ar šīs Licences noteikumiem.

5. leguldījumu iesniegšana.

Ja vien Jūs skaidri nenorādāt citādi, uz jebkāda veida leguldījumu, kas apzināti ir iesniegts, lai Jūs vai Licenciārs to iekļautu Darbā, attiecas šīs Licences noteikumi un nosacījumi bez papildu noteikumiem un nosacījumiem. Neatkarīgi no iepriekš izklāstītā, attiecībā uz šāda veida leguldījumiem nekas šajā dokumentā neatceļ un nemođificē jebkāda atsevišķa licences līguma noteikumus, ko esat noslēdzis ar Licenciāru.

6. Preču zīmes.

Šī Licence nedod tiesības izmantot Licenciāra tirdzniecības nosaukumus, preču zīmes, pakalpojuma zīmes vai produktu nosaukumus, izņemot, cik tas nepieciešams atbilstoši un ierastai lietošanai, aprakstot Darba izcelsmi un reproducējot NOTICE faila saturu.

7. Garantijas atruna

Izņemot gadījumus, ja šāda prasība ir noteikta piemērojamajā likumdošanā vai par to pastāv rakstiska vienošanās, Licenciārs nodrošina Darbu (un katrs leguldītājs nodrošina savu leguldījumu) "TĀDU, KĀDS TAS IR", NENODROŠINOT NEKĀDA VEIDA GARANTIJAS VAI NOSACĪJUMUS, ne tiešus, ne netiešus, tostarp, bez ierobežojuma, nekādas garantijas vai nosacījumu attiecībā uz NOSAUKUMU, TIESĪBU NEAIZSKARŠANU, PIEMĒROTĪBU PĀRDOŠANAI vai ATBILSTĪBU NOTEIKTAM MĒRĶĪTAM. Jūs esat pilnībā atbildīgs par to, lai noteiktu Darba piemērotību izmantošanai vai izplatīšanai, un pilnībā uzņematies riskus saistībā ar to, kā Jūs izmantojat atļaujas šīs Licences ietvaros. 8. Atbildības ierobežojums. Nekādā gadījumā un nekādos atbildības pieņēmumos, vai tas būtu saistībā ar civiltiesībām (tostarp nevērību), saskaņā ar līgumu vai kā citādi, izņemot, ja tāda prasība noteikta piemērojamajā likumdošanā (piem., apzināta un rupji nolaidīga rīcība) vai par to ir rakstiska vienošanās, neviena leguldītājs nav atbildīgs attiecībā pret Jums par bojājumiem, tostarp jebkāda veida tiešiem, netiešiem, īpašiem, nejausiem vai izrietošiem bojājumiem, kas radušies šīs Licences rezultātā, Darba izmantošanas rezultātā vai tāpēc, ka Darbu nebija iespējams izmantot (tostarp (bet ne tikai) par bojājumiem saistībā ar nemateriālajiem zaudējumiem, darba pārtraukumiem, datoru atteici vai darbības traucējumiem, vai kāds vai visi no komerciāliem nodarījumiem vai zaudējumiem) pat tad, ja leguldītājs tika brīdināts par šādu bojājumu iespējamību.

9. Garantijas vai papildu atbildības apstiprināšana.

Kad Jūs izplatāt Darbu vai tā Atvasinātos darbus, Jūs varat izvēlēties piedāvāt un iekasēt maksu par atbalsta pieņemšanu, garantiju, atbrīvošanu no atbildības vai citām garantijas saistībām un/vai tiesībām saskaņā ar šo Licenci. Tomēr, pieņemot šādas saistības, Jūs varat rīkoties tikai savā vārdā un, pilnībā uzņemoties atbildību, nevis, pārstāvēt kādu citu leguldītāju, turklāt tikai tāda

gadījumā, ja Jūs piekrītat aizsargāt katru leguldītāju, nodrošinot atbildzinājumu un pasargājot leguldītāju no garantijām un prasībām, kas leguldītājam radušās jo Jūs esat uzņēmies jebkādu šādu garantiju vai papildu atbildību. NOTEIKUMU UN NOSACĪJUMU BEIGAS

Inhoud

Inleiding.....	309	Vervoer, opslag en verwerking.....	323
Veiligheid.....	311	Technische gegevens.....	324
Montage.....	318	Accessoires.....	325
Werking.....	319	Verklaring van overeenstemming.....	326
Onderhoud.....	321	Vergunningen.....	327
Probleemoplossing.....	322	Bijlage	507

Inleiding

Productbeschrijving

Husqvarna Aspire T28-P4A is een grastrimmer met accu en een elektromotor.

Er wordt voortdurend gewerkt aan het verhogen van uw veiligheid en efficiëntie tijdens bedrijf. Neem voor meer informatie contact op met uw servicedealer.

Gebruik

Het product wordt gebruikt in combinatie met een trimmerkop om gras te maaien. Gebruik het product

niet voor andere werkzaamheden dan het trimmen en maaien van gras.

Let op: Nationale wetgeving kan het gebruik van dit product mogelijk beperken.

Snelgids

Scan de QR-code voor advies over het gebruik van het product.

(Fig. 20)

Productoverzicht

(Fig. 1)

1. Trimmerkop
2. Beschermkap voor snijuitrusting
3. Plantbeschermer
4. Afstelling steel (telescoop)
5. Steel
6. Lusgreep
7. Onderhoudsafdekking
8. Afstelknop lusgreep
9. Gebruikers interface
10. Waarschuwingslampje
11. Laadstatuslampje
12. ON/OFF-knop
13. Voedingsschakelaar
14. Vergrendeling voedingsschakelaar
15. Accu (P4A 18-B45)
16. Accuontgrendelknop
17. Accu (P4A 18-B72)
18. Acculader (P4A 18-C70)
19. Connector
20. Spannings- en waarschuwingslampje

21. Combinatietang
22. Wandhaak
23. Schroeven en wandpluggen voor wandhaak
24. Bedieningshandleiding

Symbolen op het product

(Fig. 2) **WAARSCHUWING:** Dit product kan gevaarlijk zijn en ernstig of fataal letsel toebrengen aan de gebruiker of anderen. Wees voorzichtig en gebruik het product op de juiste manier.

(Fig. 3) Lees de bedieningshandleiding zorgvuldig door en zorg dat u de instructies hebt begrepen voordat u het product gebruikt.

(Fig. 4) Gebruik oogbescherming.

(Fig. 5) Stel het product niet bloot aan regen.

(Fig. 6) Geluidsemissies naar het omgevingslabel volgens de richtlijnen en voorschriften van de EU en het VK en de wetgeving

van Nieuw-Zuid-Wales "Protection of the Environment Operations (Noise Control) Regulation 2017". Het gegarandeerde geluidsvermogensniveau van het product staat vermeld in *Technische gegevens op pagina 324*.

(Fig. 7) Koppel de accu los voor onderhoud.

(Fig. 8) Het product of de verpakking ervan is geen huishoudelijk afval. Lever het in bij een recyclepunt voor elektrische en elektronische apparatuur.

(Fig. 9) Pas op voor wegschietende voorwerpen.

(Fig. 10) Gebruik geen metalen bladen.

(Fig. 11) Het product voldoet aan de geldende EU-richtlijnen.

(Fig. 12) Het product voldoet aan de geldende VK-regelgeving.

(Fig. 13) Gelijkstroom.

(Fig. 17) De afstand tussen de machine en omstanders moet minimaal 15 m (50 ft) zijn.

yyyywwxxxx Het serienummer staat op het productplaatje of de laserdruk. **yyyy** is het productiejaar en **ww** is de productieweek.

Symbolen op het product

(Fig. 2) **WAARSCHUWING:** Dit product kan gevaarlijk zijn en ernstig of fataal letsel toebrengen aan de gebruiker of anderen. Wees voorzichtig en gebruik het product op de juiste manier.

(Fig. 3) Lees de bedieningshandleiding zorgvuldig door en zorg dat u de instructies hebt begrepen voordat u het product gebruikt.

(Fig. 4) Gebruik oogbescherming.

(Fig. 5) Stel het product niet bloot aan regen.

(Fig. 6) Label met geluidsemissies naar de omgeving conform de richtlijnen en voorschriften van de EU (inclusief de wetgeving van Nieuw-Zuid-Wales) en het VK. De geluidsemissiegegevens vindt u

op het machinelabel en in het hoofdstuk Technische gegevens.

(Fig. 7) Koppel de accu los voor onderhoud.

(Fig. 8) Het product of de verpakking ervan is geen huishoudelijk afval. Lever het in bij een recyclepunt voor elektrische en elektronische apparatuur.

(Fig. 9) Pas op voor wegschietende voorwerpen.

(Fig. 10) Gebruik geen metalen bladen.

(Fig. 11) Het product voldoet aan de geldende EU-richtlijnen.

(Fig. 13) Gelijkstroom.

(Fig. 17) De afstand tussen de machine en omstanders moet minimaal 15 m (50 ft) zijn.

yyyywwxxxx Het serienummer staat op het productplaatje of de laserdruk. **yyyy** is het productiejaar en **ww** is de productieweek.

Symbolen op de accu en/of op de accuhouder

(Fig. 18) Lever dit product in bij een recyclepunt voor elektrische en elektronische apparatuur. (Alleen geldig voor Europa)

(Fig. 19) Gebruik de accu alleen in producten van POWER FOR ALL-systeempartners.

(Fig. 14) Faalveilige transformator.

(Fig. 15) Bewaar en gebruik de acculader alleen binnen.

(Fig. 16) Dubbele isolatie.

Schade aan het product

We zijn niet verantwoordelijk voor schade aan ons product als:

- het product niet goed is gerepareerd.

- het product is gerepareerd met onderdelen die niet van de fabrikant afkomstig zijn, of onderdelen die niet zijn goedgekeurd door de fabrikant.
- het product een accessoire bevat dat niet afkomstig is van de fabrikant of niet is goedgekeurd door de fabrikant.
- het product niet is gerepareerd door een erkend servicepunt of door een erkende autoriteit.

Fabrikant

Husqvarna AB

SE-561 82, Huskvarna, Sweden

Veiligheid

Veiligheidsdefinities

Waarschuwingen, voorzorgsmaatregelen en opmerkingen worden gebruikt om te wijzen op belangrijke delen van de handleiding.



WAARSCHUWING: Wordt gebruikt om te wijzen op de kans op ernstig of fataal letsel voor de gebruiker of omstanders wanneer de instructies in de handleiding niet worden gevolgd.



OPGELET: Wordt gebruikt indien er een risico bestaat op schade aan het product en andere eigendommen of aan de omgeving wanneer de instructies in de handleiding niet worden gevolgd.

Let op: Geven verdere informatie die nodig is in een bepaalde situatie.

Algemene veiligheidswaarschuwingen voor elektrisch gereedschap



WAARSCHUWING: Lees alle veiligheidswaarschuwingen en alle instructies. Het niet opvolgen van de waarschuwingen en instructies kan leiden tot elektrische schokken, brand en/of ernstig letsel.

Let op: Bewaar alle waarschuwingen en instructies voor later gebruik. De term "elektrisch gereedschap" in de waarschuwingen verwijst zowel naar gereedschappen die op het lichtnet (met snoer) werken als gereedschappen die met een accu (snoerloos) werken.

Controle voor het starten

- Verwijder altijd de accu om onbedoeld starten van het product te voorkomen. Verwijder altijd de accu voordat u onderhoudswerkzaamheden aan het product uitvoert.

- Controleer het product voor gebruik en na vallen of stoten op tekenen van slijtage of beschadiging en repareer indien nodig.
- Controleer het werkgebied. Verwijder alle losse voorwerpen, zoals stenen, stukjes glas, spijkers, ijzerdraad, touw en dergelijke, die weggeslingerd kunnen worden of vast kunnen komen zitten in de maaier of beschermkap.
- Controleer de motor op vuil en barsten. Gebruik een borstel om de motor te ontdoen van gras en bladeren. Draag handschoenen indien nodig.
- Controleer of de trimmerkop volledig op de trimmer is bevestigd.
- Controleer of het product in goede staat is. Controleer of alle moeren en bouten goed vastgedraaid zijn.
- Controleer de trimmerkop en de trimmerbeschermkap op beschadigingen en barsten. Vervang de trimmerkop of de trimmerbeschermkap indien deze zijn blootgesteld aan slagbelasting of barsten vertonen. Gebruik altijd de aanbevolen beschermkap voor die specifieke snijuitrusting. Zie het hoofdstuk Technische gegevens.
- De gebruiker van het product moet erop toezien dat er tijdens het werk geen mensen of dieren dichterbij dan 15 meter bij het product komen. Indien meerdere gebruikers in hetzelfde gebied werken, moet de veiligheidsafstand minimaal 15 meter bedragen.
- Voer voor gebruik een algemene inspectie van het product uit. Zie het onderhoudsschema.
- Mogelijk zijn landelijke of lokale wettelijke voorschriften van toepassing op het gebruik. Volg de eventuele voorschriften op.

Veiligheid van het werkgebied

- **Zorg ervoor dat de werkplek schoon en goed verlicht is.** In rommelige of donkere gebieden gebeuren eerder ongelukken.
- **Gebruik elektrisch gereedschap niet in een omgeving waar ontploffingsgevaar bestaat, zoals in de buurt van brandbare vloeistoffen, gassen of stof.** Elektrische apparaten creëren vonken waardoor het stof of de dampen kunnen ontbranden.
- **Houd kinderen en omstanders op afstand wanneer u elektrisch gereedschap gebruikt.** U kunt de controle over het apparaat verliezen als u afgeleid wordt.

Elektrische veiligheid

- **Elektrisch gereedschap moet geschikt zijn voor het betreffende stopcontact. Wijzig nooit de stekker. Gebruik nooit een adapterstekker in combinatie met geaarde elektrische gereedschappen.** Ongewijzigde stekkers en overeenkomende stopcontacten verkleinen het risico op elektrische schokken.
- **Vermijd lichamelijke contact met geaarde oppervlakken, zoals buizen, radiatoren, fornuizen en koelkasten.** Er is een verhoogd risico op elektrische schokken als uw lichaam geaard is.
- **Stel elektrische gereedschappen niet bloot aan regen of vochtige omstandigheden.** Water dat in elektrisch gereedschap binnendringt, verhoogt het risico op elektrische schokken.
- **Gebruik de kabel niet voor oneigenlijke doeleinden. Gebruik de kabel nooit om het elektrische apparaat te dragen, het mee te slepen of om de stekker uit het stopcontact te trekken. Houd de kabel uit de buurt van warmte, olie, scherpe randen en bewegende onderdelen.** Beschadigde of in de knoop geraakte kabels verhogen het risico op elektrische schokken.
- **Gebruik een verlengkabel die geschikt is voor gebruik buitenshuis wanneer u buiten werkt met elektrisch gereedschap.** Het gebruik van een kabel die geschikt is voor gebruik buitenshuis, vermindert het risico op elektrische schokken.
- **Als gebruik van een elektrisch apparaat in een vochtige omgeving onvermijdelijk is, gebruik dan een netvoeding met reststroombescherming (RCD).** Het gebruik van een aardlekschakelaar vermindert het risico op elektrische schokken.

Persoonlijke veiligheid

- **Wees altijd alert, kijk wat u doet en gebruik uw gezonde verstand wanneer u elektrisch gereedschap gebruikt. Gebruik elektrisch gereedschap niet als u moe bent of onder invloed bent van drugs, alcohol of medicijnen.** Een moment van onoplettendheid tijdens het gebruik van elektrisch apparaat kan leiden tot ernstig persoonlijk letsel.
- **Maak altijd gebruik van persoonlijke beschermingsmiddelen. Draag altijd oogbescherming.** Beschermingsmiddelen zoals een stofmasker, veiligheidsschoenen met antislipprofiel, een veiligheidshelm of gehoorbescherming in relevante werkomstandigheden beperken letsel.
- **Voorkom een onbedoelde start. Zorg ervoor dat de schakelaar in de uit-positie staat voordat u het gereedschap aansluit op een spanningsbron en/of accu, oppakt of draagt.** Het dragen van elektrische apparaten met uw vinger op de schakelaar of het onder spanning zetten van elektrische apparaten waarvan de schakelaar op aan staat, kan makkelijk leiden tot ongelukken.
- **Verwijder eventuele (instel)sleutels voordat u het elektrisch gereedschap inschakelt.** Een sleutel die is bevestigd aan een draaiend onderdeel van het

elektrische gereedschap kan persoonlijk letsel tot gevolg hebben.

- **Voorkom overstrekken. Zorg dat u te allen tijde stevig en in balans staat.** Hierdoor heeft u een betere controle over het apparaat in onverwachte situaties.
- **Draag geschikte kleding. Draag geen losse kleding of sieraden. Houd uw haar en kleding uit de buurt van bewegende onderdelen.** Losse kleding, sieraden of lang haar kunnen verstrikt raken in bewegende onderdelen.
- **Als de mogelijkheid bestaat voor het opvangen van stof moet u ervoor zorgen dat deze is aangesloten en op de juiste wijze wordt gebruikt.** Het gebruik van stofopvang kan stofgerelateerde gevaren beperken.
- **Laat de betrouwbaarheid met de door u gebruikte apparaten door het frequente gebruik ervan niet toe leiden dat u de veiligheidsprincipes negeert.** Een onzorgvuldige handeling kan binnen een fractie van een seconde leiden tot ernstig letsel.
- **De trillingsemisatie tijdens het feitelijke gebruik van de machine kan afwijken van de opgegeven totaalwaarde en is afhankelijk van de manier waarop het gereedschap wordt gebruikt.** Om zichzelf te beschermen, moeten gebruikers de nodige veiligheidsmaatregelen nemen op basis van een schatting van de blootstelling in de feitelijke gebruiksomstandigheden. Hierbij moet rekening worden gehouden met alle elementen van de bedrijfscyclus, dus niet alleen de tijd dat het gereedschap actief wordt gebruikt, maar ook de tijd dat het gereedschap is uitgeschakeld of stationair draait.

Gebruik en verzorging van elektrische apparaten

- **Gebruik elektrisch gereedschap niet voor taken waarvoor het niet geschikt is. Gebruik het juiste elektrische apparaat voor uw toepassing.** Met het juiste elektrische apparaat kunt u de taak beter en veiliger uitvoeren met de snelheid waarvoor het is ontworpen.
- **Gebruik het elektrisch gereedschap niet als de aan/uitschakelaar niet werkt.** Elektrische apparaten die niet bediend kunnen worden met de schakelaar zijn gevaarlijk en moeten gerepareerd worden.
- **Haal de stekker uit het stopcontact en/of verwijder het accupack (indien verwijderbaar) van het elektrische gereedschap voordat u aanpassingen maakt, accessoires verwisselt of het elektrische gereedschap opbergt.** Deze voorzorgsmaatregelen verkleinen het risico op het per ongeluk starten van het elektrische apparaat.
- **Berg elektrisch gereedschap dat u niet nodig hebt op buiten het bereik van kinderen en laat personen die onbekend zijn met het elektrisch gereedschap of deze instructies niet werken met het elektrisch gereedschap.** Elektrische apparaten zijn gevaarlijk in handen van ongetrainde gebruikers.

- **Zorg voor een deugdelijk onderhoud van elektrische gereedschappen en accessoires. Controleer op onjuiste montage of vastlopen van bewegende delen, gebroken onderdelen en andere condities die de werking van het elektrische gereedschap kunnen beïnvloeden. Als het elektrische apparaat beschadigd is, moet u het laten repareren voordat u het gebruikt.** Veel ongelukken worden veroorzaakt door slecht onderhouden elektrische apparaten.
- **Houd snijgereedschappen scherp en schoon.** Goed onderhouden snijgereedschappen met scherpe snijranden zullen minder gauw vastlopen en zijn eenvoudiger onder controle te houden.
- **Gebruik het elektrisch gereedschap, de accessoires, gereedschapsbits en dergelijke in overeenstemming met deze instructies en houd hierbij rekening met de werkomstandigheden en het type klus dat moet worden uitgevoerd.** Als u het elektrische apparaat voor andere toepassingen gebruikt dan waarvoor het is bedoeld, kan er een gevaarlijke situatie ontstaan.
- **Houd de handgrepen en grijppoppervlakken droog, schoon en vrij van olie en vet.** Als handgrepen en grijppoppervlakken glad zijn, zorg dat ervoor zorgen dat het gereedschap in onverwachte situaties niet veilig kan worden gehanteerd en bediend.

Gebruik en onderhoud van gereedschap met accu

- **Laad het gereedschap alleen op met de lader die door de fabrikant is gespecificeerd.** Een lader die voor een bepaald type accu geschikt is, kan een risico op brand creëren als de lader met een andere accu wordt gebruikt.
- **Gebruik producten enkel met de specifiek hiervoor bedoelde accupacks.** Als er andere accupacks worden gebruikt, bestaat er risico op letsel en brand.
- **Als het accupack niet gebruikt wordt, houd hem dan uit de buurt van andere metalen voorwerpen, zoals paperclips, munten, sleutels, spijkers, schroeven of andere kleine metalen voorwerpen die een verbinding tussen de twee klemmen kunnen maken.** Als er kortsluiting tussen de accuaansluitingen ontstaat, kunnen er brandwonden of brand ontstaan.
- **Als het accupack verkeerd wordt gebruikt, kan er vloeistof uit de accu komen; zorg dat u deze niet aanraakt. Als u per ongeluk in contact komt met de vloeistof, afspoelen met water. Als er vloeistof in de ogen komt dient u medische hulp in te roepen.** Vloeistof die uit accu's loopt, kan irritatie of brandwonden veroorzaken.
- **Gebruik geen accupack of product dat beschadigd of gewijzigd is.** Beschadigde of aangepaste accu's kunnen onvoorspelbaar gedrag vertonen, wat kan leiden tot brand, explosies of letsel.
- **Stel het accupack of product niet bloot aan vuur of hoge temperaturen.** Blootstelling aan vuur of temperaturen hoger dan 130 °C kan een explosie veroorzaken.
- **Volg alle oplaadinstructies op en laad de accu of het product niet op bij temperaturen die buiten**

het in de instructies gespecificeerde bereik vallen.

Door onjuist opladen of opladen bij temperaturen die buiten het gespecificeerde bereik liggen, kan de accu beschadigd raken en neemt het risico op brand toe.

Service

- **Laat uw elektrische apparaat repareren door een gekwalificeerde monteur en gebruik uitsluitend identieke vervangingsonderdelen.** Dit zorgt ervoor dat de veiligheid van het elektrisch gereedschap wordt gehandhaafd.
- **Voer nooit onderhoud uit aan beschadigde accupacks.** Onderhoud aan accupacks mag alleen worden uitgevoerd door de fabrikant of geautoriseerde dienstverleners.

Gebruik altijd uw gezond verstand

Het is niet mogelijk om elke mogelijke situatie te vermelden. Wees altijd voorzichtig en gebruik uw gezond verstand. Vermijd situaties die uw capaciteiten te boven gaan. Als u na het lezen van deze instructies nog vragen hebt over de bedieningsprocedures dient u een expert te raadplegen voordat u verder gaat.



WAARSCHUWING: Sta nooit toe

dat kinderen de machine gebruiken of in de buurt van de machine komen. De machine start gemakkelijk, zodat kinderen deze mogelijk kunnen starten wanneer ze niet onder volledig toezicht staan. In dat geval kan er een risico op ernstig persoonlijk letsel bestaan. Koppel de accu daarom los wanneer de machine niet onder streng toezicht staat.

Algemene veiligheidsinstructies



WAARSCHUWING: Lees de volgende waarschuwingen voordat u het product gaat gebruiken.

- Verwijder de accu om onbedoeld starten van de machine te voorkomen.
- Dit product kan bij onvoorzichtig of onjuist gebruik een gevaarlijk gereedschap zijn. Dit product kan ernstig of fataal letsel toebrengen aan de gebruiker of anderen.
- Gebruik het product niet als de oorspronkelijke specificatie is gewijzigd. Vervang geen onderdelen van het product zonder toestemming van de fabrikant. Gebruik alleen onderdelen die zijn goedgekeurd door de fabrikant. Onjuist onderhoud kan leiden tot letsel of de dood.
- Controleer het product vóór gebruik. Zie *Controle voor het starten op pagina 311* en *Voordat u het product gaat bedienen op pagina 319*. Gebruik geen product dat is beschadigd of niet correct werkt. Voer de in deze handleiding beschreven

veiligheidscontroles en de onderhouds- en service-instructies uit.

- Kinderen moeten onder toezicht worden gehouden om er zeker van te zijn dat ze niet met het product spelen. Laat het product nooit gebruiken door kinderen of andere personen die niet zijn opgeleid voor het gebruik of onderhoud van het product en/of de accu. De minimumleeftijd van de gebruiker kan zijn vastgelegd in plaatselijke voorschriften.
- Bewaar het product in een afgesloten ruimte om toegang door kinderen of onbevoegde personen te verhinderen.
- Bewaar het product buiten het bereik van kinderen.
- De oorspronkelijke vormgeving van het product mag in geen enkel geval worden gewijzigd zonder toestemming van de fabrikant. Gebruik altijd originele accessoires. Niet goedgekeurde wijzigingen en/of niet-originele onderdelen kunnen tot ernstig persoonlijk letsel of de dood van zowel gebruiker als omstanders leiden.

Let op: Landelijke of lokale wettelijke voorschriften kunnen van toepassing zijn op het gebruik. Volg de eventuele voorschriften op.

Veiligheidsinstructies voor bediening



WAARSCHUWING: Lees de volgende waarschuwingen voordat u het product gaat gebruiken.

- **Gebruik de machine niet bij slechte weersomstandigheden, vooral wanneer er een risico bestaat van blikseminslag.** Zo verkleint u het gevaar dat u geraakt wordt door de bliksem.
 - **Inspecteer het gebied waar de machine wordt gebruikt zorgvuldig op de aanwezigheid van dieren.** Dieren kunnen gewond raken wanneer u in hun nabijheid de machine gebruikt.
 - **Onderwerp het gebied waar de machine gebruikt gaat worden aan een grondige inspectie en verwijder alle stenen, stokken, draden, beenderen, en andere voorwerpen.** Weggeslingerde objecten kunnen persoonlijk letsel veroorzaken.
 - **Voer voorafgaand aan gebruik altijd een visuele inspectie uit van de maaier om te controleren of de maaier en de maaikop niet zijn beschadigd.** Beschadigde onderdelen verhogen het risico op letsel.
 - **Houd beschermkappen op hun plaats. Beschermkappen moeten in goede staat en correct gemonteerd zijn.** Een beschermkap die los zit, beschadigd is of niet goed functioneert, kan leiden tot persoonlijk letsel.
 - **Houd alle koelluchtinlaten vrij van vuil.** Geblokeerde luchtinlaten en vuil kunnen leiden tot oververhitting of brandgevaar.
- **Draag oog- en gehoorbescherming.** Als u een geschikte beschermingsuitrusting draagt, neemt de kans op persoonlijk letsel af.
 - **Draag tijdens het gebruik van de machine altijd beschermend schoeisel met antislipzool. Gebruik de machine niet op blote voeten of terwijl u open sandalen draagt.** Dit vermindert de kans op letsel aan de voeten door contact met de bewegende maaier.
 - **Draag tijdens het gebruik van de machine altijd een broek, waarvan de pijpen uw benen over de volledige lengte bedekken..** Contact met de bewegende maaier of maaidraad kan letsel veroorzaken.
 - **Houd omstanders uit de buurt tijdens het gebruik van de machine.** Weggeslingerd afval kan leiden tot ernstig persoonlijk letsel.
 - **Gebruik de machine niet boven heuphoogte.** Zo voorkomt u onbedoeld contact met de maaier en houdt u de machine in onverwachte situaties beter onder controle.
 - **Wees voorzichtig bij het gebruik van de machine in nat gras. U dient uitsluitend te lopen, nooit te rennen.** Dit verkleint het risico op uitglijden en vallen, wat kan leiden tot persoonlijk letsel.
 - **Gebruik de machine niet op extreem steile hellingen.** Dit verkleint het risico van controleverlies, uitglijden en vallen, wat kan leiden tot persoonlijk letsel.
 - **Wees bij het werken op hellingen altijd zeker van uw grip, werk altijd dwars over het oppervlak van hellingen, nooit omhoog of omlaag en wees uiterst voorzichtig wanneer u van richting verandert.** Dit verkleint het risico op controleverlies, uitglijden en vallen, wat kan leiden tot persoonlijk letsel.
 - **Houd alle netsnoeren en kabels uit de buurt van het maai gebied.** Netsnoeren en kabels kunnen verborgen zijn in heggen of struiken en kunnen per ongeluk worden doorgesneden of beschadigd door de maaidraad.
 - **Houd alle lichaamsdelen uit de buurt van de bewegende maaier of maaidraad. Verwijder geen materiaal uit de machine totdat deze is losgekoppeld van de voedingsbron.** De bewegende maaier of maaidraad kan leiden tot ernstig persoonlijk letsel.
 - **Draag de machine van uw lichaam af en zorg ervoor dat deze uitgeschakeld is.** Op de juiste manier omgaan met de machine vermindert de kans op onbedoeld contact met de bewegende maaier of maaidraad.
 - **Gebruik alleen vervangende maai koppen of maaidraden die worden gespecificeerd door de fabrikant. Vervang de maai kop of maaidraad niet door messen of metalen draad.** Onjuiste vervangende onderdelen kunnen controleverlies, defecten en letsel veroorzaken.

Persoonlijke beschermingsuitrusting



WAARSCHUWING: Lees de volgende waarschuwingen voordat u het product gaat gebruiken.

- Draag tijdens het gebruik van het product altijd goedgekeurde persoonlijke beschermingsuitrusting. Persoonlijke beschermingsuitrusting kunnen niet alle risico's uitsluiten maar kunnen de ernst van eventueel letsel helpen beperken. Vraag uw dealer u te helpen bij het kiezen van de juiste uitrusting.
- Gebruik goedgekeurde gehoorbescherming.

(Fig. 21)

- Gebruik goedgekeurde oogbescherming. Als u een vizier gebruikt, moet u ook een goedgekeurde veiligheidsbril gebruiken. Een goedgekeurde veiligheidsbril moet voldoen aan de norm ANSI Z87.1 voor de VS of EN 166 voor de EU-landen.

(Fig. 22)

- Draag indien nodig handschoenen, bijvoorbeeld bij het monteren, inspecteren of reinigen van de snijuitrusting.

(Fig. 23)

- Gebruik beschermende laarzen met stalen neuzen en antislipzolen.

(Fig. 24)

- Gebruik kleding van stevige stof. Gebruik altijd een zware lange broek en lange mouwen. Gebruik geen loszittende kleding die gemakkelijk kan blijven haken aan takjes en struikgewas. Gebruik geen sieraden, korte broeken of sandalen. Werk nooit met blote voeten. Bind voor de veiligheid lang haar samen tot boven schouderhoogte.
- Houd de EHBO-does in de buurt.

(Fig. 25)

Veiligheidsvoorzieningen op het product



WAARSCHUWING: Lees de volgende waarschuwingen voordat u het product gaat gebruiken.

In dit hoofdstuk worden de veiligheidsvoorzieningen van het product beschreven, welke functie ze hebben en hoe controles en onderhoud moeten worden uitgevoerd om hun goede werking te waarborgen. Zie de instructies in het hoofdstuk *Inleiding op pagina 309* om te zien waar deze onderdelen zich bevinden op uw product.

De levensduur van het product kan worden verkort en het risico op ongevallen kan toenemen wanneer het onderhoud van het product niet op de juiste manier plaatsvindt en wanneer service en/of reparaties niet vakkundig worden uitgevoerd. Indien u meer informatie nodig hebt, verzoeken wij u contact op te nemen met de dichtstbijzijnde onderhoudsdealer.



WAARSCHUWING: Gebruik een product nooit wanneer de veiligheidsvoorzieningen beschadigd zijn. De veiligheidsuitrusting van het product moet geïnspecteerd en onderhouden worden zoals beschreven in dit hoofdstuk. Als uw product een van deze controles niet doorstaat, moet u contact opnemen met uw servicewerkplaats om uw unit te laten repareren.



OPGELET: Om service en reparaties aan de machine uit te voeren, moet u een speciale opleiding hebben. Dit geldt met name voor de veiligheidsuitrusting van de machine. Als uw machine een van de volgende controles niet goed doorstaat, moet u ermee naar uw servicewerkplaats gaan. Als u één van onze producten koopt, garanderen wij de beschikbaarheid van professionele reparaties en onderhoud. Als u uw machine hebt gekocht bij één van onze dealers die geen servicewerkplaats heeft, vraag dan waar de dichtstbijzijnde erkende werkplaats is.

De gebruikersinterface controleren

De groene leds (A) geven de accustatus aan als het product ingeschakeld, maar niet in bedrijf is.

1. Houd de ON/OFF-knop (B) ingedrukt. (Fig. 26)
 - a) Het product is ingeschakeld wanneer de groene leds (A) branden.
 - b) Het product is uitgeschakeld wanneer de groene leds (A) uit zijn.
2. Zie *Probleemoplossing op pagina 322* als het waarschuwinglampje (C) brandt of knippert.

De vergrendeling van de activeringsschakelaar controleren

De vergrendeling van de activeringsschakelaar voorkomt dat het product per ongeluk wordt gestart. Wanneer u de vergrendeling (A) van de activeringsschakelaar indrukt, wordt de activeringsschakelaar (B) vrijgegeven. Als u de handgreep loslaat, bewegen de activeringsschakelaar en de vergrendeling weer terug naar hun beginposities. (Fig. 27)

1. Controleer of de activeringsschakelaar is vergrendeld wanneer de beveiliging van de activeringsschakelaar in de beginpositie staat.

(Fig. 28)

2. Druk op de activeringsschakelaar en controleer of deze terugkeert naar de oorspronkelijke stand wanneer u deze loslaat.

(Fig. 29)

3. Zorg ervoor dat de activeringsschakelaar en de vergrendeling vrij kunnen bewegen en dat de retourveer juist werkt.

(Fig. 30)

4. Start het product. Zie *Product starten op pagina 320*.
5. Laat de activeringsschakelaar los en zorg ervoor dat de snijuitrusting volledig stopt.

Beschermkap van de snijuitrusting controleren



WAARSCHUWING: Gebruik geen snijuitrusting zonder een goedgekeurde en correct bevestigde beschermkap. Gebruik altijd de voorgeschreven beschermkap voor de snijuitrusting die u gebruikt, zie *Technische gegevens op pagina 324*. Indien een verkeerde of defecte beschermkap voor de snijuitrusting wordt gemonteerd, kan dit ernstig lichamelijk letsel veroorzaken.

De beschermkap van de snijuitrusting houdt objecten tegen die in de richting van de gebruiker kunnen vliegen. De beschermkap voor de snijuitrusting voorkomt ook letsel dat veroorzaakt wordt als u met de snijuitrusting in contact komt.

1. Stop de motor.
2. Voer een visuele controle uit op beschadigingen, bijvoorbeeld scheuren.
3. Vervang de beschermkap van de snijuitrusting als deze is beschadigd.

Snijuitrusting

Gebruik de juiste snijuitrusting en voer onderhoud uit aan de snijuitrusting voor:

- Optimale snijprestaties.
- Een verlengde levensduur van de snijuitrusting.



WAARSCHUWING: Gebruik een snijuitrusting alleen samen met de door ons aanbevolen beschermkappen! Zie *Technische gegevens op pagina 324*. Zie de instructies voor de snijuitrusting voor het correct invoeren van de draad en de keuze van de juiste diameter voor de trimmerdraad.



WAARSCHUWING: Het gebruik van defecte snijuitrusting kan het risico op ongevallen vergroten.

Trimmerkop



WAARSCHUWING: Zorg er altijd voor dat de trimmerdraad strak en gelijkmatig rond de trommel is gewikkeld om schadelijke trillingen te voorkomen.

(Fig. 31)

- Gebruik alleen aanbevolen trimmerkoppen en trimmerdraden.
- Gebruik alleen de aanbevolen snijuitrusting.
- Kleinere machine hebben over het algemeen kleine trimmerkoppen nodig en omgekeerd.
- De lengte van de trimmerdraad is belangrijk. Een langere draad vereist een groter motorvermogen dan een korte, ook al is de diameter van de draad even groot.
- Zorg ervoor dat het mes dat op de trimmerbeschermkap zit, niet beschadigd is. Hiermee wordt de trimmerdraad op de juiste lengte gesneden.
- Om de levensduur van de trimmerdraad te verlengen, kunt u deze een paar dagen in water weken voorafgaand aan gebruik.

Veiligheid bij accu's



WAARSCHUWING: Lees alle veiligheidswaarschuwingen en algemene instructies. Het niet opvolgen van de veiligheidswaarschuwingen en algemene instructies kan leiden tot elektrische schokken, brand en/of ernstig letsel. **Bewaar alle veiligheidsinformatie en algemene instructies om later te kunnen raadplegen.**

- **Deze veiligheidsinstructies zijn alleen van toepassing op oplaadbare 18V-Li-ion accu's voor het POWER FOR ALL-systeem.**
- **Gebruik de oplaadbare accu alleen in producten van POWER FOR ALL-systeempartners.** 18V oplaadbare accu's die gemarkeerd zijn met POWER FOR ALL zijn volledig compatibel met de volgende producten:
 - Alle producten van het 18V-POWER FOR ALL-accusysteem.
 - Alle 18V-producten van POWER FOR ALL-systeempartners.
- **Neem de accu-aanbevelingen in de gebruiksaanwijzing van uw product in acht.** Alleen op deze manier kunnen de oplaadbare accu en het product zonder gevaar worden gebruikt en worden

de oplaadbare accu's beschermd tegen gevaarlijke overbelasting.

- **Laad de accu's alleen op met laders die worden aanbevolen door de fabrikant of door POWER FOR ALL-systeempartners.** Een lader die geschikt is voor het ene type accu, kan brandgevaar veroorzaken als hij gebruikt wordt met een andere accu.
- **De accu wordt gedeeltelijk geladen geleverd.** Om de volledige capaciteit van de accu te kunnen benutten, moet u de accu volledig opladen in de acculader, voordat u het elektrische gereedschap voor de eerste keer gebruikt.
- **Houd accupacks uit de buurt van kinderen.**
- **Open de accu niet.** Er bestaat gevaar voor kortsluiting.
- **In geval van beschadiging en verkeerd gebruik van de accu kunnen dampen vrijkomen. De accu kan in brand vliegen of exploderen.** Zorg ervoor dat de ruimte goed is geventileerd en roep medische hulp in als u nadelige gevolgen ervaart. De dampen kunnen de luchtwegen irriteren.
- **Bij verkeerd gebruik of als de accu beschadigd is, kan brandbare vloeistof uit de accu lopen. Contact met deze vloeistof moet vermeden worden. Als u per ongeluk in contact komt met de vloeistof, afspoelen met water. Als de vloeistof in contact met uw ogen komt, moet u medische hulp inroepen.** Vloeistof die uit de accu komt kan irritatie of brandwonden veroorzaken.
- **Als de accu beschadigd is kan vloeistof vrijkomen en naastgelegene oppervlakken bedekken. Controleer betreffende onderdelen.** Reinig deze onderdelen of vervang ze indien nodig.
- **Sluit het accupack niet kort. Als het accupack niet gebruikt wordt, houd hem dan uit de buurt van andere metalen voorwerpen, zoals paperclips, munten, sleutels, spijkers, schroeven of andere kleine metalen voorwerpen die een verbinding tussen de twee klemmen kunnen maken.** Als er kortsluiting tussen de accuaansluitingen ontstaat, kunnen er brandwonden of brand ontstaan.
- **De accu kan beschadigd raken door puntige voorwerpen zoals spijkers of schroevendraaiers of door externe kracht aan te brengen.** Er kan interne kortsluiting ontstaan, waardoor de accu in brand kan raken, kan gaan roken, kan exploderen of oververhit kan raken.
- **Voer nooit onderhoud uit aan beschadigde accupacks.** Onderhoud aan accupacks mag alleen worden uitgevoerd door de fabrikant of geautoriseerde dienstverleners.
- **Bescherm de accu tegen hitte, bijv. tegen continu intens zonlicht, vuur, vuil, water en vocht.** Er bestaat gevaar voor explosie en kortsluiting.
- **Gebruik de accu in het product enkel bij omgevingstemperaturen tussen -5 °C — 40 °C.**
- **Bewaar de accu alleen in omgevingstemperaturen tussen -20 °C — 50 °C.** U mag de accu bijvoorbeeld niet in uw auto achterlaten als het zomer is. Bij

temperaturen van < 0 °C kan bij sommige apparaten vermogensverlies optreden.

- **Laad de accu alleen op in een omgevingstemperatuur tussen 0 °C — 35 °C.** Opladen buiten dit temperatuurbereik kan het risico op schade aan de accu vergroten en brandgevaar opleveren.

Veiligheidsvoorschriften voor acculader



WAARSCHUWING: Lees alle veiligheidswaarschuwingen en algemene instructies. Het niet opvolgen van de veiligheidswaarschuwingen en algemene instructies kan leiden tot elektrische schokken, brand en/of ernstig letsel. **Bewaar deze gebruiksaanwijzing op een veilige plaats.** Gebruik de lader alleen als u alle functies volledig kunt evalueren en zonder beperkingen kunt uitvoeren of als u overeenkomstige instructies heeft ontvangen.

- **Houd toezicht op kinderen tijdens gebruik, reiniging en onderhoud.** Dit zorgt ervoor dat kinderen niet met de lader spelen.
- **Laad alleen lithium-ion accu's van het POWER FOR ALL systeem 18V met een capaciteit van 1,5 Ah of meer (5 accu-cellen of meer). De accuspanning moet overeenkomen met de acculaadspanning van de lader. Laad geen niet-oplaadbare batterijen op.** Anders bestaat er gevaar voor brand of explosie.
- **Stel de oplader niet bloot aan regen of natte omstandigheden.** Water dat in elektrisch gereedschap binnendringt, verhoogt het risico op elektrische schokken.
- **Houd de lader schoon.** Vuil vormt een gevaar voor elektrische schok.
- **Controleer de lader, kabel en stekker altijd voorafgaand aan het gebruik. Stop met het gebruik van de lader als u schade vaststelt. Open de lader niet zelf en laat deze repareren door een gekwalificeerde specialist die alleen originele reserveonderdelen gebruikt.** Beschadigde laders, kabels en stekkers verhogen het risico op elektrische schokken.
- **Gebruik de lader niet op een licht ontvlambaar oppervlak (bijv papier, textiel, etc.) of in een ontvlambare omgeving.** Er is gevaar voor brand omdat de lader opwarmt tijdens het bedrijf.
- **Laad het gereedschap alleen op met de lader die door de fabrikant is gespecificeerd.** Een lader die voor een bepaald type accu geschikt is, kan een risico op brand creëren als de lader met een andere accu wordt gebruikt.
- **In geval van beschadiging en verkeerd gebruik van de accu kunnen ook dampen vrijkomen.** Zorg ervoor dat de ruimte goed is geventileerd en roep medische hulp in als u nadelige gevolgen ervaart. De dampen kunnen de luchtwegen irriteren.

- **Als de accu op de verkeerde manier wordt gebruikt, kan er vloeistof uit de accu lopen. Contact met deze vloeistof moet vermeden worden. Als u per ongeluk in contact komt met de vloeistof, afspoelen met water. Als de vloeistof in contact met uw ogen komt, moet u medische hulp inroepen.** Vloeistof die uit de accu komt kan irritatie of brandwonden veroorzaken.
- **Bedek de ventilatiesleuven van de lader niet.** Anders kan de lader oververhit raken en niet langer correct werken.
- **Om veiligheidsgevaaren te voorkomen, moet de voedingskabel worden vervangen. Dit moet worden uitgevoerd door Husqvarna of een klantenservicecentrum dat bevoegd is om elektrisch gereedschap van Husqvarna te repareren.**
- **Producten die alleen in VK worden verkocht:**
Uw product is uitgerust met een BS 1363/A goedgekeurde elektrische stekker met interne zekering (ASTA goedgekeurd voor BS 1362). Als de stekker niet geschikt is voor uw stopcontacten, moet deze worden afgesneden en moet een geschikte stekker worden aangebracht door een geautoriseerde servicewerkplaats. De vervangende stekker moet dezelfde zekeringswaarde als de originele stekker hebben. De afgesneden stekker moet worden afgevoerd om mogelijk gevaar voor elektrische schokken te voorkomen en mag nooit elders in een stopcontact worden gestoken.



WAARSCHUWING: Hartstilstand!

Dit product genereert tijdens bedrijf een elektromagnetisch veld. Dit veld kan onder bepaalde omstandigheden de werking van actieve of passieve medische implantaten verstoren. Om het risico op ernstig of dodelijk letsel te beperken, raden we personen met een medisch implantaat aan om contact op te nemen met hun arts en

de fabrikant van het medische implantaat voordat ze dit product gaan bedienen.



WAARSCHUWING:

Verstikkingsgevaar! Kleine onderdelen kunnen eenvoudig worden ingeslikt. De polyzak vormt ook verstikkingsgevaar voor kinderen. Houd kinderen uit de buurt tijdens de montage van het product.

Veiligheidsinstructies voor onderhoud



WAARSCHUWING: Lees de volgende waarschuwingen voordat u onderhoud aan het product gaat uitvoeren.

- Verwijder de accu voordat u onderhoud of andere controles uitvoert, of het product demonteert.
- De gebruiker mag alleen de onderhouds- en servicewerkzaamheden uitvoeren die in deze bedieningshandleiding zijn beschreven. Ga naar uw servicedealer voor verdergaande service- of onderhoudswerkzaamheden.
- Reinig de accu of acculader nooit met water. Sterke reinigingsmiddelen kunnen schade aan het kunststof veroorzaken.
- Als u geen onderhoud uitvoert, verkort dit de levenscyclus van het product en vergroot het risico op ongevallen.
- Voor alle service en reparaties is speciale training vereist, vooral voor de veiligheidsvoorzieningen op het product. Als niet alle controles in deze bedieningshandleiding een goed resultaat geven nadat u onderhoud hebt uitgevoerd, ga dan naar uw servicedealer. Wij garanderen dat u daar professionele reparaties en service voor uw product krijgt.
- Gebruik alleen originele reserveonderdelen.

Montage

Inleiding



WAARSCHUWING: Zorg dat u het hoofdstuk over veiligheid hebt gelezen en begrepen voordat u het apparaat monteert.

De trimmerbeschermkap bevestigen

1. Plaats de trimmerbeschermkap tegen de wielmotorkast. (Fig. 32)
2. Breng de 2 bouten aan door de wielmotorkast en de trimmerbeschermkap. (Fig. 33)
3. Draai de bouten vast.

De trimmerkop monteren

1. Draai aan de uitgaande as totdat het gat in de meenemer op één lijn ligt met de opening in het tandwielhuis.
2. Breng de combinatietang aan in de opening om de steel te vergrendelen.
3. Draai de trimmerkop rechtsom. (Fig. 34)

De plantbeschermer installeren

1. Installeer de plantbeschermer in de gaten op de wielmotorkast. (Fig. 35)
2. Controleer of de plantbeschermer vrij naar voren en naar achteren kan bewegen. (Fig. 36)

De haak aan de wand bevestigen

- Bevestig de haak binnenshuis.
- Houd de haak buiten bereik van zonlicht en in een omgevingstemperatuur van -10°C tot 70°C.
- Bevestig de haak aan op een gipswand, houten wand of betonwand.



OPGELET: Zorg ervoor dat de muur een belasting van minimaal 30 kg kan dragen.

- Bevestig de haak met de 3 schroeven (A) aan de wand. Gebruik wandpluggen (B) indien nodig. (Fig. 37)



OPGELET: Zorg ervoor dat de schroeven geschikt zijn voor uw type wand.

- Neem contact op met uw Husqvarna-servicewerkplaats voor informatie over de beschikbare accessoires voor opslag van uw product.

Werking

Inleiding



WAARSCHUWING: Zorg dat u het hoofdstuk over veiligheid hebt gelezen en begrepen voordat u het product gebruikt.

Voordat u het product gaat bedienen

- Bekijk het werkgebied zodat u weet welk type terrein het is. Bekijk de helling van de ondergrond en of er obstakels zijn zoals stenen, takken en greppels.
- Voer een algemene inspectie van het product uit.
- Voer de veiligheidsinspecties, onderhoud en servicebeurten uit die in deze handleiding worden aangegeven.
- Controleer de motor op vuil en barsten. Gebruik een borstel om gras en bladeren van de motor te verwijderen. Gebruik indien nodig handschoenen.
- Controleer de trimmerkop en de beschermkap voor de snijuitrusting op beschadigingen of scheuren. Vervang de trimmerkop en de beschermkap voor de snijuitrusting als ze geraakt zijn of scheuren hebben.
- Controleer of alle moeren en schroeven goed zijn vastgedraaid.
- Zorg voordat u het product start dat alle afschermingen en beschermkappen, handgrepen en de snijuitrusting correct zijn aangebracht en onbeschadigd zijn.

Accu



WAARSCHUWING: Voordat u het product gebruikt, dient u het hoofdstuk over veiligheid te lezen en hebben begrepen. Zorg er ook voor dat u de bedieningshandleiding bij de accu en de acculader hebt gelezen en begrepen.

Houd de accu en de acculader in de correcte omgevingstemperaturen.

	Omgevingstemperatuur
De accu in het product gebruiken	-5 °C — 40 °C
Accu laden	0 °C — 35 °C

De accu opladen

Laad de accu voor het eerste gebruik op.

Let op: De accu wordt niet opgeladen als de temperatuur van de accu hoger is dan +35 °C.

1. Sluit de voedingskabel voor de acculader aan op een geaard stroomnet.



OPGELET: Controleer of het stroomnet de juiste spanning en frequentie heeft.

2. Plaats de accu in de acculader. De accu is aangesloten op de acculader als de groene led knippert. (Fig. 38)
3. De accu is volledig opgeladen als de groene led op de acculader is ingeschakeld. Laad de accu max. 24 uur op.
4. Koppel de acculader los van het stroomnet.



OPGELET: Trek niet aan de voedingskabel.

5. Haal de accu uit de acculader.

Accustatus-led op de acculader

De rode led (A) en de groene led (B) op de acculader geven de accustatus aan. Zie *Accustatus-led op het product op pagina 320*.

(Fig. 39)

Led	Accustatus
De groene led knippert snel.	De accu wordt opgeladen.
De groene led knippert langzaam.	De accu is 80% opgeladen.
De groene led is ingeschakeld.	De accu is volledig opgeladen.
De rode led brandt.	Zie <i>Accustatus-led op het product op pagina 320.</i>
De rode led knippert snel.	Zie <i>Accustatus-led op het product op pagina 320.</i>

Accustatus-led op het product

Als de accu in het product is geïnstalleerd, geven de leds op het product de accustatus aan.

(Fig. 40)

Led	Accustatus
Led 1, 2 en 3 branden.	Volledig opgeladen.
Led 1 en 2 branden.	Voldoende opgeladen
Led 1 brandt.	Het accuvermogen is laag.
Led 1 knippert.	De accu is leeg. Het accustatuslampje knippert. Laad de accu op. Zie <i>De accu opladen op pagina 319.</i>

De accu aansluiten op het product



WAARSCHUWING: Gebruik de accu alleen bij producten van het POWER FOR ALL systeem 18V.

- Zorg ervoor dat de accu volledig is opgeladen.
- Schuif de accu in de accuhouder van het product. De accu moet eenvoudig in de houder schuiven. Als dat niet zo is, dan is de accu niet goed aangebracht.

(Fig. 41)

- De accu is in positie vergrendeld als u een klik hoort.

Product starten

- Houd de ON/OFF-knop ingedrukt totdat de groene led gaat branden. (Fig. 42)
- Druk de vergrendeling van de activeringsschakelaar en de activeringsschakelaar in. De snijuitrusting begint te draaien.

De lusgreep en de telescopische as afstellen

- Druk op de afstelknop lusgreep.

(Fig. 43)

- Stel de lusgreep in een geschikte hoek af.
- Laat de afstelknop lusgreep los.
- Maak de hendel op de as los. (Fig. 44)
- Stel de as af op de gewenste lengte.
- Sluit de hendel en draai de schroef vast.

Let op: De twee lusgreepposities in de volgende afbeelding zijn alleen voor transport en/of opslag.

(Fig. 45)

Automatische uitschakelfunctie

Het product heeft een automatische uitschakelfunctie die het product stopt als het niet wordt gebruikt. Het product wordt uitgeschakeld na 3 minutes.

Het product gebruiken

Gras trimmen

- Houd de trimmerkop vlak boven de grond en schuin. Druk de trimmerdraad niet in het gras. (Fig. 46)
- Verkort de lengte van de trimmerdraad met 8-10 cm/ 3,15-4 inch.

Gras verwijderen

- Houd de trimmerkop boven de grond.
- Kantel de trimmerkop.
- Snijd met het uiteinde van de trimmerdraad rond objecten in het werkgebied.



OPGELET: Gras maaien. Andere objecten die worden getroffen door de trimmerdraad verhogen de slijtage van de trimmerdraad.

Gras maaien

- Zorg dat de trimmerdraad parallel loopt aan de grond wanneer u gaat maaien. (Fig. 47)
- Duw de trimmerkop niet op de grond. Dit kan schade aan het product veroorzaken.
- Beweeg het product van de ene naar de andere zijde wanneer u grasmaait. (Fig. 48)

Gras vegen

De luchtstroom van de roterende trimmerdraad kan worden gebruikt om maaisel uit een gebied te verwijderen.

1. Houd de trimmerkop met de trimmerdraad parallel aan de grond en boven de grond.
2. Beweeg de trimmerkop van de ene naar de andere kant en veeg het gras.



WAARSCHUWING: Reinig de kap van de trimmerkop altijd wanneer u een nieuwe trimmerdraad monteert, om onbalans en trillingen in de hendels te voorkomen. Controleer ook de andere onderdelen van de trimmerkop en reinig deze indien nodig.

Product stoppen

1. Laat de activeringsschakelaar en de vergrendeling van de activeringsschakelaar los.
2. Druk op de ON/OFF-knop totdat de groene led uit gaat.
3. Druk op de ontgrendelknop op de accu en verwijder de accu uit het product. (Fig. 49)

Trimmerdraad vervangen

Zie de laatste pagina van deze bedieningshandleiding.

Onderhoud

Inleiding



WAARSCHUWING: Zorg dat u het hoofdstuk over veiligheid hebt gelezen en begrepen voordat u onderhoud aan het product gaat uitvoeren.

Onderhoudsschema



WAARSCHUWING: Verwijder de accu voordat u onderhoud uitvoert.

Hieronder volgt een lijst van het onderhoud dat u aan het product moet uitvoeren. Zie *Onderhoud op pagina 321* voor meer informatie.

Onderhoud	Elke dag	Wekelijks	Maandelijks
Reinig de externe onderdelen van het product met een droge doek. Gebruik geen water.	X		
Controleer of de start/stop-knop correct werkt en niet beschadigd is.	X		
Controleer of de voedingsschakelaar en de vergrendeling van de voedingsschakelaar correct werken vanuit veiligheidsoogpunt.	X		
Controleer of alle bedieningselementen werken en niet zijn beschadigd.	X		
Houd de handgrepen droog, schoon en vrij van olie en vet.	X		
Controleer of de snijuitrusting niet beschadigd is. Vervang de snijuitrusting als deze is beschadigd.	X		
Controleer of de beschermkap voor snijuitrusting niet is beschadigd. Vervang de beschermkap van de snijuitrusting als deze is beschadigd.	X		
Controleer of de schroeven en moeren goed zijn vastgedraaid.	X		
Controleer of de ontgrendelknoppen op de accu werken en de accu in het product vergrendelen.	X		
Controleer of de acculader niet beschadigd is en goed functioneert.	X		
Controleer of de accu niet beschadigd is.	X		
Zorg ervoor dat de accu is opgeladen.	X		
Controleer of de acculader niet beschadigd is.	X		
Controleer alle kabels, koppelingen en aansluitingen. Zorg ervoor dat deze niet zijn beschadigd en vrij zijn van vuil.		X	

Onderhoud	Elke dag	Wekelijks	Maandelijks
Controleer de verbindingen tussen de accu en het product. Controleer de verbinding tussen de accu en de acculader.			X

Accu en acculader controleren

1. Controleer de accu op beschadigingen, bijvoorbeeld scheuren.
2. Controleer de acculader op beschadigingen, bijvoorbeeld scheuren.
3. Controleer of de aansluitkabel van de acculader niet beschadigd of gescheurd is.

2. Draai aan de uitgaande as totdat het gat in de meenemer op één lijn ligt met de opening in het tandwielhuis.
3. Breng de combinatietang aan in de opening om de steel te vergrendelen.
4. Draai de trimmerkop linksom.

(Fig. 50)

Product, accu en acculader reinigen

1. Reinig het product met een droge doek na gebruik.
2. Reinig de accu en acculader met een droge doek. Houd de accugeleiderails schoon.
3. Zorg ervoor dat de aansluitingen van de accu en de acculader schoon zijn voor dat de accu in de acculader of het product wordt geplaatst.

5. Vervang de trimmerkop.
6. Monteer de trimmerkop. Zie *De trimmerkop monteren op pagina 318*.

De trimmerkop controleren en vervangen

1. Controleer de trimmerkop op beschadiging en barsten.

Probleemoplossing

Gebruikersinterface

Probleem	Mogelijke fouten	Mogelijke oplossing
Groene start-led knippert.	Lage accuspanning.	Laad de accu op.
Rode fout-led knippert.	Overbelasting.	De snijuitrusting kan niet vrij bewegen. Maak de snijuitrusting vrij.
	Temperatuurafwijking.	Laat het product afkoelen.
	De activeringsschakelaar en de startknop worden tegelijkertijd ingedrukt.	Laat de activeringsschakelaar los en druk op de startknop.
Groene led en rode led knipperen afwisselend.	Accu is leeg.	Laad de accu op.
	Accu is beschadigd.	Neem contact op met uw servicedealer.

Acculader

Led op de acculader	Oorzaak	Oplossing
De groene led is ingeschakeld en de rode led knippert.	De accu is niet op de juiste wijze in de acculader geplaatst.	Verwijder de accu uit de lader en plaats de accu weer in de acculader.
	De accuconnectoren zijn vuil.	Maak de accuconnectoren schoon.
	De omgevingstemperatuur is te hoog of te laag.	Gebruik de acculader bij temperaturen tussen 0 °C - +35 °C.
	De accu is defect.	Vervang de accu.
De groene led en de rode led zijn uitgeschakeld.	De acculader is niet goed op het stopcontact aangesloten.	Sluit de acculader aan op een stopcontact.
	Defect stopcontact.	Sluit de acculader alleen aan als de spanning en frequentie overeenkomen met de specificaties op het productplaatje.
	De kabel van de acculader is defect.	Neem contact op met een erkende servicewerkplaats.
	De acculader is defect.	
Andere fouten.	Als er andere fouten optreden, schakelt u het product uit, verwijdert u de accu en neemt u contact op met een erkende servicewerkplaats.	

Vervoer, opslag en verwerking

Transport en opslag

- De meegeleverde Li-ion-accu's voldoen aan de wettelijke vereisten voor gevaarlijke goederen.
- Neem de bijzondere voorschriften op de verpakking en labels voor commercieel transport in acht. Dit geldt ook voor derden en expediteurs.
- Neem contact op met een persoon die gespecialiseerd is op het gebied van gevaarlijke stoffen voordat u het product verzendt. Neem alle van toepassing zijnde nationale voorschriften in acht.
- Breng tape aan op blootliggende aansluitingen wanneer u de accu in een pakket plaatst. Plaats de accu strak in het pakket om beweging te voorkomen.
- Verwijder de accu bij opslag of vervoer.
- Plaats de accu en de acculader in een droge, vocht- en vorstvrije ruimte.
- Bewaar de accu niet op plaatsen waar statische elektriciteit aanwezig is. Bewaar de accu niet in een metalen doos.
- Bewaar de accu op een plaats met een temperatuur tussen -20 °C en 50 °C en niet in direct zonlicht.
- Bewaar de acculader op een plaats met een temperatuur tussen 5 °C en 45 °C en niet in direct zonlicht.
- Bewaar het product op een plaats met een temperatuur tussen -40 °C en 60 °C.
- Gebruik de acculader alleen als de omgevingstemperatuur tussen 0 °C en 35 °C ligt.
- Laad de accu op tussen de 30% en 50% voorafgaand aan langdurige opslag.
- Berg de acculader op in een ruimte die afgesloten en droog is.
- Bewaar de accu niet in de buurt van de acculader. Laat kinderen en andere onbevoegde personen niet aan de apparatuur komen. Bewaar de apparatuur in een ruimte die u kunt afsluiten.
- Reinig het product en voer een volledige onderhoudsbeurt uit voordat u het product voor langere tijd opslaat.
- Gebruik de transportbescherming op het product om letsel bij personen of schade aan het product tijdens vervoer en opslag te voorkomen.
- Bevestig het product stevig tijdens vervoer.
- Houd het product horizontaal in opslag of hang het product op aan de meegeleverde haak. Raadpleeg *De haak aan de wand bevestigen op pagina 319.*

(Fig. 51)

Accu, acculader en product afvoeren

Het onderstaande symbool betekent dat het product geen huishoudelijk afval is. Lever het in bij een recyclepunt voor elektrische en elektronische

apparatuur. Dit voorkomt vervuiling van het milieu en letsel bij personen.

Neem contact op met de lokale autoriteiten, het afvalverwerkingsbedrijf of uw dealer voor meer informatie.

(Fig. 18)

Let op: Het symbool staat op het product of op de verpakking van het product.

Technische gegevens

Technische gegevens

	Aspire T28-P4A
Motor	
Motortype	PMDC
Toerental van uitgaande as, tpm	6800
Maaibreedte, mm	280
Gewicht	
Gewicht zonder accu, kg	2,6
Gewicht met accu (P4A 18-B45 / P4A 18-B70), kg	3,0 / 3,3
Geluidsemissies ⁴⁶	
Geluidsvermogeniveau, gemeten dB(A)	85
Geluidsvermogensniveau, gegarandeerd L _{WA} dB (A)	88
Geluidsniveaus ⁴⁷	
Equivalent geluidsdruk niveau bij het oor van de gebruiker, gemeten volgens EN ISO 50636-2-91, dB (A)	73
Trillingsniveau ⁴⁸	
Trillingsniveaus bij handgrepen, gemeten in overeenstemming met EN50636-2-91, m/s ²	2,26/1,61
Voorzien van trimmerkop (origineel), voor/achter.	

Accu	P4A 18-B45	P4A 18-B72
Type	Lithium-ion	Lithium-ion
Accucapaciteit, Ah	Raadpleeg het plaatje met de accugegevens	Raadpleeg het plaatje met de accugegevens
Nominale spanning, V	18	18

⁴⁶ Geluidsemissie naar de omgeving gemeten als geluidsvermogen (L_{WA}) volgens EG-richtlijn 2000/14/EG. Het verschil tussen gegarandeerd en gemeten geluidsvermogen is dat het gegarandeerde geluidsvermogen ook spreiding in het meetresultaat omvat en de verschillen tussen de verschillende machines van hetzelfde model conform Richtlijn 2000/14/EG.

⁴⁷ De gerapporteerde gegevens voor een vergelijkbaar geluidsdruk niveau voor de machine vertonen een typische statistische spreiding (standaardafwijking) van 3 dB(A).

⁴⁸ De gerapporteerde gegevens voor een trillingsniveau vertonen een typische statistische spreiding (standaardafwijking) van 1,5 m/s².

Accu	P4A 18-B45	P4A 18-B72
Gewicht, kg	0,4	0,7

Acculader	P4A 18-C70
Netspanning, V	220-240
Frequentie, Hz	50-60
Vermogen, W	70
Uitgangsspanning, V d.c./ Ampère, A	14,4-18 / 3

Accessoires

Goedgekeurde accessoires

Goedgekeurde accessoires	Type	Beschermkap voor de snijuitrusting, artikelnr.
Trimmerkop	A15B M6 (Ø 1,6 mm draad)	536 47 32-01

Verklaring van overeenstemming

EU-verklaring van overeenstemming

Wij, **Husqvarna AB**, SE-561 82 Huskvarna,
Zweden, tel: +46-36-146500, verklaren onder onze
alleenverantwoordelijkheid dat het product:

Beschrijving	Grastrimmer met accu
Merk	Husqvarna
Type / model	Aspire T28-P4A
Identificatie	Serienummers vanaf 2023 en verder

volledig voldoet aan de volgende EU-richtlijnen en
-regelgeving:

Richtlijn/Verordening	Beschrijving
2006/42/EG	"betreffende machines"
2014/30/EU	"betreffende elektromagnetische compatibiliteit"
2000/14/EG	"betreffende de geluidsemisies in het milieu"
2011/65/EU	"inzake beperking van het gebruik van bepaalde gevaarlijke stoffen in elektrische en elektro- nische apparatuur"

en dat de volgende normen en/of technische
specificaties zijn toegepast: EN 60335-1:2012/
A15:2021, EN 50636-2-91:2014, EN IEC 63000:2018,
EN IEC 55014-1:2021; EN IEC 55014-2:2021.

Aangemelde instantie: 0158 DEKRA Testing and
Certification GmbH, Handwerkstraße 15, 70565
Stuttgart, Germany , is gecertificeerd conform Richtlijn
2000/14/EG van de Raad, beoordelingsprocedure voor
conformiteit: Bijlage VI.

Voor informatie over geluidsemisie, zie *Technische
gegevens op pagina 324*.

Husqvarna, 2023-12-14



Claes Losdal, R&D Manager, Husqvarna AB
Verantwoordelijk voor technische documentatie



Vergunningen

Copyright © 2012–2020 STMicroelectronics

De garantie geldt niet voor defecten die het gevolg zijn van normale slijtage, onachtzaamheid, onjuist gebruik, onbevoegde reparatie of het aansluiten van het afzuigapparaat op een onjuiste spanning.

Alle rechten voorbehouden

Distributie en gebruik in bron- en binaire vormen, met of zonder aanpassing, zijn toegestaan mits aan de volgende voorwaarden is voldaan:

- Distributie van broncode moet de bovenstaande auteursrechtverklaring, de lijst met voorwaarden en de volgende disclaimer bevatten.
- Distributie in binaire vorm moet de bovenstaande auteursrechtverklaring, de lijst met voorwaarden en de volgende disclaimer in de documentatie en/of andere materialen die bij de distributie worden geleverd, reproduceren.
- De naam van STMicroelectronics of de namen van de partijen die een bijdrage hebben geleverd mogen zonder nadrukkelijke schriftelijke toestemming niet worden gebruikt om producten die zijn afgeleid van deze software te ondersteunen of promoten.

DEZE SOFTWARE WORDT DOOR DE AUTEURSRECHTHEBBENDEN EN PARTIJEN DIE HEBBEN BIJGEDRAGEN 'AS-IS' GELEVERD EN EVENTUELE EXPLICIETE OF IMPLICIETE GARANTIES MET INBEGRIJ VAN, MAAR NIET BEPERKT TOT IMPLICIETE GARANTIES VAN VERKOOPBAARHEID EN GESCHIKTHEID VOOR EEN BEPAALD DOEL WORDEN UITGESLOTEN. DE AUTEURSRECHTHEBBENDE OF PARTIJEN DIE EEN BIJDRAGE HEBBEN GELEVERD KUNNEN NOOIT AANSPRAKELIJK WORDEN GESTELD VOOR DIRECTE, INDIRECTE, INCIDENTELE, BIJZONDERE, TYPISCHE OF GEVOLGSCHADE (MET INBEGRIJ VAN , MAAR NIET BEPERKT TOT AANKOOP VAN VERVANGENDE GOEDEREN OF DIENSTEN, VERLIES VAN GEBRUIK, GEGEVENS OF WINST, OF BEDRIJFSONDERBREKING) DIE OP WELKE MANIER DAN OOK EN OP WELK VERMOEDEN VAN AANSPRAKELIJKHEID DAN OOK IS VEROORZAAKT, ONGEACHT OF DEZE IS ONTSTAAN DOOR EEN CONTRACT, STRIKTE AANSPRAKELIJKHEID OF EEN ONRECHTMATIGE DAAD (WAARONDER VERZUIJ OF ANDERS) IN VERBAND MET HET GEBRUIK VAN DEZE SOFTWARE, ZELF ALS ER GEWAARSCHUWD IS VOOR DE MOGELIJKHEID VAN DERGELIJKE SCHADE.

Apache 2.0 licentie

Copyright © 2009-2019 Arm Limited. Alle rechten voorbehouden

Versie 2.0, januari 2004 <http://www.apache.org/licenses/>

ALGEMENE VOORWAARDEN VOOR GEBRUIK, REPRODUCTIE EN VERSPREIDING

1. Definities.

Met '**licentie**' wordt de algemene voorwaarden, reproductie en verspreiding zoals gedefinieerd in secties 1 t/m 9 van dit document, bedoeld. Met '**licentiegever**' wordt de auteursrechthebbende of entiteit die door de auteursrechthebbende die deze licentie afgeeft is geautoriseerd, bedoeld. Met '**juridische entiteit**' wordt de samenvoeging van de handelende entiteit en alle andere entiteiten die deze entiteit beheren, hierdoor worden beheerd of hiermee onder gezamenlijk beheer staan, bedoeld. In de zin van deze definitie betekent '**beheer**' (i) de macht, direct of indirect, om de richting van het management van een dergelijke entiteit via contract of anderszins te bepalen of (ii) eigendom van vijftig procent (50%) of meer van de uitstaande aandelen of (iii) economisch eigendom van een dergelijke entiteit. Met '**u**' (of '**uw**') wordt een individuele of juridische entiteit die door deze licentie toegekende toestemmingen uitoefent, bedoeld. Met '**bron**'vorm wordt de geprefereerde vorm voor het maken van aanpassingen, met inbegrip van, maar niet beperkt tot softwarebroncode, documentatiebron en configuratiebestanden, bedoeld. Met '**object**' wordt elke vorm die voortkomt uit mechanische transformatie of vertaling van een bronvorm, met inbegrip van, maar niet beperkt tot samengestelde objectcode, gegenereerde documentatie en conversies naar andere soorten media, bedoeld. Met '**werk**' wordt het werk van auteurschap, in bron- of objectvorm, dat beschikbaar is gesteld onder de licentie, zoals aangegeven door een auteursrechtverklaring die is inbegrepen in of bijgevoegd aan het werk (een voorbeeld staat in de onderstaande bijlage), bedoeld. Met '**afgeleide werken**' worden werken, in bron- of objectvorm, die gebaseerd zijn op (of afgeleid zijn van) het werk en waarvoor de redactionele revisies, annotaties, uitwerkingen of andere aanpassingen als geheel een origineel werk van auteurschap vormen, bedoeld. Voor de toepassing van deze licentie bevatten afgeleide werken geen werken die scheidbaar blijven van of voornamelijk koppelen (of via naam gebonden zijn) aan de raakvlakken van het werk en de daarvan afgeleide werken. Met '**bijdrage**' wordt elk werk van auteurschap, met inbegrip van de originele versie van het werk en aanpassingen van of toevoegingen aan het betreffende werk of de afgeleide werken, dat wordt ingediend bij de licentiegever voor insluiting in het werk door de auteursrechthebbende of een persoon of juridische entiteit die geautoriseerd is om dit namens de auteursrechthebbende in te dienen, bedoeld. Voor de toepassing van deze definitie betekent '**ingediend**' elke vorm van elektronische, mondelinge of schriftelijke communicatie die naar de licentiegever of diens vertegenwoordigers is verstuurd, met inbegrip van, maar niet beperkt tot communicatie op elektronische mailinglijsten, broncode-regelsystemen en probleemtrackingsystemen die beheerd worden door, of namens de licentiegever voor het bespreken

en verbeteren van het werk, maar exclusief de communicatie die gemarkeerd of op een andere manier schriftelijk door de auteursrechthebbende als **'geen bijdrage'** wordt aangeduid. Met **'bijdrager'** wordt de licentiegever en elke individuele of juridische entiteit van wie de licentiegever een bijdrage heeft ontvangen en vervolgens in het werk heeft geïntegreerd, bedoeld.

2. Toekenning van auteursrechtlicentie.

Onderhevig aan de algemene voorwaarden van deze licentie, geeft elke bijdrager u bij dezen een eeuwigdurende, wereldwijde, niet-exclusieve, gratis, royaltievrije, onherroepelijke auteurslicentie voor het reproduceren, voorbereiden van afgeleide werken hiervan, openbaar weergeven, openbaar uitvoeren, sublicentiëren en distribueren van het werk en dergelijke afgeleiden werken in bron- of objectvorm.

3. Toekenning van octrooiligentie.

Onder voorbehoud van de algemene voorwaarden van deze licentie, verleent elke bijdrager hierbij aan u een eeuwigdurende, wereldwijde, niet-exclusieve, kosteloze, royaltievrije, onherroepelijke (behalve zoals vermeld in deze sectie) octrooiligentie om het werk te maken, te laten maken, te gebruiken, aan te bieden voor verkoop, te verkopen, te importeren en anderszins over te dragen, waarbij een dergelijke licentie alleen van toepassing is op die octrooiconclusies waarvoor een dergelijke bijdrager een licentie kan verlenen en die noodzakelijkerwijs worden geschonden door zijn bijdrage(n) alleen of door de combinatie van zijn bijdrage(n) met het werk waaraan die bijdrage(n) werd(en) geleverd. Als u octrooigeschillenbeslechting tegen een entiteit (waaronder een tegenclaim in een rechtszaak) start die beweert dat het werk of een opgenomen bijdrage in het werk een directe of essentiële octrooi-inbreuk is, zullen alle patentlicenties die onder deze licentie voor dat werk aan u zijn toegekend worden beëindigd op de datum dat een dergelijke geschillenbeslechting is ingediend.

4. Distributie.

U mag kopieën van het werk of afgeleide werken in welk medium dan ook, met of zonder aanpassingen en in bron- of objectvorm reproduceren en distribueren, mits u aan de volgende voorwaarden voldoet:

- U moet andere ontvangers van het werk of afgeleide werken een kopie van deze licentie geven; en
- U moet ervoor zorgen dat aangepaste bestanden van duidelijke vermeldingen zijn voorzien waarin wordt aangegeven dat u de bestanden hebt gewijzigd; en u moet in de bronvorm van afgeleide werken die u distribueert alle auteursrecht-, octrooi-, handelsmerk- en toekenningsvermeldingen van de bronvorm van het werk, exclusief vermeldingen die geen betrekking hebben op delen van de afgeleide werken in bronvorm van afgeleide werken, behouden; en
- Als het werk een **'VERMELDING'**-tekstbestand als onderdeel van de distributie bevat, moeten alle

afgeleide werken die u distribueert een leesbare kopie van de toekenningsvermeldingen in een dergelijk VERMELDING-bestand bevatten, exclusief vermeldingen die geen betrekking hebben op een deel van de afgeleide werken en deze moet zich op minimaal een van de volgende plekken bevinden: in een VERMELDING-tekstbestand die gedistribueerd wordt als onderdeel van de afgeleide werken, in de bronvorm of documentatie, indien samen met de afgeleide werken geleverd; of, binnen een weergave die wordt gegenereerd door de afgeleide werken, als en waar dergelijke vermeldingen van derden normaliter worden weergegeven. De inhoud van het VERMELDING-bestand is alleen voor informatieve doeleinden en zorgt niet voor een wijziging van de licentie. U kunt uw eigen toekenningsvermeldingen in de afgeleide werken toevoegen die u distribueert, samen met of als bijlage van de VERMELDING-tekst van het werk, mits dergelijke aanvullende toekenningsvermeldingen niet kunnen worden uitgelegd als een wijziging van de licentie. U kunt uw eigen auteursrechtverklaring aan uw wijzigingen toevoegen en kunt voor aanvullende of andere algemene licentievoorwaarden voor gebruik, reproductie of distributie van uw wijzigingen of voor dergelijke afgeleide werken als geheel zorgen, mits uw gebruik, reproductie en distributie van het werk aan de voorwaarden in deze licentie voldoet.

5. Indienen van bijdragen.

Tenzij u uitdrukkelijk iets anders aangeeft, zal elke bijdrage die voor opname in het werk door u of de licentiegever wordt ingediend onder de algemene voorwaarden van deze licentie zijn, zonder aanvullende algemene voorwaarden. Ondanks het bovenstaande zal niets hierin de voorwaarden van een afzonderlijke licentieovereenkomst die u met de licentiegever met betrekking tot dergelijke bijdragen hebt afgesloten, vervangen of aanpassen.

6. Handelsmerken.

Deze licentie geeft geen toestemming voor het gebruik van de handelsnamen, handelsmerken, servicemerken of productnamen van de licentiegever, behalve waar nodig voor redelijk en normaal gebruik in het beschrijven van de origine van het werk en reproductie van de inhoud van het VERMELDING-bestand.

7. Uitsluiting van garantie.

Tenzij vereist door toepasselijk recht of schriftelijk overeengekomen biedt licentiegever het werk (en elke partij die de bijdragen levert) op een 'AS-IS'-BASIS, ZONDER GARANTIES OF VOORWAARDEN, noch expliciet, noch impliciet, met inbegrip van, maar niet beperkt tot garanties of voorwaarden van TITEL, NIET-INBREUK, VERKOOPBAARHEID of GESCHIKTHEID VOOR EEN BEPAALD DOEL, AAN. U alleen bent verantwoordelijk voor het bepalen van de geschiktheid van het gebruik of distribueren van het werk en draagt de eventuele risico's die gepaard

gaan met uw uitoefening van toestemming onder deze licentie. 8. Beperking van aansprakelijkheid. In geen omstandigheden en onder geen wettelijke theorie, of dit nu een onrechtmatige daad (met inbegrip van nalatigheid), overeenkomst of anderszins is, tenzij vereist door toepasselijk recht (zoals opzettelijke en grof nalatige handelingen) of schriftelijk overeengekomen, is een bijdrager niet aansprakelijk voor schade, inclusief directe, indirecte, bijzondere, incidentele of gevolgschade van welke aard dan ook als gevolg van deze licentie of het door het gebruik of het niet kunnen gebruiken van het werk (met inbegrip van, maar niet beperkt tot schade voor verlies van goodwill, stopzetting van werk, een computerdefect of -storing of andere commerciële schade of verliezen), zelfs als de bijdrager op de hoogte is gebracht van de waarschijnlijkheid van dergelijke schade.

9. Accepteren van de garantie of aanvullende aansprakelijkheid.

Tijds het distribueren van het werk of de daarvan afgeleide werken kunt u ervoor kiezen om acceptatie van ondersteuning, garantie, vrijwaring of andere aansprakelijkheidsverplichtingen en/of rechten die consistent zijn met deze licentie aan te bieden en hier geld voor te vragen. Bij het accepteren van dergelijke verplichtingen mag u alleen namens uzelf en op eigen verantwoordelijkheid handelen en niet namens andere partijen die een bijdrage leveren en alleen u stemt ermee in om elke bijdrager te vrijwaren, verdedigen en schadeloos te stellen voor aansprakelijkheid veroorzaakt door, of claims tegen een dergelijke bijdrager als gevolg van uw acceptatie van een dergelijke garantie of aanvullende aansprakelijkheid. EINDE ALGEMENE VOORWAARDEN

INNHOLD

Innledning.....	329	Transport, oppbevaring og avhending.....	342
Sikkerhet.....	331	Tekniske data.....	343
Montering.....	337	Tilbehør.....	344
Drift.....	338	Samsvarserklæring.....	345
Vedlikehold.....	340	Lisenser.....	346
Feilsøking.....	341	Vedlegg	507

Innledning

Produktbeskrivelse

Husqvarna Aspire T28-P4A er en batteridrevet gresstrimmer med en elektrisk motor.

Det pågår et kontinuerlig arbeid for å øke sikkerheten og effektiviteten din under bruk. Kontakt serviceforhandleren din for mer informasjon.

Bruksområder

Produktet brukes med et trimmerhode for å klippe gress. Ikke bruk produktet til andre oppgaver enn gresstrimming og gressrydding.

Produktoversikt

(Fig. 1)

1. Trimmerhode
2. Beskyttelse for skjæreutstyr
3. Plantevern
4. Riggørjustering (teleskop)
5. Riggør
6. Loophåndtak
7. Vedlikeholdsdeksel
8. Justeringsknapp for loophåndtak
9. Brukergrensesnitt
10. Advarselsindikator

Merk: Nasjonale forskrifter kan sette grenser for bruken av produktet.

Hurtigveiledning

Skann QR-koden for å få råd om hvordan du bruker produktet.

(Fig. 20)

11. Indikator for ladestatus
12. Av/på-knapp
13. Kraftutløser
14. Kraftutløserperre
15. Batteri (P4A 18-B45)
16. Batteriutløserknapp
17. Batteri (P4A 18-B72)
18. Batterilader (P4A 18-C70)
19. Kobling
20. Strøm på- og varsellampe
21. Kombinasjonsverktøy

22. Veggkrok

23. Skruer og veggplugg for veggkrok

24. Bruksanvisning

Symboler på produktet

- (Fig. 2) **ADVARSEL:** Dette produktet kan være farlig og føre til alvorlig personskade eller død for brukeren eller andre. Vær forsiktig, og bruk produktet riktig.
- (Fig. 3) Les nøye gjennom bruksanvisningen, og sørg for at du har forstått instruksjonene før bruk.
- (Fig. 4) Bruk øyevern.
- (Fig. 5) Må ikke utsettes for regn.
- (Fig. 6) Merking for støytutslipp til omgivelsene som i EU-direktiver og -forordninger, britiske forskrifter og New South Wales-forskriften «Protection of the Environment Operations (Noise Control) Regulation 2017». Garantert lydeffektnivå for produktet er angitt i *Tekniske data på side 343*.
- (Fig. 7) Koble fra batteriet før vedlikehold.
- (Fig. 8) Produktet og produktemballasjen er ikke restavfall. Resirkuler det på et gjenvinningsanlegg for elektrisk og elektronisk utstyr.
- (Fig. 9) Vær oppmerksom på objekter som kan slynges ut.
- (Fig. 10) Ikke bruk metallblader.
- (Fig. 11) Dette produktet samsvarer med gjeldende EU-direktiver.
- (Fig. 12) Dette produktet samsvarer med gjeldende UK- direktiver.
- (Fig. 13) Direktestrøm.
- (Fig. 17) Avstanden mellom maskinen og tilskuere skal være minst 15 m (50 fot).

yyyywwxxxx

Typeskiltet eller laseravtrykket viser serienummeret. **yyyy** er produksjonsåret, og **ww** er produksjonsuken.

Symboler på produktet

- (Fig. 2) **ADVARSEL:** Dette produktet kan være farlig og føre til alvorlig personskade eller død for brukeren eller andre. Vær forsiktig, og bruk produktet riktig.
- (Fig. 3) Les nøye gjennom bruksanvisningen, og sørg for at du har forstått instruksjonene før bruk.
- (Fig. 4) Bruk øyevern.
- (Fig. 5) Må ikke utsettes for regn.
- (Fig. 6) Merking for støytutslipp til omgivelsene som i EU-direktiver og -forordninger (også inkludert lovgivning i New South Wales) og britiske forskrifter. Du finner informasjon om støytutslipp på maskinetiketten og i kapittelet Tekniske data.
- (Fig. 7) Koble fra batteriet før vedlikehold.
- (Fig. 8) Produktet og produktemballasjen er ikke restavfall. Resirkuler det på et gjenvinningsanlegg for elektrisk og elektronisk utstyr.
- (Fig. 9) Vær oppmerksom på objekter som kan slynges ut.
- (Fig. 10) Ikke bruk metallblader.
- (Fig. 11) Dette produktet samsvarer med gjeldende EU-direktiver.
- (Fig. 13) Direktestrøm.
- (Fig. 17) Avstanden mellom maskinen og tilskuere skal være minst 15 m (50 fot).
- yyyywwxxxx
- Typeskiltet eller laseravtrykket viser serienummeret. **yyyy** er produksjonsåret, og **ww** er produksjonsuken.

Symboler på batteriet eller batteriladeren

(Fig. 18)

Lever dette produktet til et gjenvinningsanlegg for elektrisk og elektronisk utstyr. (Gjelder kun Europa)

(Fig. 19) Bruk batteriet kun i produkter fra POWER FOR ALL systempartnere.

(Fig. 14) Feilsikker transformator.

(Fig. 15) Batteriladeren skal bare brukes og oppbevares innendørs.

(Fig. 16) Dobbeltisolert.

- Produktet er reparert på feil måte.
- Produktet er reparert med deler som ikke kommer fra produsenten eller som ikke er godkjent av produsenten.
- Produktet har et tilbehør som ikke kommer fra produsenten eller som ikke er godkjent av produsenten.
- Produktet er ikke reparert på et godkjent servicesenter eller av en godkjent aktør.

Skader på produktet

Vi er ikke ansvarlige for skader på produktet vårt hvis:

Produsent

Husqvarna AB

SE-561 82, Huskvarna, Sweden

Sikkerhet

Sikkerhetsdefinisjoner

Advarsler, oppfordringer og merknader brukes for å understreke spesielt viktige deler av bruksanvisningen.



ADVARSEL: Brukes hvis det er fare for personskade eller død for brukeren eller andre personer om instruksjonene i håndboken ikke følges.



OBS: Brukes hvis det er fare for skade på produktet, annet materiell eller nærliggende områder om instruksjonene i håndboken ikke følges.

Merk: Brukes for å gi mer nødvendig informasjon for en spesifikk situasjon.

Generelle sikkerhetsadvarsler for motorredskaper



ADVARSEL: Les alle sikkerhetsadvarsler og instruksjoner. Hvis du ikke følger advarslene og instruksjonene, kan det føre til elektrisk støt, brann og/eller alvorlig personskade.

Merk: Ta vare på alle advarsler og instruksjoner for fremtidig bruk. Begrepet «el-verktøy» i advarslene referer til elektrisk verktøy som drives av nettstrøm (med ledning) eller batteri (uten ledning).

Kontroll før start

- Ta alltid ut batteriet for å hindre at produktet startes ved et uhell. Ta alltid ut batteriet før det utføres vedlikehold på maskinen.

- Før produktet brukes og etter at det har vært utsatt for slag, må det kontrolleres for tegn på slitasje eller skader. Det skal repareres ved behov.
- Inspiser arbeidsområdet. Fjern alle løse gjenstander, for eksempel steiner, glasskår, spiker, ståltråd, snorer osv., som kan bli slynget av sted eller vikle seg rundt kapperen eller kapperbeskyttelsen.
- Kontroller motoren med tanke på smuss og sprekker. Fjern gress og blader fra motoren med en børste. Hansker skal brukes ved behov.
- Kontroller at trimmerhodet er skikkelig festet på trimmeren.
- Kontroller at produktet er i perfekt stand. Kontroller at alle muttere og skruer er trukket ordentlig til.
- Kontroller trimmerhodet og trimmerskjermen slik at de er uten skader og fri for sprekkdannelser. Bytt trimmerhode eller trimmerskjerm hvis de er blitt utsatt for slag eller har sprekker. Bruk alltid anbefalt beskyttelse for det spesifikke skjæreutstyret. Se kapitlet Tekniske data.
- Brukere av produktet må sørge for at mennesker og dyr er minst 15 meter unna mens det arbeides. Hvis flere arbeider på samme sted, skal sikkerhetsavstanden være minst 15 meter.
- Utfør en generell inspeksjon av produktet før bruk. Se vedlikeholdsskjemaet.
- Bruken av denne maskinen kan være regulert av nasjonal eller lokal lovgivning. Følg gjeldende lovgivning.

Sikkerhet i arbeidsområdet

- **Hold arbeidsområdet rent og godt opplyst.** Rot og dårlig opplyste områder kan lett føre til ulykker.
- **Bruk ikke el-verktøy i eksplosiv atmosfære, for eksempel der det finnes brennbare væsker, gasser eller støv.** El-verktøy danner gnister som kan antenne støv eller gasser.
- **Hold barn og andre tilskuere på avstand når el-verktøyet er i bruk.** Distraksjoner kan føre til at du mister kontrollen.

Elektrisk sikkerhet

- **Støpselet til elektroverktøyet må passe til stikkkontakten. Du må aldri modifisere støpselet på noen måte. Adapterpluggen må ikke brukes sammen med et jordet elektroverktøy.** Når støpselet/pluggen ikke er modifisert og stikkkontakten passer, vil dette redusere faren for elektrisk støt.
- **Unngå kroppskontakt med jordede flater, for eksempel rør, radiatorer, komfyrer og kjøleskap.** Faren for elektrisk støt øker hvis kroppen til brukeren er jordet.
- **Elektroverktøy må ikke utsettes for regn eller fuktighet.** Hvis det kommer vann inn i elektroverktøyet øker faren for elektrisk støt.
- **Ledningen må håndteres forsiktig. Bruk aldri ledningen til å bære eller trekke noe, eller til å trekke ut støpselet. Hold ledningen unna varme, olje, skarpe kanter og bevegelige deler.** Skadet eller sammenflokete ledninger øker faren for elektrisk støt.
- **Når elektroverktøyet brukes utendørs, må det brukes en skjuleledning som er egnet for bruk utendørs.** Bruk av ledning for utendørs bruk reduserer faren for elektrisk støt.
- **Hvis elektroverktøyet må brukes på et fuktig sted, bør det være koblet til en strømkrets som er beskyttet av jordfeilbryter.** Bruk av jordfeilbryter reduserer faren for elektrisk støt.

Personlig sikkerhet

- **Vær oppmerksom, følg med på det du gjør, og bruk sunn fornuft når du bruker elektroverktøyet. Ikke bruk et elektrisk verktøy hvis du er trett eller påvirket av narkotika, alkohol eller legemidler.** Et øyeblikks uoppmerksomhet ved bruk av elektroverktøy kan føre til alvorlig personskade.
- **Bruk personlig verneutstyr. Bruk alltid vernebriller.** Bruk av verneutstyr som støvmaske, vernesko med antisklisåle, hjelm og hørselvern der det kreves, reduserer faren for personskade.
- **Unngå utilsiktet oppstart. Forsikre deg om at bryteren står i AV-stillingen før du kobler til strømforsyningen og/eller batteripakken, tar opp verktøyet eller bærer verktøyet.** Hvis du bærer verktøyet med en finger på bryteren eller med elektroverktøyet påslått, kan dette lett føre til ulykker.
- **Fjern eventuelle justeringsnøkler før du slår på elektroverktøyet.** En nøkkel som sitter på en roterende del av elektroverktøyet, kan føre til personskade.
- **Ikke strekk deg for langt. Hold alltid føttene på bakken og en balansert stilling.** Dette gir deg bedre kontroll over elektroverktøyet i uventede situasjoner.
- **Bruk egnede klær. Bruk ikke løstsittende klær eller smykker. Hold hår og klær borte fra bevegelige deler.** Løstsittende klær, smykker eller langt hår kan sette seg fast i bevegelige deler.
- **Hvis apparatet er forsynt med tilkobling for støvsuger eller oppsamlere, må du forsikre deg om at disse**

er riktig tilkoblet og brukes på riktig måte. Bruk av støvoppsamlere kan redusere faren for støvrelaterte skader.

- **Selv om du har lang erfaring med bruk av elektroverktøy, må du ikke bli uforsiktig eller ignorere sikkerhetsreglene.** En uforsiktig handling kan føre til alvorlig personskade i løpet av en brøkdell av et sekund.
- Vibrasjonsnivået under faktisk bruk av det motoriserte redskapet kan avvike fra den oppgitte totalverdien, avhengig av hvordan redskapet brukes. Brukeren må treffe sikkerhetstiltak for å beskytte seg, basert på et anslag av eksponeringen under de faktiske bruksforholdene (med hensyn til alle deler av operasjonssyklusen, for eksempel når verktøyet slås av og når det går på tomgang).

Bruk og vedlikehold av elektroverktøy

- **Bruk ikke makt på elektroverktøyet. Bruk riktig elektroverktøy for arbeidet som skal utføres.** Riktig elektroverktøy gjør jobben på en bedre og sikrere måte i den hastigheten det er konstruert for.
- **Bruk ikke elektroverktøyet hvis bryteren ikke lar seg slå på og av.** Elektroverktøy som ikke kan kontrolleres med bryteren, er farlig, og må repareres.
- **Koble støpselet fra strømforsyningen og/eller batteripakken fra elektroverktøyet, hvis den er avtakbar, før du foretar justeringer, skifter tilbehør eller lagrer elektroverktøyet.** Slike forebyggende sikkerhetstiltak reduserer faren for at elektroverktøyet starter ved et uhell.
- **Elektroverktøy som ikke er i bruk, må oppbevares utilgjengelig for barn. La ikke elektroverktøyet brukes av personer som ikke er kjent med elektroverktøyet eller disse instruksjonene.** Elektroverktøy er farlige når de brukes av uerfarne brukere.
- **Vedlikehold elektroverktøy og tilbehør. Kontroller justeringen av bevegelige deler, samt at de ikke sitter fast. Kontroller at det ikke finnes ødelagte deler eller andre feil som kan påvirke bruken av elektroverktøyet. Hvis elektroverktøyet er skadet, må det repareres før bruk.** Mange ulykker forårsakes av dårlig vedlikeholdt elektroverktøy.
- **Hold skjæreverktøy skarpe og rene.** Riktig vedlikeholdte skjæreverktøy med skarpe skjærekanten har mindre fare for å sette seg fast, og er lettere å kontrollere.
- **Bruk elektroverktøyet, tilbehør og verktøybits osv. I henhold til disse instruksjonene, og i forhold til arbeidsforholdene og arbeidet som skal utføres.** Bruk av elektroverktøy til andre oppgaver enn dem de er laget for, kan føre til farlige situasjoner.
- **Hold håndtakene og gripeflatene tørre, rene og frie for olje og fett.** Glatte håndtak og gripeflater gjør trygg håndtering og kontroll av verktøyet i uventede situasjoner umulig.

Bruk og pleie av batteriverktøy

- **Må bare lades med laderen som er spesifisert av produsenten.** En lader som passer til én batteripakke

kan skape brannfare hvis den brukes med en annen batteripakke.

- **Produkter skal bare brukes med spesielt angitte batteripakker.** Bruk av andre batteripakker kan medføre fare for personskade og brann.
- **Når batteriet ikke er i bruk, må det holdes unna andre metallgjenstander som binders, mynter, nøkler, spiker, skruer og andre små metallgjenstander som kan danne en forbindelse fra den ene batteripolen til den andre.** Kortslutning av batteripolene kan føre til forbrenning eller brann.
- **Hvis batteriet utsettes for store påkjenninger, kan det komme væske ut av det. Unngå i så fall kontakt med denne væsken. Skyll med vann hvis kontakt oppstår ved et uhell. Hvis du får væske i øynene, kontakt lege øyeblikkelig.** Væske som kommer ut av batteriet kan forårsake irritasjon eller forbrenninger.
- **Ikke bruk batteripakken eller verktøyet hvis det er skadet eller endret.** Skadede eller endrede batterier kan ha en uforutsigbar adferd, noe som kan føre til brann, eksplosjoner eller personskader.
- **Ikke eksponer en batteripakke eller et verktøy for brann eller for høy temperatur.** Eksponering for flammer eller temperaturer over 130 °C (265 °F) kan føre til eksplosjon.
- **Følg alle instruksjoner for lading, og ikke lad batteripakken eller verktøyet utenfor temperaturområdet som er angitt i instruksjonene.** Lading på feil måte eller ved temperaturer utenfor det angitte området kan påføre batteriet skade og øke faren for brann.

Service

- **La en kvalifisert tekniker/reparatør utføre service, og gjøre eventuelle utskiftninger kun med identiske reservedeler.** Dette sikrer at elektroverktøyet sikkerhet opprettholdes.
- **Utfør aldri service på skadede batteripakker.** Service av batteripakker skal kun utføres av produsenten eller autoriserte serviceleverandører.

Bruk alltid sunn fornuft

Det er umulig å dekke alle de tenkelige situasjonene som kan oppstå. Vær alltid forsiktig og bruk sunn fornuft. Unngå situasjoner du ikke føler deg tilstrekkelig kvalifisert for. Hvis du etter å ha lest disse instruksjonene fortsatt føler deg usikker vedrørende bruken, skal du rådføre deg med en ekspert før du fortsetter.



ADVARSEL: La aldri barn bruke eller oppholde seg i nærheten av maskinen. Siden maskinen er lett å starte, kan barn starte den hvis de ikke holdes under oppsyn. Dette kan medføre risiko for alvorlig personskade. Batteriet må derfor kobles fra når maskinen ikke er under oppsyn.

Generelle sikkerhetsinstruksjoner



ADVARSEL: Les de følgende advarelsinstruksjonene før du bruker produktet.

- Ta alltid ut batteriet for å forhindre at produktet startes ved et uhell.
- Dette produktet er et farlig verktøy hvis du ikke er forsiktig, eller hvis du bruker produktet på feil måte. Dette produktet kan føre til alvorlig personskade eller død for operatøren eller andre.
- Ikke bruk produktet hvis det er endret fra den opprinnelige spesifikasjonen. Ikke endre en del av produktet uten godkjenning fra produsenten. Bruk bare reservedeler som er godkjent av produsenten. Personskade eller død er mulige konsekvenser av feil vedlikehold.
- Kontroller produktet før bruk. Se *Kontroll før start på side 331* og *Før du bruker produktet på side 338*. Ikke bruk et produkt som er skadet eller ikke fungerer som det skal. Utfør sikkerhetskontrollene, og følg vedlikeholds- og serviceinstruksjonene i denne bruksanvisningen.
- Barn må holdes under oppsyn for å sikre at de ikke leker med produktet. Produktet og/eller batteriet må aldri brukes av barn eller personer som ikke har fått opplæring i bruken av det. Aldersgrense for bruk kan være underlagt lokale bestemmelser.
- Oppbevar produktet på et låst sted for å hindre tilgang for barn eller personer som ikke er godkjent.
- Oppbevar produktet utilgjengelig for barn.
- Den opprinnelige konstruksjonen til produktet må ikke under noen omstendigheter endres uten tillatelse fra produsenten. Bruk alltid originalt tilbehør. Uautoriserte endringer og/eller tilleggsutstyr kan medføre alvorlige skader eller dødsfall for brukeren eller andre.

Merk: Bruken kan være regulert av nasjonal eller lokal lovgivning. Følg gjeldende lovgivning.

Sikkerhetsinstruksjoner for drift



ADVARSEL: Les de følgende advarelsinstruksjonene før du bruker produktet.

- **Ikke bruk produktet i dårlig vær, spesielt når det er fare for lyn og torden.** Dette øker faren for å bli truffet av lynnedslag.
- **Inspiser området grundig for dyreliv der maskinen skal brukes.** Dyreliv kan bli skadet av maskinen under bruk.
- **Kontroller området grundig der maskinen skal brukes, og fjern alle steiner, pinner, ledninger, bein og andre fremmedlegemer.** Gjenstander som slynges ut, kan føre til alvorlig skade.

- **Før du bruker maskinen, må du alltid kontrollere visuelt for å se at kapperen og kapperenheten ikke er skadet.** Skadede deler øker faren for personskaade.
- **Hold dekslene på plass. Dekslene må være i god stand og være riktig montert.** Et deksel som er løst, skadet eller som ikke fungerer som det skal, kan føre til personskaade.
- **Sørg for at det ikke kommer rusk inn i kjøleluftinntaket.** Blokkerte luftinntak og rusk kan føre til overoppheting eller brannfare.
- **Bruk vernebriller og hørselsvern.** Tilstrekkelig verneutstyr reduserer personskaader.
- **Bruk alltid sklisikkert og beskyttende fottøy når du bruker maskinen. Du må ikke være barbeint eller bruke åpne sandaler når du bruker maskinen.** Dette reduserer faren for skade på føttene fra kontakt med kutteren når den er i bevegelse.
- **Bruk alltid klær som dekker brukernes ben, for eksempel bukser, når du bruker maskinen.** Kontakt med kapperen eller tråden når disse er i bevegelse, kan føre til personskaade.
- **Hold tilskuere på avstand når du bruker maskinen.** Objekter som slynges ut, kan føre til alvorlig personskaade.
- **Ikke bruk maskinen over hoftehøyde.** Dette bidrar til å hindre utilsiktet kontakt med kutteren, og gir bedre kontroll over maskinen i uventede situasjoner.
- **Vær forsiktig når du bruker maskinen i vått gress. Gå, ikke løp.** Dette reduserer faren for å skli og falle, som kan føre til personskaade.
- **Ikke bruk maskinen i svært bratte skråninger.** Dette reduserer risikoen for å miste kontrollen, skli og falle, som kan føre til personskaade.
- **Når du arbeider i skråninger, må du alltid stå støtt, alltid arbeide på tvers av skråninger, aldri opp eller ned, og være svært forsiktig når du skifter retning.** Dette reduserer risikoen for å miste kontrollen, skli og falle, som kan føre til personskaade.
- **Hold alle strømledninger og kabler unna klippeområdet.** Ledninger eller kabler kan være skjult i hekker og busker, og du kan risikere å kutte eller skade dem ved et uhell.
- **Hold alle deler av kroppen borte fra trimmerkniven eller trimmertråden i bevegelse. Ikke fjern materiale fra maskinen før den er koblet fra strømkilden.** Trimmerkniven eller -tråden kan føre til alvorlig personskaade når den er i bevegelse.
- **Bær maskinen med maskinen slått av og på avstand fra kroppen.** Riktig håndtering av maskinen reduserer sannsynligheten for utilsiktet kontakt med en trimmerkniv eller -tråd i bevegelse.
- **Bruk bare reserve-skjærhoder og -trimmerkniver eller -tråder som er spesifisert av produsenten. Ikke bytt ut trimmerknivene eller -linjene med metalltråder eller -blader.** Feil reservedeler kan føre til tap av kontroll, ødeleggelser og personskaader.

Personlig verneutstyr



ADVARSEL: Les de følgende advarselinstruksjonene før du bruker produktet.

- Benytt alltid godkjent verneutstyr når du bruker produktet. Verneutstyr kan aldri fullstendig forhindre skade, men det reduserer skadeomfanget hvis ulykken inntreffer. Spør forhandleren din om hjelp til å velge riktig utstyr.
- Bruk godkjent hørselsvern.

(Fig. 21)

- Bruk godkjent øyevern. Ved bruk av visir skal det også brukes godkjente vernebriller. Godkjente vernebriller er slike som tilfredsstiller standard ANSI Z87.1 for USA eller EN 166 for EU-land.

(Fig. 22)

- Bruk hansker når det er nødvendig, for eksempel når du fester, undersøker eller rengjør skjæreutstyret.

(Fig. 23)

- Bruk verne støvler med ståltå og sklisikre såler.

(Fig. 24)

- Bruk klær av et slitesterkt materiale. Bruk alltid tykke langbukser og lange ermer. Unngå bruk av allfor vide klær som lett henger seg fast i kvister og grener. Ikke bruk smykker, korte bukser eller sandaler. Ikke gå med bare føtter. Sett håret opp over skuldernivå.
- Ha førstehjelpsutstyr i nærheten.

(Fig. 25)

Sikkerhetsutstyr på produktet



ADVARSEL: Les de følgende advarselinstruksjonene før du bruker produktet.

I dette avsnittet forklares produktets sikkerhetsfunksjoner, hvilken funksjon det har, og hvordan man utfører kontroll og vedlikehold for å være sikker på at det fungerer. Se bruksanvisningen under overskriften *Innledning på side 329* for å finne ut hvor disse delene er plassert på produktet.

Levetiden til produktet kan forkortes og risikoen for ulykker kan øke dersom produktvedlikeholdet ikke utføres på riktig måte, og dersom service eller reparasjoner ikke er fagmessig utført. Hvis du trenger ytterligere informasjon, kan du kontakte nærmeste servicesenter.



ADVARSEL: Bruk aldri et produkt med skader på sikkerhetsutstyret. Produktets sikkerhetsutstyr skal kontrolleres og vedlikeholdes som beskrevet i dette avsnittet. Hvis produktet ikke består alle

kontrollene, må serviceverksted oppsøkes for reparasjon.



OBS: All service og reparasjon av maskinen krever spesialutdanning. Dette gjelder særlig maskinens sikkerhetsstyr. Hvis maskinen ikke består alle kontrollene som er oppgitt nedenfor, må du oppsøke et serviceverksted. Kjøp av våre produkter garanterer at du kan få utført en fagmessig reparasjon og service. Hvis maskinen ikke er kjøpt hos en av våre servicefaghandlere, så spør dem etter nærmeste serviceverksted.

Slik kontrollerer du brukergrensesnittet

De grønne LED-lampene (A) viser batteristatusen når produktet er på, men ikke i drift.

- Trykk på og hold inne av/på-knappen (B). (Fig. 26)
 - Produktet er slått på når de grønne LED-lampene (A) lyser.
 - Produktet er slått av når de grønne LED-lampene (A) ikke lyser.
- Se *Fellsøking på side 341* hvis varselampen (C) lyser eller blinker.

Slik kontrollerer du kraftutløssersperren

Kraftutløssersperren forhindrer at produktet startes ved et uhell. Når du trykker på kraftutløssersperren (A), utløses kraftutløseren (B). Når du slipper håndtaket, går kraftutløseren og kraftutløssersperren tilbake til utgangsposisjonene. (Fig. 27)

- Kontroller at kraftutløseren er låst når kraftutløssersperren står i utgangsstillingen.

(Fig. 28)

- Skv kraftutløseren, og kontroller at den går tilbake til utgangsstillingen når du slipper den.

(Fig. 29)

- Kontroller at kraftutløseren og kraftutløssersperren kan bevege seg fritt og at returfjæren fungerer som den skal.

(Fig. 30)

- Start produktet. Se *Hvordan robotklipperen startes på side 339*.
- Slipp kraftutløseren, og sjekk at skjærestyret stanser helt.

Slik kontrollerer du beskyttelsen for skjærestyret



ADVARSEL: Ikke bruk skjærestyr uten en godkjent og korrekt festet beskyttelse. Bruk alltid anbefalt beskyttelse for skjærestyr for det skjærestyret du bruker. Se *Tekniske data på side 343*. Hvis feil eller defekt beskyttelse for skjærestyr monteres, kan dette forårsake alvorlig personskade.

Beskyttelsen for skjærestyret stopper gjenstander som kastes ut i retning av brukeren. Den forhindrer også skader som kan oppstå hvis du berører skjærestyret.

- Stopp motoren.
- Utfør en visuell sjekk etter skader, for eksempel sprekker.
- Skift ut beskyttelsen for skjærestyret hvis den er skadet.

Klippeutstyr

Velg riktig skjærestyr, og utfør vedlikehold på skjærestyret for å

- oppnå maksimal skjærekapasitet
- forlenge levetiden til skjærestyret



ADVARSEL: Bruk bare skjærestyr sammen med den skjermen vi anbefaler! Se *Tekniske data på side 343*. Følg anvisningene for skjærestyret for å finne riktig måte å sette inn trimmertråd på og informasjon om valg av riktig trimmertråddiameter.



ADVARSEL: Defekt skjærestyr kan øke risikoen for ulykker.

Trimmerhode



ADVARSEL: Pass alltid på at trimmertråden vikles hardt og jevnt rundt trommelen, slik at skadelige vibrasjoner forhindres.

(Fig. 31)

- Bruk bare anbefalte trimmerhoder og trimmertråder.
- Bruk bare anbefalt skjærestyr.
- En mindre maskin krever små trimmerhoder og omvendt.
- Trimmertrådens lengde er viktig. En lengre trimmertråd krever større motorstyrke enn en kort trimmertråd med samme diameter.
- Se etter at kniven som sitter på trimmerskjermen er intakt. Dette kutter trimmertråden til riktig lengde.

- Bløtlegg trimmertråden i vann i et par dager før bruk. Dette øker levetiden.

Batterisikkerhet



ADVARSEL: Les alle sikkerhetsinstruksjoner og generelle instruksjoner. Hvis du ikke følger sikkerhetsinstruksjonene og de generelle instruksjonene, kan det føre til elektrisk støt, brann eller alvorlig personskade. **Ta vare på sikkerhetsinformasjonen og de generelle instruksjonene for fremtidig bruk.**

- Disse sikkerhetsinstruksjonene gjelder bare for oppladbare 18 V litium-ionbatterier for POWER FOR ALL-systemet.
- Bruk det oppladbare batteriet kun i produkter fra POWER FOR ALL-systempartnere. 18 V oppladbare batterier merket med POWER FOR ALL er fullt ut kompatible med følgende produkter:
 - Alle produkter i 18 V POWER FOR ALL-batterisystemet.
 - Alle 18 V-produkter fra POWER FOR ALL-systempartnere.
- Følg batterianbefalingene i bruksanvisningen for produktet. Bare på denne måten kan det oppladbare batteriet og produktet brukes uten fare, og de oppladbare batteriene beskyttes mot farlig overbelastning.
- Lad batteriene kun ved bruk av ladere som er anbefalt av produsenten eller av POWER FOR ALL-systempartnere. En lader som passer til én type batteri, kan utgjøre en brannfare hvis den brukes med et annet batteri.
- Batteriet leveres delvis oppladet. For å sikre full batterikapasitet må batteriet lades helt opp i laderen før du bruker elektroverktøyet for første gang.
- Oppbevar batteripakkene utilgjengelig for barn.
- Ikke åpne batteriet. Det er fare for kortslutning.
- Ved skade på og feil bruk av batteriet kan det komme ut damp. Batteriet kan begynne å brenne eller eksplodere. Sørg for at området er godt ventilert, og oppsøk lege dersom du opplever negative virkninger. Dampen kan irritere respirasjonssystemet.
- Hvis batteriet brukes på feil måte, eller hvis det er skadet, kan brennbar væske komme ut av batteriet. Unngå kontakt med denne væsken. Skyll med vann hvis kontakt oppstår ved et uhell. Oppsøk lege hvis væsken kommer i kontakt med øynene. Væske fra batteriet kan forårsake irritasjon eller brannskader.
- Hvis batteriet er skadet, kan væske komme ut, slik at nærliggende overflater blir tilsølt. Kontroller berørte deler. Rengjør disse delene, eller skift dem om nødvendig.
- Batteripakken må ikke kortsluttes. Når batteripakken ikke er i bruk, må den holdes unna andre metallgjenstander som binders, mynter, nøkler,

spiker, skruer og andre små metallgjenstander som kan danne en forbindelse fra den ene batteripolen til den andre. Kortslutning av batteripolene kan føre til forbrenning eller brann.

- Batteriet kan bli skadet av spisse gjenstander som spiker eller skrutrekkere eller ved å bli utsatt for slag eller støt. Det kan oppstå en intern kortslutning som fører til at batteriet brenner, ryker, eksploderer eller overopphetes.
- Utfør aldri service på skadede batteripakker. Service av batteripakker skal kun utføres av produsenten eller autoriserte serviceleverandører.
- Beskytt batteriet mot varme, f.eks. mot kontinuerlig, kraftig sollys eller brann, og mot smuss, vann og fuktighet. Det er fare for eksplosjon og kortslutning.
- Bruk batteriet i produktet kun i omgivelsestemperaturer mellom -5°C — 40°C .
- Batteriet må bare oppbevares ved en omgivelsestemperatur på mellom -20°C — 50°C . La for eksempel ikke batteriet være i bilen om sommeren. Ved temperaturer på $< 0^{\circ}\text{C}$ kan noen enheter få redusert effekt.
- Batteriet må kun lades ved en omgivelsestemperatur på 0°C — 35°C . Lading utenfor dette temperaturområdet kan øke faren for skade på batteriet og brann.

Sikker bruk av batteriladeren



ADVARSEL: Les alle sikkerhetsinstruksjoner og generelle instruksjoner. Hvis du ikke følger sikkerhetsinstruksjonene og de generelle instruksjonene, kan det føre til elektrisk støt, brann eller alvorlig personskade. **Oppbevar disse instruksjonene på et sikkert sted.** Bruk laderen bare hvis du kan utføre alle funksjonene fullstendig og utføre dem uten begrensninger, eller hvis du har mottatt tilsvarende instruksjoner.

- Ha tilsyn med barn under bruk, rengjøring og vedlikehold. Barn må ikke leke med laderen.
- Lad bare litium-ion-batterier i POWER FOR ALL-systemet 18 V med en kapasitet på 1,5 Ah eller mer (5 battericeller eller mer). Batterispenningen må tilsvare batteriladespenningen til laderen. Ikke lad opp ikke-oppladbare batterier. Hvis du gjør det, er det risiko for brann og eksplosjon.
- Laderen må ikke utsettes for regn eller fuktighet. Hvis det kommer vann inn i elektroverktøyet øker faren for elektrisk støt.
- Hold laderen ren. Smuss fører til fare for elektrisk støt.
- Kontroller alltid laderen, kabelen og støpselet før bruk. Slutt å bruke laderen hvis du oppdager skader. Ikke åpne laderen selv, og få den reparert av en kvalifisert fagperson som bare bruker originale reservedeler. Skadede ladere, kabler og støpsler øker faren for elektrisk støt.

- **Ikke bruk laderen på en lettantennelig overflate (for eksempel papir, tekstiler osv.) eller i brennbare omgivelser.** Det er fare for brann fordi laderen varmes opp under bruk.
- **Må bare lades med laderen som er spesifisert av produsenten.** En lader som passer til én batteripakke kan skape brannfare hvis den brukes med en annen batteripakke.
- **Ved skade på og feil bruk av batteriet kan det også komme ut damp.** Sørg for at området er godt ventilert, og oppsøk lege dersom du opplever negative virkninger. Dampen kan irritere respirasjonssystemet.
- **Hvis batteriet brukes feil, kan det komme væske ut av batteriet. Unngå kontakt med denne væsken. Skyll med vann hvis kontakt oppstår ved et uhell. Oppsøk lege hvis væsken kommer i kontakt med øynene.** Væske fra batteriet kan forårsake irritasjon eller brannskader.
- **Ikke dekk til ventilasjonsåpningene på laderen.** Hvis du gjør det, kan laderen bli overopphetet og slutte å fungere som den skal.
- **Hvis strømledningen må skiftes ut, må dette av sikkerhetshensyn utføres av Husqvarna eller et servicesenter som er autorisert til å reparere Husqvarna-elektroverktøy.**
- **Produkter som bare selges i Storbritannia:** Produktet er utstyrt med et BS 1363/A-godkjent støpselet med intern sikring (ASTA-godkjent iht. BS 1362). Hvis støpselet ikke passer til stikkontaktene, må det kuttes av, og et egnet støpselet må monteres i stedet av et autorisert kundeserviceverksted. Det nye støpselet skal ha samme sikringsstørrelse som det opprinnelige støpselet. Det avkuttete støpselet må kastes for å unngå fare for støt, og det må aldri settes inn i en stikkontakt et annet sted.



ADVARSEL: Hjertestans! Dette produktet danner et elektromagnetisk felt når det er i bruk. Dette feltet kan under visse forhold forstyrre aktive eller passive

medisinske implantater. For å redusere faren for forhold som kan føre til alvorlig eller livstruende skade, anbefaler vi at personer med medisinske implantater rådfører seg med sin lege og produsenten av det medisinske implantatet før dette produktet tas i bruk.



ADVARSEL: Fare for kvelning! Små deler kan svelges. Det er også fare for at plastposen kan forårsake kvelning hos små barn. Hold små barn på avstand når du monterer produktet.

Sikkerhetsinstruksjoner for vedlikehold



ADVARSEL: Les de følgende advarslene før du utfører vedlikehold på produktet.

- Fjern batteriet før du utfører vedlikehold, andre kontroller eller monterer produktet.
- Operatøren må bare utføre vedlikehold og service som refereres til i denne bruksanvisningen. Henvend deg til forhandleren for mer omfattende vedlikehold og service.
- Ikke rengjør batteriet eller batteriladeren med vann. Sterke vaskemidler kan skade platen.
- Hvis du ikke utfører vedlikehold, minsker levetiden til produktet og risikoen for ulykker øker.
- Det kreves spesiell opplæring for alt vedlikehold og reparasjonsarbeid, spesielt for sikkerhetsutstyret på produktet. Hvis ikke alle kontrollene i denne bruksanvisningen er godkjent etter at du har gjort vedlikehold, må du ta kontakt med serviceforhandleren. Vi garanterer at fagmessig reparasjon og service er tilgjengelig for produktet.
- Bruk bare originalreservedeler.

Montering

Innledning



ADVARSEL: Les og forstå kapittelet om sikkerhet før du monterer produktet.

Slik fester du trimmerskjermen

1. Sett trimmerdekslet mot motorhuset. (Fig. 32)
2. Sett inn de to boltene gjennom motorhuset og trimmerdekselet. (Fig. 33)
3. Trekk til boltene.

Slik monterer du trimmerhodet

1. Vri den utgående akselen rundt helt til hullet i drivskiven stemmer overens med hullet i girhuset.
2. Sett kombinasjonsverktøyet inn i hullet slik at riggrøret låses.
3. Drei trimmerhodet med urviseren. (Fig. 34)

Slik monterer du plantevernet

1. Fest plantevernet i hullene på motorhuset. (Fig. 35)
2. Sørg for at plantevernet kan bevege seg fritt forover og bakover. (Fig. 36)

Slik monterer du kroken på veggen

- Monter kroken innendørs.
- Hold kroken unna sollys og i omgivelsestemperatur på -10 til 70 °C.
- Monter kroken på en vegg av gips, tre eller betong.



OBS: Kontroller at veggen tåler belastninger på minst 30 kg.

- Monter kroken på veggen med de tre skruene (A). Bruk veggplugg (B) hvis det er nødvendig. (Fig. 37)



OBS: Kontroller at skruene passer til veggtypen din.

- Snakk med Husqvarna-serviceverkstedet hvis du vil ha informasjon om tilgjengelig oppbevaringstilbehør for produktet.

Drift

Innledning



ADVARSEL: Les og forstå kapittelet om sikkerhet før du bruker produktet.

Før du bruker produktet

- Undersøk arbeidsområdet for å gjøre deg kjent med terrenget. Undersøk skråningen på bakken og hvorvidt det finnes hindringer som steiner, greiner og grøfter.
- Utfør en generell inspeksjon av produktet.
- Utfør sikkerhetskontrollene, vedlikeholdet og servicen som er angitt i denne bruksanvisningen.
- Kontroller motoren med tanke på smuss eller sprekker. Bruk en børste til å fjerne gress og løv fra motoren. Bruk hansker når det er nødvendig.
- Undersøk trimmerhodet og beskyttelsen for skjæreutstyret for skader eller sprekker. Bytt ut trimmerhodet og beskyttelsen for skjæreutstyret hvis de har blitt utsatt for slag, eller hvis de har sprekker.
- Kontroller at alle mutre og skruer er trukket til.
- Kontroller at alt av deksler, beskyttelser, håndtak og skjæreutstyr er riktig festet og ikke er skadet, før du starter produktet.

Batteri



ADVARSEL: Før du bruker batteriet, må du lese og forstå kapittelet om sikkerhet. Du må også lese og forstå bruksanvisningen for batteriet og batteriladeren.

Batteriet og batteriladeren må oppbevares i riktig omgivelsestemperatur.

	Omgivelsestemperatur
Bruk av batteriet i produktet	-5 °C — 40 °C
Lade batteriet	0 °C — 35 °C

Slik lader du batteriet

Lad batteriet før første gangs bruk.

Merk: Batteriet lades ikke hvis batteritemperaturen er over +35 °C.

1. Koble strømledningen for batteriladeren til en jordet stikkontakt.



OBS: Kontroller at det er riktig spenning og frekvens.

2. Sett batteriet i batteriladeren. Batteriet er koblet til batteriladeren når den grønne indikatorlampen blinker. (Fig. 38)
3. Batteriet er fulladet når den grønne lampen på batteriladeren lyser kontinuerlig. Lad batteriet i maks. 24 timer.
4. Koble batteriladeren fra strømmettet.



OBS: Ikke dra i ledningen.

5. Fjern batteriet fra batteriladeren.

LED-lampe for batteristatus på batteriladeren

Den røde LED-lampen (A) og den grønne LED-lampen (B) på batteriladeren viser batteristatusen. Se *LED-lampe for batteristatus på produktet på side 339*.

(Fig. 39)

LED-lampe	Batteristatus
Grønn LED-lampe blinker raskt.	Batteriet lades.
Grønn LED-lampe blinker sakte.	Batteriet er 80 % ladet.
Grønn LED-lampe lyser kontinuerlig.	Batteriet er fullt oppladet.

LED-lampe	Batteristatus
Rød LED-lampe lyser kontinuerlig.	Se <i>LED-lampe for batteristatus på produktet på side 339.</i>
Rød LED-lampe blinker raskt.	Se <i>LED-lampe for batteristatus på produktet på side 339.</i>

LED-lampe for batteristatus på produktet

Når batteriet er installert i produktet, viser LED-lampene på produktet batteristatusen.

(Fig. 40)

LED	Batteristatus
LED-lampe 1, 2 og 3 lyser.	Fulladet.
LED-lampe 1 og 2 lyser.	Tilstrekkelig ladet
LED 1 lyser.	Lavt ladenivå i batteriet.
LED-lampe 1 blinker.	Batteriet er utladet. Batteristatuslampen blinker. Lad batteriet. Se <i>Slik lader du batteriet på side 338.</i>

Slik kobler du batteriet til produktet



ADVARSEL: Bruk bare batteriet med produkter fra POWER FOR ALL-systemet 18 V.

1. Kontroller at batteriet er fulladet.
2. Skyv batteriet inn i batteriholderen på produktet. Batteriet skal gli lett inn i batteriholderen. Hvis det ikke gjør det, er det ikke riktig installert.

(Fig. 41)

3. Batteriet låses på plass når du hører et klikk.

Hvordan robotklipperen startes

1. Trykk på og hold inne på/av-knappen til den grønne LED-lampen tennes. (Fig. 42)
2. Trykk på kraftutløserperren og kraftutløseren. Skjæreutstyret begynner å rotere.

Slik justerer du loophåndtaket og teleskopriggrøret

1. Trykk på knappen for justering av loophåndtak.

(Fig. 43)

2. Juster loophåndtaket til en passende vinkel.
3. Slipp knappen for justering av loophåndtak.
4. Løsne spaken på riggrøret. (Fig. 44)
5. Juster riggrøret til nødvendig lengde.
6. Lukk spaken, og trekk til skruen.

Merk: De to posisjonene til loophåndtaket i den følgende illustrasjonen er bare til transport og/eller oppbevaring.

(Fig. 45)

Funksjon for automatisk avslåing

Produktet har en automatisk avslåingsfunksjon som stopper produktet hvis produktet ikke brukes. Produktet slås av etter 3 minutter.

Slik bruker du produktet

Slik trimmer du gress

1. Hold trimmerhodet like over bakken, og vipp det lett. Ikke skyv trimmertråden ned i gresset. (Fig. 46)
2. Reduser lengden på trimmertråden med 8–10 cm/ 3,15–4 tommer.

Slik rydder du gress

1. Hold trimmerhodet over bakken.
2. Skråstill trimmerhodet.
3. Klipp med enden av trimmertråden rundt objekter i arbeidsområdet.



OBS: Klipp gress. Hvis trimmertråden treffer andre ting, øker slitasjen på trimmertråden.

Slik klipper du gress

1. Sørg for at trimmertråden er parallell med bakken når du klipper gresset. (Fig. 47)
2. Ikke dytt trimmerhodet ned i bakken. Dette kan skade produktet.
3. Flytt produktet fra side til side når du klipper gresset. (Fig. 48)

Slik samler du opp gresset

Luftstrømmen fra den roterende trimmertråden kan brukes til å fjerne gress fra et bestemt område.

1. Hold trimmerhodet og trimmertråden parallelt med og over bakken.

2. Beveg trimmerhodet fra side til side, og samle opp gresset.



ADVARSEL: Rengjør trimmerhodets deksel hver gang du monterer en ny trimmertråd for å forhindre ubalanse og vibrasjon i håndtakene. Utfør også en kontroll av de andre delene på trimmerhodet, og rengjør det om nødvendig.

2. Trykk inn start/stopp-knappen til den grønne LED-lampen slukkes.
3. Trykk på utløserknappene på batteriet, og ta batteriet ut av produktet. (Fig. 49)

Slik skifter du trimmertråd

Se siste side i denne bruksanvisningen.

Hvordan robotklipperen stoppes

1. Slipp kraftutløseren og kraftutløserperren.

Vedlikehold

Innledning



ADVARSEL: Les og forstå kapittelet om sikkerhet før du utfører vedlikehold på produktet.

Under følger en liste over vedlikeholdstrinnene som må utføres på produktet. Se *Vedlikehold på side 340* for mer informasjon.

Vedlikeholdsskjema



ADVARSEL: Fjern batteriet før du utfører vedlikehold.

Vedlikehold	Daglig	Ukentlig	Månedlig
Rengjør de utvendige delene av produktet med en tørr klut. Du må ikke bruke vann.	X		
Kontroller at start/stopp-knappen fungerer som den skal, og at den ikke er skadet.	X		
Kontroller at kraftutløseren og kraftutløserperren fungerer riktig med hensyn til sikkerhet.	X		
Pass på at alle kontrollene fungerer og ikke er skadet.	X		
Hold håndtakene tørre, rene og frie for olje og fett.	X		
Kontroller at skjæreutstyret ikke er skadet. Skift ut skjæreutstyret hvis det er skadet.	X		
Kontroller at skjæreutstyrebeskyttelsen ikke er skadet. Skift ut beskyttelsen for skjæreutstyret hvis den er skadet.	X		
Kontroller at skruer og mutre sitter stramt.	X		
Kontroller at utløserknappene på batteriet fungerer og låser batteriet i produktet.	X		
Kontroller at batteriladeren ikke er skadet, og at den fungerer som den skal.	X		
Kontroller at batteriet ikke er skadet.	X		
Kontroller at batteriet er ladet.	X		
Kontroller at batteriladeren ikke er skadet.	X		

Vedlikehold	Daglig	Ukentlig	Månedlig
Undersøk alle kabler, koblinger og forbindelser. Pass på at de er rene og ikke er skadet.		X	
Kontroller forbindelsene mellom batteriet og produktet. Kontroller forbindelsen mellom batteriet og batteriladeren.			X

Slik kontrollerer du batteriet og batteriladeren

1. Kontroller batteriet for skader, for eksempel sprekker.
2. Kontroller batteriladeren for skader, for eksempel sprekker.
3. Kontroller at strømledningen til batteriladeren ikke er skadet, og at det ikke er sprekker i den.

Slik rengjør du produktet, batteriet og batteriladeren

1. Rengjør produktet med en tørr klut etter bruk.
2. Rengjør batteriet og batteriladeren med en tørr klut. Hold batterisporene rene.
3. Kontroller at terminalene på batteriet og batteriladeren er rene før batteriet settes i batteriladeren eller produktet.

Slik undersøker og skifter du trimmerhodet

1. Kontroller trimmerhodet for skader og sprekker.
2. Vri den utgående akselen rundt helt til hullet i drivskiven stemmer overens med hullet i girhuset.
3. Sett kombinasjonsverktøyet inn i hullet slik at riggrøret låses.
4. Drei trimmerhodet mot urviseren.

(Fig. 50)

5. Bytt ut trimmerhodet.
6. Monter trimmerhodet. Se *Slik monterer du trimmerhodet på side 337*.

Feilsøking

Brukergrensesnitt

Problem	Mulige feil	Mulig løsning
Grønn LED-star- tlampe blinker.	Lav batterispenning	Lad batteriet.
Rød LED-feillampe blinker.	Overbelastning	Skjæreutstyret beveger seg ikke fritt. Løsne skjæreutstyret.
	Temperaturavvik	La produktet kjøle seg ned.
	Kraftregulatoren og startknappen trykkes på samtidig.	Slipp kraftregulatoren, og trykk på startknappen.
Grønn LED-lampe og rød LED-lampe blink- er vekselvis.	Batteriet er tomt.	Lad batteriet.
	Batteriet er skadet.	Ta kontakt med serviceforhandleren din.

Batterilader

Indikatorlampe på batteriladeren	Årsak	Løsning
Den grønne lampen lyser kontinuerlig, og den røde blinker.	Batteriet er ikke satt inn i batteriladeren på riktig måte.	Ta batteriet ut av laderen, og sett det inn i laderen igjen.
	Batterikontaktene er skitne.	Rengjør batterikontaktene.
	Omgivelsestemperaturen er for høy eller for lav.	Bruk batteriladeren ved temperaturer mellom 0 og +35 °C.
	Batteriet er defekt.	Skift batteriet.
Den grønne og den røde lampen er av.	Batteriladeren er ikke koblet til strømuttaket på riktig måte.	Koble batteriladeren til et strømuttak.
	Feil ved strømuttak.	Koble batteriladeren til den spenningen og frekvensen som er angitt på typeskiltet.
	Batteriladekabelen er defekt.	Ta kontakt med et godkjent serviceverksted.
	Batteriladeren er defekt.	
Andre feil.	Hvis det oppstår andre feil, må du passe på at produktet er slått av, ta ut batteriet og kontakte et godkjent serviceverksted.	

Transport, oppbevaring og avhending

Transport og oppbevaring

- De medfølgende litiumionbatteriene samsvarer med kravene i loven om farlige varer.
- Følg de spesifikke kravene på emballasje og etiketter for kommersiell transport, inkludert av tredjeparter og fraktleverandører.
- Snakk med en person med spesiell opplæring i farlige materialer før du sender produktet. Følg alle gjeldende nasjonale forskrifter.
- Bruk tape på åpne kontakter når du plasserer batteriet i en pakke. Pakk batteriet stramt for å hindre bevegelse.
- Fjern batteriet ved lagring og transport.
- Oppbevar batteriet og batteriladeren på et sted som er tørt og fri for fukt og frost.
- Batteriet må ikke oppbevares på steder der det kan forekomme statisk elektrisitet. Ikke oppbevar batteriet i en metallkasse.
- Oppbevar batteriet i temperaturer mellom -20 °C/-4 °F og +50 °C/122 °F og unna direkte sollys.
- Oppbevar batteriladeren i temperaturer mellom 5 °C (41 °F) og 45 °C (113 °F) og unna direkte sollys.
- Oppbevar produktet på et sted der temperaturen er på mellom -40 °C/-40 °F og +60 °C/140 °F.

- Bruk batteriladeren bare i temperaturer mellom 0 °C/32 °F og 35 °C/95 °F.
- Lad opp batteriet til 30–50 % før du setter det til oppbevaring i lange perioder.
- Oppbevar batteriladeren på et sted som er lukket og tørt.
- Hold batteriet og batteriladeren separert under oppbevaring. Ikke la barn eller andre uautoriserte personer røre utstyret. Oppbevar utstyret i et område som kan låses.
- Rengjør produktet og utfør en fullstendig service før du setter det til oppbevaring i lang tid.
- Bruk transportbeskyttelsen på produktet for å unngå personskader eller skade på produktet under transport og oppbevaring.
- Fest produktet på en sikker måte under transport.
- Oppbevar produktet horisontalt, eller heng det på kroken som følger med. Se *Slik monterer du kroken på veggen på side 338*.

(Fig. 51)

Kassering av batteri, batterilader og produktet

Symbolet nedenfor indikerer at produktet er ikke husholdningsavfall. Resirkuler det på et

gjenvinningsanlegg for elektrisk og elektronisk utstyr.
Dette bidrar til å forhindre miljøskader og personskader.

Snakk med lokale myndigheter, det lokale
renovasjonsvesenet eller forhandleren hvis du ønsker
mer informasjon.

(Fig. 18)

Merk: Symbolet vises på produktet eller produktets
emballasje.

Tekniske data

Tekniske data

	Aspire T28-P4A
Motor	
Motorstype	PMDC
Turtall på utgående aksel, o/min	6800
Klippebredde, mm	280
Vekt	
Vekt uten batteri, kg	2,6
Vekt med batteri (P4A 18-B45 / P4A 18-B70), kg	3,0 / 3,3
Støyutslipp ⁴⁹	
Lydeffektnivå, målt dB (A)	85
Lydeffektnivå, garantert L_{WA} dB (A)	88
Lydnivåer ⁵⁰	
Ekvivalent lydtryknivå ved brukerens øre, målt i henhold til EN ISO 50636-2-91, dB(A)	73
Vibrasjonsnivåer ⁵¹	
Vibrasjonsnivåer i håndtak, målt i henhold til EN50636-2-91, m/s^2	2,26/1,61
Utstyrt med trimmerhode (original), foran/bak.	

Batteri	P4A 18-B45	P4A 18-B72
Type	Litium-ion	Litium-ion
Batterikapasitet, Ah	Se etiketten for batterikapasitet	Se etiketten for batterikapasitet
Nominell spenning, V	18	18
Vekt, kg	0,4	0,7

⁴⁹ Utslipp av støy til omgivelsene målt som lydeffekt (L_{WA}) samsvarer med EF-direktiv 2000/14/EF. Forskjellen mellom garantert og målt lydeffekt er at garantert lydeffekt også omfatter spredning i måleresultatet og variasjoner mellom forskjellige produkter av samme modell, i henhold til direktivet 2000/14/EF.

⁵⁰ Rapporterte data for ekvivalent lydtryknivå for maskinen har en typisk statistisk spredning (standardavvik) på 3 dB(A).

⁵¹ Rapporterte data for vibrasjonsnivå har en typisk statistisk spredning (standardavvik) på 1,5 m/s^2 .

Batterilader	P4A 18-C70
Nettspenning, V	220–240
Frekvens, Hz	50–60
Effekt, W	70
Utgangsspenning, V DC Ampere, A	14,4-18 / 3

Tilbehør

Godkjent tilbehør

Godkjent tilbehør	Type	Beskyttelse for skjærestyr, Art.nr.
Trimmerhode	A15B M5 (Ø 1,6 mm tråd)	536 47 32-01

Samsvarserklæring

EU-samsvarserklæring

Vi, **Husqvarna AB**, SE-561 82 Huskvarna, Sverige, tlf.:
+46 36 146500, erklærer på eget ansvar at produktet:

Beskrivelse	Batteritrimmer
Merke	Husqvarna
Type/modell	Aspire T28-P4A
ID	Serienumre datert 2023 og senere

fullstendig overholder følgende EU-direktiver og
-forskrifter:

Direktiv/regulering	Beskrivelse
2006/42/EC	«angående maskiner»
2014/30/EU	«om elektromagnetisk kompatibilitet»
2000/14/EC	«angående utslipp av støy til omgivelsene»
2011/65/EU	«om begrensning av bruk av visse farlige stoffer i elektrisk og elektronisk utstyr»

og at følgende standarder og/eller tekniske
spesifikasjoner er anvendt: EN 60335-1:2012/A15:2021,
EN 50636-2-91:2014, EN IEC 63000:2018, EN IEC
55014-1:2021; EN IEC 55014-2:2021.

Kontrollorgan: 0158 DEKRA Testing and Certification
GmbH, Handwerkstraße 15, 70565 Stuttgart, Germany
Har bekreftet samsvar med rådsdirektivet 2000/14/EF,
prosedyre for overensstemmelsesvurdering: Vedlegg VI.

For informasjon som gjelder støyutslipp, kan du se
Tekniske data på side 343.

Huskvarna, 2023-12-14



Claes Losdal, FoU-leder, Husqvarna AB

Ansvarlig for teknisk dokumentasjon



Lisenser

Copyright © 2012–2020 STMicroelectronics

Garantien dekker ikke feil som er resultatet av normal slitasje, uaktsomhet, defekt bruk, uautorisert reparasjon eller av at sugeapparat kobles til feil spenning.

Med enerett.

Redistribusjon og bruk i kilde- og binærform, med eller uten endring, er tillatt forutsatt at følgende vilkår er oppfylt:

- Redistribusjon av kildekode må inneholde opphavsrettmerkningen ovenfor, denne listen med vilkår og ansvarsfraskrivelsen nedenfor.
- Redistribusjon i binær form må reprodusere opphavsrettmerkningen ovenfor, denne listen med vilkår og ansvarsfraskrivelsen nedenfor i dokumentasjonen eller annet materiale som følger med i distribusjonen.
- Verken navnet på STMicroelectronics eller navnene på bidragsyterne kan brukes til å bifalle eller promotere produkter som er avledet av denne programvaren, uten en uttrykkelig forhåndsinnhentet skriftlig tillatelse.

Denne programvaren leveres av opphavsretthaverne og bidragsyterne uten noen form for garanti. Alle uttrykte eller underforståtte garantier, herunder underforståtte garantier om salgbarhet og egnethet for et bestemt formål, fraskrives. Ikke under noen omstendigheter skal eieren av opphavsretten eller bidragsyterne holdes ansvarlige for eventuelle direkte, indirekte, tilfeldige, spesielle, straffemessige skader eller følgeskader (herunder anskaffelse av erstatningsvarer eller -tjenester, tap av bruk, data eller tjeneste eller avbrudd i forretningsdriften) uansett årsak og erstatningsjuss, uansett om det gjelder kontrakt, ansvar eller skadevoldende handling (inkludert uaktsomhet eller på annen måte) som oppstår på noen måte som følge av bruk av denne programvaren, selv om det er opplyst om muligheten for slik skade.

Apache 2.0-lisens

Copyright © 2009-2019 Arm Limited. Med enerett.

Versjon 2.0, januar 2004 <http://www.apache.org/licenses/>

Vilkår for bruk, reproduksjon og distribusjon

1. Definisjoner.

Lisens betyr vilkårene for bruk, reproduksjon og distribusjon som definert i delene 1 til 9 i dette dokumentet. **Lisensgiver** betyr eieren av opphavsretten eller enheten som er autorisert av eieren av opphavsretten, som gir lisensen. **Juridisk enhet** betyr samlingen av den fungerende enheten og alle andre enheter som kontrollerer, kontrolleres av eller er under felles kontroll med denne enheten. I sammenheng med denne definisjonen betyr **kontroll** (i) makten, direkte eller

indirekte, til å bestemme retningen eller ledelsen av en slik enhet, enten gjennom kontrakt eller på annen måte eller (ii) eierskap på femti prosent (50 %) eller mer av utestående aksjer eller (iii) begunstiget av en slik enhet.

Du (med alle bøyingsformer) betyr en enkeltperson eller juridisk enhet som benytter tillatelsene som er gitt i denne lisensen. **Kilde**-form betyr den foretrukne måten å gjøre endringer på, herunder programvarekildkode, dokumentasjonskilde og konfigurasjonsfiler. **Objekt**-form betyr enhver utforming som er et resultat av mekanisk transformasjon eller oversettelse av en kildeform, herunder kompilert objektkode, generert dokumentasjon og konverteringer til andre medietyper. **Verk** betyr åndsverket, uansett om det er i kilde- eller objektform, som er gjort tilgjengelig gjennom lisensen, som angitt av en merknad om opphavsrett som er inngår i eller er knyttet til verket (et eksempel er gitt i vedlegget nedenfor). **Avledede verk** betyr alle verk, enten det er i kilde- eller objektform, som er basert på (eller avledet av) verket. Redaksjonelle revisjoner, kommentarer, utdypninger eller andre modifikasjoner av verket utgjør i sin helhet et originalt åndsverk. Med hensyn til denne lisensen skal ikke avledede verk omfatte verk som er adskillbare fra, eller som kun kobles (eller knyttes gjennom navn) til verket og avledede verk av det.

Bidrag betyr ethvert åndsverk, inkludert den opprinnelige versjonen av verket og eventuelle endringer eller tillegg til verket eller avledede verk av det, som med hensikt sendes til lisensgiver for inkludering i verket av eieren av opphavsretten eller av en enkeltperson eller juridisk enhet som er autorisert til sending på vegne av eieren av opphavsretten. I denne definisjonen betyr **sendes** enhver form for elektronisk, muntlig eller skriftlig kommunikasjon som sendes til lisensgiveren eller dennes representanter, herunder kommunikasjon på elektroniske postlister, kildekodekontrollsystemer og systemer for problemsporing som administreres av eller på vegne av lisensgiveren med formål om å drøfte og forbedre verket, men unntatt kommunikasjon som tydelig merkes eller på annen måte er angitt skriftlig av eieren av opphavsretten som **«ikke et bidrag»**. **Bidragsyter** betyr lisensgiver og alle enkeltpersoner eller juridiske enheter som mottar et bidrag av lisensgiver og som deretter innlemmes i verket.

2. Tildeling av opphavsrettslisens.

I henhold til vilkårene i denne lisensen gir hver bidragsyter deg herved en varig, verdensomspennende, ikke-eksklusiv, kostnadsfri, royalty-fri, ugjenkallelig opphavsrettslisens til å reprodusere, lage avledede verk av, vise offentlig, fremføre offentlig, viderelelisensiere og distribuere verket og slike avledede verk i kilde- eller objektform.

3. Tildeling av patentlisens.

I henhold til vilkårene i denne lisensen gir hver bidragsyter deg herved en varig, verdensomspennende,

ikke-eksklusiv, kostnadsfri, royalty-fri, ugjenkallelig (med de unntak som er angitt i denne delen) patentlisens å lage, ha laget, bruke, tilby salg av, selge, importere og på annen måte overdra verket, der en slik lisens kun gjelder for de patentkrav som er lisensierbare fra en slik bidragsyter, og som nødvendigvis krenkes kun gjennom deres bidrag eller gjennom en kombinasjon av deres bidrag med verket som et slikt bidrag ble sendt til. Hvis du iverksetter patentrettsvister mot en enhet (inkludert krysskrav eller motkrav i et søksmål) som påstår at verket eller et bidrag som er innarbeidet i verket, utgjør direkte eller medvirkende brudd på patentrettigheter, skal alle patentlisenser du har fått i henhold til denne lisensen for det aktuelle verket, dermed opphøre fra og med datoen da et slikt søksmål fremmes.

4. Redistribusjon.

Du kan reproducere og distribuere kopier av verket eller avledede verk av det i alle medier, med eller uten endringer, og i kilde- eller objektform, forutsatt at du oppfyller følgende betingelser:

- Du må gi andre mottakere av verket eller avledede verk en kopi av denne lisensen og
- du må sørge for at eventuelle endrede filer har tydelige merknader som slår fast at du har endret filene, og du må beholde, i kildeform i avledede verk som du distribuerer, alle merknader om opphavsrett, patent, varemerke og tilskrivelse fra verkets kildeform, med unntak av de merknadene som ikke gjelder noen del av det avledede verket, og
- hvis verket inneholder en «**MERKNAD**» -tekstfil som en del av distribusjonen, må eventuelle avledede verk du distribuerer, inkludere en lesbar kopi av tilskrivningsmerknadene i denne MERKNAD-filen, med unntak av de merknadene som ikke gjelder for noen del av det avledede verket, på minst ett av følgende steder: I en MERKNAD-tekstfil som distribueres som en del av avledede verk, i kildeform eller -dokumentasjon, hvis det leveres sammen med det avledede verket eller i en visning generert av det avledede verket, hvis og hvor slike tredjepartsmerknader vanligvis vises. Innholdet i MERKNAD-filen er kun til informasjon og endrer ikke lisensen. Du kan legge til dine egne tilskrivningsmerknader i avledede verk som du distribuerer, sammen med eller som et tillegg til MERKNAD-teksten fra verket, forutsatt at slike tilskrivningsmerknader ikke kan tolkes som endring av lisensen. Du kan legge til din egen erklæring om opphavsrett i endringene dine og du kan gi ytterligere eller ulike lisensvilkår for bruk, reproduksjon eller distribusjon av endringene dine, eller for ethvert slik avledet verk som helhet, forutsatt at din bruk, reproduksjon og distribusjon av verket ellers er i samsvar med vilkårene i denne lisensen.

5. Innsending av bidrag.

Med mindre du uttrykkelig oppgir noe annet, skal ethvert bidrag som med hensikt er sendt inn for å inkluderes i verket av deg til lisensgiveren, være i henhold til vilkårene i denne lisensen, uten ytterligere vilkår. Til tross for det ovenstående skal ingenting i dette dokumentet avløse eller endre vilkårene i en separat lisensavtale du måtte ha inngått med lisensgiver angående slike bidrag.

6. Varemerker.

Denne lisensen gir ikke tillatelse til å bruke handelsnavnene, varemerkene, servicemerkene eller produktnavnene til lisensgiveren, med mindre det er nødvendig for rimelig og vanlig bruk for å beskrive opprinnelsen til verket og reproducere innholdet i MERKNAD-filen.

7. Ansvarsfraskrivelse for garanti.

Med mindre det kreves av gjeldende lov eller er skriftlig avtalt, stiller lisensgiver verket (og enhver bidragsyter gir sitt bidrag) til rådighet uten noen form for garanti, verken uttrykt eller innforstått, herunder eventuelle garantier eller vilkår om eiendomsrett, ikke-krenkelse, salgbarhet, eller egnethet for et bestemt formål. Du er alene ansvarlig for å fastslå hensiktsmessigheten av å bruke eller redistribuere verket og påtar deg eventuelle risikoer som er knyttet til din utøvelse av tillatelser gitt i denne lisensen. 8. Ansvarsbegrensning. Ikke under noen omstendigheter eller under noen juridisk metode, enten det er forvoldt (inkludert uaktsomhet), i kontrakt eller annet, med mindre gjeldende lov krever det (som forsett og grov uaktsomhet) eller skriftlig avtalt, skal noen bidragsyter være ansvarlig overfor deg for skader, inkludert direkte, indirekte, spesielle, tilfældige eller følgeskader i alle former som oppstår som følge av denne lisensen eller som følge av bruk eller manglende mulighet til å bruke verket (herunder skader for tap av goodwill, arbeidsstans, datamaskinvikt eller -feil eller alle andre kommersielle skader eller tap), selv om en slik bidragsyter er informert om muligheten for slike skader.

9. Aksept av garanti eller tilleggsansvar.

Når du redistribuerer verket eller avledede verk av det, kan du velge å tilby og kreve et gebyr for aksept av støtte, garanti, erstatning eller andre ansvarsforpliktelser eller rettigheter i samsvar med denne lisensen. Når du aksepterer slike forpliktelser, kan du imidlertid bare handle på egne vegne og på eget ansvar, ikke på vegne av noen annen bidragsyter, og bare hvis du samtykker i å erstatte, forsvare og holde enhver bidragsyter skadesløs for ethvert ansvar du har pådratt deg, eller for krav som fremsettes mot en slik bidragsyter på grunn av din aksept av en slik garanti eller tilleggsansvar. Slutt på vilkårene

SPIS TREŠCI

Wstęp.....	348	Transport, przechowywanie i utylizacja.....	362
Bezpieczeństwo.....	350	Dane techniczne.....	363
Montaż.....	357	Akcesoria.....	364
Przeznaczenie.....	358	Deklaracja zgodności.....	365
Przegląd.....	360	Licencje.....	366
Rozwiązywanie problemów.....	361	Załącznik	507

Wstęp

Opis produktu

Husqvarna Aspire T28-P4A to akumulator do podkaszarki do trawy z silnikiem elektrycznym.

Nieustannie prowadzone są prace w celu zwiększenia bezpieczeństwa użytkownika i wydajności pracy. Dodatkowe informacje można uzyskać w centrum serwisowym.

Przeznaczenie

Produkt jest używany z głowicą żyłkową do koszenia trawy. Nie używać produktu do innych zadań niż przycinanie trawy i wykaszanie trawy.

Przegląd produktu

(Rys. 1)

1. Głowica żyłkowa
2. Osłona osprzętu tnącego
3. Pręt odsuwający rośliny
4. Regulacja wałka (teleskopowego)
5. Wałek
6. Uchwyt pałkowy
7. Pokrywa serwisowa
8. Przycisk regulacji uchwytu pałkowego
9. Interfejs użytkownika
10. Kontrolka ostrzegawcza
11. Wskaźnik poziomu naładowania
12. Przycisk wł./wyl.
13. Manetka gazu
14. Blokada manetki gazu
15. Akumulator (P4A 18-B45)
16. Przycisk odłączania akumulatora
17. Akumulator (P4A 18-B72)
18. Ładowarka do akumulatora (P4A 18-C70)
19. Złącze
20. Wskaźnik włączonego zasilania i ostrzegawczy
21. Narzędzie wielofunkcyjne
22. Hak ścienny
23. Śruby i kołki rozporowe do haka ściennego
24. Instrukcja obsługi

Uwaga: Przepisy krajowe mogą ograniczać możliwość użycia tego produktu.

Skrócona instrukcja

Aby uzyskać porady dotyczące korzystania z produktu, należy zeskanować kod QR.

(Rys. 20)

Symbole znajdujące się na produkcie

- (Rys. 2) OSTRZEŻENIE: Produkt może spowodować poważne obrażenia ciała lub śmierć operatora lub innych osób. Należy zachować ostrożność i prawidłowo korzystać z produktu.
- (Rys. 3) Przed przystąpieniem do pracy należy dokładnie i ze zrozumieniem zapoznać się z treścią niniejszej instrukcji obsługi.
- (Rys. 4) Stosować środki ochrony oczu.
- (Rys. 5) Chronić przed deszczem.
- (Rys. 6) Etykieta emisji hałasu do środowiska zgodnie z dyrektywami oraz przepisami UE i Wielkiej Brytanii, a także przepisami Nowej Południowej Walii „Protection of the Environment Operations (Noise Control) Regulation 2017”. Gwarantowany poziom mocy akustycznej urządzenia jest określony w *Dane techniczne na stronie 363*.
- (Rys. 7) Przed przystąpieniem do konserwacji odłączyć akumulator.
- (Rys. 8) Tego produktu ani opakowania nie można traktować jak odpadów domowych. Należy poddawać je recyklingowi w

	zatwierdzonym punkcie zbiórki sprzętu elektrycznego i elektronicznego.	(Rys. 9)	Należy uważać na odrzucane przedmioty.
(Rys. 9)	Należy uważać na odrzucane przedmioty.	(Rys. 10)	Nie stosować metalowych ostrzy.
(Rys. 10)	Nie stosować metalowych ostrzy.	(Rys. 11)	Urządzenie jest zgodne z odpowiednimi dyrektywami UE.
(Rys. 11)	Urządzenie jest zgodne z odpowiednimi dyrektywami UE.	(Rys. 13)	Prąd stały.
(Rys. 12)	Urządzenie jest zgodne z przepisami obowiązującymi w Wielkiej Brytanii.	(Rys. 17)	Odległość między maszyną a osobami postronnymi powinna wynosić co najmniej 15 m (50 stóp).
(Rys. 13)	Prąd stały.	yyyywwxxxx	Tabliczka znamionowa lub laserowy nadruk zawiera numer seryjny. yyyy to rok produkcji, a ww oznacza tydzień produkcji.
(Rys. 17)	Odległość między maszyną a osobami postronnymi powinna wynosić co najmniej 15 m (50 stóp).		
yyyywwxxxx	Tabliczka znamionowa lub laserowy nadruk zawiera numer seryjny. yyyy to rok produkcji, a ww oznacza tydzień produkcji.		

Symbole znajdujące się na produkcie

(Rys. 2)	OSTRZEŻENIE: Produkt może spowodować poważne obrażenia ciała lub śmierć operatora lub innych osób. Należy zachować ostrożność i prawidłowo korzystać z produktu.
(Rys. 3)	Przed przystąpieniem do pracy należy dokładnie i ze zrozumieniem zapoznać się z treścią niniejszej instrukcji obsługi.
(Rys. 4)	Stosować środki ochrony oczu.
(Rys. 5)	Chronić przed deszczem.
(Rys. 6)	Etykieta emisji hałasu do środowiska zgodna z dyrektywami oraz przepisami UE i Wielkiej Brytanii (a także prawem Nowej Południowej Walii). Dane dotyczące emisji hałasu można znaleźć na etykiecie maszyny oraz w rozdziale „Dane techniczne”.
(Rys. 7)	Przed przystąpieniem do konserwacji odłączyć akumulator.
(Rys. 8)	Tego produktu ani opakowania nie można traktować jak odpadów domowych. Należy poddawać je recyklingowi w zatwierdzonym punkcie zbiórki sprzętu elektrycznego i elektronicznego.

Symbole na akumulatorze i/lub na ładowarce.

(Rys. 18)	Należy poddać urządzenie recyklingowi w punkcie zbiórki sprzętu elektrycznego i elektronicznego. (Dotyczy tylko Europy)
(Rys. 19)	Akumulatora należy używać wyłącznie w produktach partnerów systemu POWER FOR ALL.
(Rys. 14)	Bezpieczny transformator.
(Rys. 15)	Ładowarkę używać i przechowywać wyłącznie wewnątrz.
(Rys. 16)	Podwójna izolacja.

Uszkodzenie produktu

Nie odpowiadamy za uszkodzenia naszego produktu, w przypadku gdy:

- produkt jest nieprawidłowo naprawiany.
- produkt jest naprawiany przy użyciu części nie pochodzących od producenta lub niezatwierdzonych przez producenta.
- produkt jest wyposażony w akcesoria nie pochodzące od producenta lub niezatwierdzone przez producenta.
- produkt nie jest naprawiany w autoryzowanym centrum serwisowym lub przez autoryzowaną placówkę.

Bezpieczeństwo

Definicje dotyczące bezpieczeństwa

Ostrzeżenia, uwagi i informacje są używane do zwrócenia uwagi na szczególnie ważne sekcje instrukcji obsługi.



OSTRZEŻENIE: Jest używane, gdy istnieje ryzyko poważnych obrażeń, śmierci operatora lub uszkodzenia otoczenia w wyniku nieprzestrzegania instrukcji obsługi.



UWAGA: Jest używane, gdy istnieje ryzyko uszkodzenia materiałów lub urządzenia w wyniku nieprzestrzegania instrukcji obsługi.

Uwaga: Stosuje się, aby przekazać więcej informacji, które są przydatne w danej sytuacji.

OGólne ostrzeżenia dotyczące bezpieczeństwa podczas korzystania z narzędzi elektrycznych



OSTRZEŻENIE: Przeczytać dokładnie wszystkie ostrzeżenia i instrukcje. Niezastosowanie się do ostrzeżeń i instrukcji może spowodować porażenie prądem i/lub poważne obrażenia.

Uwaga: Należy zachować wszystkie ostrzeżenia i instrukcje, aby móc skorzystać z nich w przyszłości.

Termin „elektronarzędzie” używany w ostrzeżeniach dotyczy narzędzia zasilanego prądem z sieci elektrycznej (przewodowego) lub narzędzia zasilanego z akumulatora (beprzewodowego).

Kontrola przed uruchomieniem

- Zawsze wyjmować akumulator, aby zabezpieczyć produkt przed przypadkowym uruchomieniem. Zawsze wyjmować akumulator przed wykonywaniem jakichkolwiek czynności konserwacyjnych na produkcie.
- Przed użyciem produktu i po każdym uderzeniu należy sprawdzić go pod kątem oznak zużycia lub uszkodzenia i w razie potrzeby naprawić.
- Dokonać inspekcji obszaru pracy. Usunąć wszystkie porzucone przedmioty, jak kamienie, szkło, gwoździe, druty, sznurki i inne, które mogą zostać

odrzucone przez maszynę lub zaplątać się na przecinarce lub jej osłonie.

- Sprawdzić, czy nie ma pęknięć lub zanieczyszczeń na silniku. Za pomocą szczotki oczyścić silnik z trawy i liści. Rękawic należy używać wtedy, kiedy to jest konieczne.
- Sprawdzić, czy głowica żyłkowa jest przytwierdzona do wykaszarki.
- Sprawdzić, czy produkt działa prawidłowo. Sprawdzić, czy dokręcone są wszystkie śruby i nakrętki.
- Skontrolować, czy głowica żyłkowa i osłona przeciwoodpryskowa nie są uszkodzone ani pęknięte. Głowicę żyłkową lub osłonę przeciwoodpryskową, które zostały uderzone lub na których występują pęknięcia należy wymienić na nowe. Zawsze stosować osłonę zalecaną dla danego osprzętu tnącego. Patrz rozdział Dane techniczne.
- Użytkownik produktu jest zobowiązany dopilnować, aby podczas pracy żadne osoby postronne ani zwierzęta nie znajdowały się w odległości mniejszej niż 15 m. Jeśli w tym samym miejscu pracuje kilku użytkowników, odległość między nimi powinna wynosić co najmniej 15 m.
- Przed użyciem maszyny dokonaj jej ogólnego przeglądu. Patrz plan konserwacji.
- Użytkowanie regulują przepisy państwowe lub lokalne. Należy przestrzegać odpowiednich przepisów

Bezpieczeństwo miejsca pracy

- **Miejsce pracy powinno być czyste i dobrze oświetlone.** Miejsca hałaśliwe lub ciemne sprzyjają wypadkom.
- **Nie należy używać narzędzi elektrycznych w atmosferze wybuchowej, takiej jak w przypadku obecności cieczy palnych, gazów lub pyłów.** Narzędzia elektryczne wytwarzają iskry, które mogą spowodować zapłon pyłów lub oparów.
- **Podczas pracy z użyciem narzędzia elektrycznego należy trzymać dzieci i osoby przechodzące z daleka.** Odwrócenie uwagi może spowodować utratę kontroli nad narzędziem.

Zasady bezpieczeństwa – elektryczność

- **Wtyczki narzędzi elektrycznych muszą odpowiadać gniazdom. Zabrania się dokonywania przeróbek wtyczki. Nie należy stosować adapterów w przypadku uziemionych narzędzi elektrycznych.** Nieprzerobione wtyczki i dopasowane gniazdzka pozwalają zredukować ryzyko porażenia prądem.
- **Należy unikać kontaktu ciała z powierzchniami uziemionymi, takimi jak rury, grzejniki, kuchenki**

i lodówki. Uziemienie ciała powoduje zwiększenie ryzyka porażenia prądem.

- **Nie należy wystawiać narzędzi elektrycznych na działanie deszczu lub wilgoci.** Woda, która przedostanie się do narzędzia elektrycznego, zwiększa ryzyko porażenia elektrycznego.
- **Nie niszczyć przewodu. Nigdy nie korzystać z przewodu do przenoszenia, ciągnięcia lub odłączania narzędzia elektrycznego. Przewód należy utrzymywać z dala od źródeł ciepła, olejów, ostrych krawędzi lub ruchomych części.** Uszkodzone lub splecione kable zwiększają zagrożenie porażenia prądem.
- **Używając narzędzia elektrycznego na zewnątrz budynków, należy korzystać z odpowiedniego przedłużacza.** Stosowanie przewodu przeznaczonego do użytku na zewnątrz budynków pozwala ograniczyć ryzyko porażenia prądem.
- **Jeśli nieuniknione jest użycie narzędzia w warunkach dużej wilgotności, należy zastosować zasilanie chronione wyłącznikiem różnicowo-prądowym (RCD).** Korzystanie z wyłącznika różnicowo-prądowego (RCD) zmniejsza ryzyko porażenia prądem.

Bezpieczeństwo osób

- **Używając narzędzi elektrycznych, należy zachować skupienie, obserwować wykonywane czynności i kierować się zdrowym rozsądkiem. Nie należy używać narzędzi elektrycznych, kiedy operator jest zmęczony lub pod wpływem działania narkotyków, alkoholu lub leków.** Moment nieuwagi podczas pracy z narzędziem elektrycznym może spowodować poważne obrażenia ciała.
- **Stosować środki ochrony osobistej. Należy zawsze stosować środki ochrony wzroku.** Sprzęt ochronny, taki jak maski, antypoślizgowe buty robocze, kask lub środki ochrony słuchu stosowane w odpowiednich warunkach pozwalają obniżyć ryzyko odniesienia obrażeń.
- **Należy zapobiec niezamierzonemu rozruchowi. Przed podłączeniem do źródła zasilania i/lub baterii, podnoszenia lub przenoszenia narzędzia, należy upewnić się, że przełącznik jest w pozycji WYŁ.** Przenoszenie narzędzi z palcem na przełączniku lub przenoszenie narzędzi pod napięciem, które mają przełącznik w pozycji włączone, sprzyja wypadkom.
- **Przed włączeniem narzędzia elektrycznego należy usunąć wszelkie klucze.** Klucz pozostawiony przy części wirującej narzędzia może spowodować obrażenia ciała.
- **Nie należy się nadmiernie wyciągać. Przez cały czas należy zachowywać właściwe ustawienie stóp i równowagę.** Pozwala to na lepszą kontrolę narzędzia elektrycznego w sytuacjach nieprzewidzianych.
- **Należy odpowiednio się ubierać. Nie zakładać luźnej odzieży ani biżuterii. Włosy oraz ubranie należy trzymać z dala od elementów ruchomych.** Luźne

ubranie, biżuteria lub długie włosy mogą zostać pochwycone przez elementy ruchome.

- **Jeśli dołączone jest wyposażenie służące do podłączenia urządzeń odprowadzających i gromadzących pył, należy zadbać o jego podłączenie i właściwie używanie.** Stosowanie urządzeń odprowadzających pył może ograniczyć zagrożenia związane z obecnością pyłu.
- **Częste używanie urządzeń nie zwalnia operatora z obowiązku zachowania czujności i przestrzegania zasad bezpieczeństwa podczas korzystania z produktu.** Nierozważne działanie może doprowadzić do poważnych obrażeń w ułamku sekundy.
- **Poziomy wibracji występujące podczas pracy, mogą różnić się od wartości zadeklarowanych, co jest zależne od sposobu używania narzędzia.** Operatorzy powinni zidentyfikować zagrożenia oraz zastosować środki ochrony osobistej tak, aby uzyskać odpowiednią ochronę (należy wziąć pod uwagę cały cykl operacyjny np. także czas, gdy urządzenie jest wyłączone lub pracuje na wolnych obrotach).

Użytkowanie i konserwacja narzędzia elektrycznego

- **Nie należy wysilać nadmiernie narzędzia. Używać narzędzia elektrycznego dopasowanego do zastosowania.** Właściwe narzędzie zasilane pozwoli lepiej i bezpieczniej wykonać pracę, do której zostało przeznaczone.
- **Nie należy używać narzędzia elektrycznego, jeśli przełącznik nie może go włączyć lub wyłączyć.** Jeśli narzędzie zasilane nie może być kontrolowane za pomocą wyłącznika, jest ono niebezpieczne i musi być oddane do naprawy.
- **Przed dokonaniem jakichkolwiek regulacji, zmianą akcesoriów lub odłożeniem do przechowywania odłączyć wtyczkę od źródła zasilania i/lub wyjąć akumulator z narzędzia, jeśli jest taka możliwość.** Takie działanie zapobiegawcze redukuje ryzyko przypadkowego uruchomienia narzędzia.
- **Należy przechowywać nieużywane narzędzia elektryczne poza zasięgiem dzieci i nie pozwalać osobom nie zaznajomionym z narzędziami elektrycznymi lub niniejszymi instrukcjami ich obsługiwać.** Narzędzia zasilane są niebezpieczne w rękach nieprzeszkolonych użytkowników.
- **Konserwacja narzędzi elektrycznych i akcesoriów. Należy sprawdzić ustawienie w osi elementów mocujących lub ruchomych, uszkodzenia części i inne warunki, które mogą mieć wpływ na działanie narzędzia elektrycznego.** W przypadku uszkodzenia narzędzie zasilane należy naprawić przed użyciem. Wiele wypadków spowodowanych jest przez niewłaściwą konserwację narzędzi elektrycznych.
- **Narzędzia tnące należy utrzymywać w stanie naostrzonym i czystym.** Właściwie konserwowane narzędzia tnące, z ostrymi krawędziami tnącymi dają mniejsze prawdopodobieństwo zacinania i łatwiej je kontrolować.

- **Narzędzia elektryczne, oprzyrządowanie i końcówki powinny być używane zgodnie z niniejszymi instrukcjami, biorąc pod uwagę warunki robocze oraz zadanie, jakie należy wykonać.** Korzystanie z narzędzia zasilanego do zadań innych, niż te, do których jest przeznaczone, może być niebezpieczne.
- **Utrzymywać uchwyty i powierzchnie do chwytania w stanie suchym, czystym oraz wolnym od smaru i oleju.** Śliskie uchwyty i powierzchnie do chwytania nie pozwalają na bezpieczną obsługę i kontrolę narzędzia w nieoczekiwanych sytuacjach.

Użytkowanie i konserwacja narzędzia elektrycznego zasilanego akumulatorem

- **Ładować jedynie za pomocą ładowarki wskazanej przez producenta.** Ładowarka przeznaczona do jednego rodzaju akumulatora może grozić pożarem w przypadku wykorzystania jej do ładowania innego rodzaju akumulatora.
- **Urządzeń należy używać wyłącznie w połączeniu z określonym rodzajem akumulatorów.** Użycie akumulatorów innego rodzaju może stworzyć zagrożenie obrażeniami ciała i pożarem.
- **Kiedy akumulator nie jest używany, należy przechowywać go z dala od innych metalowych przedmiotów, takich jak spinacze do papieru, monety, klucze, gwoździe i śruby oraz innych niewielkich metalowych przedmiotów, które mogłyby połączyć dwa zaciski akumulatora.** Spięcie zacisków akumulatora może spowodować oparzenia lub pożar.
- **W niewłaściwych warunkach z akumulatora może wypłynąć płyn. Należy unikać kontaktu z tym płynem. Jeżeli dojdzie do kontaktu, przemyć wodą. Jeśli dojdzie do kontaktu płynu z oczami, należy dodatkowo skorzystać z pomocy medycznej.** Płyn wydostający się z akumulatora może wywołać podrażnienia lub oparzenia.
- **Nie używać akumulatora ani narzędzia, jeśli są one uszkodzone lub zostały zmodyfikowane.** Uszkodzone lub zmodyfikowane akumulatory mogą charakteryzować się nieprzewidywalnymi właściwościami skutkującymi pożarem, eksplozją lub ryzykiem doznania obrażeń przez użytkownika.
- **Nie wystawiać akumulatora ani narzędzia na działanie ognia bądź nadmiernej temperatury.** Narażenie na pożar lub temperaturę przekraczającą 130°C (265°F) może spowodować wybuch.
- **Postępować zgodnie ze wszystkimi instrukcjami dotyczącymi ładowania i nie ładować akumulatora ani narzędzia w temperaturach wykraczających poza zakres określony w instrukcji.** Nieprawidłowe ładowanie lub ładowanie w temperaturach wykraczających poza dopuszczalny zakres może uszkodzić akumulator i zwiększyć ryzyko pożaru.

Serwis

- **Narzędzie zasilane należy przekazać do wykwalifikowanego personelu serwisowego w celu naprawy z użyciem identycznych części**

zamiennych. Zapewni to bezpieczną pracę narzędzia elektrycznego.

- **Pod żadnym pozorem nie należy serwisować uszkodzonych akumulatorów.** Serwisowanie akumulatorów powinno być wykonywane wyłącznie przez producenta lub autoryzowany serwis.

Kieruj się zawsze zdrowym rozsądkiem

Nie jest możliwe omówienie wszystkich sytuacji, w jakich potencjalnie możesz się znaleźć. Zawsze zachowywać ostrożność i kierować się zdrowym rozsądkiem.

Nie podejmować się prac przekraczających własne kwalifikacje. Jeżeli po przeczytaniu niniejszej instrukcji nadal są wątpliwości co do sposobów postępowania, nie kontynuować pracy i zwrócić się o poradę do eksperta.



OSTRZEŻENIE: Nigdy nie pozwalaj dzieciom na użytkowanie lub przebywanie w pobliżu urządzenia. Ponieważ maszynę łatwo uruchomić, dzieci mogą być w stanie ją włączyć, jeżeli nie będą pilnowane. Oznacza to ryzyko poważnych obrażeń. Dlatego należy odłączać akumulator, gdy maszyna nie jest pod nadzorem.

Ogólne zasady bezpieczeństwa



OSTRZEŻENIE: Przed rozpoczęciem użytkowania produktu przeczytać następujące ostrzeżenia.

- Wyjąć akumulator, aby zabezpieczyć maszynę przed przypadkowym uruchomieniem.
- Ten produkt jest niebezpiecznym narzędziem w przypadku nieostrożnego postępowania lub nieprawidłowego korzystania. Produkt może spowodować poważne obrażenia ciała lub śmierć operatora lub innych osób.
- Nie używać produktu w przypadku zmiany jego początkowych specyfikacji. Nie wymieniać części maszyny bez zgody producenta. Należy używać wyłącznie części zatwierdzonych przez producenta. Nieprawidłowa konserwacja może doprowadzić do obrażeń lub śmierci.
- Przed uruchomieniem produktu należy sprawdzić jego stan techniczny. Patrz *Kontrola przed uruchomieniem na stronie 350* oraz *Przed użyciem urządzenia na stronie 358*. Nie używać urządzenia, które jest uszkodzone lub nie działa prawidłowo. Przeprowadzać kontrole bezpieczeństwa oraz czynności z zakresu konserwacji i obsługi technicznej podane w niniejszej instrukcji.
- Należy dopilnować, aby produktem nie bawiły się dzieci. Nigdy nie pozwalać na użytkowanie ani serwisowanie produktu dzieciom lub innym osobom, które nie mają odpowiednich kwalifikacji. Lokalne przepisy mogą określać wiek operatora.

- Produkt należy przechowywać w zamkniętym miejscu, aby uniemożliwić dostęp do niego dzieciom i osobom nieupoważnionym.
- Przechowywać produkt w miejscu niedostępnym dla dzieci.
- Pod żadnym pozorem nie wolno zmieniać ani modyfikować fabrycznej konstrukcji urządzenia bez zezwolenia wydanego przez producenta. Zawsze należy korzystać z oryginalnych akcesoriów. Samowolne wprowadzanie zmian oraz/lub montowanie wyposażenia niezatwierdzonego przez producenta może stać się przyczyną groźnych obrażeń lub śmierci obsługującego urządzenie bądź innych osób.

Uwaga: Użytkowanie może podlegać regulacji przepisami państwowymi lub lokalnymi. Należy przestrzegać odpowiednich przepisów

Instrukcje bezpieczeństwa dotyczące obsługi



OSTRZEŻENIE: Przed rozpoczęciem użytkowania produktu przeczytać następujące ostrzeżenia.

- **Nie używać maszyny przy złych warunkach pogodowych, szczególnie jeśli istnieje ryzyko wystąpienia burzy.** Zmniejsza to ryzyko porażenia piorunem.
- **Dokładnie sprawdzić obszar, w którym ma być używana maszyna, pod kątem występowania dzikich zwierząt.** Podczas pracy maszyny może dojść do obrażeń ciała u dzikich zwierząt.
- **Należy dokładnie sprawdzić miejsce, w którym będzie używana maszyna, i usunąć wszelkie kamienie, patyki, druty, kości i inne przedmioty.** Odrzucone przedmioty mogą spowodować obrażenia.
- **Przed użyciem maszyny należy zawsze wzrokowo sprawdzić, czy tarcza tnąca i zespół tnący nie są uszkodzone.** Uszkodzone części zwiększają ryzyko odniesienia obrażeń.
- **Oslony muszą być założone. Oslony muszą być sprawne i prawidłowo zamontowane.** Poluzowana, uszkodzona lub nieprawidłowo działająca osłona może spowodować obrażenia.
- **Utrzymywać wszelkie wloty powietrza chłodzącego w czystości.** Zablokowane wloty powietrza i zanieczyszczenia mogą spowodować przegrzanie lub ryzyko pożaru.
- **Należy stosować środki ochrony oczu oraz ochronniki słuchu.** Odpowiedni sprzęt ochronny zmniejsza ryzyko odniesienia obrażeń.
- **Podczas obsługi maszyny należy zawsze nosić obuwie przeciwpoślizgowe i ochronne. Nie obsługiwać maszyny boso lub w sandałach.** Zmniejsza to ryzyko obrażeń stóp w wyniku kontaktu z ruchomą tarczą tnącą.
- **Podczas obsługi maszyny należy zawsze nosić odzież ochronną, np. spodnie zakrywające nogi operatora.** Kontakt z poruszającą się tarczą tnącą lub żyłką może spowodować obrażenia ciała.
- **Podczas obsługi maszyny nie wolno dopuszczać do obecności w pobliżu osób postronnych.** Odrzucony podczas przycinania materiał może doprowadzić do ciężkich obrażeń.
- **Nie używać maszyny powyżej wysokości pasa.** Dzięki temu uniknie się przypadkowego dotknięcia tarczy tnącej i zapewni lepszą kontrolę nad maszyną w nieoczekiwanych sytuacjach.
- **Zachować ostrożność podczas obsługi maszyny na mokrej trawie. Należy iść, nie biec.** Zmniejsza to ryzyko poślizgnięcia się i upadku, a tym samym odniesienia obrażeń.
- **Nie wolno używać maszyny na zbyt stromych zboczach.** Zmniejsza to ryzyko utraty kontroli, poślizgnięcia się i upadku, a tym samym odniesienia obrażeń.
- **Podczas pracy na pochyłościach należy zawsze dobrze stawiać nogi, pracować w poprzek zbocza, a nie w górę lub w dół, a także zachować szczególną ostrożność przy zmianie kierunku jazdy.** Zmniejsza to ryzyko utraty kontroli, poślizgnięcia się i upadku, a tym samym odniesienia obrażeń.
- **Wszystkie przewody powinny znajdować się z dala od miejsca cięcia.** Podczas pracy przewody mogą zostać zakryte przez krzewy i krzaki i przypadkowo przecięte lub uszkodzone przez tarczę tnącą lub żyłkę.
- **Nie należy zbliżać żadnych części ciała do poruszającej się tarczy tnącej wykaszarki lub żyłki. Nie należy usuwać materiału z maszyny, dopóki nie zostanie ona odłączona od źródła zasilania.** Poruszająca się tarcza tnąca wykaszarki lub żyłka może spowodować poważne obrażenia.
- **Maszynę należy przenosić po jej wyłączeniu i z dala od ciała.** Prawidłowa obsługa maszyny zmniejsza prawdopodobieństwo przypadkowego kontaktu z poruszającą się tarczą tnącą wykaszarki lub żyłką.
- **Należy używać wyłącznie wymiennych głowic tnących i tarczy tnących wykaszarki lub żyłek zalecanych przez producenta. Nie wymieniać tarcz tnących wykaszarki ani żyłek na metalowe druty lub ostrza.** Nieprawidłowe części zamienne mogą spowodować utratę kontroli nad maszyną, jej uszkodzenie lub obrażenia ciała.

Środki ochrony osobistej



OSTRZEŻENIE: Przed rozpoczęciem użytkowania produktu przeczytać następujące ostrzeżenia.

- Podczas używania produktu zawsze nosić na sobie zatwierdzone środki ochrony osobistej. Środki ochrony osobistej nie eliminują ryzyka odniesienia obrażeń, ograniczają natomiast ich rozmiar w razie

zaistnienia wypadku. Skorzystać z pomocy dealera przy wyborze odpowiedniego sprzętu.

- Stosować atestowane ochronniki słuchu.

(Rys. 21)

- Stosować atestowane środki ochrony oczu. Używając maski ochronnej twarzy, nosić także zatwierdzone okulary ochronne. Za zatwierdzone okulary ochronne uważane są takie, które są zgodne z normami ANSI Z87.1 dla USA lub EN 166 dla krajów UE.

(Rys. 22)

- W razie potrzeby, na przykład podczas mocowania, sprawdzania lub czyszczenia osprzętu tnącego, stosować rękawice ochronne.

(Rys. 23)

- Zakładać obuwie ochronne ze stalowymi noskami i antypoślizgowymi podszewkami.

(Rys. 24)

- Nosić odzież wykonaną z mocnego materiału. Nosić odzież z długimi nogawkami i długimi rękawami, wykonaną z mocnego materiału. Luźne części odzieży mogą zahaczyć o krzewy lub gałęzie. Nie nosić biżuterii, krótkich spodni ani sandałów. Nie pracować boso. Związywać włosy w sposób bezpieczny powyżej poziomu barków.
- Zawsze mieć pod ręką apteczkę.

(Rys. 25)

Zespoły zabezpieczające na produkcie



OSTRZEŻENIE: Przed rozpoczęciem użytkowania produktu przeczytać następujące ostrzeżenia.

W tym rozdziale opisano funkcje bezpieczeństwa produktu, jego przeznaczenie oraz sposób przeprowadzania czynności kontrolnych i konserwacji, aby zapewnić jego poprawne działanie. Patrz wskazówki podane w punkcie *Wstęp na stronie 348*, aby sprawdzić, gdzie te części są zlokalizowane w Twoim produkcie.

Jeżeli urządzenie nie jest prawidłowo konserwowane i nie jest poddawane profesjonalnie wykonywanym naprawom i/lub obsłudze technicznej, skracą się jego żywotność i zwiększa ryzyko wypadku. Aby uzyskać dodatkowe informacje, należy skontaktować się z najbliższym punktem serwisowym.



OSTRZEŻENIE: Nie wolno używać urządzenia, którego elementy zabezpieczające są uszkodzone. Elementy zabezpieczające produktu należy kontrolować i konserwować zgodnie z opisem w niniejszym rozdziale. Jeżeli Twój produkt nie spełnia któregokolwiek z warunków kontrolnych, skontaktuj się z

przedstawicielem serwisu w celu dokonania naprawy.



UWAGA: Wszelkie czynności obsługowe i naprawy maszyny wymagają specjalnego przeszkolenia. Szczególnie dotyczy to elementów zabezpieczających urządzenia. Jeżeli maszyna nie spełnia jakiegokolwiek z niżej wymienionych warunków kontrolnych, należy ją oddać do warsztatu obsługi technicznej. Kupując nasze produkty, zyskujesz także gwarancję profesjonalnej obsługi i napraw. Jeżeli w miejscu zakupu nie jest prowadzona obsługa serwisowa, zapytaj o adres najbliższego warsztatu obsługi technicznej.

Sprawdzanie interfejsu użytkownika

Zielone diody LED (A) wskazują stan akumulatora, gdy urządzenie jest włączone, ale nie działa.

1. Nacisnąć i przytrzymać przycisk wł./wył. (B). (Rys. 26)
 - a) Gdy kontrolki LED (A) świecą się, oznacza to, że urządzenie jest włączone.
 - b) Urządzenie jest wyłączone, gdy kontrolki LED się nie świecą (A).
2. Patrz *Rozwiązywanie problemów na stronie 361* jeśli świeci się lub miga wskaźnik ostrzegawczy (C).

Sprawdzanie blokady manetki gazu

Blokada manetki gazu zapobiega przypadkowemu uruchomieniu. Naciśnięcie na blokadę manetki gazu (A) zwalnia ją (B). Po zwolnieniu uchwytu manetka gazu i blokada manetki gazu powrócą do swoich pozycji wyjściowych.

(Rys. 27)

1. Sprawdzić, czy manetka gazu jest zablokowana, gdy jej blokada znajduje się w swoim położeniu wyjściowym.

(Rys. 28)

2. Wcisnąć blokadę manetki gazu i sprawdzić, czy po zwolnieniu powraca ona do położenia wyjściowego.

(Rys. 29)

3. Upewnić się, że manetka gazu i jej blokada poruszają się płynnie, a sprężyna powrotna działa prawidłowo.

(Rys. 30)

4. Uruchomić urządzenie. Patrz *Uruchamianie produktu na stronie 359*.

5. Zwolnić manetkę gazu i sprawdzić, czy osprzęt tnący całkowicie się zatrzymał.

Sprawdzanie osłony osprzętu tnącego



OSTRZEŻENIE: Nie wolno używać osprzętu tnącego bez zatwierdzonej i prawidłowo zamocowanej osłony. Zawsze stosować osłonę osprzętu tnącego zalecaną dla danego osprzętu tnącego, patrz *Dane techniczne na stronie 363*. Stosowanie niewłaściwych lub uszkodzonych osłon osprzętu tnącego może skutkować poważnymi obrażeniami.

Osłona osprzętu tnącego zapobiega odrzuceniu przedmiotów w kierunku operatora. Zapobiega również obrażeniom ciała w przypadku dotknięcia do osprzętu tnącego.

1. Wylączyć silnik.
2. Przeprowadzić kontrolę wzrokową pod kątem uszkodzeń, na przykład pęknięć.
3. Wymienić osłonę osprzętu tnącego, jeśli jest uszkodzona.

Osprzęt tnący

Wybrać odpowiedni osprzęt tnący i zapewnić ich konserwację, aby:

- Uzyskać maksymalną wydajność cięcia.
- Przedłużyć okres eksploatacji osprzętu tnącego.



OSTRZEŻENIE: Korzystać wyłącznie z osprzętu tnącego wraz z zalecanymi przez nas osłonami! Patrz *Dane techniczne na stronie 363*. Procedura prawidłowego doboru średnicy żyłki wykaszarki i jej zakładania znajduje się w instrukcjach dotyczących osprzętu tnącego.



OSTRZEŻENIE: Uszkodzony osprzęt tnący zwiększa ryzyko wypadku.

Głowica żyłkowa



OSTRZEŻENIE: Należy zawsze upewnić się, czy żyłka jest równo i mocno nawinięta na bęben, aby zapobiec generowaniu szkodliwych dla zdrowia drgań.

(Rys. 31)

- Stosować wyłącznie zalecane głowice żyłkowe oraz żyłki.
- Używać tylko zalecanego osprzętu tnącego.
- Maszyny z silnikiem o małej mocy wymagają stosowania małych głowic żyłkowych i vice versa.

- Długość żyłek również jest ważna. Dłuższa żyłka wymaga większej mocy silnika niż krótsza żyłka o tej samej średnicy.
- Zwróć uwagę, aby przecinacz żyłki znajdujący się na osłonie głowicy, nie był uszkodzony. Służy on do przycinania żyłki na odpowiednią długość.
- Przed użyciem należy zamoczyć żyłkę w wodzie na kilka dni, aby wydłużyć jej okres eksploatacji.

Zasady bezpieczeństwa związane z akumulatorem



OSTRZEŻENIE: Zapoznać się ze wszystkimi instrukcjami ogólnymi i dotyczącymi bezpieczeństwa. Niezastosowanie się do instrukcji ogólnych i bezpieczeństwa może spowodować porażenie prądem i/lub poważne obrażenia. **Wszystkie informacje dotyczące bezpieczeństwa i ogólne instrukcje należy zachować w celu późniejszego wykorzystania.**

- Niniejsze instrukcje bezpieczeństwa dotyczą wyłącznie akumulatorów litowo-jonowych 18 V do systemu POWER FOR ALL.
- Akumulatora należy używać wyłącznie w produktach partnerów systemu POWER FOR ALL. Akumulatory 18 V z oznaczeniem POWER FOR ALL są w pełni kompatybilne z następującymi produktami:
 - Wszystkie produkty należące do systemu POWER FOR ALL z akumulatorem 18 V.
 - Wszystkie produkty partnerów systemu POWER FOR ALL wymagające napięcia 18 V.
- Należy przestrzegać zaleceń dotyczących akumulatora zawartych w instrukcji obsługi urządzenia. Jest to niezbędne do bezpiecznej obsługi akumulatora i urządzenia oraz zabezpieczenia akumulatorów przed niebezpiecznym przeciążeniem.
- Akumulatory należy ładować wyłącznie przy użyciu ładowarek zalecanych przez producenta lub partnerów systemu POWER FOR ALL. Ładowarka odpowiednia do jednego rodzaju akumulatorów może wywołać pożar, gdy współpracuje z innym akumulatorem.
- Akumulator jest dostarczany w stanie częściowo naładowanym. Aby zapewnić pełną pojemność akumulatora, należy go całkowicie naładować za pomocą ładowarki przed użyciem narzędzia elektrycznego po raz pierwszy.
- Przechowywać akumulatory w miejscu niedostępnym dla dzieci.
- Nie należy otwierać akumulatora. Istnieje ryzyko zwarcia.
- W przypadku uszkodzenia lub nieprawidłowego użytkowania akumulatora może dojść do emisji niebezpiecznych oparów. Akumulator może się

zapalić lub wybuchnąć. Upewnij się, że w miejscu pracy zapewniona jest dobra wentylacja i w razie wystąpienia jakichkolwiek niepożądanych skutków należy skonsultować się z lekarzem. Opary mogą podrażnić układ oddechowy.

- **Nieprawidłowe użytkowanie lub uszkodzenie akumulatora może spowodować wytrysnięcie z niego łatwopalnej cieczy. Należy unikać kontaktu z tą cieczą. Jeśli dojdzie do przypadkowego kontaktu, należy przemyć wodą. W przypadku przedostania się cieczy do oczu należy niezwłocznie skorzystać z dodatkowej pomocy medycznej.** Płyn wydobywający się z akumulatora może powodować podrażnienia lub poparzenia.
- **Jeśli akumulator jest uszkodzony, może z niego wytrysnąć ciecz, która pokryje pobliskie powierzchnie. Sprawdź elementy, które zostały narażone.** Oczyszczyć te elementy lub wymienić je w razie potrzeby.
- **Uważać, aby nie doszło do zwarcia akumulatora.** Kiedy akumulator nie jest używany, należy przechowywać go z dala od innych metalowych przedmiotów, takich jak spinacze do papieru, monety, klucze, gwoździe i śruby oraz innych niewielkich metalowych przedmiotów, które mogłyby połączyć dwa zaciski akumulatora. Spięcie zacisków akumulatora może spowodować oparzenia lub pożar.
- **Akumulator może zostać uszkodzony przez ostro zakończony elementy, takie jak gwoździe lub śrubokręty, albo przez wywieraną z zewnątrz siłę.** Może wystąpić zwarcie wewnętrzne, które spowoduje przepalenie, zadyminienie, wybuch lub przegrzanie akumulatora.
- **Pod żadnym pozorem nie należy serwisować uszkodzonych akumulatorów.** Serwisowanie akumulatorów powinno być wykonywane wyłącznie przez producenta lub autoryzowany serwis.
- **Chronić akumulator przed wysoką temperaturą, np. przed wystawieniem na ciągłe, intensywne światło słoneczne, ogień, brud, wodę i wilgoć.** Istnieje ryzyko wybuchu i zwarcia.
- **Akumulator urządzenia może być używany wyłącznie przy temperaturach otoczenia -5 °C — 40 °C.**
- **Podczas przechowywania akumulatora temperatura otoczenia musi wynosić -20 °C — 50 °C.** Nie wolno zostawiać akumulatora w samochodzie na przykład latem. Przy temperaturach < 0 °C niektóre urządzenia mogą mieć mniejszą moc.
- **Akumulator należy ładować wyłącznie przy temperaturze otoczenia w zakresie 0 °C — 35 °C.** Ładowanie poza tym zakresem temperatur może zwiększyć ryzyko uszkodzenia akumulatora i spowodować zagrożenie pożarowe.

Zasady bezpieczeństwa w czasie obsługi ładowarki



OSTRZEŻENIE: Zapoznać się ze wszystkimi instrukcjami ogólnymi i dotyczącymi bezpieczeństwa. Niezastosowanie się do instrukcji ogólnych i bezpieczeństwa może spowodować porażenie prądem i/lub poważne obrażenia. **Przechowywać niniejsze instrukcje w bezpiecznym miejscu.** Ładowniki należy używać wyłącznie wtedy, gdy można w pełni ocenić wszystkie funkcje i wykonać je bez żadnych ograniczeń lub jeśli użytkownik otrzymał odpowiednie instrukcje.

- **Należy nadzorować dzieci podczas użytkowania, czyszczenia i konserwacji.** Należy dopilnować, aby dzieci nie bawiły się ładowarką.
- **Ładować wyłącznie akumulatory litowo-jonowe systemu POWER FOR ALL 18 V o pojemności 1,5 Ah lub większej (5 ogniw akumulatora lub więcej).** Napięcie akumulatora musi być zgodne z napięciem ładowania ładowarki akumulatora. **Nie należy ładować żadnych baterii nie nadających się do ponownego ładowania.** W przeciwnym razie istnieje ryzyko pożaru i eksplozji.
- **Nie wystawiać stacji ładującej na działanie deszczu lub wilgoci.** Woda, która przedostanie się do elektronarzędzia zwiększy ryzyko porażenia prądem.
- **Utrzymywać czystość ładowarki.** Brud stwarza ryzyko porażenia prądem.
- **Przed użyciem należy zawsze sprawdzić ładowarkę, kabel i wtyczkę.** W przypadku wykrycia jakichkolwiek uszkodzeń należy zaprzestać korzystania z ładowarki. **Nie wolno samodzielnie otwierać ładowarki i należy zlecać jej naprawę wyłącznie wykwalifikowanemu specjalście, korzystając tylko z oryginalnych części zamiennych.** Uszkodzone ładowarek, kabli i wtyczek zwiększa ryzyko porażenia prądem.
- **Ładowarki nie należy używać na powierzchni, która może łatwo ulec zapłonowi (np. na papierze, tkaninach itp.) ani w środowisku łatwopalnym.** Istnieje ryzyko pożaru z powodu nagrzewania się ładowarki podczas pracy.
- **Ładować jedynie za pomocą ładowarki wskazanej przez producenta.** Ładowarka przeznaczona do jednego rodzaju akumulatora może grozić pożarem w przypadku wykorzystania jej do ładowania innego rodzaju akumulatora.
- **W przypadku uszkodzenia lub nieprawidłowego użytkowania akumulatora może dojść również do emisji niebezpiecznych oparów.** Upewnij się, że w miejscu pracy zapewniona jest dobra wentylacja i w razie wystąpienia jakichkolwiek niepożądanych skutków należy skonsultować się z lekarzem. Opary mogą podrażnić układ oddechowy.

- W niewłaściwych warunkach z akumulatora może wydostać się płyn. Należy unikać kontaktu z tą cieczą. Jeśli dojdzie do przypadkowego kontaktu, należy przemyć wodą. W przypadku przedostania się cieczy do oczu należy niezwłocznie skorzystać z dodatkowej pomocy medycznej. Płyn wydobywający się z akumulatora może powodować podrażnienia lub poparzenia.
- Nie zakrywać otworów wentylacyjnych ładowarki. W przeciwnym razie może dojść do przegrzania się ładowarki i jej nieprawidłowego działania.
- W celu uniknięcia zagrożeń dla bezpieczeństwa, gdy zajdzie konieczność wymiany przewodu zasilającego, należy zlecić tę wymianę firmie Husqvarna lub centrum obsługi klienta, które jest upoważnione do naprawy narzędzi elektrycznych Husqvarna.
- Produkty sprzedawane wyłącznie w Wielkiej Brytanii: Produkt jest wyposażony we wtyczkę elektryczną BS 1363/A z wewnętrznym bezpiecznikiem (atest ASTA BS 1362). Jeśli wtyczka nie jest odpowiednia do gniazdka, należy zgłosić to do autoryzowanego warsztatu obsługi technicznej, w którym zostanie ona odcięta, a w jej miejsce zainstalowana prawidłowa wtyczka. Wymieniona wtyczka powinna mieć bezpiecznik o takich samych parametrach, jak oryginalna wtyczka. Odciętą wtyczkę należy wyrzucić, aby uniknąć ryzyka porażenia prądem. Nigdy nie należy jej wkładać do gniazdka elektrycznego.



OSTRZEŻENIE: Zatrzymanie akcji serca! Niniejszy produkt podczas pracy wytwarza pole elektromagnetyczne. W pewnych warunkach pole to może zakłócać pracę aktywnych lub pasywnych implantów medycznych. Przed użyciem tego produktu osoby z wszczepionym implantem medycznym powinny skonsultować się z lekarzem i producentem implantu w

celu ograniczenia ryzyka poważnych lub śmiertelnych obrażeń.



OSTRZEŻENIE: Ryzyko uduszenia! Łatwo może dojść do połknięcia małych elementów. Istnieje także ryzyko uduszenia małych dzieci w torbie foliowej. Nie dopuszczać małych dzieci do miejsca, w którym odbywa się montaż.

Instrukcje bezpieczeństwa dotyczące konserwacji



OSTRZEŻENIE: Przed rozpoczęciem prac konserwacyjnych produktu przeczytać następujące ostrzeżenia.

- Wyjąć akumulator przed rozpoczęciem prac konserwacyjnych, innych przeglądów lub montażu produktu.
- Użytkownikowi wolno wykonywać tylko te czynności konserwacyjne i serwisowe, które są wskazane w niniejszej instrukcji obsługi. W przypadku czynności konserwacyjnych i serwisowych o szerszym zakresie należy zwrócić się do autoryzowanego serwisu.
- Do czyszczenia akumulatora ani ładowarki nie należy używać wody. Silne detergenty mogą spowodować uszkodzenie tworzywa sztucznego.
- Zaniedbanie czynności konserwacyjnych skróci cykl życia produktu i zwiększy ryzyko wypadków.
- Dla wszystkich prac serwisowych i naprawczych, zwłaszcza dla urządzeń zabezpieczających na produkcie, konieczne jest specjalne przeszkolenie. Jeśli nie wszystkie opisane w niniejszej instrukcji obsługi kontrole zakończą się pomyślnie po wykonaniu konserwacji, należy zwrócić się do autoryzowanego serwisu. Gwarantujemy profesjonalne naprawy i serwisowanie produktu.
- Używaj wyłącznie oryginalnych części zamiennych.

Montaż

Wstęp



OSTRZEŻENIE: Przed zmontowaniem produktu należy zapoznać się z rozdziałem dotyczącym bezpieczeństwa.

Montaż osłony głowicy

1. Umieścić osłonę głowicy na obudowie silnika. (Rys. 32)
2. Wkręcić 2 śruby, wprowadzając je przez obudowę silnika i osłonę głowicy. (Rys. 33)

3. Dokręcić śruby.

Montaż głowicy żyłkowej

1. Obrócić wałek zdawczy, aby otwór tarczy zabierakowej znalazł się dokładnie naprzeciw otworu w obudowie przekładni.
2. Włożyć narzędzie wielofunkcyjne do otworu, tak aby wałek został zabezpieczony.
3. Obrócić głowicę żyłkową w prawo. (Rys. 34)

Montaż osłony chroniącej przed odpryskami roślin

1. Zamontować osłonę chroniącą przed odpryskami roślin w otworach na obudowie silnika. (Rys. 35)
2. Sprawdzić, czy osłona chroniąca przed odpryskami roślin może się swobodnie poruszać do przodu i do tyłu. (Rys. 36)

Montaż haka na ścianie

- Hak należy zamontować we wnętrzu budynku.
- Hak należy trzymać w miejscu nienarażonym na działanie promieni słonecznych oraz w temperaturze otoczenia od -10°C do 70°C.
- Zamontować hak na ścianie wykonanej z płyty gipsowo-kartonowej, drewna lub betonu.



UWAGA: Należy upewnić się, że ściana wytrzymałe obciążenie co najmniej 30 kg.

- Zamontować hak na ścianie za pomocą 3 śrub (A). W razie potrzeby użyć kołków rozporowych (B). (Rys. 37)



UWAGA: Upewnić się, że śruby są odpowiednie dla danego typu ściany.

- Aby uzyskać informacje na temat akcesoriów do przechowywania produktu, należy skontaktować się z warsztatem obsługi technicznej Husqvarna.

Przeznaczenie

Wstęp



OSTRZEŻENIE: Przed użyciem produktu należy zapoznać się z rozdziałem dotyczącym bezpieczeństwa.

Przed użyciem urządzenia

- Sprawdzić obszar roboczy, aby zapoznać się z terenem. Sprawdzić nachylenie terenu oraz czy występują na nim przeszkody, takie jak kamienie, gałęzie i rowy.
- Przeprowadzić ogólny przegląd urządzenia.
- Wykonać kontrole bezpieczeństwa, czynności konserwacyjne i czynności serwisowe opisane w niniejszej instrukcji.
- Sprawdzić, czy na silniku nie ma pęknięć lub zanieczyszczeń. Aby usunąć trawę i liście z silnika, należy użyć szczotki. W razie potrzeby użyć rękawic.
- Sprawdzić głowicę żyłkową i osłonę osprzętu tnącego pod kątem uszkodzeń lub pęknięć. Wymienić głowicę żyłkową i osłonę osprzętu tnącego, jeżeli zostały uderzone lub są popękane.
- Upewnić się, że wszystkie nakrętki i śruby są dokręcone.
- Przed uruchomieniem produktu należy upewnić się, że narzędzie tnące oraz wszystkie pokrywy, osłony i uchwyty są prawidłowo zamocowane i nie są uszkodzone.

Akumulator



OSTRZEŻENIE: Przed rozpoczęciem korzystania z akumulatora należy przeczytać ze zrozumieniem rozdział poświęcony bezpieczeństwu. Należy również przeczytać uważnie instrukcję

obsługi dołączonej do akumulatora i ładowarki.

Zapewnić akumulatorowi i ładowarce prawidłową temperaturę otoczenia.

	Temperatura otoczenia
Używanie akumulatora w urządzeniu	-5 °C — 40 °C
Ładowanie akumulatora	0 °C — 35 °C

Ładowanie akumulatora

Przed pierwszym użyciem należy naładować akumulator.

Uwaga: Akumulator nie będzie się ładował, jeżeli jego temperatura przekroczy +35°C.

1. Podłączyć przewód zasilający ładowarki do uziemionego gniazda zasilania.



UWAGA: Upewnić się, że gniazdo ma prawidłowe napięcie i częstotliwość.

2. Włożyć akumulator do ładowarki. Akumulator jest podłączony do ładowarki, gdy miga zielona dioda LED. (Rys. 38)
3. Akumulator jest w pełni naładowany, gdy zielona dioda LED na ładowarce świeci stałym światłem. Akumulator można ładować przez maks. 24 godziny.
4. Odłączyć ładowarkę od źródła zasilania.



UWAGA: Nie ciągnąć za przewód.

5. Akumulator należy wyjąć z ładowarki.

Dioda LED stanu akumulatora na ładowarce

Czerwona dioda LED (A) i zielona dioda LED (B) ładowarki akumulatora wskazują stan akumulatora. Patrz *Dioda LED stanu akumulatora na urządzeniu na stronie 359*.

(Rys. 39)

Dioda LED	Stan akumulatora
Zielona dioda LED miga z dużą częstotliwością.	Akumulator jest ładowany.
Zielona dioda LED miga z małą częstotliwością.	Poziom naładowania akumulatora wynosi 80%.
Zielona dioda LED świeci stałym światłem.	Akumulator jest w pełni naładowany.
Czerwona dioda LED świeci stałym światłem.	Patrz <i>Dioda LED stanu akumulatora na urządzeniu na stronie 359</i> .
Czerwona dioda LED miga z dużą częstotliwością.	Patrz <i>Dioda LED stanu akumulatora na urządzeniu na stronie 359</i> .

Dioda LED stanu akumulatora na urządzeniu

Po zainstalowaniu akumulatora w urządzeniu diody LED na urządzeniu wskazują stan akumulatora.

(Rys. 40)

Dioda LED	Stan akumulatora
Świecą się diody LED 1, 2 i 3.	Akumulator całkowicie naładowany.
Świecą się diody LED 1 i 2.	Akumulator wystarczająco naładowany.
Świeci dioda LED 1.	Poziom naładowania akumulatora jest niski.
Miga dioda LED 1.	Akumulator rozładowany. Miga wskaźnik stanu akumulatora. Naładować akumulator. Patrz <i>Ładowanie akumulatora na stronie 358</i> .

Podłączanie akumulatora do produktu



OSTRZEŻENIE: Akumulatora należy używać wyłącznie z produktami systemu POWER FOR ALL 18V.

- Należy sprawdzić, czy akumulator jest w pełni naładowany.
- Wsunąć akumulator do uchwytu akumulatora produktu. Akumulator musi łatwo wchodzić w uchwyt. Jeżeli tak się nie dzieje, oznacza to, że nie został prawidłowo włożony.

(Rys. 41)

- Po usłyszeniu kliknięcia akumulator zablokuje się na miejscu.

Uruchamianie produktu

- Nacisnąć i przytrzymać przycisk wł./wył. do momentu zapalenia się zielonej kontrolki LED. (Rys. 42)
- Nacisnąć blokadę manetki gazu i manetkę gazu. Osprzęt tnący zacznie się obracać.

Regulacja uchwytu pałkowego i wałka teleskopowego

- Nacisnąć przycisk regulacji uchwytu pałkowego.

(Rys. 43)

- Wyregulować uchwyt pałkowy, ustawiając go pod odpowiednim kątem.
- Zwolnić przycisk regulacji uchwytu pałkowego.
- Poluzować dźwignię na wałku. (Rys. 44)
- Ustawić żądaną długość na wałku.
- Zamknąć dźwignię i dokręcić śrubę.

Uwaga: Dwa położenia uchwytu pałkowego przedstawione na poniższej ilustracji służą wyłącznie do transportu i/lub przechowywania.

(Rys. 45)

Funkcja automatycznego wyłączenia

Produkt ma funkcję automatycznego wyłączenia, która go zatrzymuje, gdy nie jest on używany. Urządzenie wyłącza się po 3 minutach.

Obsługa produktu

Podkaszanie trawy

- Trzymać głowicę żyłkową tuż nad ziemią, przechylając ją lekko pod kątem. Nie dociskać żyłki do trawy. (Rys. 46)

2. Zmniejszyć długość żyłki o 8–10 cm / 3,15–4 cala.

Usuwanie trawy

1. Trzymać głowicę żyłkową nad ziemią.
2. Przechylić głowicę żyłkową.
3. Ciąć końcem żyłki wokół obiektów w obszarze roboczym.



UWAGA: Ścinać trawę. Inne obiekty, które są uderzane przez żyłkę, zwiększają zużycie żyłki.

Koszenie trawy

1. Upewnić się, że żyłka jest ustawiona równolegle do podłoża podczas koszenia trawy. (Rys. 47)
2. Nie dociskać głowicy żyłkowej do ziemi. Niezastosowanie się do tego zalecenia może spowodować uszkodzenie produktu.
3. Podczas koszenia trawy należy przemieszczać produkt z boku na bok. (Rys. 48)

Zamiatanie trawy

Strumień powietrza wytwarzany przez obracającą się głowicę żyłkową można wykorzystać do usuwania skoszonej trawy z danego obszaru.

1. Trzymać głowicę żyłkową oraz żyłkę równolegle nad podłożem.
2. Przesuwać głowicę żyłkową z boku na bok, aby zamieść trawę.



OSTRZEŻENIE: Wyczyścić pokrywę głowicy żyłkowej po każdym założeniu nowej żyłki, aby zapewnić prawidłowe wyważenie i zapobiec drganiu uchwytów. Sprawdzić pozostałe elementy głowicy żyłkowej i wyczyścić w razie potrzeby.

Wyłączanie produktu

1. Zwolnić manetkę gazu i blokadę manetki gazu.
2. Nacisnąć przycisk wł./wyl., aż zielona dioda LED zgaśnie.
3. Nacisnąć przycisk zwalniający na akumulatorze i wyciągnąć go z urządzenia. (Rys. 49)

Wymiana żyłki

Patrz ostatnia strona instrukcji obsługi.

Przegląd

Wstęp



OSTRZEŻENIE: Przed przystąpieniem do konserwacji produktu zapoznać się z rozdziałem dotyczącym bezpieczeństwa.

Plan konserwacji



OSTRZEŻENIE: Wyjąć akumulator przed przystąpieniem do konserwacji.

Poniżej znajduje się lista czynności konserwacyjnych, które należy wykonywać przy urządzeniu. Więcej informacji, patrz *Przegląd na stronie 360*.

Przegląd	Codziennie	Co tydzień	Co miesiąc
Oczyścić zewnętrzne części produktu za pomocą suchej szmatki. Nie należy stosować wody.	X		
Sprawdzić, czy przycisk start i stop działa prawidłowo i nie jest uszkodzony.	X		
Sprawdzić, czy wyłącznik zasilania i jego blokada działają prawidłowo pod względem bezpieczeństwa.	X		
Upewnić się, że wszystkie elementy sterujące działają i nie są uszkodzone.	X		
Utrzymywać uchwyty w stanie suchym, czystym oraz wolnym od smaru i oleju.	X		
Należy sprawdzić, czy osprzęt tnący nie jest uszkodzony. Wymienić osprzęt tnący, jeśli jest uszkodzony.	X		
Sprawdzić, czy osłona osprzętu tnącego nie jest uszkodzona. Wymienić osłonę osprzętu tnącego, jeśli jest uszkodzona.	X		

Przegląd	Codzienne	Co tydzień	Co miesiąc
Upewnić się, że wszystkie śruby i nakrętki są dokręcone.	X		
Sprawdzić, czy działają przyciski uwalniające akumulator oraz czy blokują go na miejscu w produkcie.	X		
Sprawdzić, czy ładowarka nie jest uszkodzona i działa prawidłowo.	X		
Sprawdzić, czy akumulator nie jest uszkodzony.	X		
Należy sprawdzić, czy akumulator jest naładowany.	X		
Upewnić się, że ładowarka nie jest uszkodzona.	X		
Sprawdzić stan wszystkich przewodów, połączeń i złączy. Upewnić się, że nie są uszkodzone i wolne od zanieczyszczeń.		X	
Sprawdzić połączenia pomiędzy akumulatorem a urządzeniem. Sprawdzić połączenie pomiędzy akumulatorem a ładowarką.			X

Sprawdzanie akumulatora i ładowarki

1. Sprawdzić akumulator pod kątem uszkodzeń, na przykład pęknięć.
2. Sprawdzić ładowarkę pod kątem uszkodzeń, na przykład pęknięć.
3. Należy regularnie sprawdzać, czy przewód połączeniowy ładowarki akumulatora nie jest uszkodzony ani popękany.

Czyszczenie produktu, akumulatora i ładowarki

1. Po użyciu wyczyścić produkt za pomocą suchej szmatki.
2. Wyczyścić akumulator i ładowarkę suchą szmatką. Akumulator i zaciski należy utrzymywać w czystości.
3. Upewnić się, że styki akumulatora i ładowarki są czyste przed umieszczeniem akumulatora w ładowarce lub w produkcie.

Sprawdzenie i wymiana głowicy żyłkowej

1. Sprawdzić głowicę żyłkową pod kątem występowania uszkodzeń i pęknięć.
2. Obrócić wałek zdawczy, aby otwór tarczy zabierakowej znalazł się dokładnie naprzeciw otworu w obudowie przekładni.
3. Włożyć narzędzie wielofunkcyjne do otworu, tak aby wałek został zabezpieczony.
4. Obrócić głowicę żyłkową w prawo.

(Rys. 50)

5. Wymienić głowicę żyłkową.
6. Zamontować głowicę żyłkową. Patrz *Montaż głowicy żyłkowej na stronie 357*.

Rozwiązywanie problemów

Interfejs użytkownika

Problem	Możliwe usterki	Możliwe rozwiązanie
Miga zielona dioda LED uruchomienia.	Niskie napięcie akumulatora.	Naładować akumulator.
Miga czerwona dioda LED błędu.	Przeciążenie.	Osprzęt tnący nie może się swobodnie poruszać. Uwolnij osprzęt tnący.
	Odchylenia temperatury.	Pozwolić, aby urządzenie ostygło.
	Należy jednocześnie nacisnąć manetkę mocy i przycisk start.	Zwolnić manetkę mocy i nacisnąć przycisk start.

Problem	Możliwe usterki	Możliwe rozwiązanie
Zielona i czerwona dioda LED migają na przemian.	Akumulator jest rozładowany.	Naładować akumulator.
	Akumulator jest uszkodzony.	Zwrócić się do punktu serwisowego.

Ładowarka

Dioda na ładowarce	Przyczyna	Rozwiązanie
Zielona dioda LED świeci się, a czerwona dioda LED miga.	Akumulator nie jest prawidłowo zainstalowany w ładowarce.	Wyjąć akumulator z ładowarki i włożyć go ponownie do ładowarki.
	Złącza akumulatora są zabrudzone.	Oczyścić złącza akumulatora.
	Temperatura otoczenia jest zbyt wysoka lub zbyt niska.	Ładowarkę akumulatora można użytkować w zakresie temperatur od 0°C do +35°C.
	Akumulator jest uszkodzony.	Wymienić akumulator.
Zielona i czerwona dioda LED są wyłączone.	Ładowarka akumulatora nie jest prawidłowo podłączona do gniazda zasilania.	Podłączyć ładowarkę akumulatora do gniazda zasilania.
	Gniazdo zasilania jest uszkodzone.	Ładowarkę należy podłączyć do źródła zasilania o napięciu i częstotliwości zgodnymi z tabliczką znamionową.
	Kabel ładowarki akumulatora jest uszkodzony.	Skontaktować się z autoryzowanym punktem serwisowym.
	Ładowarka akumulatora jest uszkodzona.	
Inne błędy.	W przypadku wystąpienia innego błędu upewnić się że urządzenie jest wyłączone, wyjąć akumulator i skonsultować się z autoryzowanym warsztatem obsługi technicznej.	

Transport, przechowywanie i utylizacja

Transport i przechowywanie

- Dołączone akumulatory litowo-jonowe są zgodne z przepisami dotyczącymi towarów niebezpiecznych.
- Należy przestrzegać specjalnych zaleceń podanych na opakowaniu i etykietach, dotyczących transportu komercyjnego, w tym także usług transportowych świadczonych przez strony trzecie i spedytorów.
- Przed wysłaniem produktu należy porozmawiać z osobą przeszkoloną w zakresie materiałów niebezpiecznych. Przestrzegać wszystkich przepisów krajowych, które mają zastosowanie.
- Podczas umieszczania akumulatora w opakowaniu zabezpieczyć otwarte zaciski taśmą. Zapakować akumulator w taki sposób, aby ściśle przylegał do opakowania, co zapobiegnie jego przemieszczaniu.
- Wyjmować akumulator na czas przechowywania lub transportu.
- Przechowywać akumulator i ładowarkę w miejscu suchym i wolnym od wilgoci oraz nienarażonym na mróz.
- Nie przechowywać akumulatora w miejscu, gdzie może występować prąd statyczny. Nie przechowywać akumulatora w metalowym pojemniku.
- Przechowywać akumulator w miejscu, w którym temperatura wynosi od -20°C/-4°F do +50°C/122°F, z dala od bezpośredniego działania promieni słonecznych.
- Przechowywać ładowarkę w miejscu, w którym temperatura wynosi od 5°C/41°F do 45°C/113°F, z dala od bezpośredniego działania promieni słonecznych.
- Urządzenie należy przechowywać w zakresie temperatur od -40°C/-40°F do +60°C/140°F.

- Ładowarkę należy użytkować w temperaturze otoczenia od 0°C/32°F do 35°C/95°F.
- Naładować akumulator od 30% do 50% przed dłuższym okresem jego przechowywania.
- Przechowywać ładowarkę w zamkniętym i suchym miejscu.
- Przechowywać akumulator z dala od ładowarki. Nie wolno pozwalać dzieciom ani innym osobom postronnym na dotykaniu sprzętu. Przechowywać sprzęt w miejscu, które można zamknąć.
- Przed odstawieniem urządzenia na dłuższe przechowywanie należy je wyczyścić oraz przeprowadzić pełny przegląd.
- Użyć osłony transportowej na produkcie, aby zapobiec obrażeniom lub uszkodzeniu urządzenia podczas transportu i przechowywania.
- Przymocować bezpiecznie produkt podczas transportu.
- Przechowywać urządzenie w pozycji poziomej lub zawiesić na dołączonym do zestawu haku. Patrz *Montaż haka na ścianie na stronie 358.*

(Rys. 51)

Usuwanie akumulatora, ładowarki i produktu

Poniższy symbol oznacza, że produkt nie stanowi odpadu gospodarczego. Należy poddawać je recyklingowi w zatwierdzonym punkcie zbiórki sprzętu elektrycznego i elektronicznego. Pomaga to chronić środowisko i ludzi.

W celu uzyskania dodatkowych informacji należy skonsultować się z władzami lokalnymi, przedsiębiorstwem gospodarki komunalnej albo punktem sprzedaży.

(Rys. 18)

Uwaga: symbol widoczny jest na urządzeniu lub opakowaniu produktu.

Dane techniczne

Dane techniczne

Aspire T28-P4A	
Silnik	
Typ silnika	PMDC
Obroty wałka zdawczego, obr./min.	6800
Szerokość koszenia, mm	280
Waga	
Ciężar bez akumulatora (kg)	2,6
Ciężar z akumulatorem (P4A 18-B45 / P4A 18-B70), kg	3,0/3,3
Poziom hałasu ⁵²	
Zmierzony poziom mocy akustycznej, dB(A)	85
Poziom głośności, gwarantowana moc akustyczna L _{WA} dB(A)	88
Poziomy głośności ⁵³	
Równoważny poziom ciśnienia akustycznego przy uchu operatora zmierzony zgodnie z normą EN ISO 50636-2-91, dB (A)	73

⁵² Emisję hałasu do otoczenia zmierzono jako moc akustyczną (L_{WA}), zgodnie z dyrektywą Rady 2000/14/WE. Różnica pomiędzy gwarantowanym a zmierzonym poziomem ciśnienia akustycznego wynika z tego, że poziom gwarantowany uwzględnia także rozproszenie w wynikach pomiaru oraz różnice pomiędzy różnymi produktami o takim samym oznaczeniu modelowym zgodnie z dyrektywą 2000/14/WE.

⁵³ Odnotowane dane dotyczące równoważnego ciśnienia akustycznego produktu wykazują typowy rozrzut statystyczny (odchylenie standardowe) w wysokości 3 dB(A).

	Aspire T28-P4A
Poziomy drgań ⁵⁴	
Poziom drgań uchwytów, mierzony zgodnie z wymogami normy EN50636-2-91, m/s ² :	2,26/1,61
W zestawie głowica żyłkowa (oryginalna), przód/tył.	

Akumulator	P4A 18-B45	P4A 18-B72
Typ	Litowo-jonowy	Litowo-jonowy
Pojemność akumulatora, Ah	Patrz naklejka z informacją o wartości znamionowej akumulatora	Patrz naklejka z informacją o wartości znamionowej akumulatora
Napięcie znamionowe, V	18	18
Masa, kg	0,4	0,7

Ładowarka	P4A 18-C70
Napięcie sieciowe, V	220–240
Częstotliwość, Hz	50–60
Moc, W	70
Napięcie wyjściowe, V d.c./ Ampery, A	14,4-18 / 3

Akcesoria

Zatwierdzone akcesoria

Zatwierdzone akcesoria	Typ	Osiłona osprzętu tnącego, nr art.
Głowica żyłkowa	A15B M5 (żyłka Ø 1,6 mm)	536 47 32-01

⁵⁴ Odnotowane dane dla poziomu wibracji mają typowe rozproszenie statystyczne (odchylenie standardowe) w wysokości 1,5 m/s².

Deklaracja zgodności

Deklaracja zgodności UE

Firma **Husqvarna AB**, SE-561 82 Huskvarna,
Szwecja, tel.: +46-36-146500, deklarujemy z pełną
odpowiedzialnością, że produkt:

Opis	Podkaszarka akumulatorowa
Marka	Husqvarna
Typ/model	Aspire T28-P4A
Identyfikacja	Numery seryjne z roku 2023 i nowsze

spełnia wszystkie wymogi określone w odpowiednich
dyrektywach i przepisach UE:

Dyrektywa/przepis	Opis
2006/42/WE	„w sprawie maszyn”
2014/30/UE	„w sprawie kompatybilności elektromagnetycznej”
2000/14/WE	„dotycząca emisji hałasu do środowiska”
2011/65/UE	„dotycząca ograniczenia użycia niektórych substancji niebezpiecznych w sprzęcie elektrycznym i elektronicznym”

oraz został zaprojektowany zgodnie z następującymi
normami i specyfikacjami technicznymi: EN
60335-1:2012/A15:2021, EN 50636-2-91:2014, EN
IEC 63000:2018, EN IEC 55014-1:2021; EN IEC
55014-2:2021.

Jednostka notyfikowana: 0158 DEKRA Testing and
Certification GmbH, Handwerkstraße 15, 70565
Stuttgart, Germany potwierdza zgodność z dyrektywą
rady 2000/14/WE, procedura oceny zgodności:
Załącznik VI.

Informacje dotyczące emisji hałasu, patrz *Dane
techniczne na stronie 363*.

Huskvarna, 2023-12-14



Claes Losdal, Dyrektor ds. badań i rozwoju, Husqvarna
AB

Osoba odpowiedzialna za dokumentację techniczną



Licencje

Copyright © 2012–2020 STMicroelectronics

Gwarancja nie obejmuje uszkodzeń wynikających z normalnej eksploatacji, zaniedbań, używania niezgodnie z przeznaczeniem, nieautoryzowanej naprawy lub podłączenia mechanizmu ssącego do nieprawidłowego napięcia.

Wszelkie prawa zastrzeżone.

Redystrybucja i użytkowanie w postaci źródłowej i binarnej, z modyfikacjami lub bez, są dozwolone pod warunkiem spełnienia następujących warunków:

- Redystrybucje kodu źródłowego muszą zawierać powyższe zawiadomienie o prawach autorskich, niniejszą listę warunków oraz następujące zrzeczenie się odpowiedzialności.
- Redystrybucje w formie binarnej muszą zawierać powyższe zawiadomienie o prawach autorskich, niniejszą listę warunków oraz następujące zrzeczenie się odpowiedzialności w dokumentacji i/lub innych materiałach dostarczonych wraz z dystrybucją.
- Ani nazwa firmy STMicroelectronics, ani dane współautorów nie mogą być używane do wspierania lub promowania produktów pochodnych tego oprogramowania bez uzyskania uprzedniej pisemnej zgody.

NINIEJSZE OPROGRAMOWANIE JEST DOSTARCZANE PRZEZ WŁAŚCIELI PRAW AUTORSKICH I WSPÓLAUTORÓW W STANIE, W JAKIM JEST, I NIE SĄ UDZIELANE ŻADNE WYRAŻNE ANI DOROZUMIANE GWARANCJE, W TYM MIĘDZY INNYMI, LECZ NIE WYŁĄCZNIE, DOROZUMIANE GWARANCJE PRZYDATNOŚCI HANDLOWEJ I PRZYDATNOŚCI DO OKREŚLONEGO CELU. W ŻADNYM WYPADKU WŁAŚCIEL PRAW AUTORSKICH ANI WSPÓLAUTORZY NIE PONOSZĄ ODPOWIEDZIALNOŚCI ZA JAKIEKOLWIEK SZKODY BEZPOŚREDNIE, POŚREDNIE, PRZYPADKOWE, SPECJALNE, MORALNE LUB WYNIKOWE (W TYM MIĘDZY INNYMI, LECZ NIE WYŁĄCZNIE, DOSTARCZANIE TOWARÓW LUB USŁUG ZASTĘPCZYCH; UTRATĘ MOŻLIWOŚCI UŻYTKOWANIA, DANYCH LUB ZYSKÓW, ALBO PRZERWY W PROWADZENIU DZIAŁALNOŚCI), NIEZALEŻNIE OD TEGO, CZY JEST TO ODPOWIEDZIALNOŚĆ UMOWNA, ŚCISŁA, CZY DELIKTOWA (W TYM ZANIEDBANIA LUB INNE) WYNIKAJĄCA W JAKIKOLWIEK SPOŚÓB Z KORZYSTANIA Z TEGO OPROGRAMOWANIA, NAWET JEŚLI ZOSTALI POINFORMOWANI O MOŻLIWOŚCI WYSTĄPIENIA TAKICH SZKÓD.

Licencja Apache 2.0

Copyright © 2009-2019 Arm Limited. Wszelkie prawa zastrzeżone.

Wersja 2.0, styczeń 2004 <http://www.apache.org/licenses/>

WARUNKI UŻYTKOWANIA, POWIELANIA I DYSTRYBUCJI

1. Definicje.

„**Licencja**” oznacza warunki użytkowania, powielania i dystrybucji określone w sekcjach od 1 do 9 niniejszego dokumentu. „**Licencjodawca**” oznacza właściciela praw autorskich lub podmiot upoważniony przez właściciela praw autorskich, który udziela licencji. „**Podmiot prawny**” oznacza związek podmiotu działającego i wszystkich innych podmiotów, które kontrolują lub są kontrolowane przez ten podmiot lub znajdują się pod wspólną kontrolą z tym podmiotem. Do celów niniejszej definicji „**kontrola**” oznacza (i) bezpośrednią lub pośrednią władzę, która umożliwia kierowanie lub zarządzanie takim podmiotem, na podstawie umowy lub w inny sposób, lub (ii) własność pięćdziesięciu procent (50%) lub więcej akcji znajdujących się w obrocie, lub (iii) faktyczne prawa własności takiego podmiotu. „**Użytkownik**” (lub „**Ty**”) oznacza osobę fizyczną lub prawną, która korzysta z uprawnień przyznanych na mocy niniejszej licencji. „**Źródło**” oznacza preferowaną formę do wprowadzania zmian, w tym między innymi, lecz nie wyłącznie, kod źródłowy oprogramowania, źródło dokumentacji i pliki konfiguracyjne. „**Obiekt**” oznacza każdą formę powstałą w wyniku mechanicznego przekształcenia lub tłumaczenia formy źródłowej, w tym między innymi, lecz nie wyłącznie, skompilowany kod obiektu, wygenerowaną dokumentację i konwersje na inne typy mediów. „**Dzieło**” oznacza dzieło autorskie, zarówno w formie źródłowej, jak i obiektowej, udostępnione na mocy licencji, jak wskazano w zawiadomieniu o prawach autorskich zawartych w dziele lub do niego dołączonych (przykład znajduje się w Załączniku poniżej). „**Dzieła pochodne**” oznaczają wszelkie dzieła, zarówno w formie źródłowej, jak i obiektowej, oparte na dziele lub z niego pochodzące, których rewizje redakcyjne, adnotacje, opracowania lub inne modyfikacje stanowią, jako całość, oryginalne dzieło autorskie. Do celów niniejszej licencji dzieła pochodne nie obejmują dzieł, które pozostają rozdzielne lub jedynie łączą (lub wiążą poprzez nazwę) z interfejsami wymienionymi powyżej dzieło i dzieła pochodne. „**Wkład**” oznacza każde dzieło autorskie, w tym oryginalną wersję dzieła oraz wszelkie modyfikacje lub dodatki do wymienionych powyżej dzieł lub dzieł pochodnych, które zostały celowo przedłożone Licencjodawcy w celu włączenia do dzieła przez właściciela praw autorskich lub osobę fizyczną lub prawną upoważnioną do działania w imieniu właściciela praw autorskich. Do celów niniejszej definicji „**przesłane**” oznacza każdą formę komunikacji elektronicznej, ustnej lub pisemnej, wysłanej do Licencjodawcy lub jego przedstawicieli, w tym między innymi, lecz nie wyłącznie, komunikację przy użyciu elektronicznych list wysyłkowych, systemów kontroli kodu źródłowego oraz

systemów śledzenia problemów, które są zarządzane przez Licencjodawcę lub w jego imieniu, w celu omówienia i udoskonalenia dzieła, ale z wyłączeniem komunikacji, która jest wyraźnie oznaczona lub w inny sposób określona na piśmie przez właściciela praw autorskich jako „Nie wkład”. „Współautor” oznacza Licencjodawcę oraz każdą osobę fizyczną lub prawną, w imieniu której Licencjodawca otrzymał wkład, który następnie włączył do dzieła.

2. Udzielenie licencji na prawa autorskie.

Z zastrzeżeniem warunków niniejszej licencji każdy Współautor niniejszym udziela Użytkownikowi wieczystej, ogólnowiatowej, niewyłącznej, nieodwołalnej licencji na prawa autorskie bez pobierania opłat ani tantiem, upoważniającej do powielania, przygotowywania dzieł pochodnych, publicznego pokazywania, publicznego wykorzystywania, udzielania sublicencji oraz dystrybucji dzieła i dzieł pochodnych w formie źródłowej lub obiektowej.

3. Udzielenie licencji patentowej.

Z zastrzeżeniem warunków niniejszej licencji każdy Współautor niniejszym udziela Użytkownikowi wieczystej, ogólnowiatowej, niewyłącznej, nieodwołalnej (z wyjątkiem przypadków określonych w niniejszej sekcji) licencji patentowej, bez pobierania opłat ani tantiem, na wykonywanie, powierzenie wykonywania, użytkowanie, oferowanie do sprzedaży, sprzedawanie, importowanie i inne sposoby transferowania dzieła, gdy taka licencja dotyczy tylko tych roszczeń patentowych, na które licencja może udzielać taki Współautor oraz które muszą zostać naruszone przez sam(e) jego wkład(y) lub przez połączenie jego wkładu(-ów) z dziełem, do którego został(y) przesłany(-e) taki(e) wkład(y). Jeżeli wszczęto postępowanie sądowe w sprawie patentu przeciwko któremukolwiek podmiotowi (w tym roszczenie wzajemne w postępowaniu sądowym), w którym stwierdzono, że dzieło lub wkład wnieiony w dzieło stanowi naruszenie patentu bezpośrednio lub poprzez wkład, wszelkie licencje patentowe, udzielone Użytkownikowi na podstawie niniejszej licencji w odniesieniu do dzieła, wygasają z dniem złożenia pozwu.

4. Redystrybucja.

Użytkownik może powielać i dystrybuować kopie dzieła lub dzieł pochodnych wymienionych powyżej przy użyciu dowolnego medium, z modyfikacjami lub bez, oraz w formie źródłowej lub obiektowej, pod warunkiem spełnienia następujących warunków:

- Użytkownik musi przekazać kopię niniejszej licencji wszystkim innym odbiorcom dzieła lub dzieł pochodnych; oraz
- Użytkownik musi zadbać, aby wszelkie zmodyfikowane pliki posiadały wyraźnie widoczne zawiadomienia, że zostały zmienione przez Użytkownika, a także musi zachować w formie źródłowej wszelkich dystrybuowanych dzieł

pochodnych wszystkie zawiadomienia o prawach autorskich, patentach, znakach towarowych i przynależnych prawach z formy źródłowej dzieła, z wyjątkiem tych zawiadomień, które nie dotyczą żadnej części dzieł pochodnych; oraz

- Jeżeli dzieło zawiera plik tekstowy „ZAWIADOMIENIE”, który stanowi część jego dystrybucji, wszelkie dzieła pochodne dystrybuowane przez Użytkownika muszą zawierać czytelną kopię powiadomień o przynależnych prawach, zawartą w takim pliku ZAWIADOMIENIE, z wyjątkiem tych zawiadomień, które nie dotyczą żadnej części dzieł pochodnych, w co najmniej jednym z następujących miejsc: w pliku tekstowym ZAWIADOMIENIE, dystrybuowanym jako część dzieł pochodnych; w formie źródłowej lub dokumentacji, jeśli jest ona dostarczana wraz z dziełami pochodnymi; lub w formie prezentacji generowanej za każdym razem przez dzieła pochodne, jeśli normalnie pojawiają się takie powiadomienia dotyczące stron trzecich. Zawartość pliku ZAWIADOMIENIE ma wyłącznie charakter informacyjny i w żaden sposób nie może modyfikować licencji. Użytkownik może dodawać własne zawiadomienia o przynależnych prawach w dziełach pochodnych, które dystrybuuje, wraz z tekstem ZAWIADOMIENIA lub jako dodatek do tekstu ZAWIADOMIENIA pochodzącego z dzieła, pod warunkiem że takie dodatkowe zawiadomienia o przynależnych prawach nie mogą być interpretowane jako modyfikowanie licencji. Użytkownik może dodać własne oświadczenie o prawach autorskich do swoich modyfikacji i może dostarczyć dodatkowe lub inne warunki licencji na użytkowanie, powielanie lub dystrybucję modyfikacji Użytkownika lub wszelkich takich dzieł pochodnych jako całości, pod warunkiem że używanie, powielanie i dystrybucja dzieła przez Użytkownika pod wszystkimi innymi względami spełnia wymogi podane w warunkach określonych w niniejszej licencji.

5. Przesyłanie wkładów.

O ile Użytkownik wyraźnie nie zawiadomi inaczej, wszelkie wkłady umyślnie przesłane Licencjodawcy w celu włączenia do dzieła będą podlegać warunkom niniejszej licencji bez żadnych dodatkowych warunków. Bez względu na powyższe postanowienia, żadne postanowienie nie zastępuje ani nie zmienia warunków jakiegokolwiek odrębnej umowy licencyjnej, którą Użytkownik mógł zawrzeć z Licencjodawcą w odniesieniu do takich wkładów.

6. Znaki towarowe.

Niniejsza Licencja nie udziela pozwolenia na używanie nazw handlowych, znaków towarowych, znaków usługowych ani nazw produktów Licencjodawcy, z wyjątkiem sytuacji, gdy jest to wymagane do rozsądnego i zwyczajowego użycia w opisie pochodzenia dzieła i reprodukcji zawartości pliku ZAWIADOMIENIE.

7. Wyłączenie gwarancji.

O ile nie jest to wymagane przez obowiązujące prawo lub nie zostało uzgodnione na piśmie, Licencjodawca dostarcza dzieło (a każdy Współautor dostarcza swój wkład) W STANIE, W JAKIM JEST, BEZ UDZIELANIA JAKIKOLWIEK GWARANCJI LUB WARUNKÓW, wyraźnych lub dorozumianych, w tym bez ograniczeń, wszelkich gwarancji lub warunków dotyczących TYTUŁU, NIENARUSZANIA PRAW, PRZYDATNOŚCI HANDLOWEJ LUB PRZYDATNOŚCI DO OKREŚLONEGO CELU. Użytkownik ponosi wyłączną odpowiedzialność za określenie przydatności dzieła do używania lub redystrybucji oraz za wszelkie ryzyka związane z wykonywaniem przez niego uprawnień na mocy niniejszej licencji. 8. Ograniczenie odpowiedzialności. W żadnym wypadku i na podstawie żadnej teorii prawnej, niezależnie od tego, czy jest to odpowiedzialność ścisła (obejmująca zaniedbania), umowna, czy inna, chyba że jest to wymagane przez obowiązujące prawo (na przykład w związku z umyślnymi i rażącymi aktami zaniedbania) lub uzgodnione na piśmie, żaden Współautor nie ponosi odpowiedzialności wobec Użytkownika za szkody, w tym wszelkiego rodzaju szkody bezpośrednie, pośrednie, szczególne, przypadkowe lub wynikowe, powstałe w

wyniku zastosowania niniejszej licencji albo użytkowania lub niemożności użytkowania dzieła (w tym między innymi, lecz nie wyłącznie, szkody spowodowane stratami wizerunkowymi, zatrzymaniem pracy, awarią lub nieprawidłowym działaniem komputerów, ani wszelkie inne szkody lub straty handlowe), nawet jeśli Współautor został powiadomiony o możliwości wystąpienia takich szkód.

9. Akceptowanie gwarancji lub dodatkowej odpowiedzialności.

Podczas redystrybucji dzieła lub dzieł pochodnych Użytkownik może zaopferować i obciążyć opłatami akceptację wsparcia, gwarancji, odszkodowania lub innych zobowiązań i/lub praw zgodnych z niniejszą licencją. Jednakże Użytkownik akceptujący takie zobowiązania może działać wyłącznie w swoim imieniu i na swoją wyłączną odpowiedzialność, ale nie w imieniu żadnego innego Współautora, i tylko wtedy, gdy wyraża zgodę na zwolnienie z odpowiedzialności, obronę i zwolnienie każdego Współautora z wszelkiej odpowiedzialności i wszelkich roszczeń wobec takiego Współautora związanych z zaakceptowaniem przez Użytkownika takiej gwarancji lub dodatkowej odpowiedzialności. KONIEC WARUNKÓW

ÍNDICE

Introdução.....	368	Transporte, armazenamento e eliminação.....	382
Segurança.....	370	Especificações técnicas.....	383
Montagem.....	377	Acessórios.....	384
Funcionamento.....	378	Declaração de conformidade.....	385
Manutenção.....	380	Licenças.....	386
Resolução de problemas.....	381	Anexo	507

Introdução

Descrição do produto

O Husqvarna Aspire T28-P4A é um aparador de relva a bateria com motor elétrico.

Decorre um trabalho constante para aumentar a sua segurança e eficiência durante o funcionamento. Para mais informações, contacte o revendedor com assistência técnica.

Finalidade

O produto é utilizado com uma cabeça do aparador para cortar relva. Não utilize o produto para outras tarefas que não aparar e desbastar relva.

Vista geral do produto

(Fig. 1)

1. Cabeça do aparador
2. Proteção do acessório de corte

Nota: A legislação nacional pode limitar a utilização deste produto.

Guia rápido

Leia o código QR para obter conselhos sobre como utilizar o produto.

(Fig. 20)

3. Proteção de plantas
4. Ajuste do eixo (telescópio)
5. Eixo

6. Punho fechado
7. Cobertura de manutenção
8. Botão de ajuste do punho fechado
9. Interface do utilizador
10. Indicador de aviso
11. Indicador do estado de carga
12. Botão On/Off
13. Interruptor de alimentação
14. Bloqueio do interruptor de alimentação
15. Bateria (P4A 18-B45)
16. Botão de desengate da bateria
17. Bateria (P4A 18-B72)
18. Carregador de bateria (P4A 18-C70)
19. Conetor
20. Indicador de dispositivo ligado e aviso
21. Ferramenta múltipla
22. Gancho de parede
23. Parafusos e buchas para gancho de parede
24. Manual do utilizador

- (Fig. 10) Não utilize lâminas de metal.
- (Fig. 11) O produto está em conformidade com as diretivas aplicáveis da UE.
- (Fig. 12) O produto está em conformidade com os regulamento aplicáveis do Reino Unido.
- (Fig. 13) Corrente contínua.
- (Fig. 17) A distância entre a máquina e terceiros deve ser de, pelo menos, 15 m (50 pés).
- aaaassxxxx** A etiqueta de tipo ou a impressão a laser apresenta o número de série. **aaaa** é o ano de fabrico e **ss** é a semana de fabrico.

Símbolos no produto

- (Fig. 2) AVISO: Este produto pode ser perigoso e provocar ferimentos graves ou a morte do operador ou de terceiros. Seja cuidadoso e utilize o produto corretamente.
- (Fig. 3) Leia o manual do utilizador com atenção e certifique-se de que compreende as instruções antes de utilizar o produto.
- (Fig. 4) Use proteção ocular.
- (Fig. 5) Não exponha à chuva.
- (Fig. 6) Emissões de ruído para a etiqueta ambiental de acordo com as diretivas e regulamentos da União Europeia e do Reino Unido e o regulamento "Protection of the Environment Operations (Noise Control) Regulation 2017" (regulamento de proteção de operações no meio ambiente [controlo do ruído] de 2017) da Nova Gales do Sul. O nível de potência sonora garantido do produto está especificado nas *Especificações técnicas na página 383*.
- (Fig. 7) Desligue a bateria antes da manutenção.
- (Fig. 8) O produto ou a respetiva embalagem não são resíduos domésticos. Recicle o equipamento numa estação de reciclagem para equipamentos elétricos e eletrónicos.
- (Fig. 9) Tenha cuidado com objetos projetados.

Símbolos no produto

- (Fig. 2) AVISO: Este produto pode ser perigoso e provocar ferimentos graves ou a morte do operador ou de terceiros. Seja cuidadoso e utilize o produto corretamente.
- (Fig. 3) Leia o manual do utilizador com atenção e certifique-se de que compreende as instruções antes de utilizar o produto.
- (Fig. 4) Use proteção ocular.
- (Fig. 5) Não exponha à chuva.
- (Fig. 6) Emissões de ruído para a etiqueta ambiental de acordo com as diretivas e regulamentos da UE (incluindo a legislação de Nova Gales do Sul) e do Reino Unido. Os dados das emissões de ruído podem ser encontrados na etiqueta da máquina no capítulo Especificações técnicas.
- (Fig. 7) Desligue a bateria antes da manutenção.
- (Fig. 8) O produto ou a respetiva embalagem não são resíduos domésticos. Recicle o equipamento numa estação de reciclagem para equipamentos elétricos e eletrónicos.
- (Fig. 9) Tenha cuidado com objetos projetados.
- (Fig. 10) Não utilize lâminas de metal.
- (Fig. 11) O produto está em conformidade com as diretivas aplicáveis da UE.

(Fig. 13) Corrente contínua.

(Fig. 17) A distância entre a máquina e terceiros deve ser de, pelo menos, 15 m (50 pés).

aaaassxxxx A etiqueta de tipo ou a impressão a laser apresenta o número de série. **aaaa** é o ano de fabrico e **ss** é a semana de fabrico.

Símbolos na bateria e/ou no carregador de bateria

(Fig. 18) Recicle este produto numa estação de reciclagem para equipamentos elétricos e eletrónicos. (Válido unicamente na Europa)

(Fig. 19) Utilize a bateria apenas em produtos de parceiros do sistema POWER FOR ALL.

(Fig. 14) Transformador contra-falhas.

(Fig. 15) Utilize e armazene o carregador de bateria apenas em espaços interiores.

(Fig. 16) Isolamento duplo.

Danos no produto

Não somos responsáveis por danos no nosso produto se:

- o produto tiver sido incorretamente reparado.
- o produto tiver sido reparado com peças que não sejam do fabricante ou que não sejam aprovadas pelo fabricante.
- o produto tiver um acessório que não seja do fabricante ou que não seja aprovado pelo fabricante.
- o produto não tiver sido reparado por um centro de assistência autorizado ou por uma autoridade aprovada.

Fabricante

Husqvarna AB
SE-561 82, Huskvarna, Sweden

Segurança

Definições de segurança

Os avisos, as precauções e as notas são utilizados para indicar partes especialmente importantes do manual.



ATENÇÃO: Utilizado no caso de existir risco de ferimento ou morte para o utilizador ou transeuntes, se não forem respeitadas as instruções do manual.



CUIDADO: Utilizado se existir risco de danos para o produto, para outros materiais ou para a área adjacente, se não forem respeitadas as instruções do manual.

Nota: Utilizado para disponibilizar informações adicionais necessárias numa determinada situação.

Avisos gerais de segurança da ferramenta eléctrica



ATENÇÃO: Leia todos os avisos de segurança e todas as instruções. O incumprimento dos avisos e das instruções poderá resultar em choques elétricos, incêndios e/ou ferimentos graves.

Nota: Guarde todos os avisos e instruções para referência futura. O termo "ferramenta eléctrica" nos avisos refere-se à sua ferramenta eléctrica com ligação à corrente (com cabo) ou ferramenta eléctrica com bateria (sem cabo).

Verificação pré-arranque

- Retire sempre a bateria para evitar que o produto comece a funcionar acidentalmente. Retire sempre a bateria antes de realizar qualquer tipo de manutenção no produto.
- Antes de utilizar o produto e após um impacto, verifique se existem sinais de desgaste ou danos e proceda à respetiva reparação, conforme necessário.
- Inspeccione a área de trabalho. Remova todos os objetos soltos, como pedras, vidros partidos, pregos, arame, cordas, etc., que possam ser arremessados ou enredar-se na cortadora ou na respetiva proteção.
- Verifique o motor quanto à existência de sujidade e fissuras. Limpe a relva e as folhas do motor com uma escova. Deve-se usar luvas quando necessário.
- Certifique-se de que a cabeça do aparador se encontra totalmente ligada ao aparador.

- Verifique se o produto está em perfeitas condições de funcionamento. Certifique-se de que todas as porcas e os parafusos estão bem apertados.
- Verifique se a cabeça do aparador e a proteção do aparador não apresentam danos e fissuras. Substitua a cabeça do aparador ou a proteção do aparador se tiverem sido sujeitas a impactos ou se apresentarem fissuras. Utilize sempre a proteção recomendada para o acessório de corte específico. Consulte o capítulo de especificações técnicas.
- O utilizador do produto tem de verificar se não se encontra qualquer pessoa ou animal num raio de 15 metros enquanto trabalha. Sempre que vários utilizadores se encontrem a trabalhar em simultâneo no mesmo local, a distância de segurança deve ser, no mínimo, de 15 metros.
- Efetue uma inspeção geral do produto antes de o utilizar. Observe o esquema de manutenção.
- A utilização pode estar sujeita a regulamentos nacionais ou locais. Respeite os regulamentos estabelecidos.

Segurança no local de trabalho

- **Mantenha a área de trabalho limpa e bem iluminada.** Áreas desarrumadas ou escuras convidam ao acidente.
- **Não maneje ferramentas eléctricas em ambientes explosivos, tal como na presença de líquidos inflamáveis, gases ou poeiras.** As ferramentas eléctricas criam faíscas que podem poeiras ou gases.
- **Mantenha as crianças e restantes pessoas afastadas enquanto maneja uma ferramenta eléctrica.** As distrações podem fazê-lo perder o controlo.

Segurança no manejo de eletricidade

- **As fichas das ferramentas eléctricas têm de corresponder à tomada eléctrica. Nunca modifique a ficha de qualquer forma. Não utilize quaisquer fichas adaptadoras com ferramentas eléctricas ligadas à terra.** As fichas inalteradas e as tomadas correspondentes reduzem o risco de choque eléctrico.
- **Evite o contacto corporal com superfícies ligadas à terra, tais como tubos, radiadores, fogões e frigoríficos.** Existe um risco acrescido de choque eléctrico se o seu corpo estiver em contacto com a terra.
- **Não exponha ferramentas eléctricas a chuva ou condições de elevada humidade.** A entrada de água numa ferramenta eléctrica aumenta o risco de choque eléctrico.
- **Não danifique o fio eléctrico. Nunca utilize o cabo eléctrico para transportar, puxar ou desligar a ferramenta eléctrica da tomada. Mantenha o cabo eléctrico afastado de fontes de calor, óleo, arestas afiadas ou de peças em movimento.** Os fios eléctricos danificados ou emaranhados aumentam o risco de choque eléctrico.

- **Ao operar uma ferramenta eléctrica no exterior, utilize um cabo de extensão adequado para utilização em exteriores.** A utilização de um cabo eléctrico adequado para utilização no exterior reduz o risco de choque eléctrico.
- **Se não puder evitar operar uma ferramenta eléctrica em locais húmidos, utilize uma fonte de alimentação com corta-circuito com um dispositivo de corrente residual (RDC).** A utilização de um dispositivo de corrente residual (RCD) reduz o risco de choque eléctrico.

Segurança pessoal

- **Mantenha-se alerta, tenha atenção ao que está a fazer e use o bom senso ao operar uma ferramenta eléctrica. Não utilize uma ferramenta eléctrica se estiver cansado ou sob a influência de drogas, álcool ou medicação.** Um momento de desatenção durante o manejo de ferramentas eléctricas pode resultar em lesões pessoais graves.
- **Use equipamento de proteção pessoal. Use sempre proteção ocular.** A utilização de equipamento de proteção como máscara antipoeira, calçado de segurança antiderrapante, capacete ou protetores acústicos nas condições apropriadas irá reduzir os ferimentos pessoais.
- **Prevenção de arranjo não intencional. Certifique-se de que o interruptor se encontra desligado antes de ligar à fonte de alimentação e/ou à bateria, de pegar ou transportar a ferramenta.** Transportar ferramentas eléctricas com o dedo no interruptor ou ligar ferramentas eléctricas à corrente eléctrica com o interruptor ligado é um convite aos acidentes.
- **Remova qualquer chave de ajuste ou chave de porcas antes de ligar a ferramenta à corrente eléctrica.** Uma chave de porcas ou uma chave ligada a uma peça em rotação da ferramenta eléctrica pode resultar em lesões pessoais.
- **Não se debruce. Mantenha o equilíbrio e os pés sempre bem assentes.** Isto permite um melhor controlo da ferramenta eléctrica em situações inesperadas.
- **Vista-se adequadamente. Não use peças de roupa soltas ou jóias. Mantenha o cabelo e roupas longe de quaisquer peças em movimento.** Roupas soltas, jóias ou cabelo comprido podem ser apanhados nas peças em movimento.
- **Se forem fornecidos dispositivos para a ligação de equipamentos de extração e de recolha de poeiras, assegure-se de que estes estão ligados e são utilizados corretamente.** A utilização da recolha de poeiras pode reduzir os riscos relacionados com poeiras.
- **Siga sempre os princípios de segurança das ferramentas, mesmo que já esteja familiarizado com as ferramentas, devido à utilização frequente das mesmas.** Uma ação descuidada pode provocar ferimentos graves numa fração de segundo.
- A emissão de vibrações durante a utilização da ferramenta pode ser diferente do valor total

declarado, dependendo da forma como a ferramenta é utilizada. Os operadores devem identificar as medidas de segurança necessárias à sua protecção, com base numa estimativa de exposição em condições reais de utilização (tendo em conta todas as fases do ciclo de operação, tais como o número de vezes que a ferramenta é ligada e desligada e quando está em rotação em vazio ou activada).

Utilização e manutenção de ferramentas eléctricas

- **Não force a ferramenta eléctrica. Use a ferramenta eléctrica correcta para a sua aplicação.** A ferramenta eléctrica correcta fará um trabalho melhor e mais seguro ao ritmo para o qual foi desenhada.
- **Não use a ferramenta eléctrica se o interruptor não ligar ou desligar.** Qualquer ferramenta eléctrica que não possa ser controlada com o interruptor é perigosa e tem de ser reparada.
- **Desligue a ficha da fonte de alimentação eléctrica e/ou retire a bateria, se amovível, da ferramenta eléctrica antes de efetuar qualquer ajuste, mudar acessórios ou guardar ferramentas eléctricas.** Estas medidas de prevenção reduzem o risco de ligar a ferramenta eléctrica acidentalmente.
- **Guarde ferramentas eléctricas que não estão na ser utilizadas fora do alcance das crianças e não permita que qualquer pessoa não familiarizada com a ferramenta eléctrica ou com as suas instruções manje a ferramenta eléctrica.** As ferramentas eléctricas são perigosas nas mãos de utilizadores inexperientes.
- **Efetue a manutenção das ferramentas eléctricas e dos acessórios.** Verifique quanto a desalinhamentos ou bloqueio de peças móveis, danos de peças e qualquer outra condição que possa afectar o funcionamento da ferramenta eléctrica. Se estiver danificada, repare a ferramenta eléctrica antes de a usar. Muitos acidentes são causados por ferramentas eléctricas com má manutenção.
- **Mantenha as ferramentas de corte afiadas e limpas.** Ferramentas de corte com as zonas de corte afiadas e bem mantidas têm menos probabilidades de bloquear e são mais fáceis de controlar.
- **Use a ferramenta eléctrica, acessórios e brocas, etc. de acordo com estas instruções, tomando em consideração as condições de funcionamento e o trabalho a ser executado.** A utilização da ferramenta eléctrica para operações diferentes das previstas pode resultar numa situação perigosa.
- **Mantenha os punhos e as superfícies onde se segura secos, limpos e sem óleo nem massa lubrificante.** As superfícies onde se segura e os punhos escorregadios não permitem um controlo e um manuseamento seguros do produto em situações inesperadas.

Utilização e manutenção da bateria

- **Recarregue a bateria apenas com o carregador especificado pelo fabricante.** Um carregador

adequado para um tipo de bateria pode criar risco de incêndio quando usado com outra bateria.

- **Utilize produtos apenas com as baterias especificamente concebidas para os mesmos.** A utilização de quaisquer outras baterias pode criar risco de ferimentos e incêndio.
- **Quando a bateria não está a ser utilizada, mantenha-a afastada de outros objetos metálicos, como clips, moedas, chaves, pregos, parafusos ou outros objetos metálicos pequenos que possam fazer a ligação entre os dois terminais.** Provocar curto-circuitos nos terminais das baterias pode provocar queimaduras ou um incêndio.
- **Em condições extremas, é possível que o líquido da bateria verta; evite o contacto. Se ocorrer algum contacto accidental, lave com água. Se o líquido entrar em contacto com os olhos, procure assistência médica adicional.** O líquido vertido da bateria pode provocar irritações ou queimaduras.
- **Não utilize uma bateria ou uma ferramenta que se encontre danificada ou modificada.** As baterias danificadas ou modificadas podem apresentar um comportamento imprevisível que pode resultar em incêndios, explosões ou ferimentos graves.
- **Não exponha uma bateria ou uma ferramenta a fogo ou temperaturas excessivas.** A exposição a incêndios ou a temperaturas acima de 130 °C/265 °F pode provocar uma explosão.
- **Siga todas as instruções de carregamento e não carregue a bateria ou a ferramenta fora do intervalo de temperatura especificado nas instruções.** Os carregamentos impróprios ou a temperaturas fora do intervalo especificado podem danificar a bateria e aumentar o risco de incêndio.

Assistência

- **Garanta que a manutenção da sua ferramenta eléctrica é efetuada por um técnico de reparações qualificado e que utilize apenas peças de substituição idênticas.** Isto irá assegurar que a segurança das ferramentas eléctricas é mantida.
- **Nunca deve efetuar a manutenção de baterias danificadas.** A manutenção das baterias deve ser efetuada apenas pelo fabricante ou por prestadores de serviços autorizados.

Use sempre o seu bom senso

Não é possível cobrir todas as situações possíveis que poderá enfrentar. Actue sempre com precaução e use de senso comum. Evite todas as situações que considere estarem para além das suas capacidades. Caso se sinta inseguro acerca dos procedimentos de operação depois de ler estas instruções, consulte um perito antes de prosseguir.



ATENÇÃO: Nunca permita que uma criança utilize a máquina ou se encontre na proximidade da mesma. Uma vez que a máquina se liga facilmente, as crianças podem conseguir ligá-la se não forem

vigiadas em permanência. Isto pode implicar um risco de ferimentos pessoais graves. Por isso, desligue a bateria quando a máquina não estiver sob vigilância.

Instruções de segurança gerais



ATENÇÃO: Leia as instruções de aviso que se seguem antes de utilizar o produto.

- Retire a bateria para evitar que o produto seja ligado acidentalmente.
- Se o utilizador não for cuidadoso ou se o produto for utilizado de forma incorreta, este produto é uma ferramenta perigosa. Este produto pode provocar ferimentos graves ou a morte do utilizador ou terceiros.
- Não utilize o produto se este for alterado da sua especificação inicial. Não altere uma parte do produto sem a aprovação do fabricante. Utilize apenas peças que sejam aprovadas pelo fabricante. Ferimentos ou morte são resultados possíveis de manutenção incorreta.
- Verifique o produto antes de o utilizar. Consulte, *Verificação pré-arranque na página 370 e Antes de utilizar o produto na página 378*. Não utilize um produto que esteja danificado ou que não funcione corretamente. Efetue as verificações de segurança e cumpra as instruções de manutenção e assistência técnica descritas neste manual.
- As crianças devem ser vigiadas para garantir que não brincam com o produto. Não permita em circunstância alguma que uma criança ou outras pessoas que não saibam utilizar o produto e/ou a bateria o utilizem ou realizem operações de manutenção. A legislação local pode regular a idade do utilizador permitida.
- Mantenha o produto numa área trancada para impedir o acesso a crianças ou pessoas que não disponham de aprovação.
- Mantenha o produto fora do alcance de crianças.
- Não é permitido modificar, em circunstância alguma, a configuração original do produto sem a autorização expressa do fabricante. Utilize sempre acessórios originais. A realização de modificações e/ou a utilização de acessórios não autorizados podem provocar ferimentos pessoais graves ou perigo de vida para o utilizador e terceiros.

Nota: A utilização pode estar sujeita a legislação nacional ou local. Respeite os regulamentos estabelecidos.

Instruções de segurança para funcionamento



ATENÇÃO: Leia as instruções de aviso que se seguem antes de utilizar o produto.

- **Não utilize a máquina em más condições climatéricas, principalmente quando existir risco de ocorrência de relâmpagos.** Isto diminui o risco de ser atingido por relâmpagos.
- **Inspecione cuidadosamente a área quanto à existência de vida selvagem no local onde a máquina será utilizada.** A vida selvagem pode ser ferida pela máquina durante o funcionamento.
- **Inspecione minuciosamente a área onde a máquina será utilizada e retire todas as pedras, paus, fios, ossos e outros objetos estranhos.** Os objetos projetados podem causar ferimentos pessoais.
- **Antes de utilizar a máquina, verifique sempre visualmente se a lâmina e o conjunto da lâmina não se encontram danificados.** As peças danificadas aumentam o risco de ferimentos.
- **Mantenha as proteções no devido lugar. As proteções têm de estar em bom estado de funcionamento e corretamente montadas.** Uma proteção solta, danificada ou a funcionar incorretamente pode resultar em ferimentos pessoais.
- **Mantenha todas as entradas de ar de refrigeração livres de detritos.** Entradas de ar obstruídas e detritos podem resultar em sobreaquecimento ou risco de incêndio.
- **Utilize sempre proteção ocular e auricular.** O equipamento de proteção adequado reduz os ferimentos pessoais.
- **Durante o funcionamento da máquina, utilize sempre calçado antiderrapante e de proteção. Não opere a máquina se estiver descalço ou com sandálias abertas.** Isto reduz a possibilidade de ferimentos nos pés devido ao contacto com a lâmina em movimento.
- **Utilize sempre vestuário, como calças, que proteja as pernas durante o funcionamento da máquina.** O contacto com a lâmina ou linha em movimento pode provocar ferimentos.
- **Mantenha as pessoas afastadas durante o funcionamento da máquina.** A projeção de detritos pode causar ferimentos pessoais graves.
- **Não opere a máquina acima da altura da cintura.** Isto ajuda a evitar o contacto acidental da lâmina com objetos e proporciona um melhor controlo da máquina em situações imprevistas.
- **Tenha cuidado ao utilizar a máquina em relva molhada. Caminhe, nunca corra.** Isto reduz o risco de escorregamento e queda, que pode resultar em ferimentos pessoais.
- **Não opere a máquina em declives excessivamente íngremes.** Isto reduz o risco de perda de controlo,

escorregamento e queda, que pode resultar em ferimentos pessoais.

- **Ao trabalhar em declives, certifique-se sempre da colocação dos pés, trabalhe sempre ao longo da face dos declives, nunca para cima ou para baixo, e tenha muito cuidado ao mudar de direção.** Isto reduz o risco de perda de controlo, escorregamento e queda, que pode resultar em ferimentos pessoais.
- **Mantenha todos os fios elétricos e outros cabos afastados da área de corte.** Os cabos ou fios elétricos podem estar ocultos em sebes ou arbustos e podem ser acidentalmente cortados ou danificados pela linha ou lâmina.
- **Mantenha todas as partes do corpo afastadas da lâmina ou linha do aparador em movimento. Não retire material da máquina até que esta tenha sido desligada da fonte de alimentação.** A lâmina ou linha do aparador em movimento pode provocar ferimentos pessoais graves.
- **Transporte a máquina desligada e afastada do seu corpo.** O manuseamento adequado da máquina irá reduzir a probabilidade de contacto accidental com a lâmina ou linha do aparador em movimento.
- **Utilize apenas cabeças de corte e lâminas ou linhas do aparador de substituição especificadas pelo fabricante. Não substitua as lâminas ou linhas do aparador por fios ou lâminas metálicos.** As peças de substituição incorretas podem causar perda de controlo, quebra e ferimentos.

Equipamento de proteção pessoal



ATENÇÃO: Leia as instruções de aviso que se seguem antes de utilizar o produto.

- Utilize sempre equipamento de proteção pessoal aprovado ao utilizar o produto. O equipamento de proteção pessoal não previne totalmente os ferimentos mas diminui a respetiva gravidade em caso de acidente. Obtenha ajuda junto do seu revendedor para selecionar o equipamento certo.
- Utilize protetores acústicos aprovados.

(Fig. 21)

- Utilize proteção ocular aprovada. Mesmo com viseira, é necessário utilizar óculos de proteção aprovados. É necessário que os óculos de proteção aprovados estejam em conformidade com a norma ANSI Z87.1 nos EUA ou a norma EN 166 nos países da UE.

(Fig. 22)

- Utilize luvas sempre que necessário; por exemplo, ao fixar, examinar ou limpar o equipamento de corte.

(Fig. 23)

- Utilize botas de proteção com biqueira de aço e solas antiderrapantes.

(Fig. 24)

- Utilize vestuário fabricado com um tecido resistente. Utilize sempre calças e mangas compridas grossas. Não utilize vestuário largo que possa ficar preso em galhos e ramos. Não utilize joias, calções ou sandálias. Não realize as tarefas descalço(a). Coloque o seu cabelo acima dos ombros para maior segurança.
- Mantenha equipamentos de primeiros socorros sempre à mão.

(Fig. 25)

Dispositivos de segurança no produto



ATENÇÃO: Leia as instruções de aviso que se seguem antes de utilizar o produto.

Nesta secção, descrevem-se as características de segurança do produto, a sua função e ainda a forma de efetuar a verificação e manutenção para garantir o funcionamento correto do mesmo. Consulte as instruções na secção *Introdução na página 368* para conhecer a localização destas peças no seu produto.

Se a manutenção do produto não for devidamente efetuada, e se a assistência e/ou as reparações não forem realizadas por profissionais, a vida útil do produto pode ser afetada e o risco de acidentes pode aumentar. Para obter mais informações, contacte o seu distribuidor local.



ATENÇÃO: Nunca utilize um produto com componentes de segurança danificados. O equipamento de segurança do produto tem de ser inspecionado e a sua manutenção feita conforme se descreve nesta secção. Se o produto falhar alguma destas verificações, entre em contacto com uma oficina autorizada para a sua reparação.



CUIDADO: Todos os trabalhos de manutenção e reparação da máquina requerem formação especializada. Isto aplica-se especialmente ao equipamento de segurança da máquina. Se a máquina falhar alguma das verificações que se seguem, é necessário contactar a sua oficina autorizada. A compra de qualquer um dos nossos produtos garante-lhe a obtenção de reparação e assistência profissionais. Se o local da compra da máquina não for um dos nossos distribuidores com assistência técnica, solicite a morada do agente de assistência mais próximo.

Verificar a interface do utilizador

Os LED verdes (A) indicam o estado da bateria quando o produto está ligado mas não está em funcionamento.

1. Mantenha premido o botão On/Off (B). (Fig. 26)
 - a) O produto está ligado quando os LED verdes (A) estão acesos.
 - b) O produto está desligado quando os LED verdes (A) estão apagados.
2. Consulte *Resolução de problemas na página 381* se o indicador de aviso (C) se acender ou ficar intermitente.

Verificar o bloqueio do interruptor de alimentação

O bloqueio do interruptor de alimentação impede um arranque acidental. Ao premir o bloqueio do interruptor de alimentação (A), este solta o interruptor de alimentação (B). Quando solta o punho, o interruptor de alimentação e o respetivo bloqueio regressam às suas posições iniciais. (Fig. 27)

1. Certifique-se de que o interruptor de alimentação está bloqueado quando o bloqueio do interruptor de alimentação se encontra na respetiva posição inicial.

(Fig. 28)

2. Empurre o interruptor de alimentação e certifique-se de que este regressa à respetiva posição inicial quando é libertado.

(Fig. 29)

3. Certifique-se de que o interruptor de alimentação e o respetivo bloqueio se deslocam livremente e que a mola de retorno funciona corretamente.

(Fig. 30)

4. Ligue o produto. Consulte *Arranque na página 379*.
5. Solte o interruptor de alimentação e certifique-se de que o acessório de corte para completamente.

Verificar a proteção do acessório de corte



ATENÇÃO: Não utilize um acessório de corte sem uma proteção para o acessório de corte aprovada e corretamente instalada. Utilize sempre a proteção do equipamento de corte recomendada para o equipamento de corte que utilizar; consulte *Especificações técnicas na página 383*. Caso esteja montada uma proteção do acessório de corte incorreta ou defeituosa, tal pode causar ferimentos pessoais graves.

A proteção do acessório de corte protege o utilizador dos objetos que são projetados na sua direção. A proteção do acessório de corte também evita ferimentos que podem ocorrer se tocar no acessório de corte.

1. Pare o motor.

2. Efetue uma inspeção visual para verificar se existem danos, como por exemplo fissuras.
3. Substitua a proteção do equipamento de corte, caso esteja danificada.

Equipamento de corte

Selecione o equipamento de corte correto e efetue a manutenção do equipamento de corte para:

- Obter o máximo desempenho de corte.
- Aumentar a vida útil do equipamento de corte.



ATENÇÃO: Utilize apenas acessórios de corte com as proteções recomendadas! Consulte *Especificações técnicas na página 383*. Consulte as instruções do acessório de corte para encontrar a forma correta de carregar a linha do aparador e o respetivo diâmetro correto.



ATENÇÃO: Um acessório de corte defeituoso pode aumentar o risco de acidentes.

Cabeçote de recorte



ATENÇÃO: Certifique-se sempre de que a linha do aparador é enrolada firme e uniformemente à volta do tambor, para evitar a ocorrência de vibrações prejudiciais.

(Fig. 31)

- Utilize apenas linhas e cabeças do aparador recomendadas.
- Utilize apenas acessórios de corte recomendados.
- Máquinas mais pequenas requerem cabeças do aparador pequenas e vice-versa.
- O comprimento da linha do aparador é importante. Uma corda de corte mais comprida requer maior potência do motor do que uma corda mais curta de igual diâmetro.
- Certifique-se de que a cortadora da proteção de recorte está intacta. Isto corta a linha do aparador com o comprimento correto.
- Embeba a linha do aparador em água durante dois dias antes da utilização para aumentar a vida útil.

Segurança da bateria



ATENÇÃO: Leia todas as instruções gerais e de segurança. O incumprimento das instruções gerais e de segurança poderá resultar em choques elétricos, incêndios e/ou ferimentos graves. **Guarde todas as informações de segurança e instruções gerais para referência futura.**

- **Estas instruções de segurança aplicam-se apenas a baterias de íões de lítio de 18 V recarregáveis para o sistema POWER FOR ALL.**
- **Utilize a bateria recarregável apenas em produtos de parceiros do sistema POWER FOR ALL.** As baterias recarregáveis de 18 V com a indicação POWER FOR ALL são totalmente compatíveis com os seguintes produtos:
 - Todos os produtos do sistema de baterias POWER FOR ALL de 18 V.
 - Todos os produtos de 18 V de parceiros do sistema POWER FOR ALL.
- **Respeite as recomendações para a bateria no manual de funcionamento do produto.** Só assim a bateria recarregável e o produto podem ser utilizados sem perigo e as baterias recarregáveis estão protegidas contra sobrecargas perigosas.
- **Carregue as baterias apenas com carregadores recomendados pelo fabricante ou por parceiros do sistema POWER FOR ALL.** Um carregador adequado para um tipo de bateria pode representar um risco de incêndio quando utilizado com uma bateria diferente.
- **A bateria é fornecida parcialmente carregada.** Para garantir a capacidade total da bateria, carregue completamente a bateria no carregador antes de utilizar a ferramenta elétrica pela primeira vez.
- **Mantenha as baterias fora do alcance de crianças.**
- **Não abra a bateria.** Existe um risco de curto-circuito.
- **Em caso de danos e utilização inadequada da bateria, pode ocorrer a emissão de vapores. A bateria pode incendiar ou explodir.** Certifique-se de que a área está bem ventilada e procure assistência médica caso sinta quaisquer efeitos adversos. Os vapores podem provocar a irritação do sistema respiratório.
- **Se o produto for utilizado incorretamente ou se a bateria estiver danificada, pode ser vertido líquido inflamável da bateria. O contacto com este líquido deve ser evitado. Se ocorrer algum contacto accidental, lave com água. Se o líquido entrar em contacto com os olhos, procure assistência médica adicional.** O líquido vertido da bateria pode provocar irritações ou queimaduras.
- **Se a bateria estiver danificada, o líquido pode ser vertido e revestir as superfícies próximas. Verifique as peças afetadas.** Limpe as respetivas peças ou substitua-as, se necessário.
- **Não provoque um curto-circuito da bateria. Quando a bateria não estiver a ser utilizada, mantenha-a afastada de outros objetos metálicos, como clips, moedas, chaves, pregos, parafusos ou outros objetos metálicos pequenos que possam fazer a ligação entre os dois terminais.** Provocar curto-circuitos nos terminais das baterias pode provocar queimaduras ou um incêndio.
- **A bateria pode ser danificada por objetos pontiagudos, como pregos ou chaves de parafusos, ou por força aplicada externamente.** Pode ocorrer

um curto-circuito interno, provocando a combustão, a libertação de fumos, a explosão ou o sobreaquecimento da bateria.

- **Nunca efetue a manutenção de baterias danificadas.** A manutenção das baterias deve ser efetuada apenas pelo fabricante ou por prestadores de serviços autorizados.
- **Proteja a bateria de calor, por exemplo, contra luz solar intensa e contínua, fogo, sujidade, água e humidade.** Existe um risco de explosão e curto-circuito.
- **Utilize a bateria do produto apenas quando a temperatura ambiente se encontrar entre -5 °C — 40 °C.**
- **Apenas armazene a bateria a uma temperatura ambiente entre -20 °C — 50 °C.** Não deixe a bateria no seu automóvel durante o verão, por exemplo. A temperaturas < 0 °C, alguns dispositivos podem sofrer uma perda de potência.
- **Apenas carregue a bateria a uma temperatura ambiente entre 0 °C — 35 °C.** O carregamento fora deste intervalo de temperatura pode aumentar o risco de danos na bateria e representar um risco de incêndio.

Segurança do carregador de bateria



ATENÇÃO: Leia todas as instruções gerais e de segurança. O incumprimento das instruções gerais e de segurança poderá resultar em choques elétricos, incêndios e/ou ferimentos graves. **Guarde estas instruções num local seguro.** Utilize o carregador apenas se conseguir avaliar completamente todas as funções e executá-las sem restrições ou se tiver recebido instruções em conformidade.

- **Supervisione as crianças durante a respetiva utilização, limpeza e manutenção.** Tal irá garantir que as crianças não brincam com o carregador.
- **Carregue apenas baterias de íões de lítio do sistema POWER FOR ALL de 18 V com uma capacidade de 1,5 Ah ou superior (5 células da bateria ou mais).** A tensão da bateria deve corresponder à tensão de carregamento da bateria do carregador. Não carregue quaisquer baterias não recarregáveis. Caso contrário, existe um risco de incêndio e explosão.
- **Não exponha o carregador à chuva ou a condições de humidade.** A entrada de água numa ferramenta elétrica aumenta o risco de choque elétrico.
- **Mantenha o carregador limpo.** A sujidade constitui um risco de choque elétrico.
- **Verifique sempre o carregador, o cabo e a ficha antes da respetiva utilização. Interrompa a utilização do carregador se detetar quaisquer danos.** Não abra o carregador pessoalmente e solicite a sua reparação apenas por um especialista qualificado que utilize unicamente peças de substituição

originais. Os carregadores, os cabos e as fichas danificados aumentam o risco de choque elétrico.

- **Não utilize o carregador sobre uma superfície facilmente inflamável (por exemplo, papel, têxteis, etc.) ou num ambiente inflamável.** Existe um risco de incêndio devido ao aquecimento do carregador durante o funcionamento.
- **Recarregue a bateria apenas com o carregador especificado pelo fabricante.** Um carregador adequado para um tipo de bateria pode criar risco de incêndio quando usado com outra bateria.
- **Em caso de danos e utilização inadequada da bateria, pode ocorrer igualmente a emissão de vapores.** Certifique-se de que a área está bem ventilada e procure assistência médica caso sinta quaisquer efeitos adversos. Os vapores podem provocar a irritação do sistema respiratório.
- **Em condições extremas, é possível que o líquido seja vertido da bateria. O contacto com este líquido deve ser evitado. Se ocorrer algum contacto accidental, lave com água. Se o líquido entrar em contacto com os olhos, procure assistência médica adicional.** O líquido vertido da bateria pode provocar irritações ou queimaduras.
- **Não cubra as aberturas de ventilação do carregador.** Caso contrário, o carregador pode sobreaquecer e deixar de funcionar corretamente.
- **Caso seja necessário substituir o cabo da fonte de alimentação, e para evitar perigos para a segurança, tal deve ser efetuado pela Husqvarna ou por um centro de assistência ao cliente autorizado a reparar ferramentas elétricas da Husqvarna.**
- **Produtos vendidos apenas na Grã-Bretanha:** O seu produto está equipado com uma ficha elétrica com aprovação BS 1363/A com fusível interno (aprovação ASTA em conformidade com BS 1362). Se a ficha não for adequada para as suas saídas de tomada, esta deve ser cortada, sendo instalada no seu lugar uma ficha apropriada por uma oficina de assistência ao cliente autorizada. A ficha de substituição deve apresentar a mesma classificação de fusível que a ficha original. A ficha cortada deve ser eliminada para evitar um possível perigo de choque e nunca deve ser introduzida numa tomada de parede noutra local.



ATENÇÃO: Paragem cardíaca! Este produto produz um campo eletromagnético

durante o funcionamento. Em determinadas circunstâncias, este campo pode interferir com o funcionamento de implantes médicos ativos ou passivos. Para diminuir o risco de condições que podem causar ferimentos ou morte, recomendamos que os portadores de implantes médicos consultem o seu médico e o fabricante do implante antes de utilizar este produto.



ATENÇÃO: Risco de asfixia! As peças pequenas podem facilmente ser engolidas. Existe também o risco de o saco plástico asfixiar crianças. Mantenha as crianças afastadas enquanto monta o produto.

Instruções de segurança para manutenção



ATENÇÃO: Leia as instruções de aviso que se seguem antes de efetuar tarefas de manutenção no produto.

- Retire a bateria antes de efetuar tarefas de manutenção, outras verificações, ou de montar o produto.
- O operador só pode efetuar as tarefas de manutenção e assistência descritas neste manual do utilizador. Contacte o seu revendedor com assistência técnica para tarefas de manutenção e assistência de maior extensão.
- Não limpe a bateria ou o carregador com água. Os detergentes fortes podem danificar o plástico.
- Se não proceder à manutenção, irá diminuir o ciclo de vida do produto e aumentar o risco de acidentes.
- É necessária formação especializada para todos os trabalhos de assistência e reparação, especialmente para os dispositivos de segurança do produto. Se, após efetuar tarefas de manutenção, nem todas as verificações deste manual forem aprovadas, contacte o seu revendedor com assistência técnica. Garantimos que existem reparações e assistência profissionais disponíveis para o seu produto.
- Utilize sempre peças sobresselentes originais.

Montagem

Introdução



ATENÇÃO: Certifique-se de que lê e compreende o capítulo sobre segurança antes de montar o produto.

Fixar a proteção do aparador

1. Coloque a proteção do aparador encostada ao compartimento do motor. (Fig. 32)
2. Coloque os 2 parafusos através do compartimento do motor e da proteção do aparador. (Fig. 33)
3. Aperte os parafusos.

Montar a cabeça do aparador

1. Rode o eixo de saída até que o orifício do acionador fique alinhado com o orifício na caixa de engrenagem.
2. Instale a ferramenta múltipla no orifício para bloquear o eixo.
3. Rode a cabeça do aparador para a direita. (Fig. 34)

Instalar a proteção de plantas

1. Instale a proteção de plantas nos orifícios do compartimento do motor. (Fig. 35)
2. Certifique-se de que a proteção para plantas se pode deslocar livremente para a frente e para trás. (Fig. 36)

Instalar o gancho na parede

- Instale o gancho no interior.

- Mantenha o gancho afastado da luz solar e a uma temperatura ambiente compreendida entre $-10\text{ }^{\circ}\text{C}$ a $70\text{ }^{\circ}\text{C}$.
- Instale o gancho numa parede de gesso, madeira ou betão.



CUIDADO: Certifique-se de que a parede consegue suportar cargas de, no mínimo, 30 kg.

- Instale o gancho na parede com os 3 parafusos (A). Use buchas (B), se necessário. (Fig. 37)



CUIDADO: Certifique-se de que os parafusos são aplicáveis ao seu tipo de parede.

- Contacte a oficina autorizada da Husqvarna para obter informações sobre os acessórios de armazenamento disponíveis para o seu produto.

Funcionamento

Introdução



ATENÇÃO: Certifique-se de que lê e compreende o capítulo sobre segurança antes de usar o produto.

Antes de utilizar o produto

- Inspeccione a área de trabalho para se certificar de que conhece o tipo de terreno. Examine a inclinação do terreno e se existem obstáculos como pedras, ramos e valas.
- Proceda a uma inspeção geral do produto.
- Efetue as inspeções de segurança, manutenção e assistência fornecidas neste manual.
- Examine o motor quanto a sujidades ou fissuras. Utilize uma escova para limpar o motor de relva ou folhas. Use luvas quando necessário.
- Examine a cabeça do aparador e a proteção do acessório de corte quanto a danos ou fissuras. Substitua a cabeça do aparador e a proteção do equipamento de corte, caso tenham sido atingidos ou se tiverem fissuras.
- Certifique-se de que todas as porcas e os parafusos estão bem apertados.
- Certifique-se de que todas as coberturas, proteções, punhos e equipamentos de corte estão devidamente instalados e não danificados antes de colocar o produto a funcionar.

Bateria



ATENÇÃO: Antes de utilizar a bateria, tem de ler e compreender o capítulo sobre segurança. Deve também ler e compreender

o manual do utilizador da bateria e do carregador de bateria.

Mantenha a bateria e o respetivo carregador de bateria a temperaturas ambiente corretas.

	Temperatura ambiente
Funcionamento da bateria no produto	$-5\text{ }^{\circ}\text{C}$ — $40\text{ }^{\circ}\text{C}$
Carregamento da bateria	$0\text{ }^{\circ}\text{C}$ — $35\text{ }^{\circ}\text{C}$

Carregar a bateria

Carregue a bateria antes da primeira utilização.

Nota: A bateria não carregada se a respetiva temperatura for superior a $+35\text{ }^{\circ}\text{C}$.

1. Ligue o cabo de alimentação do carregador de bateria a uma tomada de alimentação com ligação à terra.



CUIDADO: Certifique-se de que a tomada de alimentação possui a tensão e frequência corretas.

2. Coloque a bateria no carregador da bateria. A bateria está ligada ao carregador de bateria quando o LED verde pisca. (Fig. 38)
3. A bateria está totalmente carregada quando o LED verde no carregador de bateria está aceso. Carregue a bateria no máximo durante 24 horas.
4. Desligue o carregador de bateria da tomada de alimentação.



CUIDADO: Não puxe o cabo de alimentação.

5. Retire a bateria do carregador da bateria.

LED de estado da bateria no carregador de bateria

O LED vermelho (A) e o LED verde (B) no carregador de bateria indicam o estado da bateria. Consulte *LED de estado da bateria no produto na página 379*.

(Fig. 39)

LED	Estado da bateria
O LED verde pisca rapidamente.	A bateria está a carregar.
O LED verde pisca lentamente.	A bateria tem uma carga de 80%.
O LED verde está aceso.	A bateria está totalmente carregada.
O LED vermelho está aceso.	Consulte <i>LED de estado da bateria no produto na página 379</i> .
O LED vermelho pisca rapidamente.	Consulte <i>LED de estado da bateria no produto na página 379</i> .

LED de estado da bateria no produto

Quando a bateria é instalada no produto, os LED incluídos no produto indicam o estado da bateria.

(Fig. 40)

LED	Estado da bateria
O LED 1, o LED 2 e o LED 3 estão acesos.	Totalmente carregada.
O LED 1 e o LED 2 estão acesos.	Carga suficiente
O LED 1 está aceso.	A potência da bateria é baixa.
O LED 1 pisca.	A bateria está descarregada. O indicador de estado da bateria pisca. Carregue a bateria. Consulte <i>Carregar a bateria na página 378</i> .

Ligar a bateria ao produto



ATENÇÃO: Utilize a bateria apenas com produtos do sistema POWER FOR ALL de 18 V.

1. Certifique-se de que a bateria está completamente carregada.
2. Deslize a bateria para o suporte da bateria do produto. A bateria deve deslizar facilmente para o suporte; caso contrário, não está instalada corretamente.

(Fig. 41)

3. A bateria bloqueia na posição pretendida quando se ouve um clique.

Arranque

1. Prima continuamente o botão On/Off até que o LED verde se acenda. (Fig. 42)
2. Prima o bloqueio do interruptor de alimentação e o interruptor de alimentação. O equipamento de corte começa a rodar.

Ajustar o punho fechado e o eixo telescópico

1. Prima o botão de ajuste do punho fechado.

(Fig. 43)

2. Ajuste o punho fechado para um ângulo adequado.
3. Solte o botão de ajuste do punho fechado.
4. Solte a alavanca do eixo. (Fig. 44)
5. Defina o comprimento necessário no eixo.
6. Feche a alavanca e aperte o parafuso.

Nota: As duas posições do punho fechado na ilustração seguinte destinam-se apenas ao transporte e/ou armazenamento.

(Fig. 45)

Função de desativação automática

O produto tem uma função de desativação automática que desliga o produto, se este não for utilizado. O produto é desativado após 3 minutos.

Utilizar o produto

Aparar a relva

1. Mantenha a cabeça do aparador um pouco acima do solo a um determinado ângulo. Não empurre a linha do aparador para a relva. (Fig. 46)
2. Reduza o comprimento da linha do aparador em 8-10 cm/3,15-4 pol.

Limpar relva

1. Mantenha a cabeça do aparador acima do solo.
2. Incline a cabeça do aparador.

- Corte com a extremidade da linha do aparador ao redor de objetos na área de trabalho.



CUIDADO: Corte relva. Outros objetos que sejam atingidos pela linha do aparador aumentam o desgaste da linha do aparador.

Cortar a relva

- Certifique-se de que a linha do aparador está paralela ao solo quando cortar a relva. (Fig. 47)
- Não empurre a cabeça do aparador para o solo. Caso contrário, pode causar danos no produto.
- Desloque o produto de um lado para o outro quando cortar relva. (Fig. 48)

Varrer a relva

O fluxo de ar da linha do aparador a girar pode ser utilizado para remover a relva cortada de uma área.

- Mantenha a cabeça e a linha do aparador paralelas ao solo e acima do mesmo.

- Mova a cabeça do aparador de um lado para o outro e varra a relva.



ATENÇÃO: Limpe a cobertura da cabeça do aparador sempre que instalar uma nova linha do aparador para evitar desequilíbrios e vibrações nos punhos. Efetue também uma verificação das outras peças da cabeça do aparador e limpe-as, se necessário.

Para desligar o produto

- Solte o interruptor de alimentação e o bloqueio do interruptor de alimentação.
- Prima o botão On/Off até o LED verde se apagar.
- Prima o botão de desengate da bateria e retire a bateria do produto. (Fig. 49)

Substituir a linha do aparador

Consulte a última página deste manual do utilizador.

Manutenção

Introdução



ATENÇÃO: Certifique-se de que leu e compreendeu o capítulo sobre segurança antes de realizar tarefas de manutenção no produto.

Esquema de manutenção



ATENÇÃO: Retire a bateria antes de iniciar qualquer tarefa de manutenção.

A seguinte lista de tarefas de manutenção tem de ser realizada no produto. Consulte *Manutenção na página 380* para mais informações.

Manutenção	Diaria-mente	Semanal-mente	Mensal-mente
Limpe as peças externas do produto com um pano seco. Não utilize água.	X		
Verifique se o botão de arranque/paragem funciona corretamente e não está danificado.	X		
Certifique-se de que o interruptor de alimentação e o bloqueio do interruptor de alimentação funcionam corretamente e com segurança.	X		
Certifique-se de que todos os controlos funcionam e não estão danificados.	X		
Mantenha os punhos secos, limpos e sem óleo nem massa lubrificante.	X		
Certifique-se de que o equipamento de corte não está danificado. Substitua o equipamento de corte, caso esteja danificado.	X		
Certifique-se de que a proteção do equipamento de corte não está danificada. Substitua a proteção do equipamento de corte, caso esteja danificada.	X		
Certifique-se de que os parafusos e as porcas estão apertados.	X		
Certifique-se de que os botões de desengate da bateria funcionam e fixam a bateria no produto.	X		

Manutenção	Diariamente	Semanalmente	Mensalmente
Verifique se o carregador da bateria não está danificado e se funciona corretamente.	X		
Certifique-se de que a bateria não está danificada.	X		
Certifique-se de que a bateria está carregada.	X		
Certifique-se de que o carregador da bateria não está danificado.	X		
Examine todos os cabos, acoplamentos e ligações. Certifique-se de que não estão danificados e que estão limpos.		X	
Verifique as ligações entre a bateria e o produto. Verifique a ligação entre a bateria e o carregador da bateria.			X

Examinar a bateria e o carregador da bateria

1. Examine a bateria quanto à existência de danos, por exemplo, fissuras.
2. Examine o carregador da bateria quanto à existência de danos, por exemplo, fissuras.
3. Certifique-se de que o cabo de ligação do carregador da bateria não está danificado nem apresenta fissuras.

Limpar o produto, a bateria e o carregador da bateria

1. Limpe o produto com um pano seco após a utilização.
2. Limpe a bateria e o carregador da bateria com um pano seco. Mantenha as calhas de guia da bateria limpas.
3. Certifique-se de que os terminais da bateria e do carregador da bateria se encontram limpos antes de colocar a bateria no carregador da bateria ou no produto.

Analisar e substituir a cabeça do aparador

1. Verifique se a cabeça do aparador apresenta danos e fissuras.
2. Rode o eixo de saída até que o orifício do acionador fique alinhado com o orifício na caixa de engrenagem.
3. Instale a ferramenta múltipla no orifício para bloquear o eixo.
4. Rode a cabeça do aparador para a esquerda.

(Fig. 50)

5. Substitua a cabeça do aparador.
6. Monte a cabeça do aparador. Consulte *Montar a cabeça do aparador na página 378*.

Resolução de problemas

Interface do utilizador

Problema	Avárias possíveis	Solução possível
LED verde de arranque intermitente.	Tensão da bateria baixa.	Carregue a bateria.
LED vermelho de erro intermitente.	Sobrecarga.	O acessório de corte não consegue mover-se livremente. Solte o acessório de corte.
	Desvio de temperatura.	Deixe o produto arrefecer.
	Prima simultaneamente o interruptor de alimentação e o botão Start.	Solte o interruptor de alimentação e prima o botão Start.

Problema	Avarias possíveis	Solução possível
O LED verde e o LED vermelho piscam alternadamente.	A bateria está descarregada.	Carregue a bateria.
	A bateria está danificada.	Contacte o seu distribuidor com assistência técnica.

Carregador de bateria

LED no carregador de bateria	Causa	Solução
O LED verde está aceso e o LED vermelho pisca.	A bateria não está corretamente instalada no carregador de bateria.	Remova a bateria do carregador e instale-a novamente no carregador de bateria.
	Os conetores da bateria estão sujos.	Limpe os conetores da bateria.
	A temperatura ambiente é demasiado elevada ou demasiado baixa.	Utilize o carregador de bateria em ambientes com temperaturas entre 0 °C e +35 °C.
	A bateria está com defeito.	Substitua a bateria.
O LED verde e o LED vermelho estão apagados.	O carregador de bateria não está corretamente ligado à tomada de alimentação.	Ligue o carregador de bateria a uma tomada de alimentação.
	A tomada de alimentação está avariada.	Ligue o carregador de bateria a uma rede elétrica com tensão e frequência que estejam especificadas na etiqueta de tipo.
	O cabo do carregador de bateria apresenta defeito.	Contacte uma oficina autorizada.
	O carregador de bateria apresenta defeito.	
Outros erros.	Se ocorrerem outros erros, certifique-se de que o produto está desligado, remova a bateria e contacte uma oficina autorizada.	

Transporte, armazenamento e eliminação

Transporte e armazenamento

- As baterias de iões de lítio fornecidas cumprem os requisitos da legislação sobre mercadorias perigosas.
- Cumpra o requisito especial sobre a embalagem e as etiquetas de transporte comercial, incluindo por terceiros e agentes transitários.
- Contacte uma pessoa com formação específica em material perigoso antes de enviar o produto. Cumpra todos os regulamentos nacionais aplicáveis.
- Utilize fita em contactos abertos quando colocar a bateria numa embalagem. Coloque a bateria na embalagem de forma fixa para impedir movimentos.
- Retire sempre a bateria para armazenamento ou transporte.
- Coloque a bateria e o carregador de bateria num espaço seco e sem humidade ou gelo.
- Não armazene a bateria numa área onde possa existir eletricidade estática. Não armazene a bateria numa caixa metálica.
- Armazene a bateria num local onde a temperatura varie entre -20 °C/-4°F e +50 °C/122 °F, e afastado da exposição à luz solar.

- Armazene o carregador de bateria num local onde a temperatura varie entre 5 °C e 45 °C e afastado da exposição à luz solar.
- Armazene o produto num local onde a temperatura se encontre entre -40 °C/-40°F e +60 °C/140 °F.
- Utilize o carregador de bateria apenas quando a temperatura ambiente se encontrar entre os 0 °C e os 35 °C.
- Carregue a bateria entre 30% a 50% antes de a armazenar durante longos períodos de tempo.
- Armazene o carregador de bateria num espaço fechado e seco.
- Mantenha a bateria afastada do carregador de bateria durante o armazenamento. Não permita que crianças e outras pessoas não autorizadas entrem em contacto com o equipamento. Mantenha o equipamento num espaço que possa trancar.
- Antes de armazenar o produto durante longos períodos de tempo, limpe-o e efetue uma manutenção completa do mesmo.
- Utilize a proteção para transporte no produto para evitar ferimentos ou danos no produto durante o transporte e o armazenamento.

- Fixe o produto em segurança durante o transporte.
- Mantenha o produto armazenado na horizontal ou pendure-o no gancho fornecido. Consulte *Instalar o gancho na parede na página 378*.

(Fig. 51)

Eliminação da bateria, do carregador da bateria e do produto

O símbolo abaixo significa que o produto não é um resíduo doméstico. Recicle o equipamento numa estação de reciclagem para equipamentos elétricos e eletrónicos. Isto ajuda a evitar danos no ambiente e em pessoas.

Para obter mais informações, contacte as autoridades locais, o serviço de recolha de resíduos domésticos ou o seu revendedor.

(Fig. 18)

Nota: O símbolo aparece no produto ou na embalagem do produto.

Especificações técnicas

Especificações técnicas

	Aspire T28-P4A
Motor	
Tipo de motor	PMDC
Velocidade do eixo de saída, rpm	6800
Largura de corte, mm	280
Peso	
Peso sem bateria, kg	2,6
Peso com bateria (P4A 18-B45/P4A 18-B70), kg	3,0/3,3
Emissões de ruído ⁵⁵	
Nível de potência sonora, medido dB (A)	85
Nível de potência sonora, garantido L _{WA} dB (A)	88
Níveis sonoros ⁵⁶	
Nível de pressão sonora equivalente junto ao ouvido do utilizador, medido de acordo com a norma EN ISO 50636-2-91, dB (A)	73

⁵⁵ Emissões de ruído para as imediações, medidas sob forma de potência sonora (L_{WA}) em conformidade com a diretiva da CE 2000/14/CE. A diferença entre a potência sonora garantida e medida é que a potência sonora garantida inclui também a dispersão no resultado da medição e as variações entre diferentes produtos do mesmo modelo, consulte a diretiva 2000/14/CE.

⁵⁶ Os dados registados para o nível de pressão sonora equivalente para o produto têm uma dispersão estatística típica (desvio padrão) de 3 dB(A).

	Aspire T28-P4A
Níveis de vibração ⁵⁷	
Níveis de vibração nos punhos, medidos de acordo com a norma EN50636-2-91, m/s ²	2,26/1,61
Equipado com cabeça do aparador (original), dianteira / traseira.	

Bateria	P4A 18-B45	P4A 18-B72
Tipo	lões de lítio	lões de lítio
Capacidade da bateria, Ah	Consulte o dístico de classificação da bateria	Consulte o dístico de classificação da bateria
Tensão nominal, V	18	18
Peso, kg	0,4	0,7

Carregador de bateria	P4A 18-C70
Tensão de corrente elétrica, V	220-240
Frequência, Hz	50-60
Potência, W	70
Tensão de saída, V CC/ Amps, A	14,4–18/3

Acessórios

Acessórios aprovados

Acessórios aprovados	Tipo	Proteção para acessório de corte, artigo n.º
Cabeça do aparador	A15B M5 (cabo com Ø 1,6 mm)	536 47 32-01

⁵⁷ Os dados comunicados relativamente ao nível de vibração têm uma dispersão estatística típica (desvio padrão) de 1,5 m/s².

Declaração de conformidade

Declaração UE de conformidade

A Husqvarna AB, SE-561 82 Huskvarna, Suécia,
tel.: +46-36-146500, declara, sob sua inteira
responsabilidade, que o produto:

Descrição	Aparador de relva a bateria
Marca	Husqvarna
Tipo/Modelo	Aspire T28-P4A
Identificação	Números de série referentes a 2023 e posteriores

está em plena conformidade com as seguintes diretivas
e regulamentos da UE:

Diretiva/regulamento	Descrição
2006/42/CE	"relativa a máquinas"
2014/30/UE	"relativa à compatibilidade eletromagnética"
2000/14/CE	"relativa a emissões de ruído para o ambiente"
2011/65/UE	"relativa à restrição do uso de determinadas substâncias perigosas em equipamento elétrico e eletrônico"

e que as seguintes normas e/ou especificações
técnicas são aplicadas: EN 60335-1:2012/A15:2021,
EN 50636-2-91:2014, EN IEC 63000:2018, EN IEC
55014-1:2021; EN IEC 55014-2:2021.

Entidade competente: 0158 DEKRA Testing and
Certification GmbH, Handwerkstraße 15, 70565
Stuttgart, Germany atribuiu a certificação de
conformidade com a Diretiva 2000/14/CE do Conselho,
procedimento de avaliação de conformidade: Anexo VI.

Para mais informações sobre as emissões de ruído,
consulte *Especificações técnicas na página 383*.

Huskvarna, 2023-12-14



Claes Losdal, gestor de I&D, Husqvarna AB
Responsável pela documentação técnica



Licenças

Copyright © 2012–2020 STMicroelectronics

A garantia não cobre defeitos resultantes de utilização e desgaste normais, negligência, utilização defeituosa, reparação não autorizada ou de o aparelho de sucção ter sido ligado à tensão incorreta.

Todos os direitos reservados.

É permitida a redistribuição e utilização na forma binária ou código-fonte, com ou sem modificações, desde que sejam respeitadas as seguintes condições:

- As redistribuições do código fonte devem reproduzir o aviso de direitos de autor acima, esta lista de condições e a seguinte renúncia de responsabilidade.
- As redistribuições em formato binário devem reproduzir o aviso de direitos de autor acima, esta lista de condições e a seguinte renúncia de responsabilidade na documentação e/ou noutros materiais fornecidos com a distribuição.
- Nem o nome da STMicroelectronics nem os nomes dos respetivos colaboradores podem ser utilizados para apoiar ou promover produtos derivados deste software sem permissão expressa prévia por escrito.

ESTE SOFTWARE É FORNECIDO PELOS DETENTORES DOS DIREITOS DE AUTOR E COLABORADORES "TAL COMO ESTÁ" E SÃO RENUNCIADAS QUAISQUER GARANTIAS EXPRESSAS OU IMPLÍCITAS, INCLUINDO, MAS NÃO SE LIMITANDO A, GARANTIAS IMPLÍCITAS DE COMERCIALIZAÇÃO E ADEQUAÇÃO A UM DETERMINADO FIM. EM CIRCUNSTÂNCIA ALGUMA O DETENTOR DOS DIREITOS DE AUTOR OU COLABORADORES SERÃO RESPONSÁVEIS POR QUAISQUER DANOS DIRETOS, INDIRETOS, ACIDENTAIS, ESPECIAIS, EXEMPLARES OU CONSEQUENTES (INCLUINDO, MAS NÃO SE LIMITANDO A, AQUISIÇÃO DE BENS OU SERVIÇOS DE SUBSTITUIÇÃO; PERDA DE UTILIZAÇÃO, DADOS OU LUCROS, OU INTERRUPÇÃO DO NEGÓCIO) SEJA QUAL FOR A CAUSA E AO ABRIGO DE QUALQUER TEORIA DE RESPONSABILIDADE, QUER SEJA CONTRATUAL, DE RESPONSABILIDADE OBJETIVA OU DELITUAL (INCLUINDO NEGLIGÊNCIA OU OUTRA) RESULTANTE DE QUALQUER FORMA DA UTILIZAÇÃO DESTES SOFTWARE, MESMO QUE TENHAM SIDO AVISADOS DA POSSIBILIDADE DE OCORRÊNCIA DE TAIS DANOS.

Licença Apache 2.0

Copyright © 2009-2019 Arm Limited. Todos os direitos reservados.

Versão 2.0, janeiro de 2004 <http://www.apache.org/licenses/>

TERMOS E CONDIÇÕES DE UTILIZAÇÃO, REPRODUÇÃO E DISTRIBUIÇÃO

1. Definições.

"Licença" refere-se aos termos e condições de utilização, reprodução e distribuição definidos nas Secções 1 a 9 do presente documento. **"Licenciante"** refere-se ao detentor dos direitos de autor ou à entidade autorizada pelo detentor dos direitos de autor que concede a Licença. **"Entidade legal"** refere-se à união da entidade em exercício e todas as outras entidades que controlam, são controladas ou estão sob controlo comum com essa entidade. Para efeitos da presente definição, **"controlo"** refere-se: (i) ao poder, direto ou indireto, de fazer comandar a direção ou gestão dessa entidade, quer por contrato ou por outro meio, ou (ii) à propriedade de cinquenta por cento (50%) ou mais das ações em circulação, ou (iii) à titularidade beneficiária dessa entidade. **"Utilizador"** (ou **"seu"**) refere-se a uma entidade individual ou legal que exerça as permissões concedidas por esta Licença. Forma de **"Fonte"** refere-se à forma preferencial para fazer modificações, incluindo, mas não se limitando a, código fonte de software, fonte de documentação e ficheiros de configuração. Forma de **"Objeto"** refere-se a qualquer forma resultante da transformação mecânica ou tradução de uma forma de fonte, incluindo, mas não se limitando a, código objeto compilado, documentação gerada e conversões para outros tipos de formatos. **"Trabalho"** refere-se ao trabalho de autoria, seja na forma de fonte ou na forma de objeto, disponibilizado ao abrigo da Licença, conforme indicado por um aviso de direitos de autor incluído ou anexado ao trabalho (é fornecido um exemplo no Anexo abaixo). **"Trabalhos derivados"** refere-se a qualquer trabalho, seja na forma de fonte ou na forma de objeto, baseado no (ou derivado do) Trabalho e para o qual as revisões editoriais, anotações, elaborações ou outras modificações representam, como um todo, um trabalho original de autoria. Para efeitos da presente Licença, os Trabalhos derivados não deverão incluir trabalhos que permaneçam separáveis, ou que apenas se associem (ou vinculem por nome) às interfaces do Trabalho e dos Trabalhos derivados. **"Contribuição"** refere-se a qualquer trabalho de autoria, incluindo a versão original do Trabalho e quaisquer modificações ou adições a esse Trabalho ou Trabalhos derivados do mesmo, que seja intencionalmente submetido ao Licenciante para inclusão no Trabalho pelo detentor dos direitos autorais ou por uma Entidade legal ou individual autorizada a submeter em nome do detentor dos direitos de autor. Para efeitos da presente definição, **"submetido"** refere-se a qualquer forma de comunicação eletrónica, verbal ou escrita enviada ao Licenciante ou aos seus representantes, incluindo, entre outros, a comunicação em listas de correio eletrónicas, sistemas de controlo de códigos fonte e sistemas de monitorização de problemas que são geridos pelo Licenciante, ou em nome do mesmo, com o objetivo de discutir e melhorar o Trabalho, mas excluindo a comunicação que é notavelmente marcada ou, de outra forma, designada

por escrito pelo detentor de direitos autorais como **"Não uma contribuição."** **"Colaborador"** refere-se ao Licenciante e a qualquer Entidade individual ou legal em nome da qual tenha sido recebida uma Contribuição por parte do Licenciante e subsequentemente incorporada no Trabalho.

2. Concessão de licença de direitos de autor.

Sujeito aos termos e condições desta Licença, cada Colaborador concede ao Utilizador, por este meio, uma licença de direitos de autor irrevogável, perpétua, mundial, não exclusiva, gratuita e isenta de royalties para reproduzir, preparar Trabalhos derivados de, exibir publicamente, executar publicamente, sublicenciar e distribuir o Trabalho e tais Trabalhos derivados na forma de fonte ou na forma de objeto.

3. Concessão de licença de patente.

Sujeito aos termos e condições desta Licença, cada Colaborador concede ao Utilizador, por este meio, uma licença de patente irrevogável, perpétua, mundial, não exclusiva, gratuita e isenta de royalties (exceto conforme indicado nesta secção) para fazer, utilizar, oferecer para vender, vender, importar e transferir de outra forma o Trabalho, quando essa licença se aplicar apenas às reivindicações de patente licenciáveis por tal Colaborador que sejam necessariamente infringidas pela(s) sua(s) Contribuição(ões) isolada(s) ou por combinação da(s) sua(s) Contribuição(ões) com o Trabalho para o qual essa(s) Contribuição(ões) foi(foram) submetida(s). Se o Utilizador iniciar litígios em matéria de patentes contra qualquer entidade (incluindo uma reclamação cruzada ou uma reclamação contrária numa ação judicial) alegando que o Trabalho ou uma Contribuição incorporada no Trabalho constitui uma infração de patente direta ou contributiva, quaisquer licenças de patente concedidas ao Utilizador ao abrigo desta Licença para esse Trabalho cessarão a partir da data em que tal litígio for apresentado.

4. Redistribuição.

O Utilizador pode reproduzir e distribuir cópias do Trabalho ou dos Trabalhos derivados do mesmo em qualquer suporte, com ou sem modificações, e sob a forma de fonte ou forma de objeto, desde que cumpra as seguintes condições:

- O Utilizador deve fornecer a quaisquer outros destinatários do Trabalho ou Trabalhos derivados uma cópia desta Licença; e
- O Utilizador tem de fazer com que quaisquer ficheiros modificados tenham avisos proeminentes a indicar que alterou os ficheiros; e o Utilizador deve reproduzir, sob a forma de fonte, quaisquer Trabalhos derivados que distribua, todos os avisos de direitos de autor, patente, marca comercial e atribuição da forma de fonte do Trabalho, excluindo os avisos que não pertencem a nenhuma parte dos Trabalhos derivados; e
- Se o Trabalho incluir um ficheiro de texto intitulado **"NOTICE"** (AVISO) como parte da respetiva

distribuição, quaisquer Trabalhos derivados que o Utilizador distribua devem incluir uma cópia legível dos avisos de atribuição contidos nesse ficheiro NOTICE, excluindo os avisos que não dizem respeito a qualquer parte dos Trabalhos derivados, em pelo menos um dos seguintes locais: num ficheiro de texto NOTICE distribuído como parte dos Trabalhos derivados; na forma de fonte ou na documentação, se fornecida juntamente com os Trabalhos derivados; ou, numa apresentação gerada pelos Trabalhos derivados, se e onde esses avisos de terceiros normalmente aparecem. Os conteúdos do ficheiro NOTICE destinam-se apenas a fins informativos e não modificam a Licença. O utilizador pode adicionar os seus próprios avisos de atribuição nos Trabalhos derivados que distribui, juntamente com ou como adenda ao texto NOTICE do Trabalho, desde que esses avisos de atribuição adicionais não possam ser interpretados como modificando a Licença. O Utilizador pode adicionar a sua própria declaração de direitos de autor às suas modificações e pode fornecer termos e condições de licença adicionais ou diferentes para utilização, reprodução ou distribuição das suas modificações, ou para quaisquer Trabalhos derivados como um todo, desde que a sua utilização, reprodução e distribuição do Trabalho esteja em conformidade com as condições indicadas nesta Licença.

5. Submissão de contribuições.

A menos que o utilizador declare explicitamente o contrário, qualquer Contribuição submetida intencionalmente para inclusão no Trabalho por parte do utilizador ao Licenciante ficará sujeita aos termos e condições desta Licença, sem quaisquer termos ou condições adicionais. Não obstante o acima exposto, nada no presente documento substituirá ou modificará os termos de qualquer acordo de licença separado que o Utilizador possa ter celebrado com o Licenciante relativamente a tais Contribuições.

6. Marcas comerciais.

Esta Licença não concede permissão para utilizar os nomes comerciais, marcas comerciais, marcas de serviço ou nomes de produtos do Licenciante, exceto conforme exigido para uso razoável e habitual na descrição da origem do Trabalho e na reprodução do conteúdo do ficheiro NOTICE.

7. Renúncia de garantia.

Salvo se exigido pela lei aplicável ou acordado por escrito, o Licenciante fornece o Trabalho (e cada Colaborador fornece as suas Contribuições) num formato **"TAL COMO ESTÁ"**, SEM GARANTIAS OU CONDIÇÕES DE QUALQUER TIPO, expressas ou implícitas, incluindo, sem limitação, quaisquer garantias ou condições de TÍTULO, NÃO VIOLAÇÃO, COMERCIALIZAÇÃO ou ADEQUAÇÃO A UM DETERMINADO FIM. O Utilizador é o único responsável por determinar a adequação de utilizar

ou redistribuir o Trabalho e assumir quaisquer riscos associados ao seu exercicio de permissões ao abrigo desta Licença. 8. Limitação de responsabilidade. Em circunstância alguma e sob nenhuma teoria legal, quer seja por delito (incluindo negligência), contrato ou outra, a menos que exigido pela lei aplicável (tal como atos deliberados e grosseiramente negligentes) ou acordado por escrito, qualquer Colaborador será responsável perante o Utilizador por danos, incluindo quaisquer danos diretos, indiretos, especiais, incidentais ou consequenciais de qualquer natureza resultantes da presente Licença ou da utilização ou incapacidade de utilização do Trabalho (incluindo, entre outros, danos por perda de reputação, interrupção do trabalho, falha ou avaria do computador ou quaisquer outros danos ou perdas comerciais), mesmo que tal Colaborador tenha sido informado da possibilidade de tais danos.

9. Aceitação da garantia ou responsabilidade adicional.

Ao redistribuir o Trabalho ou Trabalhos derivados, o Utilizador pode optar por oferecer, e cobrar uma taxa por, aceitação de suporte, garantia, indemnização ou outras obrigações e/ou direitos de responsabilidade consistentes com esta Licença. No entanto, ao aceitar tais obrigações, o Utilizador apenas poderá agir em seu próprio nome e sob a sua exclusiva responsabilidade e não em nome de qualquer outro Colaborador, e apenas se concordar em indemnizar, defender e isentar cada Colaborador de qualquer responsabilidade decorrente de, ou reclamações invocadas contra, tal Colaborador por motivo da aceitação de tal garantia ou responsabilidade adicional por parte do Utilizador. FIM DOS TERMOS E CONDIÇÕES

CUPRINS

Introducere.....	388	Transportul, depozitarea și eliminarea.....	402
Siguranță.....	390	Date tehnice.....	403
Asamblarea.....	397	Accesorii.....	404
Funcționarea.....	398	Declarație de conformitate.....	405
Întreținerea.....	400	Licențe.....	406
Depanarea.....	401	Anexă.....	507

Introducere

Descrierea produsului

Husqvarna Aspire T28-P4A este un trimmer pentru iarba cu baterie, cu un motor electric.

Se depun eforturi constant pentru a vă spori siguranța și eficiența în timpul funcționării. Adresați-vă reprezentantului de service pentru informații suplimentare.

Domeniul de utilizare

Produsul este utilizat cu un cap de tuns pentru a tăia iarba. Nu utilizați produsul pentru alte activități decât tunsul gazonului și curățarea ierbii.

Prezentarea generală a produsului

(Fig. 1)

1. Cap de tuns
2. Apărătoarea accesoriului de tăiere
3. Apărătoare de plante
4. Reglarea arborelui (telescop)
5. Arbore
6. Mâner semicircular
7. Capac întreținere
8. Buton de reglare a mânerului semicircular
9. Interfață utilizator
10. Indicator de avertisment

Nota: Reglementările la nivel național pot stabili limite ale funcționării produsului.

Ghid rapid

Scanați codul QR pentru sfaturi de utilizare a produsului. (Fig. 20)

11. Indicator al stării de încărcare
12. Buton On/Off (Pornire/Oprire)
13. Întrerupător
14. Dispozitiv de blocare întrerupător
15. Baterie (P4A 18-B45)
16. Buton de eliberare a bateriei
17. Baterie (P4A 18-B72)
18. Încărcător de baterie (P4A 18-C70)
19. Conector
20. Indicator de pornire și avertizare
21. Unealtă combinată

22. Cârlig de perete
 23. Șuruburi și fișe de perete pentru cârlig de perete
 24. Manualul operatorului

Simbolurile de pe produs

- (Fig. 2) AVERTISMENT: Acest produs poate fi periculos și poate cauza vătămări corporale grave sau decesul operatorului sau al altor persoane. Acționați cu grijă și utilizați corect produsul.
- (Fig. 3) Citiți cu atenție manualul operatorului și asigurați-vă că înțelegeți instrucțiunile înainte de utilizare.
- (Fig. 4) Utilizați ochelari de protecție.
- (Fig. 5) Nu expuneți la ploaie.
- (Fig. 6) Etichetă privind emisiile de zgomot în mediu, conform directivelor și reglementărilor din UE și Regatul Unit și legislației din New South Wales, Regulamentul privind măsurile de protecție a mediului (controlul zgomotului) din 2017. Nivelul de putere sonoră garantat al produsului este specificat în *Date tehnice la pagina 403*.
- (Fig. 7) Deconectați bateria înainte de a efectua lucrări de întreținere.
- (Fig. 8) Nici produsul și nici ambalajul său nu sunt deșeuri menajere. Reciclați-l la un centru de reciclare pentru echipamente electrice și electronice.
- (Fig. 9) Feriți-vă de obiectele aruncate.
- (Fig. 10) Nu folosiți lame din metal.
- (Fig. 11) Produsul este în conformitate cu directivele EU aplicabile.
- (Fig. 12) Produsul este în conformitate cu reglementările aplicabile din Regatul Unit.
- (Fig. 13) Curent continuu.
- (Fig. 17) Distanța dintre mașină și persoanele aflate în preajmă trebuie să fie de cel puțin 15 m (50 ft).

aaaassxxxx

Plăcuța de identificare sau imprimarea laser indică numărul de serie. **aaaa** este anul fabricației și **ss** este săptămâna fabricației.

Simbolurile de pe produs

- (Fig. 2) AVERTISMENT: Acest produs poate fi periculos și poate cauza vătămări corporale grave sau decesul operatorului sau al altor persoane. Acționați cu grijă și utilizați corect produsul.
- (Fig. 3) Citiți cu atenție manualul operatorului și asigurați-vă că înțelegeți instrucțiunile înainte de utilizare.
- (Fig. 4) Utilizați ochelari de protecție.
- (Fig. 5) Nu expuneți la ploaie.
- (Fig. 6) Etichetă cu emisiile de zgomot în mediu înconjurător în conformitate cu directivele și cu reglementările din UE (incluzând și legislația din New South Wales) și din Regatul Unit. Datele privind emisiile de zgomot pot fi găsite pe eticheta utilajului și la capitolul Date tehnice.
- (Fig. 7) Deconectați bateria înainte de a efectua lucrări de întreținere.
- (Fig. 8) Nici produsul și nici ambalajul său nu pot fi tratate ca deșeuri menajere. Reciclați-l la un centru de reciclare pentru echipamente electrice și electronice.
- (Fig. 9) Feriți-vă de obiectele aruncate.
- (Fig. 10) Nu folosiți lame din metal.
- (Fig. 11) Produsul este în conformitate cu directivele EU aplicabile.
- (Fig. 13) Curent continuu.
- (Fig. 17) Distanța dintre mașină și persoanele aflate în preajmă trebuie să fie de cel puțin 15 m (50 ft).
- aaaassxxxx** Plăcuța de identificare sau imprimarea laser indică numărul de serie. **aaaa** este anul fabricației și **ss** este săptămâna fabricației.

Simbolurile de pe baterie și/sau de pe încărcătorul acesteia

(Fig. 18)

Reciclați acest produs la un centru de reciclare pentru echipamente electrice și electronice. (Este valabilă numai pentru Europa)

(Fig. 19)

Utilizați bateria numai în produse de la partenerii Sistemului POWER FOR ALL.

(Fig. 14)

Transformator autoprotejat.

(Fig. 15)

Utilizați și păstrați încărcătorul de baterie numai în interior.

(Fig. 16) Izolație dublă.

Deteriorarea produsului

Nu suntem responsabili pentru deteriorarea produsului dacă:

- produsul este reparat necorespunzător.
- produsul este reparat cu piese care nu provin de la producător sau care nu sunt aprobate de acesta.
- produsul are un accesoriu care nu provine de la producător sau care nu este aprobat de acesta.
- produsul nu este reparat la un centru de service omologat sau de o autoritate omologată.

Producător

Husqvarna AB

SE-561 82, Huskvarna, Sweden

Siguranță

Definiții privind siguranța

Avertismentele, atenționările și notele sunt utilizate pentru a desemna părți foarte importante din manual.



AVERTISMENT: Se utilizează dacă există risc de vătămare sau de deces pentru operator sau pentru trecători, în cazul în care instrucțiunile din manual nu sunt respectate.



ATENȚIE: Se utilizează dacă există un risc de deteriorare a produsului, a altor materiale sau a zonelor învecinate, dacă instrucțiunile din manual nu sunt respectate.

Nota: Se utilizează pentru a furniza mai multe informații care sunt necesare într-o situație dată.

Avertismente generale privind siguranța uneltelor electrice



AVERTISMENT: Citiți toate avertismentele privind siguranța și toate instrucțiunile. Nerespectarea avertismentelor și instrucțiunilor poate avea ca rezultat șocuri electrice, incendii și/sau leziuni grave.

Nota: Păstrați toate avertismentele și instrucțiunile pentru consultări ulterioare. Termenul „unealtă electrică” folosit în avertismente se referă la unealta electrică (cu

cablu) acționată de la rețeaua de alimentare sau la unealta electrică (fără cablu) acționată de baterii.

Verificare înainte de pornire

- Scoateți întotdeauna bateria, pentru a preveni pornirea accidentală a produsului. Îndepărtați întotdeauna bateria înainte de a efectua orice operații de întreținere asupra produsului.
- Înainte de a utiliza produsul după un impact, verificați să nu prezinte semne de uzură sau de deteriorare și reparați-le dacă este necesar.
- Inspectați zona de lucru. Îndepărtați toate obiectele libere, precum pietre, sticlă spartă, cuie, fire de oțel, sfoară etc. care pot fi proiectate sau se pot înnășura în jurul frezei sau apărătorii frezei.
- Verificați ca motorul să nu prezinte murdărie sau fisuri. Eliminați iarba și frunzele din motor, cu ajutorul unei perii. Atunci când este necesar, trebuie purtate mănuși.
- Verificați fixarea completă a capului de tuns pe trimmer.
- Verificați ca produsul să fie în perfectă stare de funcționare. Verificați ca toate șuruburile și piulițele să fie bine strânse.
- Verificați să nu fie deteriorate sau crăpate capul de tuns și apărătoarea pentru capul de tuns. Înlocuiți capul de tuns sau apărătoarea pentru capul de tuns dacă acestea au fost expuse la impact sau dacă sunt crăpate. Folosiți întotdeauna apărătoarea recomandată pentru accesoriul de tăiere pe care îl folosiți. Consultați capitolul Date tehnice.
- Operatorul produsului trebuie să se asigure că nicio persoană și niciun animal nu se apropie la mai mult de 15 metri în timpul lucrărilor. Când mai mulți

operatori lucrează în aceeași locație, distanța de siguranță trebuie să fie de cel puțin 15 metri.

- Efectuați o inspecție generală a produsului înainte de utilizare. Consultați programul de întreținere.
- Este posibil ca utilizarea să fie reglementată de norme naționale sau locale. Respectați reglementările aplicabile.

Siguranța zonei de lucru

- **Păstrați zona de lucru curată și bine iluminată.** Zonele dezordonate sau întunecoase provoacă accidente.
- **Nu acționați uneltele electrice în atmosfere explozive, cum ar fi prezența lichidelor, a gazelor sau a prafului inflamabil.** Uneltele electrice produc scântei care pot aprinde praful sau aburii.
- **Țineți la distanță copiii și alte persoane în timpul acționării unei unelte electrice.** Distragerea atenției poate cauza pierderea controlului.

Siguranța privind echipamentele electrice

- **Ștecherul uneltei electrice trebuie să corespundă prizei. Nu modificați niciodată ștecherul. Nu utilizați nicio fișă de conectare a adaptorului cu unelte electrice cu împământare (legate la masă).** Ștecherurile nemodificate și prizele potrivite reduc riscul de șoc electric.
- **Evitați contactul cu corpul a suprafețelor de împământare sau legate la masă, cum ar fi țevi, radiatoare, plite și răcitoare.** Există un pericol sporit de electrocutare dacă împământarea sau legarea la masă se face prin corpul dvs.
- **Nu expuneți uneltele electrice la ploaie sau la condiții de umezeală.** Apa care pătrunde într-o unealtă electrică va spori pericolul de electrocutare.
- **Nu folosiți cablul în mod abuziv. Nu utilizați niciodată cablul la transportarea, tragerea sau deconectarea uneltei electrice. Țineți cablul departe de căldură, ulei, muchii ascuțite sau piese în mișcare.** Cablurile avariate sau încălțite sporesc pericolul de electrocutare.
- **Când acționați o unealtă electrică în exterior, utilizați un cordon de racord potrivit pentru utilizarea în exterior.** Folosirea unui cablu adecvat pentru utilizarea la exterior reduce riscul de șoc electric.
- **Dacă funcționarea unei unelte electrice într-o locație cu umiditate mare nu poate fi evitată, utilizați o sursă cu dispozitiv de protecție împotriva curentului rezidual (RCD).** Folosirea unui întrerupător de curent rezidual reduce pericolul de electrocutare.

Siguranța personală

- **Fiți atent la ceea ce faceți și acționați o unealtă electrică în mod rezonabil. Nu utilizați o unealtă electrică când sunteți obosit sau sub influența drogurilor, a alcoolului sau a medicamentelor.** Un moment de neatenție în timpul acționării uneltelor electrice poate duce la răni grave.

- **Utilizați echipamentul personal de protecție. Purtați întotdeauna ochelari de protecție.** Echipamentele de protecție, cum ar fi masca împotriva prafului, încălțăminte de protecție antiderapantă, casca sau protecția pentru auz utilizate în condiții corespunzătoare, vor reduce riscul de vătămări corporale.
- **Evitați pomirea accidentală. Verificați dacă comutatorul este în poziția OPRIT înainte de conectarea la o sursă de alimentare și/sau la baterii, înainte de ridicarea sau transportarea uneltei.** Transportarea uneltelor electrice având degetul poziționat pe comutator sau activarea uneltelor electrice care au comutatorul pornit pot provoca accidente.
- **Îndepărtați toate cheile de reglare sau cheile fixe înaintea pornirii uneltei electrice.** O cheie fixă sau o cheie rămasă atașată la o piesă rotativă a uneltei electrice poate duce la răni.
- **Nu vă întindeți prea mult. Păstrați mereu o postură și un echilibru corespunzătoare.** Aceasta lucru permite un control mai bun al uneltei electrice în situații neașteptate.
- **Îmbrăcați-vă corespunzător. Nu purtați haine largi sau bijuterii. Țineți părul și îmbrăcămintea la distanță de piesele în mișcare.** Hainele largi, bijuteriile sau părul lung pot fi prinse în piesele în mișcare.
- **Dacă dispozitivele sunt dotate cu racorduri la instalații de extragere și colectare a prafului, asigurați-vă că acestea sunt conectate și utilizate corespunzător.** Colectarea prafului poate reduce pericolele provocate de acesta.
- **Nu vă încredeți în familiaritatea dobândită din utilizarea frecventă a uneltelor; prin urmare, nu ignorați principiile de siguranță ale uneltelor.** O acțiune neglijentă poate duce la vătămări corporale grave într-o fracțiune de secundă.
- Emisiunea de vibrații din timpul folosirii efective a uneltei electrice poate fi dăunătoare față de valoarea declarată, în funcție de modul în care este utilizată unealta. Operatorii trebuie să identifice măsurile de siguranță necesare pentru a se proteja, pe baza estimării expunerii în condițiile de folosire efectivă (luând în calcul toate părțile ciclului de funcționare, ca de exemplu momentele în care unealta este oprită și cele în care funcționează în gol, fără ca întrerupătorul să fie acționat).

Utilizarea și întreținerea uneltei electrice

- **Nu forțați unealta electrică. Utilizați unealta electrică potrivită pentru aplicația dvs.** Unealta electrică potrivită va efectua lucrarea mai rapid și în condiții de siguranță mai bune la viteza de lucru pentru care a fost proiectată.
- **Nu utilizați unealta electrică în cazul în care nu poate fi pornită sau oprită de la comutator.** Orice unealtă electrică imposibil de controlat cu ajutorul comutatorului este periculoasă și trebuie reparată.
- **Deconectați ștecherul de la sursa de alimentare și/sau scoateți acumulatorul uneltei electrice, dacă**

este detașabil, înainte de a face reglaje, de a schimba accesoriile sau de a depozita unelte electrice. Astfel de măsuri preventive de siguranță reduc riscul pornirii accidentale a unelei electrice.

- **Nu lăsați uneltele electrice nefolosite la îndemâna copiilor și nu permiteți persoanelor care nu sunt familiarizate cu uneltele electrice să o acționeze.** Uneltele electrice sunt periculoase în mâinile utilizatorilor neinstruiți.
- **Mențineți uneltele electrice și accesoriile acestora. Verificați centrarea sau legarea incorectă a pieselor în mișcare, ruperea pieselor și orice alte stări care pot afecta funcționarea unelei electrice. Dacă este avariată, duceți uneltele electrice la reparat înainte de a o utiliza.** Multe accidente sunt provocate de uneltele electrice prost întreținute.
- **Păstrați uneltele de tăiere ascuțite și curate.** Este mai puțin probabil ca uneltele de tăiere cu tășuri ascuțite întreținute corespunzător să se blocheze și sunt mai ușor de controlat.
- **Utilizați uneltele electrice, accesoriile și piesele din uneltele, etc. în conformitate cu aceste instrucțiuni, luând în considerare și condițiile de lucru și activitatea care urmează să fie efectuată.** Utilizarea uneltelor electrice pentru operații diferite de cele pentru care sunt destinate poate duce la apariția de situații periculoase.
- **Mențineți mânerul și suprafețele de prindere uscate, curate, fără ulei și unsoare.** Mânerul și suprafețele de prindere alunecoase nu permit manipularea și controlul în siguranță al unelei în situații neprevăzute.

Utilizarea și întreținerea unelei cu baterie

- **Reîncărcați numai cu încărcătorul specificat de producător.** Un încărcător adecvat pentru un tip de baterie poate constitui pericol de incendiu atunci când este utilizat cu un alt tip de baterie.
- **Utilizați produsele numai cu bateriile special indicate.** Utilizarea unui alt tip de acumulatori poate constitui pericol de vătămări corporale și de incendiu.
- **Când acumulatorul nu este utilizat, păstrați-l departe de alte obiecte metalice, precum agrafe de birou, monede, chei, cuie, șuruburi sau alte obiecte mici de metal, care pot crea o conexiune între borne.** Scurtcircuitarea bornelor bateriei poate cauza arsuri sau incendii.
- **În condiții de utilizare neadecvată, din baterie pot ieși stropi de lichid; evitați contactul. Totuși, dacă intrați accidental în contact cu lichidul respectiv, spălați cu apă. Dacă lichidul intră în contact cu ochii, consultați un medic.** Lichidul care se scurge din baterie poate cauza iritații sau arsuri.
- **Nu utilizați acumulatori sau unelte deteriorate sau modificate.** Bateriile deteriorate sau modificate pot prezenta un comportament imprevizibil, ce pot duce la incendii, explozii sau pericol de vătămări corporale.
- **Nu expuneți acumulatorii sau uneltele la flăcări sau temperaturi excesive.** Expunerea la flăcări sau

la temperaturi de peste 130°C/265°F poate cauza explozii.

- **Urmați toate instrucțiunile de încărcare și nu încărcați acumulatorul sau uneltele în afara intervalului de temperatură specificat în instrucțiuni.** Încărcarea incorectă sau la temperaturi în afara intervalului specificat poate duce la deteriorarea bateriei și la creșterea pericolului de incendiu.

Service

- **Cereți ca uneltele dvs. electrice să fie reparate numai de un tehnician de reparații calificat, care să folosească numai piese de schimb identice.** Acest lucru va asigura păstrarea siguranței unelei electrice.
- **Nu reparați niciodată acumulatorii deteriorați.** Repararea acumulatorilor trebuie efectuată numai de către producător sau de către furnizorii de servicii autorizați.

Acționați întotdeauna cu discernământ.

Nu este posibil să prezentăm toate situațiile imaginabile cu care vă puteți confrunta. Lucrați întotdeauna cu atenție și folosiți-vă gândirea. Evitați toate situațiile pe care le considerați că vă depășesc capacitatea de reacție. Dacă totuși vă simțiți nesiguri în legătură cu procedurile de operare după citirea acestor instrucțiuni, trebuie să consultați un specialist înainte de a continua.



AVERTISMENT: Nu permiteți copiilor să folosească utilajul sau să stea în apropierea acestuia. Deoarece utilajul poate fi pornit cu ușurință, copiii îl pot porni dacă nu sunt supravegheați atent. Există riscul unor vătămări corporale grave. Așadar, deconectați bateria dacă utilajul nu se află sub supraveghere atentă.

Instrucțiuni generale de siguranță



AVERTISMENT: Înainte de a utiliza produsul, citiți instrucțiunile de avertizare de mai jos.

- Scoateți bateria, pentru a preveni pornirea accidentală a produsului.
- Acest produs este o uneltele periculoasă dacă nu sunteți atent sau dacă utilizați produsul incorect. Acest produs poate cauza vătămări corporale grave sau decesul operatorului sau al altor persoane.
- Nu utilizați produsul dacă specificația sa inițială se modifică. Nu modificați o componentă a produsului fără aprobarea producătorului. Utilizați numai piese omologate de producător. Vătămările corporale sau decesul constituie un posibil rezultat al întreținerii incorecte.
- Verificați produsul înainte de utilizare. Consultați *Verificare înainte de pornire la pagina 390 și Înainte de a utiliza produsul la pagina 398.* Nu folosiți

produse deteriorate sau care nu funcționează corect. Efectuați verificările de siguranță, instrucțiunile de întreținere și de service descrise în acest manual.

- Copiii trebuie supravegheați, pentru a vă asigura că nu se joacă cu produsul. Nu permiteți copiilor sau altor persoane neinstruite cu privire la operarea produsului și/sau a bateriei să le utilizeze sau să le depaneze. Este posibil ca reglementările locale să limiteze vârsta operatorului.
- Păstrați produsul într-o zonă restricționată, pentru a împiedica accesul copiilor sau al persoanelor neautorizate.
- Nu depozitați produsul la îndemâna copiilor.
- Nu modificați sub nicio formă designul produsului fără permisiunea producătorului. Utilizați întotdeauna accesoriile originale. Modificările și/sau accesoriile neautorizate pot avea drept rezultat vătămări corporale grave sau decesul operatorului și al altor persoane.

Nota: Utilizarea poate fi reglementată de legislația națională sau locală. Respectați reglementările aplicabile.

Instrucțiuni de siguranță pentru utilizare



AVERTISMENT: Înainte de a utiliza produsul, citiți instrucțiunile de avertizare de mai jos.

- **Nu utilizați mașina în condiții de vreme nefavorabilă, mai ales când există risc de descărcări electrice.** Astfel reduceți riscul să vă lovească trăsnetul.
- **Verificați temeinic zona în care urmează a fi utilizată mașina, pentru a vedea dacă nu există animale sălbatice.** Animalele sălbatice ar putea fi rănite de mașină în timp ce este în funcțiune.
- **Verificați temeinic zona în care urmează a fi utilizată mașina și înlăturați toate pietrele, bețele, cablurile, oasele și alte obiecte străine.** Obiectele proiectate pot provoca vătămări corporale.
- **Înainte de a folosi mașina, întotdeauna verificați vizual dacă cuțitul și ansamblul de tăiere nu sunt deteriorate.** Componentele deteriorate sporesc riscul de vătămare corporală.
- **Păstrați apărătorile montate. Apărătorile trebuie să fie în stare adecvată pentru lucru și montate corect.** O apărătoare slabă, deteriorată sau care nu funcționează corect poate duce la vătămări corporale.
- **Mențineți toate admisile de aer de răcire neobstrucționate de resturi.** Blocarea admisilor de aer și resturile pot duce la supraîncălzire sau incendiu.
- **Purtați ochelari de protecție și echipament de protecție pentru urechi.** Echipamentul de protecție adecvat va reduce eventualele vătămări corporale.
- **În timp ce folosiți mașina, purtați mereu încălțăminte antiderapantă de protecție. Nu folosiți aparatul în**

picioarele goale sau purtând sandale. Astfel reduceți riscul de rănire a picioarelor în eventualitatea contactului cu cuțitul aflat în mișcare.

- **Purtați întotdeauna haine precum pantaloni lungi, care să vă acopere picioarele, când folosiți mașina.** Contactul cu firul sau cu cuțitul aflat în mișcare poate provoca vătămări corporale.
- **Țineți trecătorii la distanță în timp ce folosiți mașina.** Resturile proiectate pot duce la vătămări corporale grave.
- **Nu folosiți mașina deasupra înălțimii taliei.** În acest mod se previne contactul neintenționat cu cuțitul și se controlează mai bine mașina în situații neașteptate.
- **Aveți grijă când folosiți mașina pe iarbă udă. Mergeți, nu alergați niciodată.** Astfel reduceți riscul de alunecare și cădere, care pot duce la vătămări corporale.
- **Nu folosiți mașina pe pante prea înclinate.** Astfel scade riscul de pierdere a controlului, de alunecare și cădere, care pot duce la vătămări corporale.
- **Când lucrați pe pante, asigurați-vă întotdeauna că aveți o poziție stabilă, lucrați mereu orizontal pe suprafața pantei, niciodată în sus și în jos și aveți foarte mare grijă când schimbați direcția.** Astfel scade riscul de pierdere a controlului, de alunecare și cădere, care pot duce la vătămări corporale.
- **Țineți toate cablurile și firele electrice departe de zona de tăiere.** În arbuști sau garduri vii ar putea fi ascunse cabluri sau fire electrice, care pot fi tăiate sau deteriorate accidental de fir sau cuțit.
- **Aveți grijă ca nicio parte a corpului dvs. să nu se afle aproape de cuțitul sau firul trimmerului. Nu curățați resturile de pe mașină până când aceasta nu a fost deconectată de la sursa de alimentare.** Cuțitul sau firul în mișcare pot provoca vătămări corporale grave.
- **Transportați mașina oprită și depărtată de corpul dvs.** Manevrarea adecvată a mașinii va reduce probabilitatea contactului accidental cu un cuțit sau fir aflat în mișcare.
- **Folosiți numai capete de tăiere și cuțite sau fire de trimmer de schimb specificate de producător. Nu înlocuiți cuțitele sau firele trimmerului cu fire sau lame de metal.** Componentele de schimb neadecvate pot duce la pierderea controlului, deteriorare și rănire.

Echipament de protecție personală



AVERTISMENT: Înainte de a utiliza produsul, citiți instrucțiunile de avertizare de mai jos.

- Utilizați întotdeauna echipamente de protecție personală atunci când folosiți produsul. Echipamentele de protecție personală nu pot elimina complet riscul de rănire, însă pot reduce gravitatea rănilor în cazul unui accident. Distribuitorul vă poate ajuta să alegeți echipamentul corect.

- Utilizați un sistem omologat de protecție a auzului.

(Fig. 21)

- Utilizați ochelari de protecție omologați. Dacă utilizați un vizor de protecție, trebuie să purtați și ochelari de protecție. Ochelarii de protecție trebuie să fie conformi cu standardul ANSI Z87.1 în S.U.A. sau EN 166 în țările din UE.

(Fig. 22)

- Purtați mănuși atunci când este necesar, de exemplu atunci când conectați, inspecți și curățați echipamentul de tăiere.

(Fig. 23)

- Utilizați cizme de protecție cu bombeuri din oțel și tălpi antiderapante.

(Fig. 24)

- Purtați haine din țesături rezistente. Purtați întotdeauna pantaloni lungi, din material gros, și îmbrăcăminte cu mâneci lungi. Nu purtați haine largi, care se pot prinde în smicele și ramuri. Nu folosiți bijuterii, pantaloni scurți sau sandale. Nu utilizați produsul cu picioarele goale. Strângeți-vă părul în siguranță, deasupra nivelului umărului.
- Păstrați echipamentul de prim ajutor în apropiere.

(Fig. 25)

Dispozitivele de siguranță de pe produs



AVERTISMENT: Înainte de a utiliza produsul, citiți instrucțiunile de avertizare de mai jos.

În această secțiune sunt descrise caracteristicile de siguranță al produsului, scopul său și modul în care trebuie efectuate verificările și întreținerea pentru a asigura funcționarea corectă. A se vedea instrucțiunile din capitolul *Introducere la pagina 388* pentru a afla unde sunt amplasate aceste piese pe produsul dvs.

Durata de viață a produsului se poate reduce, iar riscul de accidente se poate mări dacă întreținerea produsului nu este efectuată corect, iar reglarea și/sau reparațiile nu sunt executate în mod profesional. Dacă aveți nevoie de informații suplimentare, contactați cel mai apropiat furnizor de service.



AVERTISMENT: Nu utilizați niciodată un produs cu componente de siguranță deteriorate. Echipamentul de siguranță al produsului trebuie inspectat și întreținut conform indicațiilor din acest capitol. Dacă produsul nu trece oricare dintre următoarele verificări, contactați agentul de service pentru reparații.



ATENȚIE: Toate activitățile de service și de reparații de pe aparat necesită instruire specială. Acest lucru este adevărat

în special în legătură cu echipamentul de siguranță al aparatului. În cazul în care aparatul dvs. nu trece de oricare dintre verificările descrise mai jos, trebuie să vă contactați agentul de service. Atunci când achiziționați oricare dintre produsele noastre, garantăm disponibilitatea reparațiilor și service-ului profesionist. Dacă vânzătorul cu amănuntul care vă vinde aparatul nu este dealer de service, solicitați-i adresa celui mai apropiat agent de service.

Pentru a verifica interfața cu utilizatorul

LED-urile verzi (A) indică starea bateriei atunci când produsul este pornit, dar nu este în funcțiune.

1. Mențineți apăsat butonul on/off (pornit/oprit) (B). (Fig. 26)
 - a) Produsul este pornit când LED-urile verzi (A) sunt aprinse.
 - b) Produsul este oprit când LED-urile verzi (A) sunt stinse.
2. Consultați *Depanarea la pagina 401* dacă indicatorul de avertisment (C) se aprinde sau se aprinde intermitent.

Verificarea opritorului întrerupătorului

Opritorul întrerupătorului previne pornirea accidentală. Când apăsați opritorul întrerupătorului (A), acesta eliberează întrerupătorul (B). Dacă eliberați mânerul, întrerupătorul și opritorul acestuia se deplasează înapoi în pozițiile lor inițiale.

(Fig. 27)

1. Asigurați-vă că întrerupătorul este blocat atunci când opritorul întrerupătorului este în poziția sa inițială.

(Fig. 28)

2. Apăsați întrerupătorul și asigurați-vă că revine la poziția inițială atunci când îl eliberați.

(Fig. 29)

3. Asigurați-vă că întrerupătorul și dispozitivul său de blocare se mișcă liber și că arcul de rapel funcționează corect.

(Fig. 30)

4. Porniți produsul. Consultați *Pornirea produsului la pagina 399*.
5. Eliberați întrerupătorul și asigurați-vă că accesoriul de tăiere se oprește complet.

Verificarea apărătorii accesoriului de tăiere



AVERTISMENT: Nu utilizați un accesoriu de tăiere fără o apărătoare aprobată și corect atașată a acestuia. Utilizați întotdeauna apărătoarea recomandată pentru accesoriul de tăiere pe care îl utilizați, consultați *Date tehnice la pagina 403*. Dacă este atașată o apărătoare incorectă sau defectă pentru accesoriul de tăiere, aceasta poate provoca vătămări corporale grave.

Apărătoarea accesoriului de tăiere oprește obiectele proiectate în direcția operatorului. Apărătoarea accesoriului de tăiere previne și vătămările corporale care pot apărea dacă atingeți accesoriul de tăiere.

1. Opriți motorul.
2. Verificați vizual eventualele deteriorări, de exemplu, crăpături.
3. Înlocuiți apărătoarea accesoriului de tăiere, dacă este deteriorată.

Accesoriu de tăiere

Selectați echipamentul de tăiere corect și efectuați întreținerea acestuia pentru a:

- Obține performanța maximă de tăiere.
- Prolunghi durata de viață a echipamentului de tăiere.



AVERTISMENT: Utilizați accesoriile de tăiere numai împreună cu apărătoarele pe care le recomandăm! Consultați *Date tehnice la pagina 403*. Consultați instrucțiunile pentru accesoriul de tăiere pentru a afla modul corect de încărcare a firului trimmerului și diametrul corect al firului trimmerului.



AVERTISMENT: Un accesoriu de tăiere defect poate crește pericolul de accidente.

Cap de tuns



AVERTISMENT: Asigurați-vă întotdeauna că firul trimmerului este înfășurat strâns și uniform în jurul tamburului pentru a evita vibrațiile dăunătoare.

(Fig. 31)

- Utilizați numai capetele de tuns și firele de trimmer recomandate.
- Utilizați numai accesorii de tăiere recomandate.
- Dispozitivele mai mici necesită capete de tuns mici și invers.

- Lungimea firului trimmerului este importantă. Un fir mai lung al trimmerului necesită o putere mai mare a motorului decât un fir mai scurt al trimmerului cu același diametru.
- Asigurați-vă că freza de pe apărătoarea pentru capul de tuns este intactă. Aceasta taie firul trimmerului la lungimea corectă.
- Înmuiați firul trimmerului în apă timp de câteva zile înainte de utilizare, pentru a-i prelunghi durata de viață.

Siguranța bateriei



AVERTISMENT: Citiți toate instrucțiunile generale și de siguranță. Nerespectarea instrucțiunilor generale și de siguranță poate cauza șoc electric, incendii și/sau răniri grave. **Păstrați toate informațiile de siguranță și instrucțiunile generale pentru referințe ulterioare.**

- **Aceste instrucțiuni de siguranță se aplică numai la bateriile reîncărcabile Li-ion de 18 V pentru sistemul POWER FOR ALL.**
- **Utilizați bateria reîncărcabilă numai în produse de la partenerii Sistemului POWER FOR ALL.** Bateriile reîncărcabile de 18 V etichetate cu POWER FOR ALL sunt pe deplin compatibile cu următoarele produse:
 - Toate produsele sistemului pe baterii de 18 V POWER FOR ALL.
 - Toate produsele de 18 V de la partenerii Sistemului POWER FOR ALL.
- **Respectați recomandările privind bateriile din manualul de utilizare al produsului dvs.** Numai în acest fel bateria reîncărcabilă și produsul pot fi utilizate fără pericol, iar bateriile reîncărcabile pot fi protejate împotriva supraîncărcării periculoase.
- **Încărcați bateriile numai cu încărcătoarele recomandate de producător sau de partenerii de sistem POWER FOR ALL.** Un încărcător care este adecvat pentru un tip de baterie poate prezenta un risc de incendiu atunci când este utilizat cu o altă baterie.
- **Bateria este livrată încărcată parțial.** Pentru a asigura capacitatea maximă a bateriei, încărcați complet bateria în încărcător înainte de a utiliza unealta electrică pentru prima dată.
- **Păstrați bateriile într-un loc inaccesibil copiilor.**
- **Nu deschideți bateria.** Există pericol de scurtcircuitare.
- **În caz de deteriorare și de utilizare necorespunzătoare a bateriei, pot fi emiși vapori. Bateria se poate aprinde sau poate exploda.** Asigurați-vă că zona este bine ventilată și solicitați asistență medicală dacă resimțiți efecte adverse. Vaporii pot irita sistemul respirator.
- **Dacă este utilizată incorect sau dacă este deteriorată, din baterie poate ieși lichid inflamabil.**

Trebuie evitat contactul cu acest lichid. Dacă intrați accidental în contact cu el, clătiți-vă cu apă. Dacă lichidul intră în contact cu ochii, solicitați asistență medicală suplimentară. Lichidul care iese din baterie poate cauza iritații sau arsuri.

- Dacă bateria este deteriorată, lichidul poate ieși din ea și poate acoperi suprafețele din apropiere. Verificați piesele afectate. Curățați aceste piese sau înlocuiți-le dacă este necesar.
- Nu scurtcircuitați bateria. Când bateria nu este utilizată, păstrați-o la distanță de alte obiecte metalice, precum agrafe de birou, monede, chei, cuie, șuruburi sau alte obiecte mici de metal, care pot crea o conexiune între borne. Scurtcircuitarea bornelor bateriei poate cauza arsuri sau incendii.
- Bateria poate fi deteriorată de obiecte ascuțite, cum ar fi cuie sau șurubelnițe sau de o forță aplicată din exterior. Se poate produce un scurtcircuit intern, ceea ce poate cauza arderea, emiteria de fum, explozia sau supraîncălzirea bateriei.
- Nu reparați niciodată acumulatorii deteriorați. Repararea acumulatorilor trebuie efectuată numai de către producător sau de către furnizorii de servicii autorizati.
- Protejați bateria împotriva căldurii, de exemplu, împotriva luminii solare intense continue, focului, murdăriei, apei și umezelii. Există risc de explozie și de scurtcircuit.
- Utilizați bateria din produs numai când temperatura ambiantă este între -5 °C — 40 °C.
- Depozitați bateria numai la o temperatură ambiantă între -20 °C — 50 °C. De exemplu, nu lăsați bateria în mașină în timpul verii. La temperaturi < 0 °C, unele dispozitive pot suferi o pierdere de energie.
- Încărcați bateria numai la o temperatură ambiantă care se situează între 0 °C — 35 °C. Încărcarea în afara acestui interval de temperatură poate crește riscul de deteriorare a bateriei și reprezintă un pericol de incendiu.

Siguranța încărcătorului bateriei



AVERTISMENT: Citiți toate instrucțiunile generale și de siguranță.

Nerespectarea instrucțiunilor generale și de siguranță poate cauza șoc electric, incendii și/sau răni grave. **Păstrați aceste instrucțiuni într-un loc sigur.** Utilizați încărcătorul numai dacă puteți evalua pe deplin toate funcțiile și le puteți efectua fără restricții sau dacă ați primit instrucțiunile corespunzătoare.

- **Supravegheați copiii în timpul utilizării, curățării și întreținerii.** Acest lucru va împiedica copiii să se joace cu încărcătorul.
- **Încărcați numai bateriile litiu-ion ale POWER FOR ALL sistemului de 18 V cu o capacitate de 1,5 Ah sau mai mult (5 celule de baterii sau mai multe). Tensiunea bateriei trebuie să corespundă cu**

tensiunea de încărcare a încărcătorului. Nu încărcați baterii care nu sunt reîncărcabile. În caz contrar, există risc de incendiu și de explozie.

- **Nu expuneți încărcătorul la ploaie sau la condiții de umezeală.** Apa care pătrunde într-o nealță electrică va spori pericolul de electrocutare.
- **Păstrați încărcătorul curat.** Murdăria prezintă un risc de șoc electric.
- **Verificați întotdeauna încărcătorul, cablul și fișa înainte de utilizare. Nu mai utilizați încărcătorul, dacă descoperiți vreo deteriorare. Nu deschideți dvs. înșivă încărcătorul și lăsați-l să fie reparat numai de un specialist calificat, folosind numai piese de schimb originale.** Încărcătoarele, cablurile și fișele deteriorate cresc riscul de electrocutare.
- **Nu utilizați încărcătorul pe o suprafață ușor inflamabilă (de ex. hârtie, materiale textile etc.) sau într-un mediu inflamabil.** Există un risc de incendiu din cauza încălzirii încărcătorului în timpul funcționării.
- **Reîncărcați numai cu încărcătorul specificat de producător.** Un încărcător adecvat pentru un tip de baterie poate constitui pericol de incendiu atunci când este utilizat cu un alt tip de baterie.
- **În caz de deteriorare și de utilizare necorespunzătoare a bateriei, pot fi emiși, de asemenea, vapori.** Asigurați-vă că zona este bine ventilată și solicitați asistență medicală în cazul în care resimiți efecte adverse. Vaporii pot irita sistemul respirator.
- **În condiții de utilizare abuzivă, din baterie se poate scurge lichid. Trebuie evitat contactul cu acest lichid. Dacă intrați accidental în contact cu acesta, clătiți-vă cu apă. Dacă lichidul intră în contact cu ochii, solicitați asistență medicală suplimentară.** Lichidul care iese din baterie poate cauza iritații sau arsuri.
- **Nu acoperiți fantele de ventilație ale încărcătorului.** În caz contrar, încărcătorul se poate supraîncălzi și nu mai funcționează corespunzător.
- **Pentru a evita pericolele de siguranță, dacă este necesară înlocuirea cablului de alimentare, acest lucru trebuie făcut de către Husqvarna sau de către un centru de service pentru clienți autorizat să repare unelele electrice Husqvarna.**
- **Produse vândute numai în Marea Britanie:** Produsul dvs. este echipat cu o fișă electrică aprobată BS 1363/A cu siguranță internă (aprobată de ASTA conform BS 1362). Dacă ștecherul nu este potrivit pentru prizele dvs. de curent, acesta trebuie tăiat și în locul lui trebuie montat un ștecher adecvat de către un agent de service clienți autorizat. Ștecherul de înlocuire trebuie să aibă aceeași valoare a siguranței ca și ștecherul original. Ștecherul tăiat trebuie aruncat pentru a evita un posibil pericol de electrocutare și nu trebuie introdus niciodată în altă parte într-o priză de rețea.



AVERTISMENT: Stop cardiac! În timpul funcționării, acest produs produce un câmp electromagnetic. În anumite condiții,

acest câmp poate interfera cu implanturile medicale active sau pasive. Pentru a scădea riscul de afecțiuni care pot conduce la vătămare sau la deces, recomandăm persoanelor cu implanturi medicale să consulte medicul și producătorul implantului medical înainte de a utiliza produsul.



AVERTISMENT: Risc de sufocare!

Componentele mici pot fi înghițite cu ușurință. Există, de asemenea, riscul de sufocare a copiilor mici, risc provocat de punga din polietilenă. Copii mici trebuie ținuti la distanță în timpul asamblării produsului.

Instrucțiuni de siguranță pentru întreținere



AVERTISMENT: Înainte de a efectua lucrări de întreținere asupra produsului, citiți instrucțiunile de avertisment de mai jos.

- Scoateți bateria înainte de a efectua întreținerea, alte verificări sau de a asambla produsul.
- Operatorul trebuie să efectueze numai operațiile de întreținere și service indicate în acest manual al operatorului. Apelați la reprezentantul de service pentru întreținerea și service-ul de mai mare amploare.
- Nu curățați niciodată bateria sau încărcătorul cu apă. Detergentul puternic poate deteriora plasticul.
- Dacă nu efectuați operații de întreținere, durata de viață a produsului scade, iar pericolul de accidente crește.
- Este necesară instruirea profesională specială pentru toate lucrările de service și reparații, mai ales pentru dispozitivele de siguranță de pe produs. Dacă nu toate verificările din acest manual al operatorului sunt aprobate; după ce ați efectuat operațiile de întreținere, apelați la reprezentantul de service. Vă garantăm că există servicii profesionale de reparații și service disponibile pentru produsul dvs.
- Utilizați doar piese de schimb originale.

Asamblarea

Introducere



AVERTISMENT: Citiți și înțelegeți capitoul referitor la siguranță înainte de asamblarea produsului.

Pentru a monta apărătoarea pentru capul de tuns

1. Puneți apărătoarea pentru capul de tuns pe carcasa motorului. (Fig. 32)
2. Montați cele 2 șuruburi prin carcasa motorului și apărătoarea pentru capul de tuns. (Fig. 33)
3. Strângeți șuruburile.

Pentru a asambla capul de tuns

1. Rotiți arborele de ieșire până când orificiul din discul de antrenare se aliniază cu orificiul din carcasa angrenajului.
2. Introduceți instrumentul de combinare în orificiul pentru a bloca arborele.
3. Rotiți capul de tuns în sensul acelor de ceasornic. (Fig. 34)

Montarea apărătoarei de plante

1. Montați apărătoarea de plante în orificiile de pe carcasa motorului. (Fig. 35)

2. Asigurați-vă că apărătoarea de plante se poate deplasa liber înainte și înapoi. (Fig. 36)

Pentru montarea cârligului pe perete

- Instalați cârligul în interior.
- Nu lăsați cârligul în lumina soarelui și păstrați-l la o temperatură ambientă cuprinsă între -10 °C și 70 °C.
- Instalați cârligul pe un perete din gips-carton, din lemn sau din beton.



ATENȚIE: Asigurați-vă că peretele poate susține sarcini de cel puțin 30 kg.

- Montați cârligul pe perete cu cele 3 șuruburi (A). Utilizați fișe de perete (B) dacă este necesar. (Fig. 37)



ATENȚIE: Asigurați-vă că șuruburile sunt aplicabile pentru tipul peretelui dvs.

- Contactați agentul de service Husqvarna, pentru informații despre accesoriile de depozitare disponibile pentru produsul dvs.

Funcționarea

Introducere



AVERTISMENT: Citiți și înțelegeți capitolul referitor la siguranță înainte de utilizarea produsului.

Înainte de a utiliza produsul

- Examinați zona de lucru pentru a vă asigura că știți despre ce tip de teren este vorba. Examinați panta și dacă există obstacole, precum pietre, ramuri și șanțuri.
- Efectuați o inspecție generală a produsului.
- Efectuați inspecțiile de siguranță, întreținerea și operațiile de service indicate în acest manual.
- Inspectați dacă motorul prezintă murdărie sau fisuri. Utilizați o perie pentru a curăța motorul de iarbă și frunze. Utilizați mănuși dacă este necesar.
- Examinați capul de tuns și apărătoarea accesoriului de tăiere pentru a vedea dacă nu prezintă deteriorări sau fisuri. Înlocuiți capul de tuns și apărătoarea accesoriului de tăiere dacă au suferit șocuri sau dacă prezintă fisuri.
- Verificați dacă toate șuruburile și piulițele sunt strânse bine.
- Asigurați-vă că toate capacele, apărătorile, mânerele și echipamentul de tăiere sunt corect atașate și nu sunt deteriorate, înainte de a porni produsul.

Baterie



AVERTISMENT: Înainte de a utiliza bateria, trebuie să citiți și să înțelegeți capitolul privind siguranța. Trebuie, de asemenea, să citiți și înțelegeți informațiile din manualul operatorului privind bateria și încărcătorul.

Păstrați bateria și încărcătorul la temperaturile ambiante corecte.

	Temperatură ambientă
Operarea bateriei în produs	-5 °C — 40 °C
Încărcarea bateriei	0 °C — 35 °C

Încărcarea bateriei

Încărcați bateria înainte de prima utilizare.

Nota: Bateria nu se încarcă, dacă temperatura bateriei depășește +35 °C.

1. Conectați cablul de alimentare pentru încărcătorul bateriei la o priză de curent cu împământare.



ATENȚIE: Asigurați-vă că rețeaua electrică are tensiunea și frecvența corecte.

2. Introduceți bateria în încărcătorul aferent. Bateria este conectată la încărcătorul de baterii atunci când LED-ul verde luminează intermitent. (Fig. 38)
3. Bateria este complet încărcată atunci când LED-ul verde de pe încărcătorul de baterii este aprins. Încărcați bateria timp de maximum 24 de ore.
4. Deconectați încărcătorul de baterii de la rețea.



ATENȚIE: Nu trageți de cablul de alimentare.

5. Scoateți bateria din încărcător.

LED-ul de stare a bateriei de pe încărcătorul de baterii

LED-ul roșu (A) și LED-ul verde (B) de pe încărcătorul de baterii indică starea bateriei. Consultați *LED-ul de stare a bateriei de pe produs la pagina 398*.

(Fig. 39)

LED	Stare baterie
LED-ul verde se aprinde intermitent rapid.	Bateria se încarcă.
LED-ul verde se aprinde intermitent lent.	Bateria este încărcată în proporție de 80%.
LED-ul verde se aprinde.	Bateria este complet încărcată.
LED-ul roșu este aprins.	Consultați <i>LED-ul de stare a bateriei de pe produs la pagina 398</i> .
LED-ul roșu se aprinde intermitent rapid.	Consultați <i>LED-ul de stare a bateriei de pe produs la pagina 398</i> .

LED-ul de stare a bateriei de pe produs

Atunci când bateria este instalată în produs, LED-urile de pe produs indică starea bateriei.

(Fig. 40)

LED	Stare baterie
Sunt aprinse LED-urile 1, 2 și 3.	Încărcată complet.

LED	Stare baterie
Sunt aprinse LED-urile 1 și 2.	Suficient încărcat
Este aprins LED-ul 1.	Tensiunea bateriei este joasă.
LED-ul 1 se aprinde intermitent.	Bateria este descărcată. Indicatorul de stare a bateriei se aprinde intermitent. Încărcați bateria. Consultați <i>Încărcarea bateriei la pagina 398</i> .

Pentru a conecta bateria la produs



AVERTISMENT: Folosiți bateria numai cu produse din sistemul POWER FOR ALL de 18 V.

- Asigurați-vă că bateria este încărcată complet.
- Glișați bateria în suportul de baterii al produsului. Bateria trebuie să gliceze ușor în suport; în caz contrar, nu este instalată corect.

(Fig. 41)
- Când auziți un clic, înseamnă că bateria s-a blocat în poziția corectă.

Pornirea produsului

- Apăsăți lung butonul on/off (pornire/oprire) până când LED-ul verde se aprinde. (Fig. 42)
- Apăsăți opritorul întrerupătorului și întrerupătorul. Echipamentul de tăiere începe să se rotească.

Pentru a regla mânerul semicircular și arborele telescopic

- Apăsăți butonul de reglare a mânerului semicircular.

(Fig. 43)
- Reglați mânerul semicircular la un unghi adecvat.
- Eliberați butonul de reglare a mânerului semicircular.
- Slăbiți pârghia pe arbore. (Fig. 44)
- Reglați lungimea necesară a arborelui.
- Închideți pârghia și strângeți șurubul.

Nota: Cele două poziții ale mânerului semicircular din ilustrația următoare sunt doar pentru transport și/sau pentru depozitare.

(Fig. 45)

Funcția de oprire automată

Produsul dispune de o funcție de oprire automată, care oprește produsul dacă acesta nu este utilizat. Produsul se oprește după 3 minutes.

Utilizarea produsului

Pentru a tunde iarba

- Țineți capul de tuns chiar deasupra solului, în poziție înclinată. Nu împingeți firul trimmerului în iarbă. (Fig. 46)
- Reduceți lungimea firului trimmerului cu 8-10 cm / 3,15-4 inchi.

Îndepărtarea ierbii

- Mențineți capul de tuns deasupra solului.
- Înclinați capul de tuns.
- Tăiați cu capătul firului de trimmer în jurul obiectelor din zona de lucru.



ATENȚIE: Tăiați iarbă. Alte obiecte care sunt lovite de firul de trimmer măresc uzura firului de trimmer.

Pentru a tăia iarba

- Când tăiați iarba, asigurați-vă că firul capului de tuns este paralel cu solul. (Fig. 47)
- Nu împingeți capul de tuns în sol. Aceasta poate deteriora produsul.
- Mișcați produsul dintr-o parte în alta când tăiați iarba. (Fig. 48)

Pentru a mătura iarba

Fluxul de aer de la firul capului rotativ de tuns se poate utiliza pentru eliminarea ierbii tăiate dintr-o zonă.

- Mențineți capul de tuns și firul capului de tuns paralel cu solul și deasupra acestuia.
- Mișcați capul de tuns dintr-o parte în alta și măturați iarba.



AVERTISMENT: Curățați capacul capului de tuns la fiecare asamblare a unui fir nou al trimmerului, pentru a preveni dezechilibrarea mânerelor și resimțirea vibrațiilor în acestea. De asemenea, verificați celelalte componente ale capului de tuns și curățați-le dacă este necesar.

Oprirea produsului

- Eliberați întrerupătorul sau opritorul întrerupătorului.
- Apăsăți butonul on/off (pornire/oprire) până când LED-ul verde se stinge.
- Apăsăți butonul de eliberare al bateriei și scoateți bateria din produs. (Fig. 49)

Pentru a înlocui firul trimmerului

Consultați ultima pagină a manualului operatorului.

Întreținerea

Introducere



AVERTISMENT: Citiți și înțelegeți capitolul privind siguranța înainte de a efectua operații de întreținere asupra produsului.

Program de întreținere



AVERTISMENT: Scoateți bateria înainte de a efectua operații de întreținere.

În continuare prezentăm o listă de pași de întreținere care trebuie efectuați asupra aparatului. Consultați *Întreținerea la pagina 400* pentru mai multe informații.

Întreținerea	Zilnic	Săptămănal	Lunar
Curățați componentele externe ale produsului cu o cârpă uscată. Nu folosiți apă.	X		
Verificați dacă butonul de pornire și oprire funcționează corect și nu este deteriorat.	X		
Asigurați-vă că întrerupătorul și opritorul întrerupătorului funcționează corect din punct de vedere al siguranței.	X		
Asigurați-vă că toate comenzile funcționează și nu sunt deteriorate.	X		
Mențineți mânerul uscat, curat, fără ulei și unsoare.	X		
Asigurați-vă că accesoriul de tăiere nu este deteriorat. Înlocuiți accesoriul de tăiere, dacă este deteriorat.	X		
Asigurați-vă că apărătoarea accesoriului de tăiere nu este deteriorată. Înlocuiți apărătoarea accesoriului de tăiere, dacă este deteriorată.	X		
Verificați dacă șuruburile și piulițele sunt strânse.	X		
Asigurați-vă că butoanele de eliberare de pe baterie funcționează și blochează bateria în produs.	X		
Verificați ca încărcătorul de baterie să nu fie deteriorat și să funcționeze corect.	X		
Asigurați-vă că bateria nu este deteriorată.	X		
Asigurați-vă că bateria este încărcată.	X		
Asigurați-vă că încărcătorul de baterii nu este deteriorat.	X		
Examinați toate cablurile, cuplajele și conexiunile. Asigurați-vă că nu sunt deteriorate și nu sunt murdare.		X	
Verificați legăturile dintre baterie și produs. Verificați legăturile dintre baterie și încărcătorul bateriei.			X

Examinarea bateriei și încărcătorului

1. Examinați bateria pentru a identifica defecțiunile, de exemplu fisuri.
2. Examinați încărcătorul de baterii pentru a identifica defecțiunile, de exemplu fisuri.

3. Asigurați-vă că cablul de conectare al încărcătorului de baterii nu este deteriorat și că nu prezintă fisuri.

Curățarea produsului, bateriei și încărcătorului

1. Curățați produsul cu o cârpă uscată după utilizare.

2. Curățați bateria și încărcătorul de baterii cu o cârpă uscată. Mențineți curate șinele de ghidaj al bateriei.
3. Asigurați-vă că bornele bateriei și încărcătorul de baterii sunt curate, înainte ca bateria să fie introdusă în încărcător sau produs.
3. Introduceți instrumentul de combinare în orificiu pentru a bloca arborele.
4. Rotiți capul de tuns în sensul invers acelor de ceasornic.

(Fig. 50)

Pentru a verifica și a înlocui capul de tuns

1. Verificați capul de tuns pentru a vedea dacă prezintă deteriorare și fisuri.
2. Rotiți arborele de ieșire până când orificiul din discul de antrenare se aliniază cu orificiul din carcasa angrenajului.
5. Înlocuiți capul de tuns.
6. Asamblați capul de tuns. Consultați *Pentru a asambla capul de tuns la pagina 397*.

Depanarea

Interfața cu utilizatorul

Problemă	Erori posibile	Soluție posibilă
LED-ul verde de pornire se aprinde intermitent.	Tensiune joasă a bateriei.	Încărcați bateria.
LED-ul roșu de eroare luminează intermitent.	Suprasolicitare.	Accesorii de tăiere nu se mișcă liber. Eliberați accesoriul de tăiere.
	Deviație de temperatură.	Lăsați produsul să se răcească.
	Întreprupătorul și butonul start sunt apăsați simultan.	Eliberați întreprupătorul și apăsați butonul start.
LED-ul verde și LED-ul roșu luminează intermitent în mod alternativ.	Bateria este goală.	Încărcați bateria.
	Bateria este deteriorată.	Adresați-vă reprezentativului de service.

Încărcător de baterii

LED-ul de pe încărcătorul de baterii	Cauză	Soluție
LED-ul verde este aprins, iar LED-ul roșu se aprinde intermitent.	Bateria este instalată incorect în încărcătorul de baterii.	Scoateți bateria din încărcător și instalați-o din nou în încărcătorul de baterii.
	Conectorii bateriei sunt murdari.	Curățați conectorii bateriei.
	Temperatura ambientă este prea ridicată sau prea scăzută.	Utilizați încărcătorul de baterii la temperaturi între 0 și +35 °C.
	Bateria este defectă.	Înlocuiți bateria.

LED-ul de pe încărcătorul de baterii	Cauză	Soluție
LED-ul verde și LED-ul roșu sunt stinse.	Încărcătorul de baterii nu este conectat corect la priza de rețea.	Conectați încărcătorul de baterii la o priză de alimentare.
	Priză de rețea defectă.	Conectați încărcătorul bateriei la tensiunea și la frecvența specificate pe plăcuța de identificare.
	Cablul încărcătorului de baterie este defect.	Discutați cu un agent de service autorizat.
	Încărcătorul de baterie este defect.	
Alte erori.	Dacă alte apar erori, asigurați-vă că produsul este oprit, scoateți bateria și contactați un agent de service autorizat.	

Transportul, depozitarea și eliminarea

Transportul și depozitarea

- Bateriile cu ioni de litiu furnizate respectă cerințele legislației privind bunurile periculoase.
- Respectați cerințele speciale de pe ambalaj și etichete privind transportul comercial, inclusiv cele emise de către terțe părți și companiile de expediție.
- Discutați cu o persoană care a beneficiat de instruire specială privind materialele periculoase înainte de a trimite produsul. Respectați toate reglementările naționale aplicabile.
- Aplicați bandă adezivă pe contactele expuse atunci când introduceți bateria într-un pachet. Bateria trebuie ambalată astfel încât să nu se poată deplasa în interiorul pachetului.
- La depozitare și la transport, scoateți întotdeauna bateria.
- Puneți bateria și încărcătorul de baterii într-un spațiu uscat și ferit de umezeală și îngheț.
- Nu păstrați bateria într-un loc în care poate apărea electricitate statică. Nu depozitați bateria într-o cutie metalică.
- Depozitați bateria la temperaturi între -20°C (-4°F) și +50°C (122°F), într-un loc ferit de radiațiile solare directe.
- Depozitați încărcătorul de baterii la temperaturi între 5°C (41°F) și 45°C (113°F), într-un loc ferit de radiațiile solare directe.
- Depozitați produsul la temperaturi cuprinse între 40°C/104°F și +60°C/140°F.
- Utilizați încărcătorul de baterii numai la temperaturi ambiante cuprinse între 0°C/32°F și 35°C/95°F.
- Încărcați bateria în proporție de 30 % - 50 % înainte de a o depozita pe o perioadă lungă.

- Depozitați încărcătorul de baterii într-un spațiu închis și uscat.
- Nu depozitați bateria lângă încărcătorul bateriei. Nu lăsați copiii și alte persoane neautorizate să atingă echipamentul. Păstrați echipamentul într-un spațiu pe care îl puteți încuia.
- Curățați produsul și efectuați un service complet înainte de a depozita produsul pentru o perioadă lungă de timp.
- Utilizați apărătoarea de transport pe produs pentru a preveni accidentarea sau deteriorarea produsului în timpul transportului și depozitării.
- Fixați foarte bine produsul în timpul transportului.
- Păstrați produsul în depozit pe orizontală sau agățați-l de cârligul furnizat. Consultați *Pentru montarea cârligului pe perete la pagina 397*.

(Fig. 51)

Eliminarea bateriei, încărcătorului acesteia și a produsului

Simbolul de mai jos înseamnă că produsul nu poate fi tratat ca reziduu menajer. Reciclați-l la un centru de reciclare pentru echipamente electrice și electronice. Această măsură ajută la protejerea mediului și a oamenilor.

Contactați autoritățile locale, centrul de colectare a reziduurilor menajere sau distribuitorul pentru mai multe informații.

(Fig. 18)

Nota: Simbolul apare pe produs sau pe ambalajul produsului.

Date tehnice

Date tehnice

	Aspire T28-P4A
Motor	
Tip de motor	PMDC
Turația arborelui de ieșire, rpm	6800
Lățime de tăiere, mm	280
Greutate	
Greutate fără baterie, kg	2,6
Greutate cu baterie (P4A 18-B45/P4A 18-B70), kg	3,0/3,3
Emisii de zgomot ⁵⁸	
Nivel de putere acustică, măsurat dB(A)	85
Nivel de putere acustică garantat L_{WA} dB(A)	88
Niveluri de zgomot ⁵⁹	
Nivel echivalent de presiune acustică la urechea operatorului, măsurat conform EN ISO 50636-2-91, dB (A)	73
Niveluri de vibrații ⁶⁰	
Nivelurile de vibrații la mână, măsurate în conformitate cu EN50636-2-91, m/s^2	2,26/1,61
Dotat cu cap de tuns (original), față / spate.	

Baterie	P4A 18-B45	P4A 18-B72
Tip	Litiu-ion	Litiu-ion
Capacitate baterie, Ah	Consultați autocolantul de identificare a bateriei	Consultați autocolantul de identificare a bateriei
Tensiune nominală, V	18	18
Greutate, kg	0,4	0,7

⁵⁸ Emisiile de zgomot în mediu măsurate ca putere acustică (L_{WA}) în conformitate cu directiva CE 2000/14/CE. Diferența dintre puterea garantată a zgomotului și cea măsurată este aceea că puterea garantată a zgomotului include, de asemenea, dispersia în rezultatul de măsurare și variațiile dintre diferitele produse ale aceluiași model conform Directivei 2000/14/CE.

⁵⁹ Datele raportate pentru nivelul echivalent de presiune a zgomotului pentru produs prezintă o dispersie statistică tipică (abatere standard) de 3 dB (A).

⁶⁰ Datele raportate pentru nivelul de vibrații prezintă o dispersie statistică tipică (abatere standard) de 1,5 m/s^2 .

Încărcător de baterii	P4A 18-C70
Tensiune rețea, V	220-240
Frecvență, Hz	50-60
Putere, W	70
Tensiune de ieșire, V cc/ amperi, A	14,4-18/3

Accesorii

Accesorii aprobate

Accesorii aprobate	Tip	Apărătoare accesoriu de tăiere, nr. piesă
Cap de tuns	A15B M5 (cablu cu Ø 1,6 mm)	536 47 32-01

Declarație de conformitate

Declarație de conformitate UE

Noi, **Husqvarna AB**, SE-561 82 Husqvarna, Suedia, tel.:
+46-36-146500, declarăm pe propria răspundere, că
produsul:

Descriere	Trimmer pentru iarbă cu baterie
Marcă	Husqvarna
Tip/Model	Aspire T28-P4A
Identificare	Numere de serie începând cu 2023 și ulterior

respectă în totalitate următoarele directive și
reglementări UE:

Directivă/Reglemen- tare	Descriere
2006/42/CE	„privind utilajele”
2014/30/UE	„privind compatibilitatea electromagnetică”
2000/14/CE	„privind emisiile de zgomot în mediul înconjurător”
2011/65/UE	„privind restricțiile de utilizare a anumitor substanțe periculoase la echipamente electrice și electronice”

și că au fost aplicate următoarele standarde și/sau
specificații tehnice: EN 60335-1:2012/A15:2021, EN
50636-2-91:2014, EN IEC 63000:2018, EN IEC
55014-1:2021; EN IEC 55014-2:2021.

Organismul notificat: 0158 DEKRA Testing and
Certification GmbH, Handwerkstraße 15, 70565
Stuttgart, Germany a certificat conformitatea cu directiva
2000/14/CE a consiliului, procedura de evaluare a
conformității: Anexa VI.

Pentru informații privind emisiile de zgomot, consultați
Date tehnice la pagina 403.

Husqvarna, 2023-12-14



Claes Losdal, Manager Cercetare și dezvoltare,
Husqvarna AB

Responsabil pentru documentația tehnică



Licențe

Copyright © 2012–2020 STMicroelectronics

Garanția nu acoperă defecțiunile rezultate în urma uzurii normale, neglijenței, utilizării defectuoase, reparațiilor neautorizate sau în urma conectării echipamentului de aspirare la tensiune necorespunzătoare.

Toate drepturile rezervate.

Redistribuirea și utilizarea în formele sursă și binare, cu sau fără modificări, sunt permise cu condiția respectării următoarelor condiții:

- Redistribuirea codului sursă trebuie să mențină notificarea de mai sus privind drepturile de autor, această listă de condiții și următoarea clauză de renunțare.
- Redistribuirile în formă binară trebuie să reproducă în documentație și/sau în alte materiale furnizate împreună cu distribuția, notificarea de mai sus privind drepturile de autor, această listă de condiții și următoarea clauză de renunțare la răspundere.
- Nici denumirea STMicroelectronics și nici numele colaboratorilor săi nu pot fi folosite pentru a susține sau a promova produse derivate din acest software, fără o autorizație scrisă prealabilă specifică.

ACEST SOFTWARE ESTE FURNIZAT DE DEȚINĂTORII DREPTURILOR DE AUTOR ȘI DE CONTRIBUITORI „CA ATARE” ȘI SUNT REFUZATE ORICE GARANȚII EXPRESE SAU IMPLICITE, INCLUSIV, DAR FĂRĂ A SE LIMITA LA GARANȚIILE IMPLICITE DE VANDABILITATE ȘI DE ADECVARE PENTRU UN ANUMIT SCOP. ÎN NICIUN CAZ TITULARUL DREPTURILOR DE AUTOR SAU COLABORATORII NU VOR FI RĂSPUNZĂTORI PENTRU DAUNE DIRECTE, INDIRECTE, ACCIDENTALE, SPECIALE, EXEMPLARE SAU PE CALE DE CONSECINȚĂ (INCLUSIV, DAR FĂRĂ A SE LIMITA LA PROCURAREA DE BUNURI SAU SERVICII ÎNLOCUITOARE; PIERDEREA DE UTILIZARE, DATE SAU PROFITURI; SAU ÎNTRERUPEREA ACTIVITĂȚII), INDIFERENT DE CAUZĂ ȘI DE TEORIA RĂSPUNDERII, FIE CĂ ESTE VORBA DE CONTRACT, RĂSPUNDERE STRICTĂ SAU DELICT (INCLUSIV NEGLIJENȚĂ SAU ALTCEVA), CARE REZULTĂ ÎN ORICE MOD DIN UTILIZAREA ACESTUI SOFTWARE, CHIAR DACĂ AU FOST INFORMAȚI DE POSIBILITATEA UNOR ASTFEL DE DAUNE.

Licența Apache 2.0

Copyright © 2009-2019 Arm Limited. Toate drepturile rezervate.

Versiunea 2.0, Ianuarie 2004 <http://www.apache.org/licenses/>

TERMENI ȘI CONDIȚII DE UTILIZARE, REPRODUCERE ȘI DISTRIBUIRE

1. Definiții.

„**Licență**” înseamnă termenii și condițiile de utilizare, reproducere și distribuire, după cum sunt definite în secțiunile 1-9 din prezentul document. „**Licențiator**” înseamnă proprietarul drepturilor de autor sau entitatea autorizată de proprietarul drepturilor de autor care acordă Licența. „**Entitate juridică**” reprezintă uniunea dintre entitatea care acționează și toate celelalte entități care controlează, sunt controlate sau se află sub control comun cu entitatea respectivă. În sensul acestei definiții, „**control**” înseamnă (i) puterea, directă sau indirectă, de a determina conducerea sau managementul unei astfel de entități, fie prin contract, fie în alt mod sau (ii) deținerea a cel puțin cincizeci la sută (50%) din acțiunile în circulație sau (iii) deținerea efectivă a unei astfel de entități. „**Dvs.**” (sau „**A/al/ai/ale dvs.**”) înseamnă o persoană fizică sau o entitate juridică ce exercită permisiunile acordate prin prezenta licență. Forma „**sursă**” înseamnă forma preferată pentru efectuarea modificărilor, inclusiv, dar fără a se limita la codul sursă al software-ului, sursa documentației și fișierele de configurare. Forma „**obiect**” înseamnă orice formă rezultată din transformarea mecanică sau din translatarea unei forme sursă, inclusiv, dar fără a se limita la codul obiect compilat, documentația generată și conversiile în alte tipuri de suporturi. „**Lucrare**” înseamnă lucrarea de autor, în formă de sursă sau de obiect, pusă la dispoziție în temeiul licenței, așa cum este indicată de o notă de drepturi de autor inclusă în lucrare sau atașată la aceasta (un exemplu este furnizat în anexa de mai jos). „**Lucrări derivate**” înseamnă orice lucrare, în formă de sursă sau de obiect, care se bazează pe lucrare (sau derivă din aceasta) și pentru care revizuirile editoriale, adnotările, elaborările sau alte modificări reprezintă, în ansamblu, o lucrare originală a autorului. În sensul prezentei licențe, lucrările derivate nu includ lucrările care rămân separabile de lucrare sau care au doar o legătură (sau se leagă prin nume) cu interfețele lucrării și ale lucrărilor derivate ale acesteia. „**Contribuție**” înseamnă orice lucrare de autor, inclusiv versiunea originală a lucrării și orice modificări sau adăugiri la acea lucrare sau lucrări derivate ale acesteia, care este transmisă în mod intenționat Licențiatorului pentru a fi inclusă în lucrare de titularul drepturilor de autor sau de o persoană fizică sau juridică autorizată să transmită în numele titularului drepturilor de autor. În sensul acestei definiții, „**trimis**” înseamnă orice formă de comunicare electronică, verbală sau scrisă trimisă Licențiatorului sau reprezentanților acestuia, inclusiv, dar fără a se limita la comunicarea pe listele de discuții electronice, sistemele de control al codului sursă și sistemele de urmărire a problemelor care sunt gestionate de Licențiator sau în numele acestuia în scopul discutării și îmbunătățirii Lucrării, dar cu excepția comunicării care este marcată în mod vizibil sau desemnat în scris de titularul dreptului de autor ca nefiind „**O contribuție**”. „**Contributor**” înseamnă Licențiatorul și orice persoană fizică sau juridică în numele căreia Licențiatorul a

primit o Contribuție și care a fost ulterior încorporată în Lucrare.

2. Acordarea licenței de drepturi de autor.

Sub rezerva termenilor și condițiilor prezentei licențe, fiecare contribuitor vă acordă prin prezenta o licență perpetuă, mondială, neexclusivă, gratuită, fără redevențe și irevocabilă de drepturi de autor pentru a reproduce, a pregăti lucrări derivate, a afișa în public, a executa în public, a sublicenția și a distribui lucrarea și astfel de lucrări derivate în forma sursă sau obiect.

3. Acordarea licenței de brevetare.

Sub rezerva termenilor și condițiilor prezentei licențe, fiecare contribuitor vă acordă prin prezenta o licență de brevet perpetuă, mondială, neexclusivă, gratuită, fără redevențe, irevocabilă (cu excepția celor menționate în această secțiune) pentru a realiza, a face să se realizeze, a utiliza, a oferi spre vânzare, a vinde, a importa și a transfera în alt mod lucrarea, în cazul în care o astfel de licență se aplică numai acelor revendicări de brevete care pot fi licențiate de un astfel de contribuitor și care sunt în mod necesar încălcate de contribuția (contribuțiile) sa (lor) singură (singure) sau prin combinarea contribuției (contribuțiilor sale) cu lucrarea la care a (au) fost trimise. Dacă inițiați un litigiu privind brevetele împotriva oricărei entități (inclusiv o cerere convențională sau o cerere reconvențională în cadrul unui proces), în care se susține că lucrarea sau o contribuție încorporată în lucrare constituie o încălcare directă sau indirectă a unui brevet, atunci orice licență de brevet care vă este acordată în temeiul prezentei licențe pentru lucrarea respectivă va înceta la data la care se depune un astfel de litigiu.

4. Redistribuire.

Puteți reproduce și distribui copii ale Lucrării sau ale Lucrărilor derivate pe orice suport, cu sau fără modificări și în formă de sursă sau obiect, cu condiția să îndepliniți următoarele condiții:

- trebuie să oferiți oricărui alt destinatar al Lucrării sau al lucrărilor derivate o copie a prezentei licențe; și
- trebuie să faceți ca toate fișierele modificate să poarte notificări proeminente care să precizeze că ați modificat fișierele; și - trebuie să păstrați, în forma sursă a oricăror lucrări derivate pe care le distribuiți, toate notificările privind drepturile de autor, brevetele, mărcile comerciale și atribuirea din forma sursă a lucrării, cu excepția acelor notificări care nu se referă la nicio parte a lucrărilor derivate; și
- Dacă lucrarea include un fișier text „**NOTIFICARE**” ca parte a distribuției sale, atunci orice Lucrări derivate pe care le distribuiți trebuie să includă o copie lizibilă a notificărilor de atribuire conținute în acest fișier NOTIFICARE, cu excepția acelor notificări care nu se referă la nicio parte a Lucrărilor derivate, în cel puțin unul dintre următoarele locuri: într-un fișier text NOTIFICARE distribuit ca parte a Lucrărilor derivate; în forma sursă sau în documentație, dacă este furnizat împreună cu

Lucrările derivate; sau, într-un afișaj generat de Lucrările derivate, dacă și oriunde apar în mod normal astfel de notificări ale terților. Conținutul fișierului NOTIFICARE are doar scop informativ și nu modifică licența. Puteți adăuga propriile dvs. notificări de atribuire în cadrul lucrărilor derivate pe care le distribuiți, alături de textul NOTIFICARE din lucrare sau ca o anexă la acesta, cu condiția ca aceste notificări de atribuire suplimentare să nu poată fi interpretate ca o modificare a licenței. Puteți adăuga propria declarație privind drepturile de autor la modificările dvs. și puteți furniza termeni și condiții de licență suplimentare sau diferite pentru utilizarea, reproducerea sau distribuirea modificărilor dvs. sau pentru orice astfel de lucrări derivate în ansamblu, cu condiția ca utilizarea, reproducerea și distribuirea de dvs. a opereii să respecte altfel condițiile stabilite în prezenta licență.

5. Trimiterea contribuțiilor.

Cu excepția cazului în care dvs. declarați în mod explicit contrariul, orice Contribuție trimisă în mod intenționat de dvs. licențiatorului pentru a fi inclusă în lucrare va fi supusă termenilor și condițiilor prezentei Licențe, fără termeni sau condiții suplimentare. Fără a aduce atingere celor de mai sus, nicio prevedere din prezentul document nu va înlocui și nu va modifica termenii niciunui contract de licență separat pe care este posibil să-l fi încheiat cu Licențiatorul cu privire la astfel de Contribuții.

6. Mărci comerciale.

Prezenta Licență nu acordă permisiunea de a utiliza denumirile comerciale, mărcile comerciale, mărcile de servicii sau denumirile de produse ale Licențiatorului, cu excepția cazului în care acest lucru este necesar pentru o utilizare rezonabilă și uzuală în descrierea originii Lucrării și reproducerea conținutului fișierului NOTIFICARE.

7. Declinarea garanțiilor.

Cu excepția cazului în care legislația aplicabilă o impune sau se convine în scris, Concedentul furnizează Lucrarea (și fiecare Colaborator furnizează Contribuțiile sale) pe ÎN MOD „CA ATARE”, FĂRĂ GARANȚII SAU CONDIȚII DE NICIUN FEL, fie acestea exprese sau implicite, inclusiv, dar fără a se limita la orice garanții sau condiții de TITLU, NEÎNCĂLCARE, COMERCIALIZARE sau ADECVARE PENTRU UN ANUMIT SCOP Sunteți singurul responsabil pentru determinarea oportunității utilizării sau redistribuirii Lucrării și vă asumați toate riscurile asociate cu exercitarea de dvs. a permisiunilor în temeiul acestei Licențe. 8. Limitarea responsabilității. În niciun caz și sub nicio teorie legală, fie că este vorba de răspundere civilă delictuală (inclusiv neglijență), contract sau altfel, cu excepția cazului în care legea aplicabilă o cere (cum ar fi acte deliberate și acte de neglijență gravă) sau dacă se convine în scris, niciun Contribuitor nu va fi răspunzător față de dvs. pentru daune, inclusiv orice

daune directe, indirecte, speciale, accidentale, sau pe cale de consecință, de orice natură, care rezultă din această licență sau din utilizarea sau incapacitatea de a utiliza lucrarea (inclusiv, dar fără a se limita la daune pentru pierderea fondului comercial, oprirea activității, defecțiuni sau defecțiuni ale calculatorului sau orice alte daune sau pierderi comerciale), chiar dacă respectivul contribuitor a fost informat de posibilitatea unor astfel de daune.

9. Acceptarea garanției sau a răspunderii suplimentare.

La redistribuirea Lucrării sau a Lucrărilor derivate din această, puteți alege să oferiți și să percepeți o

taxă pentru acceptarea obligațiilor și/sau drepturilor de asistență, garanție, despăgubire sau alte obligații și/sau drepturi de răspundere în conformitate cu prezenta Licență. Cu toate acestea, în acceptarea acestor obligații, puteți acționa numai în numele dvs. și pe răspunderea dvs. exclusivă, nu în numele niciunui alt contribuitor și numai dacă sunteți de acord să despăgubiți, să apărați și să exonerați de răspundere fiecare colaborator pentru orice răspundere asumată sau pretenții formulate împotriva acestuia din cauza acceptării de dvs. a unei astfel de garanții sau răspunderi suplimentare. SFĂRȘITUL TERMENILOR ȘI CONDIȚIILOR

Obsah

Úvod.....	408	Preprava, skladovanie a likvidácia.....	422
Bezpečnosť.....	410	Technické údaje.....	422
Montáž.....	417	Príslušenstvo.....	424
Prevádzka.....	417	Vyhľadanie o zhode.....	425
Údržba.....	419	Licencie.....	426
Riešenie problémov.....	421	Príloha	507

Úvod

Popis výrobku

Husqvarna Aspire T28-P4A je akumulátorový vyžínáč na trávu s elektrickým motorom.

Neustále pracujeme na tom, aby sme zabezpečili vyššiu bezpečnosť a efektívnosť počas prevádzky. Ak potrebujete ďalšie informácie, obráťte sa na servisného predajcu.

Plánované použitie

Výrobok sa používa s vyžínacou hlavou na kosenie trávy. Výrobok nepoužívajte na iné účely ako kosenie či vyžínanie trávnatého porastu.

Prehľad výrobku

(Obr. 1)

1. Vyžínacia hlava
2. Kryt rezacieho nadstavku
3. Ramienko na ochranu rastlín
4. Nastavenie hriadeľa (teleskopické)
5. Hriadeľ
6. Oblúková rukoväť
7. Údržbový kryt
8. Tlačidlo na nastavenie oblúkovej rukoväte
9. Používateľské rozhranie
10. Výstražný indikátor
11. Indikátor stavu nabitia
12. Vypínač
13. Páčka vypínača

Poznámka: Používanie tohto výrobku môže byť obmedzené vnútroštátnymi predpismi.


Stručný návod

Pre návod, ako používať produkt naskenujte QR kód.

(Obr. 20)

14. Blokovanie páčky vypínača
15. Batéria (P4A 18-B45)
16. Tlačidlo uvoľnenia batérie
17. Batéria (P4A 18-B72)
18. Nabíjačka batérie (P4A 18-C70)
19. Spojka
20. Indikátor zapnutia a upozornenia
21. Kombinovaný nástroj
22. Nástenný hák
23. Skrutky a hmoždinky pre nástenný hák
24. Návod na obsluhu


Symbole na výrobku

- (Obr. 2) UPOZORNENIE: Tento výrobok môže byť nebezpečný a spôsobiť vážne poranenie alebo usmrtenie obsluhujúceho pracovníka alebo iných osôb. Postupujte opatrne a používajte výrobok správnym spôsobom.
- (Obr. 3) Skôr než začnete produkt používať, pozorne si prečítajte návod na obsluhu a dôsledne sa oboznámte s pokynmi.
- (Obr. 4) Používajte chrániče očí.
- (Obr. 5) Výrobok nevystavujte dažďu.
- (Obr. 6) Označenie týkajúce sa emisie hluku do okolia podľa smerníc a nariadení EÚ a UK a legislatívy v štáte New South Wales „Protection of the Environment Operations (Noise Control) Regulation 2017“ (Nariadenie o ochrane životného prostredia pri prevádzke (kontrola hluku) z roku 2017). Garantovaná hladina akustického výkonu produktu je uvedená v *Technické údaje na strane 422*.
- (Obr. 7) Pred vykonávaním údržby odpojte batériu.
- (Obr. 8) Výrobok alebo jeho obal nepredstavuje komunálny odpad. Recyklujte ho v recyklačnej stanici určenej pre elektrické a elektronické zariadenia.
- (Obr. 9) Dávajte si pozor na odhodené predmety.
- (Obr. 10) Nepoužívajte kovové čepele.
- (Obr. 11) Tento výrobok je v súlade s príslušnými smernicami EÚ.
- (Obr. 12) Tento výrobok je v súlade s príslušnými právnymi predpismi Spojeného kráľovstva.
- (Obr. 13) Jednosmerný prúd.
- (Obr. 17)  Vzdialenosť medzi strojom a okolostojacimi osobami musí byť aspoň 15 m (50 stôp).



Výkonový štítok alebo laserová tlač zobrazuje výrobné číslo. **yyyy** je rok výroby a **ww** je týždeň výroby.

Symbole na výrobku

- (Obr. 2) UPOZORNENIE: Tento výrobok môže byť nebezpečný a spôsobiť vážne poranenie alebo usmrtenie obsluhujúceho pracovníka alebo iných osôb. Postupujte opatrne a používajte výrobok správnym spôsobom.
- (Obr. 3) Skôr než začnete produkt používať, pozorne si prečítajte návod na obsluhu a dôsledne sa oboznámte s pokynmi.
- (Obr. 4) Používajte chrániče očí.
- (Obr. 5) Výrobok nevystavujte dažďu.
- (Obr. 6) Označenie emisií hluku do životného prostredia podľa smerníc a nariadení EÚ a Spojeného kráľovstva (vrátane legislatívy Nového Južného Walesu). Údaje o emisii hluku možno nájsť na štítku stroja a v kapitole s technickými údajmi.
- (Obr. 7) Pred vykonávaním údržby odpojte batériu.
- (Obr. 8) Výrobok alebo jeho obal nepredstavuje komunálny odpad. Recyklujte ho v recyklačnej stanici určenej pre elektrické a elektronické zariadenia.
- (Obr. 9) Dávajte si pozor na odhodené predmety.
- (Obr. 10) Nepoužívajte kovové čepele.
- (Obr. 11) Tento výrobok je v súlade s príslušnými smernicami EÚ.
- (Obr. 13) Jednosmerný prúd.
- (Obr. 17)  Vzdialenosť medzi strojom a okolostojacimi osobami musí byť aspoň 15 m (50 stôp).



Výkonový štítok alebo laserová tlač zobrazuje výrobné číslo. **yyyy** je rok výroby a **ww** je týždeň výroby.

Symbyly na batérii a/alebo na nabíjačke batérií

(Obr. 18) Tento výrobok recyklujte v recyklačnej stanici určenej pre elektrické a elektronické zariadenia. (Upozorňuje sa iba na Európu)

(Obr. 19) Batériu používajte len vo výrobkoch od partnerov systému POWER FOR ALL.

(Obr. 14) Transformátor odolný voči poruchám.

(Obr. 15) Nabíjačku batérie používajte a skladujte len v interiéri.

(Obr. 16) Dvojité izolácia.

Poškodenie výrobku

Nie sme zodpovední za škody na našom výrobku v prípade:

- nesprávne vykonanej opravy výrobku,
- opravy výrobku, pri ktorej neboli použité diely od výrobcu alebo diely schválené výrobcom,
- používania príslušenstva od iného výrobcu alebo príslušenstva, ktoré nie je schválené výrobcom,
- opravy výrobku, ktoré neboli vykonané v schválenom servisnom stredisku alebo schválenými kompetentnými osobami.

Výrobca

Husqvarna AB

SE-561 82, Huskvarna, Sweden

Bezpečnosť

Bezpečnostné definície

Výstrahy, upozornenia a poznámky slúžia na zdôraznenie mimoriadne dôležitých častí návodu.



VÝSTRAHA: Používa sa, ak pre obsluhu alebo osoby v okolí existuje nebezpečenstvo poranenia alebo smrti v prípade nedodržania pokynov v návode.



VAROVANIE: Používa sa, ak hrozí nebezpečenstvo poškodenia produktu, iných materiálov alebo okolitej oblasti v prípade nedodržania pokynov v návode.

Poznámka: Používa sa na poskytnutie informácií nad rámec nevyhnutných informácií v danej situácii.

Všeobecné bezpečnostné upozornenie pre elektrické nástroje



VÝSTRAHA: Prečítajte si všetky bezpečnostné upozornenia a pokyny. Nedodržanie týchto výstrah a pokynov môže spôsobiť zásah elektrickým prúdom, požiar a/alebo ťažké zranenia.

Poznámka: Uchovajte si všetky upozornenia a pokyny pre budúce použitie. Výraz „elektrický nástroj“ v upozorneniach označuje elektrický nástroj napájaný z elektrickej siete (s káblom) alebo napájaný z akumulátora (bez kábla).

Skontrolujte pred naštartovaním

- Akumulátor vždy vyberte, aby nedošlo k náhodnému zapnutiu výrobku. Pred akoukoľvek údržbou zariadenia vždy vyberte akumulátor.
- Pred použitím výrobku a po akomkoľvek náraze skontrolujte známky opotrebovania alebo poškodenia a podľa potreby vykonajte opravu.
- Skontrolujte pracovnú oblasť. Odstráňte všetky voľné predmety, ako sú kamene, úlomky skla, kince, ocelové drôty, šnúry a pod., ktoré by mohli pri strihaní vyletúvať alebo sa namotať na rezací nástroj alebo kryt rezacieho nástroja.
- Skontrolujte, či motor nie je znečistený a prasknutý. Očistite motor od trávy a lístia pomocou kefy. V prípade potreby noste rukavice.
- Skontrolujte, či je vyžínacia hlava úplne pripevnená k vyžínaciu.
- Skontrolujte, či je výrobok v úplnom poriadku. Skontrolujte, či sú všetky matice a skrutky zatahnuté.
- Skontrolujte či vyžínacia hlava a kryt vyžínacej hlavy nie sú poškodené alebo prasknuté. Vyžínaciu hlavu alebo ochranný kryt vymeňte, pokiaľ boli vystavené nárazom, alebo ak sú niekde prasknuté. Vždy používajte správny odporúčaný ochranný kryt zodpovedajúci používanému rezaciemu nadstavcu. Pozri kapitolu Technické dáta.
- Používateľ výrobku musí zabezpečiť, aby sa počas práce nemohli žiadni ľudia ani zvieratá priblížiť do vzdialenosti 15 metrov od výrobku. Pokiaľ v rovnakom priestore pracujú niekto iní používatelia, bezpečná vzdialenosť medzi nimi musí byť minimálne 15 metrov.

- Pred použitím vykonajte celkovú kontrolu výrobku. Pozrite si plán údržby.
- Použitie môže byť regulované národnými alebo miestnymi predpismi. Dodržiavajte príslušné predpisy.

Bezpečnosť na pracovisku

- **Udržiavajte pracovisko v čistote a dobre osvetlené.** Neporiadok alebo nedostatočné osvetlenie spôsobujú nehody.
- **Nepoužívajte elektrické nástroje vo výbušnom ovzduší, napríklad v prítomnosti horľavých kvapalín, plynov alebo prachu.** Elektrické nástroje vytvárajú iskry, ktoré môžu vznietiť prach alebo výpary.
- **Pri používaní elektrického nástroja zabráňte deťom a okoloidúcim, aby sa zdržiavali vo vašej blízkosti.** Rušivé podnety môžu spôsobiť stratu kontroly.

Elektrická bezpečnosť

- **Parametre elektrických nástrojov sa musia zhodovať s parametrami napájacej zásuvky. Nikdy a žiadnym spôsobom nemodifikujte elektrickú zástrčku. S uzemnenými elektrickými nástrojmi nepoužívajte žiadne adaptérové zástrčky.** Ak sa zástrčky neupravujú a používajú sa zodpovedajúce zásuvky, zníži sa riziko úrazu elektrickým prúdom.
- **Zabráňte kontaktu tela s uzemnenými povrchmi, ako sú rúry, radiátory, sporáky a chladničky.** Riziko úrazu elektrickým prúdom je vyššie, ak je vaše telo uzemnené.
- **Nevystavujte elektrické nástroje dažďu alebo vlhkým podmienkam.** Voda vnikajúca do elektrického náradia zvyšuje riziko úrazu elektrickým prúdom.
- **Nepoužívajte kábel nesprávnym spôsobom. Nikdy nepoužívajte kábel na nosenie, ťahanie alebo odpájanie elektrického náradia. Chráňte šnúru pred horúčavou, olejom, ostrými hranami alebo pohybujúcimi sa dielcami.** Poškodené alebo zamotané káble zvyšujú riziko úrazu elektrickým prúdom.
- **Pri práci s elektrickým náradím vonku používajte predlžovací kábel vhodný na vonkajšie použitie.** Používanie predlžovacej šnúry určenej do vonkajšieho prostredia znižuje riziko zásahu elektrickým prúdom.
- **Ak je nevyhnutné použiť elektrický nástroj vo vlhkom prostredí, na napájanie nástroja použite vedenie vybavené prúdovým chráničom (RCD).** Použitie prúdového chrániča znižuje riziko úrazu elektrickým prúdom.

Osobná bezpečnosť

- **Buďte pozorní, sledujte, čo robíte, a pri používaní elektrického nástroja postupujte rozumne. Nepoužívajte elektrický nástroj, keď ste unavení alebo pod vplyvom drog, alkoholu alebo liekov.** Chvilka nepozornosti pri používaní elektrických nástrojov môže spôsobiť vážny úraz.

- **Používajte osobné ochranné pomôcky. Vždy noste ochranné prostriedky očí.** Ochranné vybavenie, ako sú napríklad masky proti prachu, bezpečnostné topánky s protišmykovou podrážkou, prilby alebo chrániče sluchu použité vo vhodných prípadoch znižujú počet osobných poranení.
- **Zabráňte neúmyselnému spusteniu zariadenia. Pred pripojením k elektrickej sieti alebo batérii, zdvihnutím alebo prenášaním nástroja overte, či je vypínač vo vypnutej polohe.** Prenášanie elektrických nástrojov s prstom na vypínači alebo pripojenie napájania k nástrojom, ktoré majú vypínač zapnutý, zvyšuje riziko nehôd.
- **Pred zapnutím elektrického nástroja vyberte nastavovací kľúč alebo kľúč na matice.** Kľúč nasadený na otáčajúcu sa časť elektrického nástroja môže spôsobiť úraz.
- **Nenaťahujte sa príliš ďaleko. Vždy si udržiavajte rovnováhu a správny postoj.** To umožňuje lepšie ovládanie elektrického nástroja v neočakávaných situáciách.
- **Vhodne sa oblečte. Nenoste voľné oblečenie alebo šperky. Udržujte svoje vlasy a oblečenie mimo dosahu pohyblivých častí.** Voľné oblečenie, šperky alebo dlhé vlasy sa môžu zachytiť v pohyblivých častiach.
- **Ak je možné pripojiť zariadenia na odsávanie a zber prachu, overte, či sú tieto zariadenia pripojené a či sa správne používajú.** Používanie zberača prachu môže obmedziť nebezpečenstvo týkajúce sa prachu.
- **Nedovoľte, aby vás skúsenosti získané častým používaním nástrojov uspokojili, a ignorovali by ste bezpečnostné pravidlá pri používaní nástroja.** Neopatrné konanie môže v zlomku sekundy spôsobiť vážne poranenie.
- **Emisia vibrácií počas používania elektrického nástroja sa môže líšiť od deklarovanej celkovej hodnoty v závislosti od spôsobu, akým je elektrický nástroj použitý. Operátori sú povinní identifikovať a prijať opatrenia pre zaistenie vlastnej bezpečnosti, ktoré sú založené na odhade podmienok pri danom použití nástroja (prítom je potrebné vziať do úvahy všetky časti prevádzkového cyklu, ako napríklad čas, keď je zariadenie vypnuté, čas, keď je zariadenie v pohotovostnom stave a čas, keď je zariadenie spustené).**

Používanie a starostlivosť o elektrické náradie

- **Nepoužívajte elektrický nástroj násilím. Používajte správny elektrický nástroj na dané použitie.** Správny elektrický nástroj vykoná prácu lepšie a bezpečnejšie pri rýchlosti, na akú je určený.
- **Nepoužívajte elektrický nástroj, ak sa nedá zapnúť a vypnúť vypínačom.** Akýkoľvek elektrický nástroj, ktorý sa nedá ovládať vypínačom, je nebezpečný a musí sa opraviť.
- **Pred akýmkoľvek nastavením, výmenou príslušenstva alebo skladovaním elektrického nástroja odpojte zástrčku od zdroja napájania alebo vyberte akumulátor z elektrického nástroja, ak**

je **vyberateľný**. Takéto preventívne bezpečnostné opatrenia znižujú riziko náhodného spustenia elektrického nástroja.

- **Nepoužívajte elektrické nástroje udržiavajte mimo dosahu detí a nedovoľte osobám, ktoré nepoznajú elektrické nástroje alebo tieto pokyny, aby elektrický nástroj používali.** Elektrické nástroje sú nebezpečné v rukách neskúsených používateľov.
- **Vykonávajte údržbu elektrického náradia a príslušenstva. Skontrolujte vychýlenie alebo ohnutie pohyblivých častí, nalomenie častí alebo akékoľvek iné poškodenie, ktoré môže ovplyvniť prevádzku elektrického nástroja. Ak je elektrický nástroj poškodený, dajte ho pred použitím opraviť.** Mnoho nehôd je spôsobených nedostatočne udržiavanými elektrickými nástrojmi.
- **Rezacie nástroje udržiavajte nabrúsené a v čistote.** Správne udržiavané rezacie nástroje s ostrými hranami sú menej náchylné na ohnutie a ľahšie sa ovládajú.
- **Používajte elektrický nástroj, príslušenstvo a diely nástroja atď. v súlade s týmito pokynmi, pričom vezmite do úvahy pracovné podmienky a typ vykonávanej práce.** Používanie elektrického náradia na iné ako určené účely môže vyvolať nebezpečnú situáciu.
- **Rukoväti a úchytné povrchy udržiavajte suché, čisté a neznečistené olejom a mazivom.** Šmyklavé rukoväti a povrchy na uchopenie neumožňujú bezpečnú manipuláciu a ovládanie nástroja v nečakaných situáciách.

Používanie nástroja napájaného akumulátorom a starostlivosť oň

- **Nabíjajte iba pomocou nabíjačky špecifikovanej výrobcom.** Nabíjačka, ktorá je vhodná pre jeden typ akumulátora, môže pri použití s iným akumulátorom predstavovať nebezpečenstvo požiaru.
- **Výrobok používajte iba s presne určenými akumulátormi.** Pri použití akéhokoľvek iného akumulátora môže hroziť nebezpečenstvo poranenia a požiaru.
- **Keď sa akumulátor nepoužíva, udržiajte ho mimo dosahu kovových predmetov, ako sú spony na papier, mince, kľúče, klince, skrutky alebo iné drobné kovové predmety, ktoré môžu vytvoriť spoj medzi svorkami.** Skratovanie svoriek akumulátora môže spôsobiť popálenie alebo požiar.
- **Pri neopatrnom zaobchádzaní môže z akumulátora uniknúť tekutina. Nedotýkajte sa jej. V prípade náhodného kontaktu umyte postihnuté miesto vodou. Ak sa dostane kvapalina z akumulátora do očí, vyhľadajte aj lekársku pomoc.** Kvapalina vystrekujúca z akumulátora môže spôsobiť podráždenie alebo popálenie.
- **Nepoužívajte poškodený alebo upravený akumulátor alebo nástroj.** Poškodené alebo upravené akumulátory môžu mať za následok nepredvídateľné fungovanie a spôsobiť požiar, výbuch alebo predstavovať nebezpečenstvo poranenia.

- **Akumulátor alebo nástroj nevystavujte ohňu alebo nadmerne vysokým teplotám.** Pri vystavení ohňu alebo teplote nad 130 °C (265°F) môže dôjsť k výbuchu.
- **Dotržiavajte všetky pokyny na nabíjanie a pri nabíjaní nevystavujte akumulátor alebo nástroj teplotám, ktoré sú mimo teplotného rozsahu uvedeného v pokynoch.** Pri nesprávnom nabíjaní alebo pri vonkajších teplotách mimo uvedeného rozsahu hrozí poškodenie akumulátora a zvyšuje sa nebezpečenstvo požiaru.

Servis

- **Elektrické náradie zverte do opravy iba kvalifikovanému odborníkovi a používajte iba originálne náhradné súčiastky.** Tým sa zaistí zachovanie bezpečnosti elektrického nástroja.
- **Poškodené akumulátory nikdy neservisujte sami.** Servis akumulátorov smie vykonávať len výrobca alebo autorizovaný servis.

Vždy sa riadte zdravým rozumom

Nie je možné predvídať každú situáciu, ktorá môže nastať. Vždy konajte opatrne a riadte sa zdravým rozumom. Vyvarujte sa každej situácie, ktorá podľa vás presahuje vaše možnosti. Ak si ani po prečítaní týchto pokynov nie ste istý, ako so strojom zaobchádzať, obráťte sa na odborníka.



VÝSTRAHA: Nikdy nedovoľte deťom používať stroj alebo sa zdržiavať v jeho blízkosti. Keďže stroj sa ľahko štartuje, deti môžu byť schopné naštartovať ho, pokiaľ nie sú pod neustálym dohľadom. To môže znamenať riziko vážneho poranenia. Preto odpojte batériu, keď stroj nie je pod dohľadom.

Všeobecné bezpečnostné pokyny



VÝSTRAHA: Skôr než budete výrobok používať, prečítajte si nasledujúce výstrahy.

- Batériu vyberte, aby nedošlo k náhodnému zapnutiu výrobku.
- Tento výrobok môže byť nebezpečný, ak nie ste opatrní alebo ho používate nesprávne. Tento výrobok môže spôsobiť vážne poranenie alebo usmrtenie obsluhujúceho pracovníka alebo iných osôb.
- Výrobok nepoužívajte, ak sa zmenili jeho pôvodné technické špecifikácie. Nevymieňajte diely výrobku bez schválenia výrobcu. Používajte len diely schválené výrobcom. Nesprávna údržba môže mať za následok poranenie alebo smrť.
- Pred používaním výrobku skontrolujte. Pozrite si časť *Skontrolujte pred naštartovaním na strane 410* a *Pred obsluhou zariadenia na strane 417*.

Nepoužívajte výrobok, ktorý je poškodený alebo nefunguje správne. Vykonávajte bezpečnostné kontroly, údržby a dodržiavajte servisné pokyny uvedené v tomto návode.

- Deti musia byť pod dohľadom, aby sa zabezpečilo, že sa s výrobkom nehrajú. Nikdy nedovoľte deťom a iným osobám, ktoré nie sú vyškolené v používaní výrobku a/alebo batérie, používať alebo opravovať výrobok alebo batériu. Vek operátora môžu stanovovať miestne zákony.
- Výrobok skladujte v uzamknutom priestore mimo dosahu detí a neoprávnených osôb.
- Výrobok skladujte mimo dosahu detí.
- Za žiadnych okolností nemeňte pôvodnú konštrukciu výrobku bez schválenia od výrobcu. Vždy používajte originálne príslušenstvo. Nepovolené zmeny alebo príslušenstvo môžu viesť k vážnemu poraneniu alebo smrti obsluhy a ostatných osôb.

Poznámka: Používanie môže byť regulované vnútroštátnymi alebo miestnymi právnymi predpismi. Dodržiavajte príslušné predpisy.

Bezpečnostné pokyny pre prevádzku



VÝSTRAHA: Skôr než budete výrobok používať, prečítajte si nasledujúce výstrahy.

- **Zariadenie nepoužívajte počas nepriaznivých poveternostných podmienok, najmä ak hrozí riziko bleskov.** Zníži sa tým riziko zasiahnutia bleskom.
- **Skontrolujte, či sa v priestore, kde sa má zariadenie používať, nenachádzajú voľne žijúce živočíchy.** Počas prevádzky zariadenia môže dôjsť k zraneniu voľne žijúcich živočíchov.
- **Pozorne skontrolujte priestor, v ktorom sa bude zariadenie používať, a odstráňte všetky kamene, káble, kosti a iné cudzie predmety.** Vymršťované predmety môžu spôsobiť poranenie osôb.
- **Pred používaním zariadenia vždy vizuálne skontrolujte, či nie sú nôž a zostava noža poškodené.** Poškodené diely zvyšujú riziko poranenia.
- **Neodstraňujte ochranné kryty. Ochranné kryty musia byť v dobrom prevádzkovom stave a správne osadené.** Uvoľnený, poškodený alebo nesprávne fungujúci ochranný kryt môže viesť k zraneniu osôb.
- **Všetky vstupné otvory chladiaceho vzduchu udržiavajte čisté od zvyškov.** Upchaté vstupné otvory vzduchu a zvyšky môžu viesť k prehriatiu alebo riziku požiaru.
- **Noste ochranné prostriedky očí a sluchu.** Používaním náležitých ochranných prostriedkov sa zníži riziko zranenia.
- **Počas používania zariadenia vždy noste protišmykovú a ochrannú obuv. Ak ste bosí alebo máte obuté otvorené sandále, toto zariadenie**

nepoužívajte. Zníži sa tým riziko poranenia chodidlom kontaktom s pohybujúcim sa nožom.

- **Počas používania zariadenia vždy noste odev, ktorý vám zakrýva nohy, ako sú nohavice.** Kontakt s pohybujúcim sa nožom alebo lankom môže spôsobiť zranenie.
- **Počas používania zariadenia nedovoľte okolostojacim približovať sa.** Vymršťované úlomky môžu mať za následok vážne zranenie.
- **Zariadenie nepoužívajte nad výškou pásu.** Pomôže to zabrániť neúmyselnému kontaktu noža a umožňuje to lepšiu kontrolu nad zariadením v neočakávaných situáciách.
- **Pri používaní zariadenia v mokrej tráve buďte opatrný. Pri práci so zariadením kráčajte, nebežte.** Znižuje sa tým riziko pošmyknutia, spadnutia a následného zranenia.
- **Zariadenie nepoužívajte na nadmeme strmých svahoch.** Znižuje sa tým riziko straty kontroly, pošmyknutia, spadnutia a následného zranenia.
- **Pri práci na svahoch vždy dbajte na to, aby ste mali pevné postavenie, vždy pracujte naprieč svahom, nikdy smerom nahor alebo nadol a buďte mimoriadne opatrní pri zmene smeru.** Znižuje sa tým riziko straty kontroly, pošmyknutia, spadnutia a následného zranenia.
- **Všetky napájacie káble a ostatné káble udržiavajte mimo oblastí rezania.** Napájacie káble alebo iné káble môžu byť skryté v živých plotoch alebo kríkoch a lanko alebo nôž ich môže náhodne preseknúť.
- **Všetky časti tela udržiavajte mimo dosahu pohybujúceho sa noža alebo lanka vyžičača. Neodstraňujte zo zariadenia materiál, kým nie je odpojené od napájania.** Pohybujúci sa nôž alebo lanko vyžičača môže spôsobiť vážne zranenie.
- **Zariadenie prenášajte vypnuté a mimo tela.** Správnu manipuláciu so zariadením sa zníži pravdepodobnosť náhodného kontaktu s pohybujúcim sa nožom alebo lankom vyžičača.
- **Používajte len náhradné rezné hlavy a nože alebo lanká vyžičača stanovené výrobcom. Nože alebo lanká vyžičača nenahrádzajte kovovými drôtni alebo čepeľami.** Nesprávne náhradné diely môžu spôsobiť stratu kontroly, poškodenie a poranenie.

Osobné ochranné prostriedky



VÝSTRAHA: Skôr než budete výrobok používať, prečítajte si nasledujúce výstrahy.

- Pri používaní produktu vždy používajte schválené osobné ochranné prostriedky. Osobné ochranné prostriedky nedokážu úplne vylúčiť riziko, ale môžu znížiť vážnosť zranenia v prípade nehody. Váš predajca vám pomôže pri výbere správnych prostriedkov.
- Používajte schválené chrániče sluchu.

(Obr. 21)

- Používajte schválené chrániče očí. Ak používate štít, musíte tiež používať schválené ochranné okuliare. Schválené ochranné okuliare musia zodpovedať norme ANSI Z87.1 platnej v USA alebo norme EN 166 platnej v krajinách EÚ.

(Obr. 22)

- Keď je to potrebné, používajte rukavice, ako napríklad pri montáži, kontrole alebo čistení rezného zariadenia.

(Obr. 23)

- Používajte ochrannú obuv s oceľovou špičkou a protišmykovými podrážkami.

(Obr. 24)

- Používajte odev vyrobený z pevnej tkaniny. Vždy noste pevné, dlhé nohavice a dlhé rukávy. Nepoužívajte voľný odev, ktorý sa môže zachytiť v konároch a vetvách. Nepoužívajte šperky, krátke nohavice ani sandále. Nechodte bosí. Vlasy si bezpečne uchyťte nad úrovňou ramien.
- Majte poruke vybavenie prvej pomoci.

(Obr. 25)

Bezpečnostné zariadenia na výrobku



VÝSTRAHA: Skôr než budete výrobok používať, prečítajte si nasledujúce výstrahy.

V tejto časti je opísané bezpečnostné vybavenie výrobku, jeho účel a postup, ako vykonávať kontroly a údržbu, aby bola zabezpečená jeho správna činnosť. Pozrite si pokyny v časti *Úvod na strane 408* kde nájdete informácie o umiestnení týchto častí na výrobku.

Ak údržba výrobku nebude vykonávaná správne, skráti sa tým jeho životnosť a zvýši sa riziko nehodovosti. Servis a/alebo opravy musia byť vykonané odborné. Ak potrebujete podrobnejšie informácie, obráťte sa na najbližší servis.



VÝSTRAHA: Nikdy nepoužívajte výrobok, ktorý má chybné bezpečnostné prvky. Bezpečnostné vybavenie výrobku sa musí kontrolovať a udržiavať tak, ako je to opísané v tejto časti. Ak výrobok neprejde niektorou z kontrol, obráťte sa na servisného zástupcu na účel opravy.



VAROVANIE: Všetky servisné a opravné práce na stroji si vyžadujú špeciálne školenie. Toto najmä platí o bezpečnostnom vybavení výrobku. Ak stroj neprejde niektorou z kontrol popísaných nižšie, doneste ho do servisnej dielne. Pri kúpe ktoréhokoľvek z našich výrobkov vám zaručujeme dostupnosť odborných opráv a servis. Ak maloobchodný predajca, ktorý vám predáva stroj nie je servisný zástupca,

požiadajte ho o adresu najbližšej servisnej dielne.

Kontrola používateľského rozhrania

Zelené indikátory LED (A) zobrazujú stav batérie, keď je výrobok zapnutý, ale nie je v prevádzke.

1. Stlačte a podržte vypínač (B). (Obr. 26)
 - a) Výrobok je zapnutý, keď svieti zelený indikátor LED (A).
 - b) Výrobok je vypnutý, keď nesvieti zelený indikátor LED (A).
2. V časti *Riešenie problémov na strane 421* ak sa rozsvieti alebo bliká výstražný indikátor (C).

Kontrola poistky páčky vypínača

Poistka páčky vypínača zabraňuje náhodnému spusteniu. Po stlačení poistky páčky vypínača (A) sa uvoľní páčka vypínača (B). Keď uvoľníte rukoväť, páčka vypínača aj poistka páčky vypínača sa vrátia späť do svojej východiskovej polohy. (Obr. 27)

1. Ubezpečte sa, či je páčka vypínača zaistená, keď je poistka páčky vypínača vo svojej východiskovej polohe.

(Obr. 28)

2. Stlačte páčku vypínača a uistite sa, či sa po uvoľnení vráti do pôvodnej polohy.

(Obr. 29)

3. Dbajte na to, aby sa páčka vypínača a poistka páčky vypínača pohybovala voľne a aby spätná pružina správne fungovala.

(Obr. 30)

4. Zapnite výrobok. V časti *Zapnutie výrobku na strane 419*.

5. Uvoľníte páčku vypínača a skontrolujte, či sa rezací nadstavec úplne zastavil.

Kontrola krytu rezacieho nadstavca



VÝSTRAHA: Nepoužívajte rezací nadstavec bez schváleného a správne nasadeného krytu rezacieho nadstavca. Vždy používajte odporúčaný ochranný kryt zodpovedajúci používanému rezaciemu nadstavcu, pozrite si časť *Technické údaje na strane 422*. Použitie nesprávneho alebo poškodeného krytu rezacieho nadstavca by mohlo zapríčiniť osobné poranenie.

Kryt rezacieho nadstavca slúži na zastavenie predmetov vymrštených smerom k obsluhu. Kryt rezacieho nadstavca tiež zamedzuje vzniku zranení spôsobených dotykom s rezacím nadstavcom.

1. Vypnite motor.
2. Pohľadom skontrolujte prítomnosť prípadných poškodení, napríklad prasklín.
3. Ak je kryt rezacieho nadstavca poškodený, vymeňte ho.

Rezné zariadenie

Vyberte správne rezné zariadenie a vykonajte údržbu rezného zariadenia s cieľom:

- získať maximálny výkon rezania,
- zvýšiť životnosť rezného zariadenia.



VÝSTRAHA: Používajte len rezacie nástavce s odporúčanými ochrannými prvkami! Pozrite si časť *Technické údaje na strane 422*. Vyhľadajte si pokyny týkajúce sa rezacích nadstavcov, aby ste našli správne uchytenie žacieho lanka a zvolili správny priemer žacieho lanka.



VÝSTRAHA: Poškodené rezacie nástroje môžu zvýšiť riziko nehôd.

Vyžínacia hlava



VÝSTRAHA: Vždy zaistite, aby bolo žacie lanko v cievke navinuté tesne a rovnomerne, aby sa zabránilo nebezpečným vibráciám.

(Obr. 31)

- Používajte iba odporúčané vyžínacie hlavy a žacie lanká.
- Používajte iba odporúčané rezacie nadstavce.
- Menšie stroje vyžadujú menšie vyžínacie hlavy a naopak.
- Dĺžka žacieho lanka je dôležitá. Dlhšie žacie lanko si vyžaduje silnejší stroj než kratšie lanko s rovnakým priemerom.
- Uistite sa, či je rezací zub na kryte vyžínacej hlavy nepoškodený. Tento zub presne odrezáva žacie lanko na potrebnú dĺžku.
- Ak chcete predĺžiť životnosť žacieho lanka, pred použitím ho namočte na pár dní do vody.

Bezpečnosť batérie



VÝSTRAHA: Prečítajte si všetky bezpečnostné a všeobecné pokyny. Nedodržanie bezpečnostných a všeobecných pokynov môže spôsobiť

úraz elektrickým prúdom, požiar alebo vážne zranenie. **Ušchovajte si všetky bezpečnostné informácie a všeobecné pokyny pre budúce použitie.**

- **Tieto bezpečnostné pokyny platia len pre 18 V lítiové nabíjateľné batérie pre systém POWER FOR ALL.**
- **Nabíjateľné batérie používajte len vo výrobkoch od partnerov systému POWER FOR ALL.** 18 V nabíjateľné označené štítkom POWER FOR ALL sú úplne kompatibilné s nasledujúcimi výrobkami:
 - všetkými výrobkami systému 18 V batérií POWER FOR ALL,
 - všetkými 18 V výrobkami od partnerov systému POWER FOR ALL.
- **Dodržujte odporúčania týkajúce sa batérie v návode na obsluhu výrobku.** Len tak možno nabíjateľnú batériu a výrobok používať bez nebezpečenstva a nabíjateľné batérie chrániť pred nebezpečným preťažením.
- **Batérie nabíjajte iba pomocou nabíjačiek odporúčaných výrobcom alebo partnermi systému POWER FOR ALL.** Nabíjačka, ktorá je vhodná pre jeden typ batérie, môže predstavovať riziko požiaru, ak sa používa s inou batériou.
- **Akumulátor sa dodáva čiastočne nabitý.** Aby ste zaistili plnú kapacitu akumulátora, pred prvým použitím elektrického náradia akumulátor úplne nabite v nabíjačke.
- **Akumulátor uchovávajte mimo dosahu detí.**
- **Akumulátor neotvárajte.** Hrozí nebezpečenstvo skratu.
- **V prípade poškodenia a nesprávneho používania akumulátora sa môžu uvoľňovať výpary.** Batéria sa môže vznietiť alebo vybuchnúť. Zabezpečte dobré vetranie priestoru a v prípade akýchkoľvek nežiaducich účinkov vyhľadajte lekársku pomoc. Výpary môžu dráždiť dýchací systém.
- **Pri nesprávnom používaní alebo pri poškodení akumulátora z neho môže vystreknúť horľavá kvapalina.** Zabráňte kontaktu s touto kvapalinou. V prípade náhodného kontaktu umyte postihnuté miesto vodou. Ak sa kvapalina dostane do kontaktu s očami, vyhľadajte ďalšiu lekársku pomoc. Kvapalina vytekajúca z akumulátora môže spôsobiť podráždenie alebo popáleniny.
- **Ak je akumulátor poškodený, kvapalina môže uniknúť a dostať sa na okolité povrchy.** Skontrolujte zasiahnuté časti. Vyčistite tieto časti alebo ich v prípade potreby vymeňte.
- **Akumulátor neskratujte.** Keď sa akumulátor nepoužíva, udržiajte ho mimo dosahu kovových predmetov, ako sú spony na papier, mince, kľúče, klince, skrutky alebo iné drobné kovové predmety, ktoré môžu vytvoriť spoj medzi svorkami. Skratovanie svoriek akumulátora môže spôsobiť popáleniny alebo požiar.
- **Akumulátor môžu poškodiť špicaté predmety, ako sú klince alebo skrutkovače, alebo sila**

pôsobiaca zvonka. Môže dôjsť k vnútornému skratu, ktorý spôsobí vznietenie, dymenie, výbuch alebo prehriatie akumulátora.

- **Poškodené akumulátory nikdy neservisujte sami.** Servis akumulátora smie vykonávať len výrobca alebo autorizovaný servis.
- **Chráňte akumulátor pred teplom, napr. pred dlhodobým intenzívnym sinečným žiarením, ohňom, nečistotami, vodou a vlhkosťou.** Hrozí nebezpečenstvo výbuchu a skratu.
- **Batériu vo výrobku používajte iba vtedy, keď je teplota okolitého prostredia v rozsahu -5 °C — 40 °C.**
- **Batériu skladujte len v prostredí s teplotou medzi -20 °C — 50 °C.** V lete batériu napríklad neponechávajte v automobile. Pri teplotách <0 °C môže u niektorých zariadení dôjsť k strate napájania.
- **Akumulátor nabíjajte len pri teplote okolitého prostredia medzi 0 °C — 35 °C.** Nabíjanie mimo tohto teplotného rozsahu môže zvýšiť riziko poškodenia akumulátora a predstavovať riziko požiaru.

Bezpečnosť nabíjačky batérií



VÝSTRAHA: Prečítajte si všetky bezpečnostné a všeobecné pokyny. Nedodržanie bezpečnostných a všeobecných pokynov môže spôsobiť úraz elektrickým prúdom, požiar alebo vážne zranenie. **Tieto pokyny uchovávajte na bezpečnom mieste.** Nabíjačku používajte len vtedy, ak dokážete plne posúdiť všetky funkcie a vykonávať ich bez obmedzení, alebo ak ste dostali príslušné pokyny.

- **Nenechávajte deti osamote, keď nabíjačku používate, čistíte alebo na nej vykonávate údržbu.** Zabezpečte tak, že sa deti nebudú s nabíjačkou hrať.
- **Nabíjajte iba lítium-iónové akumulátory systému POWER FOR ALL 18 V s kapacitou 1,5 Ah alebo viac (5 článkov batérie a viac).** Napätie akumulátora sa musí zhodovať s napäťacím napätím nabíjačky vo batérie. **Nenabíjajte žiadne nenabíjateľné batérie.** V opačnom prípade hrozí nebezpečenstvo požiaru a výbuchu.
- **Nabíjačku nevystavujte pôsobeniu dažďa alebo vlhkosti.** Ak sa do elektrického nástroja dostane voda, zvyšuje sa nebezpečenstvo úrazu elektrickým prúdom.
- **Nabíjačku udržiavajte čistú.** Nečistoty predstavujú riziko úrazu elektrickým prúdom.
- **Pred použitím vždy skontrolujte nabíjačku, kábel a zástrčku.** Ak zistíte akékoľvek poškodenie, prestaňte nabíjačku používať. Nabíjačku svojpomocne neotvárajte a dajte ju opraviť iba kvalifikovanému odborníkovi s použitím iba originálnych náhradných dielov. Poškodené nabíjačky, káble a zástrčky zvyšujú riziko úrazu elektrickým prúdom.

- **Nabíjačku nepoužívajte na ľahko zápalnom povrchu (napr. papier, textilie atď.) alebo v horľavom prostredí.** Hrozí nebezpečenstvo požiaru v dôsledku zahrievania nabíjačky počas prevádzky.
- **Nabíjajte iba pomocou nabíjačky špecifikovanej výrobcom.** Nabíjačka, ktorá je vhodná pre jeden typ akumulátora, môže pri použití s iným akumulátorom predstavovať nebezpečenstvo požiaru.
- **V prípade poškodenia a nesprávneho používania akumulátora sa tiež môžu uvoľňovať výpary.** Zabezpečte dobré vetranie priestoru a v prípade akýchkoľvek nežiaducich účinkov vyhľadajte lekársku pomoc. Výpary môžu dráždiť dýchací systém.
- **Pri nevhodnom používaní môže z akumulátora vyprsknúť kvapalina. Zabráňte kontaktu s touto kvapalinou.** V prípade náhodného kontaktu umyte postihnuté miesto vodou. Ak sa kvapalina dostane do kontaktu s očami, vyhľadajte ďalšiu lekársku pomoc. Kvapalina vytekajúca z akumulátora môže spôsobiť podráždenie alebo popálenie.
- **Nezakrývajte vetracie otvory nabíjačky.** V opačnom prípade sa môže nabíjačka prehriať a prestať správne fungovať.
- **Aby sa predišlo bezpečnostným rizikám, ak je potrebné vymeniť napájací kábel, musí to vykonať spoločnosť Husqvarna alebo zákaznícke servisné stredisko, ktoré je autorizované na opravu elektrického náradia Husqvarna.**
- **Výrobky predávané len vo Veľkej Británii:** Váš výrobok je vybavený schválenou elektrickou zástrčkou podľa normy BS 1363/A s vnútornou poistkou (schválenie ASTA podľa normy BS 1362). Ak zástrčka nie je vhodná pre vašu zásuvku, mal by ju odrezat' autorizovaný zástupca zákazníckeho servisu a na jej miesto nasadiť vhodnú zástrčku. Náhradná zástrčka by mala mať rovnakú klasifikáciu poistky ako pôvodná zástrčka. Odrezaná zástrčka sa musí zlikvidovať, aby sa predišlo možnému nebezpečenstvu úrazu elektrickým prúdom, a nikdy by sa nemala zasúvať do sieťovej zásuvky na inom mieste.



VÝSTRAHA: Riziko zástavy srdcovej činnosti! Tento výrobok vytvára počas prevádzky elektromagnetické pole. Toto pole môže za určitých okolností spôsobiť rušenie aktívnych alebo pasívnych implantovaných lekárskeho prístrojov. Zníženie rizika podmienok, ktoré môžu viesť k vážnemu alebo aj smrteľnému poraneniu, si vyžaduje, aby sa osoby s implantovanými pomôckami poradili so svojím lekárom a výrobcom pomôcky ešte pred použitím tohto výrobku.



VÝSTRAHA: Riziko udusení! Malé časti sa dajú ľahko prehltnúť. Tiež existuje riziko udusení batoliat plastovým vreckom.

Výrobok počas montáže chráňte pred batolatami.

Bezpečnostné pokyny pre údržbu



VÝSTRAHA: Skôr než začnete s údržbou výrobku, prečítajte si nasledujúce výstrahy.

- Pred vykonávaním údržby, inými kontrolami alebo zmontovaním produktu vyberte batériu.
- Obsluha je povinná vykonávať iba údržbu a servisné úkony uvedené v tomto návode na obsluhu.
- O vykonanie rozsiahlejšej údržby alebo servisu požiadajte svojho servisného zástupcu.

- Batériu ani nabíjačku batérií nečistite vodou. Silné čistiace prostriedky môžu spôsobiť poškodenie plastov.
- V prípade zanedbania údržby sa skracuje životnosť výrobku a zvyšuje sa riziko vzniku nehôd.
- Na vykonávanie všetkých servisných a opravných úkonov, najmä na bezpečnostných zariadeniach na výrobku, je potrebné špeciálne odborné vzdelanie. Ak po vykonaní údržby nie je možné úspešne vykonať všetky kontroly v tomto návode na obsluhu, požiadajte o pomoc servisného predajcu. Zaručujeme, pre tento výrobok sú k dispozícii profesionálne opravné a servisné služby.
- Používajte iba originálne náhradné diely.

Montáž

Úvod



VÝSTRAHA: Pred montážou výrobku si prečítajte kapitolu o bezpečnosti a uistite sa, že rozumiete informáciám, ktoré sa v nej uvádzajú.

Montáž krytu výžinacej hlavy

1. Priložte kryt výžinača ku krytu motora. (Obr. 32)
2. Prestrčte 2 skrutky cez kryt motora a kryt výžinača. (Obr. 33)
3. Uťahnite skrutky.

Montáž výžinacej hlavy

1. Otáčajte výstupný hriadeľ, kým sa otvor na hnacom disku nezarovná s otvorom na skríni prevodovky.
2. Nainštalujte kombinovaný nástroj do otvoru na zaistenie hriadeľa.
3. Otočte výžinaciu hlavu v smere hodinových ručičiek. (Obr. 34)

Montáž ochranného krytu rastlín

1. Namontujte ochranný kryt rastlín do otvorov na kryte motora. (Obr. 35)

2. Skontrolujte, či sa ochranný kryt rastlín môže voľne pohybovať dopredu a dozadu. (Obr. 36)

Montáž háku na stenu

- Hák nainštalujte vo vnútri.
- Hák uchovávajte mimo slnečného žiarenia a pri okolitej teplote prostredia od -10 °C do 70 °C.
- Hák inštalujte na sadrokartón, drevenú alebo betónovú stenu.



VAROVANIE: Uistite sa, že stena udrží záťaž s hmotnosťou minimálne 30 kg.

- Namontujte hák na stenu pomocou 3 skrutiek (A). V prípade potreby použite hmoždinky (B). (Obr. 37)



VAROVANIE: Uistite sa, že skrutky sú vhodné na použitie pre váš typ steny.

- Informácie o dostupnom príslušenstve na skladovanie výrobku získate od servisného zástupcu spoločnosti Husqvarna.

Prevádzka

Úvod



VÝSTRAHA: Pred používaním výrobku si prečítajte kapitolu o bezpečnosti a uistite sa, že rozumiete informáciám, ktoré sa v nej uvádzajú.

Pred obsluhou zariadenia

- Preskúmajte pracovnú oblasť, aby ste spoznali typ terénu. Skontrolujte sklon terénu a to, či sa v okolí nenachádzajú prekážky (napríklad skaly, konáre a jamy).
- Vykonajte celkovú kontrolu výrobku.
- Vykonajte bezpečnostné opatrenia, údržbu a servis uvedené v tomto návode.

- Skontrolujte, či motor nie je znečistený alebo prasknutý. Pomocou kefy očistite motor od trávy a lístia. V prípade potreby používajte ochranné rukavice.
- Skontrolujte, či sa na vyžínacej hlave alebo rezacom nastavci nenachádzajú známky poškodenia alebo praskliny. Ak sú vyžínacia hlava alebo rezací nastavac narazené alebo prasknuté, vymeňte ich.
- Skontrolujte, či sú všetky matice a skrutky dotiahnuté.
- Pred spustením výrobku skontrolujte, či sú všetky kryty, ochranné prvky, rukoväta a rezné zariadenia správne nasadené a nie sú poškodené.

Batéria



VÝSTRAHA: Pred použitím batérie si musíte prečítať kapitolu o bezpečnosti a porozumieť informáciám, ktoré sa v nej uvádzajú. Okrem toho si musíte prečítať návod na obsluhu batérie a nabíjačky batérií a porozumieť jeho obsahu.

Batériu a nabíjačku udržiavajte pri správnej teplote okolia.

	Teplota okolitého prostredia
Prevádzka batérie vo výrobku	-5 °C — 40 °C
Nabíjanie batérie	0 °C — 35 °C

Nabíjanie batérie

Batériu nabíjate pred prvým použitím.

Poznámka: Batéria sa nenabíja, ak je jej teplota vyššia než +35 °C.

1. Napájací kábel nabíjačky batérií pripojte do uzemnenej siete.



VAROVANIE: Uistite sa, že sieť má správne napätie a frekvenciu.

2. Vložte batériu do nabíjačky batérií. Batéria je pripojená k nabíjačke batérií, keď bliká zelený indikátor LED. (Obr. 38)
3. Batéria je plne nabitá, keď svieti zelený indikátor LED na nabíjačke. Batériu nabíjajte maximálne 24 hodín.
4. Odpojte nabíjačku batérie zo zásuvky.



VAROVANIE: Neťahajte za napájací kábel.

5. Vyberte batériu z nabíjačky batérií.

Indikátor LED stavu batérie na nabíjačke batérií

Červený indikátor LED (A) a zelený indikátor LED (B) na nabíjačke batérie zobrazujú stav batérie. V časti *Indikátor LED stavu batérie na výrobku na strane 418*.

(Obr. 39)

Indikátor LED	Stav batérie
Rýchlo blikajúci zelený indikátor LED.	Batéria sa nabíja.
Pomaly blikajúci zelený indikátor LED.	Batéria je nabitá na 80 %.
Svieti zelený indikátor LED.	Batéria je úplne nabitá.
Svieti červený indikátor LED.	V časti <i>Indikátor LED stavu batérie na výrobku na strane 418</i> .
Rýchlo blikajúci červený indikátor LED.	V časti <i>Indikátor LED stavu batérie na výrobku na strane 418</i> .

Indikátor LED stavu batérie na výrobku

Keď je akumulátor nainštalovaný vo výrobku, indikatory LED na výrobku zobrazujú stav batérie.

(Obr. 40)

Indikátor LED	Stav batérie
Svieti indikátor LED 1, 2 a 3.	Úplne nabitá.
Svieti indikátor LED 1 a 2.	Dostatočne nabitá
Svieti indikátor LED 1.	Kapacita batérie je nízka.
Bliká indikátor LED 1.	Batéria je vybitá. Indikátor stavu batérie bliká. Nabíjate batériu. V časti <i>Nabíjanie batérie na strane 418</i> .

Pripojenie batérie k výrobku



VÝSTRAHA: Batériu používajte iba s výrobkami systému POWER FOR ALL 18 V.

1. Uistite sa, že je batéria plne nabitá.

2. Zasuňte batériu do držiaku na batériu na výrobku. Batéria sa musí dať ľahko zasunúť do držiaka, v opačnom prípade nie je nainštalovaná správne.

(Obr. 41)

3. Akumulátor sa zaistí na mieste, keď sa ozve cvaknutie.

Zapnutie výrobku

1. Stlačte a podržte vypínač, kým sa nerozsvieti zelený indikátor LED. (Obr. 42)
2. Stlačte poistku páčky vypínača a páčku vypínača. Rezné zariadenie sa začne otáčať.

Nastavenie oblúčkovej rukoväte a teleskopického hriadeľa

1. Stlačte tlačidlo na nastavenie oblúčkovej rukoväte.

(Obr. 43)

2. Nastavte oblúčkovú rukoväť do správneho uhla.
3. Uvoľnite tlačidlo na nastavenie oblúčkovej rukoväte.
4. Povoľte páku na hriadeľ. (Obr. 44)
5. Nastavte potrebnú dĺžku hriadeľa.
6. Zaisťte páku a utiahnite skrutku.

Poznámka: Dve polohy rukoväte na nasledujúcom obrázku slúžia len na prepravu a/alebo skladovanie.

(Obr. 45)

Funkcia automatického vypnutia

Výrobok disponuje funkciou automatického vypnutia, ktorá výrobok vypne, ak sa nepoužíva. Výrobok sa po 3 minútach vypne.

Prevádzka produktu

Vyžínanie trávy

1. Vyžínaciu hlavu držte okamžite nad zemou a v uhle. Netlačte lanko vyžínača na trávnik. (Obr. 46)
2. Skráťte dĺžku lanka vyžínača o 8 – 10 cm.

Odstránenie trávy

1. Vyžínaciu hlavu udržiavajte nad zemou.
2. Nakloňte vyžínaciu hlavu.
3. Vyžínacím lankom obkoste predmety v pracovnej oblasti.



VAROVANIE: Koste trávu. Ak vyžínacie lanko naráža do iných predmetov, zvyšuje sa jeho opotrebovanie.

Kosenie trávnik

1. Pri kosení trávnik sa uistite, že je lanko vyžínača rovnobežne so zemou. (Obr. 47)
2. Netlačte vyžínaciu hlavu k zemi. Mohlo by to viesť k poškodeniu výrobku.
3. Pri kosení trávnik posúvajte výrobok zo strany na stranu. (Obr. 48)

Odpratávanie trávy

Prúd vzduchu z rotujúceho žacieho lanka je možné použiť na odpratávanie trávy z požadovanej plochy.

1. Podržte vyžínaciu hlavu a žacie lanko vodorovne nad zemou.
2. Pohybom vyžínacej hlavy zo strany do strany môžete trávu odfukovať.



VÝSTRAHA: Pri každom založení nového žacieho lanka očistite kryt vyžínacej hlavy, aby ste zamedzili narušeniu rovnováhy a vibrovaniu rukovätí. Taktiež skontrolujte ostatné časti vyžínacej hlavy a v prípade potreby ich očistite.

Zastavenie výrobku

1. Uvoľnite páčku vypínača a poistku páčky vypínača.
2. Stlačte vypínač, kým zelený indikátor LED nezhasne.
3. Stlačte tlačidlo uvoľnenia na batérii a odstráňte batériu z výrobku. (Obr. 49)

Výmena žacieho lanka

Pozrite si poslednú stranu tohto návodu na obsluhu.

Údržba

Úvod



VÝSTRAHA: Pred údržbou výrobku si prečítajte kapitolu o bezpečnosti a uistite sa, že rozumiete informáciám, ktoré sú v nej uvedené.



VÝSTRAHA: Pred vykonaním údržby vyberte batériu.

Nasleduje zoznam postupov údržby, ktoré na výrobku musíte vykonávať. Viac informácií nájdete v časti *Údržba na strane 419*.

Údržba	Denne	Týžd- enne	Mesačne
Očistíte externé súčasti výrobku suchou handričkou. Nepoužívajte vodu.	X		
Skontrolujte funkčnosť a stav tlačidla štartovania a zastavenia.	X		
Skontrolujte, či páčka vypínača a zaistenie páčky vypínača fungujú správne z bezpečnostného hľadiska.	X		
Skontrolujte, či všetky ovládače fungujú a nie sú poškodené.	X		
Rukoväte udržiavajte suché, čisté a neznečistené olejom a mazivom.	X		
Zaistite, aby bol rezací nadstavec nepoškodený. Ak je rezací nadstavec poškodený, vymeňte ho.	X		
Skontrolujte, či ochranný kryt rezacieho nadstavca nie je poškodený. Ak je kryt rezacieho nadstavca poškodený, vymeňte ho.	X		
Skontrolujte, či sú matice a skrutky dotiahnuté.	X		
Skontrolujte, či uvoľňovacie tlačidlá na batérii fungujú správne a riadne zaistia batériu vo výrobku.	X		
Skontrolujte, či nabíjačka batérie nie je poškodená a funguje správne.	X		
Skontrolujte, či batéria nie je poškodená.	X		
Uistite sa, že je batéria nabitá.	X		
Skontrolujte, či nabíjačka batérie nie je poškodená.	X		
Skontrolujte všetky káble, spojky a konektory. Zaistite, aby boli nepoškodené a čisté.		X	
Skontrolujte prepojenia medzi batériou a výrobkom. Skontrolujte aj prepojenie medzi batériou a nabíjačkou batérie.			X

Kontrola batérie a nabíjačky batérií

1. Skontrolujte, či nie je batéria poškodená, napríklad prasknutá.
2. Skontrolujte, či nie je nabíjačka batérií poškodená, napríklad prasknutá.
3. Skontrolujte, či pripájací kábel nabíjačky batérie nie je poškodený a či na ňom nie sú praskliny.

Čistenie výrobku, batérie a nabíjačky batérií

1. Výrobok po použití očistite suchou handričkou.
2. Očistite batériu a nabíjačku batérií čistou handričkou. Vodiace dráhy batérie udržiajte čisté.
3. Než vložíte batériu do nabíjačky alebo výrobku, skontrolujte, či sú koncovky na batérii a nabíjačke batérií čisté.

Kontrola a výmena vyžínacej hlavy

1. Skontrolujte, či sa na vyžínacej hlave nenachádzajú známky poškodenia alebo praskliny.
2. Otáčajte výstupný hriadeľ, kým sa otvor na hnacom disku nezarovná s otvorom na skrini prevodovky.
3. Nainštalujte kombinovaný nástroj do otvoru na zaistenie hriadeľa.
4. Otočte vyžínaciu hlavu proti smeru hodinových ručičiek.

(Obr. 50)

5. Vymeňte vyžínaciu hlavu.
6. Namontujte vyžínaciu hlavu. V časti *Montáž vyžínacej hlavy na strane 417*.

Riešenie problémov

Používateľské rozhranie

Problém	Možné poruchy	Možné riešenie
Začne blikať zelený indikátor LED.	Nízke napätie batérie.	Nabite batériu.
Bliká červená chybová dióda LED.	Pret'aženie.	Rezací nadstavec sa voľne nepohybuje. Uvoľnite rezací nadstavec.
	Teplotná odchýlka.	Nechajte výrobok vychladnúť.
	Páčka vypínača a štartovacie tlačidlo sú stlačené súčasne.	Uvoľnite páčku vypínača a stlačte štartovacie tlačidlo.
Striedavo bliká zelený a červený indikátor LED.	Batéria je vybitá.	Nabite batériu.
	Batéria je poškodená.	Obráťte sa na servisného predajcu.

Nabíjačka batérie

Indikátor LED na nabíjačke batérií	Príčina	Riešenie
Zelený indikátor LED svieti a červený indikátor LED bliká.	Batéria nie je správne vložená do nabíjačky batérie.	Vyberte batériu z nabíjačky a znova ju vložte do nabíjačky.
	Konektory batérie sú znečistené.	Vyčistite konektory batérie.
	Teplota prostredia je príliš vysoká alebo príliš nízka.	Nabíjačku batérie používajte v prostredí, s teplotou v rozsahu 0 °C až +35 °C.
	Batéria je chybná.	Vymeňte batériu.
Zelený indikátor LED a červený indikátor LED nesvietia.	Nabíjačka batérie nie je správne pripojená k sieťovej zásuvke.	Pripojte nabíjačku batérií do sieťovej zásuvky.
	Chybná sieťová zásuvka.	Pripojte nabíjačku batérií k zdroju napätia a frekvencie uvedené na výkonovom štítku.
	Kábel nabíjačky batérie je chybný.	Kontaktujte schváleného servisného zástupcu spoločnosti.
	Nabíjačka akumulátora je chybná.	
Iné chyby.	Ak sa vyskytnú iné chyby, uistite sa, že je výrobok vypnutý, vyberte batériu a obráťte sa na autorizovaného servisného zástupcu.	

Preprava, skladovanie a likvidácia

Preprava a uskladnenie

- Dodávané lítium-iónové batérie spĺňajú požiadavky právnych predpisov, ktoré sa týkajú nebezpečného tovaru.
- Dodržiavajte špeciálne požiadavky na balení a štítkoch pri obchodnej preprave. Táto požiadavka platí aj pre tretie strany a prepravcov.
- Pred odoslaním výrobku sa poraďte s osobou s osobitým vzdelaním v oblasti nebezpečných materiálov. Dodržiavajte všetky príslušné vnútroštátne právne predpisy.
- Odhalené kontakty zaistíte páskou pri vkladaní akumulátora do balenia. Batériu v balení pevne zabezpečte, aby sa nemohla posúvať.
- Pred skladovaním alebo prepravou batériu vyberte.
- Umiestnite batériu a nabíjačku batérií do suchého priestoru bez výskytu vlhkosti a mrazov.
- Neskladujte batériu na mieste, kde sa môže vyskytovať statická elektrina. Batériu nevkladajte do kovovej skrinky.
- Batériu uložte na mieste, kde sa teplota pohybuje v intervale -20 °C (-4°F) až +50 °C (122 °F) a kde je chránená pred priamym slnečným svetlom.
- Nabíjačku batérií uložte na mieste, kde sa teplota pohybuje v intervale 5 °C (41 °F) až 45 °C (113°F) a kde je chránená pred priamym slnečným svetlom.
- Výrobok skladujte v prostredí s teplotou v rozmedzí -40 °C/-40 °F až 60 °C/140 °F.
- Nabíjačku batérií používajte iba vtedy, keď je teplota okolitého prostredia v rozsahu 0 °C (32 °F) až 35 °C (95 °F).
- Pred dlhodobým skladovaním batériu nabite na 30 – 50 % kapacity.

- Nabíjačku batérií uchovajte na uzavretom a suchom mieste.
- Batériu skladujte mimo nabíjačky batérií. Nedovoľte deťom ani iným nepovolánym osobám, aby sa dotýkali zariadenia. Uchovávajte zariadenia na mieste, ktoré je možné uzamknúť.
- Pred dlhodobým uskladnením výrobok vyčistite a vykonajte kompletný servis.
- Pomocou prepravného krytu na výrobku zamedzte vzniku zranení alebo poškodenia produktu počas prepravy a uskladnenia.
- Pred prepravou výrobok bezpečne upevnite.
- Výrobok skladujte vodorovne alebo ho zaveste na dodaný hák. Pozri časť *Montáž háku na stenu na strane 417*.

(Obr. 51)

Likvidácia batérie, nabíjačky batérií a výrobku

Nižšie uvedený symbol signalizuje, že výrobok nepredstavuje komunálny odpad. Recyklujte ho v recyklačnej stanici určenej pre elektrické a elektronické zariadenia. Napomôže tým zamedziť vzniku poškodeniu životného prostredia a osôb.

Ďalšie informácie vám poskytnú miestne úrady, služba na likvidáciu komunálneho odpadu alebo predajca.

(Obr. 18)

Poznámka: Tento symbol sa nachádza na výrobku alebo na jeho obale.

Technické údaje

Technické údaje

	Aspire T28-P4A
Motor	
Typ motora	PMDC
Otáčky výstupného hriadeľa, ot./min	6800
Šírka rezu, mm	280
Hmotnosť	
Hmotnosť bez batérie, kg	2,6
Hmotnosť s batériou (P4A 18-B45 / P4A 18-B70), kg	3,0/3,3

	Aspire T28-P4A
Emisie hluku ⁶¹	
Nameraná hladina akustického výkonu, dB (A)	85
Zaručená úroveň hlučnosti L _{WA} dB(A)	88
Hladiny hluku ⁶²	
Ekvivalentná hladina akustického tlaku pri uchu používateľa meraná podľa normy EN ISO 50636-2-91, dB (A)	73
Úrovně vibrácií ⁶³	
Hladiny vibrácií na rukovätiach merané podľa normy EN50636-2-91, m/s ²	2,26/1,61
Vybavené vyzínacou hlavou (originálnou), predná/zadná.	

Batéria	P4A 18-B45	P4A 18-B72
Typ	Lítium-iónová	Lítium-iónová
Kapacita batérie, Ah	Pozrite si výkonový štítok batérie	Pozrite si výkonový štítok batérie
Menovité napätie, V	18	18
Hmotnosť, kg	0,4	0,7

Nabíjačka batérie	P4A 18-C70
Sieťové napätie, V	220 – 240
Frekvencia, Hz	50 – 60
Výkon, W	70
Výstupné napätie, V d.c./ Ampérov, A	14,4 – 18/3

⁶¹ Hladina hluku meraná ako akustický tlak (L_{WA}) v súlade s európskou smernicou 2000/14/ES. Rozdiel medzi zaručeným a nameraným akustickým výkonom spočíva v tom, že zaručený akustický výkon zahŕňa aj rozptyl výsledkov merania a rozdiely medzi jednotlivými výrobkami rovnakého modelu v súlade so smernicou 2000/14/ES.

⁶² Uvedené údaje pre ekvivalentnú hladinu akustického tlaku majú typický štatistický rozptyl (štandardnú odchýlku) 3 dB (A).

⁶³ Uvádzané údaje pre ekvivalentný stupeň vibrácií majú typický štatistický rozptyl (štandardnú odchýlku) 1,5 m/s².

Príslušenstvo

Schválené príslušenstvo

Schválené príslušenstvo	Typ	Kryt rezacieho nadstavca, diel č.
Vyžínacia hlava	A15B M5 (šnúra s Ø 1,6 mm)	536 47 32-01

Vyhlásenie o zhode

Vyhlásenie o zhode EÚ

My, spoločnosť **Husqvarna AB**, SE-561 82 Huskvarna, Švédsko, tel.: +46-36-146500, vyhlasujeme s plnou zodpovednosťou, že výrobok:

Popis	Akumulátorový vyžinač na trávu
Značka	Husqvarna
Typ/model	Aspire T28-P4A
Identifikácia	Výrobné čísla od roku 2023 a novšie

plne spĺňa nasledujúce smernice a nariadenia EÚ:

Smernice/Nariadenia	Popis
2006/42/ES	„o strojových zariadeniach“
2014/30/EÚ	„o elektromagnetickej kompatibilite“
2000/14/ES	„týkajúca sa emisie hluku v prostredí pochádzajúceho zo zariadení používaných vo voľnom priestranstve“
2011/65/EÚ	„o obmedzení používania určitých nebezpečných látok v elektrických a elektronických zariadeniach“

a že sa pri ňom uplatňujú nasledujúce normy a technické špecifikácie: EN 60335-1:2012/A15:2021, EN 50636-2-91:2014, EN IEC 63000:2018, EN IEC 55014-1:2021; EN IEC 55014-2:2021.

Notifikovaný orgán: 0158 DEKRA Testing and Certification GmbH, Handwerkstraße 15, 70565 Stuttgart, Germany osvedčil zhodu so smernicou Rady 2000/14/ES, posudzovanie zhody: príloha VI.

Informácie týkajúce sa emisií hluku nájdete v časti *Technické údaje na strane 422*.

Huskvarna, 2023-12-14



Claes Losdal, manažér pre vývoj a výskum, Husqvarna AB

Zodpovedný za technickú dokumentáciu



Licencie

Copyright © 2012–2020 STMicroelectronics

Záruka sa nevzťahuje na poruchy, ktoré vznikli v dôsledku bežného opotrebovania a poškodenia, nedbanlivosti, nesprávneho používania, nepovolennej opravy alebo pripojenia sacieho mechanizmu k zásuvke s nesprávnym napätím.

Všetky práva vyhradené.

Redistribúcia a používanie v zdrojovej a binárnej forme, s úpravami alebo bez nich, sú povolené za predpokladu, že sú splnené nasledujúce podmienky:

- Redistribúcie zdrojového kódu musia obsahovať vyššie uvedené oznámenie o autorských právach, tento zoznam podmienok a nasledujúce vylúčenie zodpovednosti.
- V redistribúciách v binárnej forme sa musí reprodukovať vyššie uvedené oznámenie o autorských právach, tento zoznam podmienok a nasledujúce vyhlásenie o vylúčení zodpovednosti v dokumentácii a/alebo iných materiáloch poskytnutých s distribúciou.
- Ani názov STMicroelectronics, ani mená prispievateľov sa nesmú použiť na podporu alebo propagáciu výrobkov odvodených z tohto softvéru bez osobitného predchádzajúceho písomného povolenia.

DRŽITELIA AUTORSKÝCH PRÁV A PRISPIEVATELIA POSKYTUJÚ TENTO SOFTVÉR „TAK, AKO JE“ A AKÉKOLĽEK VÝSLOVNÉ ALEBO IMPLICITNÉ ZÁRUKY VRÁTANE, ALE NIE VÝHRADNE, IMPLIKOVANÝCH ZÁRUK PREDAJNOSTI A VHODNOSTI NA KONKRÉTNY ÚČEL SA ODMIETAJÚ. V ŽIADNOM PRÍPADE NEBUDÚ VLASTNÍK AUTORSKÝCH PRÁV ANI PRISPIEVATELIA ZODPOVEDNÍ ZA AKÉKOLĽEK PRIAME, NEPRIAME, NÁHODNÉ, ŠPECIÁLNE ALEBO NÁSLEDNÉ ŠKODY ANI EXEMPLÁRNU NÁHRADU ŠKODY (VRÁTANE, ALE NIE VÝHRADNE, OBSTARÁVANIA NÁHRADNÉHO TOVARU ALEBO SLUŽIEB, NÁHRADY ZA STRATU MOŽNOSTI POUŽITIA, ÚDAJOV ALEBO STRATU ZISKU ALEBO PRERUŠENIE PODNIKANIA), ČI UŽ IDE O ZMLUVU, OBJEKTÍVNU ZODPOVEDNOSŤ ALEBO NÁROKY Z MIMOSÚDNEJ ZODPOVEDNOSTI (VRÁTANE NEDBALOSTI ALEBO INÉ), VYPLYVAJÚCE AKÝMKOLĽEK SPÔSOBOM Z POUŽÍVANIA TOHTO SOFTVÉRU, A TO ANI V PRÍPADE UPOZORNENIA NA MOŽNOSŤ TAKEJTO ŠKODY.

Licencia Apache 2.0

Copyright © 2009-2019 Arm Limited. Všetky práva vyhradené.

Verzia 2.0, január 2004 <http://www.apache.org/licenses/>

ZMLUVNÉ PODMIENKY POUŽÍVANIA, REPRODUKOVANIA A DISTRIBÚCIE

1. Definície.

„**Licencia**“ znamená podmienky používania, reprodukcie a distribúcie, ako sú definované v častiach 1 až 9 tohto dokumentu. „**Poskytované licencie**“ znamená vlastníka autorských práv alebo subjekt poverený vlastníkom autorských práv, ktorý udeľuje licenciu.

„**Právnická osoba**“ znamená spojenie konajúceho subjektu a všetkých ostatných subjektov, ktoré tento subjekt ovládajú, sú ním kontrolované alebo sú s ním pod spoločnou kontrolou. Na účely tejto definície „**kontrola**“ znamená (i) priamu alebo nepriamu právomoc vykonávať riadenie alebo správu takéhoto subjektu, či už na základe zmluvy alebo inak, alebo (ii) vlastníctvo päťdesiatich percent (50 %) alebo viac akcií v obehu alebo (iii) bezprostredné vlastníctvo takéhoto subjektu.

„**Vy**“ (alebo „**váš**“) znamená fyzickú osobu alebo právnickú osobu, ktorá uplatňuje povolenia udelené touto licenciou. „**Zdrojová**“ forma znamená preferovanú formu na vykonávanie úprav vrátane, ale nie výlučne, zdrojového kódu softvéru, zdroja dokumentácie a konfiguračných súborov. „**Objektová**“ forma znamená akúkoľvek formu, ktorá je výsledkom mechanickej transformácie alebo prekladu zdrojovej formy vrátane, ale nie výlučne, skompilovaného objektového kódu, vygenerovanej dokumentácie a konverzií na iné typy médií. „**Dielo**“ znamená autorské dielo, či už v zdrojovej forme alebo objektivej forme, sprístupnené na základe licencie, ako je uvedené v oznámení o autorských právach, ktoré je súčasťou diela alebo je k nemu pripojené (príklad je uvedený v prílohe nižšie). „**Ovodené diela**“ znamenajú akékoľvek dielo, či už v zdrojovej forme alebo objektivej forme, ktoré je založené na diele (alebo je z neho odvodené) a pre ktoré redakčné revízie, anotácie, rozpracovania alebo iné úpravy predstavujú ako celok pôvodné autorské dielo. Na účely tejto licencie nebudú odvodené diela zahŕňať diela, ktoré zostanú oddeliteľné od rozhraní diela a odvodených diel alebo sú s nimi prepojené (alebo sú s nimi prepojené názvom).

„**Príspevok**“ znamená akékoľvek autorské dielo vrátane pôvodnej verzie diela a akýchkoľvek úprav alebo dodatkov k tomuto dielu alebo odvodeným dielam, ktoré vlastníka autorských práv alebo jednotlivec alebo právnická osoba oprávnená na odovzdanie v mene vlastníka autorských práv zámerné odovzdá poskytovateľovi licencie na zahrnutie do diela. Na účely tejto definície výraz „**odovzdanie**“ znamená akúkoľvek formu elektronickej, verbálnej alebo písomnej komunikácie odoslanú poskytovateľovi licencie alebo jeho zástupcom vrátane, nie však výlučne, komunikácie o elektronických zoznamoch adries, systémoch kontroly zdrojového kódu a systémoch sledovania problémov, ktoré sú spravované poskytovateľom licencie alebo v jeho mene za účelom diskusie a zlepšovania diela avšak s výnimkou komunikácie, ktorá je nápadne označená alebo inak písomne označená vlastníkom autorských práv ako „**Toto nie je príspevok**“. „**Prispievateľ**“ znamená poskytovateľa licencie a akúkoľvek fyzickú osobu alebo

právnickú osobu, v mene ktorej poskytovateľ licencie prijal príspevok a následne ho začlenil do diela.

2. Udelenie licencie na autorské práva.

V súlade so zmluvnými podmienkami tejto licencie vám každý prispievateľ týmto udeľuje trvalú, celosvetovú, nevýhradnú, bezplatnú a bez autorských poplatkov, neodvolateľnú autorskú licenciu na reprodukciu, prípravu odvodенých diel, verejnú zobrazovanie, verejnú predvádzanie, sublicencovanie a distribuovanie diela a odvodенých diel v zdrojovej forme alebo objektovej forme.

3. Udelenie patentovej licencie.

V súlade so zmluvnými podmienkami tejto licencie vám každý prispievateľ týmto udeľuje trvalú, celosvetovú, nevýhradnú, bezplatnú a bez autorských poplatkov, neodvolateľnú (okrem prípadov uvedených v tejto časti) patentovú licenciu na vytváranie, používanie, ponúkanie na predaj, predaj, dovoz alebo iný prevod diela, ak sa takáto licencia vzťahuje len na tie patentové nároky, na ktoré daný prispievateľ poskytuje licenciu a ktoré sú bezpodmienečne obmedzené jeho príspevkom (príspevkami) samotným alebo kombináciou jeho príspevku (príspevkov) s dielom, do ktorého bol takýto príspevok (príspevky) odovzdaný. Ak zahájite patentový súdny spor proti ktorémukoľvek subjektu (vrátane krížového nároku alebo protinároku v súdnom spore), v ktorom tvrdíte, že dielo alebo príspevok začlenený do diela predstavuje priame porušenie patentu alebo porušenie patentu spoluúčast'ou, potom budú všetky patentové licencie udelené vám na základe tejto licencie na toto dielo ukončené dňom zahájenia takéhoto súdneho sporu.

4. Redistribúcia.

Môžete reprodukovať a distribuovať kópie diela alebo z neho odvodенých diel na akomkoľvek médiu s úpravami alebo bez nich a v zdrojovej forme alebo objektovej forme za predpokladu, že splníte nasledujúce podmienky:

- ostatným príjemcom diela alebo odvodенých diel musíte poskytnúť kópiu tejto licencie a
- musíte zabezpečiť, aby všetky upravené súbory obsahovali výrazné upozornenia, že ste súbory zmenili; a – v zdrojovej forme akýchkoľvek odvodенých diel, ktoré distribuujete, musíte ponechať všetky oznámenia o autorských právach, patentoch, ochranných známkach a upozornenia na autorstvo zo zdrojovej formy diela s výnimkou tých oznámení, ktoré sa netýkajú žiadnej časti odvodенých diel, a
- ak dielo obsahuje textový súbor „**OZNÁMENIE**“ ako súčasť distribúcie, potom akékoľvek odvodенé diela, ktoré distribuujete, musia obsahovať čitateľnú kópiu upozornení na autorstvo, ktoré sa nachádzajú v takomto súbore OZNÁMENIE, s výnimkou tých upozornení, ktoré sa netýkajú žiadnej časti odvodенého diela, aspoň na jednom z nasledujúcich miest: v textovom

súbore OZNÁMENIE distribuovanom ako súčasť odvodенých diel; v zdrojovej forme alebo dokumentácii, ak sa poskytujú spolu s odvodенými dielami; alebo v rámci zobrazenia vygenerovaného odvodенými dielami, ak a kdekoľvek sa takéto oznámenia tretích strán bežne vyskytujú. Obsah súboru OZNÁMENIE slúži len na informačné účely a nemení licenciu. V rámci odvodенých diel, ktoré distribuujete, môžete pridať svoje vlastné upozornenia na autorstvo spolu s textom OZNÁMENIA z diela alebo ako jeho dodatok za predpokladu, že takéto dodatočné upozornenia na autorstvo nemožno vykladať ako úpravu licencie. K svojim úpravám môžete pridať vlastné vyhlásenie o autorských právach a môžete poskytnúť dodatočné alebo odlišné licenčné podmienky na používanie, reprodukciu alebo distribúciu vašich úprav alebo pre akékoľvek takéto odvodенé diela ako celok za predpokladu, že vaše používanie, reprodukcia a distribúcia diela inak vyhovuje podmienkam uvedeným v tejto licencii.

5. Odovzdanie príspevkov.

Ak výslovne neuvediete inak, každý príspevok, ktorý odovzdáte poskytovateľovi licencie na zahrnutie do diela, bude podliehať podmienkam tejto licencie bez akýchkoľvek ďalších podmienok. Bez ohľadu na vyššie uvedené nič v tomto dokumente nenahrádza ani neupravuje podmienky akejkoľvek samostatnej licenčnej zmluvy, ktorú ste mohli uzavrieť s poskytovateľom licencie v súvislosti s takýmito príspevkami.

6. Obchodné značky.

Táto licencia neudeľuje povolenie na používanie obchodných názvov, obchodných značiek, servisných značiek alebo názvov výrobkov poskytovateľa licencie s výnimkou prípadov, keď je to potrebné na primerané a obvyklé použitie pri opise pôvodu diela a reprodukcií obsahu súboru OZNÁMENIE.

7. Zrieknutie sa záruky.

Pokiaľ to nevyžaduje príslušný zákon alebo nie je dohodnuté písomne, poskytovateľ licencie poskytuje dielo (a každý prispievateľ poskytuje svoje príspevky) „TAK, AKO JE“, BEZ ZÁRUK ALEBO PODMIENOK AKÉHOKOĽVEK DRUHU, či už výslovných alebo predpokladaných, vrátane, bez obmedzenia, akýchkoľvek záruk alebo podmienok VLASTNÍCTVA, NEPORUŠENIA, OBCHODOVATEĽNOSTI alebo VHODNOSTI NA KONKRÉTNY ÚČEL. Výhradne zodpovedáte za určenie vhodnosti použitia alebo redistribúcie diela a preberáte akékoľvek riziká spojené s vašim uplatňovaním povolení podľa tejto licencie. 8. Obmedzenie zodpovednosti. V žiadnom prípade a podľa žiadnej právnej teórie, či už v rámci mimosúdnej zodpovednosti (vrátane nedbanlivosti), zmluvy alebo inak, pokiaľ to nevyžaduje príslušný zákon (ako sú úmyselné činy a hrubá neobalnosť) alebo ak to nie je dohodnuté písomne, žiadny prispievateľ vám nebude zodpovedať za škody vrátane akýchkoľvek priamych,

nepriamych, špeciálnych, náhodných alebo následných škôd akéhokoľvek charakteru, ktoré vznikli v dôsledku tejto licencie alebo v dôsledku používania alebo nemožnosti použiť dielo (vrátane, ale nie výlučne, škôd za stratu dobrého mena, zastavenie práce, zlyhanie alebo nefunkčnosť počítača alebo akéhokoľvek iné komerčné škody alebo straty), a to aj vtedy, ak bol daný prispievateľ upozornený na možnosť takýchto škôd.

9. Prijatie záruky alebo dodatočnej zodpovednosti.

Pri redistribúcii diela alebo diel odvodených od neho sa môžete rozhodnúť ponúknuť a účtovať poplatok

za prijatie podpory, záruky, odškodnenia alebo iných záväzkov a/alebo práv v súlade s touto licenciou. Pri prijímaní takýchto záväzkov však môžete konať iba vo svojom mene a na svoju výhradnú zodpovednosť, nie v mene akéhokoľvek iného prispievateľa, a iba ak súhlasíte s tým, že odškodníte, budete brániť a chrániť každého prispievateľa za akúkoľvek zodpovednosť, ktorá vznikne, alebo nároky uplatnené voči takémuto prispievateľovi z dôvodu vášho prijatia akejkoľvek takejto záruky alebo dodatočnej zodpovednosti. KONIEC ZMLUVNÝCH PODMIENOK

Innehåll

Introduktion.....	428	Transport, förvaring och kassering.....	441
Säkerhet.....	430	Tekniska data.....	441
Montering.....	436	Tillbehör.....	443
Drift.....	437	Försäkrän om överensstämmelse.....	444
Underhåll.....	439	Licenser.....	445
Felsökning.....	440	Bilaga	507

Introduktion

Produktbeskrivning

Husqvarna Aspire T28-P4A är en batteridriven grässtrimmer med elmotor.

Arbetet med att öka din säkerhet och effektivitet under användning pågår ständigt. Prata med en serviceverkstad för mer information.

Användning

Produkten används med ett trimmerhuvud för att klippa gräs. Använd inte produkten till andra uppgifter än grässtrimming och gräsröjning.

Produktöversikt

(Fig. 1)

1. Trimmerhuvud
2. Trimmerhuvudets skydd
3. Växtskyddsbygel
4. Ratt för axeljustering (teleskop)
5. Axel
6. Loophandtag
7. Underhållskåpa
8. Knapp för inställning av loophandtag
9. Användargränssnitt
10. Varningsindikator
11. Batteriindikator
12. ON/OFF-knapp
13. Gasreglage
14. Gasreglagespärr

Notera: Nationella regler kan begränsa användningen av produkten.

Snabbguide

Skanna QR-koden för att få råd om hur du använder produkten.

(Fig. 20)

15. BATTERI (P4A 18-B45)
16. Frigöringsknapp för batteri
17. BATTERI (P4A 18-B72)
18. Batteriladdare (P4A 18-C70)
19. Koppling
20. Ström- och varningsindikator
21. Kombinationsverktyg
22. Väggekrok
23. Skruvar och väggpluggar för väggkrok
24. Bruksanvisning

Symboler på produkten

(Fig. 2) **WARNING!** Den här produkten kan vara farlig och kan orsaka allvarlig eller livshotande skada för användaren och

- andra. Var försiktig och använd produkten på rätt sätt.
- (Fig. 3) Läs igenom bruksanvisningen noggrant och se till att du förstår instruktionerna innan användning.
- (Fig. 4) Använd ögonskydd.
- (Fig. 5) Utsätt inte för regn.
- (Fig. 6) Miljömärkning för bulleremission enligt direktiv och bestämmelser för EU och Storbritannien samt New South Wales-lagen "Protection of the Environment Operations (Noise Control) Regulation 2017". Produktens garanterade ljudeffektnivå anges i *Tekniska data på sida 441*.
- (Fig. 7) Koppla bort batteriet före underhåll.
- (Fig. 8) Produkten eller dess förpackning är inte hushållsavfall. Återvinn den vid en återvinningsstation för elektrisk och elektronisk utrustning.
- (Fig. 9) Se upp för slungade föremål.
- (Fig. 10) Använd inte metallknivar.
- (Fig. 11) Produkten överensstämmer med gällande EU-direktiv.
- (Fig. 12) Produkten överensstämmer med gällande brittiska direktiv.
- (Fig. 13) Likström.
- (Fig. 17) Avståndet mellan maskinen och åskådare ska vara minst 15 m.

yyyywwxxxx

Typskylten eller laserskriften visar serienumret. **yyyy** är produktionsåret och **ww** är produktionsveckan.

Symboler på produkten

- (Fig. 2) **WARNING!** Den här produkten kan vara farlig och kan orsaka allvarlig eller livshotande skada för användaren och andra. Var försiktig och använd produkten på rätt sätt.

- (Fig. 3) Läs igenom bruksanvisningen noggrant och se till att du förstår instruktionerna innan användning.
- (Fig. 4) Använd ögonskydd.
- (Fig. 5) Utsätt inte för regn.
- (Fig. 6) Miljömärkning för bulleremission enligt EU- (inklusive lagstiftning för New South Wales) och brittiska direktiv och bestämmelser. Information om bulleremission finns på maskinens etikett och i avsnittet Tekniska data.
- (Fig. 7) Koppla bort batteriet före underhåll.
- (Fig. 8) Produkten eller dess förpackning är inte hushållsavfall. Återvinn den vid en återvinningsstation för elektrisk och elektronisk utrustning.
- (Fig. 9) Se upp för slungade föremål.
- (Fig. 10) Använd inte metallknivar.
- (Fig. 11) Produkten överensstämmer med gällande EU-direktiv.
- (Fig. 13) Likström.
- (Fig. 17) Avståndet mellan maskinen och åskådare ska vara minst 15 m.

yyyywwxxxx

Typskylten eller laserskriften visar serienumret. **yyyy** är produktionsåret och **ww** är produktionsveckan.

Symboler på batteriet eller på batteriladdaren

- (Fig. 18) Återvinn produkten vid en återvinningsstation för elektrisk och elektronisk utrustning. (Gäller endast Europa)
- (Fig. 19) Använd endast batteriet i produkter från POWER FOR ALL System-partner.

(Fig. 14) Transformator med automatisk säkerhetsanordning.

(Fig. 15) Använd och förvara endast batteriladdaren inomhus.

(Fig. 16) Dubbelisolerad.

Produktskada

Vi ansvarar inte för skador på vår produkt om:

- produkten repareras felaktigt

- produkten repareras med delar som inte kommer från tillverkaren eller inte har godkänts av tillverkaren
- produkten har ett tillbehör som inte kommer från tillverkaren eller inte har godkänts av tillverkaren
- produkten inte repareras vid ett godkänt servicecenter eller av en godkänd person.

Tillverkare

Husqvarna AB

SE-561 82, Huskvarna, Sweden

Säkerhet

Säkerhetsdefinitioner

Varningar, försiktighetsåtgärder och anmärkningar används för att betona speciellt viktiga delar i bruksanvisningen.



VARNING: Används om det finns risk för skador eller dödsfall för användaren eller kringstående om anvisningarna i bruksanvisningen inte följs.



OBSERVERA: Används om det finns risk för skada på produkten, annat material eller det angränsande området om anvisningarna i bruksanvisningen inte följs.

Notera: Används för att ge mer information som är nödvändig i en viss situation.

Allmänna säkerhetsvarningar för elverktyg



VARNING: Läs igenom alla säkerhetsinstruktioner och varningar. Om du inte följer varningarna och instruktionerna kan det leda till elektriska stötar, brand och/eller allvarliga skador.

Notera: Spara alla varningar och instruktioner som referens. I varningarna syftar termen "elverktyg" på ett verktyg som antingen är anslutet till nätspänningen (med sladd) eller drivs av batteri (sladdlöst).

Kontroll före start

- För att undvika ofrivillig start av produkten ska alltid batteriet avlägsnas. Ta alltid ur batteriet innan du utför underhåll på produkten.
- När produkten har utsatts för stötar reparerar du eventuellt slitage och skador innan du använder den.

- Inspektera arbetsområdet. Avlägsna alla lösa föremål, så som stenar, krossat glas, spikar, ståltråd, snören med mera, som kan slungas iväg eller sno in sig i kniv eller knivskydd.
- Kontrollera motorn med avseende på smuts och sprickor. Gör motorn ren från gräs och löv med hjälp av en borste. Handskar ska användas när det behövs.
- Kontrollera att trimmerhuvudet sitter fast på trimmern.
- Kontrollera produkten så att den är i fullgott skick. Kontrollera att alla muttrar och skruvar är åtdragna.
- Kontrollera trimmerhuvudet och trimmerskyddet så att de är oskadade och fria från sprickbildning. Byt trimmerhuvud eller trimmerskydd om de utsatts för slag eller har sprickor. Använd alltid rekommenderat skydd för den specifika skärutrustningen. Se kapitel Tekniska data.
- Användare av produkten ska se till att inga människor eller djur kommer närmare än 15 meter under arbetet. När flera användare arbetar på samma område ska säkerhetsavståndet vara minst 15 meter.
- Gör en total kontroll av produkten före användning. Se underhållsschemat.
- Nationella eller lokala föreskrifter kan reglera användningen. Följ givna föreskrifter.

Säkerhet i arbetsområdet

- **Arbetsområdet ska hållas välordnat och välbelyst.** I röriga eller mörka arbetsområden händer det lätt olyckor.
- **Använd inte elverktyg i explosiva miljöer, t.ex. i närvaro av brandfarliga vätskor, gaser eller damm.** Gnistor från elverktyget kan antända damm eller ångor.
- **Håll barn och åskådare på avstånd när du använder elverktyg.** Om du blir distraherad kan du tappa kontrollen.

Elsäkerhet

- **Elverktygets stickkontakt måste passa i vägguttaget. Modifiera aldrig stickkontakten på något sätt. Använd**

inga adapterkontakter med jordade elverktyg.

Oförändrade stickkontakter och motsvarande vägguttag minskar riskerna för elektriska stötar.

- **Undvik kroppskontakt med jordade ytor, t.ex. rör, kylare, spisar och kylskåp.** Risken för elektriska stötar ökar om kroppen är jordad.
- **Utsätt inte elverktyg för regn eller väta.** Om vatten tränger in i elverktyget ökar risken för elektrisk stöt.
- **Använd inte sladden på fel sätt. Använd inte sladden för att bära eller dra elverktyget, eller för att koppla ur elverktyget från uttaget. Håll sladden borta från värme, olja, vassa kanter och rörliga delar.** Skadade eller trassliga sladdar ökar risken för elektriska stötar.
- **När du använder ett elverktyg utomhus ska du även använda en förlängningsladd för utomhusbruk.** Om du använder en sladd för utomhusbruk minskar risken för elektriska stötar.
- **Om det är oundvikligt att köra elverktyget i en fuktig miljö använder du en jordfelsbrytare (RCD).** Med jordfelsbrytare minskar risken för elektriska stötar.

Personligt skydd

- **Var på din vakt, var uppmärksam på vad du gör och använd sunt förnuft när du använder ett elverktyg. Använd inte elverktyg om du är trött, har druckit alkohol eller om du har tagit droger eller mediciner.** Ett ögonblick av uppmärksamhet när du använder ett elverktyg kan leda till allvarlig personskada.
- **Använd personlig skyddsutrustning. Bär alltid skyddsglasögon.** Lämplig skyddsutrustning som ansiktsmask, halkfria skyddsskor, hjälm eller hörselskydd minskar risken för personsador.
- **Förebygg att maskinen startar oavsiktligt. Se till att strömbrytaren är frånslagen innan du ansluter elverktyget till en strömkälla och/eller ett batteri samt innan du tar upp eller bär verktyget.** Risken för olyckor är stor om du bär elverktyg med fingret på strömbrytaren eller tillför ström till elverktyg med strömbrytaren påslagen.
- **Ta bort eventuella justeringsnycklar eller skiftnycklar innan du slår på verktyget.** Nycklar som lämnas kvar i elverktygets rörliga delar kan orsaka personskada.
- **Sträck dig inte för långt. Ha alltid ett stadigt fotfäste och god balans.** Det ger dig större kontroll över elverktyget i oväntade situationer.
- **Ta på dig ordentliga arbetskläder. Använd inte löst sittande kläder eller smycken. Håll hår och kläder borta från rörliga delar.** Lösa kläder, smycken och långt hår kan fastna i rörliga delar.
- **Om det finns anordningar för anslutning av enheter för uppsamling av damm, se då till att dessa är ordentligt anslutna och att de används på rätt sätt.** Dammuppsamling kan minska dammrelaterad fara.
- **Tillåt inte dig själv att känna dig för tryggt och bli för avslappnad även om du har erfarenhet av regelbunden användning av verktyg så att du börjar strunta i verktygets säkerhetsprinciper.** En slarvig

handling kan orsaka allvarlig skada på mindre än en sekund.

- **Vibrationsnivån vid användning av elverktyget kan skilja sig från det angivna totala värdet beroende på hur verktyget används.** Användarna bör fastställa säkerhetsåtgärder för att skydda sig själva som är baserade på en uppskattning av exponeringen vid faktiska användningsförhållanden (med beaktande av alla delar av arbetscykeln, som när verktyget är avstängt, när det går på tomgång och när det används).

Använda och underhålla elverktyg

- **Bruka inte våld eller onödig kraft. Använd det elverktyg som är rätt för ditt syfte.** Med rätt elverktyg utför du ett bättre och säkrare jobb med den hastighet som elverktyget är utformat för.
- **Använd inte elverktyget om du inte kan starta och stänga av det med strömbrytaren.** Elverktyg som inte kan kontrolleras med strömbrytaren är farliga och måste repareras.
- **Koppla bort kontakten från strömkällan och/eller ta ut batteriet (om det kan tas bort) innan du gör justeringar, byter tillbehör eller förvarar elverktyget.** Sådana förebyggande säkerhetsåtgärder minskar risken för att elverktyget startas oavsiktligt.
- **Förvara elverktyg som inte används utom räckhåll för barn. Se till att personer som inte tidigare har hanterat verktyget, eller som inte har läst instruktionerna, inte använder det.** Elverktyg är farliga om de används av ovana användare.
- **Underhållning av elverktyg och tillbehör. Kontrollera att rörliga delar ligger i linje och inte kärvar. Kontrollera även om det finns skadade delar eller om det föreligger andra förhållanden som kan påverka elverktygets funktion. Om elverktyget är skadat ska det repareras innan det används igen.** Många olyckor sker på grund av att rätt underhåll inte har utförts på elverktyget.
- **Håll kapverktyg skarpa och rena.** Kapverktyg med vassa eggar som underhålls på rätt sätt kärvar mer sällan och är lättare att styra.
- **Använd elverktyget och tillbehör enligt de här instruktionerna. Tänk på att ta hänsyn till arbetsförhållandena och det arbete som ska utföras.** Användning av elverktyg andra syften än de avsedda kan resultera i en farlig situation.
- **Håll handtagen och greppytorna torra, rena och fria från olja och fett.** Håll handtag och greppytor innebär att det inte är säkert att hantera och styra verktyget i oväntade situationer.

Använda och underhålla batteridrivna verktyg

- **Ladda endast upp med den laddare som anges av tillverkaren.** En laddare som är lämplig för en typ av batteripack kan utgöra en brandrisk när den används med ett annat batteripack.
- **Använd endast produkter med särskilt avsedda batteripack.** Användning av andra batteripack kan innebära risk för skada och brand.

- **När batteripacket inte används ska du hålla det borta från andra metallföremål, som gem, mynt, nycklar, spikar, skruvar och andra små metallföremål, som kan skapa en anslutning mellan kontaktarna.** Kortslutning av batteriets kontakter kan orsaka brännskador eller brand.
- **Vid felaktig användning kan vätska spruta ut från batteriet. Undvik kontakt. Om kontakt inträffar av misstag ska du skölja med vatten. Om du får vätska i ögonen ska du uppsöka läkare.** Vätska som sprutar ut från batteriet kan orsaka irritation eller sveda.
- **Använd inte ett batteripack eller ett verktyg som är trasigt eller modifierat.** Skadade eller modifierade batterier kan fungera på ett oväntat sätt vilket kan leda till brand, explosion eller risk för skada.
- **Utsätt inte ett batteripack eller ett verktyg för brand eller extrema temperaturer.** Om det utsätts för brand eller temperaturer över 130 °C kan en explosion inträffa.
- **Följ alla anvisningar för laddning och ladda inte batteripacket eller verktyget utanför det temperaturintervall som anges i instruktionerna.** Felaktig laddning eller temperaturer utanför det specificerade området kan skada batteriet och öka risken för brand.
- För att undvika ofrivillig start av maskinen ska batteriet avlägsnas.
- Denna produkt är ett farligt verktyg om du inte är försiktig eller om du använder produkten felaktigt. Den här produkten kan orsaka allvarlig eller livshotande skada för användaren och andra.
- Använd inte produkten om den ändras från dess första specifikation. Byt inte ut en del av produkten utan tillverkarens godkännande. Använd endast reservdelar som godkänts av tillverkaren. Felaktigt underhåll kan leda till skador eller dödsfall.
- Kontrollera produkten före användning. Se *Kontroll före start på sida 430* och *Innan du använder produkten på sida 437*. Använd inte en produkt som har skador eller inte fungerar korrekt. Utför de säkerhets-, underhålls- och serviceinstruktioner som beskrivs i denna bruksanvisning.
- Barn ska övervakas för att garantera att de inte leker med produkten. Låt aldrig barn eller andra personer som inte utbildats i handhavande av produkten och/eller batteriet använda eller underhålla den. Lokala föreskrifter kan reglera användarens ålder.
- Förvara produkten i ett låst utrymme för att förhindra åtkomst för barn eller personer som inte är behöriga.
- Förvara produkten oåtkomlig för barn.
- Enhetens ursprungliga utformning får inte under några omständigheter ändras utan tillstånd från tillverkaren. Använd alltid originaltillbehör. Ändringar och/eller tillbehör som inte är godkända kan medföra allvarliga personskador eller dödsfall för användaren och andra.

Service

- **Låt en kvalificerad reparatör som endast använder identiska reservdelar underhålla elverktyget.** På så sätt garanterar du att säkerheten kring ditt elverktyg upprätthålls.
- **Utför aldrig underhåll på skadade batteripack.** Underhåll på batteripack bör endast utföras av tillverkaren eller auktoriserade tjänsteleverantörer.

Använd alltid sunt förnuft

Det är omöjligt att täcka alla tänkbara situationer du kan ställas inför. Var alltid försiktig och använd sunt förnuft. Undvik situationer som du anser dig otillräckligt kvalificerad för. Om du efter att ha läst dessa instruktioner fortfarande känner dig osäker angående tillvägagångssätt ska du rådfråga en expert innan du fortsätter.



VARNING: Tillåt aldrig barn att använda eller vara i närheten av maskinen. Eftersom maskinen är lätt att starta kan barn starta den om de inte hålls under uppsikt. Detta kan innebära risk för allvarlig personskada. Avlägsna därför alltid batteriet när maskinen inte är under uppsikt.

Allmänna säkerhetsanvisningar



VARNING: Läs varningsinstruktionerna nedan innan du använder produkten.

Notera: Nationella eller lokala lagar kan reglera användningen. Följ givna föreskrifter.

Säkerhetsinstruktioner för drift



VARNING: Läs varningsinstruktionerna nedan innan du använder produkten.

- **Använd inte maskinen i dåligt väder, i synnerhet inte vid risk för blixtnedslag.** Det minskar risken att träffas av blixten.
- **Kontrollera om det finns vilda djur i området där maskinen ska användas.** Vilda djur kan skadas av maskinen under drift.
- **Kontrollera noga området där maskinen ska användas och ta bort alla stenar, grejar, kablar, ben och andra främmande föremål.** Utslungade föremål kan orsaka personskador.
- **Innan du använder maskinen ska du alltid inspektera den visuellt för att kontrollera att klingan och klingenshaken inte är skadade.** Defekta delar ökar skaderisken.
- **Se till att skydden sitter på plats. Skydden måste vara i funktionsdugligt skick och vara korrekt monterade.** Skydd som är lösa, skadade eller inte fungerar som de ska kan leda till personskador.

- **Håll alla kallluftstagn borta från skräp.** Blockerade luftintag och skräp kan leda till överhettning eller brandrisk.
- **Bär ögonskydd och hörselskydd.** Adekvat skyddsutrustning minskar risken för personskador.
- **Använd alltid halksäkra skyddsskor när du använder maskinen. Använd aldrig maskinen barfota eller med öppna sandaler.** Detta minskar risken för skador på fötterna av den rörliga klingan.
- **Använd alltid kläder som täcker hela benen när du använder maskinen, till exempel byxor.** Kontakt med den rörliga klingan eller linan kan orsaka skador.
- **Håll kringstående personer på avstånd när du använder maskinen.** Skräp som slungas iväg kan orsaka allvarliga personskador.
- **Kör inte maskinen över midjehöjd.** Detta hjälper till att förhindra oavsiktlig kontakt med klingan och ger ökad kontroll över maskinen i oväntade situationer.
- **Var försiktig när du använder maskinen i vått gräs. Gå – spring aldrig.** Detta minskar risken för att halka och falla, som kan leda till personskador.
- **Kör inte maskinen i för branta lutningar.** Detta minskar risken för att du tappar kontrollen, halkar eller ramlar, som kan resultera i personskador.
- **När du arbetar i lutningar ska du alltid stå stadigt, alltid arbeta tvärs över lutningen snarare än uppifrån och ner och vara oerhört försiktig när du byter riktning.** Detta minskar risken för att du tappar kontrollen, halkar och ramlar, som kan leda till personskador.
- **Håll alla nätsladdar borta från arbetsområdet.** Det kan finnas dolda nätsladdar i häckar eller buskar som du kan råka skära av eller skada med klingan.
- **Håll alla delar av kroppen borta från den rörliga klingan eller linan. Rensa inte material från maskinen förrän den har kopplats bort från strömkällan.** Den rörliga klingan eller linan kan orsaka allvarliga personskador.
- **Se till att maskinen är avstängd när du bär den och håll den borta från kroppen.** Korrekt hantering av maskinen minskar risken för oavsiktlig kontakt med den rörliga klingan eller linan.
- **Byt endast till klipp huvuden och klingor eller linor som specificeras av tillverkaren. Byt inte ut klingan eller linan mot linor eller klingor i metall.** Felaktiga reservdelar kan orsaka förlust av kontroll, haveri och skador.

Personlig skyddsutrustning



WARNING: Läs varningsinstruktionerna nedan innan du använder produkten.

- Använd alltid godkänd personlig skyddsutrustning när du använder produkten. Personlig skyddsutrustning kan inte eliminera skaderisken helt, men den reducerar effekten av en skada vid ett eventuellt olyckstillbud. Be din återförsäljare om hjälp med att välja rätt utrustning.

- Använd godkända hörselskydd.

(Fig. 21)

- Använd godkänt ögonskydd. Används visir måste även godkända skyddsglasögon användas. Godkända skyddsglasögon måste uppfylla standarden ANSI Z87.1 i USA och SS-EN 166 i EU-länder.

(Fig. 22)

- Använd handskar vid behov, till exempel när du ansluter, undersöker eller rengör skärutrustningen.

(Fig. 23)

- Använd skyddskängor med stålhatta och halkfri sula.

(Fig. 24)

- Ha på dig kläder i slitstarkt material. Bär alltid kraftiga långbyxor och överdel med långa ärmar. Använd inte löst sittande kläder som kan fastna i kvistar och grenar. Använd inte smycken, korta byxor eller sandaler. Sätt upp håret ordentligt så att det inte hänger nedanför axlarna.
- Ha första förband nära till hands.

(Fig. 25)

Säkerhetsanordningar på produkten



WARNING: Läs varningsinstruktionerna nedan innan du använder produkten.

I detta avsnitt beskrivs produktens säkerhetsfunktioner, dess syfte samt hur kontroller och underhåll ska utföras för att säkerställa att den fungerar korrekt. Se anvisningar under rubrik *Introduktion på sida 428* för att ta reda på var dessa delar finns på din produkt.

Produktens livslängd kan förkortas och risken för olyckor kan öka om underhåll av produkten inte utförs på rätt sätt och om service och/eller reparationer inte utförs av specialutbildade tekniker. Kontakta din serviceverkstad om du behöver ytterligare information.



WARNING: Använd aldrig en produkt med skadade säkerhetskomponenter. Produktens säkerhetsutrustning ska kontrolleras och underhållas som beskrivs i detta avsnitt. Om din produkt inte klarar alla kontrollerna ska serviceverkstad uppsökas för reparation.



OBSERVERA: All service och reparation av maskinen kräver specialutbildning. Detta gäller särskilt maskinens säkerhetsutrustning. Om maskinen inte klarar någon av nedan listade kontroller ska du uppsöka en serviceverkstad. Ett köp av någon av våra produkter garanterar att du kan få en fackmannamässig reparation och service

utförd. Om inköpsstället för maskinen inte är en av våra serviceverkstäder ska du fråga dem efter närmaste serviceverkstad.

Kontrollera användargränssnittet

De gröna lysdioderna (A) visar batteristatusen när produkten är på men inte i drift.

1. Tryck in och håll kvar ON/OFF-knappen (B). (Fig. 26)
 - a) Produkten är påslagen när de gröna lysdioderna (A) lyser.
 - b) Produkten är av när de gröna lysdioderna (A) är släckta.
2. Se *Felsökning på sida 440* Om varningsindikatorn (C) lyser eller blinkar.

Kontrollera gasreglagespärren

Gasreglagespärren förhindrar oavsiktlig start. När du trycker på gasreglagespärren (A) frikopplas gasreglaget (B). När greppet om handtaget släpps återgår både gasreglaget och gasreglagespärren till sina respektive ursprungslägen. (Fig. 27)

1. Se till att gasreglaget är låst när gasreglagespärren är i sitt ursprungsläge.

(Fig. 28)

2. Tryck på gasreglaget och se till att det går tillbaka till sitt ursprungliga läge när du släpper det.

(Fig. 29)

3. Kontrollera att gasreglaget och gasreglagespärren rör sig fritt och att deras retur fjädersystem fungerar.

(Fig. 30)

4. Starta produkten. Se *Starta produkten på sida 438*.

5. Släpp gasreglaget och se till att skärutrustningen stannar helt.

Kontrollera skärutrustningens skydd



VARNING: Använd inte skärutrustningen utan ett godkänt skydd som monterats korrekt på skärutrustningen. Använd alltid det rekommenderade skärutrustningsskyddet för den skärutrustning som du använder. Se *Tekniska data på sida 441*. Om fel eller defekt skydd för skärutrustningen monteras, kan det orsaka allvarlig personskada.

Skärutrustningens skydd stoppar föremål som slungas ut mot användaren. Skärutrustningsskyddet förhindrar

även skador som kan inträffa om du vidrör skärutrustningen.

1. Stanna motorn.
2. Kontrollera visuellt om det finns skador, till exempel sprickor.
3. Byt ut skärutrustningen om den är skadad.

Skärutrustning

Välj rätt skärutrustning och utför underhåll på skärutrustningen för att:

- Få maximala skärprestanda.
- Öka livslängden på skärutrustningen.



VARNING: Använd endast skärutrustning tillsammans med det skydd som vi rekommenderar! Uppsök *Tekniska data på sida 441*. Se skärutrustningens anvisningar för korrekt laddning av trimmerlina och val av rätt diameter på trimmerlinan.



VARNING: En defekt skärutrustning kan öka risken för olyckor.

Trimmerhuvud



VARNING: Se alltid till att trimmerlinan lindas hårt och jämnt runt trumman för att förhindra skadliga vibrationer.

(Fig. 31)

- Använd endast rekommenderade trimmerhuvuden och trimmerlinor.
- Använd endast rekommenderade skärutrustningar.
- Mindre maskiner fordrar små trimmerhuvuden och vice versa.
- Trimmerlinans längd är viktig. En längre trimmertråd fordrar större motorstyrka än en kort, vid samma diameter på trimmerträden.
- Se till att den kniv som sitter på trimmerskyddet är intakt. Den används för att skära av trimmerlinan till rätt längd.
- Blötlägg trimmerlinan i vatten ett par dagar före användning för att öka livslängden.

Batterisäkerhet



VARNING: Läs alla säkerhetsanvisningar och allmänna anvisningar. Om du inte följer säkerhetsanvisningar och allmänna anvisningar kan det leda till elektriska stötar, brand och/eller allvarliga skador. **Spara alla säkerhetsanvisningar och allmänna anvisningar för framtida bruk.**

- De här säkerhetsinstruktionerna gäller endast 18 V laddningsbara litiumjonbatterier för POWER FOR ALL-systemet.
- Använd endast det laddningsbara batteriet i produkt från POWER FOR ALL System-partner. 18 V laddningsbara batterier märkta med POWER FOR ALL är helt kompatibla med följande produkter:
 - Alla produkter i 18 V POWER FOR ALL -batterisystemet.
 - Alla 18 V-produkter från POWER FOR ALL System-partner.
- Följ batterirekommendationerna i bruksanvisningen för produkten. Det är bara på så sätt som det laddningsbara batteriet och produkten kan användas utan risk och de laddningsbara batterierna skyddas från farlig överbelastning.
- Ladda endast batterierna med laddare som rekommenderas av tillverkaren eller POWER FOR ALL System-partner. En laddare som är lämplig för en typ av batteri kan utgöra en brandrisk när den används med ett annat batteri.
- Batteriet levereras delvis laddat. För att säkerställa batteriets fulla kapacitet ska du ladda batteriet helt i batteriladdaren innan du använder elverktyget för första gången.
- Förvara batteripacken utom räckhåll för barn.
- Öppna inte batteriet. Det finns risk för kortslutning.
- I händelse av skada eller felaktig användning av batteriet kan det avge ångor. Batteriet kan börja brinna eller explodera. Se till att området är välventilerat och uppsök läkare om du skulle uppleva några biverkningar. Ångorna kan irritera andningsorganen.
- Om batteriet används felaktigt eller om det är skadade kan brandfarlig vätska läcka ut från batteriet. Kontakt med denna vätska bör undvikas. Om kontakt inträffar av misstag ska du skölja med vatten. Om vätskan kommer i kontakt med ögon ska du söka läkarvård. Vätska som sprutar ut från batteriet kan orsaka irritation eller sveda.
- Om batteriet är skadat kan vätska sprutas ut och täcka närliggande ytor. Kontrollera berörda delar. Rengör delarna eller byt dem vid behov.
- Kortslut inte batteripacket. När batteripacket inte används ska du hålla det borta från andra metallföremål, som gem, mynt, nycklar, spikar, skruvar och andra små metallföremål, som kan skapa en anslutning mellan kontaktarna. Kortslutning av batteriets kontakter kan orsaka brännskador eller brand.
- Batteriet kan skadas av spetsiga föremål som spikar och skruvmejslar eller genom externt tryck. En intern kortslutning kan uppstå, vilket kan leda till att batteriet brinner, ryker, exploderar eller överhettas.
- Utför aldrig underhåll på skadade batteripack. Underhåll på batteripack bör endast utföras av tillverkaren eller auktoriserade tjänsteleverantörer.

- Skydda batteriet mot värme, t.ex. mot kontinuerligt starkt solljus, eld, smuts, vatten och fukt. Det finns risk för explosion och kortslutning.
- Använd endast batteriet i produkten när omgivningstemperaturen är mellan -5 °C — 40 °C.
- Förvara endast batteriet i en omgivningstemperatur mellan -20 °C — 50 °C. Lämna exempelvis inte batteriet i bilen på sommaren. Vid temperaturer på < 0 °C kan vissa enheter få effektförlust.
- Ladda endast batteriet vid en omgivningstemperatur på 0 °C — 35 °C. Om laddning sker vid andra temperaturer kan risken för skador på batteriet öka och utgöra en brandfara.

Säkerhet, batteriladdare



VARNING: Läs alla säkerhetsanvisningar och allmänna anvisningar. Om du inte följer säkerhetsanvisningar och allmänna anvisningar kan det leda till elektriska stötar, brand och/eller allvarliga skador. Spara de här instruktionerna på ett säkert ställe. Använd endast laddaren om du kan utvärdera alla funktioner och utföra dem utan begränsningar eller om du har fått motsvarande instruktioner.

- Håll uppsikt över barn under användning, rengöring och underhåll. Se till att barn inte leker med laddaren.
- Ladda endast litiumjonbatterier i POWER FOR ALL-systemet 18 V med en kapacitet på 1,5 Ah eller mer (5 battericeller eller mer). Batterispänningen måste stämma överens med laddarens batteriladdningsspänning. Ladda inte icke laddningsbara batterier. Annars finns det risk för brand och explosion.
- Utsätt inte laddaren för regn eller blöta förhållanden. Om vatten tränger in i elverktyget ökar risken för elektrisk stöt.
- Håll laddaren ren. Smuts utgör en risk för elektriska stötar.
- Kontrollera alltid laddaren, kabeln och kontakten före användning. Sluta använda laddaren om du upptäcker skador. Öppna inte laddaren själv, låt endast en kvalificerad specialist reparera den och endast med originalreservdelar. Skadade laddare, kablar och kontakter ökar risken för elektriska stötar.
- Använd inte laddaren på en lättantändlig yta (t.ex. papper, textilier osv.) eller i en brandfarlig miljö. Det finns risk för brand eftersom laddaren värms upp under drift.
- Ladda endast upp med den laddare som anges av tillverkaren. En laddare som är lämplig för en typ av batteripack kan utgöra en brandrisk när den används med ett annat batteripack.
- I händelse av skada eller felaktig användning av batteriet kan det även avge ångor. Se till att området är välventilerat och uppsök läkare om du skulle

uppleva några biverkningar. Ångorna kan irritera andningsorganen.

- **Vid felaktig användning kan vätska spruta ut från batteriet. Kontakt med denna vätska bör undvikas. Om kontakt inträffar av misstag ska du skölja med vatten. Om vätskan kommer i kontakt med ögon ska du söka läkarvård.** Vätska som sprutar ut från batteriet kan orsaka irritation eller sveda.
- **Täck inte över laddarens ventilationshål.** Annars kan laddaren överhettas och inte längre fungera korrekt.
- **För att undvika säkerhetsrisker måste eventuell byte av strömsladden utföras av Husqvarna eller av ett kundservicecenter som är auktoriserat för att reparera Husqvarnas elverktyg.**
- **Produkter som endast sälj i Storbritannien:** Produkten är utrustad med en BS 1363/A-godkänd stickkontakt med intern säkring (ASTA-godkänd enligt BS 1362). Om kontakten inte är lämplig för dina eluttag, ska den stängas av och en lämplig kontakt monteras på plats av en auktoriserad serviceverkstad. Den nya kontakten ska ha samma säkringsklass som den ursprungliga kontakten. Den borttagna kontakten måste kasseras för att undvika risk för elektriska stötar och får aldrig sättas in i ett vägguttag någon annanstans.



WARNING: Hjärttillstånd! Denna produkt alstrar ett elektromagnetiskt fält under drift. Detta fält kan under vissa omständigheter ge påverkan på aktiva eller passiva medicinska implantat. För att reducera risken för omständigheter som kan leda till allvarliga eller livshotande skador rekommenderar vi därför personer med implantat att rådgöra med läkare samt

tillverkaren av det medicinska implantatet innan denna maskin används.



WARNING: Risk för kvävning! Små delar kan lätt sväljas. Det finns också risk för att plastpåsen kan orsaka kvävning hos små barn. Ha inga små barn i närheten under monteringen.

Säkerhetsinstruktioner för underhåll



WARNING: Läs varningsinstruktionerna nedan innan du utför underhåll på produkten.

- Ta ur batteriet innan du utför underhåll, övriga kontroller eller monterar produkten.
- Användaren får endast utföra underhålls- och servicearbeten som beskrivs i denna bruksanvisning. Vänd dig till en serviceverkstad för underhåll och service av större omfattning.
- Rengör inte batteriet eller batteriladdaren med vatten. Starka rengöringsmedel kan orsaka skador på plasten.
- Om du inte utför underhåll minskas produktens livscykel och risken för olyckor ökar.
- Särskild utbildning krävs för allt service- och reparationsarbete, särskilt för produktens säkerhetsanordningar. Om inte alla kontroller i den här bruksanvisningen är godkända efter att du gjort underhåll ska du kontakta din serviceverkstad. Vi garanterar att det finns professionella reparationer och service tillgängliga för din produkt.
- Använd endast originaltillbehör.

Montering

Introduktion



WARNING: Läs och förstå säkerhetskapitlet innan du monterar produkten.

Fästa trimmerskyddet

1. Placera trimmerskyddet mot motorhuset. (Fig. 32)
2. Montera de 2 bultarna genom motorhöljet och trimmerskyddet. (Fig. 33)
3. Drag fast skruvarna.

Montera trimmerhuvudet

1. Vrid den utgående axeln tills hålet i medbringarhjulet är mitt för hålet i växelhuset.
2. För in kombinationsverktyget i hålet så att riggröret låses.
3. Vrid trimmerhuvudet medurs. (Fig. 34)

Montera växtskyddsbygeln

1. Montera växtskyddsbygeln i hålen på motorhöljet. (Fig. 35)
2. Se till att växtskyddsbygeln kan röra sig fritt framåt och bakåt. (Fig. 36)

Montera kroken på väggen

- Montera kroken inomhus.
- Se till att kroken befinner sig i omgivningstemperaturer från -10 °C till 70 °C grader och att den inte är i direkt solljus.
- Montera kroken på en gips-, trä- eller betongvägg.



OBSERVERA: Se till att väggen klarar en belastning på minst 30 kg.

- Montera kroken på väggen med de 3 skruvarna (A). Använd väggpluggar (B) vid behov. (Fig. 37)



OBSERVERA: Se till att skruvarna passar din väggtyp.

- Kontakta Husqvarna Serviceverkstad om du vill ha information om tillgängliga förvaringstillbehör för din produkt.

Drift

Introduktion



VARNING: Läs och förstå säkerhetskapitlet innan du använder produkten.

Innan du använder produkten

- Undersök arbetsområdet för att se till att du vet vilken typ av terräng det är. Undersök markens lutning och om det finns hinder såsom stenar, grenar och diken.
- Gör en allmän inspektion av produkten.
- Utför säkerhetsinspektioner, underhåll och service enligt den här bruksanvisningen.
- Kontrollera motorn med avseende på smuts och sprickor. Använd en borste för ta bort gräs och löv från motorn. Använd handskar när det är nödvändigt.
- Undersök om trimmerhuvudet och skärutrustningens skydd har skador eller sprickor. Byt ut trimmerhuvudet och skärutrustningens skydd om de har träffats av något eller om de har sprickor.
- Se till att alla skruvar och muttrar är åtdragna.
- Se till att alla kåpor, skydd, handtag och skärutrustning är korrekt anslutna och inte skadade innan du startar produkten.

Batteri



VARNING: Innan du använder batteriet måste du läsa igenom och förstå kapitlet om säkerhet. Du måste också läsa igenom och förstå den bruksanvisning som medföljer batteriet och batteriladdaren.

Förvara batteriet och batteriladdaren i rätt omgivningstemperatur.

	Omgivningstemperatur
Användning av batteriet i produkten	-5 °C — 40 °C
Laddning av batteri	0 °C — 35 °C

Ladda batteriet

Ladda batteriet före första användning.

Notera: Batteriet laddas inte om batteritemperaturen överstiger +35 °C.

1. Anslut batteriladdarens nätsladd till ett jordat vägguttag.



OBSERVERA: Se till att elnätet har rätt spänning och frekvens.

2. Sätt i batteriet i batteriladdaren. Batteriet är anslutet till batteriladdaren när den gröna lysdioden blinkar. (Fig. 38)
3. Batteriet är fulladdat när den gröna lysdioden på batteriladdaren är tänd. Ladda batteriet i högst 24 timmar.
4. Koppla ur batteriladdaren från elnätet.



OBSERVERA: Dra inte i nätsladden.

5. Ta ut batteriet ur batteriladdaren.

Batteristatuslysdiod på batteriladdaren

Den röda lysdioden (A) och den gröna lysdioden (B) på batteriladdaren visar batteristatusen. Se *Lysdiod för batteristatus på produkten på sida 437*.

(Fig. 39)

Lysdiod	Batteristatus
Den gröna lysdioden blinkar snabbt.	Batteriet laddas.
Den gröna lysdioden blinkar långsamt.	Batteriet är 80 % laddat.
Den gröna lysdioden lyser.	Batteriet är fulladdat.
Den röda lysdioden lyser.	Se <i>Lysdiod för batteristatus på produkten på sida 437</i> .
Den röda lysdioden blinkar snabbt.	Se <i>Lysdiod för batteristatus på produkten på sida 437</i> .

Lysdiod för batteristatus på produkten

När batteriet är installerat i produkten visar lysdioderna på produkten batteriets status.

(Fig. 40)

Lysdiod	Batteristatus
Lysdiod 1, 2 och 3 lyser.	Fulladdat.
Lysdiod 1 och 2 lyser.	Tillräckligt laddat
Lysdiod 1 lyser.	Batterinivån är låg.
LED 1 blinkar.	Batteriet är tomt. Batteristatusindikatorn blinkar. Ladda batteriet. Se <i>Ladda batteriet på sida 437</i> .

Ansluta batteriet till produkten



VARNING: Använd endast batteriet med POWER FOR ALL produkter från systemet 18 V.

1. Se till att batteriet är fulladdat.
2. Skjut in batteriet i produktens batterihållare. Batteriet måste gå in lätt i hållaren. Om det inte gör det är det inte korrekt installerat.

(Fig. 41)

3. Batteriet låses på plats när du hör ett klickljud.

Starta produkten

1. Håll ON/OFF-knappen intryckt tills den gröna lysdioden tänds. (Fig. 42)
2. Tryck på gasreglagespärren och gasreglaget. Skärutrustningen börjar rotera.

Justera loophandtaget och det teleskopiska riggröret

1. Tryck på knappen för inställning av loophandtaget.

(Fig. 43)

2. Justera loophandtaget till lämplig vinkel.
3. Släpp knappen för inställning av loophandtaget.
4. Lossa spaken på riggröret. (Fig. 44)
5. Ställ in den nödvändiga längden på riggröret.
6. Stäng spaken och dra åt skruven.

Notera: De två loophandtagslägena på följande bild är endast avsedda för transport och/eller förvaring.

(Fig. 45)

Automatisk avstängningsfunktion

Produkten har en automatisk avstängningsfunktion som stoppar produkten om den inte används. Produkten stängs av efter 3 minuter.

Använda produkten

Klippa gräset

1. Håll trimmerhuvudet strax ovanför marken och luta det. Tryck inte ned trimmerlinan i gräset. (Fig. 46)
2. Minska längden på trimmerlinan med 8–10 cm.

Rensa gräs

1. Håll trimmerhuvudet ovanför marken.
2. Luta trimmerhuvudet.
3. Klipp med trimmerlinans ände runt föremål i arbetsområdet.



OBSERVERA: Klipp gräset. Andra föremål som träffas av trimmerlinan ökar slitaget på trimmerlinan.

Klippa gräset

1. Se till att trimmerlinan är parallell med marken när du klipper gräset. (Fig. 47)
2. Tryck inte ned trimmerhuvudet mot marken. Det kan orsaka skador på produkten.
3. För produkten från sida till sida när du klipper gräset. (Fig. 48)

Sopa gräset

Luftflödet från den roterande trimmerlinan kan användas för att ta bort klippt gräs från ett område.

1. Håll trimmerhuvudet och trimmerlinan parallellt mot och ovanför marken.
2. För trimmerhuvudet från sida till sida och sopa bort gräset.



VARNING: Rengör trimmerhuvudets kåpa varje gång du monterar ny trimmerlina för att förhindra obalans och vibrationer i handtagen. Gör även en kontroll av andra delar av trimmerhuvudet och rengör det vid behov.

Stoppa produkten

1. Släpp gasreglaget och gasreglagespärren.
2. Tryck på ON/OFF-knappen tills den gröna lysdioden slocknar.
3. Tryck på frigöringsknapparna på batteriet och ta ut batteriet från produkten. (Fig. 49)

Så byter du trimmerlinan

Se sista sidan i den här användarhandboken.

Underhåll

Introduktion



VARNING: Läs och förstå säkerhetskapitlet innan du utför underhåll på produkten.

Nedan följer en lista över de underhållssteg som ska utföras på produkten. För mer information, se *Underhåll på sida 439*.

Underhållsschema



VARNING: Ta bort batteriet innan du utför underhåll.

Underhåll	Dagligen	Varje vecka	Varje månad
Rengör produktens yttre delar med en torr trasa. Använd inte vatten.	X		
Se till att start-/stopppknappen fungerar som den ska och inte är defekt.	X		
Kontrollera att gasreglaget och gasreglagespärren fungerar korrekt säkerhetsmässigt.	X		
Se till att samtliga kontroller fungerar och inte är skadade.	X		
Håll handtagen torra, rena och fria från olja och fett.	X		
Se till att skärutrustningen inte är skadad. Byt ut skärutrustningen om den är skadad.	X		
Se till att skärutrustningens skydd inte är skadad. Byt ut skärutrustningen om den är skadad.	X		
Se till att skruvar och muttrar är åtdragna.	X		
Se till att frigöringsknapparna på batteriet fungerar och låser fast batteriet i produkten.	X		
Kontrollera att batteriladdaren fungerar korrekt och inte är skadad.	X		
Se till att batteriet inte är skadat.	X		
Se till att batteriet är laddat.	X		
Se till att batteriladdaren inte är skadad.	X		
Undersök alla kablar, kopplingar och anslutningar. Se till att de inte är skadade eller smutsiga.		X	
Kontrollera anslutningarna mellan batteriet och produkten. Kontrollera anslutningen mellan batteriet och batteriladdaren.			X

Undersöka batteriet och batteriladdaren

1. Undersök om batteriet har skador, till exempel sprickor.
2. Undersök om batteriladdaren har skador, till exempel sprickor.
3. Kontrollera att anslutningssladden till batteriladdaren är oskadad och att inga sprickor finns.

Rengöra produkten, batteriet och batteriladdaren

1. Rengör produkten med en torr trasa efter användning.
2. Rengör batteriet och batteriladdaren med en torr trasa. Håll batteriets styrspår rena.

- Kontrollera att kontakterna på batteriet och batteriladdaren är rena innan batteriet sätts i batteriladdaren eller i produkten.
- För in kombinationsverktyget i hålet så att riggröret låses.

Inspektera och byta ut trimmerhuvudet

- Kontrollera om trimmerhuvudet har skador eller sprickor.
- Vrid den utgående axeln tills hålet i medbringarhjulet är mitt för hålet i växelhuset.
- Vrid trimmerhuvudet moturs.
(Fig. 50)
- Byt ut trimmerhuvudet.
- Montera trimmerhuvudet. Se *Montera trimmerhuvudet på sida 436*.

Felsökning

Användargränssnitt

Problem	Eventuella fel	Möjlig lösning
Grön startlysdiod blinkar.	Låg batterispänning.	Ladda batteriet.
Röd lysdiod för fel blinkar.	Överbelastning.	Skärutrustningen kan inte röra sig fritt. Frigör skärutrustningen.
	Temperaturavvikelse.	Låt produkten svalna.
	Gasreglaget och startknappen trycks ned samtidigt.	Släpp gasreglaget och tryck på startknappen.
Grön lysdiod och röd lysdiod blinkar växelvis.	Batteriet är tomt.	Ladda batteriet.
	Batteriet är skadat.	Vänd dig till en serviceverkstad.

Batteriladdare

Lysdiod på batteriladdaren	Orsak	Lösning
Grön lysdiod lyser och röd lysdiod blinkar.	Batteriet är inte korrekt monterat i batteriladdaren.	Ta bort batteriet från laddaren och sätt i batteriet i batteriladdaren igen.
	Batterikontakterna är smutsiga.	Rengör batterikontakterna.
	Omgivningstemperaturen är för hög eller för låg.	Använd batteriladdaren i temperaturer mellan 0 °C och +35 °C.
	Batteriet är defekt.	Byt batteri.
Grön lysdiod och röd lysdiod är släckta.	Batteriladdaren är inte korrekt ansluten till nätuttaget.	Anslut batteriladdaren till ett nätuttag.
	Fel på nätspänningsuttaget.	Anslut batteriladdaren till den spänning och frekvens som anges på typskylten.
	Batteriladdarens kabel är defekt.	Tala med en godkänd serviceverkstad.
	Batteriladdaren är defekt.	

Lysdiod på batteriladdaren	Orsak	Lösning
Andra fel.	Om andra fel uppstår kontrollerar du att produkten är av, tar bort batteriet och kontaktar en godkänd serviceverkstad.	

Transport, förvaring och kassering

Transport och förvaring

- Medföljande Li-Ion-batterier uppfyller kraven i lagstiftningen för farligt gods.
- Följ de särskilda kraven för förpackning och etiketter för kommersiella transporter, inklusive av tredje parter och speditörer.
- Tala med en person med särskild utbildning i farliga material innan du skickar produkten. Följ alla tillämpliga nationella föreskrifter.
- Använd tejp på öppna kontakter när du lägger batteriet i en förpackning. Lägg batteriet trångt i förpackningen för att förhindra rörelse.
- Ta ur batteriet vid förvaring eller transport.
- Placera batteriet och batteriladdaren i ett utrymme som är torrt och fritt från fukt och frost.
- Förvara inte batteriet på ställen där statisk elektricitet kan uppkomma. Förvara inte batteriet i en metallåda.
- Förvara batteriet på en plats där temperaturen är mellan -20 och $+50$ °C, och inte i direkt solljus.
- Förvara batteriladdaren på en plats där temperaturen är mellan 5 och 45 °C, och inte i direkt solljus.
- Förvara produkten på en plats där temperaturen är mellan -40 och $+60$ °C.
- Använd endast batteriladdaren när omgivningstemperaturen är mellan 0 och 35 °C.
- Ladda batteriet till 30 – 50 % innan du förvarar det under längre perioder.
- Förvara batteriladdaren på en plats som är stängd och torr.

- Håll batteriet borta från laddaren under förvaring. Låt inte barn och personer som inte är godkända röra utrustningen. Förvara utrustningen på en plats som du kan låsa.
- Rengör produkten och gör en fullständig service innan du ska förvara produkten under en längre tid.
- Använd transportskydd på produkten för att förhindra personskador eller skador på produkten under transport och förvaring.
- Sätt fast produkten under transport.
- Förvara produkten horisontellt eller häng den på den medföljande kroken. Se *Montera kroken på väggen på sida 436*.

(Fig. 51)

Avyttring av batteriet, laddaren och produkten

Symbolen nedan innebär att produkten inte är hushållsavfall. Återvinn den vid en återvinningsstation för elektrisk och elektronisk utrustning. Detta bidrar till att förhindra skador på miljön och personskador.

Tala med lokala myndigheter, hushållsavfallsservice eller en återförsäljare för mer information.

(Fig. 18)

Notera: Symbolen visas på produkten eller produktens förpackning.

Tekniska data

Tekniska data

	Aspire T28-P4A
Motor	
Motortyp	PMDC
Varvtal på utgående axel, varv/min	6 800
Klippbredd, mm	280
Vikt	
Vikt utan batteri, kg	2,6

	Aspire T28-P4A
Vikt med batteri (P4A 18-B45 / P4A 18-B70), kg	3,0/3,3
Bulleremission ⁶⁴	
Ljudeffektnivå, uppmätt dB(A)	85
Ljudeffektnivå, garanterad L _{WA} dB(A)	88
Bullelnivåer ⁶⁵	
Ekvivalent ljudtrycksnivå vid användarens öra, uppmätt enligt EN ISO 50636-2-91, dB (A)	73
Vibrationsnivåer ⁶⁶	
Vibrationsnivåer i handtag, uppmätt enligt EN50636-2-91, m/s ²	2,26/1,61
Utrustad med trimmerhuvud (original), fram / bak.	

Batteri	P4A 18-B45	P4A 18-B72
Typ	Litiumjonbatteri	Litiumjonbatteri
Batterikapacitet, Ah	Se batteritypskylten	Se batteritypskylten
Nominell spänning, V	18	18
Vikt, kg	0,4	0,7

Batteriladdare	P4A 18-C70
Nätspänning, V	220–240
Frekvens, Hz	50–60
Effekt, W	70
Utspänning, V d. c./ Ampere, A	14,4-18/3

⁶⁴ Bulleremission till omgivningen uppmätt som ljudeffekt (L_{WA}) enligt EG-direktiv 2000/14/EG. Skillnaden mellan garanterad och uppmätt ljudeffekt är att den garanterade ljudeffekten också inkluderar spridning i mätresultatet och variationen mellan olika produkter av samma modell enligt direktiv 2000/14/EG.

⁶⁵ Rapporterade data för ekvivalent ljudtrycksnivå för produkten har en typisk statistisk spridning (standardavvikelse) på 3 dB(A).

⁶⁶ Rapporterade data för vibrationsnivå har en typisk statistisk spridning (standardavvikelse) på 1,0 m/s².

Tillbehör

Godkända tillbehör

Godkända tillbehör	Typ	Skärutrustningskydd, artikelnr.
Trimmerhuvud	A15B M6 (Ø 1,5 mm lina)	536 47 32-01

Försäkran om överensstämmelse

EU-försäkran om överensstämmelse

Vi, **Husqvarna AB**, 561 82 Huskvarna, Sverige, tel:
+46-36-146500, försäkrar på eget ansvar att produkten:

Beskrivning	Batteridrivna grässtrimmer
Varumärke	Husqvarna
Typ/Modell	Aspire T28-P4A
Identifiering	Serienummer daterade 2023 och framåt

uppfyller alla krav i följande EU-direktiv och förordningar:

Direktiv/förordning	Beskrivning
2006/42/EG	"om maskiner"
2014/30/EU	"angående elektromagnetisk kompatibilitet"
2000/14/EC	"angående emission av buller till omgivningen"
2011/65/EU	"angående begränsning av användning av vissa farliga ämnen i elektrisk och elektronisk utrustning"

och att följande standarder och/eller tekniska specifikationer tillämpas: EN 60335-1:2012/A15:2021, EN 50636-2-91:2014, EN IEC 63000:2018, EN IEC 55014-1:2021; EN IEC 55014-2:2021.

Anmält organ: 0158 DEKRA Testing and Certification GmbH, Handwerkstraße 15, 70565 Stuttgart, Germany har intygat överensstämmelse med rådets direktiv 2000/14/EG, procedur för utvärdering av överensstämmelse: bilaga VI.

Information om bulleremissioner finns i *Tekniska data på sida 441*.

Huskvarna, 2023-12-14



Claes Losdal, R&D Manager, Husqvarna AB

Ansvarig för teknisk dokumentation



Licenser

Copyright © 2012–2020 STMicroelectronics

Garantin omfattar inte defekter som är resultatet av normalt slitage, felaktig användning, världsloshet, obehörig reparation eller att sugapparaten är ansluten till fel spänning.

Alla rättigheter förbehålls.

Vidaredistribution och användning i källform och binär form, med eller utan modifiering, är tillåtet under förutsättning att följande villkor är uppfyllda:

- Vid vidaredistribution av källkod måste ovanstående upphovsrättsmeddelande, denna lista med villkor och följande ansvarsfriskrivning inkluderas.
- Vidaredistribution i binär form måste återge ovanstående upphovsrättsmeddelande, denna lista med villkor och följande ansvarsfriskrivning i dokumentationen eller annat material som medföljer distributionen.
- Varken namnet STMicroelectronics eller namnen på de som bidragit med innehåll får användas för att rekommendera eller marknadsföra produkter som härleds från denna programvara utan särskilt föregående skriftligt tillstånd.

PROGRAMVARAN TILLHANDAHÅLLS AV UPPHOVSRÄTTSSINNEHAVARNA OCH DELTAGARNA "I BEFINTLIGT SKICK" OCH VI AVSÄGER OSS ALLA UTTRYCKLIGA ELLER UNDERFÖRSTÅDDA GARANTIER, INKLUSIVE, MEN EJ BEGRÄNSAT TILL, DE UNDERFÖRSTÅDDA GARANTIerna OM SÄLJBARHET OCH LÄMPLIGHET FÖR ETT VISST ÄNDAMÅL. UPPHOVSRÄTTSSÄGARNA OCH DELTAGARNA SKA INTE UNDER NÅGRA OMSTÄNDIGHETER HÅLLAS ANSVARIGA FÖR DIREKTA, INDIREKTA, TILLFÄLLIGA, SPECIELLA OCH EXEMPLARISKA SKADOR ELLER FÖLJDSKADOR (INKLUSIVE, MEN INTE BEGRÄNSAT TILL, INKÖP AV ERSÄTTNINGSPRODUKTER ELLER -TJÄNSTER, FÖRLUST AV ANVÄNDNINGSMÖJLIGHET, DATA ELLER VINST, ELLER AVBROTT I VERKSAMHETEN) OAVSETT ORSAK OCH ANSVARSGRUND, OCH OAVSETT OM DET SKER INOMKONTRAKTUellt, UTOMKONTRAKTUellt ELLER UNDER STRIKT ANSVAR (INKLUSIVE FÖRSMELLE ELSE ELLER ANNAT), SOM UPPSTÅR GENOM ANVÄNDNING AV DENNA PROGRAMVARA, ÄVEN OM DET MEDDELATS OM RISKEN FÖR SÅDANA SKADOR.

Apache 2.0-licens

Copyright © 2009-2019 Arm Limited. Alla rättigheter förbehålls.

Version 2.0, januari 2004 <http://www.apache.org/licenses/>

VILLKOR FÖR ANVÄNDNING, KOPIERING OCH DISTRIBUTION

1. Definitioner.

"Licens" avser villkoren för användning, kopiering och distribution enligt definitionen i avsnitt 1 till 9 i detta dokument. **"Licensgivare"** avser upphovsrättsinnehavaren eller den juridiska person som fått behörighet av upphovsrättsinnehavaren som beviljar licensen. **"Juridisk enhet"** avser den verkställande enheten tillsammans med alla andra enheter som styr, styrs av eller har gemensamt styre med den enheten. I detta sammanhang innebär **"styrning"** (i) inflytande, direkt eller indirekt, att styra eller leda sådan enhet, oavsett om det sker inom ramen för ett kontrakt eller på annat sätt, eller (ii) ägande av femtio procent (50 %) eller mer av utestående aktier, eller (iii) verkligt ägande av sådan enhet. **"Du"** (eller **"Din"**) avser en fysisk person eller juridisk enhet som utövar de behörigheter som beviljas i denna licens. **"Källform"** avser den föredragna formen för att göra ändringar, inklusive men inte begränsat till programvarukällkod, dokumentationskälla och konfigurationsfiler. **"Objektform"** avser alla former som uppstår genom mekanisk omvandling eller översättning av en källform, inklusive men inte begränsat till kompilerad objektkod, genererad dokumentation och konverteringar till andra medietyper. **"Verk"** avser ett upphovsrättsligt verk, oavsett om det är i käll- eller objektform, som görs tillgängligt genom licensen, enligt vad som anges i ett meddelande om upphovsrätt som ingår i eller är kopplat till verket (ett exempel ges i bilagan nedan). **"Härledda verk"** avser alla verk, oavsett om det är i käll- eller objektform, som baseras på (eller härleds från) Verket, och för vilket de redaktionella revideringarna, noteringarna, utarbetningarna eller andra ändringar i sin helhet utgör ett upphovsrättsligt originalverk. I denna Licens omfattas inte Härledda verk av verk som kan särskiljas från eller bara länkar till (eller kopplar med hjälp av namn) gränssnittet för Verket och därav Härledda verk. **"Bidrag"** avser alla upphovsrättsliga verk, inklusive originalversionen av Verket och eventuella ändringar eller tillägg till detta Verk eller därav Härledda verk, som avsiktligt lämnas till Licensgivaren för att införlivas i Verket av upphovsrättsinnehavaren eller av en fysisk person eller juridisk enhet som är behörig att lämna in uppgifter i upphovsrättsinnehavarens ställe. Enligt denna definition innebär **"inlämnad"** all form av elektronisk, verbal eller skriftlig kommunikation som skickas till Licensgivaren eller dess representanter, inklusive men inte begränsat till kommunikation via elektroniska e-postlistor, kontrollsystem för källkod och system för ärendeuppföljning som hanteras av, eller hanteras på uppdrag av, Licensgivaren i syfte att diskutera och förbättra Verket, men där kommunikation som är tydligt markerad eller på annat sätt är skriftligen betecknad av upphovsrättsinnehavaren som **"Ej bidrag"** exkluderas. **"Deltagare"** avser Licensgivaren och alla personer eller juridiska enheter för vilkas räkning ett

Bidrag har mottagits av Licensgivaren och därefter införlivats i Verket.

2. Beviljande av upphovsrättslicens.

I enlighet med villkoren i denna Licens beviljar varje Deltagare dig härmed en oavbruten, global, icke-exklusiv, avgiftsfri, royaltyfri och oåterkallelig upphovsrättslicens att kopiera, förbereda Härledda verk av, offentligt visa, offentligt utföra, underlicensiera och distribuera Verket och sådana Härledda verk i käll- eller objektform.

3. Beviljande av patentlicens.

I enlighet med villkoren i denna Licens beviljar varje Deltagare dig härmed en oavbruten, global, icke-exklusiv, avgiftsfri, royaltyfri och oåterkallelig (förutom enligt vad som anges i detta avsnitt) patentlicens att skapa, låta skapa, använda, erbjuda till försäljning, sälja, importera och på annat sätt överföra Verket, där sådan licens endast gäller de patentanspråk som är licensierbara av sådan Deltagare som gör intrång genom själva Bidragen eller genom en kombination av Bidragen med det Verk till vilket sådana Bidrag lämnades in. Om du inleder en patentvist mot någon fysisk eller juridisk person (inklusive ett så kallat "cross-claim" eller motkrav i en rättsprocess) och hävdar att Verket eller ett Bidrag som ingår i Verket utgör direkt eller bidragande patentintrång, upphör eventuella patentlicenser som beviljats dig enligt denna Licens för det Verket från och med det datum då en sådan patentvist lämnas in.

4. Vidaredistribution.

Du får reproducera och distribuera kopior av Verket eller därav Härledda verk i valfritt medium, med eller utan ändringar, samt i käll- eller objektform, under förutsättning att du uppfyller följande villkor:

- Du måste ge alla andra mottagare av Verket eller Härledda verk en kopia av denna Licens; och
- Du måste se till att ändrade filer innehåller tydlig information om att Du har ändrat filerna; och – Du måste behålla, i källform av varje Härlett verk som Du distribuerar, alla meddelanden om upphovsrätt, patent, varumärken och erkännande från källformen av Verket, förutom de meddelanden som inte tillhör någon del av de Härledda verken; och
- Om Verket innehåller en textfil för "**MEDDELANDE**" som del av distributionen måste samtliga Härledda verk som Du distribuerar inkludera en läsbar kopia av de erkännandemeddelanden som inryms i en sådan MEDDELANDE-fil, med undantag för de meddelanden som inte tillhör någon del av de Härledda verken, på minst en av följande platser: i en MEDDELANDE-textfil som distribueras som en del av det Härledda verket; inom källformen eller dokumentationen, om sådan tillhandahålls tillsammans med de Härledda verken; eller, i en display som genereras av det Härledda verket, om och varhelst sådana tredjepartsmeddelanden vanligen visas. Innehållet

i MEDDELANDE-filen är endast avsett som information och ändrar inte Licensen. Du kan lägga till egna erkännandemeddelanden inom Härledda verk som du distribuerar, tillsammans med eller som ett tillägg till MEDDELANDE-texten från Verket, under förutsättning att sådana ytterligare erkännandemeddelanden inte kan tolkas som en ändring av Licensen. Du kan lägga till ditt eget upphovsrättsmeddelande till dina ändringar och tillhandahålla fler eller annorlunda licensvillkor för användning, kopiering eller distribution av dina ändringar, eller för sådana Härledda verk i sin helhet, under förutsättning att din användning, kopiering och distribution av Verket i övrigt uppfyller de villkor som anges i denna Licens.

5. Inlämning av Bidrag.

Såvida Du inte uttryckligen anger något annat ska alla Bidrag som avsiktligt lämnats in av dig till Licensgivaren för att ingå i Verket hanteras enligt villkoren i denna Licens, utan några ytterligare villkor. Oaktat ovanstående ska ingenting häri ersätta eller ändra villkoren i något separat licensavtal som du kan ha ingått med Licensgivaren gällande sådana Bidrag.

6. Varumärken.

Denna Licens ger inte tillåtelse att använda Licensgivarens firmanamn, varumärken, servicemärken eller produktamn, förutom vad som krävs för rimlig och normal användning för att beskriva Verkets ursprung och återge innehållet i MEDDELANDE-filen.

7. Garantifriskrivning.

Såvida det inte krävs enligt gällande lag eller har överenskommit skriftligen tillhandahåller Licensgivaren Verket (och varje Deltagare tillhandahåller sina Bidrag) "I BEFINTLIGT SKICK", UTAN NÅGRA SOM HELST GARANTIER ELLER VILLKOR, varken uttryckliga eller underförstådda, inklusive och utan begränsning, alla garantier eller villkor för ÅGANDERÄTT, SKYDD MOT INTRÅNG, SÄLJBARHET eller LÄMPLIGHET FÖR ETT VISST SYFTE. Du är ensam ansvarig för att bedöma lämpligheten i att använda eller vidaredistribuera Verket och åtar dig alla risker som är förknippade med ditt nyttjande av tillstånd i enlighet med denna Licens.

8. Ansvarsbegränsning. Deltagare ska under inga omständigheter, och inte enligt någon rättsteori, oavsett om det sker utomkontraktuellt (inklusive försumlighet), inomkontraktuellt, eller på annat sätt, såvida det inte krävs enligt tillämplig lag (såsom avsiktliga och grovt vårdslösa handlingar) eller skriftligen har avtalats, vara ansvarig gentemot Dig för skador, inklusive direkta, indirekta, speciella eller tillfälliga skador eller följdskador av något slag som uppstår till följd av denna Licens eller på grund av användning eller oförmåga att använda Verket (inklusive men inte begränsat till ersättning för förlust av goodwill, arbetsavbrott, datorfel eller funktionsfel, eller alla övriga kommersiella skador eller

förluster), även om denna Deltagare har meddelats om möjligheten att sådana skador uppstår.

9. Acceptera garanti eller ytterligare ansvar.

Vid vidaredistribution av Verket eller därav Härledda verk kan Du välja att erbjuda, och debitera en avgift för, accepterade av support, garanti, skadeersättning eller andra ansvarsskyldigheter och/eller rättigheter som överensstämmer med denna Licens. När Du accepterar

sådana skyldigheter får Du dock endast agera för din egen räkning och på ditt eget ansvar, och inte agera för någon annan Deltagare, och endast om Du samtycker till att gottgöra, försvara och hålla varje Deltagare skadeslös för juridiskt ansvar som åläggs, eller anspråk som framställs mot, sådan Deltagare på grund av att Du accepterat en sådan garanti eller ytterligare förpliktelse. SLUT PÅ VILLKOR

İçindekiler

Giriş.....	447	Taşıma, depolama ve atma.....	460
Güvenlik.....	449	Teknik veriler.....	460
Montaj.....	455	Aksesuarlar.....	462
Çalışma.....	456	Uyumluluk Bildirimi.....	463
Bakım.....	458	Lisanslar.....	464
Sorun giderme.....	459	Ek	507

Giriş

Ürün açıklaması

Husqvarna Aspire T28-P4A, elektrikli motoru bulunan bir akülü çim budayıcıdır.

Kullanım sırasında güvenliğinizi ve verimliliği artırmak için sürekli olarak çalışmalar yapılmaktadır. Daha fazla bilgi için lütfen servis bayinizle görüşün.

Kullanım amacı

Ürün, çimleri kesmek için bir misina kafa ile birlikte kullanılır. Ürünü çim budama ve çim temizleme işleri dışında kullanmayın.

Ürüne genel bakış

(Şek. 1)

1. Misina kafa
2. Kesme ataşmanı siperliği
3. Bitki siperliği
4. Mil ayarlama (teleskopik)
5. Mil
6. Yarım daire şeklindeki tutma yeri
7. Bakım kapağı
8. Yarım daire şeklindeki tutma yeri ayar düğmesi
9. Kullanıcı arayüzü
10. Uyarı göstergesi
11. Şarj durumu göstergesi
12. Açma/kapatma düğmesi
13. Güç tetiği
14. Güç tetiği kilidi
15. Akü (P4A 18-B45)
16. Akü çıkarma düğmesi
17. Akü (P4A 18-B72)

Not: Ulusal düzenlemeler ürünün kullanımını kısıtlayabilir.

Çabuk kurulum kılavuzu

Ürünün nasıl kullanılacağına dair bilgiler için QR kodunu tarayın.

(Şek. 20)

18. Akü Şarj Cihazı (P4A 18-C70)

19. Konektör

20. Güç açma ve uyarı göstergesi

21. Kombine alet

22. Duvar kancası

23. Duvar kancası vidaları ve dübelleri

24. Kullanım kılavuzu

Ürün üzerindeki semboller

(Şek. 2) UYARI: Bu ürün, tehlikeli olabilir ve operatör ya da başkaları açısından ciddi yaralanmalara veya ölüme neden olabilir. Dikkatli olun ve ürünü doğru kullanın.

(Şek. 3) Kullanım kılavuzunu dikkatle okuyun ve kullanımdan önce talimatları anladığınızdan emin olun.

(Şek. 4) Koruyucu gözlük kullanın.

- (Şek. 5) Yağmura maruz bırakmayın.
- (Şek. 6) AB ve BK direktifleri ile düzenlemeleri ve Yeni Güney Galler mevzuatı Çevre Koruma Operasyonları (Gürültü Kontrolü) Yönetmeliği 2017 uyarınca çevreye yayılan gürültü emisyonları etiketi. Ürünün garantili ses gücü düzeyi *Teknik veriler sayfa: 460.*
- (Şek. 7) Bakımdan önce akünün bağlantısını kesin.
- (Şek. 8) Ürün ya da ürünün ambalajı evsel atık değildir. Ürünü, elektrikli ve elektronik ekipmanlar için bir geri dönüşüm istasyonunda geri dönüştürün.
- (Şek. 9) Fırlayan nesnelere karşı dikkatli olun.
- (Şek. 10) Metal bıçaklar kullanmayın.
- (Şek. 11) Ürün, yürürlükteki AB direktiflerine uygundur.
- (Şek. 12) Ürün yürürlükteki Birleşik Krallık direktiflerine uygundur.
- (Şek. 13) Doğru akım.
- (Şek. 17) Makine ile yakındaki kişiler arasında en az 15 m (50 ft) mesafe olmalıdır.

yayılan gürültü emisyonları. Gürültü emisyonu verileri makine etiketinde ve Teknik veriler bölümünde bulunabilir.

- (Şek. 7) Bakımdan önce akünün bağlantısını kesin.
- (Şek. 8) Ürün ya da ürünün ambalajı evsel atık değildir. Ürünü, elektrikli ve elektronik ekipmanlar için bir geri dönüşüm istasyonunda geri dönüştürün.
- (Şek. 9) Fırlayan nesnelere karşı dikkatli olun.
- (Şek. 10) Metal bıçaklar kullanmayın.
- (Şek. 11) Ürün, yürürlükteki AB direktiflerine uygundur.
- (Şek. 13) Doğru akım.
- (Şek. 17) Makine ile yakındaki kişiler arasında en az 15 m (50 ft) mesafe olmalıdır.

yyyyhhxxxx

Nominal değerler plakası veya lazer baskı, seri numarasını gösterir. **yyyy** üretim yılı, **hh** ise üretim haftasıdır.

Akü ve/veya akü şarj cihazı üzerindeki semboller

yyyyhhxxxx

Nominal değerler plakası veya lazer baskı, seri numarasını gösterir. **yyyy** üretim yılı, **hh** ise üretim haftasıdır.

Bu ürünü, elektrikli ve elektronik ekipmanlar için bir geri dönüşüm istasyonunda geri dönüştürün. (Sadece Avrupa için geçerlidir)

Ürün üzerindeki semboller

- (Şek. 2) UYARI: Bu ürün, tehlikeli olabilir ve operatör ya da başkaları açısından ciddi yaralanmalara veya ölüme neden olabilir. Dikkatli olun ve ürünü doğru kullanın.
- (Şek. 3) Kullanım kılavuzunu dikkatle okuyun ve kullanımdan önce talimatları anladığınızdan emin olun.
- (Şek. 4) Koruyucu gözlük kullanın.
- (Şek. 5) Yağmura maruz bırakmayın.
- (Şek. 6) AB (Yeni Güney Galler mevzuatı da dahil olmak üzere) ve Birleşik Krallık direktifleri ve düzenlemeleri uyarınca çevreye yayılan gürültü emisyonları etiketi. Ürünün garantili ses gücü düzeyi *Teknik veriler sayfa: 460.*
- (Şek. 7) Bakımdan önce akünün bağlantısını kesin.
- (Şek. 8) Ürün ya da ürünün ambalajı evsel atık değildir. Ürünü, elektrikli ve elektronik ekipmanlar için bir geri dönüşüm istasyonunda geri dönüştürün.
- (Şek. 9) Fırlayan nesnelere karşı dikkatli olun.
- (Şek. 10) Metal bıçaklar kullanmayın.
- (Şek. 11) Ürün, yürürlükteki AB direktiflerine uygundur.
- (Şek. 12) Ürün yürürlükteki Birleşik Krallık direktiflerine uygundur.
- (Şek. 13) Doğru akım.
- (Şek. 17) Makine ile yakındaki kişiler arasında en az 15 m (50 ft) mesafe olmalıdır.
- (Şek. 18) Bu ürünü, elektrikli ve elektronik ekipmanlar için bir geri dönüşüm istasyonunda geri dönüştürün. (Sadece Avrupa için geçerlidir)
- (Şek. 19) Aküyü yalnızca POWER FOR ALL Sistem ortaklarının ürünlerinde kullanın.
- (Şek. 14) Arıza emniyetli güç kaynağı ünitesi.
- (Şek. 15) Akü şarj cihazını sadece kapalı mekanlarda kullanın ve saklayın.
- (Şek. 16) Çift yalıtım.

Üründe oluşabilecek hasarlar

Aşağıdaki durumlarda ürünümüzde oluşabilecek hasarlardan sorumlu olmayız:

- ürünün hatalı bir şekilde onarılması,

- ürünün, üretici tarafından onaylanmayan veya üreticiden alınmayan parçalarla tamir edilmesi,
- üründe, üreticiden alınmayan veya üretici tarafından onaylanmayan bir aksesuar bulunması,
- ürünün, onaylı bir servis merkezinde veya yetkili bir kurum tarafından tamir edilmemesi.

Üretici

Husqvarna AB

SE-561 82, Huskvarna, Sweden

Güvenlik

Güvenlik tanımları

Kılavuzdaki önemli kısımları vurgulamak için uyarılar ve notlar kullanılmıştır.



UYARI: Kılavuzdaki talimatlara uyulmadığı takdirde operatör veya çevredeki kişiler için ciddi yaralanma veya ölüm tehlikesi varsa kullanılır.



DİKKAT: Kılavuzdaki talimatlara uyulmadığı takdirde ürünün, diğer malzemelerin veya çevrenin zarar görme riski olduğunda kullanılır.

Not: Belirli bir durumda bilgi verilmesi gerektiğinde kullanılır.

Genel elektrikli alet güvenlik uyarıları



UYARI: Tüm güvenlik uyarılarını ve talimatları okuyun. Uyarılar ve talimatların göz ardı edilmesi elektrik çarpmasına, yangına ve/veya ciddi yaralanmaya neden olabilir.

Not: Tüm uyarı ve talimatları ilerde başvurmak üzere saklayın. Uyarılardaki "elektrikli alet" ifadesi, şebeke akımıyla çalışan (kablolu) elektrikli aletinizi veya aküyle çalışan (kablosuz) elektrikli aletinizi belirtmektedir.

Çalıştırmadan önce kontrol edin

- Ürünün kazara çalışmasını önlemek için mutlaka aküyü çıkarın. Ürünün üzerinde yapılacak her türlü bakımdan önce mutlaka aküyü çıkarın.
- Ürünü kullanmadan önce ve herhangi bir darbe sonrasında, yıpranma veya hasar bakımından kontrol edin ve gereken şekilde onarın.
- Çalışma alanını inceleyin. Taş, kırık cam, çivi, çelik tel, ip vb. fırlatabilecek veya kesiciye ya da kesici siperliğine dolaşabilecek tüm sabit olmayan nesnelere kaldırın.
- Motorda kir veya çatlak olup olmadığını kontrol edin. Bir fırça kullanarak motordaki çim ve yaprakları temizleyin. Gerekli olduğunda eldiven takılmalıdır.

- Misina kafanın budayıcıya tam olarak bağlanmış olduğunu kontrol edin.
- Ürünün mükemmel çalışır durumda olup olmadığını kontrol edin. Tüm somunların ve vidaların sıkı olup olmadığını kontrol edin.
- Misina kafanın ve biçme siperliğinin hasarsız ve sağlam olduğunu kontrol edin. Darbe almış veya çatlakmış misina kafayı veya biçme siperliğini değiştirin. Daima, kullandığınız kesme ataşmanı için önerilen siperliği kullanın. Teknik verilere ilişkin bölüme bakın.
- Ürünün operatörü, çalışma sırasında 15 metre yakınında insan veya hayvan bulunmadığından emin olmalıdır. Aynı çalışma alanında birkaç operatör çalıştığında güvenli mesafe en az 15 metre olmalıdır.
- Kullanmadan önce ürünü genel olarak kontrol edin. Bakım takvimini inceleyin.
- Kullanım ulusal veya yerel yönetmelikler tarafından düzenlenebilir. Belirlenmiş yönetmeliklere uyun.

Çalışma alanı güvenliği

- Çalışma alanını temiz ve iyi aydınlatılmış tutun. Kalabalık veya karanlık alanlar kazalara neden olabilir.
- Elektrikli aletleri yanıcı sıvıların, gazların veya tozların bulunduğu patlayıcı ortamlarda çalıştırmayın. Elektrikli aletler, toz veya gazı ateşleyebilecek kıvılcımlar çıkarır.
- Elektrikli aletleri kullanırken çocukları ve yanınızdakileri uzakta tutun. Dikkatinizin dağılması, kontrolü kaybetmenize neden olabilir.

Elektrik güvenliği

- Elektrikli aletlerin fişleri prize uygun olmalıdır. Hiçbir zaman fişler üzerinde herhangi bir değişiklik yapmayın. Topraklı elektrikli aletlerle herhangi bir adaptör fiş kullanmayın. Değiştirilmemiş fişler ve uygun prizler, elektrik çarpması riskini azaltır.
- Boru, radyatör, fırın, buzdolabı gibi topraklı yüzeylerle vücut temasından kaçının. Vücudunuz topraklı ise elektrik çarpması riski artar.
- Elektrikli aletleri yağmura veya ıslak koşullara maruz bırakmayın. Elektrikli aletlere içine giren su, elektrik çarpması riskini artırır.
- Kabloyu kötü kullanmayın. Kabloyu asla elektrikli aleti taşımak, çekmek veya fişini çıkarmak için kullanmayın. Kabloyu ısıdan, yağdan, keskin kenarlardan veya hareketli parçalardan uzakta tutun. Hasar görmüş veya dolaşmış kablolar, elektrik çarpması riskini artırır.

- **Elektrikli aleti dış mekanda çalıştırırken dış mekan kullanımına uygun bir uzatma kablosu kullanın.** Dış mekan için uygun bir kordon kullanmak, elektrik çarpması riskini azaltır.
- **Elektrikli aleti mutlaka nemli bir ortamda çalıştırmazın** gerekirse artık akım cihazı (RCD) korumalı bir güç kaynağı kullanın. RCD kullanmak elektrik şoku riskini azaltır.

Kişisel güvenlik

- **Elektrikli aletleri kullanırken dikkatinizi yaptığınız işe verin ve sağduyulu olun.** Yorgunken veya uyuşturucu, alkol ya da ilaç etkisi altındayken elektrikli aletleri kullanmayın. Elektrikli alet kullanırken bir anlık bir dikkatsizlik, ciddi yaralanmaya neden olabilir.
- **Kişisel koruyucu araçlar kullanın. Daima koruyucu gözlük takın.** Uygun durumlarda toz maskesi, kaymayan güvenlik ayakkabıları, çelik başlık veya kulak koruma ekipmanı gibi koruyucu ekipman kullanımı yaralanmaları azaltır.
- **Makinenin kendiliğinden çalışmasını önleyin. Güç kaynağına ve/veya akü grubuna bağlamadan, aracı kaldırmadan veya taşımadan önce anahtarın KAPALI konumda olduğundan emin olun.** Elektrikli aletleri parmağınız çalıştırma düğmesindeyken taşımak veya açık elektrikli aletlere enerji vermek kazalara davetiye çıkarır.
- **Elektrikli aleti açmadan önce ayarlama anahtarlarını veya İngiliz anahtarlarını çıkarın.** Elektrikli aletin dönen kısmına takılı bırakılan İngiliz anahtarı veya anahtar yaralanmaya neden olabilir.
- **Makineyi kullanırken erişim alanınızın dışındaki yerlere uzanmaya çalışmayın. Her zaman yere sağlam basın ve dengenizi koruyun.** Bu, elektrikli aletin beklenmedik durumlarda daha iyi kontrolünü sağlar.
- **Uygun giyinin. Bol elbise veya takı giymeyin. Saçınızı ve kıyafetinizi hareketli parçalardan uzakta tutun.** Bol elbiseler, takılar veya uzun saç hareketli parçalara takılabilir.
- **Cihazlar toz çekme ve toplama takımı bağlantısı ile geldiyse bunların bağlı olduğundan ve düzgün kullanıldığından emin olun.** Toz toplama özelliği tozla ilgili tehlikeleri azaltabilir.
- **Aletleri sık kullanmanın verdiği aşinalıkla kendinizi rahat hissedip alet güvenlik ilkelerini gözmezdten gelmeyin.** Dikkatsizce gerçekleştirilen işlemler bir anda ciddi yaralanmalara neden olabilir.
- Elektrikli aletin kullanımı sırasında meydana gelen titreşim emisyonu, aletin kullanıldığı şekle bağlı olarak belirtilen toplam değerden farklılık gösterebilir. Operatörler, gerçek kullanım koşullarını ve ortamlarını dikkate alarak kendilerini koruyacak doğru önlemleri belirlemelidir (aletin kapalı kaldığı ve rölantide çalıştığı zamanlar gibi çalışma zamanlarıyla ilgili tüm hususlar dikkate alınmalıdır).

Elektrikli alet kullanımı ve bakımı

- **Elektrikli aleti zorlamayın. Yapacağınız iş için uygun olan elektrikli aleti kullanın.** Doğru elektrikli alet, tasarlandığı oranda işi daha iyi ve güvenli yapar.
 - **Anahtar, elektrikli aleti açıp kapatmıyorsa elektrikli aleti kullanmayın.** Anahtar ile kontrol edilemeyen elektrikli aletler tehlikelidir ve onarılmalıdır.
 - **Herhangi bir ayarlama yapmadan, aksesuar değiştirmeden veya elektrikli aletleri depolamadan önce elektrikli aletin fişini güç kaynağından çekin ve/veya çıkarılabilirse akü grubunu çıkarın.** Bu tür önleyici güvenlik önlemleri, elektrikli aletin kazara çalıştırılma riskini azaltır.
 - **Kullanılmayan elektrikli aletleri çocukların erişemeyeceği yerde saklayın ve elektrikli alete veya elektrikli aleti kullanmak üzere bu talimatlara yabancı olan kişilere izin vermeyin.** Elektrikli aletler, eğitimsiz kullanıcıların elinde tehlikelidir.
 - **Elektrikli aletlerin ve aksesuarların bakımını yapın. Hareketli parçaların yanlış konumlandırılması veya takılması, parçaların kırılması ve elektrikli aletin çalışmasını etkileyebilecek herhangi bir durum olup olmadığını kontrol edin. Hasarlı işe kullanmadan önce elektrikli aleti tamir ettirin.** Çoğu kaza yetersiz bakım yapılmış elektrikli aletlerden kaynaklanmaktadır.
 - **Kesme araçlarını keskin ve temiz tutun.** Bakımı düzgün yapılmış, kesen tarafları yeterli keskinlikte olan kesme araçlarının takılma ihtimali daha az olup kontrol etmesi daha kolaydır.
 - **Elektrikli alet, aksesuarlar, araç parçaları vb. bileşenleri, çalışma koşullarını ve yapılacak işi göz önünde tutarak bu talimatlara uygun şekilde kullanın.** Elektrikli aletin düşünülen amaçlar dışında kullanılması tehlikeli bir duruma yol açabilir.
 - **Tutma yerlerini ve kavrama yüzeylerini kuru, temiz, gres ve yağdan arındırılmış halde tutun.** Kaygan tutma yerleri ve kavrama yüzeyleri beklenmedik durumlarda aletin güvenli bir şekilde kullanılmasına ve kontrol edilmesine imkan tanımaz.
- ### Akülü alet kullanımı ve bakımı
- **Sadece üreticinin belirttiği şarj aletiyle şarj edin.** Bir akü grubu için uygun olan bir şarj aleti başka bir akü grubuyla kullanıldığında yangın riski doğurabilir.
 - **Ürünleri yalnızca özel olarak belirlenmiş akü gruplarıyla kullanın.** Farklı türde akü gruplarının kullanılması yangın ve yaralanma riski doğurabilir.
 - **Akü grubu kullanımda değilken ataç, bozuk para, anahtar, çivi, vida veya diğer küçük metal cisimler gibi bir ucun başka bir uca bağlanmasına neden olabilecek cisimlerden uzak tutun.** Akü uçlarının kısa devre yapması vücudun yanmasına veya yangına neden olabilir.
 - **Zorlayıcı koşullarda aküden elektrolit sızabilir; dokunmayın. Kazayla temas ederseniz bol suyla yıkayın. Sıvı göze temas ederse ayrıca doktora başvurun.** Aküden sızan sıvı cildin tahriş olmasına veya yanıklara neden olabilir.

- **Hasarlı veya değiştirilmiş bir akü grubu veya alet kullanmayın.** Hasarlı veya üzerinde değişiklik yapılmış aküler yangın, patlama ya da yaralanma riski ile sonuçlanabilecek beklenmedik davranışlar sergileyebilir.
- **Akü grubunu veya aleti ateşe veya aşırı sıcaklığa maruz bırakmayın.** Bunların ateşe veya 130°C/265°F üzeri sıcaklığa maruz kalması patlamaya neden olabilir.
- **Tüm şarj etme talimatlarına uyun ve akü grubunu ya da aleti talimatlarda belirtilen sıcaklık aralığı dışında şarj etmeyin.** Belirtilen sıcaklık aralığının dışında veya hatalı olarak yapılan şarj işlemleri, aküye zarar verebilir ve yangın riskini artırabilir.

Servis

- **Elektrikli aletinizin yalnızca aynı yedek parçalar kullanan uzman bir tamirci tarafından onarılmasını sağlayın.** Bu, elektrikli aletin güvenliğinin sağlanması için gereklidir.
- **Hasarlı akü gruplarına asla servis işlemi uygulamayın.** Akü gruplarının servis işlemleri yalnızca üretici veya yetkili servis sağlayıcıları tarafından gerçekleştirilmelidir.

Her zaman sağduyulu hareket edin

Karşılaşabileceğiniz tüm olası durumları incelemek mümkün değildir. Her zaman dikkat gösterin ve sağduyunuzu kullanın. Kontrol edemeyeceğinizi düşündüğünüz tüm durumlardan kaçının. Bu talimatları okuduktan sonra çalıştırma prosedürleri konusunda hala emin olmadığınız noktalar varsa devam etmeden önce bir uzmana danışmalısınız.



UYARI: Çocukların makineyi kullanmasına veya yakınında bulunmasına kesinlikle izin vermeyin. Makinenin çalıştırılması kolay olduğundan, tam gözetim altında tutulmadıklarında makineyi çalıştırabilirler. Bu da ciddi yaralanma riski doğurur. Bu nedenle, makine yakın gözetim altında olmadığında pil çıkarılmalıdır.

Genel güvenlik talimatları



UYARI: Ürünü kullanmadan önce aşağıdaki uyarı talimatlarını okuyun.

- Ürününün kazara çalışmasını önlemek için aküyü çıkarın.
- Bu ürün, dikkatli olmamanız ya da ürünü doğru kullanmamanız halinde tehlikeli bir alettir. Bu ürün, operatör ya da başkaları açısından ciddi yaralanmalara veya ölüme neden olabilir.
- Orijinal teknik özellikleri değiştirilmişse ürünü kullanmayın. Üreticinin onayı olmadan ürünü bir parçasını değiştirmeyin. Yalnızca üretici tarafından

onaylanmış parçaları kullanın. Hatalı bakım çalışmaları, yaralanma veya ölüme sonuçlanabilir.

- Kullanmadan önce ürünü kontrol edin. Bkz. *Çalıştırmadan önce kontrol edin sayfada: 449 ve Ürünü çalıştırmadan önce sayfada: 456.* Hasarlı veya düzgün çalışmayan bir ürünü kullanmayın. Bu kılavuzda belirtilen güvenlik kontrolleri, bakım ve servis talimatlarını uygulayın.
- Ürünü oynamadıklarından emin olmak için çocuklar gözetim altında tutulmalıdır. Çocukların veya ürünün ve/veya akünün kullanımı konusunda eğitilmemiş diğer kişilerin ürünü kullanmasına veya üründe servis işlemleri yapmasına kesinlikle izin vermeyin. Operatör yaşı yerel yönetmelikler tarafından düzenlenebilir.
- Çocukların veya yetkili olmayan kişilerin erişmesini önlemek için ürünü kilitli bir alanda tutun.
- Ürünü çocukların erişmeyeceği yerlerde saklayın.
- Üreticinin izni alınmadan ürün tasarımında hiçbir şekilde değişiklik yapılamaz. Her zaman orijinal aksesuarlar kullanın. Onaylanmamış değişiklikler ve/veya aksesuarlar operatör ve başkaları açısından ciddi yaralanmalara veya ölüme neden olabilir.

Not: Kullanım, Ulusal veya Yerel yasalar tarafından düzenlenebilir. Belirlenmiş yönetmeliklere uyun.

Kullanım için güvenlik talimatları



UYARI: Ürünü kullanmadan önce aşağıdaki uyarı talimatlarını okuyun.

- **Makineyi kötü hava koşullarında; özellikle de yıldırım düşmesi riski olduğu durumlarda kullanmayın.** Bu, bir yıldırım tarafından çarılma riskini azaltır.
- **Makinenin kullanılacağı alandaki doğal hayatı dikkatlice inceleyin.** Çalışma sırasında doğal hayat, makine nedeniyle zarar görebilir.
- **Makinenin kullanılacağı alanı dikkatlice kontrol edin; tüm taşları, dal parçalarını, telleri, kemikleri ve diğer yabancı nesnelere kaldırın.** Fırlayan nesnelere yaralanmalara neden olabilir.
- **Makineyi kullanmadan önce daima kesicinin ve kesici tertibatının hasarlı olup olmadığını gözle kontrol edin.** Hasarlı parçalar yaralanma riskini artırır.
- **Siperlikleri yerinde tutun.** Siperlikler çalışır durumda olmalı ve düzgün şekilde monte edilmiştir. Gevşek, hasarlı veya düzgün çalışmayan bir siperlik, yaralanmalara neden olabilir.
- **Tüm soğutma havası girişlerinde döküntü olmadıktan emin olun.** Tıkalı hava girişleri ve döküntüler aşırı ısınmaya veya yangın riskine neden olabilir.
- **Koruyucu gözlük ve koruyucu kulaklık takın.** Uygun koruyucu ekipman, yaralanma riskini azaltır.
- **Makineyi çalıştırırken her zaman kaymayan ve koruyucu ayakkabı giyin.** Makineyi çiplak ayakta

veya açık sandalet giyerek çalıştırmayın. Bu, ayakların hareketli kesiciyle temas etmesiyle oluşabilecek yaralanma olasılığını azaltır.

- **Makineyi çalıştırırken her zaman operatörün bacaklarını kaplayan pantolon gibi kıyafetler giyin.** Hareketli kesici veya misinayla temas yaralanmalara neden olabilir.
- **Makineyi kullanırken çevredeki kişileri uzak tutun.** Fırlayan döküntüler ciddi kişisel yaralanmalara neden olabilir.
- **Makineyi bel yüksekliğinin üzerinde çalıştırmayın.** Bu sayede, istenmeyen kesici teması önlenebilir ve beklenmedik durumlarda makine daha iyi kontrol edilebilir.
- **Makineyi ıslak çimde kullanırken dikkatli olun.** Yürüyün, asla koşmayın. Bu, yaralanmaya neden olabilecek kayma ve düşme riskini azaltır.
- **Makineyi aşırı dik eğimlerde kullanmayın.** Bu, yaralanmaya neden olabilecek kontrol kaybı, kayma ve düşme riskini azaltır.
- **Eğimli yerlerde çalışırken her zaman yere sağlam basın, makineyi eğimli yüzeye paralel kullanın, asla yukarı veya aşağı doğru kullanmayın ve yön değiştiren çok dikkatli olun.** Bu, yaralanmaya neden olabilecek kontrol kaybı, kayma ve düşme riskini azaltır.
- **Tüm güç kablolarını ve kabloları kesme alanından uzak tutun.** Güç kabloları veya kablolar, çitlerin veya çalıların arasına gizlenebilir ve misina veya kesici tarafından yanlışlıkla kesilebilir veya hasar görebilir.
- **Tüm vücudunuzu hareketli kesiciden veya misinadan uzak tutun.** Güç kaynağı ile bağlantısı kesilene kadar makineden malzeme temizlemeyin. Hareketli kesici veya misina ciddi yaralanmalara neden olabilir.
- **Makineyi, kapalı şekilde ve vücudunuzdan uzak tutarak taşıyın.** Makinenin doğru şekilde kullanılması, hareketli kesici veya misinayla kazara temas etme riskini azaltır.
- **Yalnızca üretici tarafından belirtilen yedek kesme kafaları ve kesiciler veya misinalar kullanın. Kesicileri veya misinaları metal tel veya bıçaklarla değiştirmeyin.** Yanlış yedek parçalar kontrol kaybına, kırılmaya ve yaralanmaya neden olabilir.

Kişisel koruyucu ekipman



UYARI: Ürünü kullanmadan önce aşağıdaki uyarı talimatlarını okuyun.

- Ürünü kullanırken daima onaylı kişisel koruyucu ekipmanları kullanın. Kişisel koruyucu ekipmanlar yaralanma riskini tamamen engelleyemez ancak bir kaza durumunda yaralanmanın derecesini azaltır. Bayinizin doğru ekipmanı seçmenize yardımcı olmasını sağlayın.
- Onaylanmış kulak koruma ekipmanı kullanın.

(Şek. 21)

- Onaylı koruyucu gözlük kullanın. Vizör kullanıyorsanız onaylı koruma gözlüğü de kullanmanız gerekir. Onaylı koruma gözlüğü ABD'de ANSI Z87.1 veya AB ülkelerinde EN 166 standardıyla uyumlu olmalıdır.

(Şek. 22)

- Kesme donanımını takma, kontrol etme veya temizleme gibi eldiven gerektiren durumlarda eldiven kullanın.

(Şek. 23)

- Çelik burunlu ve kaymaz tabanlı koruyucu bot kullanın.

(Şek. 24)

- Sağlam kumaştan yapılmış kıyafetler kullanın. Daima kalın ve uzun pantolonlarla uzun kollu kıyafetler kullanın. Çalılara ve dallara takılabilecek bol kıyafetler kullanmayın. Takı takmayın, kısa pantolon veya sandalet kullanmayın. Çıplak ayakla kullanmayın. Saçınızı güvenli bir şekilde omuz hizasının üzerinde toplayın.
- İlk yardım ekipmanını yakında bulundurun.

(Şek. 25)

Ürünün üzerindeki güvenlik araçları



UYARI: Ürünü kullanmadan önce aşağıdaki uyarı talimatlarını okuyun.

Bu bölümde ürünün güvenlik özellikleri, amacı ve ürünün düzgün çalışması için bakım ve kontrollerin nasıl yürütülmesi gerektiği açıklanmaktadır. Ürününüzde bu parçaların nerede bulunduğunu görmek için *Giriş sayfa: 447* başlığı altındaki talimatları okuyun.

Ürün bakımı doğru olarak yapılmazsa ve servis ve/veya onarım işlemleri profesyonel olarak uygulanmazsa ürünün kullanım ömrü azalabilir ve kaza riski artabilir. Daha fazla bilgiye ihtiyacınız olursa lütfen en yakın servis bayisiyle iletişime geçin.



UYARI: Güvenlik bileşenleri hasarlı olan bir ürünü asla kullanmayın. Ürünün güvenlik donanımı bu bölümde açıklandığı gibi kontrol edilmeli ve bakıma alınmalıdır. Ürününüz bu kontrollerden herhangi birini geçemezse onarım için servis nokتانızla iletişime geçin.



DİKKAT: Makine üzerindeki tüm servis ve onarım işlemleri özel eğitim gerektirir. Bu durum özellikle makinenin güvenlik ekipmanı için geçerlidir. Makineniz aşağıda açıklanan kontrollerden herhangi birinden geçemezse servis nokتانızla iletişime geçmelisiniz. Herhangi bir ürünümüzü satın aldıysanızda profesyonel onarım ve servis hizmetlerinin mevcut bulunduğunu garanti etmekteyiz.

Makinenizi satan bayi bir servis bayisi değilse size en yakın servis noktasının adresini sorun.

Kullanıcı arayüzünü kontrol etme

Yeşil LED'ler (A) makine açıkken ancak çalışır durumda değilken akü durumunu gösterir.

1. Açma/kapatma düğmesine (B) basın ve düğmeyi basılı tutun. (Şek. 26)
 - a) Yeşil LED'ler (A) yandığında ürün açıktır.
 - b) Yeşil LED'ler (A) yanmıyorsa ürün kapalıdır.
2. Uyarı göstergesi (C) yanıyorsa veya yanıp sönüyorsa *Sorun giderme sayfa: 459* bölümüne bakın.

Güç tetiği kilidini kontrol etme

Güç tetiği kilidi, kazara çalışmayı önler. Güç tetiği kilidine (A) bastığınızda güç tetiği (B) serbest kalır. Tutma yerini bıraktığınızda güç tetiği ve güç tetiği kilidi geri hareket ederek ilk konumlarına geri döner. (Şek. 27)

1. Güç tetiği kilidi ilk konumundayken güç tetiğinin kilidi olduğundan emin olun.

(Şek. 28)

2. Güç tetiğine basın ve tetiği serbest bıraktığınızda ilk konumuna geri döndüğünden emin olun.

(Şek. 29)

3. Güç tetiğinin ve güç tetiği kilidinin serbestçe hareket ettiğinden ve dönüş yayının düzgün çalıştığından emin olun.

(Şek. 30)

4. Ürünü çalıştırın. Bkz. *Ürünü çalıştırma sayfa: 457*.

5. Güç tetiğini serbest bırakın ve kesme ataşmanının tamamen durduğundan emin olun.

Kesme donanımı siperliğini kontrol etme



UYARI: Kesme donanımını onaylı ve doğru takılmış bir kesme donanımı siperliği olmadan kullanmayın. Kullandığınız kesme donanımı için daima tavsiye edilen kesme donanımı siperliğini kullanın; bkz. *Teknik veriler sayfa: 460*. Hatalı veya arızalı kesme donanımı siperliği takılması ciddi yaralanmaya neden olabilir.

Kesme donanımı siperliği, operatöre doğru fırlayan nesnelere engeller. Kesme donanımı siperliği, kesme donanımına dokunduğunuzda oluşabilecek yaralanmaları da önler.

1. Motoru durdurun.
2. Çatlama gibi herhangi bir hasar olup olmadığını gözünüzle kontrol edin.
3. Hasar görmesi durumunda kesme ataşmanı siperliğini değiştirin.

Kesme ekipmanı

Doğru kesme ekipmanını seçerek ve kesme ekipmanının bakım yaparak:

- Maksimum kesme performansı elde edin.
- Kesme ekipmanının ömrünü uzatın.



UYARI: Kesme ataşmanlarını yalnızca önerdiğimiz siperliklerle kullanın! Talimatlar için bkz. *Teknik veriler sayfa: 460*. Misinayı doğru şekilde yükleme yöntemini ve doğru misina çapını bulmak için kesme ataşmanı talimatlarına bakın.



UYARI: Arızalı bir kesme ataşmanı kaza riskini artırabilir.

Misina kafa



UYARI: Zararlı titreşimi önlemek amacıyla misinanın tamburun etrafına sıkıca ve düzgün şekilde sarıldığından mutlaka emin olun.

(Şek. 31)

- Yalnızca tavsiye edilen misina kafalarını ve misinaları kullanın.
- Yalnızca önerilen kesme donanımlarını kullanın.
- Küçük makineler küçük misina kafalar gerektirir; büyük makineler ise büyük misina kafalar gerektirir.
- Misinanın uzunluğu önemlidir. Uzun misinalar, aynı çapta daha kısa misinalardan daha fazla motor gücü gerektirir.
- Biçme koruyucusu üzerindeki kesicinin sağlam olduğundan emin olun. Bu kesici, misinayı doğru uzunlukta kesmeye yarar.
- Kullanım ömrünü uzatmak için misinayı kullanmadan önce birkaç gün boyunca suda bekletin.

Akü güvenliği



UYARI: Güvenlik bilgilerinizi ve genel talimatları okuyun. Güvenlik bilgilerinin ve genel talimatların görmezden gelinmesi durumunda elektrik çarpması, yangın ve/veya ciddi yaralanmalar meydana gelebilir. **Tüm güvenlik bilgilerinizi ve genel talimatları ileride başvurmak üzere saklayın.**

- **Bu güvenlik talimatları yalnızca POWER FOR ALL sisteminin 18 V Lityum İyon şarj edilebilir aküleri için geçerlidir.**
- **Şarj edilebilir aküyü yalnızca POWER FOR ALL Sistem ortaklarının ürünlerinde kullanın.** POWER FOR ALL ile etiketli 18 V şarj edilebilir aküler aşağıdaki ürünlerle tam uyumludur:
 - 18 V POWER FOR ALL akü sisteminin tüm ürünleri.
 - POWER FOR ALL Sistem ortaklarından tüm 18 V'lik ürünler.
- **Ürününüzün kullanım kılavuzundaki akü tavsiyelerini dikkate alın.** Şarj edilebilir akü ve ürün yalnızca bu şekilde tehlike olmadan kullanılabilir ve şarj edilebilir aküler tehlikeli aşırı yüklemeye karşı korunabilir.
- **Aküleri yalnızca üretici veya POWER FOR ALL sistem ortakları tarafından önerilen şarj cihazlarını kullanarak şarj edin.** Bir tip akü için uygun olan bir şarj cihazı başka bir aküyle kullanıldığında yangın riski doğurabilir.
- **Akü kısmen şarj edilmiş olarak verilir.** Akünün tam kapasitede olduğundan emin olmak için elektrikli aletinizi ilk defa kullanmadan önce ürünün aküsünü tamamen şarj edin.
- **Akü gruplarını çocukların ulaşamayacağı yerlerde tutun.**
- **Aküyü açmayın.** Kısa devre riski vardır.
- **Akünün hasar görmesi veya yanlış kullanılması durumunda duman salınımı gerçekleşebilir. Akü alev alabilir veya patlayabilir.** Ortami iyice havalandırın ve olumsuz etkiler görülmesi durumunda tıbbi yardım alın. Ortaya çıkan dumanlar solunum sistemini tahriş edebilir.
- **Yanlış kullanılırsa veya akü zarar görürse aküden yanıcı sıvı sızabilir. Bu sıvıyla temas etmeyin. Kazara temas ederseniz bol suyla yıkayın. Sıvı gözlerinizle temas ederse tıbbi yardım alın.** Aküden sızan sıvı cildin tahriş olmasına veya yanıklara neden olabilir.
- **Akünün hasar görmesi durumunda sızan sıvı yakın yüzeyleri kaplayabilir. Etkilenen parçaları kontrol edin.** Bu parçaları temizleyin veya gerekirse değiştirin.
- **Akü grubuna kısa devre yaptırmayın. Akü grubunu, kullanımda değilken ataç, bozuk para, anahtar, çivi, vida veya diğer küçük metal cisimler gibi bir ucu başka bir uca bağlanmasına neden olabilecek cisimlerden uzak tutun.** Akü uçlarının kısa devre yapması yanıklara veya yangına neden olabilir.
- **Akü; çivi veya tomavida gibi sivri nesnelere ya da dışardan uygulanan kuvvetten zarar görebilir.** Akünün yanmasına, duman çıkarmasına, patlamasına veya aşırı ısınmasına neden olacak bir dahili kısa devre meydana gelebilir.
- **Hasarlı akü gruplarına asla servis işlemi uygulamayın.** Akü gruplarının servis işlemleri yalnızca üretici veya yetkili servis sağlayıcıları tarafından gerçekleştirilmelidir.

- **Aküyü ısıya (sürekli yoğun gün ışığı, ateş, toprak, su ve nem) karşı koruyun.** Patlama ve kısa devre riski vardır.
- **Üründeki aküyü yalnızca -5 °C — 40 °C arasındaki ortam sıcaklıklarında kullanın.**
- **Aküyü yalnızca -20 °C — 50 °C arasındaki ortam sıcaklıklarında saklayın.** Örneğin, yaz aylarında aküyü arabanızda bırakmayın. 0°C'nin altındaki sıcaklıklarda bazı cihazlarda güç kaybı yaşanabilir.
- **Aküyü yalnızca 0 °C — 35 °C arasındaki ortam sıcaklıklarında şarj edin.** Bu sıcaklık aralığının dışında şarj etmek, akünün hasar görme riskini artırabilir ve yangın tehlikesi oluşturabilir.

Akü şarj cihazı güvenliği



UYARI: Güvenlik bilgilerinizi ve genel talimatları okuyun. Güvenlik bilgilerinin ve genel talimatların görmezden gelinmesi durumunda elektrik çarpması, yangın ve/veya ciddi yaralanmalar meydana gelebilir. **Bu talimatları güvenli bir yerde saklayın.** Şarj cihazınızı yalnızca tüm işlevlerin tam olarak çalıştığını onaylayabiliyor ve bunları kısıtlama olmadan gerçekleştirebiliyor veya ilgili talimatları aldıysanız kullanın.

- **Kullanım, temizlik ve bakım sırasında çocukları gözetin.** Bu sayede çocukların şarj cihazıyla oynamasını engelleyebilirsiniz.
- **Yalnızca POWER FOR ALL sistem 18 V'nin 1,5 Ah veya daha yüksek (5 akü hücresi ya da daha fazla) kapasiteli lityum İyon aküleri şarj edin.** Akü voltajı, şarj cihazının akü şarj voltajıyla eşleşmelidir. Şarj edilebilir olmayan aküleri şarj etmeyin. Aksi takdirde yangın ve patlama riski vardır.
- **Şarj cihazını yağmura veya ıslak koşullara maruz bırakmayın.** Elektrikli aletin içine giren su, elektrik çarpması riskini artırır.
- **Şarj cihazınızı temiz tutun.** Kir, elektrik çarpması riski oluşturur.
- **Kullanımdan önce her zaman şarj cihazını, kablo ve fişi kontrol edin.** Herhangi bir hasar tespit ederseniz şarj cihazını kullanmayı bırakın. Şarj cihazınızı kendi başınıza açmayın. Tamir işlemleri yalnızca kalifiye uzmanlar tarafından ve yalnızca orijinal yedek parçalar kullanılarak gerçekleştirilmelidir. Hasar görmüş şarj cihazları, kablolar ve fişler elektrik çarpması riskini artırır.
- **Şarj cihazını kolaylıkla alev alabilecek (ör. kağıt ve kumaş gibi) yüzeyler üzerinde veya yanıcı ortamlarda çalıştırmayın.** Şarj cihazı çalışma sırasında ısındığı için yangın riski vardır.
- **Sadece üreticinin belirttiği şarj aletiyle şarj edin.** Bir akü grubu için uygun olan bir şarj aleti başka bir akü grubuyla kullanıldığında yangın riski doğurabilir.
- **Akünün hasar görmesi veya yanlış kullanılması durumunda duman salınımı da gerçekleşebilir.** Ortami iyice havalandırın ve olumsuz etkiler

görülmesi durumunda tıbbi yardım alın. Ortaya çıkan dumanlar solunum sistemini tahriş edebilir.

- **Zorlayıcı koşullarda aküden sıvı sızabilir. Bu sıvıyla temas etmeyin. Kazara temas ederseniz bol suyla yıkayın. Sıvı gözlerinize temas ederse tıbbi yardım alın.** Aküden sızan sıvı cildin tahriş olmasına veya yanıklara neden olabilir.
- **Şarj cihazının havalandırma deliklerini kapatmayın.** Aksi takdirde şarj cihazı aşırı ısınabilir ve düzgün çalışmayabilir.
- **Güvenlik tehlikelerini önlemek için güç kaynağının değiştirilmesi gerekiyorsa bu işlem, Husqvarna tarafından veya Husqvarna elektrikli aletlerini tamir etme konusunda yetkili bir müşteri hizmetleri merkezi tarafından gerçekleştirilmelidir.**
- **Yalnızca Büyük Britanya'da satılan ürünler:** Ürününüzde, dahili sigortası bulunan BS 1363/A onaylı bir elektrik fiş bulunur (BS 1362 uyarınca ASTA onaylı). Fişiniz, priz çıkışlarına uymuyorsa fiş prizden çıkarılmalı ve yetkili müşteri hizmetleri noktası tarafından yerine uygun bir fiş takılmalıdır. Yedek fiş, orijinal fiş ile aynı sigorta değerine sahip olmalıdır. Olası bir elektrik çarpması tehlikesini önlemek için çıkarılan fiş bertaraf edilmelidir ve asla başka bir duvar prizine takılmamalıdır.



UYARI: Kalp durması! Bu ürün, çalışırken elektromanyetik bir alan oluşturur. Bu alan, bazı koşullarda aktif veya pasif tıbbi implantlarda parazitlenmeye neden olabilir. Yaralanmaya veya ölüme neden olabilecek durumların ortaya çıkma riskini azaltmak için tıbbi implantı olan kişilerin, ürünü

çalıştırmadan önce doktorlarına ve tıbbi implant üreticilerine danışmalarını öneririz.



UYARI: Boğulma riski! Küçük parçalar kolayca yutulabilir. Ayrıca, bebeklerin polietilen torbadan dolayı boğulma riski vardır. Ürünü monte ederken bebekleri uzak tutun.

Bakım için güvenlik talimatları



UYARI: Ürün üzerinde bakım yapmadan önce aşağıdaki uyarı talimatlarını okuyun.

- Bakım ve diğer kontrolleri gerçekleştirmeden veya ürünü monte etmeden önce aküyü çıkarın.
- Operatör, yalnızca kullanım kılavuzunda gösterilen bakım ve servis işlemlerini uygulamalıdır. Daha geniş çaplı bakım ve servis için servis bayinizle iletişime geçin.
- Aküyü veya akü şarj cihazını suyla temizlemeyin. Güçlü deterjanlar plastiğe zarar verebilir.
- Bakım yapmamanız ürünün kullanım ömrünü azaltır ve kaza riskini artırır.
- Ürünün güvenli araçları başta olmak üzere tüm servis ve onarım işlemleri için özel eğitim gerekir. Bakım yaptıktan sonra bu kullanım kılavuzundaki tüm kontroller onaylanmazsa servis bayinizle iletişime geçin. Ürününüz için profesyonel onarım ve servis hizmetinin mevcut olduğunu garanti ederiz.
- Sadece orijinal yedek parça kullanın.

Montaj

Giriş



UYARI: Ürünü monte etmeden önce güvenlik bölümünü okuyup anlayın.

Budayıcı siperliğini takma

1. Budayıcı siperliğini motor muhafazasına yerleştirin. (Şek. 32)
2. 2 civatayı motor muhafazasından ve budayıcı siperliğinden geçirerek takın. (Şek. 33)
3. Civataları sıkın.

Misina kafayı monte etme

1. Çalıştırma diskindeki delik, dişli kovanındaki delikle hizalanıncaya kadar çıkış milini döndürün.
2. Mili kilitlemek için kombine aleti deliğe takın.
3. Misina kafayı saat yönünde döndürün. (Şek. 34)

Bitki siperliğini monte etme

1. Bitki siperliğini motor muhafazasındaki deliklere takın. (Şek. 35)
2. Bitki siperliğinin serbestçe ileri ve geri hareket edebildiğinden emin olun. (Şek. 36)

Kancayı duvara monte etme

- Kancayı iç mekanda monte edin.
- Kancayı güneş ışığından uzak ve -10°C ile 70°C arası bir ortam sıcaklığında tutun.
- Kancayı alçıpan, ahşap veya beton duvara monte edin.



DİKKAT: Duvarın en az 30 kg yük taşıyabildiğinden emin olun.

- Kancayı, 3 vida (A) ile duvara monte edin. Gerekirse dübel (B) kullanın. (Şek. 37)



DİKKAT: Vidaların duvar tipinize uygun olduğundan emin olun.

- Ürünüze yönelik mevcut depolama aksesuarları hakkında bilgi almak için Husqvarna servis noktanızla görüşün.

Çalışma

Giriş



UYARI: Ürünü kullanmadan önce güvenlik bölümünü okuyup anlayın.

Ürünü çalıştırmadan önce

- Araziyi tanıdığınızdan emin olmak için çalışma alanını inceleyin. Zeminin eğimini inceleyin ve taş, dal veya çukur gibi engeller olup olmadığını kontrol edin.
- Ürünü genel olarak gözden geçirin.
- Bu kılavuzda verilen güvenlik muayenelerini, bakımı ve servisi yapın.
- Motorda kir veya çatlak olup olmadığını kontrol edin. Bir fırça kullanarak motordaki çim ve yaprakları temizleyin. Gerekirse eldiven kullanın.
- Misina kafada ve kesme donanımı siperliğinde hasar veya çatlak olup olmadığına bakın. Misina kafa ve kesme donanımı siperliği darbe almışsa veya çatlaksa bunları değiştirin.
- Tüm somun ve vidaların sıkı olduğundan emin olun.
- Ürünü başlatmadan önce kesme donanımındaki tüm kapakların, siperliklerin ve tutma yerlerinin doğru şekilde takıldığından ve hasarsız olduğundan emin olun.

Akü



UYARI: Aküyü kullanmadan önce güvenlik bölümünü okuyup anlamalısınız. Akü ve akü şarj cihazına ait kullanım kılavuzunu da okuyup anlamalısınız.

Aküyü ve akü şarj cihazını doğru ortam sıcaklıklarında tutun.

	Ortam sıcaklığı
Ürünün içindeki akünün çalışması	-5 °C — 40 °C
Akü şarj etme sıcaklığı	0 °C — 35 °C

Aküyü şarj etme

İlk kullanımdan önce aküyü şarj edin.

Not: Akü sıcaklığı +35°C üzerindeyse akü şarj olmaz.

1. Akü şarj cihazının güç kablosunu topraklamalı bir elektrik prizine bağlayın.



DİKKAT: Şebeke voltajının ve frekansının doğru olduğundan emin olun.

2. Aküyü, akü şarj cihazına yerleştirin. Yeşil renkli LED yanıp söndüğünde akü, akü şarj cihazına bağlanmıştır. (Şek. 38)
3. Akü şarj cihazındaki yeşil renkli LED sürekli olarak yandığında akü tamamen şarj olmuştur. Aküyü en fazla 24 saat boyunca şarj edin.
4. Şarj cihazının şebeke bağlantısını kesin.



DİKKAT: Güç kablosunu çekmeyin.

5. Aküyü, akü şarj cihazından çıkarın.

Akü şarj cihazındaki akü durum LED'i

Akü şarj cihazındaki kırmızı renkli LED (A) ve yeşil renkli LED (B), akü durumunu gösterir. Bkz. *Ürün üzerindeki akü durumu LED'i sayfada: 456.*

(Şek. 39)

LED	Akü durumu
Yeşil renkli LED hızlıca yanıp sönmektedir.	Akü şarj ediliyordu.
Yeşil renkli LED yanıp sönmektedir.	Akü, %80 oranında şarj olmuştur.
Yeşil renkli LED sürekli olarak yanmaktadır.	Akü tamamen şarj olmuştur.
Kırmızı renkli LED sürekli olarak yanmaktadır.	Bkz. <i>Ürün üzerindeki akü durumu LED'i sayfada: 456.</i>
Kırmızı renkli LED hızlıca yanıp sönmektedir.	Bkz. <i>Ürün üzerindeki akü durumu LED'i sayfada: 456.</i>

Ürün üzerindeki akü durumu LED'i

Akü ürüne takıldığında, ürün üzerindeki LED'ler akü durumunu gösterir.

(Şek. 40)

LED	Akü durumu
LED 1, 2 ve 3 yanmaktadır.	Tamamen şarj edilmiştir.
LED 1 ve 2 yanmaktadır.	Yeterli miktarda şarj olmuştur.
LED 1 yanmaktadır.	Akü gücü düşüktür.
LED 1 yanıp sönmektedir.	Akü boştur. Akü durum göstergesi yanıp sönmektedir. Aküyü şarj edin. Bkz. <i>Aküyü şarj etme sayfa: 456.</i>

Aküü ürüne bağlama



UYARI: Aküyü yalnızca POWER FOR ALL sistem 18 V ürünleri ile kullanın.

1. Akünün tamamen şarj edilmiş olduğundan emin olun.
2. Aküyü, ürünün akü tutucusuna yerleştirin. Akü, tutucuya kolay bir şekilde geçerek oturmalıdır, oturmuyorsa düzgün takılmamış demektir.

(Şek. 41)

3. Akü yerine oturduğunda bir tık sesi duyarsınız.

Ürünü çalıřtırma

1. Yeşil LED yanana kadar açma/kapatma düğmesini basılı tutun. (Şek. 42)
2. Güç tetiđi kilidine ve güç tetiđine basın. Kesme ekipmanı dönmeye başlar.

Yarım daire şeklindeki tutma yerini ve teleskopik mili ayarlama

1. Yarım daire şeklindeki tutma yerinin ayar düğmesine basın.

(Şek. 43)

2. Yarım daire şeklindeki tutma yerini uygun bir açığa getirin.
3. Yarım daire şeklindeki tutma yerinin ayar düğmesini serbest bırakın.
4. Mildeki kolu gevşetin. (Şek. 44)
5. Mil üzerinde gerekli uzunluđu ayarlayın.
6. Kolu kapatın ve vidayı sıkın.

Not: Aşağıdaki çizimde yer alan yarım daire şeklindeki tutma yerinin iki konumu yalnızca taşıma ve/veya depolama içindir.

(Şek. 45)

Otomatik kapatma işlevi

Üründe, kullanılmadığında ürünü durduran bir otomatik kapatma işlevi vardır. Ürün 3 minutes sonra kapanır.

Ürünü çalıřtırma

Çim budama

1. Misina kafayı zemin yüzeyinin hemen üstünde, açılı bir şekilde tutun. Misinayı çime bastırmayın. (Şek. 46)
2. Misina uzunluđunu 8-10 cm/3,15-4 inç kısaltın.

Çimi temizleme

1. Misina kafayı zeminin üzerinde tutun.
2. Misina kafayı eğin.
3. Çalışma alanında nesnelerin etrafında misinanın ucuyla kesin.



DİKKAT: Çimi kesin. Misinanın çarptığı diğer nesneler, misinanın yıpranmasını hızlandırır.

Çim kesme

1. Çimi keserken misinanın zemine paralel olduğundan emin olun. (Şek. 47)
2. Misina kafayı zemine bastırmayın. Bu, üründe hasara neden olabilir.
3. Çimi keserken ürünü yanlamasına hareket ettirin. (Şek. 48)

Çim süpürme

Dönen misinadan gelen hava akışı kesilen çimi bölgeden uzaklařtırmak için kullanılabilir.

1. Misina kafayı ve misinayı yere paralel ve yerden yukarıda tutun.
2. Misina kafayı yanlamasına hareket ettirerek çimi süpürün.



UYARI: Her yeni misina taktığınızda, dengenin bozulmasını ve tutma yerlerindeki titreşimi önlemek için misina kafa kapađını temizleyin. Ayrıca misina kafanın diğer parçalarını da kontrol edip gerekirse temizleyin.

Ürünü durdurma

1. Güç tetiđini ve güç tetiđi kilidini serbest bırakın.
2. Yeşil LED sönene kadar açma/kapatma düğmesine basın.
3. Aküdeki serbest bırakma düğmesine basın ve aküyü üründen çıkarın. (Şek. 49)

Misininin deđiřtirilmesi

Bu kullanım kılavuzunun son sayfasına bakın.

Bakım

Giriş



UYARI: Ürün üzerinde bakım yapmadan önce güvenlik bölümünü okuyup anlayın.

Ürün üzerinde yapmanız gereken bakım adımları aşağıda listelenmiştir. Daha fazla bilgi için *Bakım sayfada: 458* bölümüne bakın.

Bakım takvimi



UYARI: Bakım yapmadan önce aküyü çıkarın.

Bakım	Günlük	Haftalık olarak	Aylık olarak
Ürünün dış parçalarını kuru bir bezle temizleyin. Su kullanmayın.	X		
Çalıştırma ve durdurma düğmesinin düzgün çalıştığından ve zarar görmemiş olduğundan emin olun.	X		
Güç tetiğinin ve güç tetiği kilidinin güvenlik açısından doğru çalıştığından emin olun.	X		
Tüm kontrollerin çalıştığından ve zarar görmediğinden emin olun.	X		
Tutma yerlerini kuru, temiz, gres ve yağdan arındırılmış halde tutun.	X		
Kesme donanımının zarar görmemiş olduğundan emin olun. Zarar görmesi durumunda kesme donanımını değiştirin.	X		
Kesme donanımı siperliğinin zarar görmemiş olduğundan emin olun. Hasar görmesi durumunda kesme donanımı siperliğini değiştirin.	X		
Vida ve somunların sıkı olduğundan emin olun.	X		
Aküdeki açma düğmelerinin çalıştığından ve aküyü ürüne sabitlediğinden emin olun.	X		
Akü şarj cihazının zarar görmediğinden ve doğru şekilde çalıştığından emin olun.	X		
Akünün zarar görmemiş olduğundan emin olun.	X		
Akünün şarj edilmiş olduğundan emin olun.	X		
Akü şarj cihazının zarar görmediğinden emin olun.	X		
Tüm kabloları, rakorları ve bağlantıları kontrol edin. Bunların zarar görmediğinden ve kirden arındırılmış olduğundan emin olun.		X	
Akü ile ürün arasındaki bağlantıları kontrol edin. Akü ile akü şarj cihazı arasındaki bağlantıyı kontrol edin.			X

Aküyü ve akü şarj cihazını kontrol etme

- Aküyü çatlak gibi hasarlara karşı kontrol edin.
- Akü şarj cihazını çatlak gibi hasarlara karşı kontrol edin.

- Akü şarj cihazının bağlantı kablosunun hasarlı olmadığını ve üzerinde çatlaklar bulunmadığını kontrol edin.

Ürünü, aküyü ve akü şarj cihazını temizleme

- Kullandıktan sonra ürünü kuru bir bezle temizleyin.

2. Aküyü ve akü şarj cihazını kuru bir bezle temizleyin. PİL kılavuz raylarını temiz tutun.
3. Aküyü, akü şarj cihazına veya ürüne yerleştirmeden önce akü ve akü şarj cihazının terminallerinin temiz olduğundan emin olun.

Misina kafayı inceleyip değiştirme

1. Misina kafada hasar ve çatlak olup olmadığını kontrol edin.
2. Çalıştırma diskindeki delik, dişli kovanındaki delikle hizalanıncaya kadar çıkış milini döndürün.

3. Mili kilitlemek için kombine aleti deliğe takın.
4. Misina kafayı saat yönünün tersine döndürün.
(Şek. 50)

5. Misina kafayı değiştirin.
6. Misina kafayı monte edin. Bkz. *Misina kafayı monte etme sayfa: 455.*

Sorun giderme

Kullanıcı arayüzü

Sorun	Olası arızalar	Olası çözüm
Yeşil çalışma LED'i yanıp sönüyor.	Düşük akü voltajı.	Aküyü şarj edin.
Kırmızı hata LED'i yanıp sönüyor.	Aşırı yük.	Kesme ataşmanı serbestçe hareket edemiyor. Kesme ataşmanını serbest bırakın.
	Sıcaklık değişimi.	Ürünün soğumasını bekleyin.
	Güç tetiğine ve çalıştırma düğmesine aynı anda basılmıştır.	Güç tetiğini serbest bırakın ve çalıştırma düğmesine basın.
Yeşil renkli LED ve kırmızı renkli LED sırayla yanıp sönüyor.	Akü boştur.	Aküyü şarj edin.
	Akü hasarlıdır.	Servis bayinize danışın.

Akü şarj cihazı

Akü şarj cihazındaki LED	Neden	Çözüm
Yeşil renkli LED yanıyor ve kırmızı renkli LED yanıp sönüyor.	Akü, akü şarj cihazına doğru şekilde takılmamıştır.	Aküyü şarj cihazından çıkarın ve aküyü, akü şarj cihazına tekrar takın.
	Akü konektörleri kirlidir.	Akü konektörlerini temizleyin.
	Ortam sıcaklığı çok yüksek veya çok düşüktür.	Akü şarj cihazını, 0°C – +35°C arasındaki sıcaklıklarda kullanın.
	Akü arızalıdır.	Aküyü değiştirin.
Yeşil renkli LED ve kırmızı renkli LED yanmıyor.	Akü şarj cihazı şebeke prizine doğru şekilde bağlanmamıştır.	Akü şarj cihazını bir şebeke prizine takın.
	Arızalı şebeke prizi.	Akü şarj cihazını nominal değerler plakasında belirtilen voltaj ve frekansa uygun olarak bağlayın.
	Akü şarj cihazı kablosu arızalıdır.	Onaylı bir servis noktasıyla görüşün.
	Akü şarj cihazı arızalıdır.	

Akü şarj cihazındaki LED	Neden	Çözüm
Diğer hatalar.	Başka hatalar oluşması durumunda ürünün kapalı olduğundan emin olun, aküyü çıkarın ve onaylı bir servis noktasıyla iletişime geçin.	

Taşıma, depolama ve atma

Taşıma ve depolama

- Ürün ile birlikte verilen Lityum Lyon aküler, Tehlikeli Maddeler Yönetmeliklerinin gereksinimlerini karşılamaktadır.
- Üçüncü taraflar ve aracı nakliye şirketleri de dahil olmak üzere, ticari amaçlı taşıma işlemlerinde ambalaj ve etiketler üzerindeki özel gereksinimlere uyun.
- Ürünü göndermeden önce tehlikeli maddeler konusunda özel eğitim almış bir kişiyle görüşün. Yürürlükteki tüm ulusal yönetmeliklere uyun.
- Aküyü bir ambalaja yerleştireceğiniz zaman açık kontakları bantlayın. Aküyü ambalaj içine hareket etmesini engelleyecek şekilde sıkıca yerleştirin.
- Depolama veya taşıma için aküyü çıkarın.
- Aküyü ve akü şarj cihazını nem ve don olmayan kuru bir yerde saklayın.
- Aküyü statik elektriğin oluşabileceği yerlerde saklamayın. Aküyü metal bir kutuda tutmayın.
- Aküyü, sıcaklığın -20°C / -4°F ile $+50^{\circ}\text{C}$ / 122°F arasında olduğu ve doğrudan güneş ışığı almayan bir yerde depolayın.
- Akü şarj cihazını, sıcaklığın $5^{\circ}\text{C}/41^{\circ}\text{F}$ ile $45^{\circ}\text{C}/113^{\circ}\text{F}$ arasında olduğu ve doğrudan güneş ışığı almayan bir yerde depolayın.
- Ürünü sıcaklığın -40°C / -40°F ile $+60^{\circ}\text{C}$ / 140°F arasında olduğu bir yerde depolayın.
- Akü şarj cihazını yalnızca ortam sıcaklığı 0°C / 32°F ile 35°C / 95°F arasındayken kullanın.
- Uzun süreli depolamadan önce aküyü %30-%50 arasındaki bir seviyeye kadar şarj edin.

- Akü şarj cihazını, kapalı ve kuru bir alanda saklayın.
- Depolama sırasında aküyü akü şarj cihazından uzakta tutun. Çocukların ve diğer izinsiz kişilerin ekipmana dokunmasına izin vermeyin. Ekipmanı kilitleyebileceğiniz bir yerde tutun.
- Uzun süreli depolamadan önce ürünü temizleyin ve ürüne eksiksiz bir bakım yapın.
- Taşıma ve depolama sırasında yaralanmaları veya ürünün hasar görmesini önlemek için taşıma siperliğini kullanın.
- Taşıma sırasında ürünü güvenli bir şekilde sabitleyin.
- Ürünü yatay olarak saklayın veya ürünü birlikte verilen kancaya asın. Düşük sıcaklıklara yönelik doğru yağ için bkz. *Kancayı duvara monte etme sayfada: 455.*

(Şek. 51)

Akü, akü şarj cihazı ve ürünü atma

Aşağıdaki simge, ürünün evsel bir atık olmadığını gösterir. Ürünü, elektrikli ve elektronik ekipmanlar için bir geri dönüşüm istasyonunda geri dönüştürün. Bu, çevrenin ve insanların zarar görmemesine yardımcı olur.

Daha fazla bilgi için yerel yetkililerle, evsel atık servisiyle veya bayinizle görüşün.

(Şek. 18)

Not: Simge, ürün veya ürün paketi üzerinde gösterilir.

Teknik veriler

Teknik veriler

	Aspire T28-P4A
Motor	
Motor tipi	PMDC
Çıkış milinin devri, dev/dak	6800
Kesim genişliği, mm	280
Ağırlık	

	Aspire T28-P4A
Aküsüz ağırlık, kg	2,6
Akülü ağırlık (P4A 18-B45 / P4A 18-B70), kg	3,0/3,3
Gürültü emisyonu ⁶⁷	
Ses gücü düzeyi, ölçülmüş dB (A)	85
Ses gücü düzeyi, garantili L _{WA} dB (A)	88
Gürültü düzeyleri ⁶⁸	
EN ISO 50636-2-91'e göre ölçülen operatörün kulağındaki eş değer ses basıncı düzeyi, dB (A)	73
Titreşim düzeyleri ⁶⁹	
EN50636-2-91'e göre ölçülen tutma yerlerindeki titreşim düzeyleri, m/sn ²	2,26/1,61
Misina kafayla (orijinal) donatılmış, ön/arka.	

Akü	P4A 18-B45	P4A 18-B72
Tip	Lityum iyon	Lityum iyon
Akü kapasitesi, Ah	Akü nominal değerler çıkartmasına başvurun	Akü nominal değerler çıkartmasına başvurun
Nominal voltaj, V	18	18
Ağırlık, kg	0,4	0,7

Akü şarj cihazı	P4A 18-C70
Şebeke voltajı, V	220-240
Frekans, Hz	50-60
Güç, W	70
Çıkış Voltajı, V d.c./ Amper, A	14,4-18/3

⁶⁷ 2000/14/AT sayılı AT direktifi uyarınca ses gücü (L_{WA}) olarak çevrede ölçülen gürültü emisyonu düzeyi. Garantili ve ölçülmüş ses gücü arasındaki fark, garantili ses gücünün 2000/14/AT sayılı Direktif doğrultusunda ölçüm sonucundaki dağılımı ve aynı modelin farklı ürünleri arasındaki değişimleri de içermesidir.

⁶⁸ Ürünün eş değer ses basıncı düzeyi için bildirilen verilerdeki tipik istatistik dağılım (standart sapma) 3 dB (A) değerindedir.

⁶⁹ Titreşim düzeyi için bildirilen verilerdeki tipik istatistik dağılım (standart sapma) 1,5 m/sn² şeklindedir.

Aksesuarlar

Onaylı aksesuarlar

Onaylı aksesuarlar	Tip	Kesme ataşmanı sipertiđi, Ürün no.
Misina kafa	A15B M5 (Ø 1,6 mm misina)	536 47 32-01

Uyumluluk Bildirimi

AB Uyumluluk Bildirimi

Biz, **Husqvarna AB**, SE-561 82 Huskvarna, İsveç, tel: +46-36-146500 olarak tek sorumlu vasfıyla ürüne ilişkin aşağıdaki beyanlarda bulunmaktayız:

Açıklama	Akülü çim budayıcı
Marka	Husqvarna
Tip/Model	Aspire T28-P4A
Kimlik	2023 ve sonrası tarihli seri numaraları

aşağıdaki AB direktifleri ve yönetmelikleriyle tamamen uyumludur:

Direktif/Düzenleme	Açıklama
2006/42/AT	"makinelere ilgili"
2014/30/AB	"elektromanyetik uyumlulukla ilgili"
2000/14/AT	"çevredeki gürültü emisyonlarıyla ilgili"
2011/65/AB	"elektrikli ve elektronik ekipmanlarda belirli tehlikeli maddelerin kullanımının kısıtlanmasına ilişkin"

ve aşağıdaki standartlar ve/veya teknik özellikler uygulanmıştır: EN 60335-1:2012/A15:2021, EN 50636-2-91:2014, EN IEC 63000:2018, EN IEC 55014-1:2021; EN IEC 55014-2:2021.

Onaylanmış kuruluş: 0158 DEKRA Testing and Certification GmbH, Handwerkstraße 15, 70565 Stuttgart, Germany 2000/14/AT konsey direktifi, uyumluluk değerlendirme prosedürü: Ek VI ile uyumluluğu belgelemiştir.

Gürültü emisyonu ile ilgili bilgi için bkz. *Teknik veriler sayfa: 460*.

Huskvarna, 2023-12-14



Claes Losdal, AR-GE Müdürü, Husqvarna AB

Teknik dokümantasyon sorumlusu

Türk ithalat şirketi daha fazla bilgi için temas edilecek:
Çullas Orman Bahçe ve Tarım Mak. San. Tic. A.Ş.
Suadiye Mh. Bağdat Cd. No:455/4
Kadıköy – 34740 İstanbul / Türkiye
Telefon: +90 216 519 88 82
Faks: +90 216 519 88 78
info@cullas.com.tr



Lisanslar

Telif Hakkı © 2012–2020 STMicroelectronics

Garanti, normal aşınma ve yıpranma, ihmal, hatalı kullanım, yetkisiz onarım veya emme cihazının yanlış voltaja bağlanması sonucunda oluşan arızaları kapsamaz.

Tüm hakları saklıdır.

Kaynak ve ikili biçimlerde, değişiklik yapıp yapılmaması fark etmeksizin yeniden dağıtımına ve kullanımına, aşağıdaki koşulların karşılanması koşuluyla izin verilir:

- Kaynak kodun yeniden dağıtımı, yukarıdaki telif hakkı bildirimini, bu koşullar listesini ve aşağıdaki sorumluluk reddini içermelidir.
- İkili biçimdeki yeniden dağıtımlar, yukarıdaki telif hakkı bildirimini, bu koşullar listesini ve aşağıdaki sorumluluk reddini, dağıtımla birlikte sağlanan belgelerde ve/veya diğer malzemelerde yeniden oluşturmalıdır.
- STMicroelectronics'in adı veya katkıda bulunanların adları, önceden özel yazılı izin olmadan bu yazılımdan türetilen ürünleri desteklemek veya tanıtmak için kullanılamaz.

BU YAZILIM TELİF HAKKI SAHİPLERİ VE KATKIDA BULUNANLAR TARAFINDAN "OLDUĞU GİBİ" SAĞLANIR VE TİCARİ ELVERİŞLİLİK VE BELİRLİ BİR AMACA UYGUNLUK ZİMNİ GARANTİLERİ DAHİL ANCAK BUNLARLA SINIRLI OLMAMAK KAYDIYLA AÇIK VEYA ZİMNİ TÜM GARANTİLER REDDEDİLİR. TELİF HAKKI SAHİBİ VEYA KATKIDA BULUNANLAR, HİÇBİR DURUMDA; NEDEN OLSUN VE HERHANGİ BİR SORUMLULUK TEORİSİNE GÖRE İSTER SÖZLEŞMEDE, KUSURSUZ SORUMLULUK VEYA HAKSIZ FİİL (İHMAL VEYA BAŞKA BİR ŞEKİLDE) DURUMUNDA, BU TÜR BİR HASAR OLASILIĞI KONUSUNDA BİLDİRİLMİŞ OLSA BİLE BU YAZILIMIN KULLANIMINDAN HERHANGİ BİR ŞEKİLDE KAYNAKLANAN HİÇBİR DOĞRUDAN, DOLAYLI, ARIZİ, ÖZEL VEYA CEZAI HASARDAN (YEDEK ÜRÜN VEYA HİZMETLERİN TEDARİKİ); KULLANIM KAYBI, VERİ VEYA KÂR KAYBI; VEYA İŞİN KESİNTİSİ DAHİL ANCAK BUNLARLA SINIRLI OLMAMAK ÜZERE) SORUMLU TUTULAMAZ.

Apache 2.0 Lisansı

Telif Hakkı © 2009-2019 Arm Limited. Tüm hakları saklıdır.

Sürüm 2.0, Ocak 2004 <http://www.apache.org/licenses/>

KULLANIM, ÇOĞALTMA VE DAĞITIM İÇİN HÜKÜM VE KOŞULLAR

1. Tanımlar.

"**Lisans**", bu belgenin 1. ve 9. Bölümlerinde tanımlandığı şekilde kullanım, çoğaltma ve dağıtım için hüküm ve koşullar anlamına gelir. "**Lisans veren**", lisansı veren telif hakkı sahibi veya telif hakkı sahibi tarafından

yetkilendirilmiş kuruluş anlamına gelir. "**Tüzel Kişilik**", hareket eden tüzel kişinin ve bu tüzel kişiyi kontrol eden, bu tüzel kişi tarafından kontrol edilen veya bu tüzel kişilikle ortak kontrol altında olan diğer tüm tüzel kişilerin birliği anlamına gelir. Bu tanımın amaçları doğrultusunda, "**kontrol**" (i) sözleşmeyle veya başka bir şekilde, doğrudan veya dolaylı olarak bu tür bir kuruluşun yönlendirilmesi veya yönetilmesi gücü ya da (ii) tedavüldeki hisselerin yüzde elli (%50) veya daha fazlasına sahip olması ya da (iii) bu tür bir işletmenin intifa hakkı anlamına gelir. "**Siz**" (veya "**Sizin**"), bu Lisans tarafından verilen izinleri uygulayan bir birey veya Tüzel Kişilik anlamına gelir. "**Kaynak**" biçimi, yazılım kaynak kodu, belge kaynağı ve yapılandırma dosyaları dahil ancak bunlarla sınırlı olmamak üzere değişiklik yapmak için tercih edilen biçim anlamına gelir. "**Nesne**" biçimi, derlenen nesne kodu, oluşturulan belge ve diğer medya türlerine dönüştürme dahil ancak bunlarla sınırlı olmamak üzere, bir Kaynak biçimin mekanik dönüşümü veya çevrilmesinden kaynaklanan her türlü biçim anlamına gelir. "**Çalışma**", Kaynak ya da Nesne biçiminde, çalışmaya dahil edilen ya da çalışmaya eklenen bir telif hakkı bildiriyle belirtildiği gibi (aşağıdaki Ekte bir örnek verilmiştir) Lisans kapsamında sunulan yazırlık çalışması anlamına gelir. "**Türev Çalışmalar**", Kaynak ya da Nesne biçiminde, Çalışmaya dayanan (ya da çalışmadan türetilen) ve editoryal revizyonların, açıklamaların, ayrıntıların ya da diğer değişikliklerin bir bütün olarak orijinal bir yazırlık çalışmasını temsil ettiği herhangi bir çalışma anlamına gelir. Bu Lisansın amaçları doğrultusunda, Türev Çalışmalar, Çalışmanın ve Türev Çalışmalarının arayüzlerinden ayrılabilen veya yalnızca bu arayüzlere bağlanabilen (veya adla bağlanan) çalışmaları içermeyecektir. "**Katkı**", Çalışmanın orijinal sürümü ve bu Çalışmaya eklenen ya da Türev Çalışmalara yapılan herhangi bir değişiklik ya da ekleme de dahil olmak üzere, herhangi bir yazırlık çalışması anlamına gelecektir. Bu, telif hakkı sahibi tarafından veya telif hakkı sahibi adına gönderme yetkisine sahip bir kişi veya Tüzel Kişilik tarafından Çalışmaya dahil edilmek üzere Lisans Verene kasıtlı olarak gönderilir. Bu tanımın amaçları doğrultusunda "**gönderilen**"; Lisans Veren tarafından veya onun adına Çalışmayı tartışmak ve geliştirmek amacıyla yönetilen elektronik posta listeleri, kaynak kodu kontrol sistemleri ve sorun izleme sistemleri dahil ancak bunlarla sınırlı olmamak üzere Lisans Verene veya temsilcilerine gönderilen her türlü elektronik, sözlü veya yazılı iletişim anlamına gelir. Ancak telif hakkı sahibi tarafından "**Katkı Değildir**" olarak açıkça işaretlenen veya başka şekilde yazılı olarak belirtilen iletişim hariçtir. "**Katkıda Bulunan**", Lisans Veren ve Lisans Veren tarafından adına bir Katkı alınan ve ardından Çalışmaya dahil edilen herhangi bir birey veya Tüzel Kişilik anlamına gelir.

2. Telif Hakkı Lisansının Verilmesi.

Bu Lisansın hüküm ve koşullarına tabi olarak, her bir Katkıda Bulunan, Size; kalıcı, dünya çapında, münhasır olmayan, ücretsiz, telifsiz, Çalışmanın ve bu tür Türev Çalışmaların Kaynak veya Nesne biçiminde çoğaltılması, hazırlanması, halka açık olarak gösterilmesi, halka açık olarak icra edilmesi, alt lisansının verilmesine ve dağıtılmasına yönelik geri alınamaz telif hakkı lisansı vermektedir.

3. Patent Lisansının Verilmesi.

Bu Lisansın hüküm ve koşullarına tabi olarak, her bir Katkıda Bulunan, Size; satmayı teklif etmek, satmak, ithal etmek ve aksi halde Çalışmayı söz konusu lisansın yalnızca Katkılar tarafından tek başına veya Katkıları ile birlikte bu Katkıların gönderildiği Çalışmalarla birlikte zorunlu olarak ihlal edilen bu Katkıda Bulunan tarafından lisanslanabilir patent hak taleplerinin geçerli olduğu bir yere taşınmaz için kalıcı, dünya çapında, münhasır olmayan, ücretsiz, telifsiz, geri alınamaz (bu bölümde belirtilenler hariç) bir patent lisansı vermektedir. Çalışmanın veya Çalışmaya dahil edilmiş bir Katkının doğrudan veya katkıda bulunan patent ihlali teşkil ettiğini iddia eden herhangi bir kuruluşa karşı patent davası başlatırsanız (bir davada çapraz talep veya karşı iddia dahil), bu Çalışma için bu Lisans kapsamında Size verilen tüm patent lisansları, söz konusu dava açıldığı tarih itibarıyla feshedilecektir.

4. Yeniden dağıtım.

Aşağıdaki koşulları yerine getirmezseniz kaydıyla, Çalışmanın veya Türev Çalışmaların kopyalarını herhangi bir ortamda, değişiklik yapılarak veya yapılmayarak ve Kaynak ya da Nesne biçiminde çoğaltabilir ve dağıtabilirsiniz:

- Çalışma veya Türev Çalışmalarının diğer alıcılarına bu Lisansın bir kopyasını vermesini ve
- Değiştirilen dosyaların, dosyaları değiştirdiğinizi belirten belirgin bildirimler taşımasını sağlamalısınız; ve – Dağıttığınız herhangi bir Türev Çalışmanın Kaynak biçiminde, Çalışmanın Kaynak biçiminden tüm telif hakkı, patent, ticari marka ve atıf bildirimlerini, Türev Çalışmalarının herhangi bir bölümüyle ilgili olmayan bildirimler hariç tutmanız ve
- Çalışma, dağıtımının bir parçası olarak **"BİLDİRİM"** metin dosyası içeriyorsa daha sonra dağıttığınız herhangi bir Türev Çalışma, aşağıdaki yerlerden en az birinde, Türev Çalışmalarının herhangi bir bölümüyle ilgili olmayan bildirimler hariç üzere, bu BİLDİRİM dosyasında yer alan atıf bildirimlerinin okunabilir bir kopyasını içermelidir: Türev Çalışmaların bir parçası olarak dağıtılan bir BİLDİRİM metin dosyası içinde; Türev Çalışmalar ile birlikte sağlanmışsa Kaynak biçiminde veya belgeler içinde veya Türev Çalışmalar tarafından oluşturulan bir ekran içinde, bu tür üçüncü taraf bildirimlerinin normal olarak ortaya çıkması durumunda ve nerede olursa olsun. BİLDİRİM dosyasının içeriği yalnızca bilgi amaçlıdır ve Lisans değiştirmez. Bu tür ek atıf bildirimlerinin Lisansın değiştirilmesi olarak yorumlanamayacağı koşuluyla, Çalışmadan gelen BİLDİRİM metninin yanına veya

bir eki olarak, dağıttığınız Türev Çalışmalara kendi atıf bildirimlerinizi ekleyebilirsiniz. Değişikliklerinize kendi telif hakkı beyanınızı ekleyebilir ve Çalışmayı kullanımınız, çoğaltmanız ve dağıtımınız bu Lisansın koşulları ile uyumlu olması durumunda Değişiklikleriniz veya Türev Çalışmalarının tamamı için kullanım, çoğaltma veya dağıtım için ek veya farklı lisans hükümleri ve koşulları sağlayabilirsiniz.

5. Katkıların sunulması.

Aksini açık bir şekilde belirtmediğiniz sürece, Lisans Verene Çalışmaya dahil edilmek üzere kasıtlı olarak gönderilen herhangi bir Katkı, ek hüküm veya koşullar olmadan bu Lisansın hüküm ve koşulları kapsamında olacaktır. Yukarıdakilere bakılmaksızın, bu belgede yer alan hiçbir hüküm, Lisans Veren ile bu tür Katkılarla ilgili olarak yapmış olabileceğiniz ayrı bir lisans sözleşmesinin hükümlerinin yerine geçemez veya bu hükümlerde değişiklik yapamaz.

6. Ticari markalar.

Bu Lisans, Çalışmanın kökeninin açıklanması ve BİLDİRİM dosyasının içeriğinin çoğaltılmasında makul ve alışılmış kullanım için gerekli olanlar dışında, Lisans Veren'in ticari adlarının, ticari markalarının, hizmet markalarının veya ürün adlarının kullanılmasına izin vermez.

7. Garanti Reddi.

Yürürlükteki kanunlar gerektirmediği veya yazılı olarak kabul edilmediği sürece Lisans Veren Çalışmayı (ve her Katkıda Bulunan Katkılarını sağlar) "OLDUĞU GİBİ" temelinde, açık veya zımni olarak; UNVAN, İHLAL ETMEME, TİCARETE ELVERİŞLİLİK veya BELİRLİ BİR AMACA UYGUNLUK öğelerinin sınırlama olmadan tüm garantileri ve koşullarını da dahil olacak şekilde HERHANGİ BİR GARANTİ VEYA KOŞUL OLMADAN sağlar. Çalışmayı kullanmanın veya yeniden dağıtımının uygunluğunu belirlemek ve bu Lisans kapsamındaki izinleri uygulamanızla ilgili riskleri üstlenmek tamamen sizin sorumluluğunuzdadır. 8. Sorumluluğun Sınırlandırılması. Yürürlükteki kanunlar gerektirmedikçe (kasıtlı ve büyük ölçüde ihmalkarlık içeren eylemler gibi) veya yazılı olarak kabul edilmedikçe haksız fiil (ihmal dahil), sözleşme veya başka bir şekilde, hiçbir koşulda ve hiçbir yasal teori uyarınca, herhangi bir Katkıda Bulunan; doğrudan, dolaylı, özel, arzi ya da bu Lisansın sonucu olarak ya da kullanımdan veya Çalışmanın kullanılmasından veya kullanılmasından kaynaklanan (iyi niyet kaybı, çalışmanın durması, bilgisayar arızası ya da arızadan kaynaklanan zararlar dahil ancak bunlarla sınırlı olmamak üzere veya diğer tüm ticari hasar veya kayıplar) zararlardan, Katkıda Bulunana bu tür zararlardan olasılığı hakkında bilgi verilmiş olsa bile Size karşı sorumlu tutulamaz.

9. Garanti veya Ek Sorumluluğun Kabul Edilmesi.

Bu Çalışmanın veya Türev Çalışmaların yeniden dağıtımını yaparken, bu Lisans ile tutarlı destek, garanti,

tazminat veya diğer yükümlülükler ve/veya haklar için ücret teklif etmeyi ve talep etmeyi tercih edebilirsiniz. Ancak, bu tür yükümlülükleri kabul ederken, diğer herhangi bir katkıda bulunan adına değil, yalnızca Sizin adınıza ve Sizin sorumluluğunuzda hareket edebilirsiniz ve her bir Katkıda Bulunanı, herhangi bir sorumluluk

nedeniyle veya bu tür bir garantiyi veya ek yükümlülüğü kabul etmeniz nedeniyle bu Katkıda bulunana karşı ileri sürülen iddialar karşısında tazmin etmeyi, savunmayı ve zarardan muaf tutmayı kabul etmiş sayılırsınız. HÜKÜM VE KOŞULLARIN SONU

Зміст

Вступ.....	466	Транспортування, зберігання й утилізація.....	482
Безпека.....	468	Технічні характеристики.....	482
Збирання.....	476	Аксесуаря.....	484
Експлуатація.....	477	Декларація відповідності.....	485
ТЕХНІЧНЕ ОБСЛУГОВУВАННЯ.....	479	Ліцензії.....	486
Усунення несправностей.....	480	Додаток	507

Вступ

Опис виробу

Husqvarna Aspire T28-P4A – акумуляторний тример для трави з електричним двигуном.

Ми постійно працюємо над підвищенням вашої безпеки й ефективності роботи. По додаткову інформацію звертайтеся до свого сервісного дилера.

Призначення

Виріб використовується разом із головкою тримера для підстригання трави. Забороняється використовувати виріб для інших завдань, окрім підстригання й скошування трави.

Огляд виробу

(Мал. 1)

1. Головка тримера
2. Захисний кожух різальної насадки
3. Захисний кожух
4. Регулювання вала (телескопічний механізм)
5. Вал
6. Петельний тримач
7. Ревізійна кришка
8. Кнопка регулювання петельного тримача
9. Інтерфейс користувача
10. Індикатор попередження
11. Індикатор рівня заряду
12. Кнопка ввімкнення/вимкнення
13. Механічний пусковий пристрій
14. Фіксатор механічного пускового пристрою
15. Акумулятор (P4A 18-B45)
16. Кнопка для виймання акумулятора
17. Акумулятор (P4A 18-B72)
18. Зарядний пристрій (P4A 18-C70)
19. З'єднувач

Зверніть увагу: Норми внутрішнього законодавства можуть накладати обмеження на використання цього виробу.

Короткий посібник користувача

Відскануйте QR-код, щоб ознайомитися з порадами щодо використання виробу.

(Мал. 20)

20. Індикатор живлення / попереджувальний індикатор

21. Комбінований інструмент

22. Настінний гак

23. Гвинти й дюбелі для настінного гака

24. Посібник користувача

Символи на виробі

(Мал. 2) УВАГА! Цей виріб може бути небезпечним і здатний спричинити тяжкі травми або смерть оператора чи сторонніх осіб. Будьте обережні й використовуйте виріб належним чином.

(Мал. 3) Перед користуванням виробом уважно прочитайте посібник користувача й переконайтеся, що ви зрозуміли всі вказівки.

(Мал. 4) Користуйтеся засобами захисту очей.

(Мал. 5)	Захищайте від дощу.		переконайтеся, що ви зрозуміли всі вказівки.
(Мал. 6)	Етикетка щодо шумових викидів у навколишнє середовище відповідно до вимог директив і нормативних актів ЄС й Сполученого Королівства та Закону про збереження навколишнього середовища (контроль шуму) 2017 р. Нового Південного Уельсу. Гарантований рівень звукової потужності виробу вказано в розділі <i>Технічні характеристики на сторінці 482.</i>	(Мал. 4)	Користуйтеся засобами захисту очей.
(Мал. 7)	Перш ніж проводити технічне обслуговування, від'єднайте акумулятор.	(Мал. 5)	Захищайте від дощу.
(Мал. 8)	Цей виріб і його пакування не можна утилізувати разом із побутовими відходами. Утилізацію необхідно проводити на підприємстві з переробки відходів електричного й електронного обладнання.	(Мал. 6)	Етикетка щодо шумових викидів у навколишнє середовище відповідно до вимог директив і нормативних актів ЄС (зокрема законодавства Нового Південного Уельсу) і Сполученого Королівства. Дані про випромінювання шуму вказано на паспортній табличці пристрою, а також у розділі технічних характеристик.
(Мал. 9)	Остерігайтесь об'єктів, що можуть відлетіти.	(Мал. 7)	Перш ніж проводити технічне обслуговування, від'єднайте акумулятор.
(Мал. 10)	Не використовуйте металеві леза.	(Мал. 8)	Цей виріб і його пакування не можна утилізувати разом із побутовими відходами. Утилізацію необхідно проводити на підприємстві з переробки відходів електричного й електронного обладнання.
(Мал. 11)	Виріб відповідає належним вимогам директив EU.	(Мал. 9)	Остерігайтесь об'єктів, що можуть відлетіти.
(Мал. 12)	Виріб відповідає вимогам застосовних норм Сполученого Королівства.	(Мал. 10)	Не використовуйте металеві леза.
(Мал. 13)	Постійний струм.	(Мал. 11)	Виріб відповідає належним вимогам директив EU.
(Мал. 17)	Відстань між пристроєм і перехожими має бути не менше 15 м (50 футів).	(Мал. 13)	Постійний струм.
		(Мал. 17)	Відстань між пристроєм і перехожими має бути не менше 15 м (50 футів).
ууууwwxxxx	На табличці з паспортними даними чи на етикетці вказано серійний номер. уууу указує на рік виготовлення, а ww – на тиждень виготовлення.	ууууwwxxxx	На табличці з паспортними даними чи на етикетці вказано серійний номер. уууу указує на рік виготовлення, а ww – на тиждень виготовлення.

Символи на виробі

- (Мал. 2) УВАГА! Цей виріб може бути небезпечним і здатний спричинити тяжкі травми або смерть оператора чи сторонніх осіб. Будьте обережні й використовуйте виріб належним чином.
- (Мал. 3) Перед користуванням виробом уважно прочитайте посібник користувача й

Позначення на акумуляторі та/або на заряджальному пристрої

- (Мал. 18) Утилізувати виріб треба на підприємстві з переробляння відходів електричного й електронного обладнання. (Лише для країн Європи.)
- (Мал. 19) Використовуйте цей акумулятор лише у виробках партнерів Системи POWER FOR ALL.
- (Мал. 14) Захисний ізолювальний трансформатор.
- (Мал. 15) Заряджальний пристрій треба використовувати та зберігати лише в приміщенні.

(Мал. 16) Подвійна ізоляція.

Пошкодження виробу

Ми не несемо відповідальності за пошкодження, якщо:

- виріб було неправильно відремонтовано;
- виріб було відремонтовано із використанням деталей, виготовлених не виробником або не затверджених ним;
- виріб обладнано аксесуаром, виготовленим не виробником або не затвердженим ним;
- виріб було відремонтовано в неавторизованому сервісному центрі або неавторизованою компанією;

Виробник

Husqvarna AB
SE-561 82, Huskvarna, Sweden

Безпека

Визначення щодо безпеки

Попередження, застереження й примітки служать для наголошення на особливо важливих положеннях посібника.



ПОПЕРЕДЖЕННЯ: Вказує на те, що в разі порушення інструкцій, наведених у цьому посібнику, існує небезпека поранення або смерті оператора чи інших осіб, що знаходяться поруч.



УВАГА: Вказує на те, що в разі порушення інструкцій, наведених у цьому посібнику, існує небезпека пошкодження виробу, інших матеріалів або навколишніх об'єктів.

Зверніть увагу: Використовується для надання додаткової інформації щодо певної ситуації.

Загальні правила безпеки при роботі з електроінструментами



ПОПЕРЕДЖЕННЯ: Прочитайте всі попередження та всі інструкції. Недотримання попереджень та інструкцій

може призвести до ураження електричним струмом, пожежі та/або серйозних травм.

Зверніть увагу: Збережіть усі попереджувальні знаки й інструкції для звернення до них у майбутньому. Терміном «електроінструмент» у попередженнях позначається ваш електроінструмент, який працює від електромережі (з кабелем), або акумуляторний (безпровідний) електроінструмент.

Перш ніж починати роботу

- Завжди виймайте акумулятор, щоб уникнути випадкового вмикання виробу. Завжди виймайте акумулятор перед виконанням технічного обслуговування виробу.
- Перед початком використання виробу та після того, як він зазнав будь-якого удару, перевірте його на ознаки зношеності чи пошкодження та відремонтуйте за потреби.
- Перевірте робочу зону. Приберіть усі незакріплені предмети на кшталт камення, розбитого скла, цвяхів, сталевих дротів, мотузок тощо, які можуть відскочити чи намотатися на різальний інструмент чи його кожух.
- Перевірте двигун на наявність бруду та тріщин. Очистьте двигун від трави й листя за допомогою щітки. За необхідності треба надягати рукавички.

- Упевніться, що головка тримера повністю під'єднана до тимера.
- Переконайтеся, що виріб у справному стані. Переконайтеся, що гайки й гвинти затягнуто належним чином.
- Переконайтеся, що головка й захисний кожух тримера не мають тріщин і не пошкоджені. Замініть головку тримера та захисний кожух, якщо вони зазнали удару або мають тріщини. Завжди використовуйте кожух, що рекомендований для встановленої різальної насадки. Дивіться розділ «Технічні дані».
- Під час роботи в радіусі 15 метрів від користувача виробу не повинно бути людей або тварин. Коли в одному місці застосовують декілька виробів, безпечна відстань між операторами має становити принаймні 15 метрів.
- Перед початком роботи повністю огляньте виріб. Дивіться графік технічного обслуговування.
- Дотримуйтеся вимог національних чи місцевих норм, що стосуються поводження з пристроєм.

Безпека в робочій зоні

- **Забезпечуйте порядок та добре освітлення в робочій зоні.** Безлад і погане освітлення сприяють нещасним випадкам.
- **Не використовуйте електроінструмент у вибухонебезпечному середовищі, наприклад, у присутності вогненебезпечних рідин, газів або пилу.** Електроінструменти утворюють іскри, які можуть запалити пил або випари.
- **Не підпускайте до себе дітей та сторонніх осіб, коли працюєте з електроінструментом.** Ви можете відволіктися та втратити контроль.

Електробезпека

- **Вилки інструментів повинні підходити до розетки.** У жодному разі не змінюйте вилку будь-яким чином. Під час роботи із заземленими електроінструментами не використовуйте будь-які перехідники. Незмінені вилки та відповідні розетки зменшують ризик враження електричним струмом.
- **Уникайте тілесного контакту із заземленими поверхнями, такими як труби, радіатори, кухонні плити та холодильники.** Існує підвищений ризик враження електричними струмом, якщо ваше тіло заземлене.
- **Захищайте інструмент від дощу та вологи.** Потрапляння води в інструмент збільшує загрозу ураження електричним струмом.
- **Використовуйте кабель лише за призначенням.** Ніколи не використовуйте кабель для перенесення чи перетягування предметів і не тягніть за нього, щоб вийняти вилку з розетки. Тримайте кабель подалі від джерела тепла, масла, гострих країв або рухомих деталей. Пошкоджений чи заплутаний кабель збільшує ризик враження електричним струмом.

- **Під час експлуатації електроінструмента надворі використовуйте подовжувальний кабель, що підходить для застосування надворі.** Використання кабелю, який підходить для застосування надворі, зменшує ризик враження електричним струмом.
- **Якщо застосування електроінструменту у вологому середовищі є обов'язковим, використовуйте джерело живлення, обладнане пристроєм захисного відключення (ПЗВ).** Використання ПЗВ знижує ризик ураження електричним струмом.

Особиста безпека

- **Будьте пильними, слідкуйте за тим, що робите та дотримуйтеся правил здорового глузду під час експлуатації електроінструмента.** Не використовуйте електроінструмент, коли ви стомлені або перебуваєте під впливом наркотиків, алкоголю або лікарських засобів. Втрата уваги на мить під час експлуатації електроінструмента може призвести до серйозної травми.
- **Використовуйте засоби індивідуального захисту.** Обов'язково необхідно користуватися засобами захисту для очей. Захисне спорядження, наприклад респіратор, черевики з нековзною підшвою, каска або захисні навушники за використання у відповідних умовах зменшують ризик травмування.
- **Запобігайте випадковому запуску.** Переконайтеся в тому, що вимикач перебуває у вимкненому положенні, перш ніж підключати інструмент до джерела живлення й / або акумуляторного блока, піднімати або переносити його. Не переносьте електроінструменти, тримаючи палець на вимикачі, і не пускайте напругу на електроінструменти, які увімкнено. Це може призвести до нещасних випадків.
- **Перед вмиканням інструмента приберіть будь-які регульовальні або гайкові ключі.** Якщо залишити на обертальній частині гайковий ключ або гайковий вороток, це може призвести до травм.
- **Не тягніться. Завжди стійте твердо на ногах, підтримуйте баланс.** Це дозволить краще контролювати електроінструмент у несподіваних ситуаціях.
- **Одягайтеся правильно. Не вдягайте просторий широкий одяг, не надягайте на себе ювелірні вироби.** Тримайте волосся й одяг подалі від рухомих частин. Просторий широкий одяг, ювелірні вироби або довге волосся можуть потрапити в рухомі деталі.
- **У разі наявності обладнання з видалення й збору пилу переконайтеся в тому, що воно під'єднано та використовується правильно.** Використання обладнання для збору пилу зменшує ризики, поєднані з пилом.
- **Досвід роботи, отриманий під час регулярного використання цього інструмента, не має**

бути підставою для самовпевненості під час експлуатації виробу й ігнорування правил техніки безпеки. Необережні дії можуть миттєво призвести до тяжких травм.

- Рівень вібрації при експлуатації електроінструмента може відрізнятись від заявленого загального значення залежно від способу використання інструмента. Оператори повинні визначити належні заходи безпеки, виходячи з оцінки небезпек у реальних умовах експлуатації (з урахуванням всіх етапів робочого циклу - у тому числі, коли інструмент вимкнений або працює без навантаження (на додаток до часу роботи після запуску курком)).

Експлуатація та догляд за електроінструментом

- **Не прикладайте силу до електроінструмента. Вибирайте електроінструмент, що підходить для ваших потреб.** Електроінструмент краще, безпечніше та швидше виконає ту роботу, для якої він призначений.
- **Не використовуйте електроінструмент, якщо вимикач не працює.** Будь-який електроінструмент, яким неможливо керувати за допомогою вимикача, є небезпечним та підлягає ремонту.
- **Перед тим як виконувати будь-які налаштування, замінювати приладдя або залишати інструмент на зберігання, витягніть штекер із розетки живлення й / або знімний акумуляторний блок з електроінструмента.** Такі запобіжні заходи зменшують ризик ненавмисного запуску електроінструмента.
- **Вимкнені електроінструменти зберігайте в недоступному для дітей місці й не дозволяйте користуватися ними особам, які не ознайомилися з роботою електроінструмента або з цією інструкцією.** Електричні інструменти становлять небезпеку в руках невідготовлених користувачів.
- **Виконуйте технічне обслуговування електроінструментів і приладдя. Перевіряйте електроінструмент на предмет зміщення чи вигину рухомих деталей, поломок деталей та будь-якого іншого стану, що може негативно позначитися на його роботі.** У разі пошкодження відремонтуйте електроінструмент, перш ніж користуватися ним. Багато нещасних випадків виникають внаслідок недостатнього технічного обслуговування електричних інструментів.
- **Підтримуйте різальні елементи в нагостреному та чистому стані.** Різальні елементи, що добре обслуговуються та мають гострі різальні кромки, будуть легше керуватися та з меншою імовірністю будуть заклинати.
- **Використовуйте електроінструмент, приладдя та різці у відповідності з цією інструкцією, враховуючи умови та характер роботи, яку потрібно виконати.** Використання електроінструмента для виконання

непередбачених операцій може призвести до небезпечної ситуації.

- **Рукоятки та поверхні для тримання мають бути сухими, чистими й знежиреними.** Неможливо надійно тримати інструмент за слизькі рукоятки чи інші поверхні або керувати ним у непередбачених ситуаціях.

Використання інструментів з акумуляторною батареєю та догляд за ними

- **Зарядку батареї слід здійснювати виключно за допомогою зарядного пристрою, зазначеного виробником.** Використання зарядного пристрою, призначеного для роботи з батареями одного типу, з батареями іншого типу може спричинити пожежу.
- **Використовуйте пристрої лише із сумісними акумуляторними блоками.** Використання акумуляторних батарей інших типів може призвести до травмування чи пожежі.
- **Якщо акумуляторний блок не використовується, слід тримати його подаль від металевих предметів, таких як скріпки, монети, ключі, цвяхи, гвинти й інші дрібні металеві предмети, які можуть з'єднати один контакт батареї з іншим.** Замикання контактів акумулятора може призвести до опіків або пожежі.
- **У разі неправильного застосування з акумулятора може випліскуватися рідина; уникайте контакту з нею.** При випадковому контакті промийте місце контакту водою. В разі потрапляння рідини в очі на додаток до їхнього інтенсивного промивання зверніться по медичну допомогу. Рідина з акумуляторної батареї може викликати подразнення та опіки.
- **Не використовуйте пошкоджені чи змінений акумуляторний блок або інструмент.** Із пошкодженими чи виводоміненими батареями може статися непередбачуване: вони можуть зайнятися, вибухнути або створити інший ризик травмування оператора.
- **Захищайте акумуляторний блок та інструмент від вогню й надмірних температур.** Під впливом вогню або температури понад 130 °C (265°F) може статися вибух.
- **Дотримуйтеся всіх інструкцій із заряджання й не заряджайте акумуляторний блок чи інструмент поза межами діапазону температур, зазначеного в інструкціях.** Неналежне заряджання за температури поза межами зазначеного діапазону може пошкодити акумулятор і підвищує ризик займання.

Обслуговування

- **Сервісне обслуговування електроінструмента повинен виконувати кваліфікований майстер з використанням лише ідентичних запасних частин.** Це гарантуватиме підтримання безпечної роботи електроінструмента.

- **За жодних умов не виконуйте технічного обслуговування пошкоджених акумуляторних блоків.** Технічне обслуговування акумуляторних блоків мають виконувати лише спеціалісти виробника або вповноваженого постачальника послуг.

Завжди використовуйте здоровий глузд

Неможливо передбачити в посібнику всі ситуації, які можуть виникнути під час використання пристрою. Завжди будьте обережні та керуйтеся здоровим глуздом. Уникайте ситуацій, які виходять за межі ваших можливостей. Якщо після ознайомлення з інструкціями у вас залишається сумнів щодо того, як користуватися інструментом, перед продовженням необхідно проконсультуватися у спеціаліста.



ПОПЕРЕДЖЕННЯ: Ніколи не дозволяйте дітям використовувати інструмент чи знаходитися біля нього. Оскільки запустити пристрій досить просто, діти можуть це зробити, якщо залишити їх без нагляду. Це може означати ризик серйозної травми. Тому слід від'єднувати елемент живлення, якщо пристрій перебуває без нагляду.

Загальні правила техніки безпеки



ПОПЕРЕДЖЕННЯ: Перш ніж розпочати використання виробу, уважно прочитайте наведені нижче попередження.

- Виймайте акумулятор, щоб уникнути випадкового вмикання виробу.
- У разі неправильного або недбалого використання цей виріб може становити небезпеку. Він може спричинити серйозні травми або загибель оператора чи сторонніх осіб.
- Не використовуйте виріб у разі зміни його початкових технічних характеристик. Не замінюйте деталі виробу без дозволу виробника. Використовуйте лише сертифіковані виробником деталі. Неправильне технічне обслуговування може призвести до травм або смерті.
- Перевірте виріб перед використанням. Див. *Перш ніж починати роботу на сторінці 468* і *Перед початком роботи з виробом на сторінці 477*. Не використовуйте виріб, який пошкоджений або не працює належним чином. Вживайте заходи техніки безпеки та дотримуйтеся вказівок із технічного обслуговування, наведених у цьому посібнику.
- Необхідно наглядати за дітьми, щоб вони не гралися з цим виробом. Ніколи не дозволяйте дітям або невідготовленим людям використовувати виріб і / або акумулятор чи здійснювати його технічне обслуговування. Вік

користувача може регламентуватися місцевими законами.

- Зберігайте виріб у закритому приміщенні, куди не матимуть доступу діти й особи без належної підготовки.
- Зберігайте акумулятор у недосяжному для дітей місці.
- За жодних обставин не змінюйте конструкцію виробу без дозволу виробника. Використовуйте лише оригінальні приладдя. Застосування недозволених модифікацій чи приладдя може призвести до тяжкої чи смертельної травми користувача чи інших осіб.

Зверніть увагу: Дотримуйтеся вимог державних чи місцевих норм, що стосуються поводження з пристроєм.

Правила техніки безпеки під час використання виробу



ПОПЕРЕДЖЕННЯ: Перш ніж розпочати використання виробу, уважно прочитайте наведені нижче попередження.

- **Не використовуйте інструмент за поганих погодних умов, особливо якщо є ризик удару блискавки.** Недотримання цієї вимоги підвищує ризик удару блискавкою.
- **Ретельно огляньте ділянку, де використовуватиметься інструмент, на наявність будь-якої живності.** Під час використання інструмента ви можете завдати шкоди тваринам.
- **Ретельно перевірте ділянку, де використовуватиметься пристрій, і приберіть каміння, палиці, проводи, кістки й інші сторонні предмети.** Предмети, що розлітаються, можуть спричинити серйозні травми.
- **Перед використанням інструмента завжди оглядайте фрезу й різальний пристрій на наявність пошкоджень.** Пошкоджені деталі підвищують ризик травмування.
- **Захист має бути встановлено на своєму місці. Захист повинен перебувати в робочому стані й має бути належним чином установлений.** Погано закріплений, пошкоджений або не функціонуючий належним чином захист може призвести до травмування.
- **Не допускайте засмічення вентиляційних отворів.** Заблоковані вентиляційні отвори та сміття можуть призвести до перегріву або виникнення пожежі.
- **Завжди надягайте засоби захисту очей і захисні навушники.** Відповідне захисне обладнання зменшить ризик травмування.
- **Працюйте з інструментом завжди в захисному взутті, що не ковзає. Не використовуйте інструмент босоніж або у відкритих сандалях.** Це

зменшує ймовірність травмування ніг від контакту з рухомою фрезею.

- **Під час використання інструмента необхідно носити штани, що закривають ноги.** Контакт із рухомою фрезею або волосіням може призвести до травмування.
- **Не пускайте сторонніх осіб у робочу зону.** Сміття, що розлітається, може призвести до серйозних травм.
- **Під час використання інструмента не підіймайте його вище поясу.** Це допоможе уникнути небажаних контактів із фрезею та дасть змогу краще контролювати інструмент у непередбачених ситуаціях.
- **Будьте обережні під час використання інструмента в мокрій траві. Пересувайтеся повільно, ніколи не біжіть.** Це зменшує ризик ковзання та падіння, яке може призвести до травмування.
- **Не використовуйте інструмент на надмірно крутих схилах.** Це зменшує ризик втрати контролю, ковзання та падіння, яке може призвести до травмування.
- **Під час роботи на схилах завжди впевнено стійте на ногах, косіть поперек схилів і ніколи вгору або вниз, і будьте надзвичайно обережні під час зміни напрямку.** Це зменшує ризик втрати контролю, ковзання та падіння, яке може призвести до травмування.
- **Тримайте всі силові кабелі подалі від зони скошування.** Під час роботи можна не помітити силові кабелі в кущах і випадково перерізати або пошкодити їх волосіням або фрезею.
- **Не наближайте будь-які частини тіла до рухомої фрези тримера або волосіні.** Перш ніж чистити інструмент, від'єднайте його від джерела живлення. Контакт із рухомою фрезею або волосіням може призвести до серйозної травми.
- **Носіть інструмент вимкненим і тримайте при цьому подалі від тіла.** Правильне поводження з інструментом зменшить ймовірність випадкового контакту з рухомою фрезею тримера або волосіням.
- **Використовуйте лише змінні різальні головки й фрези тримера або волосіні, узказані виробником.** Не використовуйте замість фрези тримера або волосіні металеві дроти або леза. Неправильні змінні деталі можуть призвести до втрати контролю, полонки та травми.

Засоби індивідуального захисту



ПОПЕРЕДЖЕННЯ: Перш ніж розпочати використання виробу, уважно прочитайте наведені нижче попередження.

- Під час роботи з виробом завжди використовуйте сертифіковані засоби індивідуального захисту. Засоби індивідуального захисту не можуть

повністю усунути небезпеку травмування, але в разі нещасного випадку знизять ступінь тяжкості травми. Дозвольте дилеру допомогти вам із вибором відповідного обладнання.

- Користуйтеся затвердженими захисними навушниками.

(Мал. 21)

- Користуйтеся відповідними засобами захисту очей. У разі використання захисної маски необхідно додатково вдягати схвалені захисні окуляри. Схвалені захисні окуляри мають відповідати стандарту ANSI Z87.1 у США або EN 166 у країнах ЄС.

(Мал. 22)

- За потреби використовуйте рукавиці, наприклад якщо необхідно приєднати, оглянути або почистити різальне обладнання.

(Мал. 23)

- Використовуйте захисне взуття зі сталевими носками й неслизькою підошвою.

(Мал. 24)

- Використовуйте одяг, виготовлений із міцної тканини. Завжди використовуйте довгі штани з міцної тканини й сорочку з довгими рукавами. Уникайте надто просторого одягу, який може зачепитися за сучки або гілки. Не надягайте на час роботи прикраси, короткі штани чи сандалії. Не ходіть босоніж. Заколуйте волосся вище рівня плечей.
- Тримайте під рукою аптечку.

(Мал. 25)

Запобіжне обладнання на виробі



ПОПЕРЕДЖЕННЯ: Перш ніж розпочати використання виробу, уважно прочитайте наведені нижче попередження.

У цьому розділі описано засоби безпеки виробу, його призначення, а також порядок виконання перевірок і технічного обслуговування, необхідний для забезпечення його правильної роботи. Див. інструкції в розділі *Вступ на сторінці 466* щодо розташування цих деталей на виробі.

Термін служби виробу може зменшитись, а небезпека виникнення нещасних випадків збільшиться, якщо його технічне обслуговування виконується неправильно або якщо обслуговування та / або ремонт виконуються непрофесійно. Для отримання додаткової інформації зверніться до найближчого сервісного дилера.



ПОПЕРЕДЖЕННЯ: Не використовуйте виріб із пошкодженими елементами захисту. Захисне обладнання виробу потрібно перевіряти й здійснювати

його технічне обслуговування згідно з указівками, поданими в цьому розділі. Якщо виріб не відповідає хоча б одній із вимог перевірки, зверніться до центру обслуговування для ремонту.



УВАГА: Щоб проводити обслуговування та роботи з ремонту, потрібно мати спеціальну підготовку. Це особливо стосується захисного обладнання інструмента. Якщо інструмент не відповідає прийнятні одній із вимог перевірки, що наведені нижче, зверніться до працівника центру обслуговування. Купуючи будь-який наш виріб, ви отримуєте гарантію на професійний ремонт та обслуговування. Якщо продавець, у якого ви купуєте інструмент, не надає послуг з обслуговування, дізнайтеся в нього, де знаходиться найближчий центр обслуговування.

Перевірка інтерфейсу користувача

Коли пристрій увімкнено, але не використовується, зелені світлодіоди (А) показують стан заряду акумулятора.

1. Натисніть і втримуйте кнопку ввімкнення/вимкнення (В). (Мал. 26)
 - а) Коли зелені світлодіоди (А) горять, це означає, що виріб увімкнено.
 - б) Коли зелені світлодіоди (А) не горять, це означає, що виріб вимкнено.
2. Дивіться розділ *Усунення несправностей на сторінці 480* якщо горить або блимає індикатор попередження (С).

Перевірка фіксатора механічного пускового пристрою

Фіксатор механічного пускового пристрою запобігає випадковому запуску. Коли ви натискаєте на фіксатор (А), він розблоковує механічний пусковий пристрій (В). Коли ви випускаєте рукоятку з рук, фіксатор і механічний пусковий пристрій повертаються в початкове положення. (Мал. 27)

1. Переконайтеся, що механічний пусковий пристрій заблоковано, коли фіксатор механічного пускового пристрою перебуває у вихідному положенні.

(Мал. 28)

2. Натисніть механічний пусковий пристрій і переконайтеся, що він повертається до початкового положення, коли ви відпускаєте його.

(Мал. 29)

3. Переконайтеся, що механічний пусковий пристрій і фіксатор рухаються вільно, а зворотна пружина працює належним чином.

(Мал. 30)

4. Запустіть виріб. Дивіться розділ *Запуск виробу на сторінці 478*.

5. Відпустіть механічний пусковий пристрій і переконайтеся в тому, що різальна насадка зупинилася.

Перевірка захисного кожуха ріжучої насадки



ПОПЕРЕДЖЕННЯ:

Забороняється використовувати ріжучу насадку без сертифікованого й правильно встановленого захисного кожуха. Використовуйте лише рекомендований для вашої різальної насадки захисний кожух. Див. *Технічні характеристики на сторінці 482*. Використання несправного чи несумісного захисного кожуха різальної насадки може спричинити тяжкі травми.

Захисний кожух шини пилки захищає від відкидання предметів у напрямку оператора. Захисний кожух різальної насадки також запобігає травмуванню в результаті торкання різальної насадки.

1. Зупиніть двигун.
2. Проведіть візуальну перевірку на предмет пошкоджень на кшталт тріщин.
3. Якщо захисний кожух ріжучої насадки пошкоджений, замініть його.

Різальне обладнання

Вибирайте правильне різальне обладнання й виконуйте технічне обслуговування різального обладнання, щоб:

- отримати максимальну продуктивність різання;
- збільшити термін служби різального обладнання.



ПОПЕРЕДЖЕННЯ:

Користуйтеся різальними насадками лише з рекомендованими кожухами! Див. *Технічні характеристики на сторінці 482*. Щоб вибрати правильний спосіб устанавлення нитки тримера та її правильний діаметр, дивіться вказівки щодо різальних насадок.



ПОПЕРЕДЖЕННЯ: Несправна різальна насадка може підвищувати вірогідність виникнення нещасних випадків.

Головка тримера



ПОПЕРЕДЖЕННЯ: Обов'язково переконайтеся, що нитка тримера надійно й рівномірно намотана на барабан, інакше під час роботи може виникати шкідлива вібрація.

(Мал. 31)

- Використовуйте лише рекомендовані головки й нитки тримера.
- Користуйтеся лише рекомендованими різальними насадками.
- Для інструмента меншого розміру потрібні менші тримерні головки й навпаки.
- Довжина нитки тримера має значення. Довша нитка тримера вимагає потужнішого двигуна, ніж коротша нитка такого ж діаметру.
- Переконайтеся, що ніж на кожусі тримера в порядку. Він обрізує нитку до потрібної довжини.
- Щоб збільшити термін служби нитки тримера, її можна вимочувати у воді протягом декількох днів.

Заходи безпеки під час роботи з акумуляторами



ПОПЕРЕДЖЕННЯ: Прочитайте всі загальні інструкції та інструкції щодо техніки безпеки. Недотримання загальних інструкцій та інструкцій щодо техніки безпеки може призвести до ураження електричним струмом, пожежі та/або тяжкого травмування. **Збережіть інформацію щодо правил техніки безпеки й загальні інструкції для подальшого користування.**

- Ці інструкції щодо техніки безпеки застосовуються лише до літій-іонних акумуляторів на 18 В системи POWER FOR ALL.
- Використовуйте акумулятор лише у виробх партнерів системи POWER FOR ALL. Акумулятори на 18 В із маркуванням POWER FOR ALL цілковито сумісні з такими виробами:
 - усі вироби з акумуляторною системою POWER FOR ALL на 18 В;
 - усі вироби на 18 В партнерів системи POWER FOR ALL.
- **Дотримуйтеся рекомендацій щодо акумулятора, які містяться в посібнику з експлуатування вашого виробу.** Тільки таким чином акумуляторну

батарей та виріб можна експлуатувати без небезпеки, а акумуляторні батареї будуть захищені від небезпечного перевантаження.

- **Заряджайте акумулятори лише за допомогою заряджальних пристроїв, рекомендованих виробником або партнерами системи POWER FOR ALL.** Заряджальний пристрій для акумуляторів певного типу може створювати ризик пожежі в разі використання з іншим акумулятором.
- **Акумулятори постачаються частково зарядженими.** Щоб забезпечити повну ємність акумулятора, перед першим використанням електроінструмента повністю зарядіть акумулятор у заряджальному пристрої.
- **Зберігайте блоки акумулятора в недоступному для дітей місці.**
- **Не відкривайте акумулятор.** У цьому разі існує ризик короткого замикання.
- **У разі пошкодження та неправильного використання акумулятора можливий викид випаровувань. Акумулятор може спалахнути або вибухнути.** Переконайтеся, що приміщення добре провітрюється, а якщо відчуєте будь-які несприятливі наслідки, зверніться по медичну допомогу. Випаровування можуть викликати подразнення дихальної системи.
- **У разі неправильного використання або пошкодження акумуляторів із них може витікати легкозаймиста рідина. Уникайте контактів із цією рідиною. У разі випадкового контакту з нею промийте місце контакту водою. Якщо рідина потрапить в очі, зверніться по додаткову медичну допомогу.** Рідина, виплеснута з акумулятора, може викликати подразнення або опіки.
- **У разі пошкодження акумулятора рідина може вилитись і забруднити прилегли поверхні. Перевірте частини, які перебували під впливом.** Очистьте ці частини або замініть їх у разі потреби.
- **Уникайте коротких замикань в акумуляторних блоках.** Якщо акумуляторний блок не використовується, треба тримати його подалі від металевих об'єктів, як-от скріпки, монети, ключі, цвяхи, гвинти й інші дрібні металеві предмети, які можуть з'єднати одну клему акумулятора з іншою. Замикання контактів акумулятора може призвести до опіків або пожежі.
- **Акумулятор можна пошкодити гострими предметами, як-от цвяхи чи викрутки, або докладанням зовнішнього зусилля.** Може статися внутрішнє коротке замикання, яке спричинить горіння, задимлення, вибух або перегрівання.
- **За жодних умов не виконуйте технічне обслуговування пошкоджених акумуляторних блоків.** Технічне обслуговування акумуляторних блоків мають виконувати лише спеціалісти виробника або повноваженого постачальника послуг.

- **Захищайте акумулятор від нагрівання, наприклад безперервним інтенсивним сонячним світлом чи вогнем, а також від бруду, води й вологи.** Існує ризик вибуху й короткого замикання.
- **Використовуйте акумулятор виробу лише за температури навколишнього середовища в межах -5 °C — 40 °C.**
- **Зберігайте акумулятор лише за температури навколишнього середовища в межах -20 °C — 50 °C.** Не залишайте акумулятор у машині, наприклад улітку. За температури <0 °C у деяких пристроях може забракнути живлення.
- **Заряджайте акумулятор лише за температури навколишнього середовища (у діапазоні 0 °C — 35 °C).** Заряджання за межами зазначеного температурного діапазону збільшує ризик пошкодження акумулятора та створює небезпеку пожежі.

Заходи безпеки під час роботи із зарядним пристроєм



ПОПЕРЕДЖЕННЯ: Прочитайте всі загальні інструкції та інструкції щодо техніки безпеки. Недотримання загальних інструкцій та інструкцій щодо техніки безпеки може призвести до ураження електричним струмом, пожежі та/або тяжкого травмування. **Зберігайте ці інструкції в безпечному місці.** Використовуйте заряджальний пристрій, лише якщо ви можете оцінити всі функції та користуватися ними без обмежень або якщо дістали відповідні інструкції.

- Під час використання, чищення та обслуговування акумулятора стежте за дітьми. Це гарантує, що діти не гратимуться із заряджальним пристроєм.
- Заряджайте тільки літій-іонні акумулятори системи POWER FOR ALL на 18 В ємністю 1,5 А·год або більше (5 акумуляторних елементів або більше). Напруга акумулятора має відповідати напрузі заряджального пристрою для заряджання акумулятора. **Не заряджайте акумулятори, не призначені для перезаряджання.** Інакше існує ризик пожежі або вибуху.
- **Не тримайте заряджальний пристрій під дощем або у вологому середовищі.** Потраплення води в інструмент підвищує ризик ураження електричним струмом.
- **Тримайте заряджальний пристрій у чистоті.** Забруднення збільшує ризик ураження електричним струмом.
- **Перед використанням завжди перевіряйте заряджальний пристрій, кабель і вилку.** Якщо виявите будь-які пошкодження, припиніть використовувати заряджальний пристрій. **Не відкривайте заряджальний пристрій самостійно – його ремонт може здійснювати лише**

кваліфікований фахівець із використанням тільки оригінальних запасних частин. Пошкоджений заряджальний пристрій, кабель або вилка збільшують ризик ураження електричним струмом.

- **Не використовуйте заряджальний пристрій на легкозаймистій поверхні (наприклад, на папері, тканині тощо) або в легкозаймистому середовищі.** Існує ризик пожежі через нагрівання заряджального пристрою під час роботи.
- **Заряджати акумулятор треба виключно за допомогою заряджального пристрою, зазначеного виробником.** Використання заряджального пристрою, призначеного для роботи з акумуляторами одного типу, з акумуляторами іншого типу може призвести до пожежі.
- **У разі пошкодження та неправильного використання акумулятора також можливий викид випаровувань.** Переконайтеся, що приміщення добре провітрюється, а якщо відчуєте будь-які несприятливі наслідки, зверніться по медичну допомогу. Випаровування можуть викликати подразнення дихальної системи.
- **У разі неналежного застосування може відбутися викид рідини з акумулятора.** Уникайте контактів із цією рідиною. У разі випадкового контакту з нею промийте місце контакту водою. Якщо рідина потрапить в очі, зверніться по додаткову медичну допомогу. Рідина, виплеснута з акумулятора, може викликати подразнення або опіки.
- **Не закривайте вентиляційні отвори заряджального пристрою.** Інакше заряджальний пристрій може перегртітись і перестати працювати належним чином.
- **Щоб уникнути небезпеки, замінювати кабель живлення, коли в цьому виникає потреба, мають Husqvarna або центр обслуговування клієнтів, уповноважений ремонтувати електроінструменти Husqvarna.**
- **Вироби, продані виключно у Великій Британії:** Ваш виріб оснащено схваленою за стандартом BS 1363/A електричною вилкою з внутрішнім запобіжником (ASTA схвалено за стандартом BS 1362). Якщо вилка непридатна для вашої розетки, треба відрізати її та встановити на її місце відповідну вилку за допомогою агента авторизованої служби підтримки клієнтів. Вилка для заміни повинна мати той самий номінал запобіжника, що й оригінальна. Треба утилізувати відрізану вилку, щоб уникнути можливого ураження електричним струмом, і ніколи не вставляти її в будь-яку розетку.



ПОПЕРЕДЖЕННЯ: Зупинка серця! Під час роботи цього виробу утворюється електромагнітне поле. Це поле за певних умов може взаємодіяти з активними чи пасивними медичними імплантатами.

Щоб зменшити ризик тяжких або смертельних травм, рекомендуємо особам із медичними імплантатами проконсультуватися зі своїм лікарем і виробником медичного імплантату перед початком експлуатування цього виробу.



ПОПЕРЕДЖЕННЯ: Небезпека задущення! Дрібні деталі можна легко проковтнути. Крім того, для дітей існує небезпека задущення поліетиленовим пакетом. Під час монтажу стежте, щоб маленькі діти були на безпечній відстані.

Правила техніки безпеки під час обслуговування



ПОПЕРЕДЖЕННЯ: Перш ніж розпочати технічне обслуговування виробу, уважно прочитайте наведені нижче попередження.

- Перед технічним обслуговуванням, іншими перевірками чи монтажем виробу необхідно виймати акумулятор.

- Оператор має виконувати лише ті види технічного обслуговування, що описані в цьому посібнику користувача. У разі необхідності виконання складніших робіт із технічного обслуговування слід звернутися до сервісного дилера.
- Заборонено мити батарею чи зарядний пристрій водою. Використання сильнодіючих миючих засобів може призвести до пошкодження пластику.
- Відсутність технічного обслуговування зменшує термін служби виробу й підвищує вірогідність виникнення нещасних випадків.
- Для виконання робіт з обслуговування й ремонту, особливо в разі роботи із захисними пристроями виробу, необхідна спеціальна підготовка. Якщо після технічного обслуговування виріб не пройде частину перевірок, наведених у цьому посібнику користувача, зверніться до свого сервісного дилера. Ми гарантуємо можливість професійного ремонту й обслуговування вашого виробу.
- Використовуйте лише оригінальні запасні частини.

Збирання

Вступ



ПОПЕРЕДЖЕННЯ: Перед збиранням виробу уважно прочитайте розділ про правила техніки безпеки.

Монтаж кожуха тримера

1. Установіть кожух тримера на корпус двигуна. (Мал. 32)
2. Пропустіть 2 болти крізь корпус двигуна та кожух тримера. (Мал. 33)
3. Затягніть болти.

Монтаж головки тримера

1. Обертайте вихідний вал, доки отвір приводного диска не опиниться напроти отвору в корпусі редуктора.
2. Вставте комбінований інструмент в отвір, щоб зафіксувати вал.
3. Поверніть головку тримера за годинниковою стрілкою. (Мал. 34)

Установлення захисного кожуха

1. Установіть захисний кожух в отвори на корпусі двигуна. (Мал. 35)

2. Упевніться, що захисний кожух може вільно рухатися вперед і назад. (Мал. 36)

Монтаж кронштейна на стіні

- Кронштейн треба розташовувати в приміщенні.
- Місце встановлення кронштейна має бути захищеним від сонячного світла, а температура навколишнього повітря має становити від -10 до 70 °C.
- Кронштейн можна встановити на стіні з гіпсокартону, деревини або бетону.



УВАГА: Переконайтеся, що стіна витримує навантаження не менше 30 кг.

- Прикріпіть кронштейн до стіни за допомогою 3 гвинтів. Якщо треба, скористайтеся дюбелями (В). (Мал. 37)



УВАГА: Упевніться, що гвинти відповідають до типу вашої стіни.

- Зверніться до агента служби підтримки Husqvarna по інформацію про доступні аксесуари для зберігання вашого виробу.

Експлуатація

Вступ



ПОПЕРЕДЖЕННЯ: Перед використанням виробу уважно прочитайте розділ про правила техніки безпеки.

Перед початком роботи з виробом

- Огляньте робочу ділянку й переконайтеся, що ви ознайомилися з видом місцевості. Огляньте нахил землі та наявність перешкод на кшталт каменів, гілок та ям.
- Проведіть загальний огляд виробу.
- Проведіть перевірки безпеки, технічне й інше обслуговування, наведені в цьому керівництві.
- Перевірте двигун на наявність бруду чи тріщин. За допомогою щітки приберіть із двигуна траву й листя. За необхідності використовуйте рукавиці.
- Перевірте головку тримера й захисний кожух різальної насадки на наявність пошкоджень або тріщин. Якщо головка тримера або захисний кожух різальної насадки пошкоджені або мають тріщини, замініть їх.
- Переконайтеся, що всі гайки й гвинти затягнуто.
- Перш ніж запустити виріб, переконайтеся, що всі кришки, захисні кожухи, ручки й різальне обладнання встановлено правильно та не пошкоджено.

Акумулятор



ПОПЕРЕДЖЕННЯ: Перед використанням акумулятора обов'язково прочитайте й усвідомте зміст розділу про заходи безпеки. Також треба прочитати посібник користувача для акумулятора й заряджального пристрою та усвідомити його зміст.

Дотримуйтеся вимог щодо температури навколишнього середовища для акумулятора й заряджального пристрою.

	Температура навколишнього середовища
Експлуатація акумулятора в складі виробу	-5 °C — 40 °C
Заряджання акумулятора	0 °C — 35 °C

Заряджання акумулятора

Перед першим використанням акумулятора треба зарядити.

Зверніть увагу: Акумулятор не заряджатиметься, якщо його температура перевищуватиме +35 °C.

1. Під'єднайте кабель живлення заряджального пристрою до електричної розетки із заземленням.



УВАГА: Переконайтеся в належній напрузі й частоті мережі живлення.

2. Уставте акумулятор у заряджальний пристрій. Акумулятор під'єднано до заряджального пристрою, коли блимає зелений світлодіод. (Мал. 38)
3. Акумулятор повністю заряджено, коли зелений світлодіод на заряджальному пристрої світиться постійно. Тривалість заряджання акумулятора не має перевищувати 24 години.
4. Від'єднайте заряджальний пристрій акумулятора від мережі.



УВАГА: У жодному разі не тягніть за шнур живлення.

5. Вийміть акумулятор із зарядного пристрою.

Світлодіодний індикатор стану акумулятора на заряджальному пристрої

Червоний (А) і зелений (В) світлодіоди на заряджальному пристрої відображають стан акумулятора. Дивіться розділ *Світлодіодний індикатор стану акумулятора на виробі на сторінці 478*.

(Мал. 39)

Світлодіодний індикатор	Стан акумулятора
Зелений світлодіод блимає швидко.	Акумулятор заряджається.
Зелений світлодіод блимає повільно.	Акумулятор заряджено на 80 %.
Увімкнений зелений світлодіодний індикатор.	Акумулятор повністю заряджено.

Світлодіодний індикатор	Стан акумулятора
Світлиться червоний світлодіодний індикатор.	Дивіться розділ <i>Світлодіодний індикатор стану акумулятора на виробі на сторінці 478.</i>
Червоний світлодіод блимає швидко.	Дивіться розділ <i>Світлодіодний індикатор стану акумулятора на виробі на сторінці 478.</i>

Світлодіодний індикатор стану акумулятора на виробі

Коли акумулятор встановлено у виріб, світлодіоди на виробі відображають стан акумулятора.

(Мал. 40)

Світлодіодний індикатор	Стан акумулятора
Світляться світлодіодні індикатори 1, 2 і 3.	Заряджено повністю.
Світляться світлодіодні індикатори 1 та 2.	Заряд достатній
Світлиться світлодіод 1.	Малий запас енергії в акумуляторі.
Блимає світлодіод 1.	Акумулятор розряджений. Індикатор стану акумулятора блимає. Зарядіть акумулятор. Дивіться розділ <i>Зарядження акумулятора на сторінці 477.</i>

Під'єднання акумулятора до виробу



ПОПЕРЕДЖЕННЯ:

Використовуйте акумулятор тільки у виробх системи POWER FOR ALL 18 V.

1. Переконайтеся, що акумулятор повністю заряджений.
2. Вставте акумулятор у тримач на виробі. Акумулятор має вставлятися в тримач легко. Якщо це не так, його встановлено неправильно.

(Мал. 41)

3. Коли почується клацання, акумулятор буде зафіксовано.

Запуск виробу

1. Натисніть кнопку ввімкнення/вимкнення та утримуйте її, доки не ввімкнеться зелений світлодіодний індикатор. (Мал. 42)
2. Натисніть фіксатор механічного пускового пристрою та пусковий пристрій. Різальне обладнання почне обертатися.

Регулювання петельного тримача й телескопічного вала

1. Натисніть кнопку регулювання петельного тримача.

(Мал. 43)

2. Відрегулюйте відповідний кут петельного тримача.
3. Відпустіть кнопку регулювання петельного тримача.
4. Відпустіть важіль на валу. (Мал. 44)
5. Відрегулюйте довжину вала.
6. Закрийте важіль і закрутіть гвинт.

Зверніть увагу: Два положення петельного тримача, показані на ілюстрації, призначені лише для застосування під час транспортування та/або зберігання пристрою.

(Мал. 45)

Функція автоматичного вимкнення

Інструмент підтримує функцію автоматичного вимкнення, яка зупиняє інструмент, якщо він не використовується. Пристрій вимкнеться за 3 minutes.

Робота з виробом

Підстригання трави

1. Тримайте головку тримера під кутом безпосередньо над землею. Не вдавлюйте нитку тримера в траву. (Мал. 46)
2. Зменште довжину нитки тримера на 8–10 см / 3,15–4 дюйма.

Проріджування трави

1. Тримайте головку тримера над землею.
2. Нахиліть її.
3. Скошуйте траву навколо предметів кінчиками нитки.



УВАГА: Скошіть траву.

Потрапляння нитки на інші предмети прискорює її зношування.

Зрізання трави

1. Під час зрізання трави нитка тримера має бути паралельна землі. (Мал. 47)
2. Не вдавлийте головку тримера в землю. Це може призвести до пошкодження виробу.
3. Під час зрізання трави переміщуйте виріб зі сторони в сторону. (Мал. 48)

Підмітання трави

Потік повітря від нитки тримера, що обертається, можна використати для прибирання трави.

1. Утримуйте головку та нитку тримера над землею й паралельно землі.
2. Переміщуйте головку тримера зі сторони в сторону й підмітайте таким чином траву.



ПОПЕРЕДЖЕННЯ: Очищуйте кришку головки тримера кожний раз під

час встановлення нової нитки, адже це дозволить уникнути розбалансування й вібрації в рукоятках. Крім того, перевіряйте інші частини головки тримера й за необхідності очищуйте їх.

Зупинення виробу

1. Відпустіть механічний пусковий пристрій і його фіксатор.
2. Натискайте кнопку ввімкнення/вимкнення, доки зелений світлодіодний індикатор не вимкнеться.
3. Натисніть кнопки виймання на акумуляторі та витягніть його з пристрою. (Мал. 49)

Заміна нитки тримера

Див. останню сторінку цього посібника користувача.

ТЕХНІЧНЕ ОБСЛУГОВУВАННЯ

Вступ



ПОПЕРЕДЖЕННЯ: Перед технічним обслуговуванням уважно прочитайте розділ про правила техніки безпеки.

Нижче наведено перелік заходів технічного обслуговування, які слід виконувати. Щоб отримати більше інформації, див. *ТЕХНІЧНЕ ОБСЛУГОВУВАННЯ* на сторінці 479.

Графік технічного обслуговування



ПОПЕРЕДЖЕННЯ: Перед технічним обслуговуванням необхідно виймати акумулятор.

Технічне обслуговування	Щодня	Щотижня	Щомісяця
Очистьте зовнішні деталі виробу сухою ганчіркою. Не використовуйте воду.	X		
Переконайтеся, що кнопка запуску / зупинки працює правильно й не пошкоджена.	X		
Переконайтеся в тому, що механічний пусковий пристрій і його фіксатор працюють правильно з точки зору безпеки.	X		
Переконайтеся, що всі елементи керування працюють і не пошкоджені.	X		
Рукоятки мають бути сухими, незабрудненими й очищеними від масла та мастила.	X		
Переконайтеся, що ріжуча насадка не пошкоджена. Якщо насадка пошкоджена, замініть її.	X		
Переконайтеся, що кожух ріжучої насадки не пошкоджений. Якщо захисний кожух ріжучої насадки пошкоджений, замініть його.	X		
Переконайтеся в тому, що всі гвинти й гайки затягнуті.	X		

Технічне обслуговування	Щодня	Щотижня	Щомісяця
Переконайтеся, що кнопки фіксатора на акумуляторі в справному стані та надійно утримують акумулятор виробу.	X		
Перевірте, щоб зарядний пристрій не був пошкоджений і правильно функціонував.	X		
Перевірте акумулятор на відсутність пошкоджень.	X		
Переконайтеся, що акумулятор заряджений.	X		
Переконайтеся, що зарядний пристрій не пошкоджений.	X		
Перевірте всі кабелі та з'єднання. Переконайтеся, що вони не пошкоджені та не брудні.		X	
Перевірте з'єднання між акумулятором і виробом. Перевірте з'єднання між акумулятором і зарядним пристроєм.			X

Перевірка акумулятора й зарядного пристрою

1. Перевірте акумулятор на наявність пошкоджень на кшталт тріщин.
2. Перевірте зарядний пристрій на наявність пошкоджень на кшталт тріщин.
3. Перевірте з'єднувальний шнур зарядного пристрою на предмет пошкоджень і тріщин.

Чищення виробу, акумулятора й зарядного пристрою

1. Після використання протріть виріб сухою тканиною.
2. Протріть сухою тканиною акумулятор і зарядний пристрій. Тримайте напрямні рейки акумулятора в чистоті.
3. Перед встановленням акумулятора в зарядний пристрій чи виріб переконайтеся, що контакти акумулятора й зарядного пристрою чисті.

Огляд і заміна головки тримера

1. Огляньте головку тримера на відсутність пошкоджень і тріщин.
2. Обертайте вихідний вал, доки отвір приводного диска не опиниться напроти отвору в корпусі редуктора.
3. Вставте комбінований інструмент в отвір, щоб зафіксувати вал.
4. Поверніть головку тримера проти годинникової стрілки.

(Мал. 50)

5. Замініть головку тримера.
6. Установіть головку тримера. Дивіться розділ *Монтаж головки тримера на сторінці 476.*

Усунення несправностей

Інтерфейс користувача

Несправність	Можливі несправності	Можливе рішення
Блимає зелений стартовий світлодіодний індикатор.	Недостатня напруга акумулятора.	Зарядіть акумулятор.

Несправність	Можливі несправності	Можливе рішення
Блимає червоний світлодіодний індикатор помилки.	Перевантаження.	Різальна насадка не може рухатися вільно. Вивільніть різальну насадку.
	Відхилення температури від норми.	Дайте виробу охолонути.
	Одночасно натиснуто механічний пусковий пристрій і стартову кнопку.	Відпустіть механічний пусковий пристрій і натисніть стартову кнопку.
Поперемінно блимають зелений і червоний світлодіоди.	Акумулятор розряджений.	Зарядіть акумулятор.
	Акумулятор пошкоджено.	Зверніться до свого дилера з обслуговування.

Зарядний пристрій

Світлодіодний індикатор на заряджальному пристрої	Причина	Вирішення
Зелений світлодіод світиться постійно, а червоний – блимає.	Акумулятор неправильно встановлено в заряджальному пристрої.	Витягніть акумулятор із заряджального пристрою та встановіть заново.
	Роз'єми акумулятора забруднені.	Очистьте роз'єми акумулятора.
	Температура навколишнього середовища зависока або занижка.	Використовуйте заряджальний пристрій акумулятора за температури від 0 до +35 °С.
	Несправний акумулятор.	Замініть акумулятор.
Зелений і червоний світлодіоди вимкнено.	Заряджальний пристрій неправильно під'єднано до розетки мережі живлення.	Під'єднайте заряджальний пристрій до розетки мережі живлення.
	Несправна розетка мережі живлення.	Під'єднайте заряджальний пристрій до джерела електроживлення, напруга й частота якого відповідають значенням на паспортній табличці.
	Кабель заряджального пристрою акумулятора має дефект.	Зверніться в авторизований центр обслуговування.
	Заряджальний пристрій акумулятора несправний.	
Інші помилки.	У разі виникнення інших помилок переконайтеся, що виріб вимкнений, вийміть акумулятор і зверніться в авторизований центр обслуговування.	

Транспортування, зберігання й утилізація

Транспортування та зберігання

- На літій-іонні акумулятори поширюються правила щодо небезпечного вантажу.
- У разі перевезення пасажирським або вантажним транспортом дотримуйтеся спеціальних вимог щодо упаковки й маркування (це правило також стосується третіх осіб і експедиторів).
- Перш ніж відправити виріб, проконсультуйтеся з особою, що пройшла спеціальну підготовку щодо поводження з небезпечними матеріалами. Дотримуйтеся всіх застосованих національних норм і правил.
- Перед пакуванням акумулятора ізолюйте відкриті контакти. Зафіксуйте акумулятор у упаковці, щоб він не рухався.
- Під час підготовки до зберігання чи транспортування виробу завжди виймайте акумулятор.
- Зберігайте акумулятор і зарядний пристрій у сухому приміщенні, захищеному від вологи та низьких температур.
- Заборонено зберігати акумулятор у місці, де можуть утворюватися статичні заряди. Не зберігайте акумулятор у металевій коробці.
- Зберігайте акумулятор за температури від $-20\text{ }^{\circ}\text{C}$ до $50\text{ }^{\circ}\text{C}$ у захищеному від прямих сонячних променів місці.
- Зберігайте зарядний пристрій за температури від $5\text{ }^{\circ}\text{C}$ до $45\text{ }^{\circ}\text{C}$ у захищеному від прямих сонячних променів місці.
- Зберігайте виріб лише за температури від $-40\text{ }^{\circ}\text{C}$ до $+60\text{ }^{\circ}\text{C}$.
- Використовуйте зарядний пристрій лише за температури навколишнього середовища від $0\text{ }^{\circ}\text{C}$ до $35\text{ }^{\circ}\text{C}$.
- Перед довготривалим зберіганням акумулятор необхідно зарядити на 30–50 %.
- Зберігайте зарядний пристрій у сухому закритому приміщенні.

- Зберігайте акумулятор і зарядний пристрій окремо. Не дозволяйте дітям та іншим особам без належної підготовки торкатися обладнання. Зберігайте обладнання в приміщеннях, які можна закрити на замок.
- Перед тривалим зберіганням промийте виріб і проведіть повне технічне обслуговування.
- Під час транспортування й зберігання використовуйте чохол для транспортування, що допоможе захистити виріб від травм і пошкоджень.
- Під час транспортування надійно закріплюйте виріб.
- Під час зберігання розташуйте виріб горизонтально або повісьте його на гачок, що входить до комплекту. Дивіться розділ *Монтаж кронштейна на стіні на сторінці 476*.

(Мал. 51)

Утилізація акумулятора, зарядного пристрою й виробу

Символ, наведений нижче, означає, що цей виріб не можна утилізувати разом із побутовими відходами. Утилізацію необхідно проводити на підприємстві з переробки відходів електричного й електронного обладнання. Це допоможе запобігти шкоді навколишньому середовищу й людям.

Щоб отримати детальнішу інформацію, проконсультуйтеся з органами місцевої влади, місцевою службою переробки відходів чи вашим дилером.

(Мал. 18)

Зверніть увагу: Символ нанесений на виріб чи упаковку виробу.

Технічні характеристики

Технічні характеристики

	Aspire T28-P4A
Електродвигун	
Тип двигуна	PMDC
Частота обертання вихідного вала, об/хв	6800
Ширина зрізання, мм	280
Маса	

	Aspire T28-P4A
Маса без акумулятора, кг	2,6
Маса з акумулятором (P4A 18-B45 / P4A 18-B70), кг	3,0 / 3,3
Випромінювання шуму ⁷⁰	
Рівень звукової потужності, дБ (A)	85
Гарантований рівень звукової потужності, L _{WA} дБ(A)	88
Рівні шуму ⁷¹	
Еквівалентний рівень звукового тиску у вусі оператора, вимірний відповідно до стандарту EN ISO 50636-2-91, дБ (A)	73
Рівні вібрації ⁷²	
Рівень вібрації в руках, вимірний відповідно до стандарту EN50636-2-91, м/с ²	2,26 / 1,61
З установленою (оригінальною) головкою тримера, передня / задня частина.	

Акумулятор	P4A 18-B45	P4A 18-B72
Тип	Літій-іонний	Літій-іонний
Ємність батареї, ампер-години	Див. паспортну табличку акумулятора	Див. паспортну табличку акумулятора
Номінальна напруга, В	18	18
Маса, кг	0,4	0,7

Зарядний пристрій	P4A 18-C70
Напруга електромережі, В	220–240
Частота, Гц	50–60
Потужність, Вт	70
Вихідна напруга, В пост. струму / ампер, А	14,4–18 / 3

⁷⁰ Випромінювання шуму в середовище, виміряне як звукова потужність (L_{WA}), відповідає директиві ЄС 2000/14/ЄС. Різниця між гарантованим і вимірюваним рівнем звукової потужності полягає в тому, що гарантована звукова потужність включає також дисперсію результатів вимірювання й відмінності між різними виробами тієї самої моделі відповідно до Директиви 2000/14/ЄС.

⁷¹ Представлені дані для еквівалентного рівня звукового тиску для виробу мають типову статистичну дисперсію (стандартне відхилення) в 3 дБ(A).

⁷² Заявлені дані щодо рівня вібрації мають стандартну статистичну розбіжність (стандартне відхилення) у 1,5 м/с².

Акcesуари

Схвалені акcesуари

Схвалені акcesуари	Тип	Захисний кожух різальної насадки, арт. №
Головка тримера	A15B M5 (кабель діам. 1,6 мм)	536 47 32-01

Декларація відповідності

Декларація відповідності ЄС

Ми, компанія **Husqvarna AB**, SE-561 82 Huskvarna, Швеція, тел.: +46-36-146500, заявляємо під свою виключну відповідальність, що представлений виріб:

Опис	Акумуляторний тример для трави
Бренд	Husqvarna
Тип / модель	Aspire T28-P4A
Ідентифікація	Серійні номери за 2023 рік і пізніше

повністю відповідає таким директивам і нормам ЄС:

Директива / норма	Опис
2006/42/EC	«Про механічне обладнання»
2014/30/EU	«Про електромагнітну сумісність»
2000/14/EC	«Про виділення шуму в навколишнє середовище»
2011/65/EU	«Про обмеження використання деяких небезпечних речовин в електричному й електронному обладнанні»

і що до нього застосовуються вказані далі узгоджені стандарти та (або) технічні специфікації: EN 60335-1:2012/A15:2021, EN 50636-2-91:2014, EN IEC 63000:2018, EN IEC 55014-1:2021; EN IEC 55014-2:2021.

Уповноважений орган: компанія 0158 DEKRA Testing and Certification GmbH, Handwerkstraße 15, 70565 Stuttgart, Germany підтвердила відповідність вимогам Директиви ради ЄС 2000/14/EC, процедура оцінки відповідності: Додаток VI.

Відомості стосовно випромінювання шуму дивіться в розділі *Технічні характеристики на сторінці 482*.

Husqvarna, 2023-12-14



Клас Лосдал (Claes Losdal), директор відділу НДДКР, Husqvarna AB

Відповідальний за технічну документацію



Ліцензії

Copyright © 2012–2020 STMicroelectronics

Гарантія не поширюється на дефекти, що з'явилися внаслідок нормального зношування, недбалого поводження, використання не за призначенням, несанкціонованого ремонту або в разі під'єднання всмоктувального апарата до джерела невідповідної напруги.

Усі права застережено.

Поширення та використання у вихідній і двійковій формах, зі змінами або без них, дозволено в разі дотримання таких умов:

- Поширення вихідного коду має супроводжуватися наведеним вище повідомленням про авторські права, переліком цих умов і подальшим застереженням.
- Комплект постачання для поширення у двійковій формі має супроводжуватися в документації та/або інших матеріалах, що надаються разом із таким комплектом, вищезазначеним повідомленням про авторські права, переліком цих умов і подальшою відмовою від відповідальності.
- Ані назва STMicroelectronics, ані назви учасників не можуть використовуватися для підтримки чи просування продуктів, створених на основі цього програмного забезпечення, без спеціального попереднього письмового дозволу.

ЦЕ ПРОГРАМНЕ ЗАБЕЗПЕЧЕННЯ НАДАЮТЬ ВЛАСНИКИ АВТОРСЬКИХ ПРАВ ТА УЧАСНИКАМИ У ВИГЛЯДІ «ЯК Є», ІЗ ВІДМОВОЮ ВІД БУДЬ-ЯКИХ БЕЗПОСЕРЕДНИХ АБО ОПОСЕРЕДКОВАНИХ ГАРАНТІЙ, ВКЛЮЧНО ОПОСЕРЕДКОВАНИМИ ГАРАНТІЯМИ КОМЕРЦІЙНОЇ ПРИДАТНОСТІ ТА ПРИДАТНОСТІ ДЛЯ БУДЬ-ЯКОЇ КОНКРЕТНОЇ МЕТИ, АЛЕ НЕ ОБМЕЖУЮЧИСЬ НИМИ. ВЛАСНИК АВТОРСЬКИХ ПРАВ АБО УЧАСНИКИ В ЖОДНОМУ РАЗІ НЕ НЕСУТЬ ВІДПОВІДАЛЬНОСТІ ЗА БУДЬ-ЯКІ БЕЗПОСЕРЕДНІ, ОПОСЕРЕДКОВАНІ, ВИПАДКОВІ, ОСОБЛИВІ, ШТРАФНІ АБО ПОБІЧНІ ЗБИТКИ (ВКЛЮЧНО З ПРИДБАННЯМ ТОВАРІВ АБО ПОСЛУГ НА ЗАМІНУ, ВТРАТОЮ МОЖЛИВОСТІ ВИКОРИСТАННЯ, ДАНИХ АБО ПРИБУТКУ АБО ПЕРЕРВОЮ У ВЕДЕННІ ДІЯЛЬНОСТІ, АЛЕ НЕ ОБМЕЖУЮЧИСЬ НИМИ) НЕЗАЛЕЖНО ВІД ПРИЧИН І ЗГІДНО З БУДЬ-ЯКИМИ ПРИЧИНАМИ Й ВИДАМИ ВІДПОВІДАЛЬНОСТІ, ЧИ-ТО ДОГОВОРОМ, ЧИ-ТО БЕЗПОСЕРЕДНЬОЮ ВІДПОВІДАЛЬНІСТЮ АБО ДЕЛІКТОМ (ВКЛЮЧНО З НЕДБАЛІСТЮ АБО ІНШИМИ ПІДСТАВАМИ), ЯКІ ВИНИКАЮТЬ ЧЕРЕЗ БУДЬ-ЯКИЙ СПОСІБ ВИКОРИСТАННЯ ЦЬОГО ПРОГРАМНОГО ЗАБЕЗПЕЧЕННЯ, НАВІТЬ ЯКЩО БУЛО ПОВІДОМЛЕНО ПРО МОЖЛИВІСТЬ ТАКОГО ЗБИТКУ.

Ліцензія Apache 2.0

Авторське право © 2009-2019 Arm Limited. Усі права застережено.

Версія 2.0, січень 2004 <http://www.apache.org/licenses/>

УМОВИ Й ПОЛОЖЕННЯ ЩОДО ВИКОРИСТАННЯ, ВІДТВОРЕННЯ ТА ПОШИРЕННЯ

1. Визначення.

«Ліцензія» означатиме положення та умови використання, відтворення та поширення, як визначено в Розділах 1–9 цього документа.

«Ліцензіар» означатиме власника авторських прав або організацію, уповноважену власником авторських прав, яка надає цю Ліцензію.

«Юридична особа» означатиме сукупність виконавчої організації та всіх інших організацій, які керують цією організацією, керуються нею або перебувають під спільним керуванням із нею. Для цілей цього визначення **«керування»** означає (i) повноваження, безпосередні або опосередковані, розпоряджатися або керувати такою організацією, за контрактом або будь-яким іншим чином, або (ii) володіння п'ятдесяти відсотками (50 %) або більшою кількістю акцій, що перебувають в обігу, або (iii) бенефіціарне володіння такою організацією.

«Ви» (або **«Ваш»**) означатиме фізичну або юридичну особу, яка користується дозволами, наданими за цією Ліцензією.

«Вихідна» форма означатиме бажану форму для внесення змін, включно з вихідним кодом програмного забезпечення, вихідною документацією та файлами конфігурації, але не обмежуючись ними.

«Об'єктна» форма означатиме будь-яку форму, отриману в результаті механічного перетворення або трансляції Вихідної форми, включно зі скомпільованим об'єктним кодом, згенерованою документацією та перетворенням для носіїв інших типів.

«Робота» означатиме авторську роботу у вихідній чи об'єктній формі, надану згідно з Ліцензією, як зазначено в повідомленні про авторські права, яке включено чи додано до такої роботи (приклад наведено в Додатку нижче).

«Похідні роботи» означатиме будь-яку роботу у вихідній чи об'єктній формі, засновану на Роботі (або похідну від неї), для якої редакційні виправлення, зауваження, уточнення або інші модифікації є загалом оригінальною авторською роботою. Для цілей цієї Ліцензії Похідні роботи не включатимуть у себе роботи, які залишаються відокремленими або просто пов'язані (або прив'язані за назвою) до інтерфейсів Роботи та її Похідних робіт.

«Внесок» означатиме будь-яку авторську роботу, включно з оригінальною версією Роботи й будь-якими модифікаціями цієї Роботи чи доповненнями до неї або до Похідних робіт від неї, яку навмисно надано Ліцензіарові власником авторських прав або фізичною чи Юридичною особою, уповноваженою діяти від імені власника авторських прав, для включення до складу Роботи. Для цілей цього визначення, **«надана»**

означає будь-яку форму електронного, усного чи письмового повідомлення, надісланого Ліцензіарові або його представникам, включно з повідомленнями за списками електронного розсилання, але не обмежуючись ними, у системах контролю вихідного коду й системах відстежування проблем у ПЗ, керування якими здійснюється Ліцензіаром або від його імені, метою яких є обговорення та вдосконалення Роботи, але виключає повідомлення, які явним або іншим чином позначено в письмовій формі власником авторських прав як **«Не є внеском»**. **«Учасник»** означатиме Ліцензіара й будь-яку фізичну чи Юридичну особу, від імені якої Внесок було отримано Ліцензіаром і згодом включено до складу Роботи.

2. Надання Ліцензії на авторське право.

Згідно з умовами та положеннями цієї Ліцензії кожен Учасник цим надає Вам безстрокову, усесвітню, невиключну, безкоштовну, безоплатну, безвідкличну ліцензію на авторське право для здійснення відтворення, підготовки Похідних робіт, публічного показу, публічного виконання, субліцензування та поширення Роботи й таких Похідних робіт у вихідній або об'єктній формі.

3. Надання Патентної ліцензії.

Згідно з умовами й положеннями цієї Ліцензії, кожен Учасник цим надає Вам безстрокову, усесвітню, невиключну, безкоштовну, безоплатну, безвідкличну (за винятком випадків, зазначених у цьому розділі) патентну ліцензію на створення, використання, пропозицію продажу, продаж, імпорт та передавання Роботи іншим чином, якщо така ліцензія поширюється лише на ті патентні претензії, які можуть бути ліцензовані таким Учасником, права на які обов'язково порушуються лише його Внеском(-ами) або поєднанням його Внеску(-ів) з Роботою, до якої було надано такий Внесок(-и). Якщо Ви порушуєте патентний позов проти будь-якої організації (включно з перехресним позовом або зустрічним позовом у складі судового позову), стверджуючи, що Робота або Внесок, включений до складу Роботи, є прямим або непрямым порушенням патентних прав, тоді чинність будь-яких патентних ліцензій, наданих Вам згідно з цією Ліцензією на цю Роботу, буде припинено з дати подання такого позову.

4. Поширення.

Ви можете відтворювати й поширювати копії Роботи або Похідних робіт на будь-якому носії, зі змінами або без них, у вихідній чи об'єктній формі, за умови, що Ви відповідаєте таким умовам:

- Ви повинні надати будь-яким іншим одержувачам Роботи або Похідних робіт копію цієї Ліцензії; і
- Ви повинні зробити так, щоб будь-які змінені файли містили помітні повідомлення про те, що Ви внесли зміни до цих файлів; і Ви повинні залишити у Вихідній формі будь-яких

Похідних робіт, які поширюєте, усі повідомлення про авторські права, патенти, товарні знаки й покликання на авторство з Вихідної форми Роботи, за винятком тих повідомлень, які не стосуються жодної частини Похідних робіт; і

- Якщо Робота включає в себе текстовий файл **«ПОВІДОМЛЕННЯ»** як частину комплекту постачання, тоді будь-які Похідні роботи, які ви поширюєте, повинні містити придатну для читання копію повідомлень про авторство, які містяться в такому файлі ПОВІДОМЛЕННЯ, за винятком тих повідомлень, які не стосуються жодної частини Похідної роботи, принаймні в одному з таких місць: у текстовому файлі ПОВІДОМЛЕННЯ, який поширюють як частину Похідних робіт; у Вихідній формі або документації, якщо вони надаються разом із Похідними роботами; або в межах відображення, згенерованого Похідними роботами, незалежно від наявності та звичайних місць відображення аналогічних повідомлень третіх сторін. Вміст файлу ПОВІДОМЛЕННЯ призначено лише для інформаційних цілей, а не для зміни Ліцензії. У Похідних роботах, які Ви поширюєте, Ви можете додавати свої власні повідомлення про авторство поряд із текстом ПОВІДОМЛЕННЯ щодо Роботи або як додаток до нього, за умови, що такі додаткові повідомлення про авторство не можуть тлумачитися як внесення змін до Ліцензії. Ви можете додати до своїх модифікацій власну заяву про авторські права й передбачити додаткові або інші умови ліцензії на використання, відтворення чи поширення своїх модифікацій або для будь-яких таких Похідних робіт загалом, за умови, що використання, відтворення та розповсюдження Роботи Вами в іншому разі відповідає умовам, зазначеним у цій Ліцензії.

5. Надання Внесків.

Якщо Ви явним чином не зазначите інше, будь-який Внесок, навмисно наданий Вами Ліцензіарові для включення до складу Роботи, має відповідати положенням та умовам цієї Ліцензії без будь-яких додаткових положень або умов. Незважаючи на вищесказане, ніщо в цьому документі не замінює та не змінює умов будь-якої окремої ліцензійної угоди, яку ви могли укласти з Ліцензіаром щодо таких Внесків.

6. Товарні знаки.

Ця Ліцензія не надає дозволу на використання торгових назв, товарних знаків, знаків обслуговування або назв продуктів Ліцензіара, за винятком випадків, коли це потрібно для доцільного та звичного використання в опісі походження Роботи й відтворення вмісту файлу ПОВІДОМЛЕННЯ.

7. Відмова від Гарантії.

Якщо цього не вимагає застосовне законодавство або якщо це не погоджено в письмовій формі, Ліцензіар надає Роботу (і кожен Учасник надає свої Внески) у вигляді «ЯК Є», БЕЗ БУДЬ-ЯКИХ ГАРАНТІЙ АБО УМОВ, виражених явним чином або таких, що маються на увазі, включно, без обмежень, із будь-якими гарантіями чи умовами ПРАВА ВОЛОДІННЯ, НЕПОРУШЕННЯ ПРАВ, КОМЕРЦІЙНОЇ ПРИДАТНОСТІ або ПРИДАТНОСТІ ДЛЯ КОНКРЕТНОЇ МЕТИ. Ви несете виключну відповідальність за визначення доцільності застосування або поширення Роботи та приймаєте на себе будь-які ризики, пов'язані з користуванням дозволами, наданими згідно з цією Ліцензією. 8. Обмеження відповідальності. За будь-яких обставин і згідно з будь-якою законодавчою базою, чи-то делікт (включно з недбалістю), чи-то договір або інше, якщо цього не вимагає застосовне законодавство (наприклад, навмисні дії та груба недбалість) або це не погоджено в письмовій формі, жоден Учасник не нестиме відповідальності перед Вами за збитки, зокрема будь-які безпосередні, опосередковані, особливі, випадкові або наслідкові збитки будь-якого характеру, що виникають унаслідок цієї Ліцензії або через використання чи неможливість

використання Роботи (включно зі збитками за втрату репутації, припинення діяльності, збій чи несправність комп'ютера або будь-які інші комерційні збитки чи втрати, але не обмежуючись ними), навіть якщо такого Учасника було повідомлено про можливість таких збитків.

9. Прийняття на себе гарантії або додаткової відповідальності.

У разі поширення Роботи або її Похідних робіт Ви можете вибрати пропозицію та визначити плату за прийняття на себе підтримки, гарантії, відшкодування чи інших зобов'язань та/або прав, які відповідають цій Ліцензії. Однак, приймаючи на себе такі зобов'язання, Ви можете діяти лише від власного імені й виключно під свою відповідальність, а не від імені будь-якого іншого Учасника, і лише в разі, якщо Ви погоджуєтесь відшкодувати, захищати та звільняти кожного Учасника від будь-якої понесеної відповідальності або претензій, висунутих проти такого Учасника через те, що ви приймаєте на себе будь-яку таку гарантію чи додаткову відповідальність. КІНЕЦЬ УМОВ І ПОЛОЖЕНЬ

目次

はじめに.....	488	搬送、保管、廃棄.....	501
安全性.....	490	主要諸元.....	502
組立.....	497	アクセサリ.....	503
Operation (操作).....	497	適合宣言.....	504
メンテナンス.....	499	ライセンス.....	505
トラブルシューティング.....	500	付録.....	507

はじめに

製品の説明

Husqvarna Aspire T28-P4A は、電気モーターで動作するバッテリー式刈払機です。

弊社では、皆様の安全と作業の効率性を向上させるため、常に製品の改善に力を入れています。詳しくは、サービス代理店までお問い合わせください。

用途

本製品は、トリマーヘッドによる草刈りのために設計されました。本製品は、草刈りと草の吹き飛ばし以外の作業には使用しないでください。

製品の概要

(図 1)

1. トリマーヘッド
2. カッティングアタッチメントガード
3. プラントガード
4. シャフト調整 (テレスコープ)

注記: 本製品の使用においては、国内の規制が課せられる場合があります。

クイックガイド

製品の使用方法に関するアドバイスについては、QR コードをスキャンしてください。

(図 20)

5. シャフト
6. ループハンドル
7. メンテナンスカパー
8. ループハンドル調整ボタン
9. ユーザーインターフェイス

- 10. 警告インジケータ
- 11. 充電状態インジケータ
- 12. ON/OFF ボタン
- 13. パワートリガー
- 14. パワートリガーロック
- 15. バッテリー (P4A 18-B45)
- 16. バッテリーリリースボタン
- 17. バッテリー (P4A 18-B72)
- 18. バッテリー充電器 (P4A 18-C70)
- 19. コネクター
- 20. 電源オン / 警告インジケータ
- 21. コンビツール
- 22. 壁掛けフック
- 23. 壁掛けフック用のネジと壁用プラグ
- 24. 取扱説明書

製品に表記されるシンボルマーク

- (図 2) 警告：本製品の使用は危険を伴います。操作者や付近にいる人が重傷を負う、または死亡するおそれがあります。十分に注意し、本製品を正しく使用してください。
- (図 3) この取扱説明書をよくお読みになり、内容をしっかりと把握したうえで、使用してください。
- (図 4) 防護メガネを使用してください。
- (図 5) 雨が当たらないようにしてください。
- (図 6) 環境に対する騒音レベルは EC 指令と英国の指令および規制、ニューサウスウェールズの法規 Protection of the Environment Operations (Noise Control) Regulation 2017 に準拠しています。本製品の保証音響レベルは次の場所とラベルに記載されています： 主要諸元 502 ページ。
- (図 7) メンテナンスを行う前に、バッテリーを取り外してください。
- (図 8) 本製品や本製品のパッケージは、一般廃棄物ではありません。電気・電子機器のリサイクル業者にリサイクルを依頼してください。
- (図 9) 飛来物に注意してください。
- (図 10) 金属ブレードは使用しないでください。
- (図 11) 本製品は EU 指令適合製品です。
- (図 12) 本製品は該当する英国規制に準拠しています。

(図 13) 直流。

(図 17) 本機と周囲の人々との距離は、15 m (50 フィート) 以上である必要があります。

yyyywwxxxxx
製造番号はシリアルプレートまたはレーザー印刷に記載されています。yyyy は製造年、ww は製造された週です。

製品に表記されるシンボルマーク

- (図 2) 警告：本製品の使用は危険を伴います。操作者や付近にいる人が重傷を負う、または死亡するおそれがあります。十分に注意し、本製品を正しく使用してください。
- (図 3) この取扱説明書をよくお読みになり、内容をしっかりと把握したうえで、使用してください。
- (図 4) 防護メガネを使用してください。
- (図 5) 雨が当たらないようにしてください。
- (図 6) 環境に対する騒音排出レベルが EU (ニューサウスウェールズ州の法律も含む) および英国の指令および規制に準拠しています。騒音排出データは、本機のステッカーと主要諸元の章に記載されています。
- (図 7) メンテナンスを行う前に、バッテリーを取り外してください。
- (図 8) 本製品や本製品のパッケージは、一般廃棄物ではありません。電気・電子機器のリサイクル業者にリサイクルを依頼してください。
- (図 9) 飛来物に注意してください。
- (図 10) 金属ブレードは使用しないでください。
- (図 11) 本製品は EU 指令適合製品です。
- (図 13) 直流。
- (図 17) 本機と周囲の人々との距離は、15 m (50 フィート) 以上である必要があります。

yyyywwxxxx

製造番号はシリアルプレートまたはレーザー印刷に記載されています。yyyy は製造年、ww は製造された週です。

バッテリーやバッテリー充電器のシンボルマーク

(図 18)

電気・電子機器のリサイクル業者にリサイクルを依頼してください。(ヨーロッパのみ適用)

(図 19)

バッテリーは POWER FOR ALL システムパートナーの製品でのみ使用してください。

(図 14)

安全装置付き変圧器。

(図 15)

バッテリー充電器は屋内でのみ使用、保管してください。

(図 16) 二重絶縁。

製品の損傷

以下の場合、当社は製品の損傷について責任を負いません。

- 本製品が誤って修理された場合。
- メーカーによるものではない部品、またはメーカーの認可していない部品を使用して本製品を修理した場合。
- メーカーによるものではないアクセサリ、またはメーカーの認可していないアクセサリを本製品に使用した場合。
- 認定サービスセンターまたは認定販売店で本製品が修理されていない場合。

メーカー

Husqvarna AB

SE-561 82, Huskvarna, Sweden

安全性

安全性の定義

警告、注意、注記は、取扱説明書の特に重要な部分を示しています。



警告： 取扱説明書の指示に従わない場合、使用者が負傷したり、死亡したりするが、あるいは付近の人に損傷を与える危険があることを意味します。



注意： 取扱説明書の指示に従わない場合、製品や他の物品、または隣接するエリアに損傷を与える危険があることを意味します。

注記： 特定の状況で必要とされる詳細情報を提供するために使用されます。

パワーツールの一般的な安全上の警告



警告： 警告および指示はすべて読んでください。警告や指示に従わない場合、感電、火災、あるいは深刻な傷害を招くことがあります。

注記： すべての警告や説明は、以後の参考のために保管してください。警告の「パワーツール」とは、電源で

作動する (コード付) パワーツールまたはバッテリー駆動 (コードレス) のパワーツールを指します。

始動前の点検

- 本製品が誤って始動しないように、製品を使用しない時はバッテリーを常に取り外してください。本製品のメンテナンスを行う前に、必ずバッテリーを外してください。
- 本製品の使用前と、何らかの衝撃を受けた後は、磨耗や破損の兆候がないか確認の上、必要があれば修理してください。
- 作業エリアを点検します。石や割れたガラス、くぎ、鋼線、ひもなど、固定されており飛ばされたりカッターやカッターガードに絡まったりしそうなものをすべて取り除きます。
- 汚れやヒビがないかモーターを点検します。ブラシを使用してモーターから草や葉を落とします。必要に応じて、手袋を着用してください。
- トリマーヘッドが完全にトリマーに装着されているか確認します。
- 本製品が正常に動作することを確認してください。すべてのナットとネジが確実に締められているかどうかを確認します。
- トリマーヘッドとトリマーガードに損傷やひびのないことを確認します。トリマーヘッドやトリマーガードが衝撃を受けたり、ひびが入っている場合は交換します。使用するカッティングアタッチメントに推奨のガードを必ず使用してください。「主要諸元」の章を参照してください。

- 本製品の使用者は、作業中に人や動物が 15 メートル以内に近づかないように注意する必要があります。同じエリアに数人の作業者がいる場合、安全距離を 15 メートル以上とる必要があります。
- 使用前に本製品全体の点検を実施してください。メンテナンスのスケジュールに目を通してください。
- 使用には、国や地方により、規制が課せられる場合があります。所定の規制に従ってください。

作業エリアの安全

- 作業場所を清潔に、照明を明るく保ちます。乱雑な、あるいは暗い場所では、事故が起こりやすくなります。
- 可燃性の液体や気体、塵がある所など、爆発性雰囲気の中でパワーツールを起動させないでください。パワーツールは、塵やガスを発火させる火花を発生させます。
- パワーツールの操作中は子供やそばにいる人たちと十分な距離を置いてください。注意が散漫になって、操作ミスを引き起こす可能性があります。

電気保安

- パワーツールのプラグはコンセントに適合しなければなりません。決してプラグを改造しないでください。アダプタプラグをアースの付いた（接地された）パワーツールとともに使用しないでください。改造されていないプラグおよび型の同じコンセントを使用すれば、感電のリスクが低くなります。
- パイプやラジエータ、レンジ、冷蔵庫など、アースの付いた表面または接地された表面に触れないようにしてください。体が接地していたりアースされていたりすると、感電のリスクが高くなります。
- パワーツールを雨露や湿潤な環境に曝さないでください。パワーツール内に水が浸入すると、感電のリスクが高まります。
- コードを本来の目的以外に使用しないでください。コードを持ってパワーツールを移動したり、引っ張ったり、電源を抜いたりすることのないようにしてください。熱やオイル、とがった先端や可動部品にコードを近づけないでください。コードが破損したり絡まると、感電のリスクが高くなります。
- 屋外でパワーツールを操作する場合は、屋外での使用に適した延長コードを使用してください。屋外での使用に適したコードを使用することで、感電の危険性は少なくなります。
- 湿気のある場所でパワーツールを操作せざるを得ない場合は、電源を保護するために漏電遮断器（RCD）使用してください。RCD は感電の危険を低減します。

個人の安全

- パワーツールを操作するときは、十分に気をつけて慎重に行動し、常識に従ってください。疲れているときや、医薬品およびアルコールの影響が残っている状態でパワーツールを使用しないでください。パワーツールの操作中は、一瞬の不注意が重大な傷害につながる場合があります。
- 身体保護具を使用してください。常に眼の保護具を着用してください。防塵マスクや滑り止め用の安全

靴、ヘルメット、イヤマフを使用すると、負傷の危険性が少なくなります。

- 予期せぬ始動を防止します。電源およびバッテリーバックを接続したり、ツールを拾ったり運ぶ前に、必ずスイッチがオフの位置にあることを確認してください。スイッチに指を置いてパワーツールを運んだり、スイッチが入った状態でパワーツールに圧力をかけると、事故につながります。
- パワーツールをオンにする前に、調整キーとレンチを外してください。パワーツールの回転部品にレンチやキーが取り付けられたままになっていると、怪我の原因となります。
- 無理な体勢で作業しないでください。常に、安定した足場とバランスを保つようにしてください。こうすることで、予期しない事態でもパワーツールを安定した状態に保つことができます。
- 適切な服装を心がけてください。ゆったりした衣服や装身具を身につけないでください。可動部品に髪の毛や衣服を近づけないでください。ゆったりした衣服や装身具、長髪は可動部品に絡まるおそれがあります。
- 集塵装置の接続用装備が提供されている場合、それらが接続されて正しく使用されているか確認してください。集塵装置を使用すると、塵に関連する危険を回避できます。
- ツールを頻繁に使用することによる慣れで、安全への関心を失ってツールの安全原則を無視することは非常に危険です。不注意により、一瞬で深刻な事故が発生するおそれがあります。
- パワーツールの使用で発生する実際の振動は、公称合成振動値と異なり、ツールの使用方法に依存します。作業者は、自分自身を保護する目的で、実際の使用状況（ツールの電源をオフにする回数および、トリガー動作やアイドル運転の回数など、運転サイクルのあらゆる部分を考慮）における振動暴露予測を基本にした安全対策を確認する必要があります。

パワーツールの使用と手入れ

- パワーツールを無理に使用しないでください。用途に合った正しいパワーツールを使用してください。正しいパワーツールを使用した方が、意図された速度でより良く安全に作業を行えます。
- スイッチが機能しない場合はパワーツールを使用しないでください。スイッチで制御できないパワーツールは危険なため、修理する必要があります。
- パワーツールの調整、アクセサリの変更、またはパワーツールの保管前は、電源プラグを外し、パワーツールからバッテリーバックを取り外してください（着脱可能な場合）。予防的な安全対策を行うことで、誤ってパワーツールを始動させる危険性が少なくなります。
- 使用していないパワーツールは子供の手の届かない所に保管して、パワーツールやこの取扱説明書に詳しくない人間がパワーツールを操作しないように注意してください。不慣れたユーザーがパワーツールを扱うと危険です。
- パワーツールとアクセサリをメンテナンスします。可動部品の誤調整や巻き付き、部品の破損やパワーツールの動作に影響する他の状態がないかどうか確認します。破損している場合は、使用する前に

パワーツールを修理してください。ほとんどの事故は、正しいメンテナンスを受けていないパワーツールが原因です。

- 切削工具は研いだ状態で清潔に保ちます。正しくメンテナンスされて研いである切削工具は、バインドすることも少なく、制御が簡単です。
- パワーツール、アクセサリ、工具ビットなどは、これらの取扱説明書に従って使用し、作業条件および行う作業を考慮してください。意図されていない作業でパワーツールを使用すると、危険な状況を招くことがあります。
- ハンドル部および保持面は乾燥させて、オイルや油が付着しないようにきれいな状態を保ってください。ハンドルと保持面が滑りやすいと、予期しない状態でツールの安全な取り扱いや制御ができません。

バッテリーツールの使用と手入れ

- メーカー指定の充電器のみを使って充電してください。1種類のバッテリーパックのみに適合する充電器は、それ以外のバッテリーパックの充電で使用すると、火災を起こす恐れがあります。
- 製品には、指定された専用バッテリーパックのみ使用してください。それ以外のバッテリーパックを使用すると、怪我や火災を招く危険があります。
- バッテリーパックを使用しないときは、ペーパーリップ、コイン、キー、爪きり、ネジなどの金物、あるいは端子間を短絡する恐れがある他の小さな金物から遠ざけるようにしてください。バッテリー端子の短絡は、火傷や火災を引き起こす恐れがあります。
- 劣悪な環境では、液体がバッテリーから漏れ出すことがあります。そのような場合、液体には触れないようご注意ください。もし万が一誤って触ってしまった場合、水で洗い流してください。液体が目に入ってしまった場合、医師の診察を受けてください。バッテリーから漏れ出した液体は、炎症や火傷を引き起こすことがあります。
- 故障した、または改造されたバッテリーパックやツールは使用しないでください。故障した、または改造されたバッテリーは、予測不可能な挙動を起こし、発火や破裂、障害の原因となる可能性があります。
- バッテリーパックやツールを火や高温にさらさないでください。火または 130°C (265°F) 以上の温度環境にさらすと爆発する恐れがあります。
- 充電の手順にすべて従い、指示された温度範囲外でバッテリーパックまたはツールを充電しないでください。充電を不適切に行ったり、指定された範囲から外れた温度環境で行ったりした場合、バッテリーの損傷や火災発生の危険の増加につながることがあります。

サービス

- パワーツールのサービスは、資格のある修理担当者が同じ交換部品を使って行うようにしてください。こうすることで、パワーツールの安全性を維持できます。

- 損傷したバッテリーパックを決して修理しようとしないでください。バッテリーパックの修理は、製造元または認定サービス代理店しか行えません。

いつも常識のある取り扱いを

起こり得る状況をすべて予測し、対応することは不可能です。常に注意を払い、常識に合った使用方法で操作してください。使用者の能力範囲外であると思われる場合は、操作を行わないでください。これらの注意事項を読んだ後でも、不明点などがある場合は、使用を続けずに専門コンサルタントにご相談ください。



警告： 本機を子供に使用させたり、本機の付近に子供を近づけたりしないでください。本機は簡単に始動できるため、十分に監視していなければ子供が始動することも可能です。重大な身体的傷害を引き起こす危険があります。そのため、本機が十分な監視下にならない場合はバッテリーを外してください。

一般的な安全注意事項



警告： 本製品を使用する前に、以下の警告指示をお読みください。

- 本製品が誤って始動しないように、本製品を使用しない時はバッテリーを取り外してください。
- 本製品は、慎重かつ適切に使用しないと、危険な道具となります。本製品により、作業者や付近にいる人が重傷を負う、または死亡するおそれがあります。
- 本製品が初期仕様から変更された場合は、本製品を使用しないでください。メーカーからの承認を受けずに本製品の部品を交換しないでください。メーカーが認可した部品のみを使用してください。誤ってメンテナンスすると、負傷または死亡に至る可能性があります。
- 使用前に本製品を点検してください。参照：始動前の点検 490 ページおよび 本製品を操作する前に 497 ページ。損傷した製品や正しく動作しない製品は使用しないでください。この取扱説明書の内容に従って、安全点検、メンテナンス、サービスを行ってください。
- 子供が本製品で遊ばないように、監視する必要があります。子供、または本製品やバッテリーの扱いに不慣れな人が本製品を使用しないようにしてください。地域の法律によっては、作業者の年齢制限が設けられている場合があります。
- 本製品は鍵のかかる場所に保管して、子供や許可を得ていない人が近づけないようにしてください。
- 本製品は子供の手の届かない場所に保管してください。
- いかなる理由であれ、製造者の承認を得ることなく本製品の設計に変更を加えないでください。常に純正の部品をお使いください。不認可の設計変更や付属品は、使用者や付近にいる人の重傷や致命傷の原因となることがあります。

注記： 使用には、国や地方の法令により、規制が課せられる場合があります。所定の規制に従ってください。

操作のための安全注意事項



警告： 本製品を使用する前に、以下の警告指示をお読みください。

- 悪天候の場合、特に雷発生の危険がある場合は、本製品を使用しないでください。これは、落雷の危険を避けるためです。
- 本製品を使用するエリアの野生動物について十分に調査してください。本製品の動作中に野生動物が負傷する可能性があります。
- 本製品を使用するエリアを十分に調査して、すべての石、枝、ケーブル、骨などの異物を取り除いてください。飛んでくる物によって負傷する可能性があります。
- 本製品を使用する前に、必ずカッターとカッターアセンブリに損傷がないことを目視点検してください。パーツに損傷があると、負傷の可能性が高くなります。
- ガードを取り付けてください。適切に動作するガードを正しく取り付けする必要があります。ガードに緩みや損傷がある場合や適切に動作しない場合は、負傷につながるおそれがあります。
- すべての冷却用吸気口から異物を取り除いてください。冷却用吸気口が異物で塞がれていると、火災を起す危険性があります。
- 保護メガネとイヤマフを着用してください。適切な身体保護具によって負傷を減少させることができます。
- 本製品の操作中は常に滑りにくい保護靴を着用してください。裸足やサンダルで本製品の操作をしないでください。動作中のカッターと足が接触しないようにすることで負傷の可能性が減少します。
- 本製品の操作中は、使用者の足を覆うズボンなどを常に着用してください。動作中のカッターやナイロンコードに接触すると、負傷につながるおそれがあります。
- 本製品の操作中は、人を近づけないようにしてください。破片が飛んで重大な負傷につながるおそれがあります。
- 本製品は腰より上の高さで操作しないでください。カッターが偶発的に何かに接触するのを防ぐことができ、不測の事態でも本製品を適切に制御することが可能になります。
- 濡れている芝に本製品を使用する場合は注意してください。歩きながら操作し、決して走らないでください。滑って転倒して負傷する可能性が減少します。
- 本製品は急斜面では使用しないでください。制御が効かずに滑って転倒して負傷する可能性が減少します。
- 斜面で作業する場合は、常に足元を確認して、斜面を上下することは避けて横方向に移動してください。方向を変えるときは特に注意を払ってください。

い。制御が効かずに滑って転倒して負傷する可能性が減少します。

- すべての電源コードとケーブルを芝刈りエリアから離してください。生け垣や藪に隠れた電源コードやケーブルがナイロンコードやカッターによって誤って切断される可能性があります。
- 体のあらゆる部分を、トリマーカッターやナイロンコードから遠ざけるようにしてください。電源の接続を外すまでは、本製品の付着物を清掃しないでください。トリマーカッターやナイロンコードが動作して、重大な負傷につながるおそれがあります。
- 本製品を運ぶ場合は、スイッチをオフにして体から離してください。本製品を適切に取り扱うことで、誤って動作中のトリマーカッターやナイロンコードと接触する可能性が減少します。
- 必ずメーカー指定のカuttingヘッドとトリマーカッターまたはナイロンコードと交換してください。トリマーカッターやナイロンコードを金属のワイヤーやブレードと交換しないでください。交換パーツが不適切な場合は、制御を失ったり、破損や負傷したりする可能性があります。

身体保護具



警告： 本製品を使用する前に、以下の警告指示をお読みください。

- 本製品を使用するときは、常に、認可された身体保護具を着用してください。身体保護具で怪我を完全に防止できるわけではありませんが、万が一事故が起きた場合、負傷の度合いを軽減することができます。適切な保護具の選択については、販売店にご相談ください。
- 認可されたイヤマフを使用してください。

(図 21)

- 認可された防護メガネを使用してください。バイザーを使用する場合は、認可された防護ゴーグルも使用する必要があります。認可された保護メガネは、米国の ANSI Z87.1 規格または EU 諸国の EN 166 に適合しなければなりません。

(図 22)

- カutting装置の取り付け、点検、清掃を行う場合は、必要に応じて保護グローブを着用してください。

(図 23)

- つま先部がスチール製で、ノンスリップ靴底の保護ブーツを着用してください。

(図 24)

- 丈夫な素材でできた服を着用してください。常に厚手の長いズボンと長袖を着用してください。小枝や枝が引っかかるようなゆったりした衣服は身につけないでください。装身具、半ズボン、サンダルを着用しないでください。裸足では使用しないでください。安全のため、髪の毛は肩より上にもとめてください。

- ・ 救急器具を近くに用意してください。

(図 25)

本製品の安全装置



警告： 本製品を使用する前に、以下の警告指示をお読みください。

この項では、本製品の安全機能とその目的、本機の正しい動作を確保するための点検とメンテナンスの方法について説明します。本製品の部品の位置については、はじめに 488 ページを参照してください。

本製品のメンテナンスを適切に行わなかったり、専門技術者が整備・修理を行わなかったりすると、本製品の寿命が短くなり、事故発生の危険性が増します。詳しくは、お近くのサービス代理店にお問い合わせください。



警告： 安全装置が損傷している製品は決して使用しないでください。本項目の記載に従って、本製品の安全装置の点検、メンテナンスを行ってください。お持ちの製品がこれらの点検項目を一点でも満たさない場合は、お近くのサービス代理店に修理を依頼してください。



注意： 本機に関するすべてのサービス、修理には、特別な研修が必須です。本機の安全装置には、特に研修が必要です。本取扱説明書の点検に基づき、本機に不具合が見つかった場合は、サービス代理店に連絡してください。弊社の製品を購入されると、専門的な修理とサービスの提供も保証されます。本機を販売した小売店がサービス代理店ではない場合、最寄りのサービス代理店の住所を小売店にお尋ねください。

ユーザーインターフェイスのチェック

緑色の LED (A) は、製品の電源が入っていて動作していないときにバッテリー状態を示します。

- ON/OFF ボタン (B) を押し続けます。(図 26)
 - 製品に電源が入っていると緑色の LED (A) が点灯します。
 - 製品の電源が切れていると緑色の LED (A) が消灯します。
- 警告インジケータ (C) が点灯または点滅している場合は、トラブルシューティング 500 ページを参照してください。

パワートリガーロックの点検

パワートリガーロックにより、偶発的な始動を防ぎます。パワートリガーロック (A) を押すとパワートリガー (B) が解放されます。ハンドルから手を放すと、パワートリガーとパワートリガーロックは元の位置に戻ります。

(図 27)

- パワートリガーロックが初期位置にあるときに、パワートリガーがロックされていることを確認します。

(図 28)

- パワートリガーを押して放すと、元の位置に戻ることを確認します。

(図 29)

- パワートリガーとパワートリガーロックがスムーズに動き、リターンスプリングが正しく機能することを確認します。

(図 30)

- 本製品を始動します。参照：本製品の始動方法 498 ページ。
- パワートリガーを放すと、カッティングアタッチメントが完全に停止することを確認します。

カッティングアタッチメントガードのチェック方法



警告： 認可されたカッティングアタッチメントガードを正しく取り付けしていないカッティングアタッチメントは使用しないでください。使用するカッティングアタッチメントガードを必ず使用してください。主要諸元 502 ページを参照してください。不適切なガードや損傷したガードを取り付けると、重傷事故の原因となる恐れがあります。

カッティングアタッチメントガードは、作業者のほうに飛んだ物体から作業者を守ります。カッティングアタッチメントガードは、作業者がカッティングアタッチメントに触って負傷することも防止します。

- モーターを停止します。
- ひびなどの損傷がないか、視認します。
- 損傷がある場合は、カッティングアタッチメントガードを交換します。

カッティング装置

適切なカッティング装置を選んでメンテナンスすることにより、

- ・ 鋸断性能を最大限に引き出せます。
- ・ カッティング装置の寿命が延びます。



警告： 当社推奨のガードが付いたカッティングアタッチメントのみを使用してください。参照：主要諸元 502 ページ。ナイロンコードを装着する正しい方法や適切なコ

ードの直径については、カッティングアタッチメントの説明を参照してください。



警告： カッティング装置に損傷があると、事故の危険性が高まる恐れがあります。

トリマーヘッド



警告： 危険な振動が発生することを防止するため、ナイロンコードをドラムにしっかりと均等に巻きつけてください。

(図 31)

- 推奨されたトリマーヘッドとナイロンコードのみを使用してください。
- 推奨されたカッティングアタッチメントのみを使用してください。
- 一般的に小型の機器には、より小さいトリマーヘッドが必要で、大型の機器ではその反対になります。
- ナイロンコードの長さも重要です。ナイロンコードが長い場合、同じ直径の短いコードを使用する場合よりもエンジンの馬力が大きくなければなりません。
- トリマーガードのカッターが破損していないか確認してください。これはコードを正しい長さに切るために使用します。
- ナイロンコードの寿命を長くするには、水に 2-3 日浸します。

バッテリーの安全



警告： 安全および一般的な注意事項をすべて読んでください。安全および一般的な注意事項に従わない場合、感電、火災、あるいは深刻な傷害に至る場合があります。すべての安全に関する情報と一般的な注意事項は、後で参照できるように保管しておいてください。

- この安全上の注意事項は、POWER FOR ALL システム用 18V リチウムイオン充電式バッテリーにのみ適用されます。
- 充電式バッテリーは POWER FOR ALL システムパートナーの製品でのみ使用してください。POWER FOR ALL のラベルが貼付されている 18V 充電式バッテリーは、次の製品と完全に互換性があります。
 - 18V POWER FOR ALL バッテリーシステムのすべての製品。
 - POWER FOR ALL システムパートナーの 18V 製品。
- お使いの製品の取扱説明書に記載されているバッテリーの推奨事項に従ってください。この方法により、充電式バッテリーと製品を安全に操作でき、充電式バッテリーを危険な過負荷から保護できます。
- バッテリーを充電する場合は、製造元または POWER FOR ALL システムパートナーが推奨する

充電器のみを使用してください。1種類のバッテリーのみに適合する充電器では、異なる種類のバッテリーを使用した場合、火災が発生するおそれがあります。

- バッテリーは一定レベル充電された状態で提供されます。バッテリー容量を最大限に活用するには、最初にバッテリーツールを使用する前に、充電器でバッテリーをフル充電してください。
- バッテリーパックは子供が近づけない場所に保管してください。
- バッテリーは開けないでください。短絡する危険があります。
- バッテリーが損傷していたり、バッテリーを不適切に使用したりすると、蒸気が発生する場合があります。バッテリーが発火または爆発するおそれがあります。換気の良い場所で作業してください。気分が悪くなった場合は医師の診察を受けてください。蒸気を吸い込むと呼吸器系に痛みを感じる場合があります。
- 誤って使用した場合、またはバッテリーが損傷した場合、バッテリーから可燃性の液体が漏れ出す場合があります。この液体に触れないでください。誤って触れてしまった場合は、水で洗い流してください。液体が目に入った場合は、医師の診察を受けてください。バッテリーから漏れ出した液体は、炎症や火傷を引き起こすことがあります。
- バッテリーが損傷している場合、液体が漏れ、製品が液体で覆われる可能性があります。液体がかかった部品を確認してください。これらの部品は洗浄するか、必要に応じて交換してください。
- バッテリーパックを短絡させないでください。バッテリーパックを使用しないときは、ペーパークリップ、コイン、キー、爪きり、ネジなどの金物、あるいは端子間を短絡するおそれがある他の小さな金物から遠ざけるようにしてください。バッテリー端子の短絡は、火傷や火災を引き起こす恐れがあります。
- バッテリーは、釘やドライバーなどの鋭利な物により、または外部から強い力を受けることで、損傷する可能性があります。内部短絡が発生し、バッテリーが発火、発煙、爆発、または過熱する可能性があります。
- 損傷したバッテリーパックを決して修理しようとししないでください。バッテリーパックの修理は、製造元または認定サービス代理店しか行えません。
- バッテリーは熱（長時間の直射日光）、炎、汚れ、水、湿気などから保護してください。爆発や短絡の危険性があります。
- 周囲温度が -5°C — 40°C の場合にのみ本製品にバッテリーを使用してください。
- バッテリーは、周囲温度 -20°C — 50°C の範囲内でのみ保管してください。例えば、夏場にバッテリーを車内に放置しないでください。温度が 0°C 未満の場合、一部のデバイスは電源が喪失する可能性があります。
- バッテリーは、周囲温度 0°C — 35°C の範囲内でのみ充電してください。この温度範囲外で充電すると、バッテリーが損傷し、火災の危険が生じるおそれがあります。

バッテリー充電器の安全性



警告：安全および一般的な注意事項をすべて読んでください。安全および一般的な注意事項に従わない場合、感電、火災、あるいは深刻な傷害に至る場合があります。これらの注意事項は安全な場所に保管してください。充電器は、すべての機能を完全に評価して制限なく実行できる場合、または対応する取扱説明書を受け取った場合のみ使用してください。

- 使用中、清掃中、およびメンテナンス中は子供が近づかないようにしてください。子供が充電器に触れないようにしてください。
- POWER FOR ALL システムの容量 1.5 Ah 以上（5 個以上のバッテリーセル）の 18 V リチウムイオンバッテリーのみを充電してください。バッテリー電圧は、充電器のバッテリー充電電圧と一致する必要があります。充電式以外のバッテリーは充電しないでください。充電すると、火災や爆発するおそれがあります。
- 充電器を雨露や湿潤な環境にさらさないでください。パワーツール内に水が入ると、感電のリスクが高まります。
- 充電器は清潔に保ってください。埃により感電する危険があります。
- 充電器、ケーブル、プラグは、使用前に必ず確認してください。損傷がある場合は、充電器の使用を中止してください。充電器を開けないでください。また、純正の交換部品のみを使用して、有資格者のみが修理してください。充電器、ケーブル、プラグが損傷すると、感電の危険性が高まります。
- 充電器は、容易に発火する表面（紙、繊維など）や引火性の環境で使用しないでください。作動中に充電器が過熱すると、火災が発生する可能性があります。
- メーカー指定の充電器のみを使って充電してください。1 種類のバッテリーパックのみに適合する充電器は、それ以外のバッテリーパックの充電で使用した場合、火災を起こす恐れがあります。
- バッテリーが損傷していたり、バッテリーを不適切に使用したりすると、蒸気が発生する場合があります。換気の良い場所で作業してください。気分が悪くなった場合は医師の診察を受けてください。蒸気を吸い込むと呼吸器系に痛みを感じる場合があります。
- 劣悪な環境では、液体がバッテリーから漏れ出すことがあります。この液体に触れないでください。誤って触れてしまった場合は、水で洗い流してください。液体が目に入った場合は、医師の診察を受けてください。バッテリーから漏れ出した液体は、炎症や火傷を引き起こすことがあります。
- 充電器の通風孔が塞がれないようにしてください。充電器が過熱し、正常に機能しなくなる可能性があります。
- 安全上の問題が発生しないようにするために、電源コードを交換する必要がある場合は、ハスクバーナ

またはハスクバーナパワーツールの修理が許可されているカスタマーサービスセンターで交換する必要があります。

- 製品は英国でのみ販売されています。本製品には、内部ヒューズ付き BS 1363/A 認証電気プラグが装備されています（ASTA は BS 1362 を承認）。プラグがコンセントに適合しない場合は、認定カスタマーサービス担当者がプラグを切断し、適切なプラグを所定の場所に取り付ける必要があります。交換用プラグのヒューズ定格は、元のプラグと同じ必要があります。破損したプラグは、感電を防ぐために廃棄してください。また、コンセント以外には絶対に差し込まないでください。



警告：心停止の危険！本製品では、操作中に電磁場が発生します。この電磁場は、ある条件下でアクティブ、またはパッシブな医療用インプラントに影響を及ぼすことがあります。負傷や死亡に至る状況が発生しないようにするために、医療用インプラントを使用している方は、本製品を使用する前に医師および医療用インプラントの製造元に相談することをお勧めします。



警告：窒息の危険！簡単に飲み込める小さな部品があります。また、ポリ袋で幼児が窒息する危険もあります。製品を組み立てるときは、幼児が近づかないようにしてください。

メンテナンスのための安全注意事項



警告：本製品のメンテナンスを行う前に、以下の警告指示を読んでください。

- メンテナンス、その他の点検、または製品の組み立てを行う前に、バッテリーを取り外してください。
- 作業者は本取扱説明書に記載されているメンテナンスとサービスだけを実施してください。メンテナンスおよびさまざまなサービスについては、サービス代理店にお問い合わせください。
- バッテリーまたはバッテリー充電器を水分を含んだ布で拭いたり、水で洗浄したりしないでください。強い洗剤を使用すると、プラスチックの部品が損傷する場合があります。
- メンテナンスを実施しないと、製品の寿命が短くなり、事故の危険性が増します。
- 特に本製品の安全装置については、すべての整備と修理の作業に特殊な訓練が必要です。メンテナンスを実施した後、この取扱説明書の点検項目の中に不合格の項目があった場合は、サービス代理店にお問い合わせください。当社は、お客様の製品のために、プロフェッショナルな修理と整備を提供することを保証します。
- 純正の交換部品のみを使用してください。

組立

はじめに



警告： 本製品を組み立てる前に、安全に関する章を読んで理解してください。

トリマーガードの取り付け方法

1. トリマーガードをモーターハウジングに取り付けます。(図 32)
2. トリマーヘッドとトリマーガードのハウジングにボルトを通します。(図 33)
3. ボルトを締めます。

トリマーヘッドの組み立て方法

1. 出力シャフトを回し、ドライブディスクの穴の1つをギアハウジングの穴に合わせます。
2. コンビツールを穴に取り付けて、シャフトをロックします。
3. トリマーヘッドを時計方向に回します。(図 34)

プラントガードの取り付け方法

1. プラントガードをモーターハウジングの穴に取り付けます。(図 35)

2. プラントガードが前後に自由に動くことを確認します。(図 36)

フックの壁への取り付け方法

- フックは屋内に設置します。
- フックに直射日光が当たらないようにして、周囲温度は -10°C ~ 70°C にしてください。
- フックを乾式壁、木またはコンクリートの壁に取り付けます。



注意： 壁が少なくとも 30 kg の負荷を保持できることを確認してください。

- 3本のネジで壁にフックを取り付けます。必要に応じて、ウォールプラグ (B) を使用します。(図 37)



注意： ネジが壁のタイプに適していることを確認してください。

- 製品の保管に使用できるアクセサリーについての情報は、Husqvarna サービス担当者に連絡してください。

Operation (操作)

はじめに



警告： 本製品を使用する前に、安全に関する章を読んで理解してください。

本製品を操作する前に

- 作業エリアを調査し、現場の状況を十分理解してください。土地の傾斜を調べ、石、枝、溝などの障害物が無いが確認してください。
- 本製品の一般的な点検を行います。
- 本書に記載の安全注意事項、メンテナンスおよびサービスを実施してください。
- モーターに汚れやヒビがないことを点検します。ブラシを使用してモーターから草や葉を払い落とします。必要に応じて、グローブを着用してください。
- トリマーヘッドとカッティングアタッチメントガードに損傷やひびがないが点検します。損傷やひびがある場合は、トリマーヘッドとカッティングアタッチメントガードを交換します。
- ナットとネジをしっかり締めます。
- 本製品を使用する前に、カバー、ガード、ハンドルおよびカッティング装置のいずれにも損傷がなく、すべて正しく取り付けられていることを確認してください。

バッテリー



警告： バッテリーを使用する前に、安全に関する章をお読みにになり、内容を理解してください。バッテリーおよびバッテリー充電器の取扱説明書もお読みにになり、内容を理解してください。

バッテリーとバッテリー充電器を適切な周辺温度の場所に保管します。

	周辺温度
製品のバッテリーの動作	-5°C — 40°C
バッテリーの充電	0°C — 35°C

バッテリーの充電

初めて使用する前に、バッテリーを充電してください。

注記： バッテリー温度が 35°C を超える場合は、バッテリーは充電されません。

1. バッテリー充電器用電源コードを、接地されている主電源に接続します。



注意：主電源の電圧と周波数が正しいことを確認してください。

2. バッテリーをバッテリー充電器に取り付けます。バッテリーが充電器に接続されると、緑色の LED が点滅します。(図 38)
3. バッテリー充電器の緑色の LED が点灯している場合、バッテリーは完全に充電されています。バッテリーを最大 24 時間充電します。
4. バッテリー充電器を主電源から外します。



注意：電源コードを引っ張らないでください。

5. バッテリー充電器からバッテリーを外します。

バッテリー充電器のバッテリーステータス LED

バッテリー充電器の赤色の LED (A) と緑色の LED (B) は、バッテリーステータスを示します。参照：製品のバッテリーステータス LED498 ページ。

(図 39)

LED	バッテリーステータス
緑色の LED がすばやく点滅	バッテリーは充電中です。
緑色の LED がゆっくりと点滅	バッテリーは 80 % 充電済みです。
緑色の LED が点灯	バッテリーの充電が完了しています。
赤色の LED が点灯	参照：製品のバッテリーステータス LED498 ページ。
赤色の LED がすばやく点滅	参照：製品のバッテリーステータス LED498 ページ。

製品のバッテリーステータス LED

製品にバッテリーを取り付けると、製品の LED によりバッテリーステータスが示されます。

(図 40)

LED	バッテリーステータス
LED 1、2、3 が点灯	フル充電済みです。
LED 1、2 が点灯	十分に充電されました
LED 1 が点灯	バッテリー残量が低下しています。

LED	バッテリーステータス
LED 1 が点滅	バッテリーは空です。バッテリーステータスインジケータが点滅バッテリーを充電してください。参照：バッテリーの充電 497 ページ。

バッテリーの取り付け方法



警告：バッテリーは、POWER FOR ALL システム 18V の製品にのみを使用してください。

1. バッテリーがフル充電されていることを確認してください。
2. バッテリーを本製品のバッテリーホルダーに取り付けます。バッテリーは簡単にホルダーにはまりません。はまらない場合は、正しく取り付けられていません。

(図 41)

3. バッテリーがロックされると、カチッという音がします。

本製品の始動方法

1. 緑色の LED ランプが点灯するまで、ON/OFF ボタンを押し続けます。(図 42)
2. パワートリガーロックとパワートリガーを押します。カッティング装置が回転します。

ループハンドルと伸縮シャフトの調整方法

1. ループハンドル調整ボタンを押します。

(図 43)

2. ループハンドルを適切な角度に調整します。
3. ループハンドル調整ボタンを放します。
4. シャフトのレバーを緩めます。(図 44)
5. シャフトを必要な長さに設定します。
6. レバーを閉じてネジを締め込みます。

注記：次の図に示す 2 つのループハンドルの位置は、搬送および / または保管のみを目的としたものです。

(図 45)

自動シャットダウン機能

本製品には、使用されていないときに停止する自動シャットダウン機能があります。本製品は 3 minutes 後にシャットダウンします。

製品の操作方法

トリミングする場合

1. 地表すれすれのところで角度をつけてトリマーヘッドを保持します。ナイロンコードを草の中に押し込まないでください。(図 46)
2. ナイロンコードの長さを 8~10 cm/3.15~4 インチにします。

芝を刈る方法

1. トリマーヘッドを地面の上に保持します。
2. トリマーヘッドを傾けます。
3. 作業領域内の物体の周囲をナイロンコードの端で刈り込みます。



注意： 芝を刈ります。ナイロンコードに他の物体が当たると、ナイロンコードの摩耗が早まります。

草を刈る場合

1. 刈払の際に、ナイロンコードを地面と平行に維持してください。(図 47)
2. トリマーヘッドを地面に押し当てないでください。本製品が損傷する場合があります。
3. 芝を刈るときは、本製品を左右に動かします。(図 48)

草を吹き飛ばす場合

刈払機の回転するナイロンコードによる気流で、刈った草をエリア外に吹き飛ばすことができます。

1. トリマーヘッドとナイロンコードを、地表すれすれのところで、地面と平行に保持します。
2. トリマーヘッドを左右に動かし、草を吹き飛ばします。



警告： ハンドルのバランスを取り振動を抑えるため、新しいナイロンコードを取り付けるたびに、トリマーヘッドカバーを清掃してください。トリマーヘッドの他の部分もチェックし、必要に応じて清掃してください。

本製品の停止方法

1. パワートリガーおよびパワートリガーロックを放します。
2. 緑色の LED が消灯するまで ON/OFF ボタンを押し続けます。
3. バッテリーのリリースボタンを押して、バッテリーを本製品から取り出します。(図 49)

ナイロンコードの交換

本取扱説明書の最後のページを参照してください。

メンテナンス

はじめに



警告： 本製品のメンテナンスを実行する前に、安全に関する章を読んで理解してください。

本製品に必要なメンテナンス手順のリストは以下のとおりです。詳細については、メンテナンス 499 ページを参照してください。

メンテナンススケジュール



警告： メンテナンスを実行する前にバッテリーを外してください。

メンテナンス	毎日	毎週	毎月
乾いた布で製品外側の部品を清掃してください。水は使わないでください。	X		
スタート / ストップボタンが正しく機能し、損傷がないことを確認します。	X		
パワートリガーとパワートリガーのロック機能が、安全面から見て正しく 작동することを確認します。	X		
コントロールがすべて機能し、損傷がないことを確認します。	X		
ハンドルは乾燥した清潔な状態に保ち、オイルやグリスが付着しないようにしてください。	X		
カッティングアタッチメントに損傷がないことを確認してください。損傷がある場合は、カッティングアタッチメントを交換します。	X		

メンテナンス	毎日	毎週	毎月
カッティングアタッチメントガードに損傷がないことを確認してください。損傷がある場合は、カッティングアタッチメントガードを交換します。	X		
ネジとナットが確実に締められていることを確認します。	X		
バッテリーリリースボタンが正常に作動し、本製品にバッテリーをロックできるか確認してください。	X		
バッテリー充電器に損傷がなく、正しく機能することを確認します。	X		
バッテリーに損傷がないことを確認してください。	X		
バッテリーが充電されていることを確認してください。	X		
バッテリー充電器に損傷がないことを確認してください。	X		
すべてのケーブル、カップリング、接続部を点検してください。損傷がなく、汚れが付着していないことを確認します。		X	
バッテリーと本製品の接続を確認してください。バッテリーとバッテリー充電器の接続を確認してください。			X

バッテリーとバッテリー充電器の点検方法

1. バッテリーにヒビなどの損傷がないか調べます。
2. バッテリー充電器にヒビなどの損傷がないか調べます。
3. 充電器の電源コードを点検し、破損や亀裂がないことを確認してください。

製品、バッテリー、およびバッテリー充電器の清掃方法

1. 使用後は、製品を乾いた布で拭いてください。
2. バッテリーとバッテリー充電器を、乾いた布で拭いてください。バッテリーガイドトラックは清潔さを保ってください。
3. バッテリーをバッテリー充電器や本製品に入れる前に、バッテリーとバッテリー充電器の端子に汚れがないことを確認してください。

トリマーヘッドの点検および交換方法

1. トリマーヘッドに損傷やヒビがないか点検します。
2. 出力シャフトを回し、ドライブディスクの穴の1つをギアハウジングの穴に合わせます。
3. コンビツールを穴に取り付けて、シャフトをロックします。
4. トリマーヘッドを半時計方向に回します。

(図 50)

5. トリマーヘッドを交換します。
6. トリマーヘッドを取り付けます。参照：トリマーヘッドの組み立て方法 497 ページ。

トラブルシューティング

ユーザーインターフェイス

問題	想定される障害	解決方法
緑色の始動 LED が点滅。	バッテリーの電圧が下がっています。	バッテリーを充電してください。

問題	想定される障害	解決方法
赤いエラー LED が点滅。	過負荷。	カuttingアタッチメントを自由に動かさない。カuttingアタッチメントを解放してください。
	温度範囲外です。	本製品を冷却してください。
	パワートリガーとスタートボタンが同時に押されている。	パワートリガーを放し、始動ボタンを押します。
緑色の LED と赤色の LED が交互に点滅している。	バッテリーが空です。	バッテリーを充電してください。
	バッテリーが損傷しています。	販売店にお問い合わせください。

バッテリー充電器

バッテリー充電器の LED	原因	解決策
緑色の LED が点灯し、赤色の LED が点滅している。	バッテリーがバッテリー充電器に正しく取り付けられていません。	充電器からバッテリーを取り外し、再度バッテリー充電器に取り付けます。
	バッテリーコネクタが汚れています。	バッテリーコネクタを清掃します。
	周囲温度が高すぎるか低すぎます。	バッテリー充電器は 0 °C ~ 35 °C の温度で使用してください。
	バッテリーに不具合があります。	バッテリーを交換します。
緑色の LED と赤色の LED が消灯している。	バッテリー充電器が主電源コンセントに正しく接続されていません。	バッテリー充電器をコンセントに接続します。
	主電源コンセントに障害があります。	定格プレートで指定されている電圧と周波数を持つ電源にバッテリー充電器を接続してください。
	バッテリー充電器のケーブルに不具合があります。	販売店にご相談ください。
	バッテリー充電器に不具合があります。	
その他のエラー。	その他のエラーが発生した場合は、製品の電源を切り、バッテリーを取り外して、認定サービス代理店にお問い合わせください。	

搬送、保管、廃棄

搬送と保管

- 同梱のリチウムイオンバッテリーは、危険物の規制に関する規則に準拠しています。
- 民間の運送業者による商用輸送においては、梱包およびラベル付けに関して所定の要件に従ってください。
- 本製品を発送する前に、危険物に関して特別な訓練を受けた担当者にご相談ください。該当するすべての国内規制に従ってください。
- バッテリーを梱包するときは、露出している端子にテープを貼ってください。バッテリーを固定し、動かないように梱包してください。

- 保管するときや搬送時はバッテリーを外してください。
- バッテリーとバッテリー充電器は、乾燥して湿気や霜がない場所に置いてください。
- 静電気が発生する可能性のある場所に本製品を保管しないでください。バッテリーは金属製の箱に保管しないでください。
- バッテリーは温度が $-20 \sim +50 \text{ }^{\circ}\text{C}$ ($-4 \sim 122 \text{ }^{\circ}\text{F}$) の場所に保管し、直射日光から遠ざけてください。
- バッテリー充電器は温度が $5 \sim 45 \text{ }^{\circ}\text{C}$ ($41 \sim 113 \text{ }^{\circ}\text{F}$) の場所に保管し、直射日光から遠ざけてください。
- 本製品は、温度が $-40 \sim +60 \text{ }^{\circ}\text{C}$ ($-40 \sim 140 \text{ }^{\circ}\text{F}$) の場所に保管してください。
- バッテリー充電器は、周囲温度が $0 \sim 35 \text{ }^{\circ}\text{C}$ ($32 \sim 95 \text{ }^{\circ}\text{F}$) の場合にのみ使用してください。
- バッテリーを長期間保管するときは、充電量を 30 ~ 50 % にしてください。
- バッテリー充電器は、密閉した乾いた場所に保管してください。
- バッテリーの保管中は、バッテリー充電器から遠ざけてください。子供や許可されていない他の人が機器に触れないようにしてください。施錠できる場所に装置を保管してください。
- 製品を長期間保管する場合は、その前に製品を清掃し、よく点検しておいてください。
- 搬送中および保管中に製品が傷ついたり損傷したりしないように、製品の移動用ガードを使用してください。
- 搬送中は製品をしっかりと固定してください。
- 本製品は、水平に保管するか、付属のフックに掛けて保管してください。参照：フックの壁への取り付け方法 497 ページ。

(図 51)

バッテリー、バッテリー充電器、および製品の廃棄

以下のマークは、本品が家庭ゴミではないことを示しています。電気・電子機器のリサイクル業者にリサイクルを依頼してください。これは、環境および人への被害を防止するためです。

詳細については、自治体の担当部局、家庭ゴミ収集業者、または販売店にお問い合わせください。

(図 18)

注記： マークは、製品または製品の容器に表示されています。

主要諸元

主要諸元

Aspire T28-P4A	
モーター	
モータータイプ	PMDC
出力シャフト速度、rpm	6800
刈幅、mm	280
質量	
バッテリーを除いた質量、kg	2.6
バッテリーを含む質量 (P4A 18-B45 / P4A 18-B70)、kg	3.0/3.3
騒音排出⁷³	
実測音響レベル dB (A)	85
保証音響レベル (L_{WA}) dB (A)	88
騒音レベル⁷⁴	
使用者の聴覚の等価音圧レベル。EN ISO 50636-2-91 dB (A) に従った計測値、dB (A)	73

⁷³ 環境における騒音の排出は、EC 指令 2000/14/EC に従って、音響パワー (L_{WA}) として測定。保証音響と計測音響の違いは、保証音響に計測結果のばらつきと、同一モデルの異なる機器の差異が含まれているためです。これは指令 2000/14/EC に則っています。

⁷⁴ 報告データによれば、製品の等価音圧レベルの一般的な統計上のばらつき (標準偏差) は 3 dB (A) です。

	Aspire T28-P4A
振動レベル ⁷⁵	
ハンドルの等価振動レベル。EN50636-2-91 に従って計測、m/s ²	2.26/1.61
トリマーヘッド (純正) を装着した状態、前 / 後	

バッテリー	P4A 18-B45	P4A 18-B72
タイプ	リチウムイオン	リチウムイオン
バッテリー容量 (Ah)	バッテリー定格ステッカー参照	バッテリー定格ステッカー参照
公称電圧、V	18	18
質量、kg	0.4	0.7

バッテリー充電器	P4A 18-C70
主電源電圧 (V)	220 ~ 240
周波数、Hz	50/60
電力、W	70
出力電圧、V d.c./アンペア、A	14.4 ~ 18 / 3

アクセサリ

認可されたアクセサリ

認可されたアクセサリ	タイプ	カッティングアタッチメントガード、部品番号
トリマーヘッド	A15B M5 (Ø 1.6 mm コード)	536 47 32-01

⁷⁵ 報告データによれば、等価振動レベルの一般的な統計上のばらつき (標準偏差) は、1.5 m/s² です。

適合宣言

EU 適合宣言

ハスクバーナ社 (Husqvarna AB, SE-561 82 Huskvarna, Sweden、電話番号 : +46-36-146500) は、単独責任のもとで、以下の製品の適合を宣言します。

名称	バッテリー草刈機
ブランド	Husqvarna
タイプ / モデル	Aspire T28-P4A
ID	2023 年以降の製造番号

が以下の EU 指令および規制を完全に順守し、

指令 / 規制	名称
2006/42/EC	「機械類に関する」
2014/30/EU	「電磁環境適合性に関する」
2000/14/EC	「環境への騒音排出に関する」
2011/65/EU	「電気・電子製品に含まれる特定有害物質の使用制限に関する」

および以下の規格または技術仕様が適用されています。
EN 60335-1:2012/A15:2021, EN 50636-2-91:2014, EN IEC 63000:2018, EN IEC 55014-1:2021; EN IEC 55014-2:2021。

試験機関 : 0158 DEKRA Testing and Certification GmbH, Handwerkstraße 15, 70565 Stuttgart, Germany
が評議会指令 2000/14/EC 適合性評価補足 VI の準拠を確認しました。

騒音排出に関する詳細 : 主要諸元 502 ページ。

Husqvarna, 2023-12-14



Claes Losdal, R&D Manager, Husqvarna AB

正式代表兼技術文書担当



ライセンス

Copyright © 2012–2020 STMicroelectronics

通常の磨耗、破損、過失、不適切な使用、不正修理、または吸引装置が誤った電圧に接続されていることによる不具合は、保証に含まれません。

All rights reserved.

ソース形式およびバイナリ形式での再配布および使用は、変更の有無にかかわらず、次の条件が満たされている場合に許可されます。

- ソースコードの再配布では、上記の著作権表示、この条件リスト、および以下の免責事項を保持する必要があります。
- バイナリ形式での再配布では、上記の著作権表示、この条件リスト、および次の免責事項を、配布物に付属のマニュアルおよび/またはその他の資料に複製する必要があります。
- STMicroelectronics の名称およびそのコントリビュータの名称は、書面による事前の許可なく、このソフトウェアから派生した製品を承認または宣伝するために使用することはできません。

本ソフトウェアは、著作権所有者およびコントリビュータにより「現状のまま」提供され、商品性および特定目的への適合性に関する黙示的な保証を含む（ただし、これらに限定されない）明示的または黙示的でないがなる保証も放棄されます。いかなる場合でも、著作権所有者、またはコントリビュータは、直接的損害、間接的損害、偶発的損害、特別損害、懲罰的損害、または派生的損害（代替品またはサービスの調達、使用不能、データ、または利益の損失、もしくはビジネスの中断などを含むがこれらに限定されない）について、当該損害の発生する可能性について知らされていた場合でも、責任の法理に基づいて、契約、厳格責任、または本ソフトウェアの使用から生じる不法行為（過失またはその他を含む）にかかわらず、責任を負わないものとします。

Apache 2.0 のライセンス

Copyright © 2009-2019 Arm Limited. All rights reserved.

バージョン 2.0、2004 年 1 月 <http://www.apache.org/licenses/>

使用、複製、配布に関する利用規約

1. 定義。

「**ライセンス**」とは、本書の 1~9 項で定義されている使用、複製、および配布に関する利用規約を意味します。「**ライセンサー**」とは、著作権所有者、またはライセンスを付与する著作権所有者が承認した事業体を意味します。「**法人**」とは、事業体と、事業体を管理するか、事業体により管理されるか、または事業体と共通の管理下にあるその他のすべての事業体の集合を意味します。この定義の場合、「**管理**」とは、(i) 契約の有無にかかわらず、直接または間接的に、当該事業体を指示または管理する権利、または (ii) 50% 以上の発行済み株式の所有権、または (iii) 当該事業体の受益所有権のことを意味しています。「**お客様**」とは、本ライセンスにより付与された権限を行使する個人または法人を意味

します。「**ソース**」形式とは変更を行うための推奨形式（ソフトウェアソースコード、ドキュメントソース、および構成ファイルなどを含むがこれらに限定されない）を意味します。「**オブジェクト**」形式とは、ソース形式の機械的な変換または変換によって生じるあらゆる形式（コンパイル済みのオブジェクトコード、生成されたドキュメント、他のメディアタイプへの変換などを含むがこれらに限定されない）を意味します。「**著作物**」とは、著作物に含まれる、または貼付されている著作権表示（以下の付録に例示）に示されているように、ソース形式またはオブジェクト形式にかかわらず、本ライセンスに基づいて使用可能な著作成果物を意味します。「**二次的著作物**」とは、ソース形式またはオブジェクト形式にかかわらず、著作物に基づいた（または著作物から派生した）著作物、および編集上の改訂、注釈、加工、またはその他の修正が、元の著作成果物全体を表すすべての著作物を意味します。本ライセンスでは、著作物および二次的著作物から分離できる著作物や、著作物および二次的著作物のインターフェイスの単なるリンク（または名前によるバインド）は、二次的著作物に含まれません。「**コントリビューション**」とは、著作権所有者、または著作権所有者に代わり提出する権限を付与された個人もしくは法人により、著作物に含めるために意図的にライセンサーに提出された、著作物のオリジナルバージョン、およびその著作物または二次的著作物に対する変更または追加を含む、あらゆる著作成果物を意味します。この定義の場合、「**提出**」とは、著作物について話し合い、改善する目的で、ただし、著作権所有者が書面で「**コントリビューションではない**」と明記した、またはその他の方法で指定した通信を除く、ライセンサーまたはその担当者に送信される電子、口頭、または書面によるあらゆる形式の通信（ライセンサーにより、またはライセンサーに代わり管理される電子メール、リングリスト、ソースコード管理システム、および課題管理システムなどによる通信を含むがこれらに限定されない）を意味します。「**コントリビュータ**」とは、そのコントリビューションがライセンサーに受領されて著作物に組み込まれたライセンサーおよびその代理を務める個人または法人のことを意味します。

2. 著作権の付与。

各コントリビュータは、本ライセンスの利用規約に従って、著作物および当該二次的著作物をソース形式またはオブジェクト形式で複製、作成、公に表示、公に実行、サブライセンス、および配布するために本ライセンスの、無期限かつ世界的、非独占的で無償の取り消し不能な著作権をお客様に付与します。

3. 特許ライセンスの付与。

各コントリビュータは、本ライセンスの利用規約に従って、著作物を作成、使用、販売用の提供、販売、輸入、またはその他の方法で譲渡するための無期限かつ世界的、非独占的で無償の取り消し不能な（本項に記載されている場合を除く）特許ライセンスをお客様に付与します。ただし、当該ライセンスは、当該コントリビューションが単独で、またはそのコントリビューションと当該コントリビューションが提出された著作物との組み合わせ

せにより必然的に侵害される場合にのみ適用されます。お客様が、著作物または著作物に組み込まれたコントリビューションが直接的または寄与特許侵害であると主張している事業者（訴訟での交差請求または反訴を含む）に対して特許訴訟を提起した場合、当該著作物について本ライセンスに基づいてお客様に付与された特許ライセンスは、当該訴訟が提起された時点で終了するものとします。

4.再配布。

お客様は、以下の条件を満たしている場合、著作物またはその二次的著作物の複製物を、変更の有無にかかわらず、ソース形式またはオブジェクト形式で、あらゆる媒体で複製および配布することができます。

- お客様は、著作物または二次的著作物の他の受領者には、本ライセンスのコピーを提供する必要があります。
- お客様は、変更したファイルに、お客様がファイルを変更したことを示す明示的な通知を提示する必要があります。また、お客様は、お客様が配布する二次的著作物のソース形式で、二次的著作物のいかなる部分にも関係のない通知を除き、著作物のソース形式からの著作権、特許、商標、および著作権の帰属に関するすべての通知を保持する必要があります。
- 配布物の一部として「通知」テキストファイルが含まれている場合、お客様が配布する二次的著作物には、二次的著作物のいかなる部分にも関係のない通知を除き、当該通知ファイルに含まれる帰属通知の読み取り可能なコピーを、二次的著作物の一部として配布される通知テキストファイル内、ソース形式もしくはドキュメント内（二次的著作物とともに提供される場合）、または二次的著作物により生成される表示物内（当該第三者の通知が通常表示される場合）のうち少なくとも1つの場所に含める必要があります。通知ファイルの内容は情報提供のみを目的としたものであり、ライセンスは変更されません。お客様は、著作物からの通知テキストとともに、またはその補足として、お客様が配布する二次的著作物内に独自の帰属通知を追加することができます。ただし、当該帰属通知が本ライセンスの変更と解釈されないことを条件とします。お客様は、独自の著作権宣言文をお客様の変更追加することができ、お客様の変更の使用、複製、または配布について、または当該二次的著作物全体に対して、著作物の使用、複製、および配布が、本ライセンスに記載されている条件に準拠していることを条件として、追加の、または異なるライセンス利用規約を提供することができます。

5.コントリビューションの提出。

お客様が明記しない限り、お客様が著作物に含めるために意図的にライセンサーに提出するすべてのコントリビューションは、追加の契約条件なしで本ライセンスの利用規約に従うものとします。上記にかかわらず、本契約のいかなる条項も、当該コントリビューションに関してライセンサーと締結した個別のライセンス契約の条件に優先したり、それを変更したりすることはありません。

6.商標。

本ライセンスは、著作物の出所を記述し、通知ファイルの内容を再現するための合理的かつ慣習的な使用の場合を除き、ライセンサーの商号、商標、サービスマーク、または製品名を使用する権限を付与するものではありません。

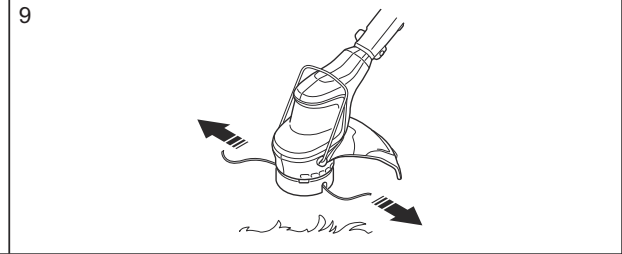
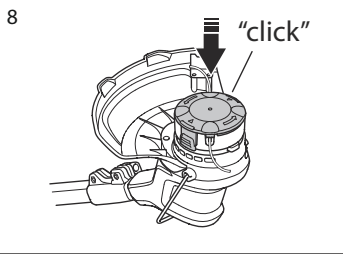
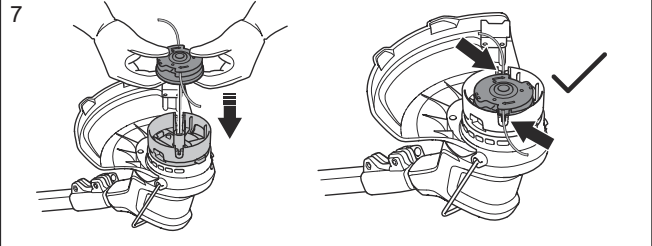
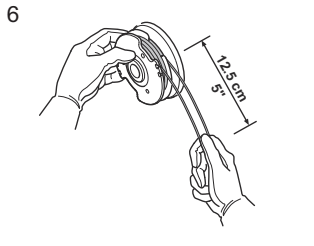
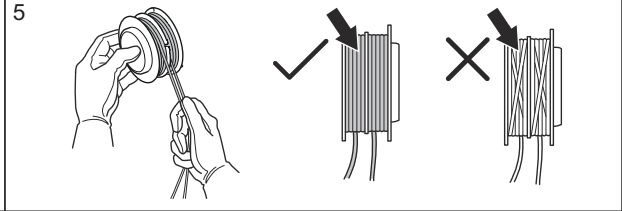
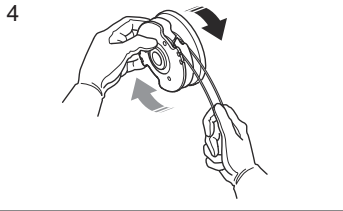
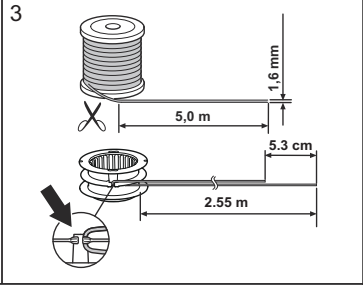
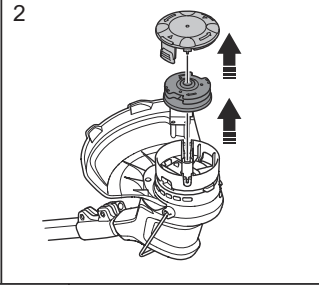
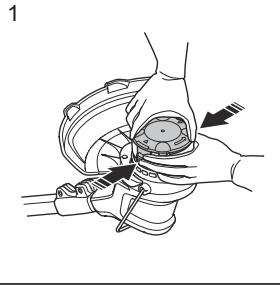
7.保証の否認。

適用法によって要求された場合、または書面により同意された場合を除き、ライセンサーは、いかなる種類の保証または条件でも「現状のまま」（権利、非侵害、商品性、または特定目的の保証と条件を制限なく含む）を明示的または黙示的に著作物を提供します（および各コントリビューターはそのコントリビューションを提供します）。お客様は、著作物の使用または再配布の適切性を判断する責任を単独で負い、本ライセンスに基づく許可の行使に関連するリスクを負うものとします。8.賠償責任の制限。いかなる法的理論においても、不法行為（過失を含む）、契約、その他の方法にかかわらず、適用法（意図的かつ重大な過失行為など）により要求された場合、または書面で合意された場合を除き、コントリビューターは、本ライセンスに起因する、または著作物の使用または使用不能に起因するあらゆる性質の直接的損害、間接的損害、特別損害、偶発的損害、派生的損害（業務上の信用の喪失、作業停止、コンピュータの故障または誤作動、またはその他のすべての商業的損害または損失などを含むがそれらに限定されない）について、当該コントリビューターが上記損害の発生する可能性について知らされている場合でも、責任を負わないものとします。

9.保証または追加責任の同意。

著作物またはその二次的著作物を再配布する場合、お客様は、本ライセンスに準拠したサポート、保証、補償、またはその他の責任義務および/または権利を提供し、料金を請求することができます。ただし、当該義務に同意する場合、お客様は、各コントリビューターに生じた責任またはそのコントリビューターに対して主張された申し立てについて、各コントリビューターを補償し、弁護士、損失を与えないことに同意した場合に限り、当該保証または追加責任にお客様が同意することを理由として、他のコントリビューターの代理ではなく、お客様自身がお客様の単独責任で行動することができます。利用規約の終了

A15B M6





FR

Cet appareil,
ses cordons,
et batterie
se recyclent

À DÉPOSER

EN MAGASIN



OU

À DÉPOSER

EN DÉCHÈTERIE



Points de collecte sur www.quefairedemesdechets.fr
Privilégiez la réparation ou le don de votre appareil !

Husqvarna®

www.husqvarna.com

Original instructions
Оригинални инструкции
Původní pokyny
Originale instruktioner
Originalanweisungen
Αρχικές οδηγίες
Instrucciones originales
Originaaljuhend
Alkuperäiset ohjeet

Instructions d'origine
Originalne upute
Eredeti útmutatás
Istruzioni originali

Originalios instrukcijos
Lietošanas pamācība
Originale instructies
Originale instruksjoner
Originalne instrukcije
Instruções originais
Instrucțiuni inițiale
Pôvodné pokyny
Bruksanvisning i original
Original talimatlar
Оригинальні інструкції
取扱説明書原本



FR



1143060-38

Rev. D



2024-03-14