



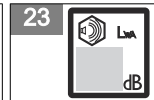
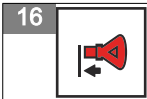
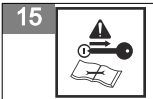
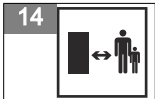
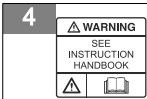
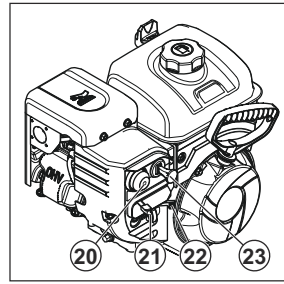
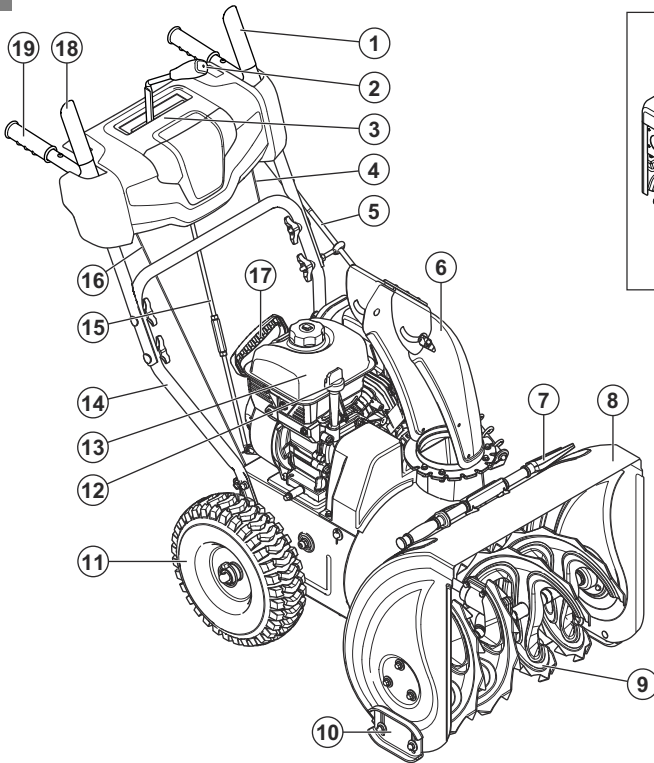
Husqvarna®

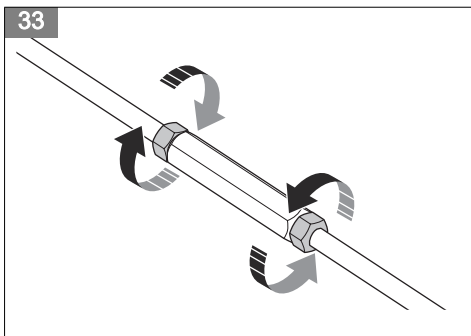
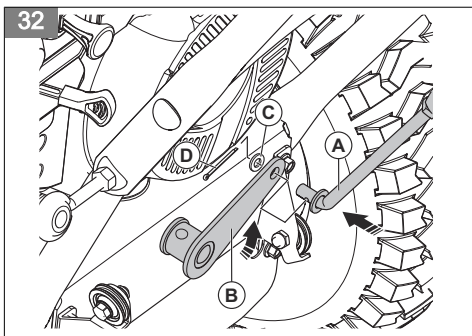
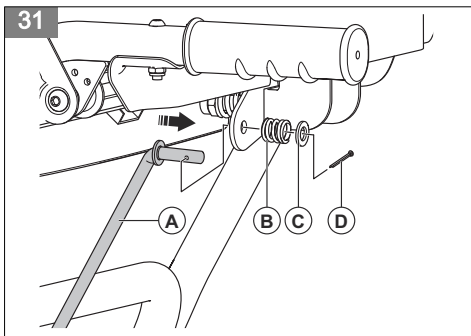
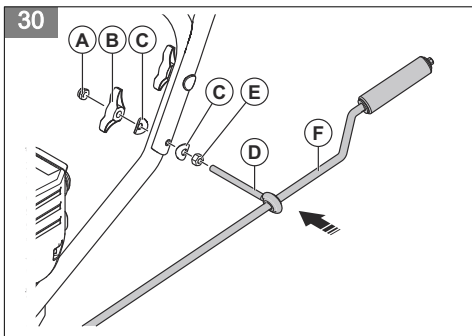
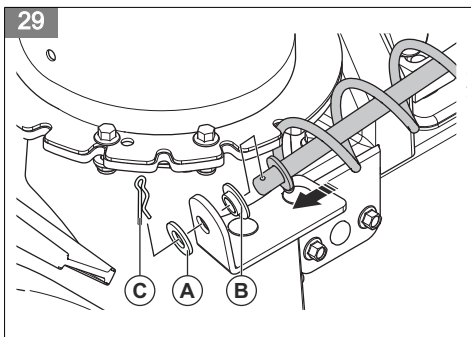
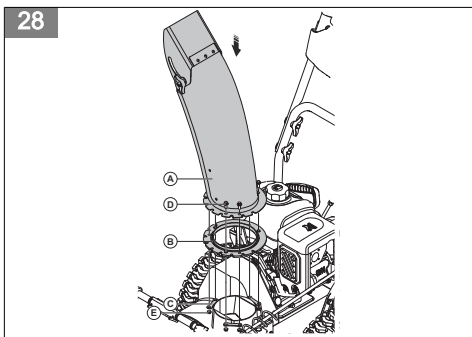
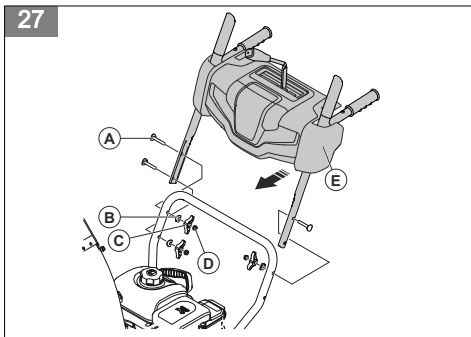
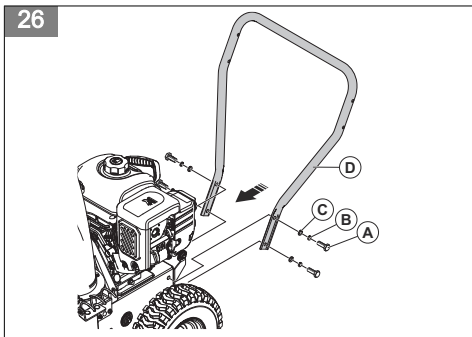


ST 124

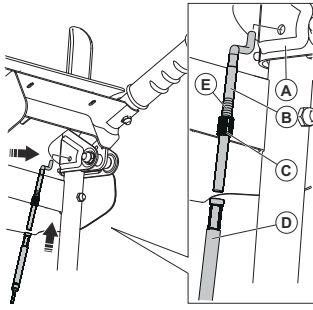
EN Operator's manual
ES-MX Manual del usuario
FR-CA Manuel d'utilisation

7-20
21-37
38-54

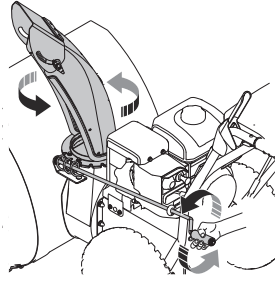




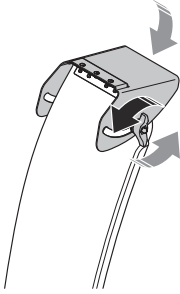
34



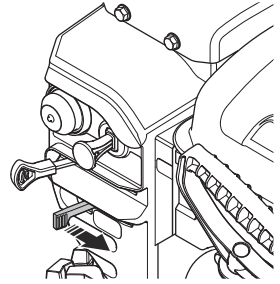
35



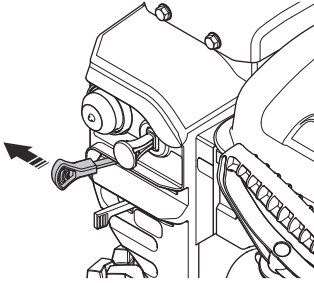
36



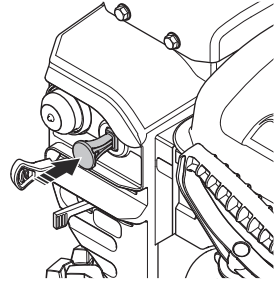
37



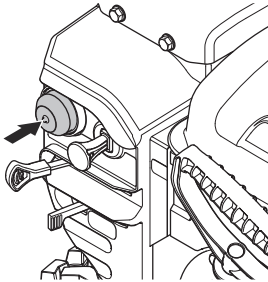
38



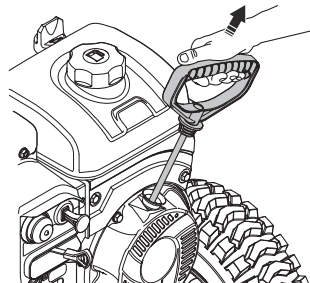
39

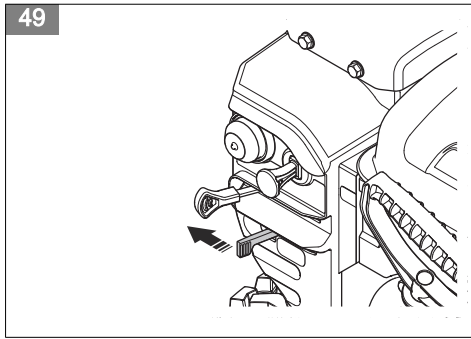
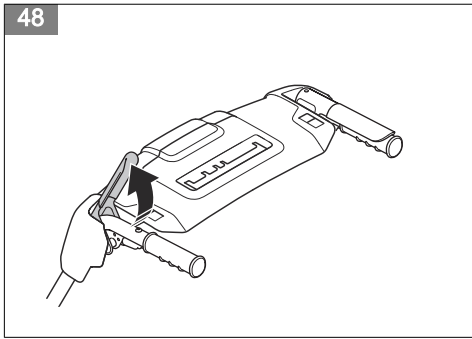
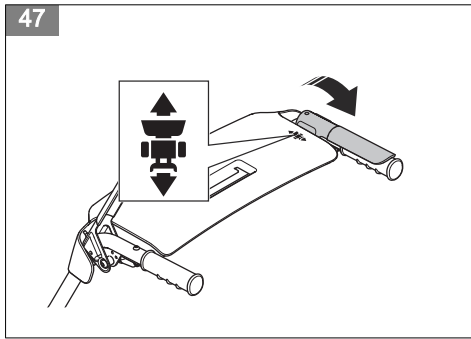
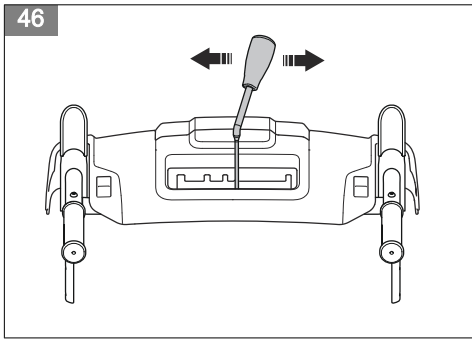
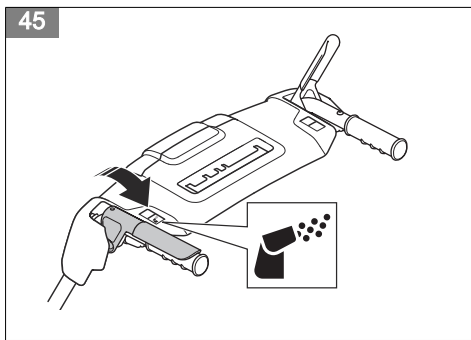
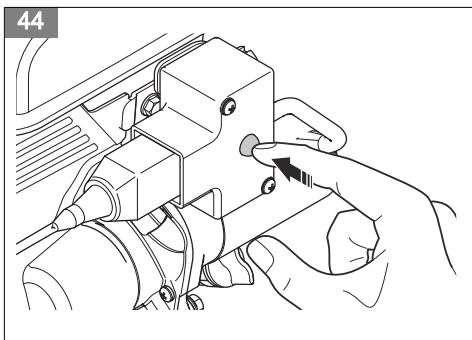
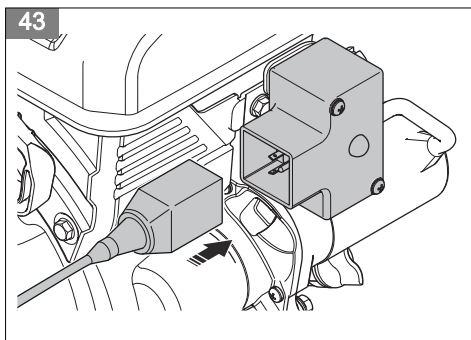
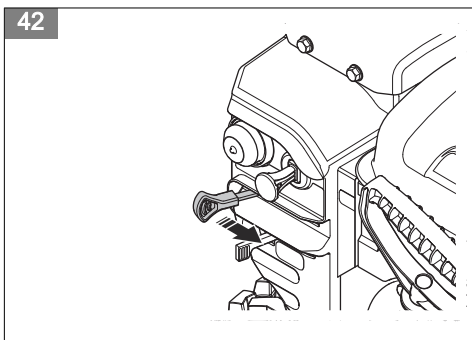


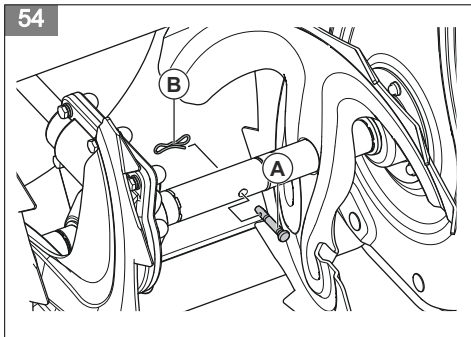
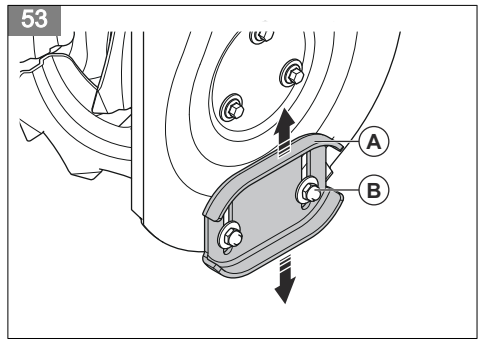
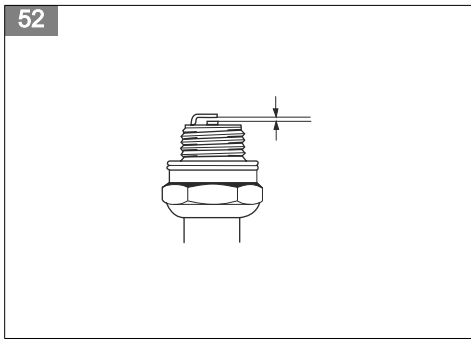
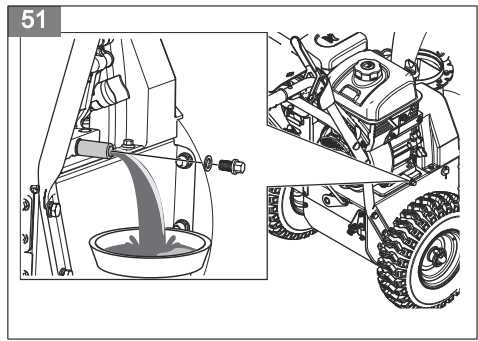
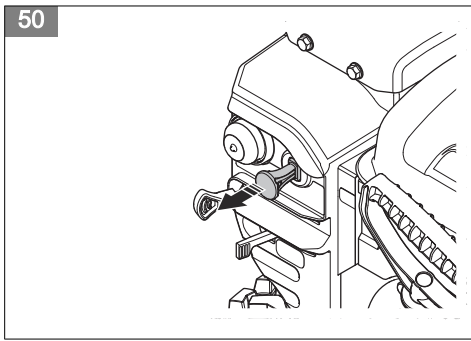
40



41







Contents

Introduction.....	7	Troubleshooting.....	17
Safety.....	8	Transportation, storage and disposal.....	19
Assembly.....	12	Technical data.....	20
Operation.....	13	Appendix	55
Maintenance.....	15		

Introduction

Product overview

(Fig. 1)

1. Auger engagement
2. Drive speed control lever
3. Control panel
4. Auger cable
5. Chute rotator control
6. Chute deflector
7. Clean-out tool
8. Auger housing
9. Augers
10. Skid plate
11. Tire
12. Oil fill
13. Engine
14. Lower handle
15. Drive speed control rod
16. Drive cable
17. Recoil start handle
18. Drive engagement
19. Handle grips
20. Primer
21. Choke
22. Fuel switch
23. On/off key
24. Operator's manual

Product description

The product is a snow thrower that is used to remove snow from the ground.

Intended use

This product can be used to remove snow from fields, roads, walkways and driveways. Do not use it on slopes that are greater than 15°. Do not use the product in areas where there is much debris, dirt and protruding stones.

Symbols on the product

Note: If the decals on the product are damaged, contact the distributor to replace them.

- | | |
|-----------|---|
| (Fig. 2) | Warning. |
| (Fig. 3) | Read the operator's manual. |
| (Fig. 4) | |
| (Fig. 5) | Hot surface. |
| (Fig. 6) | Risk of fire. |
| (Fig. 7) | Choke. |
| (Fig. 8) | Pull starter rope handle. |
| (Fig. 9) | Do not breathe in the exhaust fumes from the engine. |
| (Fig. 10) | Do not put any part of the body into the chute deflector or the auger housing when the augers rotate. |
| (Fig. 11) | Stop the engine before you remove snow from the chute deflector. Use the clean-out tool to remove snow, do not do it by hand. |
| (Fig. 12) | |
| (Fig. 11) | Keep hands away from the chute deflector. |
| (Fig. 13) | Objects can be ejected from the product. |
| (Fig. 14) | Keep bystanders away from the product when operating. |
| (Fig. 15) | Remove key before maintenance. |

- (Fig. 16) Push in the on/off key to the RUN position.
- (Fig. 17) Turn the fuel switch to the ON position.
- (Fig. 18) Push the primer.
- (Fig. 19) Risk of falling.
- (Fig. 20) Move slowly rearward.
- (Fig. 21) Use approved protective gloves.
- (Fig. 22) Use a protective helmet. Use approved hearing protection. Use approved eye protection.
- (Fig. 23) Noise emissions to the environment according to European Directive 2000/14/EC and New South Wales legislation "Protection of the Environment Operations (Noise Control) Regulation 2017". Noise emission data can be found on the machine label and in the Technical data chapter.

- (Fig. 24) This product is in accordance with applicable EC directives.
- (Fig. 25) This product conforms to applicable UK regulations.

Note: Other symbols/decals on the product refer to certification requirements for some markets.

Manufacturer

Husqvarna AB
Drottninggatan 2, SE-561 82 Huskvarna

Product damage

We are not responsible for damages to our product if:

- the product is incorrectly repaired.
- the product is repaired with parts that are not from the manufacturer or not approved by the manufacturer.
- the product has an accessory that is not from the manufacturer or not approved by the manufacturer.
- the product is not repaired at an approved service center or by an approved authority.

Safety

Safety definitions

The definitions below give the level of severity for each signal word.



WARNING: Injury to persons.



CAUTION: Damage to the product.

Note: This information makes the product easier to use.

Safe operation practices for pedestrian-controlled snow throwers

General

This machine is capable of amputating hands and feet and throwing objects. Failure to observe the following safety instructions could result in serious injury.

Training

- Read, understand and follow all instructions on the machine and in the manual(s) before operating this unit. Be thoroughly familiar with the controls and the

proper use of the machine. Know how to stop the unit and disengage the controls quickly.

- Never allow children to operate the machine. Never allow adults to operate the machine without proper instruction.
- Keep the area of operation clear of all persons, particularly small children.
- Exercise caution to avoid slipping or falling, especially when operating the machine in reverse.

Preparation

- Thoroughly inspect the area where the machine is to be used and remove all doormats, sleds, boards, wires and other foreign objects.
- Disengage all clutches and shift into neutral before starting the engine (motor).
- Do not operate the machine without wearing adequate winter garments. Avoid loose fitting clothing that can get caught in moving parts. Wear footwear that will improve footing on slippery surfaces.
- Always wear safety glasses or eye shields during operation or while performing an adjustment or repair to protect eyes from foreign objects that may be thrown from the machine.
- Handle fuel with care; it is highly flammable.
 - Use an approved fuel container.
 - Never add fuel to a running engine or hot engine.

- Fill fuel tank outdoors with extreme care. Never fill fuel tank indoors.
 - Never fill containers inside a vehicle or on a truck or trailer bed with a plastic liner. Always place containers on the ground, away from your vehicle, before filling.
 - When practical, remove gas-powered equipment from the truck or trailer and refuel it on the ground. If this is not possible, then refuel such equipment on a trailer with a portable container, rather than from a gasoline dispenser nozzle.
 - Keep the nozzle in contact with the rim of the fuel tank or container opening at all times, until refueling is complete. Do not use a nozzle lock-open device.
 - Replace gasoline cap securely and wipe up spilled fuel.
 - If fuel is spilled on clothing, change clothing immediately.
 - Use extension cords and receptacles as specified by the manufacturer for all units with electric starting motors.
 - Adjust the collector housing height to clear gravel or crushed rock surface.
 - Never attempt to make any adjustments while the engine (motor) is running (except when specifically recommended by manufacturer).
- Do not overload the machine capacity by attempting to clear snow at too fast a rate.
 - Never operate the machine at high transport speeds on slippery surfaces. Look behind and use care when operating in reverse.
 - Disengage power to the collector/impeller when the machine is transported or not in use.
 - Use only attachments and accessories approved by the manufacturer of the machine (such as wheel weights, counterweights or cabs).
 - Never operate the machine without good visibility or light. Always be sure of your footing, and keep a firm hold on the handles. Walk; never run.
 - Never touch a hot engine or muffler.

Clearing a clogged discharge chute

- Hand contact with the rotating impeller inside the discharge chute is the most common cause of injury associated with snow throwers. Never use your hand to clean out the discharge chute.
- To clear the chute:
 1. SHUT THE ENGINE OFF!
 2. Wait 10 s to be sure the impeller blades have stopped rotating.
 3. Always use a clean-out tool, not your hands.

Maintenance and storage

Operation

- Do not put hands or feet near or under rotating parts. Keep clear of the discharge opening at all times.
 - Exercise extreme caution when operating on or crossing gravel drives or walks. Stay alert for hidden hazards or operating near public roads.
 - After striking a foreign object, stop the engine (motor), remove the wire from the spark plug, disconnect the cord on electric motors, thoroughly inspect the snow thrower for any damage, and repair the damage before restarting and operating the snow thrower.
 - If the machine should start to vibrate abnormally, stop the engine (motor) and check immediately for the cause. Vibration is generally a warning of trouble.
 - Stop the engine (motor) whenever you leave the operating position, before unclogging the collector/impeller housing or discharge chute, and when making any repairs, adjustments or inspections.
 - Do not run the engine indoors, except when starting the engine and for transporting the snow thrower in or out of the building. Open the outside doors; exhaust fumes are dangerous.
 - Exercise extreme caution when operating on slopes.
 - Never operate the machine without proper guards and other safety protective devices in place and working.
 - Never direct the discharge toward people or areas where property damage can occur. Keep children and others away.
- Check shear bolts and other bolts at frequent intervals for proper tightness to be sure the equipment is in safe working condition.
 - Never store the machine with fuel in the fuel tank inside a building where ignition sources are present such as hot water heaters, space heaters or clothes dryers. Allow the engine to cool before storing in any enclosure.
 - Always refer to instruction handbook for important details if the snow thrower is to be stored for an extended period.
 - Maintain or replace safety labels, as necessary.
 - Run the machine a few minutes after throwing snow to prevent freeze up of the collector/impeller.
 - When cleaning, repairing or inspecting the snow thrower, stop the engine and make certain the collector/impeller and all moving parts have stopped. Disconnect the spark plug wire and keep the wire away from the plug to prevent someone from accidentally starting the engine.

General safety instructions

- Use the product correctly. Injury or death is a possible result of incorrect use. Only use the product for the tasks found in this manual. Do not use the product for other tasks.
- Obey the instructions in this manual. Obey the safety symbols and the safety instructions. If the operator does not obey the instructions and the symbols, injury, damage or death is a possible result.

- Do not discard this manual. Use the instructions to assemble, to operate and to keep your product in good condition. Use the instructions for correct installation of attachments and accessories. Only use approved attachments and accessories.
- Do not use a damaged product. Obey the maintenance schedule. Only do the maintenance work that you find an instruction about in this manual. An approved service center must do all other maintenance work.
- This manual cannot include all situations that can occur when you use the product. Be careful and use your common sense. Do not operate the product or do maintenance to the product if you are not sure about of the situation. Speak to a product expert, your dealer, service agent or approved service center for information.
- Disconnect the spark plug cable before you assemble the product, put the product into storage or do maintenance.
- Do not use the product if it is changed from its initial specification. Do not change a part of the product without approval from the manufacturer. Only use parts that are approved by the manufacturer. Injury or death is a possible result of incorrect maintenance.
- Do not breathe in the fumes from the engine. Long term inhalation of the engine's exhaust fumes is a health risk.
- Do not start the product indoors or near flammable material. The exhaust fumes are hot and can contain a spark which can start a fire. Not sufficient airflow can cause injury or death because of asphyxiation or carbon monoxide.
- When you use this product the engine makes an electromagnetic field. The electromagnetic field can cause damage to medical implants. Speak to your physician and medical implant manufacturer before you operate the product.
- Do not let a child operate the product. Do not let a person, without knowledge of the instructions operate the product.
- Make sure that you always monitor a person, with decreased physical capacity or mental capacity, that uses the product. A responsible adult must be there at all times.
- Lock the product in an area that children and unapproved persons cannot access.
- The product can eject objects and cause injuries. Obey the safety instructions to decrease the risk of injury or death.
- Do not go away from the product when the engine is on.
- The operator of the product is responsible if an accident occurs.
- Before and while you walk rearward, look behind and down for small children, animals or other risks that can cause you to fall.
- Make sure that parts are not damaged before you use the product.
- Make sure that you are at a minimum 15 m (50 ft) away from other persons or animals before you use the product. Make sure that a person in adjacent area knows that you will use the product.
- Refer to national or local laws. They can prevent or decrease the operation of the product in some conditions.

Training

- Read, understand and follow all instructions on the machine and in the manual(s) before operating this unit. Be thoroughly familiar with the controls and the proper use of the equipment. Know how to stop the unit and disengage the controls quickly.
- Never allow children to operate the equipment. Never allow adults to operate the equipment without proper instruction.
- Keep the area of operation clear of all persons, particularly small children.
- Exercise caution to avoid slipping or falling, especially when operating the snow thrower in reverse.

Safety instructions for operation

- Do not put hands or feet near or under rotating parts. Keep clear of the discharge opening at all times.
- Exercise extreme caution when operating on or crossing gravel drives, walks, or roads. Stay alert for hidden hazards or traffic.
- After striking a foreign object, stop the engine (motor), remove the wire from the spark plug, disconnect the cord on electric motors, thoroughly inspect the product for any damage, and repair the damage before restarting and operating the product.
- If the product starts to vibrate abnormally, stop the engine (motor) and check immediately for the cause. Vibration is generally a warning of trouble.
- Stop the engine (motor) whenever you leave the operating position, before unclogging the auger housing or chute deflector, and when making any repairs, adjustments or inspections.
- When cleaning, repairing or inspecting the product, stop the engine and make certain the augers and all moving parts have stopped. Disconnect the spark plug wire and keep the wire away from the plug to prevent someone from accidentally starting the engine.
- Do not run the engine indoors, except when starting the engine and for transporting the product in or out of the building. Open the outside doors; exhaust fumes are dangerous.
- Exercise extreme caution when operating on slopes.
- Never operate the product without proper guards, and other safety protective devices in place and working.

- Never direct the chute deflector toward people or areas where property damage can occur. Keep children and others away.
- Do not overload the product capacity by attempting to clear snow at too fast a rate.
- Never operate the product at high transport speeds on slippery surfaces. Look behind and use care when operating in reverse.
- Disengage power to the augers when the product is transported or not in use.
- Use only attachments and accessories approved by the manufacturer of the product (such as wheel weights, counterweights, or cabs).
- Never operate the product without good visibility or light. Always be sure of your footing, and keep a firm hold on the handles. Walk; never run.
- Never touch a hot engine or muffler.
- Never attempt to make any adjustments while the engine (motor) is running (except when specifically recommended by the manufacturer).
- Always wear safety glasses or eye shields during operation or while performing an adjustment or repair to protect eyes from foreign objects that may be thrown from the machine.

Personal protective equipment

Always use the correct personal protective equipment when you operate the product. This includes, at minimum, sturdy footwear, eye protection and hearing protection. Personal protective equipment does not erase the risk of injury but may decrease the grade of injury if an accident occurs.

- Always wear safety glasses or eye protection while you operate the product or do maintenance or repairs.
- Always wear appropriate winter garments when you operate the product.
- Always use heavy-duty slip-resistant boots with good ankle support while you operate the product.
- Do not wear loose fitting clothing that can get caught in moving parts.
- Use approved protective gloves, if necessary. For example, when attaching, examining or cleaning the blade.
- Always use approved ear protection while you operate the product. Noise for a long period can cause noise-induced hearing loss.

Work area safety

- Thoroughly inspect the area where the equipment is to be used and remove all doormats, sleds, boards, wires, and other foreign objects.
- Disengage all clutches and shift into neutral before starting the engine (motor).
- Do not operate the product without wearing adequate winter garments. Avoid loose fitting clothing that can get caught in moving parts. Wear footwear that will improve footing on slippery surfaces.
- Handle fuel with care; it is highly flammable.
 - Use an approved fuel container.
 - Never add fuel to a running engine or hot engine.
 - Fill fuel tank outdoors with extreme care. Never fill fuel tank indoors.
 - Never fill containers inside a vehicle or on a truck or trailer bed with a plastic liner. Always place containers on the ground, away from your vehicle, before filling.
 - When practical, remove gas-powered equipment from the truck or trailer and refuel it on the ground. If this is not possible, then refuel such equipment on a trailer with a portable container, rather than from a gasoline dispenser nozzle.
 - Keep the nozzle in contact with the rim of the fuel tank or container opening at all times, until refueling is complete. Do not use a nozzle lock-open device.
 - Replace gasoline cap securely and wipe up spilled fuel.
 - If fuel is spilled on clothing, change clothing immediately.
- Use extension cords and receptacles as specified by the manufacturer for all units with electric drive motors or electric starting motors.
- Adjust the auger housing height to clear gravel or crushed rock surface.

Safety devices on the product

- Make sure that you regularly do the maintenance to the product.
 - The life of the product increases.
 - The risk of accidents decreases.

Let an approved dealer or an approved service center regularly examine the product to do adjustments or repairs.

- Do not use a product with damaged protective equipment. If the product is damaged, speak to an approved service center.

Muffler

The muffler keeps the noise levels to a minimum and sends the exhaust fumes away from the operator.

Do not use the product if the muffler is missing or damaged. A damaged muffler increases the noise level and the risk of fire.



WARNING: The muffler becomes very hot during and after use and when the engine operates at idle speed. Be careful near flammable materials and/or fumes to prevent fire.

Fuel safety



WARNING: Read the warning instructions that follow before you use the product.

- Do not start the product if there is fuel or engine oil on the product. Remove the unwanted fuel/oil and let the product dry.
- If you spill fuel on your clothing, change clothing immediately.
- Do not get fuel on your body, it can cause injury. If you get fuel on your body, use soap and water to remove the fuel.
- Do not start the product if the engine has a leak. Examine the engine for leaks regularly.
- Be careful with fuel. Fuel is flammable and the fumes are explosive and can cause injuries or death.
- Do not breathe in the fuel fumes, it can cause injury. Make sure that there is a sufficient airflow.
- Do not smoke near the fuel or the engine.
- Do not put warm objects near the fuel or the engine.
- Do not add the fuel when the engine is on.
- Make sure that the engine is cool before you refuel.
- Before you refuel, open the fuel tank cap slowly and release the pressure carefully.
- Do not add fuel to the engine in an indoor area. Not sufficient airflow can cause injury or death because of asphyxiation or carbon monoxide.
- Tighten the fuel tank cap fully. If the fuel tank cap is not tightened, there is a risk of fire.
- Move the product a minimum of 3 m / 10 ft from the position where you filled the tank before a start.
- Do not fill the fuel tank fully. Heat causes the fuel to expand. Keep a space at the top of the fuel tank.

Chemical warning



WARNING: The engine exhaust from this product contains chemicals known to the State of California to cause cancer, birth defects and other reproductive harm. For more information go to www.P65Warnings.ca.gov.

Safety instructions for maintenance



WARNING: Read the warning instructions that follow before you use the product.

- The exhaust fumes from the engine contain carbon monoxide, an odorless, poisonous and very dangerous gas. Do not start the engine indoors or in closed spaces.
- Before you do the maintenance on the product, stop the engine and remove the ignition cable from the spark plug.
- Use protective gloves when you do maintenance on the blades. The blades are very sharp and cuts can easily occur.
- Accessories and changes to the product that are not approved by the manufacturer, can cause serious injury or death. Do not change the product. Always use accessories that are approved by the manufacturer.
- If the maintenance is not done correctly and regularly, the risk of injury and damage to the product increases.
- Only do the maintenance as given in this operator's manual. All other servicing must be done by an approved service agent.
- Let an approved service agent do servicing on the product regularly.
- Replace damaged, worn or broken parts.

Assembly



WARNING: Read and understand the safety chapter before you assemble the product.

To install the handles

1. Remove the 4 M8x25 flange bolts (A) from the case.
2. Use the 4 M8x25 flange bolts (A), the 4 spring spacers (B) and the 4 flat spacers (C).
3. Install the lower handle (D) into the 2 holes on each side of the case. (Fig. 26)
4. Use the 3 M8x50 handle lock bolts (A), the 3 spacers (B), the 3 handle knobs (C), and the 3 locking nuts (D).
5. Install the upper handle with the control panel (E) on the lower handle. (Fig. 27)

To assemble the chute deflector

1. Remove the rotator disk (B) and the 6 hexagon flange bolts (D) from the case.
2. Attach the rotator disk (B) and the chute deflector (A) onto the chute base using 3 limits blocks (C).
3. Use 6 hexagon flange bolts (D) and 6 locking nuts (E) to lock the limits blocks (C). (Fig. 28)

To assemble the chute rotator

1. Assemble the front end of the chute rotator.
2. Install the plastic bushing (B) to the front end of the chute rotator.
3. Attach the chute rotator with 1 flat spacer (A) and 1 hairpin (C). (Fig. 29)
4. Assemble rear end of the chute rotator.
5. Use 1 locking nut M8 (A), 1 plastic locking handle knob (B), 2 curve spacers (C) and 1 screw level (D) to assemble the chute rotator.
6. Use 1 hexagon nut M8 (E) to fix the chute rotator (F) into the holes of the handle. (Fig. 30)

To assemble the drive speed control rod

1. Install the long bent end of the drive speed control rod (A) to the control panel, and attach it with 1 connecting rod spring (B), 1 flat spacer (C) and 1 cotter pin (D). (Fig. 31)

2. Pull up the shift connecting plate (B) and install the short bent end of the drive speed control rod (A). Attach the drive speed control rod (A) with 1 flat spacer (C) and 1 cotter pin (D). (Fig. 32)
3. If necessary, extend the drive speed control rod. Loosen the locking nuts of the turn buckle and spin the turn buckle. Tighten the turn buckle back to its original location for proper speed control. The original location is marked on the threads. (Fig. 33)

To assemble the auger and driver cables

1. Remove the 2 cable screw bolts (B) from the cables (D).
2. Attach the 2 cable screw bolts (B) to the holes on the left and the right handles (A). (Fig. 34)
3. Attach the cables (D) to the cable screw bolts (B).
4. Connect and lock the left and the right cable thread insert (D) and the cable screw bolt (B) until the top of the brass lock nut (C) is aligned with the mark on the threads (E).
5. Lock the cable with the brass lock nut (C).

Operation



WARNING: Before you operate the product, carefully read and understand the safety chapter and the operation instructions.

Before you start the product

- Keep persons and animals away from the work area.
- Do daily maintenance. See *Maintenance schedule on page 15*.
- Make sure the ignition lead fits correctly on the spark plug.
- Add oil or gasoline, if necessary. See *To fill the engine with oil on page 13*.

To fill the engine with oil



CAUTION: Do not rotate the dipstick when you check the oil. Do not fill above the mark.

1. Remove the oil cap and clean the dipstick. See *Product overview on page 7* for the location of the dipstick.

2. Add oil to the top mark on the dipstick. Use the dipstick to do a check of the oil level at regular intervals.
3. Put the oil cap back.

To fill fuel

If available, use low-emission/alkylate gasoline. If low-emission/alkylate gasoline is not available, use good quality unleaded gasoline. Use gasoline with an octane number of 90 RON out of North America (87 (R+M)/2 in North America) or higher, and with a maximum of 10% ethanol (E10).



CAUTION: Do not use gasoline with an octane number less than 90 RON out of North America (87 (R+M)/2 in North America). This can cause damage to the product.

1. Open the fuel tank cap slowly to release the pressure.
2. Fill slowly with a fuel can. If you spill fuel, remove it with a cloth and let remaining fuel dry off.
3. Clean the area around the fuel tank cap.

4. Tighten the fuel tank cap fully. If the fuel tank cap is not tightened, there is a risk of fire.
5. Move the product a minimum of 3 m (10 ft) from the position where you filled the tank, before a start.

To adjust the chute deflector

The direction in which snow is to be thrown is controlled by the chute rotator control which is installed on the left side handle.

1. Rotate the chute rotator control to set the rotating direction of throwing snow.
2. Rotate the chute rotator control clockwise to throw snow rightwards.
3. Rotate the chute rotator control counter-clockwise to throw snow leftwards. (Fig. 35)
4. Move the angle deflector up or down to adjust the throwing distance of the snow. (Fig. 36)

To start the engine

1. Release the drive engagement. Put the drive speed control lever in the first position.
2. Turn the fuel switch to the ON position. (Fig. 37)
3. Turn the choke to the CLOSE position. (Fig. 38)
4. Push in the on/off key to the RUN position. (Fig. 39)
5. Push the primer 1-3 times to start the booster pump. Use the booster pump for cold start in low temperatures. (Fig. 40)
6. Pull the recoil start handle. (Fig. 41)



CAUTION: Do not release the recoil start handle quickly. Move it back to the start position slowly.

Note: If the recoil start handle has frozen, slowly pull out as much rope out of the starter as possible and release the recoil start handle. If the engine does not start, repeat the procedure or use the electrical starter.

7. Run the engine 30-40 seconds at idling speed before you start to throw snow.
8. When the engine is warm, slowly move the choke to the OPEN position. (Fig. 42)

To start the engine, electric start



WARNING: The product has a 120 Volt A.C. electric starter. Do not use the electric starter if your house is not a 120 Volt A.C. correctly grounded system. Serious personal injury or damage to the product could occur. The electric starter has a three-wire power plug, and is designed to use 120 Volt A.C. household current. Ensure that your house is a 120 Volt A.C. correctly grounded

system. If you are uncertain, consult a licensed electrician.

Note: Use an extension cord that is recommended for outdoor use, that has wire size not less than 16 AWG (1.5 mm²) and is not longer than 50 feet (15 m).

1. Release the drive engagement. Put the drive speed control lever in the first position.
2. Turn the fuel switch to the ON position. (Fig. 37)
3. Turn the choke to the CLOSE position. (Fig. 38)
4. Push in the on/off key to the RUN position. (Fig. 39)
5. Push the primer 1-3 times to start the booster pump. Use the booster pump for cold start in low temperatures. (Fig. 40)
6. Connect the product to power. (Fig. 43)
7. Press and hold the start button on the control box for 5 seconds. (Fig. 44)
8. If the engine does not start, wait 5 seconds, then push the start button again.



CAUTION: Do not try to start the engine more than 10 times. After 10 times, wait 40 minutes before you try again.

9. Disconnect the power cord from the product when the engine is started.
10. Run the engine 30-40 seconds at idling speed before you start to throw snow.
11. When the engine is warm, slowly move the choke to the OPEN position. (Fig. 42)

To operate the product

1. Squeeze the auger engagement to the handle to engage the auger and throw snow. (Fig. 45)
2. Move the drive speed control lever to the left to operate the product forward. Move the drive speed control lever to the right to operate the product rearward. (Fig. 46)
3. Operate the drive engagement with the right handle.
4. Squeeze the drive engagement to the handle to engage the drive wheels. The product moves forward or reverse depending on the location of the drive speed control lever. (Fig. 47)

To stop the product

Note: To turn the engine off in an emergency, pull out the on/off key.

1. Release the drive engagement to stop the drive wheels.
2. Release the auger engagement to disengage the auger and stop throwing snow. (Fig. 48)

3. Turn the fuel switch to the OFF position. (Fig. 49)
4. Pull out the on/off key. (Fig. 50)

To get a good result

- Always run the engine at full throttle or near full throttle.
- Always adapt the speed of the product to the snow situation and adjust the speed with the drive speed control lever. Make sure that the product throws snow evenly.
- It is easier and more efficient to remove snow immediately after it falls.
- Always throw snow downwind whenever possible.
- On flat surfaces, like asphalt roads, raise the skid plates up to 5-6 mm (0.2-0.25 in) off the ground.
- The scraper bar is reversible. When it becomes worn almost to the edge of the housing, reverse it. Replace the scraper bar if it is damaged, or if both sides are worn.
- Do not dispatch the chute deflector if it is clogged.
- If the product does not move forward due to unforeseen circumstances, release the drive engagement immediately or move the ON/OFF key to the "OFF" position.

Maintenance

Maintenance schedule

Maintenance	Daily	20 hours	50 hours	100 hours
Make sure that nuts and screws are tightened	X			
Do a check of the engine oil level	X			
Replace oil ¹		X	X	X
Make sure there are no fuel or oil leaks	X			
Remove clogging, foreign objects in auger	X			
Inspect the tire pressure ²			X	
Inspect and change the spark plug ³				X

Note: It is not necessary to add grease or to do other maintenance to the gearbox.

To do a general inspection

- Make sure that all nuts and screws on the product are tightened correctly.

To do a check of the oil level

1. Put the product on level ground.
2. Remove the oil tank cap with the attached dipstick.
3. Clean the oil from the dipstick.
4. Put the dipstick fully into the oil tank to give a correct picture of the oil level.
5. Remove the dipstick.
6. Examine the oil level on the dipstick.
7. If the oil level is low, fill with engine oil and do a check of the oil level again.



CAUTION: A too low oil level can do damage to the engine. Do a check of the oil level before you start the product.

¹ Replace the oil after the first 20 h, 50 h, 100 h and then every 100 h.

² See Technical data for correct tire pressure.

³ Check and clean spark plug before use each year.

To replace the engine oil

1. Run the engine a few minutes to make the oil warm. Warm oil flows better and carries more contaminants.



WARNING: The engine oil is hot. Avoid skin contact with the used engine oil.

2. Put the product on level ground.
3. Run the engine until all fuel has been depleted.
4. Remove the ignition key.
5. Put a container under the oil drain plug.
6. Remove the oil drain plug, tip the product backwards and drain the used oil in the container. (Fig. 51)
7. Put the product back to the operating position.
8. Fit the oil drain plug and tighten it securely by hand.
9. Fill the engine with oil, see *To fill the engine with oil on page 13*.

To examine the spark plug



CAUTION: Always use the recommended spark plug type. Incorrect spark plug type can cause damage to the product.

- Examine the spark plug if the engine is low on power, is not easy to start or does not operate correctly at idle speed.
- To decrease the risk of unwanted material on the spark plug electrodes, obey these instructions:
 - a) Make sure that the idle speed is correctly adjusted.
 - b) Make sure that the fuel type is correct.
 - c) Make sure that the air filter is clean.
- If the spark plug is dirty, clean it and make sure that the electrode gap is correct, refer to *Technical data on page 20*. (Fig. 52)
- Replace the spark plug if it is necessary.

To inspect the augers and the scraper bar

1. Before each use, inspect the augers and the scraper bar for wear.
2. If the edge of the scraper bar is worn, reverse the scraper bar. If the scraper bar has damages or is worn on both edges, replace it.
3. If the edges of the augers are worn, contact an authorized service center to replace them.

To adjust the skid plates

The skid plates prevent damage to the bottom of the snow thrower. Adjust the skid plates (A) when the

locknut (B) is loose, or the skid plate is not at the correct distance from the ground. No adjustment is necessary for standard installation.

1. Loosen the locknut (B) with a 13 mm (½ in.) open wrench.
2. Move the skid plates (A) up or down.
 - a) On flat surfaces set the distance between the scraper bar and the ground to 5-6 mm (0.2-0.25 in).
 - b) On rough surfaces set the skid plates (A) in a position where the scraper bar is above the top of the ground.



WARNING: Make sure that gravel and stones do not go into the product. Objects that eject at high speed can cause injury.

3. Tighten the locknut (B). (Fig. 53)

To replace the shear pin

The shear pin protects the product from damage. It breaks if a foreign object enters the moving parts.

1. If the shear pin breaks, stop the engine.
2. Attach a new shear pin (A) and a new clamp spring (B). (Fig. 54)

To examine the tires

- Keep the tires free of fuel, oil and chemicals to prevent damage to the rubber.
- Keep the tires away from stumps, stones, ruts, sharp objects and other objects which can cause damage to the tires.
- Keep the tire pressure correct, see *Technical data on page 20*.

To clear a clogged discharge chute deflector

Do not unclog the discharge chute deflector before the following operations are made.

1. Release the auger engagement and the drive engagement at the same time.
2. Wait 10 seconds to make sure that the augers have stopped.
3. Turn off the product.
4. Use the tool for cleaning (at least 37 cm (15 in.) long, included in some models) to remove the clog.



WARNING: Do not put your hands into the discharge chute deflector or inside the auger bucket.

To clean the product

- Clean plastic parts with a clean and dry cloth.

- Do not use a high pressure washer to clean the product.
- Do not flush water directly on the motor.
- Use a brush to remove leaves, grass and dirt.

Troubleshooting

Troubleshooting

Problem	Possible cause	Solution
The product does not start	The safety ignition key is not inserted.	Insert the safety ignition key.
	The product is out of fuel.	Fill the fuel tank with fresh, clean gasoline.
	The on/off key is OFF.	Move the on/off key to ON position.
	The choke is in OFF (CLOSE) position.	Move the choke to ON (FULL, OPEN) position.
	The primer is not depressed.	Press the primer.
	The engine is flooded.	Wait a few minutes before restarting, DO NOT prime. Restart the engine while full throttle and the choke in OFF (CLOSE) position.
	The spark plug wire is not connected.	Connect the wire to the spark plug.
	The spark plug is bad.	Replace the spark plug.
	There is water in the fuel or the fuel is too old.	Empty the fuel tank and carburetor. Fill the fuel tank with fresh, clean gasoline.
	There is vapor locked in the fuel line.	Make sure that all the fuel line is below the outlet of the fuel tank. The fuel line should run continuously down from fuel tank to carburetor.
	Other causes.	Inspect the starting procedures carefully in this manual.
	The fuel switch (if so equipped) is in CLOSE (OFF) position.	Turn the fuel switch to OPEN (ON) position.
	The throttle is in STOP position.	Move the throttle to FAST position.

Problem	Possible cause	Solution
Decreased power	The spark plug wire is not connected.	Connect the wire to the spark plug.
	The product throws too much snow.	Decrease the speed and the width of the swath.
	The fuel tank cap is covered with ice or snow.	Remove the ice and the snow on and around the fuel tank cap.
	The muffler is dirty or clogged.	Clean or replace the muffler.
	Improper cable length.	Adjust the cable.
	The muffler is blocked.	Make sure that the engine is cool. Clear the blockage.
	The air intake of the carburetor is blocked.	Make sure that the engine is cool. Clear the blockage.
The engine idles or runs roughly	The choke is in ON (FULL, OPEN) position.	Move the choke to OFF (CLOSE) position.
	The fuel line is blocked.	Clean the fuel line.
	There is water in the fuel or the fuel is too old.	Empty the fuel tank and carburetor. Fill the fuel tank with fresh, clean gasoline.
	The carburetor needs to be replaced.	Contact an authorized service center.
	The belt is stretched.	Replace the auger v-belt.
Excessive vibration / Handle movement	Some parts are loose. The augers are damaged.	Tighten all fasteners. Replace the damaged parts. If vibration remains, contact an authorized service center.
	The handles are not positioned correctly.	Make sure that the handles are locked into position.
	The adjustment lever nuts are loose.	Tighten the nuts until the handle feels safe.
The recoil start handle is hard to pull	The recoil start handle is frozen.	Slowly pull out as much rope out of the starter as possible and release the recoil start handle. If the engine does not start, repeat the procedure or use the electrical starter.
	The rope is interfering with components.	The recoil rope should not touch any wires or hoses.

Problem	Possible cause	Solution
Loss of traction drive/ slowing of drive speed	The belt slips.	Adjust the cable. Adjust the belt.
	The belt is worn.	Check / replace the belt.
Loss of snow discharge or slowing of snow discharge	The belt is off the pulley.	Check / reinstall the belt.
	The chute deflector is clogged.	Clean the chute deflector.
	Foreign objects clog the augers.	Remove the debris or the foreign object from the augers.
	The shear pin is broken.	Replace the broken shear pin.
	Excessive snow and ice build up in between track components.	Remove snow and ice build up from in between track components.
	The friction drive wheel is worn.	Contact an authorized service center.
Failure of auger rotation after the grip is released	The drive belt is not aligned.	Adjust the drive belt.
	The discharge deflector is not aligned.	Adjust the discharge deflector.
The lights are not on (if so equipped)	The engine is not running.	Start the engine.
	The wire connection is loose.	Check the wire connections at the engine and the lights.
	The LED is burnt out.	Replace the LED light module. Individual LEDs can not be replaced.
The chute rotator is difficult to move	There is debris in the chute rotator mechanism.	Clean the internal parts of the chute rotator mechanism.
	The cables are kinked or damaged.	Make sure that the cables are not kinked. Replace the cables that are damaged.
The product turns to one side	The tire pressure is not equal.	Adjust the tire pressure and fill the tire.
	The product drives with only one wheel.	Inspect the tire lock pin.
	Uneven sled adjustment.	Adjust the skid plates and the sledge.
	Uneven skid plates adjustment.	Adjust the skid plates and the sledge.

Transportation, storage and disposal

Transportation and storage

- For storage and transportation of the product and fuel, make sure that there are no leaks or fumes. Sparks or open flames, for example from electrical devices or boilers, can start a fire.
- Always use approved containers for storage and transportation of fuel.
- Empty the fuel tank before you put the product in storage for a long period of time.
- If the carburetor fuel bowl has a drain plug, empty the fuel from the carburetor before you put the product in storage for a long period of time.

- Safely attach the product during transportation to prevent damage and accidents.
- Keep the product in a locked area to prevent access for children or persons that are not approved.
- Keep the product in a dry and frost free area.

Disposal

- Obey the local requirements and applicable regulations.
- Discard all chemicals, for example engine oil or fuel, at a service center or at an applicable disposal location.

- Discard the product at an approved disposal location or send it to Husqvarna for disposal.

Technical data

Technical data

	ST 124
Dimensions	
Weight, with empty tanks, kg	76
Max. operating tire pressure, PSI	20
Intake height, cm	53.3
Working width, cm	61
Engine	
Brand	Husqvarna
Nominal engine output, kW	4.3
Displacement, cc	212
Fuel type	Unleaded regular (maximum 10% ethanol)
Fuel capacity, gal / l	0.58 / 2.2
Oil type (API SJ-SN)	SAE 5W30 (below 0°C (32°F))
Oil capacity fl. oz. / l	20 / 0.6
Electrical system	
Spark plug	F7RTC
Spark plug electrode gap (in. / mm)	0.027–0.031 / 0.7–0.8
Noise emissions ⁴	
Sound power level, measured dB(A)	100
Sound power level, guaranteed L _{WA} dB(A)	102
Sound levels ⁵	
Sound pressure level at the operators ear, measured L _{PA} dB(A)	86
Vibration levels, a_{hveq} ⁶	
Vibration level on the handle, left / right	4.15 / 4.08

⁴ Noise emissions in the environment measured as sound power (L_{WA}) in conformity with EC directives 2000/14/EC and 2005/88/EC. Reported data for noise emissions has a typical statistical dispersion (standard deviation) of 1.5 dB(A). Uncertainty=1.5 dB(A)

⁵ Noise pressure level according to EN ISO 11201. Reported data for noise pressure level has a typical statistical dispersion (standard deviation) of 1.5 dB(A). Uncertainty=1.5 dB(A)

⁶ Vibration level according to ISO 8437-4 Annex B. Uncertainty=1.5 m/s²

Contenido

Introducción.....	21	Solución de problemas.....	33
Seguridad.....	22	Transporte, almacenamiento y eliminación de residuos.....	35
Montaje.....	27	Datos técnicos.....	36
Funcionamiento.....	28	Anexo	55
Mantenimiento.....	30		

Introducción

Descripción general de la máquina

(Fig. 1)

1. Acoplamiento del barreno
2. Palanca de ajuste del régimen de velocidad
3. Panel de control
4. Cable del barreno
5. Control del rotador del conducto
6. Deflector del conducto
7. Herramienta de limpieza
8. Carcasa del barreno
9. Barrenos
10. Plancha protectora
11. Neumático
12. Llenado de aceite
13. Motor
14. Mango inferior
15. Varilla de ajuste del régimen de velocidad
16. Cable de transmisión
17. Empuñadura de arranque manual
18. Acoplamiento de la transmisión
19. Manillar
20. Cebador
21. Estrangulador
22. Interruptor de combustible
23. Tecla On/Off (Encendido/apagado)
24. Manual de usuario

Descripción de la máquina

El producto es una quitanieves utilizada para retirar la nieve del suelo.

Uso específico

Este producto puede utilizarse para retirar la nieve de campos, caminos, senderos y accesos. No lo utilice en pendientes superiores a 15°. No utilice el producto en áreas con muchos residuos, suciedad y piedras protuberantes.

Símbolos en el producto

Tenga en cuenta: Si las etiquetas del producto están dañadas, comuníquese con el distribuidor para sustituir las.

(Fig. 2) ¡Advertencia!

(Fig. 3) Lea el manual de instrucciones.

(Fig. 4)

(Fig. 5) Superficie caliente.

(Fig. 6) Riesgo de incendio.

(Fig. 7) Estrangulador.

(Fig. 8) Tire el mango de la cuerda de arranque.

(Fig. 9) No respire los gases de escape del motor.

(Fig. 10) No ponga ninguna parte del cuerpo en el deflector del conducto o en la carcasa del barreno cuando los barrenos se encuentren en movimiento.

(Fig. 11) Detenga el motor antes de quitar la nieve del deflector del conducto. Utilice la herramienta de limpieza para retirar la nieve, no lo haga manualmente.

(Fig. 12)

(Fig. 11) Mantenga las manos lejos del deflector del conducto.

(Fig. 13) Es posible que algunos objetos sean eyectados.

(Fig. 14) Mantenga a los transeúntes lejos del producto cuando esté en funcionamiento.

- (Fig. 15) Retire la llave antes del mantenimiento.
- (Fig. 16) Presione la tecla On/Off (Encendido/apagado) hasta acceder a la posición RUN (Marcha).
- (Fig. 17) Coloque el interruptor de combustible en la posición "ON".
- (Fig. 18) Presione el cebador.
- (Fig. 19) Riesgo de caídas.
- (Fig. 20) Muévase lentamente hacia atrás.
- (Fig. 21) Use guantes protectores homologados.
- (Fig. 22) Utilice un casco protector. Use protección auricular aprobada. Use protección ocular homologada.
- (Fig. 23) Emisiones sonoras en el medioambiente según la Directiva Europea 2000/14/EC y la legislación de Nueva Gales del Sur "Protection of the Environment Operations (Noise Control) Regulation 2017" (Normativa de protección del medioambiente (control de ruidos) de 2017). Los datos de emisiones sonoras

se pueden encontrar en la etiqueta de la máquina y en el capítulo Datos técnicos.

(Fig. 24) Este producto cumple con las directivas CE pertinentes.

(Fig. 25) Este producto cumple con las normativas correspondientes del Reino Unido.

Tenga en cuenta: Otros símbolos o etiquetas en el producto hacen referencia a requisitos de certificación para algunos mercados.

Fabricante

Husqvarna AB
Drottninggatan 2, SE-561 82 Huskvarna

Daños en el producto

No somos responsables de los daños a nuestro producto en los siguientes casos:

- el producto se repara incorrectamente
- el producto se repara con piezas que no son del fabricante o que este no autoriza
- el producto tiene un accesorio que no es del fabricante o que este no autoriza
- el producto no se repara en un centro de servicio autorizado o por una autoridad aprobada.

Seguridad

Definiciones de seguridad

Las siguientes definiciones proporcionan el nivel de gravedad de cada palabra clave.



ADVERTENCIA: Lesiones a personas.



AVISO: Daños en el producto.

Tenga en cuenta: Esta información hace que el producto sea más fácil de usar.

Prácticas de funcionamiento seguro para quitanieves controladas por peatones

Información general

Este producto puede amputar manos y pies, y arrojar objetos. El incumplimiento de las siguientes

instrucciones de seguridad puede ocasionar lesiones graves.

Capacitación

- Lea, comprenda y siga todas las instrucciones que aparecen en la máquina y en los manuales antes de operar esta unidad. Familiarícese completamente con los controles y el uso correcto de la máquina. Sepa cómo detener la unidad y desenganchar los controles con rapidez
- Nunca permita que los niños operen la máquina. Nunca permita que los adultos operen la máquina sin instrucciones adecuadas.
- Mantenga el área de trabajo despejada de personas, especialmente niños pequeños.
- Actúe con precaución para evitar resbalar o caer, en especial cuando utiliza la máquina en reversa.

Preparación

- Inspeccione minuciosamente el área en la que se va a utilizar la máquina y retire todos los tapetes, trineos, tablas, cables y otros objetos extraños.
- Desacople todos los embragues y ponga el cambio en neutro antes de arrancar el motor.
- No maneje la máquina sin usar la indumentaria de invierno adecuada. Evite usar ropa floja que

pueda quedar atrapada en las piezas móviles. Utilice calzado que mejore la postura en superficies resbaladizas.

- Siempre utilice gafas protectoras o protectores oculares durante el funcionamiento o cuando realice ajustes o reparaciones a fin de proteger los ojos de objetos extraños que puedan ser eyectados de la máquina.
- Manipule el combustible con cuidado; es altamente inflamable.
 - Use un recipiente de combustible aprobado.
 - Nunca agregue combustible a un motor en marcha o caliente.
 - Llene el depósito de combustible en el exterior, con máximo cuidado. Nunca llene el depósito de combustible en interiores
 - Nunca llene los recipientes de combustible dentro de un vehículo, en un camión o sobre la plataforma de un remolque con revestimiento plástico. Siempre coloque los recipientes en el suelo, alejados del vehículo, antes de rellenar.
 - Cuando sea posible, retire el equipo a gasolina del camión o tráiler y reabastézcalo en el suelo. Si no es posible, entonces reabastezca el equipo en un tráiler con un recipiente portátil, en lugar de hacerlo directamente con la boquilla del dispensador de gasolina.
 - Mantenga la boquilla en contacto con el borde del depósito o recipiente de combustible abriéndolo siempre hasta que el abastecimiento de combustible esté completo. No use un dispositivo que mantenga abierto el seguro de la boquilla.
 - Vuelva a colocar la tapa de la gasolina con seguridad y limpie todo el combustible que se haya derramado.
 - Si el combustible se derrama sobre la ropa, cámbiesela de inmediato.
- Utilice los cables de extensión y receptáculos especificados por el fabricante para todas las unidades con motores de arranque eléctrico.
- Ajuste la altura de la carcasa del colector para limpiar superficies rocosas o de grava.
- Nunca intente realizar ajustes con el motor en marcha (excepto si el fabricante lo recomienda específicamente).

Funcionamiento

- No ponga las manos ni los pies cerca o debajo de las piezas giratorias. Manténgase alejado de la abertura de descarga en todo momento.
- Tenga extremo cuidado cuando trabaje en caminos o pasos de grava o pase por ellos. Manténgase alerta ante peligros ocultos o cuando opere cerca de la vía pública.
- Después de golpear un objeto extraño, detenga el motor, desconecte el cable de la bujía, desconecte el hilo en los motores eléctricos, inspeccione atentamente el quitanieves para detectar daños y

repárelos antes de volver a encender y ocupar el quitanieves.

- Si la máquina empieza a vibrar de forma anormal, detenga el motor y revísela de inmediato para encontrar la causa. La vibración es generalmente una advertencia de problemas.
- Detenga el motor siempre que abandone la posición de operación, antes de destapar la carcasa del colector/propulsor o el conducto de expulsión, y cuando realice reparaciones, ajustes o inspecciones.
- No haga funcionar el motor en interiores, excepto cuando arranque el motor y transporte el quitanieves dentro o fuera del edificio. Abra las puertas externas; los gases de escape son peligrosos.
- Ponga extrema atención cuando trabaje en pendientes.
- Nunca opere la máquina sin las protecciones adecuadas ni otros dispositivos protectores de seguridad en su lugar y en funcionamiento.
- Nunca dirija el conducto de expulsión hacia las personas o hacia zonas en las que puedan ocurrir daños a la propiedad. Mantenga alejados a los niños y a otras personas.
- No sobrecargue la capacidad de la máquina intentando retirar nieve a una velocidad demasiado rápida.
- Nunca haga funcionar la máquina a una alta velocidad de transporte en superficies resbaladizas. Mire hacia atrás y tenga cuidado cuando retroceda.
- Desconecte la alimentación del colector/propulsor para transportar la máquina o cuando no esté en uso.
- Solo utilice los implementos y accesorios aprobados por el fabricante del producto (como pesos de las ruedas, contrapesos o cabinas).
- Nunca opere la máquina sin buena visibilidad o luz. Preste atención mientras camina y mantenga firmes las empuñaduras. Camine, nunca corra.
- Nunca toque un motor o silenciador calientes.

Eliminación de obstrucciones del conducto de expulsión

- El contacto manual con el propulsor giratorio dentro del conducto de expulsión es la causa más común de lesiones asociadas con los quitanieves. Nunca utilice la mano para limpiar el conducto de expulsión.
- Para despejar el conducto:
 1. APAGUE EL MOTOR.
 2. Espere 10 s para asegurarse de que las hojas del propulsor hayan dejado de girar.
 3. Siempre utilice una herramienta de limpieza, no las manos.

Mantenimiento y almacenamiento

- Revise los pernos de seguridad y otros pernos con regularidad para asegurarse de que el equipo esté en condiciones de trabajo seguras.
- Nunca guarde la máquina con combustible en el depósito de combustible en una edificación en la que existan fuentes de ignición, como calentadores

de agua, calentadores ambientales o secadoras de ropa. Permita que el motor se enfríe antes de guardar en cualquier lugar cerrado.

- Siempre consulte el manual de instrucciones para revisar los detalles importantes si el quitanieves se va a guardar durante un período prolongado.
- Conserve o cambie las etiquetas de seguridad según sea necesario.
- Haga funcionar la máquina unos minutos después de quitar nieve para evitar que se congele el colector/propulsor.
- Cuando realice la limpieza, reparación o inspección del quitanieves, detenga el motor y asegúrese de que el colector/propulsor y todas las piezas móviles se hayan detenido. Desconecte el cable de la bujía y manténgalo lejos de la bujía para evitar que alguien arranque el motor accidentalmente.

Instrucciones generales de seguridad

- Utilice el producto correctamente. Las lesiones graves o fatales son un posible resultado de un uso incorrecto. Solo utilice el producto para las tareas que aparecen en este manual. No utilice el producto para otras tareas.
- Obedezca las instrucciones contenidas en este manual. Obedezca los símbolos y las instrucciones de seguridad. Si el usuario no obedece las instrucciones y los símbolos, es posible que se produzcan daños y lesiones tanto graves como fatales.
- No deseche este manual. Utilice las instrucciones para montar, operar y mantener el producto en buen estado. Utilice las instrucciones para la correcta instalación de piezas y accesorios. Utilice solamente piezas y accesorios homologados.
- No use un producto dañado. Cumpla con el programa de mantenimiento. Realice solamente las tareas de mantenimiento en las que se detallan instrucciones en este manual. Un centro de servicio autorizado debe realizar todos los demás trabajos de mantenimiento.
- En este manual no se pueden abarcar todas las situaciones que pueden ocurrir cuando se utiliza el producto. Tenga cuidado y use el sentido común. No haga funcionar el producto ni realice mantenimientos si no está seguro acerca de la situación. Hable con un experto en el producto, su distribuidor, el agente de servicio o un centro de servicio autorizado para obtener más información.
- Desconecte el cable de la bujía antes de montar o almacenar el producto, o realizar tareas de mantenimiento.
- No utilice el producto si cambia su especificación inicial. No cambie una parte del producto sin la aprobación del fabricante. Utilice solamente las piezas que están aprobadas por el fabricante. Las lesiones graves o fatales son un posible resultado de un mantenimiento incorrecto.

- No respire los humos del motor. La inhalación prolongada de los gases de escape es un riesgo para la salud.
- No encienda el producto en interiores o cerca de materiales inflamables. Los gases de escape están muy calientes y pueden crear incendios debido a la creación de chispas. Un flujo de aire insuficiente puede causar lesiones graves o fatales por asfixia o debido al monóxido de carbono.
- Cuando utilice este producto, el motor crea un campo electromagnético. El campo electromagnético puede causar daños a implantes médicos. Hable con su médico y fabricante del implante antes de utilizar el producto.
- No deje que un niño utilice el producto. No permita que una persona que no conozca las instrucciones utilice el producto.
- Asegúrese de supervisar siempre a una persona con capacidades físicas o mentales limitadas que utilice el producto. Debe haber un adulto responsable en todo momento.
- Mantenga el producto en un área a la cual los niños y las personas no autorizadas no puedan acceder.
- El producto puede expulsar objetos y causar lesiones. Siga las instrucciones de seguridad para reducir el riesgo de lesiones graves o fatales.
- No se aleje del producto cuando el motor esté en marcha.
- El operador del producto es responsable en caso de un accidente.
- Antes de caminar hacia atrás y mientras lo hace, mire hacia atrás y hacia abajo para cerciorarse de que no haya niños pequeños, animales u otros riesgos que puedan provocar caídas.
- Asegúrese de que las piezas no estén dañadas antes de utilizar el producto.
- Asegúrese de estar al menos 15 m (50 pies) de distancia de otras personas o animales antes de utilizar el producto. Asegúrese de que una persona en el área adyacente sepa que utilizará el producto.
- Consulte las leyes locales o nacionales. Estas pueden evitar o disminuir el funcionamiento del producto en algunas condiciones.

Capacitación

- Lea, comprenda y siga todas las instrucciones que aparecen en la máquina y en los manuales antes de operar esta unidad. Familiarícese por completo con los controles y con el uso correcto del equipo. Sepa cómo detener la unidad y desenganchar los controles con rapidez.
- Nunca deje que los niños ocupen el equipo. Tampoco deje que los adultos ocupen el equipo sin instrucciones adecuadas.
- Mantenga el área de trabajo despejada de personas, especialmente niños pequeños.
- Tenga precaución para evitar resbalar o caer, en especial cuando utiliza el quitanieves en reversa.

Instrucciones de seguridad para el funcionamiento

- No ponga las manos ni los pies cerca o debajo de las piezas giratorias. Manténgase alejado de la abertura de descarga en todo momento.
- Tenga extremo cuidado cuando trabaje en caminos, pasos o accesos de grava o pase por ellos. Manténgase alerta para detectar riesgos ocultos o tránsito
- Después de golpear un objeto extraño, detenga el motor, desconecte el cable de la bujía o desconecte el hilo en los motores eléctricos. Inspeccione atentamente la máquina para detectar daños y repárelos antes de volver a encender y ocupar el producto.
- Si el equipo comienza a vibrar de manera anormal, detenga el motor y revise de inmediato para encontrar la causa. La vibración es generalmente una advertencia de problemas.
- Detenga el motor siempre que abandone la posición de operación, antes de destapar la carcasa del barreno o el deflector del conducto y también cuando realice reparaciones, ajustes o inspecciones.
- Cuando realice la limpieza, reparación o inspección del producto, detenga el motor y asegúrese de que los barrenos y todas las piezas móviles se detuvieron. Desconecte el cable de la bujía y manténgalo lejos de la bujía para evitar que alguien arranque el motor accidentalmente.
- No haga funcionar el motor en interiores, excepto cuando arranque el motor y para el transporte del producto dentro o fuera del edificio. Abra las puertas externas; los gases de escape son peligrosos.
- Ponga extrema atención cuando trabaje en pendientes.
- Nunca haga funcionar el producto sin las debidas protecciones ni los dispositivos protectores de seguridad en su lugar y en funcionamiento.
- Nunca dirija el deflector del conducto hacia las personas o hacia zonas donde puedan ocurrir daños a la propiedad. Mantenga alejados a los niños y a otras personas.
- No sobrecargue la capacidad del producto intentando retirar nieve a una velocidad demasiado rápida.
- Nunca haga funcionar el producto a una alta velocidad de transporte en superficies resbaladizas. Mire hacia atrás y tenga cuidado cuando retroceda.
- Desconecte la alimentación de los barrenos para transportar el producto o cuando no esté en uso.
- Utilice solamente los implementos y accesorios homologados por el fabricante del producto, por ejemplo, los pesos de las ruedas, contrapesos o cabinas.
- Nunca haga funcionar el producto sin buena visibilidad o luz. Preste atención mientras camina y mantenga firmes las empuñaduras. Camine, nunca corra.

- Nunca toque un motor o silenciador calientes.

Seguridad en el área de trabajo

- Inspeccione atentamente el área donde se va a utilizar el equipo y retire todos los tapetes, trineos, tablas, cables y otros objetos extraños.
- Desacople todos los embragues y ponga el cambio en neutro antes de arrancar el motor.
- No maneje el producto sin usar la indumentaria de invierno adecuada. Evite usar ropa floja que pueda quedar atrapada en las piezas móviles. Utilice calzado que mejore la postura en superficies resbaladizas.
- Manipule el combustible con cuidado; es altamente inflamable.
 - Use un recipiente de combustible aprobado.
 - Nunca agregue combustible a un motor en marcha o caliente.
 - Llene el depósito de combustible en el exterior, con máximo cuidado. Nunca llene el depósito de combustible en interiores
 - Nunca llene los recipientes de combustible dentro de un vehículo, en un camión o sobre la plataforma de un remolque con revestimiento plástico. Siempre coloque los recipientes en el suelo, alejados del vehículo, antes de rellenar.
 - Cuando sea posible, retire el equipo a gasolina del camión o tráiler y reabastézcalo en el suelo. Si no es posible, entonces reabastezca el equipo en un tráiler con un recipiente portátil, en lugar de hacerlo directamente con la boquilla del dispensador de gasolina.
 - Mantenga la boquilla en contacto con el borde del depósito o recipiente de combustible abriéndolo siempre hasta que el abastecimiento de combustible esté completo. No use un dispositivo que mantenga abierto el seguro de la boquilla.
 - Vuelva a colocar la tapa de la gasolina con seguridad y limpie todo el combustible que se haya derramado.
 - Si el combustible se derrama sobre la ropa, cámbiesela de inmediato.
- Utilice los cables de extensión y receptáculos especificados por el fabricante para todas las unidades con motores de transmisión eléctrica o de arranque eléctrico.
- Ajuste la altura de la carcasa del barreno para limpiar superficies rocosas o de grava.
- Nunca intente realizar ajustes con el motor en marcha, excepto si el fabricante lo recomienda específicamente.
- Siempre utilice gafas protectoras o protectores oculares durante el funcionamiento o cuando realice ajustes o reparaciones a fin de proteger los ojos de objetos extraños que puedan ser eyectados de la máquina.

Equipo de protección personal

Utilice siempre el equipo de protección personal adecuado cuando use el producto. Esto incluye, como mínimo, calzado resistente, protección ocular y protectores auriculares. El equipo de protección personal no elimina el riesgo de lesiones, pero puede disminuir el grado de las lesiones en caso de accidente.

- Siempre use gafas de seguridad o protección ocular cuando opere el producto o realice tareas de mantenimiento o reparación.
- Utilice siempre indumentaria de invierno adecuada cuando opere el producto.
- Utilice siempre botas antideslizantes de servicio pesado con buen soporte de tobillo durante el funcionamiento del producto.
- No utilice ropa floja que pueda quedar atrapada en las piezas móviles.
- Utilice guantes protectores homologados, si es necesario. Por ejemplo, al instalar, examinar o limpiar la cuchilla.
- Use siempre protectores auriculares autorizados cuando utilice el producto. Escuchar ruidos durante un largo período puede provocar pérdida de audición inducida por el ruido.

Dispositivos de seguridad en el producto

- Asegúrese de realizar el mantenimiento del producto frecuentemente.
 - Esto aumenta la vida útil del producto.
 - Disminuye el riesgo de accidentes.

Permita que un concesionario autorizado o un centro de servicio autorizado examinen frecuentemente el producto para realizar ajustes o reparaciones.

- No use un producto con equipo de protección dañado. Si el producto está dañado, comuníquese con un centro de servicio autorizado.

Silenciador

El silenciador mantiene los niveles de ruido al mínimo y envía los gases de escape lejos del operador.

No utilice el producto si el silenciador no está instalado o está dañado. Un silenciador dañado aumenta el nivel de ruido y el riesgo de incendio.



ADVERTENCIA: El silenciador se calienta mucho durante y después del uso y cuando el motor funciona en régimen de ralentí. Tenga cuidado cerca de materiales o vapores inflamables para prevenir incendios.

Seguridad de combustible



ADVERTENCIA: Lea atentamente las instrucciones de advertencia siguientes antes de usar el producto.

- No arranque el producto si hay combustible o aceite de motor en el producto. Quite el combustible o aceite no deseado y deje secar el producto.
- Si derrama combustible en su ropa, cámbiese la ropa inmediatamente.
- No permita que le caiga combustible en el cuerpo, ya que puede causar lesiones. Si le cae combustible en el cuerpo, utilice jabón y agua para quitarlo.
- No arranque el producto si el motor tiene una fuga. Examine frecuentemente el motor en busca de fugas.
- Tenga cuidado con el combustible. El combustible es inflamable y los gases son explosivos y pueden causar lesiones graves o fatales.
- No respire los gases del combustible, ya que pueden causar lesiones. Asegúrese de que haya suficiente flujo de aire.
- No fume cerca del combustible o del motor.
- No coloque objetos calientes cerca del combustible o del motor.
- No agregue combustible cuando el motor esté en marcha.
- Asegúrese de que el motor se enfríe antes de llenar el depósito de combustible.
- Antes de llenar el depósito de combustible, abra lentamente la tapa del depósito de combustible y libere la presión con cuidado.
- No agregue combustible al motor en un área interior. Un flujo de aire insuficiente puede causar lesiones graves o fatales por asfixia o debido al monóxido de carbono.
- Apriete bien la tapa del depósito de combustible. Si no aprieta la tapa del depósito de combustible, se genera un riesgo de incendio.
- Mueva el producto a un mínimo de 3 m/10 pies de la posición en la que llenó el depósito antes de ponerlo en marcha.
- No llene el depósito de combustible completamente. El calor provoca que el combustible se expanda. Deje espacio en la parte superior del depósito de combustible.

Advertencia sobre productos químicos



ADVERTENCIA: Los gases de escape del motor de este producto contienen sustancias químicas que en el estado de California se conocen como causantes de cáncer, defectos de nacimiento u otros daños reproductivos. Para obtener más información, visite www.P65Warnings.ca.gov.

Instrucciones de seguridad para el mantenimiento



ADVERTENCIA: Lea atentamente las instrucciones de advertencia siguientes antes de usar el producto.

- Los gases de escape del motor contienen monóxido de carbono, un gas inodoro, tóxico y muy peligroso. No arranque el motor en interiores o en espacios cerrados.
- Antes de realizar el mantenimiento del producto, detenga el motor y quite el cable de encendido de la bujía.
- Utilice guantes protectores cuando realice las tareas de mantenimiento en las cuchillas. Las cuchillas son muy afiladas y pueden producir cortes con facilidad.

- Accesorios y modificaciones en el producto que no estén aprobados por el fabricante pueden causar lesiones graves o la muerte. No modifique el producto. Siempre utilice accesorios aprobados por el fabricante.
- Si el mantenimiento no se realiza de manera correcta y regular, aumenta el riesgo de sufrir lesiones y causar daños en el producto.
- Solo realice tareas de mantenimiento como se indica en el presente manual del usuario. Todas las demás tareas de mantenimiento se deben realizar en un taller de servicio aprobado.
- Procure realizar las tareas de mantenimiento con regularidad en un taller de servicio aprobado.
- Cambie las piezas dañadas, desgastadas o rotas.

Montaje



ADVERTENCIA: Asegúrese de leer y comprender el capítulo de seguridad antes de montar el producto.

Para instalar las empuñaduras:

1. Retire los cuatro pernos para brida de M8 x 25 (A) de la caja.
2. Utilice los cuatro pernos para brida de M8 x 25 (A), los cuatro separadores de resorte (B) y los cuatro separadores planos (C).
3. Instale el manillar inferior (D) en los dos orificios a cada lado de la caja. (Fig. 26)
4. Utilice los tres pernos de M8 x 50 de fijación del manillar (A), los tres separadores (B), las tres perillas del manillar (C) y las tres contratuercas (D).
5. Instale el manillar superior con el panel de control (E) en el manillar inferior. (Fig. 27)

Para montar el deflector del conducto:

1. Retire el disco de rotación (B) y los seis pernos para brida de cabeza hexagonal (D) de la caja.
2. Coloque el disco de rotación (B) y el deflector del conducto (A) en la base del conducto con las tres trabas de tope (C).
3. Utilice los seis pernos para brida de cabeza hexagonal (D) y las seis contratuercas (E) para fijar las trabas de tope (C). (Fig. 28)

Para montar el rotador del conducto:

1. Monte el extremo delantero del rotador del conducto.
2. Instale el buje de plástico (B) en el extremo delantero del rotador del conducto.
3. Coloque el rotador del conducto con un separador plano (A) y una horquilla (C). (Fig. 29)

4. Monte el extremo trasero del rotador del conducto.
5. Utilice una contratuerca M8 (A), una perilla de traba plástica para el manillar (B), dos separadores curvos (C) y un nivelador de tornillos (D) para montar el rotador del conducto.
6. Utilice una tuerca hexagonal M8 (E) para fijar el rotador del conducto (F) en los orificios del manillar. (Fig. 30)

Para montar la varilla de ajuste del régimen de velocidad:

1. Instale el extremo curvado largo de la varilla de ajuste del régimen de velocidad (A) en el panel de control y fijela con el resorte de una biela (B), un separador plano (C) y una chaveta hendida (D). (Fig. 31)
2. Tire hacia arriba la placa de conexión de cambio (B) e instale el extremo doblado corto de la varilla de ajuste del régimen de velocidad (A). Instale la varilla de ajuste del régimen de velocidad (A) con un separador plano (C) y una chaveta hendida (D). (Fig. 32)
3. Si es necesario, extienda la varilla de ajuste del régimen de velocidad. Afloje las contratuercas del tensor y gírelo. Apriete el tensor nuevamente según su ubicación original para generar un control de velocidad adecuado. La ubicación original está marcada en las rosas. (Fig. 33)

Para montar el barreno y los cables de transmisión:

1. Saque los dos pernos atornillados (B) para cables (D).
2. Coloque los dos pernos atornillados para cables (B) en los agujeros en los manillares del lado izquierdo y derecho (A). (Fig. 34)

- Coloque los cables (D) en los pernos atornillados para cables (B).
- Conecte y trabe las entradas para insertar cables de la izquierda y la derecha (D) y el perno atornillado para cable (B) hasta que la parte superior de la contratuerca de latón (C) se encuentre alineada con la marca de las roscas (E).

- Trabe el cable con la contratuerca de latón (C).

Funcionamiento



ADVERTENCIA: Antes de operar el producto, lea cuidadosamente y comprenda el capítulo sobre seguridad y las instrucciones de operación.

Antes de arrancar el producto

- Mantenga a las personas y animales alejados de la zona de trabajo.
- Realice un mantenimiento diario. Consulte *Programa de mantenimiento en la página 30*.
- Asegúrese de que el cable de encendido se ajuste correctamente a la bujía.
- Agregue aceite o gasolina, si es necesario. Consulte *Para llenar el motor con aceite: en la página 28*.

Para llenar el motor con aceite:



AVISO: No gire la varilla de nivel cuando revise el aceite. No llene por encima de la marca.

- Retire el tapón de aceite y limpie la varilla. Consulte *Descripción general de la máquina en la página 21* para ver la ubicación de la varilla de nivel.
- Llene con aceite hasta la marca superior de la varilla de nivel. Utilice la varilla de nivel para examinar el nivel de aceite en intervalos regulares.
- Vuelva a colocar el tapón del aceite.

Para abastecer de combustible

Si es posible, utilice gasolina de bajas emisiones/alquilato. Si no dispone de gasolina de bajas emisiones/alquilato, utilice gasolinasin plomo de buena calidad. Utilice gasolina con un octanaje de 90 RON fuera de Norteamérica (87 (R+M)/2 en Norteamérica) o más, y con un máximo de 10 % de etanol (E10).



AVISO: No utilice gasolina con un octanaje inferior a 90 RON fuera de Norteamérica (87 (R+M)/2 en Norteamérica). Esto puede provocar daños al producto.

- Abra lentamente la tapa del depósito de combustible para liberar la presión.

- Llene lentamente con un bidón de combustible. Si derrama combustible, límpielo con un paño y deje que se sequen los restos.
- Limpie el área alrededor del tapón del depósito de combustible.
- Apriete bien la tapa del depósito de combustible. Si no aprieta la tapa del depósito de combustible, se genera un riesgo de incendio.
- Mueva el producto a un mínimo de 3 m (10 pies) de la posición en la que llenó el depósito antes de ponerlo en marcha.

Para ajustar el deflector del conducto:

La dirección en que la nieve se quita se controla mediante el control del rotador del conducto instalado en el manillar del lado izquierdo.

- Gire el control del rotador del conducto para ajustar la dirección de rotación de la proyección de la nieve.
- Gire el control del rotador del conducto a la derecha para proyectar la nieve a la derecha.
- Gire el control del rotador del conducto a la izquierda para proyectar la nieve a la izquierda. (Fig. 35)
- Mueva el ángulo del deflector hacia arriba o hacia abajo para ajustar la distancia de proyección de la nieve. (Fig. 36)

Para arrancar el motor:

- Libere el acoplamiento de la transmisión. Coloque la palanca de ajuste del régimen de velocidad en la primera posición.
- Coloque el interruptor de combustible en la posición ON (Encendido). (Fig. 37)
- Coloque la opción de estrangulamiento en la posición CLOSE (Cerrada). (Fig. 38)
- Presione la tecla On/Off (Encendido/apagado) hasta acceder a la posición RUN (Marcha). (Fig. 39)
- Presione el cebador entre 1 y 3 veces para arrancar la bomba de refuerzo. Utilice la bomba de refuerzo para arrancar en frío en bajas temperaturas. (Fig. 40)
- Tire de la empuñadura de arranque manual. (Fig. 41)



AVISO: No suelte la empuñadura de arranque manual en forma rápida. Vuelva a colocarla en la posición de arranque lentamente.

Tenga en cuenta: Si la empuñadura de arranque manual se congeló, tire lentamente hacia afuera la mayor cantidad de cordón del mecanismo posible y suelte la empuñadura de arranque manual. Si el motor no arranca, repita el procedimiento o utilice el mecanismo de arranque eléctrico.

7. Haga funcionar el motor entre 30 y 40 segundos en ralentí antes de comenzar a quitar la nieve.
8. Si el motor está caliente, mueva lentamente la opción de estrangulamiento a la posición OPEN (Abierto). (Fig. 42)

Para arrancar el motor con arranque eléctrico



ADVERTENCIA: El producto tiene un arranque eléctrico de corriente alterna de 120 voltios. No utilice el arranque eléctrico si su hogar no cuenta con un sistema de corriente alterna de 120 voltios con una conexión a tierra adecuada. Pueden producirse daños personales graves o daños al producto. El arranque eléctrico consta de un enchufe de tres espigas, y está diseñado para el uso con corriente de uso doméstico de corriente alterna de 120 voltios. Asegúrese de que su hogar cuenta con un sistema de corriente alterna de 120 voltios con una conexión a tierra adecuada. Si tiene dudas, consulte a un electricista autorizado.

Tenga en cuenta: Utilice un cable de extensión recomendado para su uso en exteriores, que tenga un tamaño de cable no inferior a 16 AWG (1,5 mm²) ni superior a 50 ft (15 m).

1. Libere el acoplamiento de la transmisión. Coloque la palanca de ajuste del régimen de velocidad en la primera posición.
2. Coloque el interruptor de combustible en la posición "ON". (Fig. 37)
3. Coloque la opción de estrangulamiento en la posición CLOSE (Cerrada). (Fig. 38)
4. Presione la tecla On/Off (Encendido/apagado) hasta acceder a la posición RUN (Marcha). (Fig. 39)
5. Presione el cebador entre 1 y 3 veces para arrancar la bomba de refuerzo. Utilice la bomba de refuerzo para arrancar en frío en bajas temperaturas. (Fig. 40)

6. Conecte el producto a la alimentación eléctrica. (Fig. 43)
7. Mantenga presionado el botón de arranque de la caja de control durante 5 segundos. (Fig. 44)
8. Si el motor no arranca, espere 5 segundos y vuelva a presionar el botón de arranque.



AVISO: No intente poner en marcha el motor más de 10 veces. Después de 10 veces, espere 40 minutos antes de volver a intentarlo.

9. Desconecte el cable de alimentación del producto cuando arranque el motor.
10. Haga funcionar el motor entre 30 y 40 segundos en ralentí antes de comenzar a quitar la nieve.
11. Si el motor está caliente, mueva lentamente la opción de estrangulamiento a la posición OPEN (Abierto). (Fig. 42)

Para hacer funcionar el producto

1. Mantenga apretado el acoplamiento del barreno del manillar para acoplar el barreno y quitar la nieve. (Fig. 45)
2. Mueva la palanca de ajuste del régimen de velocidad a la izquierda para hacer funcionar el producto hacia delante. Mueva la palanca de ajuste del régimen de velocidad a la derecha para hacer funcionar el producto hacia atrás. (Fig. 46)
3. Opere el acoplamiento de la transmisión con el manillar derecho.
4. Mantenga apretado el acoplamiento de la transmisión hacia el manillar para acoplar las ruedas motrices. El producto se mueve hacia delante o hacia atrás según la ubicación de la palanca de ajuste del régimen de velocidad. (Fig. 47)

Para detener la máquina

Tenga en cuenta: Para apagar el motor en caso de emergencia, presione la tecla On/Off (Encendido/apagado).

1. Suelte el acoplamiento de la transmisión para detener las ruedas motrices.
2. Suelte el acoplamiento del barreno para desacoplarlo y detener el lanzamiento de nieve. (Fig. 48)
3. Coloque el interruptor de combustible en la posición OFF (Apagado). (Fig. 49)
4. Presione la tecla On/Off (Encendido/apagado). (Fig. 50)

Para conseguir un buen resultado

- Siempre haga funcionar el motor en aceleración máxima o cerca de la aceleración máxima.

- Adapte siempre la velocidad del producto a la situación de la nieve. Ajuste la velocidad con la palanca de ajuste del régimen de velocidad. Asegúrese de que el producto lance la nieve de manera uniforme.
- Es más fácil y eficiente retirar la nieve inmediatamente después de que cae.
- Siempre que sea posible, arroje la nieve en la dirección del viento.
- En superficies planas, como caminos asfaltados, levante las planchas protectoras entre 5 y 6 mm (0,2 y 0,25") desde el suelo.
- La espada del raspador es reversible. Cuando se desgasta casi hasta el borde de la carcasa, úsela por el otro lado. Reemplace la espada del raspador si está dañada o si ambos lados están desgastados.
- No despache el deflector del conducto si está obstruido.
- Si el producto no avanza debido a circunstancias imprevistas, suelte el acoplamiento de la transmisión inmediatamente o mueva la llave de encendido/apagado (ON/OFF) a la posición de apagado (OFF).

Mantenimiento

Programa de mantenimiento

Mantenimiento	Diario	20 horas	50 horas	100 horas
Asegúrese de que las tuercas y los tornillos estén apretados	X			
Compruebe el nivel de aceite del motor	X			
Cambio del aceite ⁷		X	X	X
Asegúrese de que no haya fugas de combustible o aceite	X			
Retire la suciedad u otros objetos extraños del barreno	X			
Revise la presión de los neumáticos ⁸			X	
Inspeccione y cambie la bujía ⁹				X

Tenga en cuenta: No es necesario agregar grasa o realizar otras tareas de mantenimiento en caja de cambios.

Para hacer una inspección general

- Asegúrese de que todas las tuercas y los tornillos del producto estén apretados de forma adecuada.

Para comprobar el nivel de aceite



AVISO: Un nivel de aceite demasiado bajo puede dañar el motor. Revise el nivel de aceite antes de utilizar el producto.

1. Coloque el producto en un terreno plano.
2. Retire el tapón del depósito de aceite junto con la varilla de nivel incluida.
3. Limpie el aceite de la varilla de nivel.

⁷ Cambie el aceite después de las primeras 20 h, 50 h y 100 h, y luego cada 100 h.

⁸ Consulte Datos técnicos para conocer la presión correcta de los neumáticos.

⁹ Revise y limpie la bujía antes de utilizarla cada año.

4. Vuelva a colocar la varilla de nivel completa en el depósito de aceite para tener una idea correcta del nivel de aceite.
5. Quitó la varilla de nivel.
6. Examine el nivel de aceite con la varilla de nivel.
7. Si el nivel de aceite es bajo, llene con aceite de motor y revise nuevamente.

Para cambiar el aceite del motor:

1. Haga funcionar el motor durante unos minutos para entibiar el aceite. El aceite tibio fluye mejor y transporta menos contaminantes.



ADVERTENCIA: El aceite del motor está caliente. Evite que el aceite de motor usado entre en contacto con la piel.

2. Coloque el producto en un terreno plano.
3. Haga funcionar el motor hasta que todo el combustible se haya agotado.
4. Retire la llave de contacto.
5. Coloque un recipiente debajo del tapón de vaciado de aceite.
6. Quite el tapón de vaciado de aceite, la punta del producto hacia atrás y drene el aceite utilizado en el recipiente. (Fig. 51)
7. Vuelva a poner el producto en la posición de funcionamiento.
8. Coloque el tapón de vaciado de aceite y apriételo firmemente con la mano.
9. Llene el motor con aceite; consulte *Para llenar el motor con aceite: en la página 28* para obtener más información.

Para examinar la bujía



AVISO: Utilice siempre el tipo de bujía recomendada. El tipo de bujía incorrecto puede causar daños en el producto.

- Examine la bujía si el motor tiene una potencia demasiado baja, no arranca fácilmente o no funciona correctamente al régimen de ralentí.
- Para disminuir el riesgo de material no deseado en los electrodos de la bujía, siga estas instrucciones:
 - a) Asegúrese de que el régimen de ralentí esté ajustado correctamente.
 - b) Asegúrese de que el tipo de combustible es el correcto.
 - c) Asegúrese de que el filtro de aire esté limpio.
- Si la bujía está sucia, límpiela y asegúrese de que la distancia entre los electrodos sea la correcta, consulte *Datos técnicos en la página 36*. (Fig. 52)
- Reemplace la bujía si es necesario.

Para inspeccionar los barrenos y la espada del raspador:

1. Antes de cada uso, inspeccione los barrenos y la espada del raspador para ver si muestras signos de desgaste.
2. Si el borde de la espada del raspador está desgastado, úsela por el otro lado. Si la espada del raspador tiene daños o desgaste en ambos bordes, reemplácela.
3. Si los bordes de los barrenos están desgastados, comuníquese con un centro de servicio autorizado para reemplazarlos.

Para ajustar las planchas protectoras:

Las placas protectoras previenen los daños en la parte inferior de la quitanieves. Ajuste las placas protectoras (A) cuando la contratuerca (B) se afloje, o cuando las placas protectoras no se encuentren en la distancia correcta desde el suelo. No es necesario realizar ajustes en el caso de una instalación normal.

1. Afloje la contratuerca (B) con una llave mixta de 13 mm (½ pulg.).
2. Mueva las placas protectoras (A) hacia arriba o hacia abajo.
 - a) En superficies planas, establezca la distancia entre la espada del raspador y el suelo en entre 5 a 6 mm (0,2 a 0,25 pulg.).
 - b) En superficies irregulares, establezca las placas protectoras (A) en una posición donde la espada del raspador esté por encima de la superficie del suelo.



ADVERTENCIA: Asegúrese de que no entren piedras o grava al producto. Los objetos que se expulsan a alta velocidad pueden causar lesiones.

3. Apriete la contratuerca (B). (Fig. 53)

Para reemplazar el pasador fusible:

El pasador fusible protege el producto de posibles daños. Puede romperse si un objeto extraño ingresa en las piezas móviles.

1. Si el pasador fusible se rompe, detenga el motor.
2. Instale un nuevo pasador fusible (A) y un nuevo resorte para la abrazadera (B). (Fig. 54)

Para examinar los neumáticos

- Mantenga los neumáticos libres de combustible, aceite y productos químicos para evitar dañar el caucho.
- Mantenga los neumáticos alejados de tocones, piedras, baches, objetos filosos y otros objetos que puedan dañarlos.

- Mantenga la presión de los neumáticos correcta; consulte *Datos técnicos en la página 36* para obtener más información.

Eliminación de obstrucciones del deflector del conducto de expulsión:

No elimine la obstrucción del deflector del conducto de expulsión sin haber realizado las siguientes operaciones:

1. Libere el acoplamiento del barreno y de la transmisión al mismo tiempo.
2. Espere 10 segundos para asegurarse de que los barrenos se detuvieron.
3. Apague el producto.
4. Utilice la herramienta de limpieza (de al menos 37 cm [15"] de longitud, que se incluye en algunos modelos) para eliminar la obstrucción.



ADVERTENCIA: No ponga las manos en el deflector del conducto de expulsión o en la tolva sinfín.

Para limpiar el producto

- Limpie las piezas de plástico con un paño limpio y seco.
- No use limpiadores de alta presión para limpiar el producto.
- No arroje agua directamente sobre el motor.
- Utilice un cepillo para retirar las hojas, el césped y la suciedad.

Solución de problemas

Solución de problemas

Problema	Causa posible	Solución
El producto no arranca	La llave de encendido de seguridad no se encuentra inserta.	Inserte la llave de encendido de seguridad.
	El producto no tiene combustible.	Llene el depósito de combustible con gasolina nueva y limpia.
	La tecla On/Off (Encendido/apagado) está en OFF (Apagado).	Mueva la tecla On/Off (Encendido/apagado) a la posición ON (Encendido).
	El estrangulador se encuentra en la posición OFF (CLOSE) (Apagado [Cerrado]).	Mueva el estrangulador a la posición ON (FULL, OPEN) (Encendido [Máximo, Abierto]).
	El cebador no se encuentra presionado.	Presione el cebador.
	El motor está inundado.	Espere unos minutos antes de volver a arrancar, NO presione el cebador. Vuelva a arrancar el motor con la aceleración máxima y el estrangulador en la posición OFF (CLOSE) (Apagado [Cerrado]).
	El cable de la bujía no está conectado.	Conecte el cable a la bujía.
	La bujía está defectuosa.	Reemplace la bujía.
	Hay agua en el combustible o el combustible es demasiado antiguo.	Vacíe el depósito de combustible y el carburador. Llene el depósito de combustible con gasolina nueva y limpia.
	Hay vapor en la tubería de combustible.	Asegúrese de que toda la tubería de combustible esté por debajo de la salida del depósito de combustible. La tubería de combustible debe fluir de forma continua hacia abajo desde el depósito de combustible hasta el carburador.
	Otras causas.	Inspeccione con cuidado los procedimientos de arranque de este manual.
	El interruptor de combustible (si está equipado) está en la posición CLOSE (OFF) (Cerrado [Apagado]).	Coloque el interruptor de combustible en la posición OPEN (ON) (Abierto [Encendido]).
El acelerador está en la posición STOP (Detención).	Mueva el acelerador hasta la posición FAST (Rápido).	

Problema	Causa posible	Solución
Potencia reducida	El cable de la bujía no está conectado.	Conecte el cable a la bujía.
	El producto lanza demasiada nieve.	Disminuya la velocidad y el ancho de la hilera.
	La tapa del depósito de combustible está cubierta de hielo o nieve.	Retire el hielo y la nieve del tapón del depósito de combustible y alrededor de él.
	El silenciador está sucio u obstruido.	Limpie o reemplace el silenciador.
	Longitud incorrecta del cable.	Ajuste el cable.
	El silenciador está obstruido.	Asegúrese de que el motor esté frío. Limpie la obstrucción.
	La toma de aire del carburador está obstruida.	Asegúrese de que el motor esté frío. Limpie la obstrucción.
El motor funciona en ralentí o de forma irregular	El estrangulador está en la posición ON (FULL, OPEN) (Encendido [Máximo, Abierto]).	Ponga el estrangulador en la posición de OFF (CLOSE) (Apagado [Cerrado]).
	La tubería de combustible está obstruida.	Limpie la tubería de combustible.
	Hay agua en el combustible o el combustible es demasiado antiguo.	Vacíe el depósito de combustible y el carburador. Llène el depósito de combustible con gasolina nueva y limpia.
	Se debe reemplazar el carburador.	Comuníquese con un centro de servicio autorizado.
	La correa se encuentra estirada.	Reemplace la correa en V del barreno.
Movimiento del manillar o vibración excesiva	Algunas piezas están sueltas. Los barrenos están dañados.	Apriete todas las sujeciones. Reemplace todas las piezas dañadas. Si la vibración persiste, comuníquese con un centro de servicio autorizado.
	Los manillares no están colocados de manera correcta.	Asegúrese de que los manillares estén trabados en su posición.
	Las tuercas de la palanca de ajuste están sueltas.	Apriete las tuercas hasta que el manillar se sienta firme.
Cuesta extraer la empuñadura de arranque manual.	La empuñadura de arranque manual está congelada.	Tire lentamente hacia afuera la mayor cantidad de cordón del mecanismo posible y suelte la empuñadura de arranque manual. Si el motor no arranca, repita el procedimiento o utilice el mecanismo de arranque eléctrico.
	El cordón interfiere en los componentes.	El cordón retráctil no debe tocar ningún cable o manguera.

Problema	Causa posible	Solución
Pérdida de tracción o ralentización de la velocidad de transmisión.	La correa patina.	Ajuste el cable. Ajuste la correa.
	La correa está desgastada.	Revise o reemplace la correa.
Pérdida o ralentización de la descarga de nieve.	La correa se salió de la polea.	Revise o vuelva a instalar la correa.
	El deflector del conducto está obstruido.	Limpie el deflector del conducto.
	Objetos extraños obstruyen los barrenos.	Retire la suciedad o los objetos extraños de los barrenos.
	El pasador fusible está roto.	Reemplace el pasador fusible roto.
	Exceso de hielo y nieve acumulados entre los componentes de la vía.	Retire el hielo y nieve acumulados entre los componentes de la vía.
	La rueda motriz de fricción está desgastada.	Comuníquese con un centro de servicio autorizado.
Falla en la rotación del barrenado después de soltar la empuñadura.	La correa de transmisión no está alineada.	Ajuste la correa de transmisión.
	El deflector de descarga no está alineado.	Ajuste el deflector de descarga.
Las luces no están encendidas (si están equipadas)	El motor no está en marcha.	Arranque el motor.
	La conexión de cables está suelta.	Compruebe las conexiones de los cables del motor y las luces.
	El LED está quemado.	Reemplace el módulo de luz LED. Los LED individuales no se pueden reemplazar.
Es difícil mover el rotador del conducto	Hay suciedad en el mecanismo del rotador del conducto.	Limpie las piezas internas del mecanismo del rotador del conducto.
	Los cables están torcidos o dañados.	Asegúrese de que los cables no estén torcidos. Reemplace los cables dañados.
El producto se gira hacia un lado.	La presión de los neumáticos no es igual.	Ajuste la presión de los neumáticos y llene los neumáticos.
	El producto se mueve con una sola rueda.	Inspeccione el pasador de bloqueo de los neumáticos.
	Ajuste del trineo irregular.	Ajuste las planchas protectoras y el trineo.
	Planchas protectoras con ajuste no uniforme.	Ajuste las planchas protectoras y el trineo.

Transporte, almacenamiento y eliminación de residuos

Transporte y almacenamiento

- Para el almacenamiento y el transporte del producto y del combustible, asegúrese de que no haya fugas o vapores. Las chispas o llamas, por ejemplo, de dispositivos eléctricos o calderas, pueden iniciar un incendio.
- Siempre use contenedores aprobados para el almacenamiento y el transporte del combustible.
- Vacíe el depósito de combustible antes de almacenar el producto durante un largo tiempo.
- Si el recipiente de combustible del carburador tiene un tapón de vaciado, vacíe el combustible del carburador antes de colocar el producto en almacenamiento durante un largo período.

- Asegure bien el producto durante el transporte para evitar daños y accidentes.
- Mantenga el producto en un área cerrada para evitar que los niños u otras personas sin autorización puedan acceder a él.
- Mantenga el producto en un lugar seco y sin escarcha.
- Deseche todos los productos químicos, como el combustible o el aceite del motor, en un centro de servicio o en un sitio adecuado para tal propósito.
- Deseche el producto en un lugar aprobado o enviado a Husqvarna para su eliminación.

Eliminación

- Respete las normas locales y las reglas aplicables.

Datos técnicos

Datos técnicos

	ST 124
Dimensiones	
Peso con tanques vacíos, kg	76
Presión de funcionamiento máxima de los neumáticos, psi	20
Altura de admisión, cm	53,3
Ancho de trabajo, cm	61
Motor	
Marca	Husqvarna
Potencia normal del motor, kW	4,3
Cilindrada, cc	212
Tipo de combustible	Regular sin plomo (con un máximo de un 10 % de etanol)
Capacidad de combustible, gal / L	0,58 / 2,2
Tipo de aceite (API SJ-SN)	SAE 5W30 (inferior a 0 °C [32 °F])
Capacidad de aceite fl. oz. / L	20 / 0,6
Sistema eléctrico	
Bujía	F7RTC
Distancia entre los electrodos de la bujía (pulg. / mm)	0,027-0,031 / 0,7-0,8
Emisiones sonoras ¹⁰	
Nivel de potencia acústica, medido en dB(A)	100
Nivel de potencia acústica, L _{WA} dB(A) garantizada	102

¹⁰ Las emisiones sonoras en el medioambiente medidas como potencia acústica (L_{WA}) en conformidad con la directiva CE 2000/14/CE y 2005/88/CE. Los datos informados sobre emisiones sonoras tienen una dispersión estadística típica (desviación estándar) de 1,5 dB(A). Incertidumbre=1,5 dB(A)

	ST 124
Niveles sonoros ¹¹	
Nivel de presión sonora en el oído del operador, medido en L _{PA} dB(A)	86
Niveles de vibración, a_{hveq} ¹²	
Nivel de vibración en el mango, izquierda / derecha	4,15 / 4,08

¹¹ Nivel de presión sonora según EN ISO 11201. Los datos informados en cuanto al nivel de presión sonora tienen una dispersión estadística típica (desviación estándar) de 1,5 dB(A). Incertidumbre=1,5 dB(A)

¹² Nivel de vibración según la norma ISO 8437-4 Anexo B. Incertidumbre=1,5 m/s²

Table des matières

Introduction.....	38	Dépannage.....	50
Sécurité.....	39	Transport, entreposage et mise au rebut.....	52
Montage.....	44	Données techniques.....	53
Fonctionnement.....	45	Annexe.....	55
Entretien.....	47		

Introduction

Présentation de la machine

(Fig. 1)

1. Engagement de tarière
2. Levier de commande de vitesse de l'entraînement
3. Panneau de commande
4. Câble de tarière
5. Rotateur de goulotte
6. Déflecteur de goulotte
7. Outil de nettoyage
8. Carter de tarière
9. Tarière
10. Plaque de protection
11. Pneu
12. Remplissage d'huile
13. Moteur
14. Poignée inférieure
15. Tige de commande de vitesse de l'entraînement
16. Câble d'entraînement
17. Poignée du lanceur
18. Engagement de l'entraînement
19. Poignées
20. Poire d'amorçage
21. Volet de départ
22. Commutateur de carburant
23. Interrupteur On/Off (marche/arrêt)
24. Manuel de l'opérateur

Description de l'outil

Le produit est une fraise à neige pour déblayer la neige du sol.

Utilisation prévue

Cet appareil peut être utilisé pour retirer la neige des champs, des routes, des allées et des trottoirs. Ne pas l'utiliser sur les pentes supérieures à 15°. Ne pas utiliser ce produit dans des zones où il y a beaucoup de débris, de saleté et de pierres qui dépassent.

Symboles figurant sur le produit

Remarque : Si les autocollants sur le produit sont endommagés, communiquer avec le concessionnaire pour les remplacer.

- (Fig. 2) Avertissement.
- (Fig. 3) Lisez le manuel d'utilisation.
- (Fig. 4)
- (Fig. 5) Surface chaude.
- (Fig. 6) Risque d'incendie.
- (Fig. 7) Volet de départ.
- (Fig. 8) Tirez la poignée du câble du démarreur.
- (Fig. 9) Ne pas inhaler les vapeurs d'échappement du moteur.
- (Fig. 10) Ne placez aucune partie du corps dans le déflecteur de goulotte ou dans le carter de vis sans fin lorsque les vis sans fin tournent.
- (Fig. 11) Arrêtez le moteur avant de retirer la neige du déflecteur de goulotte. Utilisez l'outil de nettoyage pour retirer la neige ; ne le faites pas à la main.
- (Fig. 12)
- (Fig. 11) Garder les mains à l'écart du déflecteur de goulotte.
- (Fig. 13) Des objets peuvent être éjectés du produit.

- (Fig. 14) Ne laissez personne s'approcher du produit pendant son utilisation.
- (Fig. 15) Déposez la clé avant l'entretien.
- (Fig. 16) Appuyez sur la clé marche/arrêt pour la placer en position RUN (marche).
- (Fig. 17) Placez l'interrupteur de carburant en position ON (marche).
- (Fig. 18) Poussez l'amorceur.
- (Fig. 19) Risque de chute.
- (Fig. 20) Déplacez-vous lentement vers l'arrière.
- (Fig. 21) Utiliser des gants de protection homologués.
- (Fig. 22) Utilisez un casque de protection. Utilisez des protège-oreilles homologués. Utilisez un dispositif de protection homologué pour les yeux.
- (Fig. 23) Émissions sonores dans l'environnement selon la directive européenne 2000/14/CE et la loi de la Nouvelle-Galles du Sud « Protection of the Environment Operations (Noise Control) Regulation 2017 » (protection relative aux opérations dans l'environnement (contrôle du bruit)). L'étiquette de la machine et le chapitre Caractéristiques techniques contiennent des données sur les émissions sonores.
- (Fig. 24) Ce produit est conforme aux normes CE applicables.
- (Fig. 25) Ce produit est conforme aux directives en vigueur au Royaume-Uni.

Remarque : Les autres symboles/autocollants présents sur le produit concernent des exigences de certification spécifiques à certains marchés.

Fabricant

Husqvarna AB
Drottninggatan 2, SE-561 82 Huskvarna

Produit endommagé

Nous ne sommes pas responsables des dommages causés à notre produit si :

- Le produit n'est pas réparé de façon adéquate.
- Le produit est réparé avec des pièces qui ne sont pas fournies ou homologuées par le fabricant.
- Le produit comprend un accessoire qui n'est pas fourni ou homologué par le fabricant.
- Le produit n'est pas réparé par un centre de service après-vente agréé ou par une autorité homologuée.

Sécurité

Définitions relatives à la sécurité

Les définitions ci-dessous indiquent le niveau de gravité pour chaque mot signal.



AVERTISSEMENT : Blessures aux personnes.



MISE EN GARDE : Dommages causés à l'outil.

Remarque : Cette information facilite l'utilisation de l'outil.

Procédures d'utilisation sûres pour les fraises à neige à pousser

Généralités

Cette machine peut trancher les mains et les pieds et projeter des objets. Le non-respect des consignes

de sécurité suivantes peut entraîner de très graves blessures.

Formation

- Lisez et respectez toutes les instructions apposées sur la machine et énoncées dans le(s) manuel(s) avant d'utiliser la machine. Il est indispensable de bien se familiariser avec la machine et ses commandes avant de l'utiliser. Sachez arrêter l'appareil et désengager les commandes rapidement
- N'autorisez jamais des enfants à utiliser la machine. Ne laissez jamais des adultes utiliser cette machine s'ils n'ont pas préalablement reçu les instructions pertinentes.
- Ne pas laisser les personnes situées à proximité s'approcher de la zone de travail, en particulier les jeunes enfants.
- Veillez à ne pas glisser ni trébucher, particulièrement lorsque vous utilisez la machine en marche arrière.

Préparation

- Inspectez attentivement la zone de travail avant d'utiliser la machine. Retirez les paillasons, planches, fils et autres corps étrangers.

- Désengager tous les embrayages et mettre au point mort avant de démarrer le moteur.
- N'utilisez pas la machine sans porter de vêtements d'hiver adéquats. Évitez de porter des vêtements amples susceptibles de se prendre dans les organes mobiles. Passez des chaussures assurant une bonne adhérence sur les surfaces glissantes
- Portez toujours des lunettes ou un masque de protection pour les yeux pendant l'utilisation de la machine ou lorsque vous effectuez un réglage ou une réparation, de sorte à protéger vos yeux en cas de projection de corps étrangers.
- Manipuler l'essence avec précaution, car elle est hautement inflammable.
 - Utiliser des récipients de carburant approuvés.
 - Ne jamais faire l'appoint en essence lorsque le moteur est en marche ou chaud.
 - Remplir le réservoir de carburant à l'extérieur avec une extrême prudence. Ne remplissez jamais le réservoir à l'intérieur
 - Ne remplissez jamais le bidon à l'intérieur d'un véhicule ou sur un camion ou une remorque avec une bâche en plastique. Avant de le remplir, placez toujours le récipient sur le sol, loin de votre véhicule.
 - Dans la mesure du possible, descendez le matériel du camion ou de la remorque et faites l'appoint à même le sol. En cas d'impossibilité, faites l'appoint sur la remorque à l'aide d'un récipient portable et non à l'aide d'un pistolet à essence.
 - Gardez le pistolet en permanence en contact avec le bord du réservoir à essence ou du récipient, jusqu'à la fin de l'appoint. Ne pas utiliser de dispositif à ouverture bloquée du pistolet distributeur.
 - Remettez le bouchon du réservoir bien en place et essuyez les traces d'essence.
 - En cas de déversement de carburant sur les vêtements, changer immédiatement de vêtement.
- Pour les machines à moteur de démarrage électrique, utilisez des rallonges et des prises conformes à celles spécifiées par le fabricant.
- Ajustez la hauteur du carter du collecteur avant de dégager une surface avec du gravier ou des cailloux.
- N'essayez jamais de procéder à des réglages pendant que le moteur tourne (sauf si cette pratique est recommandée par le fabricant).
- Si vous percutez un corps étranger, arrêtez le moteur, retirez le câble de la bougie, débranchez le câble (moteur électrique) et inspectez attentivement la fraise à neige pour vous assurer de l'absence de dégâts. En cas de dommages, réparez-les avant de redémarrer et de réutiliser la fraise à neige.
- Si la machine commence à vibrer de façon anormale, arrêtez le moteur et cherchez-en immédiatement la cause. Les vibrations indiquent généralement l'existence de problèmes.
- Arrêtez le moteur chaque fois que vous quittez la position de travail, avant de débloquer le carter du collecteur/de la turbine ou la goulotte d'éjection, et lorsque vous effectuez un réglage, une réparation ou une inspection de la machine.
- Ne mettez pas le moteur en marche à l'intérieur, sauf lors du démarrage du moteur et pour sortir ou rentrer la fraise à neige dans le bâtiment. Ouvrir les portes; les gaz d'échappement du moteur sont dangereux.
- Faire preuve d'extrême prudence lorsqu'on travaille dans les pentes.
- N'utilisez jamais la machine si les protections et les dispositifs de sécurité ne sont pas en place et en état de marche.
- N'orientez jamais la goulotte d'éjection vers des personnes ou vers des endroits où les éventuelles projections pourraient causer des dégâts. Tenir les enfants et autres personnes à l'écart.
- Ne surchargez pas la capacité de la machine en essayant de déblayer la neige à trop grande vitesse.
- N'utilisez jamais la machine à une vitesse élevée sur des surfaces glissantes. Lorsque vous reculez, regardez derrière vous et déplacez-vous lentement.
- Coupez l'alimentation du collecteur/de la turbine lorsque vous transportez la machine ou que vous ne l'utilisez pas.
- N'utilisez que les équipements et accessoires approuvés par le fabricant de la machine (ex. : masses de roues, contrepoids ou cabines).
- N'utilisez jamais cette machine en cas de mauvaise visibilité ou luminosité. Gardez les pieds toujours bien daplomb sur le sol et maintenez la poignée avec fermeté. Toujours marcher; ne jamais courir.
- Ne touchez jamais le moteur ou le silencieux quand il est chaud.

Déblocage d'une goulotte d'éjection obstruée

- Le contact des mains avec la turbine en rotation à l'intérieur de la goulotte d'éjection est la cause de blessure la plus courante associée aux fraises à neige. Ne nettoyez jamais la goulotte d'éjection avec vos mains.
- Pour débloquer la goulotte :
 1. COUPEZ LE MOTEUR.
 2. Attendez 10 secondes le temps que les lames de la turbine cessent de tourner.
 3. Utilisez toujours un outil de nettoyage, pas vos mains.

Fonctionnement

- Ne placez pas vos mains ou vos pieds à proximité ou sous les organes mobiles. Restez toujours éloigné de l'ouverture de l'éjecteur.
- Faites preuve d'une extrême prudence lorsque vous utilisez la machine sur des allées ou des chemins de graviers. Soyez prêt à tout danger éventuel, tout particulièrement lors de l'utilisation à proximité de la voie publique.

Entretien et remisage

- Vérifiez régulièrement que les boulons de cisaillement et autres boulons ne sont pas desserrés pour vous assurer que l'équipement peut être utilisé sans danger.
- Ne remisez jamais la machine avec du carburant dans le réservoir à l'intérieur d'un bâtiment où se trouvent des sources d'ignition telles que des chauffe-eau, des radiateurs ou des sèche-linge. Laissez refroidir le moteur avant de ranger la machine dans un local.
- Consultez toujours le manuel d'instructions pour connaître les informations importantes lorsque la fraise à neige doit être remise pendant une période prolongée.
- Conservez les étiquettes de sécurité en bon état et remplacez-les si nécessaire.
- Faites tourner la machine pendant quelques minutes après avoir éjecté de la neige pour éviter que le collecteur/la turbine ne gèle.
- Avant de nettoyer, réparer ou inspecter la fraise à neige, arrêtez le moteur et vérifiez que le collecteur/la turbine ainsi que toutes les pièces mobiles se sont immobilisées. Débranchez le câble des bougies et tenez-le éloigné des bougies afin d'éviter tout démarrage accidentel du moteur.

Consignes générales de sécurité

- Utiliser l'outil correctement. Des blessures graves ou mortelles peuvent résulter d'une utilisation non adéquate. Utiliser l'outil seulement pour les tâches décrites dans le présent manuel. Ne pas utiliser cet outil pour d'autres tâches.
- Suivre les instructions de ce manuel. Respecter les symboles et les instructions de sécurité. Si l'opérateur ne respecte pas les instructions et les symboles, il pourrait en résulter des blessures, des dommages ou la mort.
- Ne pas jeter ce manuel. Utiliser les instructions pour assembler l'outil, le faire fonctionner et le conserver en bon état. Suivre les instructions pour l'installation correcte des équipements et accessoires. Utiliser uniquement des pièces et accessoires homologués.
- Ne pas utiliser l'outil s'il est endommagé. Respecter le calendrier d'entretien. N'effectuer que les travaux d'entretien prescrits dans ce manuel. Un centre agréé doit effectuer tous les autres travaux d'entretien.
- Ce manuel ne décrit pas toutes les situations qui peuvent se produire lorsqu'on utilise l'outil. Rester prudent et faire preuve de bon sens. Ne pas faire fonctionner l'outil ni effectuer un entretien sur l'outil si vous n'êtes pas sûr de la situation. Pour obtenir plus d'information, s'adresser à un spécialiste de l'outil, à votre revendeur, à un atelier de réparation ou à un centre de service après-vente agréé.
- Débrancher le câble d'allumage avant d'installer, de stocker ou de procéder à l'entretien de l'outil.
- Ne pas utiliser l'outil si des modifications contraires à ses caractéristiques initiales y ont été apportées. Ne pas modifier une partie de l'outil sans l'approbation du fabricant. Utiliser seulement des pièces homologuées par le fabricant. Des blessures graves ou mortelles peuvent résulter d'un entretien non adéquat.
- Ne pas respirer les vapeurs du moteur. L'inhalation à long terme des produits d'échappement du moteur représente un danger pour la santé.
- Ne pas démarrer l'outil dans un local clos ou à proximité de matériaux inflammables. Les gaz d'échappement sont très chauds et peuvent contenir des étincelles qui peuvent causer un incendie. Un débit d'air insuffisant peut entraîner des blessures ou la mort en raison d'une asphyxie ou du monoxyde de carbone.
- Lors de l'utilisation de ce produit, le moteur génère un champ électromagnétique. Le champ électromagnétique peut endommager les implants médicaux. Parler à votre médecin et au fabricant de l'implant avant d'utiliser l'outil.
- Ne pas laisser un enfant utiliser l'outil. Ne pas laisser une personne utiliser le produit sans connaître les instructions.
- S'assurer de toujours surveiller les personnes avec des capacités physiques ou mentales réduites qui utilisent le produit. Un adulte responsable doit être présent à tout moment.
- Enfermer le produit dans un endroit verrouillé auquel les enfants et les personnes non autorisées ne peuvent pas accéder.
- Le produit peut projeter des objets et causer des blessures. Respecter les consignes de sécurité afin de réduire le risque de blessures graves ou mortelles.
- Ne pas s'éloigner de l'outil lorsque le moteur est sous tension.
- Tout accident avec cet outil engage la responsabilité de l'opérateur.
- Avant de reculer, regarder derrière et vers le bas pour vérifier la présence éventuelle de petits enfants, d'animaux ou autres risques de chute.
- Avant d'utiliser l'outil, vérifier que les pièces ne sont pas endommagées.
- S'assurer d'être à au moins 15 m (50 pi) d'autres personnes ou d'animaux avant d'utiliser le produit. S'assurer que toutes les personnes dans les environs immédiats sont informées que vous allez utiliser le produit.
- Consulter les lois nationales ou locales. Elles peuvent interdire ou limiter l'utilisation de l'outil dans certaines conditions.

Formation

- Lire toutes les instructions des manuels et celles sur la machine avant d'utiliser la machine. Bien connaître les commandes et l'utilisation appropriée

de l'équipement. Savoir arrêter la machine et débrayer rapidement les commandes.

- Ne jamais laisser un enfant manœuvrer la machine. Ne jamais laisser des adultes utiliser cet équipement sans avoir reçu les instructions pertinentes.
- Ne pas laisser les personnes situées à proximité s'approcher de la zone de travail, en particulier les jeunes enfants.
- Faites attention à ne pas glisser ou trébucher lorsque vous utilisez la souffleuse à neige en marche arrière.

- Désengager l'alimentation des tarières lorsque le produit est en cours de transport quand il n'est pas en cours d'utilisation.
- Utiliser les appareils et accessoires approuvés par le fabricant du produit (tels que les poids de roue, contrepoids ou cabine).
- Ne jamais utiliser le produit sans une bonne visibilité ou lumière. Garder les pieds toujours bien d'aplomb sur le sol et tenir la poignée avec fermeté. Toujours marcher; ne jamais courir.
- Ne jamais toucher le moteur ou le silencieux quand il est chaud.

Consignes de sécurité pour l'utilisation

- Ne pas placer les mains ou les pieds près ou sous les pièces en rotation. Toujours se tenir à l'écart de l'ouverture d'éjection.
- Faire preuve d'extrême prudence à proximité des routes, des allées ou des chemins en gravier. Faire attention aux dangers non évidents et à la circulation.
- Après avoir heurté un objet étranger, arrêter le moteur, enlever le câble de la bougie d'allumage (ou débrancher le fil des appareils électriques), bien inspecter le produit pour vérifier qu'il n'y a pas de dommage et réparer la défaillance avant de redémarrer et d'utiliser le produit.
- Si le produit se met à vibrer anormalement, arrêter le moteur et en rechercher immédiatement la cause. Les vibrations indiquent généralement l'existence de problèmes.
- Arrêter le moteur à chaque fois qu'on quitte la zone de travail, avant de débloquer la tarière ou le déflecteur de goulotte, et lorsqu'on effectue un réglage, une réparation ou une inspection de la machine.
- Lorsqu'on veut nettoyer, réparer ou inspecter le produit, arrêter le moteur et vérifier que les tarières et toutes les pièces en mouvement s'arrêtent. Débrancher le fil de la bougie et tenir le fil à l'écart de la bougie pour éviter tout démarrage accidentel.
- Ne pas mettre le moteur en marche à l'intérieur, sauf lors du démarrage du moteur et le transport du produit dans ou hors de l'immeuble. Ouvrir les portes; les gaz d'échappement du moteur sont dangereux.
- Faire preuve d'extrême prudence lorsqu'on travaille dans les pentes.
- Ne jamais faire fonctionner la machine sans ses grilles, plaques et autres dispositifs de protection en place et en bon état de fonctionnement.
- Ne jamais diriger le déflecteur de goulotte vers des personnes ou vers des endroits où les éventuelles projections pourraient causer des dégâts. Tenir les enfants et autres personnes à l'écart.
- Ne pas dépasser la capacité du produit en tentant de retirer la neige trop rapidement.
- Ne pas utiliser le produit à des vitesses trop élevées sur des surfaces glissantes. Lorsqu'on recule, regarder derrière soi et se déplacer lentement.

Sécurité de l'aire de travail

- Inspecter minutieusement l'endroit où l'équipement doit être utilisé et retirer tout paillason, traîneau, planche, fil ou autre objet.
- Désengager tous les embrayages et mettre au point mort avant de démarrer le moteur.
- Ne pas faire fonctionner le produit l'hiver sans porter des vêtements adéquats. Éviter les vêtements amples pouvant se prendre dans les pièces en mouvement. Le port de chaussures adéquates améliorera la stabilité sur des surfaces glissantes.
- Manipuler l'essence avec précaution, car elle est hautement inflammable.
 - Utiliser des récipients de carburant approuvés.
 - Ne jamais faire l'appoint en essence lorsque le moteur est en marche ou chaud.
 - Remplir le réservoir de carburant à l'extérieur avec une extrême prudence. Ne jamais faire l'appoint en essence à l'intérieur
 - Ne jamais remplir des contenants de carburant à l'intérieur d'un véhicule ou sur la plateforme d'un camion ou d'une remorque avec une garniture en plastique. Toujours placer les contenants sur le sol loin d'un véhicule avant le remplissage.
 - Autant que possible, retirer tout équipement à essence du camion ou de la remorque et faire le remplissage sur le sol. Quand cela n'est pas possible, faire le remplissage de tels équipements sur une remorque à l'aide d'un bidon portable plutôt qu'à l'aide d'un pistolet distributeur d'essence.
 - Garder le pistolet distributeur en contact avec le bord du réservoir de carburant ou de l'ouverture du bidon à tout moment jusqu'à obtention du plein. Ne pas utiliser de dispositif à ouverture bloquée du pistolet distributeur.
 - Remettre le bouchon de carburant solidement en place et nettoyer le carburant déversé.
 - En cas de déversement de carburant sur les vêtements, changer immédiatement de vêtement.
- Utiliser rallonges et réceptacles conformes à celles spécifiées par le fabricant pour tous les appareils à moteur électrique ou à démarrage électrique.

- Régler la hauteur du carter de tarière afin d'éviter le gravier et les pierres en surface.
- Ne jamais essayer de faire des réglages pendant que le moteur est en marche (sauf là où spécifié par recommandation du fabricant).
- Toujours porter des lunettes ou un masque de protection pour les yeux pendant l'utilisation de la machine ou lorsqu'on effectue un réglage ou une réparation, de sorte à protéger les yeux en cas de projection de corps étrangers.

Équipement de protection personnelle

Toujours s'équiper d'un équipement de protection personnelle approprié lors de l'utilisation de l'outil. Cela comprend, à tout le moins, des souliers résistants, des lunettes de sécurité et un protecteur auriculaire. Cet équipement de protection personnelle n'élimine pas les risques de blessures, mais peut réduire la gravité en cas d'accident.

- Toujours porter des lunettes de sécurité ou tout autre dispositif de protection des yeux lors de l'utilisation de l'outil ou des opérations d'entretien ou de réparations.
- Toujours porter des vêtements hiver approprié lorsqu'on fait fonctionner le produit.
- Utiliser toujours des bottes antidérapantes robustes qui offrent un bon support aux chevilles lors de l'utilisation du produit.
- Ne pas porter de vêtements amples pouvant se prendre dans les pièces en mouvement.
- Utiliser des gants de protection homologués, au besoin. Par exemple, lors de la fixation, de l'examen ou du nettoyage de la lame.
- Toujours utiliser un dispositif de protection homologué pour les oreilles lorsqu'on utilise la machine. Le fait d'entendre du bruit pendant une longue période peut engendrer une perte auditive.

Dispositifs de sécurité sur l'outil

- Faire régulièrement l'entretien sur le produit.
 - Cette précaution augmente la durée de vie utile du produit.
 - Cette précaution réduit le risque d'accident.

Communiquer régulièrement avec un concessionnaire agréé ou à un centre de service après-vente agréé d'examiner le produit pour effectuer les réglages et les réparations.

- Ne pas utiliser un produit avec un équipement de protection endommagé. Si l'outil est endommagé, communiquer avec un centre de service après-vente agréé.

Silencieux

Le silencieux maintient le niveau de bruit au minimum et dirige les gaz d'échappement loin de l'utilisateur.

Ne pas utiliser le produit si le silencieux est manquant ou endommagé. Un silencieux endommagé augmente le niveau sonore et le risque d'incendie.



AVERTISSEMENT : Le silencieux devient très chaud pendant et après utilisation et lorsque le moteur tourne au ralenti. Faire attention à proximité des matériaux inflammables ou des fumées afin d'éviter tout risque d'incendie.

Sécurité – carburant



AVERTISSEMENT : Lire les messages d'avertissement qui suivent avant d'utiliser l'outil.

- Ne pas démarrer l'outil s'il y a du carburant ou de l'huile moteur sur l'outil. Nettoyer le carburant ou l'huile et laisser sécher l'outil.
- Si du carburant se déverse sur les vêtements, changer immédiatement de vêtement.
- Ne pas déverser du carburant sur le corps; cela pourrait causer des blessures. Si du carburant se déverse sur le corps, se nettoyer au savon doux et à l'eau.
- Ne pas démarrer l'outil si le moteur présente une fuite. Vérifier régulièrement le moteur à la recherche de fuites.
- Faire preuve de prudence lors de la manipulation du carburant. Celui-ci est inflammable et ses vapeurs sont explosives et peuvent causer des blessures ou la mort.
- Ne pas respirer les vapeurs de carburant, car elles peuvent causer des blessures. Vérifier que la ventilation est suffisante.
- Ne pas fumer à proximité du carburant ou du moteur.
- Ne pas placer des objets chauds à proximité du carburant ou du moteur.
- Ne pas faire le plein de carburant lorsque le moteur tourne.
- Vérifier que le moteur est froid avant de faire le plein.
- Avant de faire le plein, ouvrir lentement le couvercle du réservoir de carburant et relâcher la pression avec précaution.
- Ne pas faire le plein dans une pièce fermée. Un débit d'air insuffisant peut entraîner des blessures ou la mort en raison d'une asphyxie ou du monoxyde de carbone.
- Serrer fermement le couvercle du réservoir de carburant. Si le couvercle du réservoir de carburant n'est pas bien serré, il y a un risque d'incendie.
- Avant de démarrer l'outil, le déplacer à au moins 3 m (10 pi) de la position où le plein de carburant a été fait.
- Ne jamais remplir le réservoir de carburant complètement. La chaleur provoque une dilatation

du carburant. Laisser un espace dans la partie supérieure du réservoir de carburant.

Avertissement relatif aux produits chimiques



AVERTISSEMENT : Les gaz d'échappement du moteur de cet appareil contiennent des substances chimiques considérées par l'État de la Californie comme étant cancérigènes et susceptibles de causer des malformations congénitales et autres effets nuisibles sur les organes reproducteurs. Pour obtenir de plus amples renseignements, consulter l'adresse www.P65Warnings.ca.gov.

Consignes de sécurité pour la maintenance



AVERTISSEMENT : Lire les messages d'avertissement qui suivent avant d'utiliser l'outil.

- Les gaz d'échappement du moteur contiennent du monoxyde de carbone, un gaz inodore, toxique

Montage



AVERTISSEMENT : Lire et comprendre le chapitre sur la sécurité avant d'assembler le produit.

Installation des poignées

1. Retirer les 4 boulons à bride (A) M8x25 du boîtier.
2. Utiliser les 4 boulons à bride (A) M8x25, les 4 entretoises à ressort (B) et les 4 entretoises plates (C).
3. Installer la poignée inférieure (D) dans les 2 trous situés de chaque côté du carter. (Fig. 26)
4. Utiliser les 3 boulons de blocage de poignée M8x50 (A), les 3 entretoises (B), les 3 poignées de levier (C), ainsi que les 3 écrous de blocage (D).
5. Installer la poignée supérieure avec le panneau de commande (E) sur la poignée inférieure. (Fig. 27)

Pour assembler le déflecteur de goulotte

1. Retirer le rotateur du disque (B) et les 6 boulons à bride à tête hexagonale (D) du boîtier.
2. Fixer le rotateur du disque (B) et le déflecteur de goulotte (A) sur la base de la goulotte avec 3 butées (C).
3. Avec 6 boulons à bride hexagonal (D) et 6 contre-écrous (E) pour bloquer les butées (C). (Fig. 28)

et très dangereux. Ne pas démarrer le moteur à l'intérieur ou dans des espaces fermés.

- Avant d'effectuer un entretien sur le produit, arrêter le moteur et retirer le câble d'allumage de la bougie.
- Utiliser des gants de protection lors des opérations d'entretien sur le produit. Les lames sont affûtées et des coupures peuvent se produire facilement.
- Les accessoires et les modifications apportées au produit qui ne sont pas approuvés par le fabricant peuvent causer des blessures graves, voire mortelles. Ne pas modifier l'outil. Toujours utiliser des accessoires homologués par le fabricant.
- Si l'entretien n'est pas effectué correctement et régulièrement, le risque de blessures et de dommages sur l'outil augmente.
- N'effectuer que les travaux d'entretien indiqués dans ce manuel d'utilisation. Tous les autres travaux d'entretien doivent être effectués par un agent d'entretien agréé.
- Demander à un agent d'entretien agréé d'effectuer régulièrement l'entretien de l'outil.
- Remplacer les pièces endommagées, usées ou brisées.

Pour assembler le rotateur de goulotte

1. Assembler l'extrémité avant du rotateur de goulotte.
2. Installer la bague en plastique (B) à l'extrémité avant du rotateur de goulotte.
3. Fixer le rotateur de goulotte avec 1 entretoise plat (A) et 1 goupille fendue (C). (Fig. 29)
4. Assembler l'extrémité arrière du rotateur de goulotte.
5. Utiliser 1 contre-écrou M8 (A), 1 poignée de verrouillage en plastique (B), 2 entretoises de courbe (C) et 1 niveau de vis (D) pour monter le rotateur de goulotte.
6. Utiliser 1 écrou hexagonal M8 (E) pour fixer le rotateur de goulotte (F) dans les trous de la poignée. (Fig. 30)

Pour assembler la tige de commande de vitesse d'entraînement

1. Installer la longue extrémité courbée de la tige de commande de vitesse d'entraînement (A) sur le panneau de commande, et fixez-la à l'aide d'un ressort de tige de raccordement (B), 1 entretoise plate (C) et 1 goupille fendue (D). (Fig. 31)
2. Tirer la plaque de connexion de commande de vitesse (B) vers le haut et installer l'extrémité courbée courte de la tige de commande de vitesse d'entraînement (A). Fixer la tige de commande de vitesse d'entraînement (A) avec 1 entretoise plate (C) et 1 goupille fendue (D). (Fig. 32)

3. Au besoin, retirer la tige de commande de vitesse d'entraînement. Desserrer les écrous de blocage de la tige de tension et tourner le tendeur. Serrer le tendeur à son emplacement d'origine pour régler la commande de vitesse. L'emplacement d'origine est marqué sur le filetage. (Fig. 33)

Pour remonter la tarière et les câbles d'entraînement

1. Retirer les 2 boulons de vis de câble (B) des câbles (D).

2. Fixer les 2 boulons de vis de câble (B) dans les trous sur les poignées de gauche et de droite (A). (Fig. 34)
3. Fixer les câbles (D) sur les boulons de vis de câble (B).
4. Connecter et verrouiller l'insert de filetage de câble de droit et de gauche (D) et le boulon de vis de câble (B) jusqu'à ce que le haut du contre-écrou en laiton (C) s'aligne avec le repère sur le filetage (E).
5. Verrouiller le câble en laiton au moyen du contre-écrou (C).

Fonctionnement



AVERTISSEMENT : Avant d'utiliser la machine, veuillez lire et comprendre le chapitre sur la sécurité et les instructions d'utilisation.

Avant de démarrer le produit

- Tenir les personnes et les animaux à l'écart de la zone de travail.
- Effectuer l'entretien quotidien. Voir *Calendrier d'entretien à la page 47*.
- S'assurer que le câble d'allumage se loge correctement sur la bougie.
- Ajouter de l'huile ou de l'essence, au besoin. Voir *Remplissage du moteur avec de l'huile à la page 45*.

Remplissage du moteur avec de l'huile



MISE EN GARDE : Ne pas tourner la jauge d'huile lorsqu'on vérifie l'huile. Ne pas remplir au-dessus du repère.

1. Retirer le bouchon d'huile et nettoyer la jauge d'huile. Voir *Présentation de la machine à la page 38* pour l'emplacement de la jauge.
2. Remplir d'huile jusqu'à la marque supérieure de la jauge d'huile. Utiliser la jauge pour vérifier le niveau d'huile périodiquement.
3. Remettre le bouchon du réservoir d'huile en place.

Faire le plein

Si disponible, utiliser de l'essence à faibles émissions ou un alkylat. Si aucune essence à faibles émissions ou aucun alkylat n'est disponible, utiliser de l'essence sans plomb de bonne qualité. Utiliser de l'essence avec un indice d'octane de 90 RON hors de l'Amérique du Nord (87 (R+M)/2 en Amérique du Nord) ou plus élevé, et avec un maximum de 10 % d'éthanol (E10).



MISE EN GARDE : Ne pas utiliser d'essence avec un indice d'octane inférieur à 90 RON hors de l'Amérique du Nord

(87 (R+M)/2 en Amérique du Nord). Cela pourrait endommager le produit.

1. Ouvrir le bouchon du réservoir de carburant lentement pour libérer la pression.
2. Remplir le réservoir lentement avec un bidon de carburant. En cas de déversement de carburant, le nettoyer avec un chiffon et laisser le reste du carburant sécher.
3. Nettoyer la zone autour du bouchon du réservoir de carburant.
4. Serrer fermement le couvercle du réservoir de carburant. Si le couvercle du réservoir de carburant n'est pas bien serré, il y a un risque d'incendie.
5. Avant de démarrer l'outil, le déplacer à au moins 3 m (10 pi) de la position où le plein de carburant a été fait.

Pour régler le déflecteur de goulotte

Le sens de projection de la neige est contrôlée par le module de commande du rotateur de goulotte, est installé sur la poignée du côté gauche.

1. Faire pivoter le module de commande du rotateur de goulotte pour régler le sens de rotation des projections de la neige projetée.
2. Faire pivoter le module de commande du rotateur de goulotte dans le sens horaire pour projeter la neige vers la droite.
3. Faire tourner le module de commande du rotateur de goulotte dans le sens inverse des aiguilles d'une montre pour projeter la neige vers la gauche. (Fig. 35)
4. Déplacer le déflecteur d'angle vers le haut ou vers le bas pour régler la distance de projection de la neige. (Fig. 36)

Démarrage du moteur

1. Relâcher l'engagement de l'entraînement. Placer le levier de commande de vitesse d'entraînement à la première position.
2. Placer le commutateur de démarrage du moteur à la position ON (marche). (Fig. 37)

3. Tourner l'étrangleur à la position FERMÉ. (Fig. 38)
4. Placer l'interrupteur ON/OFF (marche/arrêt) à la position MARCHE. (Fig. 39)
5. Appuyer la pompe d'amorçage 1 à 3 fois pour démarrer la pompe de suralimentation. Utiliser la pompe de suralimentation pour le démarrage à froid à basse température. (Fig. 40)
6. Tirer la poignée du lanceur à enrouleur. (Fig. 41)



MISE EN GARDE : Ne pas relâcher la poignée du lanceur brusquement. La ramener délicatement à la position de départ.

Remarque : Si la poignée du lanceur a gelé, tirer doucement la corde du lanceur autant que possible et relâcher la poignée du lanceur. Si le moteur ne démarre pas, répéter la procédure ou utiliser le démarreur électrique.

7. Faire tourner le moteur 30 à 40 secondes au ralenti avant de commencer à projeter la neige.
8. Lorsque le moteur est chaud, déplacer lentement le levier de l'étrangleur à la position OUVERT. (Fig. 42)

Pour démarrer le moteur, démarrage électrique



AVERTISSEMENT : le produit est équipé d'un démarreur électrique de 120 VCA. N'utilisez pas le démarreur électrique si votre domicile ne possède pas un circuit 120 VCA avec une mise à la terre correcte. Cela pourrait entraîner des blessures corporelles graves ou des dommages au produit. Le démarreur électrique est équipé d'une prise d'alimentation à trois broches et est conçu pour un courant domestique de 120 volts c.a.. Assurez-vous que votre domicile comporte un circuit 120 VCA avec une mise à la terre correcte. En cas de doute, demandez à un électricien agréé.

Remarque : utilisez une rallonge recommandée pour une utilisation en extérieur avec un fil d'au moins 1,5 mm² (16 AWG) ne dépassant pas 15 m (50 pieds) de long.

1. Relâchez l'engagement de la transmission. Placer le levier de commande de vitesse d'entraînement à la première position.
2. Placez l'interrupteur de carburant en position ON (marche). (Fig. 37)
3. Tourner l'étrangleur à la position FERMÉ. (Fig. 38)
4. Appuyez sur la clé marche/arrêt pour la placer en position RUN (marche). (Fig. 39)

5. Poussez 1 à 3 fois l'amorceur pour démarrer la pompe de charge. Utilisez la pompe de charge en cas de démarrage à froid par temps froid. (Fig. 40)
6. Brancher le produit à l'alimentation. (Fig. 43)
7. Presser et maintenir le bouton de démarrage situé sur le boîtier de commande pendant 5 secondes. (Fig. 44)
8. Si le moteur ne démarre pas, attendre 5 secondes avant d'appuyer de nouveau sur le bouton de démarrage.



MISE EN GARDE : Ne pas essayer de démarrer le moteur plus de 10 fois. Au bout de 10 fois, attendre 40 minutes avant d'essayer de nouveau.

9. Débranchez le cordon d'alimentation du produit lorsque le moteur a démarré.
10. Faites tourner le moteur au ralenti pendant 30 à 40 secondes avant de commencer à projeter de la neige.
11. Lorsque le moteur est chaud, déplacez lentement le starter en position ouverte. (Fig. 42)

Utilisation de la machine

1. Serrer la poignée d'engagement de la tarière pour engager la tarière et projeter la neige. (Fig. 45)
2. Déplacer le levier de commande de vitesse d'entraînement vers la gauche pour faire fonctionner le produit vers l'avant. Déplacer le levier de commande de vitesse d'entraînement vers la droite pour faire fonctionner le produit vers l'arrière. (Fig. 46)
3. Faire tourner l'engagement de l'entraînement au moyen de la poignée de droite.
4. Appuyer sur l'engagement de l'entraînement sur la poignée pour engager les roues d'entraînement. Le produit se déplace vers l'avant ou arrière en fonction de l'emplacement du levier de commande de vitesse d'entraînement. (Fig. 47)

Arrêt de la machine

Remarque : Pour couper le moteur en cas d'urgence, tirer l'interrupteur ON/OFF (marche/arrêt).

1. Relâcher l'engagement de l'entraînement pour arrêter les roues d'entraînement.
2. Relâcher l'engagement de la tarière pour désengager la tarière et arrêter de projeter la neige. (Fig. 48)
3. Placer le commutateur de carburant à la position OFF (arrêt). (Fig. 49)
4. Tirer l'interrupteur ON/OFF (marche/arrêt). (Fig. 50)

Pour obtenir un bon résultat

- Toujours faire tourner le moteur à plein régime ou presque à plein régime.
- Toujours adapter la vitesse du produit aux circonstances relatives à la neige et adapter la vitesse au moyen du levier de commande de vitesse d'entraînement. S'assurer que le produit projette la neige de façon uniforme.
- Il est plus facile et plus efficace d'éliminer la neige immédiatement après la chute.
- Toujours projeter la neige dans la direction du vent autant que possible.
- Sur les surfaces planes, comme les routes asphaltées, relever la barre de protection de 5 à 6 mm (de 0,2 à 0,25 po) à partir du sol.
- La barre de racleur est réversible. Quand elle est usée et s'approche de l'extrémité du carter, l'inverser. Remplacer la barre de racleur si elle est endommagée ou si les deux côtés sont usés.
- Ne pas régler le déflecteur de goulotte s'il est encrassé.
- Si le produit ne se déplace pas vers l'avant en raison de circonstances exceptionnelles, relâcher immédiatement l'engagement de l'entraînement ou tourner la clé ON/OFF (marche/arrêt) en position OFF (arrêt).

Entretien

Calendrier d'entretien

Entretien	Quotidien	20 heures	50 heures	100 heures
S'assurer que les écrous et les vis sont serrés	X			
Vérifier le niveau d'huile moteur	X			
Remplacer l'huile ¹³		X	X	X
S'assurer qu'il n'y a pas de fuites de carburant ou d'huile	X			
Retirer les obstructions et les corps étrangers de la tarière	X			
Vérifier la pression des pneus ¹⁴			X	
Inspecter et remplacer la bougie ¹⁵				X

Remarque : Il n'est pas nécessaire d'ajouter de la graisse ou d'effectuer d'autres entretiens sur la boîte de vitesses.

Pour effectuer une inspection générale

- S'assurer que tous les écrous et toutes les vis sur le produit sont serrés correctement.

¹³ Remplacer l'huile après les 20, 50 et 100 premières heures puis toutes les 100 heures.

¹⁴ Voir la section sur les caractéristiques techniques pour connaître la bonne pression des pneus.

¹⁵ Contrôler et nettoyer la bougie avant l'utilisation chaque année.

Vérification du niveau d'huile



MISE EN GARDE : Un niveau d'huile trop faible peut causer des dommages au moteur. Vérifier le niveau d'huile avant d'utiliser le produit.

1. Placer le produit sur un sol plat.

2. Retirer le bouchon du réservoir d'huile avec la jauge d'huile.
3. Nettoyer l'huile sur la jauge d'huile.
4. Insérer entièrement la jauge dans le réservoir d'huile pour obtenir une estimation appropriée du niveau d'huile.
5. Retirer la jauge d'huile.
6. Examiner le niveau d'huile sur la jauge d'huile.
7. Si le niveau d'huile est trop bas, remplir avec de l'huile moteur et vérifier de nouveau le niveau d'huile.

- Si la bougie d'allumage est sale, la nettoyer et s'assurer que l'écartement des électrodes est correct, se reporter à la section *Caractéristiques techniques à la page 53*. (Fig. 52)
- Remplacer la bougie d'allumage au besoin.

Inspection des tarières et de la barre de racleur

1. Avant chaque utilisation, vérifier la tarière et la barre de racleur pour détecter tout signe d'usure.
2. Si le bord de la barre de racleur est usé, inverser la barre de racleur. Si la barre de racleur est endommagée ou est usée des deux côtés, la remplacer.
3. Si les bords de la tarière sont usés, communiquer avec un centre de service agréé pour les remplacer.

Réglage des plaques de protection

Les plaques de protection préviennent les dommages à la partie inférieure de la souffleuse à neige. Régler les plaques de protection (A) lorsque le contre-écrou (B) est desserré, ou si la plaque de protection n'est pas à la bonne distance du sol. Aucun réglage n'est nécessaire pour l'installation normale.

1. Desserrer le contre-écrou (B) à l'aide d'une clé plate de 13 mm (1/2 po).
2. Déplacer les plaques de protection (A) vers le haut ou vers le bas.
 - a) Sur des surfaces planes, régler la distance entre la barre de racleur et le sol à 5 à 6 mm (0,2 à 0,25 po).
 - b) Sur les surfaces rugueuses, régler les plaques de protection (A) de telle manière que la barre de racleur se situe au-dessus du haut du sol.



AVERTISSEMENT : Veiller à que du gravier et des pierres n'entrent pas dans le produit. Les objets éjectés à grande vitesse peuvent causer des blessures.

3. Serrer le contre-écrou (B). (Fig. 53)

Remplacement des goupilles de cisaillement

La goupille de cisaillement protège le produit contre les dommages. Elle se casse si un objet étranger pénètre dans les pièces mobiles.

1. Si la goupille de cisaillement se casse, arrêter le moteur.
2. Fixer une nouvelle goupille de cisaillement (A) et un nouveau ressort de collier (B). (Fig. 54)

Pour examiner les pneus

- Maintenir les pneus exempts de carburant et d'huile pour éviter d'endommager le caoutchouc.

Vidange de l'huile

1. Faire tourner le moteur quelques minutes pour faire chauffer l'huile. L'huile chaude s'écoule plus facilement et emporte avec elle plus de contaminants.



AVERTISSEMENT : L'huile moteur est chaude. Éviter tout contact entre la peau et l'huile moteur usagée.

2. Placer le produit sur un sol plat.
3. Faire tourner le moteur jusqu'à ce qu'il n'y ait plus d'essence.
4. Retirer la clé d'allumage.
5. Placer un récipient sous le bouchon de vidange d'huile.
6. Retirer le bouchon de vidange d'huile, orienter le produit vers l'arrière et vidanger l'huile usagée dans le conteneur. (Fig. 51)
7. Replacer le produit à la position de fonctionnement.
8. Installer le bouchon de vidange d'huile et serrer bien à la main.
9. Remplir le moteur d'huile, voir *Remplissage du moteur avec de l'huile à la page 45*.

Vérification de la bougie d'allumage



MISE EN GARDE : Toujours utiliser une bougie d'allumage du type recommandé. Une bougie d'allumage de type inapproprié peut endommager le produit.

- Examiner la bougie d'allumage si le moteur manque de puissance, démarre difficilement ou ne fonctionne pas correctement au régime de ralenti.
- Afin de réduire le risque de matériau indésirable sur les électrodes de la bougie, respecter les consignes suivantes :
 - a) Vérifier que le régime de ralenti est réglé de façon adéquate.
 - b) Vérifier que le type de carburant est correct.
 - c) Vérifier que le filtre à air est propre.

- Maintenir les pneus à l'écart de souches, de pierres, d'ornières, d'objets pointus et de tout autre objet pouvant les endommager.
- Maintenir la pression correcte des pneus, voir *Caractéristiques techniques à la page 53*.

Dégagement d'un déflecteur de goulotte d'éjection bouché

Ne pas déboucher le déflecteur de la goulotte d'éjection avant d'avoir exécuté les opérations suivantes.

1. Relâcher simultanément l'engagement de la tarière et celui de l'entraînement.
2. Attendre 10 secondes pour s'assurer que les tarières sont arrêtées.
3. Éteindre le produit.
4. Utiliser l'outil de nettoyage (au moins 37 cm [15 po] de long, inclus avec certains modèles) pour retirer l'obstruction.



AVERTISSEMENT : Ne pas placer les mains dans le déflecteur de la goulotte d'éjection ou à l'intérieur du godet à tarière.

Pour nettoyer l'outil

- Nettoyer les pièces en plastique à l'aide d'un chiffon propre et sec.
- Ne pas utiliser de nettoyeur à haute pression pour nettoyer la tondeuse.
- Ne pas verser de l'eau directement sur le moteur.
- Utiliser une brosse pour enlever les feuilles, l'herbe et la saleté.

Dépannage

Dépannage

Problème	Cause possible	Solution
L'outil ne démarre pas	La clé de démarrage de sécurité n'est pas insérée.	Insérer la clé de de démarrage de sécurité.
	Le produit est en panne de carburant.	Remplir le réservoir de carburant avec de l'essence fraîche et propre.
	L'interrupteur ON/OFF (marche/arrêt) est à la position OFF (Arrêt).	Placer l'interrupteur ON/OFF (marche/arrêt) à la position ON (marche).
	L'étrangleur est à la position OFF (Arrêt, fermé).	Déplacer l'étrangleur à la position ON (Marche, complètement ouvert).
	L'amorceur n'est pas enfoncé.	Appuyer sur l'amorceur.
	Le moteur est noyé.	Attendre quelques minutes avant de redémarrer, NE PAS purger. Redémarrer le moteur à plein régime avec l'étrangleur à la position OFF (Arrêt, fermé).
	Le fil de la bougie d'allumage n'est pas connecté.	Connecter le fil à la bougie d'allumage.
	La bougie d'allumage est défectueuse.	Remplacer la bougie d'allumage
	Il y a de l'eau dans le carburant ou le carburant est trop vieux.	Vider le réservoir de carburant et le carburateur. Remplir le réservoir de carburant avec de l'essence fraîche et propre.
	Il y a de la vapeur dans la conduite de carburant.	S'assurer que toute la conduite d'alimentation en carburant est en dessous de la sortie du réservoir de carburant. La conduite d'alimentation en carburant doit fonctionner en permanence entre le réservoir de carburant et le carburateur.
	Autres causes.	Lire attentivement les méthodes de démarrage de ce manuel.
	Le commutateur de carburant (selon l'équipement) est à la position CLOSE (arrêt).	Placer le commutateur de démarrage du moteur à la position ON (marche).
La commande d'accélération est à la position STOP (Arrêt).	Déplacer la commande d'accélérateur à la position FAST (Rapide).	

Problème	Cause possible	Solution
Puissance réduite	Le fil de la bougie d'allumage n'est pas connecté.	Connecter le fil à la bougie d'allumage.
	Le produit rejette trop de neige.	Réduire la vitesse et la largeur de l'andain.
	Le couvercle du réservoir de carburant est recouvert de glace ou de neige.	Retirer la glace et la neige sur et autour du couvercle du réservoir de carburant.
	Le silencieux est sale ou bouché.	Nettoyer ou remplacer le silencieux.
	Mauvaise longueur de câble.	Régler le câble.
	Le silencieux est obstrué.	Vérifier que le moteur est froid. Retirer l'obstruction.
	La prise d'air d'admission du carburateur est obstruée.	Vérifier que le moteur est froid. Retirer l'obstruction.
Le moteur tourne au ralenti ou ronfle	L'étrangleur est à la position ON (Marche, complètement ouvert).	Déplacer l'étrangleur à la position OFF (Arrêt, fermé).
	La conduite de carburant est obstruée.	Nettoyer la conduite de carburant.
	Il y a de l'eau dans le carburant ou le carburant est trop vieux.	Vider le réservoir de carburant et le carburateur. Remplir le réservoir de carburant avec de l'essence fraîche et propre.
	Le carburateur doit être remplacé.	Communiquer avec un centre de réparation agréé
	La courroie est tendue.	Remplacer la courroie trapézoïdale de la tarière.
Vibrations/Mouvements excessifs de la poignée	Certaines pièces sont desserrées. Les tarières sont endommagées.	Serrer tout le matériel de fixation. Remplacer les pièces endommagées. Si la vibration persiste, communiquer avec un centre de service agréé.
	Les poignées ne sont pas correctement positionnées.	Assurez-vous que les poignées sont verrouillées en position.
	Les écrous du levier de réglage sont desserrés.	Serrer les écrous jusqu'à ce que la poignée soit sécuritaire.
La poignée du lanceur est difficile à tirer	La poignée du lanceur est gelée.	Tirer doucement la corde du lanceur autant que possible et relâcher la poignée du lanceur. Si le moteur ne démarre pas, répéter la procédure ou utiliser le démarreur électrique.
	La corde interfère avec les organes.	La corde du lanceur ne doit toucher aucun câble ni aucune durite.

Problème	Cause possible	Solution
Perte de traction/ralentissement de la vitesse d'entraînement Perte de décharge ou ralentissement de la décharge de neige	La courroie glisse.	Régler le câble. Régler la courroie.
	La courroie est usée.	Vérifier/remplacer la courroie.
	La courroie est sortie de la poulie.	Vérifier/réinstaller la courroie.
	Le déflecteur de goulotte est obstrué.	Nettoyer le déflecteur de goulotte.
	Des corps étrangers obstruent les tarières.	Retirer les débris ou le corps étranger des tarières.
	La goupille de cisaillement n'est pas brisée.	Remplacer la goupille de cisaillement brisée.
	Accumulation excessive de neige et de glace entre les composants de la chenille.	Retirer la neige et la glace entre les composants de la chenille.
	La roue d'entraînement de friction est usée.	Communiquer avec un centre de réparation agréé
Échec de rotation de la tarière après le relâchement de la poignée	La courroie d'entraînement n'est pas alignée.	Régler la courroie d'entraînement
	Le déflecteur d'éjection est pas aligné.	Régler le déflecteur d'éjection.
L'éclairage n'est pas aligné (selon l'équipement)	Le moteur ne tourne pas.	Démarrer le moteur.
	Le branchement du fil est desserré.	Vérifier les branchements électriques au niveau du moteur et des feux.
	La DEL est brûlée.	Remplacer le module d'éclairage à DEL. Il n'est pas possible de remplacer des DEL distinctes.
Le rotateur de goulotte est difficile à déplacer	Il y a des débris dans le mécanisme du rotateur de goulotte.	Nettoyer la partie interne du mécanisme du rotateur de réception.
	Câbles déformés ou endommagés.	S'assurer que les câbles ne sont pas endommagés. Remplacer les câbles endommagés.
Le produit tourne d'un seul côté.	La pression des pneus n'est pas égale.	Régler la pression des pneus et gonfler le pneu.
	Le produit est entraîné par une seule roue.	Inspecter la goupille de blocage des pneus.
	Réglage irrégulier du traîneau.	Régler les plaques de protection et le traîneau.
	Réglage irrégulier des plaques de protection.	Régler les plaques de protection et le traîneau.

Transport, entreposage et mise au rebut

Transport et entreposage

- Pour le stockage et le transport du produit et du carburant, s'assurer qu'il n'y a pas de fuite ou de vapeur. Les étincelles ou les flammes nues, par exemple avec des appareils électriques ou des chaudières, peuvent démarrer un incendie.

- Utiliser toujours des contenants agréés pour entreposer ou transporter le carburant.
- Vider le réservoir de carburant avant de ranger le produit pour une période prolongée.
- Si la cuve du carburateur est équipée d'un bouchon de vidange, vider le carburateur de carburant avant de remettre le produit durant une longue période.

- Immobiliser le produit en sécurité pendant le transport pour éviter tout dommage ou accident.
- Garder le produit dans un endroit verrouillé hors de portée des enfants et des personnes non autorisées.
- Conserver le produit dans un endroit sec à l'abri du gel.
- Mettre au rebut tous les produits chimiques, tels que l'huile moteur ou le carburant, dans un centre de service ou à un emplacement de mise au rebut adéquat.
- Mettre le produit au rebut dans un emplacement de mise au rebut approuvé ou l'envoyer à Husqvarna pour la mise au rebut.

Mise au rebut

- Respecter les exigences locales et la réglementation en vigueur.

Données techniques

Caractéristiques techniques

ST 124	
Dimensions	
Poids, avec réservoirs vides, kg	76
Pression de fonctionnement des pneus maximale, PSI	20
Hauteur d'admission, cm	53,3
Largeur de travail, cm	61
Moteur	
Marque	Husqvarna
Puissance nominale du moteur, kW	4,3
Cylindrée, cm ³	212
Type de carburant	Régulier sans plomb (maximum 10 % d'éthanol)
Contenance de carburant, gal/l	0,58 / 2,2
Type d'huile (API SJ-SN)	SAE 5W-30 (en dessous de 0 °C / 32 °F)
Capacité du réservoir d'huile, oz liq/l	20/0,6
Système électrique	
Bougie	F7RTC
Bougie, écartement des électrodes (po / mm)	0,027–0,031 / 0,7–0,8
Émissions sonores ¹⁶	
Niveau de puissance sonore mesuré dB (A)	100
Niveau de puissance sonore, garanti L _{WA} dB(A)	102

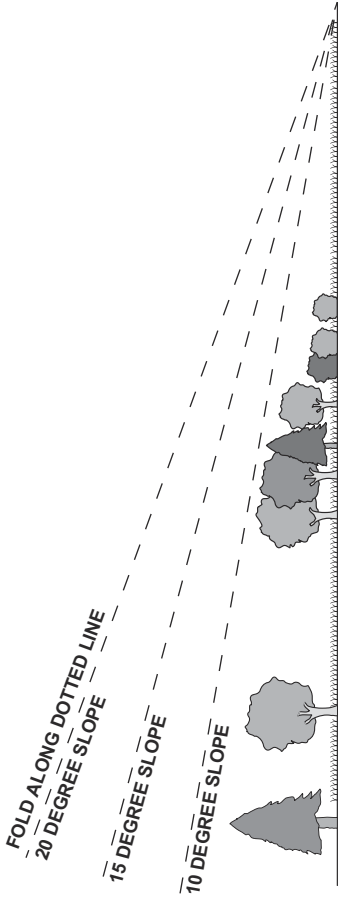
¹⁶ Émission du bruit dans l'environnement mesurée en tant que puissance acoustique (L_{WA}) conforme aux directives européennes 2000/14/EC et 2005/88/EC. Les données reportées pour le niveau d'émissions sonores montrent une dispersion statistique type (déviation standard) de 1,5 dB(A). Incertitude=1,5 dB(A)

	ST 124
Niveaux sonores ¹⁷	
Niveau de pression sonore à l'oreille des opérateurs, L _{PA} mesuré dB(A)	86
Niveaux de vibration, a_{hveq} ¹⁸	
Niveau de vibrations sur la poignée, gauche / droite	4,15 / 4,08

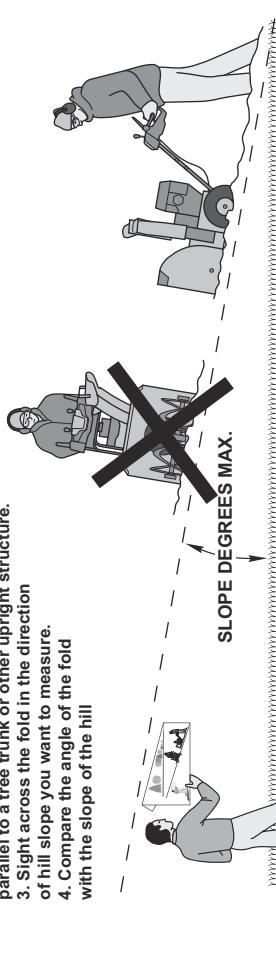
¹⁷ Niveau de pression sonore selon la norme EN ISO 11201. Les données reportées pour le niveau de pression sonore montrent une dispersion statistique type (déviation standard) de 1,5 dB(A). Incertitude=1,5 dB(A)

¹⁸ Niveau de vibrations selon la norme ISO 8437-4, Annexe B. Incertitude=1,5 m/s²

SUGGESTED GUIDE FOR SIGHTING SLOPES FOR SAFE OPERATION



1. Fold this page along dotted line indicated above.
2. Hold page before you so that its left edge is vertically parallel to a tree trunk or other upright structure.
3. Sight across the fold in the direction of hill slope you want to measure.
4. Compare the angle of the fold with the slope of the hill



WARNING: To avoid serious injury, operate your unit with extreme caution, especially on slopes. Do not exceed the slope greater than what is listed in your operator's manual. Make turns gradually to prevent tipping or loss of control. Exercise extreme caution when changing direction on slopes. Do not operate near drop-offs, ditches, or embankments. Keep at least the width of the machine away from these hazards. Failure to follow these warnings could lead to death or serious injury.

Original instructions
Instrucciones originales
Instructions d'origine

5985407-01



2024-04-09